



Count on it.

Parts Catalog

**TX 427 Wide Track
Compact Tool Carrier**

Model No. 22322—Serial No. 405700000 and Up



Ordering Replacement Parts

To order replacement parts, please supply the part number, the quantity, and the description of each part desired.

Understanding Reference Numbers

Each identified part in an illustration has a reference number. The reference number for a part also appears in the parts list, along with other information about the part.

This catalog uses two special reference number formats, one to indicate parts in a service assembly and another to indicate the quantity of a given part in an illustration.

Service Assembly Reference Numbers

Parts in service assemblies have reference numbers in the form a:b. The a represents the reference number of the entire service assembly and the b represents a sequential number unique to each part within the service assembly.

For example, a wheel assembly might be identified by reference number 6, the tire by 6:1, the valve by 6:2, and the wheel by 6:3. When you order the assembly identified by reference number 6, you receive all parts identified by reference numbers 6:1, 6:2, and 6:3. However, you may also order any part individually. Reference numbers of this type appear in illustration and in parts lists.

Reference Numbers Indicating Quantity

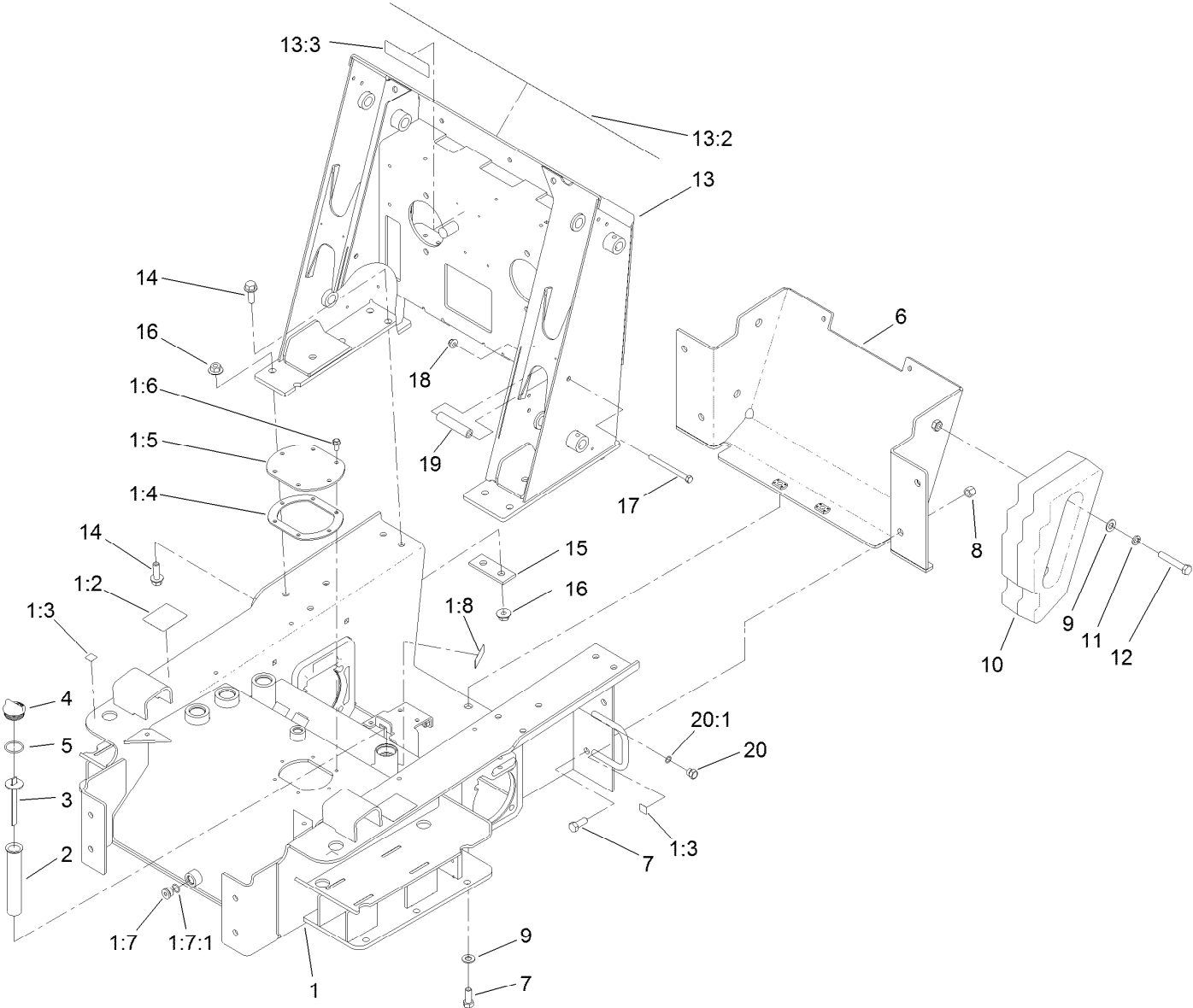
In an illustration, if a reference number indicates more than one part, the reference number has the form nX y. The n represents the quantity of the part, the X is the multiplication symbol, and the y represents the reference number.

For example, in an illustration, the reference number 2X 37 means that two of the parts identified by reference number 37 are indicated.

Contents

Main Frame Assembly	4
Grill, Side Cover and Counterweight Assembly	6
Engine, Exhaust and Control Lever Assembly	8
Fuel Tank and Carbon Canister Assembly	10
Air Cleaner Mount Assembly	12
Air Cleaner Assembly No. 93-2190	14
Hydraulic Pump Mount Assembly	16
Hydraulic Pump Assembly No. 106-7650	18
Traction Hydraulic Assembly	20
Hydraulic Pump Assembly No. 106-5705 and 106-5706	22
Hydraulic Motor Assembly No. 114-1756	24
Main Hydraulic Assembly	26
One Spool Valve Assembly No. 104-2831	28
Two Spool Valve Assembly No. 106-9307	30
Hydraulic Pump Pulley Assembly	32
Track and Traction Assembly	34
Control Panel Assembly	36
Traction Control Assembly	38
Control Handle and Reference Bar Assembly	40
Brake Handle and Bracket Assembly	42
Wire Harness, Temperature Sensor and Shield Assembly	44
Battery, Key Switch and Fuel Gauge Assembly	46
Loader Arm Assembly	48
Loader Arm Hydraulic Assembly	50
Hydraulic Cylinder Assembly No. 139-0778	52
Hydraulic Cylinder Assembly No. 139-0776	54
Hydraulic Cylinder Assembly No. 139-0777	56
Quick Attach Assembly	58
Heat Exchanger Assembly	60
Hood and Fan Assembly	62
Attachments and Accessories	64

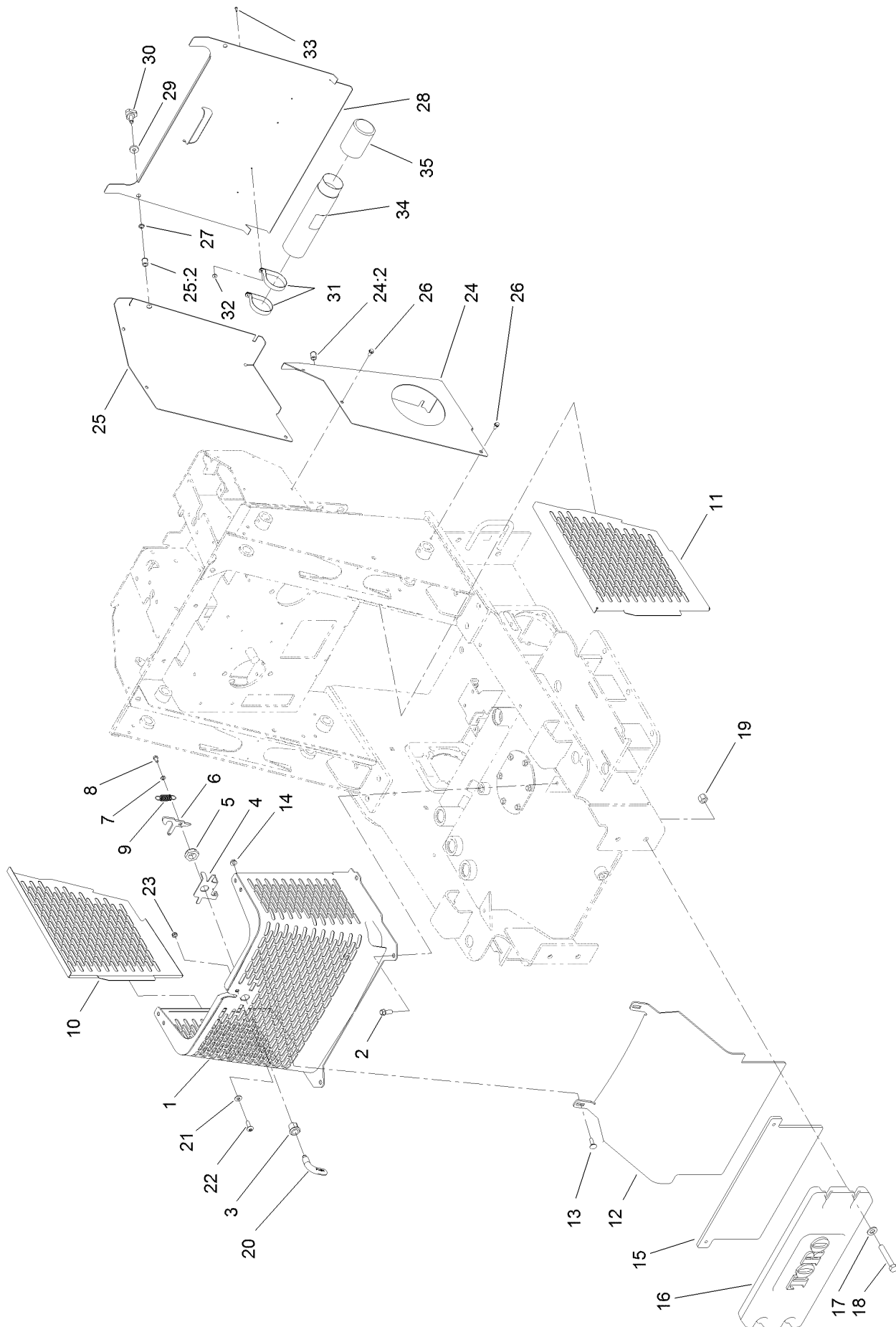
Main Frame Assembly



Main Frame Assembly (continued)

<i>Ref.</i>	<i>Part Number</i>	<i>Qty.</i>	<i>Description</i>	<i>Ref.</i>	<i>Part Number</i>	<i>Qty.</i>	<i>Description</i>
1	114-1352	1	Chassis ASM	9	3256-26	6	Washer-Flat
1:2	100-4650	2	Decal-Warning	10	99-6165-01	2	Counterweight-Rear
1:3	93-9084	4	Decal-Point, Lift	11	3253-7	4	Washer-Lock
1:4	107-3557	1	Gasket-Cover, Access	12	325-12	4	Screw-HH
1:5	108-6297-01	1	Cover-Tank	13	117-9982	1	Loader Tower ASM
1:6	98-9940	6	Screw-HHF	13:2	138-0799	1	Decal-Panel, Control
1:7	353-988	2	Plug-Hex	13:3	93-7814	1	Decal-Danger
1:7:1	237-79	1	O-Ring	14	100-6116	10	Screw-HHF
1:8	93-6686	1	Decal-Oil, HYD	15	100-6123-01	2	Plate-Stiffener
2	61-2790	1	Filter-Screen	16	32128-52	10	Nut-Lock, Flange
3	100-2097	1	Dipstick-Oil	17	323-23	2	Screw-HH
4	93-7498	1	Plug-Plastic	18	104-8301	2	Nut-HF, NI
5	237-101	1	O-Ring	19	100-1271	2	Tube-Spacer
6	115-4565-01	1	Cover-Rear	20	353-508	1	Plug-HH
7	325-5	6	Screw-HH	20:1	237-42	1	O-Ring
8	3296-23	4	Nut-Lock, NI				

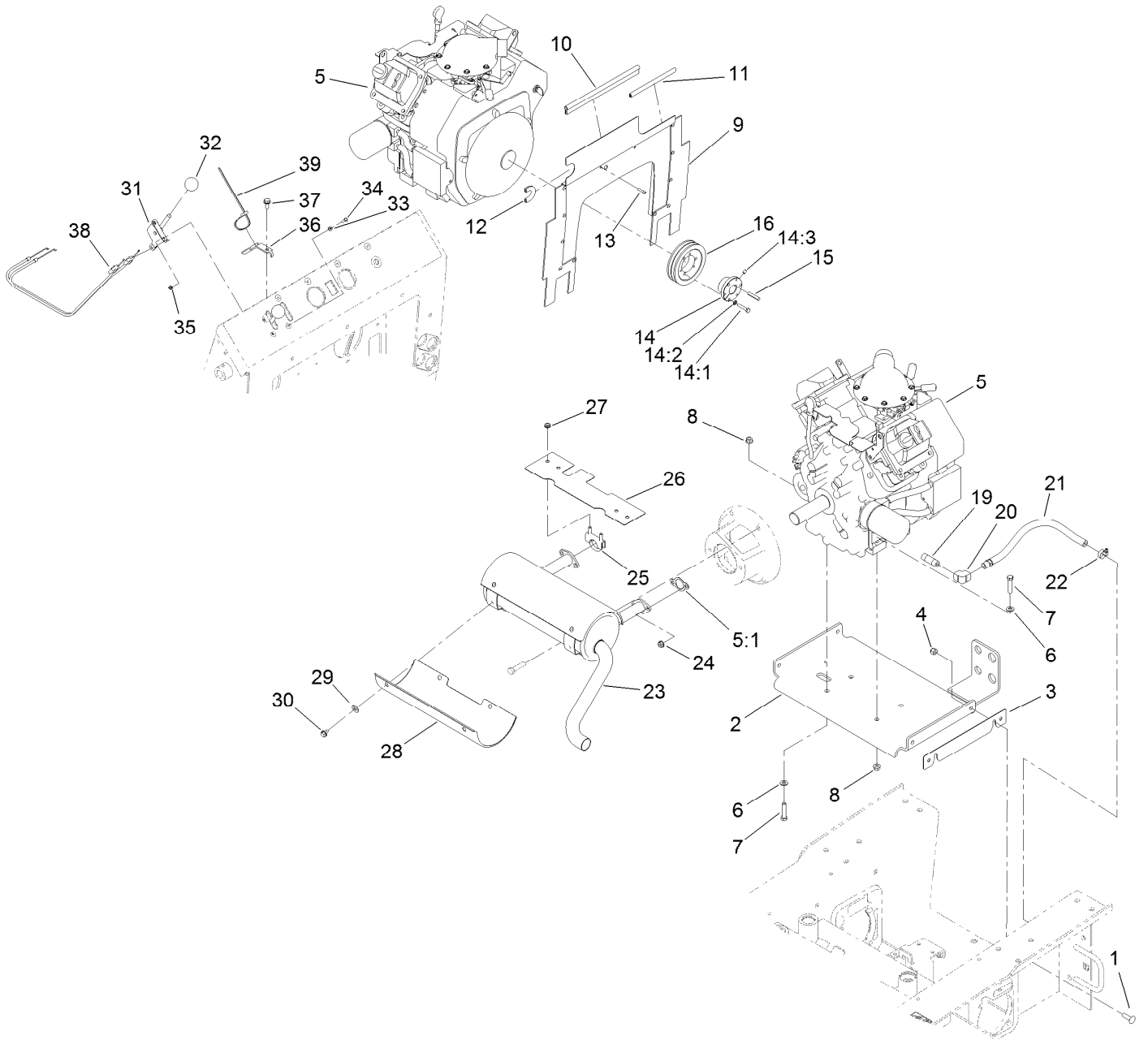
Grill, Side Cover and Counterweight Assembly



Grill, Side Cover and Counterweight Assembly (continued)

<i>Ref.</i>	<i>Part Number</i>	<i>Qty.</i>	<i>Description</i>	<i>Ref.</i>	<i>Part Number</i>	<i>Qty.</i>	<i>Description</i>
1	117-9998-03	1	Grill	21	3256-2	1	Washer-Flat
2	95-1726	4	Screw-Taptite	22	107-8021	1	Screw-PTH
3	106-9335	1	Housing-Latch	23	3296-47	1	Nut-Lock, NI
4	106-5729	1	Bracket-Latch	24	106-9343	1	LH Rear Cover Support ASM
5	3296-60	1	Nut-Lock, NI	24:2	32148-9	1	Nut-Clinch
6	106-5728	1	Cam-Latch	25	106-9342	1	RH Rear Cover Support ASM
7	3253-3	1	Washer-Lock	25:2	32148-9	1	Nut-Clinch
8	321-2	1	Screw-HH	26	9266714	6	Screw-HWH
9	104-0869	1	Spring	27	32151-72	2	Ring-Retaining
10	106-5727-03	1	Panel-Side, RH	28	106-9339-01	1	Cover-Access, Rear
11	106-5726-03	1	Panel-Side, LH	29	106-0565	2	Washer-Rubber
12	117-9994-03	1	Plate-Front	30	95-9648	2	Knob
13	3230-28	2	Screw-CARR	31	2412-120	2	Clamp-R
14	32128-20	2	Nut-HF	32	3269-10	2	Washer-Back
15	117-9995-03	1	Plate-Counterweight	33	3269-17	2	Rivet-Pop
16	99-6166-01	1	Counterweight-Front	34	104-7050	1	Tube-Manual
17	3256-26	4	Washer-Flat	35	104-7048	1	Cap-Housing
18	325-12	4	Screw-HH				
19	3296-23	4	Nut-Lock, NI				
20	108-5639	1	Handle-Latch				

Engine, Exhaust and Control Lever Assembly



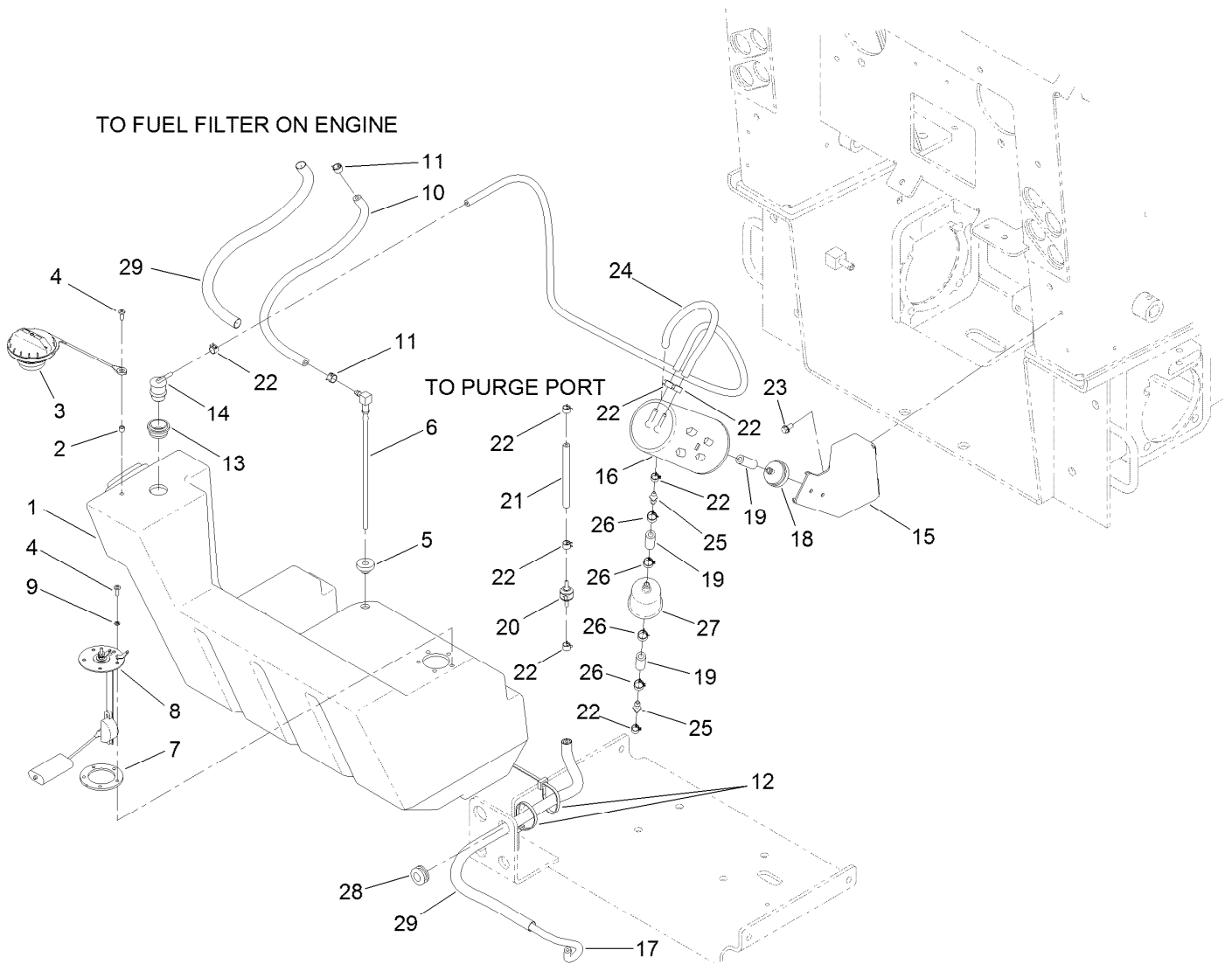
Engine, Exhaust and Control Lever Assembly (continued)

<i>Ref.</i>	<i>Part Number</i>	<i>Qty.</i>	<i>Description</i>	<i>Ref.</i>	<i>Part Number</i>	<i>Qty.</i>	<i>Description</i>
1	3231-28	4	Screw-CARR	19	289-42	1	Nipple
2	114-1288-03	1	Plate-Mounting, Engine	20	94-9650	1	Elbow-90 DEG
3	117-1811	1	Shim-Strap	21	100-1256	1	Oil Hose ASM
4	3296-39	4	Nut-Lock, NI	22	2412-36	1	Clamp-Hose
5		1	Engine-Kohler, Ch740-3136 ●■	23	115-1509	1	Muffler
5:1	93-0350	2	Gasket-Exhaust	24	112-2844	4	Nut-HF
6	48-9220	4	Washer-Plain	25	104-4090	2	Clamp-Muffler
7	323-9	4	Screw-HH	26	114-1366	1	Shield-Manifold
8	32128-21	4	Nut-HF Lock	27	32128-25	4	Nut-HF
9	114-8725	1	Baffle-Engine	28	117-9973	2	Shield-Muffler
10	115-4837	1	Strip-Seal, 10.5 Inch	29	3256-3	8	Washer-Flat
11	105-0378	1	Seal-Strip, 6.5 Inch	30	9266934	8	Screw
12	105-0377	1	Seal-Strip, 3 Inch	31	108-9730	2	Lever-Control
13	32144-36	2	Screw-PPH	32	233-42	2	Knob
14	61-3340	1	Bushing	33	3256-51	4	Washer-Flat
14:1	321-13	3	Screw-HH	34	3290-134	4	Screw
14:2	3253-2	3	Washer-Lock	35	32149-7	4	Nut-Keps
14:3	3245-2	1	Screw-Set, HSH	36	100-1299-03	1	Guide-Cable
15	67-7490	1	Key-Square	37	32144-11	1	Screw-HWH
16	61-3330	1	Pulley	38	108-4679	2	Cable-Throttle/Choke
				39	3290-378	1	Tie-Cable

● Not serviced separately

■ Obtain parts from www.kohlerplus.com

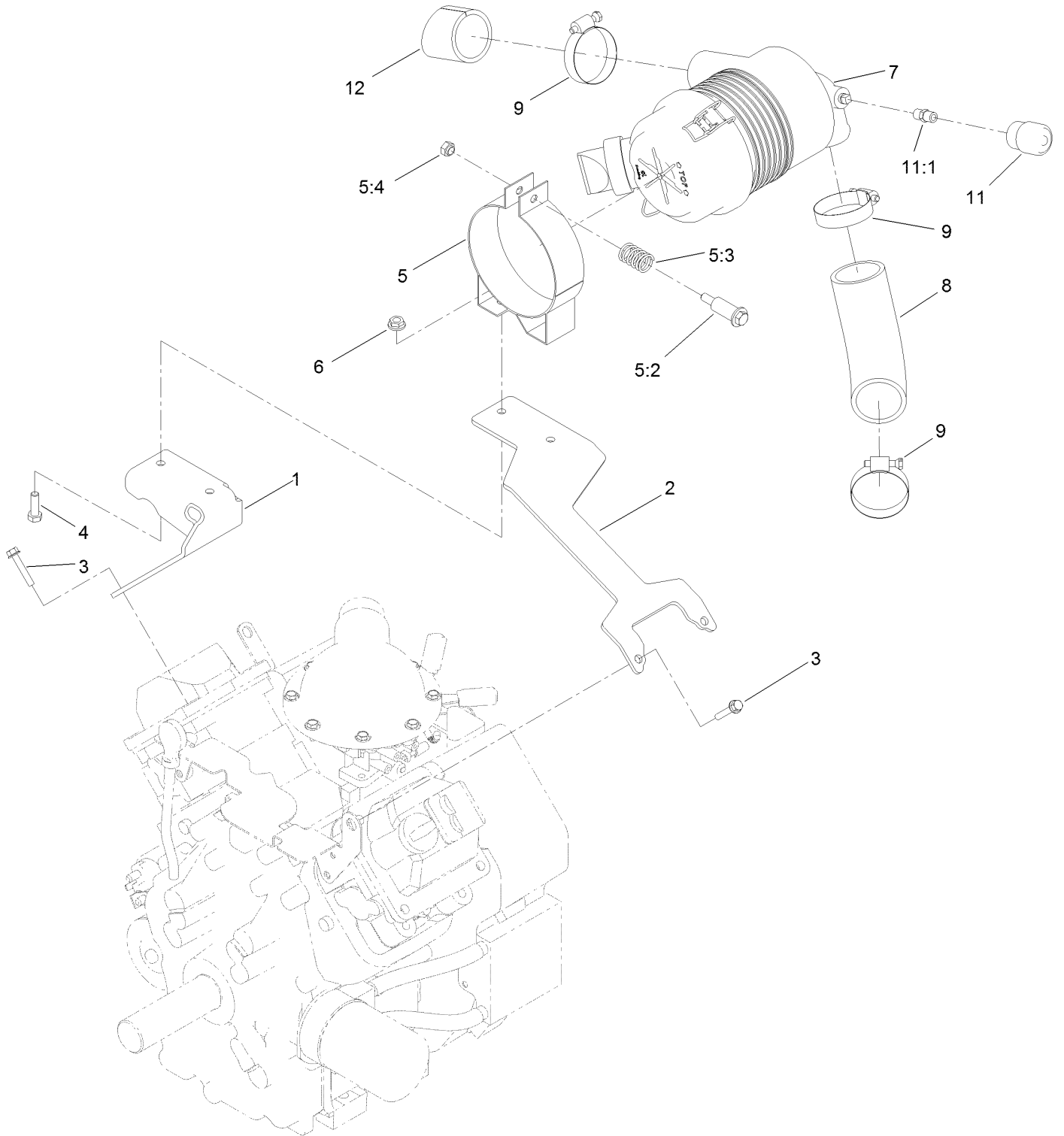
Fuel Tank and Carbon Canister Assembly



Fuel Tank and Carbon Canister Assembly (continued)

<i>Ref.</i>	<i>Part Number</i>	<i>Qty.</i>	<i>Description</i>	<i>Ref.</i>	<i>Part Number</i>	<i>Qty.</i>	<i>Description</i>
1	117-9956	1	Tank-Fuel	16	127-8685	1	Canister-Carbon
2	117-9965	1	Spacer	17	119-3517	2	Hose-Fuel
3	117-1722	1	Cap-Fuel	18	115-7854	1	Filter-Fuel, Inline
4	3250-31	6	Screw-PPH	19	106-5317	3	Hose-Fuel
5	46-6560	1	Bushing	20	133-8499	1	Valve-Check, Vacuum
6	98-0185	1	Pipe-Stand	21	115-4736	1	Hose-Fuel
7	113372	1	Gasket-Sender, Fuel	22	2412-146	8	Clamp-Hose
8	100-1298	1	Sender-Fuel	23	9266714	2	Screw-HWH
9	3253-17	5	Washer-Lock	24	51-3217	1	Hose-Fuel
10	109-0301	1	Hose-Fuel	25	106-8150	2	Fitting-Straight
11	2412-98	2	Clamp-Hose	26	92-2379	4	Clamp-Hose
12	3290-378	3	Tie-Cable	27	120-2235	1	Filter-Fuel
13	114-0284	1	Grommet	28	94-1389	1	Grommet
14	114-0285	1	Valve-Rollover	29	131-0575	2	Sleeve-Thermal
15	117-4043-03	1	Holder-Canister				

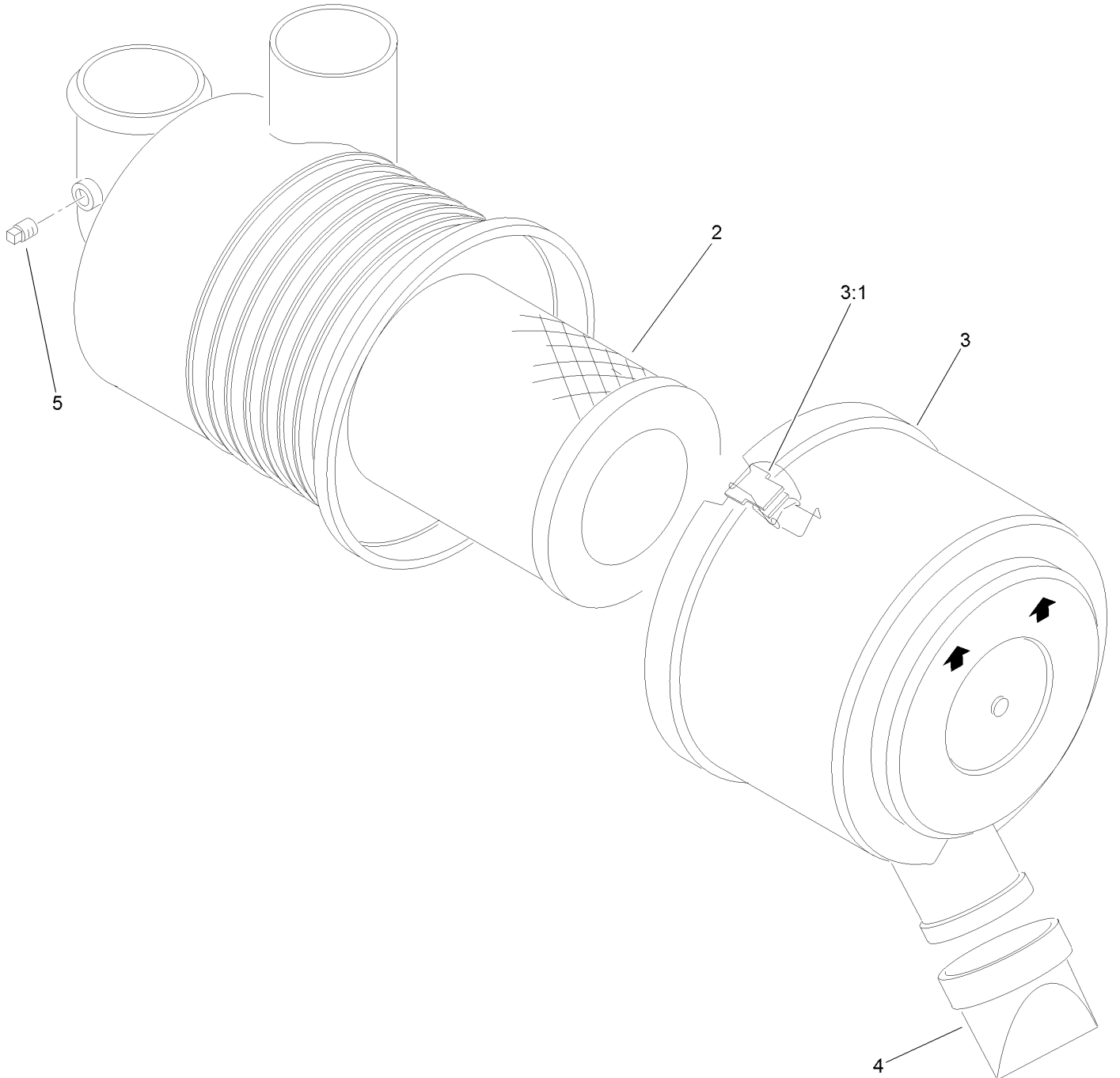
Air Cleaner Mount Assembly



Air Cleaner Mount Assembly (continued)

<i>Ref.</i>	<i>Part Number</i>	<i>Qty.</i>	<i>Description</i>	<i>Ref.</i>	<i>Part Number</i>	<i>Qty.</i>	<i>Description</i>
1	117-1729-03	1	Bracket-Support, Right	5:4	48-9510	1	Nut
2	117-1728-03	1	Bracket-Support, Left	6	32128-20	2	Nut-HF
3	33103-035	4	Screw-HHF	7	93-2190	1	Air Cleaner ASM
4	322-5	2	Screw-HH	8	114-8734	1	Hose-Air Cleaner
5	93-2191	1	Air Cleaner Mounting Band ASM	9	2412-92	3	Clamp-Hose
5:2	94-3653	1	Bolt	11	104-3563	1	Indicator
5:3	94-3654	1	Spring	11:1	94-1416	1	Adapter-Indicator
				12	114-1364	1	Tube-Inlet, Air

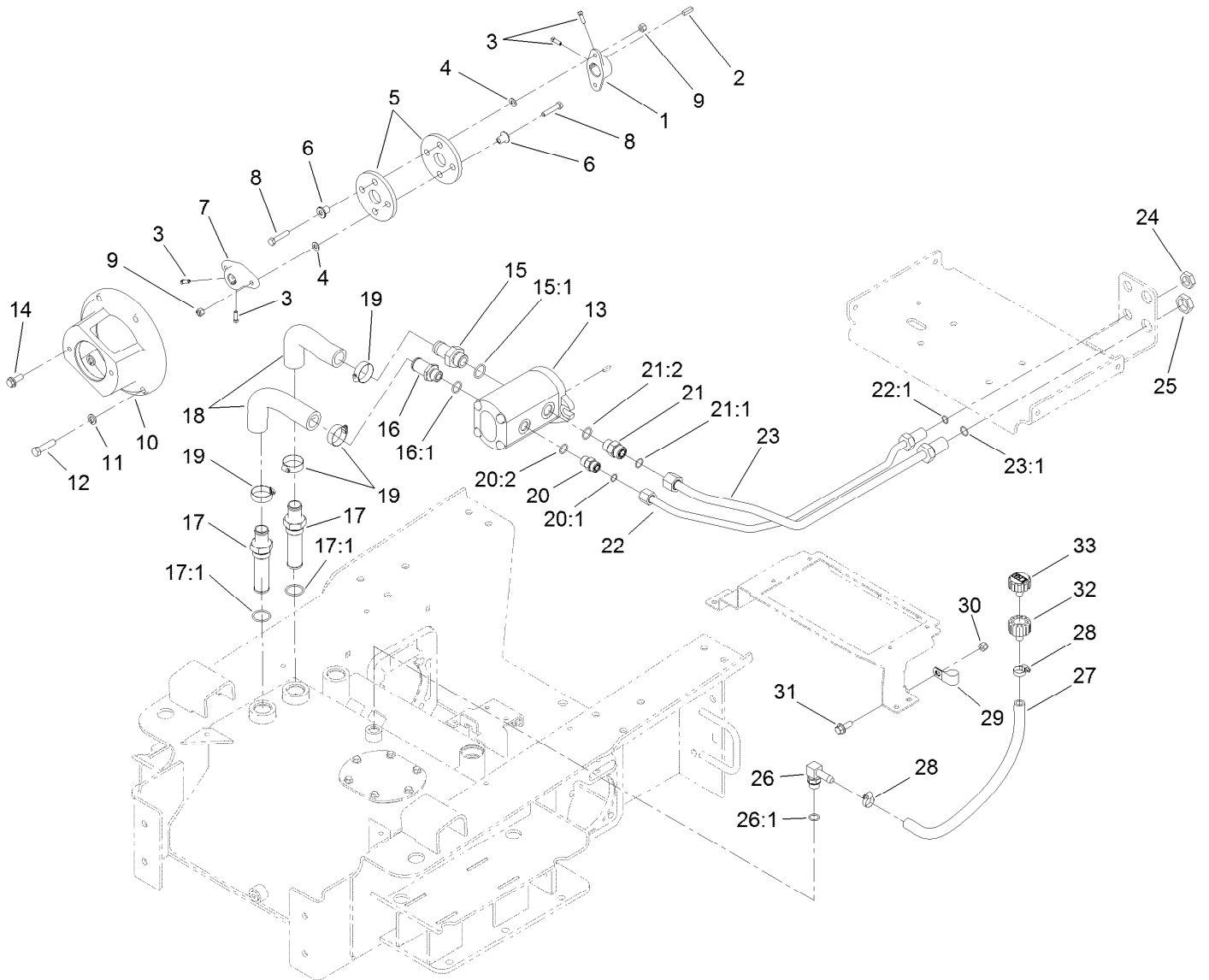
Air Cleaner Assembly No. 93-2190



Air Cleaner Assembly No. 93-2190 (continued)

<i>Ref.</i>	<i>Part Number</i>	<i>Qty.</i>	<i>Description</i>	<i>Ref.</i>	<i>Part Number</i>	<i>Qty.</i>	<i>Description</i>
2	108-3811	1	Filter-Air	4	87-9400	1	Valve-Vacuator
3	94-3652	1	Cover ASM	5	285-17	1	Plug-Pipe
3:1	1-643283	2	Latch-Cleaner, Air				

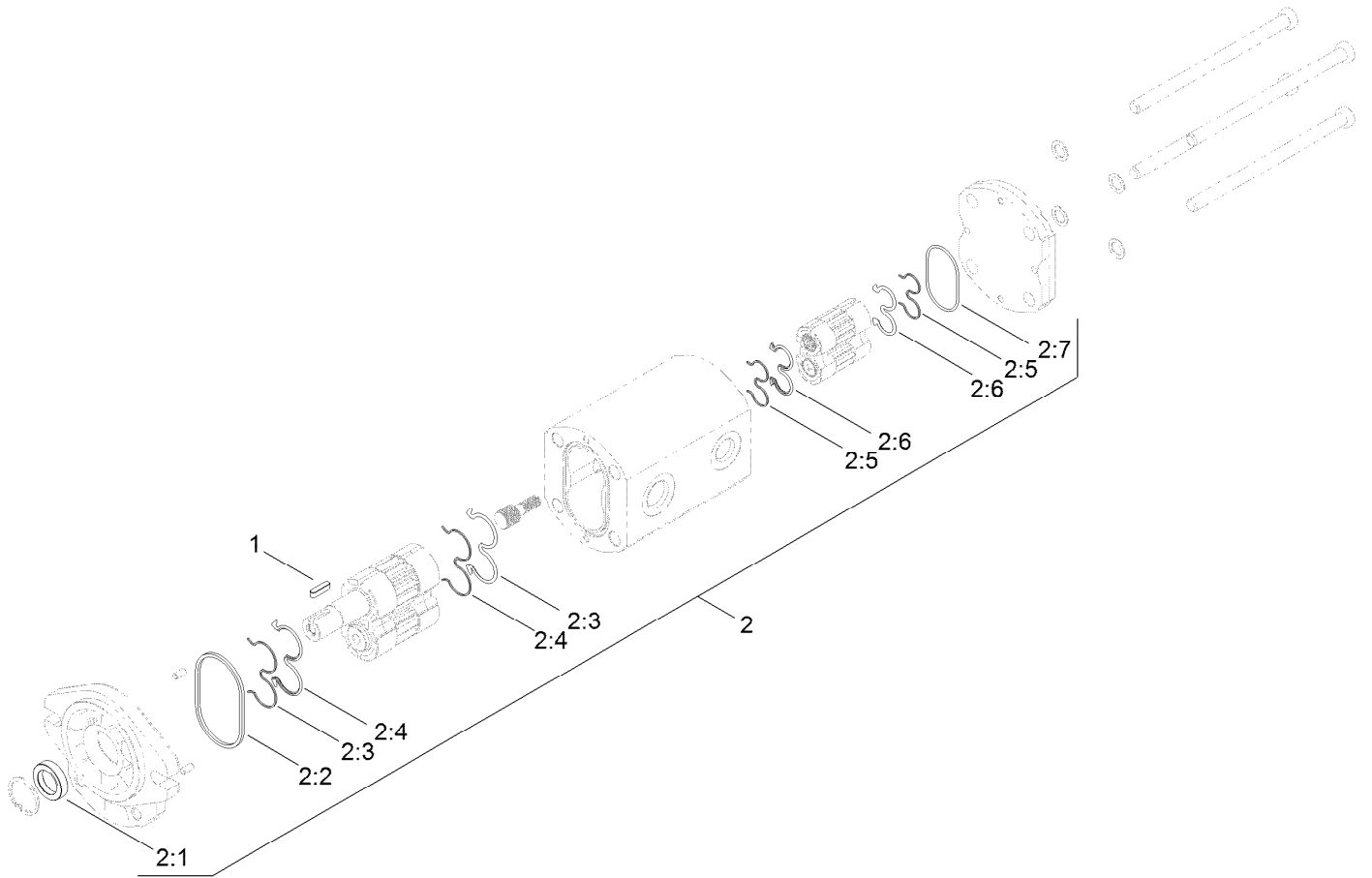
Hydraulic Pump Mount Assembly



Hydraulic Pump Mount Assembly (continued)

<i>Ref.</i>	<i>Part Number</i>	<i>Qty.</i>	<i>Description</i>	<i>Ref.</i>	<i>Part Number</i>	<i>Qty.</i>	<i>Description</i>
1	110-5236	1	Hub-Engine	20	340-4	1	Fitting-Straight
2	10-7070	1	Key-Square	20:1	237-30	1	O-Ring
3	3241-6	4	Screw-SQH	20:2	237-79	1	O-Ring
4	3256-23	4	Washer-Plain	21	340-7	1	Fitting-Straight
5	115-4523	2	Coupling-Rubber	21:1	237-65	1	O-Ring
6	71-4411	4	Spacer	21:2	237-80	1	O-Ring
7	110-9695	1	Hub-Pump	22	114-1356	1	HYD Tube ASM
8	322-8	4	Screw-HH	22:1	237-30	1	O-Ring
9	3296-29	4	Nut-Lock, NI	23	114-1355	1	HYD Tube ASM
10	98-2751-03	1	Mount-Pump	23:1	237-65	1	O-Ring
11	3253-6	4	Washer-Lock	24	340-127	1	Nut-Bulkhead
12	324-7	4	Screw-HH	25	340-74	1	Nut-Lock, Bulkhead
13	106-7650	1	HYD Pump ASM	26	354-120	1	Fitting-Elbow, 90
14	66-9300	2	Screw-HHF	26:1	237-79	1	O-Ring
15	99-3017	1	Fitting	27	98-4667	1	Hose
15:1	237-81	1	O-Ring	28	2412-36	2	Clamp-Hose
16	131-0573	1	Fitting-STR	29	2412-4	1	Clamp-R
16:1	237-80	1	O-Ring	30	3296-39	1	Nut-Lock, NI
17	112-0211	2	Strainer Fitting ASM	31	3234-42	1	Screw-HHF
17:1	237-146	1	O-Ring	32	92-8020	1	Adapter-Breather
18	131-0585	2	Hose-Suction, Formed	33	68-6150	1	Breather
19	2412-34	4	Clamp-Hose				

Hydraulic Pump Assembly No. 106-7650

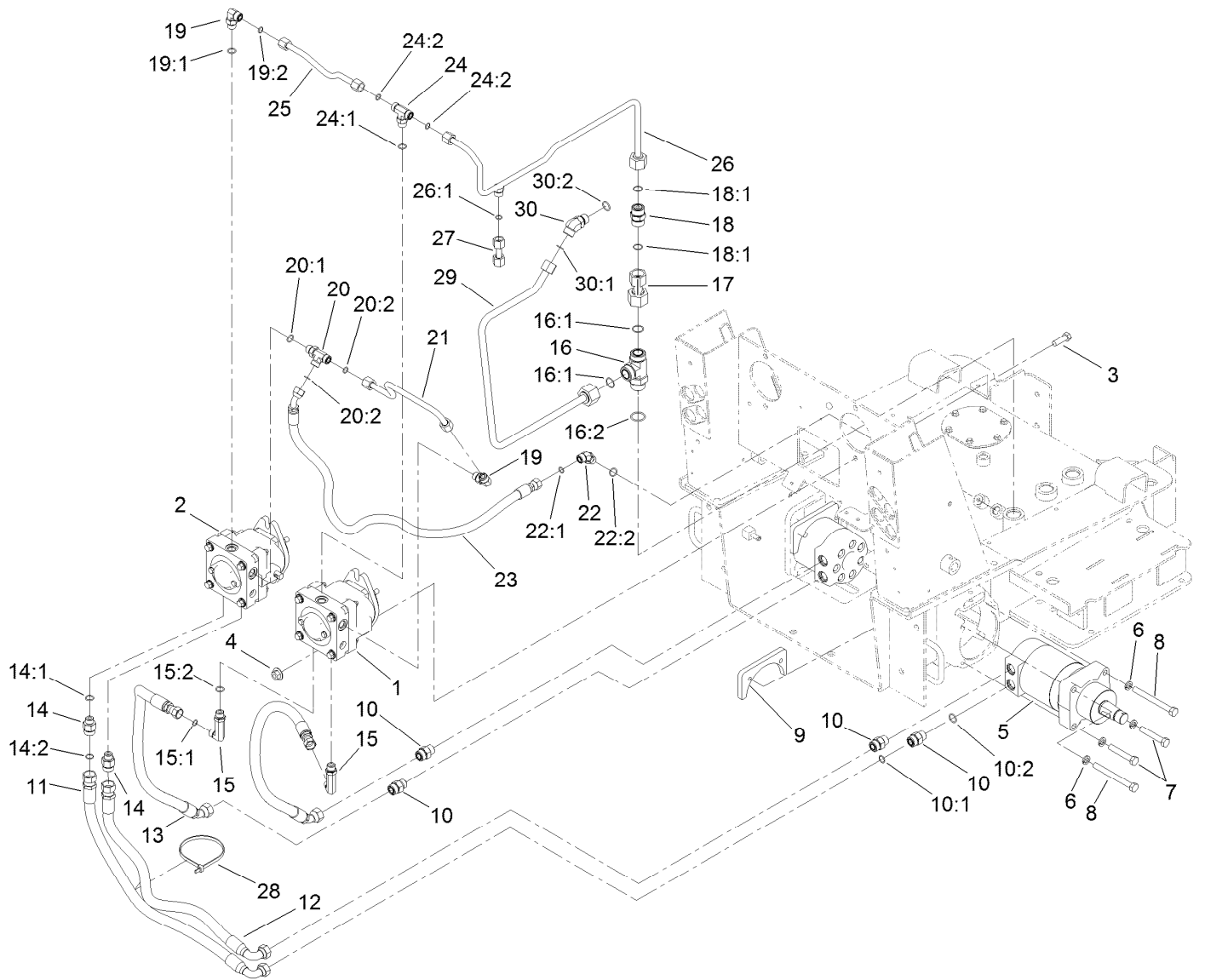


Hydraulic Pump Assembly No. 106-7650 (continued)

<i>Ref.</i>	<i>Part Number</i>	<i>Qty.</i>	<i>Description</i>	<i>Ref.</i>	<i>Part Number</i>	<i>Qty.</i>	<i>Description</i>
1	100-4238	1	Key-Square	2:4		2	Seal-Gear ●
2	107-9316	1	Seal Kit	2:5		2	Ring-Backup ●
2:1		1	Seal-Shaft ●	2:6		2	Seal-Gear-Rear ●
2:2		1	Seal-Square ●	2:7		1	O-Ring ●
2:3		2	Ring-Backup ●				

● Not serviced separately

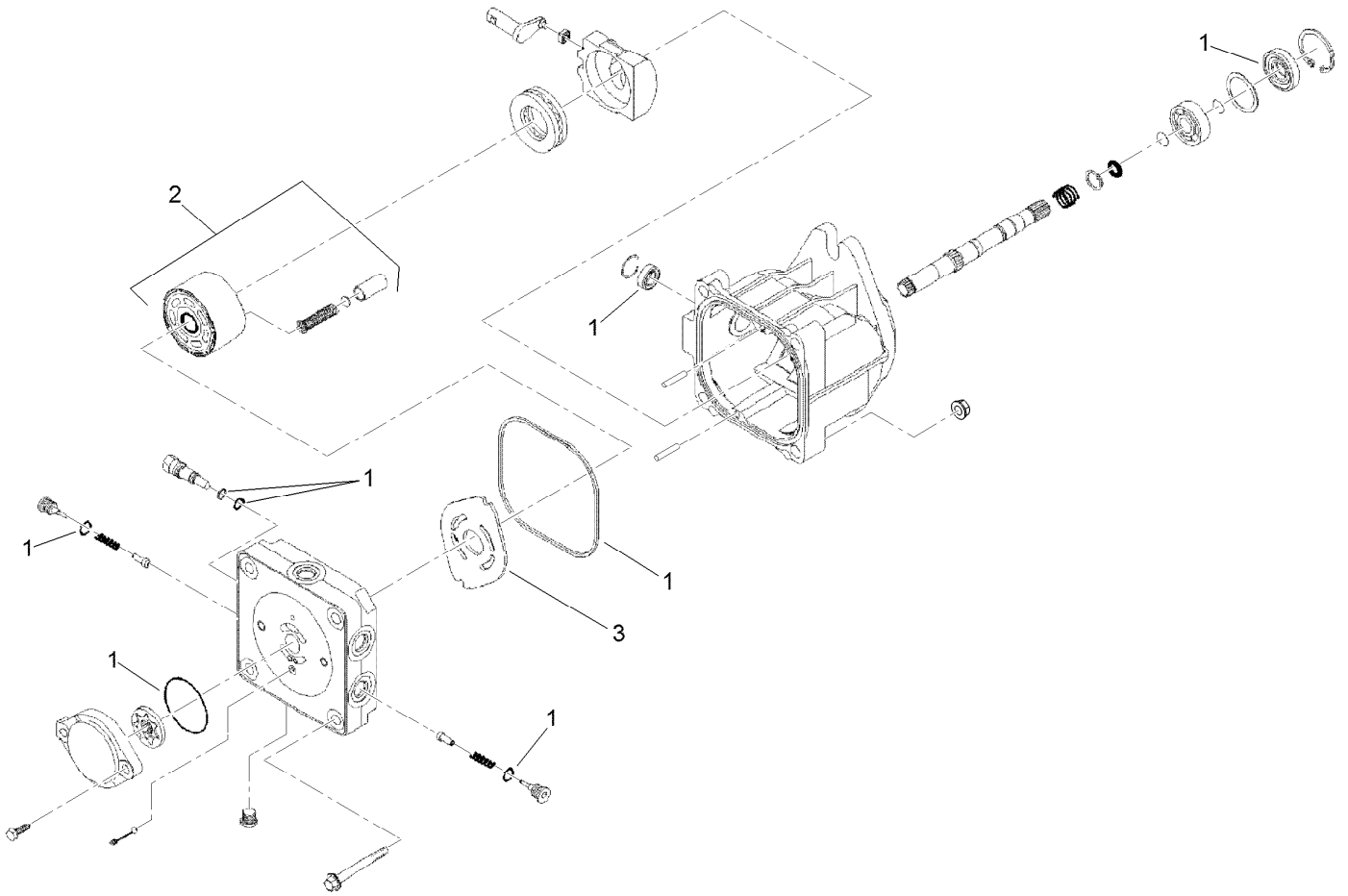
Traction Hydraulic Assembly



Traction Hydraulic Assembly (continued)

<i>Ref.</i>	<i>Part Number</i>	<i>Qty.</i>	<i>Description</i>	<i>Ref.</i>	<i>Part Number</i>	<i>Qty.</i>	<i>Description</i>
1	106-5706	1	RH HYD Pump ASM	18	99-6161	1	HYD Check Valve ASM
2	106-5705	1	LH HYD Pump ASM	18:1	237-58	2	O-Ring
3	325-6	4	Screw-HH	19	340-98	2	Fitting-Elbow, 90 DEG
4	32128-52	4	Nut-Lock, Flange	19:1	237-79	1	O-Ring
5	114-1756	2	HYD Motor ASM	19:2	237-30	1	O-Ring
6	3253-7	8	Washer-Lock	20	340-109	1	Fitting-Tee
7	115-4845	4	Screw-HH, TAP	20:1	237-79	1	O-Ring
8	325-19	4	Screw-HH	20:2	237-30	2	O-Ring
9	98-2763-03	2	Plate-Mounting	21	98-0200	1	Tube-HYD
10	340-7	4	Fitting-Straight	22	340-101	1	Fitting-HYD, 45 DEG
10:1	237-65	1	O-Ring	22:1	237-30	1	O-Ring
10:2	237-80	1	O-Ring	22:2	237-79	1	O-Ring
11	115-4829	1	Hose-HYD	23	98-0201	1	Hose-HYD
12	115-4826	1	Hose-HYD	24	340-157	1	Fitting-HYD, Tee
13	98-0233	2	Hose-HYD	24:1	237-79	1	O-Ring
14	340-155	2	Fitting-Straight	24:2	237-30	2	O-Ring
14:1	237-79	1	O-Ring	25	106-9330	1	Tube-HYD
14:2	237-151	1	O-Ring	26	108-4665	1	HYD Tube ASM
15	99-6160	2	Fitting-Elbow, 90 Long	26:1	237-30	1	O-Ring
15:1	237-30	1	O-Ring	27	108-4666	1	Tube-HYD
15:2	237-79	1	O-Ring	28	3334-945	1	Tie-Cable
16	104-3795	1	Fitting-Tee	29	117-3988	1	Tube-HYD
16:1	340-65	2	O-Ring	30	340-14	1	Fitting-HYD, 45 DEG
16:2	237-146	1	O-Ring	30:1	237-65	1	O-Ring
17	105-0226	1	Tube-HYD	30:2	237-80	1	O-Ring

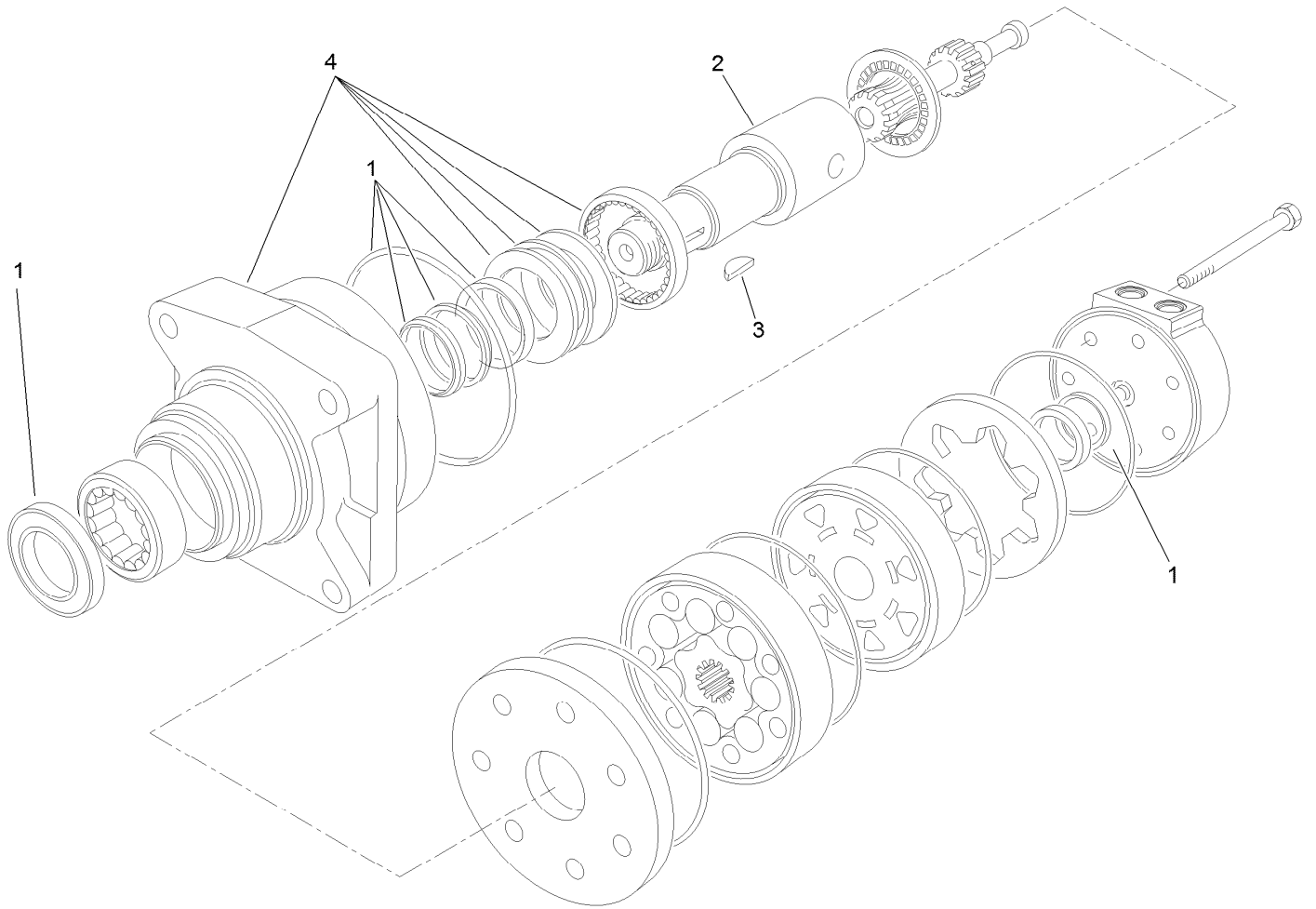
Hydraulic Pump Assembly No. 106-5705 and 106-5706



Hydraulic Pump Assembly No. 106-5705 and 106-5706 (continued)

<i>Ref.</i>	<i>Part Number</i>	<i>Qty.</i>	<i>Description</i>
1	100-6110	1	Overhaul Seal Kit
2	94-1913	1	Cylinder Block ASM
3	100-6112	1	Plate-Valve

Hydraulic Motor Assembly No. 114-1756

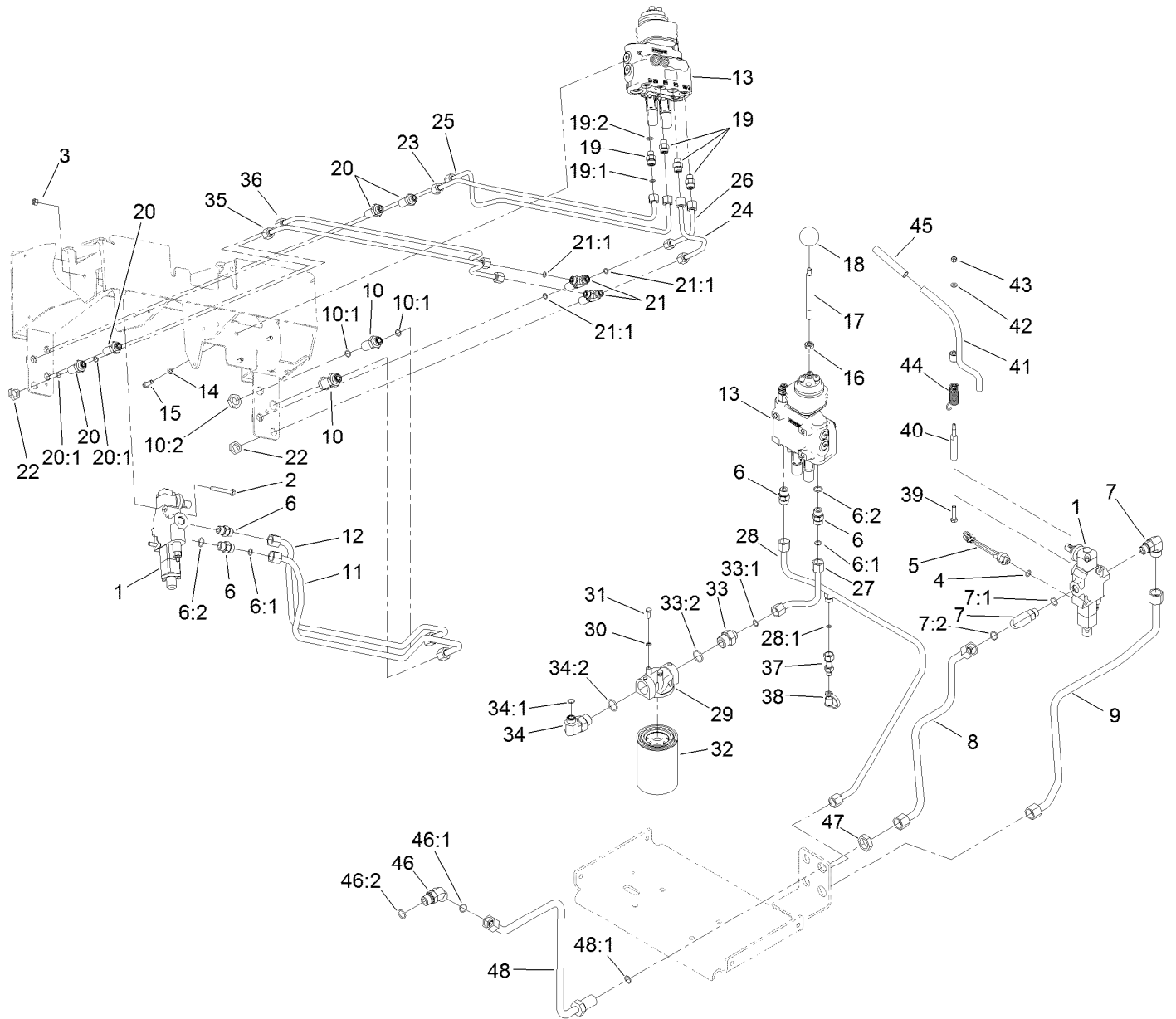


Hydraulic Motor Assembly No. 114-1756 (continued)

<i>Ref.</i>	<i>Part Number</i>	<i>Qty.</i>	<i>Description</i>
1	100-6131	1	Seal Kit
2	106-7645	1	Coupling-Shaft

<i>Ref.</i>	<i>Part Number</i>	<i>Qty.</i>	<i>Description</i>
3	3257-42	1	Key-Woodruff
4	120-5393	1	Motor Housing ASM

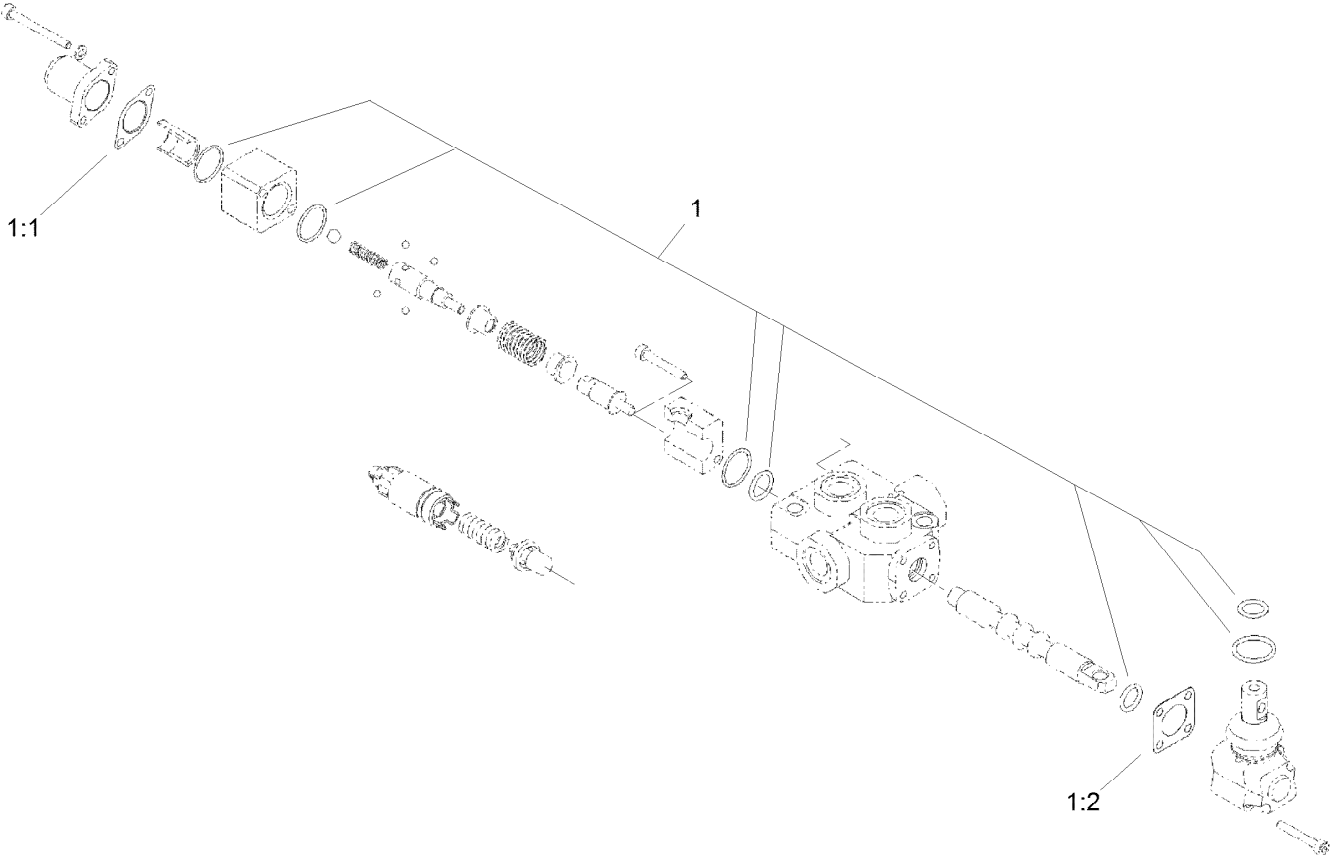
Main Hydraulic Assembly



Main Hydraulic Assembly (continued)

<i>Ref.</i>	<i>Part Number</i>	<i>Qty.</i>	<i>Description</i>	<i>Ref.</i>	<i>Part Number</i>	<i>Qty.</i>	<i>Description</i>
1	104-2831	1	1 Spool Valve ASM	24	106-9313	1	Tube-HYD
2	322-11	2	Screw-HH	25	106-9314	1	Tube-HYD
3	3296-29	2	Nut-Lock, NI	26	106-9315	1	Tube-HYD
4	237-42	1	O-Ring	27	106-9385	1	Tube-HYD
5	72-4310	1	Switch-Ball	28	106-9387	1	HYD Tube ASM
6	340-4	4	Fitting-Straight	28:1	237-22	1	O-Ring
6:1	237-30	1	O-Ring	29	92-5821	1	Head-Filter
6:2	237-79	1	O-Ring	30	3253-3	2	Washer-Lock
7	340-153	2	Fitting-Elbow, 90 DEG	31	321-4	2	Screw-HH
7:1	237-79	1	O-Ring	32	86-3010	2	Filter-Oil
7:2	237-151	1	O-Ring	33	100-4240	1	Fitting-STR
8	104-5707	1	Tube-HYD	33:1	237-30	1	O-Ring
9	106-9309	1	Tube-HYD	33:2	237-81	1	O-Ring
10	340-161	2	Fitting-Bulkhead	34	340-131	1	Fitting-HYD, 90 DEG
10:1	237-30	2	O-Ring	34:1	237-30	1	O-Ring
10:2	340-127	1	Nut-Bulkhead	34:2	237-81	1	O-Ring
11	106-9310	1	Tube-HYD	35	106-9316	1	Tube-HYD
12	106-9311	1	Tube-HYD	36	106-9317	1	Tube-HYD
13	106-9307	1	2 Spool Valve ASM	37	86-5480	1	Nipple-Test
14	3253-4	3	Washer-Lock	38	354-79	1	Cap-Dust
15	322-4	3	Screw-HH	39	33114-035	1	Screw-HH
16	51-2070	1	Nut	40	104-2827	1	Spacer-Hiflo
17	108-4675	1	Shaft-Handle, Loader	41	112-2739	1	Lever-Auxiliary
18	233-21	1	Knob	42	3256-16	1	Washer-Flat
19	340-2	4	Fitting-Straight	43	3296-42	1	Nut-Lock, NI
19:1	237-22	1	O-Ring	44	112-2738	1	Spring-Torsion
19:2	237-42	1	O-Ring	45	112-2605	1	Grip-Rubber
20	340-71	4	Fitting-Straight, Bulkhead	46	340-14	1	Fitting-HYD, 45 DEG
20:1	237-22	2	O-Ring	46:1	237-65	1	O-Ring
21	340-68	2	Fitting-Tee, Bulkhead	46:2	237-80	1	O-Ring
21:1	237-22	3	O-Ring	47	340-74	1	Nut-Lock, Bulkhead
22	340-70	6	Nut-Lock	48	106-9333	1	HYD Tube ASM
23	106-9312	1	Tube-HYD	48:1	237-65	1	O-Ring

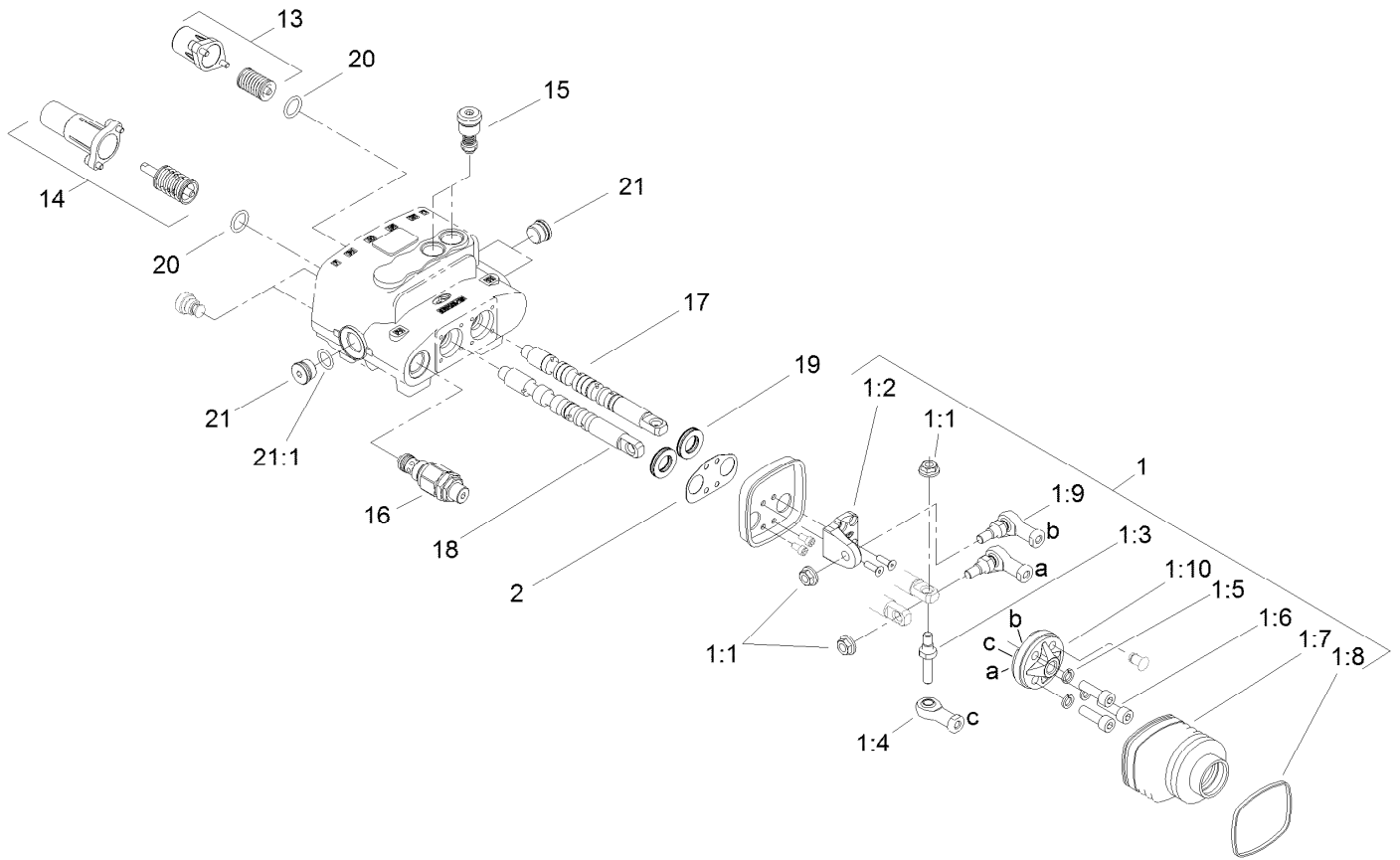
One Spool Valve Assembly No. 104-2831



One Spool Valve Assembly No. 104-2831 (continued)

<i>Ref.</i>	<i>Part Number</i>	<i>Qty.</i>	<i>Description</i>
1	99-4390	1	Seal Kit
1:1	99-3074	4	Gasket
1:2	99-3075	8	Gasket

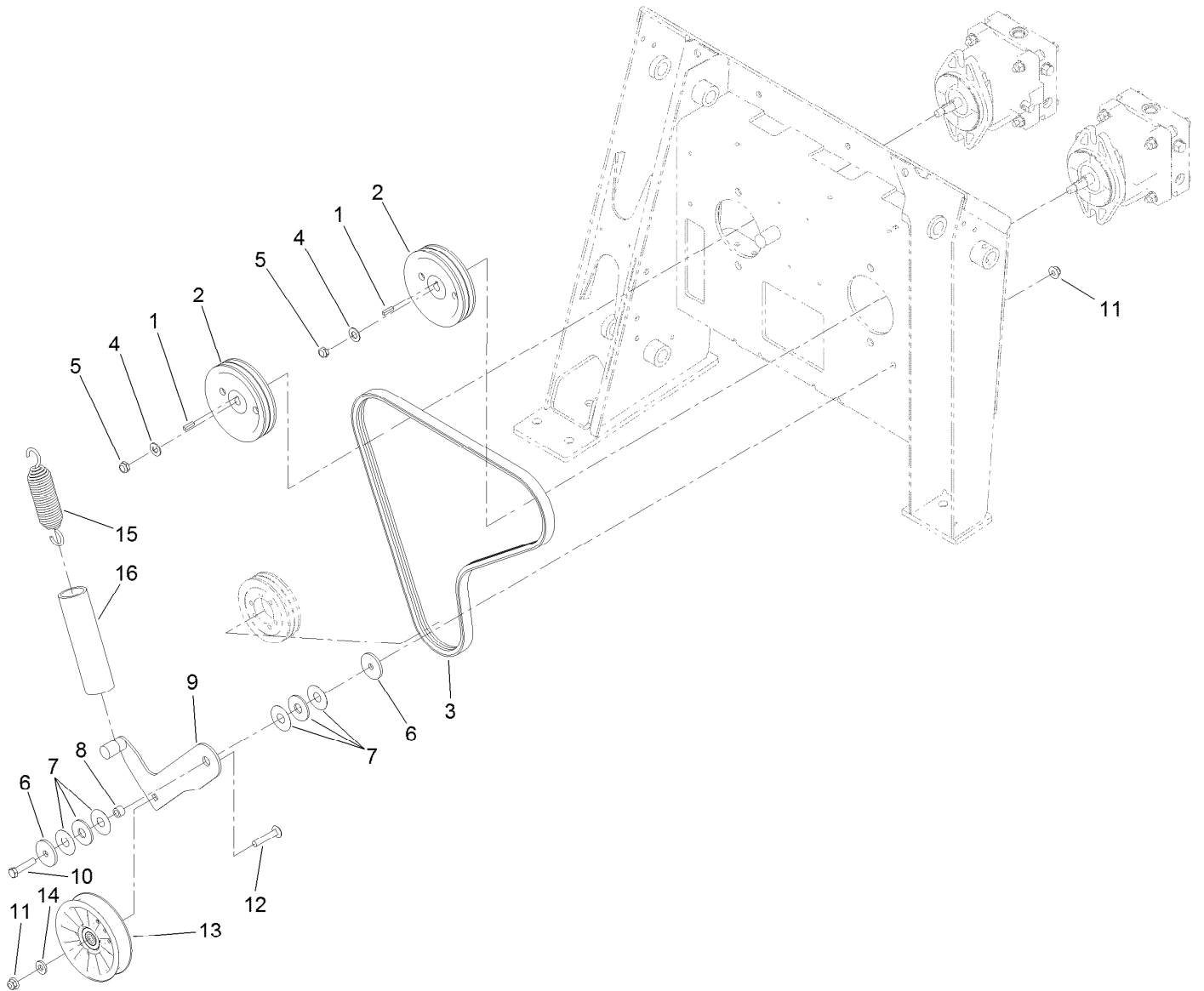
Two Spool Valve Assembly No. 106-9307



Two Spool Valve Assembly No. 106-9307 (continued)

<i>Ref.</i>	<i>Part Number</i>	<i>Qty.</i>	<i>Description</i>	<i>Ref.</i>	<i>Part Number</i>	<i>Qty.</i>	<i>Description</i>
1	106-7724	1	Joystick Kit	2	106-7725	1	Seal-Joystick
1:1	98-0668	3	Nut	13	106-7732	1	Valve Spring Kit
1:2	106-7726	1	Pivot-Joystick	14	106-7733	1	Detent Spring Kit
1:3	106-7727	1	Pin-Joystick	15	106-7734	2	Valve-Relief
1:4	106-7728	1	End-Rod	16	106-7735	1	Valve-Relief, Main
1:5	42-9850	3	Washer-Lock, Spring	17	106-7736	1	Spool-Valve
1:6	98-5828	3	Screw-HSH	18	106-7737	1	Spool-Valve
1:7	106-7729	1	Bellow-Rubber	19	106-7738	2	Seal-Valve, Spool
1:8	3290-379	1	Tie-Cable	20	106-7719	2	Seal-Valve
1:9	106-7730	2	Joint-Joystick	21	353-988	3	Plug-Hex
1:10	106-7731	1	Holder-Articulated	21:1	237-79	1	O-Ring

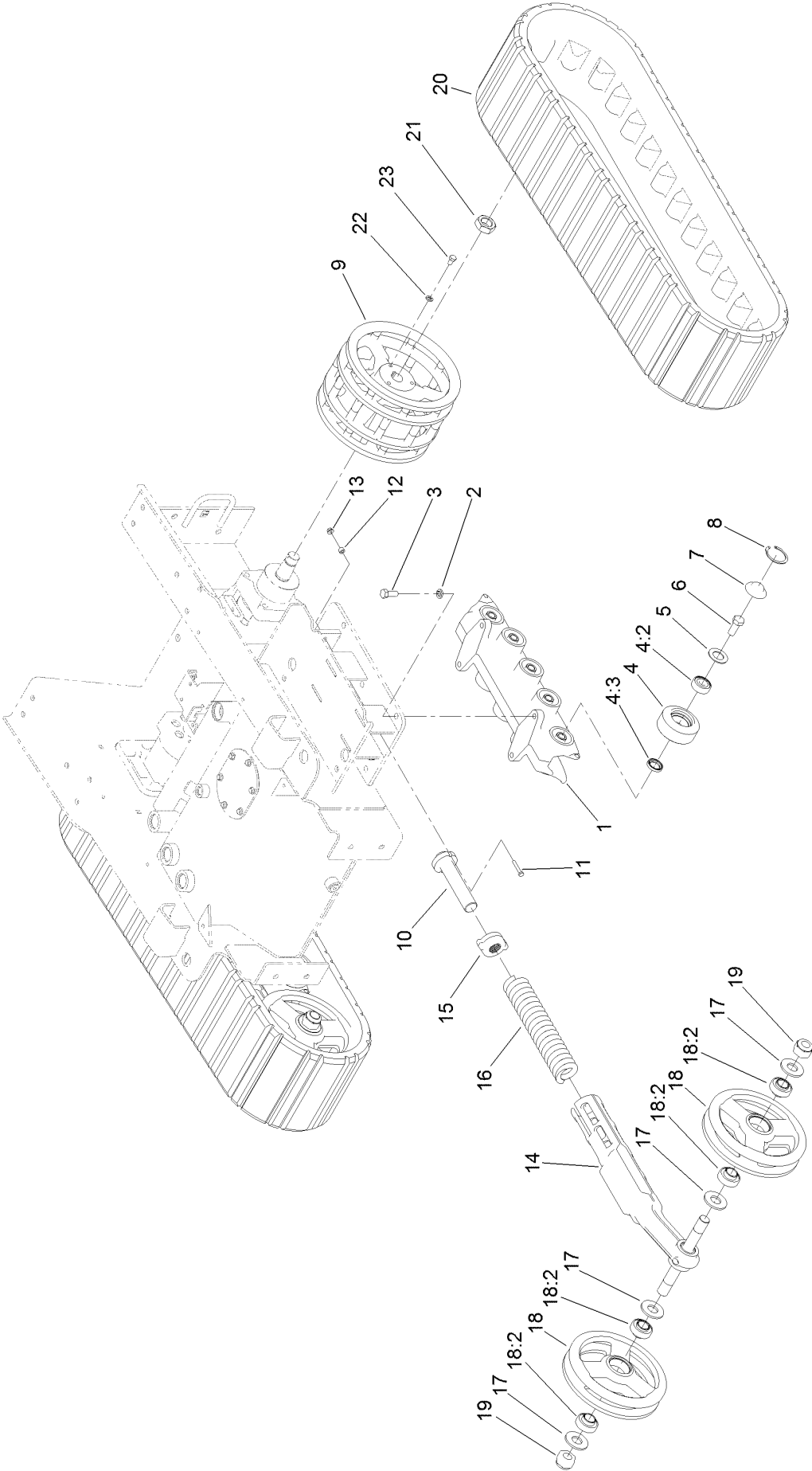
Hydraulic Pump Pulley Assembly



Hydraulic Pump Pulley Assembly (continued)

<i>Ref.</i>	<i>Part Number</i>	<i>Qty.</i>	<i>Description</i>	<i>Ref.</i>	<i>Part Number</i>	<i>Qty.</i>	<i>Description</i>
1	3-6168	2	Key	9	115-1486	1	Arm-Idler
2	106-5710	2	Pulley-3V	10	323-9	1	Screw-HH
3	95-3611	1	V-Belt	11	104-8301	2	Nut-HF, NI
4	3256-25	2	Washer-Flat	12	117-9971	1	Bolt-Carriage
5	3296-38	2	Nut-Lock, NI	13	119-2358	1	Pulley-Idler
6	115-1485	2	Washer-Plain	14	43-0940	1	Spacer
7	114-0463	2	Washer-Friction, Composite	15	105-0383	1	Spring-Extension
8	115-4986	1	Spacer	16	112-2409	1	Retainer-Spring

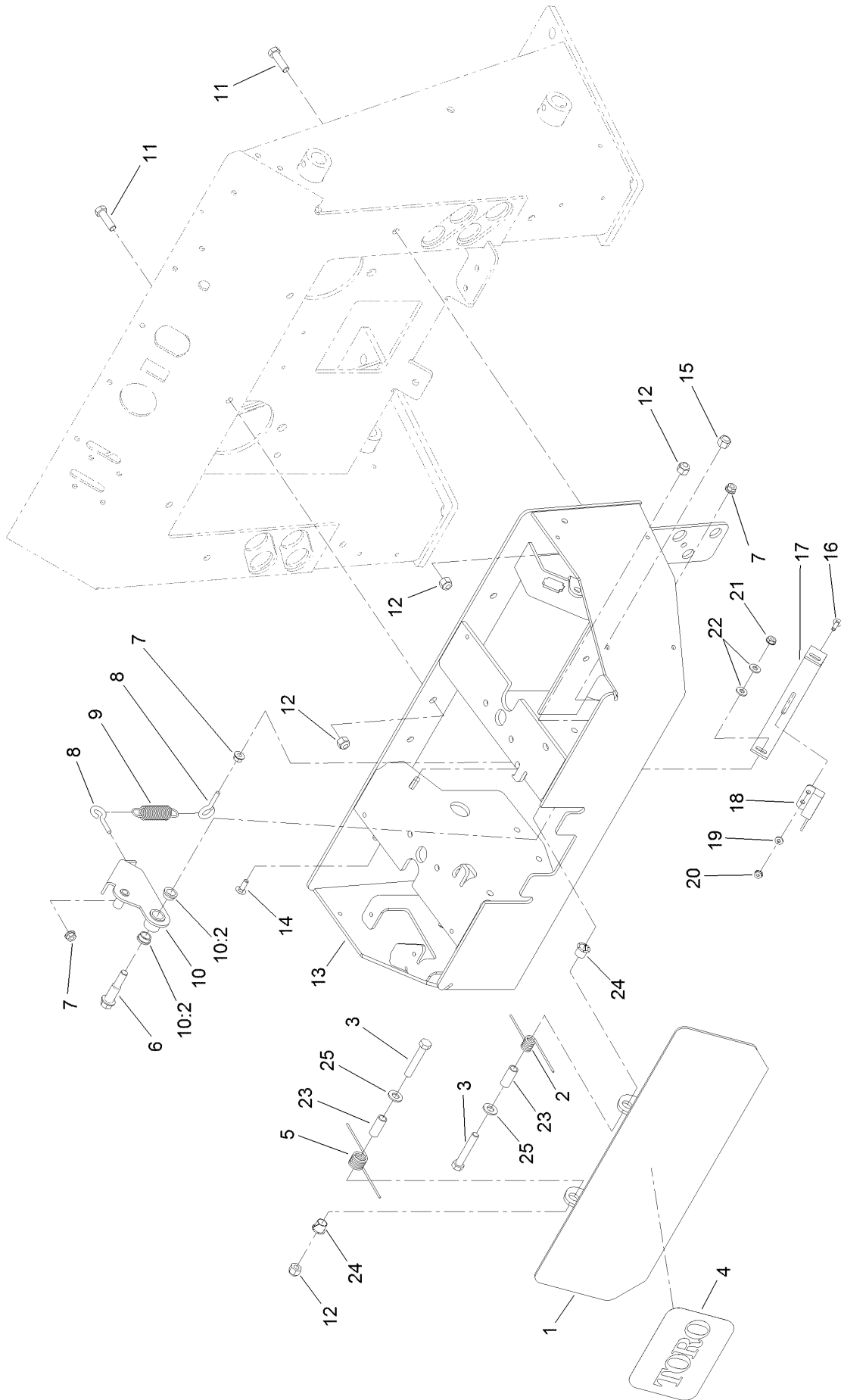
Track and Traction Assembly



Track and Traction Assembly (continued)

<i>Ref.</i>	<i>Part Number</i>	<i>Qty.</i>	<i>Description</i>	<i>Ref.</i>	<i>Part Number</i>	<i>Qty.</i>	<i>Description</i>
1	117-1308-0P	2	Guide-Track, Tx Wide	12	98-4799	2	Spacer
2	3253-7	8	Washer-Lock	13	32128-32	2	Nut-HHF
3	325-5	8	Screw-HH	14	115-0717-03	2	Arm-Tensioner
4	138-0782	20	Road Wheel ASM	15	108-4664	2	Block-Tensioner
4:2	120-5378	1	Bearing-Ball	16	95-3624	2	Spring-Compression
4:3	253-118	1	Seal-Oil	17	115-0722	8	Washer-Plain
5	106-7585	20	Gasket-Bogie	18	138-0783	4	Tensioner Wheel ASM
6	327-4	20	Screw-HH	18:2	104-6129	2	Bearing-Ball
7	106-7557	20	Cap-Wheel, Bearing	19	104-2024	4	Nut-Hex, NI
8	106-7595	20	Ring-Snap, Internal	20	136-5848	2	Track
9	115-0721-03	2	Wheel-Drive	21	107-9319	2	Nut-Hex
10	98-9846	2	Bolt-Tensioner	22	3253-21	6	Washer-Lock
11	321-37	2	Screw-HH	23	323-34	6	Screw-HH

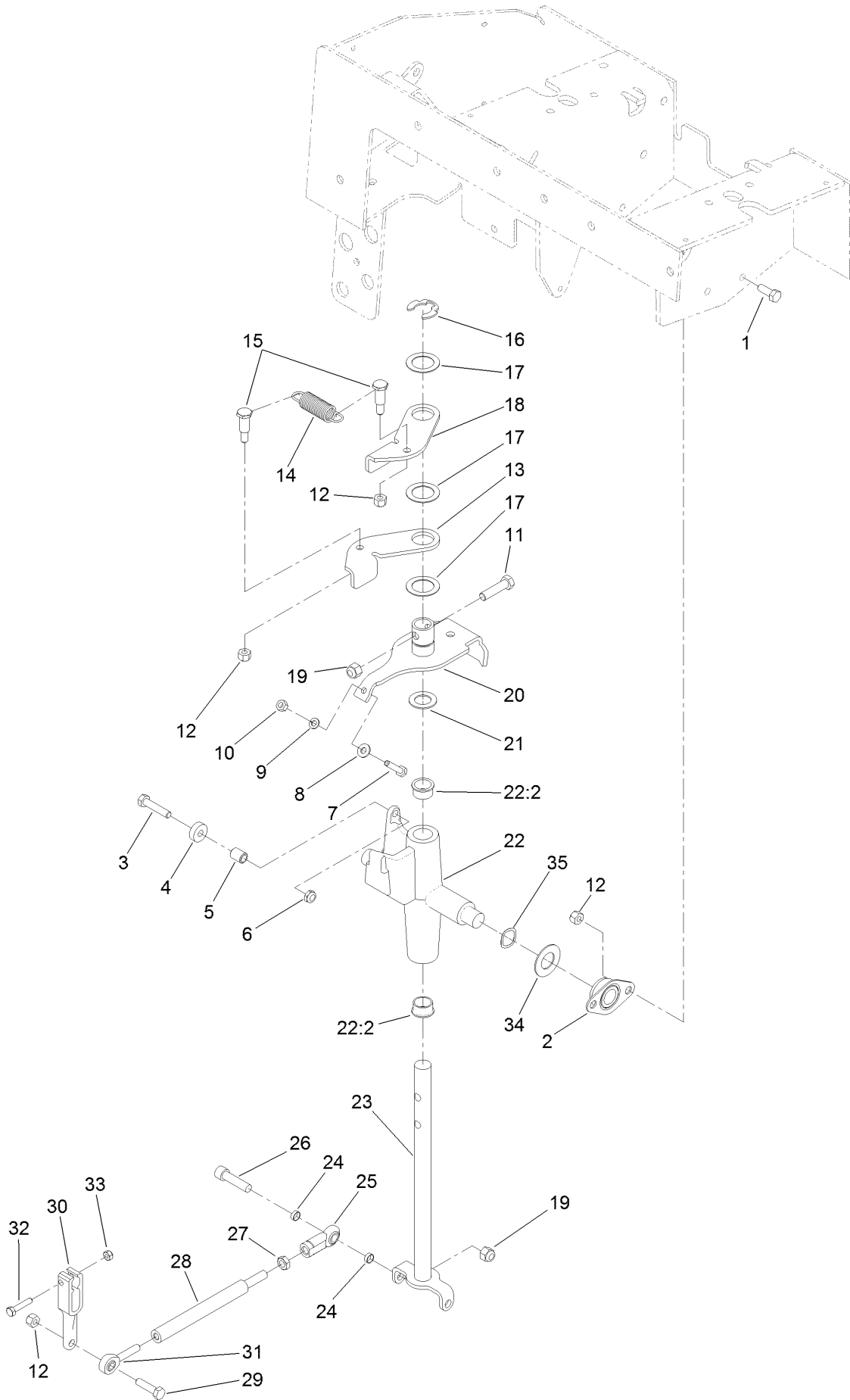
Control Panel Assembly



Control Panel Assembly (continued)

<i>Ref.</i>	<i>Part Number</i>	<i>Qty.</i>	<i>Description</i>	<i>Ref.</i>	<i>Part Number</i>	<i>Qty.</i>	<i>Description</i>
1	112-2786-03	1	Plate-Reverse	13	110-0228-01	1	Panel-Control
2	98-8425	1	Spring-Torsion, LH	14	3229-1	2	Screw-CARR
3	323-11	2	Screw-HH	15	3296-6	1	Nut-Lock
4	105-1217	1	Decal	16	3229-20	2	Screw-CARR
5	98-8424	1	Spring-Torsion, RH	17	100-1263	1	Plate-Switch
6	66-0560	1	Bolt-Shoulder	18	100-1270	1	Switch-Proximity
7	32128-32	4	Nut-HHF	19	3256-51	2	Washer-Flat
8	71-2870	2	Bolt-Eye	20	32149-7	2	Nut-Keps
9	108-4724	1	Spring-Extension	21	32149-2	2	Nut-Keps
10	100-4203	1	Neutral Centering Lever ASM	22	3256-22	4	Washer-Flat
10:2	256-156	2	Bushing-Flange	23	114-1337	2	Spacer-Spring
11	323-7	5	Screw-HH	24	256-257	2	Bushing-Nyliner
12	3296-39	7	Nut-Lock, NI	25	3256-24	2	Washer-Flat

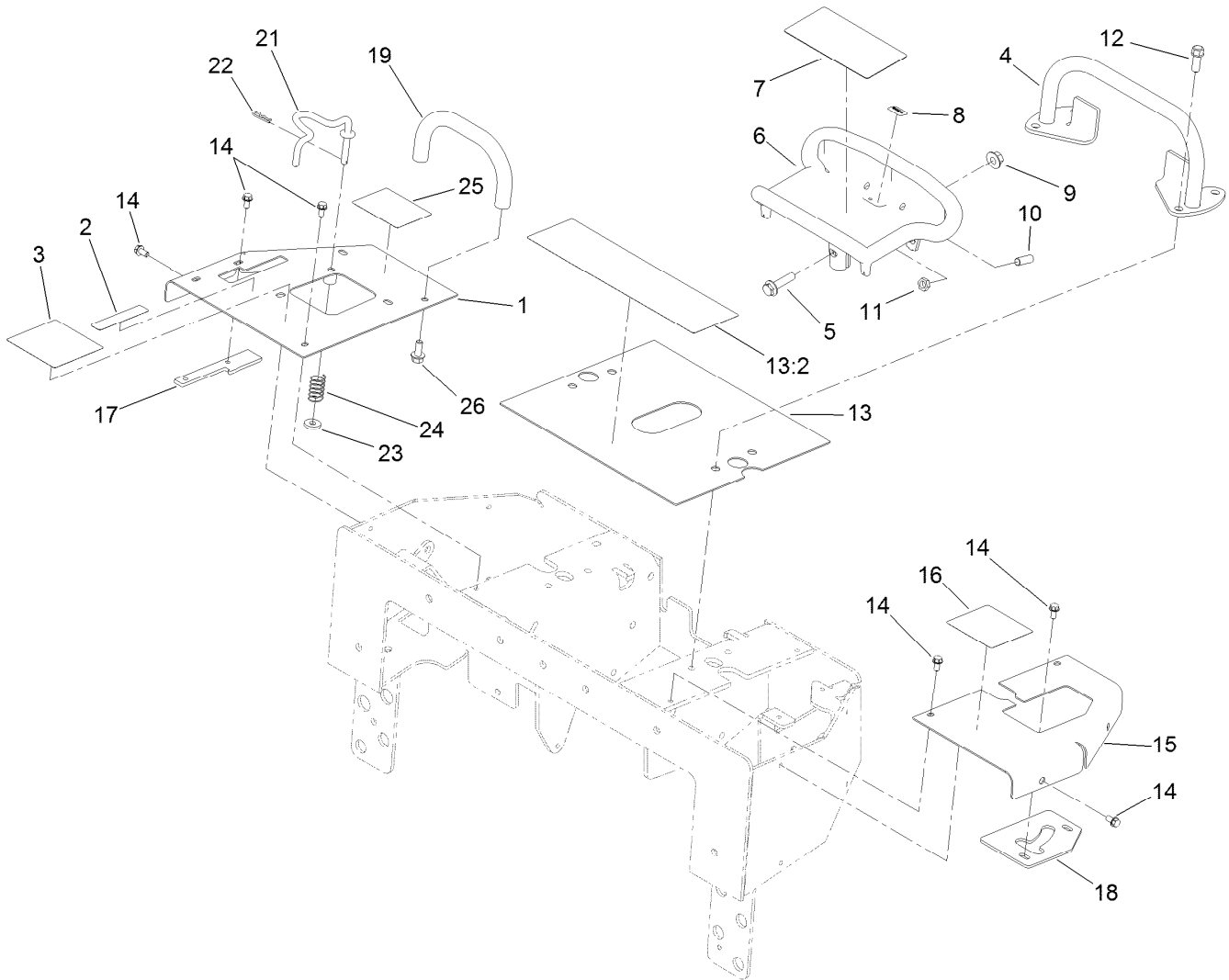
Traction Control Assembly



Traction Control Assembly (continued)

<i>Ref.</i>	<i>Part Number</i>	<i>Qty.</i>	<i>Description</i>	<i>Ref.</i>	<i>Part Number</i>	<i>Qty.</i>	<i>Description</i>
1	322-4	4	Screw-HH	19	3296-39	3	Nut-Lock, NI
2	27-2320	2	Bearing	20	112-2783	1	Lever-Pivot
3	322-7	1	Screw-HH	21	257-8	1	Washer-Thrust
4	251-259	1	Bearing-Ball	22	106-5737	1	Control Support ASM
5	88-7450	1	Spacer-Lever, Control	22:2	256-252	2	Bearing-Flange
6	3296-47	1	Nut-Lock, NI	23	117-6335	1	Rod-Drive
7	114-0282	1	Screw-HH	24	117-9915	4	Spacer
8	3256-22	1	Washer-Flat	25	103-1167	2	Joint-Ball End, LH
9	3253-3	1	Washer-Lock	26	3274-2	2	Screw-HSH
10	3217-5	1	Nut-Hex	27	3220-16	2	Nut-Hex Jam, LH
11	323-8	1	Screw-HH	28	117-9900	2	Rod-Linkage
12	3296-29	8	Nut-Lock, NI	29	322-6	2	Screw-HH
13	98-8407	1	Lever-Return, RH	30	117-3964-03	2	Arm-Control, Pump
14	108-4724	1	Spring-Extension	31	117-9969	2	Bearing-Rod End, RH
15	63-2650	2	Screw-Shoulder	32	33113-030	2	Screw-HH
16	32151-91	1	Ring-Retaining	33	33023-00	2	Nut-Lock
17	108-9743	3	Washer-Plain	34	3256-39	2	Washer-Flat
18	98-8408	1	Lever-Return, LH	35	95-3703	2	Washer-Spring, Wave

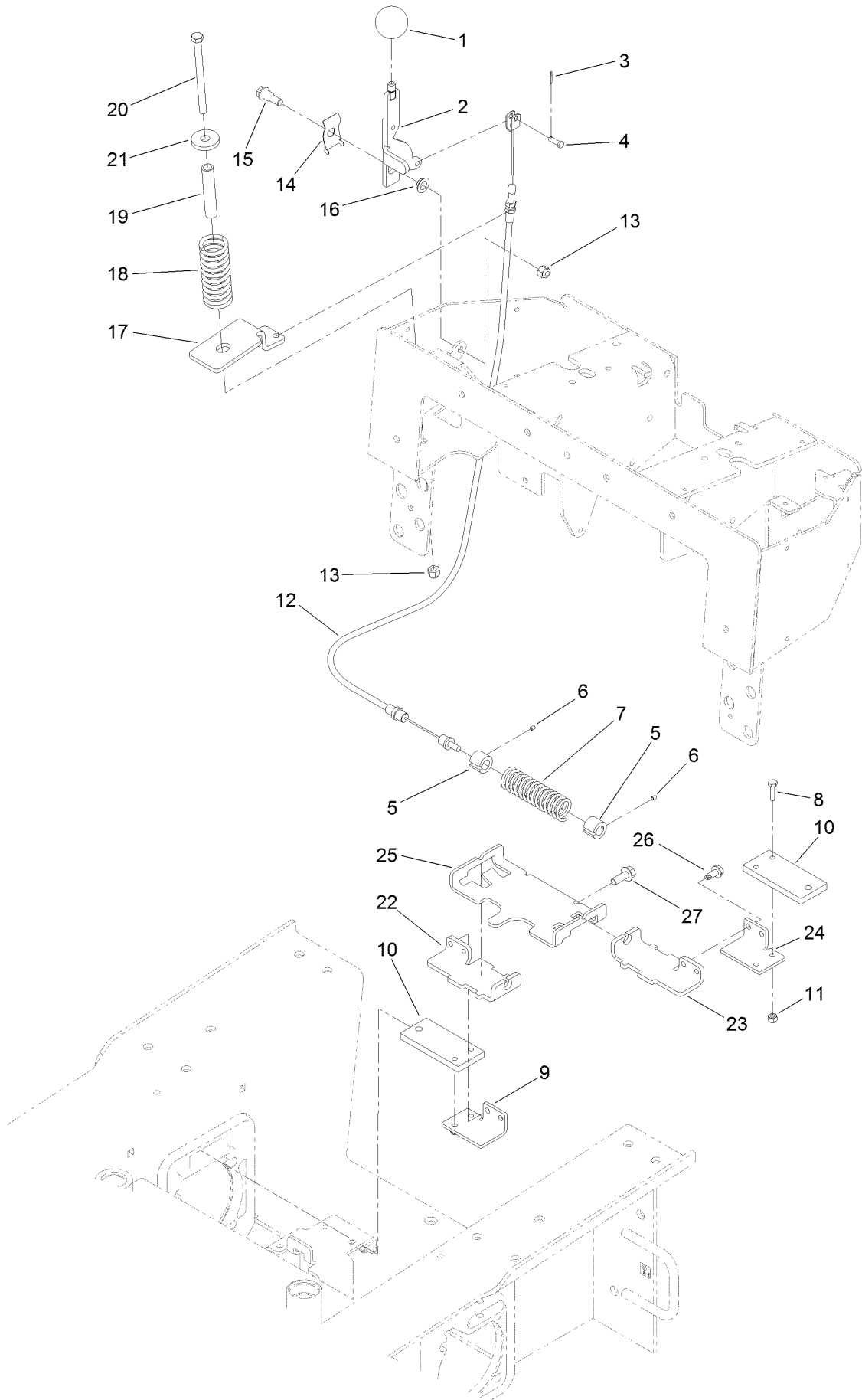
Control Handle and Reference Bar Assembly



Control Handle and Reference Bar Assembly (continued)

<i>Ref.</i>	<i>Part Number</i>	<i>Qty.</i>	<i>Description</i>	<i>Ref.</i>	<i>Part Number</i>	<i>Qty.</i>	<i>Description</i>
1	115-4836-01	1	Panel-RH	13:2	115-4860	1	Decal-Danger
2	115-4859	1	Decal-Brake	14	9266714	11	Screw-HWH
3	115-4857	1	Decal-Control, Loader	15	112-2737-01	1	Panel-LH
4	106-7715	1	Bar-Reference	16	115-4861	1	Decal-Control, Auxiliary
5	3234-18	1	Screw-HHF	17	112-2691	1	Plate-Locking, Brake
6	120-5380-03	1	Handle-Control	18	112-2749-01	1	Plate-Stop
7	115-4020	1	Decal-Traction	19	112-2620	1	Bar-Reference
8	98-1459	1	Decal	21	115-4580	1	Rod-Interlock
9	32128-43	1	Nut-Flange	22	3290-307	1	Pin-Cotter
10	3247-6	2	Screw-Set	23	88-7200	1	Washer-Flat
11	3218-3	2	Nut-Jam	24	85-6750	1	Spring-Control
12	95-1726	4	Screw-Taptite	25	115-4862	1	Decal-Loader Lock
13	108-4643	1	Center Panel ASM	26	3234-5	2	Screw-HHF

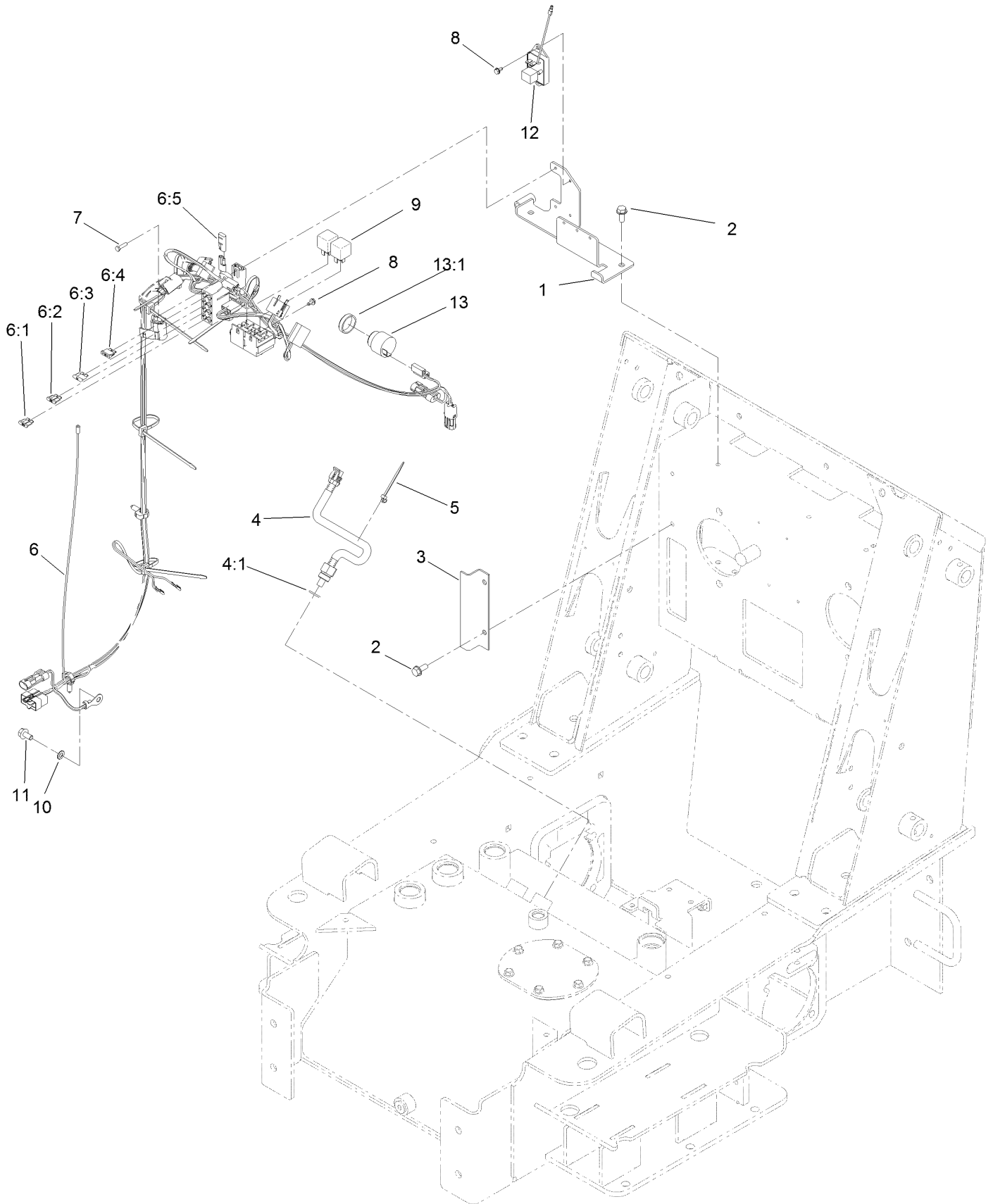
Brake Handle and Bracket Assembly



Brake Handle and Bracket Assembly (continued)

<i>Ref.</i>	<i>Part Number</i>	<i>Qty.</i>	<i>Description</i>	<i>Ref.</i>	<i>Part Number</i>	<i>Qty.</i>	<i>Description</i>
1	233-21	1	Knob	15	94-6177	1	Bolt-Shoulder
2	112-2694-03	1	Handle-Brake	16	93-2368	1	Bushing-Flange
3	3272-1	1	Pin-Cotter	17	115-4854-03	1	Bracket-Cable, Spring
4	283-67	1	Pin-Clevis	18	114-1254	1	Spring-Compression
5	100-6274	2	Tube-Guide	19	114-1255	1	Spacer-Spring
6	3245-20	2	Screw-HSH	20	323-39	1	Screw-HH
7	100-1678	1	Spring	21	98-0691	1	Washer-Hardened
8	321-6	4	Screw-HH	22	112-2788-03	1	Bracket-Mounting, Brake RH
9	112-2789-03	1	Bar-Link, Brake RH	23	112-2733-03	1	Bracket-Mounting, Brake LH
10	112-2735-03	2	Plate-Brake	24	112-2734-03	1	Bar-Link, Brake LH
11	3296-42	4	Nut-Lock, NI	25	110-0224-03	1	Support-Bar, Brake
12	112-2791	1	Cable-Brake	26	32104-32	4	Screw-HWH
13	3296-39	2	Nut-Lock, NI	27	3234-11	2	Screw-HHF
14	112-2695	1	Spring-Leaf				

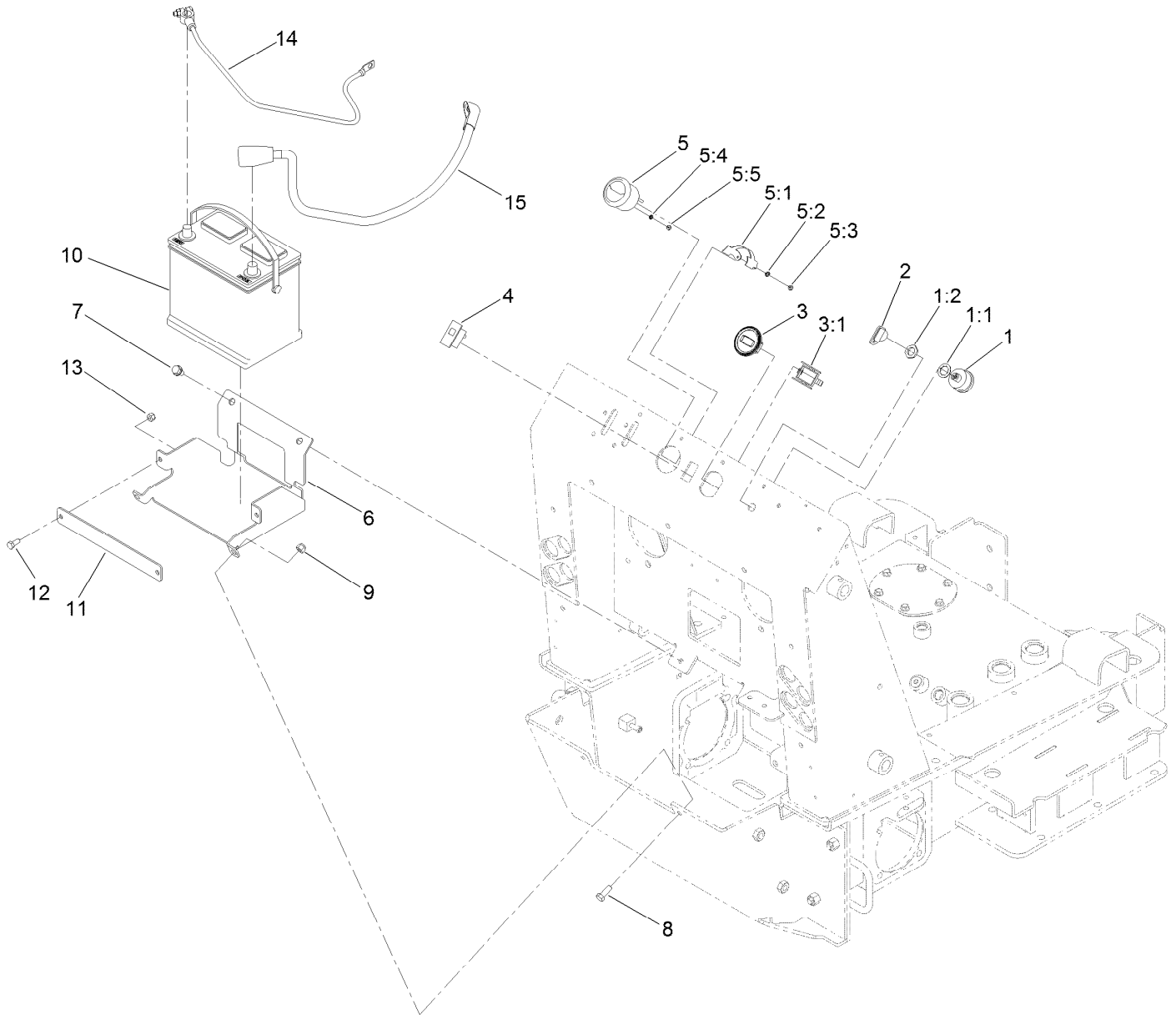
Wire Harness, Temperature Sensor and Shield Assembly



Wire Harness, Temperature Sensor and Shield Assembly (continued)

<i>Ref.</i>	<i>Part Number</i>	<i>Qty.</i>	<i>Description</i>	<i>Ref.</i>	<i>Part Number</i>	<i>Qty.</i>	<i>Description</i>
1	117-1735-03	1	Bracket-Fuse/Relay	6:4	109355	2	Fuse-Blade, 15 Amp
2	32144-11	4	Screw-HWH	6:5	116-0053	1	Cap-Plug
3	100-6117-03	1	Shield-Wiring	7	32104-4	2	Screw
4	98-2765	1	Switch-Temperature	8	104-2065	4	Screw-HWH
4:1	237-79	1	O-Ring	9	98-7249	2	Relay
5	3290-381	3	Tie-Cable	10	3255-8	1	Washer-Lock
6	117-1732	1	Harness-Wire	11	33104-016	1	Screw-HHF
6:1	109103	1	Fuse-Blade, 30 Amp	12	99-7422	1	Module-Delay, Ignition
6:2	109102	1	Fuse-Blade, 25 Amp	13	80-9330	1	Audio Alarm ASM
6:3	218-578	1	Fuse-Blade, 10 Amp	13:1	104-5107	1	Nut-Plastic, Knurled

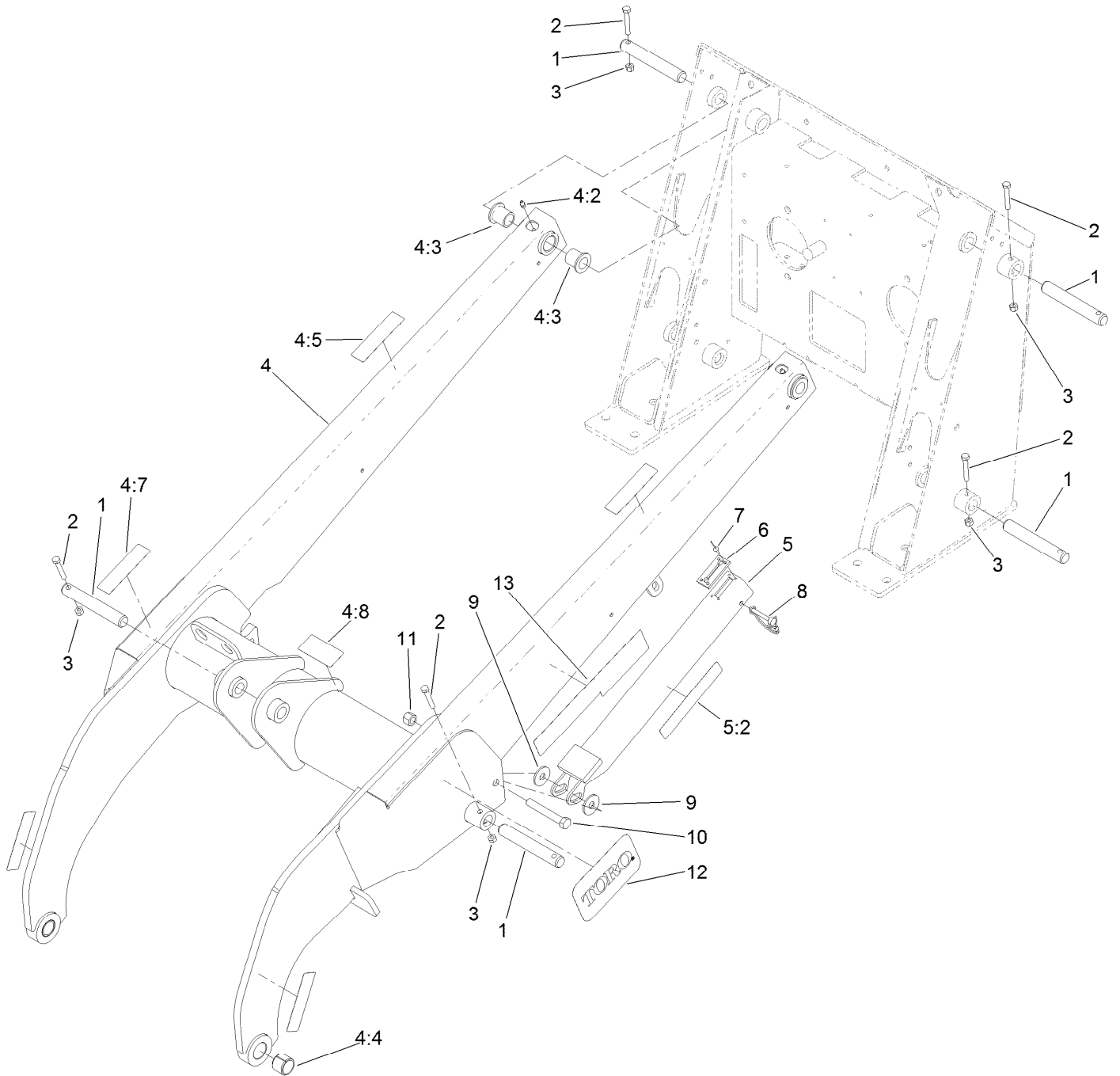
Battery, Key Switch and Fuel Gauge Assembly



Battery, Key Switch and Fuel Gauge Assembly (continued)

<i>Ref.</i>	<i>Part Number</i>	<i>Qty.</i>	<i>Description</i>	<i>Ref.</i>	<i>Part Number</i>	<i>Qty.</i>	<i>Description</i>
1	88-9830	1	Key Switch ASM	5:5	3217-16	3	Nut-Hex
1:1	3254-5	1	Washer-Lock	6	106-9390-03	1	Tray-Mounting, Battery
1:2	218-461	1	Nut-HH	7	32144-69	2	Screw-HWHTF
2	63-8360	3	Key-Ignition	8	323-6	2	Screw-HH
3	104-7427	1	Inductive Hourmeter ASM	9	3296-39	2	Nut-Lock, NI
3:1	104-4234	1	Clip-Mounting	10	104-9979	1	Battery
4	104-2839	1	Light-Temp, Oil	11	105-0371-03	1	Clamp-Battery
5	66-2940	1	Gauge-Fuel	12	322-3	2	Screw-HH
5:1	100-6147	1	Bracket-Mounting, Gauge	13	3296-29	2	Nut-Lock, NI
5:2	3254-1	2	Washer-Lock, Int	14	106-5708	1	Cable-Battery, Negative
5:3	3217-27	2	Nut-Hex	15	106-5707	1	Cable-Battery, Positive
5:4	3255-24	3	Washer-Lock / EXT				

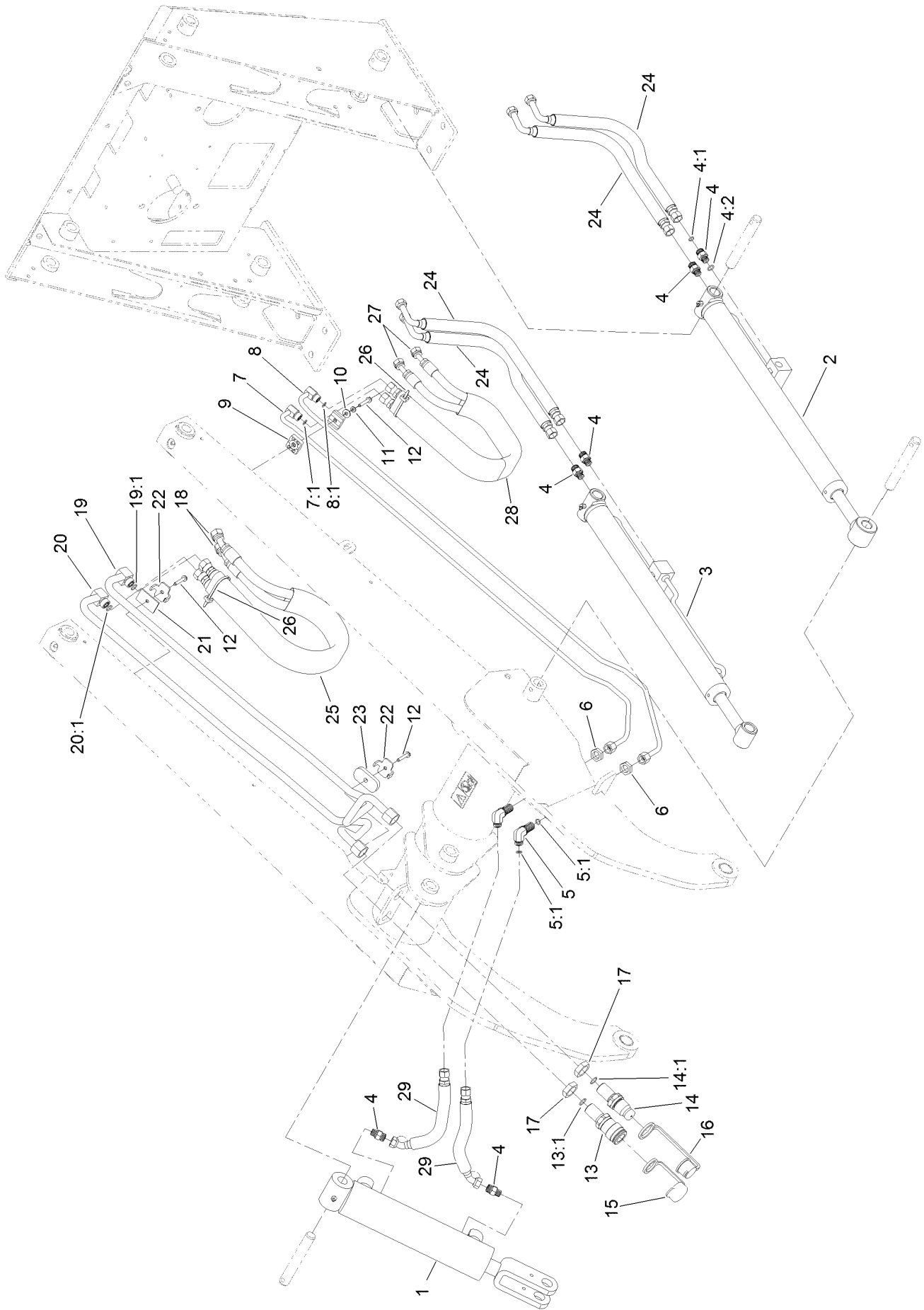
Loader Arm Assembly



Loader Arm Assembly (continued)

<i>Ref.</i>	<i>Part Number</i>	<i>Qty.</i>	<i>Description</i>	<i>Ref.</i>	<i>Part Number</i>	<i>Qty.</i>	<i>Description</i>
1	104-2849	7	Pin-Locking	5	108-4639	1	Locking Arm ASM
2	322-10	7	Screw-HH	5:2	115-4858	2	Decal-Danger
3	3296-29	7	Nut-Lock, NI	6	98-0083	1	Stop-Rubber
4	108-4638	1	Loader Arm ASM	7	95-1687	4	Rivet
4:2	302-5	2	Fitting-Grease	8	100-1663	1	Pin-Hitch
4:3	95-3577	4	Bushing	9	68-1440	2	Washer-Rubber
4:4	98-4871	2	Bushing-Tension	10	325-14	1	Screw-HH
4:5	100-8821	4	Decal-Warning, Pinch	11	3296-23	1	Nut-Lock, NI
4:7	115-4855	1	Decal-Caution	12	105-1217	2	Decal
4:8	100-8822	1	Decal-No Rider	13	115-4867	2	Decal

Loader Arm Hydraulic Assembly

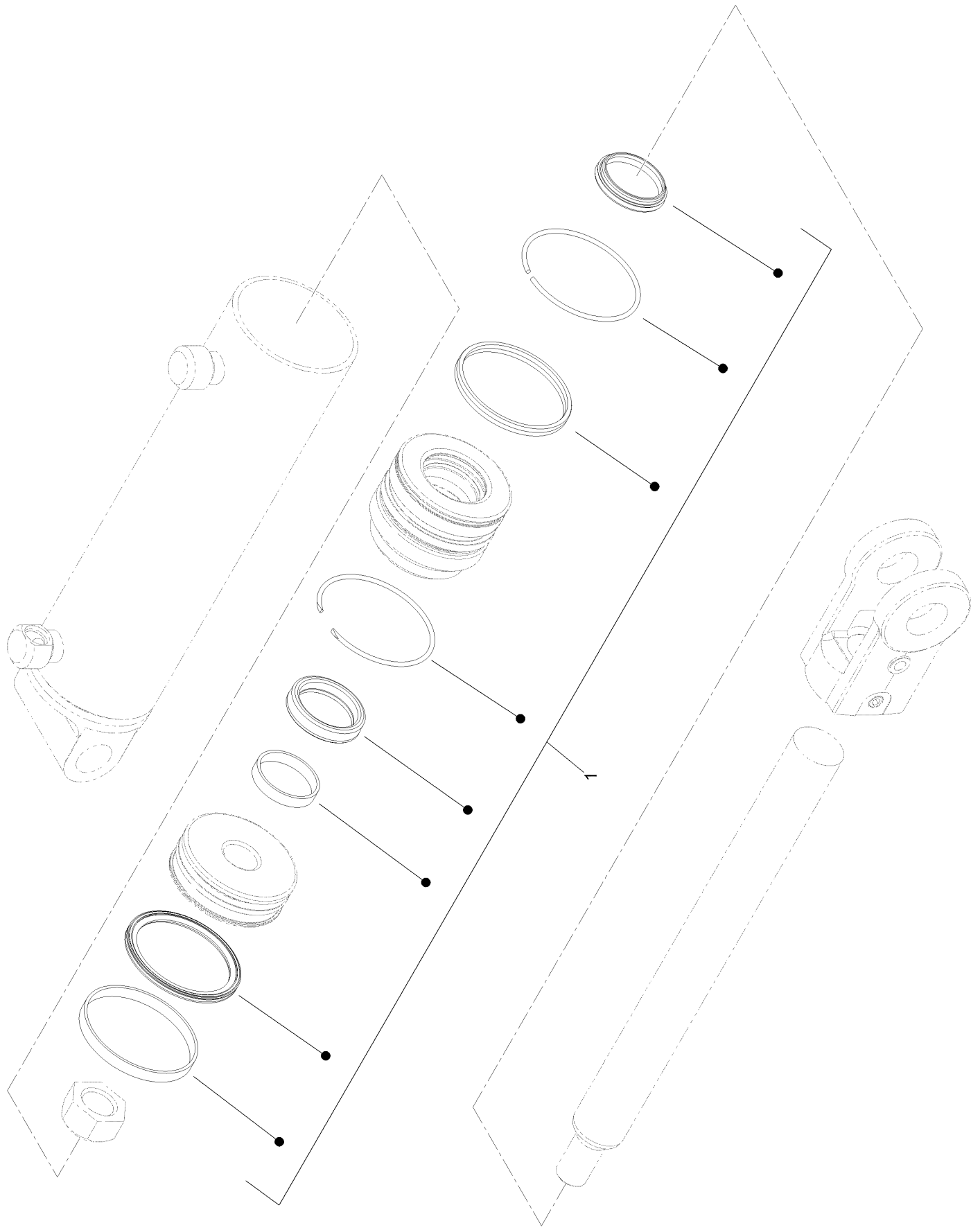


Loader Arm Hydraulic Assembly (continued)

<i>Ref.</i>	<i>Part Number</i>	<i>Qty.</i>	<i>Description</i>	<i>Ref.</i>	<i>Part Number</i>	<i>Qty.</i>	<i>Description</i>
1	139-0778	1	HYD CYL ASM	14:1	237-65	1	O-Ring
2	139-0776	1	LH HYD CYL ASM	14:2	100-6120	1	Seal Kit ●
3	139-0777	1	RH HYD CYL ASM	15	100-8816	1	Cap-Dust, Coupler
4	340-2	6	Fitting-Straight	16	100-8815	1	Cap-Dust, Nipple
4:1	237-22	1	O-Ring	17	340-74	2	Nut-Lock, Bulkhead
4:2	237-42	1	O-Ring	18	98-0242	2	Hose-HYD
5	340-154	2	Union-Bulkhead	19	112-2563	1	HYD Tube ASM
5:1	237-22	2	O-Ring	19:1	237-30	1	O-Ring
6	340-70	2	Nut-Lock	20	108-6319	1	HYD Tube ASM
7	106-9364	1	HYD Tube ASM	20:1	237-30	1	O-Ring
7:1	237-22	1	O-Ring	21	106-9366	1	Spacer-Hardline
8	106-9365	1	HYD Tube ASM	22	98-0237	2	Plate-Clamp, Tube
8:1	237-22	1	O-Ring	23	112-2565	1	Plate-Hardline
9	56-7973	2	Clamp-Tube	24	98-0216	4	Hose-HYD
10	3256-2	1	Washer-Flat	25	100-6128	1	Sleeve-Protective
11	3253-3	1	Washer-Lock	26	3290-378	2	Tie-Cable
12	94-2691	3	Screw-HWH	27	98-0213	2	Hose-HYD
13	105-8394	1	Bulkhead Coupler ASM	28	100-6127	1	Sleeve-Protective
13:1	237-65	1	O-Ring	29	98-0207	2	Hose-HYD
14	105-8395	1	Bulkhead Nipple ASM				

● Not illustrated

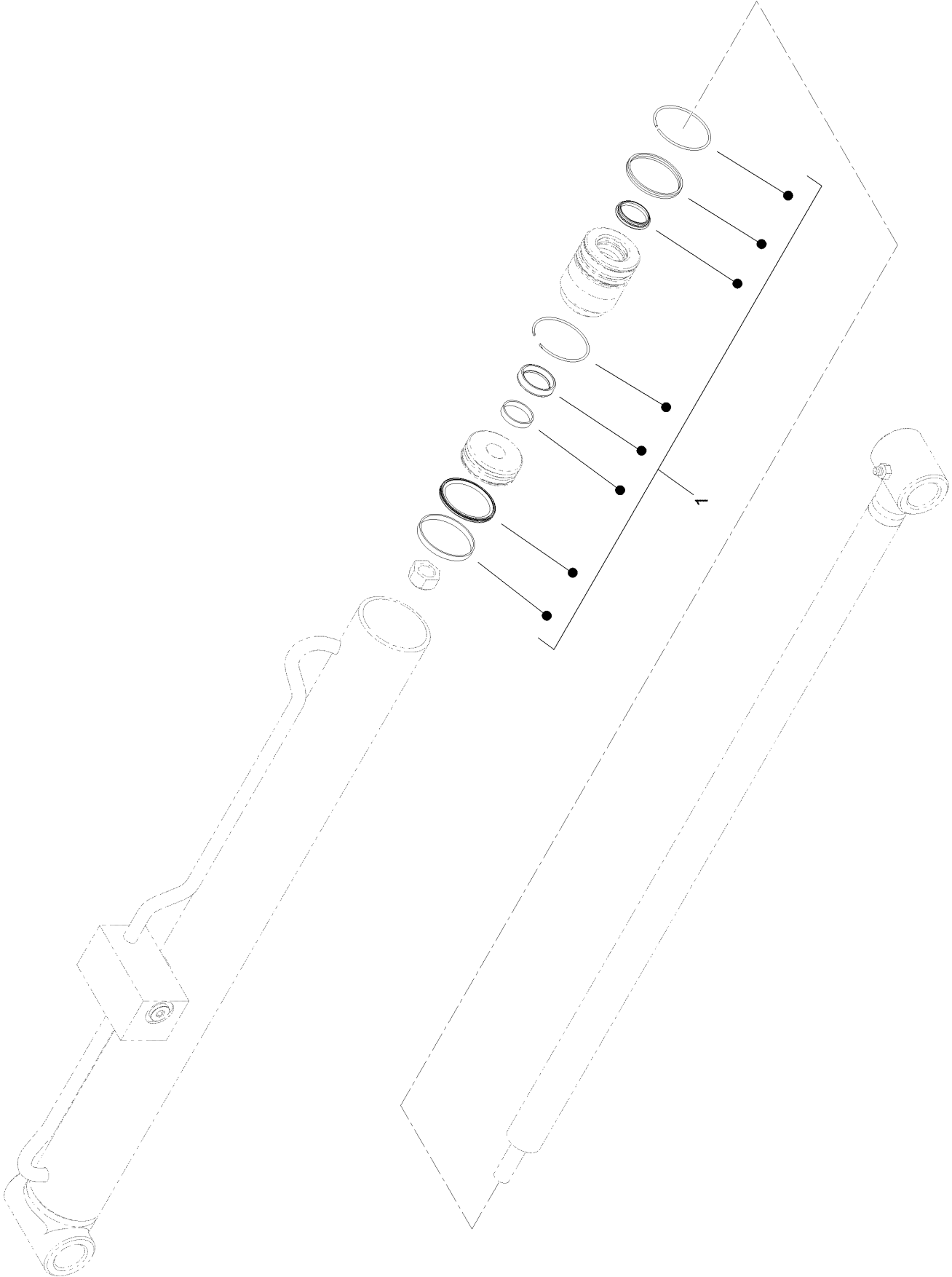
Hydraulic Cylinder Assembly No. 139-0778



Hydraulic Cylinder Assembly No. 139-0778 (continued)

<i>Ref.</i>	<i>Part Number</i>	<i>Qty.</i>	<i>Description</i>
1	139-0808	1	Seal Kit

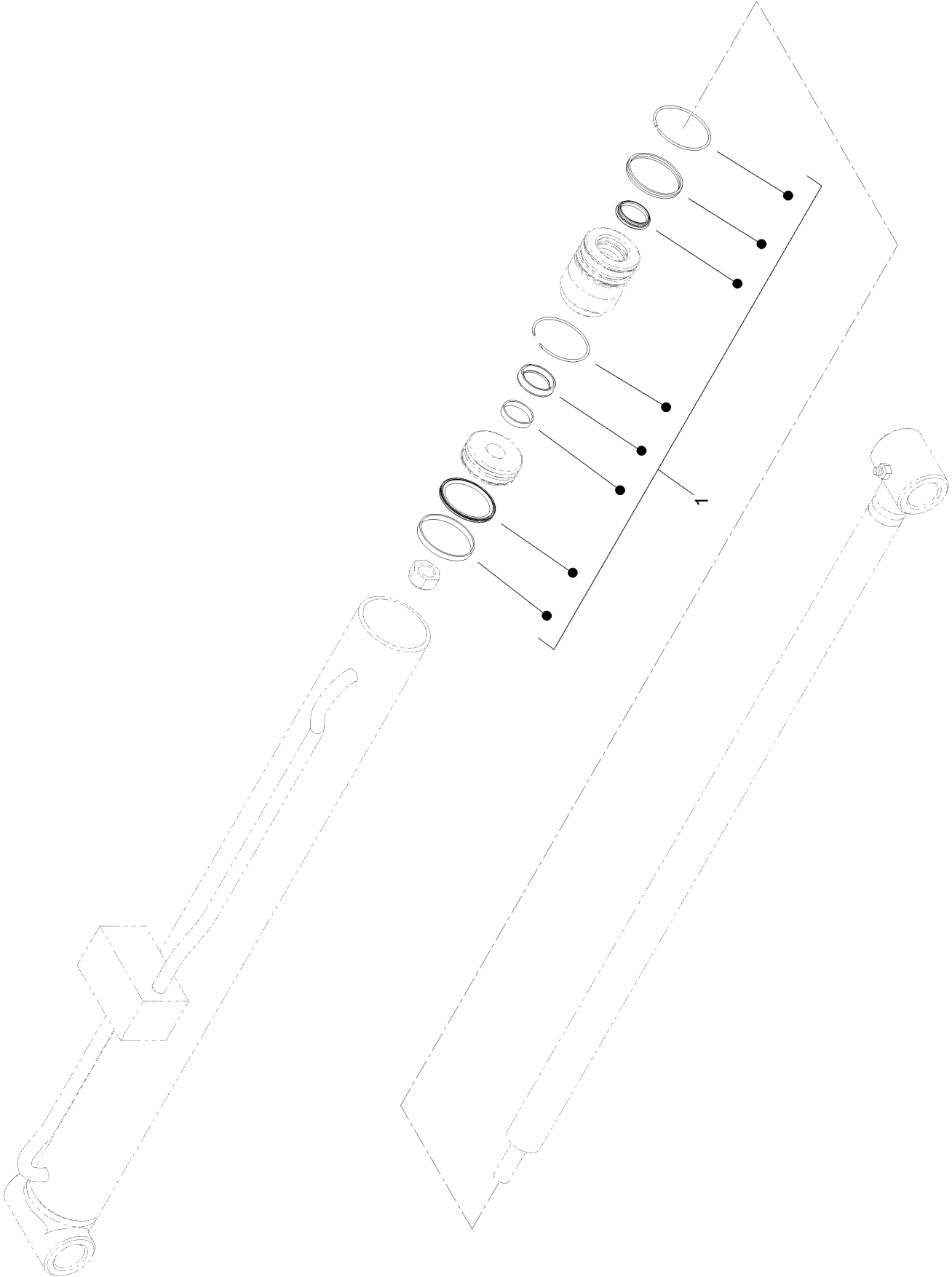
Hydraulic Cylinder Assembly No. 139-0776



Hydraulic Cylinder Assembly No. 139-0776 (continued)

<i>Ref.</i>	<i>Part Number</i>	<i>Qty.</i>	<i>Description</i>
1	139-0807	1	Seal Kit

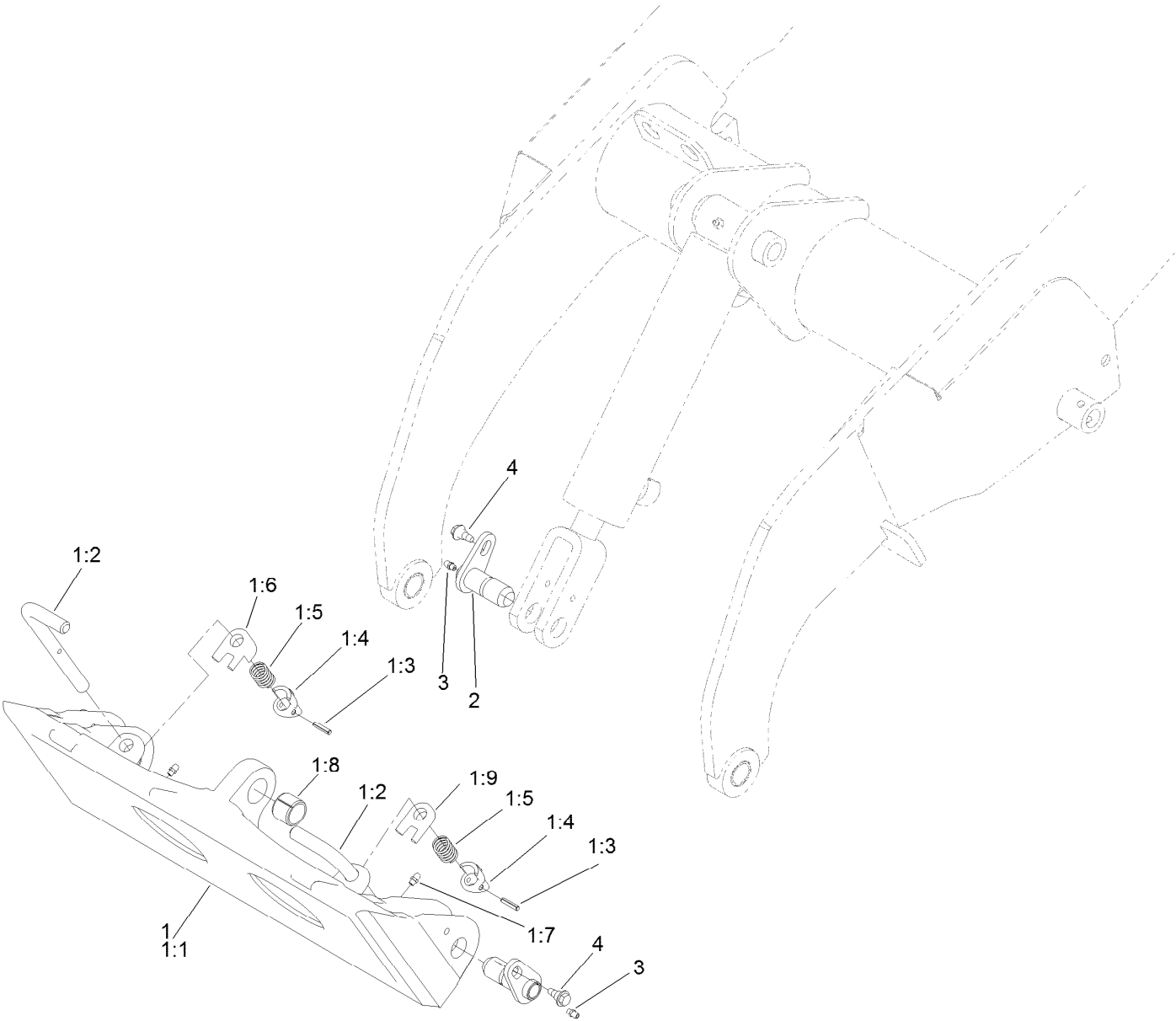
Hydraulic Cylinder Assembly No. 139-0777



Hydraulic Cylinder Assembly No. 139-0777 (continued)

<i>Ref.</i>	<i>Part Number</i>	<i>Qty.</i>	<i>Description</i>
1	139-0807	1	Seal Kit

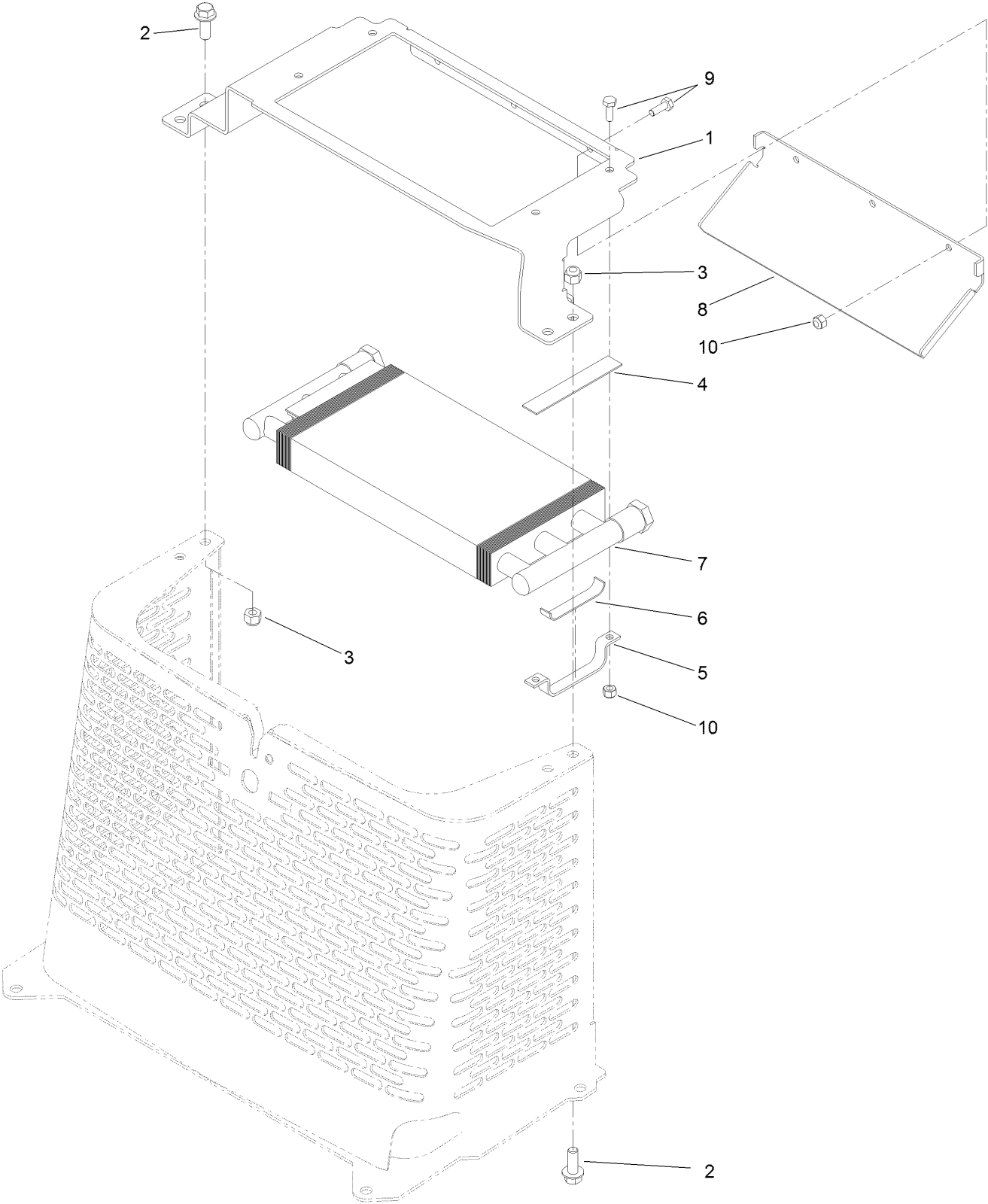
Quick Attach Assembly



Quick Attach Assembly (continued)

<i>Ref.</i>	<i>Part Number</i>	<i>Qty.</i>	<i>Description</i>	<i>Ref.</i>	<i>Part Number</i>	<i>Qty.</i>	<i>Description</i>
1	132-8418	1	Quick Attach ASM	1:7	3285-1	2	Pin-Grooved
1:1	130-7708-03	1	Mount-Qtach	1:8	302-5	2	Fitting-Grease
1:2	105-0246	2	Cam	1:9	98-4871	1	Bushing-Tension
1:3	98-4694	2	Spring-Compression	2	130-5222	3	Pin-Pivot
1:4	104-5909	1	Stop-RH	3	302-5	3	Fitting-Grease
1:5	104-5903	1	Stop-LH	4	99-5105	3	Screw-Shoulder
1:6	132-8419	2	Pin-Locking				

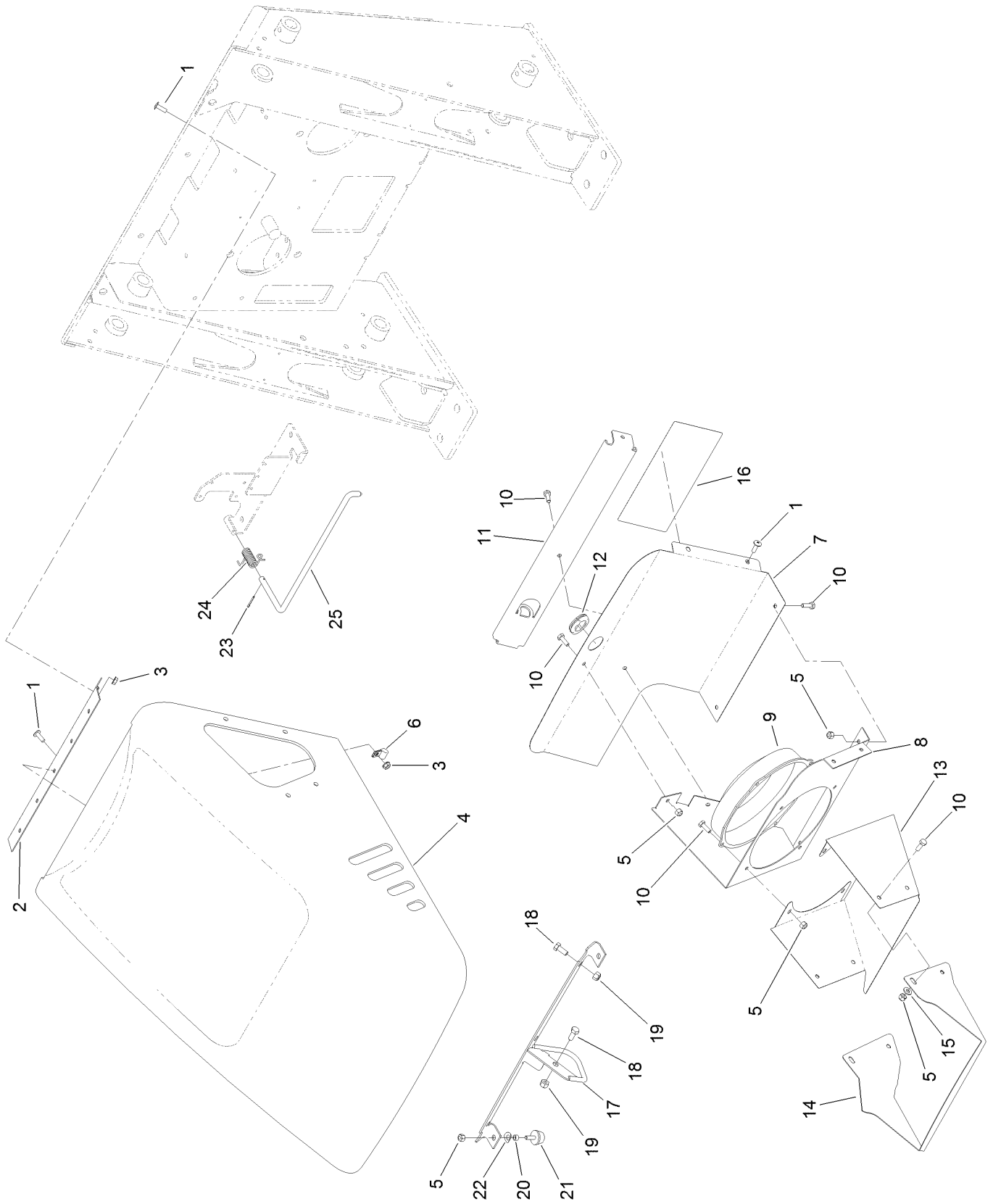
Heat Exchanger Assembly



Heat Exchanger Assembly (continued)

<i>Ref.</i>	<i>Part Number</i>	<i>Qty.</i>	<i>Description</i>	<i>Ref.</i>	<i>Part Number</i>	<i>Qty.</i>	<i>Description</i>
1	120-5360-03	1	Bracket-Mounting, Cooler	6	104-2816	2	Pad-Support
2	3234-42	4	Screw-HHF	7	105-0352	1	Exchanger-Heat
3	3296-39	4	Nut-Lock, NI	8	115-0798-03	1	Deflector-Cooler
4	94-9566	2	Pad-Footrest	9	321-4	7	Screw-HH
5	104-2803	2	Support-Cooler	10	3296-42	7	Nut-Lock, NI

Hood and Fan Assembly



Hood and Fan Assembly (continued)

<i>Ref.</i>	<i>Part Number</i>	<i>Qty.</i>	<i>Description</i>	<i>Ref.</i>	<i>Part Number</i>	<i>Qty.</i>	<i>Description</i>
1	9114604	14	Screw-Head, Truss	16	139-8823	1	Decal-Service Tx427 ES
2	100-1284	1	Hinge-Hood	16	139-8827	1	Decal-Service Tx427 Fr
3	32128-33	6	Nut-HF	16	139-8832	1	Decal-Service Tx427 It
4	114-1363	1	Hood	16	139-8837	1	Decal-Service Tx427 Ne
5	3296-42	22	Nut-Lock, NI	16	139-8842	1	Decal-Service Tx427 PI
6	2412-91	2	Clamp	16	139-8847	1	Decal-Service Tx427 Ru
7	114-8715-03	1	Bracket-Fan, Back	16	139-8852	1	Decal-Service Tx427 Sk
8	114-8714-03	1	Bracket-Fan, Back	17	117-1725-03	1	Latch-Rod
9	104-2809	1	Fan	18	322-3	4	Screw-HH
10	321-4	12	Screw-HH	19	3296-29	4	Nut-Lock, NI
11	115-4849-03	1	Bracket-Support, Hood	20	106-9308	2	Spacer
12	240-5	1	Grommet	21	1-523420	2	Bumper
13	114-8711-03	1	Shroud-Fan	22	121-4605	2	Washer-Spring
14	114-8712-03	1	Shroud-Fan, Front	23	3272-6	1	Pin-Cotter
15	3256-22	2	Washer-Flat	24	106-2584	1	Spring-Torsion
16	139-8812	1	Decal-Service, Tx 427	25	106-2554	1	Rod-Support, Hood
16	139-8818	1	Decal-Service Tx427 De				

Attachments and Accessories

For 22322 TX 427 Wide Track Compact Tool Carrier

Product Name	Model/Part
4 Cubic Foot Standard Bucket	22409
Loose Materials Bucket	22410
Narrow Bucket	22520
Auger Head	22805
Universal Swivel Auger Head	22806
Crumber Kit	22464
Trench Filler	22472
Adjustable Forks	22341
Multi-Purpose Tool	22423
Tree Forks	22438
Leveler	23165
48in Hydraulic Blade	22414
Concrete Breaker	23135
Cement Bowl	22442
Backhoe	23163
Backhoe Fitup Kit	23162
Stump Grinder	22429
Dingo Grapple Rake	22577
40in Tiller	22445
Soil Cultivator	23102
Direct Drive Power Box Rake	22426
Vibratory Plow	22911
Bore Drive Head	22420
Rod and Reamer	22421
TX Platform	22475
Light Kit	100-8840
Road Wheel Kit	106-7620
Reference Guide Kit	107-9310
Spark Arrestor Screen	75-6880
Track-Aggressive Tread, Wide	108-9749
High-Torque Trencher Head	22473
High-Speed Trencher Head	22474
50 Hour Filter Kit	136-4774
200 Hour Filter Kit	136-4775
Dingo 4-in-1 Bucket	22478
18in Auger Bit	22814
24in Auger Bit	22815
30in Auger Bit	22816
12in Auger Bit Extension	22818
24in Auger Bit Extension	22819
6in Full-Flight Auger Bit	22820
9in Full-Flight Auger Bit	22821
12in Full-Flight Auger Bit	22822
15in Full-Flight Auger Bit	22823

Notes:

Notes:

Notes:



Count on it.