



Count on it.

Parts Catalog

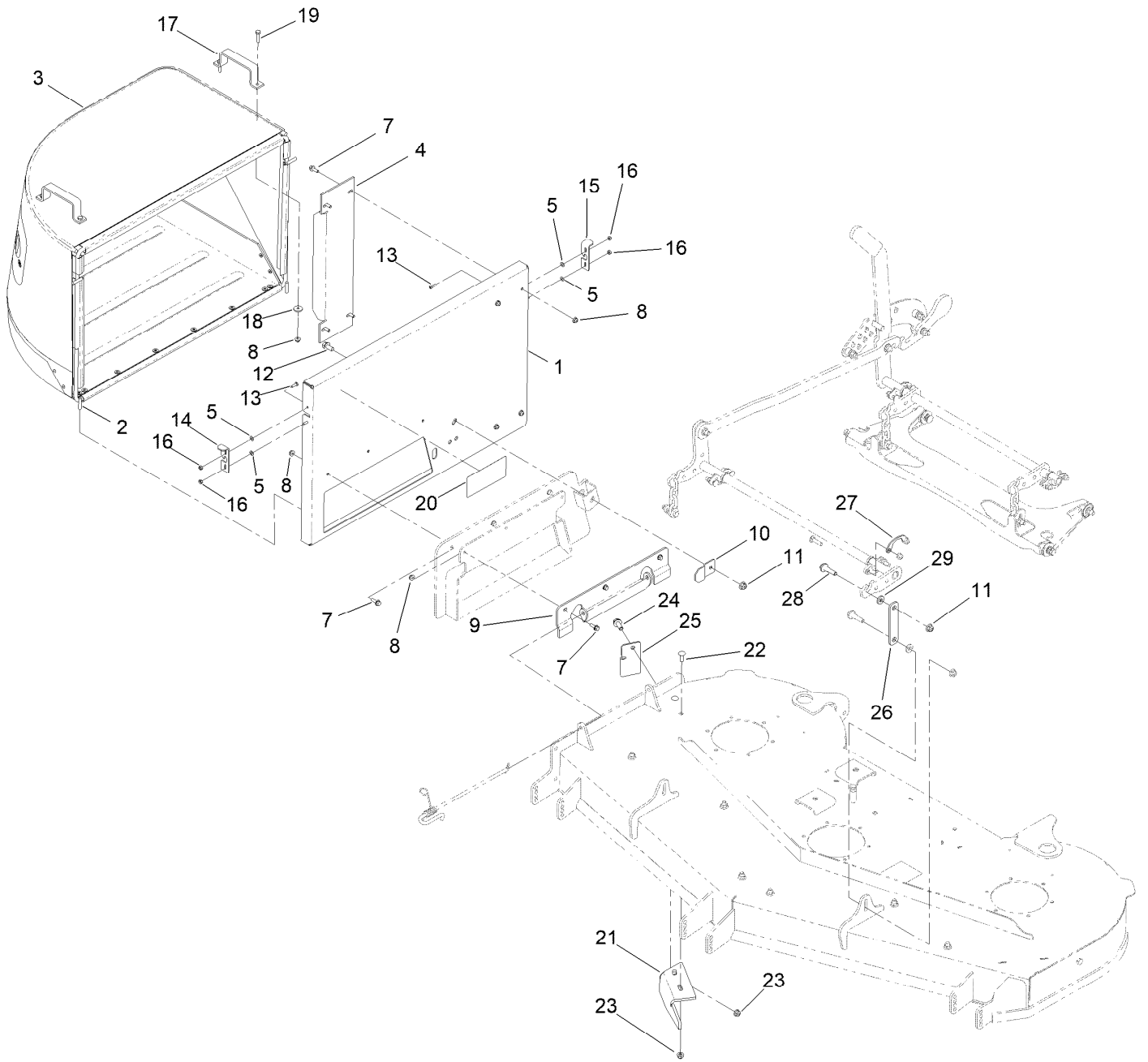
Soft Side Bagger

ProLine Commercial Walk-Behind Mower

Model No. 139-7860



Soft Side Bagger Assembly



Soft Side Bagger Assembly (continued)

| <i>Ref.</i> | <i>Part Number</i> | <i>Qty.</i> | <i>Description</i> | <i>Ref.</i> | <i>Part Number</i> | <i>Qty.</i> | <i>Description</i> |
|-------------|--------------------|-------------|--------------------------|-------------|--------------------|-------------|---------------------------------|
| 1 | 104-8577-03 | 1 | Plate-Bagger | 20 | 114-3489 | 1 | Decal-Warning, Bagger |
| 2 | 1-352007-03 | 1 | Frame-Catcher | 21 | 139-7903-03 | 1 | Baffle-Welded, 36/60In Decks |
| 3 | 131-1465 | 1 | Pan And Catcher | 21 | 139-7904-03 | 1 | Baffle-Welded, 48/54In Decks |
| 4 | 106-5542-03 | 1 | Bracket-Support, Bagger | 22 | 3230-22 | 2 | Screw-CARR, 48/54/60In Decks |
| 5 | 1-805500 | 4 | Washer-Spring | 22 | 3234-17 | 2 | Screw-HHF, 36In Deck |
| 7 | 3234-4 | 7 | Screw-HHF, 36/48In Decks | 23 | 104-8300 | 2 | Nut-HF, NI |
| 8 | 104-7201 | 11 | Nut-HF, 36/48In Decks | 24 | 3234-42 | 1 | Screw-HHF, 36/48/54In Decks |
| 9 | 140-4303-03 | 1 | Bracket,Bagger Mounting | 24 | 3274-104 | 1 | Screw-HSBH, 60In Deck |
| 10 | 139-5599-03 | 1 | Clamp - Bagger | 25 | 140-1858-01 | 1 | Guard-Bagger |
| 11 | 104-8301 | 2 | Nut-HF, NI | 26 | 140-7703 | 1 | Plate-Link, Bagger |
| 12 | 3234-1 | 1 | Screw-HHF, 54/60In Decks | 27 | 140-7743 | 1 | Plate-Stop |
| 13 | 3290-500 | 4 | Screw-PPH | 28 | 130-0742 | 1 | Bolt-Shoulder |
| 14 | 1-353011 | 1 | Latch-Catcher, LH | 29 | 138-7207 | 1 | Spacer-Hub, Blower |
| 15 | 1-353012 | 1 | Latch-Catcher, RH | | | | |
| 16 | 3296-2 | 4 | Nut-Lock, NI | | | | |
| 17 | 1-353005 | 2 | Handle | | | | |
| 18 | 1-353029 | 4 | Washer | | | | |
| 19 | 321-7 | 4 | Screw-HH | | | | |



Count on it.