



Count on it.

Parts Catalog

Sand Pro® 3040

Traction Unit

Model No. 08703—Serial No. 405800000 and Up



Ordering Replacement Parts

To order replacement parts, please supply the part number, the quantity, and the description of each part desired.

Understanding Reference Numbers

Each identified part in an illustration has a reference number. The reference number for a part also appears in the parts list, along with other information about the part.

This catalog uses two special reference number formats, one to indicate parts in a service assembly and another to indicate the quantity of a given part in an illustration.

Service Assembly Reference Numbers

Parts in service assemblies have reference numbers in the form a:b. The a represents the reference number of the entire service assembly and the b represents a sequential number unique to each part within the service assembly.

For example, a wheel assembly might be identified by reference number 6, the tire by 6:1, the valve by 6:2, and the wheel by 6:3. When you order the assembly identified by reference number 6, you receive all parts identified by reference numbers 6:1, 6:2, and 6:3. However, you may also order any part individually. Reference numbers of this type appear in illustration and in parts lists.

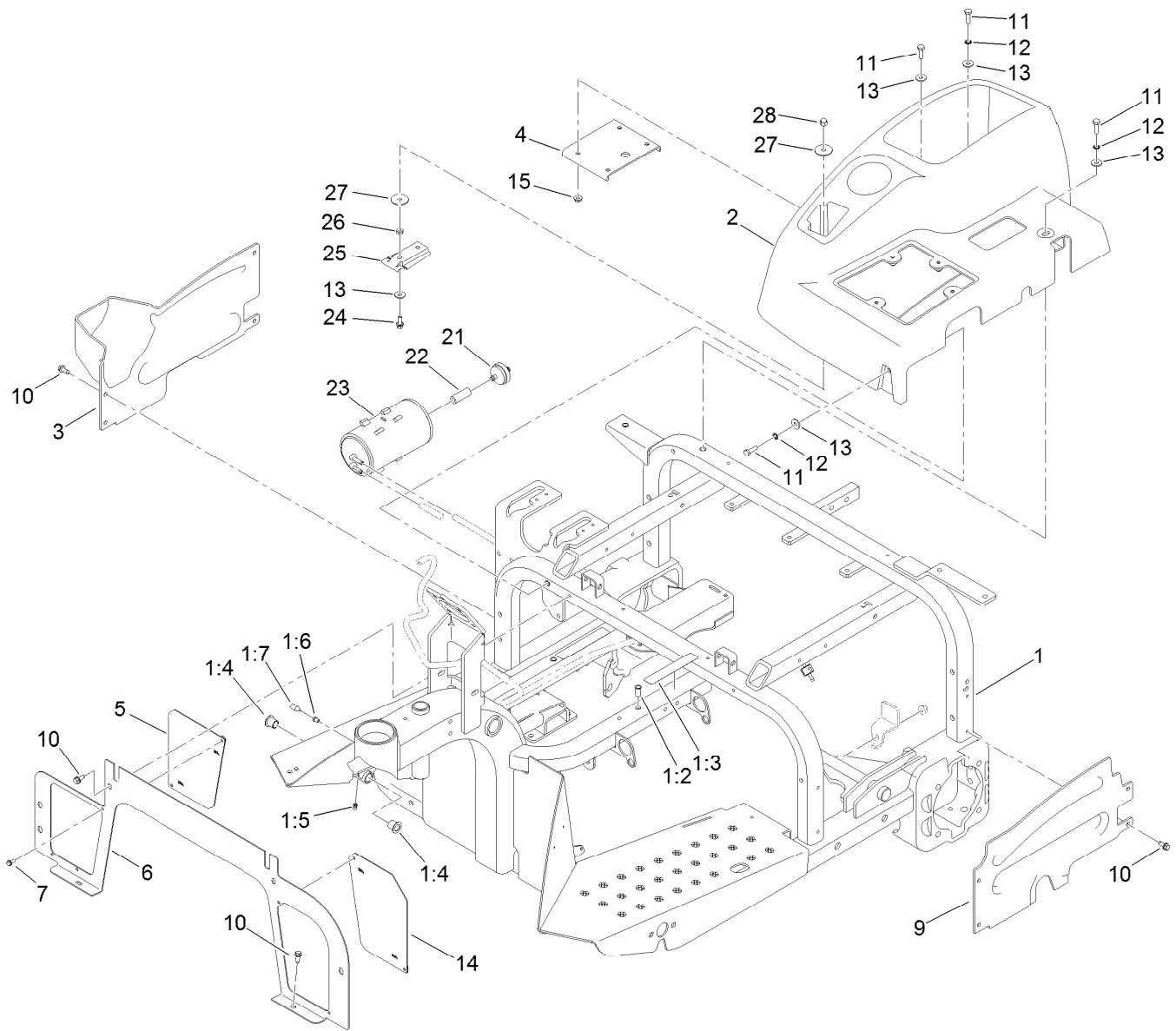
Reference Numbers Indicating Quantity

In an illustration, if a reference number indicates more than one part, the reference number has the form nX y. The n represents the quantity of the part, the X is the multiplication symbol, and the y represents the reference number.

For example, in an illustration, the reference number 2X 37 means that two of the parts identified by reference number 37 are indicated.

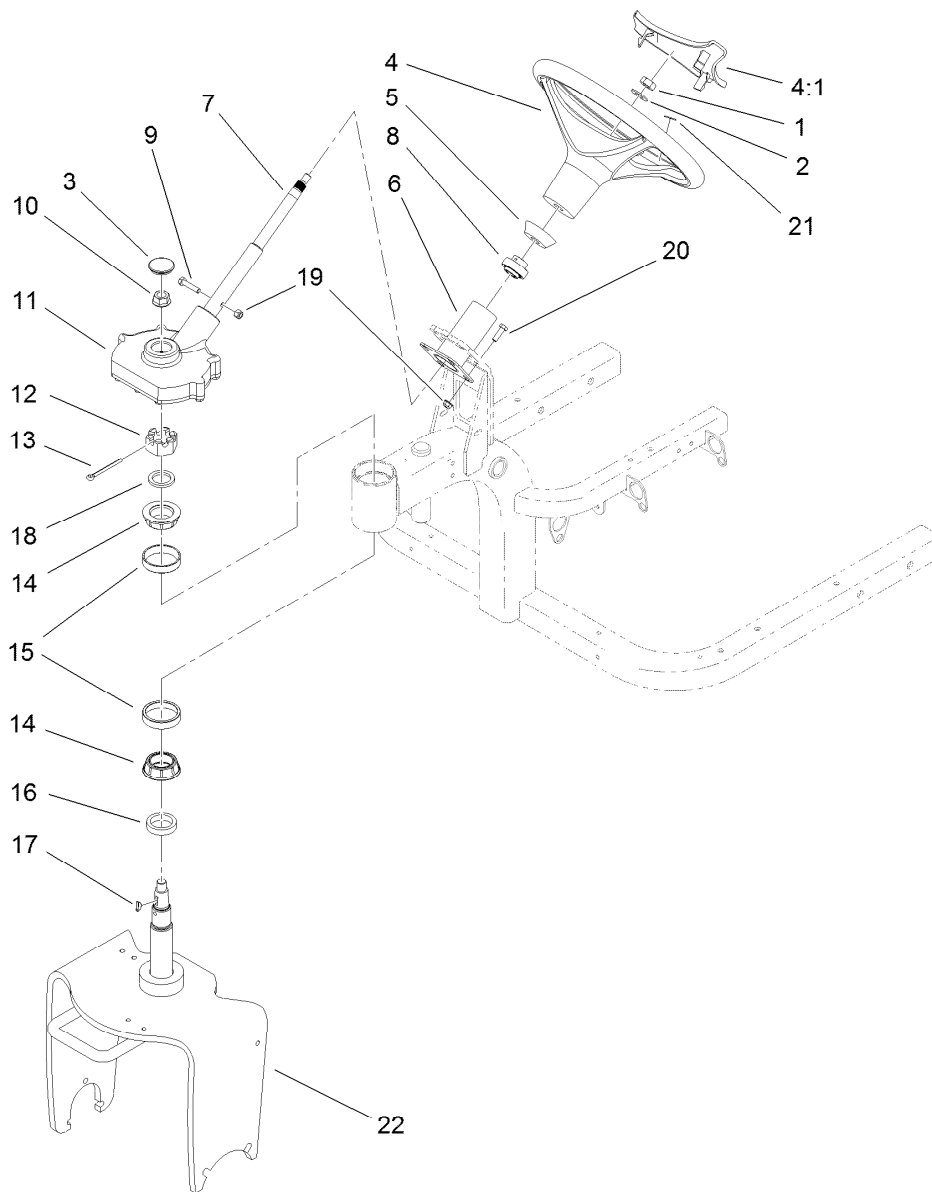
Contents

Frame and Console Assembly	4
Steering Assembly	5
Steering Box Assembly No. 107-3526	6
Front Wheel Assembly	7
Hydraulic Motor Assembly No. 108-2948	8
Rear Wheel Assembly	9
Hydraulic Motor Assembly No. 108-2949	10
Hydraulic Motor Assembly No. 108-2947	11
Fuel Tank and Battery Assembly	12
Traction Pedal Assembly	14
Pump Control Lever Assembly	15
Engine Installation Assembly	16
Pump and Coupling Assembly	17
Variable Piston Pump Assembly No. 132-4350	18
Lift Valve and Rear Tube Assembly	20
Hydraulic Valve Assembly No. 121-9070	22
Hydraulic Tank, Filter and Cooler Assembly	23
Seat and Shroud Assembly	24
Wire Harness, Air Cleaner and Hose Assembly	25
Air Cleaner Assembly No. 93-2190	26
Rear Hitch Assembly	27
Hydraulic Lift Cylinder Assembly No. 115-5647	28
Attachments and Accessories	29



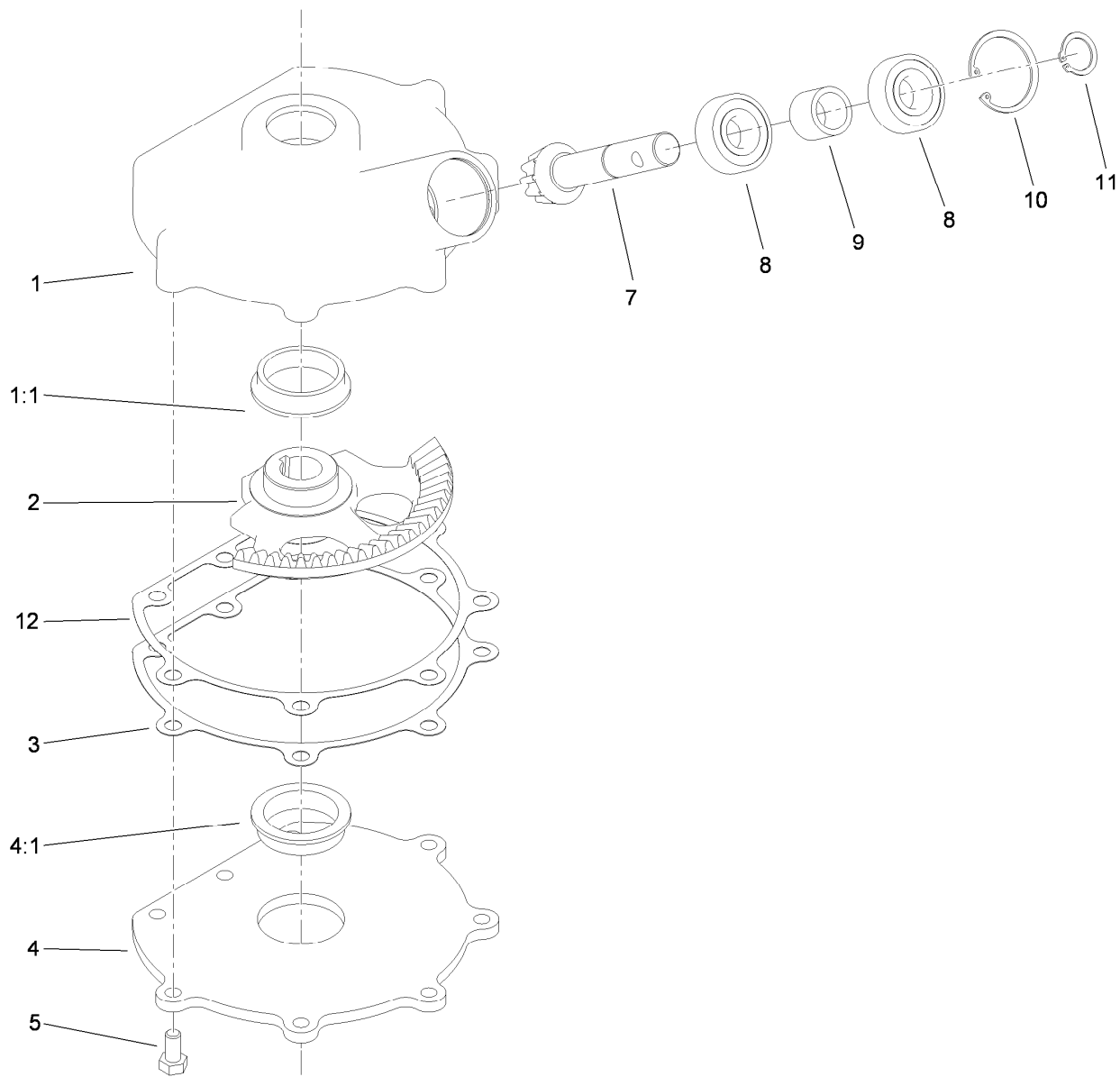
Frame and Console Assembly

<i>Ref.</i>	<i>Part Number</i>	<i>Qty.</i>	<i>Description</i>	<i>Ref.</i>	<i>Part Number</i>	<i>Qty.</i>	<i>Description</i>
1	110-3367	1	Frame ASM	10	32144-10	12	Screw-HWH
1:2	32148-11	5	Nut-Clinch	11	321-5	7	Screw-HH
1:3	93-7272	2	Decal-Warning	12	3254-8	3	Washer-Lock
1:4	256-219	2	Bushing	13	3256-78	8	Washer-Flat
1:5	302-58	1	Fitting-Straight	14	120-3491-01	1	Screen-Panel, LH
1:6	107-1997	1	Fitting-Grease	15	32128-33	4	Nut-HF
1:7	107-1998	1	Nozzle-Grease	21	115-7854	1	Filter-Fuel, Inline
2	108-2936	1	Console	22	106-5317	1	Hose-Fuel
3	108-6855	1	Shroud-Wheel, RH	23	127-8685	1	Canister-Carbon
4	108-7995-03	1	Plate-Support, Console	24	3234-33	1	Screw-HHF
5	120-3492-01	1	Screen-Panel, RH	25	114-0292	1	Bracket-Canister, Carbon
6	112-1443-01	1	Panel-Front	26	3218-1	1	Nut-Jam
7	3290-321	4	Screw-HWH	27	3256-57	2	Washer-Flat
9	108-6856	1	Shroud-Wheel, LH	28	32111-7	1	Nut-Cap



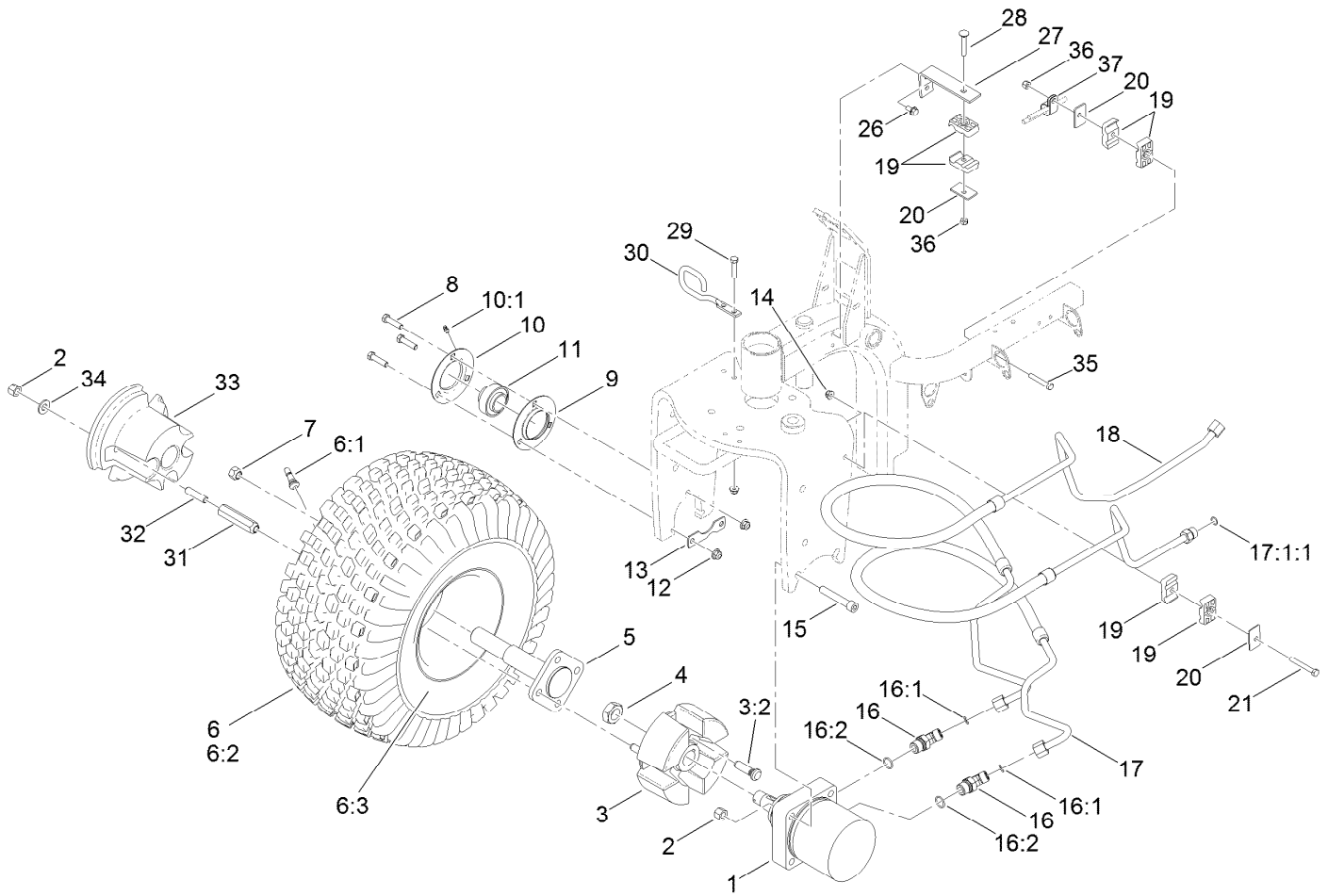
Steering Assembly

<i>Ref.</i>	<i>Part Number</i>	<i>Qty.</i>	<i>Description</i>	<i>Ref.</i>	<i>Part Number</i>	<i>Qty.</i>	<i>Description</i>
1	3296-33	1	Nut-Lock, NI	12	32136-9	1	Nut-Hex, Slotted
2	3256-27	1	Washer-Flat	13	3272-37	1	Pin-Cotter
3	107-3532	1	Grommet	14	107-7589	2	Cone-Bearing (W/ Seal)
4	98-1471	1	Wheel-Steering	15	107-7590	2	Cup-Bearing
4:1	98-1468	1	Cover-Wheel, Steering	16	108-5432	1	Spacer-Bearing
5	93-5429	1	Collar-Foam	17	3257-5	1	Key-Woodruff
6	107-3540-03	1	Tube	18	115-5639	1	Washer-Steering
7	107-3533	1	Shaft-Steering	19	104-8300	5	Nut-HF, NI
8	106-8448	1	Bearing-Race, Extended	20	322-5	4	Screw-HH
9	322-7	1	Screw-HH	21	98-1459	1	Decal
10	32128-54	1	Nut-HF	22	107-3543-01	1	Fork ASM
11	107-3526	1	Steering Box ASM				



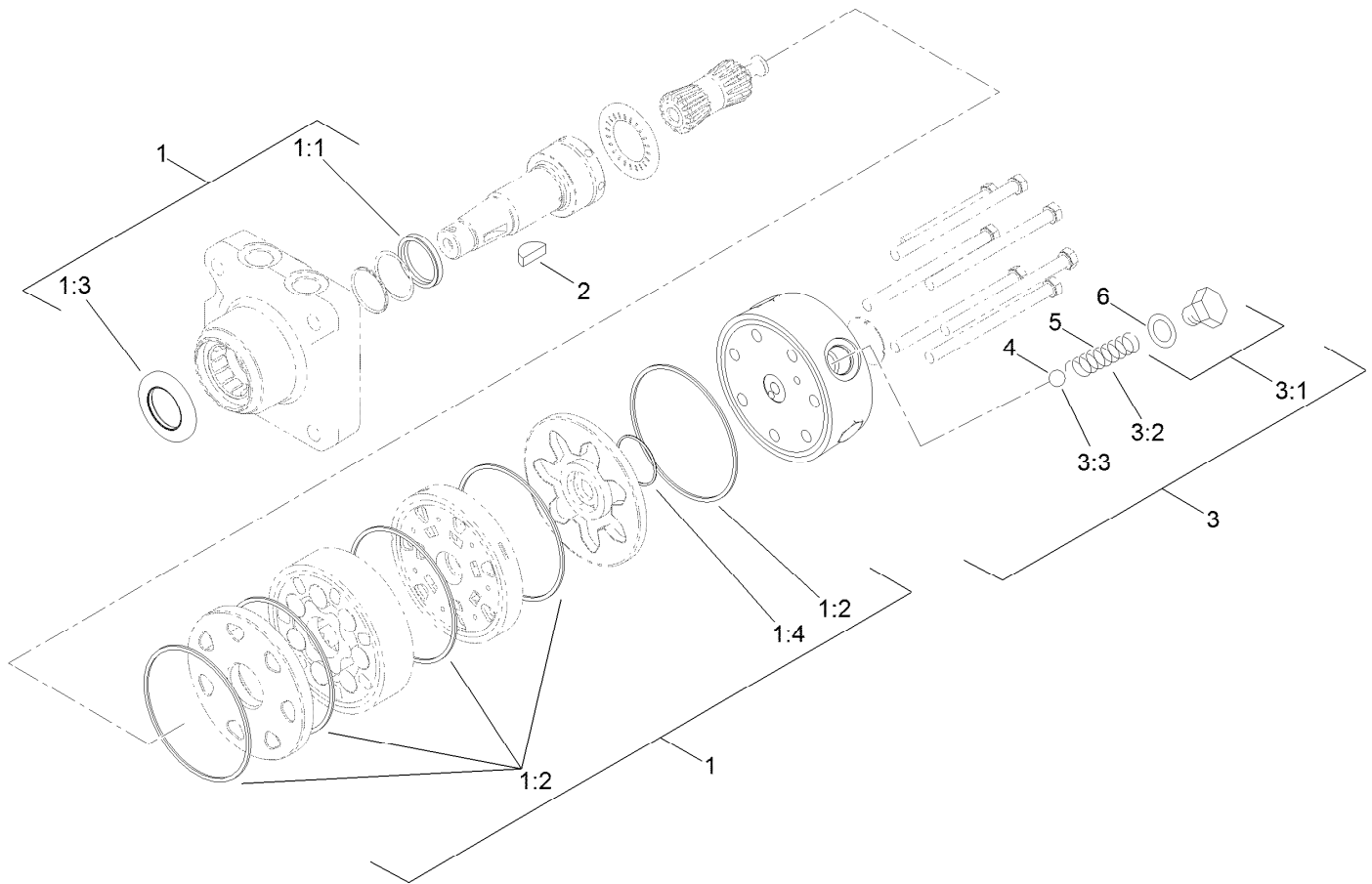
Steering Box Assembly No. 107-3526

<i>Ref.</i>	<i>Part Number</i>	<i>Qty.</i>	<i>Description</i>
1	108-4520	1	Steering Cover ASM
1:1	92-6869	1	Bushing
2	107-3520	1	Gear-Sector
3	107-3529	1	Gasket-Steering
4	107-3524	1	Steering Plate ASM
4:1	92-6869	1	Bushing
5	322-2	8	Screw-HH
7	107-3527	1	Gear-Pinion
8	38-7820	2	Bearing-Ball
9	108-4502	1	Spacer
10	107-3530	1	Ring-Retaining
11	32151-12	1	Ring-Retaining
12	108-8442	3	Shim-Plate, Steering



Front Wheel Assembly

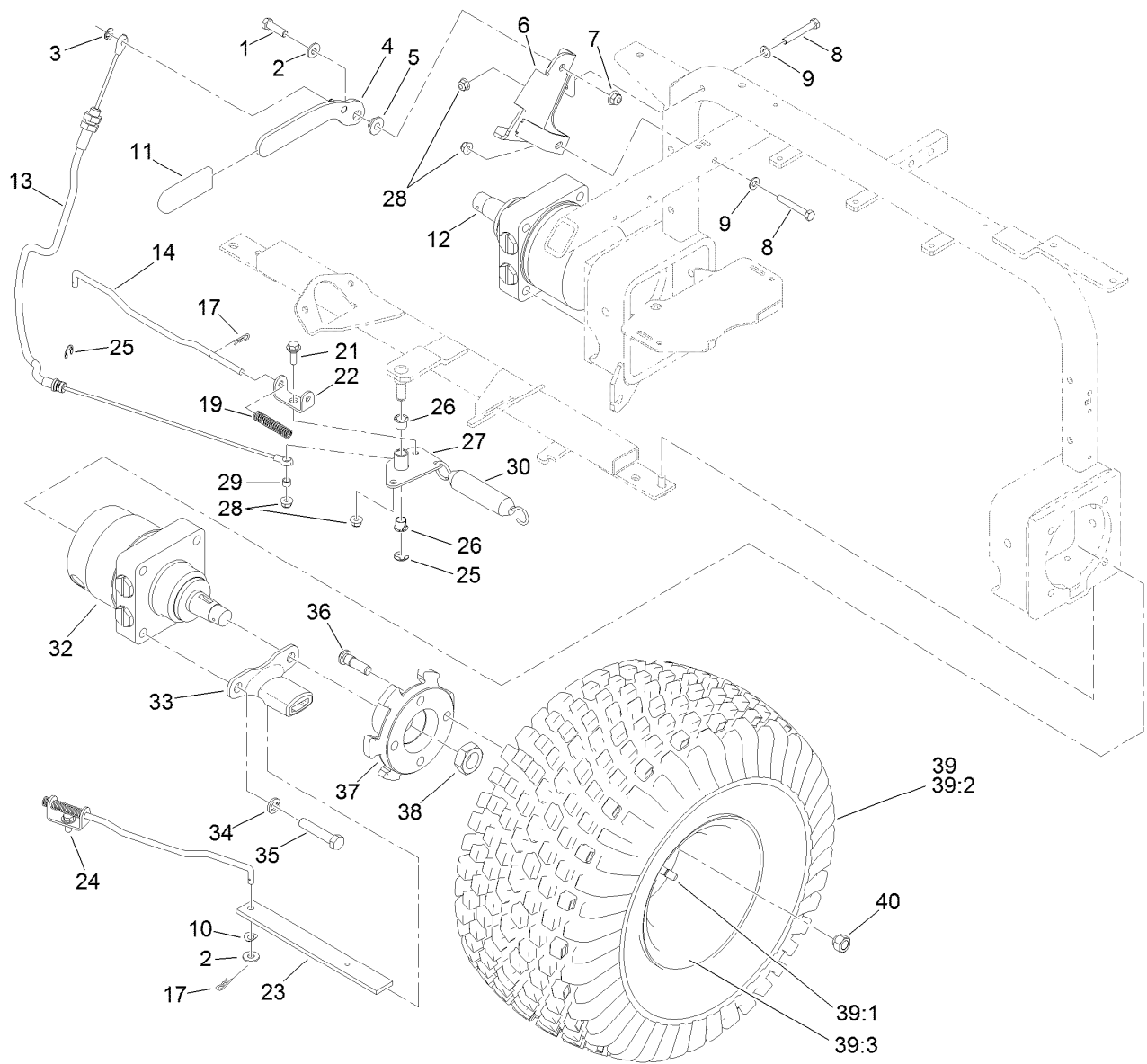
<i>Ref.</i>	<i>Part Number</i>	<i>Qty.</i>	<i>Description</i>	<i>Ref.</i>	<i>Part Number</i>	<i>Qty.</i>	<i>Description</i>
1	108-2948	1	HYD Motor ASM (CW)	16:1	237-30	1	O-Ring
2	3296-23	4	Nut-Lock, NI	16:2	237-80	1	O-Ring
3	110-6310	1	Front Wheel Hub ASM	17	119-6747	1	HYD Hose ASM
3:2	10-6830	4	Stud-Type, Drive	17:1:1	237-30	1	O-Ring
4	26-3790	1	Nut-Lock	18	119-6742	1	HYD Hose ASM
5	110-6314	1	Spindle	19	56-7976	6	Clamp-Tube
6	95-0621	1	Wheel And Tire ASM	20	69-9760	3	Plate-Cover
6:1	5108	1	Valve	21	322-12	1	Screw-HH
6:2	85-8290	1	Tire-2Ply, Knobby	26	32144-14	2	Screw-HWHTF
6:3	94-6116	1	Wheel-Rear	27	108-8455-01	1	Bracket-Clamp
7	242-50	2	Nut-Lug	28	3230-6	1	Bolt-CARR
8	323-8	3	Screw-HH	29	322-7	2	Screw-HH
9	85-8950	1	Flangette-Standard	30	130-7873	1	Guide-Hose
10	85-8940	1	Flangette-Relube	31	107-3399	2	Adapter-Weight, Wheel
10:1	302-5	1	Fitting-Grease	32	110-6311	2	Stud
11	251-352	1	Bearing	33	110-6312-03	1	Weight
12	104-8301	3	Nut-HF, NI	34	87-7270	2	Washer-Thrust
13	88-8350	1	Tab-Bearing	35	322-10	1	Screw-HH
14	104-8300	3	Nut-HF, NI	36	3296-29	2	Nut-Lock, NI
15	3274-93	2	Screw-HSH	37	2412-41	1	Clamp-R
16	340-89	2	Fitting-HYD, 45 DEG				



Hydraulic Motor Assembly No. 108-2948

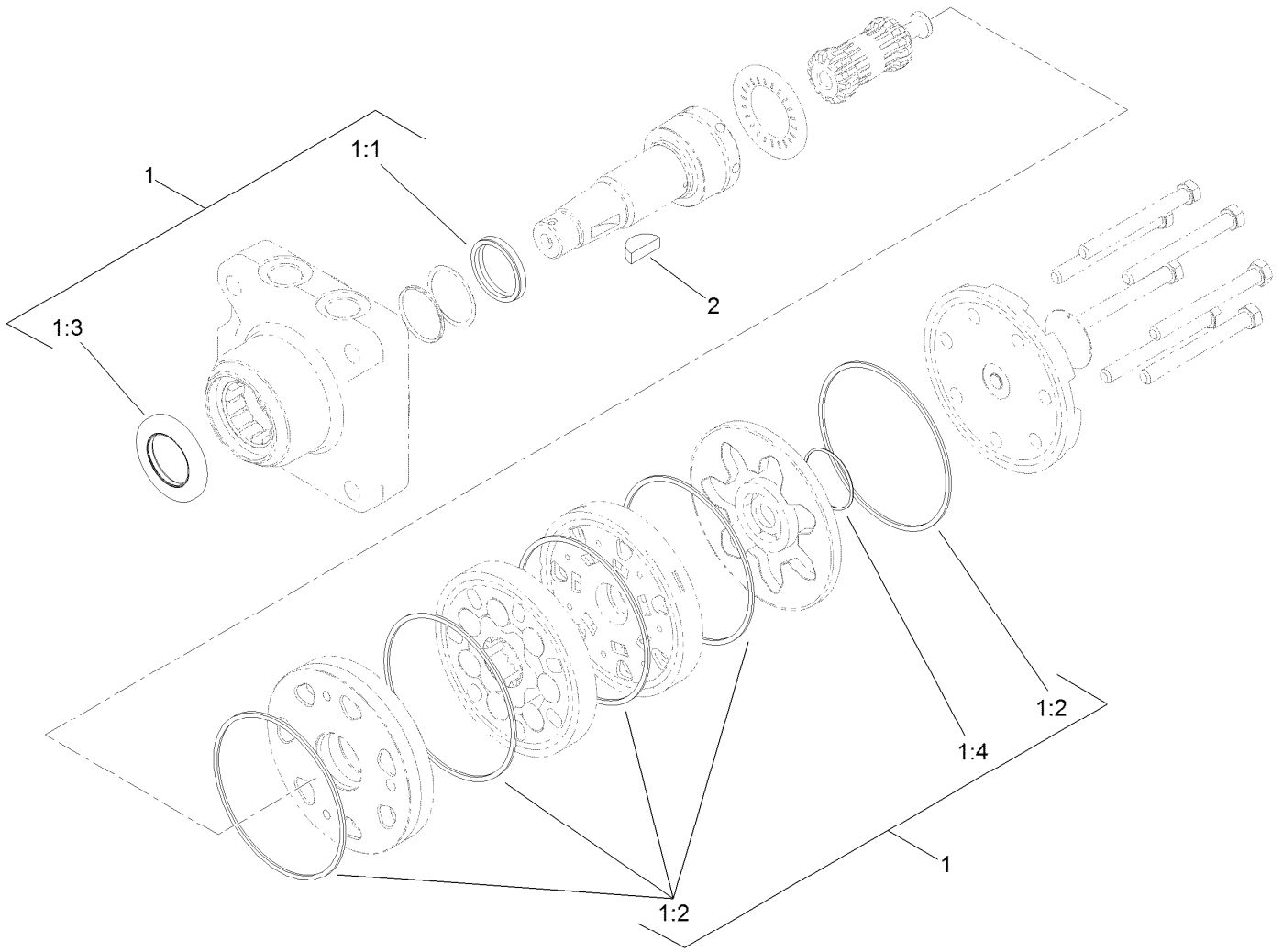
Ref.	Part Number	Qty.	Description
1	110-6459	1	Seal Kit
1:1		1	Seal-Shaft ●
1:2		5	Seal-Body ●
1:3		1	Seal-Dirt/Water ●
1:4		1	Seal-Commutator ●
2	3257-42	1	Key-Woodruff
3	99-3538	1	End Cover ASM
3:1		1	Spring Cap And O-Ring ASM ●
3:2	99-3541	1	Spring
3:3	99-3540	1	Ball
4	99-3540	1	Ball
5	99-3541	1	Spring
6	132-4421	1	O-Ring

● Not serviced separately



Rear Wheel Assembly

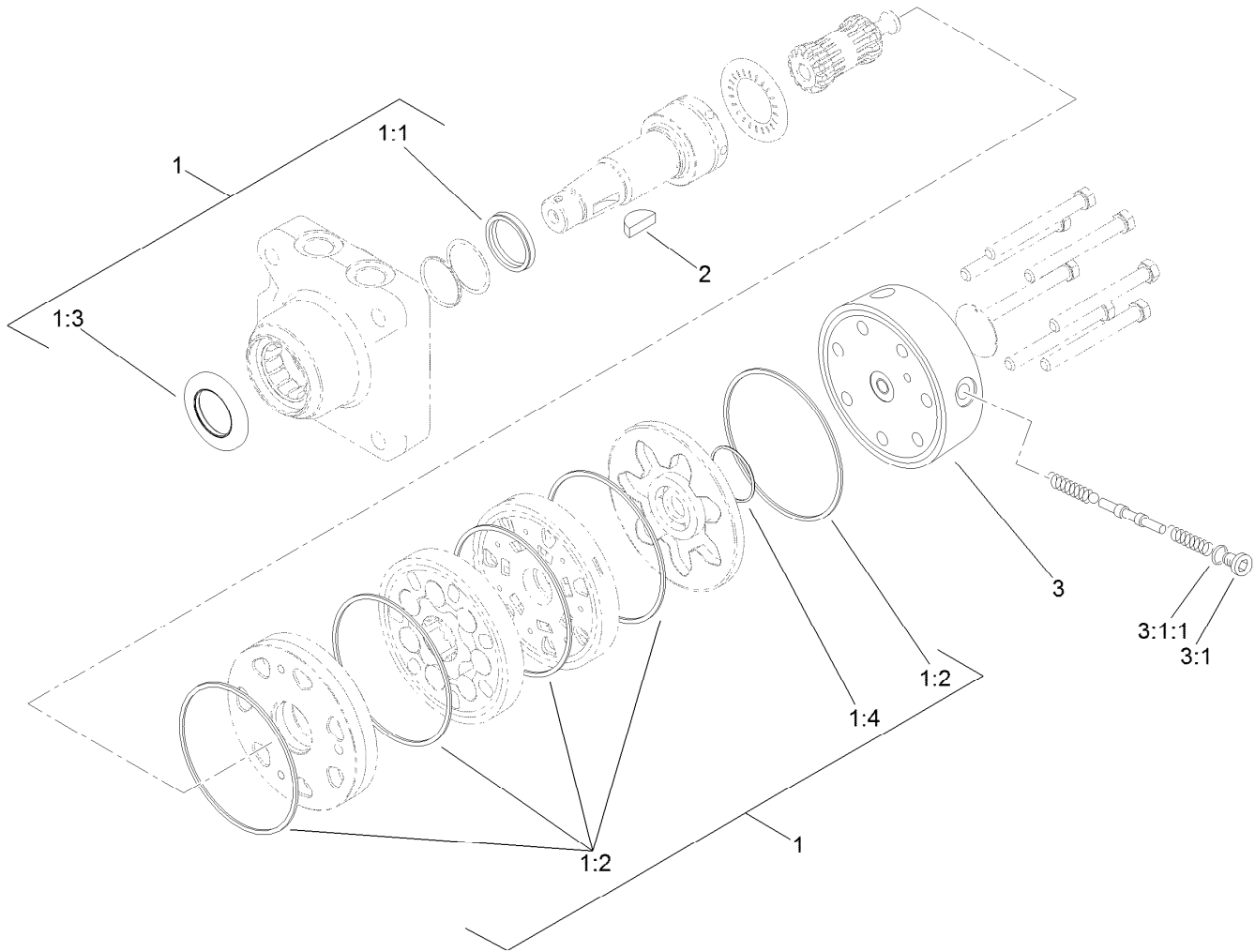
Ref.	Part Number	Qty.	Description	Ref.	Part Number	Qty.	Description
1	323-7	1	Screw-HH	24	19-1470	1	Screw-Shoulder
2	3256-3	3	Washer-Flat	25	32120-47	2	Ring-Retaining, External
3	32151-47	1	Ring-Retaining	26	256-257	2	Bushing-Nyliner
4	108-7991-03	1	Lever-Brake	27	108-7979-0P	1	Bellcrank ASM
5	108-7994	1	Bushing-Pivot, Lever	28	104-8300	4	Nut-HF, NI
6	121-2520	1	Brake Lever Bracket ASM	29	108-7983	1	Bushing-Cable
7	104-8301	1	Nut-HF, NI	30	66-4270	1	Spring-Extension
8	322-11	2	Screw-HH	32	108-2947	1	HYD Motor ASM (CCW)
9	3256-23	2	Washer-Plain	33	125-1967	2	Bracket-Brake, Park
10	121-4605	2	Washer-Spring	34	3253-7	8	Washer-Lock
11	21-1880	1	Grip-Handle	35	325-10	8	Screw-HH
12	108-2949	1	HYD Motor ASM (CW)	36	85-6540	8	Stud-Drive
13	108-7913	1	Cable-Brake, Park	37	108-7977-0P	2	Hub-Wheel
14	108-7987	2	Link-Latch, Parking	38	26-3790	2	Nut-Lock
17	3290-307	4	Pin-Cotter	39	95-0621	2	Wheel And Tire ASM
19	107-3376	2	Spring-Compression	39:1	5108	1	Valve
21	19-1471	1	Screw-Shoulder	39:2	85-8290	1	Tire-2Ply, Knobby
22	114-0631	2	Clevis-Latch, Parking	39:3	94-6116	1	Wheel-Rear
23	108-7986-0P	2	Bar-Latch, Parking	40	242-50	8	Nut-Lug



Hydraulic Motor Assembly No. 108-2949

Ref.	Part Number	Qty.	Description
1	110-6459	1	Seal Kit
1:1		1	Seal-Shaft ●
1:2		5	Seal-Body ●
1:3		1	Seal-Dirt/Water ●
1:4		1	Seal-Commutator ●
2	3257-42	1	Key-Woodruff

● Not serviced separately

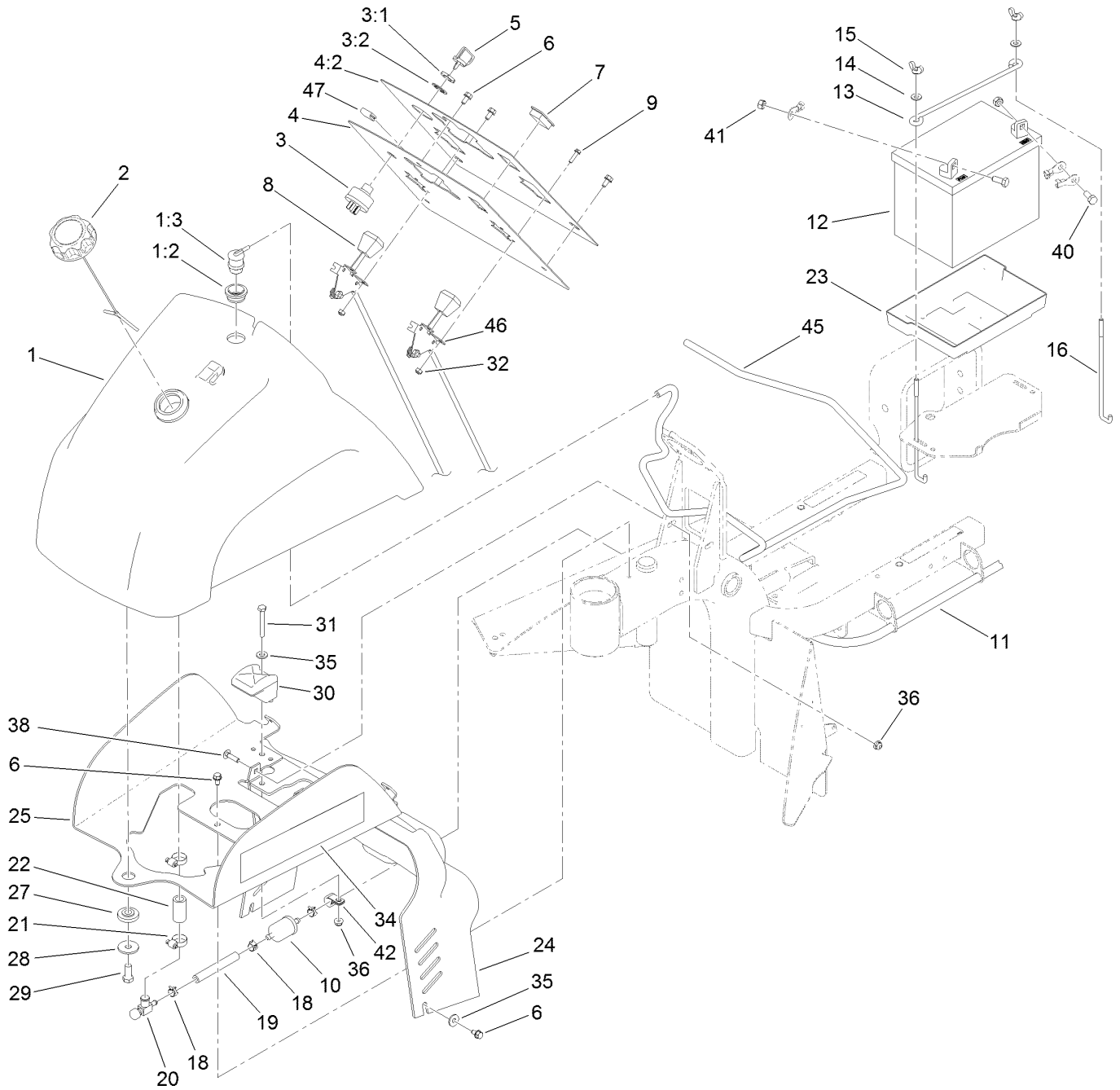


Hydraulic Motor Assembly No. 108-2947

Ref.	Part Number	Qty.	Description
1	110-6459	1	Seal Kit
1:1		1	Seal-Shaft ●
1:2		5	Seal-Body ●
1:3		1	Seal-Dirt/Water ●
1:4		1	Seal-Commutator ●
2	3257-42	1	Key-Woodruff
3	110-3381	1	End Cover ASM
3:1	353-990	1	Plug ASM
3:1:1	237-78	1	O-Ring

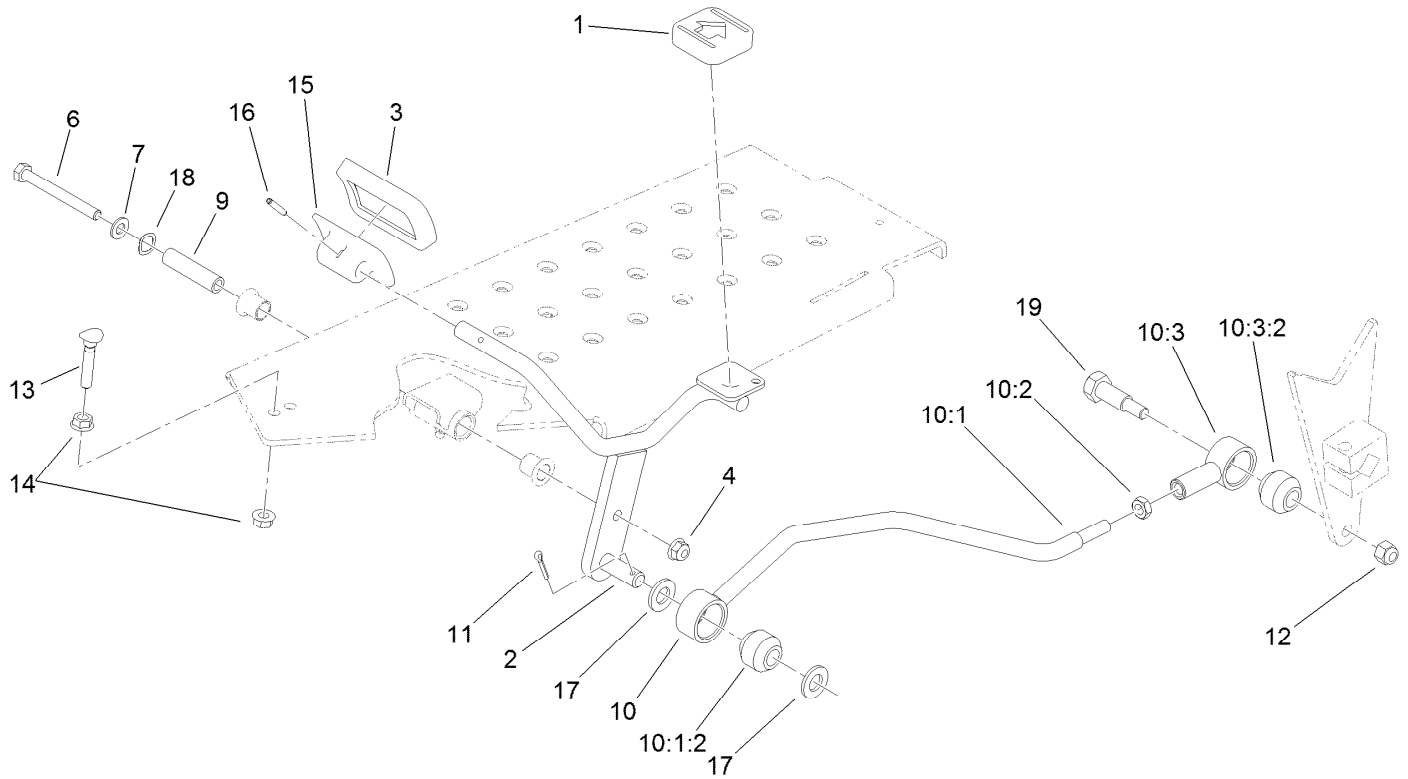
● Not serviced separately

Fuel Tank and Battery Assembly



Fuel Tank and Battery Assembly (continued)

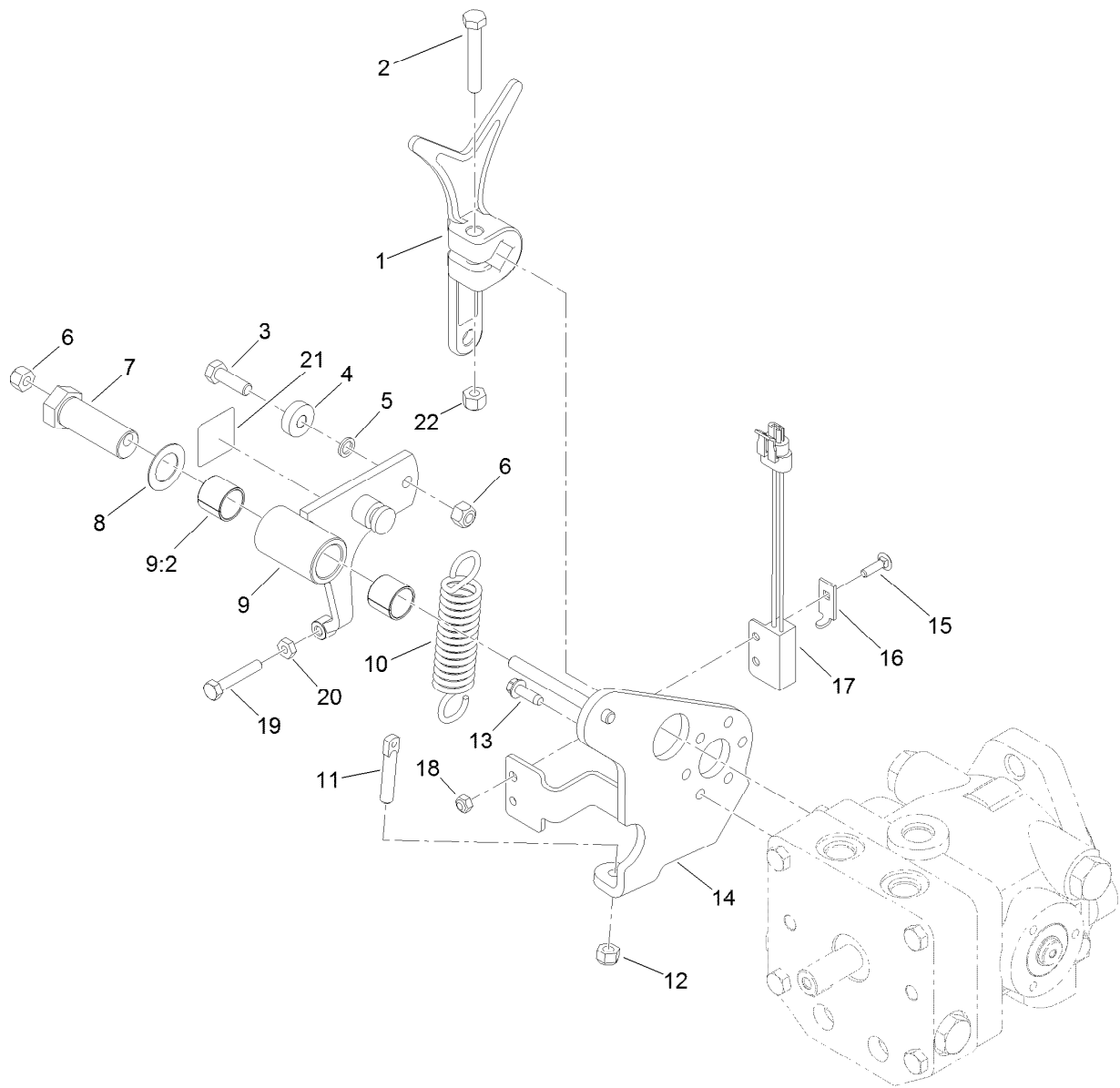
<i>Ref.</i>	<i>Part Number</i>	<i>Qty.</i>	<i>Description</i>	<i>Ref.</i>	<i>Part Number</i>	<i>Qty.</i>	<i>Description</i>
1	137-3367	1	Fuel Tank ASM	20	83-1390	1	Valve-Shut-Off, Fuel
1:2	114-0284	1	Grommet	21	2412-36	2	Clamp-Hose
1:3	114-0285	1	Valve-Rollover	22	110-3371	1	Hose-Fuel
2	126-1789	1	Cap-Fuel, Ratcheting	23	106948	1	Tray-Battery
3	83-0020	1	Switch-Ignition	24	108-6898	1	Shroud-Dash
3:1	218-461	1	Nut-HH	25	108-6895-01	1	Bracket-Mount, Tank
3:2	3254-5	1	Washer-Lock	27	240-11	1	Bushing-Flange
4	137-3388	1	Control Panel ASM	28	63-8410	1	Washer
4:2	137-3387	1	Decal-Dash	29	323-5	1	Screw-HH
5	63-8360	2	Key-Ignition	30	107-4543	2	Clamp
6	32144-10	6	Screw-HWH	31	321-18	2	Screw-HH
7	99-7420	1	Plug-Hole	32	3296-2	4	Nut-Lock, NI
8	119-7188	1	Throttle Cable ASM	34	108-8420	2	Decal
9	3290-321	4	Screw-HWH	35	3256-78	4	Washer-Flat
10	94-2690	1	Filter-Fuel	36	104-7201	4	Nut-HF
11	110-3372	1	Hose-Fuel	38	3229-1	2	Bolt-CARR
12	104-8162	1	Battery	40	322-3	2	Screw-HH
13	100-6434	1	Rod-Hold Down, Battery	41	3217-6	2	Nut-Hex
14	3256-22	2	Washer-Flat	42	92-6064	1	Clamp-R
15	32103-22	2	Nut-Wing	45	117-9568	1	Hose-Vent, Tank
16	100-6435	2	Post-Battery	46	119-7178	1	Choke Cable ASM
18	2412-98	4	Clamp-Hose	47	119-2494	1	Seal-Strip
19	109-0660	1	Hose-Fuel				



Traction Pedal Assembly

Ref.	Part Number	Qty.	Description	Ref.	Part Number	Qty.	Description
1	74-9110	1	Pad-Pedal, Reverse	10:3	115-5623	1	Isolated Rod End ASM
2	108-5498-01	1	Pedal	10:3:2	23-2270	1	Bushing-Rubber
3	74-9100	1	Pad-Pedal, Forward	11	3272-10	1	Pin-Cotter
4	104-8300	1	Nut-HF, NI	12	3296-39	1	Nut-Lock, NI
6	322-14	1	Screw-HH	13	17-9420	1	Screw-Handle
7	3256-23	1	Washer-Plain	14	32128-20	2	Nut-HF
9	85-8960	1	Spacer	15	117-9507	1	Pedal-Accelerator
10		1	Traction Rod ASM ●	16	32121-45	1	Pin-Spring
10:1	115-5626	1	Rod ASM	17	106-9888	2	Washer-Flat
10:1:2	23-2270	1	Bushing-Rubber	18	108473	1	Washer-Wave
10:2	3220-3	1	Nut-HJ	19	117-4698	1	Screw-Shoulder, HH

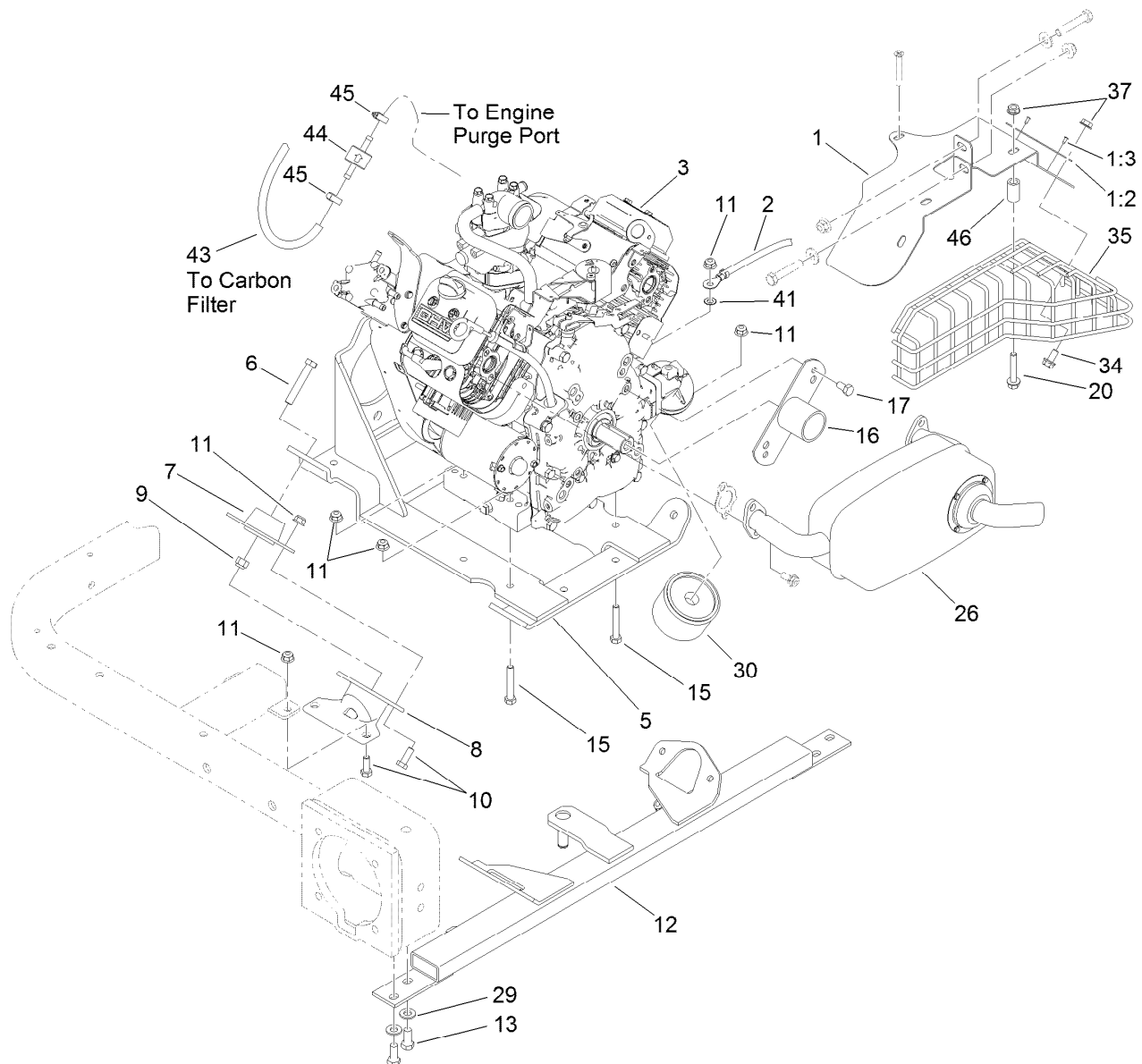
● Not serviced separately



Pump Control Lever Assembly

Ref.	Part Number	Qty.	Description
1	131-4399	1	Lever, Pump
2	323-11	1	Screw-HH
3	322-5	1	Screw-HH
4	251-307	1	Bearing-Ball
5	75-5470	1	Spacer-Bearing
6	3296-29	2	Nut-Lock, NI
7	76-8640	1	Stud-Traction
8	3-6498	1	Washer-Thrust
9	130-7832	1	Arm ASM
9:2	94-9609	2	Bushing-Straight
10	85-9030	1	Spring-Extension
11	18-6380	1	Pin-Adjustment, Steering

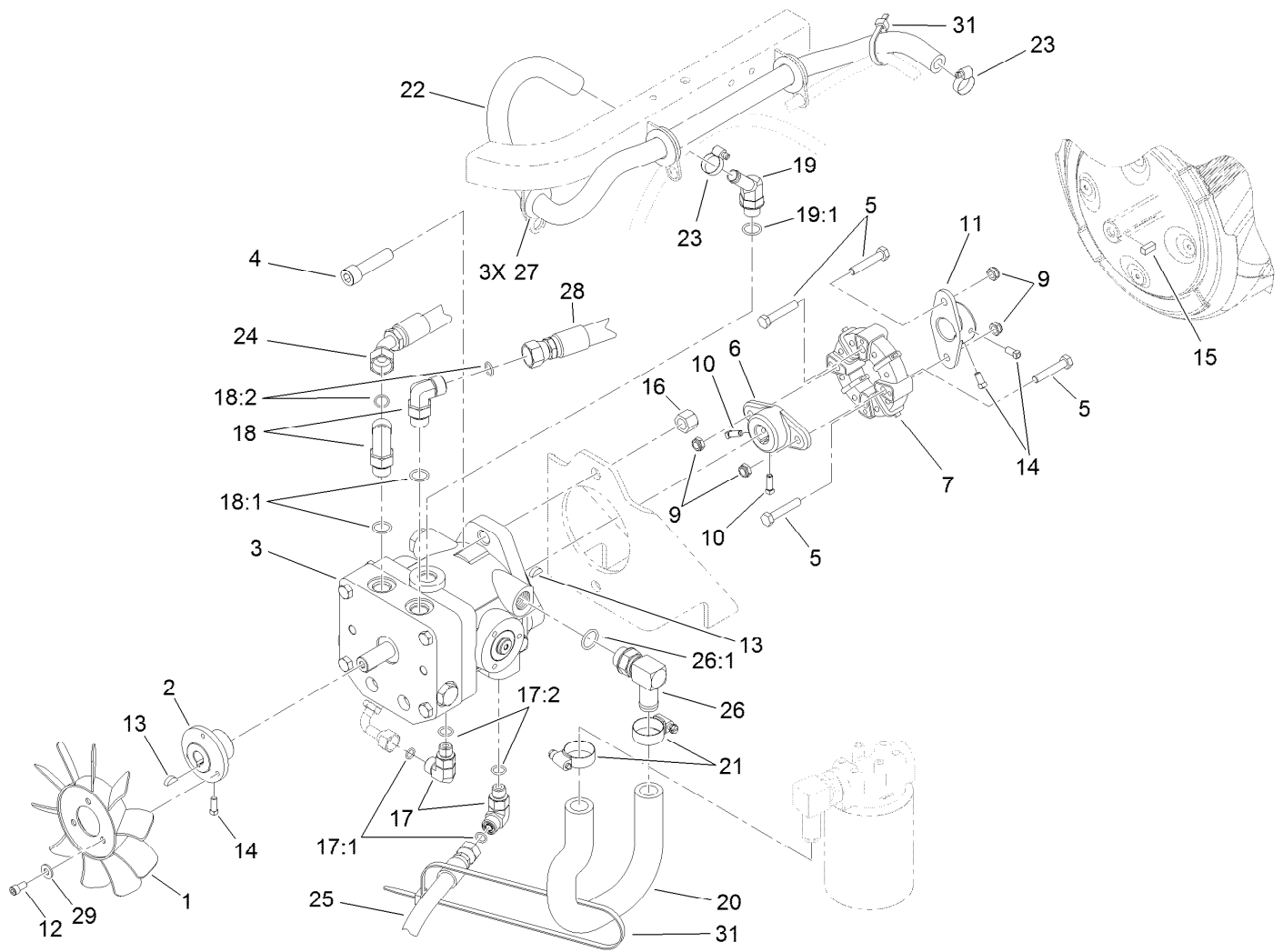
Ref.	Part Number	Qty.	Description
12	3296-4	1	Nut-Lock
13	49-2040	3	Screw-HWHTF
14	108-5490-0P	1	Plate-Pump
15	3229-20	1	Screw-CARR
16	100-4872	1	Plate-Switch, Neutral
17	105-0023	1	Switch-Proximity
18	3296-2	1	Nut-Lock, NI
19	321-43	1	Capscrew
20	3218-1	1	Nut-Jam
21	93-9051	1	Decal-Bolt, Eccentric
22	3296-39	1	Nut-Lock, NI



Engine Installation Assembly

Ref.	Part Number	Qty.	Description	Ref.	Part Number	Qty.	Description
1	119-7191	1	Muffler Shield ASM	16	95-0632-03	1	Cover
1:2	95-0645	1	Plate-Surface, Hot	17	3210-2	2	Screw-HH
1:3	3269-32	2	Rivet-Pop	20	94-5780	2	Screw-HWH
2	54-3093	1	Cable-Battery, Negative	26	120-3476	1	Muffler-Dual Inlet
3	140-0282	3	Engine ●	29	3256-24	4	Washer-Flat
5	108-2809-0P	1	Support-Engine	30	107-7817	1	Filter-Oil, Engine
6	323-11	4	Screw-HH	34	3234-14	2	Screw-HHF
7	121-9076	4	Mount-Engine	35	110-6348-03	1	Shield-Exhaust
8	125-1954	2	Mount-Front	37	32128-25	4	Nut-HF
9	104-8301	4	Nut-HF, NI	41	3255-8	1	Washer-Lock
10	322-4	12	Screw-HH	43	117-9569	1	Hose-Fuel
11	104-8300	16	Nut-HF, NI	44	133-8499	1	Valve-Check, Vacuum
12	120-3461-01	1	Mount-Engine	45	2412-108	2	Clamp-Worm
13	323-5	4	Screw-HH	46	59-2580	2	Spacer-Tubular
15	322-10	4	Screw-HH				

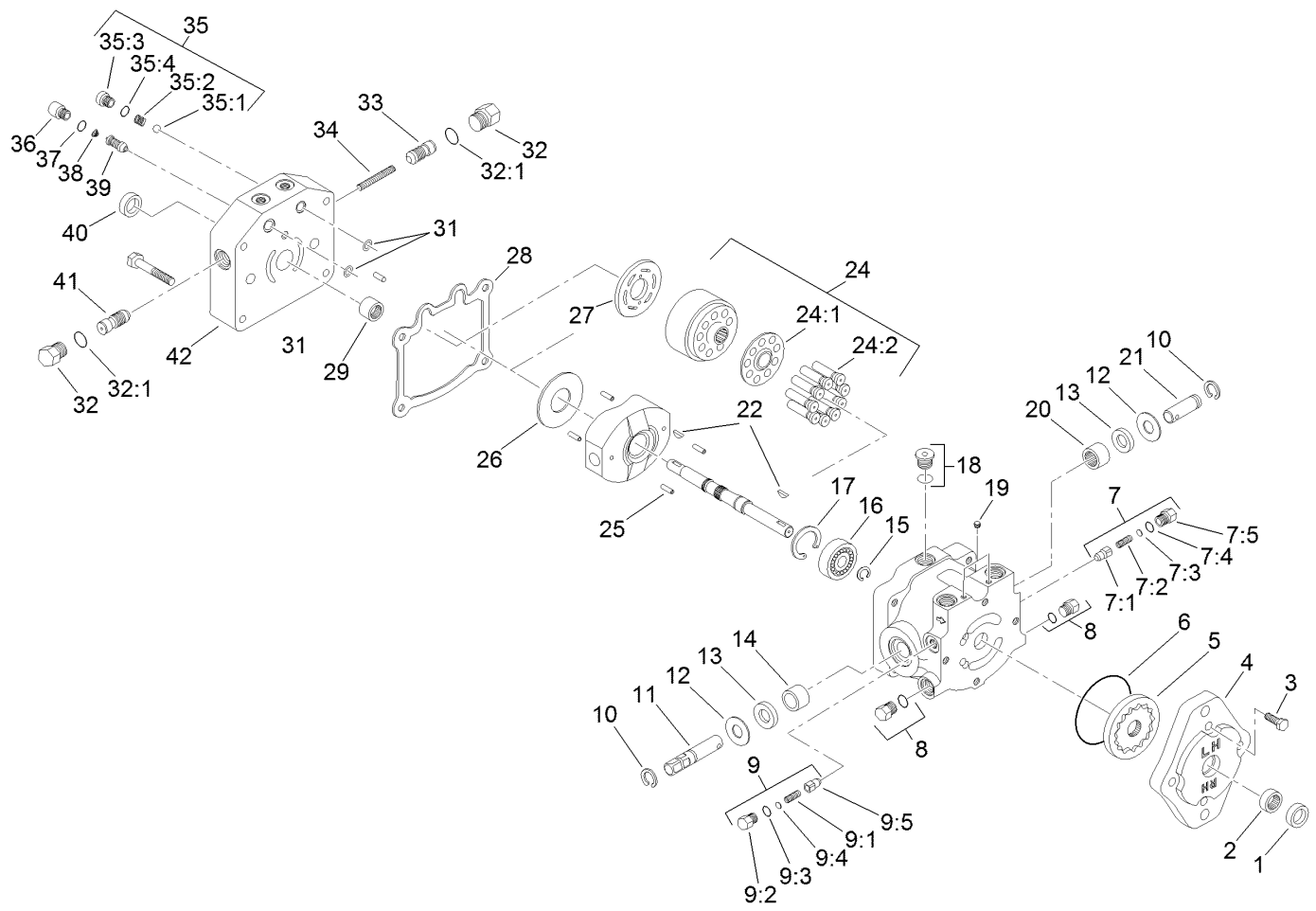
● Obtain parts from www.briggsandstratton.com



Pump and Coupling Assembly

Ref.	Part Number	Qty.	Description	Ref.	Part Number	Qty.	Description
1	1-633869	1	Fan-Pump, Cooling	18	340-98	2	Fitting-Elbow, 90 DEG
2	108-5484	1	Hub-Fan	18:1	237-79	1	O-Ring
3	132-4350	1	Pump-Piston, Variable	18:2	237-30	1	O-Ring
4	3274-5	2	Screw-HSH	19	354-126	1	Fitting-Elbow, 45
5	322-9	4	Screw-HH	19:1	237-79	1	O-Ring
6	110-9695	1	Hub-Pump	20	108-5481	1	Hose-Suction
7	119-0652	1	Coupler-Rubber	21	2412-129	2	Clamp-Hose
9	3296-47	4	Nut-Lock, NI	22	110-1325	1	Hose-Return
10	3241-6	2	Screw-SQH	23	2412-36	2	Clamp-Hose
11	110-5236	1	Hub-Engine	24	108-8440	1	Hose ASM
12	3274-52	3	Screw-HSH	25	108-8428	1	HYD Hose ASM
13	3257-32	2	Key-Woodruff	26	87-8170	1	Fitting-90
14	3241-7	4	Screw-SQH	26:1	237-80	1	O-Ring
15	85-9020	1	Key-Square	27	240-4	3	Grommet-Rubber
16	3296-23	2	Nut-Lock, NI	28	110-1322	1	HYD Hose ASM
17	340-77	2	Fitting-Elbow, 90 DEG	29	3256-22	3	Washer-Flat
17:1	237-22	1	O-Ring	31	3290-379	2	Tie-Cable
17:2	237-42	1	O-Ring				

Variable Piston Pump Assembly No. 132-4350

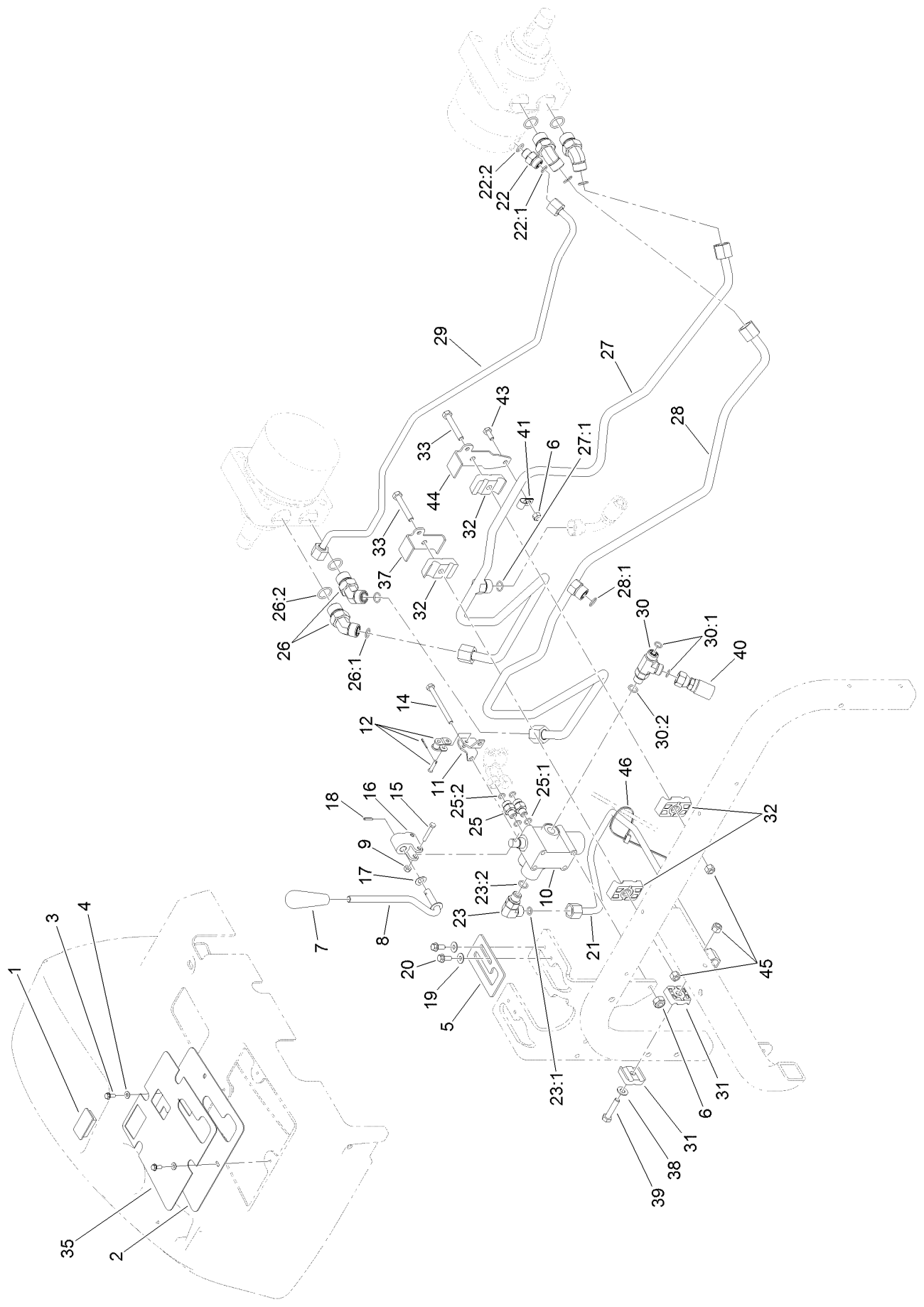


Variable Piston Pump Assembly No. 132-4350 (continued)

<i>Ref.</i>	<i>Part Number</i>	<i>Qty.</i>	<i>Description</i>	<i>Ref.</i>	<i>Part Number</i>	<i>Qty.</i>	<i>Description</i>
1	93-4133	1	Seal-Lip	20	252-82	1	Bearing-Needle
2	67-8050	1	Bearing-Needle	21	25-2500	1	Shaft-Trunnion
3	322-4	4	Screw-HH	22	3257-32	2	Key-Woodruff
4	114-0611	1	Housing-Pump, Charge	24	48-1800	1	Cylinder Block Kit
5	95-5812	1	Gerotor ASM	24:1		1	Retainer-Slipper ●
6	237-95	1	O-Ring	24:2		9	Piston ASM ●
7	49-8520	1	Implement Relief Kit	25	32121-91	4	Pin-Spring
7:1	83-7260	1	Cone-Relief, Charge	26	25-2380	1	Plate-Thrust
7:2	25-2570	1	Spring-Valve	27	88-8160	1	Plate-Valve
7:3	25-2470	1	Pack-Shim	28	25-2400	1	Gasket
7:4	237-86	1	O-Ring	29	110-6341	1	Bearing-Roller
7:5	25-2460	1	Plug-HH	31	112-7652	2	O-Ring
8	67-8030	2	Plug ASM	32	28-3440	2	Plug-Threaded
9	49-8510	1	Valve Kit	32:1	75-0240	1	O-Ring
9:1	25-2480	1	Spring-Valve	33	98-0920	1	Valve-Acceleration
9:2	25-2460	1	Plug-HH	34	25-2610	1	Spring-Valve
9:3	237-86	1	O-Ring	35	99-5689	1	Check Valve Kit
9:4	25-2470	1	Pack-Shim	35:1	25-2490	1	Ball
9:5	83-7260	1	Cone-Relief, Charge	35:2	25-2640	1	Spring-Valve
10	32151-46	2	Ring-Retaining	35:3	25-2650	1	Plug-Valve, Check
11	88-8180	1	Shaft-Trunnion	35:4	237-86	1	O-Ring
12	25-2510	2	Washer-Flat	36	75-0190	1	Plug-Special
13	25-3210	2	Seal-Lip	37	75-0240	1	O-Ring
14	88-8190	1	Bearing-Journal	38	110-6342	1	Spring
15	32151-83	1	Ring-Snap	39	110-6343	1	Valve-Scr
16	95-5809	1	Bearing-Ball	40	132-4357	1	Seal-Lip
17	32151-75	1	Ring-Retaining	41	98-0920	1	Valve-Acceleration
18	67-9090	1	Plug	42	112-7651	1	Cap-End
19	75-0160	1	Plug-Pipe				

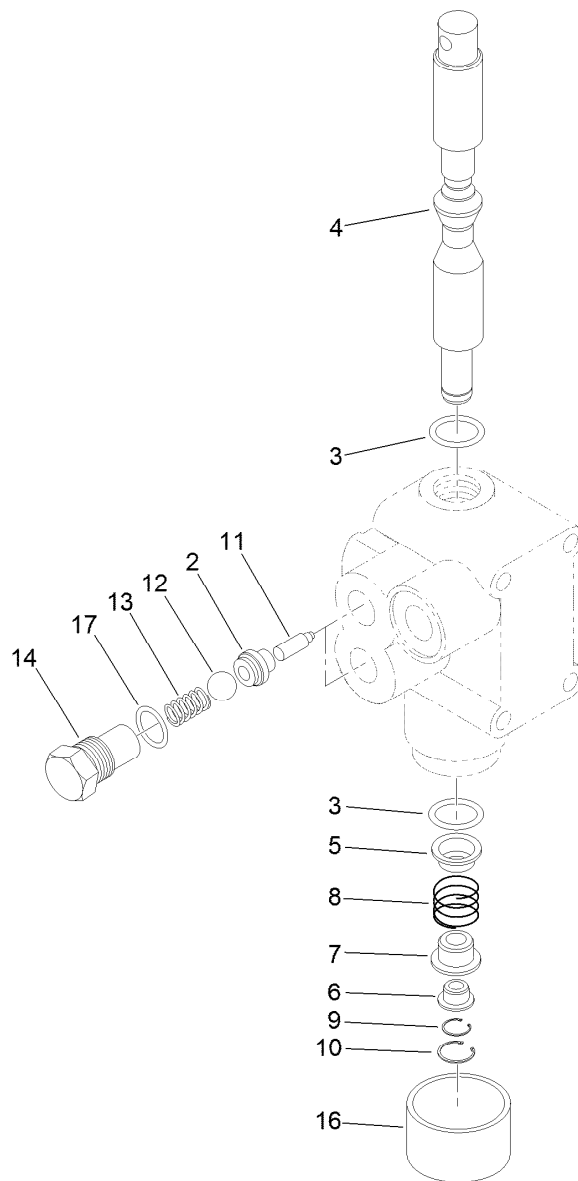
● Not serviced separately

Lift Valve and Rear Tube Assembly



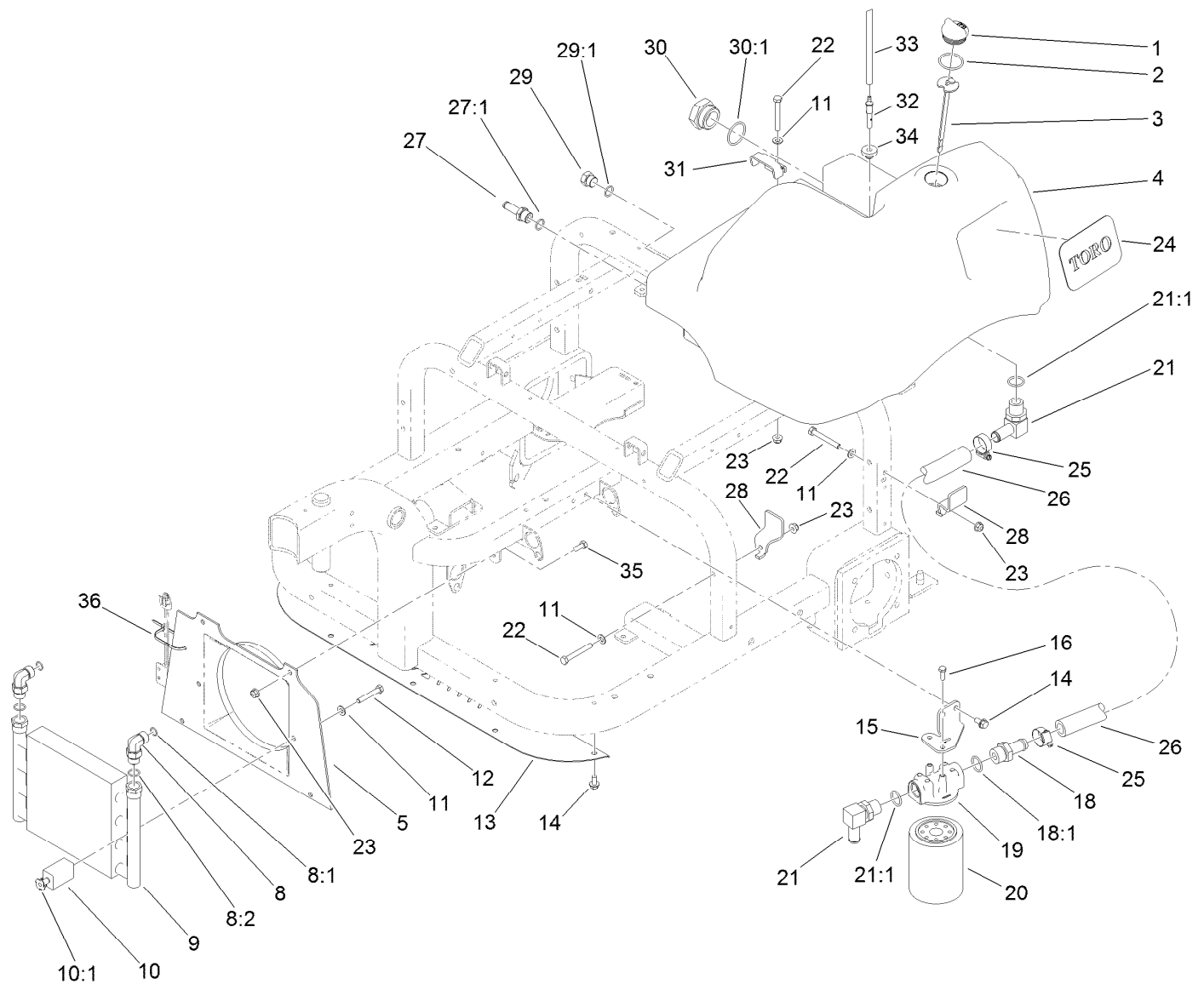
Lift Valve and Rear Tube Assembly (continued)

<i>Ref.</i>	<i>Part Number</i>	<i>Qty.</i>	<i>Description</i>	<i>Ref.</i>	<i>Part Number</i>	<i>Qty.</i>	<i>Description</i>
1	99-7420	1	Plug-Hole	25:1	237-78	1	O-Ring
2	108-7909-03	1	Panel-Control	25:2	237-21	1	O-Ring
3	3290-321	4	Screw-HWH	26	340-89	4	Fitting-HYD, 45 DEG
4	3256-51	4	Washer-Flat	26:1	237-30	1	O-Ring
5	108-7941	1	Plate-Guide, Lever	26:2	237-80	1	O-Ring
6	3296-42	4	Nut-Lock, NI	27	108-8406	1	Tube ASM
7	98-0152	1	Knob-Tapered	27:1	237-30	1	O-Ring
8	108-7942	1	Rear Lever ASM	28	110-1323	1	Tube ASM
9	3296-2	2	Nut-Lock, NI	28:1	237-30	1	O-Ring
10	121-9070	1	Valve ASM	29	110-1330	1	Tube ASM
11	88-8480	1	Bracket-Pivot	30	340-86	1	Fitting-Tee
12	2710-20	1	Link-Offset	30:1	237-22	2	O-Ring
14	321-23	3	Screw-HH	30:2	237-42	1	O-Ring
15	3290-360	2	Screw-HH	31	56-7973	2	Clamp-Tube
16	125-1944	1	Pivot-Hinge	32	56-7976	4	Clamp-Tube
17	3290-477	1	Washer-Curved	33	322-10	2	Screw-HH
18	32121-73	1	Pin-Roll	35	108-8484	1	Decal-Lift, Rear
19	3256-1	2	Washer-Flat	37	110-1333	1	Bracket-Clamp
20	3234-33	2	Screw-HHF	38	3256-23	1	Washer-Plain
21	108-8416	1	Tube ASM	39	322-7	1	Screw-HH
22	340-2	1	Fitting-Straight	40	108-8426	1	Hose ASM
22:1	237-22	1	O-Ring	41	2412-89	1	Clamp-R
22:2	237-42	1	O-Ring	43	321-3	1	Screw-HH
23	340-77	1	Fitting-Elbow, 90 DEG	44	110-1332	1	Bracket-Clamp
23:1	237-22	1	O-Ring	45	3296-29	3	Nut-Lock, NI
23:2	237-42	1	O-Ring	46	3290-378	1	Tie-Cable
25	340-92	2	Fitting-Straight				



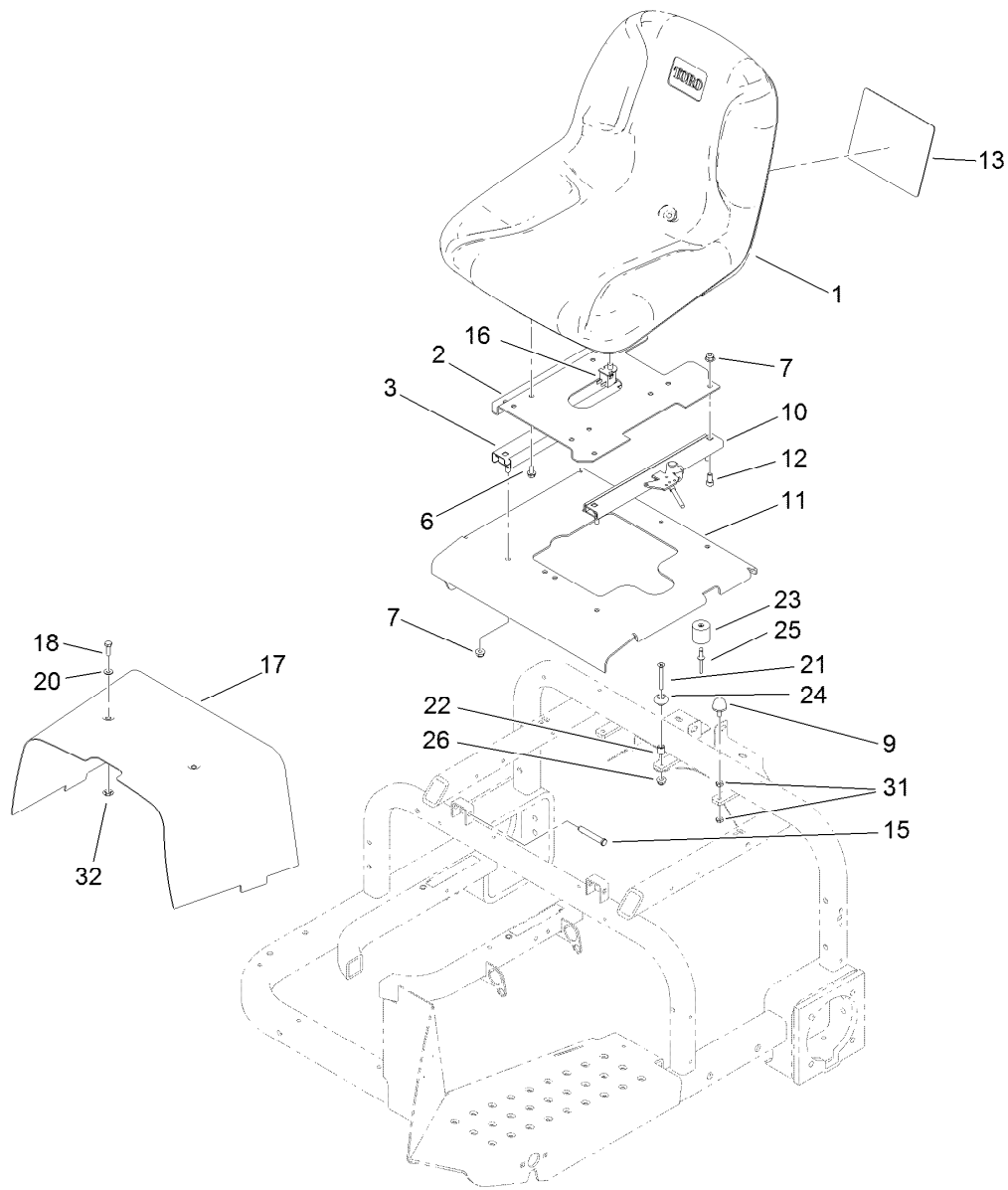
Hydraulic Valve Assembly No. 121-9070

Ref.	Part Number	Qty.	Description
2	22-8370	2	Seat-Valve
3	22-8500	2	O-Ring
4	22-8420	1	Spool
5	22-8380	1	Retainer
6	22-8400	1	Spacer
7	22-8390	1	Retainer
8	22-8410	1	Spring
9	22-8480	1	Ring-Snap
10	22-8490	1	Ring-Snap
11	22-8360	2	Pin
12	22-8350	2	Ball
13	22-8340	2	Spring
14	22-8330	2	Plug
16	138-2229	1	Cap
17	237-42	2	O-Ring



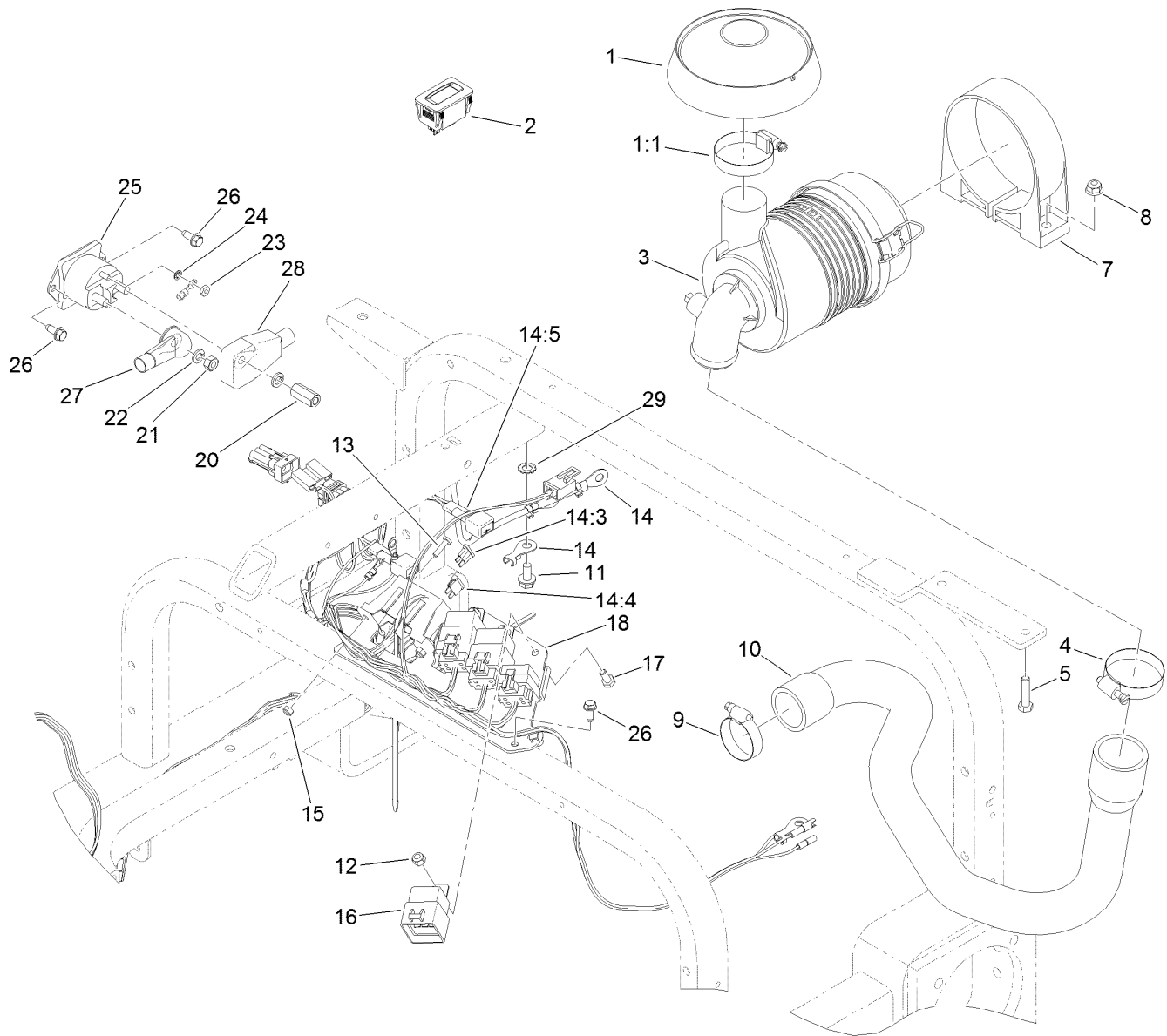
Hydraulic Tank, Filter and Cooler Assembly

Ref.	Part Number	Qty.	Description	Ref.	Part Number	Qty.	Description
1	93-7498	1	Plug-Plastic	21	353-987	2	Fitting-Elbow, 90
2	237-101	1	O-Ring	21:1	237-81	1	O-Ring
3	108-7996	1	Dipstick ASM	22	322-12	5	Screw-HH
4	119-9040	1	Tank-Hydraulic	23	104-8300	9	Nut-HF, NI
5	108-5477	1	Shroud-Fan	24	108-8452	1	Decal-Logo
8	340-98	2	Fitting-Elbow, 90 DEG	25	2412-129	2	Clamp-Hose
8:1	237-79	1	O-Ring	26	108-5483	1	Hose-Suction, Tank
8:2	237-30	1	O-Ring	27	354-121	1	Fitting-STR
9	108-8457	1	Cooler-Oil	27:1	237-79	1	O-Ring
10	85-9550	2	Rubber Clamp ASM	28	108-7965	2	Clamp-Tank, HYD
10:1	85-9670	1	Nut-T	29	353-550	1	Plug-HYD, HH
11	3256-23	7	Washer-Plain	29:1	237-79	1	O-Ring
12	322-11	2	Screw-HH	30	108-8468	1	Plug-HH
13	121-2474-0P	1	Panel-Cooler	30:1	237-101	1	O-Ring
14	32144-14	7	Screw-HWHTF	31	108-7903	1	Clamp-Tank
15	108-5482	1	Bracket-Filter, Oil	32	110-1372	1	Fitting-Vent, Tank
16	3234-4	2	Screw-HHF	33	110-8181	1	Hose-Fuel
18	354-73	1	Fitting	34	46-6560	1	Bushing
18:1	237-81	1	O-Ring	35	322-3	4	Screw-HH
19	68-8990	1	Head-Filter	36	3290-379	1	Tie-Cable
20	54-0110	1	Filter-Oil, Transmission				



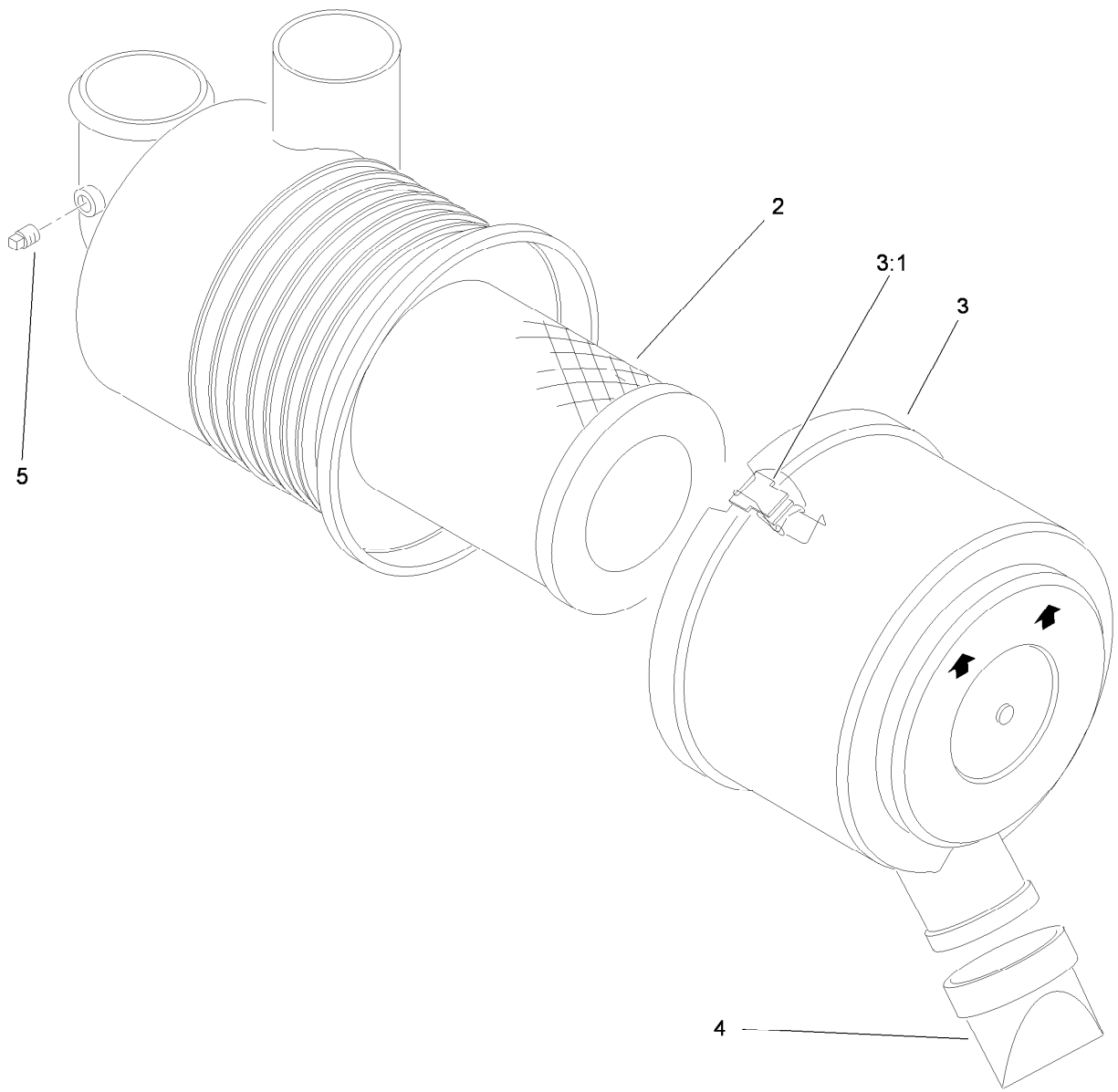
Seat and Shroud Assembly

<i>Ref.</i>	<i>Part Number</i>	<i>Qty.</i>	<i>Description</i>	<i>Ref.</i>	<i>Part Number</i>	<i>Qty.</i>	<i>Description</i>
1	108-6878	1	Seat	17	108-6859-01	1	Shroud-Center
2	108-7931-03	1	Base-Seat	18	321-5	2	Screw-HH
3	51-0780	1	Slider-Seat	20	3256-1	2	Washer-Flat
6	3234-14	4	Screw-HHF	21	363-1571	1	Screw-PFH
7	104-8300	8	Nut-HF, NI	22	609588	1	Spacer
9	1-523420	2	Bumper	23	99-7830	1	Receptical-Rubber
10	51-0790	1	Adjuster-Seat, LH	24	99-7833	1	Post-Holding
11	130-7834-03	1	Base-Seat	25	3290-412	1	Rivet-Blind
12	3274-12	4	Screw-HSH	26	104-7201	1	Nut-HF
13	138-9101	1	Decal-Service	31	3218-1	4	Nut-Jam
15	112-7153	2	Pin	32	106-8737	2	Nut-Retainer
16	82-2190	1	Switch-Bail				



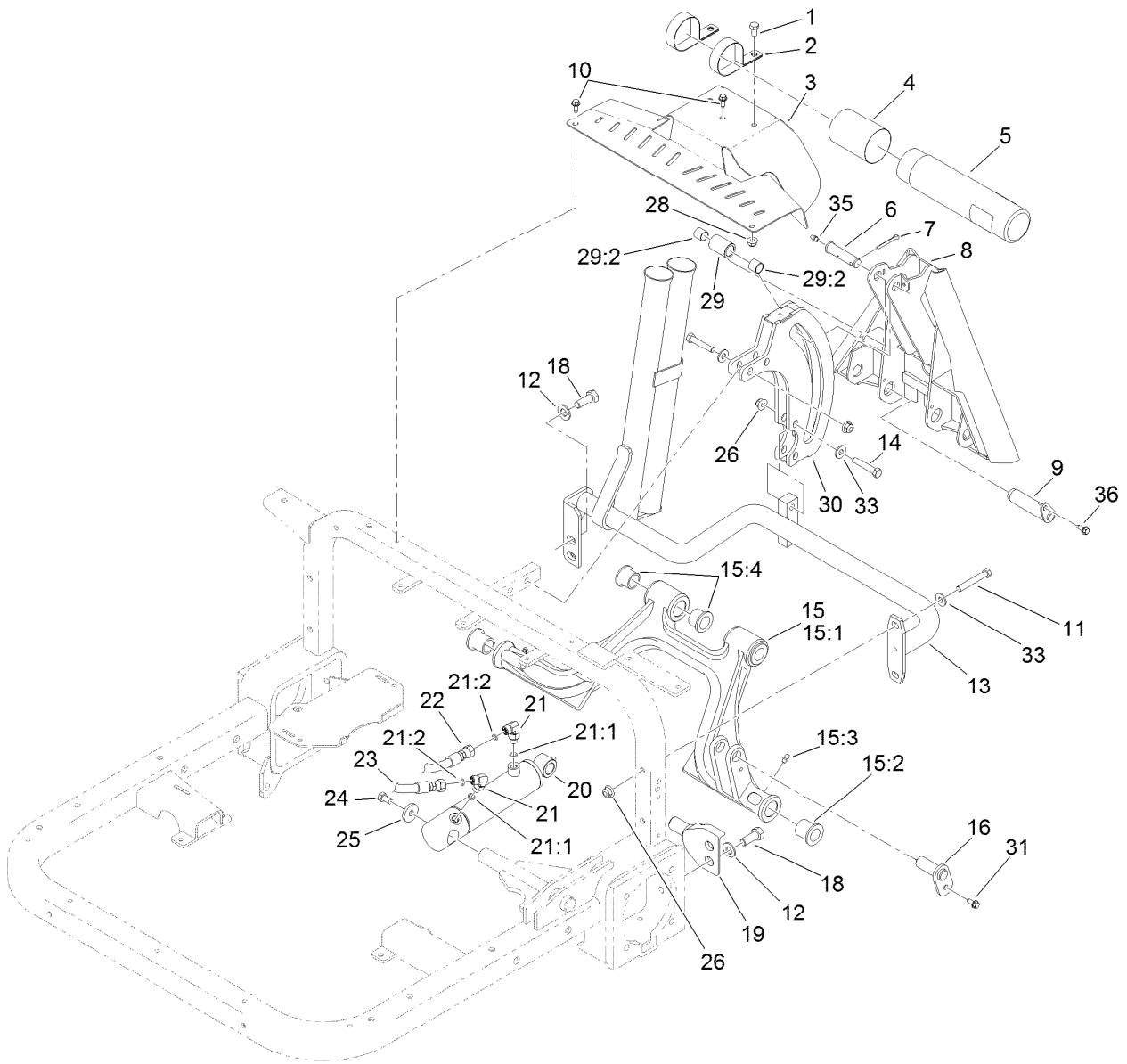
Wire Harness, Air Cleaner and Hose Assembly

<i>Ref.</i>	<i>Part Number</i>	<i>Qty.</i>	<i>Description</i>	<i>Ref.</i>	<i>Part Number</i>	<i>Qty.</i>	<i>Description</i>
1	136-7859	1	Rain Cap Kit	14:4	109101	1	Fuse-Blade, 20 Amp
1:1	1-643009	1	Clamp-Hose	14:5	100-4918	2	Diode
2	120-2244	1	Hourmeter	15	3296-2	2	Nut-Lock, NI
3	93-2190	1	Air Cleaner ASM	16	99-7430	3	Relay-Mini
4	2412-92	1	Clamp-Hose	17	321-3	3	Screw-HH
5	322-6	2	Screw-HH	18	112-1444-01	1	Bracket-Relay
7	95-5806	1	Bracket-Mounting, Air Cleaner	20	110-3380	1	Nut-Standoff
8	104-8300	2	Nut-HF, NI	21	3218-13	1	Nut-Jam, Brass
9	2412-3	1	Clamp-Hose	22	3253-4	2	Washer-Lock
10	117-9576	1	Hose-Air	23	3219-14	2	Nut-Hex
11	32144-14	1	Screw-HWHTF	24	3254-1	2	Washer-Lock, Int
12	3296-42	3	Nut-Lock, NI	25	28-4210	1	Solenoid
13	3250-13	2	Screw-PPH	26	32144-10	4	Screw-HWH
14	122-1403	1	Harness-Wire	27	110-3315	1	Cable-Positive, Starter
14:3	218-578	2	Fuse-Blade, 10 Amp	28	110-3314	1	Cable-Positive, Battery
				29	3255-9	1	Washer-Lock



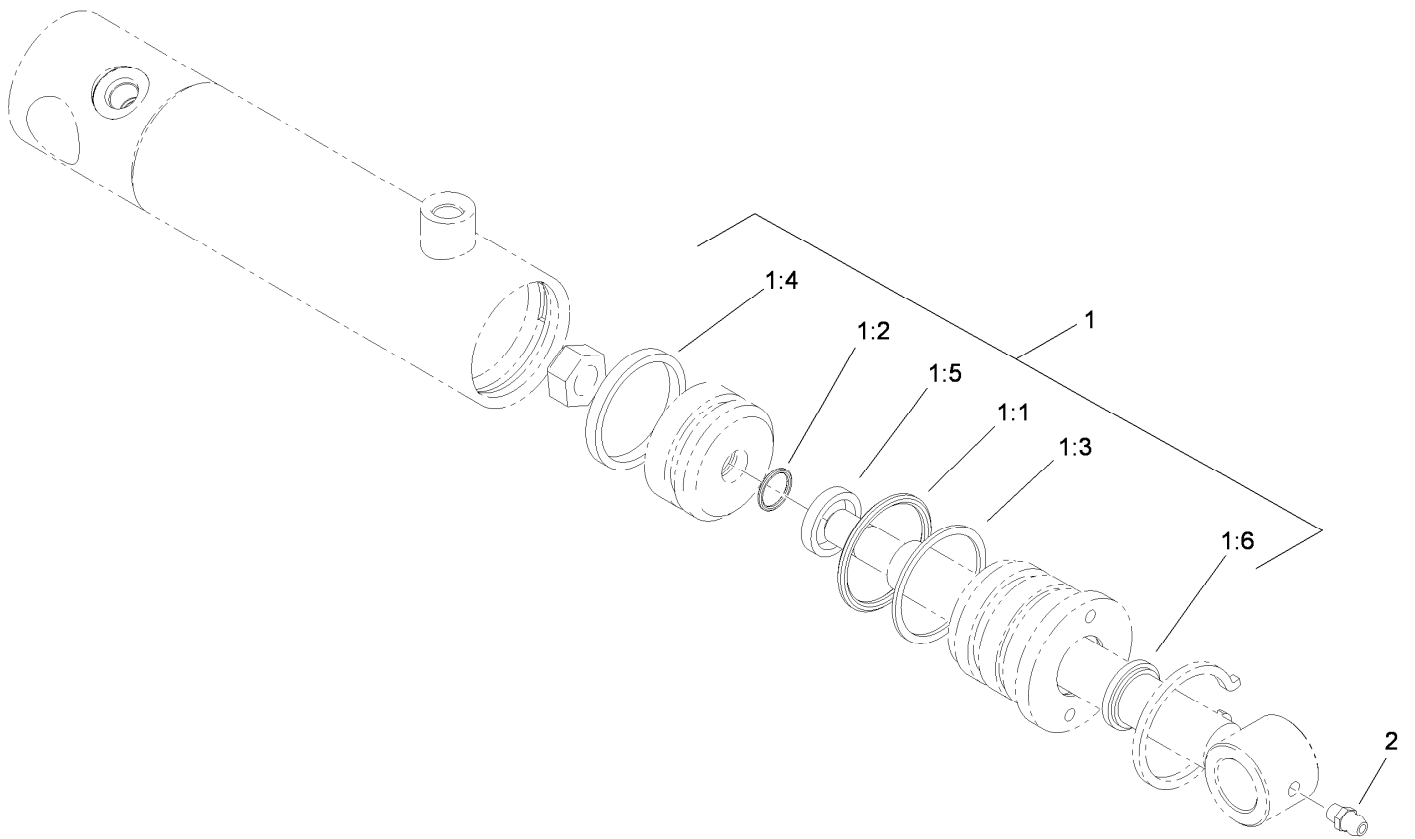
Air Cleaner Assembly No. 93-2190

<i>Ref.</i>	<i>Part Number</i>	<i>Qty.</i>	<i>Description</i>
2	108-3811	1	Filter-Air
3	94-3652	1	Cover ASM
3:1	1-643283	2	Latch-Cleaner, Air
4	87-9400	1	Valve-Vacuator
5	285-17	1	Plug-Pipe



Rear Hitch Assembly

Ref.	Part Number	Qty.	Description	Ref.	Part Number	Qty.	Description
1	322-2	2	Screw-HH	18	325-5	4	Screw-HH
2	2412-133	2	Clamp-R	19	115-5618	2	Pivot-Hub
3	121-9081-01	1	Cover-Rear	20	115-5647	1	HYD Lift Cylinder ASM
4	104-7048	1	Cap-Housing	21	340-132	2	Fitting-Elbow, 90 DEG
5	104-7050	1	Tube-Manual	21:1	237-78	1	O-Ring
6	108-2282	1	Pin-Clevis	21:2	237-21	1	O-Ring
7	3272-23	1	Pin-Cotter	22	95-8837	1	Hose ASM
8	130-7879-01	1	Frame-Adapter	23	100-3833	1	Hose-HYD
9	108-6885	2	Pin ASM	24	323-34	1	Screw-HH
10	32144-10	3	Screw-HWH	25	53-6380	1	Washer-Flat
11	323-12	2	Screw-HH	26	104-8301	6	Nut-HF, NI
12	3256-26	4	Washer-Flat	28	104-8300	2	Nut-HF, NI
13	120-3465-03	1	Frame-Hitch	29	108-5472	1	Tube ASM
14	323-10	4	Screw-HH	29:2	256-311	2	Bushing-Split
15	120-3457	1	Rear Hitch ASM	30	110-1368-01	1	Plate-Roller
15:1	115-5609-01	1	Hitch	31	32144-10	1	Screw-HWH
15:2	95-3577	2	Bushing	33	3256-3	6	Washer-Flat
15:3	302-5	4	Fitting-Grease	35	302-5	1	Fitting-Grease
15:4	33-3090	4	Bushing	36	99-8445	2	Screw-HWH
16	115-5648	1	Pin-Flag				



Hydraulic Lift Cylinder Assembly No. 115-5647

<i>Ref.</i>	<i>Part Number</i>	<i>Qty.</i>	<i>Description</i>
1	108-4597	1	Seal Kit
1:1		1	O-Ring ●
1:2		1	O-Ring ●
1:3		1	Ring-Back Up ●
1:4		1	Seal-Psp ●
1:5		1	Seal-Rod ●
1:6		1	Seal-Dust ●
2	302-5	1	Fitting-Grease

● Not serviced separately

Attachments and Accessories

For 08703 Sand Pro 3040 Traction Unit

Product Name	Model/Part
Midmount Toolbar System	08731
Tooth Rake	08751
Spring Rake	08752
Rear Broom	08753
Finish Grader	08754
Manual Blade	08714
Spiker	08755
Drag Mat Carrier System	08756
Rear Remote Hydraulic Kit	08781
Wheel and Tire Assembly	121-9077
Spark Arrestor Screen	119-7185
MVP Filter Kit	30035
Yellow Hydraulic Cap	107-1576
Draw Bar Hitch Assembly	110-1375
LED Light Kit	08740
Speed Limiter Kit	110-1371
Smooth Wheel and Tire Assembly	112-0034
Premium All Purpose Grease (Tube)	108-1190
Drag Mat Assembly	112-1424
Variable Orifice Kit	112-1433
QAS Nail Drag	08761
QAS Bunker Pump	08765
PX Hydraulic Fluid (5 Gal)	133-8086
Carbide Tine Pack	119-2152
PX Hydraulic Fluid (55 Gal)	133-8087
Turf Groomer, Sand Pro Traction Unit with QAS	08794
Yellow Hydraulic Fluid Cap (Tethered)	107-2174
Premium Engine Oil SAE 30 (Drum)	108-1196
Premium Engine Oil SAE 30 (Pail)	108-1197
Armrest Kit	108-6163
Infield Pro 3040 Decal Kit	115-5619
MVP Kit 1000 Hour	44957
Wireless Hourmeter	115-4754

Notes:

Notes:



Count on it.