



Count on it.

Parts Catalog

TimeCutter® MX 5000

Riding Mower

Model No. 75759—Serial No. 406708869 and Up



Ordering Replacement Parts

To order replacement parts, please supply the part number, the quantity, and the description of each part desired.

Understanding Reference Numbers

Each identified part in an illustration has a reference number. The reference number for a part also appears in the parts list, along with other information about the part.

This catalog uses two special reference number formats, one to indicate parts in a service assembly and another to indicate the quantity of a given part in an illustration.

Service Assembly Reference Numbers

Parts in service assemblies have reference numbers in the form a:b. The a represents the reference number of the entire service assembly and the b represents a sequential number unique to each part within the service assembly.

For example, a wheel assembly might be identified by reference number 6, the tire by 6:1, the valve by 6:2, and the wheel by 6:3. When you order the assembly identified by reference number 6, you receive all parts identified by reference numbers 6:1, 6:2, and 6:3. However, you may also order any part individually. Reference numbers of this type appear in illustration and in parts lists.

Reference Numbers Indicating Quantity

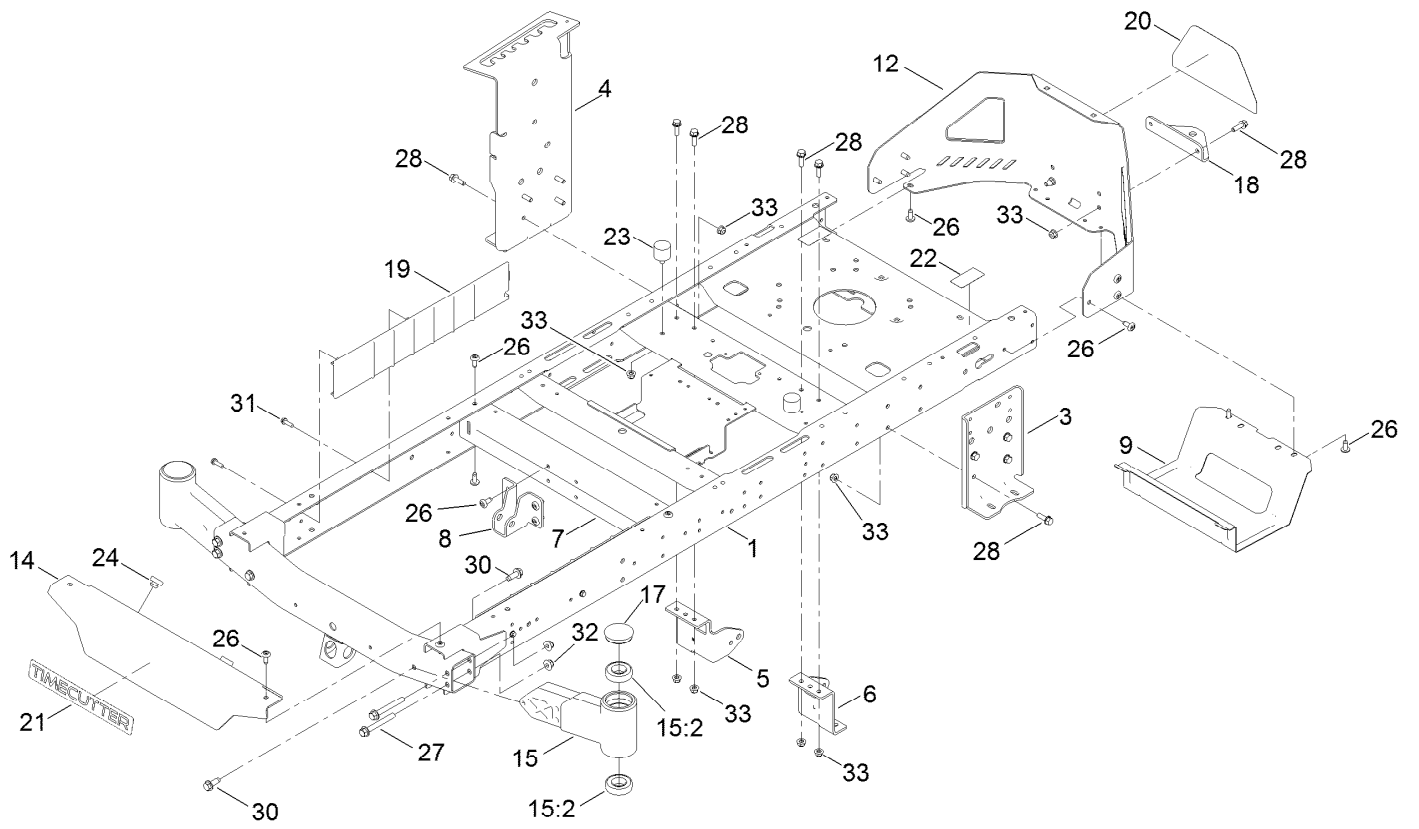
In an illustration, if a reference number indicates more than one part, the reference number has the form nX y. The n represents the quantity of the part, the X is the multiplication symbol, and the y represents the reference number.

For example, in an illustration, the reference number 2X 37 means that two of the parts identified by reference number 37 are indicated.

Contents

| | |
|------------------------------------|----|
| Frame Assembly | 4 |
| Deck Lift Assembly | 6 |
| Tire and Caster Assembly | 8 |
| Traction Drive Assembly | 10 |
| LH Transaxle Assembly No. 139-7460 | 12 |
| RH Transaxle Assembly No. 139-7461 | 14 |
| Brake Assembly | 16 |
| Rear Tire Assembly | 18 |
| Motion Control Assembly | 20 |
| Engine and Muffler Assembly | 22 |
| Body Styling and Fuel Pod Assembly | 24 |
| Electrical Assembly | 26 |
| 50 Inch Deck Assembly | 28 |
| Model Specific Decal Assembly | 30 |
| Seat Pan Assembly | 32 |
| Seat Assembly No. 140-8303 | 34 |
| Clutch Assembly | 36 |
| Attachments and Accessories | 38 |

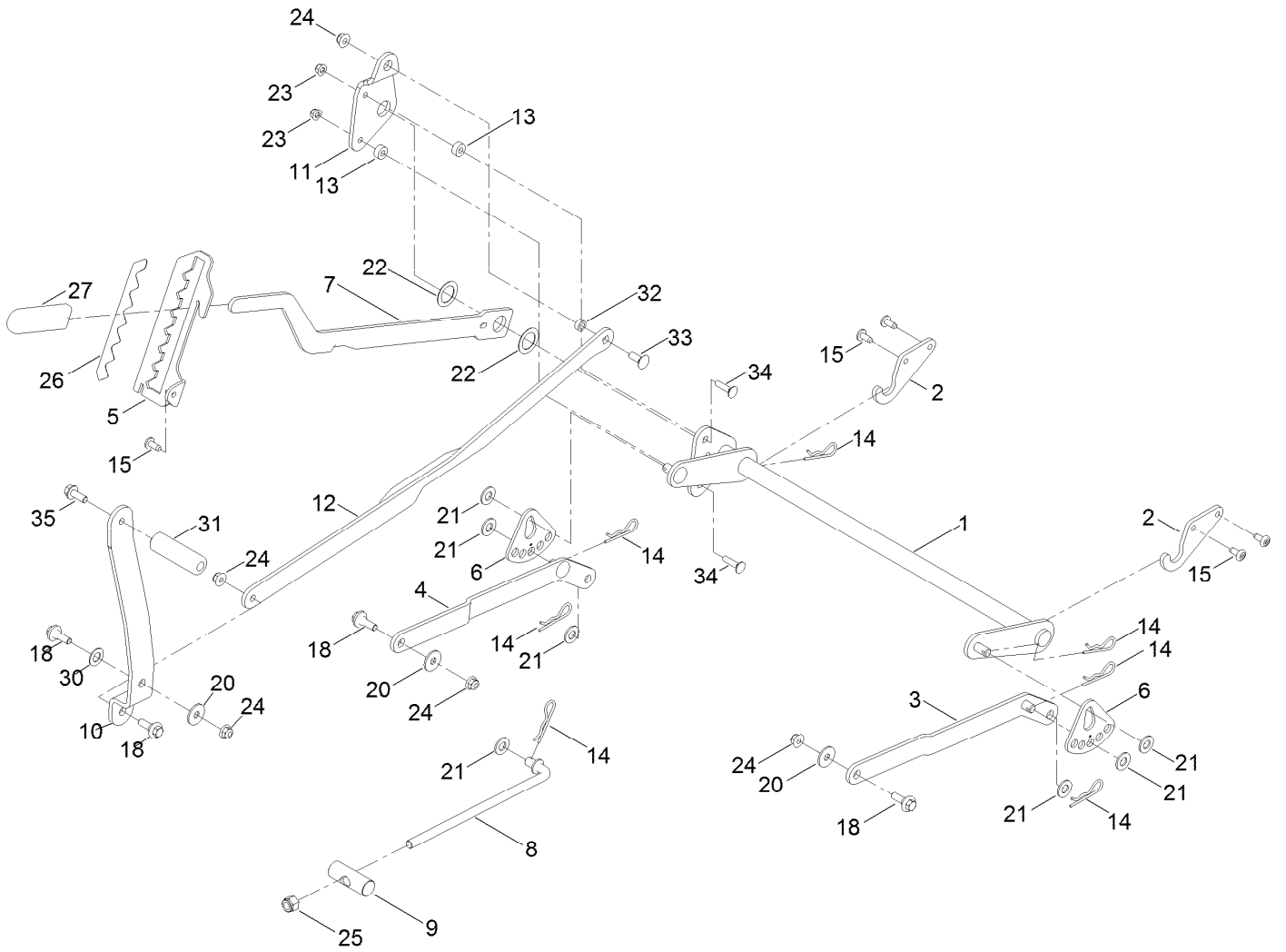
Frame Assembly



Frame Assembly (continued)

| <i>Ref.</i> | <i>Part Number</i> | <i>Qty.</i> | <i>Description</i> | <i>Ref.</i> | <i>Part Number</i> | <i>Qty.</i> | <i>Description</i> |
|-------------|--------------------|-------------|--------------------------------|-------------|--------------------|-------------|--------------------|
| 1 | 137-9820-01 | 1 | Frame Assembly | 18 | 117-1232-03 | 1 | Bracket-Hitch |
| 3 | 138-7520-01 | 1 | Plate-Mount, Hydro | 19 | 138-7516 | 2 | Guard-Rail |
| 4 | 139-2352-01 | 1 | Plate-Mount Hydro, RH | 20 | 139-5890 | 1 | Decal-Timecutter |
| 5 | 137-7020-01 | 1 | Mount-Hydro, Front (Right) | 21 | 139-2387 | 1 | Decal-Timecutter |
| 6 | 139-3211-01 | 1 | Mount-Hydro, Front (Left) | 22 | 121-2989 | 2 | Decal-Bypass |
| 7 | 138-2527-01 | 1 | Brace-Cross, Lower | 23 | 137-4803 | 2 | Bumper-Rubber |
| 8 | 139-3260-01 | 1 | Bracket-Mount Damper, Lower | 24 | 140-3460 | 2 | Bumper-Rubber |
| 9 | 138-0867-03 | 1 | Guard-Muffler | 26 | 138-9753 | 20 | Screw |
| 12 | 138-9820-03 | 1 | Guard-Engine | 27 | 139-2429 | 4 | Screw-HHF |
| 14 | 138-7596-01 | 1 | Footrest | 28 | 3234-29 | 14 | Screw-HHF |
| 15 | 140-2097 | 2 | Axle Stub ASM | 30 | 139-2428 | 4 | Screw-HWH |
| 15:2 | 109-3678 | 2 | Bearing-Ball | 31 | 46-8091 | 4 | Screw-HWH |
| 17 | 138-7200 | 2 | Cap-Grease | 32 | 139-2430 | 4 | Nut-HF, NI |
| | | | | 33 | 104-8300 | 16 | Nut-HF, NI |

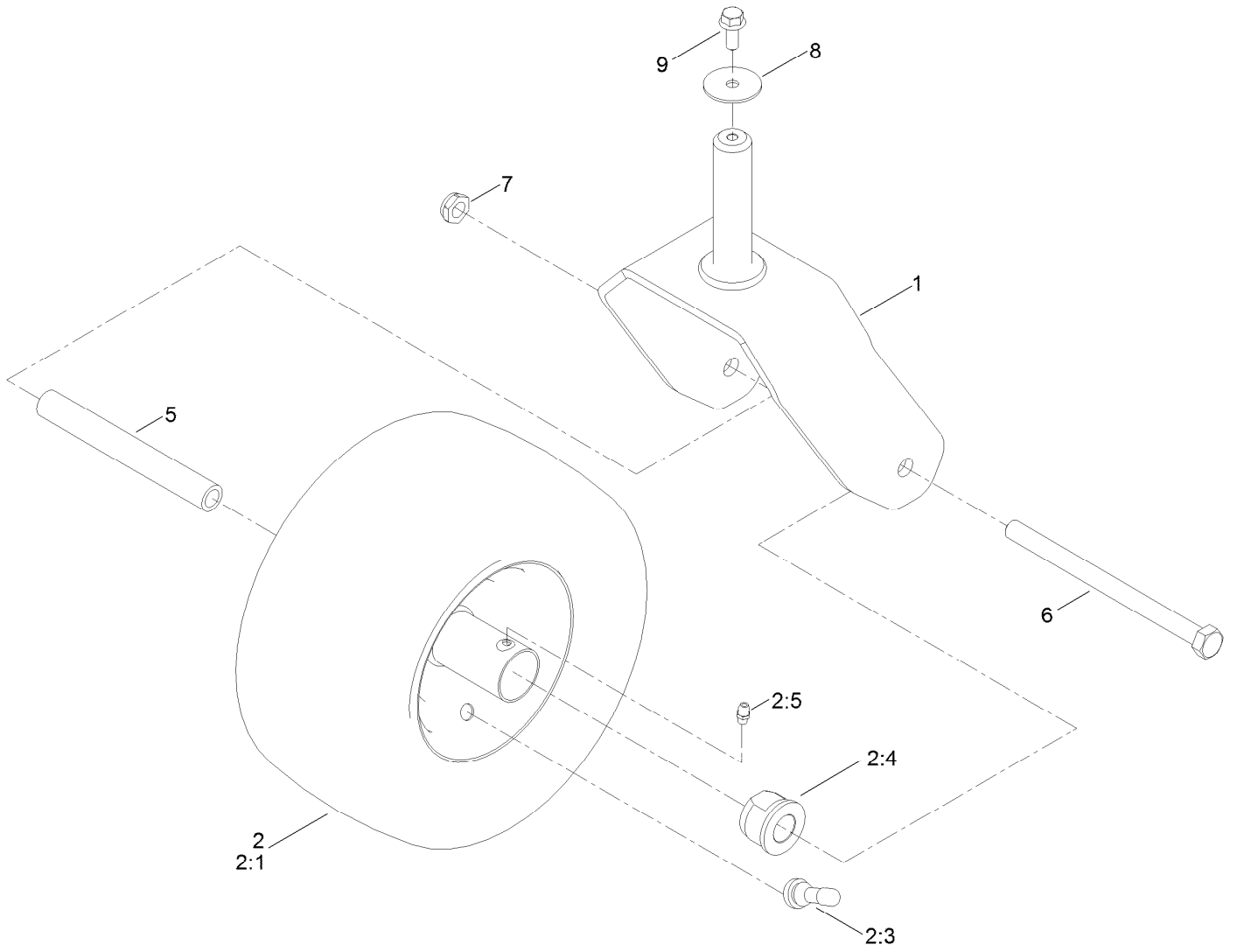
Deck Lift Assembly



Deck Lift Assembly (continued)

| <i>Ref.</i> | <i>Part Number</i> | <i>Qty.</i> | <i>Description</i> | <i>Ref.</i> | <i>Part Number</i> | <i>Qty.</i> | <i>Description</i> |
|-------------|--------------------|-------------|-------------------------|-------------|--------------------|-------------|--------------------|
| 1 | 137-7093-03 | 1 | Deck Lift ASM | 18 | 137-9847 | 4 | Screw-Shoulder |
| 2 | 138-6021 | 2 | Bracket-Pivot, Decklift | 20 | 93-8806 | 3 | Washer-Hardened |
| 3 | 137-9844 | 1 | LH Arm ASM | 21 | 3256-26 | 7 | Washer-Flat |
| 4 | 137-9846 | 1 | RH Arm ASM | 22 | 63-2290 | 2 | Washer-Thrust |
| 5 | 139-2350-01 | 1 | Bracket-HOC | 23 | 104-8300 | 2 | Nut-HF, NI |
| 6 | 138-2564 | 2 | Plate-Adjustment, HOC | 24 | 104-8301 | 5 | Nut-HF, NI |
| 7 | 137-7087-03 | 1 | Lever-Lift | 25 | 3296-19 | 1 | Nut-Hex |
| 8 | 138-6050 | 1 | Rod-Mount, Deck | 26 | 139-2392 | 1 | Decal-HOC |
| 9 | 119-8810 | 1 | Pin-Pivot | 27 | 1-633268 | 1 | Grip-Lever |
| 10 | 138-2549-03 | 1 | Pedal-Lift | 30 | 120-2273 | 1 | Washer-Nylon |
| 11 | 137-7086 | 1 | Plate-Footlift | 31 | 139-7452 | 1 | Pedal-Foot Lift |
| 12 | 140-2746-03 | 1 | Link ASM | 32 | 140-2093 | 1 | Spacer |
| 13 | 140-3461 | 2 | Spacer | 33 | 139-2590 | 1 | Screw-CARR |
| 14 | 1-806005 | 7 | Pin-Cotter | 34 | 3230-3 | 2 | Screw-CARR |
| 15 | 138-9753 | 5 | Screw | 35 | 139-2597 | 1 | Screw-HHF |

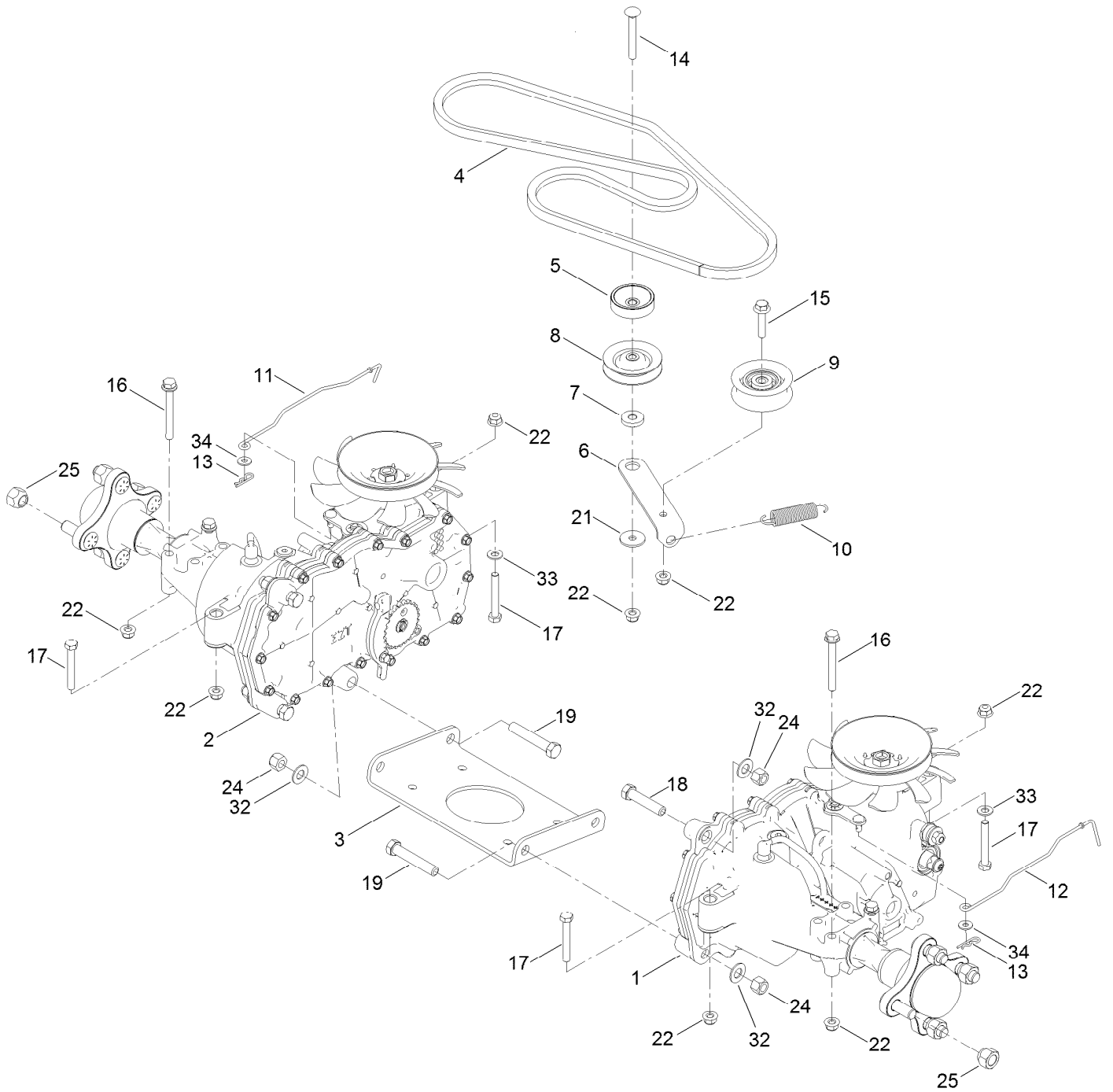
Tire and Caster Assembly



Tire and Caster Assembly (continued)

| <i>Ref.</i> | <i>Part Number</i> | <i>Qty.</i> | <i>Description</i> | <i>Ref.</i> | <i>Part Number</i> | <i>Qty.</i> | <i>Description</i> |
|-------------|--------------------|-------------|--------------------|-------------|--------------------|-------------|--------------------|
| 1 | 138-9839-01 | 2 | Fork ASM | 5 | 138-9803 | 2 | Spacer-Spanner |
| 2 | 139-5843 | 2 | Tire ASM | 6 | 325-37 | 2 | Screw-HH |
| 2:1 | 138-7553 | 1 | Tire | 7 | 3296-45 | 2 | Nut-Hex |
| 2:3 | 232-27 | 1 | Stem-Valve | 8 | 3256-68 | 2 | Washer-Flat |
| 2:4 | 114-1640 | 2 | Bushing-Flange | 9 | 3234-47 | 2 | Screw-HHF |
| 2:5 | 302-5 | 1 | Fitting-Grease | | | | |

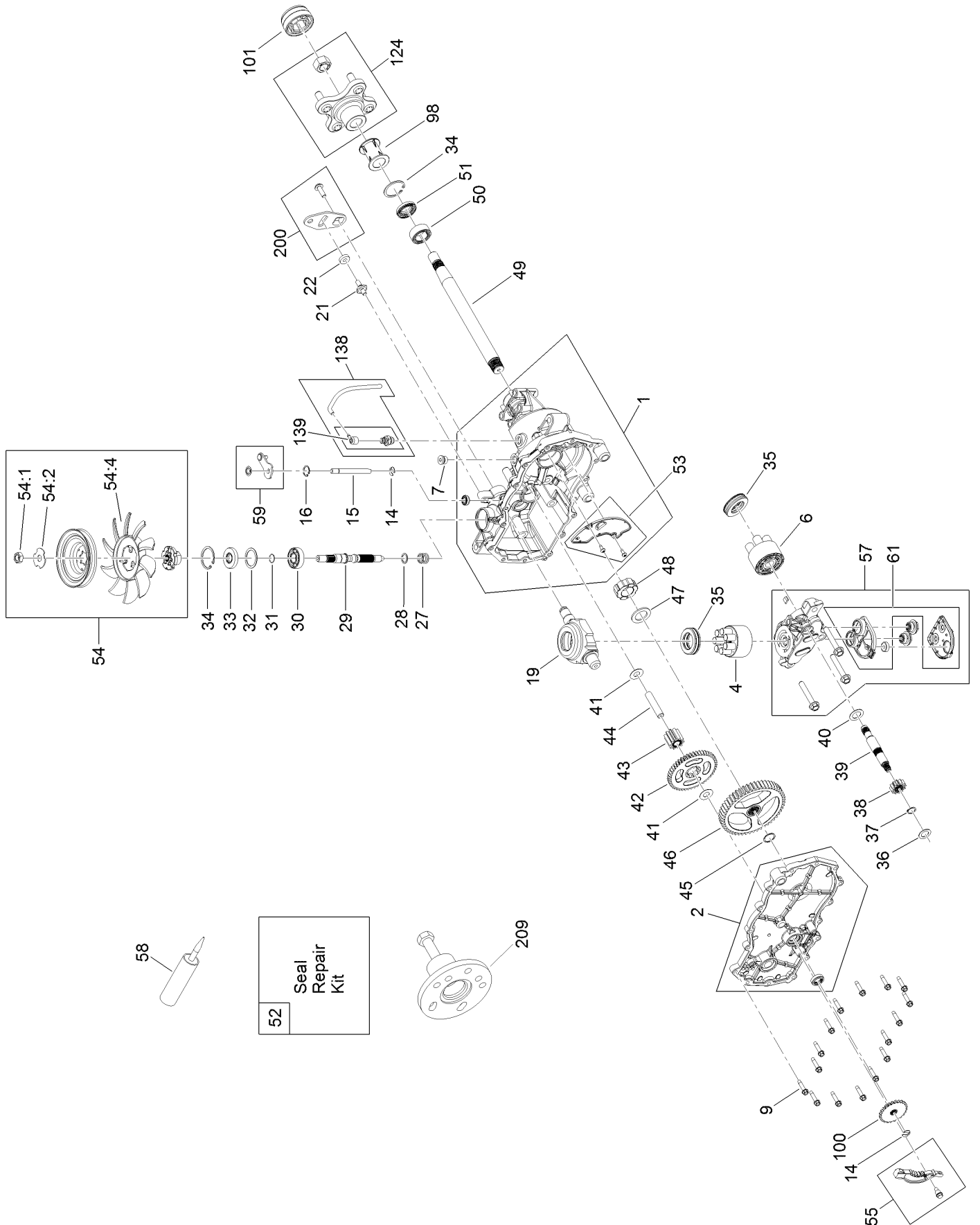
Traction Drive Assembly



Traction Drive Assembly (continued)

| <i>Ref.</i> | <i>Part Number</i> | <i>Qty.</i> | <i>Description</i> | <i>Ref.</i> | <i>Part Number</i> | <i>Qty.</i> | <i>Description</i> |
|-------------|--------------------|-------------|------------------------|-------------|--------------------|-------------|--------------------|
| 1 | 139-7460 | 1 | LH Hydro Transaxle ASM | 14 | 3230-8 | 1 | Screw-CARR |
| 2 | 139-7461 | 1 | RH Hydro Transaxle ASM | 15 | 115-1794 | 1 | Screw-HHF |
| 3 | 138-2571-03 | 1 | Crossplate-Hydro | 16 | 138-7590 | 4 | Screw-HHF |
| 4 | 139-2399 | 1 | V-Belt | 17 | 322-11 | 4 | Screw-HH |
| 5 | 138-9809 | 1 | Spacer | 18 | 324-8 | 2 | Screw-HH |
| 6 | 138-7276 | 1 | Arm-Idler | 19 | 324-10 | 4 | Screw-HH |
| 7 | 138-7277 | 1 | Spacer-Arm, Idler | 21 | 5-4460 | 1 | Washer-Pivot |
| 8 | 68-0030 | 1 | Idler | 22 | 104-8300 | 10 | Nut-HF, NI |
| 9 | 138-7597 | 1 | Pulley-Idler, Flat | 24 | 3296-48 | 6 | Nut-Hex |
| 10 | 137-7040 | 1 | Spring-Return, Pedal | 25 | 242-50 | 8 | Nut-Lug |
| 11 | 138-7245 | 1 | Rod-Bypass, RH | 32 | 3256-25 | 6 | Washer-Flat |
| 12 | 138-7243 | 1 | Rod-Bypass, LH | 33 | 3256-23 | 2 | Washer-Plain |
| 13 | 3290-307 | 2 | Pin-Cotter | 34 | 119-8952 | 2 | Washer |

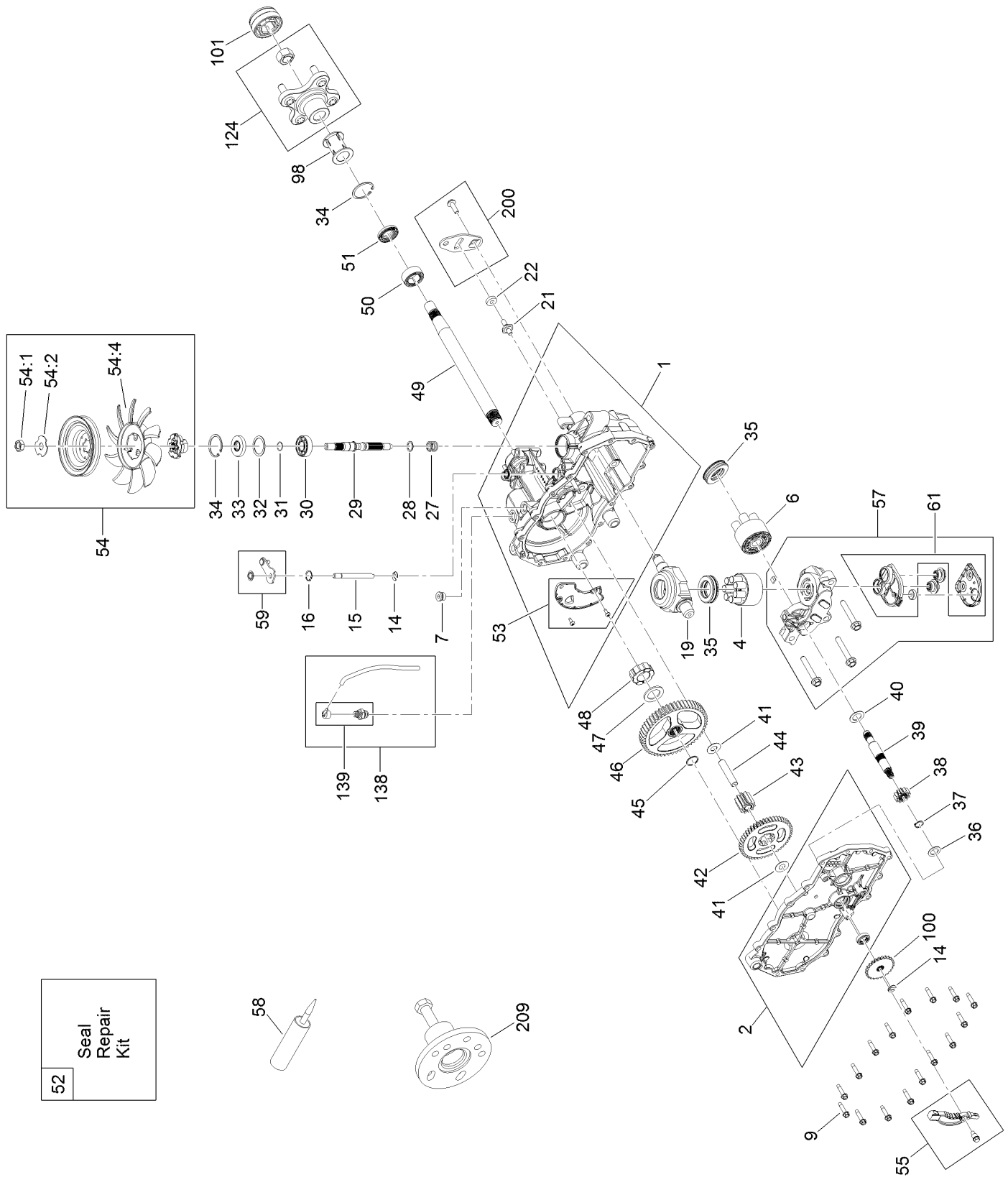
LH Transaxle Assembly No. 139-7460



LH Transaxle Assembly No. 139-7460 (continued)

| <i>Ref.</i> | <i>Part Number</i> | <i>Qty.</i> | <i>Description</i> | <i>Ref.</i> | <i>Part Number</i> | <i>Qty.</i> | <i>Description</i> |
|-------------|--------------------|-------------|--------------------------|-------------|--------------------|-------------|---------------------------|
| 1 | 106-8695 | 1 | Main Housing ASM | 43 | 104-5318 | 1 | Gear-Jackshaft, 10T |
| 2 | 106-8696 | 1 | Side ASM | 44 | 104-5329 | 1 | Pin-Jackshaft |
| 4 | 110-8561 | 1 | Pump Block ASM | 45 | 112-9854 | 1 | Ring-Spiral, Retaining |
| 6 | 103-2666 | 1 | Cylinder Block Kit | 46 | 112-9855 | 1 | Gear-52T, Bull |
| 7 | 104-2189 | 1 | Plug-Thread, Straight | 47 | 112-9856 | 1 | Washer |
| 9 | 104-5305 | 16 | Screw-HHF | 48 | 112-9857 | 1 | Bearing-Sleeve |
| 14 | 106-8677 | 1 | Ring-Retaining, External | 49 | 120-7104 | 1 | Shaft-Axle |
| 15 | 106-8678 | 1 | Rod-Bypass | 50 | 112-9859 | 1 | Bushing-Axle |
| 16 | 106-8679 | 1 | Ring-Retaining, Internal | 51 | 112-9860 | 1 | Seal-Lip |
| 19 | 104-5304 | 1 | Swashplate-Trunnion | 52 | 106-8686 | 1 | Seal Kit |
| 21 | 104-2116 | 1 | Stud | 53 | 106-8697 | 1 | Expansion Plate Kit |
| 22 | 112-9853 | 1 | Puck-Friction | 54 | 135-7349 | 1 | Fan And Pulley Kit |
| 27 | 94-1936 | 1 | Spring-Block | 54:1 | 116-9714 | 1 | Nut-HJ |
| 28 | 120-5538 | 1 | Washer | 54:2 | 116-9708 | 1 | Washer-Slotted |
| 29 | 104-5306 | 1 | Shaft-Input | 54:4 | 135-7364 | 1 | Fan 7.0 X 10 Blade |
| 30 | 104-5311 | 1 | Bearing-Ball | 55 | 106-8688 | 1 | Brake Arm Kit |
| 31 | 104-5307 | 1 | Ring-Retaining | 57 | 112-9861 | 1 | Center Section Filter Kit |
| 32 | 104-5308 | 1 | Spacer | 58 | 104-2147 | 1 | Sealant |
| 33 | 104-5310 | 1 | Seal-Lip | 59 | 120-5549 | 1 | Bypass Kit |
| 34 | 104-5309 | 2 | Ring-Retaining | 61 | 114-1634 | 1 | Filter Kit |
| 35 | 94-6922 | 2 | Bearing-Thrust | 98 | 120-7109 | 1 | Tube-Axle |
| 36 | 104-5339 | 1 | Washer-Flat | 100 | 106-8694 | 1 | Disc-Brake, Cog |
| 37 | 104-5340 | 1 | Ring-Retaining | 101 | 115-5057 | 1 | Cover-Nut, Axle |
| 38 | 104-5316 | 1 | Gear-Pinnion, 13T | 124 | 109-5939 | 1 | Hub Kit |
| 39 | 106-8683 | 1 | Shaft-Motor | 138 | 112-9866 | 1 | Breather Kit |
| 40 | 104-5360 | 1 | Washer | 139 | 114-1635 | 1 | Breather ASM |
| 41 | 119-5541 | 2 | Washer | 200 | 117-5362 | 1 | Control Arm Kit |
| 42 | 104-5317 | 1 | Gear-10T/48T | 209 | 114-8467 | 1 | Puller-Hub, 4 Bolt |

RH Transaxle Assembly No. 139-7461



RH Transaxle Assembly No. 139-7461 (continued)

| <i>Ref.</i> | <i>Part Number</i> | <i>Qty.</i> | <i>Description</i> | <i>Ref.</i> | <i>Part Number</i> | <i>Qty.</i> | <i>Description</i> |
|-------------|--------------------|-------------|--------------------------|-------------|--------------------|-------------|---------------------------|
| 1 | 106-8674 | 1 | Main Housing ASM | 43 | 104-5318 | 1 | Gear-Jackshaft, 10T |
| 2 | 106-8675 | 1 | Side ASM | 44 | 104-5329 | 1 | Pin-Jackshaft |
| 4 | 110-8561 | 1 | Pump Block ASM | 45 | 112-9854 | 1 | Ring-Spiral, Retaining |
| 6 | 103-2666 | 1 | Cylinder Block Kit | 46 | 112-9855 | 1 | Gear-52T, Bull |
| 7 | 104-2189 | 1 | Plug-Thread, Straight | 47 | 112-9856 | 1 | Washer |
| 9 | 104-5305 | 16 | Screw-HHF | 48 | 112-9857 | 1 | Bearing-Sleeve |
| 14 | 106-8677 | 1 | Ring-Retaining, External | 49 | 120-7104 | 1 | Shaft-Axle |
| 15 | 106-8678 | 1 | Rod-Bypass | 50 | 112-9859 | 1 | Bushing-Axle |
| 16 | 106-8679 | 1 | Ring-Retaining, Internal | 51 | 112-9860 | 1 | Seal-Lip |
| 19 | 104-5304 | 1 | Swashplate-Trunnion | 52 | 106-8686 | 1 | Seal Kit |
| 21 | 104-2116 | 1 | Stud | 53 | 106-8697 | 1 | Expansion Plate Kit |
| 22 | 112-9853 | 1 | Puck-Friction | 54 | 135-7349 | 1 | Fan And Pulley Kit |
| 27 | 94-1936 | 1 | Spring-Block | 54:1 | 116-9714 | 1 | Nut-HJ |
| 28 | 120-5538 | 1 | Washer | 54:2 | 116-9708 | 1 | Washer-Slotted |
| 29 | 104-5306 | 1 | Shaft-Input | 54:4 | 135-7364 | 1 | Fan 7.0 X 10 Blade |
| 30 | 104-5311 | 1 | Bearing-Ball | 55 | 106-8688 | 1 | Brake Arm Kit |
| 31 | 104-5307 | 1 | Ring-Retaining | 57 | 112-9862 | 1 | Center Section Filter Kit |
| 32 | 104-5308 | 1 | Spacer | 58 | 104-2147 | 1 | Sealant |
| 33 | 104-5310 | 1 | Seal-Lip | 59 | 107-2489 | 1 | Bypass Arm Kit |
| 34 | 104-5309 | 2 | Ring-Retaining | 61 | 114-1634 | 1 | Filter Kit |
| 35 | 94-6922 | 2 | Bearing-Thrust | 98 | 120-7109 | 1 | Tube-Axle |
| 36 | 104-5339 | 1 | Washer-Flat | 100 | 106-8694 | 1 | Disc-Brake, Cog |
| 37 | 104-5340 | 1 | Ring-Retaining | 101 | 115-5057 | 1 | Cover-Nut, Axle |
| 38 | 104-5316 | 1 | Gear-Pinnion, 13T | 124 | 109-5939 | 1 | Hub Kit |
| 39 | 106-8683 | 1 | Shaft-Motor | 138 | 112-9866 | 1 | Breather Kit |
| 40 | 104-5360 | 1 | Washer | 139 | 114-1635 | 1 | Breather ASM |
| 41 | 119-5541 | 2 | Washer | 200 | 117-5362 | 1 | Control Arm Kit |
| 42 | 104-5317 | 1 | Gear-10T/48T | 209 | 114-8467 | 1 | Puller-Hub, 4 Bolt |

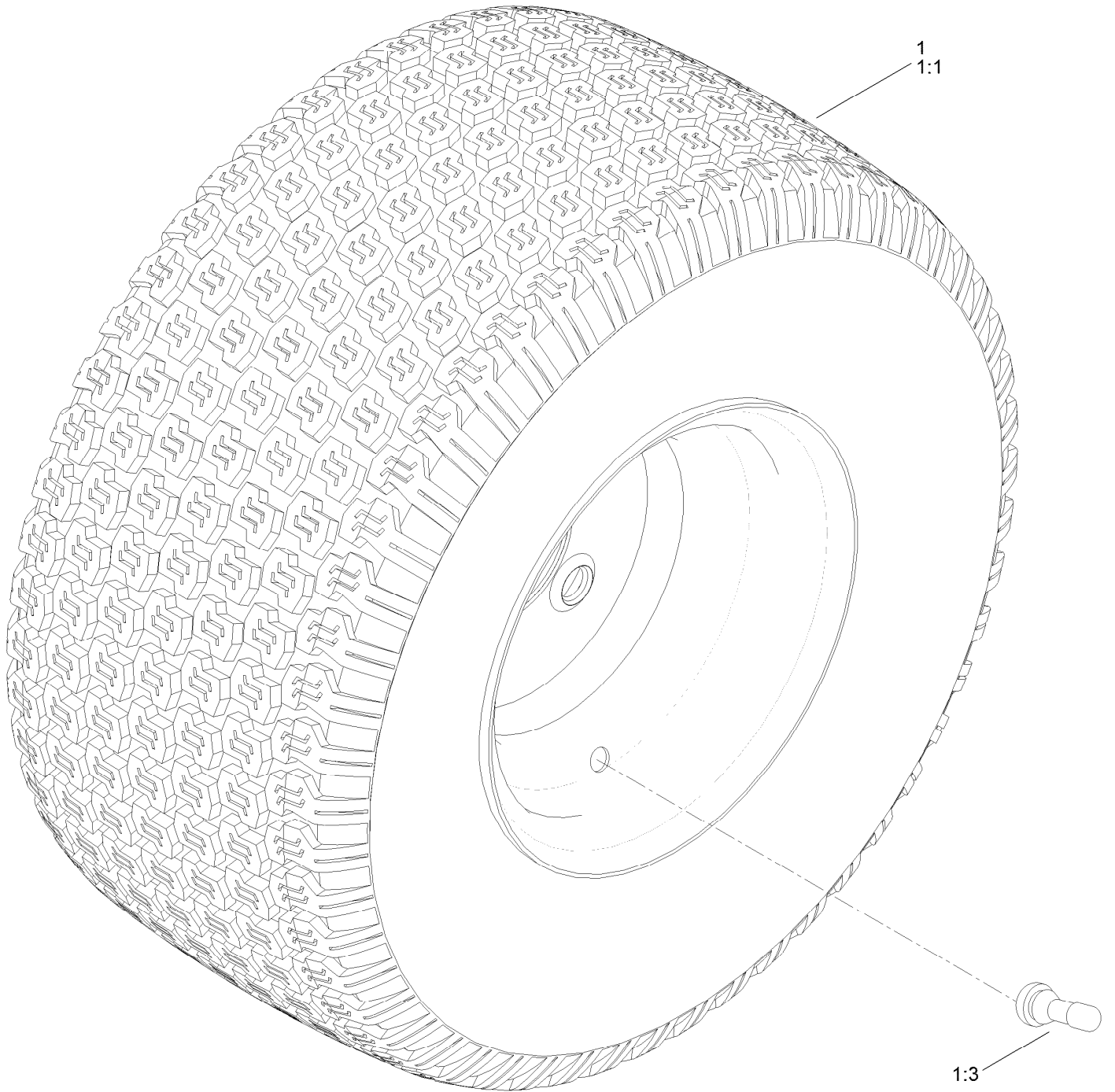
Brake Assembly



Brake Assembly (continued)

| <i>Ref.</i> | <i>Part Number</i> | <i>Qty.</i> | <i>Description</i> | <i>Ref.</i> | <i>Part Number</i> | <i>Qty.</i> | <i>Description</i> |
|-------------|--------------------|-------------|----------------------|-------------|--------------------|-------------|--------------------|
| 1 | 138-2514 | 1 | Brake Box ASM | 7 | 3290-307 | 2 | Pin-Cotter |
| 2 | 133-9284-03 | 1 | Bracket-Mount, Brake | 8 | 32144-36 | 4 | Screw-PPH |
| 3 | 138-2591 | 1 | Rod-Brake, LH | 9 | 32144-4 | 2 | Screw-HWH |
| 4 | 138-2592 | 1 | Rod-Brake, RH | 10 | 119-8952 | 6 | Washer |
| 5 | 117-1169 | 4 | Spring-Compression | 11 | 3296-42 | 2 | Nut-Lock, NI |

Rear Tire Assembly

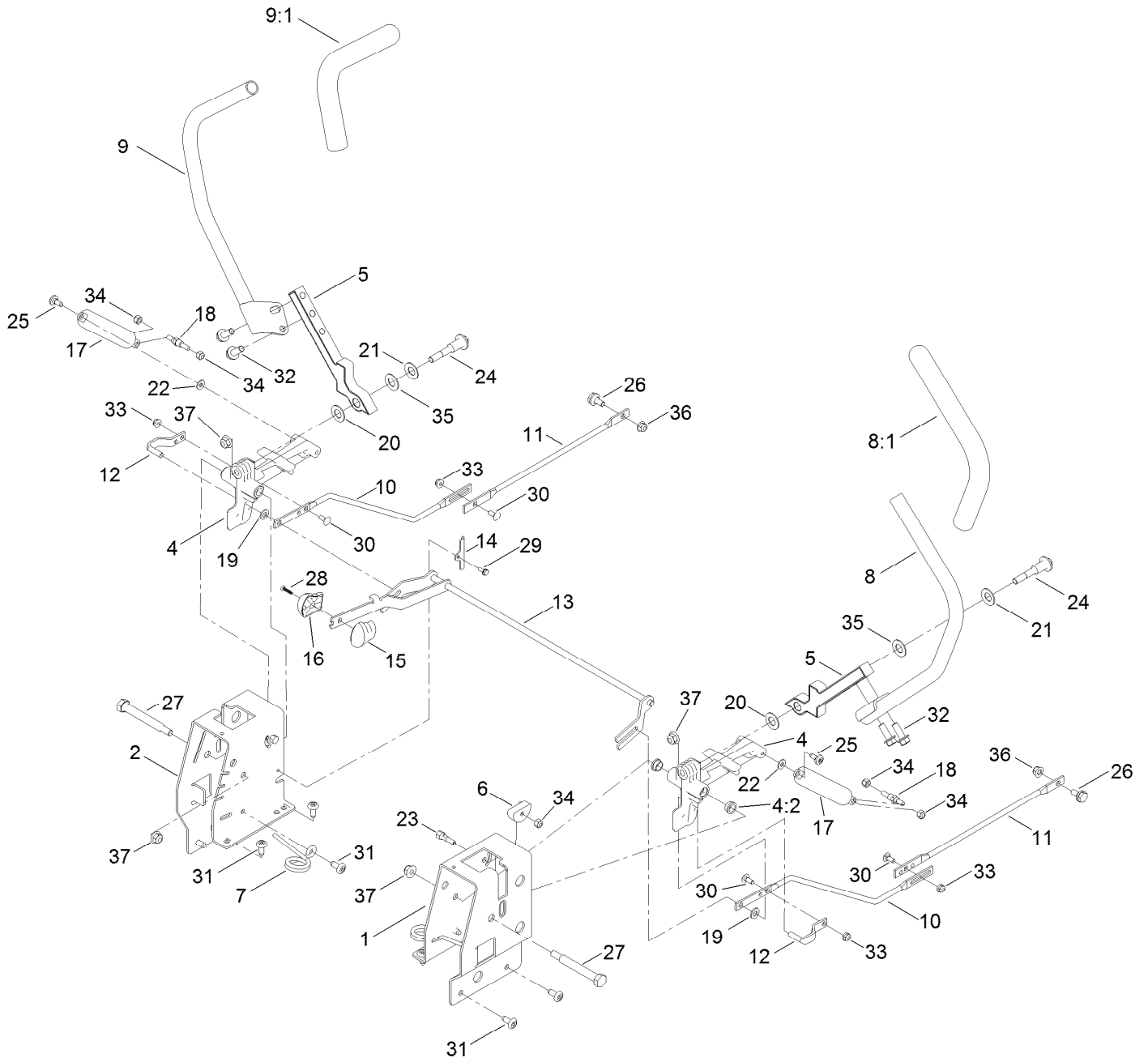


Rear Tire Assembly (continued)

| <i>Ref.</i> | <i>Part Number</i> | <i>Qty.</i> | <i>Description</i> | <i>Ref.</i> | <i>Part Number</i> | <i>Qty.</i> | <i>Description</i> |
|-------------|--------------------|-------------|--------------------|-------------|--------------------|-------------|--------------------|
| 1 | 139-5847 | 2 | Tire ASM | 1:3 | 232-27 | 1 | Stem-Valve |
| 1:1 | 140-2731 | 1 | Tire | 1:99 | 232-37 | 1 | Tube ● |

● Not illustrated

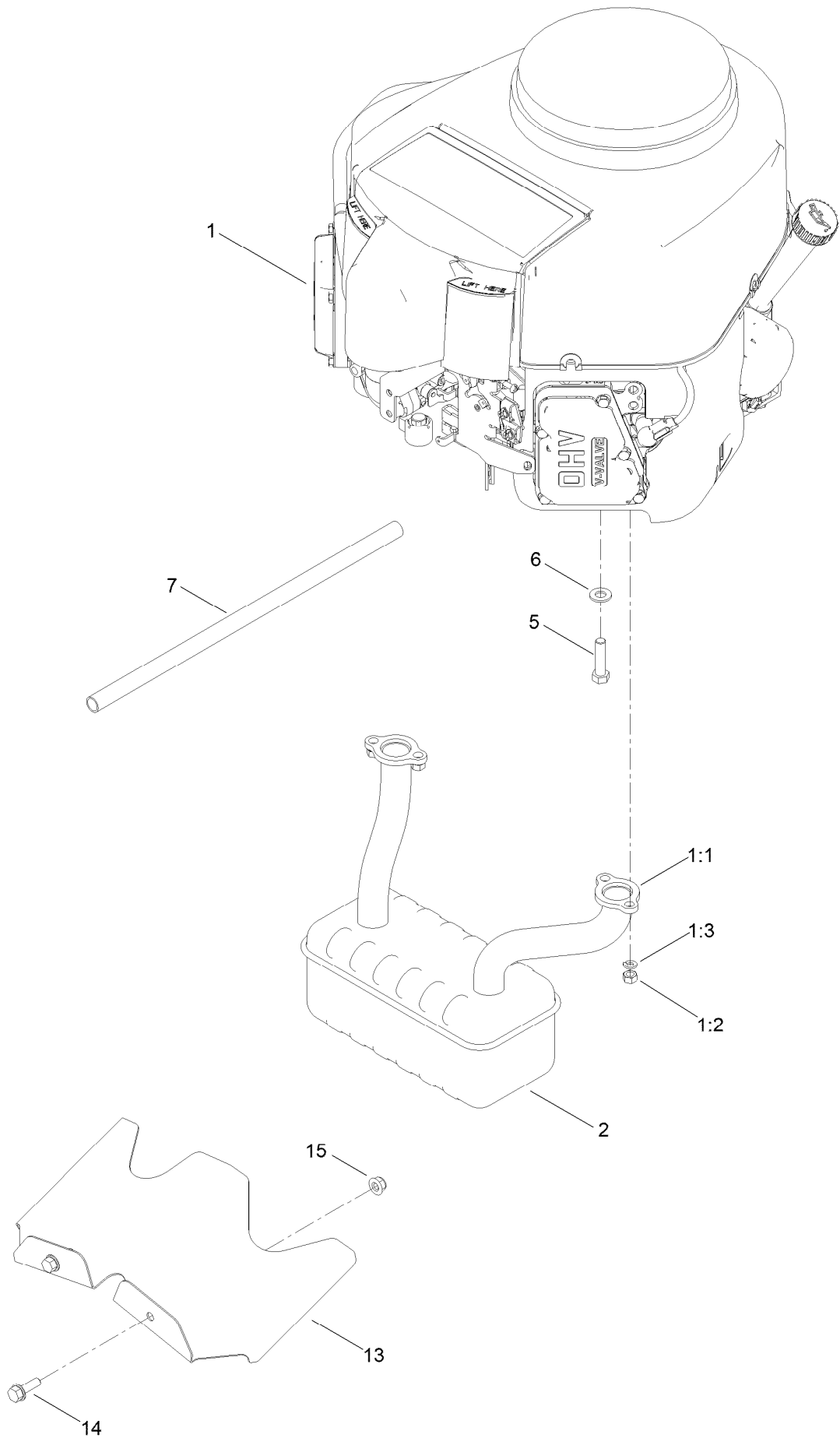
Motion Control Assembly



Motion Control Assembly (continued)

| <i>Ref.</i> | <i>Part Number</i> | <i>Qty.</i> | <i>Description</i> | <i>Ref.</i> | <i>Part Number</i> | <i>Qty.</i> | <i>Description</i> |
|-------------|--------------------|-------------|-----------------------|-------------|--------------------|-------------|-----------------------|
| 1 | 138-7598-03 | 1 | Plate-Control Box, LH | 19 | 93-6079 | 2 | Spacer-Nylon |
| 2 | 138-7599-03 | 1 | Plate-Control Box, RH | 20 | 120-2273 | 2 | Washer-Nylon |
| 4 | 119-3470 | 2 | Actuator Arm ASM | 21 | 119-8925 | 2 | Washer-Belleville |
| 4:2 | 256-156 | 2 | Bushing-Flange | 22 | 119-8952 | 2 | Washer |
| 5 | 133-9299-05 | 2 | Arm-Control | 23 | 139-5811 | 2 | Bolt-Pivot, Eccentric |
| 6 | 139-5803 | 2 | Eccentric | 24 | 117-1198 | 2 | Bolt-Pivot |
| 7 | 138-7539 | 2 | Spring-Torsion | 25 | 120-7950 | 2 | Screw-Torx |
| 8 | 133-7055 | 1 | Handle-Control, LH | 26 | 37-8771 | 2 | Bolt-Shoulder, HF |
| 8:1 | 121-0726 | 1 | Grip | 27 | 115-5099 | 2 | Bolt-Pivot |
| 9 | 133-7057 | 1 | Handle-Control, RH | 28 | 94-4496 | 1 | Screw-PPH |
| 9:1 | 121-0726 | 1 | Grip | 29 | 32144-1 | 2 | Screw-Taptite |
| 10 | 138-2580 | 2 | Rod-Hydro, Front | 30 | 3229-11 | 4 | Screw-CARR |
| 11 | 138-2579 | 2 | Rod-Hydro, Rear | 31 | 138-9753 | 10 | Screw |
| 12 | 121-1753 | 2 | Pin-Rod, Hydro | 32 | 3234-42 | 4 | Screw-HHF |
| 13 | 138-9750 | 1 | Speed Control ASM | 33 | 104-7201 | 4 | Nut-HF |
| 14 | 138-7541 | 2 | Plate-Retainer | 34 | 3296-42 | 6 | Nut-Lock, NI |
| 15 | 132-9368 | 1 | Knob-RH | 35 | 117-1240 | 2 | Washer |
| 16 | 132-9369 | 1 | Knob-LH | 36 | 104-8300 | 2 | Nut-HF, NI |
| 17 | 132-6853 | 2 | Damper-Non Cavitating | 37 | 104-8301 | 4 | Nut-HF, NI |
| 18 | 138-7215 | 2 | Stud-Damper | | | | |

Engine and Muffler Assembly



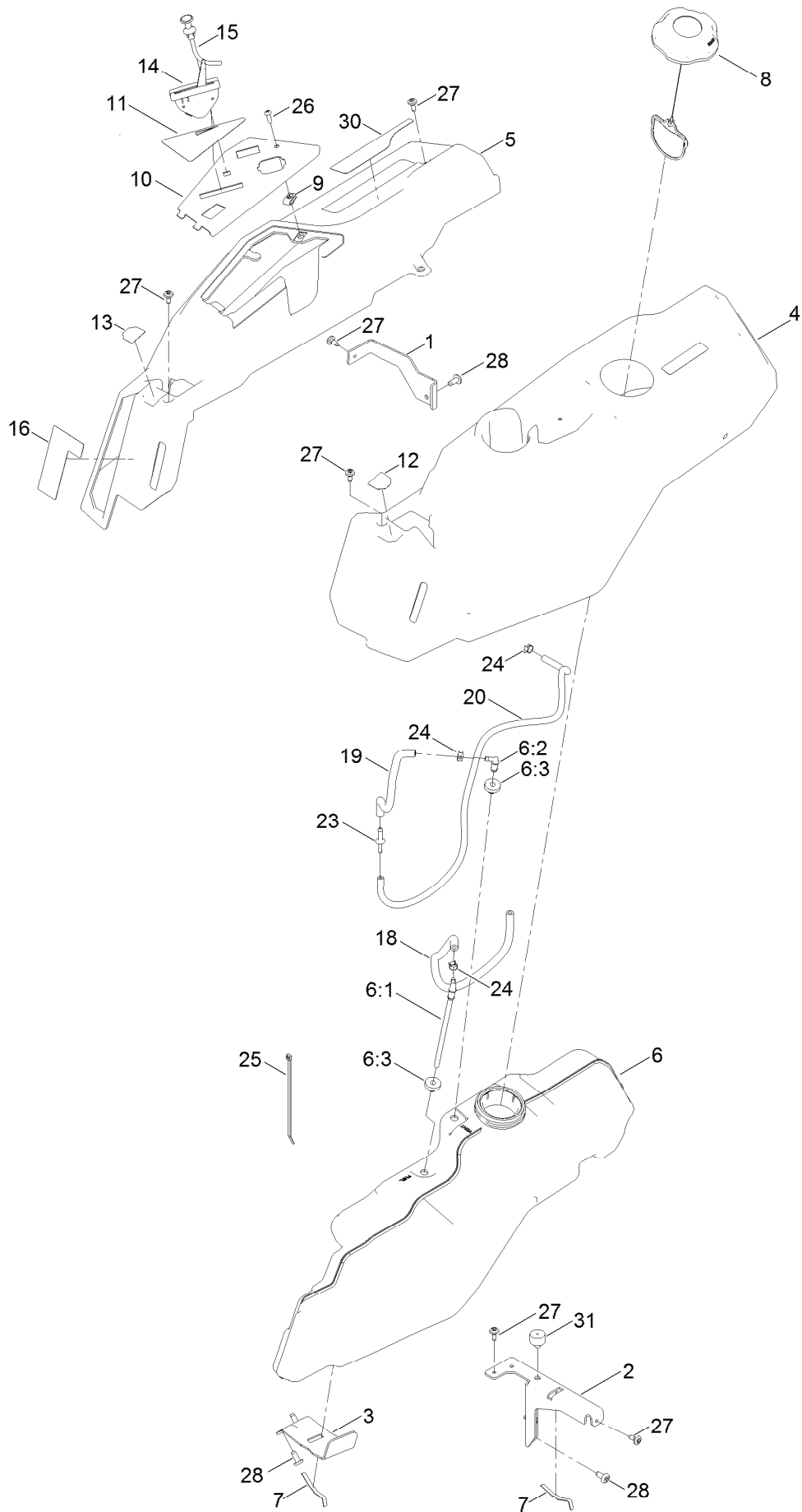
Engine and Muffler Assembly (continued)

| <i>Ref.</i> | <i>Part Number</i> | <i>Qty.</i> | <i>Description</i> | <i>Ref.</i> | <i>Part Number</i> | <i>Qty.</i> | <i>Description</i> |
|-------------|--------------------|-------------|-------------------------------------|-------------|--------------------|-------------|--------------------|
| 1 | | 1 | Engine-Kawasaki, Fr691V-S07-R ●■ | 5 | 323-50 | 4 | Bolt-HH |
| 1:1 | 1-653313 | 2 | Gasket-Exhaust | 6 | 3256-24 | 3 | Washer-Flat |
| 1:2 | 114-3549 | 4 | Nut | 7 | 106-7022 | 1 | Tube-Drain, Oil |
| 1:3 | 114-3550 | 4 | Washer-Lock | 13 | 140-5126-03 | 1 | Shield-Heat |
| 2 | 139-5867 | 1 | Muffler | 14 | 3234-29 | 2 | Screw-HHF |
| | | | | 15 | 104-8300 | 2 | Nut-HF, NI |

● Not serviced separately

■ Obtain parts from www.kawpower.com

Body Styling and Fuel Pod Assembly

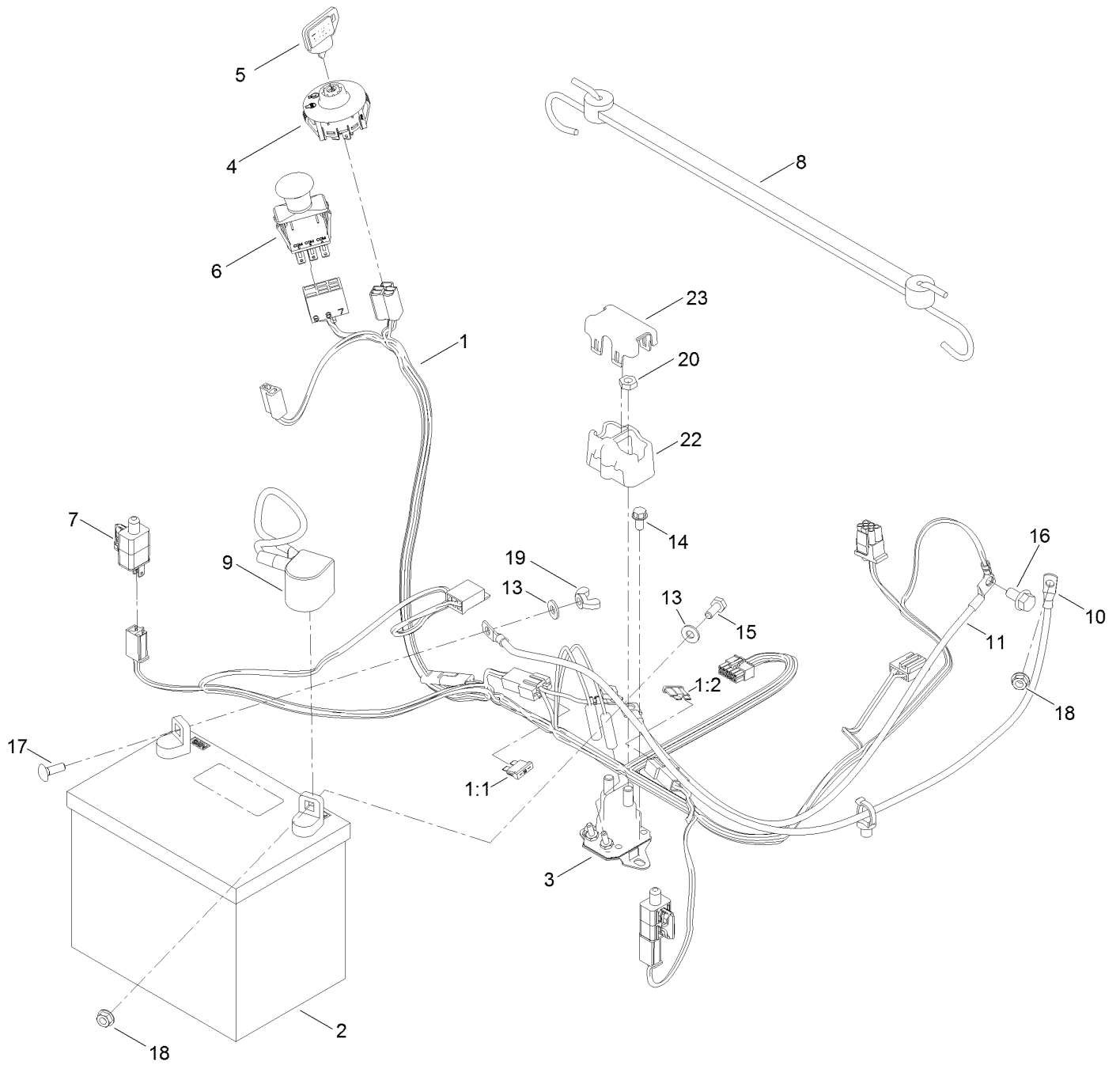


Body Styling and Fuel Pod Assembly (continued)

| <i>Ref.</i> | <i>Part Number</i> | <i>Qty.</i> | <i>Description</i> | <i>Ref.</i> | <i>Part Number</i> | <i>Qty.</i> | <i>Description</i> |
|-------------|--------------------|-------------|-------------------------|-------------|--------------------|-------------|-------------------------|
| 1 | 138-9810-03 | 1 | Bracket-Pod | 13 | 139-2394 | 1 | Decal-Control Lever, RH |
| 2 | 138-6071-03 | 1 | Support-Pod, LH | 14 | 139-2403 | 1 | Cable-Throttle |
| 3 | 139-3271-03 | 1 | Support-Tank, Fuel | 15 | 139-2402 | 1 | Cable-Choke |
| 4 | 138-6074 | 1 | Pod-LH | 16 | 139-2388 | 1 | Decal-Smart Speed |
| 5 | 139-2404 | 1 | Pod-RH, Myride | 18 | 109-0299 | 1 | Hose-Fuel |
| 6 | 138-6072 | 1 | Fuel Tank ASM | 19 | 110-3447 | 1 | Hose-Fuel |
| 6:1 | 139-1091 | 1 | Connector-Elbow, 90 DEG | 20 | 110-3958 | 1 | Hose-Fuel ● |
| 6:2 | 117-7400 | 1 | Fitting-Plastic | 23 | 117-5399 | 1 | Adaptor-Orifice |
| 6:3 | 46-6560 | 2 | Bushing | 24 | 2412-98 | 3 | Clamp-Hose |
| 7 | 609830 | 2 | Spring | 25 | 614249 | 1 | Tie-Cable |
| 8 | 137-4119 | 1 | Cap-Fuel, Ratcheting | 26 | 3258-166 | 1 | Screw-PRH |
| 9 | 107069 | 1 | Clip | 27 | 120-7950 | 6 | Screw-Torx |
| 10 | 139-2380-03 | 1 | Panel - Control | 28 | 138-9753 | 5 | Screw |
| 11 | 139-2391 | 1 | Decal-Panel, Control | 30 | 139-2397 | 1 | Decal-Adjustment |
| 12 | 139-2395 | 1 | Decal-Control Lever, LH | 31 | 120-7893 | 1 | Bumper-Grommet |

● Not illustrated

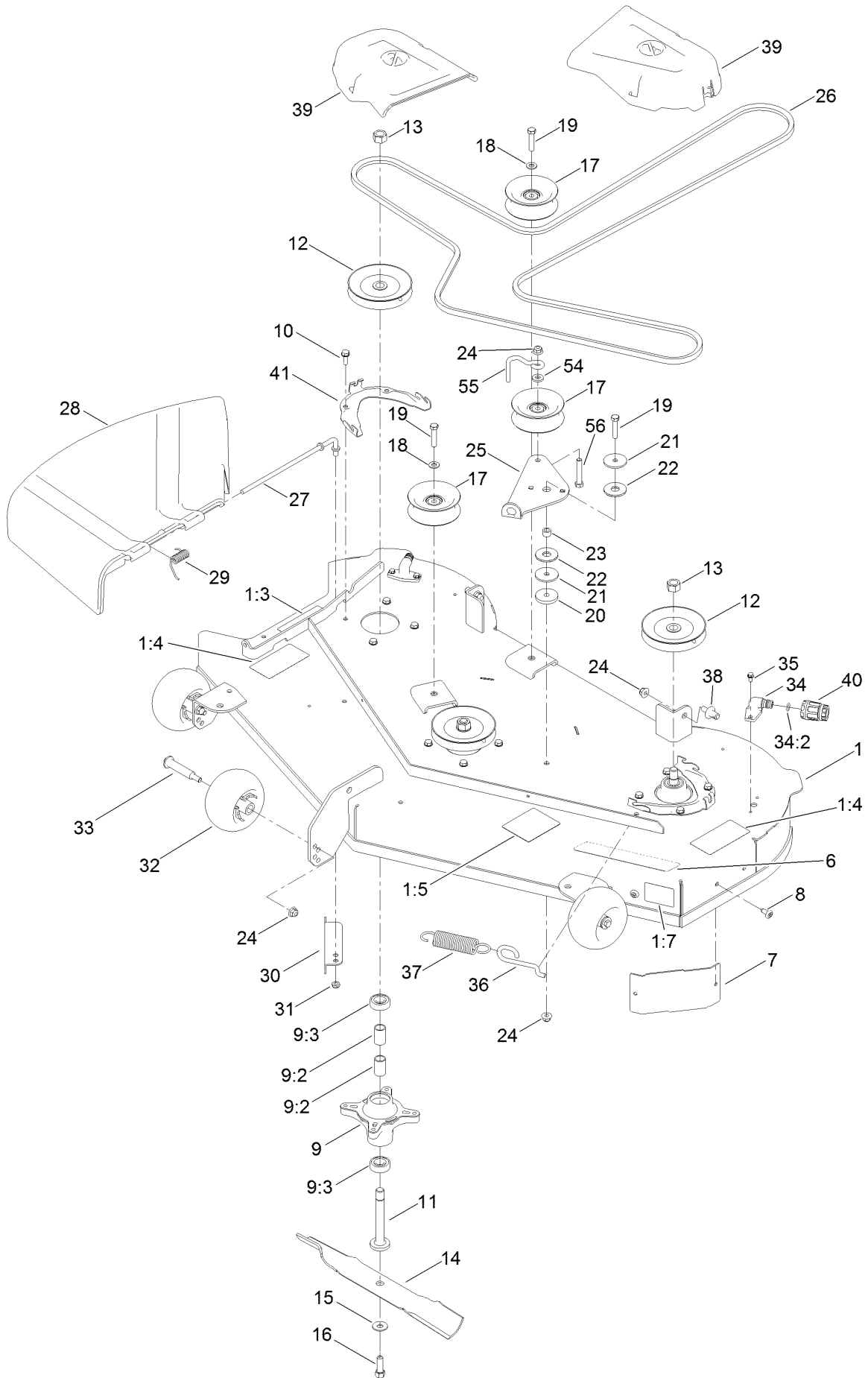
Electrical Assembly



Electrical Assembly (continued)

| <i>Ref.</i> | <i>Part Number</i> | <i>Qty.</i> | <i>Description</i> | <i>Ref.</i> | <i>Part Number</i> | <i>Qty.</i> | <i>Description</i> |
|-------------|--------------------|-------------|------------------------------|-------------|--------------------|-------------|----------------------|
| 1 | 138-2521 | 1 | Harness-Wire | 11 | 110-6793 | 1 | Cable-Battery, Black |
| 1:1 | 109355 | 1 | Fuse-Blade, 15 Amp | 13 | 3256-22 | 2 | Washer-Flat |
| 1:2 | 109102 | 1 | Fuse-Blade, 25 Amp | 14 | 32144-4 | 2 | Screw-HWH |
| 2 | 105-1692 | 1 | Battery | 15 | 321-3 | 1 | Screw-HH |
| 3 | 117-1197 | 1 | Solenoid | 16 | 33104-016 | 1 | Screw-HHF |
| 4 | 137-4100 | 1 | Switch-Ignition | 17 | 3229-1 | 1 | Bolt-CARR |
| 5 | 63-8360 | 1 | Key-Ignition | 18 | 32128-33 | 2 | Nut-HF |
| 6 | 103-5221 | 1 | Switch-PTO | 19 | 32103-22 | 1 | Nut-Wing |
| 7 | 110-6765 | 2 | Switch | 20 | 3220-2 | 2 | Nut-Jam |
| 8 | 139-2381 | 1 | Strap-Rubber | 22 | 140-2080 | 1 | Cover-Solenoid |
| 9 | 140-2713 | 1 | Cable-Battery, Pos | 23 | 140-2081 | 1 | Cap-Solenoid |
| 10 | 139-2431 | 1 | Cable-Battery, Red (8 Gauge) | | | | |

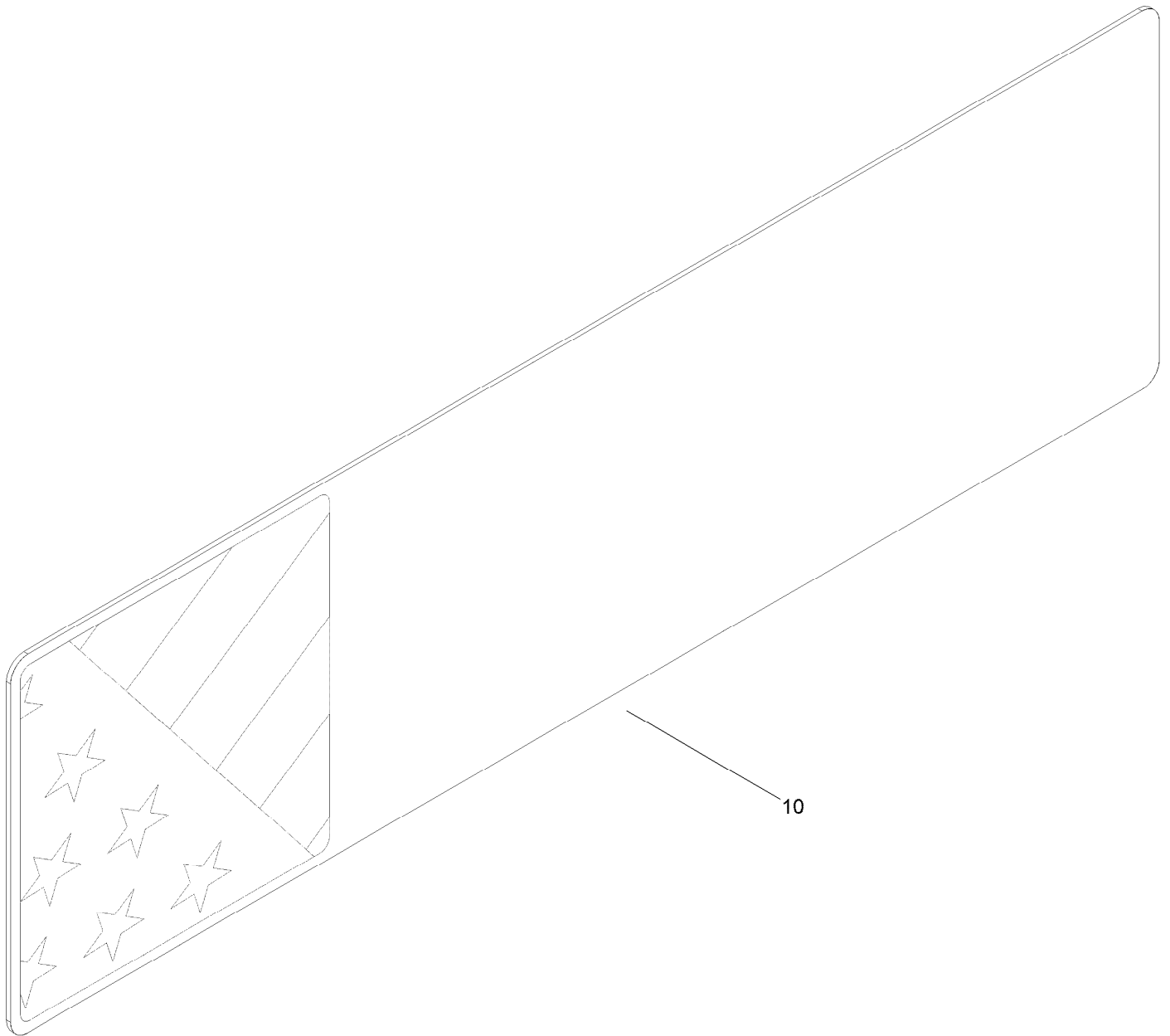
50 Inch Deck Assembly



50 Inch Deck Assembly (continued)

| <i>Ref.</i> | <i>Part Number</i> | <i>Qty.</i> | <i>Description</i> | <i>Ref.</i> | <i>Part Number</i> | <i>Qty.</i> | <i>Description</i> |
|-------------|--------------------|-------------|-------------------------------|-------------|--------------------|-------------|----------------------------|
| 1 | 138-9764 | 1 | 50 Inch Deck And Decal ASM | 22 | 114-0463 | 2 | Washer-Friction, Composite |
| 1:3 | 93-7009 | 1 | Decal-Danger | 23 | 115-4986 | 1 | Spacer |
| 1:4 | 132-0872 | 2 | Decal-Danger, Deck | 24 | 104-8301 | 7 | Nut-HF, NI |
| 1:5 | 99-3943 | 1 | Decal-Routing, Belt | 25 | 138-7262 | 1 | Arm-Idler |
| 1:7 | 112-9840 | 1 | Decal-Scalp, Anti | 26 | 119-8820 | 1 | V-Belt |
| 6 | 139-3208 | 1 | Decal-Deck | 27 | 137-2019 | 1 | Rod-Pivot |
| 7 | 139-2448-03 | 1 | Baffle-Corner | 28 | 138-7502 | 1 | Deflector-Discharge |
| 8 | 138-9753 | 2 | Screw | 29 | 138-7268 | 1 | Spring-Torsion |
| 9 | 139-3214 | 3 | Spindle ASM | 30 | 138-9800-03 | 1 | Baffle-Cutoff |
| 9:2 | 120-7935 | 2 | Spacer | 31 | 3296-59 | 1 | Nut-Lock, NI |
| 9:3 | 138-9770 | 2 | Bearing-Ball | 32 | 1-603299 | 3 | Roller-Scalp, Anti |
| 10 | 32144-41 | 12 | Screw-Taptite | 33 | 112-3977 | 3 | Bolt-Shoulder |
| 11 | 117-7268 | 3 | Shaft-Spindle | 34 | 133-9289 | 2 | Fitting-Washout |
| 12 | 139-7454 | 3 | Pulley | 34:2 | 133-9290 | 1 | O-Ring |
| 13 | 3219-6 | 3 | Nut-Hex | 35 | 32144-4 | 4 | Screw-HWH |
| 14 | 115-5059-03 | 3 | Blade-Hi Lift | 36 | 138-7266 | 1 | Spring-Return, Hook |
| 15 | 3290-465 | 3 | Washer-Belleville | 37 | 138-7264 | 1 | Spring-Extension |
| 16 | 26-0671 | 3 | Screw-HH | 38 | 139-5871 | 2 | Pin-Deck |
| 17 | 132-9420 | 3 | Pulley-Idler, Flat | 39 | 139-3293 | 2 | Cover-Belt |
| 18 | 3256-24 | 2 | Washer-Flat | 40 | 95-3270 | 1 | Connector-Hose |
| 19 | 323-9 | 3 | Screw-HH | 41 | 139-3272-03 | 2 | Bracket-Cover, Belt |
| 20 | 110-9981 | 1 | Washer-Plain | 54 | 138-7207 | 1 | Spacer-Hub, Blower |
| 21 | 63-7400 | 2 | Washer-Rebound | 55 | 138-7270 | 1 | Guide-Belt, Idler |
| | | | | 56 | 323-11 | 1 | Screw-HH |

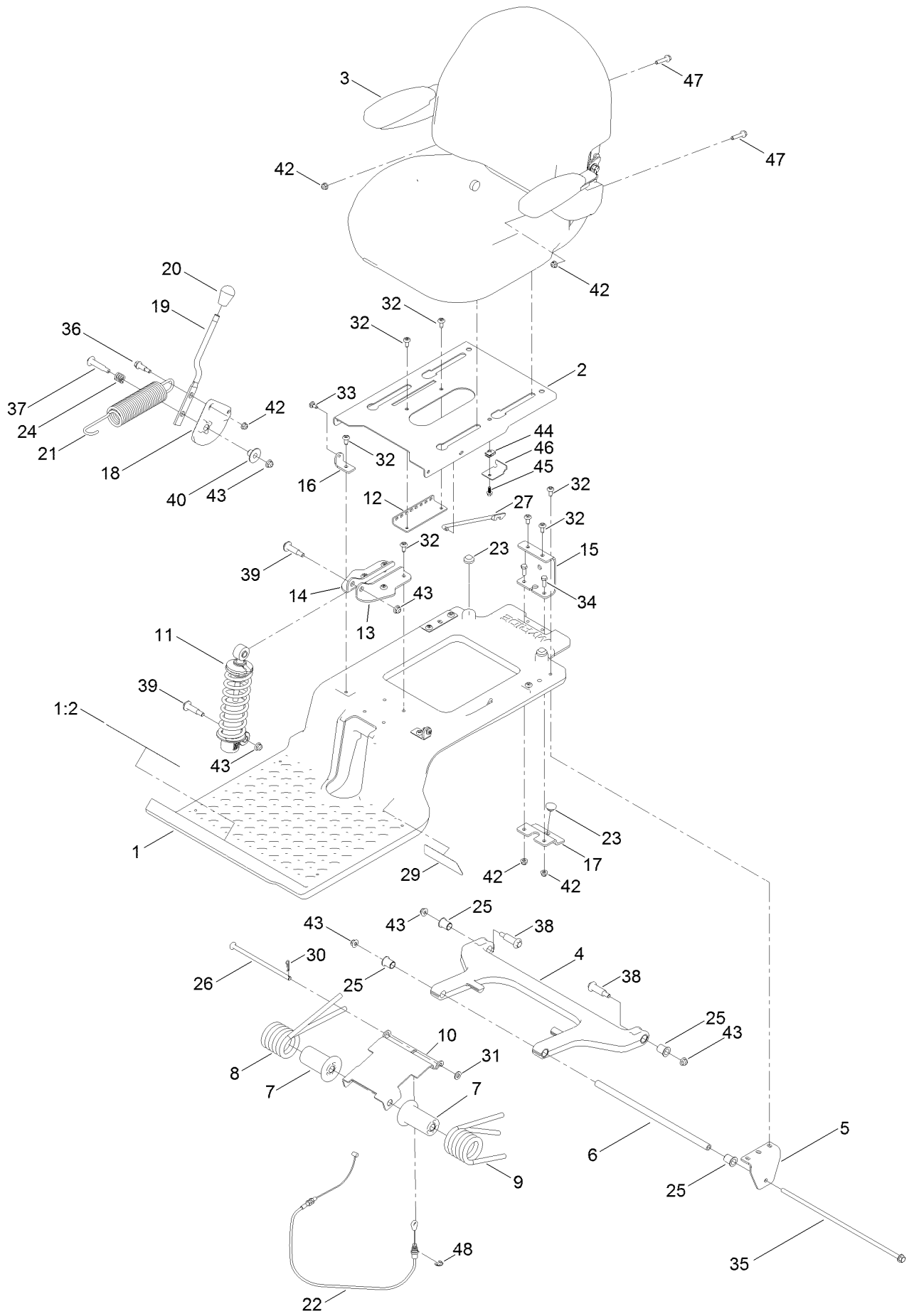
Model Specific Decal Assembly



Model Specific Decal Assembly (continued)

| <i>Ref.</i> | <i>Part Number</i> | <i>Qty.</i> | <i>Description</i> |
|-------------|--------------------|-------------|--------------------|
| 10 | 140-2099 | 1 | Decal |

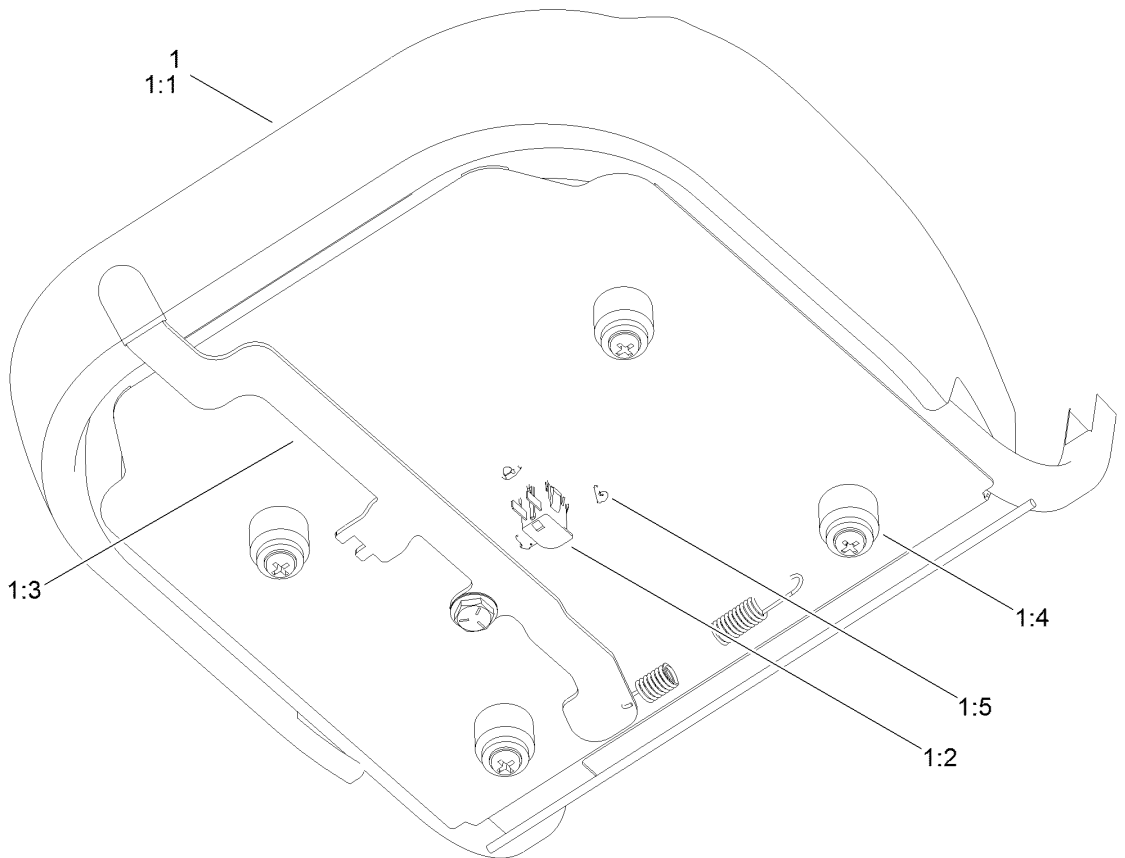
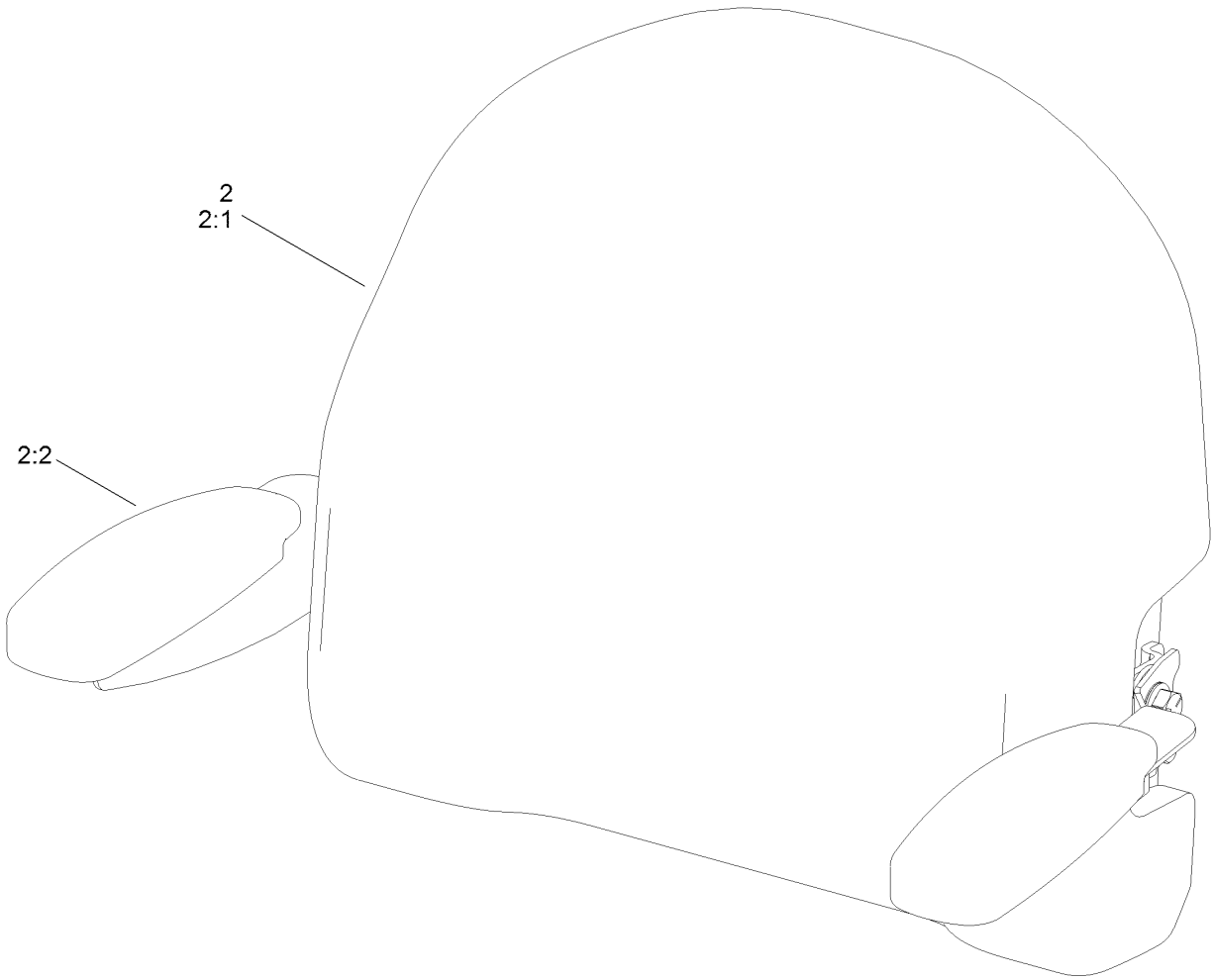
Seat Pan Assembly



Seat Pan Assembly (continued)

| <i>Ref.</i> | <i>Part Number</i> | <i>Qty.</i> | <i>Description</i> | <i>Ref.</i> | <i>Part Number</i> | <i>Qty.</i> | <i>Description</i> |
|-------------|--------------------|-------------|------------------------------------|-------------|--------------------|-------------|--------------------------|
| 1 | 140-5046 | 1 | Subframe ASM | 23 | 135-0505 | 3 | Bumper-Seat |
| 1:2 | 132-0869 | 1 | Decal-Danger | 24 | 139-5858 | 1 | Spring-Compression |
| 2 | 138-7540-03 | 1 | Pan-Seat | 25 | 138-2573 | 4 | Bushing-Flange |
| 3 | 140-8303 | 1 | Seat ASM | 26 | 138-9813 | 1 | Rod-Adjustment |
| 4 | 138-2563 | 1 | Arm, Swing | 27 | 138-2596 | 1 | Rod-Prop, Seat |
| 5 | 138-7517 | 2 | Bracket-Mount, Swing Arm | 29 | 140-0357 | 1 | Decal-Myride |
| 6 | 138-7549 | 1 | Tube-Spacer | 30 | 1-806003 | 1 | Pin-Cotter |
| 7 | 138-9776 | 2 | Retainer-Spring | 31 | 3256-24 | 1 | Washer-Flat |
| 8 | 137-7018 | 1 | Spring-Torsion, RH | 32 | 138-9753 | 14 | Screw |
| 9 | 137-1983 | 1 | Spring-Torsion, LH | 33 | 120-7950 | 2 | Screw-Torx |
| 10 | 138-7566-03 | 1 | Plate-Adjuster | 34 | 322-4 | 2 | Screw-HH |
| 11 | 139-2427 | 1 | Shock/Spring ASM | 35 | 138-7548 | 1 | Screw-HHF |
| 12 | 131-4008-03 | 1 | Bracket-Latch, Seat | 36 | 130-2344 | 1 | Bolt-Shoulder |
| 13 | 133-9318-03 | 1 | Bracket-Shock Mount, Upper (LH) | 37 | 92-1057 | 1 | Bolt-Shoulder |
| 14 | 133-9319-03 | 1 | Bracket-Shock Mount, Upper (RH) | 38 | 138-2547 | 2 | Bolt-Shoulder |
| 15 | 138-9788 | 1 | Bracket-Cable | 39 | 136-7198 | 2 | Bolt-Shoulder |
| 16 | 138-7522 | 2 | Bracket-Seat | 40 | 139-5800 | 1 | Bushing - Flange |
| 17 | 139-2361-03 | 1 | Bracket Lower | 42 | 104-8300 | 5 | Nut-HF, NI |
| 18 | 138-9814 | 1 | Pulley - Cam | 43 | 119-4042 | 6 | Nut-HF, NI |
| 19 | 138-9822 | 1 | Lever - Adjustment | 44 | 107069 | 1 | Clip |
| 20 | 140-5176 | 1 | Knob-Mr | 45 | 99-6810 | 1 | Screw-HHF |
| 21 | 138-9848 | 1 | Spring-Extension | 46 | 138-7214 | 1 | Bracket-Stop, Seat |
| 22 | 138-9812 | 1 | Cable-Adjustment, Myride | 47 | 140-5024 | 2 | Screw-HHF |
| | | | | 48 | 32120-47 | 1 | Ring-Retaining, External |

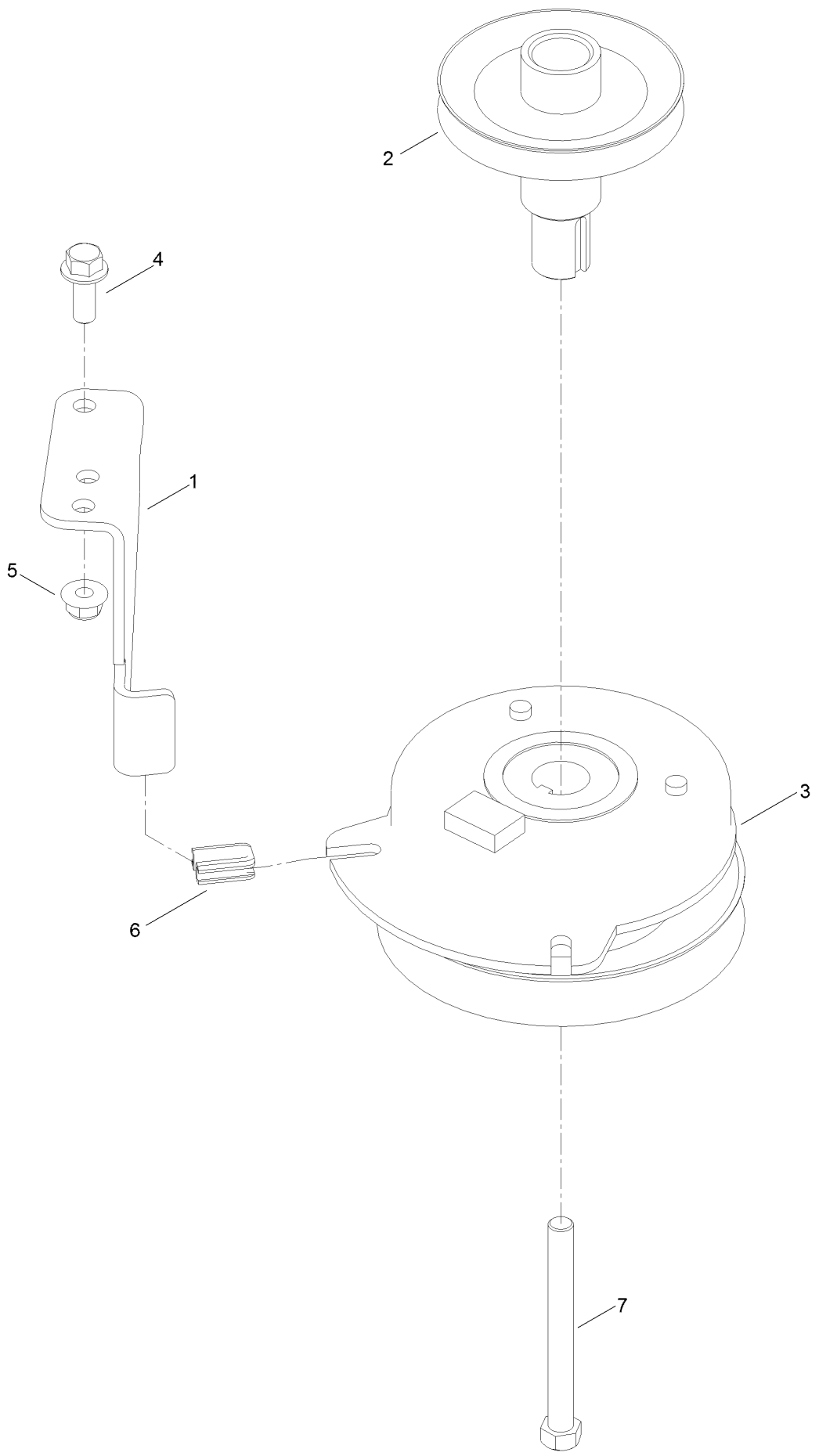
Seat Assembly No. 140-8303



Seat Assembly No. 140-8303 (continued)

| <i>Ref.</i> | <i>Part Number</i> | <i>Qty.</i> | <i>Description</i> | <i>Ref.</i> | <i>Part Number</i> | <i>Qty.</i> | <i>Description</i> |
|-------------|--------------------|-------------|--------------------|-------------|--------------------|-------------|----------------------|
| 1 | 140-8323 | 1 | Seat ASM - Bottom | 1:5 | 140-3468 | 1 | Cap-Switch, Actuator |
| 1:1 | 140-5042 | 1 | Cover-Seat Base | 2 | 140-8324 | 1 | Seat ASM -Back |
| 1:2 | 82-2190 | 1 | Switch-Bail | 2:1 | 140-5041 | 1 | Cover-Seat Back |
| 1:3 | 131-4153 | 1 | Track ASM | 2:2 | 139-5823 | 1 | Arm Rest Kit |
| 1:4 | 131-4154 | 1 | Bushing ASM | | | | |

Clutch Assembly



Clutch Assembly (continued)

| <i>Ref.</i> | <i>Part Number</i> | <i>Qty.</i> | <i>Description</i> | <i>Ref.</i> | <i>Part Number</i> | <i>Qty.</i> | <i>Description</i> |
|-------------|--------------------|-------------|--------------------|-------------|--------------------|-------------|--------------------|
| 1 | 137-7000 | 1 | Stop-Clutch (Wide) | 5 | 104-8301 | 1 | Nut-HF, NI |
| 2 | 138-9792 | 1 | Pulley-Engine | 6 | 120-2217 | 1 | Isolator-Clutch |
| 3 | 127-3408 | 1 | Clutch-PTO | 7 | 3212-17 | 1 | Screw-HH |
| 4 | 3234-42 | 1 | Screw-HHF | | | | |

Attachments and Accessories

For 75759 TimeCutter MX 5000 Riding Mower

| Product Name | Model/Part |
|---|-------------------|
| Twin Bagger, Timecutter 50/54 Inch Fab..... | 79412 |
| 50 Inch Recycler Kit..... | 139-3240 |
| 50 Inch Bagging Enhancement Kit..... | 139-7459 |
| 50 Inch Striping Kit..... | 140-5160 |
| Hourmeter Kit | 116-5461 |
| Front Weight Kit..... | 140-2050 |
| Assist Bar Kit | 140-2052 |
| Heavy Duty Spring Kit..... | 140-2051 |
| ROPS Kit | 79485 |
| Slope Sensor Kit..... | 79486 |
| LED Light Kit..... | 140-2056 |
| Sunshade Kit | 140-2054 |
| Floormat Kit | 140-2061 |
| Jack Mount Kit..... | 140-2711 |
| Jack Kit..... | 127-6666 |
| Blade Kit | 79016P |
| Storage Cover | 490-7516 |
| Seat Cover w/Arm Rest | 117-0097 |
| 4-Cycle Fuel, Snow And Lawn 32oz Can | 131-3823 |
| Fuel Stabilizer .05 oz | 130-2393 |
| Toro Premium Fuel Treatment 12 Oz Bottle | 131-6572 |
| 10w30 4-Cycle Engine Oil (32oz Bottle)..... | 38280 |
| Toro 4-Cycle SAE 30 Oil (32oz Bottle) | 38903 |
| Mower Deck Drive Belt, TimeCutter SS Riding Mower with 50-inch Mowing Deck..... | 79005 |

Notes:



Count on it.