



**Count on it.**

**Parts Catalog**

**TimeCutter® 5475C**

**Riding Mower**

Model No. 75757—Serial No. 406533406 and Up



# Ordering Replacement Parts

To order replacement parts, please supply the part number, the quantity, and the description of each part desired.

## Understanding Reference Numbers

Each identified part in an illustration has a reference number. The reference number for a part also appears in the parts list, along with other information about the part.

This catalog uses two special reference number formats, one to indicate parts in a service assembly and another to indicate the quantity of a given part in an illustration.

## Service Assembly Reference Numbers

Parts in service assemblies have reference numbers in the form a:b. The a represents the reference number of the entire service assembly and the b represents a sequential number unique to each part within the service assembly.

For example, a wheel assembly might be identified by reference number 6, the tire by 6:1, the valve by 6:2, and the wheel by 6:3. When you order the assembly identified by reference number 6, you receive all parts identified by reference numbers 6:1, 6:2, and 6:3. However, you may also order any part individually. Reference numbers of this type appear in illustration and in parts lists.

## Reference Numbers Indicating Quantity

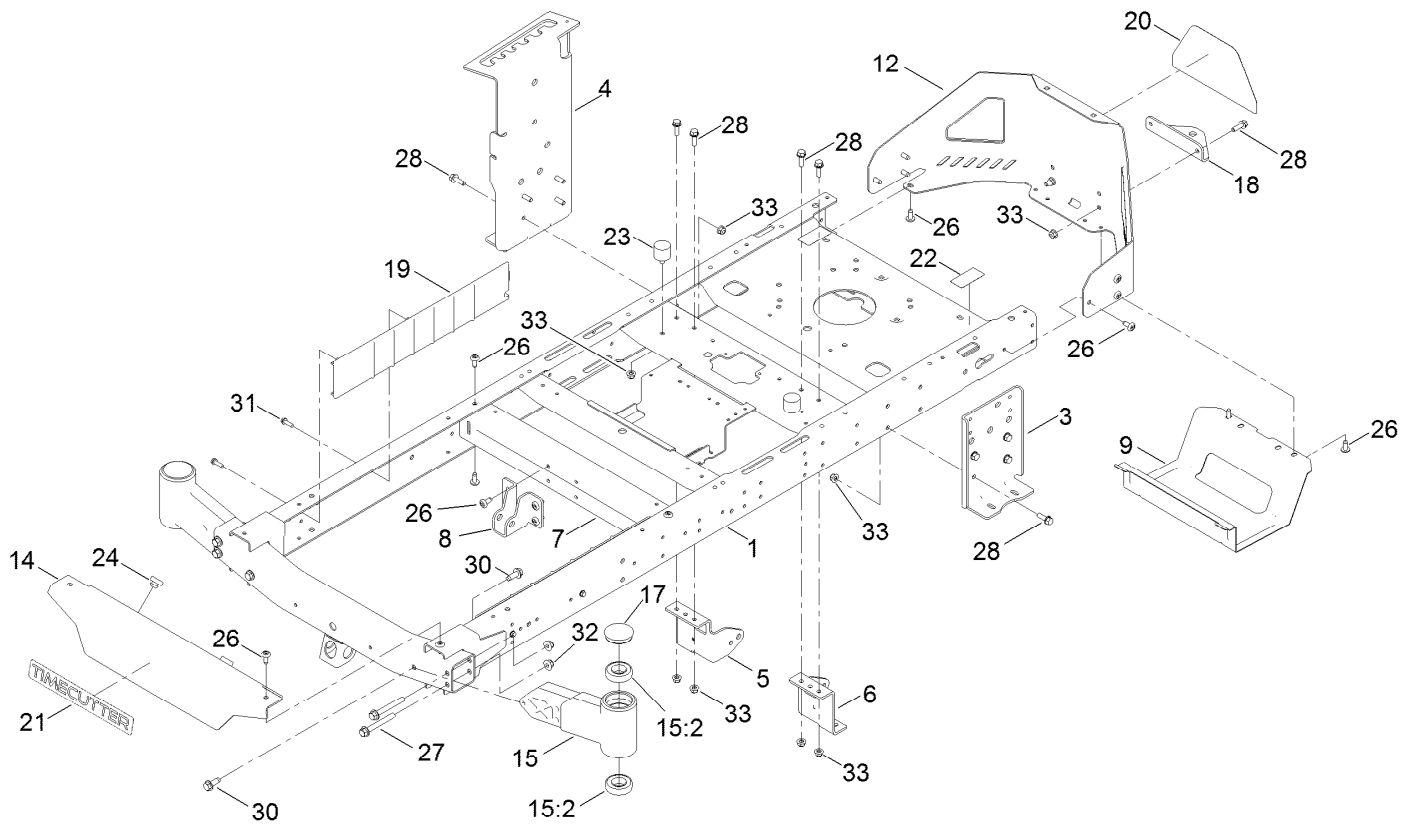
In an illustration, if a reference number indicates more than one part, the reference number has the form nX y. The n represents the quantity of the part, the X is the multiplication symbol, and the y represents the reference number.

For example, in an illustration, the reference number 2X 37 means that two of the parts identified by reference number 37 are indicated.

# Contents

Frame Assembly	4
Deck Lift Assembly	6
Tire and Caster Assembly	8
Traction Drive Assembly	10
LH Transaxle Assembly No. 139-7470	12
RH Transaxle Assembly No. 139-7471	14
Brake Assembly	16
Rear Tire Assembly	18
Motion Control Assembly	20
Engine and Muffler Assembly	22
Body Styling and Fuel Pod Assembly	24
Electrical Assembly	26
54 Inch Deck Assembly	28
Seat Pan Assembly	30
Seat Assembly No. 140-8303	32
Clutch Assembly	34
Attachments and Accessories	36

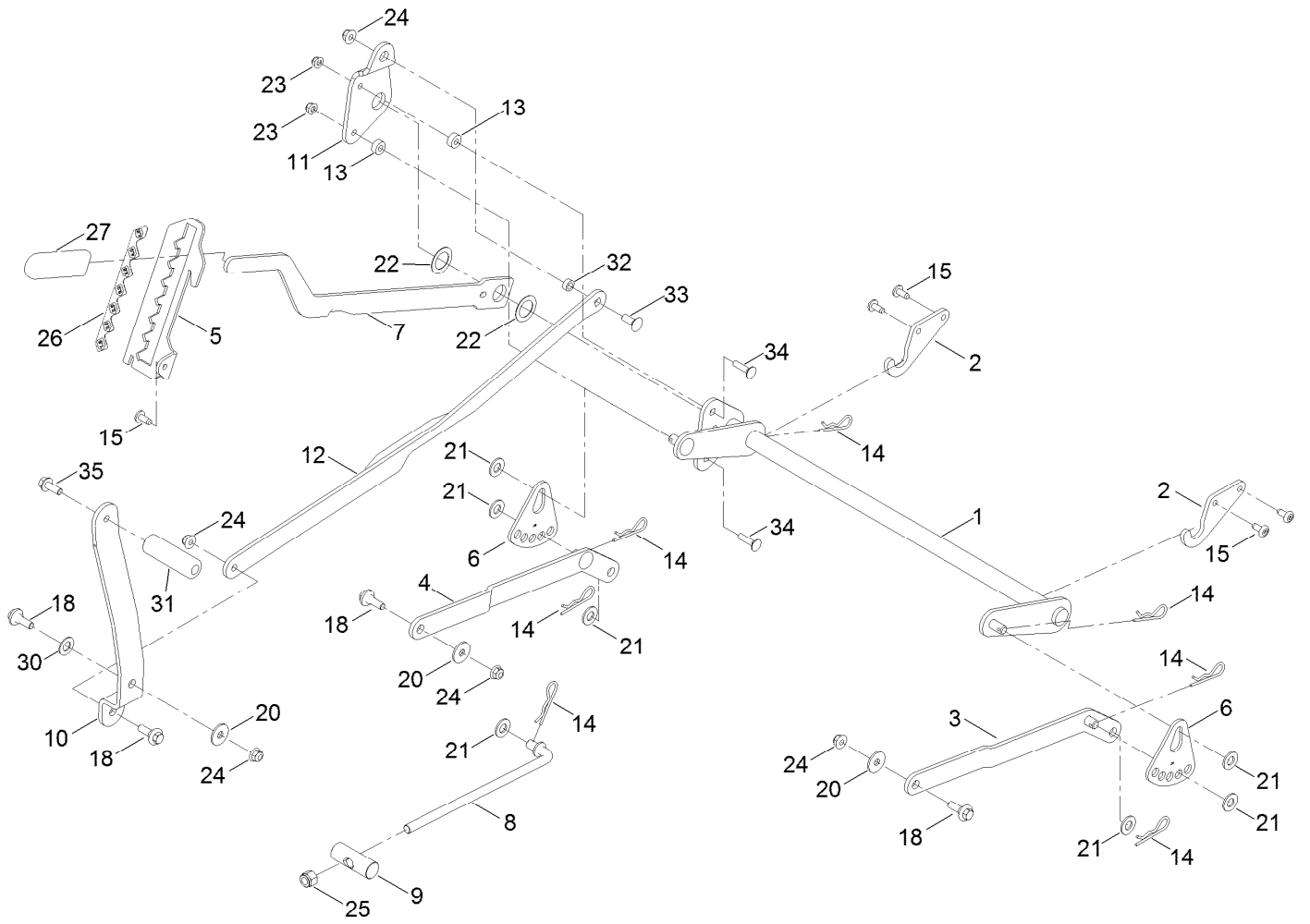
# Frame Assembly



## Frame Assembly (continued)

<i>Ref.</i>	<i>Part Number</i>	<i>Qty.</i>	<i>Description</i>	<i>Ref.</i>	<i>Part Number</i>	<i>Qty.</i>	<i>Description</i>
1	137-9820-01	1	Frame Assembly	18	117-1232-03	1	Bracket-Hitch
3	138-7520-01	1	Plate-Mount, Hydro	19	138-7516	2	Guard-Rail
4	139-2352-01	1	Plate-Mount Hydro, RH	20	139-5890	1	Decal-Timecutter
5	137-7020-01	1	Mount-Hydro, Front (Right)	21	139-2387	1	Decal-Timecutter
6	139-3211-01	1	Mount-Hydro, Front (Left)	22	121-2989	2	Decal-Bypass
7	138-2527-01	1	Brace-Cross, Lower	23	137-4803	2	Bumper-Rubber
8	139-3260-01	1	Bracket-Mount Damper, Lower	24	140-3460	2	Bumper-Rubber
9	138-0867-03	1	Guard-Muffler	26	138-9753	20	Screw
12	138-9820-03	1	Guard-Engine	27	139-2429	4	Screw-HHF
14	138-7596-01	1	Footrest	28	3234-29	14	Screw-HHF
15	140-2097	2	Axle Stub ASM	30	139-2428	4	Screw-HWH
15:2	109-3678	2	Bearing-Ball	31	46-8091	4	Screw-HWH
17	138-7200	2	Cap-Grease	32	139-2430	4	Nut-HF, NI
				33	104-8300	16	Nut-HF, NI

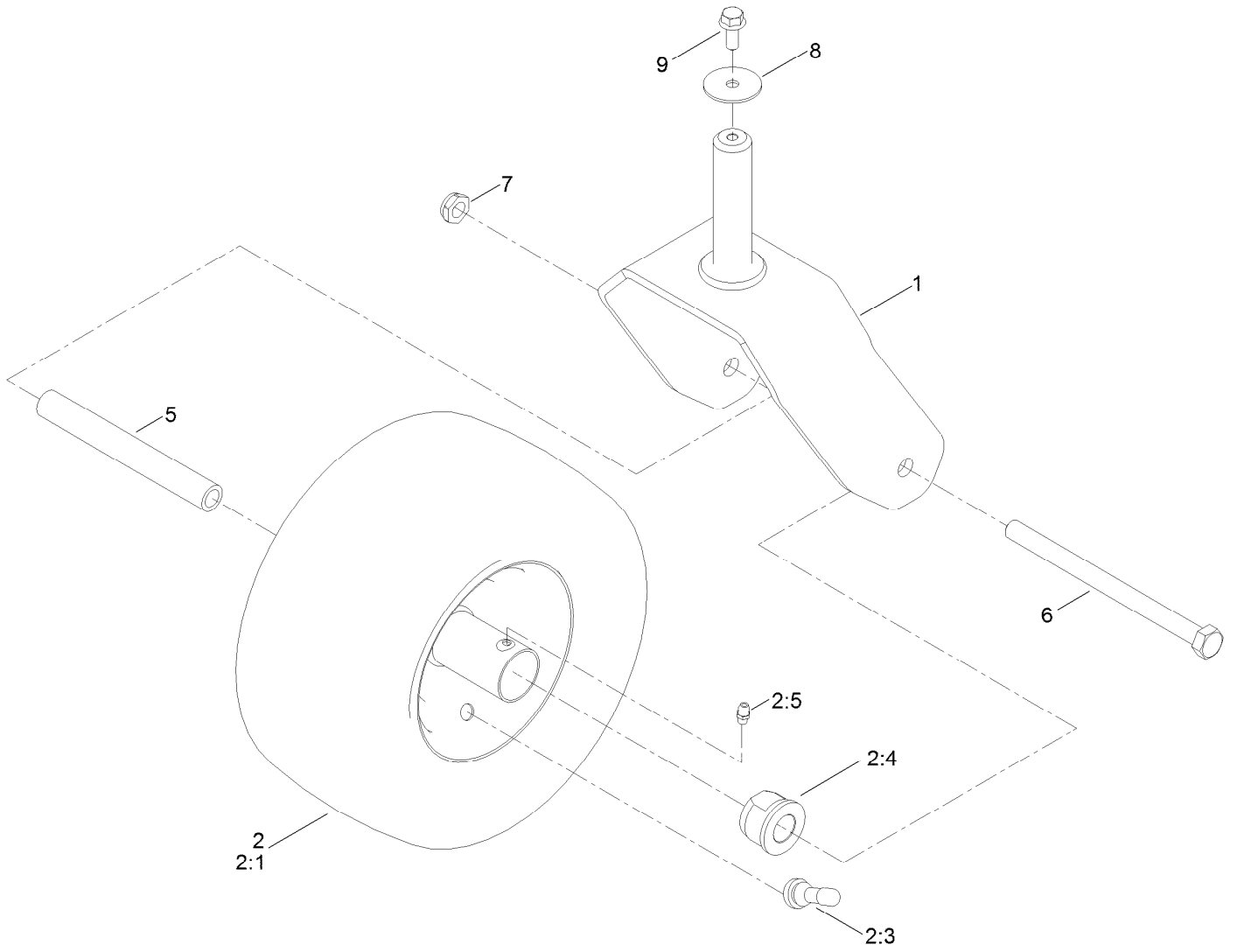
# Deck Lift Assembly



## Deck Lift Assembly (continued)

<i>Ref.</i>	<i>Part Number</i>	<i>Qty.</i>	<i>Description</i>	<i>Ref.</i>	<i>Part Number</i>	<i>Qty.</i>	<i>Description</i>
1	137-7093-03	1	Deck Lift ASM	18	137-9847	4	Screw-Shoulder
2	138-6021	2	Bracket-Pivot, Decklift	20	93-8806	3	Washer-Hardened
3	137-9844	1	LH Arm ASM	21	3256-26	7	Washer-Flat
4	137-9846	1	RH Arm ASM	22	63-2290	2	Washer-Thrust
5	139-2350-01	1	Bracket-HOC	23	104-8300	2	Nut-HF, NI
6	138-6006	2	Plate-HOC Adjustment	24	104-8301	5	Nut-HF, NI
7	137-7087-03	1	Lever-Lift	25	3296-19	1	Nut-Hex
8	138-6050	1	Rod-Mount, Deck	26	139-2392	1	Decal-HOC
9	119-8810	1	Pin-Pivot	27	1-633268	1	Grip-Lever
10	138-2549-03	1	Pedal-Lift	30	120-2273	1	Washer-Nylon
11	137-7086	1	Plate-Footlift	31	139-7452	1	Pedal-Foot Lift
12	140-2746-03	1	Link ASM	32	140-2093	1	Spacer
13	140-3461	2	Spacer	33	139-2590	1	Screw-CARR
14	1-806005	7	Pin-Cotter	34	3230-3	2	Screw-CARR
15	138-9753	5	Screw	35	139-2597	1	Screw-HHF

# Tire and Caster Assembly

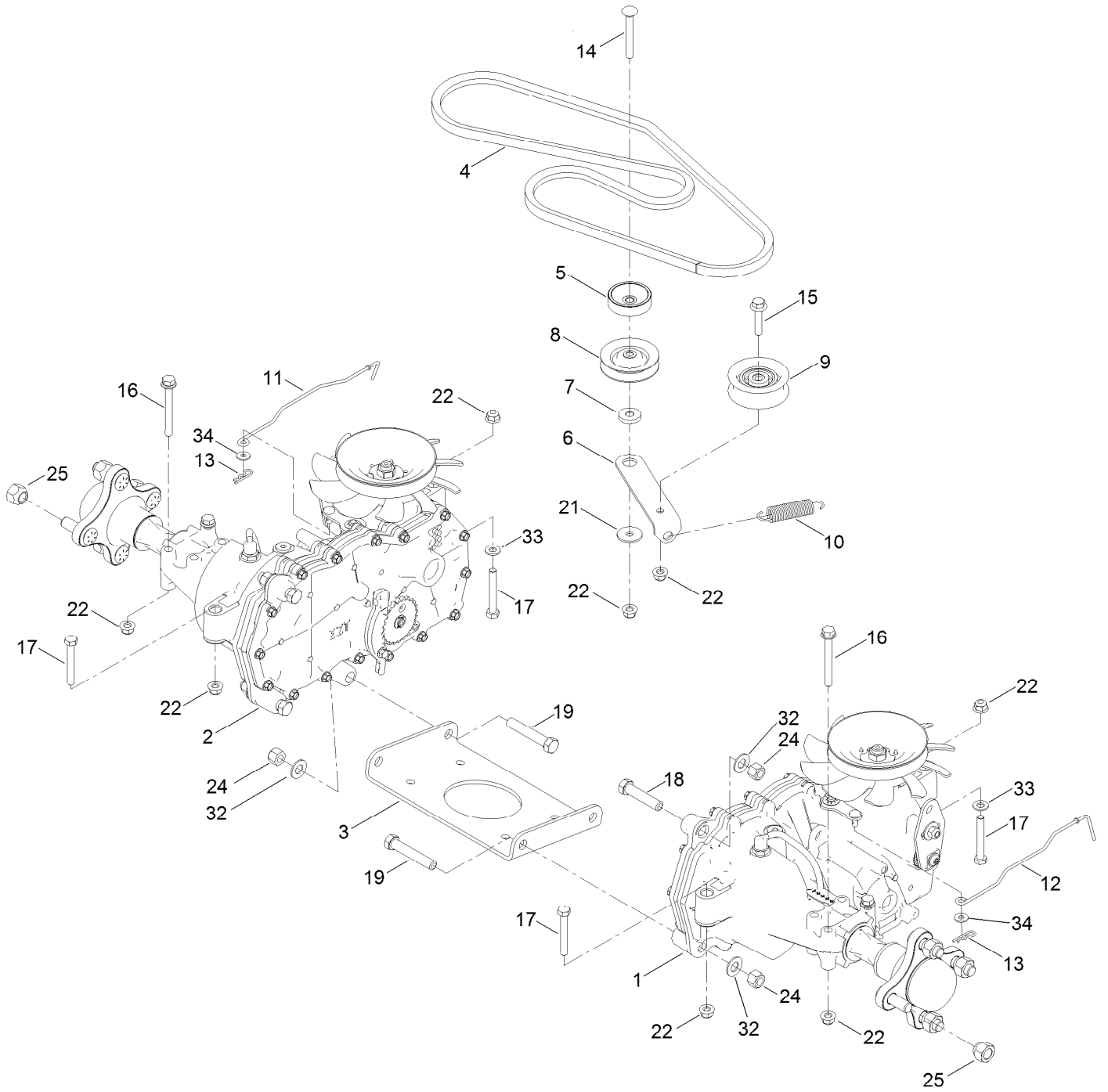




## Tire and Caster Assembly (continued)

<i>Ref.</i>	<i>Part Number</i>	<i>Qty.</i>	<i>Description</i>	<i>Ref.</i>	<i>Part Number</i>	<i>Qty.</i>	<i>Description</i>
1	138-9839-01	2	Fork ASM	5	138-9803	2	Spacer-Spanner
2	139-5843	2	Tire ASM	6	325-37	2	Screw-HH
2:1	138-7553	1	Tire	7	3296-45	2	Nut-Hex
2:3	232-27	1	Stem-Valve	8	3256-68	2	Washer-Flat
2:4	114-1640	2	Bushing-Flange	9	3234-47	2	Screw-HHF
2:5	302-5	1	Fitting-Grease				

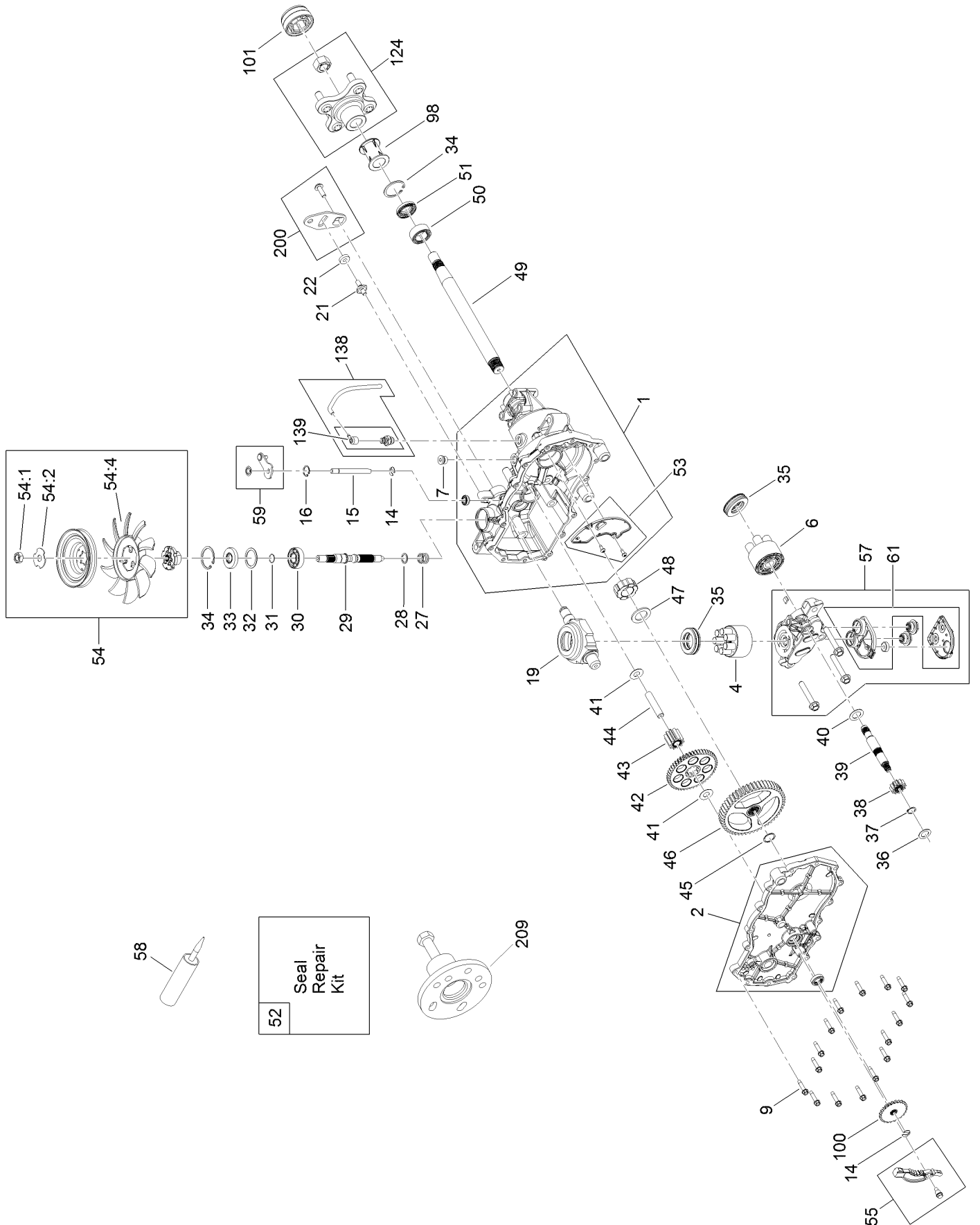
# Traction Drive Assembly



## Traction Drive Assembly (continued)

<i>Ref.</i>	<i>Part Number</i>	<i>Qty.</i>	<i>Description</i>	<i>Ref.</i>	<i>Part Number</i>	<i>Qty.</i>	<i>Description</i>
1	139-7470	1	LH Hydro Transaxle ASM	14	3230-8	1	Screw-CARR
2	139-7471	1	RH Hydro Transaxle ASM	15	115-1794	1	Screw-HHF
3	138-2571-03	1	Crossplate-Hydro	16	138-7590	4	Screw-HHF
4	139-2399	1	V-Belt	17	322-11	4	Screw-HH
5	138-9809	1	Spacer	18	324-8	2	Screw-HH
6	138-7276	1	Arm-Idler	19	324-10	4	Screw-HH
7	138-7277	1	Spacer-Arm, Idler	21	5-4460	1	Washer-Pivot
8	68-0030	1	Idler	22	104-8300	10	Nut-HF, NI
9	138-7597	1	Pulley-Idler, Flat	24	3296-48	6	Nut-Hex
10	137-7040	1	Spring-Return, Pedal	25	242-50	8	Nut-Lug
11	138-7245	1	Rod-Bypass, RH	32	3256-25	6	Washer-Flat
12	138-7243	1	Rod-Bypass, LH	33	3256-23	2	Washer-Plain
13	3290-307	2	Pin-Cotter	34	119-8952	2	Washer

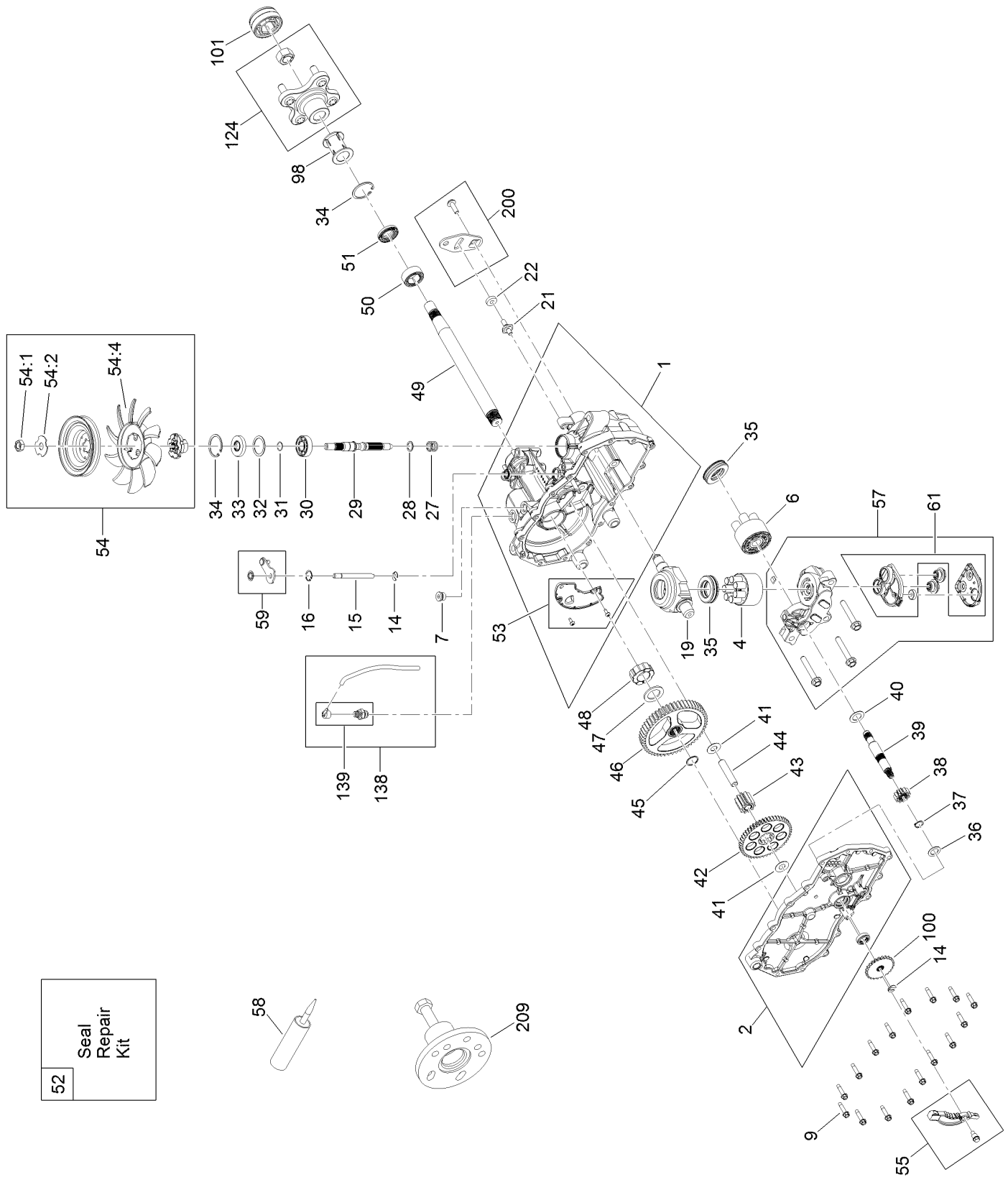
# LH Transaxle Assembly No. 139-7470



## LH Transaxle Assembly No. 139-7470 (continued)

<i>Ref.</i>	<i>Part Number</i>	<i>Qty.</i>	<i>Description</i>	<i>Ref.</i>	<i>Part Number</i>	<i>Qty.</i>	<i>Description</i>
1	106-8695	1	Main Housing ASM	43	104-5318	1	Gear-Jackshaft, 10T
2	106-8696	1	Side ASM	44	104-5329	1	Pin-Jackshaft
4	110-8561	1	Pump Block ASM	45	112-9854	1	Ring-Spiral, Retaining
6	103-2666	1	Cylinder Block Kit	46	112-9855	1	Gear-52T, Bull
7	104-2189	1	Plug-Thread, Straight	47	112-9856	1	Washer
9	117-5359	16	Screw-HHF	48	112-9857	1	Bearing-Sleeve
14	106-8677	2	Ring-Retaining, External	49	120-7104	1	Shaft-Axle
15	106-8678	1	Rod-Bypass	50	112-9859	1	Bushing-Axle
16	106-8679	1	Ring-Retaining, Internal	51	112-9860	1	Seal-Lip
19	104-5304	1	Swashplate-Trunnion	52	106-8686	1	Seal Kit
21	104-2116	1	Stud	53	106-8697	1	Expansion Plate Kit
22	112-9853	1	Puck-Friction	54	135-7349	1	Fan And Pulley Kit
27	94-1936	1	Spring-Block	54:1	116-9714	1	Nut-HJ
28	94-1937	1	Washer-Thrust	54:2	116-9708	1	Washer-Slotted
29	104-5306	1	Shaft-Input	54:4	135-7364	1	Fan 7.0 X 10 Blade
30	104-5311	1	Bearing-Ball	55	106-8688	1	Brake Arm Kit
31	104-5307	1	Ring-Retaining	57	112-9861	1	Center Section Filter Kit
32	104-5308	1	Spacer	58	104-2147	1	Sealant
33	104-5310	1	Seal-Lip	59	120-5549	1	Bypass Kit
34	104-5309	2	Ring-Retaining	61	114-1634	1	Filter Kit
35	94-6922	2	Bearing-Thrust	98	120-7109	1	Tube-Axle
36	104-5339	1	Washer-Flat	100	106-8694	1	Disc-Brake, Cog
37	104-5340	1	Ring-Retaining	101	115-5057	1	Cover-Nut, Axle
38	132-0912	1	Gear-12T	124	109-5939	1	Hub Kit
39	106-8683	1	Shaft-Motor	138	112-9866	1	Breather Kit
40	104-5360	1	Washer	139	114-1635	1	Breather ASM
41	94-1933	2	Washer	200	117-5362	1	Control Arm Kit
42	132-0911	1	Gear-49T	209	114-8467	1	Puller-Hub, 4 Bolt

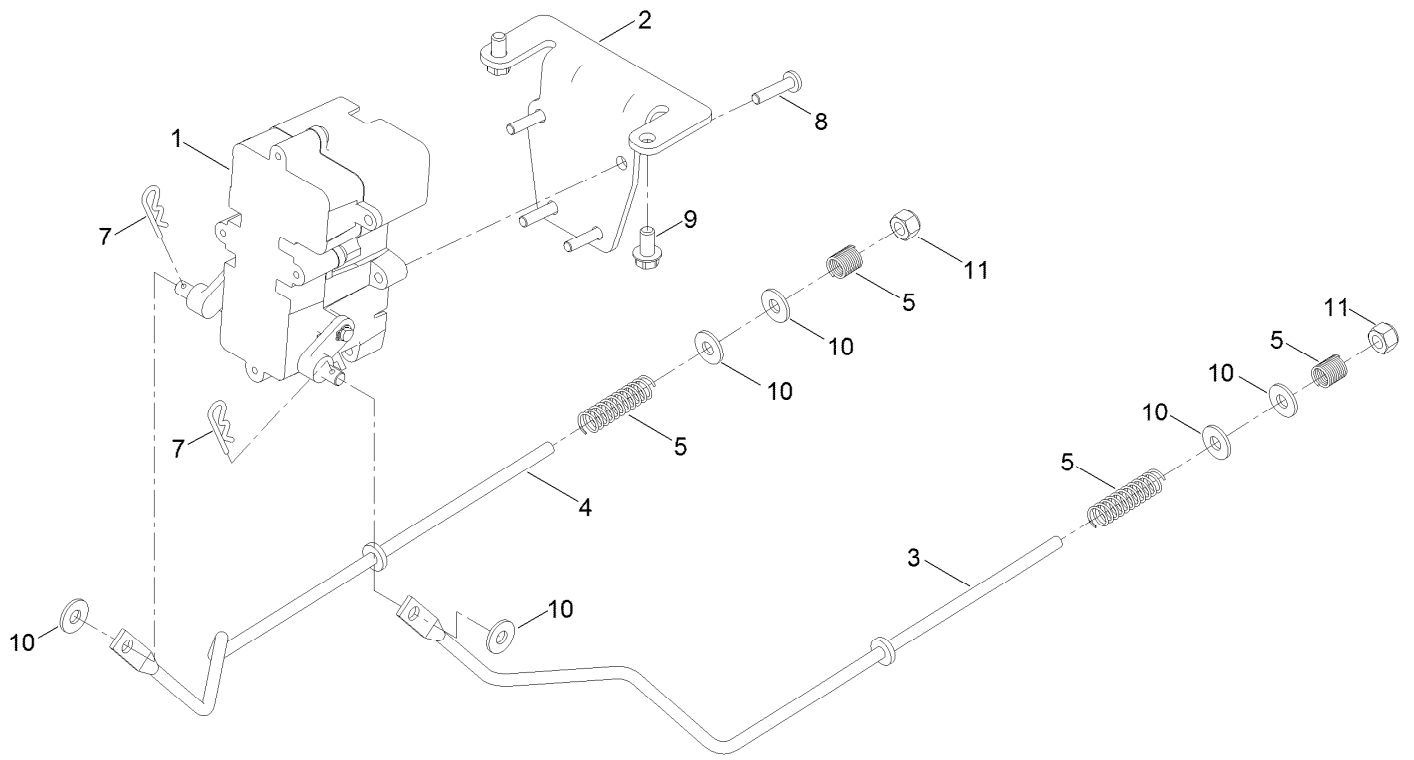
# RH Transaxle Assembly No. 139-7471



## RH Transaxle Assembly No. 139-7471 (continued)

<i>Ref.</i>	<i>Part Number</i>	<i>Qty.</i>	<i>Description</i>	<i>Ref.</i>	<i>Part Number</i>	<i>Qty.</i>	<i>Description</i>
1	106-8674	1	Main Housing ASM	43	104-5318	1	Gear-Jackshaft, 10T
2	106-8675	1	Side ASM	44	104-5329	1	Pin-Jackshaft
4	110-8561	1	Pump Block ASM	45	112-9854	1	Ring-Spiral, Retaining
6	103-2666	1	Cylinder Block Kit	46	112-9855	1	Gear-52T, Bull
7	104-2189	1	Plug-Thread, Straight	47	112-9856	1	Washer
9	117-5359	16	Screw-HHF	48	112-9857	1	Bearing-Sleeve
14	106-8677	2	Ring-Retaining, External	49	120-7104	1	Shaft-Axle
15	106-8678	1	Rod-Bypass	50	112-9859	1	Bushing-Axle
16	106-8679	1	Ring-Retaining, Internal	51	112-9860	1	Seal-Lip
19	104-5304	1	Swashplate-Trunnion	52	106-8686	1	Seal Kit
21	104-2116	1	Stud	53	106-8687	1	Expansion Plate Kit
22	112-9853	1	Puck-Friction	54	135-7349	1	Fan And Pulley Kit
27	94-1936	1	Spring-Block	54:1	116-9714	1	Nut-HJ
28	94-1937	1	Washer-Thrust	54:2	116-9708	1	Washer-Slotted
29	104-5306	1	Shaft-Input	54:4	135-7364	1	Fan 7.0 X 10 Blade
30	104-5311	1	Bearing-Ball	55	106-8688	1	Brake Arm Kit
31	104-5307	1	Ring-Retaining	57	112-9862	1	Center Section Filter Kit
32	104-5308	1	Spacer	58	104-2147	1	Sealant
33	104-5310	1	Seal-Lip	59	107-2489	1	Bypass Arm Kit
34	104-5309	2	Ring-Retaining	61	114-1634	1	Filter Kit
35	94-6922	2	Bearing-Thrust	98	120-7109	1	Tube-Axle
36	104-5339	1	Washer-Flat	100	106-8694	1	Disc-Brake, Cog
37	104-5340	1	Ring-Retaining	101	115-5057	1	Cover-Nut, Axle
38	132-0912	1	Gear-12T	124	109-5939	1	Hub Kit
39	106-8683	1	Shaft-Motor	138	112-9866	1	Breather Kit
40	104-5360	1	Washer	139	114-1635	1	Breather ASM
41	94-1933	2	Washer	200	117-5362	1	Control Arm Kit
42	132-0911	1	Gear-49T	209	114-8467	1	Puller-Hub, 4 Bolt

# Brake Assembly

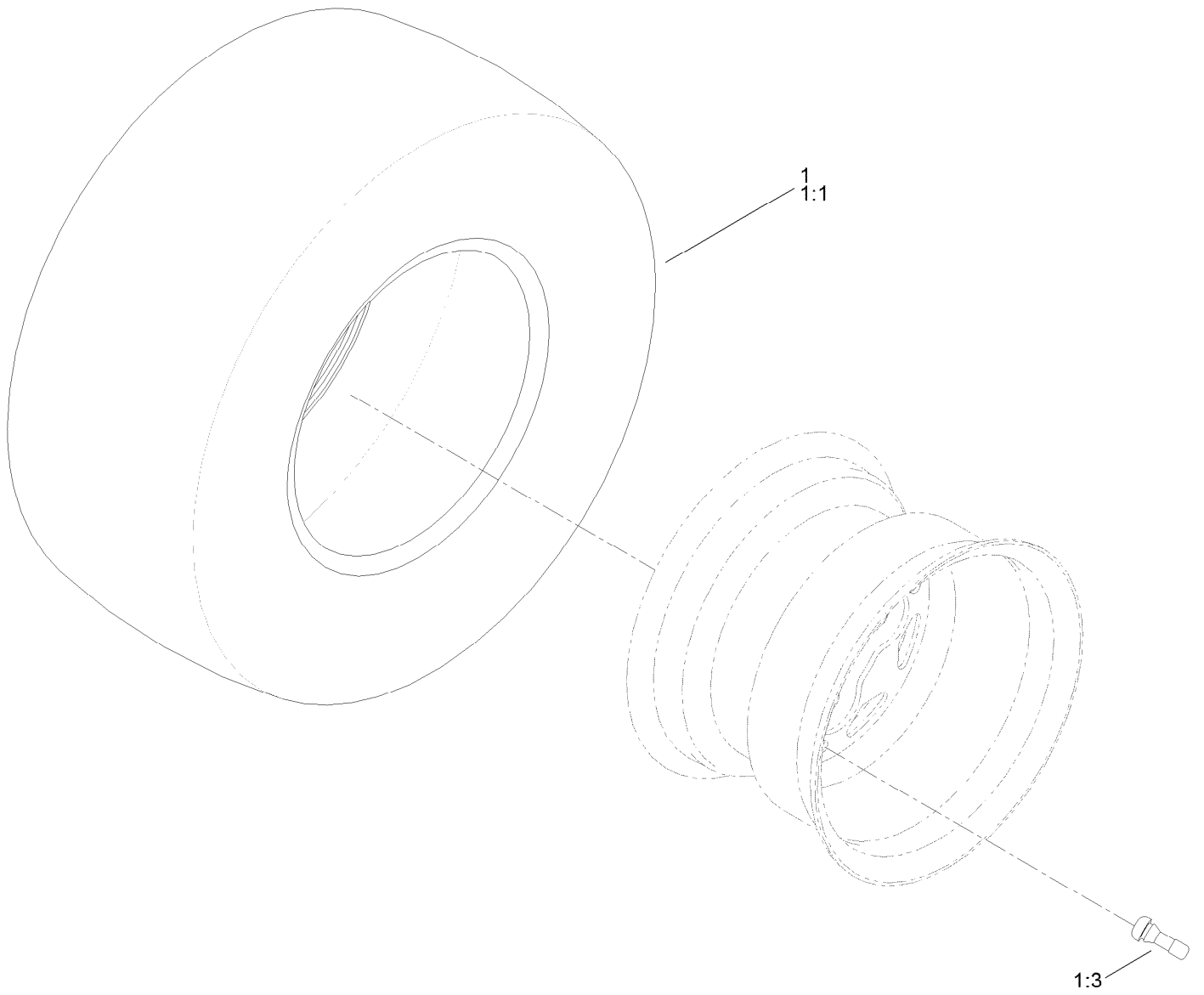




## Brake Assembly (continued)

<i>Ref.</i>	<i>Part Number</i>	<i>Qty.</i>	<i>Description</i>	<i>Ref.</i>	<i>Part Number</i>	<i>Qty.</i>	<i>Description</i>
1	138-2514	1	Brake Box ASM	7	3290-307	2	Pin-Cotter
2	133-9284-03	1	Bracket-Mount, Brake	8	32144-36	4	Screw-PPH
3	138-2591	1	Rod-Brake, LH	9	32144-4	2	Screw-HWH
4	138-2592	1	Rod-Brake, RH	10	119-8952	6	Washer
5	117-1169	4	Spring-Compression	11	3296-42	2	Nut-Lock, NI

# Rear Tire Assembly

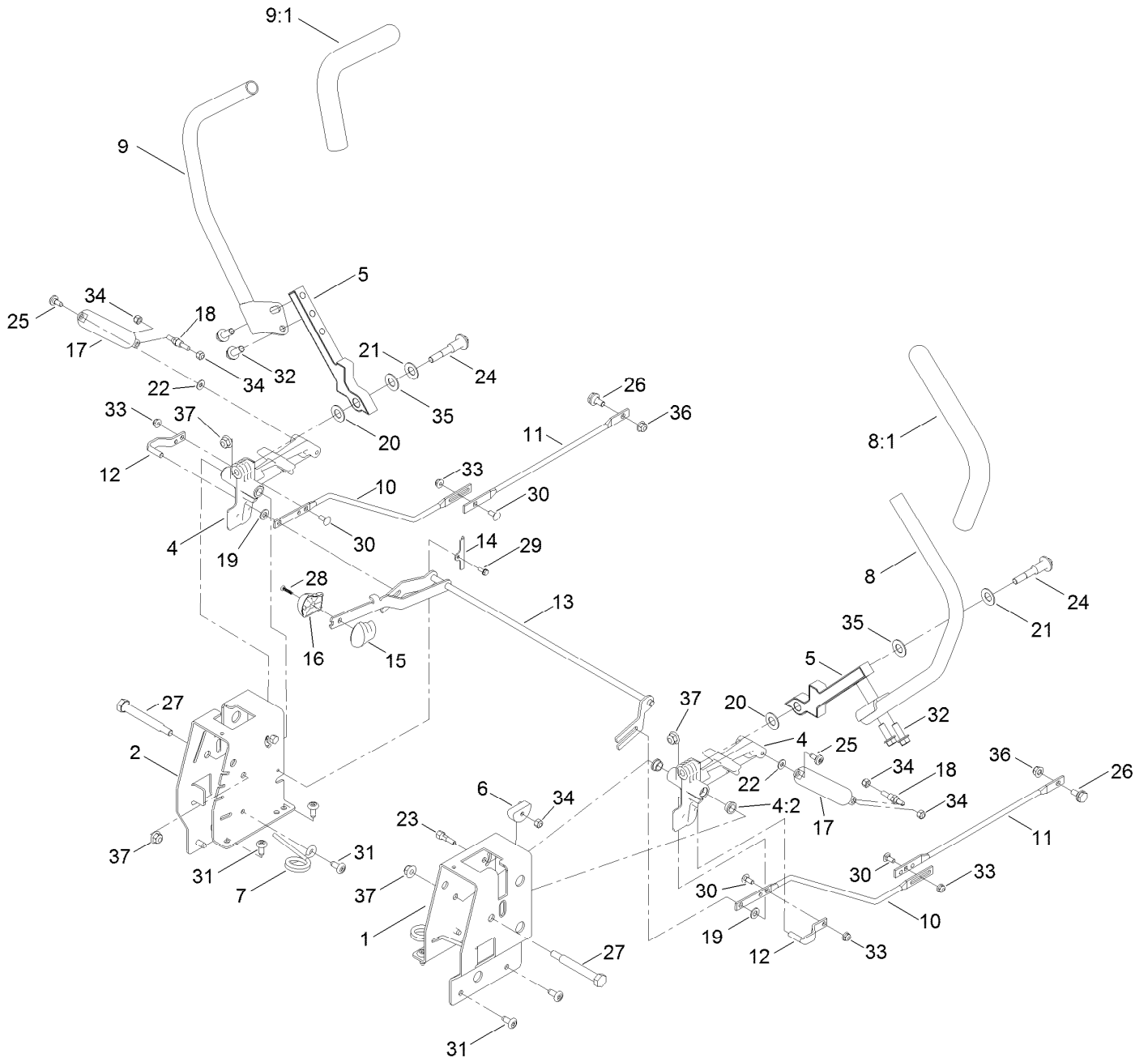


## Rear Tire Assembly (continued)

<i>Ref.</i>	<i>Part Number</i>	<i>Qty.</i>	<i>Description</i>	<i>Ref.</i>	<i>Part Number</i>	<i>Qty.</i>	<i>Description</i>
1	139-5849	2	Tire ASM	1:3	232-27	1	Stem-Valve
1:1	133-9293	1	Tire	1:99	105-4070	1	Tube-Inner ●

● Not illustrated

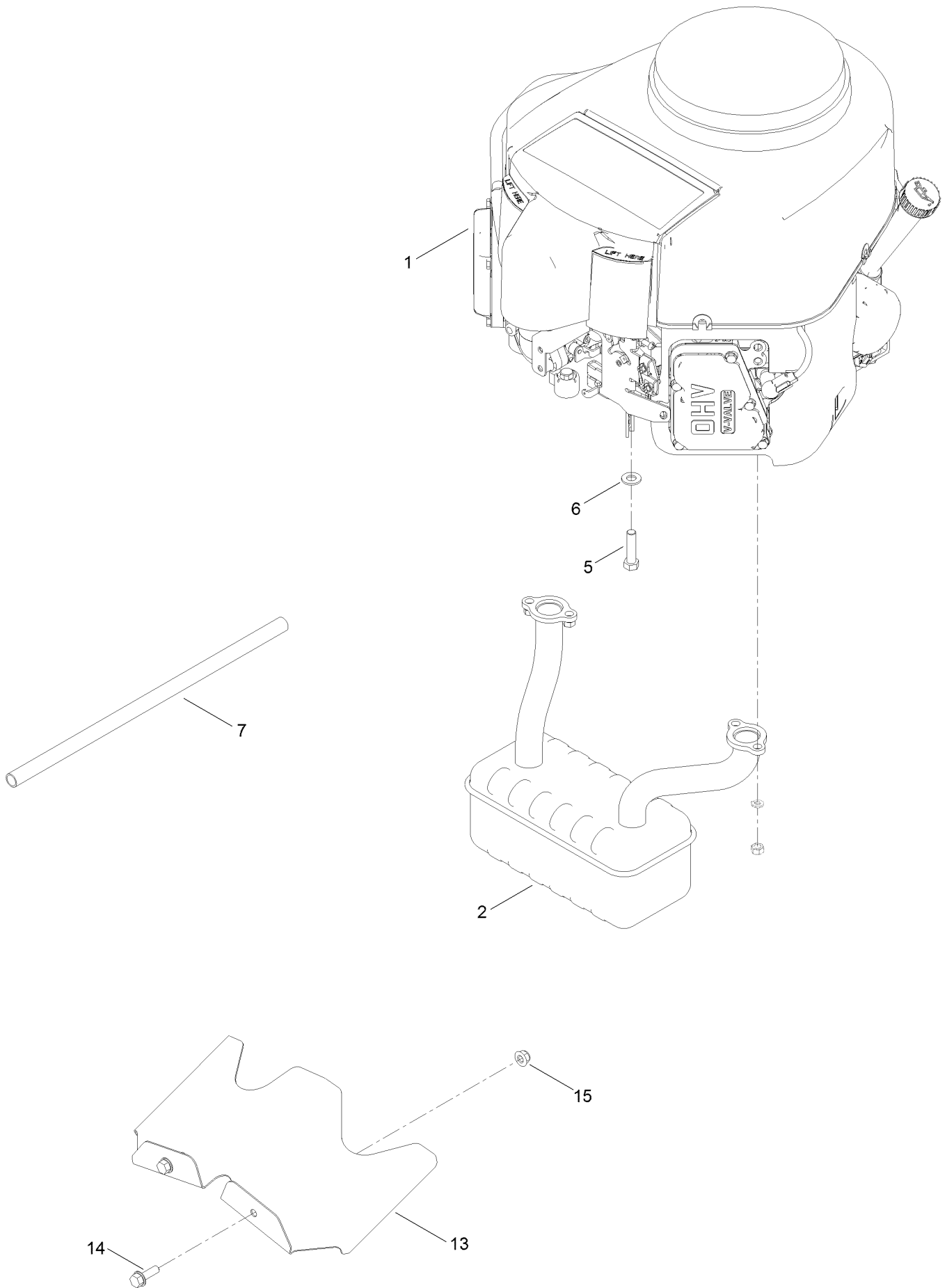
# Motion Control Assembly



## Motion Control Assembly (continued)

<i>Ref.</i>	<i>Part Number</i>	<i>Qty.</i>	<i>Description</i>	<i>Ref.</i>	<i>Part Number</i>	<i>Qty.</i>	<i>Description</i>
1	138-7598-03	1	Plate-Control Box, LH	19	93-6079	2	Spacer-Nylon
2	138-7599-03	1	Plate-Control Box, RH	20	120-2273	2	Washer-Nylon
4	119-3470	2	Actuator Arm ASM	21	119-8925	2	Washer-Belleville
4:2	256-156	2	Bushing-Flange	22	119-8952	2	Washer
5	133-9299-05	2	Arm-Control	23	139-5811	2	Bolt-Pivot, Eccentric
6	139-5803	2	Eccentric	24	117-1198	2	Bolt-Pivot
7	138-7539	2	Spring-Torsion	25	120-7950	2	Screw
8	133-7055	1	Handle-Control, LH	26	37-8771	2	Bolt-Shoulder, HF
8:1	121-0726	1	Grip	27	115-5099	2	Bolt-Pivot
9	133-7057	1	Handle-Control, RH	28	94-4496	1	Screw-PPH
9:1	121-0726	1	Grip	29	32144-1	2	Screw-Taptite
10	138-2580	2	Rod-Hydro, Front	30	3229-11	4	Screw-CARR
11	138-2579	2	Rod-Hydro, Rear	31	138-9753	10	Screw
12	121-1753	2	Pin-Rod, Hydro	32	3234-42	4	Screw-HHF
13	138-9750	1	Speed Control ASM	33	104-7201	4	Nut-HF
14	138-7541	2	Plate-Retainer	34	3296-42	6	Nut-Lock, NI
15	132-9368	1	Knob-RH	35	117-1240	2	Washer
16	132-9369	1	Knob-LH	36	104-8300	2	Nut-HF, NI
17	132-6853	2	Damper-Non Cavitating	37	104-8301	4	Nut-HF, NI
18	138-7215	2	Stud-Damper				

# Engine and Muffler Assembly



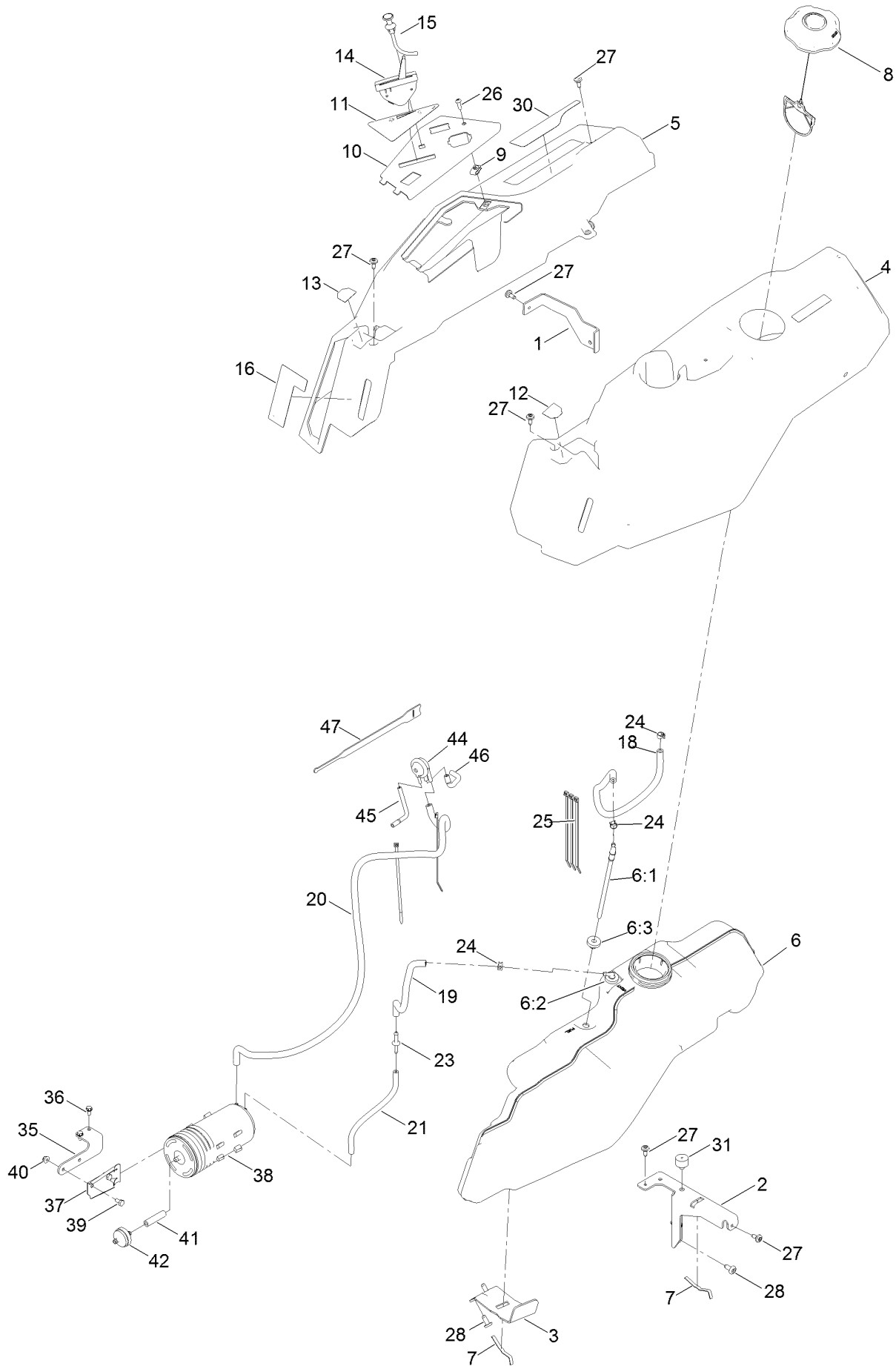
## Engine and Muffler Assembly (continued)

<i>Ref.</i>	<i>Part Number</i>	<i>Qty.</i>	<i>Description</i>	<i>Ref.</i>	<i>Part Number</i>	<i>Qty.</i>	<i>Description</i>
1		1	Engine-Kawasaki, Fr691V-As26-R ●■	7	106-7022	1	Tube-Drain, Oil
2	139-5867	1	Muffler	13	140-5126-03	1	Shield-Heat
5	323-50	4	Bolt-HH	14	3234-29	2	Screw-HHF
6	3256-24	3	Washer-Flat	15	104-8300	2	Nut-HF, NI

● Not serviced separately

■ Obtain parts from [www.kawpower.com](http://www.kawpower.com)

# Body Styling and Fuel Pod Assembly

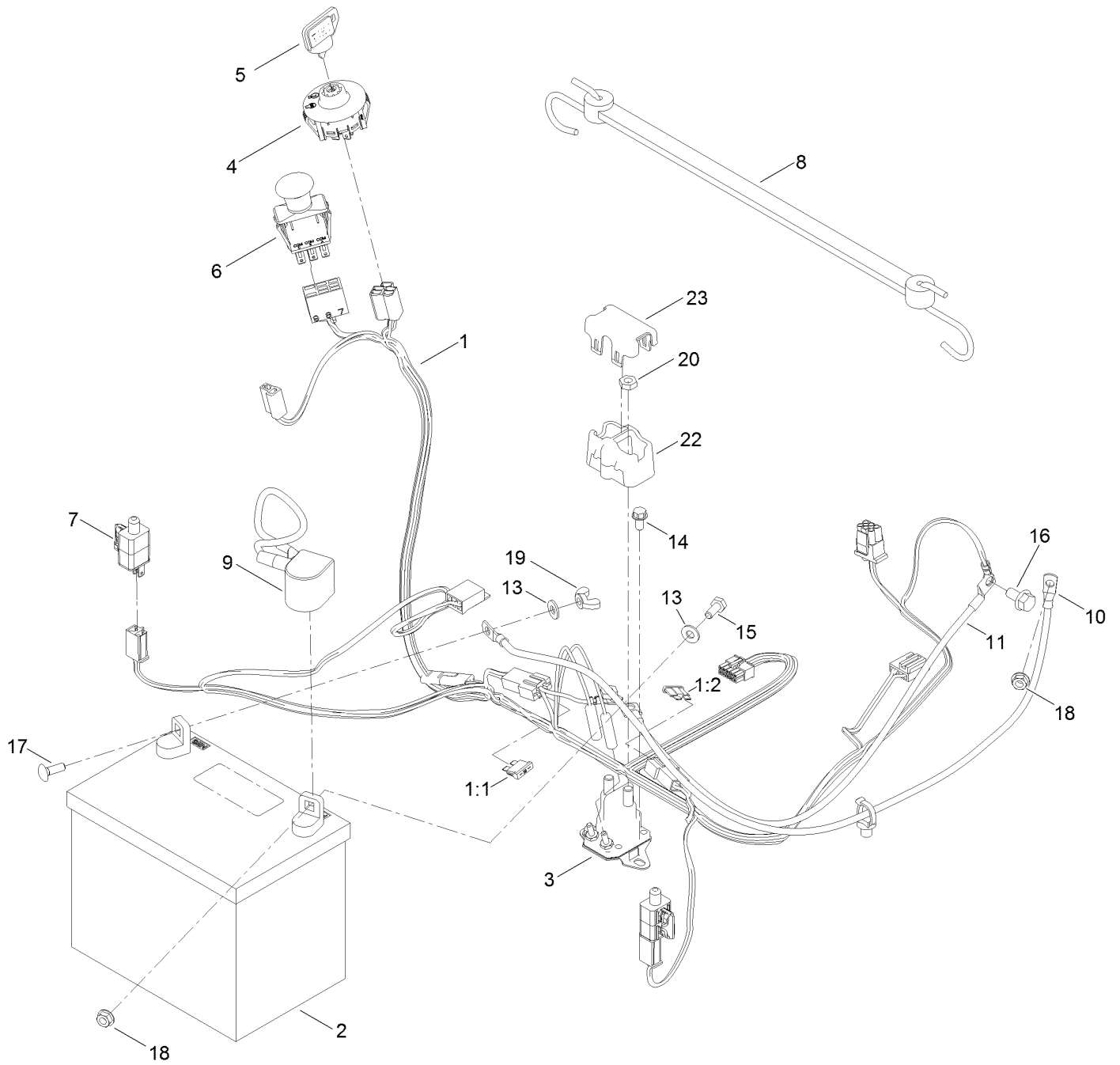




## Body Styling and Fuel Pod Assembly (continued)

<i>Ref.</i>	<i>Part Number</i>	<i>Qty.</i>	<i>Description</i>	<i>Ref.</i>	<i>Part Number</i>	<i>Qty.</i>	<i>Description</i>
1	138-9810-03	1	Bracket-Pod	21	138-0868	1	Hose-Fuel
2	138-6071-03	1	Support-Pod, LH	23	117-5399	1	Adaptor-Orifice
3	139-3271-03	1	Support-Tank, Fuel	24	2412-98	3	Clamp-Hose
4	138-6074	1	Pod-LH	25	614249	5	Tie-Cable
5	139-2404	1	Pod-RH, Myride	26	3258-166	1	Screw-PRH
6	138-6072	1	Fuel Tank ASM	27	120-7950	6	Screw
6:1	139-1091	1	Connector-Elbow, 90 DEG	28	138-9753	5	Screw
6:2	117-7400	1	Fitting-Plastic	30	139-2397	1	Decal-Adjustment
6:3	46-6560	2	Bushing	31	120-7893	1	Bumper-Grommet
7	609830	2	Spring	35	139-5853-03	1	Bracket-Canister, Carbon
8	137-4119	1	Cap-Fuel, Ratcheting	36	32144-4	2	Screw-HWH
9	107069	1	Clip	37	114-0292	1	Bracket-Canister, Carbon
10	139-2380-03	1	Panel - Control	38	117-1221	1	Canister-Carbon, 800Cc
11	139-2391	1	Decal-Panel, Control	39	321-2	2	Screw-HH
12	139-2395	1	Decal-Control Lever, LH	40	104-7201	2	Nut-HF
13	139-2394	1	Decal-Control Lever, RH	41	99-9415	1	Hose-Fuel
14	139-2403	1	Cable-Throttle	42	115-7854	1	Filter-Fuel, Inline
15	139-2402	1	Cable-Choke	44	116-2232	1	Valve-Control, Vacuum
16	139-2388	1	Decal-Smart Speed	45	119-8501	1	Hose-Vent, Formed
18	109-0299	1	Hose-Fuel	46	119-8502	1	Hose-Vent, Formed
19	110-3447	1	Hose-Fuel	47	116-2469	1	Strap-Velcro, Cable Tie
20	110-7502	1	Hose-Fuel				

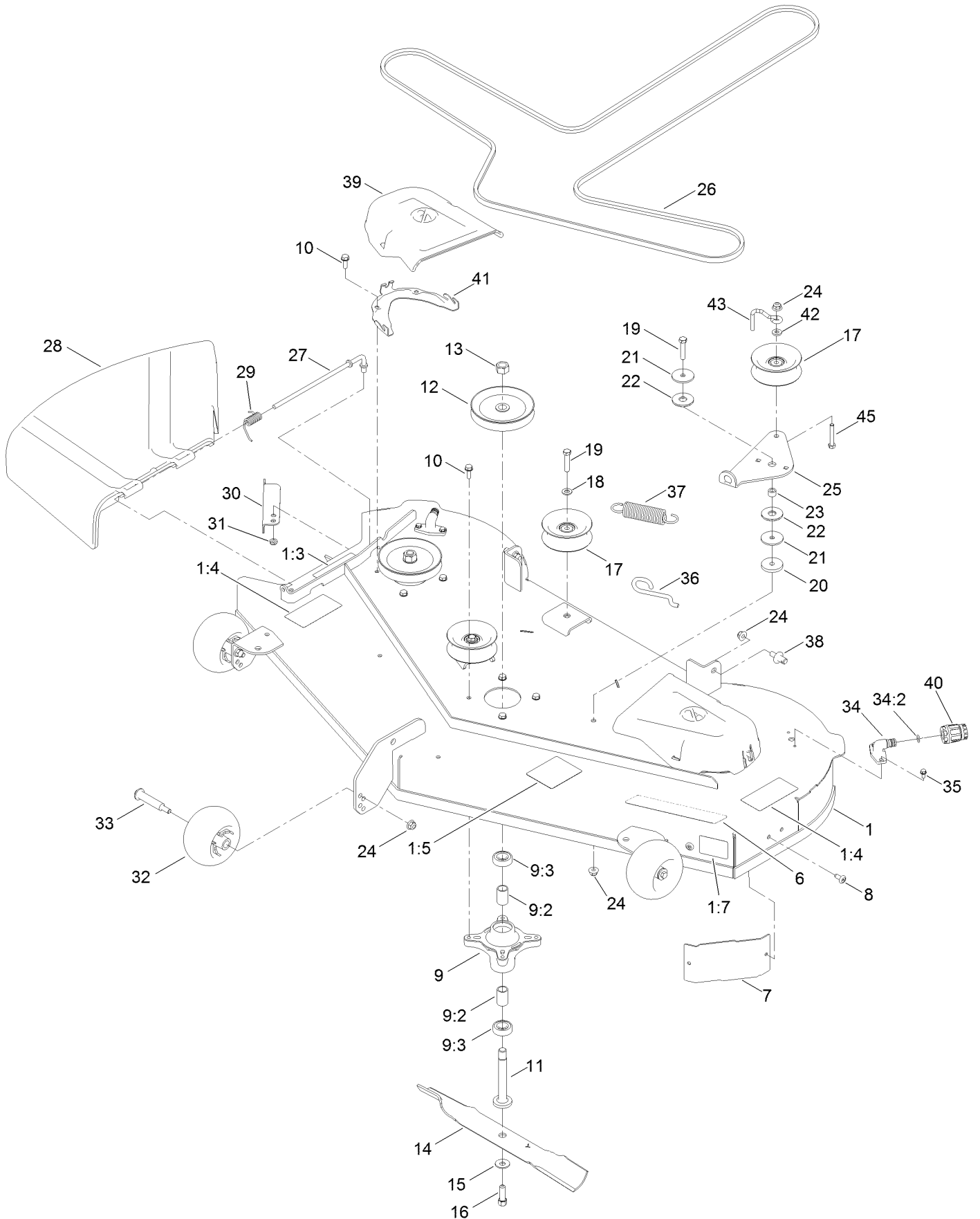
# Electrical Assembly



## Electrical Assembly (continued)

<i>Ref.</i>	<i>Part Number</i>	<i>Qty.</i>	<i>Description</i>	<i>Ref.</i>	<i>Part Number</i>	<i>Qty.</i>	<i>Description</i>
1	138-2521	1	Harness-Wire	11	110-6793	1	Cable-Battery, Black
1:1	109355	1	Fuse-Blade, 15 Amp	13	3256-22	2	Washer-Flat
1:2	109102	1	Fuse-Blade, 25 Amp	14	32144-4	2	Screw-HWH
2	105-1692	1	Battery	15	321-3	1	Screw-HH
3	117-1197	1	Solenoid	16	33104-016	1	Screw-HHF
4	137-4100	1	Switch-Ignition	17	3229-1	1	Bolt-CARR
5	63-8360	1	Key-Ignition	18	32128-33	2	Nut-HF
6	103-5221	1	Switch-PTO	19	32103-22	1	Nut-Wing
7	110-6765	2	Switch	20	3220-2	2	Nut-Jam
8	139-2381	1	Strap-Rubber	22	140-2080	1	Cover-Solenoid
9	140-2713	1	Cable-Battery, Pos	23	140-2081	1	Cap-Solenoid
10	139-2431	1	Cable-Battery, Red (8 Gauge)				

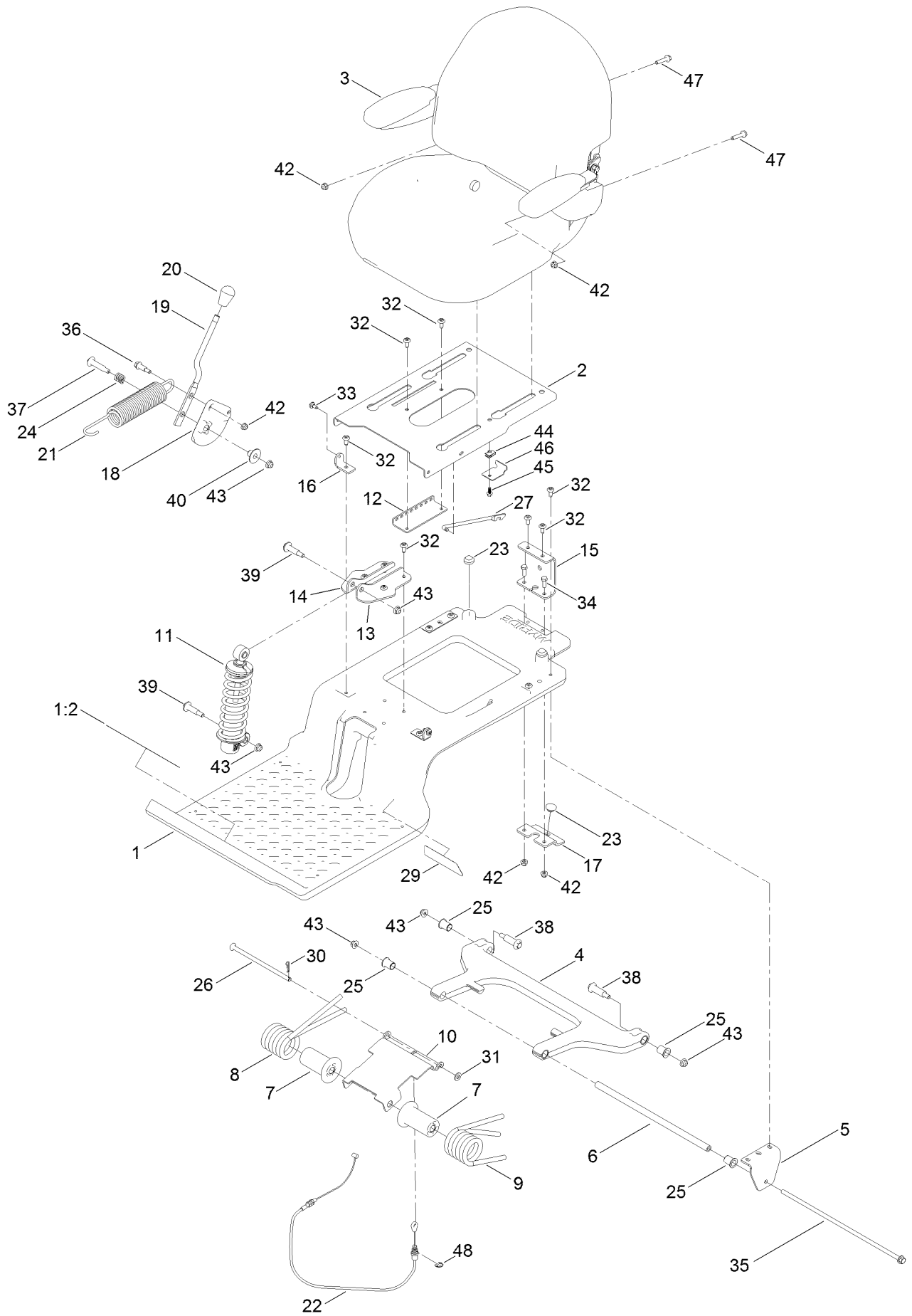
# 54 Inch Deck Assembly



## 54 Inch Deck Assembly (continued)

<i>Ref.</i>	<i>Part Number</i>	<i>Qty.</i>	<i>Description</i>	<i>Ref.</i>	<i>Part Number</i>	<i>Qty.</i>	<i>Description</i>
1	138-9766	1	54In Deck And Decal ASM	23	115-4986	1	Spacer
1:3	93-7009	1	Decal-Danger	24	104-8301	7	Nut-HF, NI
1:4	132-0872	2	Decal-Danger, Deck	25	138-7262	1	Arm-Idler
1:5	99-3943	1	Decal-Routing, Belt	26	130-0843	1	Belt-V
1:7	112-9840	1	Decal-Scalp, Anti	27	137-2019	1	Rod-Pivot
6	140-2124	1	Decal-Deck	28	138-7502	1	Deflector-Discharge
7	139-2448-03	1	Baffle-Corner	29	138-7268	1	Spring-Torsion
8	138-9753	2	Screw	30	138-9800-03	1	Baffle-Cutoff
9	139-3214	3	Spindle ASM	31	3296-59	1	Nut-Lock, NI
9:2	120-7935	2	Spacer	32	1-603299	3	Roller-Scalp, Anti
9:3	138-9770	2	Bearing-Ball	33	112-3977	3	Bolt-Shoulder
10	32144-41	12	Screw-Taptite	34	133-9289	2	Fitting-Washout
11	117-7268	3	Shaft-Spindle	34:2	133-9290	1	O-Ring
12	138-7261	3	Pulley ASM	35	32144-4	4	Screw-HWH
13	3219-6	3	Nut-Hex	36	138-7266	1	Spring-Return, Hook
14	115-2454-03	3	Blade-Hi Lift	37	138-7264	1	Spring-Extension
15	3290-465	3	Washer-Belleville	38	139-5871	2	Pin-Deck
16	26-0671	3	Screw-HH	39	139-3293	2	Cover-Belt
17	132-9420	3	Pulley-Idler, Flat	40	95-3270	1	Connector-Hose
18	3256-24	2	Washer-Flat	41	139-3272-03	2	Bracket-Cover, Belt
19	323-9	3	Screw-HH	42	138-7207	1	Spacer-Hub, Blower
20	110-9981	1	Washer-Plain	43	138-7270	1	Guide-Belt, Idler
21	63-7400	2	Washer-Rebound	45	323-11	1	Screw-HH
22	114-0463	2	Washer-Friction, Composite				

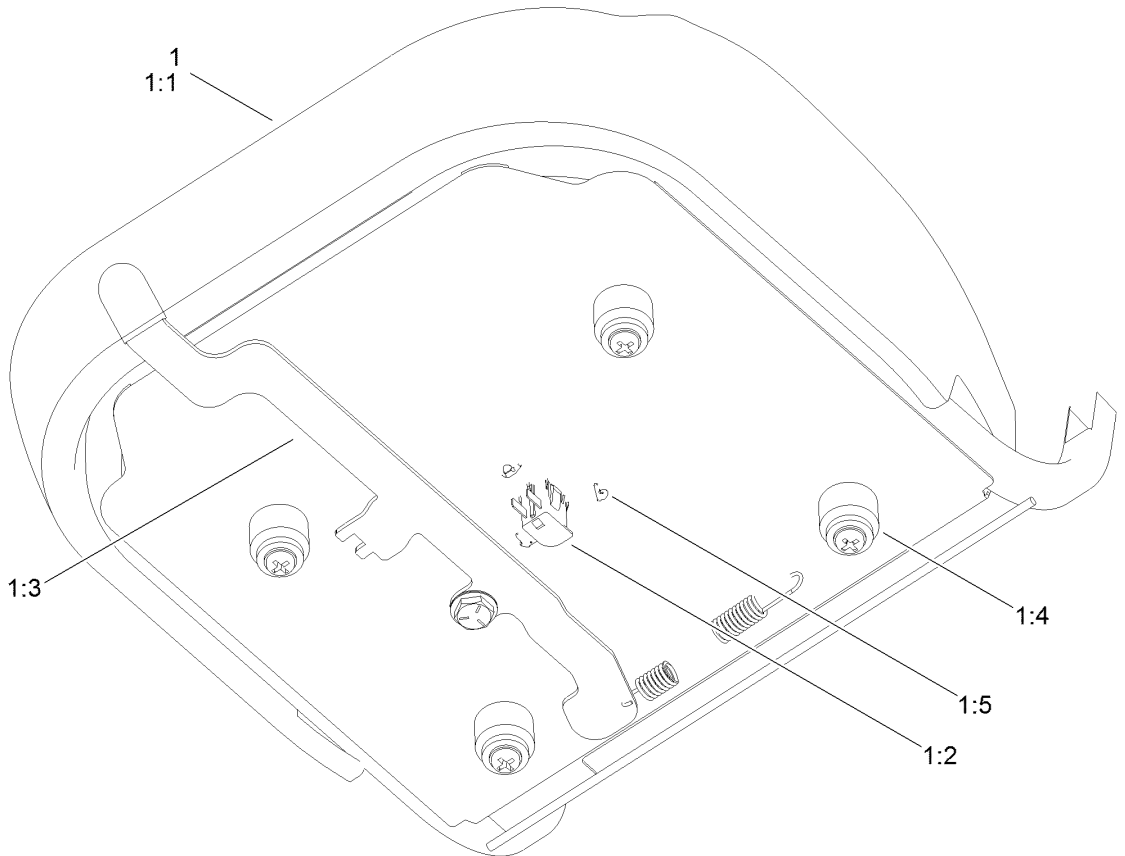
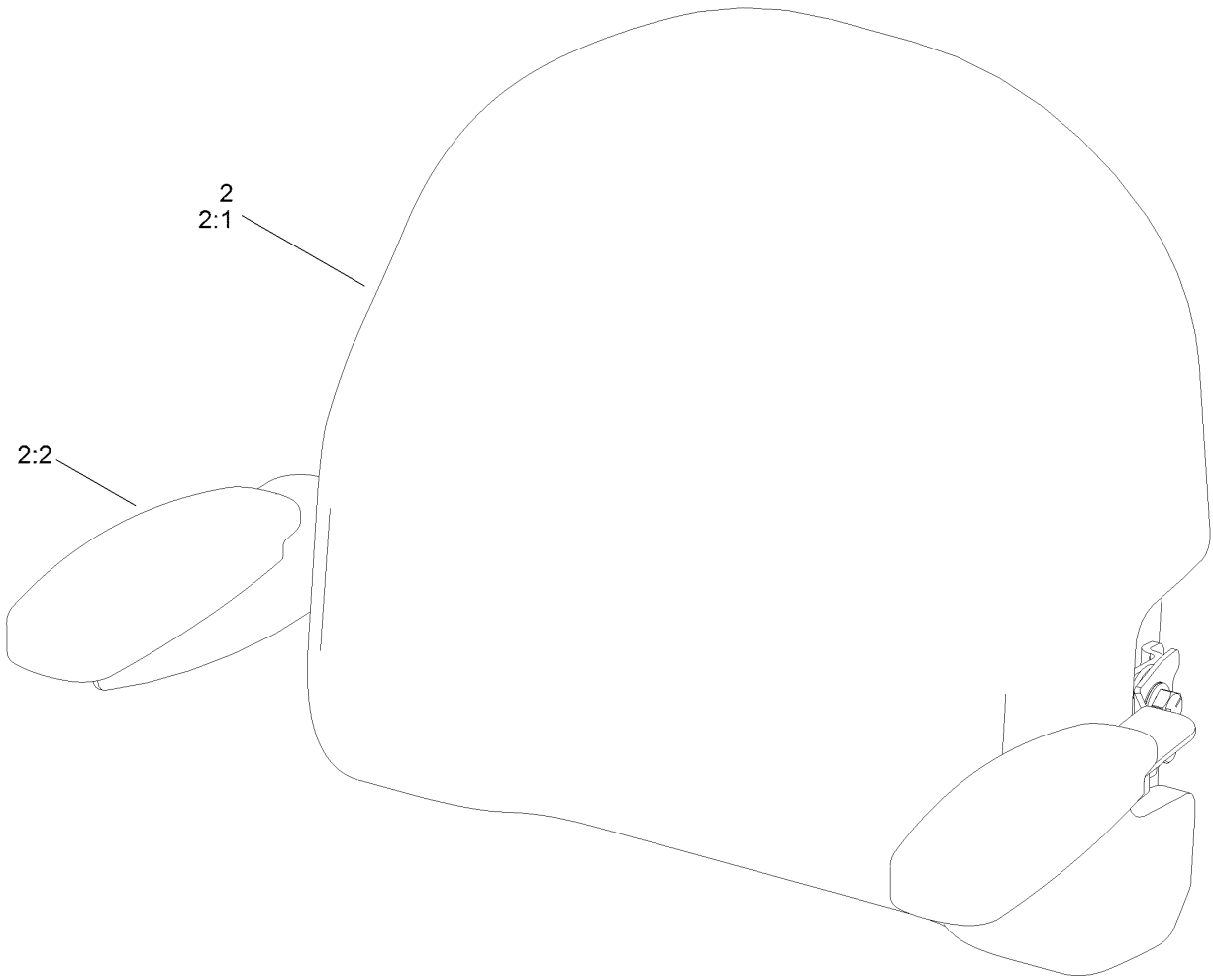
# Seat Pan Assembly



## Seat Pan Assembly (continued)

<i>Ref.</i>	<i>Part Number</i>	<i>Qty.</i>	<i>Description</i>	<i>Ref.</i>	<i>Part Number</i>	<i>Qty.</i>	<i>Description</i>
1	140-5046	1	Subframe ASM	23	135-0505	3	Bumper-Seat
1:2	132-0869	1	Decal-Danger	24	139-5858	1	Spring-Compression
2	138-7540-03	1	Pan-Seat	25	138-2573	4	Bushing-Flange
3	140-8303	1	Seat ASM	26	138-9813	1	Rod-Adjustment
4	138-2563	1	Arm, Swing	27	138-2596	1	Rod-Prop, Seat
5	138-7517	2	Bracket-Mount, Swing Arm	29	140-0357	1	Decal-Myride
6	138-7549	1	Tube-Spacer	30	1-806003	1	Pin-Cotter
7	138-9776	2	Retainer-Spring	31	3256-24	1	Washer-Flat
8	137-7018	1	Spring-Torsion, RH	32	138-9753	14	Screw
9	137-1983	1	Spring-Torsion, LH	33	120-7950	2	Screw
10	138-7566-03	1	Plate-Adjuster	34	322-4	2	Screw-HH
11	139-2427	1	Shock/Spring ASM	35	138-7548	1	Screw-HHF
12	131-4008-03	1	Bracket-Latch, Seat	36	130-2344	1	Bolt-Shoulder
13	133-9318-03	1	Bracket-Shock Mount, Upper (LH)	37	92-1057	1	Bolt-Shoulder
14	133-9319-03	1	Bracket-Shock Mount, Upper (RH)	38	138-2547	2	Bolt-Shoulder
15	138-9788	1	Bracket-Cable	39	136-7198	2	Bolt-Shoulder
16	138-7522	2	Bracket-Seat	40	139-5800	1	Bushing - Flange
17	139-2361-03	1	Bracket Lower	42	104-8300	5	Nut-HF, NI
18	138-9814	1	Pulley - Cam	43	119-4042	6	Nut-HF, NI
19	138-9822	1	Lever - Adjustment	44	107069	1	Clip
20	140-5176	1	Knob-Mr	45	99-6810	1	Screw-HHF
21	138-9848	1	Spring-Extension	46	138-7214	1	Bracket-Stop, Seat
22	138-9812	1	Cable-Adjustment, Myride	47	140-5024	2	Screw-HHF
				48	32120-47	1	Ring-Retaining, External

# Seat Assembly No. 140-8303

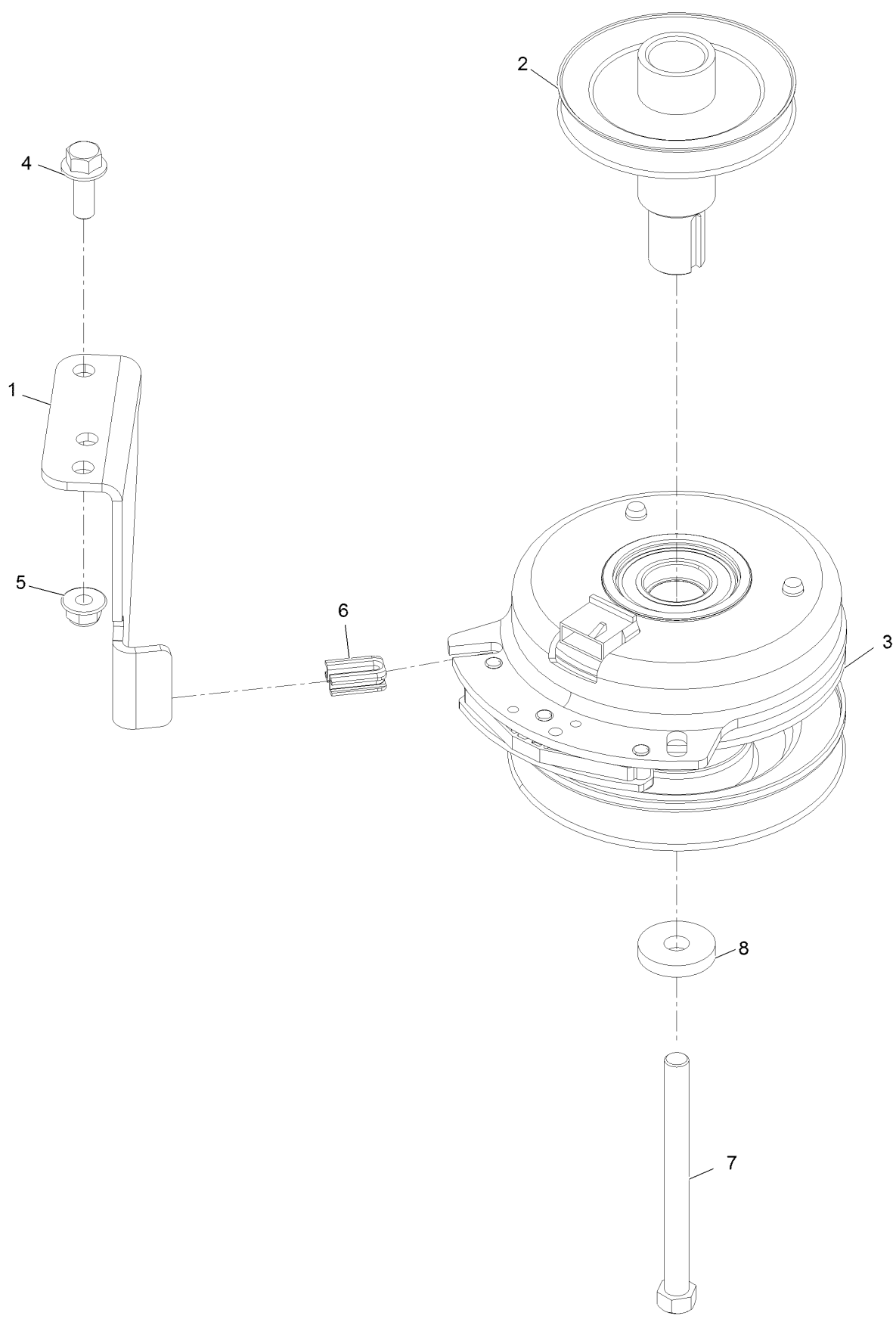




## Seat Assembly No. 140-8303 (continued)

<i>Ref.</i>	<i>Part Number</i>	<i>Qty.</i>	<i>Description</i>	<i>Ref.</i>	<i>Part Number</i>	<i>Qty.</i>	<i>Description</i>
1	140-8323	1	Seat ASM - Bottom	1:5	140-3468	1	Cap-Switch, Actuator
1:1	140-5042	1	Cover-Seat Base	2	140-8324	1	Seat ASM -Back
1:2	82-2190	1	Switch-Bail	2:1	140-5041	1	Cover-Seat Back
1:3	131-4153	1	Track ASM	2:2	139-5823	1	Arm Rest Kit
1:4	131-4154	1	Bushing ASM				

# Clutch Assembly



## Clutch Assembly (continued)

<i>Ref.</i>	<i>Part Number</i>	<i>Qty.</i>	<i>Description</i>	<i>Ref.</i>	<i>Part Number</i>	<i>Qty.</i>	<i>Description</i>
1	137-7000	1	Stop-Clutch (Wide)	5	104-8301	1	Nut-HF, NI
2	138-9792	1	Pulley-Engine	6	120-2217	1	Isolator-Clutch
3	127-3410	1	Clutch-PTO	7	3212-19	1	Screw-HH
4	3234-42	1	Screw-HHF	8	112843	1	Washer

# Attachments and Accessories

## For 75757 TimeCutter 5475C Riding Mower

<b>Product Name</b>	<b>Model/Part</b>
Twin Bagger, Timecutter 50/54 Inch Fab.....	79412
54 Inch Recycler Kit.....	139-3235
54 Inch Bagging Enhancement Kit.....	140-5054
54/60 Inch Striping Kit.....	117-5319
Hourmeter Kit .....	116-5461
Front Weight Kit.....	140-2050
Assist Bar Kit .....	140-2052
Heavy Duty Spring Kit.....	140-2051
ROPS Kit .....	79485
Slope Sensor Kit.....	79486
LED Light Kit.....	140-2056
Sunshade Kit .....	140-2054
Floormat Kit .....	140-2061
Jack Mount Kit.....	140-2711
Jack Kit.....	127-6666
Blade-Hi Lift, 18.75 Inch For 54 Inch TC .....	115-2454-03P
Storage Cover .....	490-7516
Seat Cover w/Arm Rest .....	117-0097
4-Cycle Fuel, Snow And Lawn 32oz Can .....	131-3823
Fuel Stabilizer .05 oz .....	130-2393
Toro Premium Fuel Treatment 12 Oz Bottle .....	131-6572
10w30 4-Cycle Engine Oil (32oz Bottle).....	38280
Toro 4-Cycle SAE 30 Oil (32oz Bottle) .....	38903

**Notes:**

**Notes:**

**Notes:**



**Count on it.**