



Count on it.

Parts Catalog

TRX-300

Trencher

Model No. 22984—Serial No. 405600000 and Up



Ordering Replacement Parts

To order replacement parts, please supply the part number, the quantity, and the description of each part desired.

Understanding Reference Numbers

Each identified part in an illustration has a reference number. The reference number for a part also appears in the parts list, along with other information about the part.

This catalog uses two special reference number formats, one to indicate parts in a service assembly and another to indicate the quantity of a given part in an illustration.

Service Assembly Reference Numbers

Parts in service assemblies have reference numbers in the form a:b. The a represents the reference number of the entire service assembly and the b represents a sequential number unique to each part within the service assembly.

For example, a wheel assembly might be identified by reference number 6, the tire by 6:1, the valve by 6:2, and the wheel by 6:3. When you order the assembly identified by reference number 6, you receive all parts identified by reference numbers 6:1, 6:2, and 6:3. However, you may also order any part individually. Reference numbers of this type appear in illustration and in parts lists.

Reference Numbers Indicating Quantity

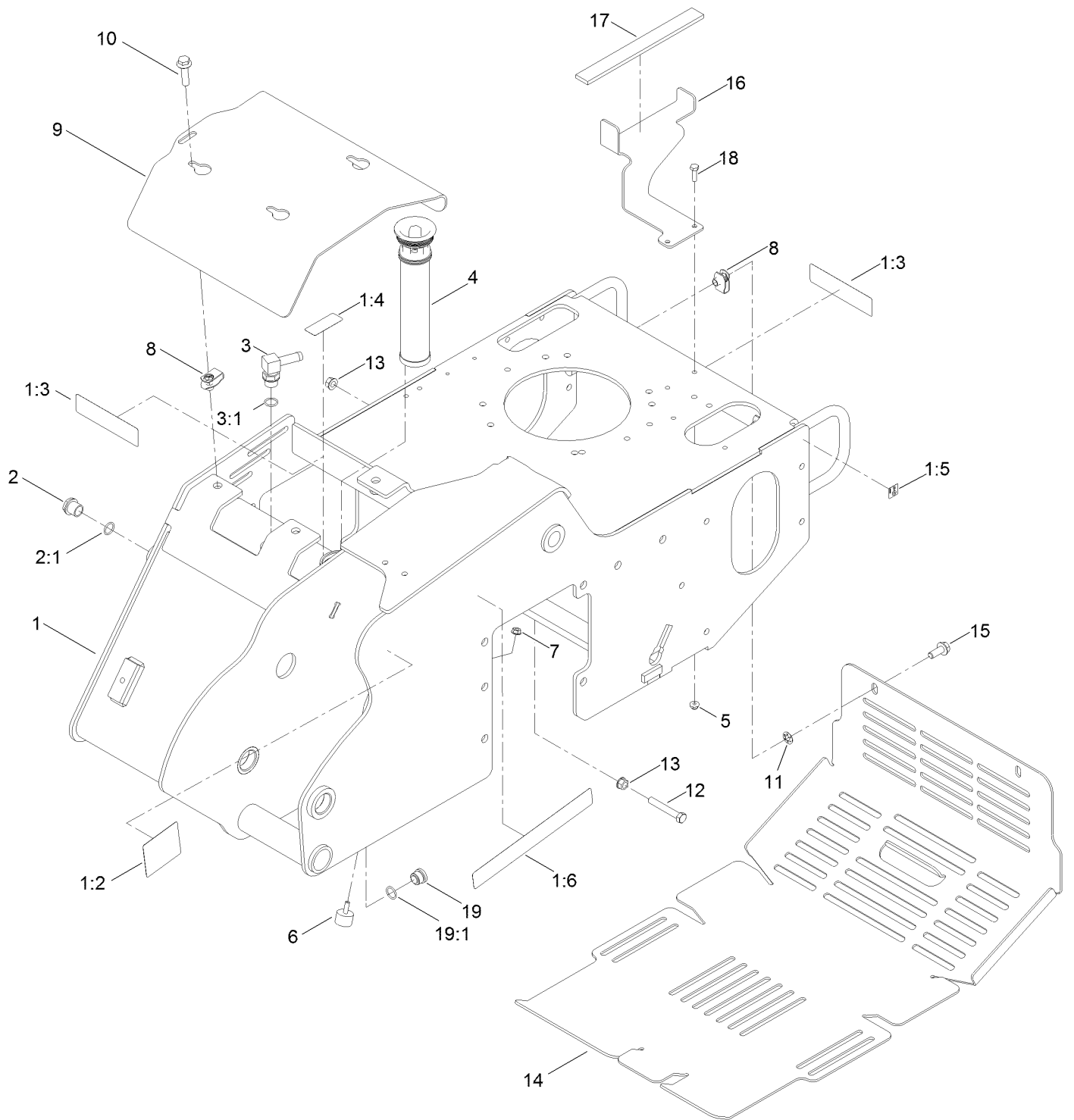
In an illustration, if a reference number indicates more than one part, the reference number has the form nX y. The n represents the quantity of the part, the X is the multiplication symbol, and the y represents the reference number.

For example, in an illustration, the reference number 2X 37 means that two of the parts identified by reference number 37 are indicated.

Contents

Frame Assembly.....	4
Control Tower and Fuel Tank Assembly.....	6
Track Assembly.....	8
Brake Linkage Assembly.....	10
Engine and Muffler Assembly.....	12
Hydraulic Assembly.....	14
Valve Assembly No. 137-7646.....	16
Valve Inlet Section Assembly No. 139-1337.....	18
Valve Inlet Section Assembly No. 139-1338.....	20
Series Valve Section Assembly No. 139-1339.....	22
Parallel Valve Section Assembly No. 139-1344.....	24
Series Valve Section Assembly No. 139-1345.....	26
Parallel Valve Section Assembly No. 139-1346.....	28
Outlet Section Assembly No. 139-1347.....	30
Oil Cooler Assembly.....	32
Trencher Head and Lift Assembly.....	34
Hydraulic Cylinder Assembly No. 137-3827.....	36
Handle Control Assembly.....	38
Electrical Assembly.....	40
Wire Harness Assembly No. 137-7624.....	42
Attachments and Accessories.....	44

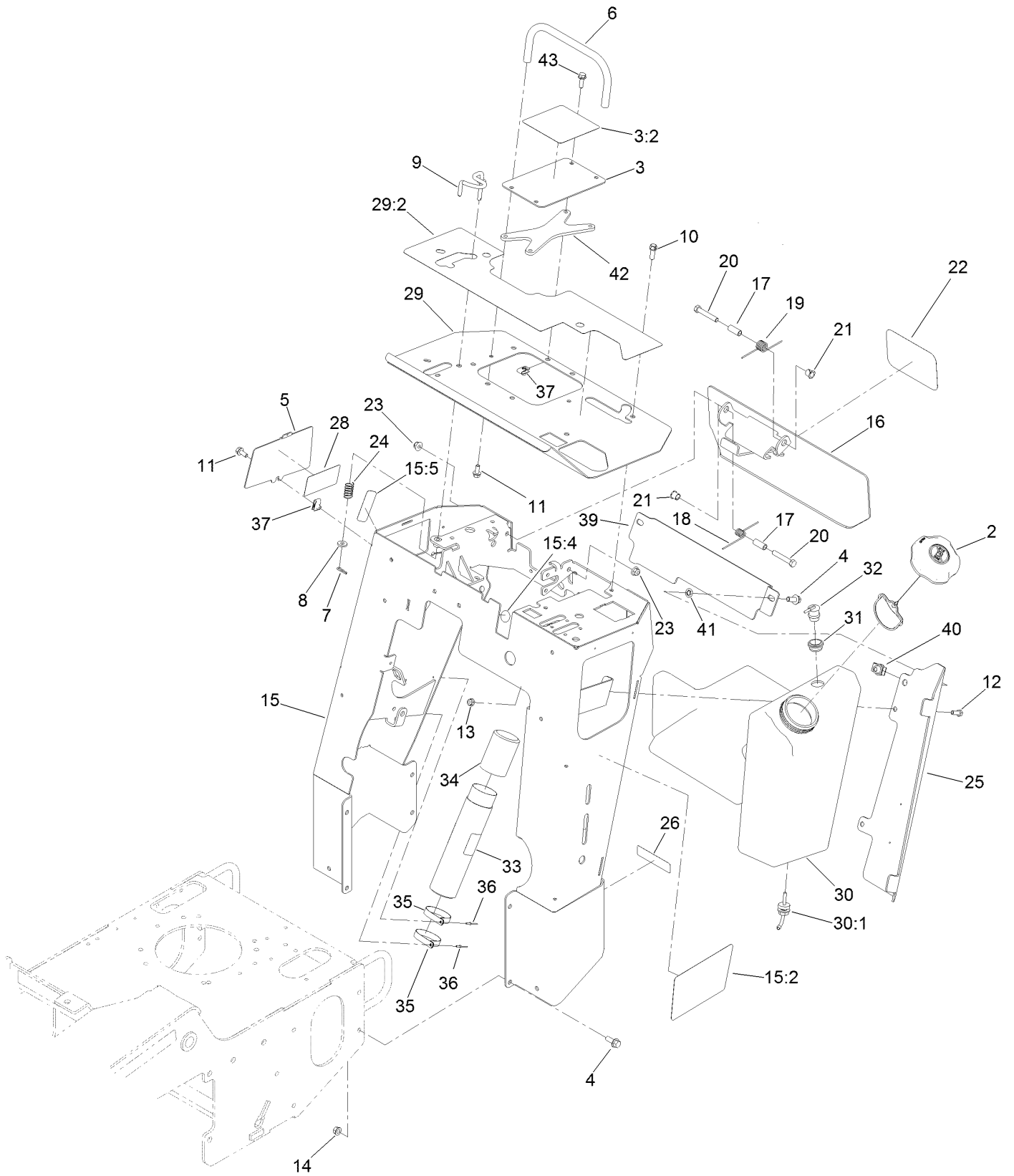
Frame Assembly



Frame Assembly (continued)

<i>Ref.</i>	<i>Part Number</i>	<i>Qty.</i>	<i>Description</i>	<i>Ref.</i>	<i>Part Number</i>	<i>Qty.</i>	<i>Description</i>
1	137-7628	1	Main Frame ASM	8	140-1146	5	Nut-Clip, U
1:2	100-4650	1	Decal-Warning	9	137-7623-03	1	Plate-Cover, Front
1:3	93-7814	2	Decal-Danger	10	33105-040	5	Screw-HHF
1:4	93-6686	1	Decal-Oil, HYD	11	140-1144	5	Nut-Push
1:5	93-9084	2	Decal-Point, Lift	12	323-12	1	Screw-HH
1:6	138-7103	1	Decal-Intellitrench	13	32128-40	2	Nut-Flange
2	114-3075	1	Sight Glass ASM	14	119-5106-01	1	Cover-Rear
2:1	237-79	1	O-Ring	15	108-1531	2	Screw-HHF
3	354-120	1	Fitting-Elbow, 90	16	119-5091-01	1	Bracket-Tank
3:1	237-79	1	O-Ring	17	117-6417	1	Pad-Foam
4	114-3039	1	Filter-Tank, In	18	321-5	2	Screw-HH
5	104-7201	2	Nut-HF	19	133-7659	1	Plug ASM
6	1-523420	1	Bumper	19:1	237-79	1	O-Ring
7	32128-33	1	Nut-HF				

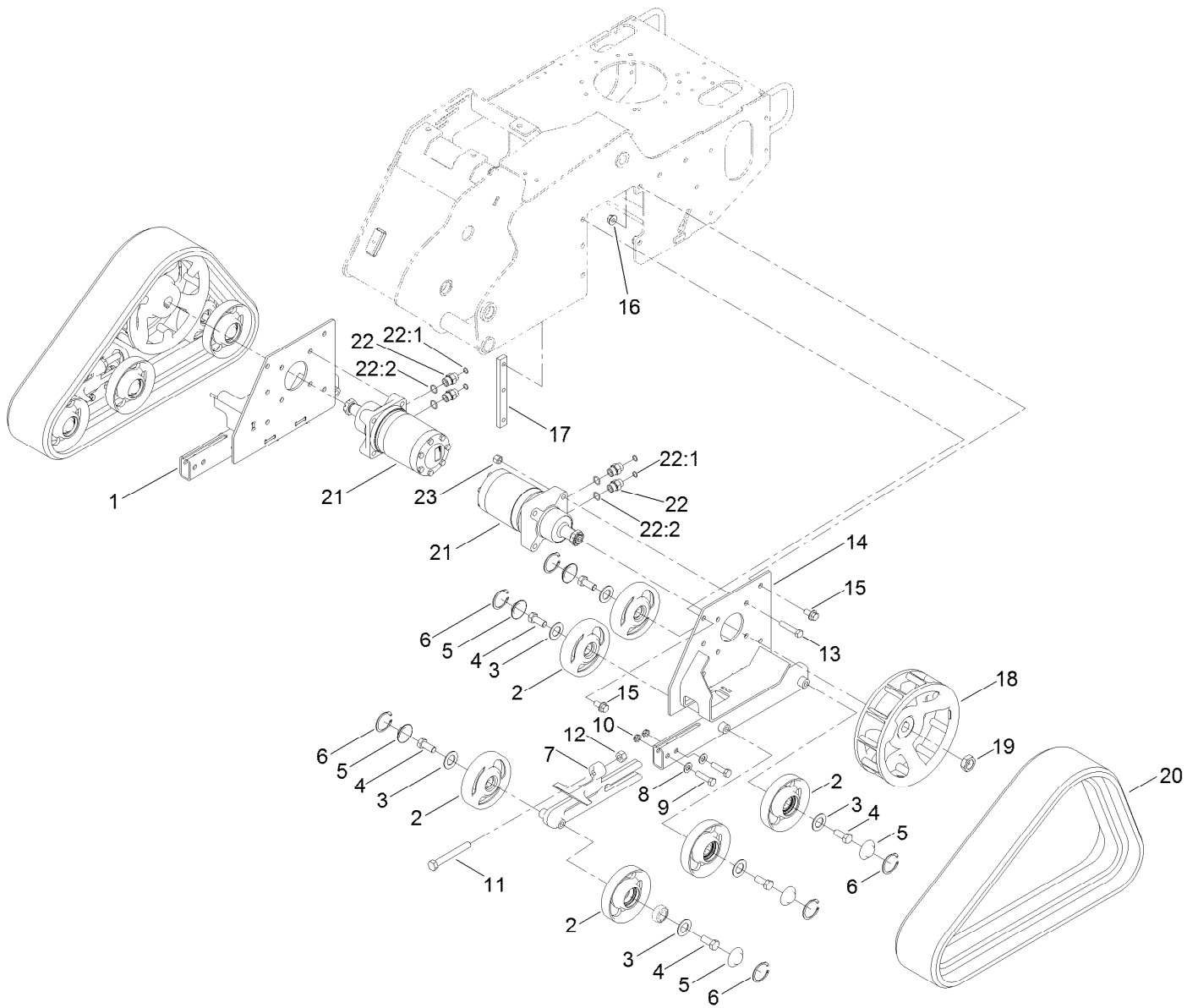
Control Tower and Fuel Tank Assembly



Control Tower and Fuel Tank Assembly (continued)

<i>Ref.</i>	<i>Part Number</i>	<i>Qty.</i>	<i>Description</i>	<i>Ref.</i>	<i>Part Number</i>	<i>Qty.</i>	<i>Description</i>
2	137-4119	1	Cap-Fuel, Ratcheting	21	256-257	2	Bushing-Nyliner
3	137-3795	1	Cover-Handle, Traction	22	105-1217	1	Decal
3:2	138-7107	1	Decal-Traction	23	104-8301	2	Nut-HF, NI
4	3234-11	10	Screw-HHF	24	85-6750	1	Spring-Control
5	137-7654-01	1	Plate-Cover, Access	25	119-5086-01	1	Bracket-Cover, Tank
6	137-7641	1	Bar-Reference	26	133-8062	1	Decal-Arrestor, Spark
7	3290-307	1	Pin-Cotter	28	138-7154	1	Decal-Fuse
8	88-7200	1	Washer-Flat	29	137-3799	1	Cover-Control
9	114-8727	1	Rod-Interlock	29:2	138-7106	1	Decal-Panel, Control
10	95-1726	4	Screw-Taptite	30	120-7359	1	Tank-Fuel
11	3234-5	3	Screw-HHF	30:1	103-2605	1	Fitting-Fuel, Bulkhead
12	322-4	2	Screw-HH	31	114-0284	1	Grommet
13	104-8300	2	Nut-HF, NI	32	119-3547	1	Valve-Vent, Fuel
14	32128-40	8	Nut-Flange	33	104-7050	1	Tube-Manual
15	137-3794	1	Control Tower ASM	34	104-7048	1	Cap-Housing
15:2	137-3839	1	Decal-Side, LH	35	2412-120	2	Clamp-R
15:4	107-8495	1	Decal-Brake, Parking	36	3269-17	2	Rivet-Pop
15:5	139-1271	1	Decal-Brake, Parking	37	94-2413	5	Nut-U
16	137-7652-03	1	Plate-Reverse	39	139-1259-03	1	Guard-Tower
17	114-1337	2	Spacer-Spring	40	105-4886	2	Nut-Tinnerman
18	98-8425	1	Spring-Torsion, LH	41	107-3154	2	Nut-Push
19	137-7695	1	Spring-Torsion	42	139-1288-03	1	Spacer-Cover
20	323-11	2	Screw-HH	43	3234-17	4	Screw-HHF

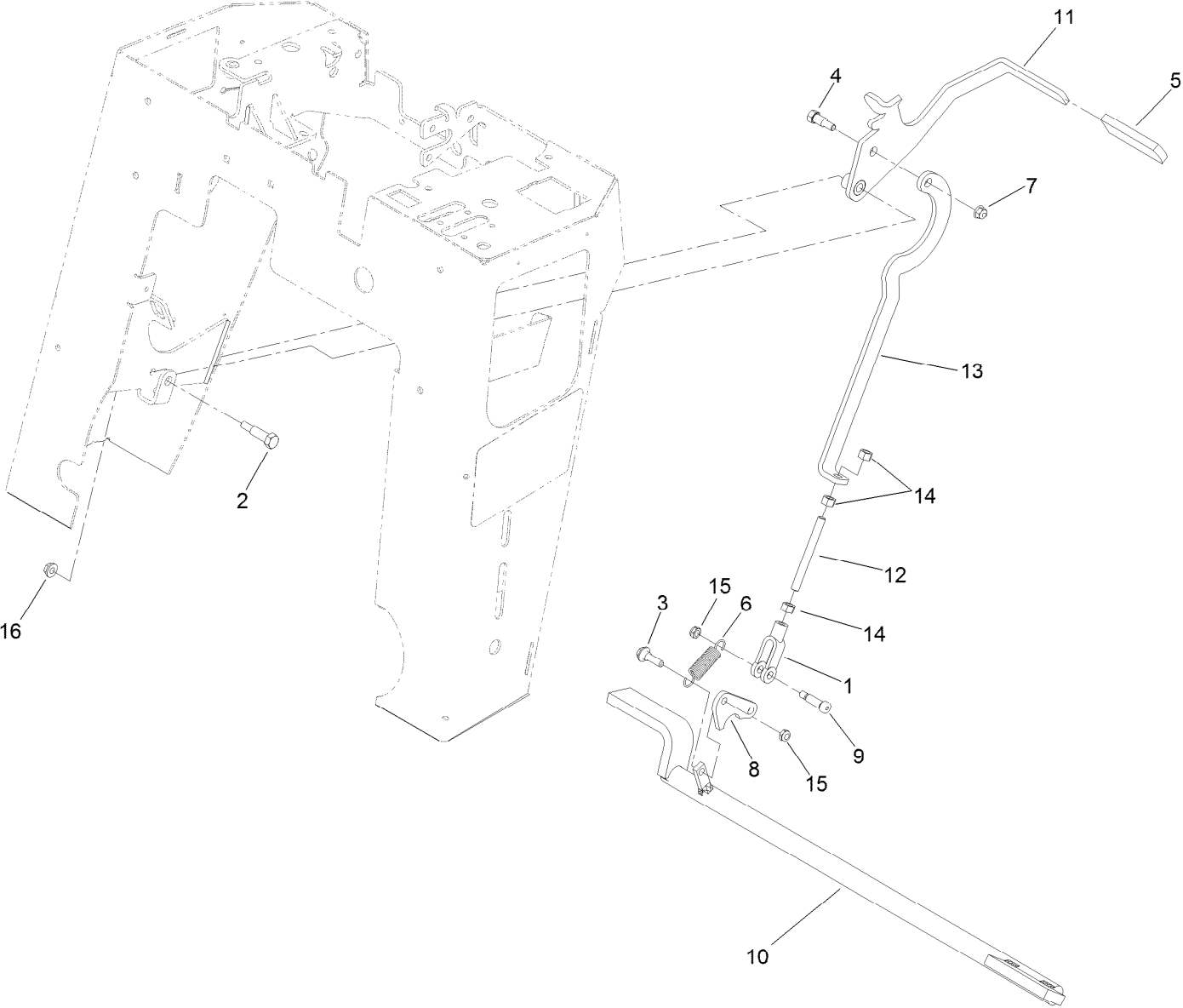
Track Assembly



Track Assembly (continued)

<i>Ref.</i>	<i>Part Number</i>	<i>Qty.</i>	<i>Description</i>	<i>Ref.</i>	<i>Part Number</i>	<i>Qty.</i>	<i>Description</i>
1	114-2993-03	1	Frame-Track, RH	14	114-2992-03	1	Frame-Track, LH
2	138-3139	12	Tensioner Wheel ASM	15	3234-6	10	Screw-HHF
3	106-7585	12	Gasket-Bogie	16	32128-49	4	Nut-HHF
4	327-4	12	Screw-HH	17	114-3091	2	Bar-Thread
5	106-7557	12	Cap-Wheel, Bearing	18	117-6426-03	2	Wheel-Drive
6	106-7595	12	Ring-Snap, Internal	19	106-8159	2	Nut-Lock
7	114-3077-03	2	Tensioner-Track	20	112-4816	2	Track-Rubber
8	3256-26	4	Washer-Flat	21	137-3866	2	Wheel Motor ASM
9	325-8	4	Screw-HH	22	340-6	4	Fitting-Straight
10	3296-45	4	Nut-Hex	22:1	237-30	1	O-Ring
11	112-4874	2	Screw-HH, TAP	22:2	237-80	1	O-Ring
12	3217-11	2	Nut-Hex	23	3296-23	8	Nut-Lock, NI
13	325-10	8	Screw-HH				

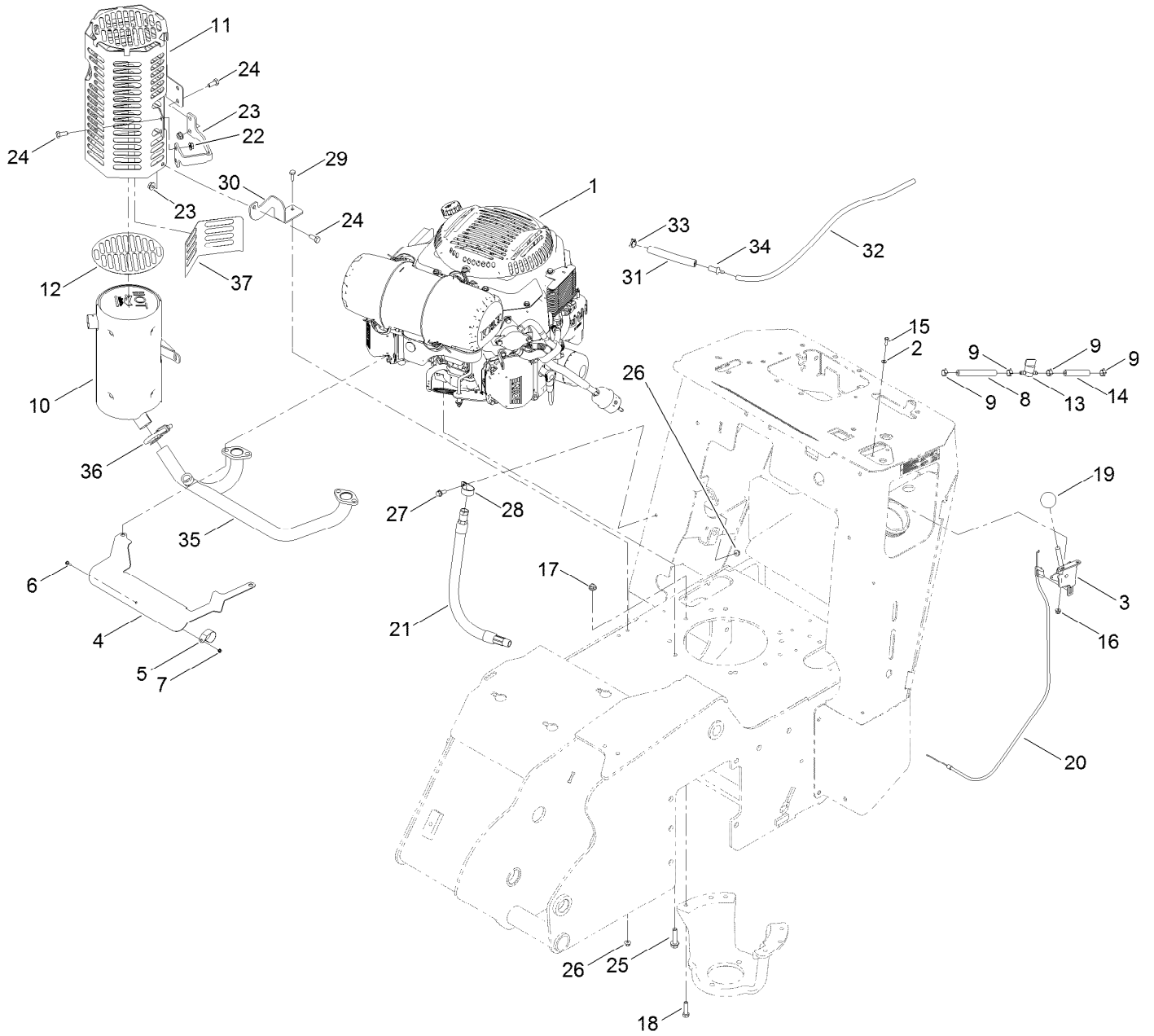
Brake Linkage Assembly



Brake Linkage Assembly (continued)

<i>Ref.</i>	<i>Part Number</i>	<i>Qty.</i>	<i>Description</i>	<i>Ref.</i>	<i>Part Number</i>	<i>Qty.</i>	<i>Description</i>
1	1-633131	1	Yoke-Linkage, Brake	9	114-8629	1	Bolt-Shoulder
2	7-0030	1	Screw-Shoulder, HH	10	121-6240-03	1	Bar-Brake
3	27-7211	1	Screw-Shoulder	11	121-6242-03	1	Handle-Brake
4	28-0540	1	Bolt-Shoulder	12	121-6243	1	Rod-Threaded
5	62-9130	1	Grip-Handle	13	121-6245-03	1	Plate-Brake
6	67-1450	1	Spring-Idler	14	3219-3	3	Nut-Hex
7	104-8300	1	Nut-HF, NI	15	3296-47	2	Nut-Lock, NI
8	114-2975	1	Link-Mounting	16	32128-20	1	Nut-HF

Engine and Muffler Assembly



Engine and Muffler Assembly (continued)

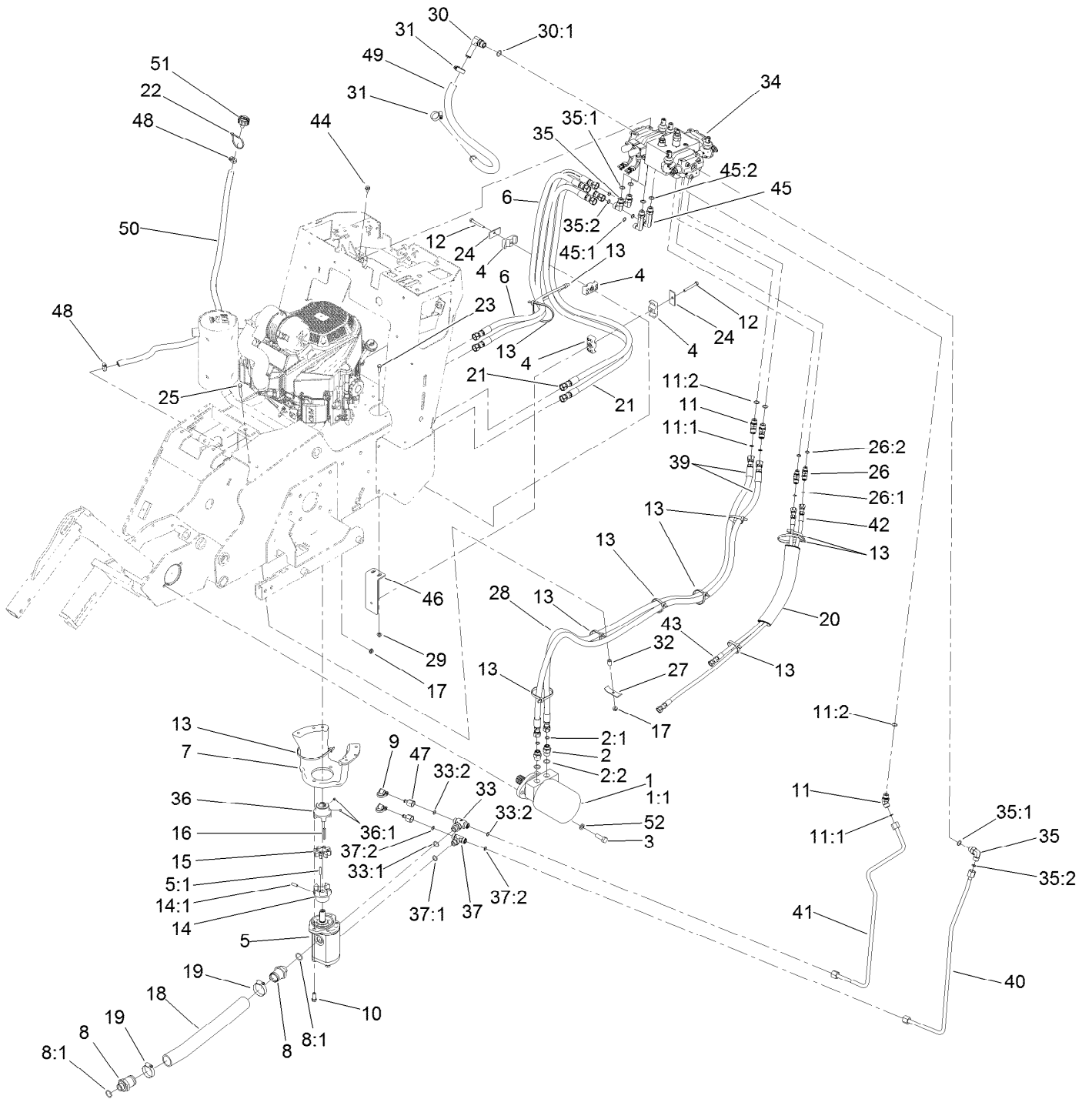
<i>Ref.</i>	<i>Part Number</i>	<i>Qty.</i>	<i>Description</i>	<i>Ref.</i>	<i>Part Number</i>	<i>Qty.</i>	<i>Description</i>
1	138-3130	1	Engine-Kohler, Ps-Ecv749-3068 ▲	20	115-1211	1	Cable-Control
2	3256-21	2	Washer-Flat	21	116-5316	1	Oil Drain Hose ASM
3	110-5547	1	Lever-Control	21:2	353-508	1	Plug-HH ■●
4	137-7691	1	Shield-Heat	21:2:1	237-42	1	O-Ring ●
5	115-6488	1	Clamp	22	138-3101-03	1	Bracket-Muffler
6	115-6494	1	Screw-Pan	23	32128-26	5	Nut-Flange
7	115-6495	1	Nut-Hex	24	322-3	5	Screw-HH
8	109-0295	1	Hose-Fuel	25	32144-102	4	Screw-HWH
9	2412-98	4	Clamp-Hose	26	104-7201	3	Nut-HF
10	138-7138	1	Muffler-Kohler	27	3234-4	1	Screw-HHF
11	139-1310-03	1	Guard-Muffler	28	2412-106	1	Clamp-R
12	131-0604	1	Guard-Foil	29	321-4	2	Screw-HH
13	1-603770	1	Valve-Fuel	30	139-1335-03	1	Bracket-Guard, Muffler
14	109-0304	1	Hose-Fuel	31	138-3150	1	Hose-Vent
15	3290-134	2	Screw	32	138-3151	1	Hose-Vent
16	120-4578	2	Nut-HF	33	103-1988	1	Clamp-Hose
17	32128-20	3	Nut-HF	34	116-4630	1	Fitting-Orifice, Straight
18	322-6	3	Screw-HH	35	138-7139	1	Manifold-Kohler
19	233-42	1	Knob	36	2112-11	1	Clamp-Muffler
				37	139-1322	1	Guard-Foil

● Not illustrated

▲ Obtain parts from www.kohlerplus.com

■ Torque to 24-26 ft-lb

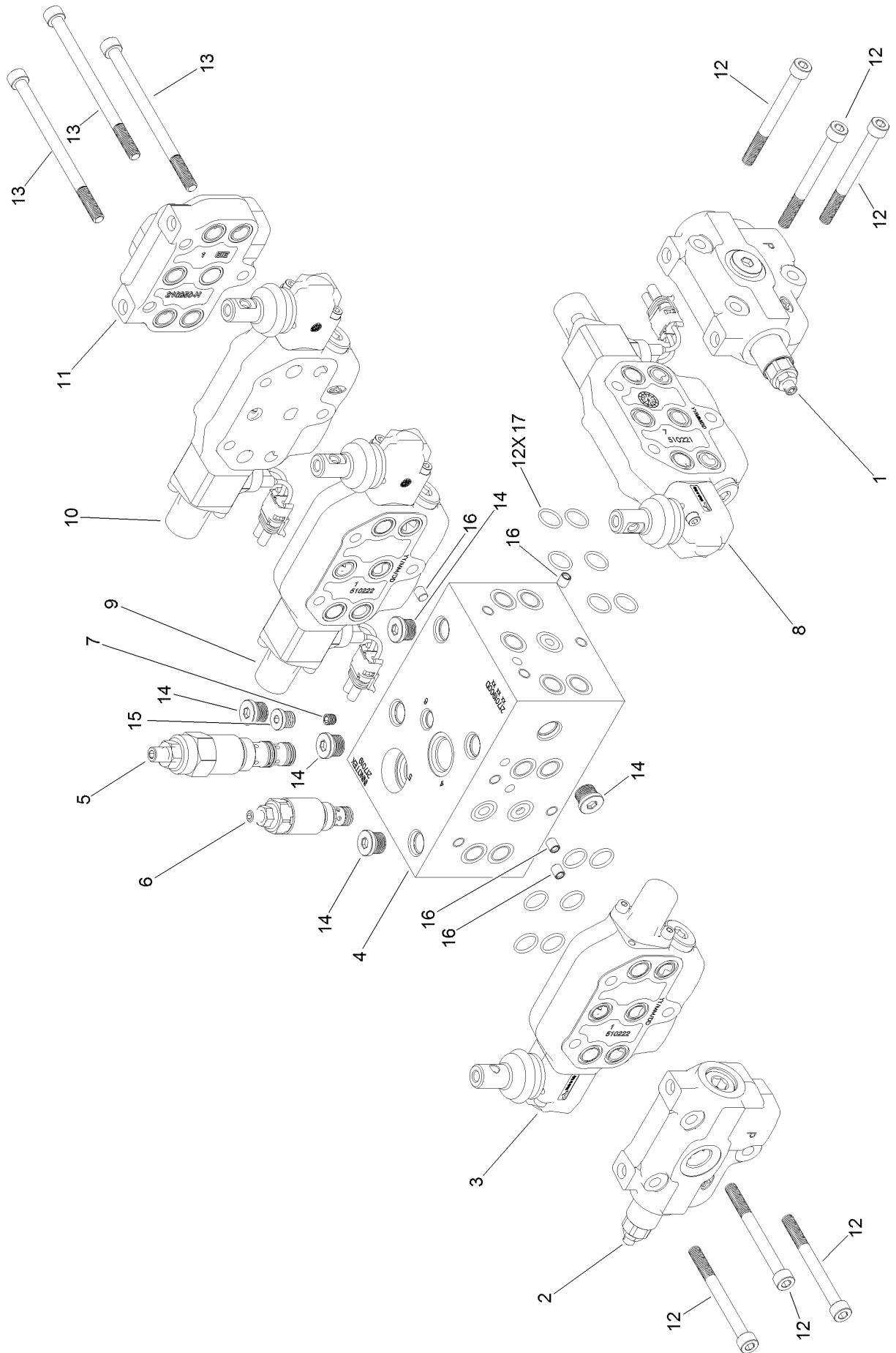
Hydraulic Assembly



Hydraulic Assembly (continued)

<i>Ref.</i>	<i>Part Number</i>	<i>Qty.</i>	<i>Description</i>	<i>Ref.</i>	<i>Part Number</i>	<i>Qty.</i>	<i>Description</i>
1	117-6306	1	Hydraulic Motor ASM	27	100-4860	1	Bracket-Clamp
1:1	115-4061	1	Seal Kit	28	99-5648	2	Sleeve-Protective
2	340-6	2	Fitting-Straight	29	104-8300	2	Nut-HF, NI
2:1	237-30	1	O-Ring	30	87-8170	1	Fitting-90
2:2	237-80	1	O-Ring	30:1	237-80	1	O-Ring
3	325-6	2	Screw-HH	31	2412-129	2	Clamp-Hose
4	94-8105	6	Clamp-Tube	32	93-5023	1	Spacer
5	137-7630	1	Pump-HYD	33	130-8775	1	Fitting-HYD
5:1	27-8590	1	Key-Square	33:1	237-80	1	O-Ring
6	137-7682	2	Hydraulic Hose ASM	33:2	237-30	2	O-Ring
7	137-7634-03	1	Mount-Pump	34	137-7646	1	Valve ASM
8	138-7126	2	Fitting-STR	35	340-98	3	Fitting-Elbow, 90 DEG
8:1	237-81	1	O-Ring	35:1	237-79	1	O-Ring
9	354-79	2	Cap-Dust	35:2	237-30	1	O-Ring
10	324-4	2	Screw-HH	36	138-7100	1	Hub-Flex (1.125" Shaft)
11	340-101	3	Fitting-HYD, 45 DEG	36:1	100-7594	2	Screw-Set
11:1	237-30	1	O-Ring	37	340-157	1	Fitting-HYD, Tee
11:2	237-79	1	O-Ring	37:1	237-79	1	O-Ring
12	322-11	3	Screw-HH	37:2	237-30	2	O-Ring
13	3334-945	11	Tie-Cable	39	137-3730	2	Hydraulic Hose ASM
14	114-2933	1	Coupler-Flex	40	137-7698	1	HYD Tube ASM
14:1	100-7594	1	Screw-Set	41	137-3724	1	HYD Tube ASM
15	93-8827	1	Coupler-Spider	42	137-3731	1	Hydraulic Hose ASM
16	608006	1	Key-Square	43	137-3732	1	Hose-HYD
17	32128-20	4	Nut-HF	44	68-9410	3	Screw-HHF
18	138-7128	1	Hose-Suction, HYD	45	99-6160	2	Fitting-Elbow, 90 Long
19	2412-130	2	Clamp-Hose	45:1	237-30	1	O-Ring
20	115-4064	1	Sleeve-Protective	45:2	237-79	1	O-Ring
21	137-7680	2	Hydraulic Hose ASM	46	137-3736-03	1	Bracket-Support, Hose
22	3290-379	1	Tie-Cable	47	100-5616	2	Fitting
23	322-4	2	Screw-HH	48	2412-36	2	Clamp-Hose
24	69-9761	3	Plate-Cover	49	137-3733	1	Hose-Cooler
25	322-10	1	Screw-HH	50	114-3042	1	Hose-Breather
26	340-87	2	Fitting-Elbow, 45 DEG	51	68-6150	1	Breather
26:1	237-22	1	O-Ring	52	3253-7	2	Washer-Lock
26:2	237-42	1	O-Ring				

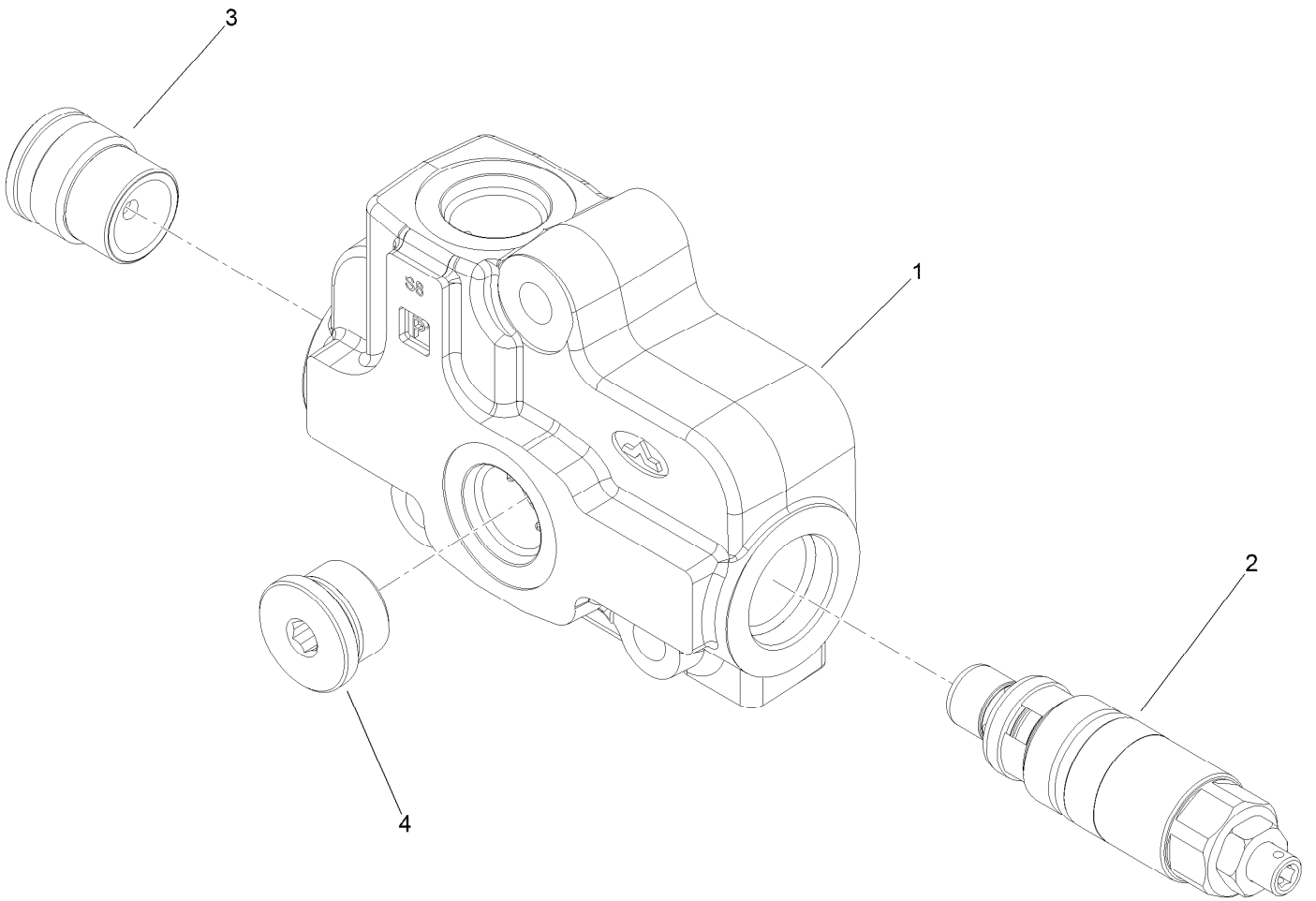
Valve Assembly No. 137-7646



Valve Assembly No. 137-7646 (continued)

<i>Ref.</i>	<i>Part Number</i>	<i>Qty.</i>	<i>Description</i>	<i>Ref.</i>	<i>Part Number</i>	<i>Qty.</i>	<i>Description</i>
1	139-1337	1	Section-Inlet	10	139-1346	1	Section-Valve, Parallel
2	139-1338	1	Section-Inlet	11	139-1347	1	Section-Outlet
3	139-1339	1	Section-Valve, Series	12	139-1348	6	Screw-HSH
4	139-1340	1	Block-Manifold	13	139-1349	3	Screw-HSH
5	139-1341	1	Valve-Directional, Unloading	14	131-3807	5	Plug
6	139-1342	1	Valve-Relief	15	131-3806	1	Plug
7	139-1343	1	Plug-Orifice	16	140-1100	4	Plug-Expansion
8	139-1344	1	Section-Valve, Parallel	17	140-1101	12	O-Ring
9	139-1345	1	Section-Valve, Series				

Valve Inlet Section Assembly No. 139-1337

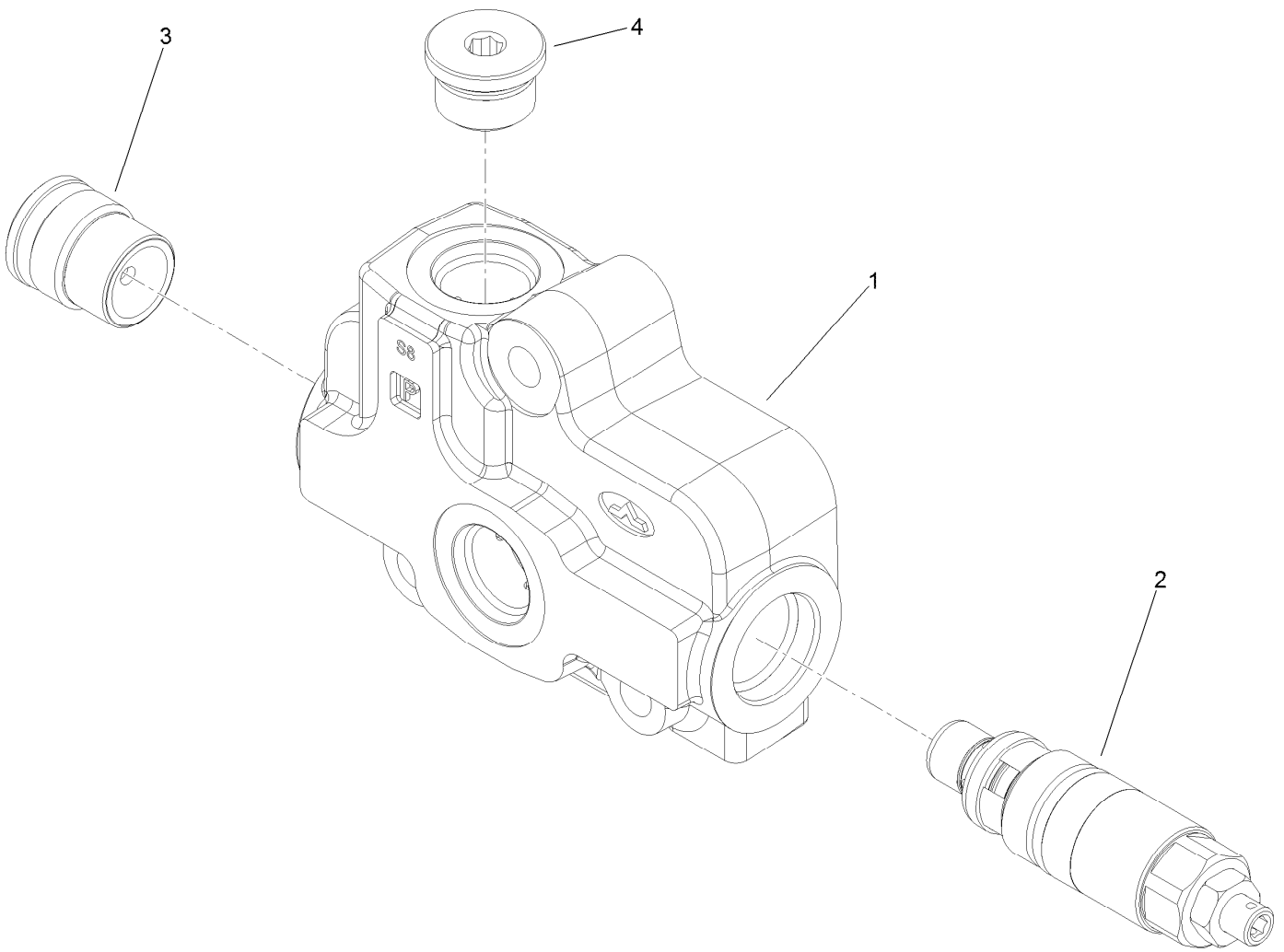


Valve Inlet Section Assembly No. 139-1337 (continued)

<i>Ref.</i>	<i>Part Number</i>	<i>Qty.</i>	<i>Description</i>
1	140-1102	1	Inlet
2	132-6039	1	Valve-Relief

<i>Ref.</i>	<i>Part Number</i>	<i>Qty.</i>	<i>Description</i>
3	140-1103	1	Plug
4	140-1104	1	Plug

Valve Inlet Section Assembly No. 139-1338

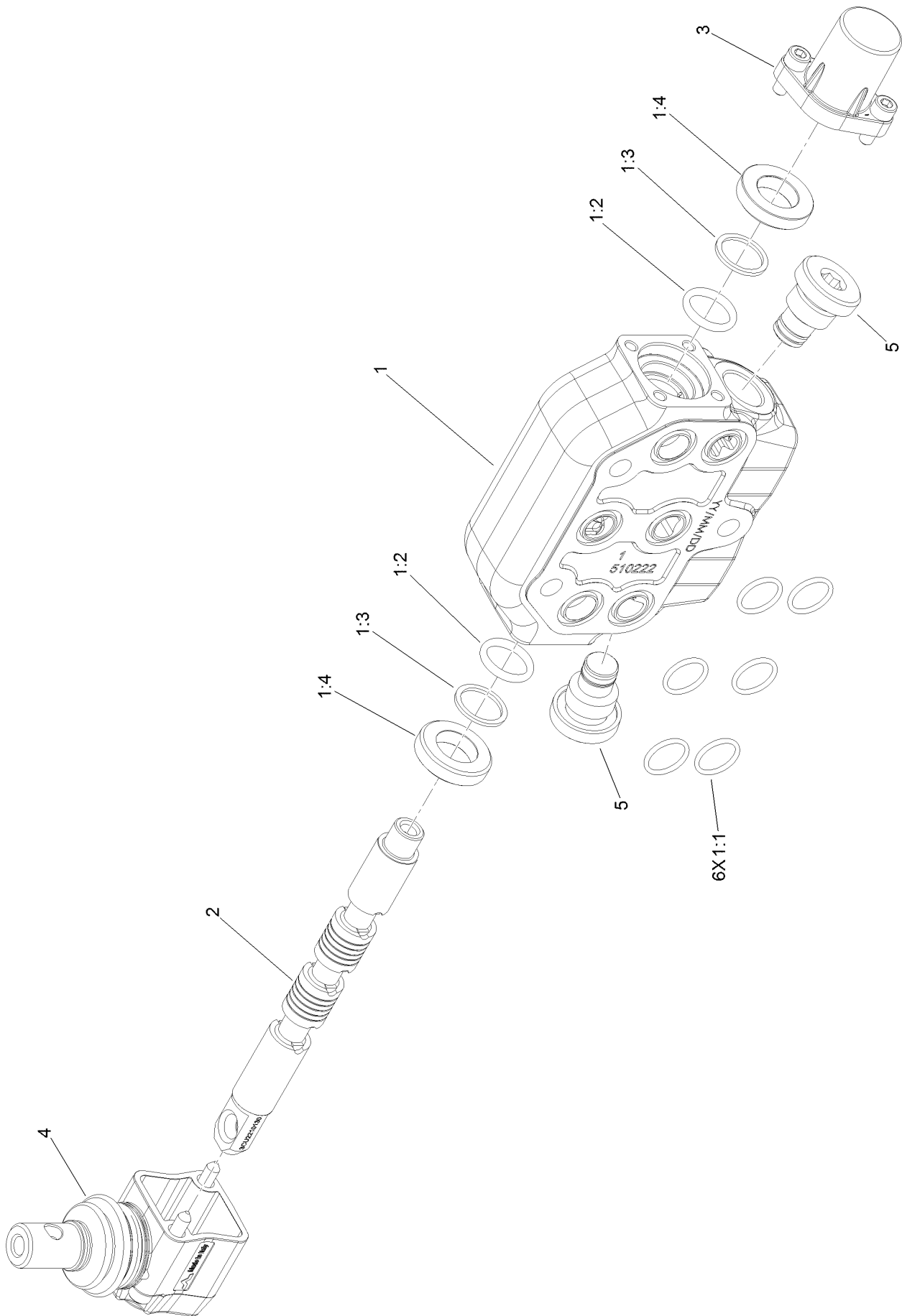


Valve Inlet Section Assembly No. 139-1338 (continued)

<i>Ref.</i>	<i>Part Number</i>	<i>Qty.</i>	<i>Description</i>
1	140-1102	1	Inlet
2	132-6039	1	Valve-Relief

<i>Ref.</i>	<i>Part Number</i>	<i>Qty.</i>	<i>Description</i>
3	140-1103	1	Plug
4	140-1104	1	Plug

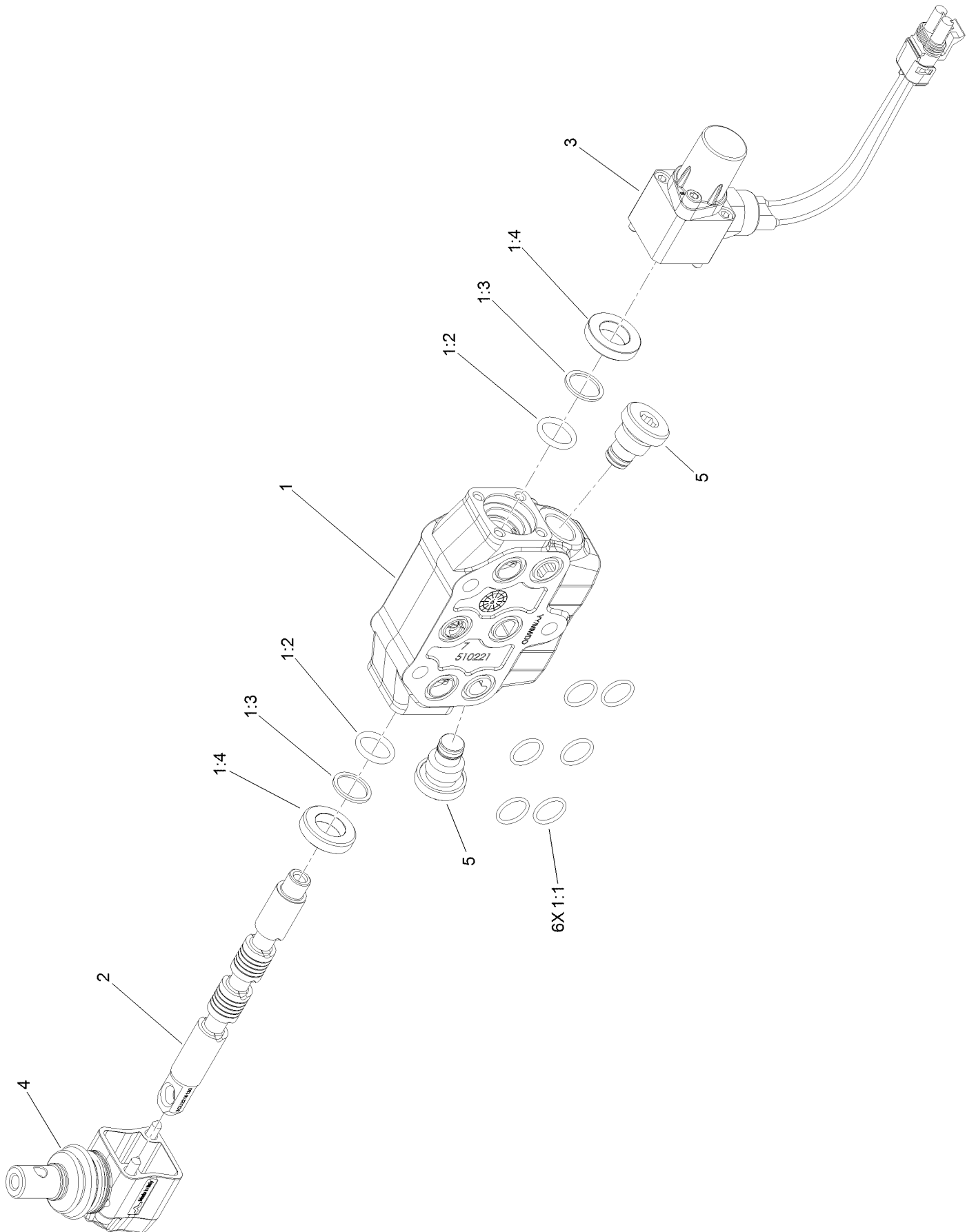
Series Valve Section Assembly No. 139-1339



Series Valve Section Assembly No. 139-1339 (continued)

<i>Ref.</i>	<i>Part Number</i>	<i>Qty.</i>	<i>Description</i>	<i>Ref.</i>	<i>Part Number</i>	<i>Qty.</i>	<i>Description</i>
1	140-1109	1	Section-Working	2	140-1105	1	Valve-Spool
1:1	140-1114	6	O-Ring	3	140-1110	1	Kit-Control
1:2	106-7719	2	Seal-Valve	4	140-1107	1	Lever-Valve
1:3	140-1116	2	Seal-Valve	5	140-1108	2	Plug
1:4	140-1117	2	Seal-Valve				

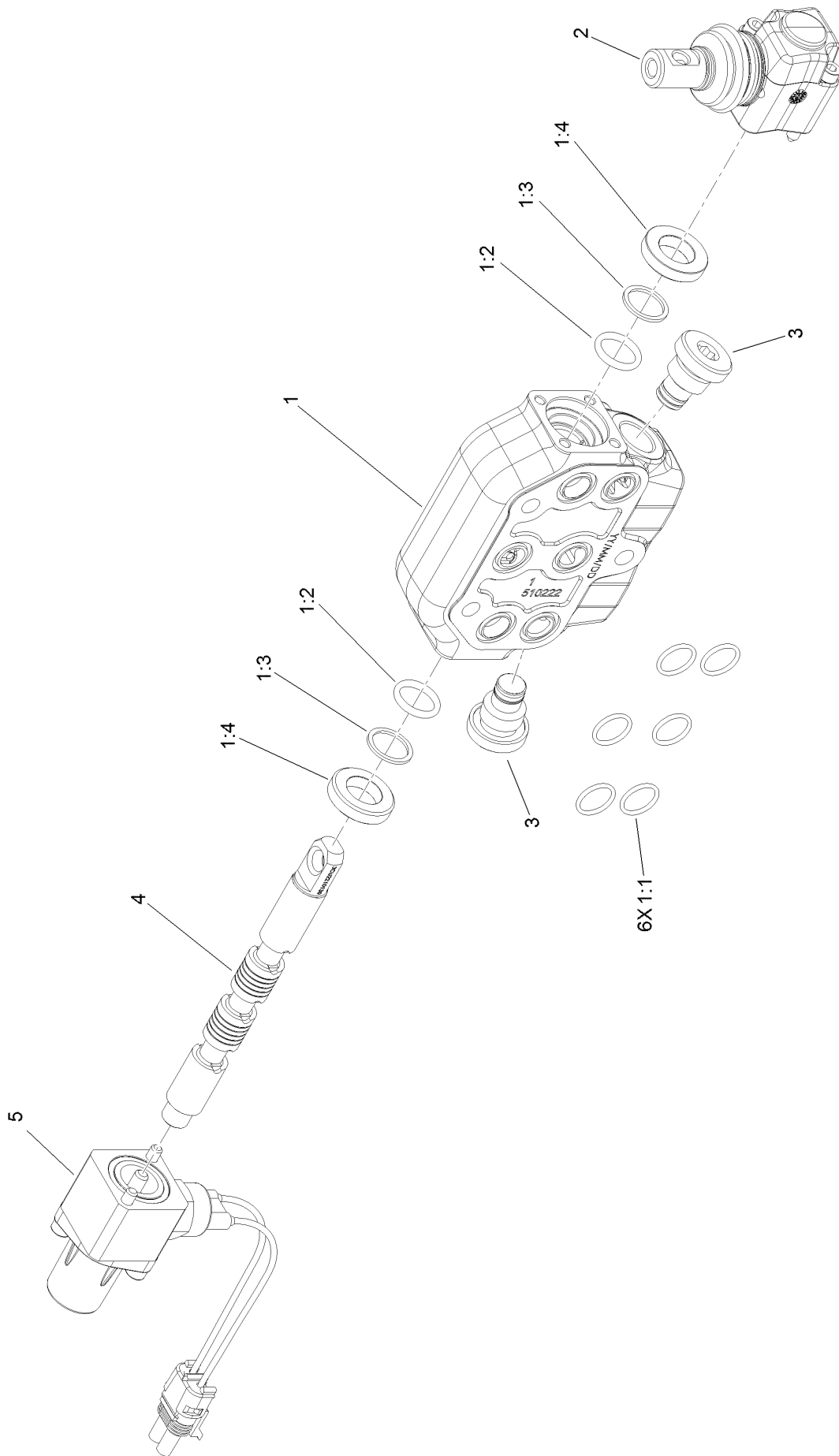
Parallel Valve Section Assembly No. 139-1344



Parallel Valve Section Assembly No. 139-1344 (continued)

<i>Ref.</i>	<i>Part Number</i>	<i>Qty.</i>	<i>Description</i>	<i>Ref.</i>	<i>Part Number</i>	<i>Qty.</i>	<i>Description</i>
1	140-1115	1	Section-Working	2	140-1105	1	Valve-Spool
1:1	140-1114	6	O-Ring	3	140-1106	1	Kit-Control
1:2	106-7719	2	Seal-Valve	4	140-1107	1	Lever-Valve
1:3	140-1116	2	Seal-Valve	5	140-1108	2	Plug
1:4	140-1117	2	Seal-Valve				

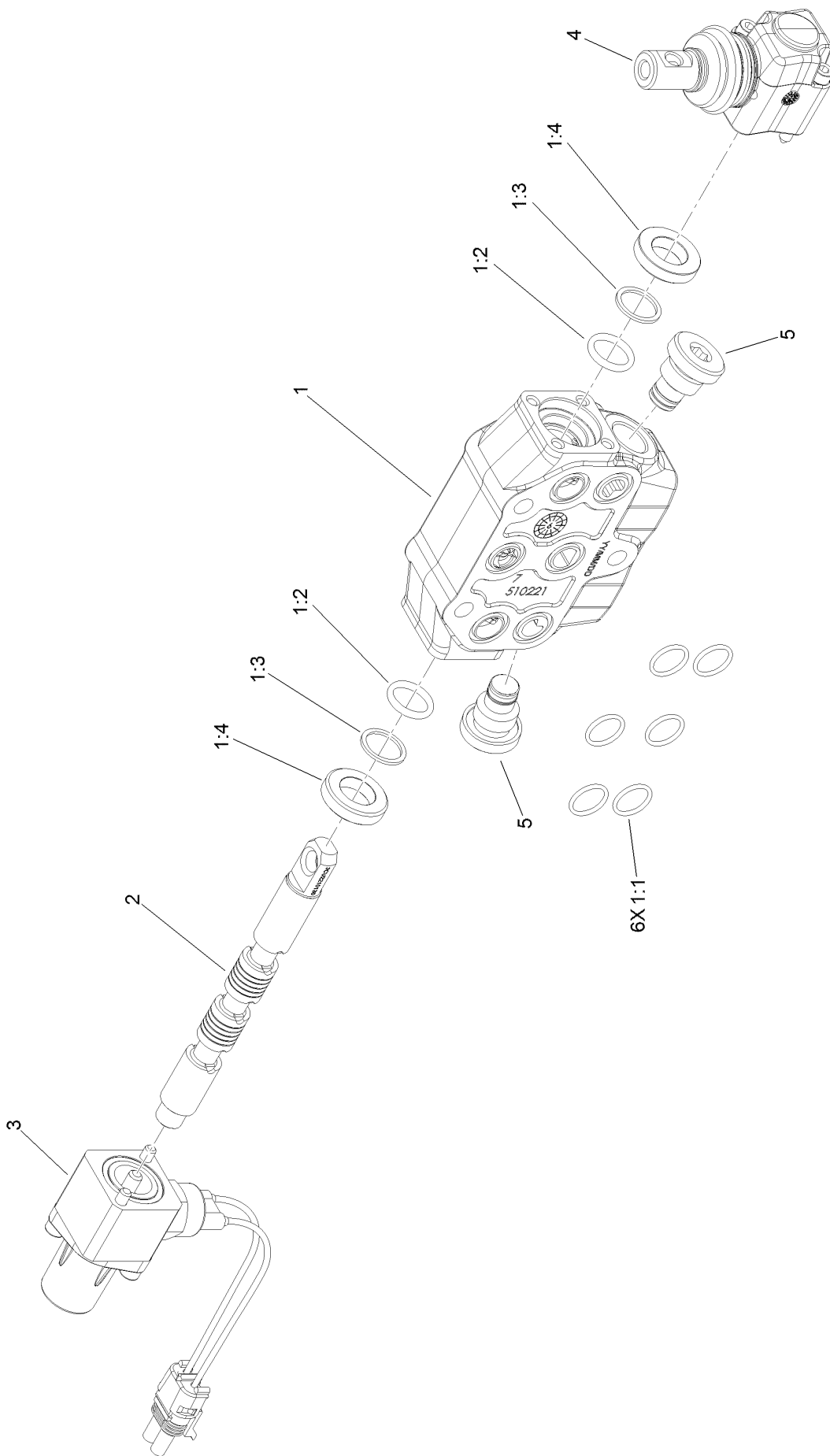
Series Valve Section Assembly No. 139-1345



Series Valve Section Assembly No. 139-1345 (continued)

<i>Ref.</i>	<i>Part Number</i>	<i>Qty.</i>	<i>Description</i>	<i>Ref.</i>	<i>Part Number</i>	<i>Qty.</i>	<i>Description</i>
1	140-1118	1	Section-Working	2	140-1107	1	Lever-Valve
1:1	140-1114	6	O-Ring	3	140-1108	2	Plug
1:2	106-7719	2	Seal-Valve	4	140-1105	1	Valve-Spool
1:3	140-1116	2	Seal-Valve	5	140-1106	1	Kit-Control
1:4	140-1117	2	Seal-Valve				

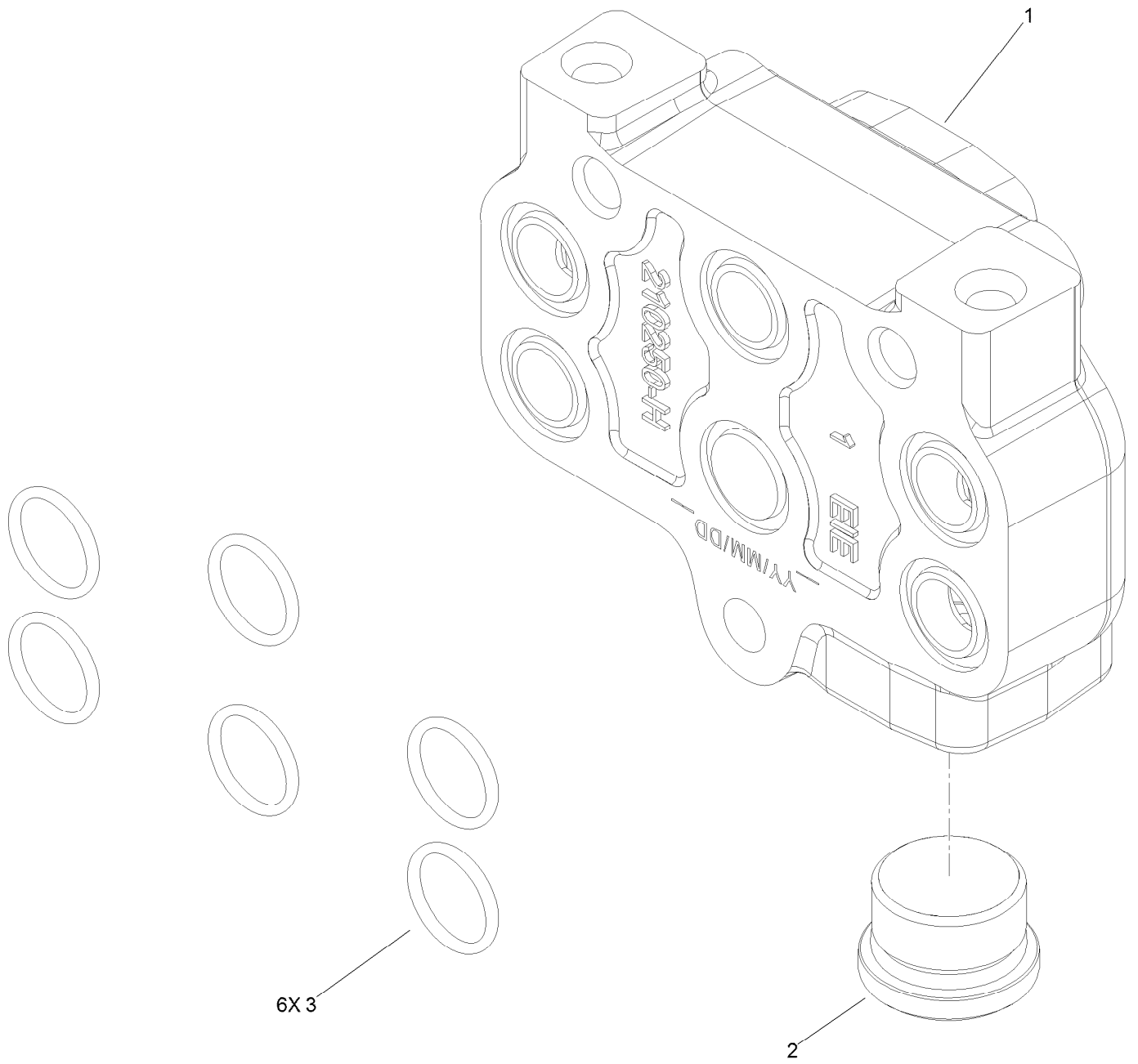
Parallel Valve Section Assembly No. 139-1346



Parallel Valve Section Assembly No. 139-1346 (continued)

<i>Ref.</i>	<i>Part Number</i>	<i>Qty.</i>	<i>Description</i>	<i>Ref.</i>	<i>Part Number</i>	<i>Qty.</i>	<i>Description</i>
1	140-1115	1	Section-Working	2	140-1105	1	Valve-Spool
1:1	140-1114	6	O-Ring	3	140-1106	1	Kit-Control
1:2	106-7719	2	Seal-Valve	4	140-1107	1	Lever-Valve
1:3	140-1116	2	Seal-Valve	5	140-1108	2	Plug
1:4	140-1117	2	Seal-Valve				

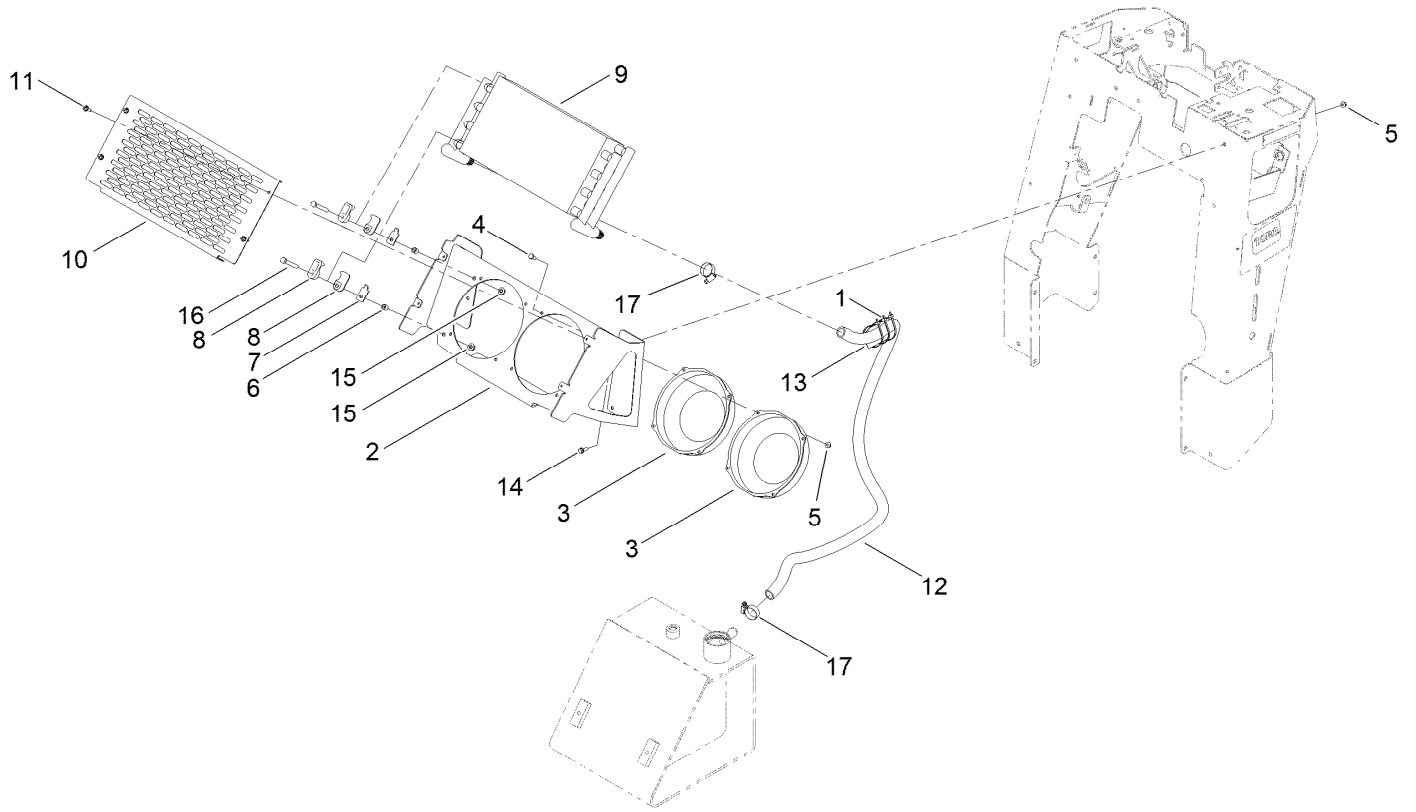
Outlet Section Assembly No. 139-1347



Outlet Section Assembly No. 139-1347 (continued)

<i>Ref.</i>	<i>Part Number</i>	<i>Qty.</i>	<i>Description</i>
1	140-1112	1	Cover-Outlet
2	140-1111	1	Plug
3	140-1114	6	O-Ring

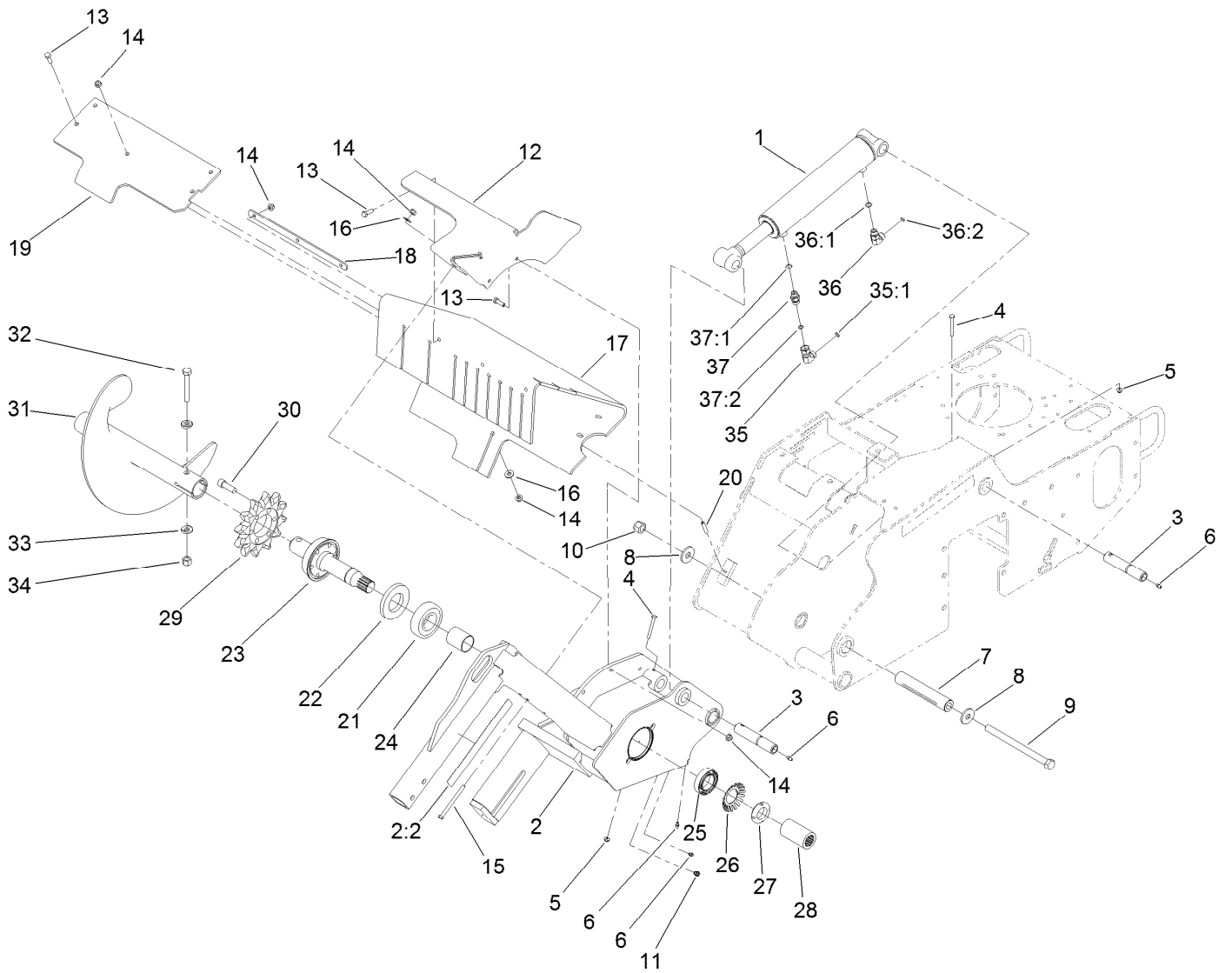
Oil Cooler Assembly



Oil Cooler Assembly (continued)

<i>Ref.</i>	<i>Part Number</i>	<i>Qty.</i>	<i>Description</i>	<i>Ref.</i>	<i>Part Number</i>	<i>Qty.</i>	<i>Description</i>
1	3290-379	3	Tie-Cable	10	119-4633-01	1	Cover-Cooler
2	115-9240-01	1	Mount-Cooler	11	32104-95	4	Screw-HWH
3	120-7390	2	Fan	12	138-3131	1	Hose-Return
4	321-3	8	Screw-HH	13	AU112950	1	Protector-Hose
5	104-7201	12	Nut-HF	14	115-5103	4	Screw-HHF
6	105-5723	4	Spacer-Tube	15	104-8300	4	Nut-HF, NI
7	131-0642	4	Plate-Support, Clamp	16	322-11	4	Screw-HH
8	131-0733	8	Clamp	17	2412-129	2	Clamp-Hose
9	117-6320	1	Cooler-Oil				

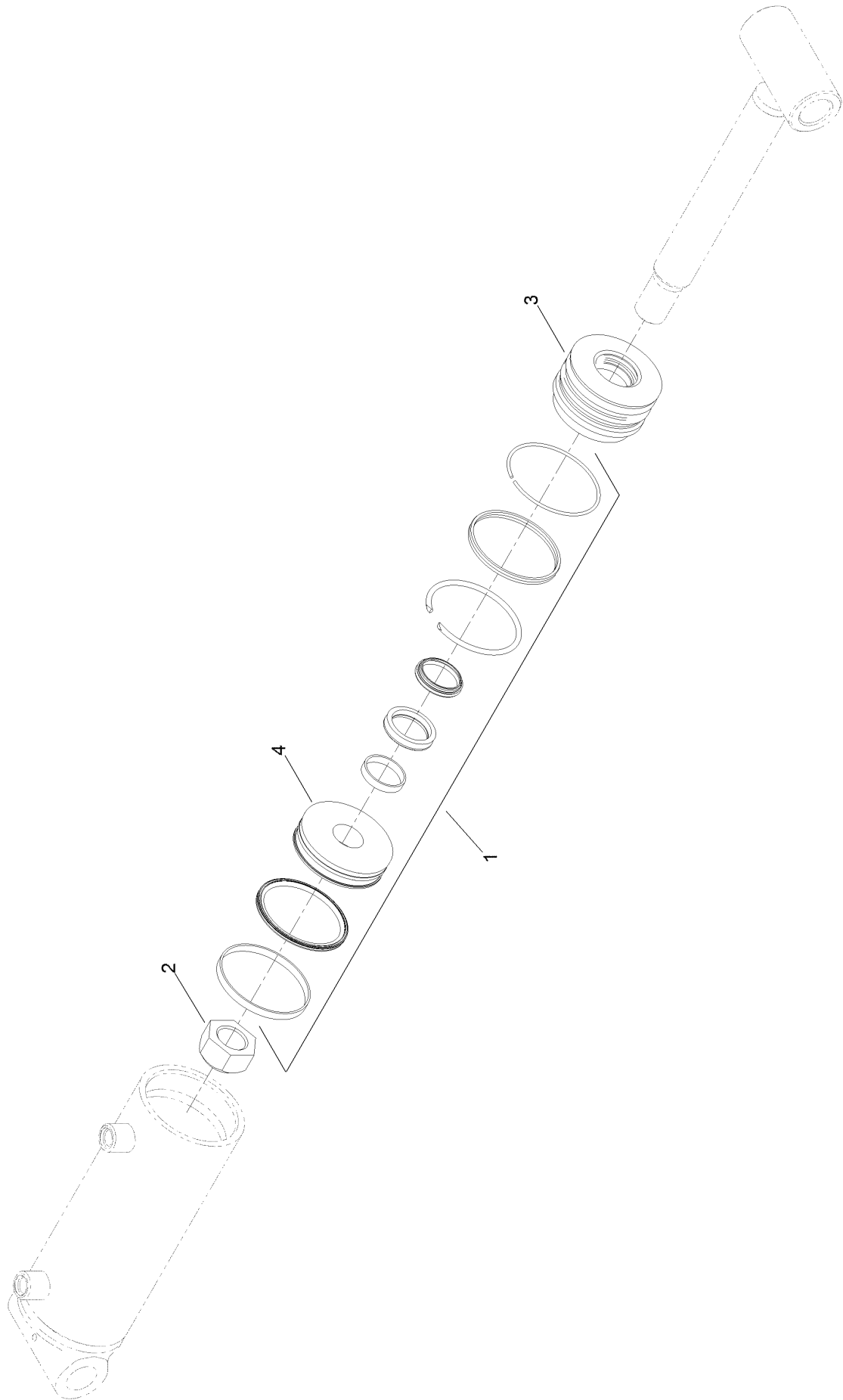
Trencher Head and Lift Assembly



Trencher Head and Lift Assembly (continued)

<i>Ref.</i>	<i>Part Number</i>	<i>Qty.</i>	<i>Description</i>	<i>Ref.</i>	<i>Part Number</i>	<i>Qty.</i>	<i>Description</i>
1	137-3827	1	Hydraulic Cylinder ASM	22	114-2955	1	Seal-Grease
2	117-6423	1	Trencher Head ASM	23	117-6308	1	Shaft-Trencher
2:2	99-9952	2	Decal-Danger	24	112-4979	1	Spacer
3	120-7352	2	Pin-Pivot	25	111199	1	Bearing-Ball
4	321-18	2	Screw-HH	26	114-2956	1	Lockwasher-Bearing
5	104-7201	2	Nut-HF	27	88-1450	1	Locknut-Bearing
6	302-5	4	Fitting-Grease	28	117-6315	1	Collar-Splined
7	121-4571	1	Spacer-Pivot	29	104-1964	1	Sprocket-Trencher
8	104-9216	2	Washer-Hardened	30	3274-4	6	Screw-HSH
9	117-6327	1	Bolt-HH	31	137-3737-03	1	Auger-Trencher
10	3296-53	1	Nut-Lock, NI	32	325-13	1	Screw-HH
11	302-34	1	Fitting-Lube	33	117-3479	2	Washer-Saddle
12	115-1279-03	1	Bracket-Shield	34	3296-23	1	Nut-Lock, NI
13	322-5	8	Screw-HH	35	340-159	1	Elbow-90
14	104-8300	11	Nut-HF, NI	35:1	237-22	2	O-Ring
15	322-23	1	Screw-HH	36	340-77	1	Fitting-Elbow, 90 DEG
16	3256-3	4	Washer-Flat	36:1	237-22	1	O-Ring
17	117-6317	1	Shield-Dirt	36:2	237-42	1	O-Ring
18	115-4001-03	1	Plate-Strap, Shield	37	115-4081	1	Valve-Check
19	117-6316-03	1	Clamp-Bar	37:1	237-42	1	O-Ring
20	115-4049	2	Screw-HSH	37:2	237-22	1	O-Ring
21	106-8871	1	Bearing-Ball				

Hydraulic Cylinder Assembly No. 137-3827

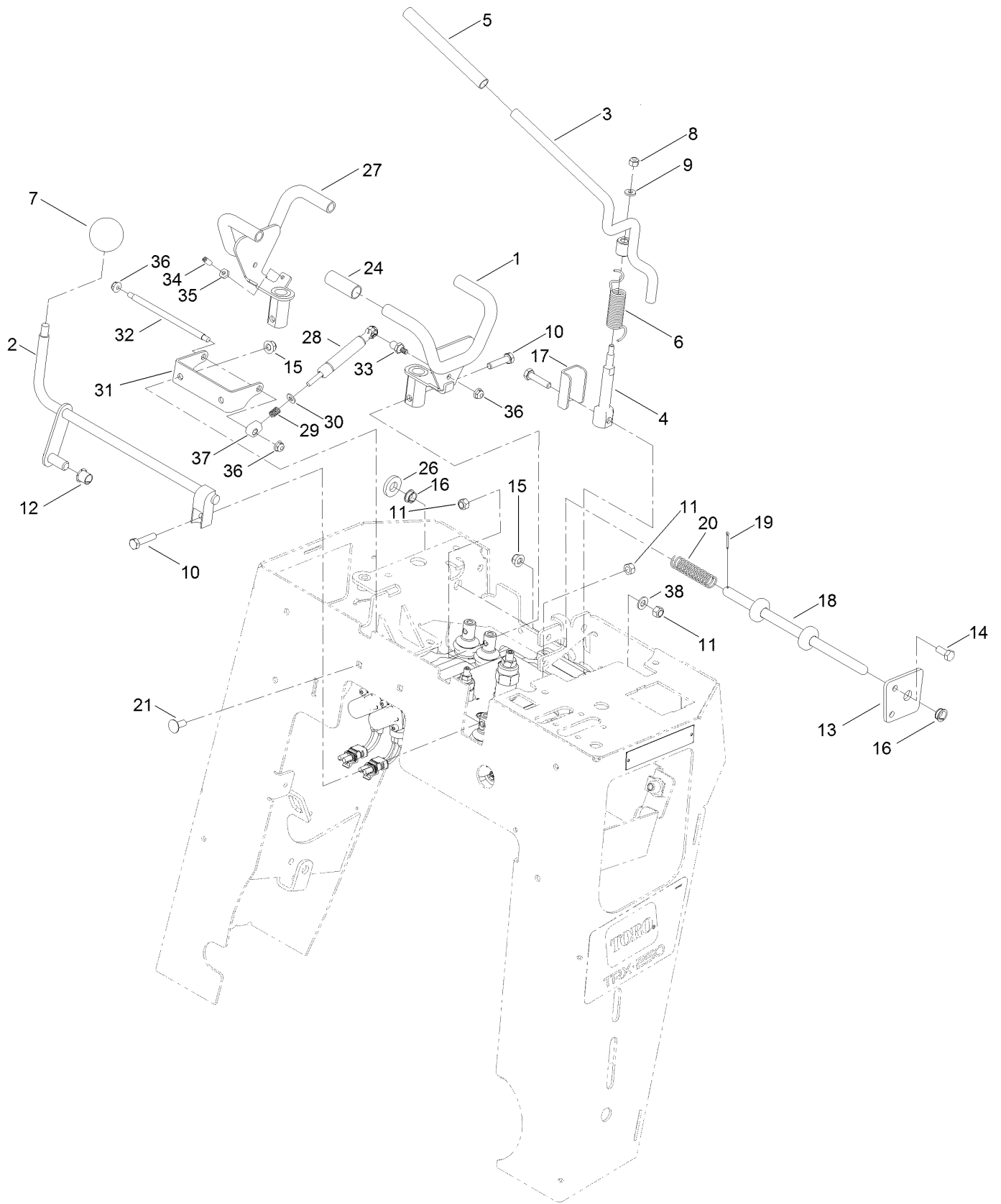


Hydraulic Cylinder Assembly No. 137-3827 (continued)

<i>Ref.</i>	<i>Part Number</i>	<i>Qty.</i>	<i>Description</i>
1	138-7140	1	Seal Kit
2	138-7141	1	Nut-Hex

<i>Ref.</i>	<i>Part Number</i>	<i>Qty.</i>	<i>Description</i>
3	138-7142	1	Head-Cylinder
4	138-7143	1	Piston

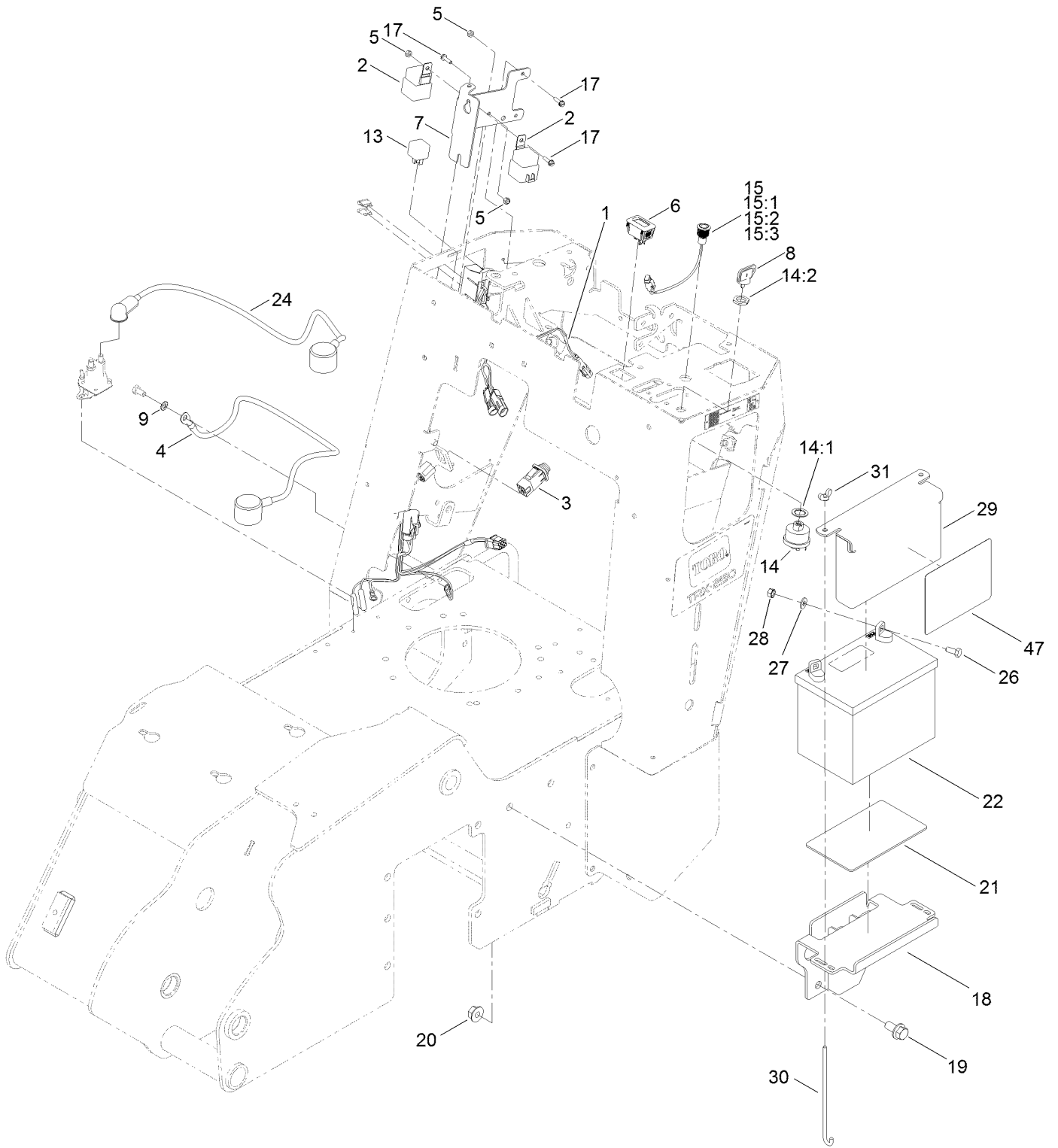
Handle Control Assembly



Handle Control Assembly (continued)

<i>Ref.</i>	<i>Part Number</i>	<i>Qty.</i>	<i>Description</i>	<i>Ref.</i>	<i>Part Number</i>	<i>Qty.</i>	<i>Description</i>
1	139-1303-03	1	Handle-Traction, LH	19	3272-4	1	Pin-Cotter
2	139-1306	1	Lever-Lift	20	95-4256	1	Spring-Compression
3	137-7651	1	Lever-Auxiliary	21	3230-23	2	Screw-CARR
4	137-7649	1	Lever-Drive, Chain	24	139-1307	4	Grip
5	138-3168	1	Grip	26	107-3395	1	Washer-Hardened
6	112-2738	1	Spring-Torsion	27	139-1305-03	1	Handle-Traction, RH
7	233-21	1	Knob	28	139-1314	2	Damper
8	3296-42	1	Nut-Lock, NI	29	139-1321	2	Spring-Compression
9	3256-16	1	Washer-Flat	30	139-1323	2	Washer-Spcl
10	33114-035	4	Screw-HH	31	139-1299-03	1	Bracket-Damper
11	33024-00	4	Nut-Lock, NI	32	139-1316	1	Rod-Damper
12	256-257	1	Bushing-Nyliner	33	139-1315	2	Stud-Ball
13	138-3123-03	1	Plate-Bushing	34	3245-3	2	Screw-Set, Hs
14	322-3	2	Screw-HH	35	3218-1	2	Nut-Jam
15	104-8300	4	Nut-HF, NI	36	104-7201	4	Nut-HF
16	116-1393	2	Bushing	37	140-1122	2	Fitting-Clevis
17	138-3124	1	Bracket-Lever	38	3256-23	1	Washer-Plain
18	138-3127	1	Rod-Lockout				

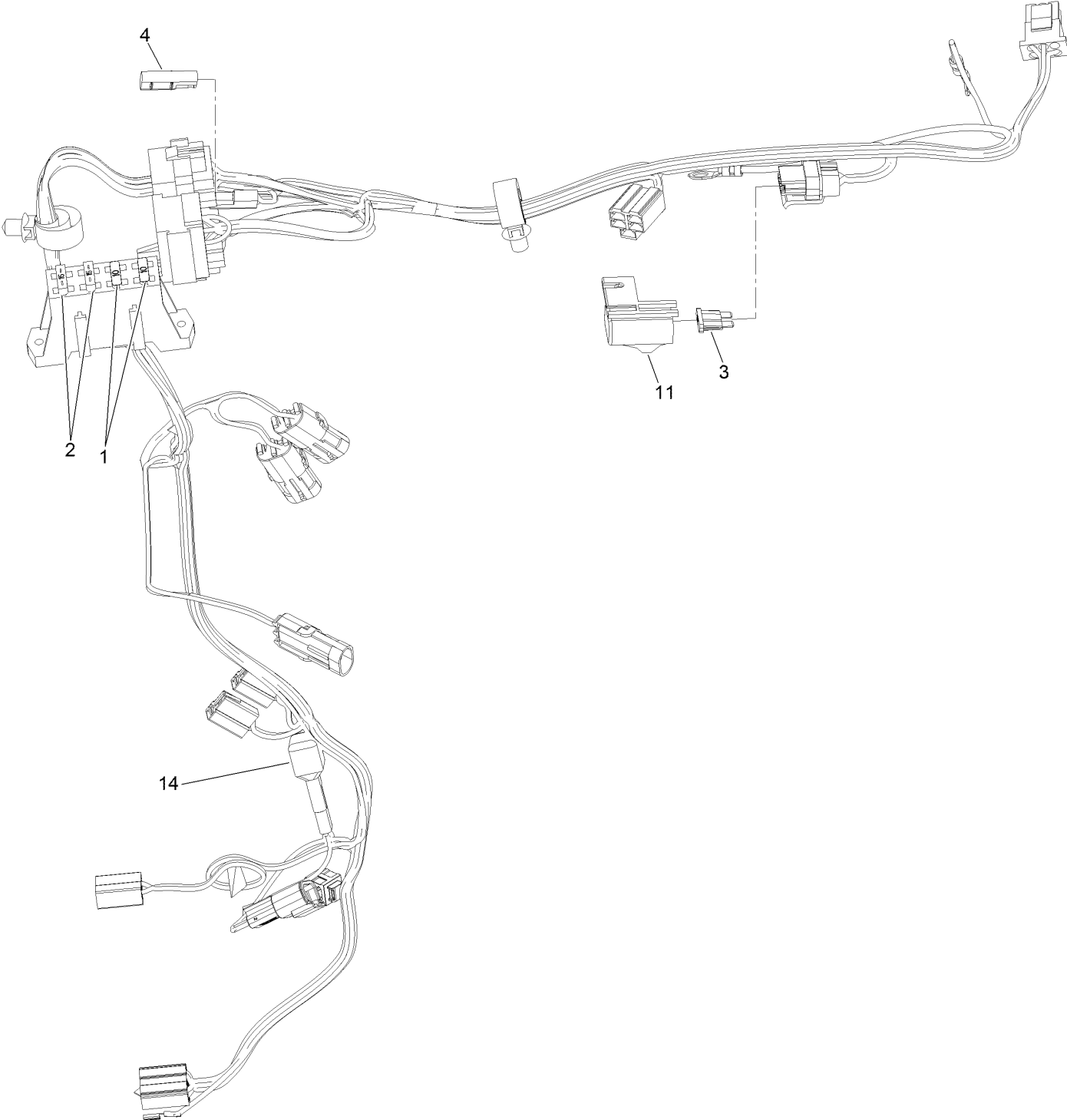
Electrical Assembly



Electrical Assembly (continued)

<i>Ref.</i>	<i>Part Number</i>	<i>Qty.</i>	<i>Description</i>	<i>Ref.</i>	<i>Part Number</i>	<i>Qty.</i>	<i>Description</i>
1	137-7624	1	Harness-Wire	15:2	122-0633	1	Washer-Locking
2	99-7430	2	Relay-Mini	15:3	122-0632	1	Nut-Fixing
3	100-1268	1	Switch-Plunger	17	32105-13	4	Screw-HWH
4	138-3133	1	Cable-Battery, Negative	18	138-3114-03	1	Tray-Battery
5	3296-2	4	Nut-Lock, NI	19	3234-6	2	Screw-HHF
6	120-2244	1	Hourmeter	20	32128-49	2	Nut-HHF
7	138-3104-03	1	Bracket-Electrical	21	62-4300	1	Pad-Skid, Anti
8	63-8360	1	Key-Ignition	22	104-8162	1	Battery
9	3255-7	1	Washer-Lock/EXT	24	138-3134	1	Cable-Battery, Positive
13	98-7249	1	Relay	26	322-3	2	Screw-HH
14	88-9830	1	Key Switch ASM	27	3256-2	2	Washer-Flat
14:1	3254-5	1	Washer-Lock	28	32149-1	2	Nut-Keps
14:2	218-461	1	Nut-HH	29	115-6621-03	1	Plate-Hold Down, Battery
15	122-0630	1	Red LED Indicator Lamp ASM	30	1-633651	2	Bolt-Holddown
15:1	122-0634	1	Gasket-LED	31	32103-22	2	Nut-Wing
				47	138-7155	1	Decal-Service

Wire Harness Assembly No. 137-7624



Wire Harness Assembly No. 137-7624 (continued)

<i>Ref.</i>	<i>Part Number</i>	<i>Qty.</i>	<i>Description</i>	<i>Ref.</i>	<i>Part Number</i>	<i>Qty.</i>	<i>Description</i>
1	218-578	2	Fuse-Blade, 10 Amp	4	116-0053	1	Cap-Plug
2	109355	2	Fuse-Blade, 15 Amp	11	32180-019	1	Cover-Fuse, Single
3	109103	1	Fuse-Blade, 30 Amp	14	121-8891	1	Resistor (1.6K Ohm)

Attachments and Accessories

For 22984 TRX-300 Trencher

Product Name	Model/Part
Crumber Kit	22477
24in Trencher Boom	22975
36in Trencher Boom	22976
48in Trencher Boom	22977
24in X 4in Soil Chain.....	22480
24in X 6in Soil Chain.....	22483
36in X 4in Soil Chain.....	22486
36in X 6in Soil Chain.....	22490
24in X 4in Combination Chain	22481
24in X 6in Combination Chain	22484
36in X 4in Combination Chain	22487
36in X 6in Combination Chain	22491
24in X 4in Rock Tooth Chain.....	22482
24in X 6in Rock Tooth Chain.....	22485
36in X 4in Rock Tooth Chain.....	22488
36in X 6in Rock Tooth Chain.....	22489
48in x 4in Soil Chain	22492
48in x 4in Combination Chain	22493
48in x 6in Soil Chain	22494
48in x 6in Combination Chain	22495
24in X 4in Bullet Chain.....	22496
24in X 6in Bullet Chain.....	22497
36in X 4in Bullet Chain.....	22498
36in X 6in Bullet Chain.....	22499
Bore Drive Attachment.....	22978
Backfill Blade	22980
8in Chain Conversion Kit for 36in Soil Chain	117-3480
Spark Arrestor Screen	94-8157

Notes:

Notes:

Notes:



Count on it.