



**Count on it.**

**Parts Catalog**

**Greensmaster® 3420 TriFlex®  
Traction Unit**

Model No. 04540—Serial No. 405700000 and Up



# Ordering Replacement Parts

To order replacement parts, please supply the part number, the quantity, and the description of each part desired.

## Understanding Reference Numbers

Each identified part in an illustration has a reference number. The reference number for a part also appears in the parts list, along with other information about the part.

This catalog uses two special reference number formats, one to indicate parts in a service assembly and another to indicate the quantity of a given part in an illustration.

## Service Assembly Reference Numbers

Parts in service assemblies have reference numbers in the form a:b. The a represents the reference number of the entire service assembly and the b represents a sequential number unique to each part within the service assembly.

For example, a wheel assembly might be identified by reference number 6, the tire by 6:1, the valve by 6:2, and the wheel by 6:3. When you order the assembly identified by reference number 6, you receive all parts identified by reference numbers 6:1, 6:2, and 6:3. However, you may also order any part individually. Reference numbers of this type appear in illustration and in parts lists.

## Reference Numbers Indicating Quantity

In an illustration, if a reference number indicates more than one part, the reference number has the form nX y. The n represents the quantity of the part, the X is the multiplication symbol, and the y represents the reference number.

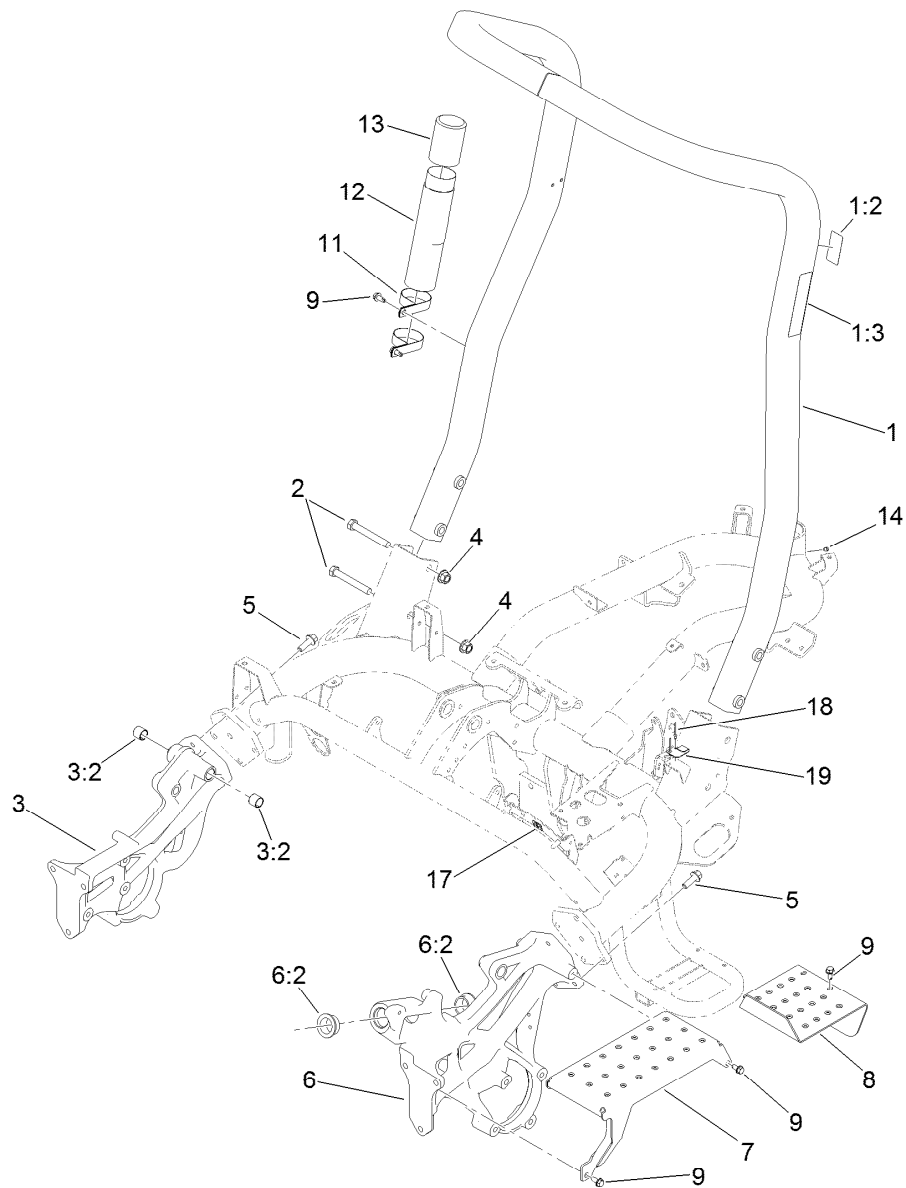
For example, in an illustration, the reference number 2X 37 means that two of the parts identified by reference number 37 are indicated.

# Contents

Roll-Over Protection System Assembly .....	5
Brake Cable Grommet Assembly .....	6
Frame Assembly .....	7
Platform Assembly .....	8
Right Hand Support Platform Assembly .....	9
Seatbase Assembly .....	10
Steering Arm and Adjuster Assembly .....	11
Brake Cable and Lever Assembly .....	12
Back Wheel Assembly .....	13
Hydraulic Cylinder Assembly No. 117-4480 .....	14
Front Wheel Assembly .....	15
Right Hand Brake Assembly No. 139-2722 .....	16
Left Hand Brake Assembly No. 139-2721 .....	17
Right Hand Wheel Motor Assembly No. 117-4302 .....	18
Left Hand Wheel Motor Assembly No. 117-4303 .....	19
Console and Reel Control Assembly .....	20
Traction Interface Control Assembly .....	21
Ignition, Throttle and Choke Control Assembly .....	22
Console Cable Routing Assembly .....	23
Engine and Exhaust Assembly .....	24
Radiator, Fuel Pump and Air Cleaner Assembly .....	26
Air Cleaner Assembly No. 95-5805 .....	27
Radiator, Air Hose and Fuel Line Assembly .....	28
Generator and Engine Frame Assembly .....	29
Generator/Controller Assembly No. 127-2580 .....	30
Generator Assembly No. 127-2579 .....	31
Generator Service Assembly No. 127-2578 .....	32
Fuel and Hydraulic Tank Assembly .....	33
Controller Assembly .....	34
Battery Assembly .....	35
Wire Harness Assembly .....	36
Pump Coupling Assembly .....	37
Hydraulic Pump Assembly No. 121-9558 .....	38
Neutral Centering Assembly .....	40
Traction Drive Hydraulic Line Assembly .....	41
Traction Drive Hose Routing Assembly .....	42
Lift Circuit Assembly .....	43
Steering Valve Assembly No. 114-4672 .....	45
Hydraulic Cylinder Assembly No. 119-8129 .....	46
Hydraulic Cylinder Assembly No. 119-8128 .....	47
Hydraulic Lift Manifold Assembly .....	48
Hydraulic Lift Manifold Assembly No. 125-5187 .....	49
Steering Circuit Assembly (1) .....	50
Steering Circuit Assembly (2) .....	51
Hydraulic Gear Pump Assembly No. 114-9958 .....	52
Steering Circuit Assembly (3) .....	53
Steering Circuit Assembly (4) .....	54
Suspension and Basket Assembly .....	55
Basket Assembly No. 132-9599 .....	56
Suspension Pin Position Assembly .....	57
Electric Motor and Bracket Assembly .....	58
Electric Reel Motor Assembly No. 127-2450 .....	59
Electric Motor Assembly .....	60
Electric Mow Battery Assembly .....	61

# Contents (continued)

Suspension A-Arm Assembly . . . . .	63
Suspension Crossarm Assembly . . . . .	64
Crankcase Assembly . . . . .	65
Oil Pan, Oil Pump and Dipstick Assembly . . . . .	66
Cylinder Head Assembly . . . . .	67
Gear Case and Oil Filter Cartridge Assembly . . . . .	68
Cylinder Head Cover Assembly . . . . .	69
Main Bearing Case Assembly . . . . .	70
Camshaft and Idle Gear Shaft Assembly . . . . .	71
Piston and Crankshaft Assembly . . . . .	72
Fuel Camshaft Assembly . . . . .	73
Idle Apparatus and Fuel Pump Cover Assembly . . . . .	74
Stop Solenoid and Speed Control Plate Assembly . . . . .	75
Injection Pump Assembly . . . . .	76
Governor Assembly . . . . .	77
Nozzle Holder and Glow Plug Assembly . . . . .	78
Nozzle Holder Assembly . . . . .	79
Alternator and Pulley Assembly . . . . .	82
Alternator Components Assembly . . . . .	83
Starter and Flywheel Assembly . . . . .	84
Starter Component Assembly . . . . .	85
Water Flange and Thermostat Assembly . . . . .	86
Water Pump and Water Pipe Assembly . . . . .	87
Valve and Rocker Arm Assembly . . . . .	88
Inlet and Exhaust Manifold Assembly . . . . .	89
Attachments and Accessories . . . . .	90



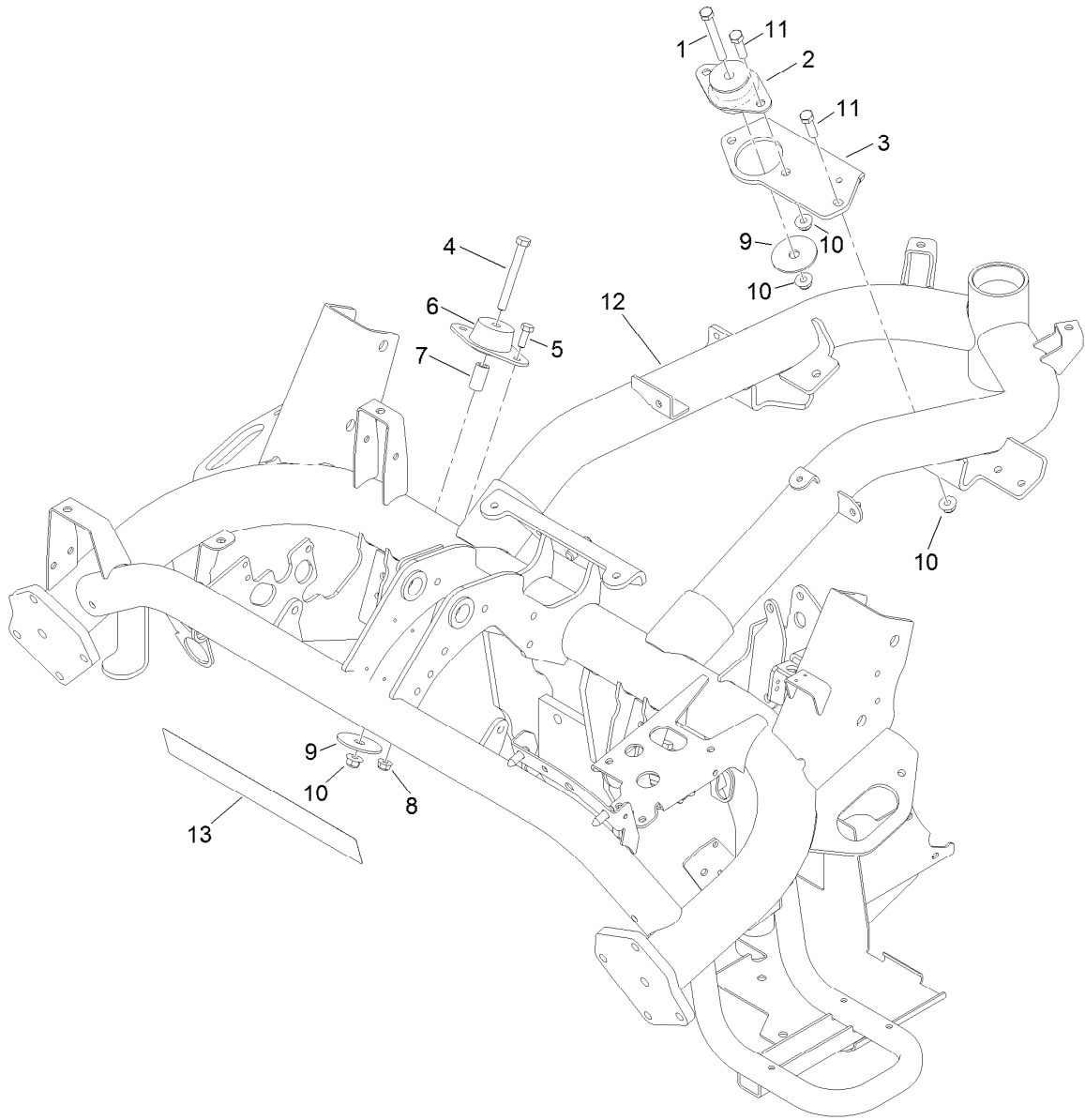
## Roll-Over Protection System Assembly

<i>Ref.</i>	<i>Part Number</i>	<i>Qty.</i>	<i>Description</i>	<i>Ref.</i>	<i>Part Number</i>	<i>Qty.</i>	<i>Description</i>
1	115-8206	1	ROPS Assembly	7	117-9051-01	1	Step
1:2	115-8199	1	Decal-ROPS	8	119-4468-01	1	Plate-Step
1:3	115-8226	1	Decal-ROPS	9	32104-32	9	Screw-HWH
2	325-35	4	Screw-HH	11	2412-133	2	Clamp-R
3	117-9023	1	Casting-Side, RH	12	104-7050	1	Tube-Manual
3:2	94-9609	2	Bushing-Straight	13	104-7048	1	Cap-Housing
4	99-5107	4	Nut-Lock	14	302-59	1	Plug-Threaded
5	117-9035	8	Screw-HHF	17	119-1730	1	Receptacle-Clip, Mini
6	117-9022	1	Casting-Side, LH	18	3269-32	2	Rivet-Pop
6:2	60-0080	2	Bushing	19	121-5865	1	Clip-Cover, Back



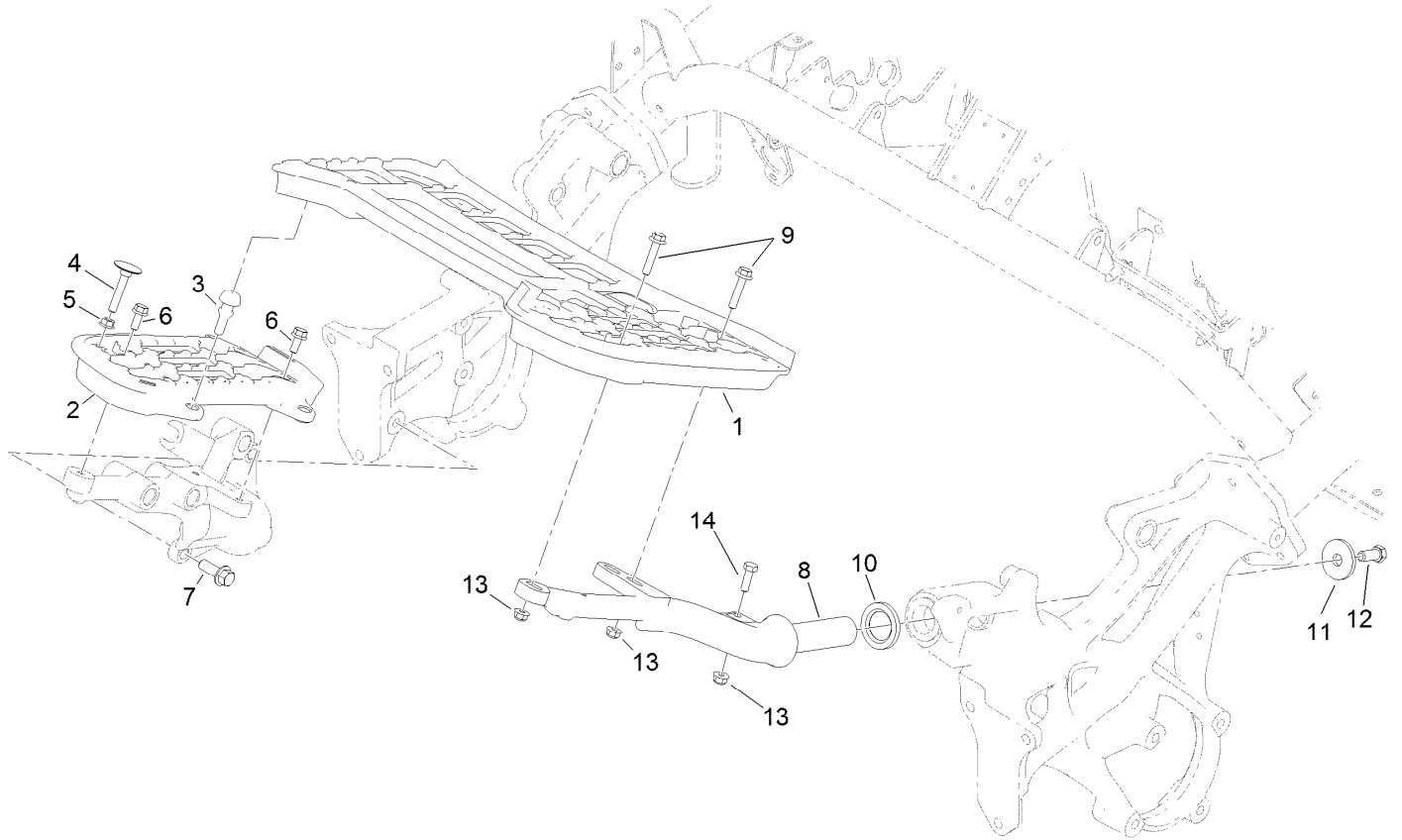
## Brake Cable Grommet Assembly

<i>Ref.</i>	<i>Part Number</i>	<i>Qty.</i>	<i>Description</i>
1	240-5	1	Grommet
2	98-8529	3	Grommet



## Frame Assembly

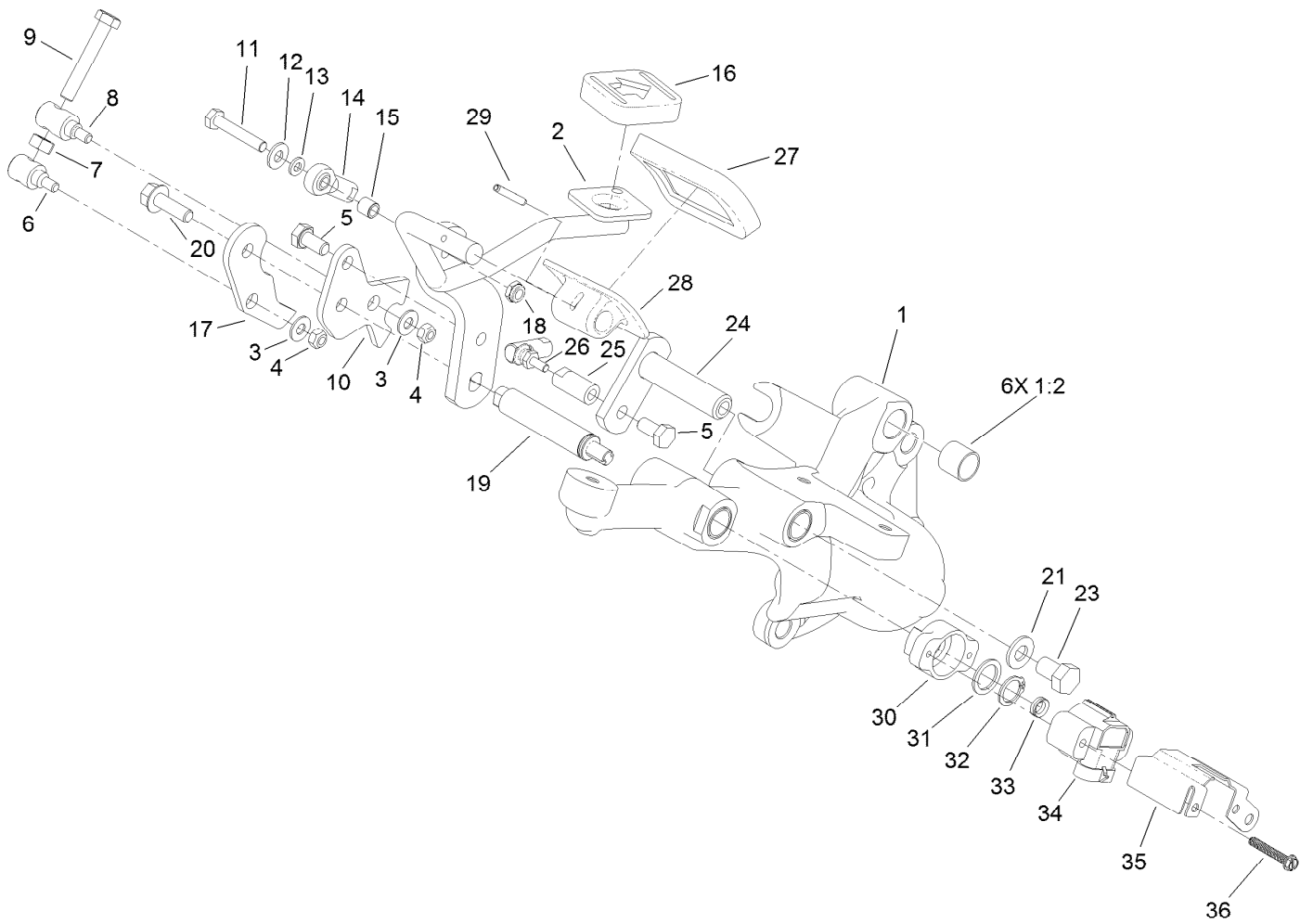
<i>Ref.</i>	<i>Part Number</i>	<i>Qty.</i>	<i>Description</i>
1	323-14	1	Screw-HH
2	131-1821	1	Mount-Engine
3	119-2134-01	1	Bracket-Mount, Rear
4	323-20	2	Screw-HH
5	322-4	4	Screw-HH
6	121-9076	2	Mount-Engine
7	110-4631	2	Tube-Spacer
8	104-8300	4	Nut-HF, NI
9	87-5100	3	Washer-Snubbing
10	104-8301	6	Nut-HF, NI
11	323-7	3	Screw-HH
12	133-8900-01	1	Frame
13	115-8196	1	Decal



## Platform Assembly

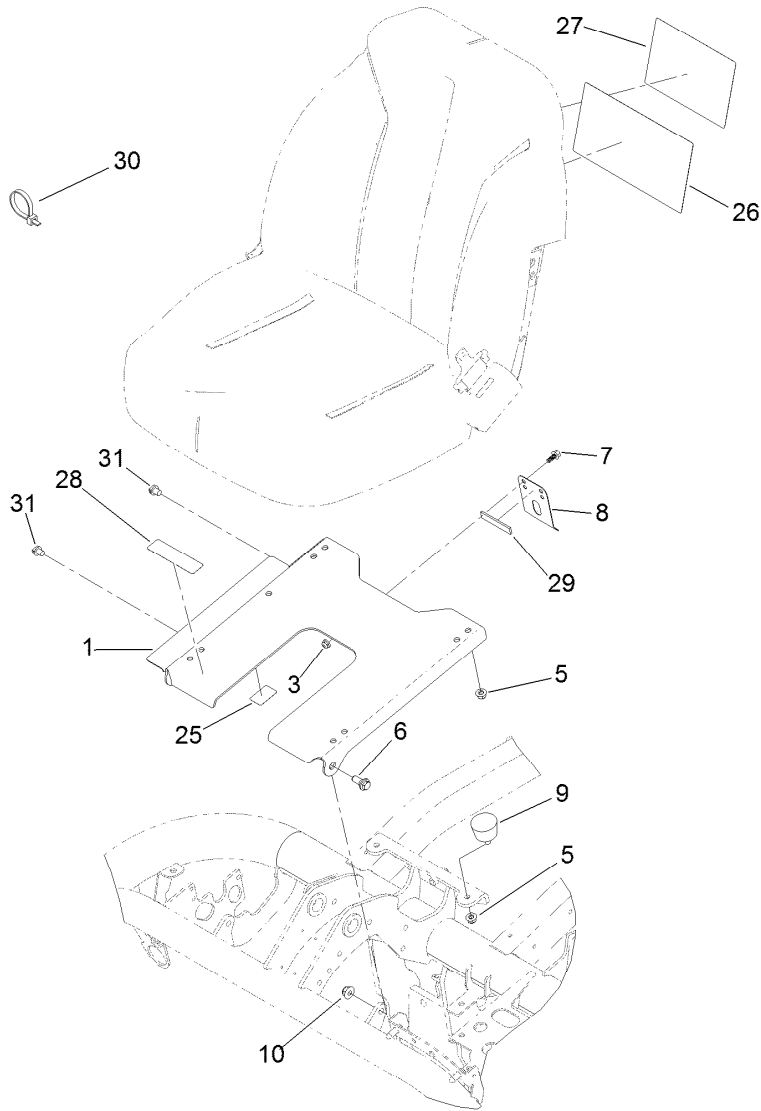
<i>Ref.</i>	<i>Part Number</i>	<i>Qty.</i>	<i>Description</i>
1	137-7768	1	Platform-LH
2	117-9008	1	Platform-RH
3	117-9072	2	Bumper-Rubber
4	115-8240	1	Screw-Elevator
5	32128-20	1	Nut-HF
6	3234-47	3	Screw-HHF
7	117-9035	3	Screw-HHF
8	117-9006-01	1	Support-Platform, LH
9	115-1794	3	Screw-HHF
10	94-8946	1	Washer-Thrust
11	84-1560	1	Washer-Thrust
12	324-4	1	Screw-HH
13	104-8300	4	Nut-HF, NI
14	322-5	1	Screw-HH





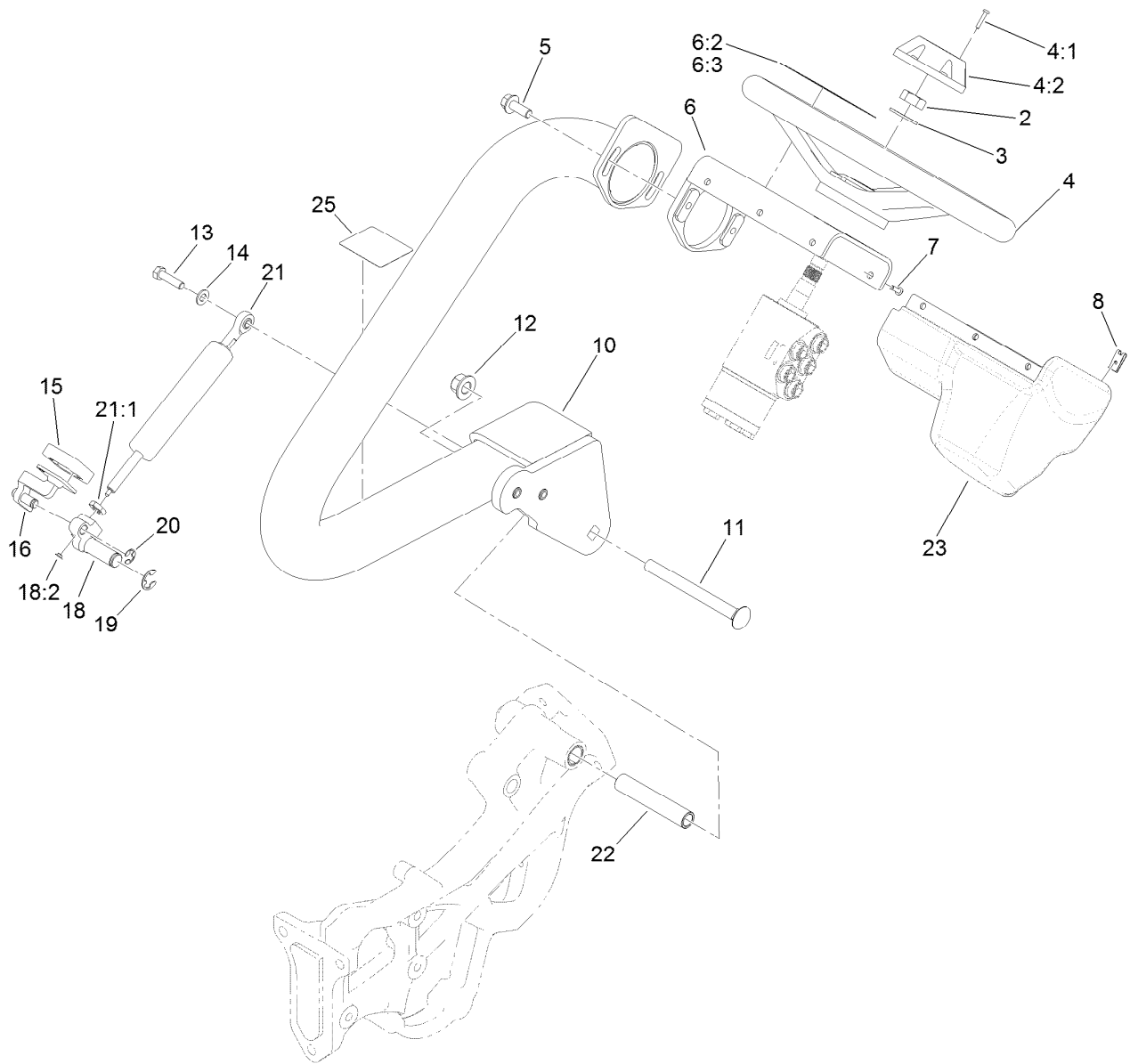
## Right Hand Support Platform Assembly

<i>Ref.</i>	<i>Part Number</i>	<i>Qty.</i>	<i>Description</i>	<i>Ref.</i>	<i>Part Number</i>	<i>Qty.</i>	<i>Description</i>
1	133-2313	1	Support-Platform, RH	18	3296-56	1	Nut-Lock, NI
1:2	256-311	6	Bushing-Split	19	131-3177	1	Shaft-Pedal
2	131-3179-01	1	Pedal-Traction	20	3234-29	1	Screw-HHF
3	3256-1	2	Washer-Flat	21	3256-24	1	Washer-Flat
4	33023-00	2	Nut-Lock	23	33115-016	1	Screw-HH
5	33114-016	2	Screw-HH	24	94-1300	1	Lock-Neutral
6	94-1374	1	Trunnion-Bracket, Mow	25	94-1386	1	Shaft-Pedal
7	33014-00	1	Nut-Hex	26	2411-38	1	Joint-Ball
8	94-1375	1	Trunnion-Bracket, Lock	27	74-9100	1	Pad-Pedal, Forward
9	94-3489	1	Screw-HH	28	117-9507	1	Pedal-Accelerator
10	131-3181	1	Bracket-Lock	29	32121-45	1	Pin-Spring
11	321-9	1	Screw-HH	30	131-3178	1	Adaptor-Sensor
12	3256-22	1	Washer-Flat	31	7-3590	1	Washer
13	33093-00	1	Washer-Flat	32	32151-62	1	Ring-Retaining
14	2411-41	1	Rod End-Ball Joint	33	131-3187	1	Seal-V-Ring
15	99-3545	1	Spacer	34	122-0055	1	Sensor Position
16	74-9110	1	Pad-Pedal, Reverse	35	131-3184	1	Shield-Sensor
17	131-3182	1	Bracket-Mow	36	692501	2	Screw-SHWH



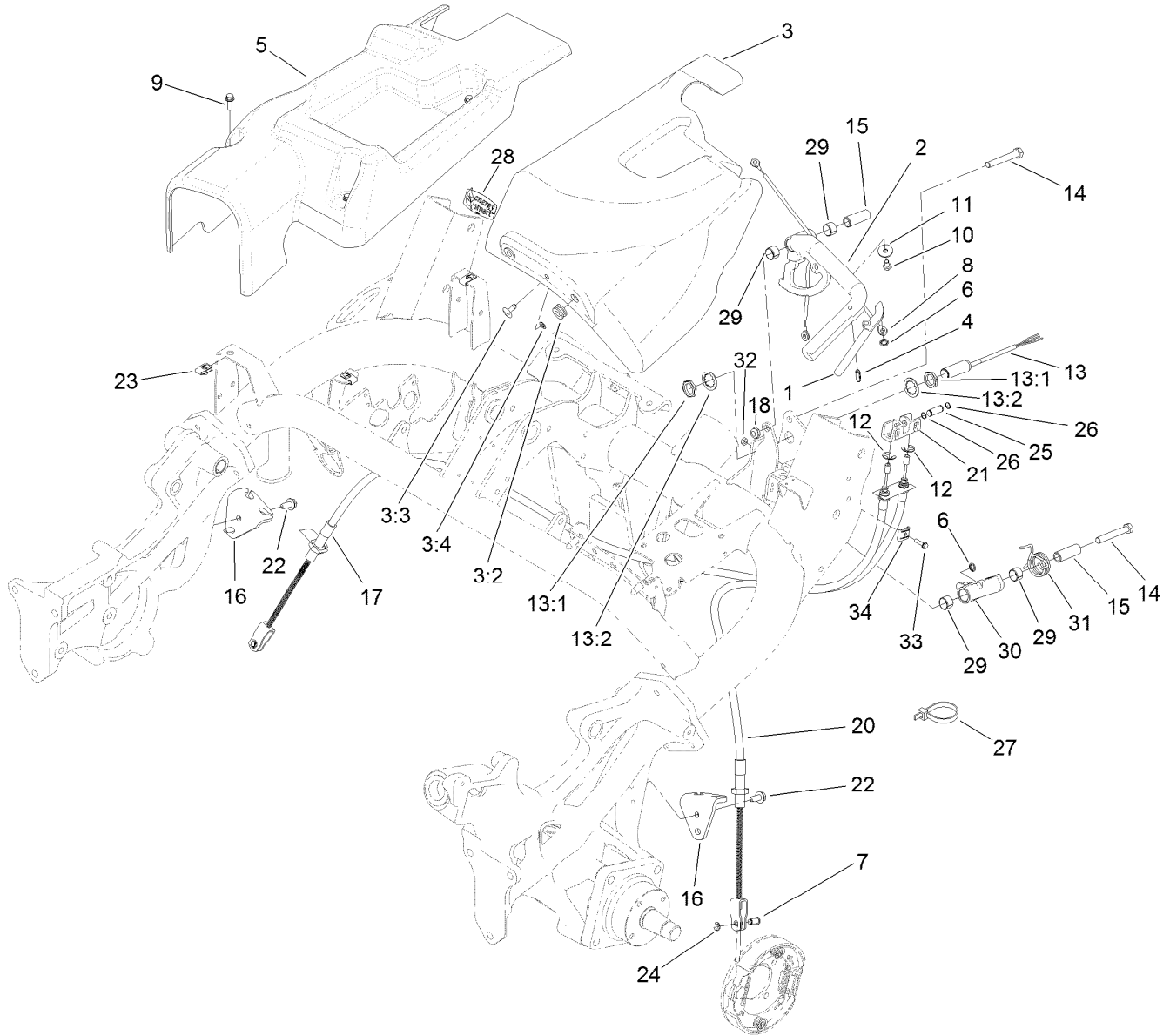
## Seatbase Assembly

<i>Ref.</i>	<i>Part Number</i>	<i>Qty.</i>	<i>Description</i>	<i>Ref.</i>	<i>Part Number</i>	<i>Qty.</i>	<i>Description</i>
1	136-8405-03	1	Plate-Seat	26	115-8174	1	Decal-Service, Italian
3	104-7201	2	Nut-HF	26	115-8175	1	Decal-Service, Portuguese
5	104-8300	2	Nut-HF, NI	26	115-8176	1	Decal-Service, Norwegian
6	94-7582	2	Bolt-Shoulder	26	115-8177	1	Decal-Service, Finnish
7	99-6810	2	Screw-HHF	26	115-8178	1	Decal-Service, Danish
8	66-2630	1	Latch-Seat	26	115-8179	1	Decal-Service, Dutch
9	68-3270	2	Bumper-Rubber	26	115-8180	1	Decal-Service, Japanese
10	104-8301	2	Nut-HF, NI	26	139-2728	1	Decal-Service, English
25	115-8203	1	Decal-Reference, Fuse (Radiator Fan)	27	115-8156	1	Decal-Speed, Clip
26	115-8170	1	Decal-Service, Spanish	28	133-8062	1	Decal-Arrestor, Spark
26	115-8171	1	Decal-Service, French	29	120-5753	1	Strip-Foam
26	115-8172	1	Decal-Service, German	30	3290-379	2	Tie-Cable
26	115-8173	2	Decal, Service, Swedish	31	32180-030	2	Clip-Tie



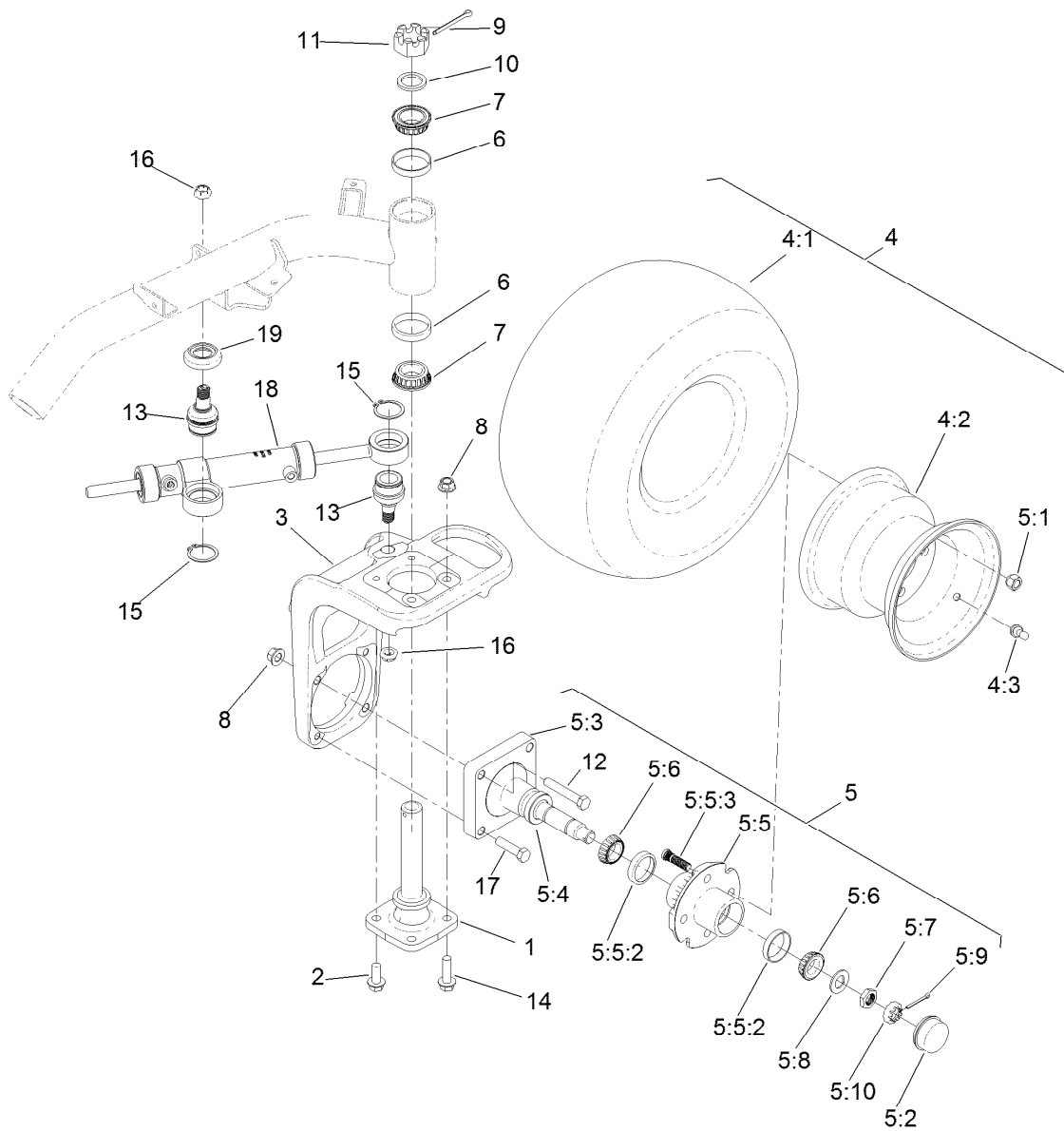
## Steering Arm and Adjuster Assembly

<i>Ref.</i>	<i>Part Number</i>	<i>Qty.</i>	<i>Description</i>	<i>Ref.</i>	<i>Part Number</i>	<i>Qty.</i>	<i>Description</i>
2	3296-33	1	Nut-Lock, NI	13	322-5	1	Screw-HH
3	3256-27	1	Washer-Flat	14	3256-23	1	Washer-Plain
4	75-0560	1	Steering Wheel ASM	15	74-9110	1	Pad-Pedal, Reverse
4:1	32144-21	1	Screw	16	132-9848	1	Lever
4:2	68-5140	1	Cap-Wheel, Steering	18	133-9030	1	Pivot Lever ASM
5	3234-42	2	Screw-HHF	18:2	133-8995	1	Bushing
6	136-8571	1	Mount-Steering	19	32120-19	1	E-Ring
6:2	136-8506	1	Decal-Danger	20	105-7004	1	E-Ring
6:3	136-8505	1	Decal-Danger, CE	21	133-9036	1	Cylinder-Gas
7	3274-39	6	Screw-HSBH	21:1	112-8617	1	Nut-Hex
8	3290-277	6	Nut-Speed	22	117-9002	1	Spacer
10	137-7892-01	1	Arm-Steering	23	119-9300	1	Cover-Valve, Steering
11	114-7723	1	Screw-CARR	25	119-9346	1	Decal-Arm, Steering
12	99-5107	1	Nut-Lock				



## Brake Cable and Lever Assembly

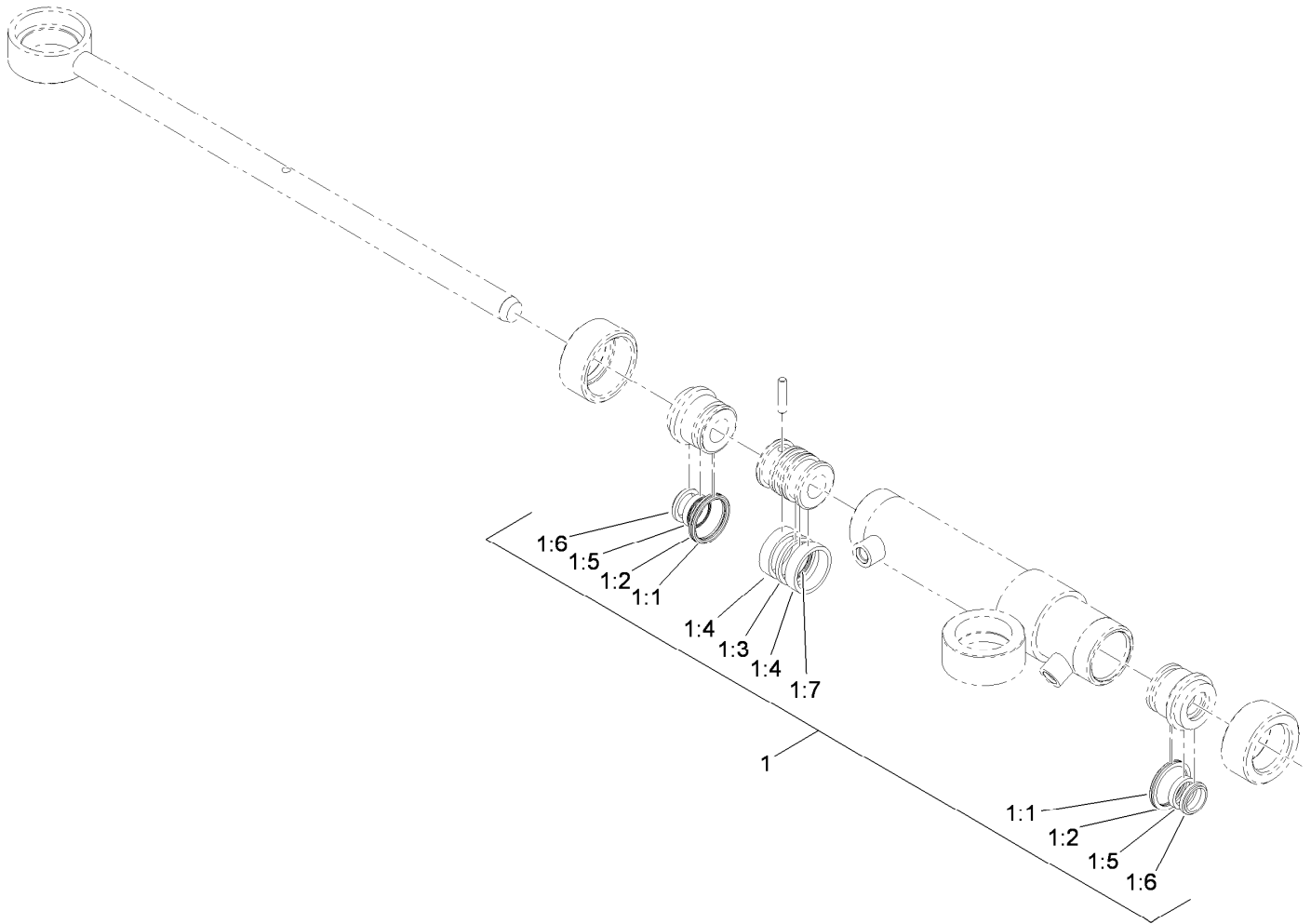
Ref.	Part Number	Qty.	Description	Ref.	Part Number	Qty.	Description
1	131-3003	1	Lever-Release	15	131-3017	2	Spacer
2	131-3024	1	Lever-Brake, Hand	16	133-8901	2	Bracket-Cable, Brake
3	131-3025	1	LH Cover ASM	17	131-1833	1	Cable-Brake, RH
3:2	119-1728	1	Stud-1/4 Turn	18	3296-59	2	Nut-Lock, NI
3:3	119-1729	1	Retainer-Stud	20	131-1834	1	Cable-Brake, LH
3:4	92-5972	2	Grommet-Rubber	21	131-3065	1	Equalizer-Cable
4	32121-24	1	Pin-Spring	22	32104-32	4	Screw-HWH
5	138-5029	1	Cover-Side, RH	23	107069	3	Clip
6	104-8310	2	Ring-Retaining	24	701197	2	E-Ring
7	109-6887	2	Pin-Clevis	25	131-3021	1	Pin
8	131-3004	1	Cable	26	32120-46	2	Ring-Retaining
9	115-5103	3	Screw-HHF	27	3290-379	1	Tie-Cable
10	321-2	1	Screw-HH	28	119-7580	1	Decal-Smart, Energy
11	3256-67	1	Washer	29	1-653600	4	Bushing
12	32120-47	2	Ring-Retaining, External	30	131-3058	1	Pawl-Brake
13	115-5300	1	Proximity Switch ASM	31	132-3833	1	Spring-Torsion
13:1	117-3207	2	Nut-Hex	32	3296-2	1	Nut-Lock, NI
13:2	117-3208	2	Washer-Lock, Internal Tooth	33	3290-126	1	Screw-HWH
14	323-12	2	Screw-HH	34	81-1690	1	Clamp-Cable



## Back Wheel Assembly

Ref.	Part Number	Qty.	Description	Ref.	Part Number	Qty.	Description
1	115-2657	1	Spindle-Steering	5:8	117-8259	1	Washer-Spindle
2	3234-38	2	Screw-HHF	5:9	3272-18	1	Pin-Cotter
3	117-4366-01	1	Base-Fork, Rear	5:10	93-0307	1	Nut-Lock, Retainer
4		1	Wheel And Tire ASM ●	6	115-9471	2	Bearing-Cup
4:1	120-2783	1	Tire	7	115-9472	2	Bearing-Cone And Seal
4:2	217-60	1	Rim	8	99-5107	4	Nut-Lock
4:3	232-27	1	Stem-Valve	9	3272-37	1	Pin-Cotter
5	119-4490	1	Wheel Spindle ASM	10	18-6320	1	Washer-Steering
5:1	242-50	4	Nut-Lug	11	32136-9	1	Nut-Hex, Slotted
5:2	241-119	1	Cap-Dust	12	325-12	2	Screw-HH
5:3	112-7173	1	Spindle	13	121-3605	2	Ball Joint
5:4	112-1690	1	Seal-Oil	14	3234-22	2	Screw-HHF
5:5	117-9093	1	Hub ASM	15	32151-104	2	Ring-Retaining, External
5:5:2	254-72	2	Bearing-Cup, Tapered	16	121-3611	2	Nut-Hex, Flextop
5:5:3	114-3918	4	Stud-Wheel	17	325-8	2	Screw-HH
5:6	254-92	2	Cone-Bearing, Outer	18	117-4480	1	HYD Cylinder ASM
5:7	117-8260	1	Nut	19	120-2026	1	Spacer-Cylinder

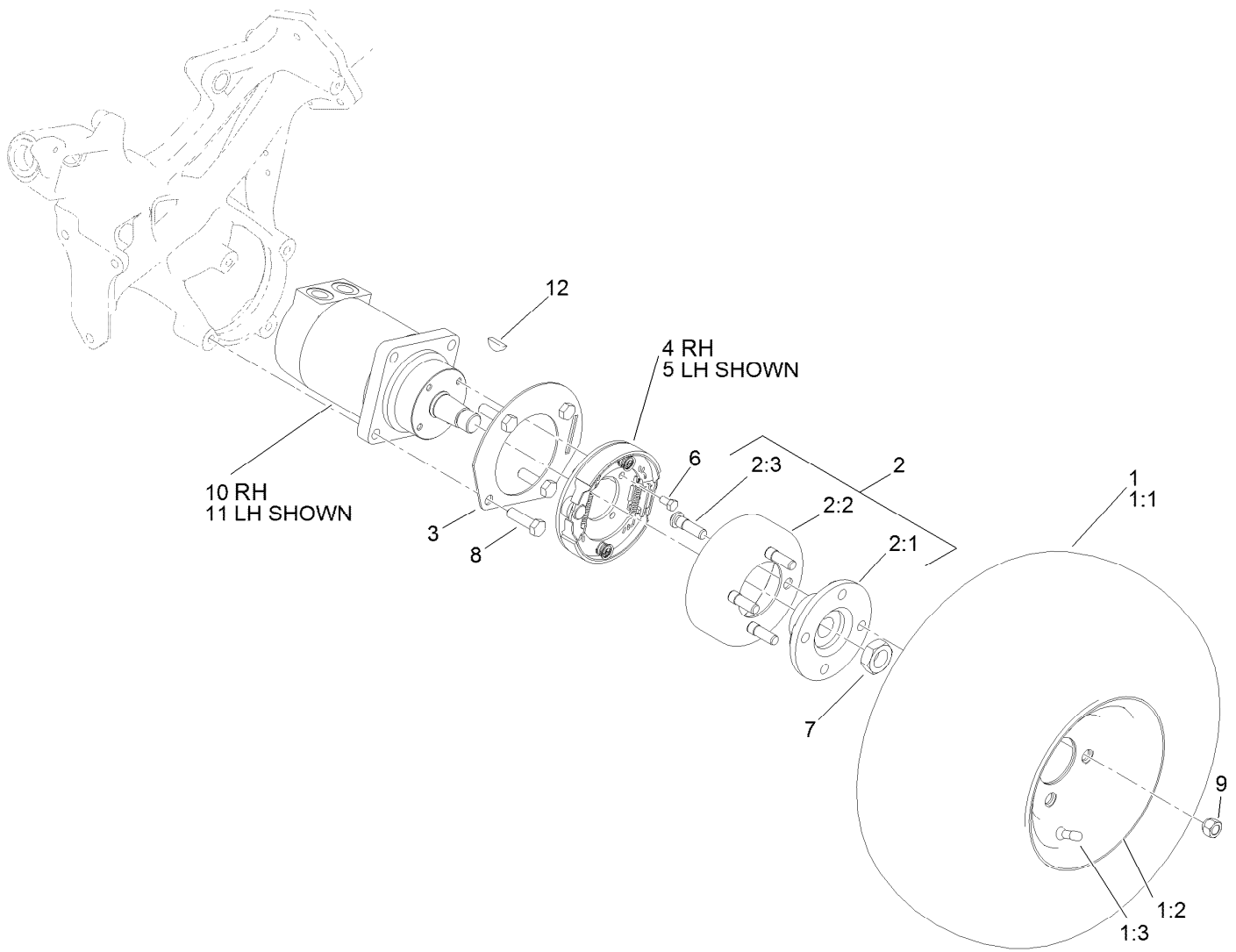
● Not serviced separately



## Hydraulic Cylinder Assembly No. 117-4480

<i>Ref.</i>	<i>Part Number</i>	<i>Qty.</i>	<i>Description</i>
1	119-7124	1	Kit-Seal
1:1		2	O-Ring ●
1:2		2	Ring-Backup ●
1:3		1	Seal-Psp ●
1:4		2	Ring-Wear ●
1:5		2	Seal-Bs ●
1:6		2	Seal-Dust ●
1:7		1	O-Ring ●

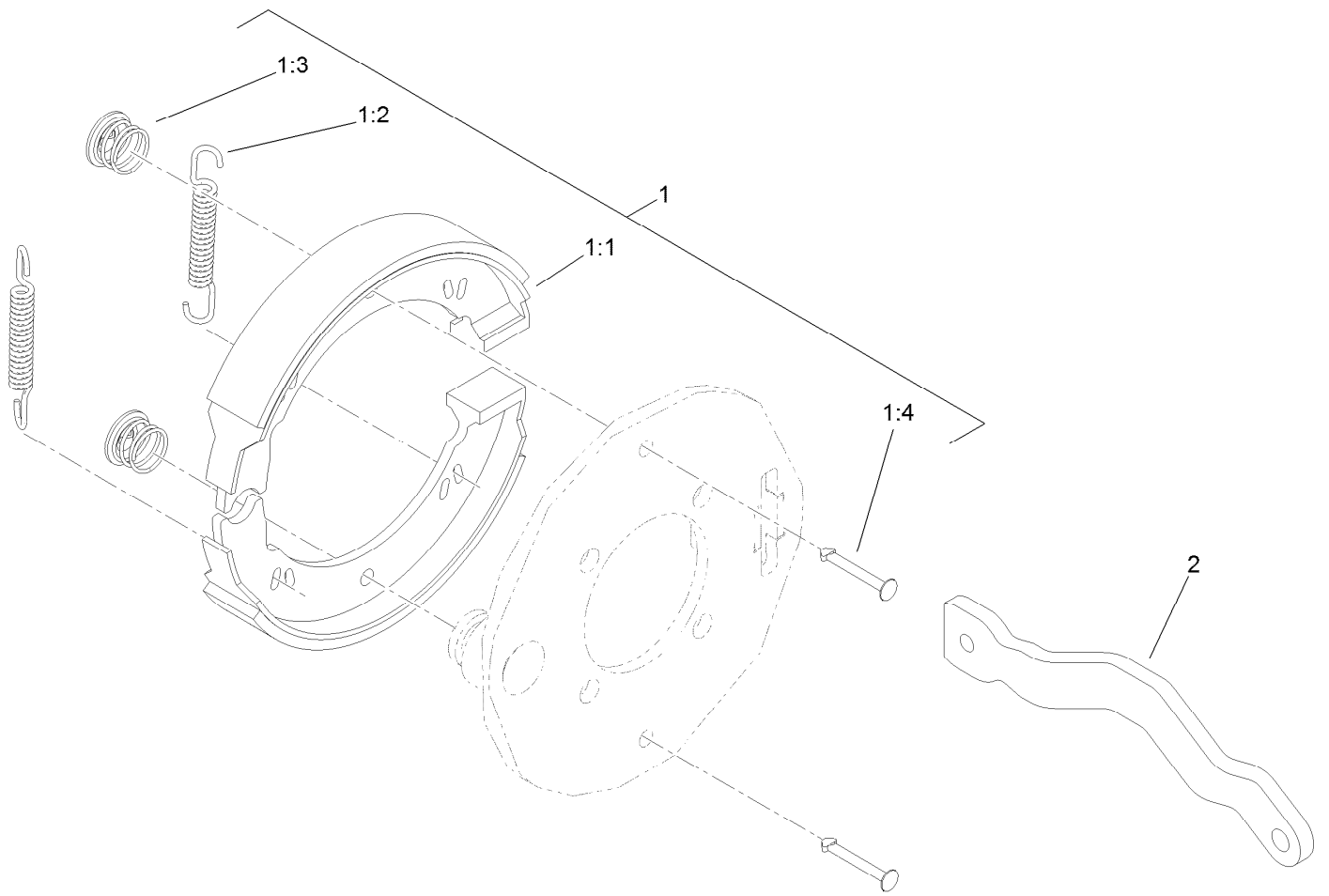
● Not serviced separately



## Front Wheel Assembly

Ref.	Part Number	Qty.	Description	Ref.	Part Number	Qty.	Description
1		2	Wheel And Tire ASM ●	4	139-2722	1	RH Brake ASM
1:1	120-2783	1	Tire	5	139-2721	1	LH Brake ASM
1:2	117-9032	1	Rim	6	322-2	8	Screw-HH
1:3	232-27	1	Stem-Valve	7	26-3790	2	Nut-Lock
2	115-2661	2	Brake Drum ASM	8	325-7	8	Screw-HH
2:1	115-2662-0P	1	Hub-Wheel [primed]	9	242-50	8	Nut-Lug
2:2	115-2663	1	Drum-Brake	10	117-4302	1	RH Wheel Motor ASM
2:3	85-6540	4	Stud-Drive	11	117-4303	1	LH Wheel Motor ASM
3	114-9998-03	2	Tab-Lever, Brake	12	3257-42	1	Key-Woodruff

● Not serviced separately

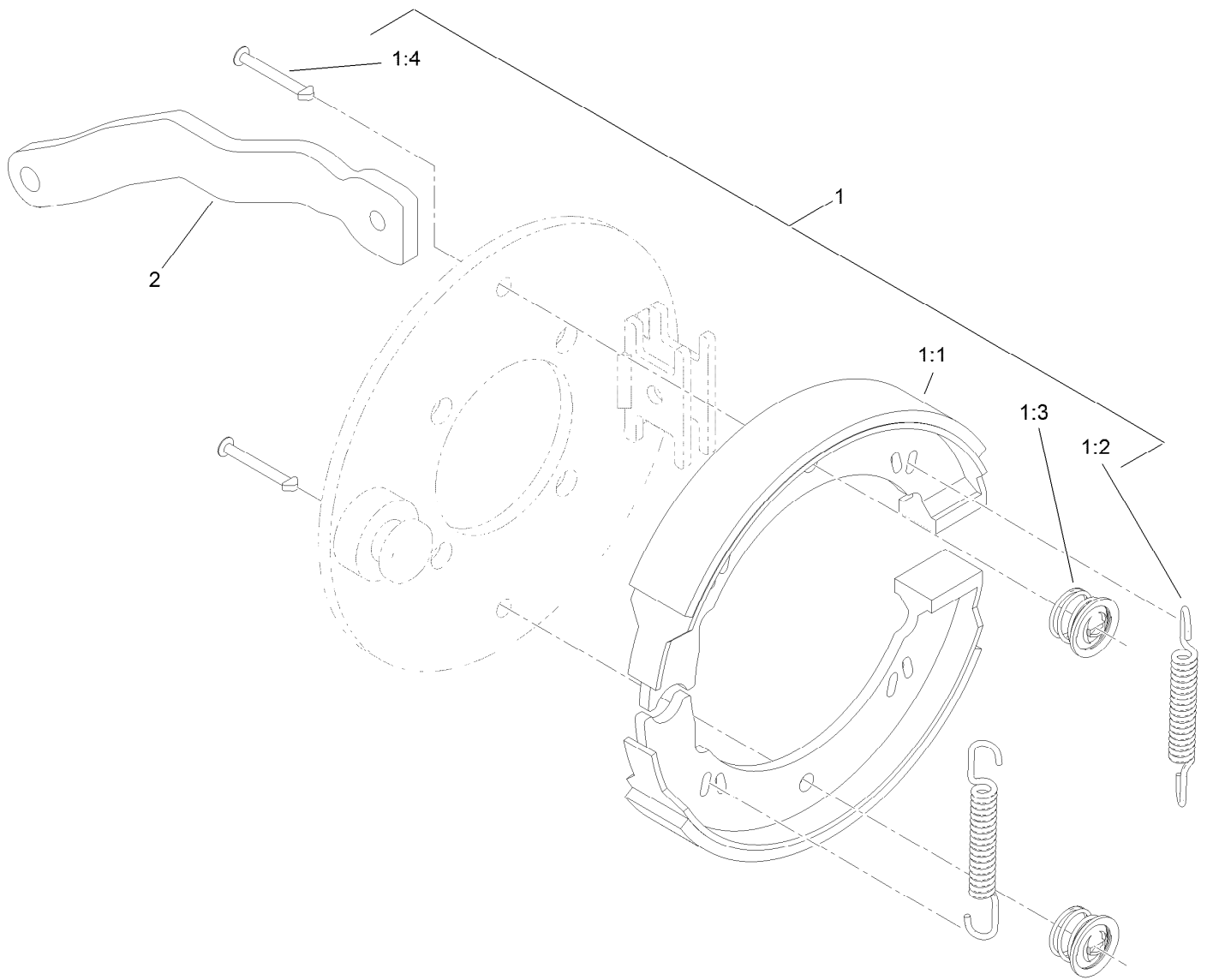


## Right Hand Brake Assembly No. 139-2722

Ref.	Part Number	Qty.	Description
1	139-2723	1	Kit-Brake
1:1		2	Shoe-Brake ●
1:2		2	Spring ●
1:3		2	Clip ●
1:4		2	Pin-Retainer ●
2	115-5789	1	Lever-Brake, RH

● Not serviced separately

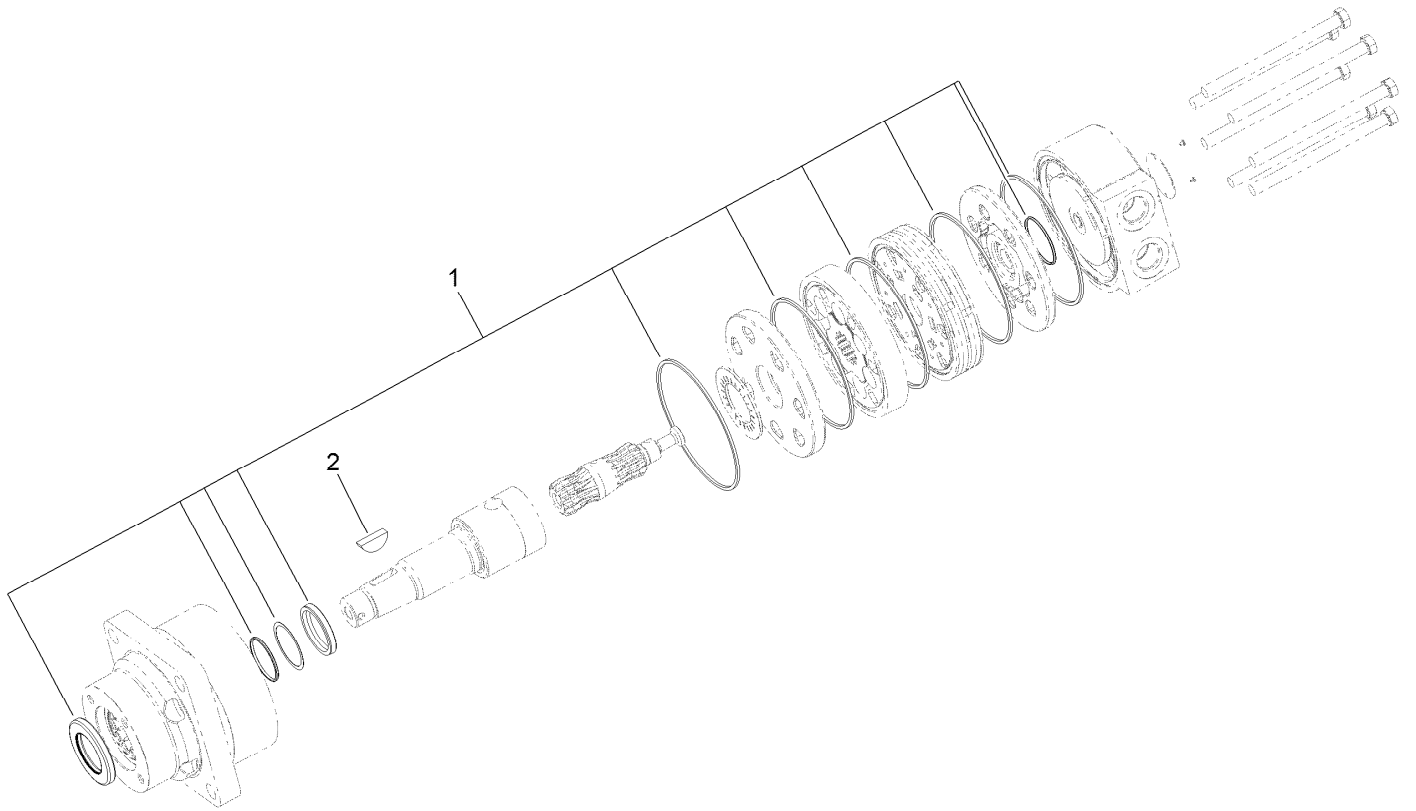




## Left Hand Brake Assembly No. 139-2721

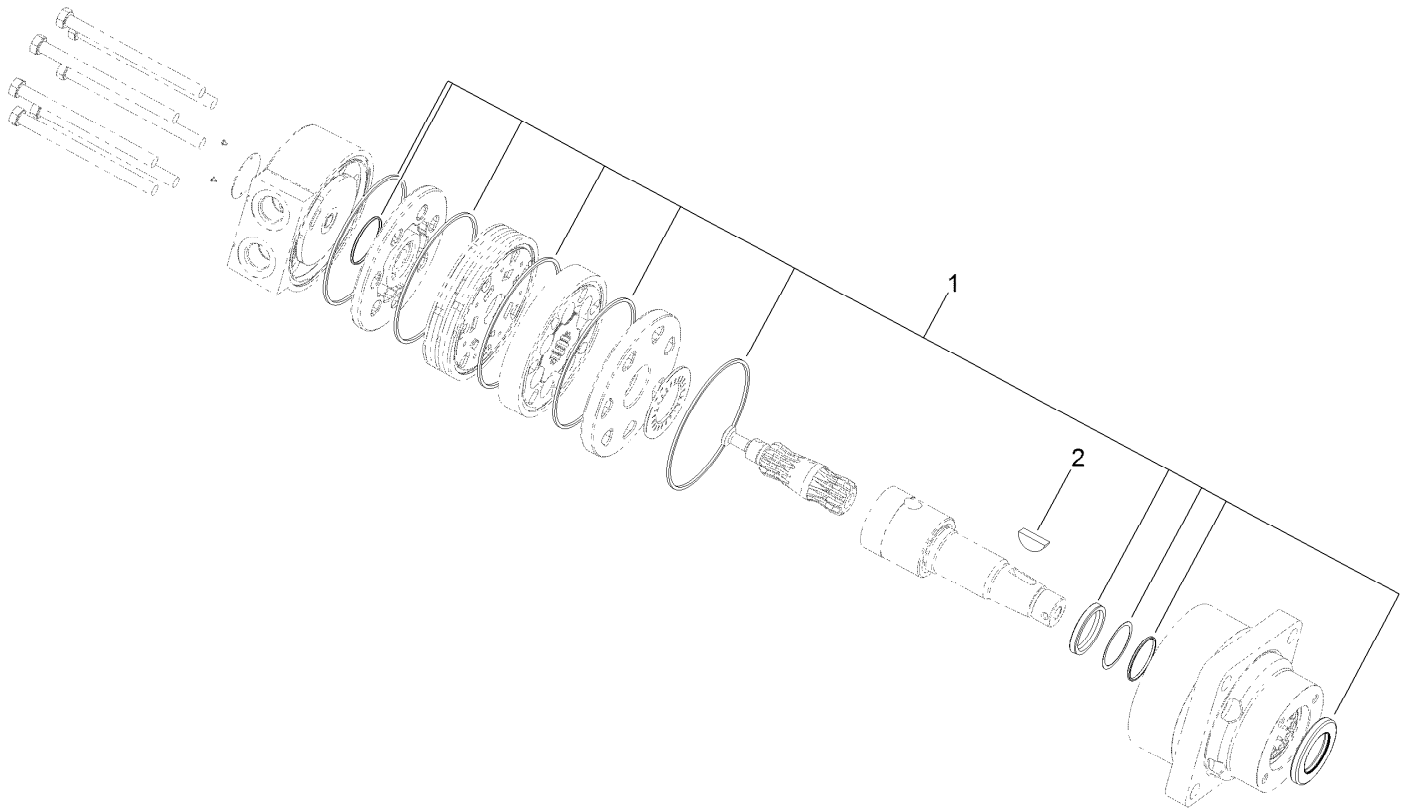
<i>Ref.</i>	<i>Part Number</i>	<i>Qty.</i>	<i>Description</i>
1	139-2723	1	Kit-Brake
1:1		2	Shoe-Brake ●
1:2		2	Spring ●
1:3		2	Clip ●
1:4		2	Pin-Retainer ●
2	115-2664	1	Lever-Brake, LH

● Not serviced separately



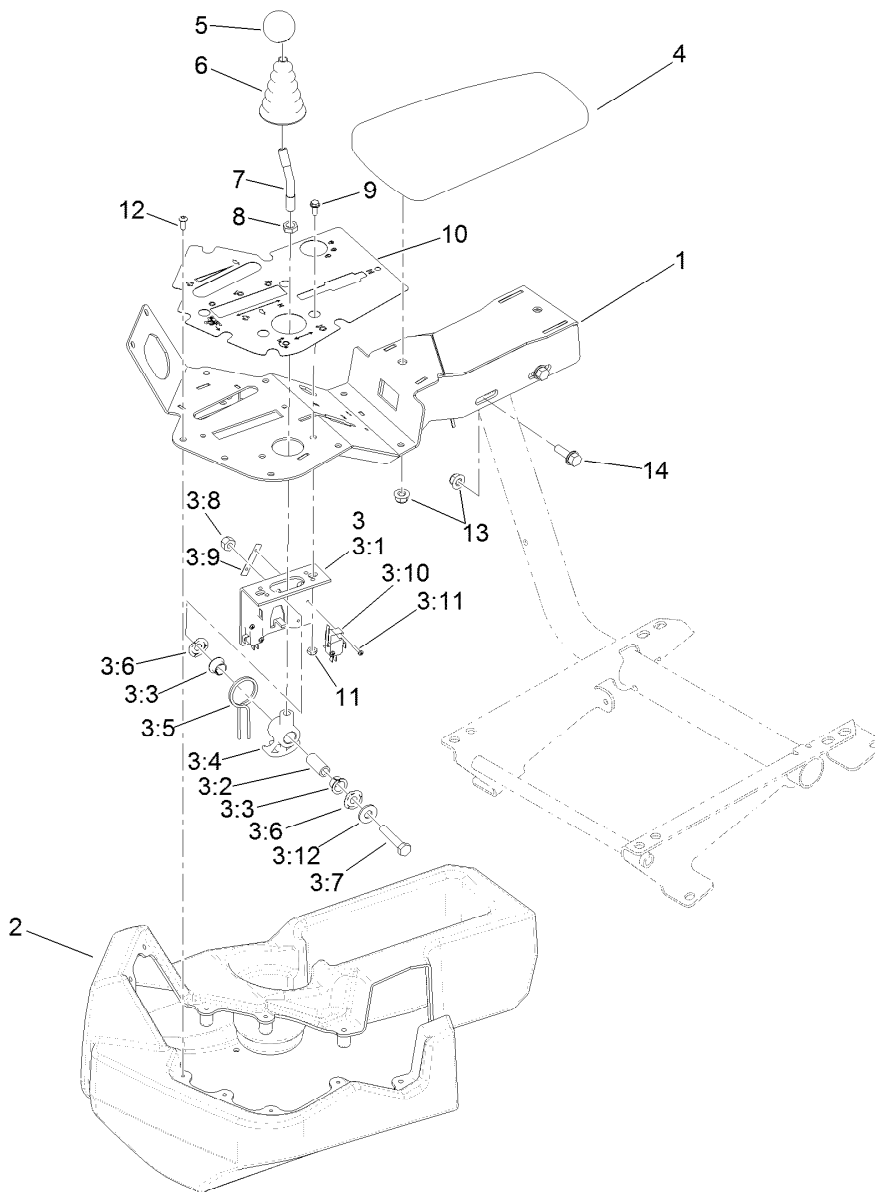
## Right Hand Wheel Motor Assembly No. 117-4302

<i>Ref.</i>	<i>Part Number</i>	<i>Qty.</i>	<i>Description</i>
1	94-8178	1	Seal Kit
2	3257-42	1	Key-Woodruff



## Left Hand Wheel Motor Assembly No. 117-4303

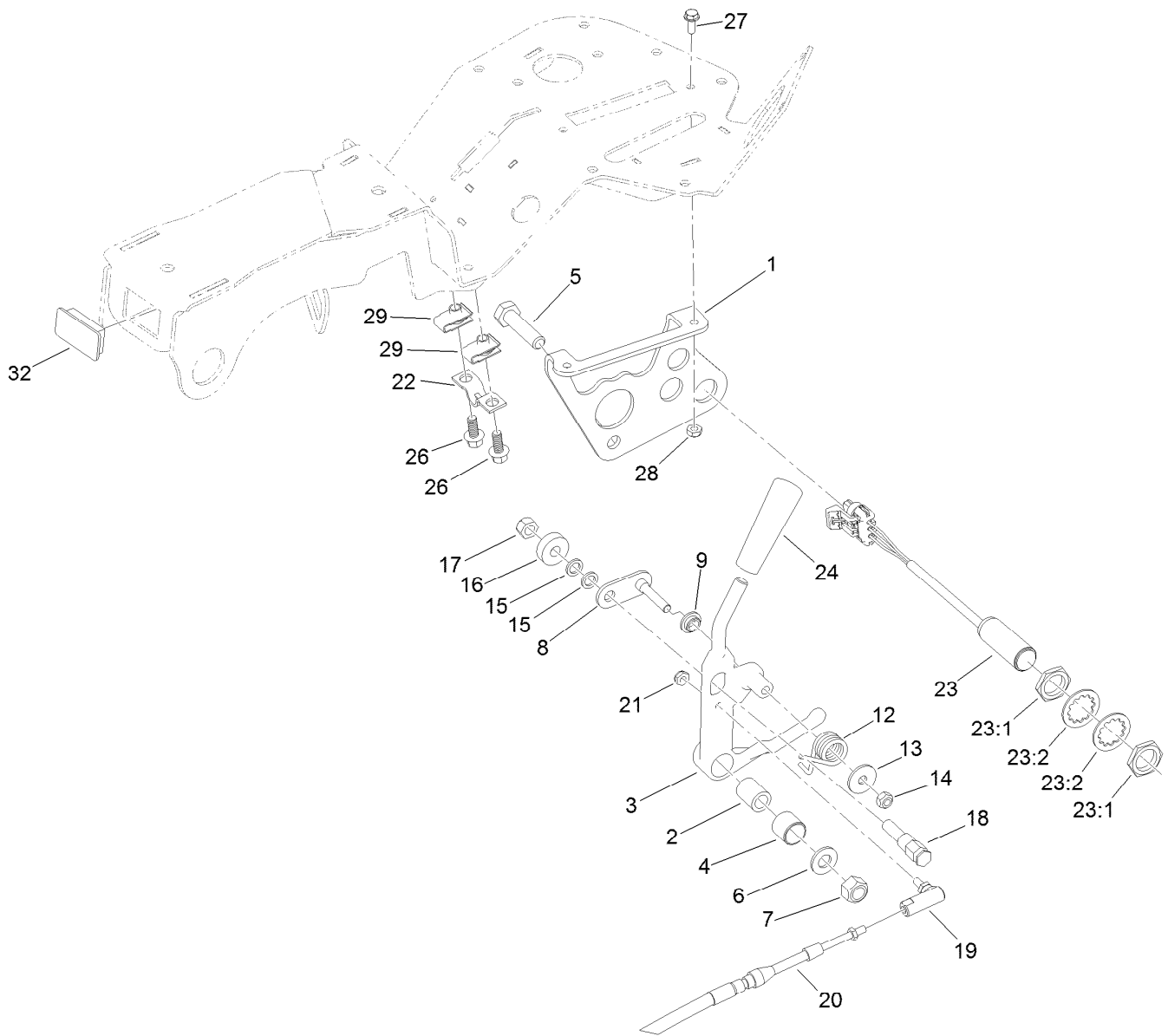
<i>Ref.</i>	<i>Part Number</i>	<i>Qty.</i>	<i>Description</i>
1	94-8178	1	Seal Kit
2	3257-42	1	Key-Woodruff



## Console and Reel Control Assembly

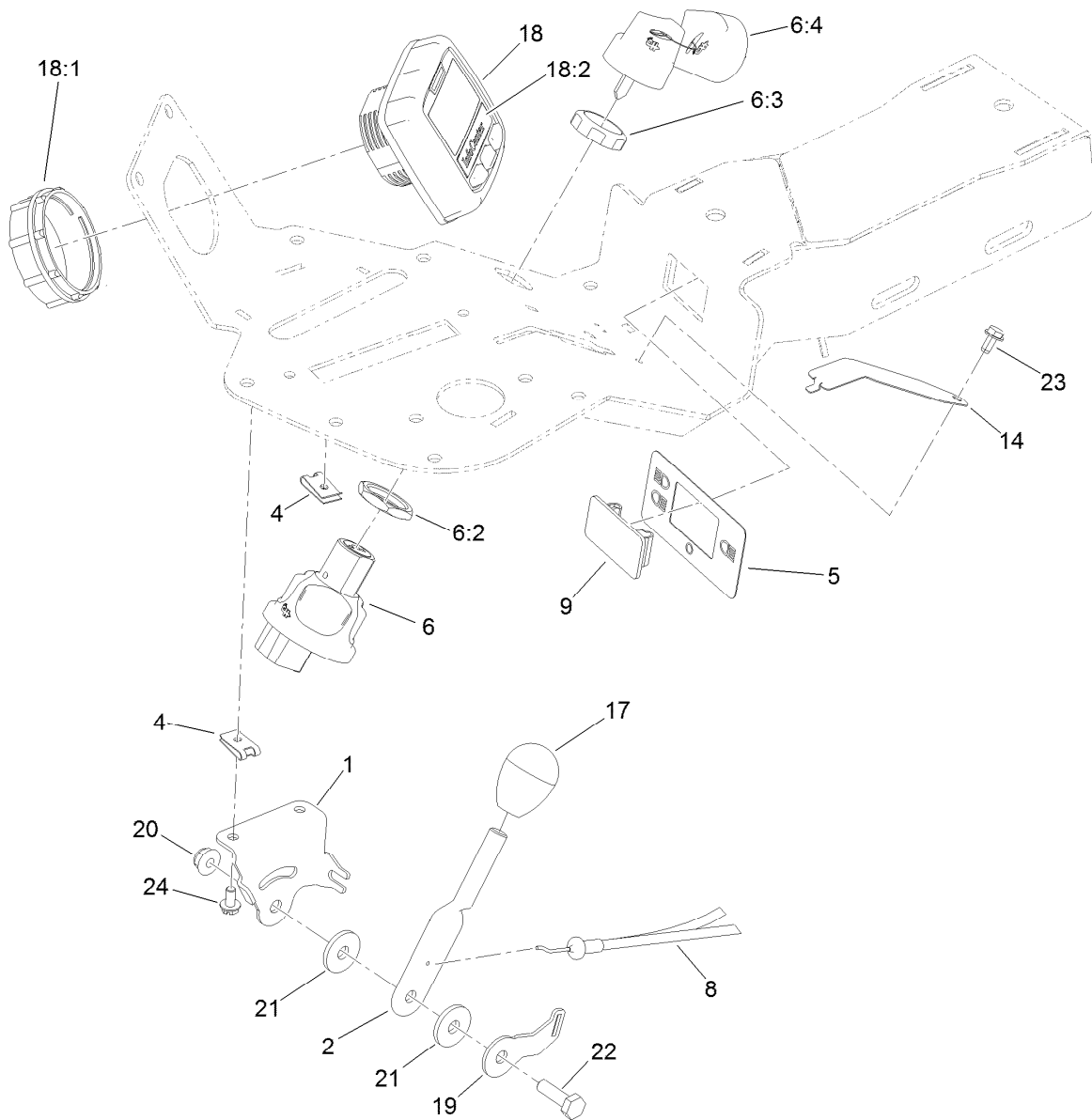
Ref.	Part Number	Qty.	Description
1	138-9051-03	1	Console ASM, Info Cntr, Welded
2	132-9955	1	Cover-Console
3	106-4167	1	Joystick Bracket ASM
3:1	115-5357-03	1	Bracket-Joystick
3:2	106-4192	1	Spacer
3:3	93-5547	2	Bushing-Nylon
3:4	105-7507	1	Hub-Pivot, Joystick
3:5	105-8289	1	Spring-Torsion
3:6	106-4193	2	Washer-Finger, Spring
3:7	322-9	1	Screw-HH
3:8	3296-29	1	Nut-Lock, NI
3:9	3290-354	2	Nut-Speed
3:10	108-6496	2	Switch (W/Boot)

Ref.	Part Number	Qty.	Description
3:11	95-3003	4	Screw-PPHTF
3:12	3256-3	1	Washer-Flat
4	108-7602	1	Rest-Arm
5	120-9752	1	Knob-Round, Yellow
6	93-5961	1	Boot-Lever
7	121-6681	1	Stem-Joystick
8	3218-3	1	Nut-Jam
9	3290-321	2	Screw-HWH
10	139-6493	1	Decal-Console
11	3296-12	2	Nut-Lock, NI
12	115-9830	8	Screw-HSBH
13	104-8300	4	Nut-HF, NI
14	3234-29	2	Screw-HHF



## Traction Interface Control Assembly

<i>Ref.</i>	<i>Part Number</i>	<i>Qty.</i>	<i>Description</i>	<i>Ref.</i>	<i>Part Number</i>	<i>Qty.</i>	<i>Description</i>
1	132-3822-03	1	Bracket	18	94-9617	1	Pin-Spring
2	94-1378	1	Tube-Pivot, Handle	19	2411-38	1	Joint-Ball
3	139-2659	1	Handle	20	132-9544	1	Cable-Lock, Neutral
4	136-8417	1	Bushing	21	3296-27	1	Nut-Lock, NI
5	33115-040	1	Screw-HH	22	93-2279	1	Clamp-Cable
6	3256-24	1	Washer-Flat	23	115-5300	2	Proximity Switch ASM
7	33025-00	1	Nut-Lock, NI	23:1	117-3207	2	Nut-Hex
8	120-3198	1	Roller-Pivot	23:2	117-3208	2	Washer-Lock, Internal Tooth
9	94-9619	1	Bushing	24	233-39	1	Knob-Control
12	94-9620	1	Spring-Torsion	26	99-6810	2	Screw-HHF
13	3256-67	1	Washer	27	3290-321	2	Screw-HWH
14	33023-00	1	Nut-Lock	28	3296-12	2	Nut-Lock, NI
15	75-5470	2	Spacer-Bearing	29	107069	2	Clip
16	251-259	1	Bearing-Ball	32	99-7420	1	Plug-Hole
17	33024-00	1	Nut-Lock, NI				



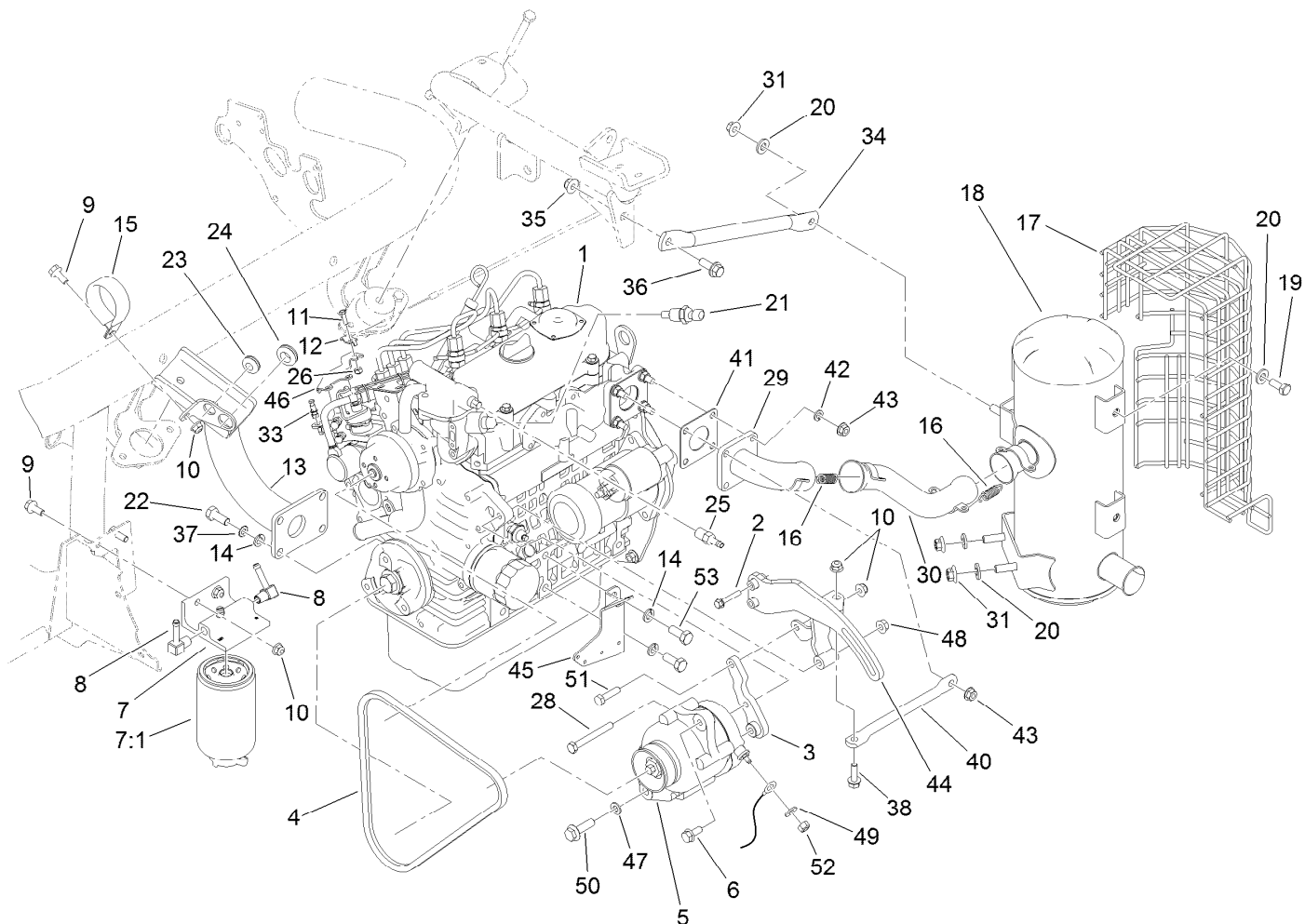
## Ignition, Throttle and Choke Control Assembly

<i>Ref.</i>	<i>Part Number</i>	<i>Qty.</i>	<i>Description</i>	<i>Ref.</i>	<i>Part Number</i>	<i>Qty.</i>	<i>Description</i>
1	125-3013	1	Bracket-Throttle	17	120-9751	1	Knob-Oval, Black
2	125-3014	1	Lever-Throttle	18	120-6310	1	LCD Display ASM
4	3290-277	4	Nut-Speed	18:1	120-4630	1	Nut-Display
5	131-2046	1	Decal-Light, Console	18:2	120-6311	1	Decal-Display
6	121-5159	1	Ignition Switch ASM	19	125-3015	1	Bracket-Clamp, Cable
6:2	121-5160	1	Nut-Hex	20	104-7201	1	Nut-HF
6:3	121-5161	1	Nut-Face	21	66-2921	2	Washer-Friction
6:4	121-5162	1	Set-Key, Ignition	22	321-5	1	Screw-HH
8	125-3017	1	Cable-Throttle	23	104-2065	1	Screw-HWH
9	99-7420	1	Plug-Hole	24	3290-144	2	Screw-SHWH
14	132-9592	1	Cover-Choke				



## Console Cable Routing Assembly

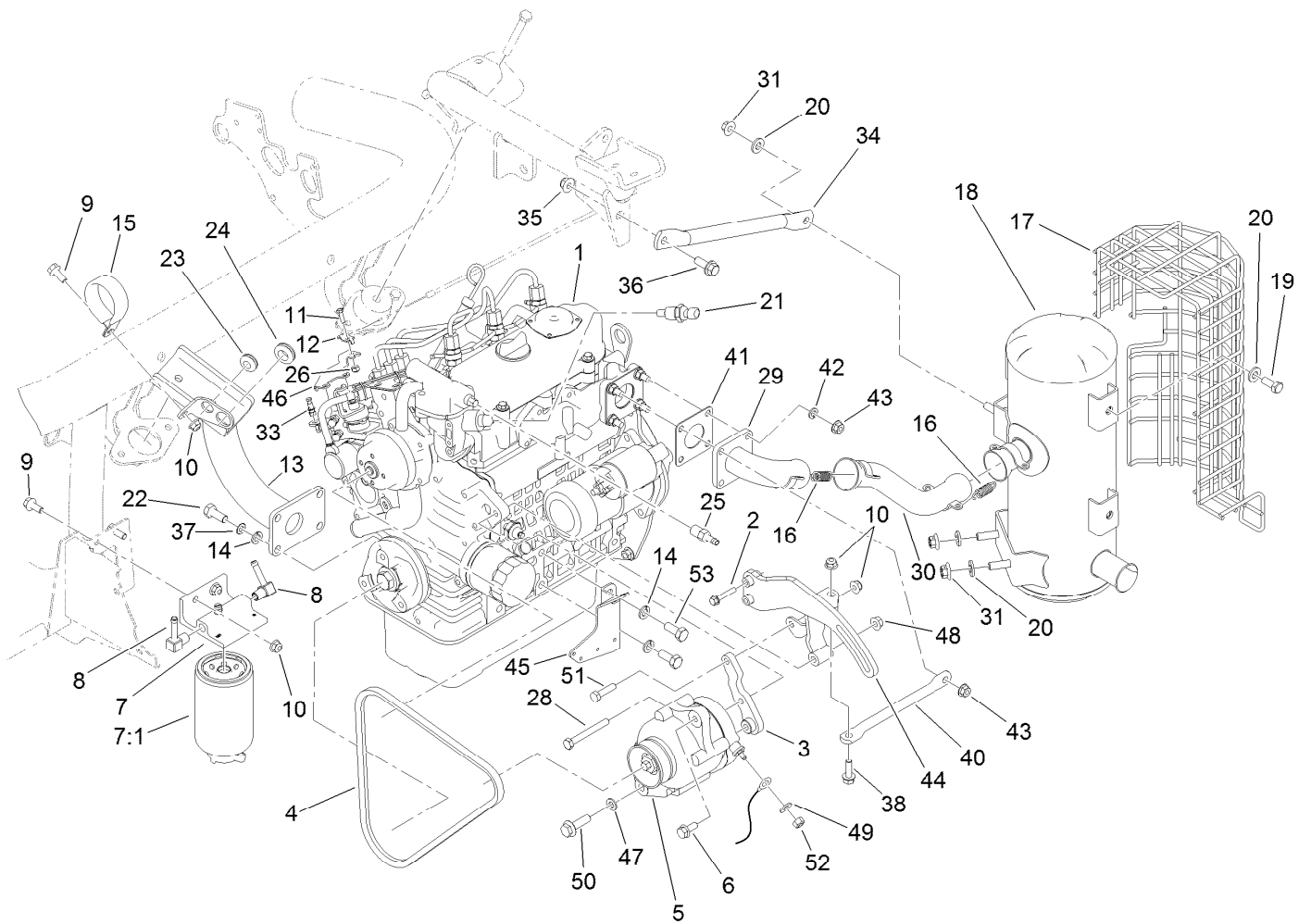
<i>Ref.</i>	<i>Part Number</i>	<i>Qty.</i>	<i>Description</i>
5	3290-379	4	Tie-Cable
6	120-1959	1	Clamp



## Engine and Exhaust Assembly

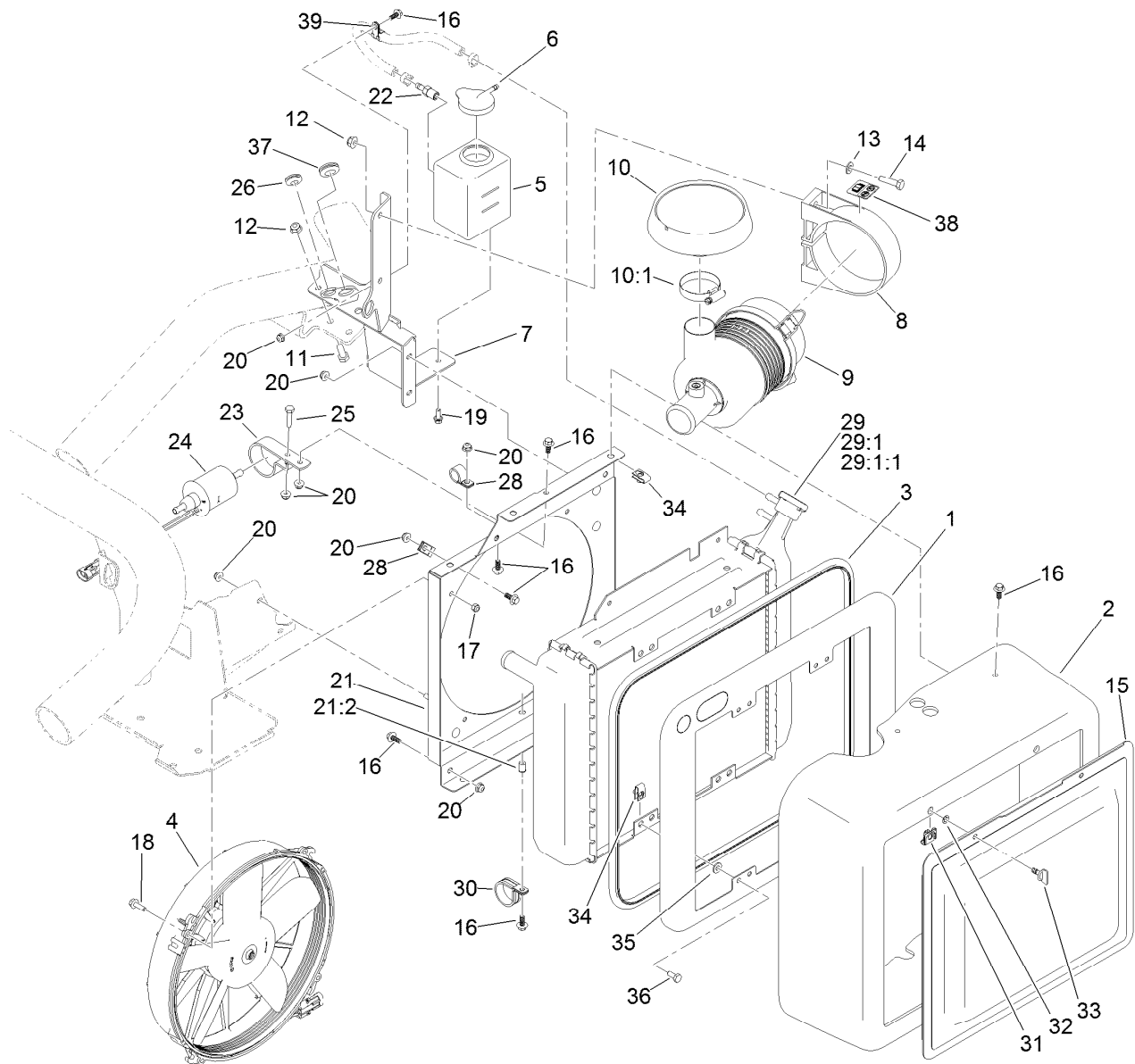
Ref.	Part Number	Qty.	Description	Ref.	Part Number	Qty.	Description
1	138-6902	1	Engine-Kubota, D902	21	119-4478	1	Sender-Temperature
2	33103-035	2	Screw-HHF	22	43-0090	4	Screw-HH
3	119-4428-0P	1	Alternator Brkt ASM [primed]	23	1-633630	1	Grommet
4	119-4486	1	Belt-V, Fan	24	237-124	2	Grommet
5	117-5541	1	60 Amp Alternator ASM	25	353-783	1	Fitting-STR
6	33104-020	1	Screw-HHF	26	3296-2	1	Nut-Lock, NI
7	110-9044	1	Separator-Filter	28	119-8194	1	Screw-HH
7:1	110-9049	1	Filter-Spin On	29	114-8009	1	Plate-Exhaust
8	353-707	2	Fitting-HYD, 90 DEG	30	114-8013	1	Pipe-Exhaust
9	3234-47	2	Screw-HHF	31	32128-19	4	Nut-HF
10	104-8300	5	Nut-HF, NI	33	108-5928	1	Swivel-Stop, Cable
11	3290-134	1	Screw	34	120-1956-03	1	Tube-Brace
12	613385	1	Clamp-Cable	35	104-8301	1	Nut-HF, NI
13	119-2128-03	1	Support-Engine	36	3234-42	1	Screw-HHF
14	48-9590	6	Washer-Lock	37	3255-8	1	Washer-Lock
15	115-9469	1	Clamp-R	38	3234-29	2	Screw-HHF
16	104-6478	4	Spring-Extension	40	120-1961-03	1	Tube-Brace
17	115-8718-03	1	Shield-Muffler	41	99-8343	1	Gasket-Muffler
18	120-1950	1	Muffler	42	3253-4	3	Washer-Lock
19	323-5	4	Screw-HH	43	117-1350	4	Nut-HF, Lock
20	100-4852	4	Washer-Hardened	44	119-8182-0P	1	Alt Brkt ASM, [primed]





## Engine and Exhaust Assembly (continued)

<i>Ref.</i>	<i>Part Number</i>	<i>Qty.</i>	<i>Description</i>	<i>Ref.</i>	<i>Part Number</i>	<i>Qty.</i>	<i>Description</i>
45	120-1964-03	1	Bracket-Harness	50	33105-035	1	Screw-HHF
46	125-3016	1	Bracket-Support, Throttle	51	322-6	1	Screw-HH
47	3256-23	1	Washer-Plain	52	33013-00	1	Nut-Hex
48	33004-00	1	Nut-HF	53	63-7790	2	Screw-Cap
49	3256-2	1	Washer-Flat				



## Radiator, Fuel Pump and Air Cleaner Assembly

Ref.	Part Number	Qty.	Description
1	117-9307-03	1	Panel-Seal, Radiator
2	117-9296	1	Shroud-Radiator
3	117-9308	1	Trim-Seal
4	115-5765	1	Fan
5	120-5260	1	Tank-Overflow
6	1-643164	1	Cap-Tank, Overflow
7	131-2099-03	1	Bracket
8	95-5806	1	Bracket-Mounting, Air Cleaner
9	95-5805	1	Air Cleaner ASM
10	136-7859	1	Rain Cap Kit
10:1	1-643009	1	Clamp-Hose
11	322-4	2	Screw-HH
12	104-8300	4	Nut-HF, NI
13	3256-23	2	Washer-Plain
14	322-6	2	Screw-HH
15	117-9311-03	1	Screen
16	99-6810	13	Screw-HHF
17	110-8451	4	Nut-Hex, NI
18	33103-020	4	Screw-HHF
19	3234-33	2	Screw-HHF
20	104-7201	13	Nut-HF

Ref.	Part Number	Qty.	Description
21	119-9038	1	Shroud ASM
21:2	32117-2	1	Nut-Clinch
22	353-783	1	Fitting-STR
23	110-8817	1	Bracket-Pump, Fuel
24	110-8806	1	Pump-Fuel
25	321-7	1	Screw-HH
26	1-633630	1	Grommet
28	2412-87	2	Clamp-Cable
29	117-9860	1	Radiator
29:1	115-7766	1	Cap-Radiator
29:1:1	106-6755	1	Decal-Cap, Radiator
30	119-9037	1	Clamp-R
31	119-1730	2	Receptacle-Clip, Mini
32	119-1729	2	Retainer-Stud
33	120-1957	2	Stud-Rapier
34	107069	8	Clip
35	3256-22	4	Washer-Flat
36	321-3	4	Screw-HH
37	237-124	1	Grommet
38	115-8155	1	Decal-Warning
39	2412-134	1	Clamp-R



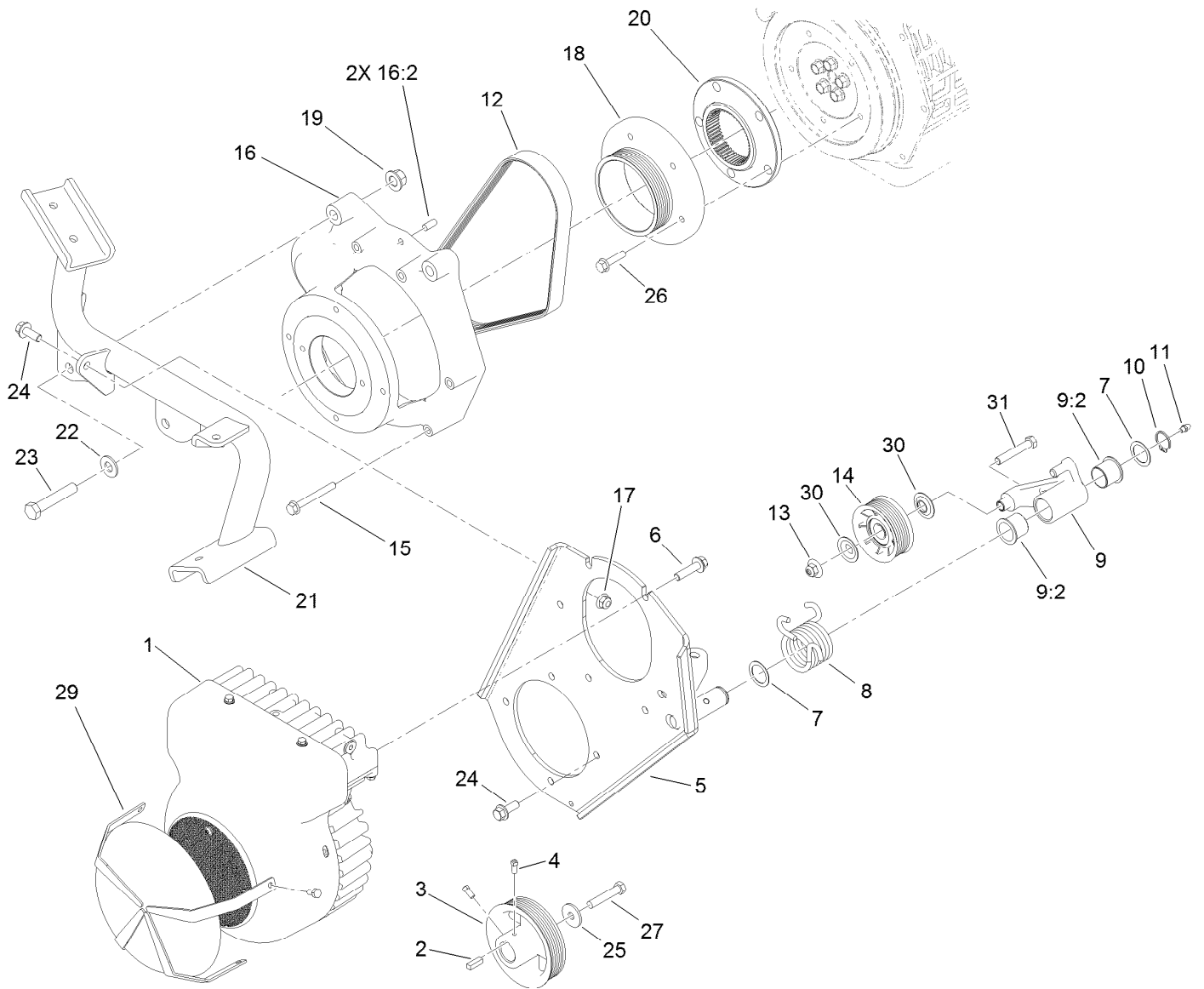
## Air Cleaner Assembly No. 95-5805

<i>Ref.</i>	<i>Part Number</i>	<i>Qty.</i>	<i>Description</i>
2	108-3811	1	Filter-Air
3	94-3652	1	Cover ASM
3:1	1-643283	2	Latch-Cleaner, Air
4	87-9400	1	Valve-Vacuator
5	285-17	1	Plug-Pipe



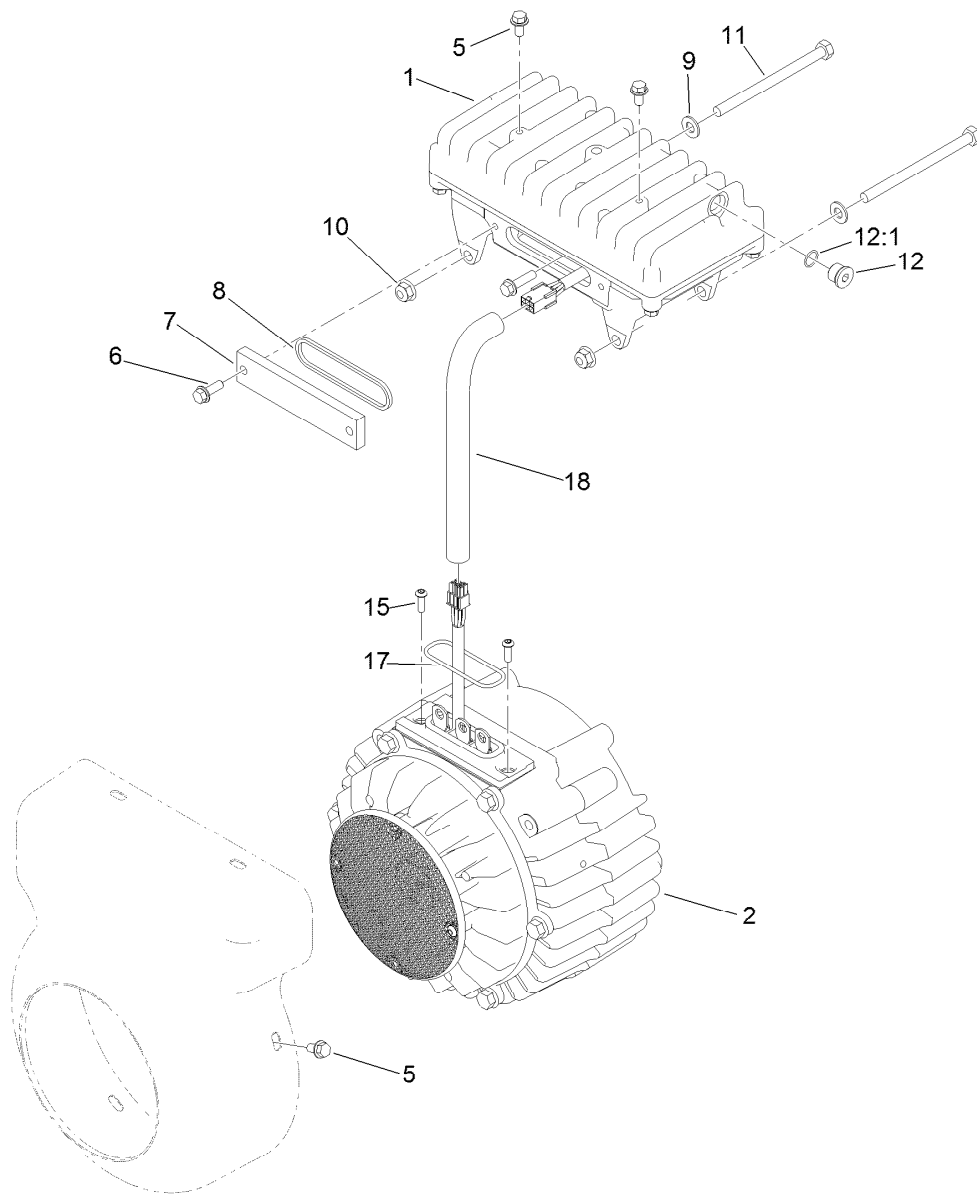
## Radiator, Air Hose and Fuel Line Assembly

<i>Ref.</i>	<i>Part Number</i>	<i>Qty.</i>	<i>Description</i>	<i>Ref.</i>	<i>Part Number</i>	<i>Qty.</i>	<i>Description</i>
1	117-9268	1	Hose-Radiator, Lower	10	119-6074	1	Hose-Fuel
2	117-9261	1	Hose-Radiator, Upper	11	119-8150	1	Hose-Fuel
3	117-4481	1	Hose-Air	12	240-4	1	Grommet-Rubber
4	2412-92	2	Clamp-Hose	13	119-8136	1	Hose-Fuel
5	2412-34	4	Clamp-Hose	14	110-4109	2	Hose-Fuel
6	110-4113	1	Hose-Fuel	15	110-6187	1	Hose-Fuel
7	2412-108	5	Clamp-Worm	17	119-3517	1	Hose-Fuel
8	92-2379	6	Clamp-Hose	18	120-1996	1	Fitting-STR
9	2412-146	3	Clamp-Hose	19	2412-80	1	Clamp-Hose



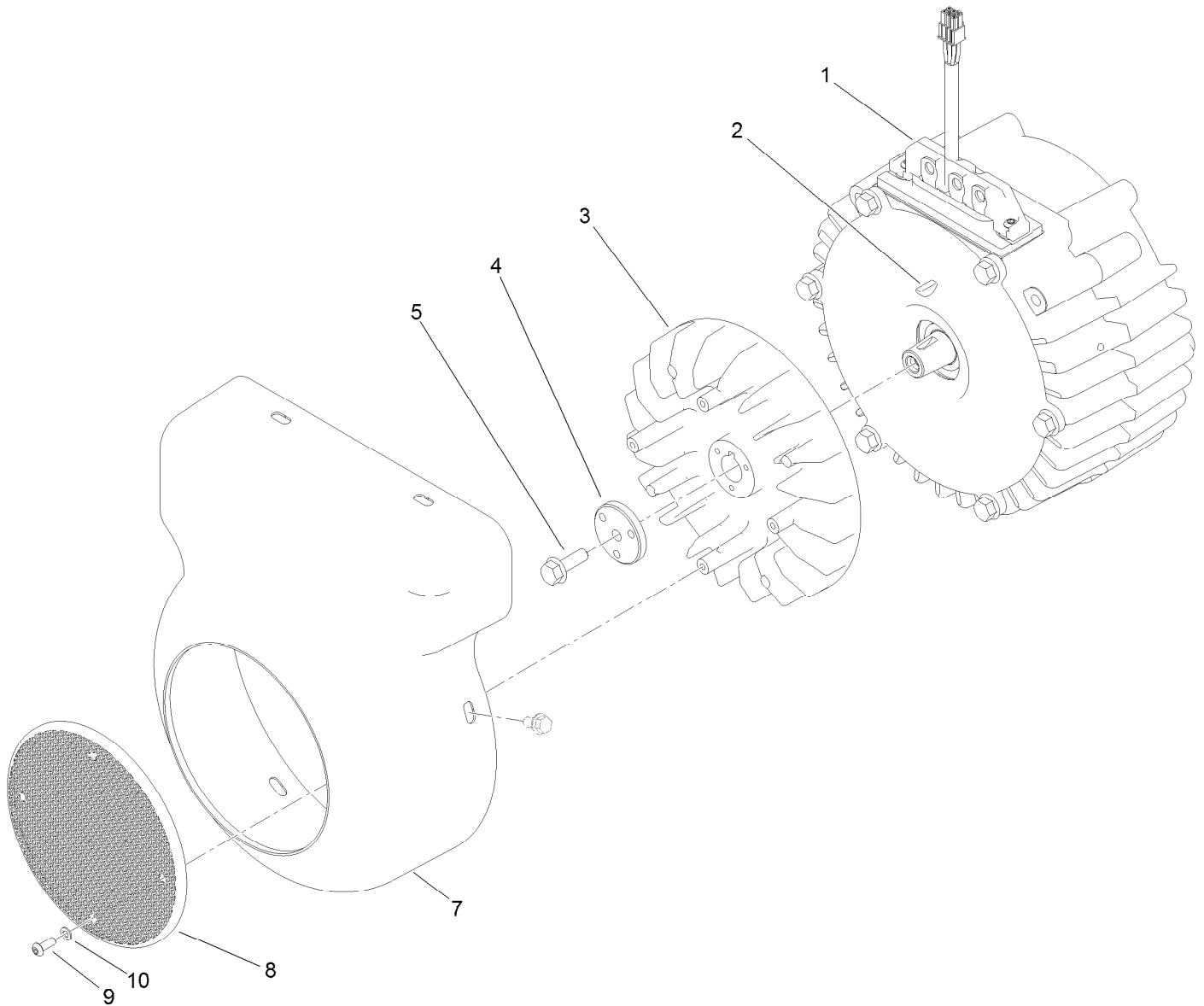
## Generator and Engine Frame Assembly

Ref.	Part Number	Qty.	Description	Ref.	Part Number	Qty.	Description
1	127-2580	1	Generator/Controller ASM	16	119-4454	1	Bell Housing ASM
2	10-7070	1	Key-Square	16:2	87-1910	2	Pin-Dowel
3	117-9295	1	Pulley-Generator	17	104-8301	5	Nut-HF, NI
4	3241-7	2	Screw-SQH	18	117-4458	1	Pulley-Engine, Diesel
5	117-9293-03	1	Plate-Generator	19	99-5107	2	Nut-Lock
6	114-4681	5	Screw-HHF	20	115-8727	1	Flange-Coupling
7	74-1810	2	Washer	21	119-2131-03	1	Mount-Rear, Engine
8	117-9342	1	Spring-Torsion	22	87-7270	2	Washer-Thrust
9	117-9294	1	Idler Bracket ASM	23	325-11	2	Screw-HH
9:2	126-1963	2	Bushing-Pivot	24	3234-42	6	Screw-HHF
10	32151-36	1	Ring-Retaining	25	63-8410	1	Washer
11	302-5	1	Fitting-Grease	26	33104-030	5	Screw-HHF
12	117-4464	1	Belt-V	27	3211-9	1	Screw-HH
13	109-6658	1	Nut-Flange, NI	29	117-4504-03	1	Guard
14	120-5766	1	Pulley	30	120-5757	2	Washer-Flange
15	33104-070	5	Screw-HHF	31	323-11	1	Screw-HH



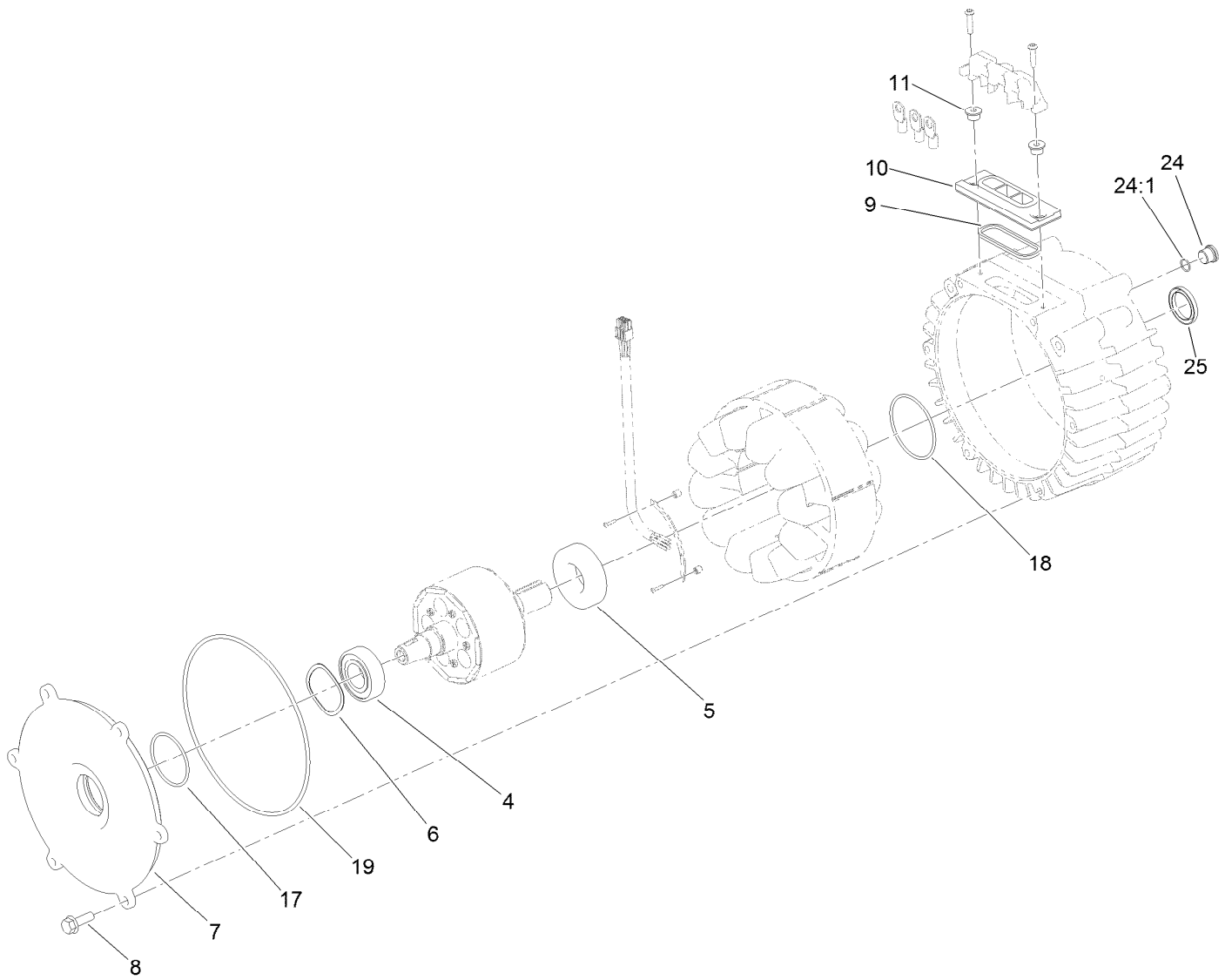
## Generator/Controller Assembly No. 127-2580

<i>Ref.</i>	<i>Part Number</i>	<i>Qty.</i>	<i>Description</i>
1	117-8181	1	Controller ASM
2	127-2579	1	Generator ASM
5	119-1065	6	Screw-HWH
6	119-1138	2	Screw-HWH
7	120-4511	1	Cover-Access
8	120-4513	1	Gasket-Cover, Access
9	3256-23	2	Washer-Plain
10	104-8300	2	Nut-HF, NI
11	322-38	2	Screw-HH
12	353-989	1	Plug-Hex, Hollow
12:1	237-42	1	O-Ring
15	119-7568	2	Screw-HSBH
17	117-8176	1	O-Ring
18	127-2747	1	Sleeve-Harness, Expandable



## Generator Assembly No. 127-2579

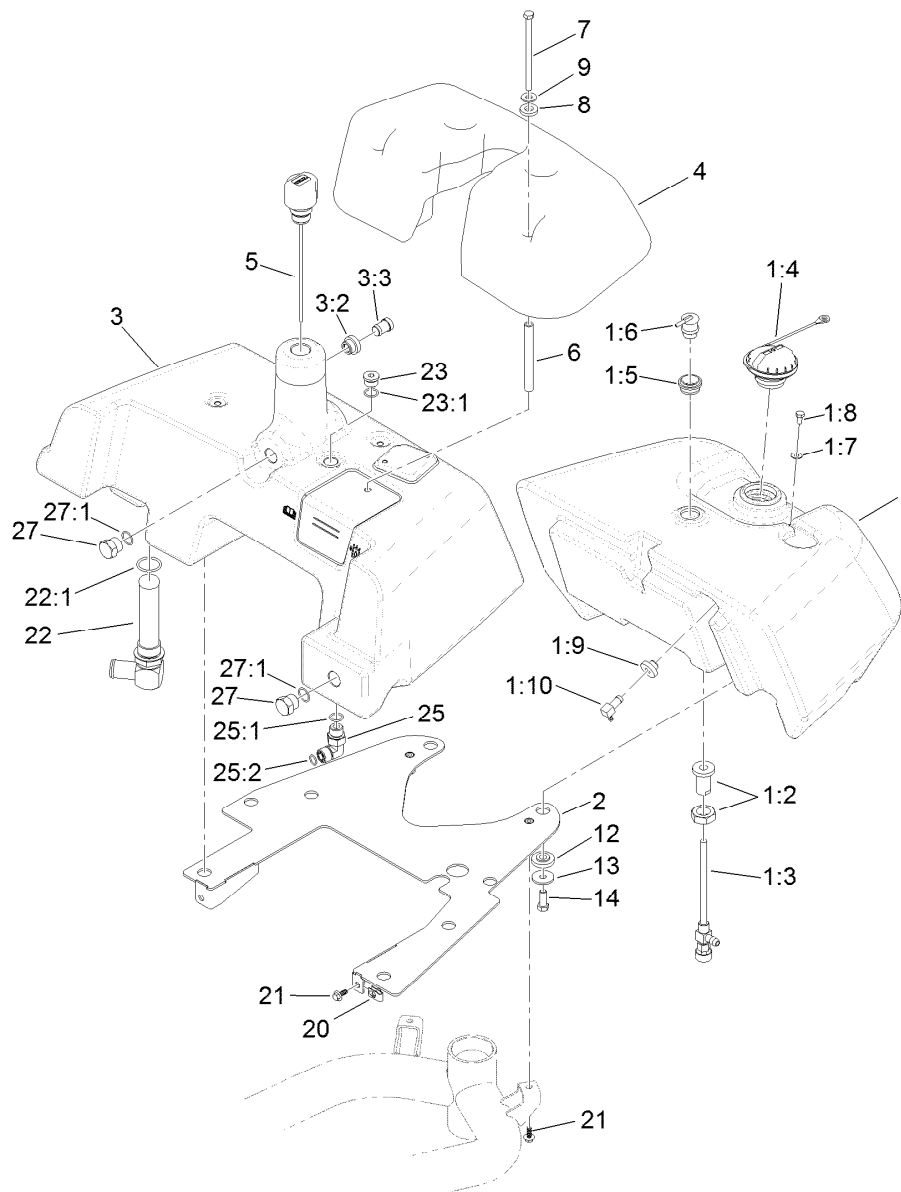
<i>Ref.</i>	<i>Part Number</i>	<i>Qty.</i>	<i>Description</i>
1	127-2578	1	Generator Service ASM
2	112-5193	1	Key-Woodruff
3	117-8184	1	Fan-Generator
4	112-9604	1	Collar
5	33104-025	1	Screw-HHF
7	121-7082	1	Cover-Generator
8	120-4582	1	Screen-Fan
9	120-4564	4	Screw-BHCS
10	120-4563	4	Washer-Flat



## Generator Service Assembly No. 127-2578

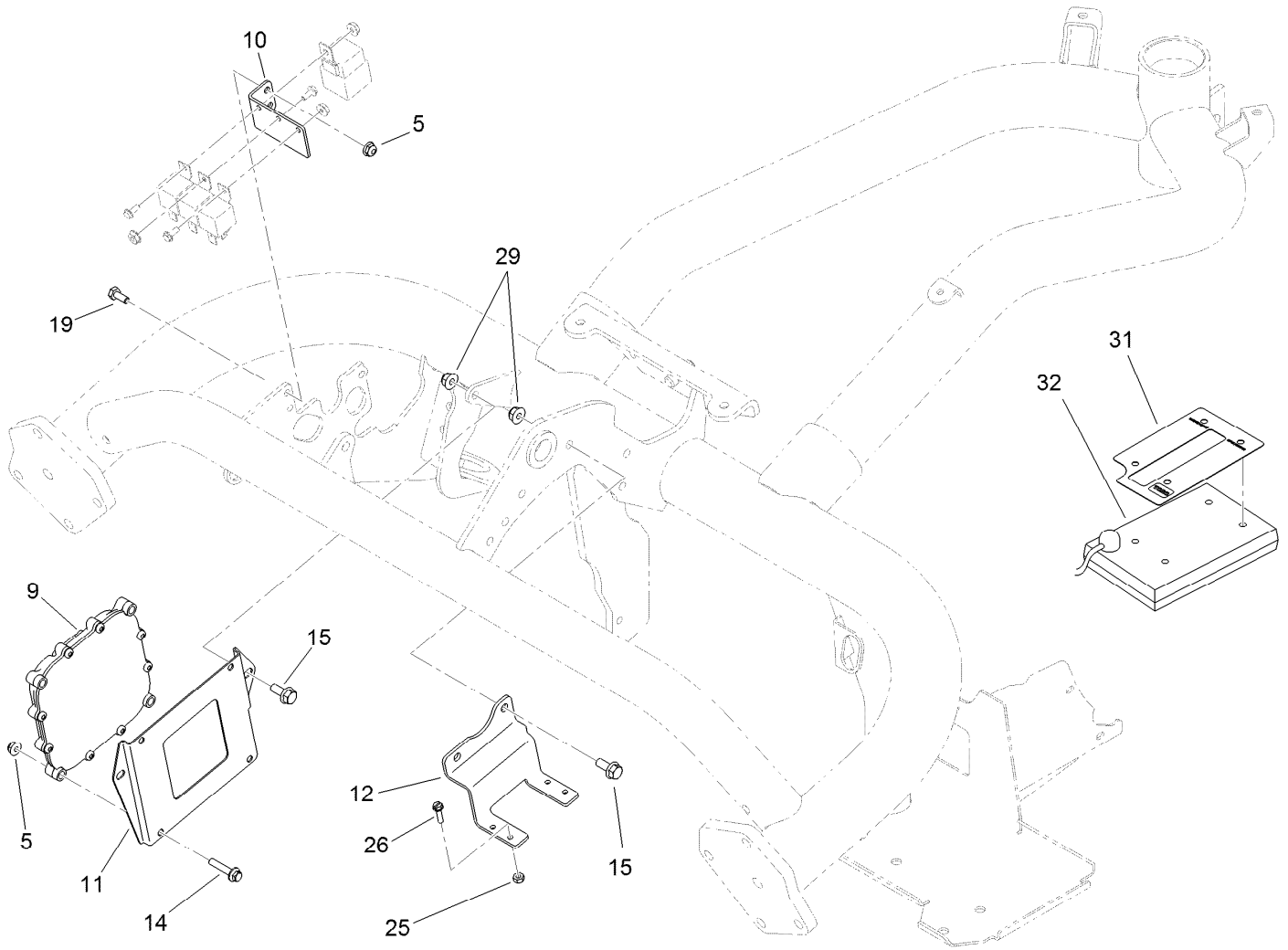
<i>Ref.</i>	<i>Part Number</i>	<i>Qty.</i>	<i>Description</i>
4	120-4621	1	Bearing
5	120-4622	1	Bearing
6	117-8148	1	Washer-Wave
7	117-4514	1	Cover-Generator
8	33104-025	6	Screw-HHF
9	120-4518	1	Gasket-Isolator
10	112-5155	1	Isolator-Thermal
11	117-4501	2	Spacer-Shoulder
17	107-3244	1	O-Ring
18	117-8177	1	O-Ring
19	112-5199	1	O-Ring
24	353-989	1	Plug-Hex, Hollow
24:1	237-42	1	O-Ring
25	125-1509	1	Seal





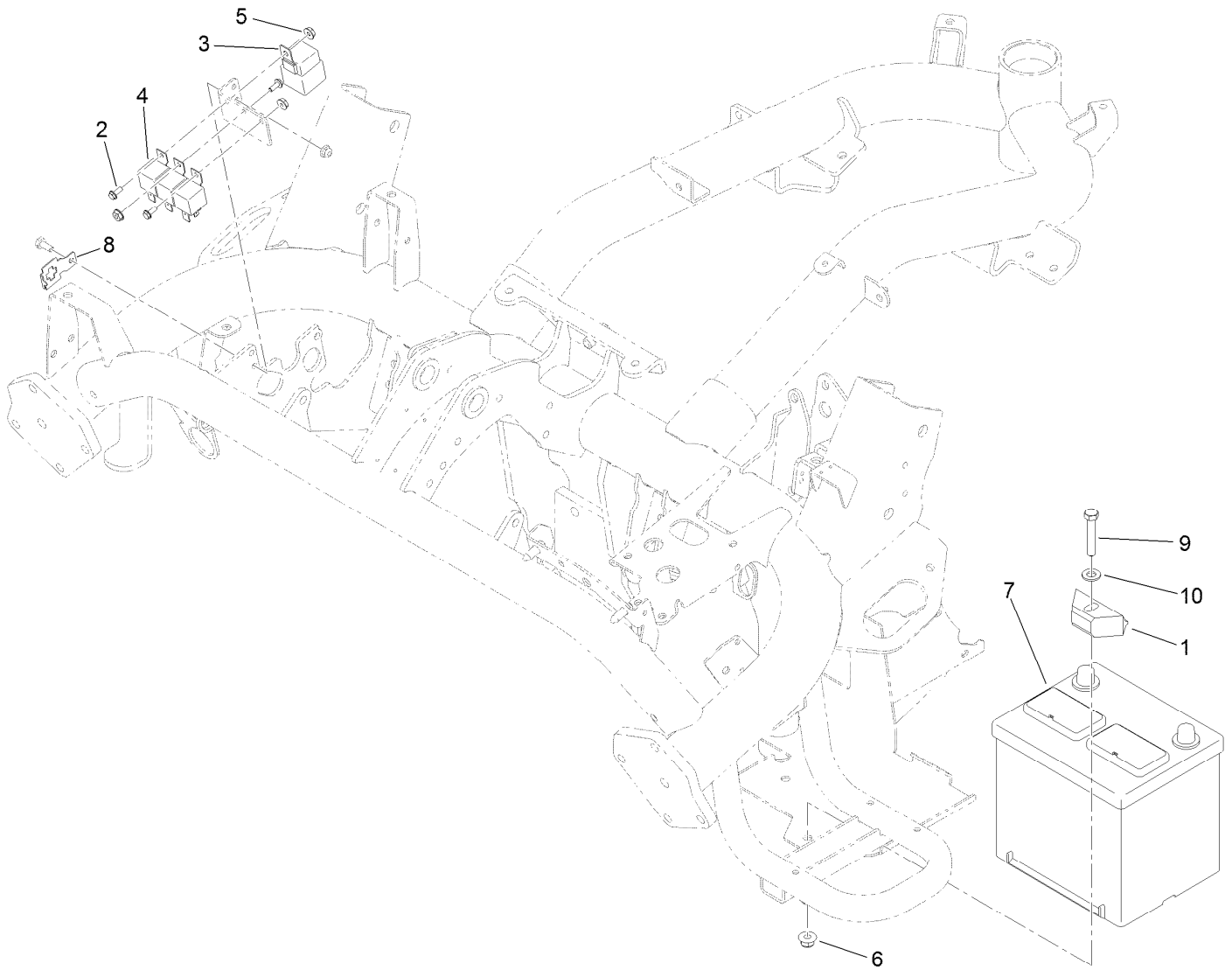
## Fuel and Hydraulic Tank Assembly

Ref.	Part Number	Qty.	Description	Ref.	Part Number	Qty.	Description
1	139-2662	1	Fuel Tank ASM	7	322-29	4	Screw-HH
1:2	114-4677	1	Bulkhead ASM	8	83-1470	4	Washer-Neoprene
1:3	114-4679	1	Fitting-Shut Off, Fuel	9	3256-71	4	Washer-Flat
1:4	121-5174	1	Cap-Fuel, Diesel	12	240-11	8	Bushing-Flange
1:5	114-0284	1	Grommet	13	63-8410	8	Washer
1:6	119-3547	1	Valve-Vent, Fuel	14	323-6	8	Screw-HH
1:7	3256-1	1	Washer-Flat	20	107069	2	Clip
1:8	321-2	1	Screw-HH	21	99-6810	4	Screw-HHF
1:9	46-6560	1	Bushing	22	105-0204	1	Strainer Fitting ASM
1:10	104-5228	1	Fitting-Elbow, 90 DEG	22:1	237-146	1	O-Ring
2	133-8892-03	1	Plate-Mount, Tank	23	353-988	1	Plug-Hex
3	136-8530	1	HYD Tank ASM	23:1	237-79	1	O-Ring
3:2	136-8531	1	Grommet	25	340-18	1	Fitting-HYD, 90 DEG
3:3	136-8534	1	Plug	25:1	237-79	1	O-Ring
4	136-8518	1	Cover-Tank	25:2	237-22	1	O-Ring
5	136-8559	1	Dipstick-Breather	27	353-551	2	Plug-HH
6	115-9825	4	Spacer-Tube, Long	27:1	237-80	1	O-Ring



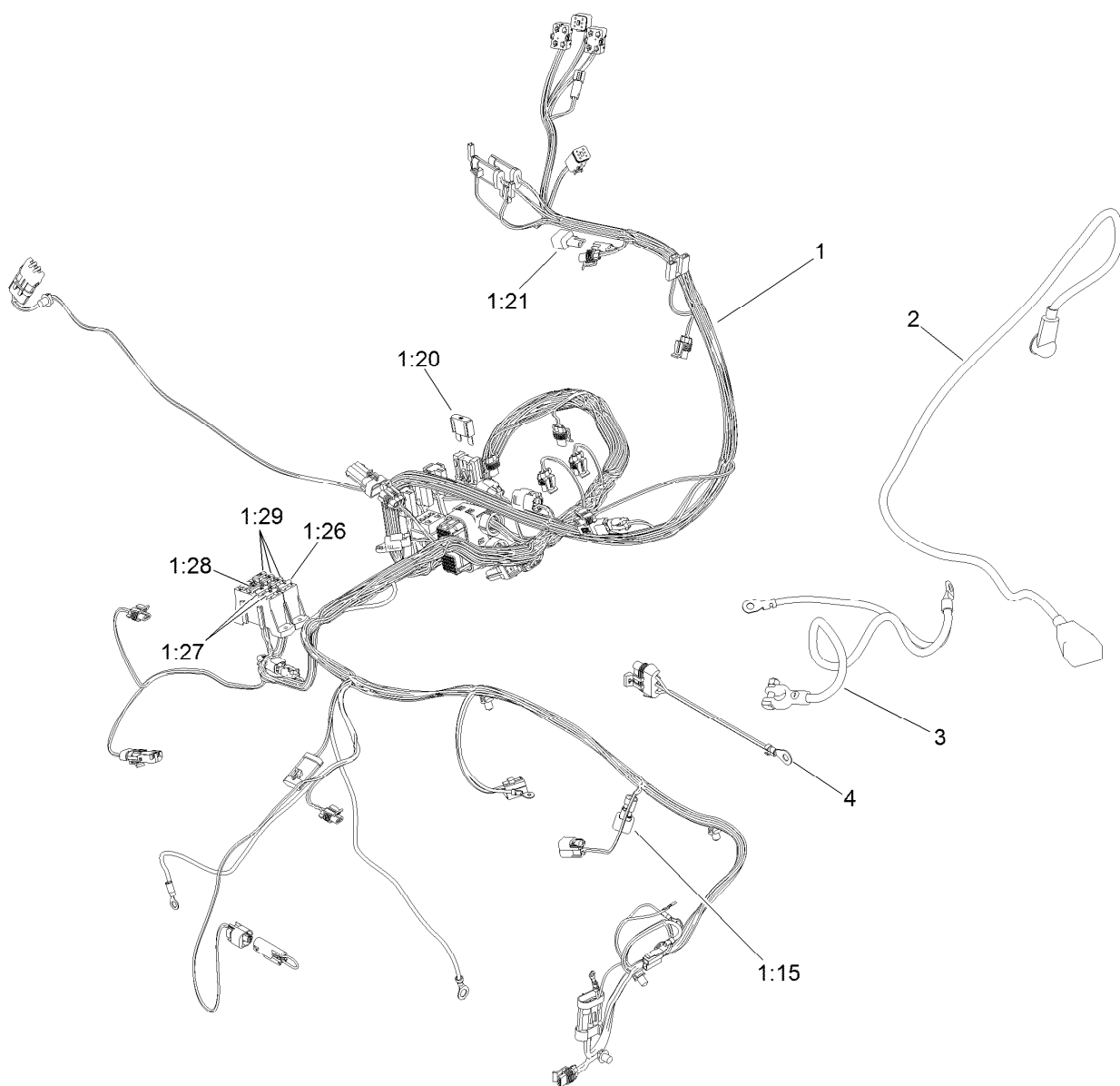
## Controller Assembly

Ref.	Part Number	Qty.	Description
5	104-7201	6	Nut-HF
9	115-1900	1	Controller
10	119-2097-01	1	Bracket-Relay
11	119-2099-01	1	Plate-Mounting, Controller
12	119-2119-01	1	Bracket-Block, Fuse
14	3234-21	4	Screw-HHF
15	3234-47	4	Screw-HHF
19	321-3	2	Screw-HH
25	3296-2	4	Nut-Lock, NI
26	32105-13	4	Screw-HWH
29	104-8300	4	Nut-HF, NI
31	115-8227	1	Decal-Controller
32	85-4750	1	Box-Display, Diagnostic



## Battery Assembly

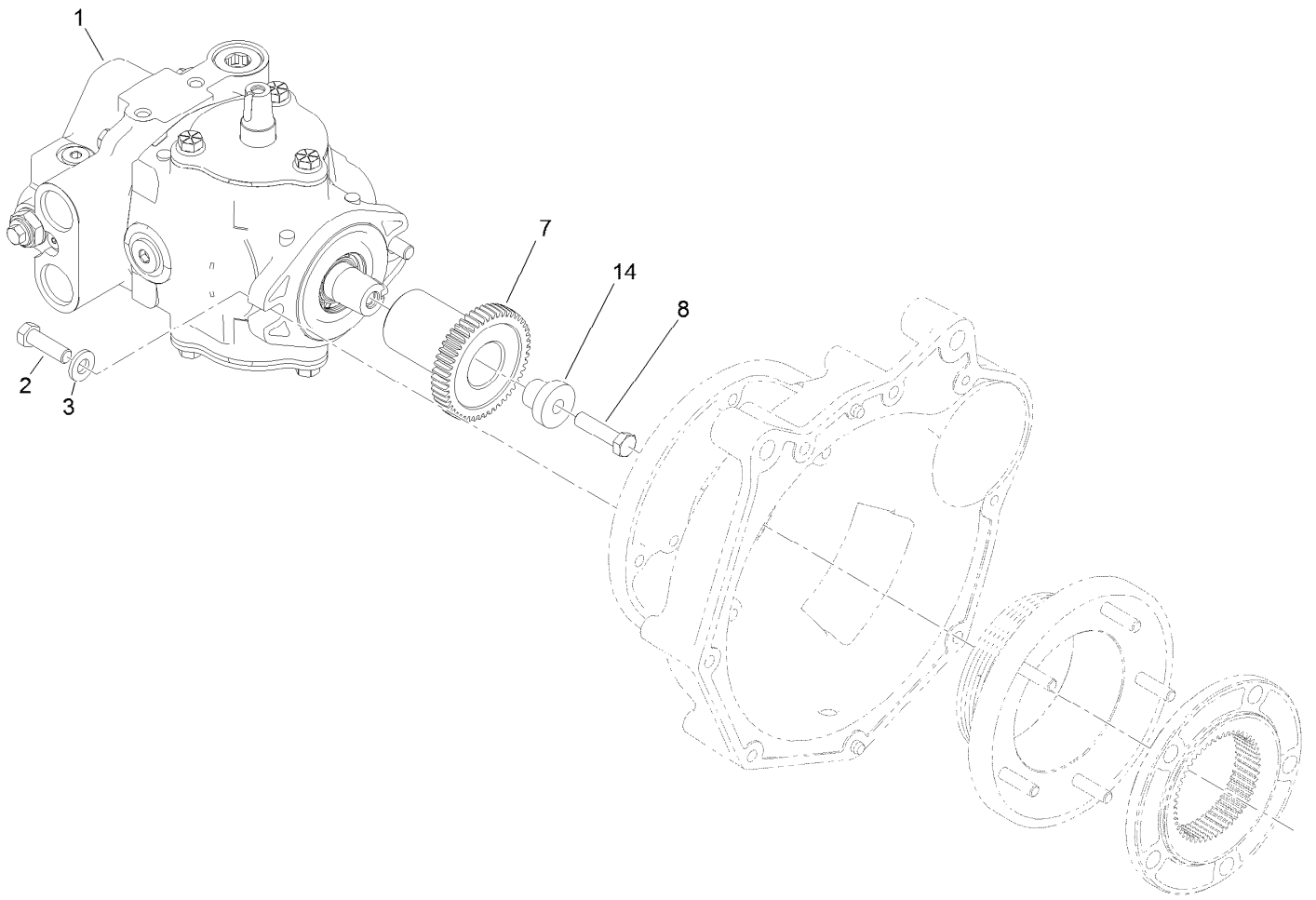
<i>Ref.</i>	<i>Part Number</i>	<i>Qty.</i>	<i>Description</i>
1	138-6335	1	Retainer-Battery
2	112-6349	3	Screw-HWH
3	99-7430	1	Relay-Mini
4	99-7435	3	Relay
5	32149-8	3	Nut-Keps
6	104-8301	1	Nut-HF, NI
7	106-5187	1	Battery-Dry
8	114-5502	1	Clip-Fuse
9	323-10	1	Screw-HH
10	3256-24	1	Washer-Flat



## Wire Harness Assembly

Ref.	Part Number	Qty.	Description
1	122-1735	1	Harness-Wire, Triflex Diesel
1:15	100-4918	1	Diode ●
1:20	94-8002	1	Fuse-Blade, 50 Amp
1:21	104-4022	1	Resistor-75 Ohm
1:26	94-6710	1	Fuse-2 Amp
1:27	218-578	2	Fuse-Blade, 10 Amp
1:28	109355	1	Fuse-Blade, 15 Amp
1:29	114241	3	Fuse-Blade, 7.5 Amp
2	114-9747	1	Cable-Battery, Positive
3	115-8135	1	Cable-Battery, Negative
4	99-3441	1	Harness-Wire, Fusible Link

● Not illustrated



## Pump Coupling Assembly

<i>Ref.</i>	<i>Part Number</i>	<i>Qty.</i>	<i>Description</i>
1	121-9558	1	HYD Pump ASM
2	323-7	2	Screw-HH
3	100-4852	2	Washer-Hardened
7	115-8726	1	Hub-Taper
8	3211-6	1	Screw-HH
14	125-3010	1	Spacer-Step



## Hydraulic Pump Assembly No. 121-9558

Ref.	Part Number	Qty.	Description	Ref.	Part Number	Qty.	Description
1	119-7148	1	Shaft-Drive, Tapered	21	120-1989	1	Relief Valve ASM
2	121-9574	1	Endcover ASM	22	98-4639	2	Bearing-Cone
3	100-3176	1	Housing ASM	23	98-4645	1	Plate-Cover
3:1	94-6363	1	Bearing	24	98-4644	1	Plate-Cover
4	76-6070	1	Rotating Kit	26	76-6150	2	Pin-Dowel
5	104-4888	1	Swashplate	27	76-6160	2	Capscrew
6	33-3720	1	Washer	28	76-6170	2	Capscrew
7	32151-13	1	Ring-Retaining	29	120-5751	1	Key
8	32151-29	2	Ring-Retaining	30	94-3646	1	Key
9	252-66	1	Bearing-Thrust	37	74-9040	1	Coupler
10	252-71	2	Washer-Thrust	39	104-4046	2	Bearing-Cup
11	104-4861	1	Seal-Shaft	40	100-3182	1	Shim Kit
12	33-4930	1	Gasket-Housing	41	100-3179	2	O-Ring
13	98-4635	1	Insert-Plate, Cam	48	100-3180	1	Plate-Valve
14	105-9762	6	Washer	50	74-9280	1	Plug ASM
16	76-6190	1	Seal-Shaft	50:1		1	O-Ring ■
17	98-4640	6	Screw-Cap	51	74-9280	1	Plug ASM
20	120-1989	1	Relief Valve ASM	51:1		1	O-Ring ■

● Not illustrated

■ Not serviced separately

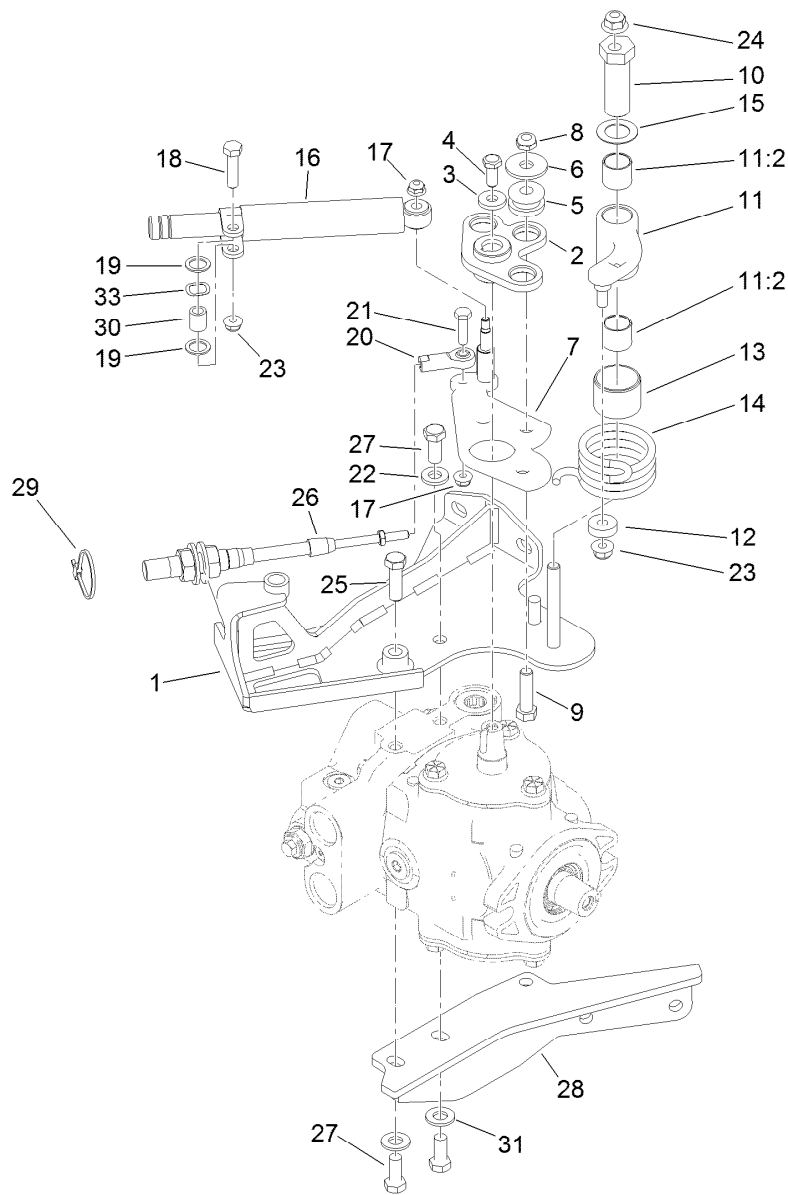


## Hydraulic Pump Assembly No. 121-9558 (continued)

Ref.	Part Number	Qty.	Description	Ref.	Part Number	Qty.	Description
55	105-3811	1	Valve-Bypass	99:7		1	O-Ring ■
99	120-5754	1	Seal Kit	99:8		5	O-Ring ■
99:1		2	O-Ring ■	99:9		1	Ring-Retaining ■
99:2		2	O-Ring ■	99:10		1	O-Ring ●■
99:3		1	Seal-Shaft ■	99:11		1	O Ring-Molded ●■
99:4		1	Gasket ■	99:12		2	Ring-Retaining ■
99:5		1	Ring-Retaining ■	99:13		1	O-Ring ●■
99:6		1	Seal-Shaft ■				

● Not illustrated

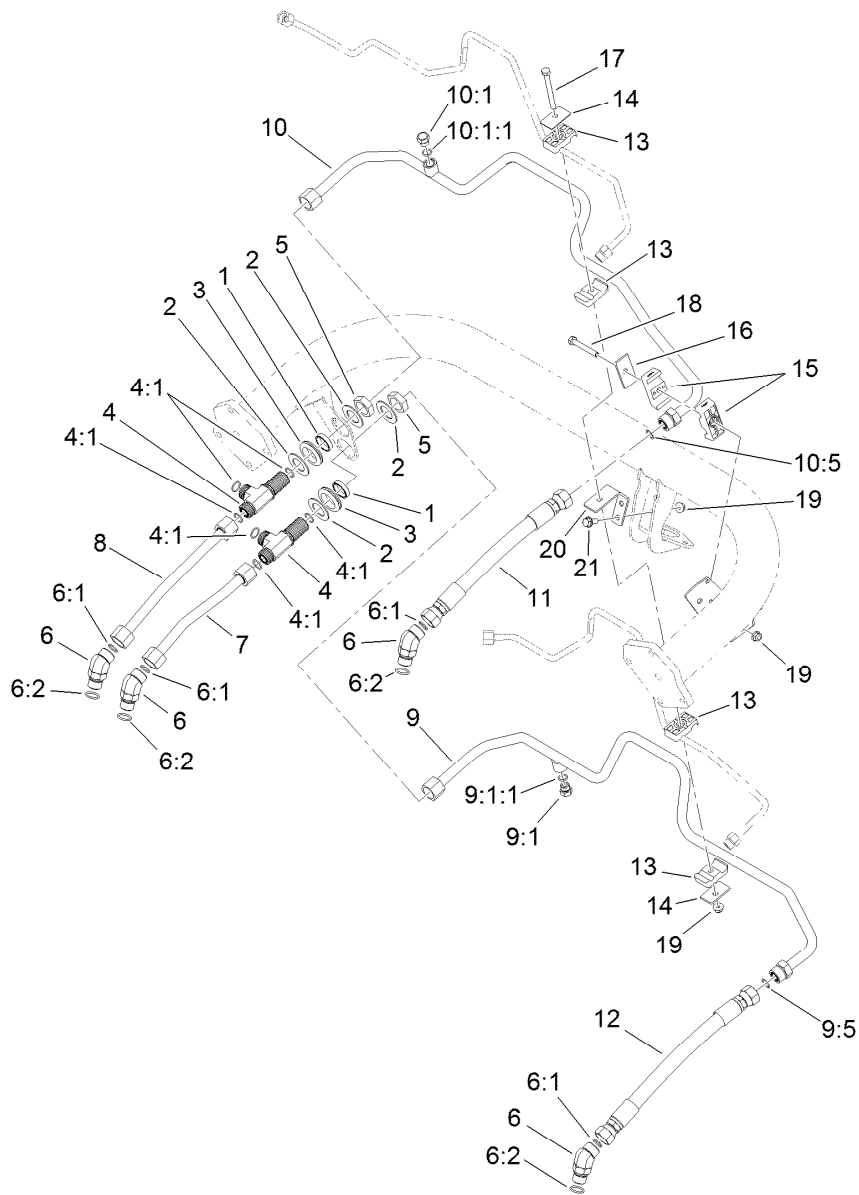
■ Not serviced separately



## Neutral Centering Assembly

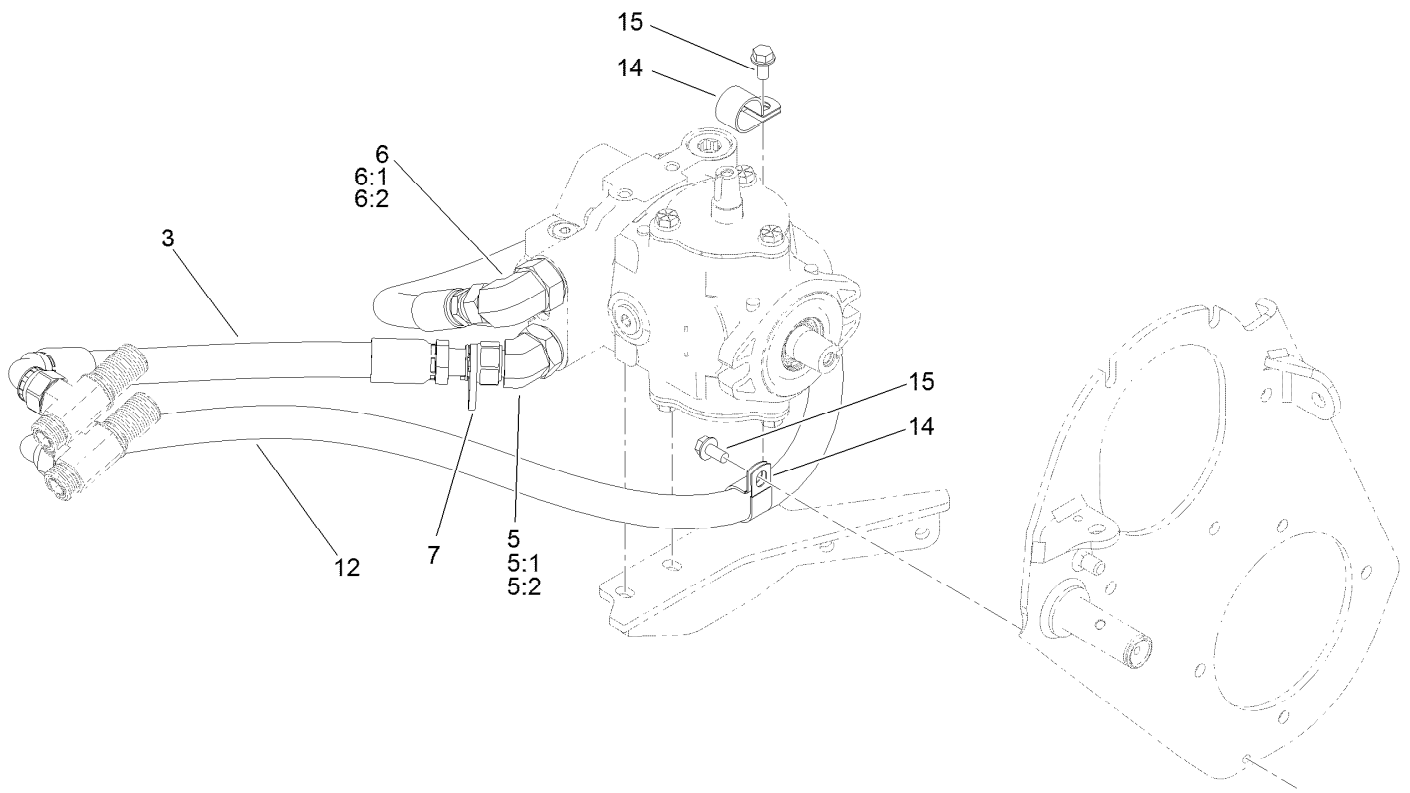
<i>Ref.</i>	<i>Part Number</i>	<i>Qty.</i>	<i>Description</i>	<i>Ref.</i>	<i>Part Number</i>	<i>Qty.</i>	<i>Description</i>
1	120-2015	1	Support-Cable	17	104-7201	2	Nut-HF
2	132-9582	1	Plate	18	322-6	1	Screw-HH
3	88-7200	1	Washer-Flat	19	94-8196	2	Washer-Nylon
4	3235-6	1	Screw-HH	20	2411-41	1	Rod End-Ball Joint
5	63-9750	3	Mount	21	321-6	1	Screw-HH
6	93-8806	3	Washer-Hardened	22	100-4852	1	Washer-Hardened
7	125-2091	1	Lever-Pump	23	104-8300	2	Nut-HF, NI
8	3296-59	3	Nut-Lock, NI	24	104-8301	1	Nut-HF, NI
9	323-29	3	Screw-HH	25	323-7	1	Screw-HH
10	117-9046	1	Stud-Eccentric	26	119-1734	1	Cable-Control, Traction
11	117-9053	1	Neutral Arm ASM	27	323-5	3	Screw-HH
11:2	94-9609	2	Bushing-Straight	28	117-9302	1	Bracket-Muffler
12	251-259	1	Bearing-Ball	29	3290-379	1	Tie-Cable
13	136-8418	1	Bushing	30	94-8197	1	Tube-Pivot
14	117-9047	1	Spring-Torsion	31	100-4852	2	Washer-Hardened
15	119-8199	1	Washer-Nylon	33	108473	1	Washer-Wave
16	76-8870	1	Damper-Lever				





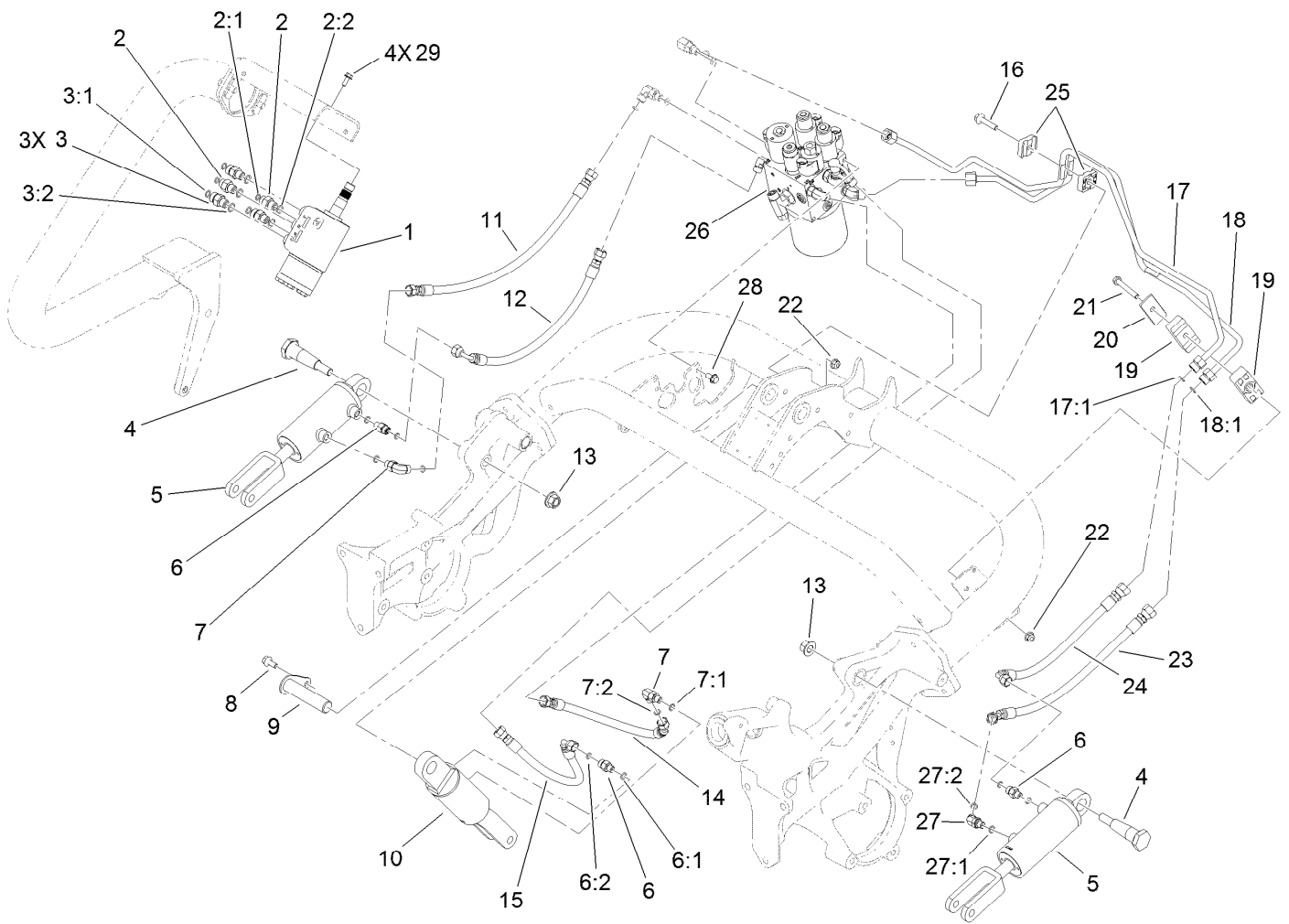
## Traction Drive Hydraulic Line Assembly

<i>Ref.</i>	<i>Part Number</i>	<i>Qty.</i>	<i>Description</i>	<i>Ref.</i>	<i>Part Number</i>	<i>Qty.</i>	<i>Description</i>
1	125-1984	2	Spacer	10	119-2064	1	HYD Tube ASM
2	69-9010	4	Washer	10:1	353-508	1	Plug-HH
3	240-3	2	Grommet-Rubber	10:1:1	237-42	1	O-Ring
4	94-5350	2	Fitting-Tee	10:5	237-65	1	O-Ring
4:1	237-65	3	O-Ring	11	115-9484	1	Hose-HYD
5	340-74	2	Nut-Lock, Bulkhead	12	115-9485	1	Hose-HYD
6	340-14	4	Fitting-HYD, 45 DEG	13	56-7970	4	Clamp-Tube
6:1	237-65	1	O-Ring	14	69-9760	2	Plate-Cover
6:2	237-80	1	O-Ring	15	138-5045	2	Clamp-Tube
7	119-2057	1	Tube-HYD	16	69-9761	1	Plate-Cover
8	119-2058	1	Tube-HYD	17	322-20	1	Screw-HH
9	119-2063	1	Tube-HYD	18	322-12	1	Screw-HH
9:1	353-508	1	Plug-HH	19	104-8300	4	Nut-HF, NI
9:1:1	237-42	1	O-Ring	20	119-2092	1	Bracket-Tube
9:5	237-65	1	O-Ring	21	3234-47	2	Screw-HHF



## Traction Drive Hose Routing Assembly

<i>Ref.</i>	<i>Part Number</i>	<i>Qty.</i>	<i>Description</i>
3	125-5169	1	Hose-HYD
5	340-156	1	Fitting-Elbow 45
5:1	237-65	1	O-Ring
5:2	237-81	1	O-Ring
6	340-139	1	Fitting-Elbow 90
6:1	237-81	1	O-Ring
6:2	237-65	1	O-Ring
7	3290-378	1	Tie-Cable
12	120-1966	1	Hose-HYD
14	2412-39	2	Clamp-R
15	32144-14	2	Screw-HWHTF



## Lift Circuit Assembly

Ref.	Part Number	Qty.	Description	Ref.	Part Number	Qty.	Description
1	114-4672	1	Steering Valve ASM	10	119-8128	1	No. 1 HYD Cylinder ASM
2	340-1	2	Fitting-Straight	11	119-2052	1	Hose-HYD
2:1	237-21	1	O-Ring	12	119-2053	1	Hose-HYD
2:2	237-42	1	O-Ring	13	99-5107	2	Nut-Lock
3	340-2	3	Fitting-Straight	14	119-2051	1	Hose-HYD
3:1	237-22	1	O-Ring	15	119-2050	1	Hose-HYD
3:2	237-42	1	O-Ring	16	115-1794	1	Screw-HHF
4	112-5709	2	Pin-Tapered	17	119-8126	1	HYD Tube ASM
5	119-8129	2	No. 2 And 3 HYD Cylinder ASM	17:1	237-22	1	O-Ring
6	340-92	3	Fitting-Straight	18	119-8127	1	HYD Tube ASM
6:1	237-78	1	O-Ring	18:1	237-22	1	O-Ring
6:2	237-21	1	O-Ring	19	120-3200	2	Clamp-Tube
7	340-132	2	Fitting-Elbow, 90 DEG	20	69-9761	1	Plate-Cover
7:1	237-78	1	O-Ring	21	322-12	1	Screw-HH
7:2	237-21	1	O-Ring	22	104-8300	3	Nut-HF, NI
8	3234-47	1	Screw-HHF	23	119-2066	1	Hose-HYD
9	119-8104	1	Pin	24	119-2065	1	Hose-HYD
				25	56-7973	2	Clamp-Tube

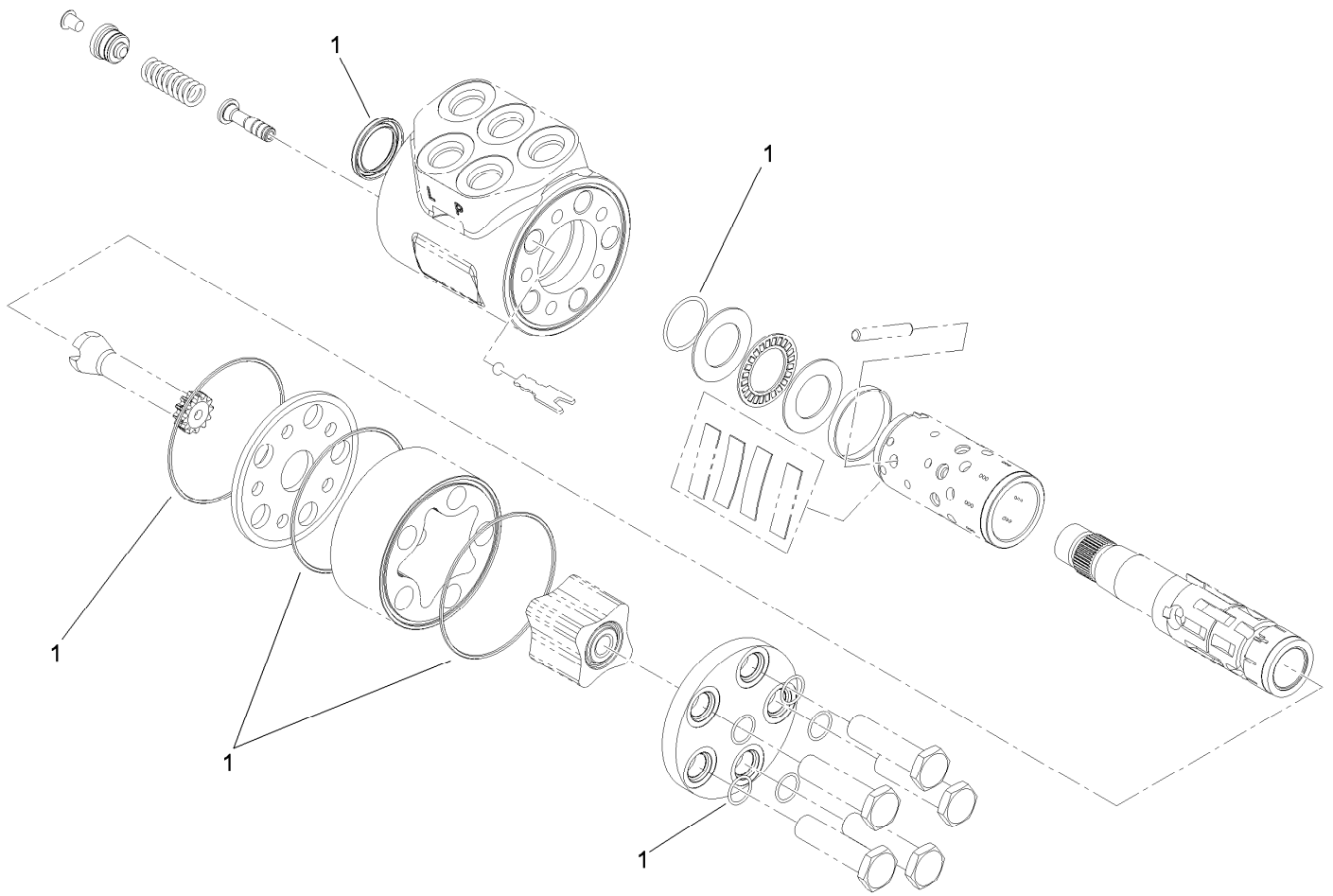
● Not serviced separately



## Lift Circuit Assembly (continued)

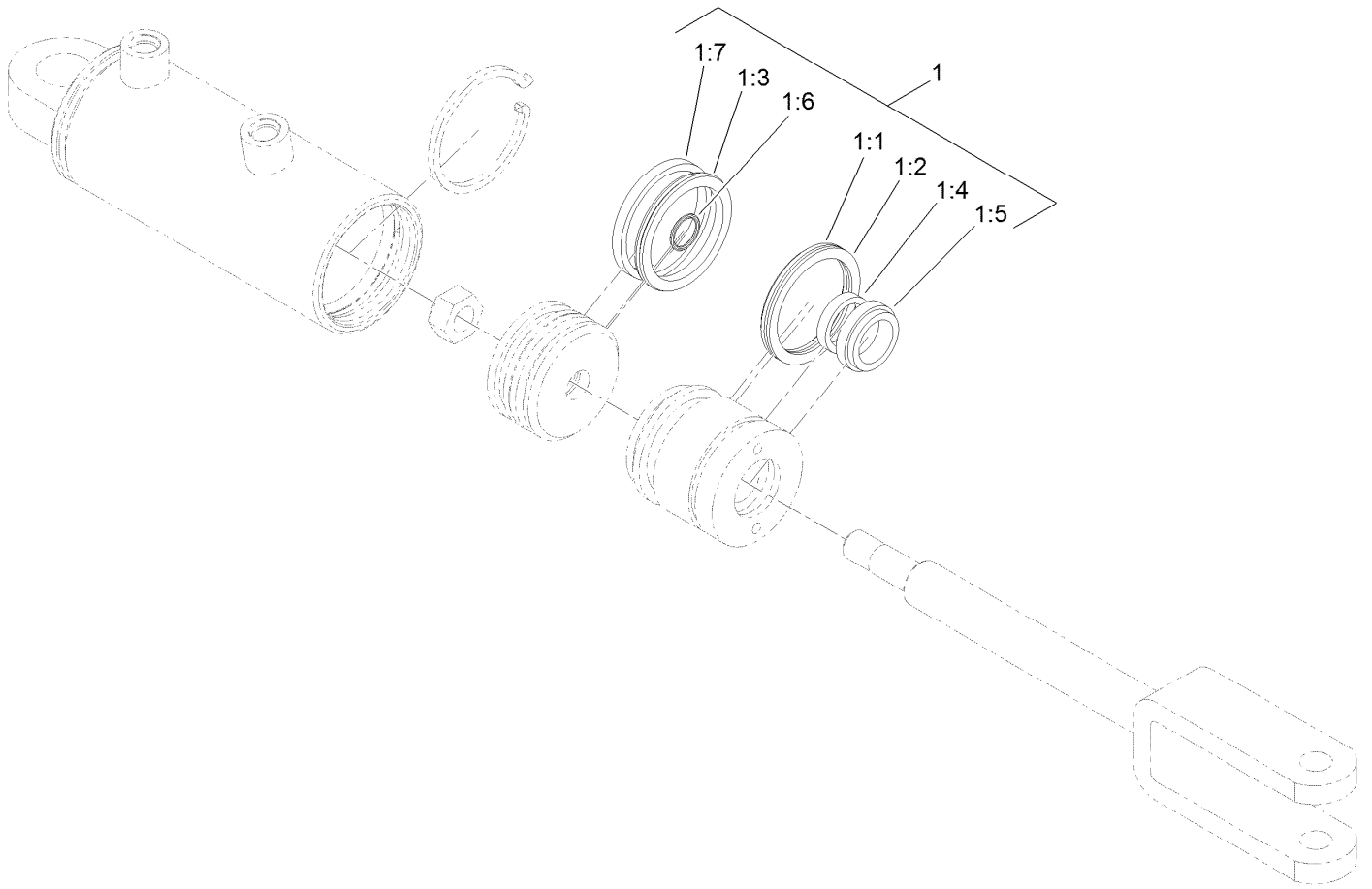
Ref.	Part Number	Qty.	Description	Ref.	Part Number	Qty.	Description
26		1	Hydraulic Lift Manifold ASM	27:2	237-21	1	O-Ring
27	340-103	1	Fitting-HYD, 45 DEG	28	3234-7	2	Screw-HHF
27:1	237-78	1	O-Ring	29	33103-016	4	Screw-HHF

● Not serviced separately



## Steering Valve Assembly No. 114-4672

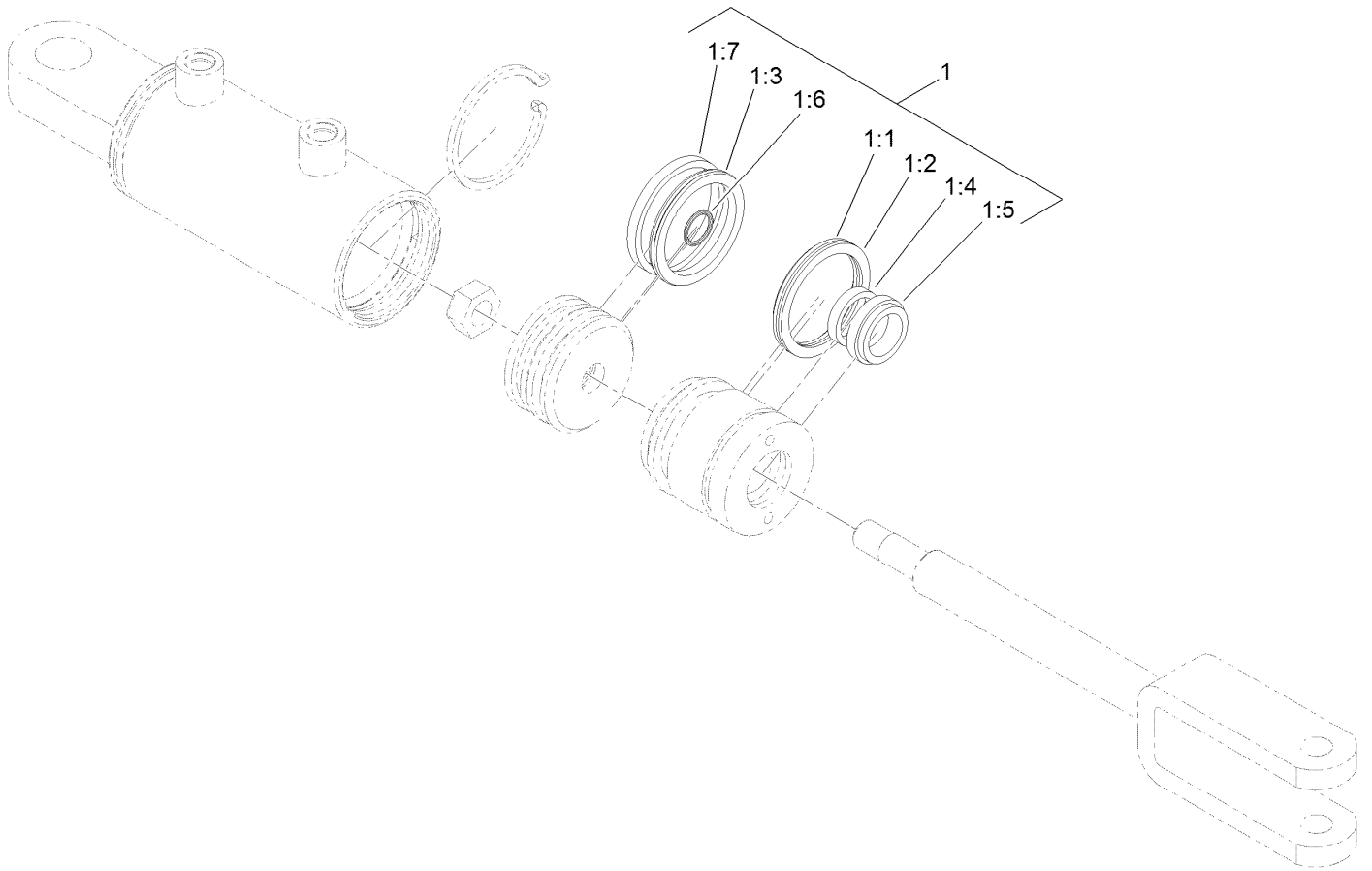
<i>Ref.</i>	<i>Part Number</i>	<i>Qty.</i>	<i>Description</i>
1	106-6716	1	Seal Kit



## Hydraulic Cylinder Assembly No. 119-8129

<i>Ref.</i>	<i>Part Number</i>	<i>Qty.</i>	<i>Description</i>
1	115-3410	1	Seal Kit
1:1		1	O-Ring ●
1:2		1	Backup ●
1:3		1	Bp Seal ●
1:4		1	Bs Seal ●
1:5		1	Seal-Dust ●
1:6		1	O-Ring ●
1:7		1	Ring-Wear ●

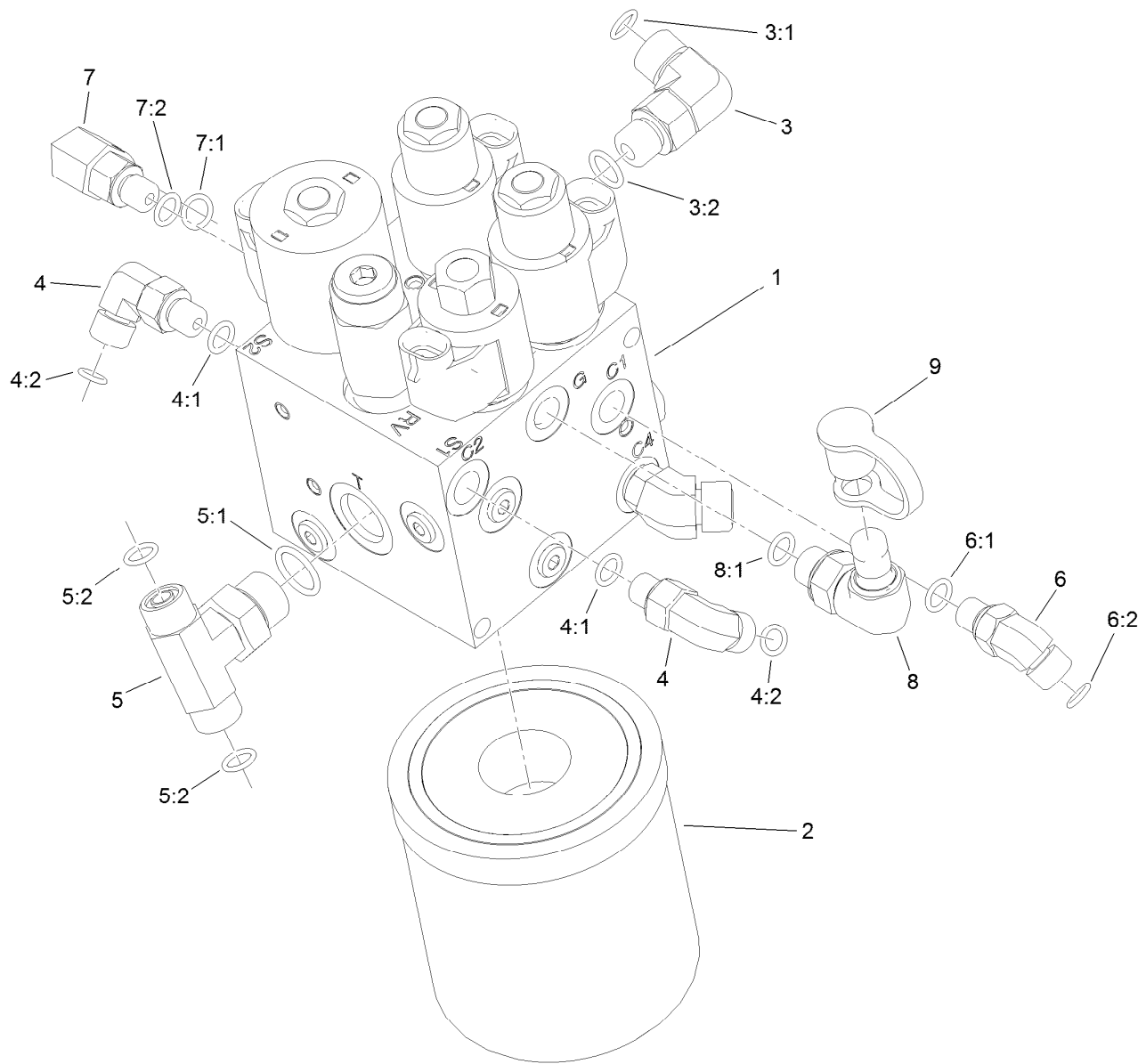
● Not serviced separately



## Hydraulic Cylinder Assembly No. 119-8128

<i>Ref.</i>	<i>Part Number</i>	<i>Qty.</i>	<i>Description</i>
1	115-3410	1	Seal Kit
1:1		1	O-Ring ●
1:2		1	Backup ●
1:3		1	Bp Seal ●
1:4		1	Bs Seal ●
1:5		1	Seal-Dust ●
1:6		1	O-Ring ●
1:7		1	Ring-Wear ●

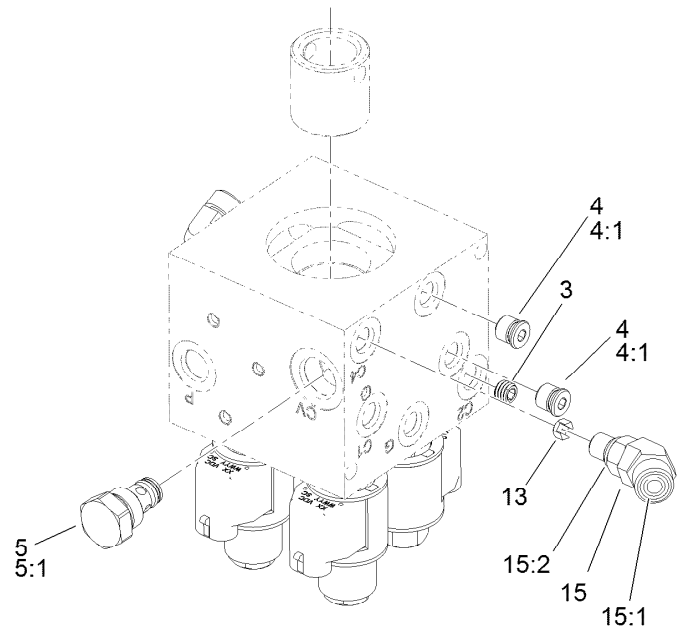
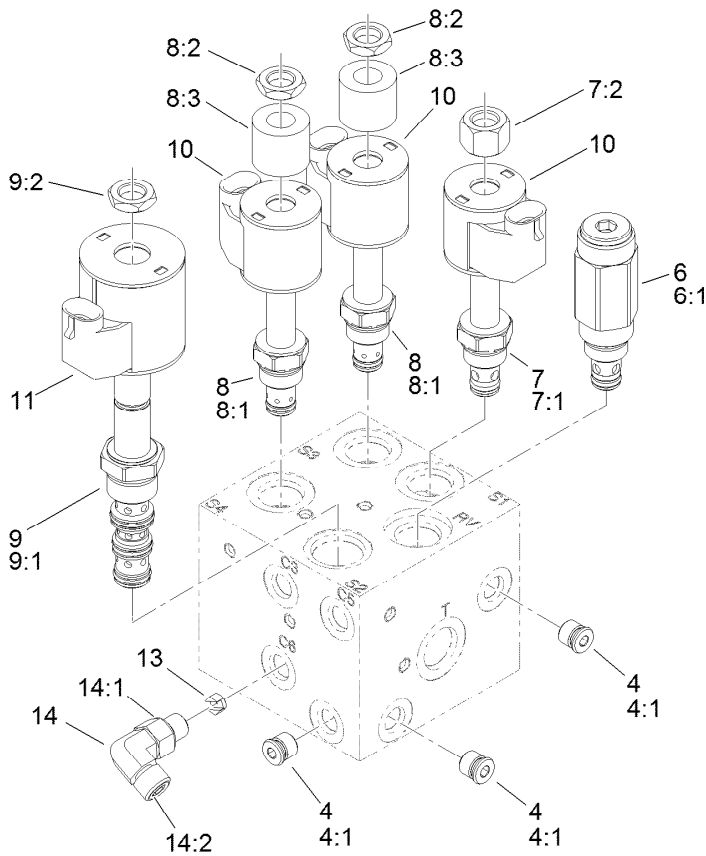
● Not serviced separately



## Hydraulic Lift Manifold Assembly

Ref.	Part Number	Qty.	Description	Ref.	Part Number	Qty.	Description
1	125-5187	1	Manifold-Lift, HYD	5:2	237-22	2	O-Ring
2	108-5194	1	Filter-Oil, HYD	6	340-103	1	Fitting-HYD, 45 DEG
3	340-77	1	Fitting-Elbow, 90 DEG	6:1	237-78	1	O-Ring
3:1	237-22	1	O-Ring	6:2	237-21	1	O-Ring
3:2	237-42	1	O-Ring	7	340-97	1	Fitting-Elbow, 90 DEG
4	340-132	2	Fitting-Elbow, 90 DEG	7:1	237-22	1	O-Ring
4:1	237-78	1	O-Ring	7:2	237-78	1	O-Ring
4:2	237-21	1	O-Ring	8	115-9147	1	Fitting-Elbow, 90 DEG
5	92-4799	1	Fitting-Tee, HYD	8:1	237-78	1	O-Ring
5:1	237-79	1	O-Ring	9	354-79	1	Cap-Dust

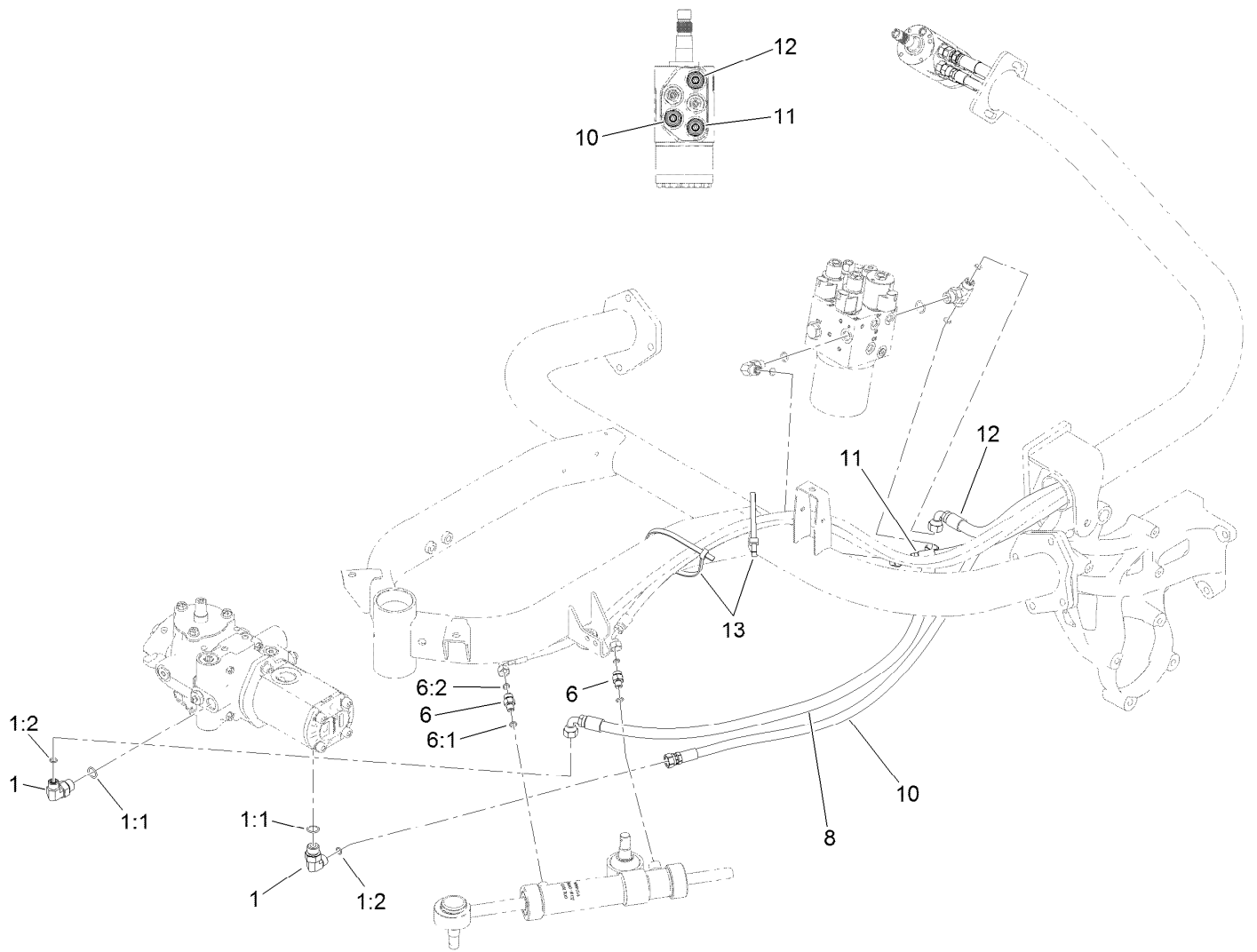




## Hydraulic Lift Manifold Assembly No. 125-5187

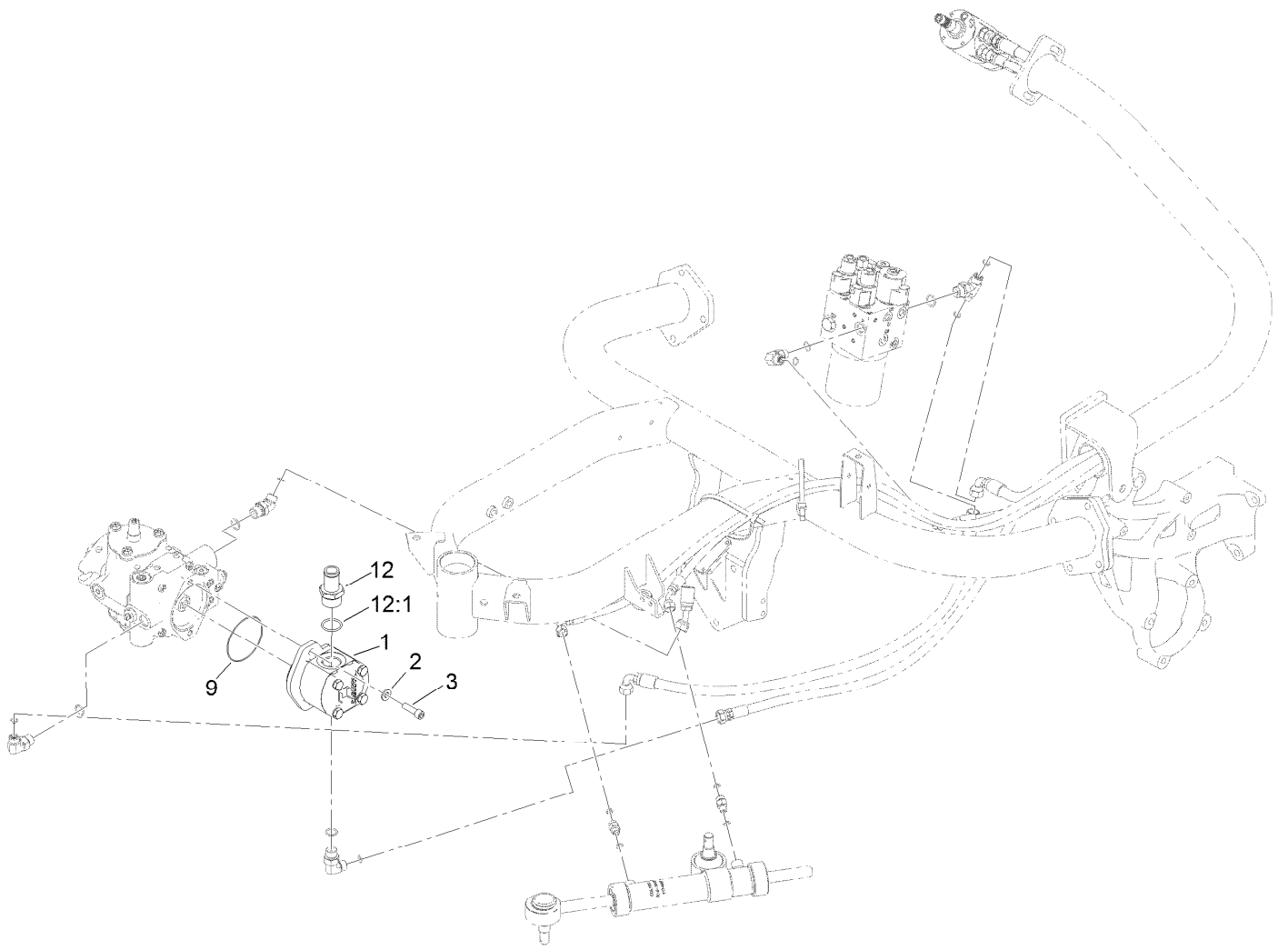
Ref.	Part Number	Qty.	Description
3	119-7144	1	Orifice (.037 Inch)
4	353-990	5	Plug ASM
4:1	237-78	1	O-Ring
5	107-7524	1	Check Valve ASM
5:1	105-9156	1	Seal Kit
6	112-9207	1	Valve-Relief
6:1	105-9156	1	Seal Kit
7	107-7517	1	Valve-Solenoid
7:1	105-9156	1	Seal Kit
7:2	107-7812	1	Nut-Solenoid
8	110-8898	2	Valve-Solenoid
8:1	107-7527	1	Seal Kit
8:2	110-2634	1	Nut-Coil

Ref.	Part Number	Qty.	Description
8:3	110-8909	1	Spacer-Coil
9	110-8906	1	Valve-Solenoid
9:1	110-8908	1	Spool Valve Seal Kit
9:2	110-2634	1	Nut-Coil
10	110-0497	3	Coil-Solenoid
11	110-6344	1	Coil-12V, DC
13	125-5211	2	Orifice-Control, Flow (0.030)
14	340-132	1	Fitting-Elbow, 90 DEG
14:1	237-78	1	O-Ring
14:2	237-21	1	O-Ring
15	340-54	1	Elbow-45 DEG
15:1	237-22	1	O-Ring
15:2	237-78	1	O-Ring



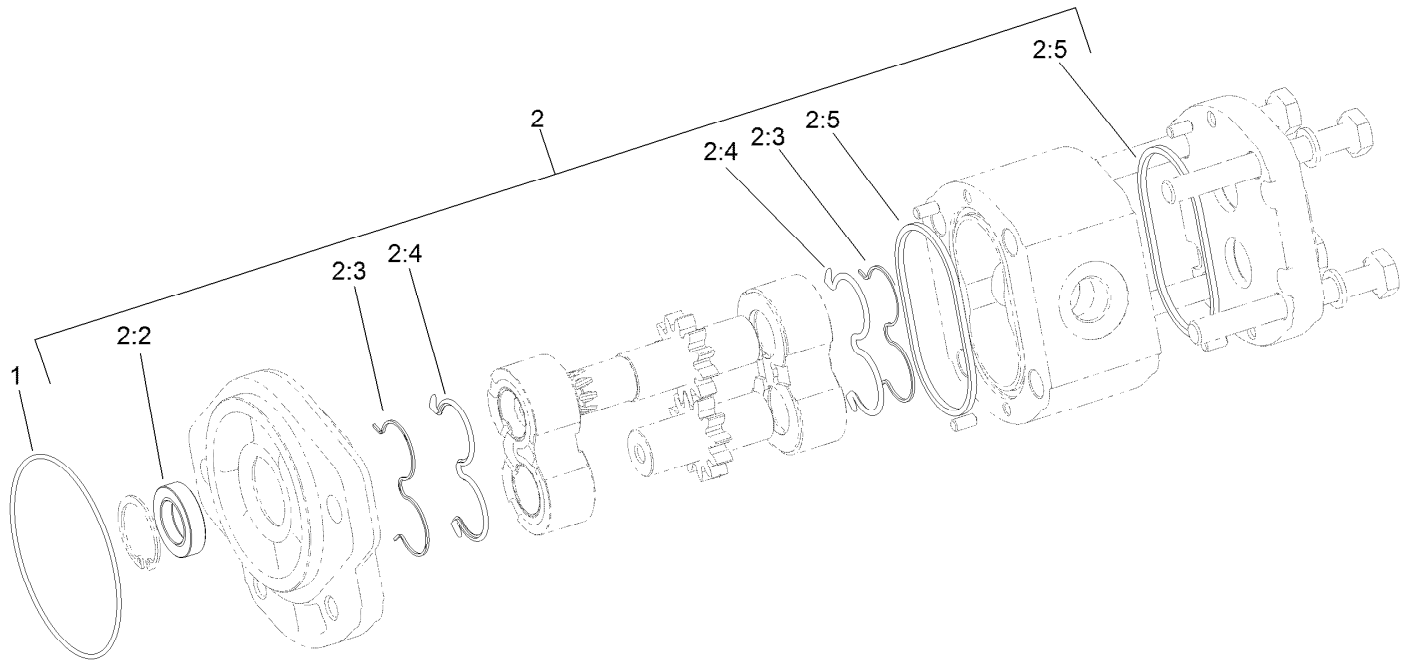
## Steering Circuit Assembly (1)

Ref.	Part Number	Qty.	Description
1	340-18	2	Fitting-HYD, 90 DEG
1:1	237-79	1	O-Ring
1:2	237-22	1	O-Ring
6	340-92	2	Fitting-Straight
6:1	237-78	1	O-Ring
6:2	237-21	1	O-Ring
8	125-5168	1	Hose-HYD
10	125-5167	1	Hose-HYD
11	117-3683	1	Hose-HYD
12	125-5166	1	Hose-HYD
13	3334-945	2	Tie-Cable



## Steering Circuit Assembly (2)

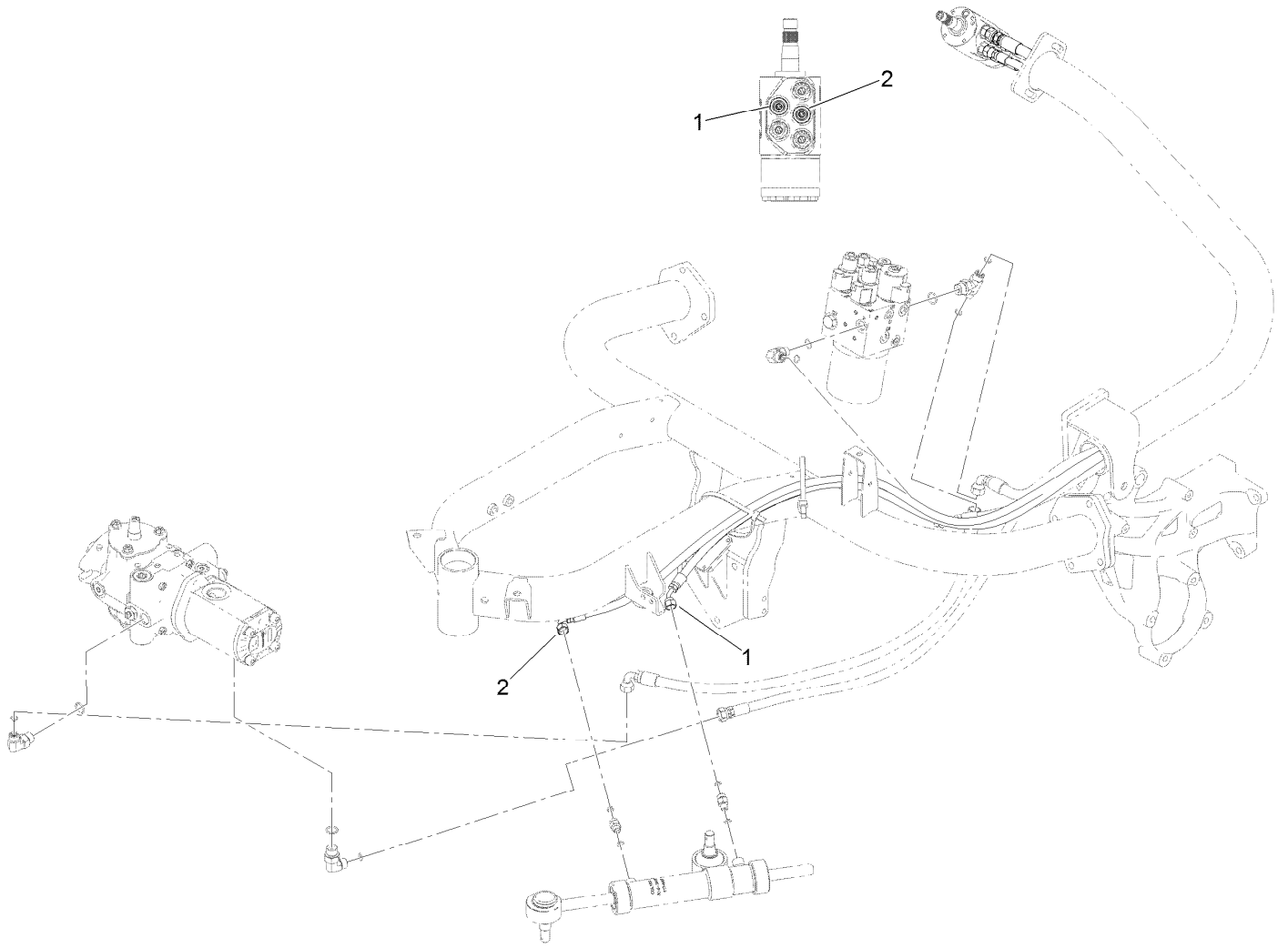
<i>Ref.</i>	<i>Part Number</i>	<i>Qty.</i>	<i>Description</i>
1	114-9958	1	HYD Gear Pump ASM
2	100-4852	2	Washer-Hardened
3	3274-1	2	Screw-HSH
9	353-949	1	O-Ring
12	354-78	1	Fitting-STR
12:1	237-146	1	O-Ring



## Hydraulic Gear Pump Assembly No. 114-9958

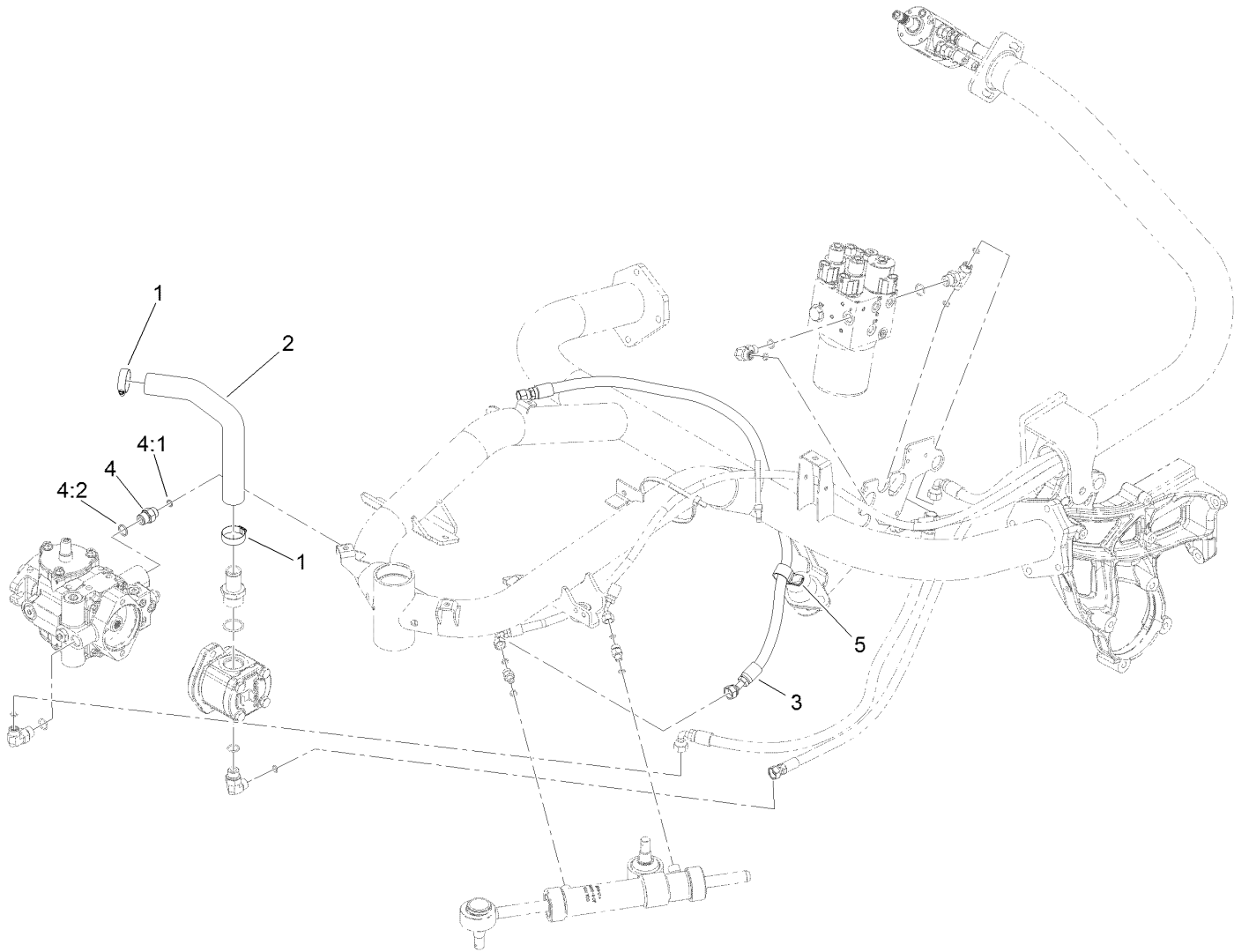
<i>Ref.</i>	<i>Part Number</i>	<i>Qty.</i>	<i>Description</i>
1	353-949	1	O-Ring
2	119-7135	1	Kit-Seal
2:2		1	Shaft Seal ●
2:3		2	Anti-Extrusion Seal ●
2:4		2	Seal ●
2:5		2	Seal Square Section ●

● Not serviced separately



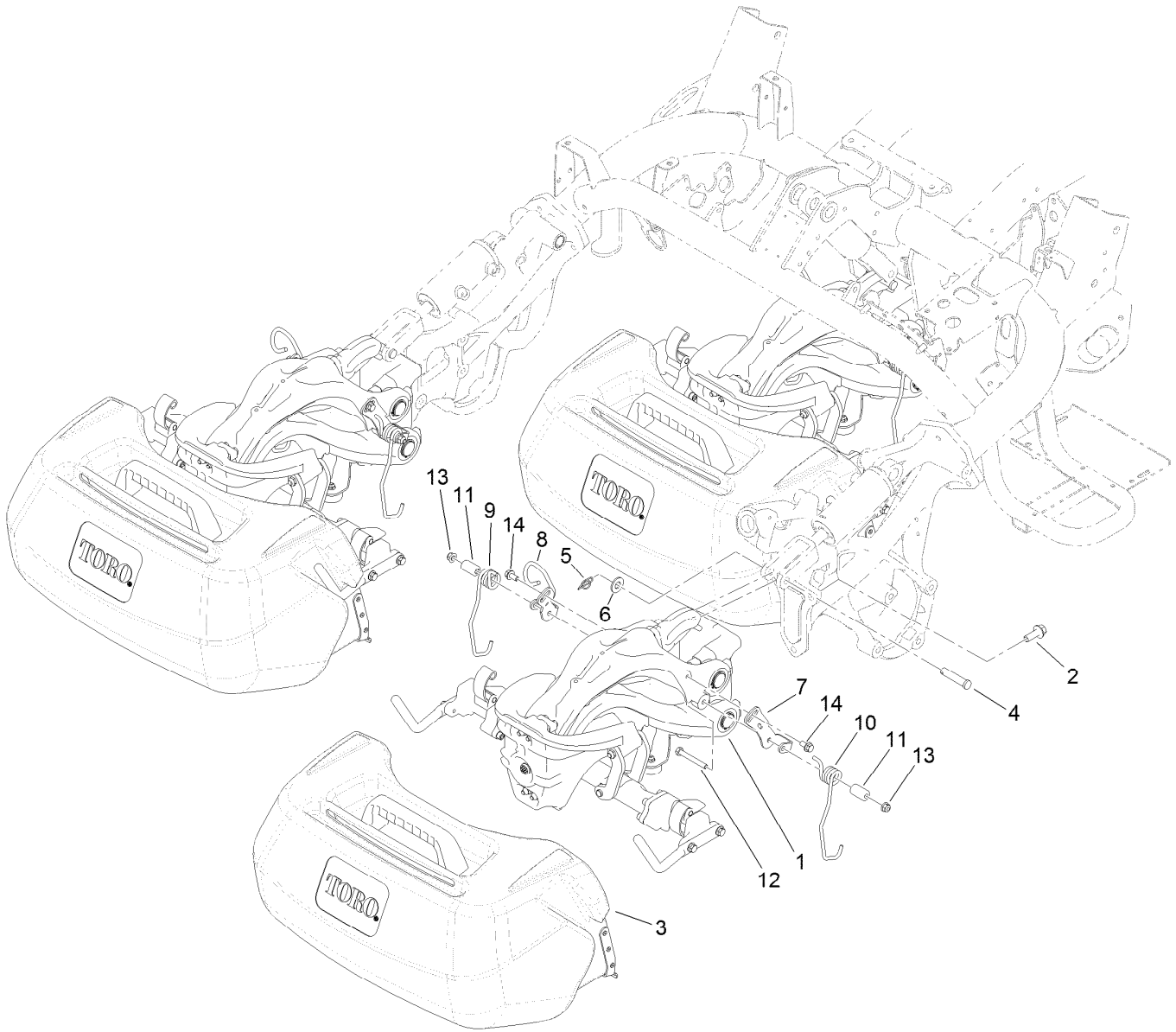
## Steering Circuit Assembly (3)

<i>Ref.</i>	<i>Part Number</i>	<i>Qty.</i>	<i>Description</i>
1	117-3685	1	Hose-HYD
2	117-3688	1	Hose-HYD



## Steering Circuit Assembly (4)

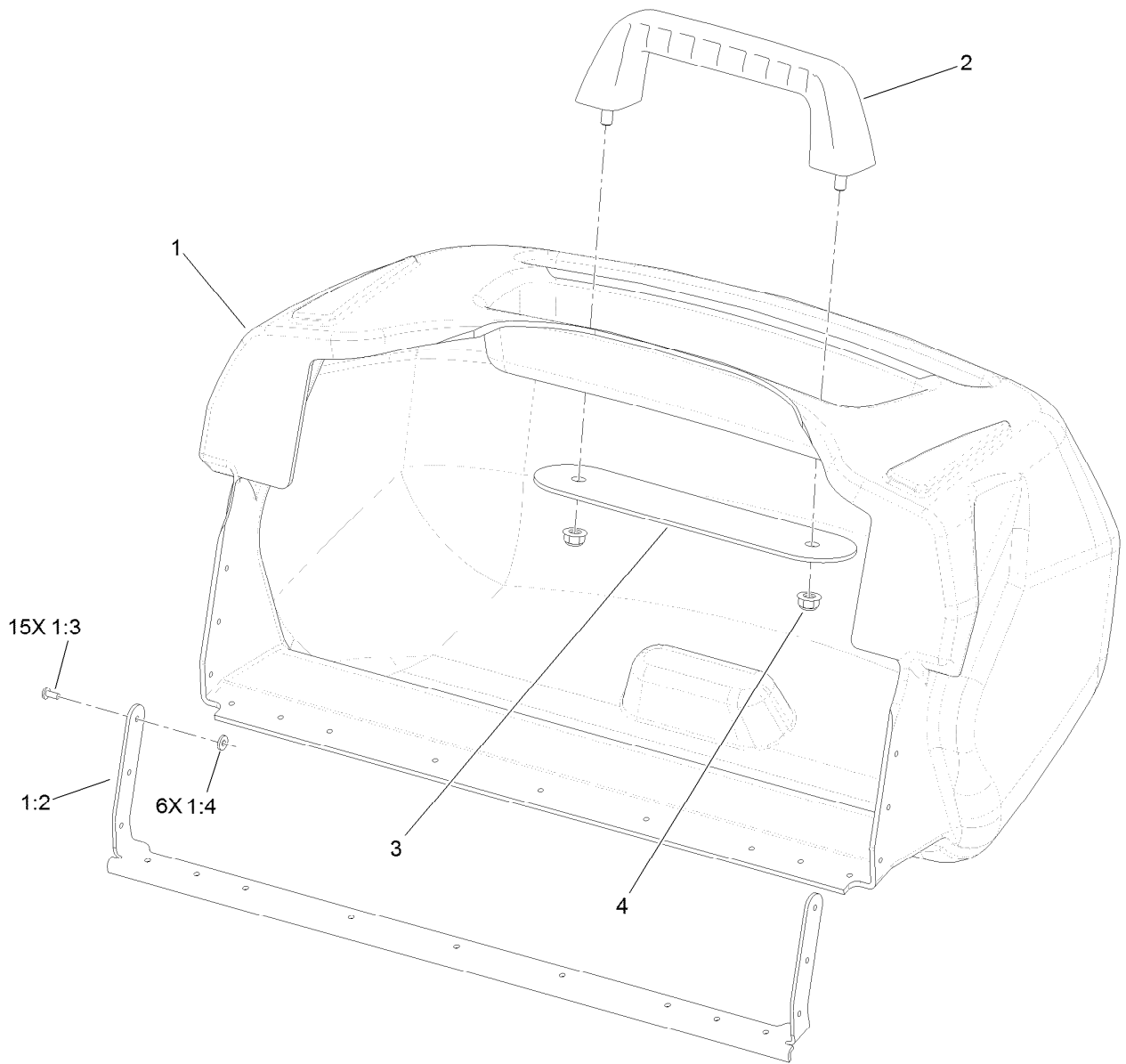
<i>Ref.</i>	<i>Part Number</i>	<i>Qty.</i>	<i>Description</i>
1	2412-34	2	Clamp-Hose
2	119-2068	1	Hose-Suction
3	120-1963	1	Hose-HYD
4	340-3	1	Fitting-Straight
4:1	237-22	1	O-Ring
4:2	237-79	1	O-Ring
5	2412-39	1	Clamp-R



## Suspension and Basket Assembly

Ref.	Part Number	Qty.	Description
1		3	Suspension ASM ●
2	117-9035	9	Screw-HHF
3	132-9599	3	Basket ASM
4	92-2739	3	Pin-Clevis
5	112-1491	3	Pin-Cotter
6	29-8910	3	Washer
7	133-8998	3	Retainer-Spring, LH
8	133-9025	3	Bracket ASM
9	117-6826	3	Spring-Stabilizer, RH
10	117-6827	3	Spring-Stabilizer, LH
11	117-6825	6	Spacer
12	322-12	6	Screw-HH
13	104-8300	6	Nut-HF, NI
14	114-7728	6	Screw-HF

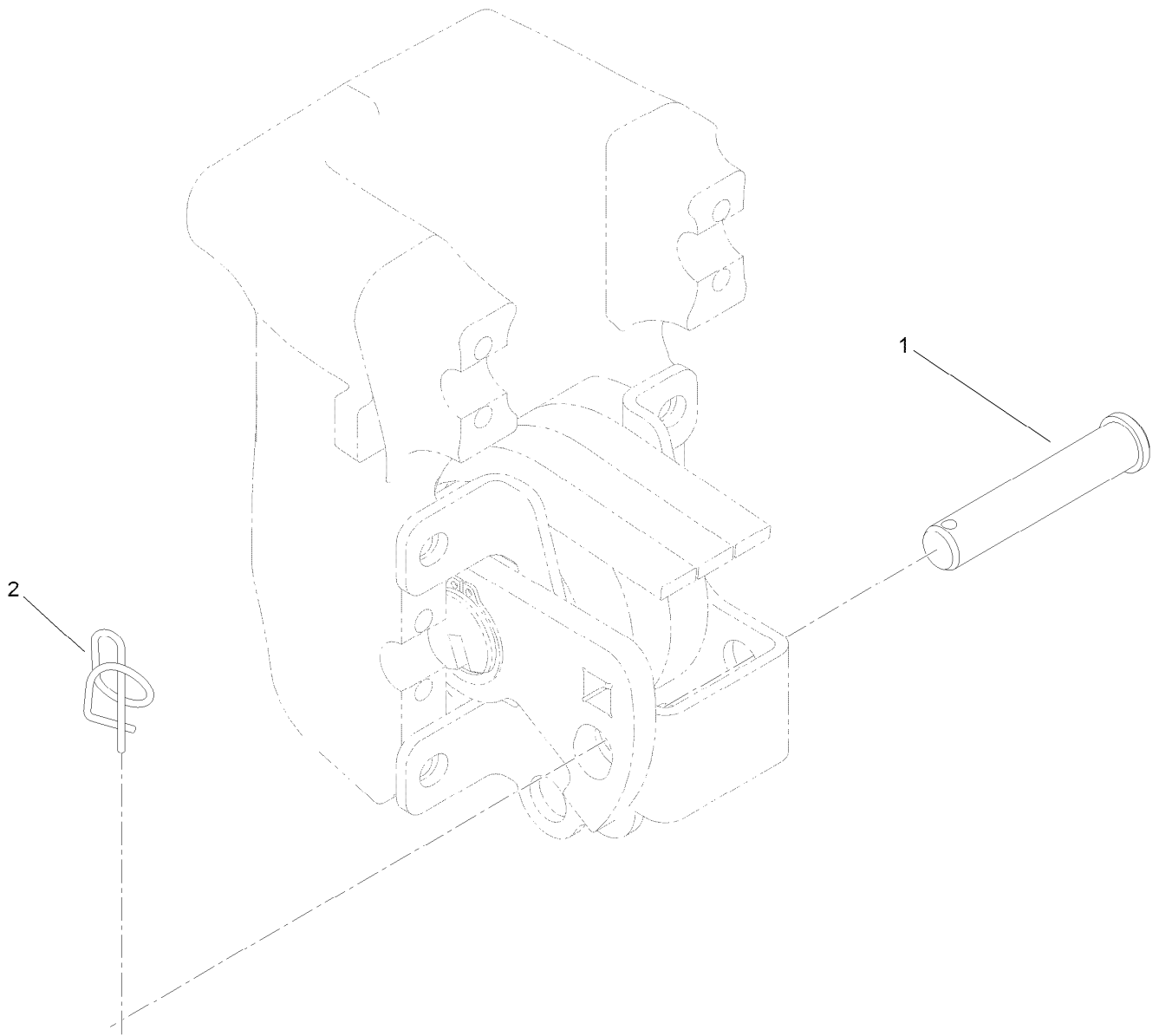
● Not serviced separately



## Basket Assembly No. 132-9599

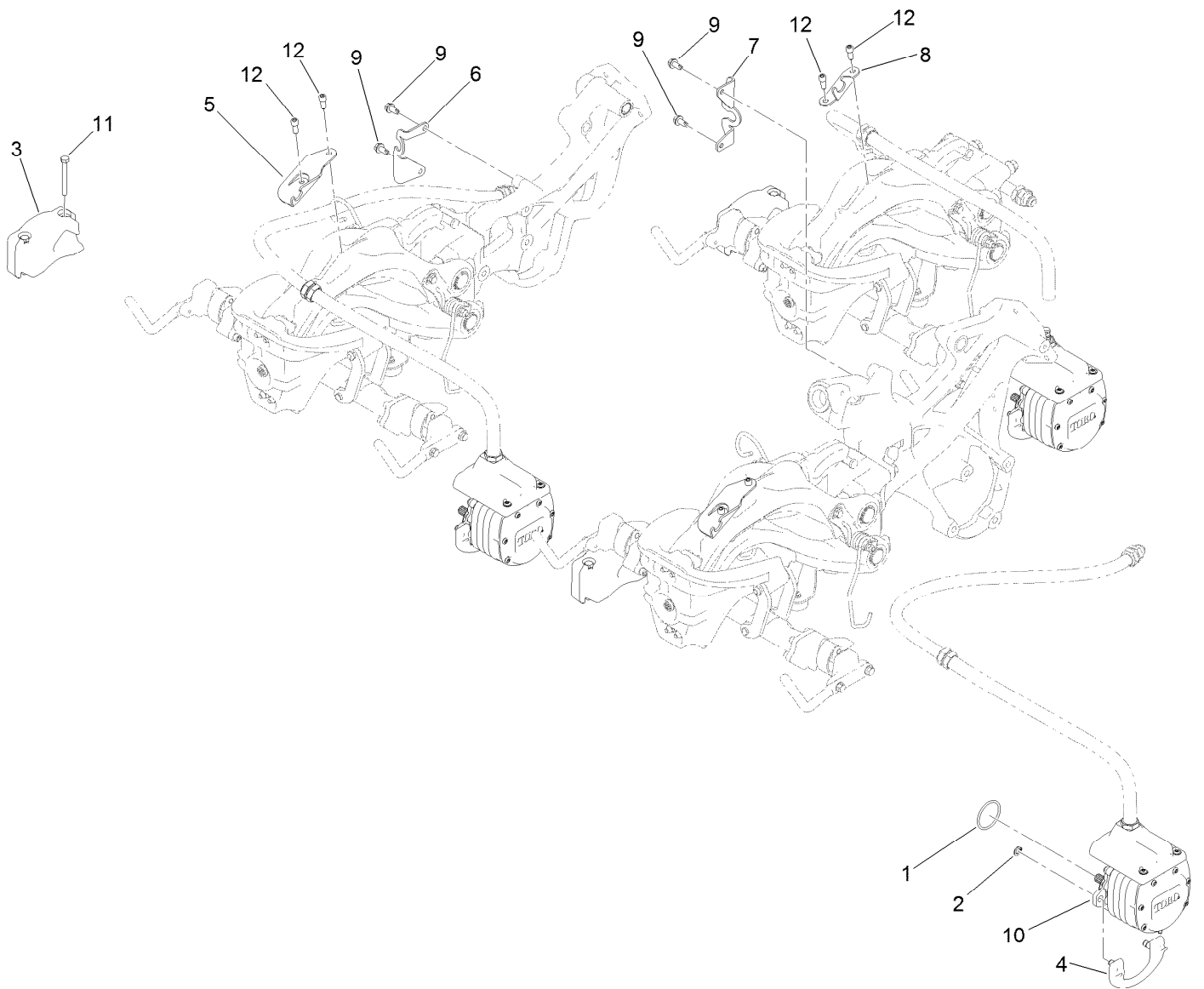
<i>Ref.</i>	<i>Part Number</i>	<i>Qty.</i>	<i>Description</i>
1	132-9510	1	Basket Assembly
1:2	132-3806	1	Support-Basket
1:3	3269-25	15	Rivet-Pop
1:4	3256-75	6	Washer-Flat
2	117-8088	1	Handle-Grab
3	117-8092-03	1	Plate-Mounting
4	104-8300	2	Nut-HF, NI





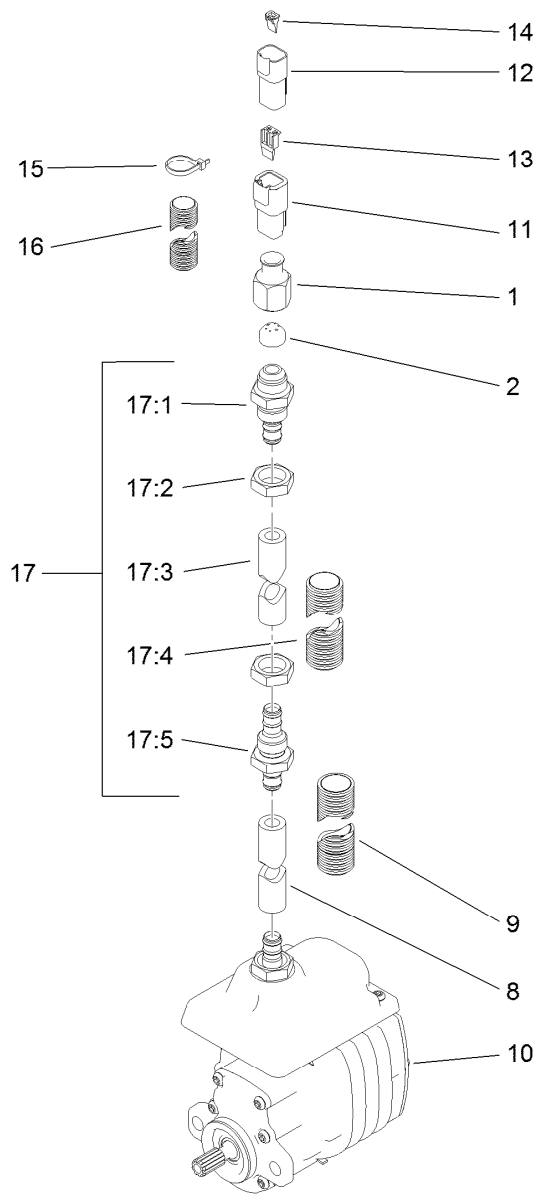
## Suspension Pin Position Assembly

<i>Ref.</i>	<i>Part Number</i>	<i>Qty.</i>	<i>Description</i>
1	100-6541	3	Pin-Clevis
2	112-1491	3	Pin-Cotter



## Electric Motor and Bracket Assembly

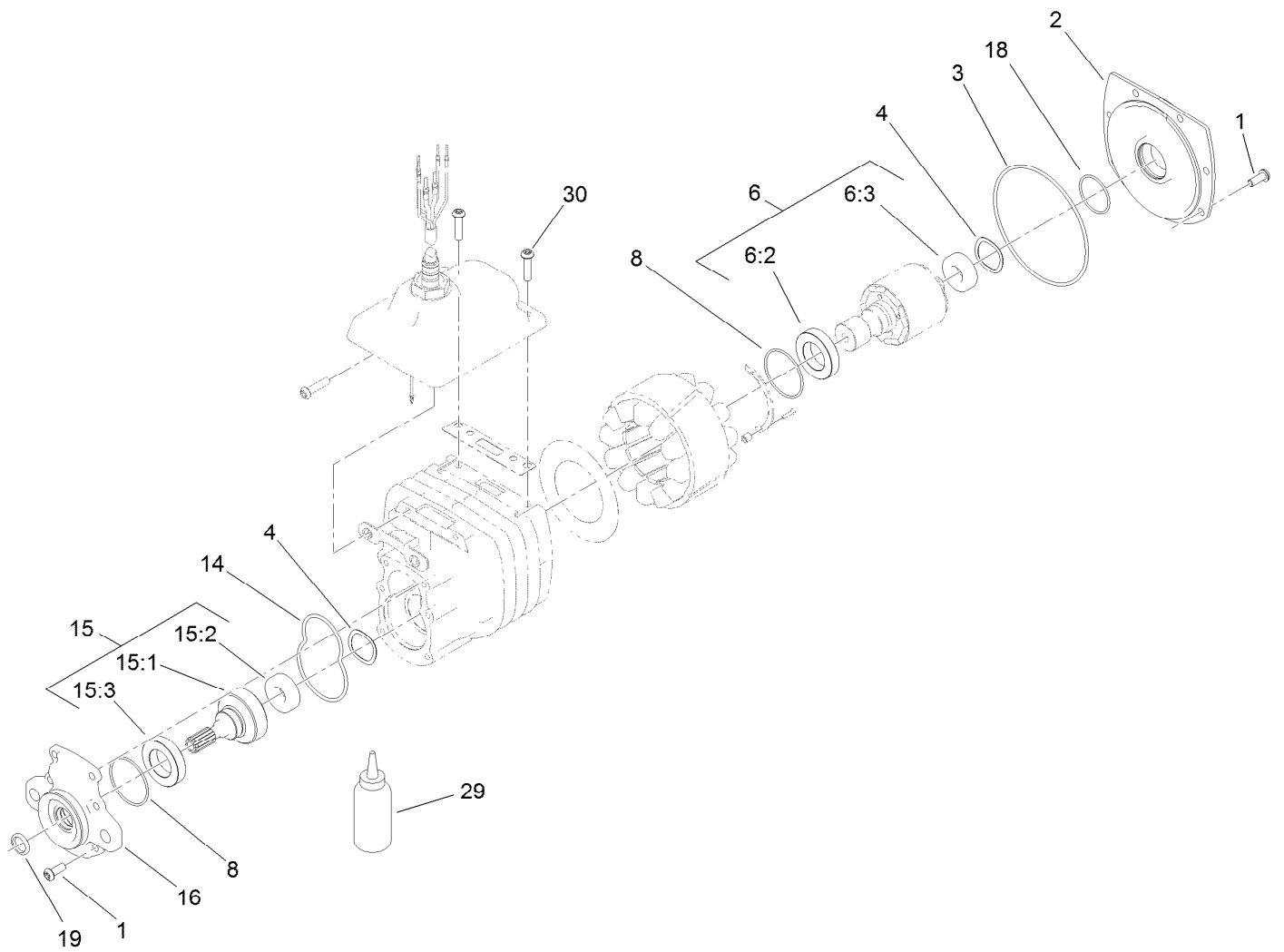
Ref.	Part Number	Qty.	Description
1	115-3298	3	O-Ring
2	133-8926	6	Ring-Retaining (Metric)
3	117-6774-03	3	Weight-Electric
4	115-5389	3	Cam-Mount, Motor
5	119-7487	2	Bracket-Clamp, Hose
6	138-9741	1	Brkt-Hose
7	120-4531	1	Bracket-Hose
8	119-7540	1	Bracket-Hose, Rear
9	32104-32	4	Screw-HWH
10	127-2450	3	Motor-Electric
11	322-13	6	Screw-HH
12	100-2401	6	Screw-HSH



## Electric Reel Motor Assembly No. 127-2450

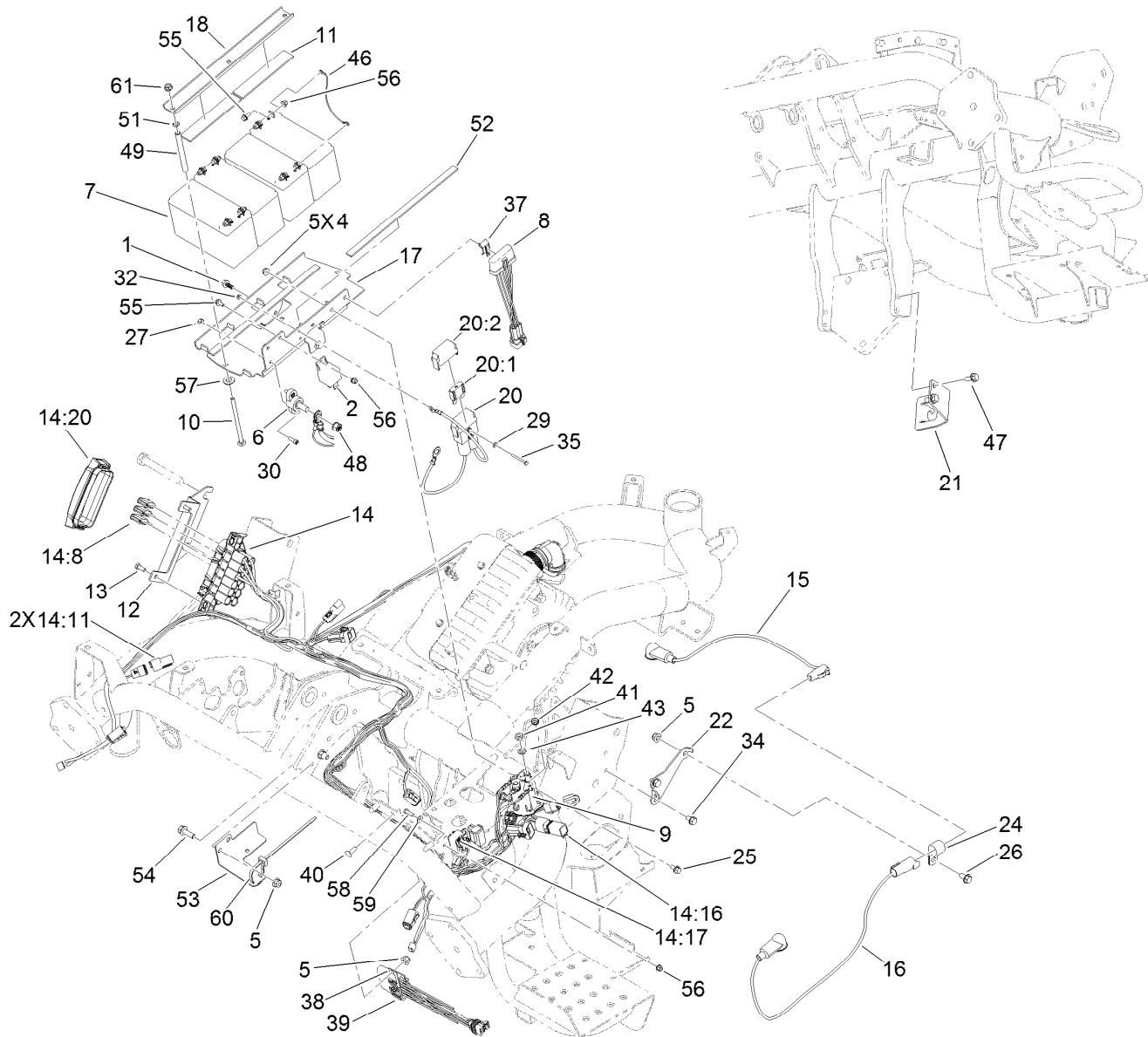
<i>Ref.</i>	<i>Part Number</i>	<i>Qty.</i>	<i>Description</i>	<i>Ref.</i>	<i>Part Number</i>	<i>Qty.</i>	<i>Description</i>
1	119-7481	1	Nut-Ferrule	15	3290-378	4	Tie-Cable
2	119-7480	1	Ferrule	16	120-3223	1	Tubing-Convoluted, Slit
8	119-7476	1	Hose	17	120-4532	1	Hose ASM
9	119-7558	1	Tubing-Convoluted, Slit	17:1	119-7545	1	Fitting-Bulkhead
10		1	Motor-Electric ●	17:2	119-7457	2	Nut
11	32160-245	1	Connector	17:3	119-7524	1	Hose
12	32160-315	1	Connector	17:4	119-7559	1	Tubing-Convoluted, Slit
13	32180-083	1	Wedge	17:5	119-7544	1	Fitting-Bulkhead
14	32180-084	1	Wedge				

● Not serviced separately



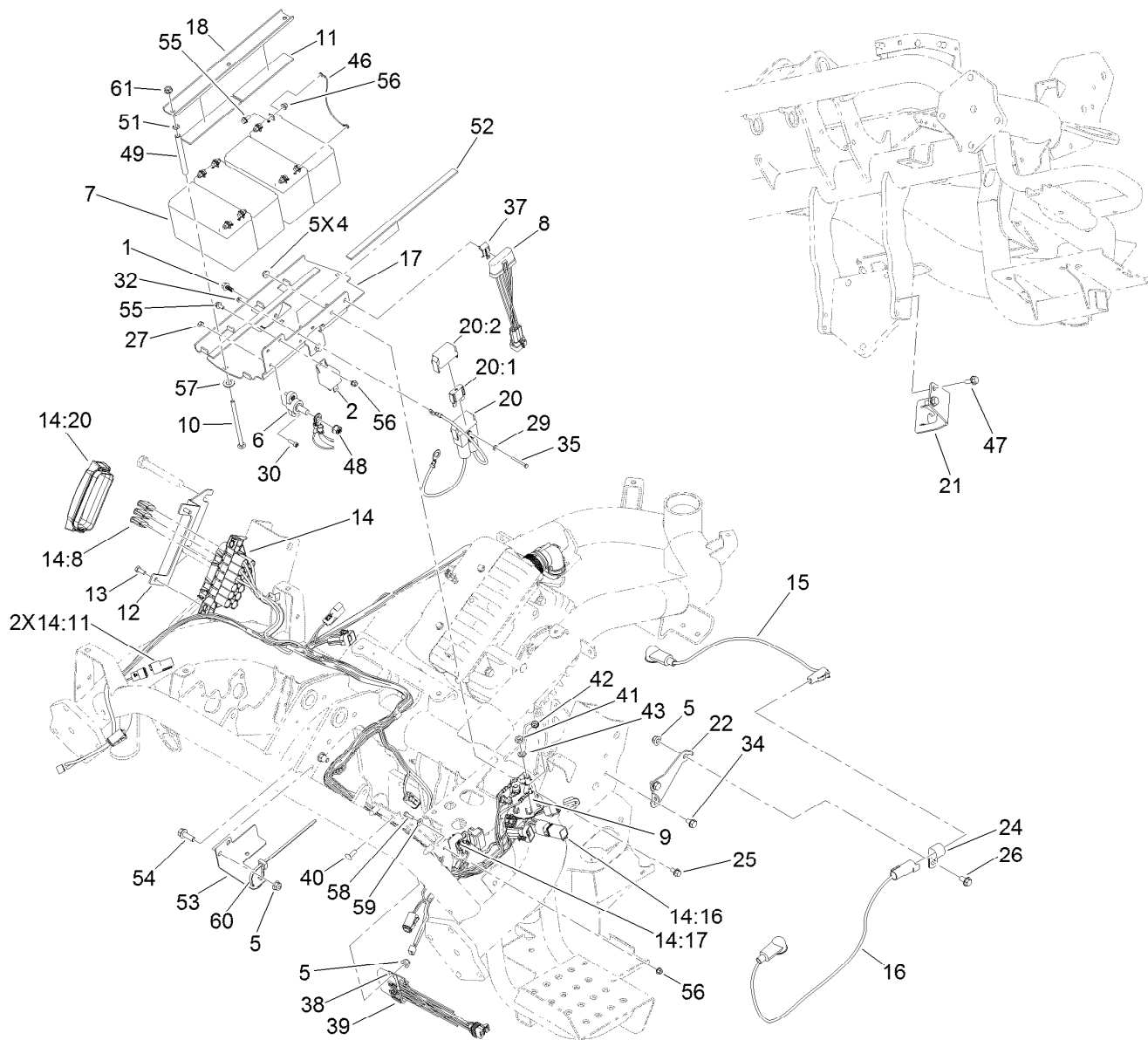
## Electric Motor Assembly

<i>Ref.</i>	<i>Part Number</i>	<i>Qty.</i>	<i>Description</i>	<i>Ref.</i>	<i>Part Number</i>	<i>Qty.</i>	<i>Description</i>
1	120-4559	12	Screw-BHCS	15	115-4782	1	Output Gear ASM
2	115-4779	1	Cover-Motor	15:1	112-5153	1	Gear-Output
3	112-9609	1	O-Ring	15:2	120-4557	1	Bearing
4	112-5163	2	Washer-Wave	15:3	112-5158	1	Bearing-Ball
6	119-7450	1	Rotor ASM	16	115-4777	1	Cover-Gearbox
6:2	112-5158	1	Bearing-Ball	18	119-1156	1	O-Ring
6:3	120-4557	1	Bearing	19	119-7451	1	Seal-Oil
8	112-9616	2	O-Ring	29	136-8595	1	Grease-Synthetic
14	112-9611	1	O-Ring	30	127-2424	2	Screw-BHCS



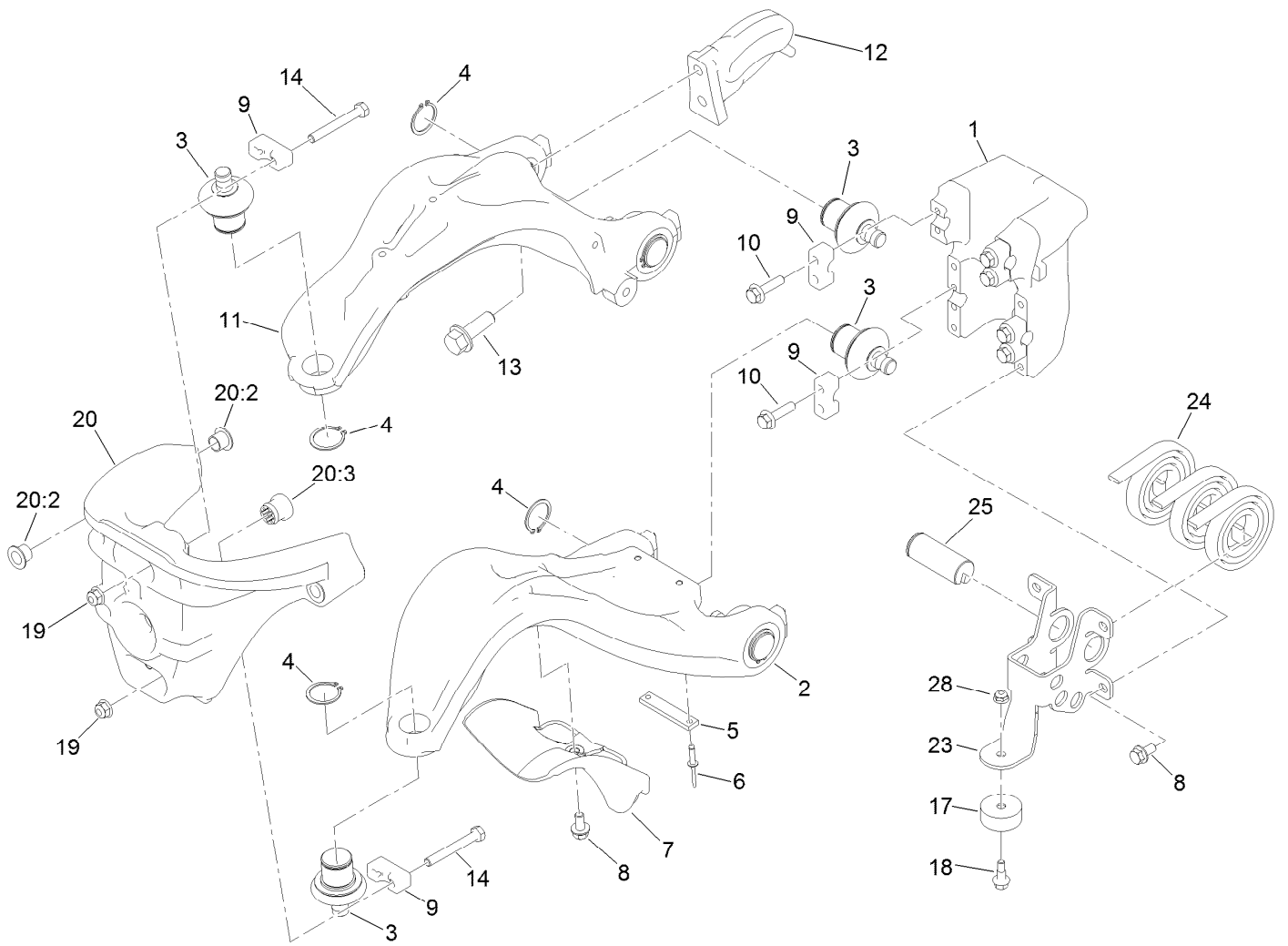
## Electric Mow Battery Assembly

Ref.	Part Number	Qty.	Description	Ref.	Part Number	Qty.	Description
1	99-6810	3	Screw-HHF	16	119-1784	1	Harness-Wire, Battery Disconnect
2	99-7435	1	Relay	17	132-3770-01	1	Plate-Battery
4	104-7201	5	Nut-HF	18	119-2104-01	1	Channel-Clamp, Battery
5	104-8300	3	Nut-HF, NI	20	119-5773	1	Harness-Wire
6	110-8823	1	Block-Junction	20:1	120-3954	1	Fuse-60 Amp
7	112-9621	4	Battery-Nonspillable	20:2	32180-085	1	Fuse-Cover
8	112-9630	1	Module-Reel, I.D.	21	119-7566-03	1	Bracket-Hose, Rear
9	122-1274	1	Contactor-DC, 48V	22	119-8175	1	Bracket-Disconnect
10	120-4585	3	Screw-CARR	24	2412-4	1	Clamp-R
11	115-9477	2	Strip-Foam	25	3234-13	2	Screw-HHF
12	131-3100-03	1	Bracket-Holder, Fuse	26	3234-7	1	Screw-HHF
13	33113-016	2	Screw-HH	27	3296-21	2	Nut-Hex
14	122-0523	1	Harness-Wire	29	3256-12	2	Washer-Flat
14:8	122-0255	3	Fuse-Maxi, 35 Amp-58V	30	3273-26	2	Screw-HSH
14:11	32180-043	2	Resistor-120 Ohm	32	3296-9	2	Nut-Hex
14:16	119-7781	1	Diode-Sealed	34	32104-82	2	Screw-HHF
14:17	120-3958	1	Fuse-Blade, 10A	35	32105-21	2	Screw-HH
14:20	32180-146	1	Cover-Fuse	37	32180-011	1	Clip-Connector
15	119-1783	1	Harness-Wire, Battery Disconnect	38	32180-020	1	Clip-Connector
				39	119-4330	1	Isolated Can Module ASM



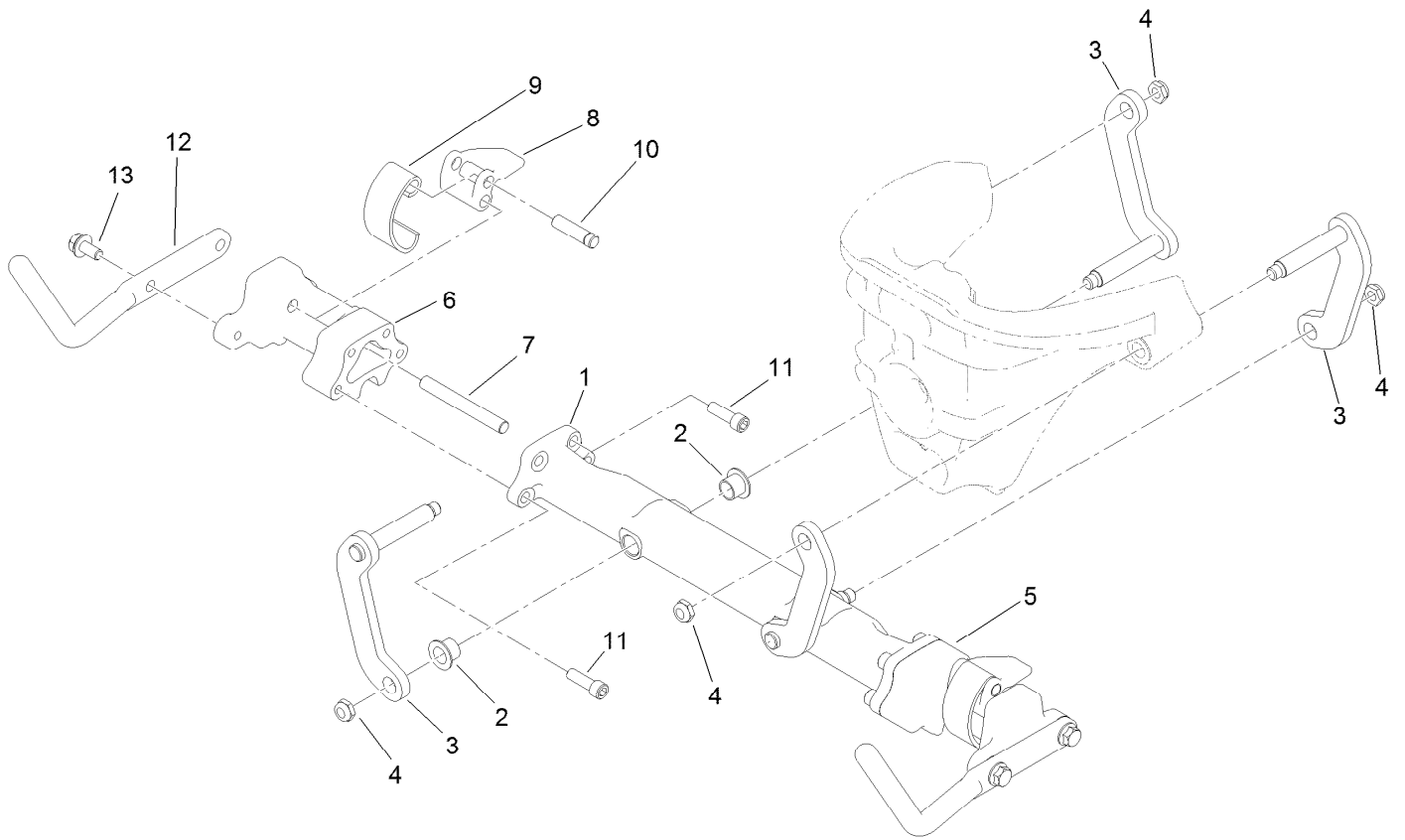
## Electric Mow Battery Assembly (continued)

<i>Ref.</i>	<i>Part Number</i>	<i>Qty.</i>	<i>Description</i>	<i>Ref.</i>	<i>Part Number</i>	<i>Qty.</i>	<i>Description</i>
40	1-807512	1	Bolt-CARR	52	115-8827	2	Foam-Strip
41	3220-2	2	Nut-Jam	53	120-4570	1	Bracket-Harness
42	32149-8	2	Nut-Keps	54	3234-29	2	Screw-HHF
43	3253-4	2	Washer-Lock	55	120-4579	9	Screw-HHF
46	119-1782	3	Harness-Wire, Jumper (Battery)	56	120-4580	10	Nut-HF
47	32144-14	2	Screw-HWHTF	57	48-9220	3	Washer-Plain
48	32149-10	1	Nut-Keps	58	60-6910	1	Screw-HH
49	120-4586	3	Tube	59	3256-14	1	Washer-Flat
51	1-803037	3	Nut-Retaining	60	3290-378	1	Tie-Cable
				61	32128-33	3	Nut-HF



## Suspension A-Arm Assembly

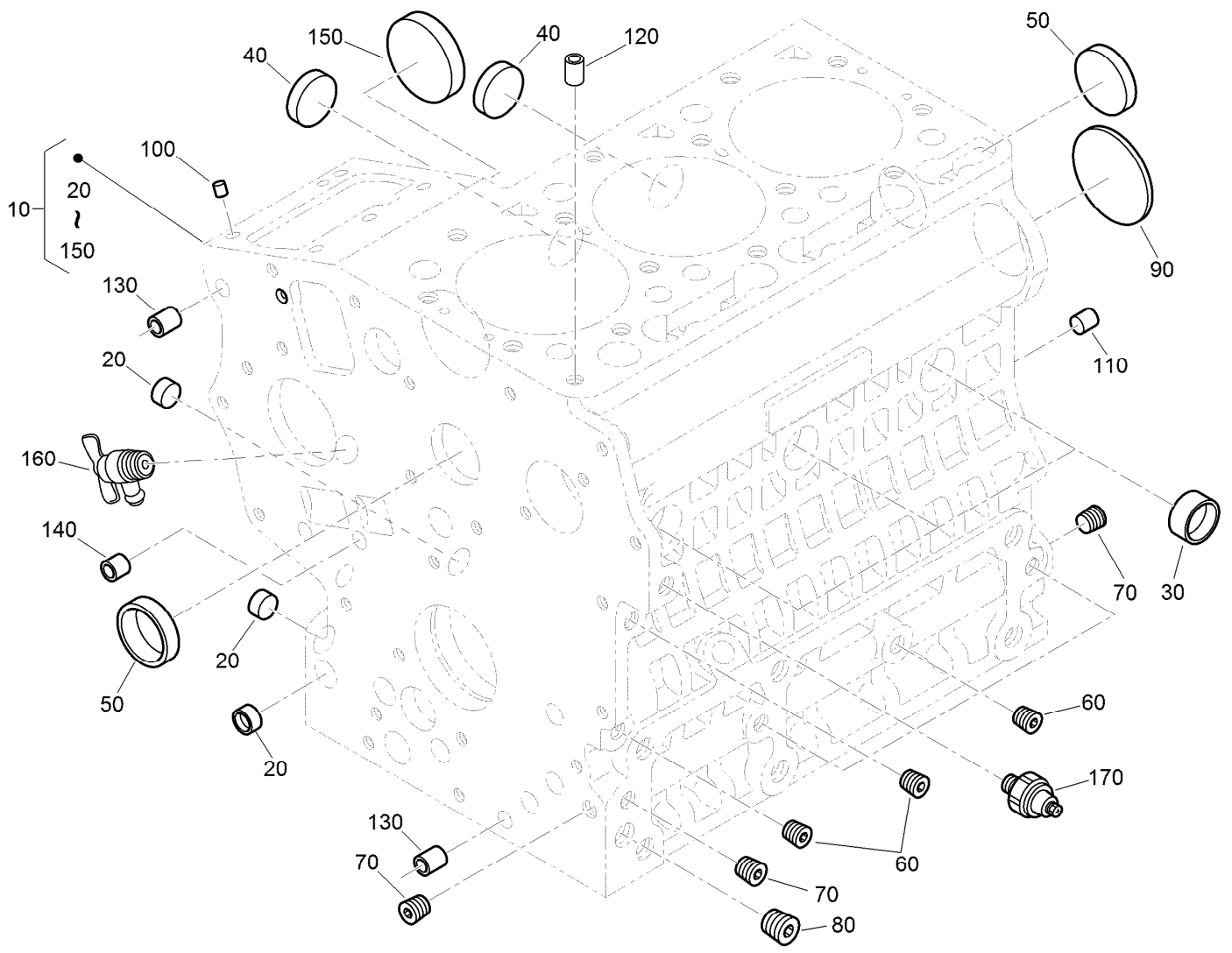
Ref.	Part Number	Qty.	Description	Ref.	Part Number	Qty.	Description
1	117-9480	1	Mount-Pivot, A-Arms	13	100-6116	2	Screw-HHF
2	117-6656	1	A-Arm, Lower	14	132-3838	4	Screw-HH
3	132-6959	6	Balljoint	17	133-0308	1	Bumper-Rubber
4	120-3225	6	Ring-Retaining, EXT	18	133-0315	1	Screw-Shoulder, HF
5	117-6674	1	Plate-Striker	19	104-8300	4	Nut-HF, NI
6	3269-28	2	Rivet-Pop	20	120-3216	1	Steering Head ASM
7	117-6755	1	Stop-Steering	20:2	125-5239	4	Bushing-Flange
8	114-7728	5	Screw-HF	20:3	131-1836	1	Grommet
9	112-5647	6	Clamp	23	133-8999	1	C-Balance Mount
10	132-3837	8	Screw-HHF	24	114-9306	3	Spring
11	139-6452	1	A-Arm, Upper	25	131-4402	1	Tensioner
12	139-8407	1	Plate-Lift	28	104-7201	1	Nut-HF



## Suspension Crossarm Assembly

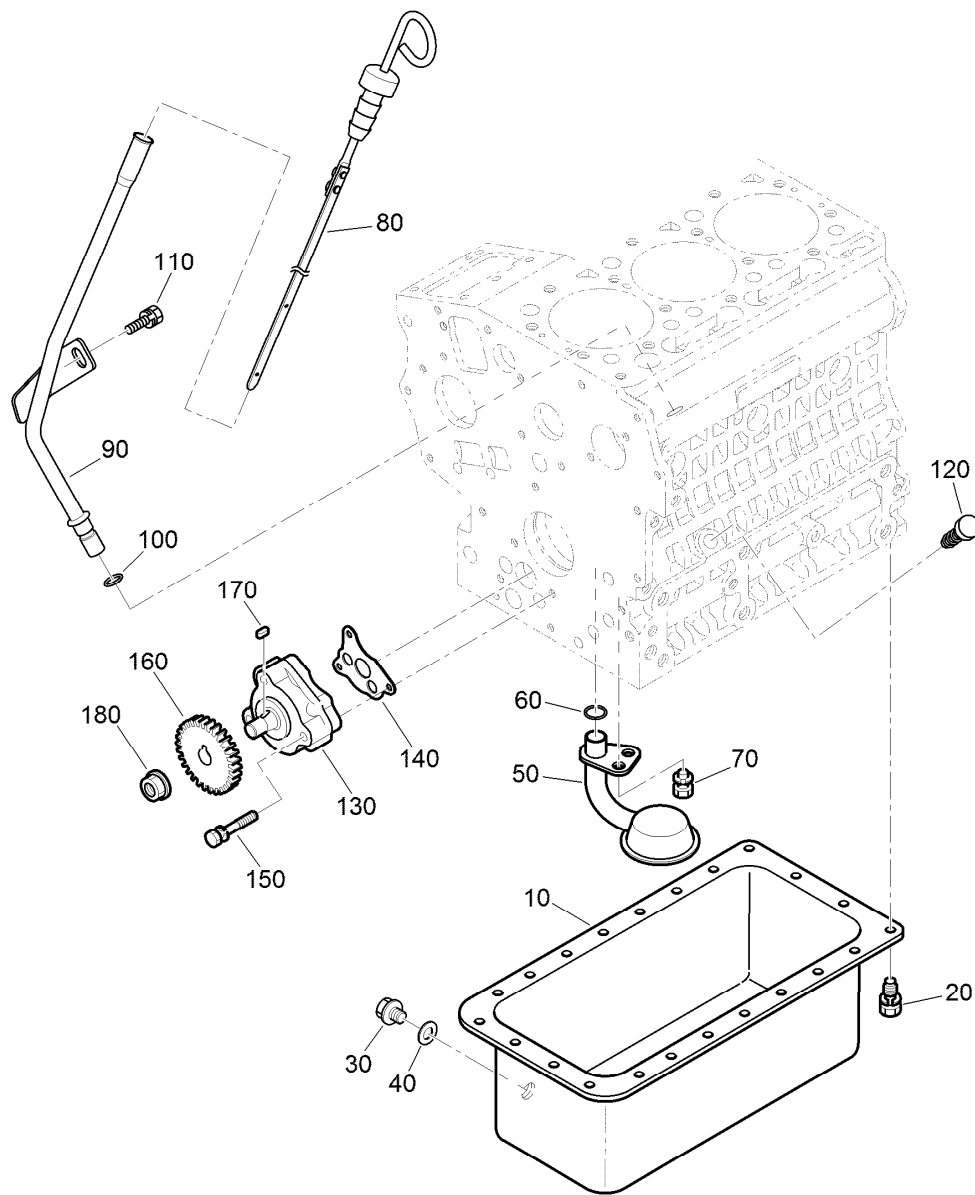
<i>Ref.</i>	<i>Part Number</i>	<i>Qty.</i>	<i>Description</i>
1	120-3217	1	Crossarm
2	125-5239	4	Bushing-Flange
3	117-6654	4	Link
4	3296-59	4	Nut-Lock, NI
5	117-9482	1	Mount-Cross Arm, LH
6	117-9492	1	Mount-Cross Arm, RH
7	114-8051	2	Pin-Pivot
8	114-8047	2	Lever
9	114-8048	2	Spring
10	114-8049	2	Pin-Pivot
11	120-3227	8	Screw-HSH
12	120-2784-01	2	Horn-Basket
13	114-7728	4	Screw-HF





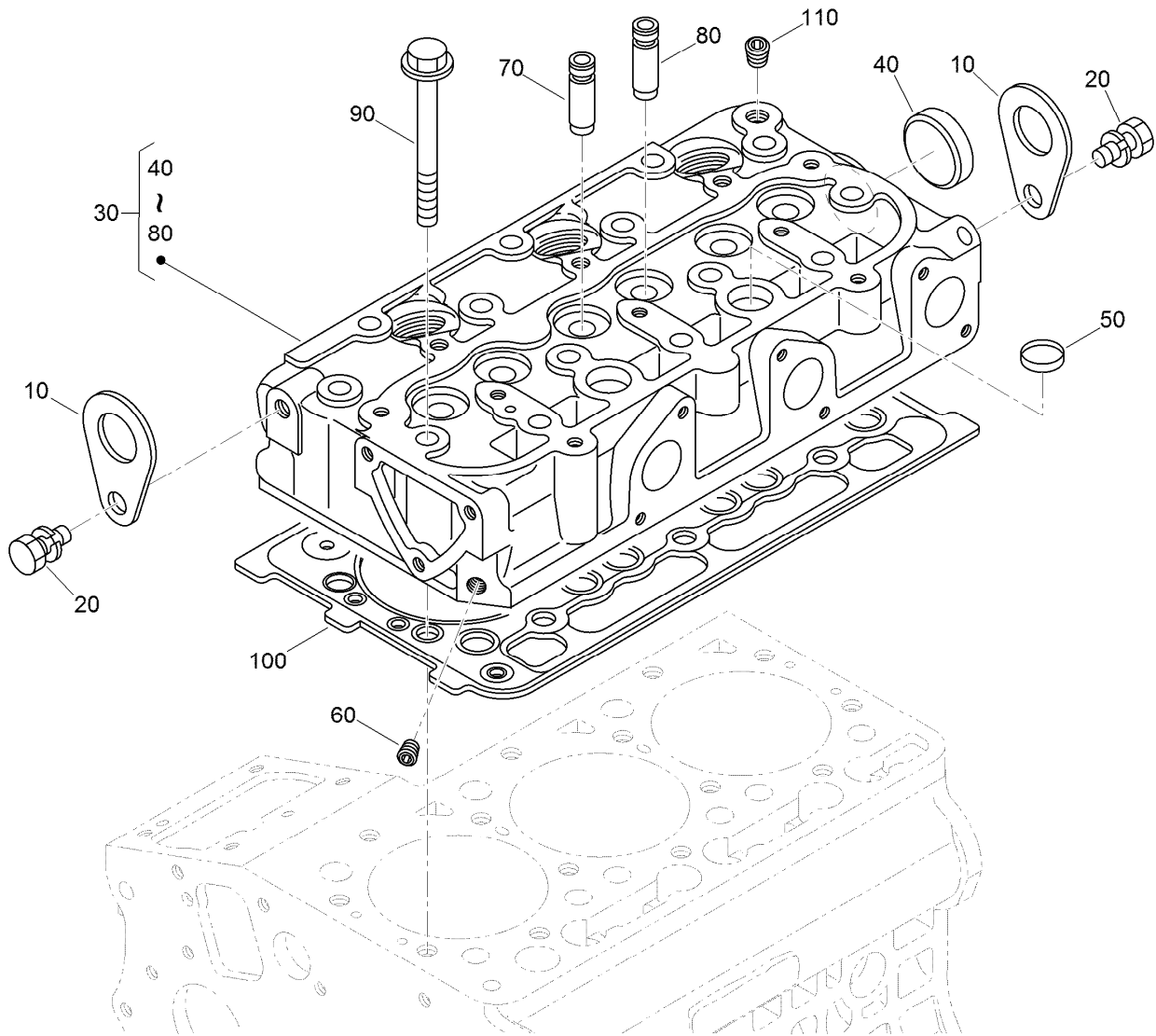
## Crankcase Assembly

<i>Ref.</i>	<i>Part Number</i>	<i>Qty.</i>	<i>Description</i>	<i>Ref.</i>	<i>Part Number</i>	<i>Qty.</i>	<i>Description</i>
10	130-1486	1	Crankcase ASM	100	98-9375	2	Pin-Straight
20	100-2019	3	Cap-Sealing	110	98-9377	2	Pin-Straight
30	100-2020	3	Cap-Sealing	120	98-7506	1	Pin-Pipe
40	110-3702	2	Cap-Sealing	130	100-2051	2	Pin-Pipe
50	98-9398	2	Cap-Sealing	140	100-2051	2	Pin-Pipe
60	98-9687	5	Plug	150	100-1991	1	Cover-Fuel, Camshaft
70	98-7487	3	Plug	160	120-3121	1	Draincock ASM
80	98-7488	1	Plug	170	98-7764	1	Switch-Oil
90	100-1851	1	Plug-Expansion				



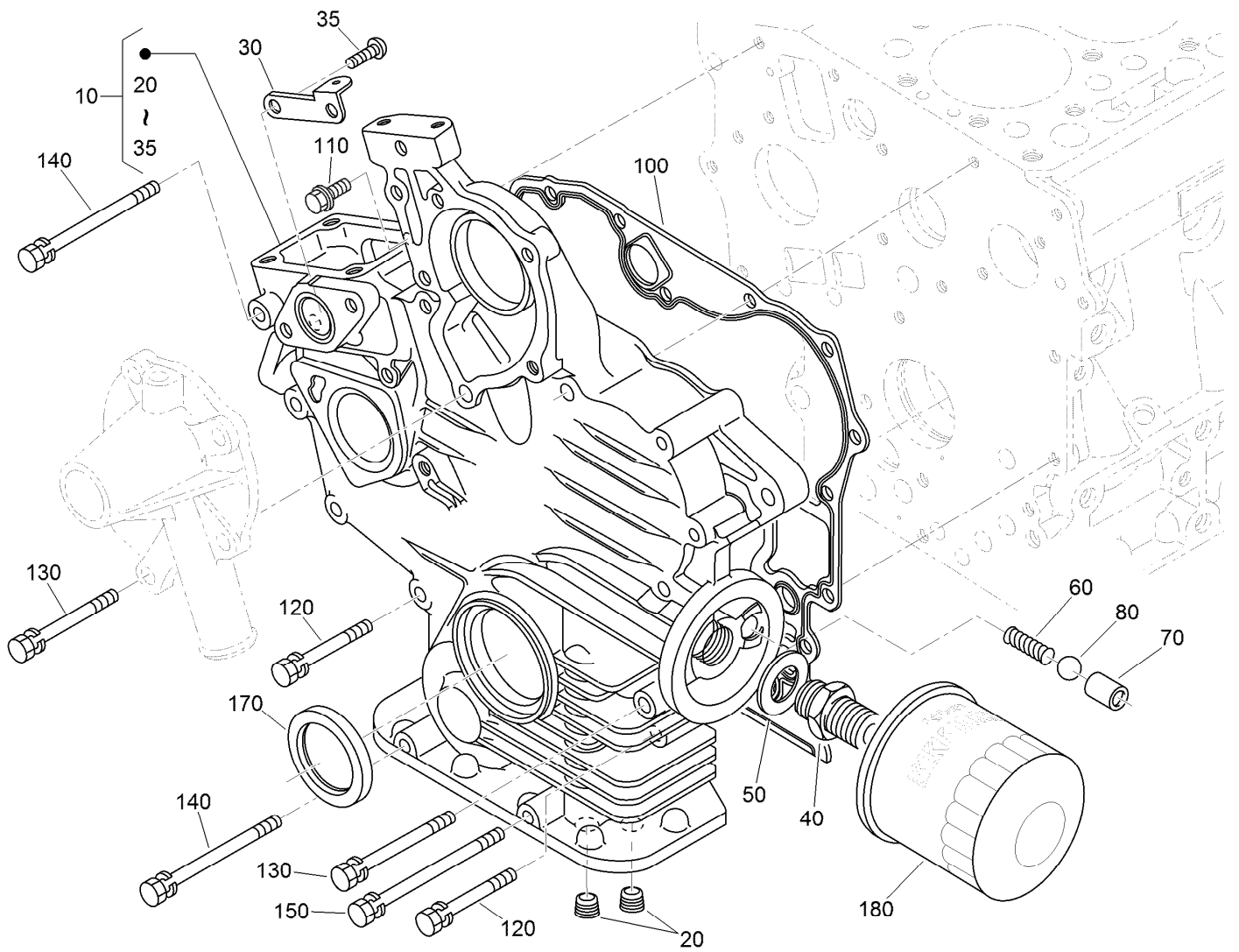
## Oil Pan, Oil Pump and Dipstick Assembly

<i>Ref.</i>	<i>Part Number</i>	<i>Qty.</i>	<i>Description</i>	<i>Ref.</i>	<i>Part Number</i>	<i>Qty.</i>	<i>Description</i>
10	120-3122	1	Oil Pan ASM	100	98-9722	1	O-Ring
20	98-9350	22	Bolt	110	115-8504	1	Bolt-Flange
30	114-8151	1	Plug-Drain	120	110-3720	1	Plug-Gauge, Oil
40	98-7524	1	Gasket	130	100-2002	1	Oil Pump ASM
50	100-2001	1	Strainer-Pickup, Oil	140	100-2003	1	Gasket-Pump, Oil
60	105-3776	1	O-Ring	150	100-1923	3	Bolt
70	100-9195	1	Bolt	160	130-1419	1	Gear-Drive, Oil Pump
80	120-3124	1	Gauge-Oil	170	98-7658	1	Key-Feather
90	120-3125	1	Guide-Gauge, Oil	180	100-1779	1	Nut-Flange



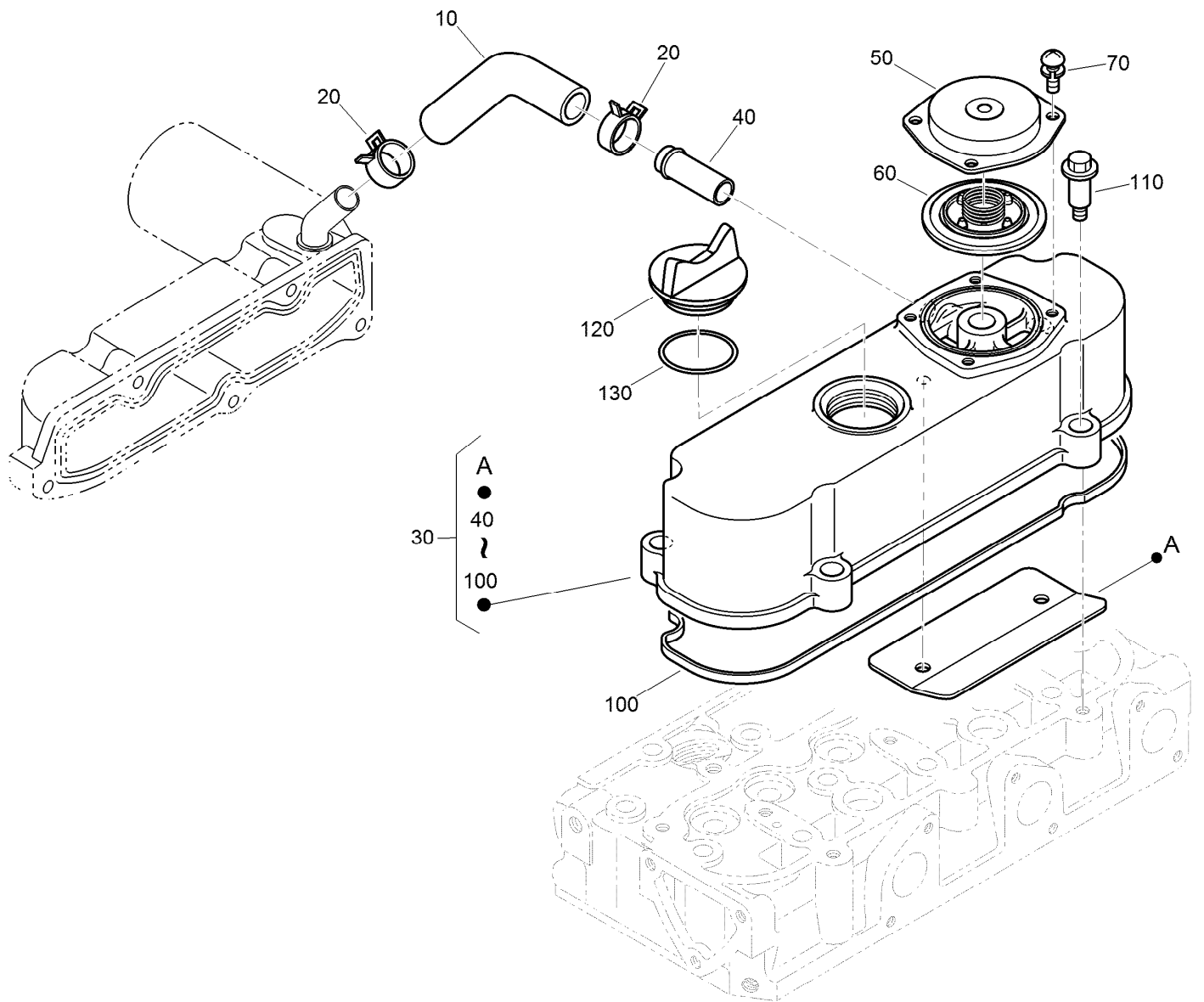
## Cylinder Head Assembly

Ref.	Part Number	Qty.	Description
10	98-7531	2	Hook-Engine
20	98-7526	2	Bolt
30	130-1504	1	Cylinder Head ASM
40	105-3705	1	Cap-Sealing
50	98-9389	2	Cap-Sealing
60	98-9687	1	Plug
70	100-1882	3	Guide-Valve, Inlet
80	100-1883	3	Guide-Valve, Exhaust
90	100-1820	14	Bolt-Head, Cylinder
100	112-2520	1	Gasket-Head, Cylinder
110	98-9444	1	Plug



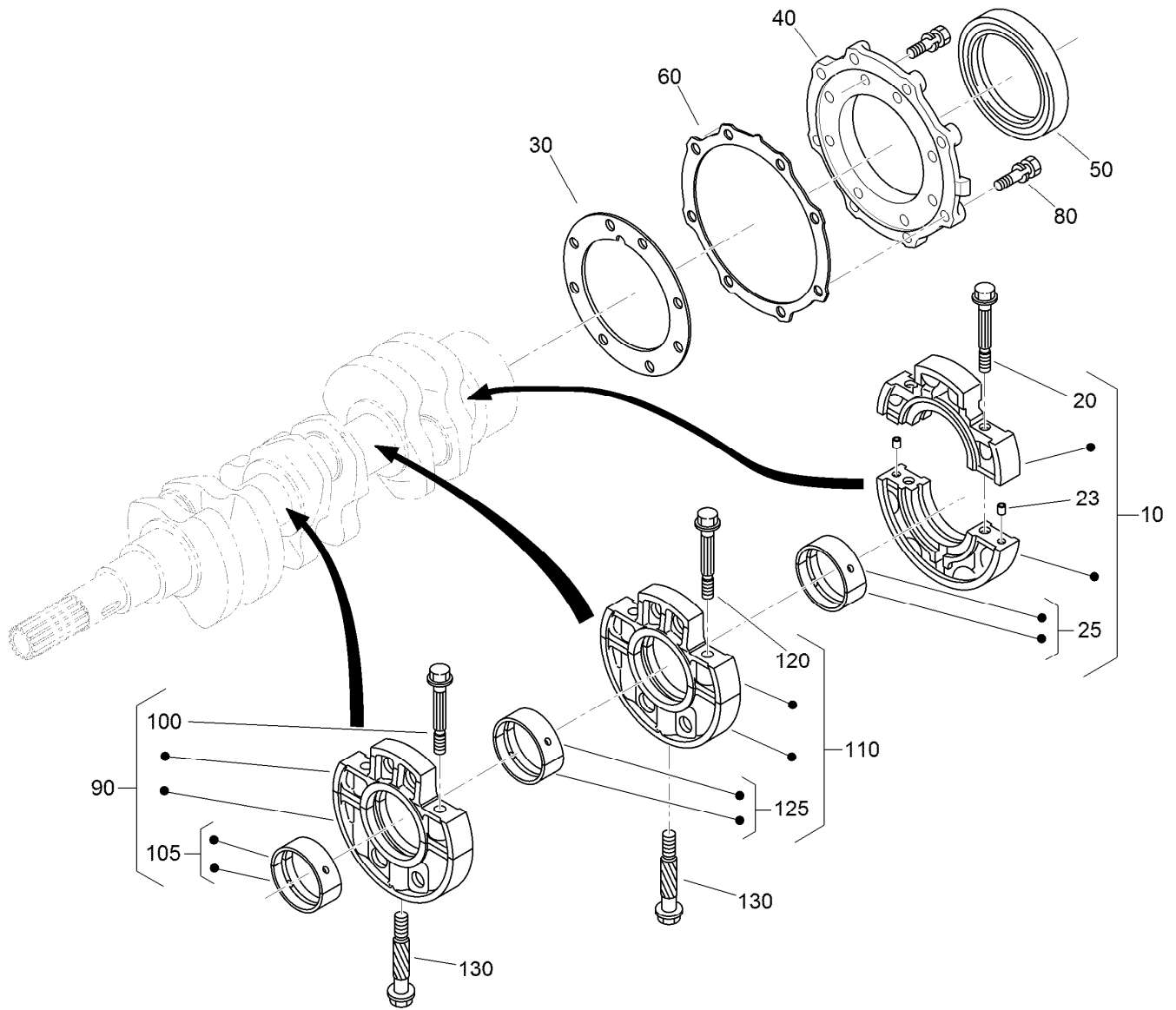
## Gear Case and Oil Filter Cartridge Assembly

<i>Ref.</i>	<i>Part Number</i>	<i>Qty.</i>	<i>Description</i>	<i>Ref.</i>	<i>Part Number</i>	<i>Qty.</i>	<i>Description</i>
10	120-3138	1	Gear Case ASM	100	117-0327	1	Gasket-Case, Gear
20	98-7488	2	Plug	110	127-0403	1	Bolt-Flange
30	110-3708	1	Stay-Spring, Start	120	125-9063	9	Bolt-Sems
35	100-2040	2	Screw	130	100-1922	2	Bolt
40	98-9388	1	Joint-Pipe	140	98-9357	2	Bolt
50	100-1926	1	Washer-Plain	150	110-3710	1	Bolt
60	100-2004	1	Spring	170	120-7852	1	Seal-Oil
70	100-1894	1	Seat-Valve	180	115-8189	1	Filter-Oil, Engine
80	100-1792	1	Ball				



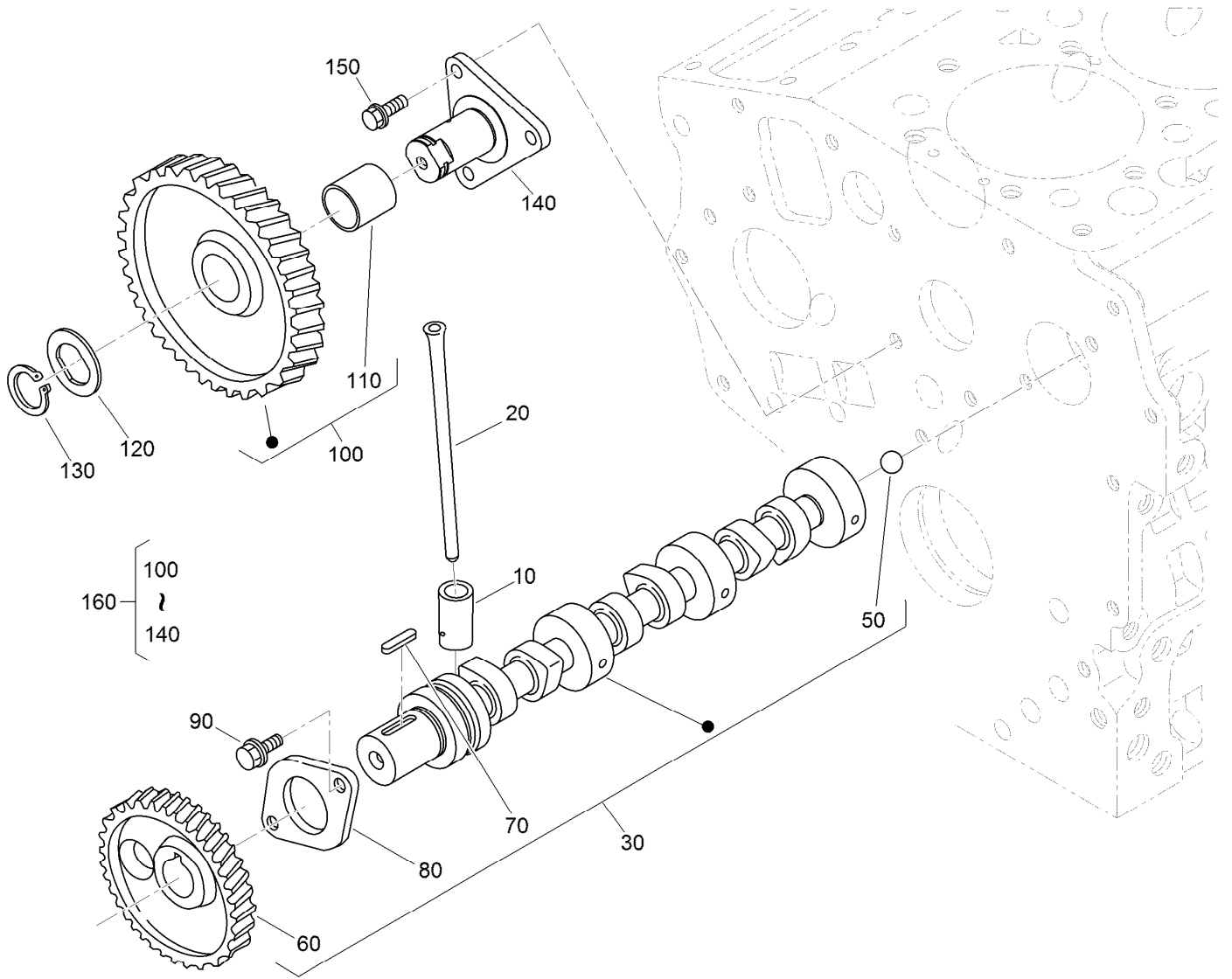
## Cylinder Head Cover Assembly

Ref.	Part Number	Qty.	Description
10	120-3139	1	Tube-Breather
20	110-3712	2	Clamp-Hose
30	112-8332	1	Cylinder Head Cover ASM
40	98-9580	1	Pipe-Return, Water
50	110-3714	1	Cover-Breather
60	110-3715	1	Valve-Breather
70	98-9364	4	Screw (With Washer)
100	112-2521	1	Gasket-Cover, Head
110	108-7063	4	Bolt
120	107-9075	1	Plug-Filler, Oil
130	99-3446	1	O-Ring



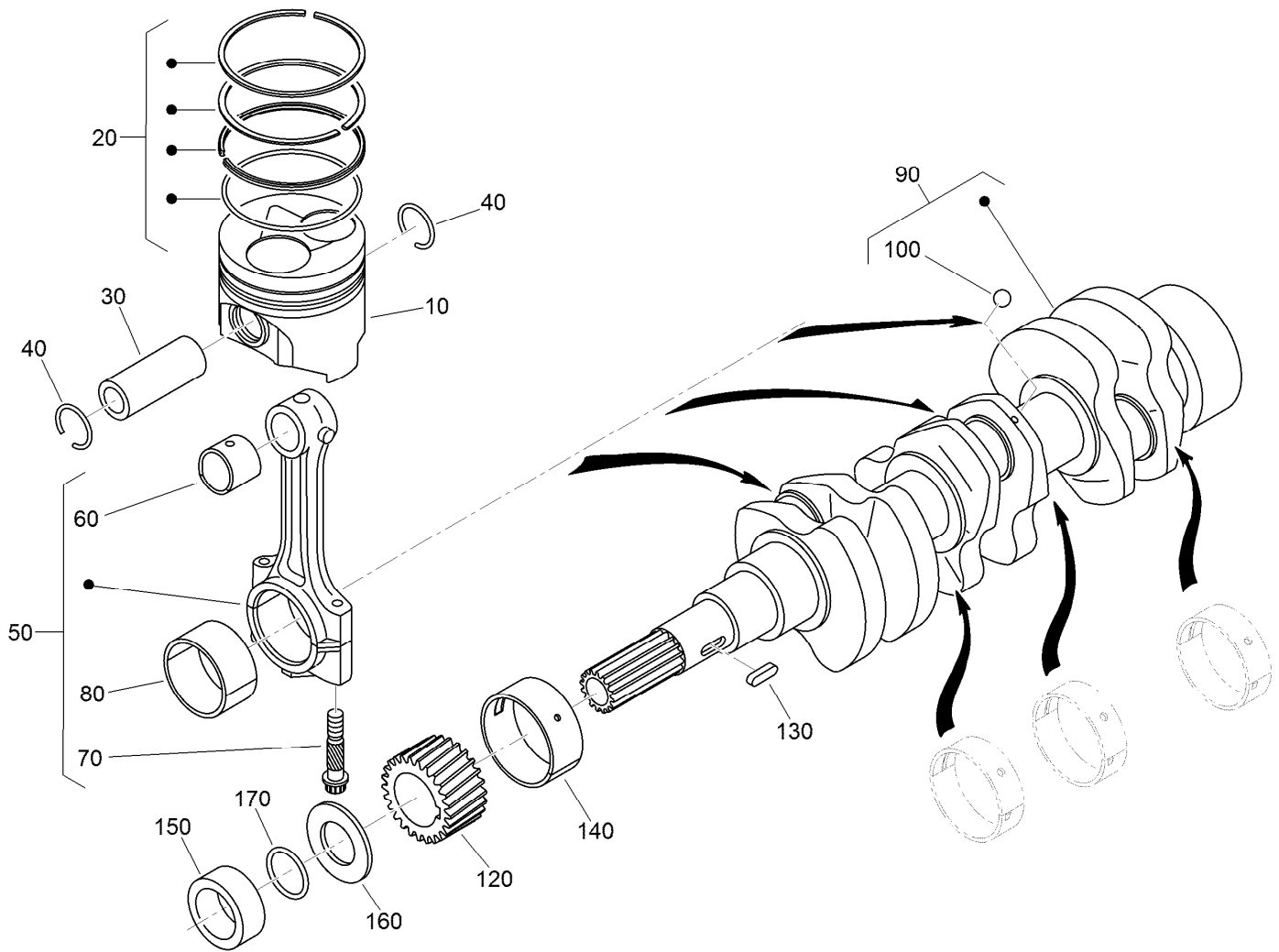
## Main Bearing Case Assembly

Ref.	Part Number	Qty.	Description	Ref.	Part Number	Qty.	Description
10	125-9064	1	Wheel Bearing Case ASM	105	110-3741	1	Crankshaft Metal ASM (STD)
20	125-9065	2	Bolt-Flange	105	125-9083	1	Crankshaft Metal ASM (-0.20Mm)
23	125-9082	2	Pin-Straight	105	110-3743	1	Crankshaft Metal ASM (-0.40Mm)
25	125-9066	1	Crankshaft Metal ASM (STD)	110	125-9069	1	Main Case Bearing ASM
25	125-9067	1	Crankshaft Metal ASM (-0.20Mm)	120	110-3723	2	Bolt-Case, Bearing
25	125-9068	1	Crankshaft Metal ASM (-0.40Mm)	125	110-3741	1	Crankshaft Metal ASM (STD)
30	100-1873	1	Gasket-Case, Bearing	125	125-9083	1	Crankshaft Metal ASM (-0.20Mm)
40	112-8334	1	Cover-Case, Bearing	125	110-3743	1	Crankshaft Metal ASM (-0.40Mm)
50	110-3724	1	Seal-Oil	130	100-1874	2	Bolt-Case, Bearing
60	100-1876	1	Gasket-Cover, Case				
80	100-1750	16	Bolt				
90	110-3725	1	Main Bearing Case ASM				
100	110-3723	2	Bolt-Case, Bearing				



## Camshaft and Idle Gear Shaft Assembly

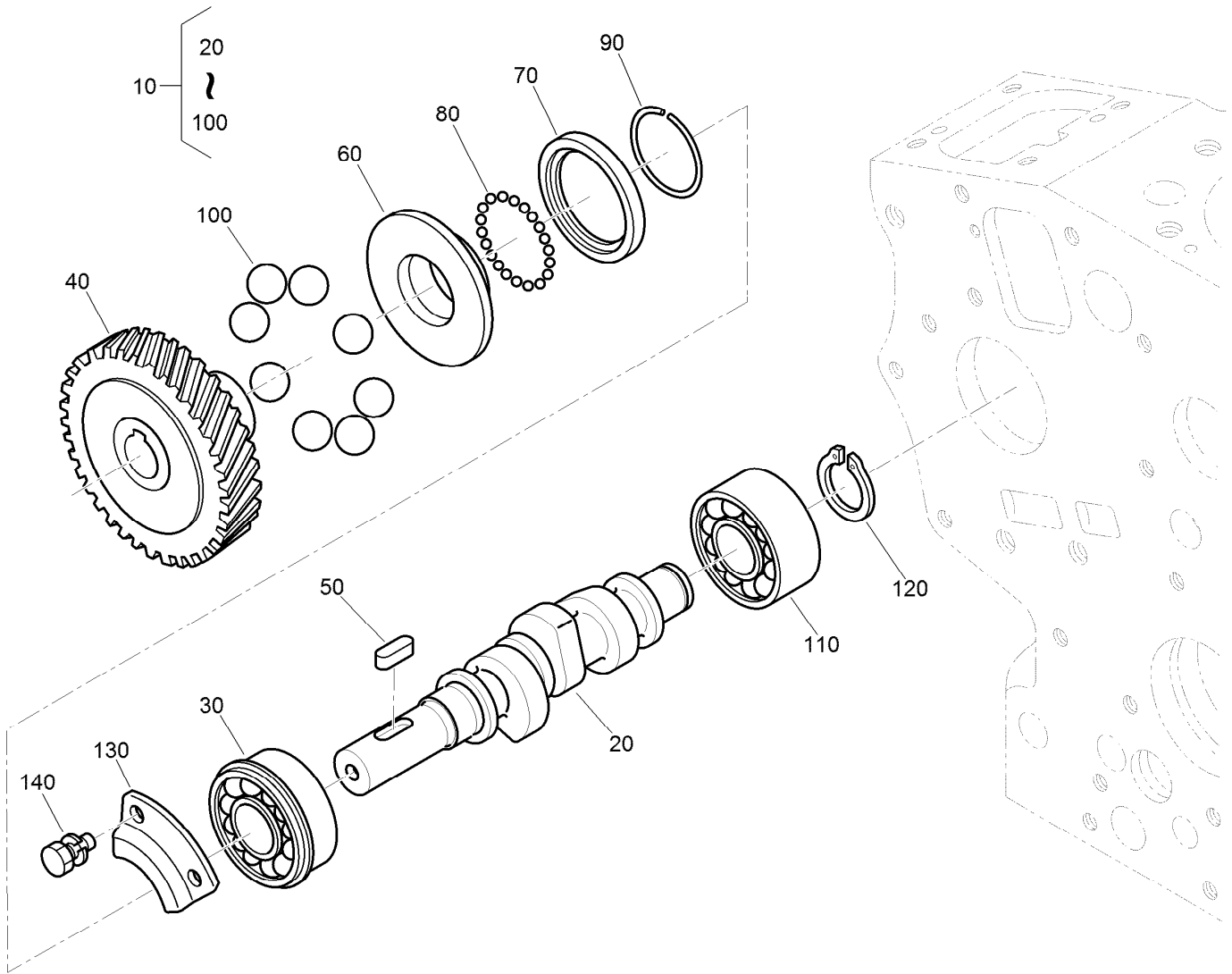
Ref.	Part Number	Qty.	Description
10	110-3727	6	Tappet
20	100-1989	6	Rod-Push
30	120-3126	1	Camshaft ASM
50	110-3729	1	Ball
60	130-1534	1	Gear-Cam
70	98-9378	1	Key-Feather
80	100-1887	1	Stopper-Camshaft
90	98-9350	2	Bolt
100	121-2421	1	Idle Gear ASM
110	121-2422	1	Bushing
120	100-1970	1	Collar-Gear, Idle
130	100-1969	1	Ring-Snap
140	100-1967	1	Shaft-Gear, Idle
150	100-1774	3	Bolt-Flange
160	100-2240	1	Idle Gear ASM



## Piston and Crankshaft Assembly

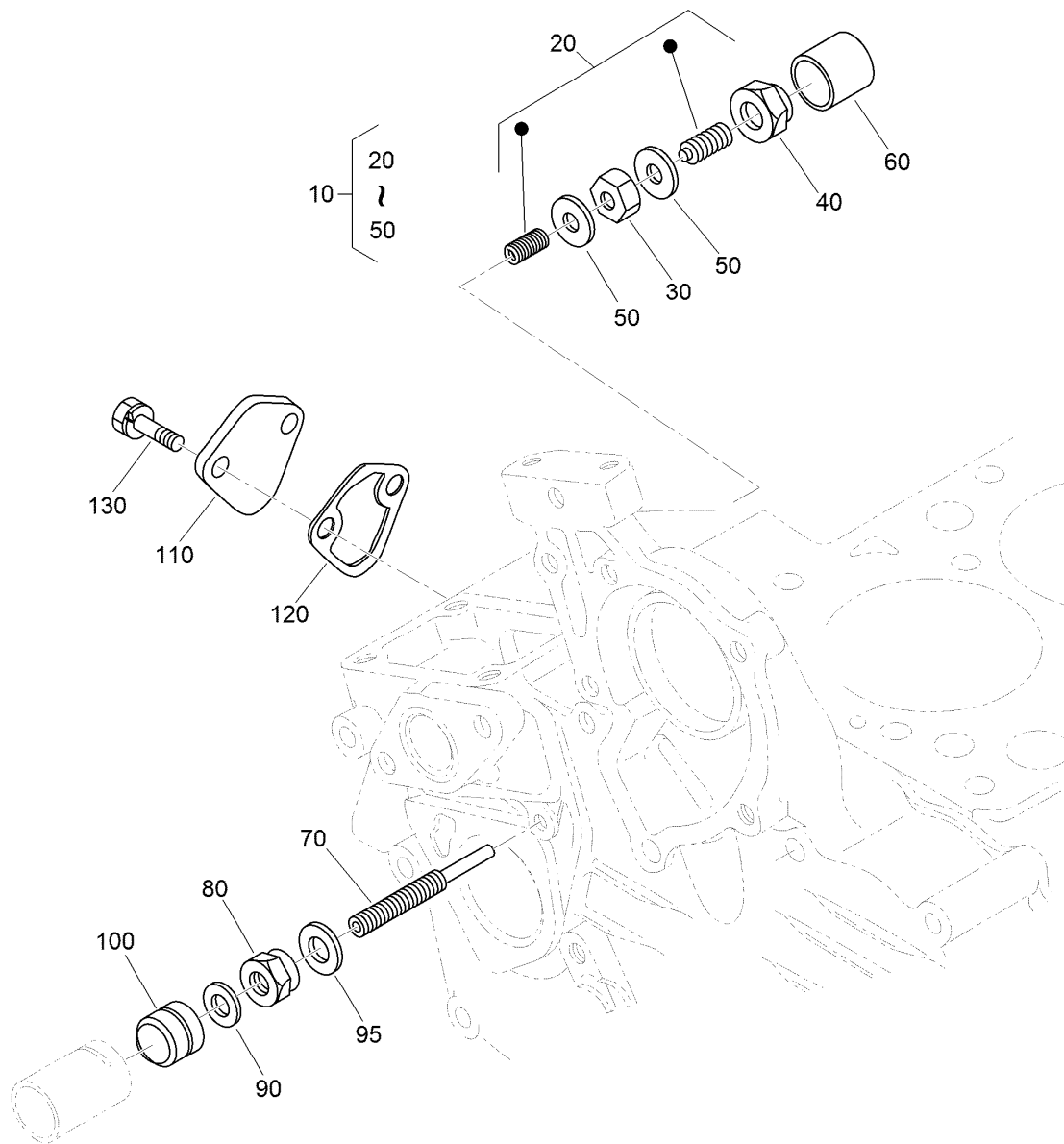
<i>Ref.</i>	<i>Part Number</i>	<i>Qty.</i>	<i>Description</i>	<i>Ref.</i>	<i>Part Number</i>	<i>Qty.</i>	<i>Description</i>
10	130-1518	3	Piston	80	121-2420	3	Metal-Crankpin (-.40Mm)
10	130-1520	3	Piston	90	117-0308	1	Crankshaft
20	130-1516	3	Piston Ring ASM	100	100-1791	3	Ball
20	130-1517	3	Piston Ring ASM	120	100-1891	1	Gear-Crankshaft
30	110-3734	3	Pin-Piston	130	100-1752	1	Key-Feather
40	100-1835	6	Circlip-Internal	140	110-3738	1	Metal-Crankshaft (STD)
50	125-9070	3	Connecting Rod ASM	140	121-2424	1	Metal-Crankshaft (-.20Mm)
60	110-3736	3	Bushing-Pin, Piston	140	121-2425	1	Metal-Crankshaft (-.40Mm)
70	100-1999	6	Bolt-Rod, Connecting	150	100-1890	1	Collar-Crankshaft
80	100-2000	3	Metal-Crankpin (STD)	160	100-1974	1	Slinger-Oil
80	121-3849	3	Metal-Crankpin (-.20Mm)	170	100-2209	1	O-Ring





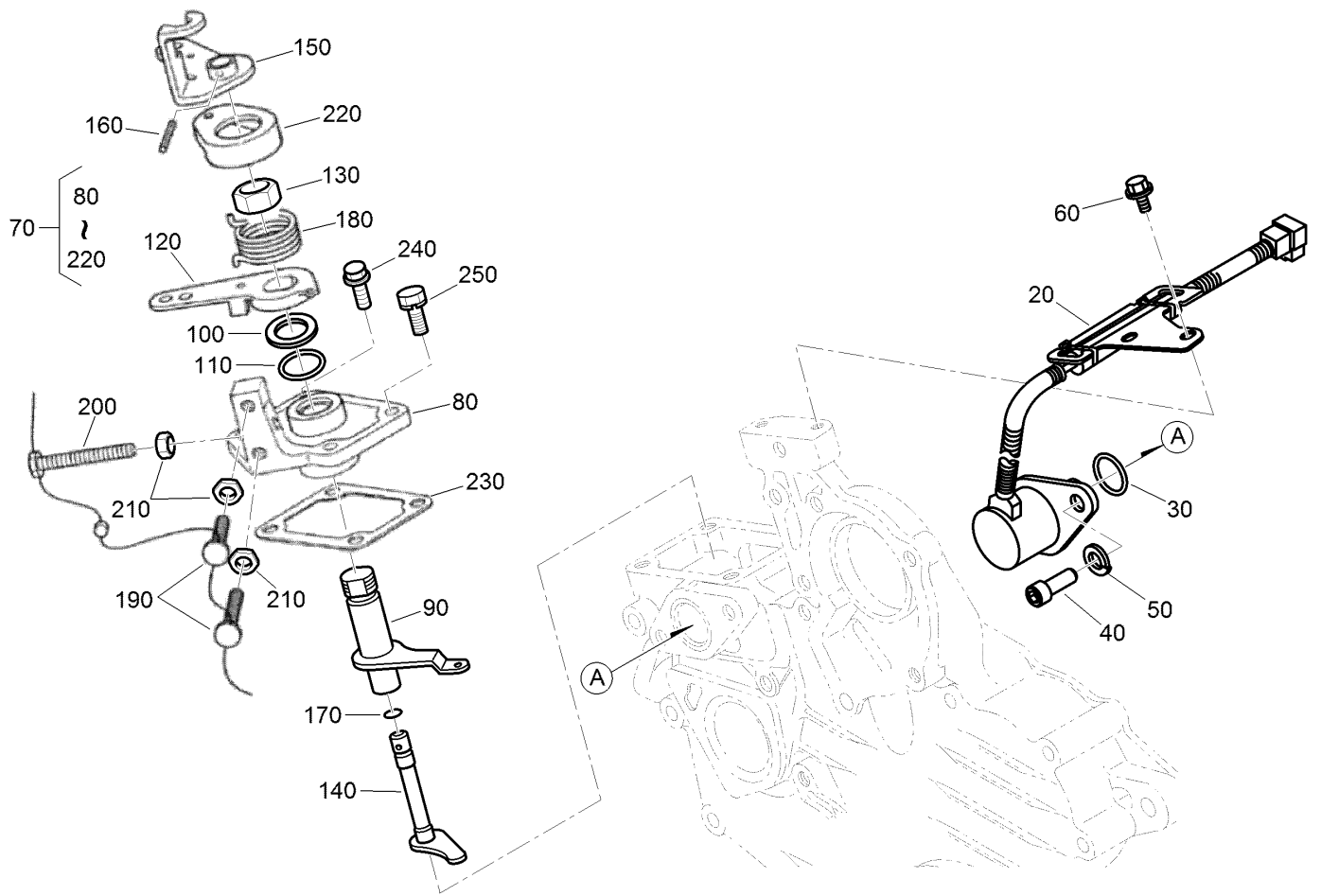
## Fuel Camshaft Assembly

<i>Ref.</i>	<i>Part Number</i>	<i>Qty.</i>	<i>Description</i>
10	112-8335	1	Fuel Camshaft ASM
20	110-3756	1	Camshaft-Fuel
30	100-1795	1	Bearing-Ball
40	100-2006	1	Gear-Pump, Injection
50	100-1752	1	Key-Feather
60	112-8336	1	Sleeve-Governor
70	100-1904	1	Case-Ball, Governor
80	100-1790	32	Ball
90	100-1843	1	Circ-Clip
100	100-1793	8	Ball
110	110-3757	1	Bearing-Ball
120	100-1784	1	Circ-Clip, External
130	100-1888	1	Stopper-Fuel, Camshaft
140	98-9350	2	Bolt



## Idle Apparatus and Fuel Pump Cover Assembly

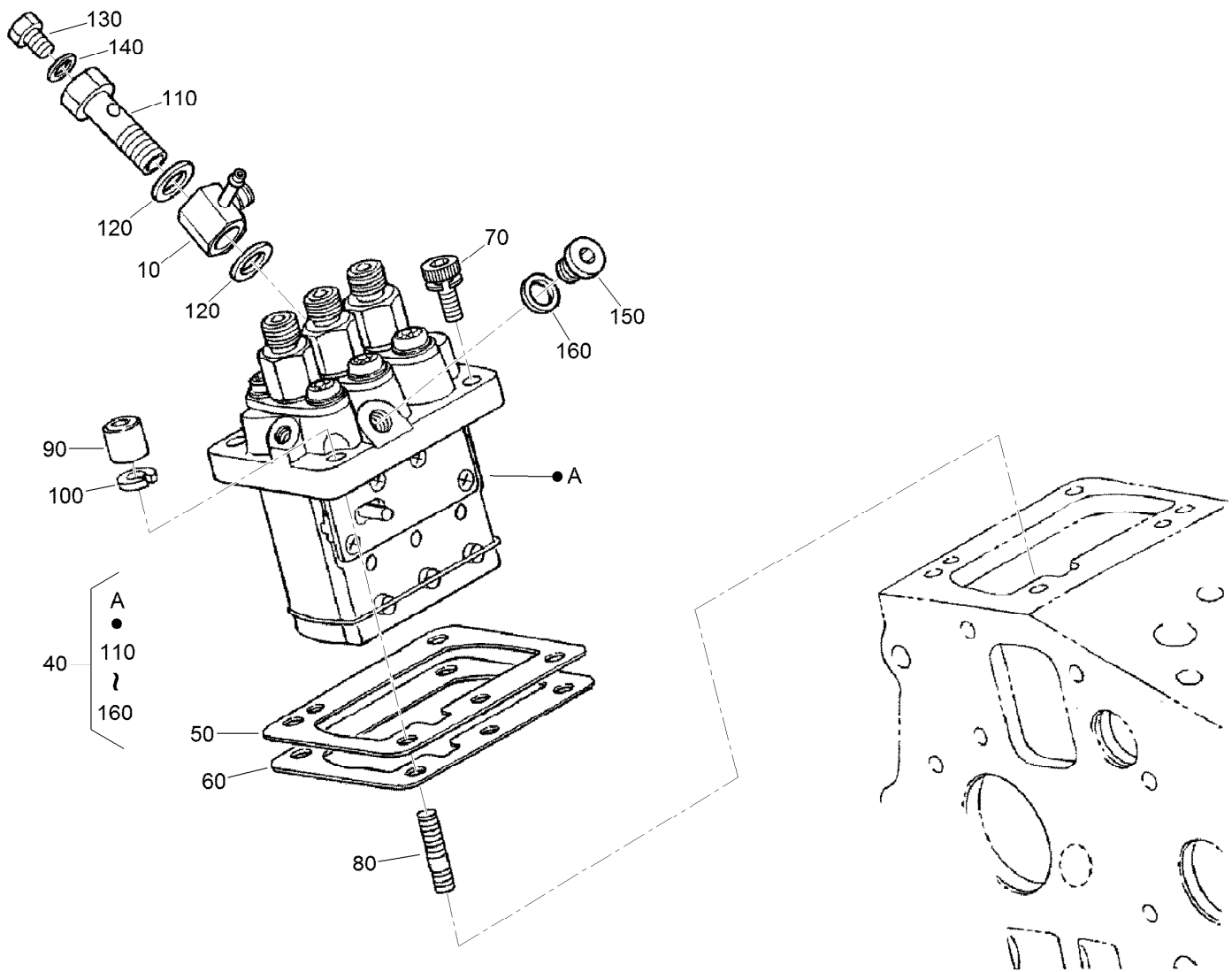
Ref.	Part Number	Qty.	Description
10	100-1898	1	Idle Apparatus ASM
20	100-1899	1	Adjusting Bolt ASM
30	100-1846	1	Nut
40	100-1901	1	Nut-Cap
50	98-7428	2	Gasket
60	100-1902	1	Cap
70	110-3758	1	Bolt-Adjusting
80	100-2175	1	Nut-Lock
90	98-7654	1	Gasket
95	107-9081	1	Gasket
100	99-8387	1	Nut-Cap
110	99-3514	1	Cover
120	98-9636	1	Gasket-Pump, Fuel
130	98-7692	2	Bolt



## Stop Solenoid and Speed Control Plate Assembly

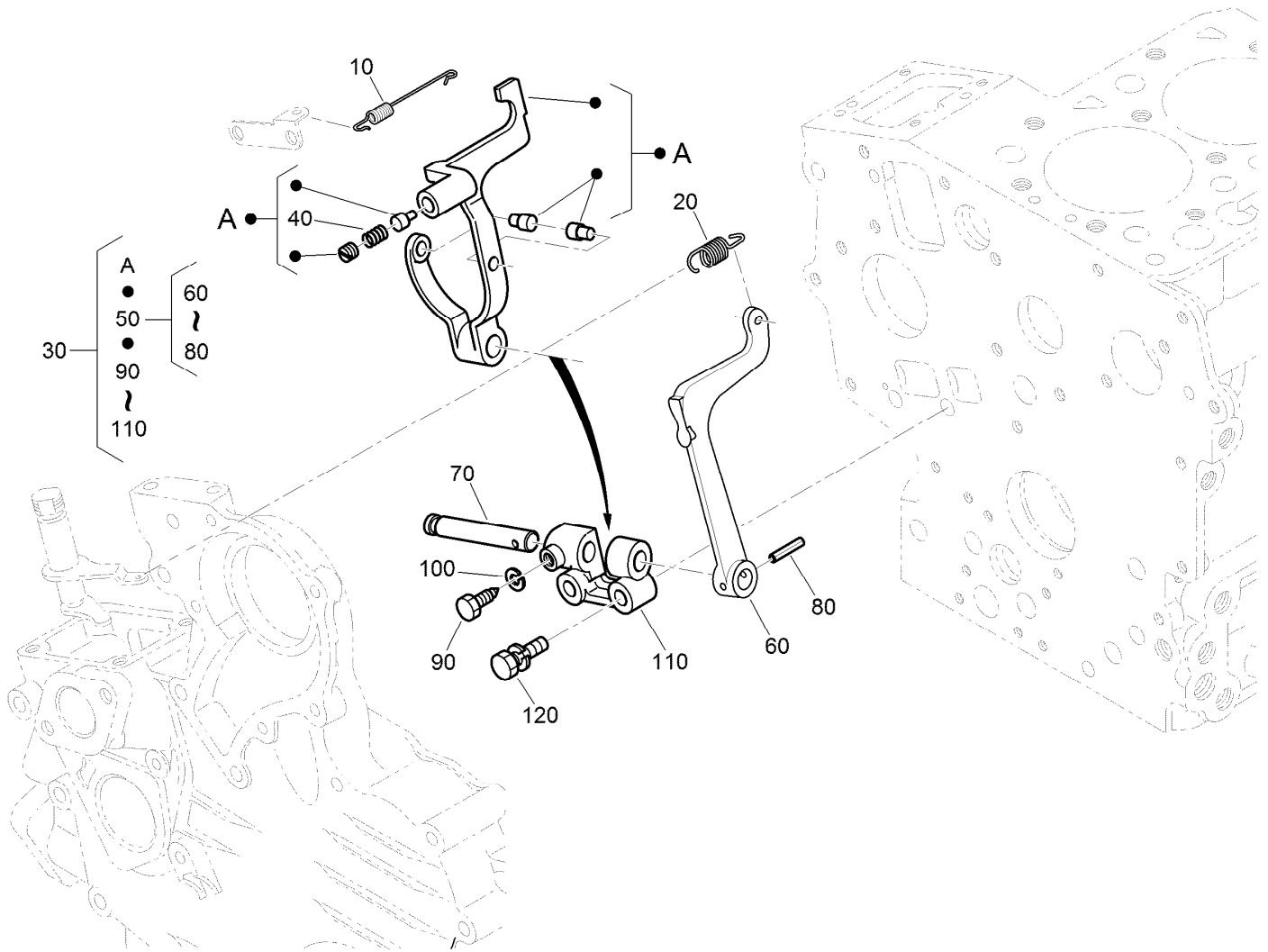
Ref.	Part Number	Qty.	Description
20	117-2719	1	Solenoid Stop ASM
30	110-3762	1	O-Ring
40	110-3763	2	Bolt-HSH
50	98-7699	2	Washer-Spring
60	100-1774	2	Bolt-Flange
70	110-3769	1	Speed Control Plate ASM
80	110-3770	1	Plate-Control, Speed
90	110-3771	1	Lever-Governor
100	110-3772	1	Collar
110	100-2208	1	O-Ring
120	110-3773	1	Lever-Control, Speed
130	110-3774	1	Nut-Control, Speed

Ref.	Part Number	Qty.	Description
140	110-3775	1	Shaft-Lever
150	110-3776	1	Lever-Stop, Engine
160	110-3777	1	Pin-Spring
170	100-2207	1	O-Ring
180	110-3778	1	Spring-Return
190	120-3133	2	Screw-Stopper
200	120-3134	1	Bolt
210	98-7572	3	Nut
220	110-3779	1	Cap
230	100-1962	1	Gasket-Plate, Control
240	127-0403	2	Bolt-Flange
250	112-2507	2	Bolt



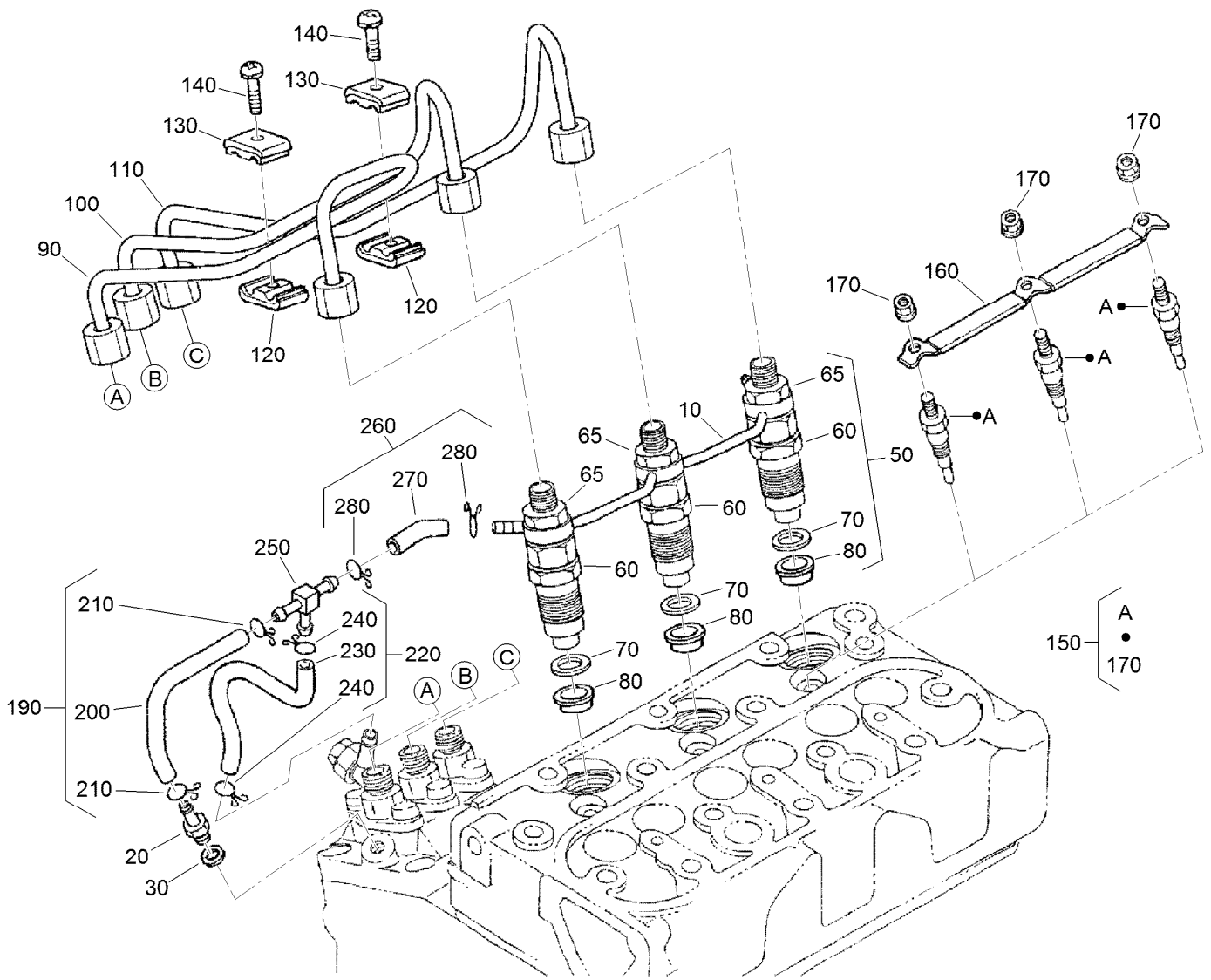
## Injection Pump Assembly

<i>Ref.</i>	<i>Part Number</i>	<i>Qty.</i>	<i>Description</i>	<i>Ref.</i>	<i>Part Number</i>	<i>Qty.</i>	<i>Description</i>
10	110-3764	1	Joint	90	98-9440	2	Nut-Cap
40	110-3765	1	Injection Pump ASM	100	98-7699	2	Washer-Spring
50	115-3045	1	Shim-Injection (0.175Mm)	110	100-1896	1	Screw-Hollow
50	98-9456	1	Shim-Injection (0.20Mm)	120	98-9445	2	Gasket
50	98-9457	1	Shim-Injection (0.25Mm)	130	98-9430	1	Screw
60	98-9458	1	Shim-Injection (0.30Mm)	140	98-9446	1	Gasket
60	115-3046	1	Shim-Injection (0.35Mm)	150	98-9466	1	Plug
70	117-7564	2	Bolt-Hex Soc HD	160	98-9451	1	Gasket
80	98-9438	2	Stud				



## Governor Assembly

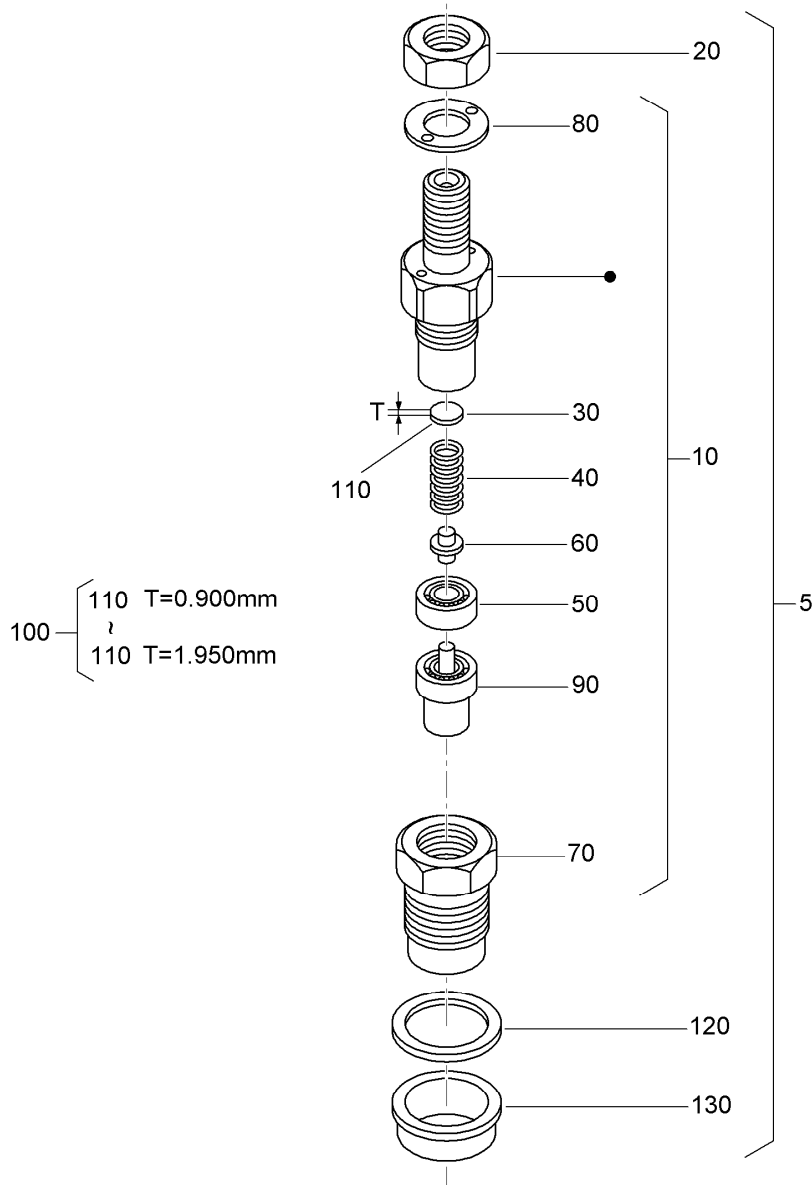
<i>Ref.</i>	<i>Part Number</i>	<i>Qty.</i>	<i>Description</i>
10	110-3766	1	Spring-Start
20	110-3767	1	Spring-Governor
30	120-3131	1	Fork Lever ASM
40	120-3132	1	Spring
50	100-1905	1	Fork Lever ASM
60	100-1907	1	Lever-Fork
70	100-1908	1	Shaft-Lever, Fork
80	100-1751	1	Pin-Spring
90	100-1845	1	Bolt
100	127-0408	1	Washer-Lock, Spring
110	100-1909	1	Holder-Lever, Fork
120	100-1763	2	Bolt



## Nozzle Holder and Glow Plug Assembly

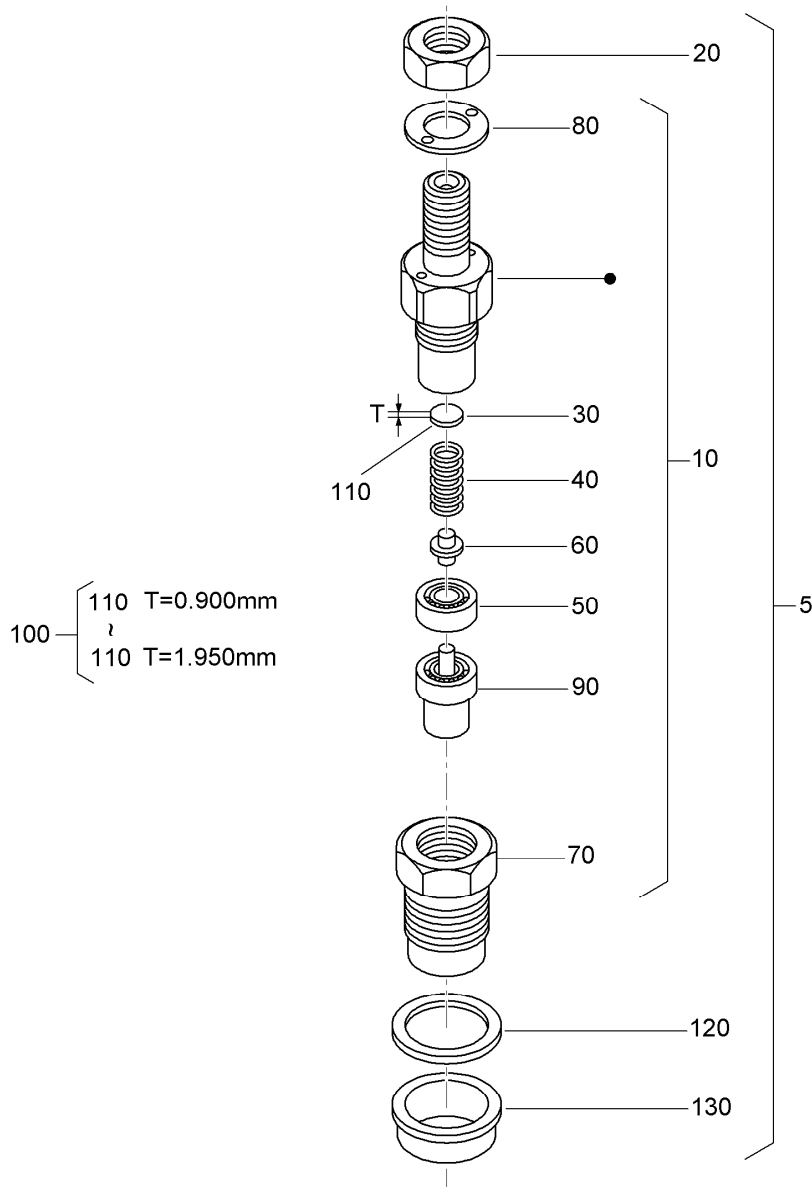
Ref.	Part Number	Qty.	Description
10	110-3780	1	Over Flow Pipe ASM
20	98-9431	1	Screw-Bleeder, Air
30	98-7654	1	Gasket
50	130-1305	3	Nozzle Holder Kit
60	130-1303	3	Nozzle Holder ASM
65	121-2411	3	Nut
70	98-7676	3	Gasket
80	98-7677	3	Seal-Heat
90	130-1522	1	Pipe-Injection
100	130-1523	1	Pipe-Injection
110	130-1541	1	Pipe-Injection
120	98-7682	2	Clamp-Pipe
130	98-7683	2	Clamp-Pipe
140	98-7684	2	Screw (W/Washer)

Ref.	Part Number	Qty.	Description
150	130-1411	3	Plug-Glow
160	110-3784	1	Cord-Plug, Glow
170	99-8377	3	Nut-Flange
190	110-3785	1	Fuel Tube ASM
200	110-3786	1	Tube-Fuel
210	98-7671	2	Clip-Pipe
220	110-3787	1	Fuel Tube ASM
230	110-3788	1	Tube-Fuel
240	98-7671	2	Clip-Pipe
250	112-8338	1	Pipe-Joint, T
260	110-3790	1	Fuel Tube ASM
270	110-3791	1	Tube-Fuel
280	98-7671	2	Clip-Pipe



## Nozzle Holder Assembly

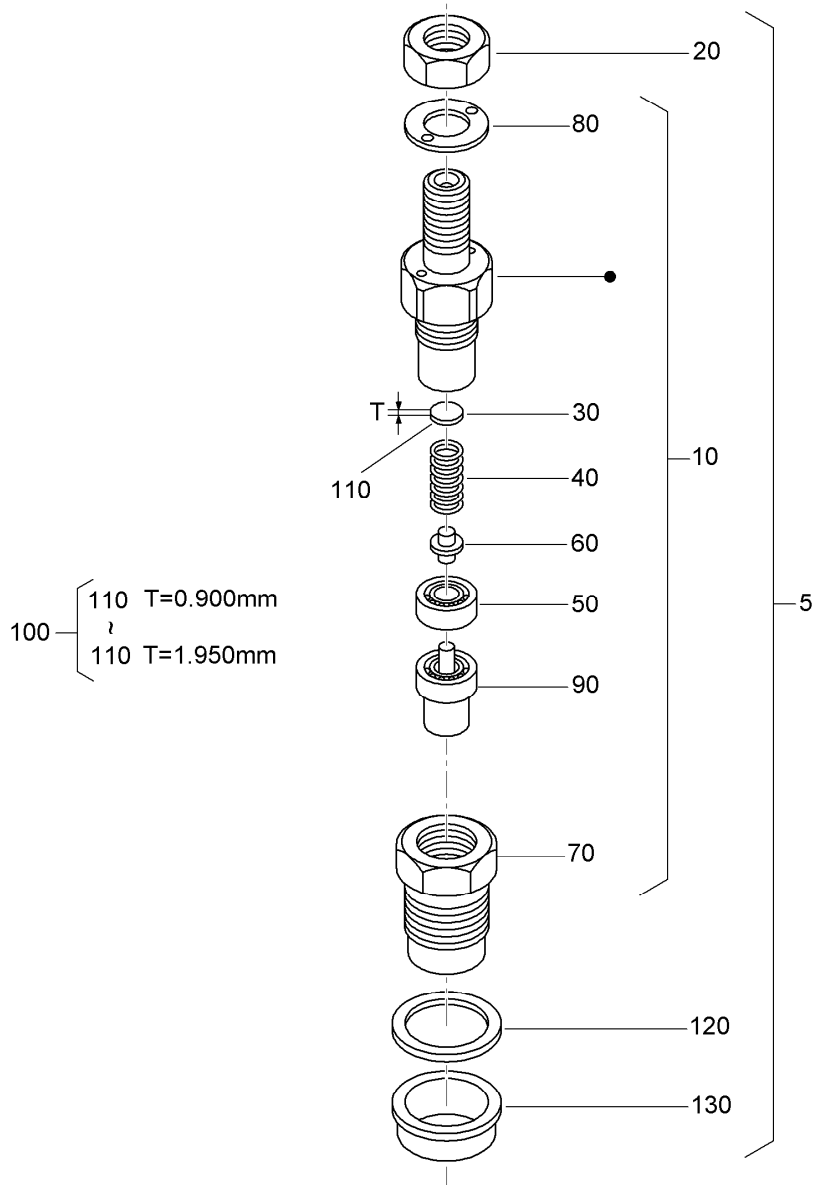
Ref.	Part Number	Qty.	Description	Ref.	Part Number	Qty.	Description
5	130-1305	3	Nozzle Holder Kit	110	98-7845	3	Washer-Adjusting (1.025Mm)
10	130-1303	3	Nozzle Holder ASM	110	98-7846	3	Washer-Adjusting (1.050Mm)
20	121-2411	3	Nut	110	98-7847	3	Washer-Adjusting (1.075Mm)
30	99-8302	3	Washer-Adjusting	110	98-7848	3	Washer-Adjusting (1.100Mm)
40	99-8303	3	Spring-Nozzle	110	98-7849	3	Washer-Adjusting (1.125Mm)
50	99-8304	3	Spacer-Distance	110	98-7850	3	Washer-Adjusting (1.150Mm)
60	99-8305	3	Rod-Push	110	98-7851	3	Washer-Adjusting (1.175Mm)
70	130-1304	3	Nut-Nozzle	110	98-7852	3	Washer-Adjusting (1.200Mm)
80	99-8307	3	Washer-Plain	110	98-7853	3	Washer-Adjusting (1.225Mm)
90	130-1497	3	Nozzle-Piece	110	98-7854	3	Washer-Adjusting (1.250Mm)
100	98-9448	3	Adjusting Washer ASM				
110	98-7642	3	Washer-Adjusting (0.900Mm)				
110	98-7841	3	Washer-Adjusting (0.925Mm)				
110	98-7842	3	Washer-Adjusting (0.950Mm)				
110	98-7843	3	Washer-Adjusting (0.975Mm)				
110	98-7844	3	Washer-Adjusting (1.000Mm)				



## Nozzle Holder Assembly (continued)

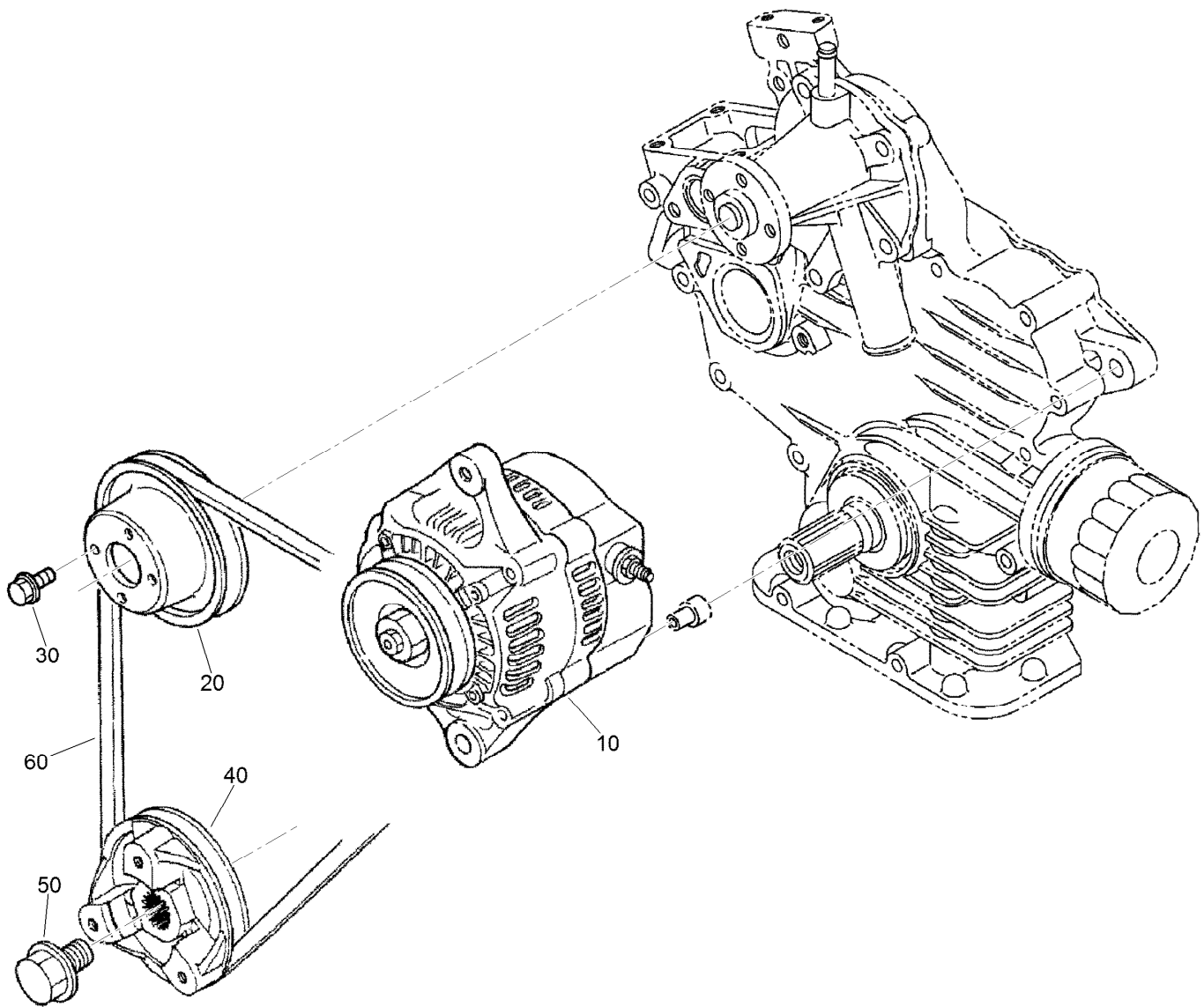
<i>Ref.</i>	<i>Part Number</i>	<i>Qty.</i>	<i>Description</i>	<i>Ref.</i>	<i>Part Number</i>	<i>Qty.</i>	<i>Description</i>
110	98-7855	3	Washer-Adjusting (1.275Mm)	110	98-7865	3	Washer-Adjusting (1.525Mm)
110	98-7856	3	Washer-Adjusting (1.300Mm)	110	98-7866	3	Washer-Adjusting (1.550Mm)
110	98-7857	3	Washer-Adjusting (1.325Mm)	110	98-7867	3	Washer-Adjusting (1.575Mm)
110	98-7858	3	Washer-Adjusting (1.350Mm)	110	98-7868	3	Washer-Adjusting (1.600Mm)
110	98-7859	3	Washer-Adjusting (1.375Mm)	110	98-7869	3	Washer-Adjusting (1.625Mm)
110	98-7860	3	Washer-Adjusting (1.400Mm)	110	98-7870	3	Washer-Adjusting (1.650Mm)
110	98-7861	3	Washer-Adjusting (1.425Mm)	110	98-7871	3	Washer-Adjusting (1.675Mm)
110	98-7862	3	Washer-Adjusting (1.450Mm)	110	98-7872	3	Washer-Adjusting (1.700Mm)
110	98-7863	3	Washer-Adjusting (1.475Mm)	110	98-7873	3	Washer-Adjusting (1.725Mm)
110	98-7864	3	Washer-Adjusting (1.500Mm)	110	98-7874	3	Washer-Adjusting (1.750Mm)





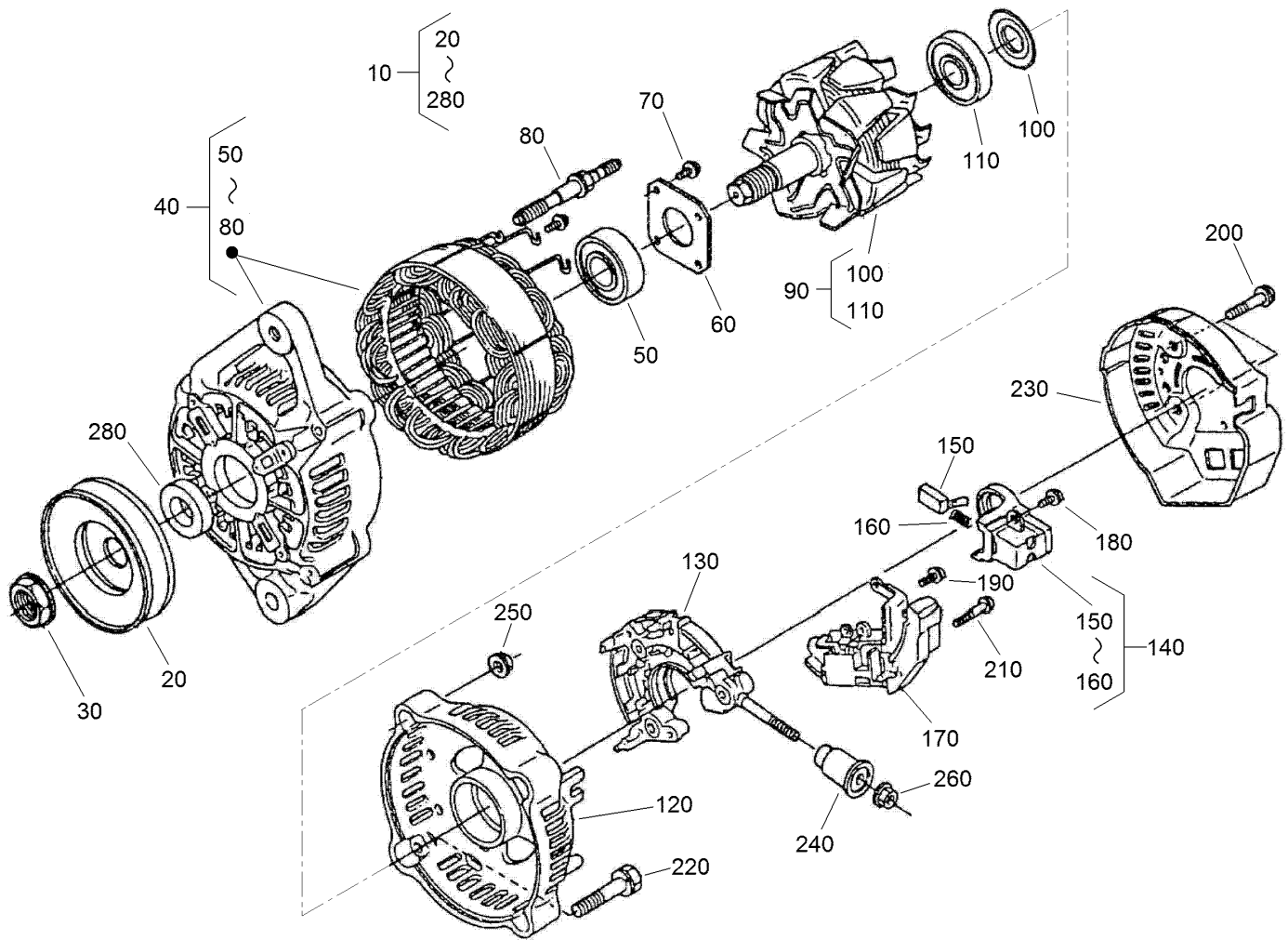
## Nozzle Holder Assembly (continued)

<i>Ref.</i>	<i>Part Number</i>	<i>Qty.</i>	<i>Description</i>	<i>Ref.</i>	<i>Part Number</i>	<i>Qty.</i>	<i>Description</i>
110	98-7875	3	Washer-Adjusting (1.775Mm)	110	98-7880	3	Washer-Adjusting (1.900Mm)
110	98-7876	3	Washer-Adjusting (1.800Mm)	110	98-7881	3	Washer-Adjusting (1.925Mm)
110	98-7877	3	Washer-Adjusting (1.825Mm)	110	98-7882	3	Washer-Adjusting (1.950Mm)
110	98-7878	3	Washer-Adjusting (1.850Mm)	120	98-7676	3	Gasket
110	98-7879	3	Washer-Adjusting (1.875Mm)	130	98-7677	3	Seal-Heat



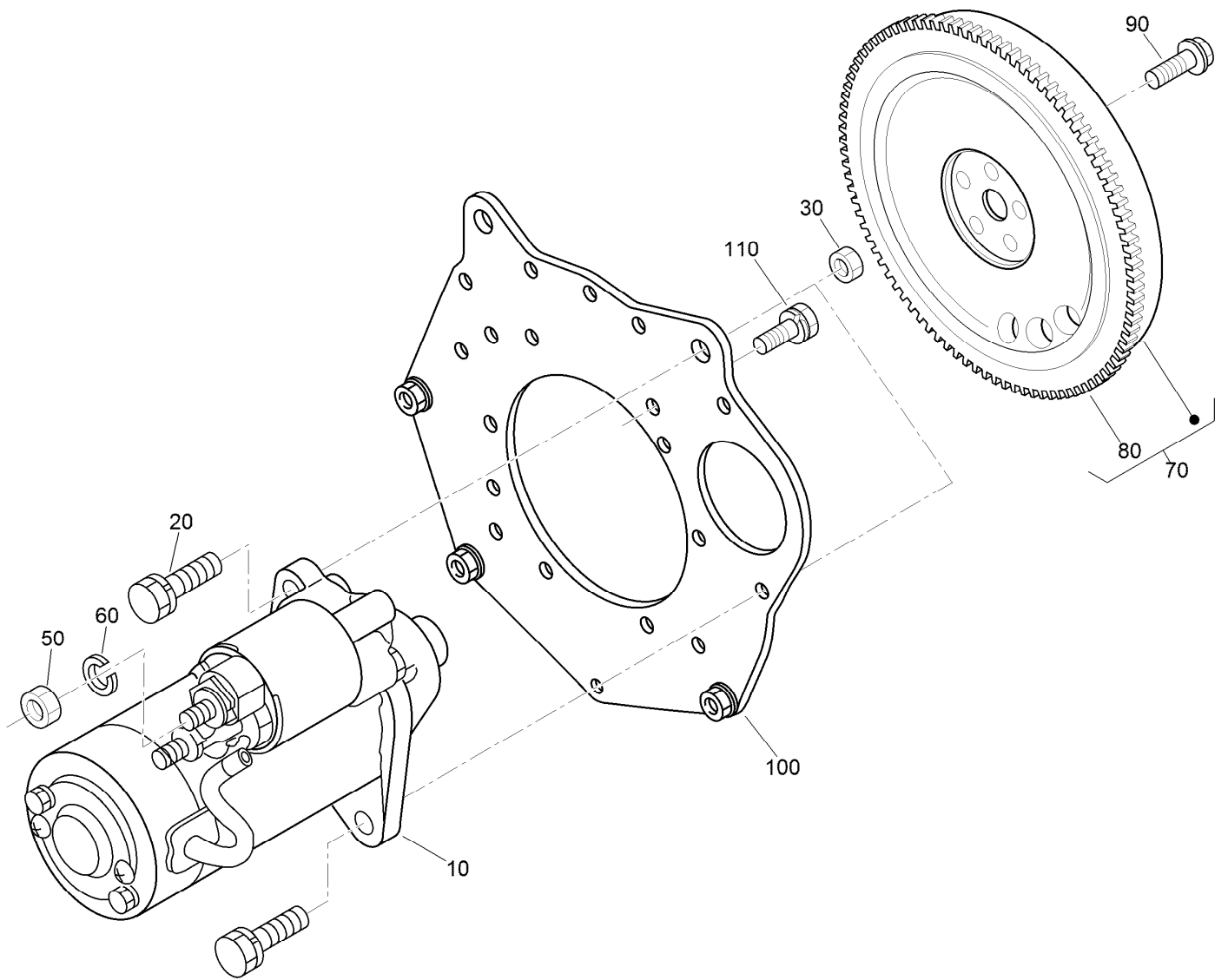
## Alternator and Pulley Assembly

<i>Ref.</i>	<i>Part Number</i>	<i>Qty.</i>	<i>Description</i>
10	117-5541	1	60 Amp Alternator ASM
20	100-1921	1	Pulley-Fan
30	99-8363	4	Bolt-Flange
40	112-2510	1	Pulley-Drive, Fan
50	100-1978	1	Bolt
60	119-4486	1	Belt-V, Fan



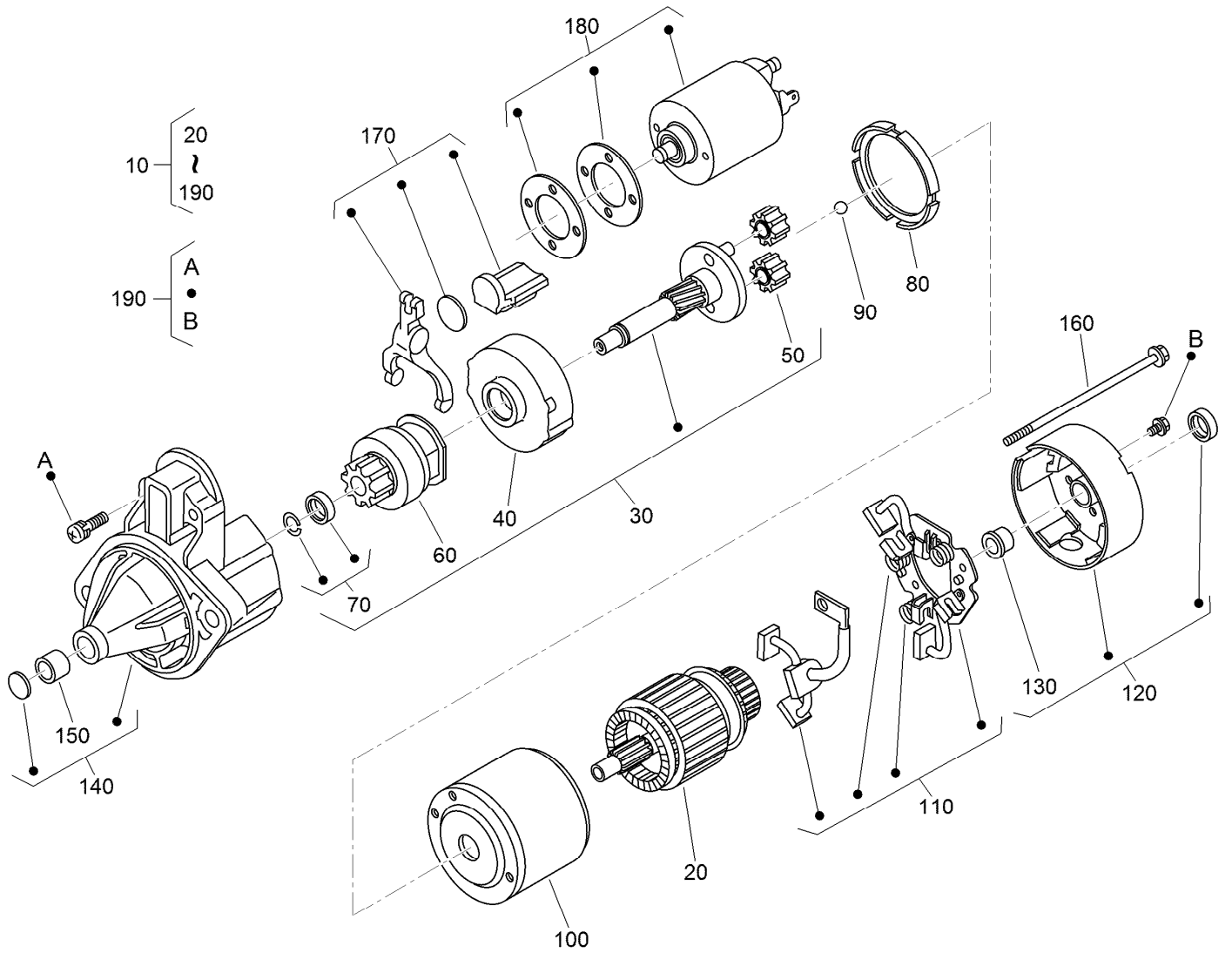
## Alternator Components Assembly

<i>Ref.</i>	<i>Part Number</i>	<i>Qty.</i>	<i>Description</i>	<i>Ref.</i>	<i>Part Number</i>	<i>Qty.</i>	<i>Description</i>
10	117-5541	1	60 Amp Alternator ASM	150	98-7724	2	Brush
20	98-9453	1	Pulley-Dynamo	160	98-7725	2	Spring-Brush
30	98-7708	1	Nut	170	117-0319	1	Regulator ASM
40	117-0316	1	Drive End Frame ASM	180	98-7727	6	Screw-Head, Round
50	133-2811	1	Bearing	190	98-7728	1	Screw-Head, Round
60	98-7715	1	Plate-Retainer	200	98-7729	3	Bolt
70	98-7716	4	Screw-Head, Round	210	98-7726	2	Screw-Head, Round
80	98-7717	2	Bolt-Through	220	98-7731	2	Bolt
90	117-0317	1	Rotor ASM	230	117-0320	1	Cover-End
100	98-7711	1	Cover-Bearing	240	117-0321	1	Insulation-Brush
110	107-0138	1	Bearing-Ball	250	98-7730	2	Nut
120	133-2813	1	Frame-End	260	98-7732	1	Nut
130	117-0322	1	Holder	280	98-7709	1	Collar
140	107-0141	1	Brush Holder ASM				



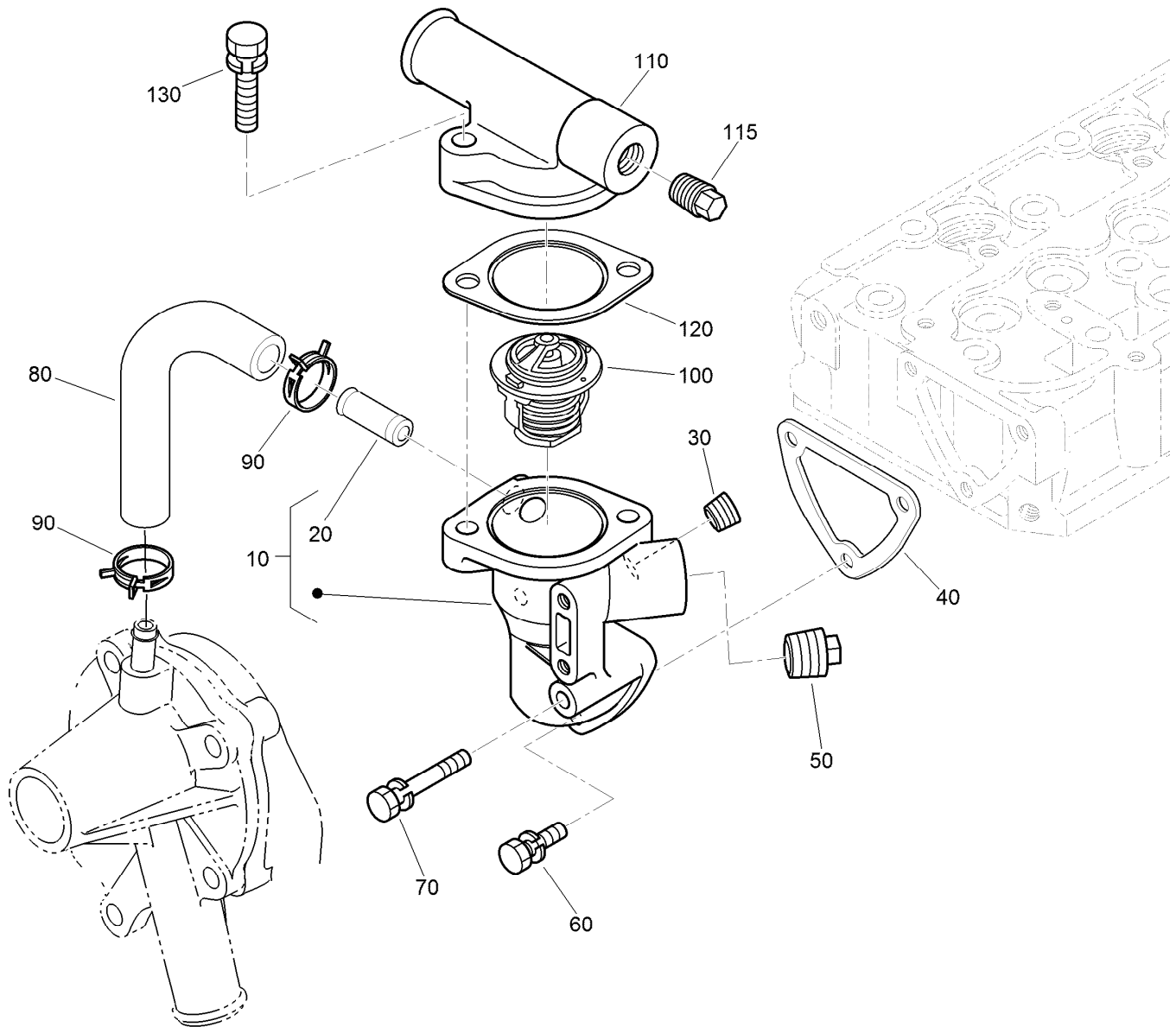
## Starter and Flywheel Assembly

<i>Ref.</i>	<i>Part Number</i>	<i>Qty.</i>	<i>Description</i>
10	110-3800	1	Starter ASM
20	98-7697	2	Bolt
30	98-7534	2	Nut
50	98-7534	1	Nut
60	105-2893	1	Washer-Spring
70	130-1369	1	Flywheel ASM
80	127-1604	1	Gear-Ring
90	100-1930	5	Bolt-Flywheel
100	120-3130	1	Plate-End, Rear
110	110-3754	10	Bolt



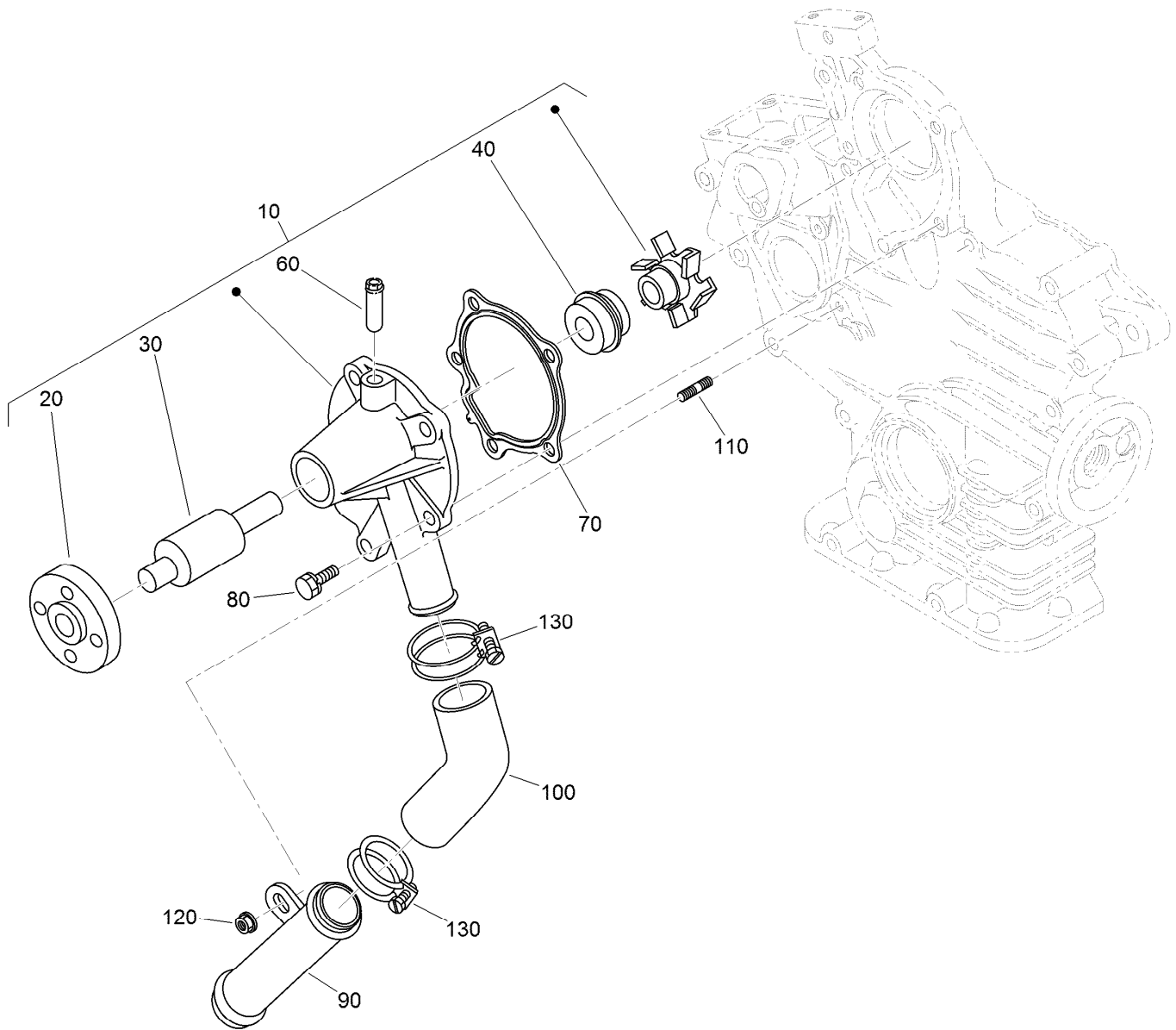
## Starter Component Assembly

<i>Ref.</i>	<i>Part Number</i>	<i>Qty.</i>	<i>Description</i>	<i>Ref.</i>	<i>Part Number</i>	<i>Qty.</i>	<i>Description</i>
10	110-3800	1	Starter ASM	110	110-3810	1	Brush Holder ASM
20	110-3801	1	Armature	120	110-3811	1	Rear Bracket ASM
30	110-3802	1	Shaft ASM	130	110-3812	1	Bushing
40	120-3142	1	Gear-Internal	140	110-3813	1	Front Bracket ASM
50	110-3804	3	Gear-Planetary	150	110-3814	1	Bushing
60	110-3805	1	Clutch-Running, Over	160	110-3815	2	Bolt
70	110-3806	1	Stopper	170	110-3816	1	Fork Lever ASM
80	120-3143	1	Gasket	180	110-3817	1	Magnetic Switch ASM
90	110-3808	1	Ball	190	110-3818	1	Screws (Set Of 4)
100	130-1295	1	Yoke				



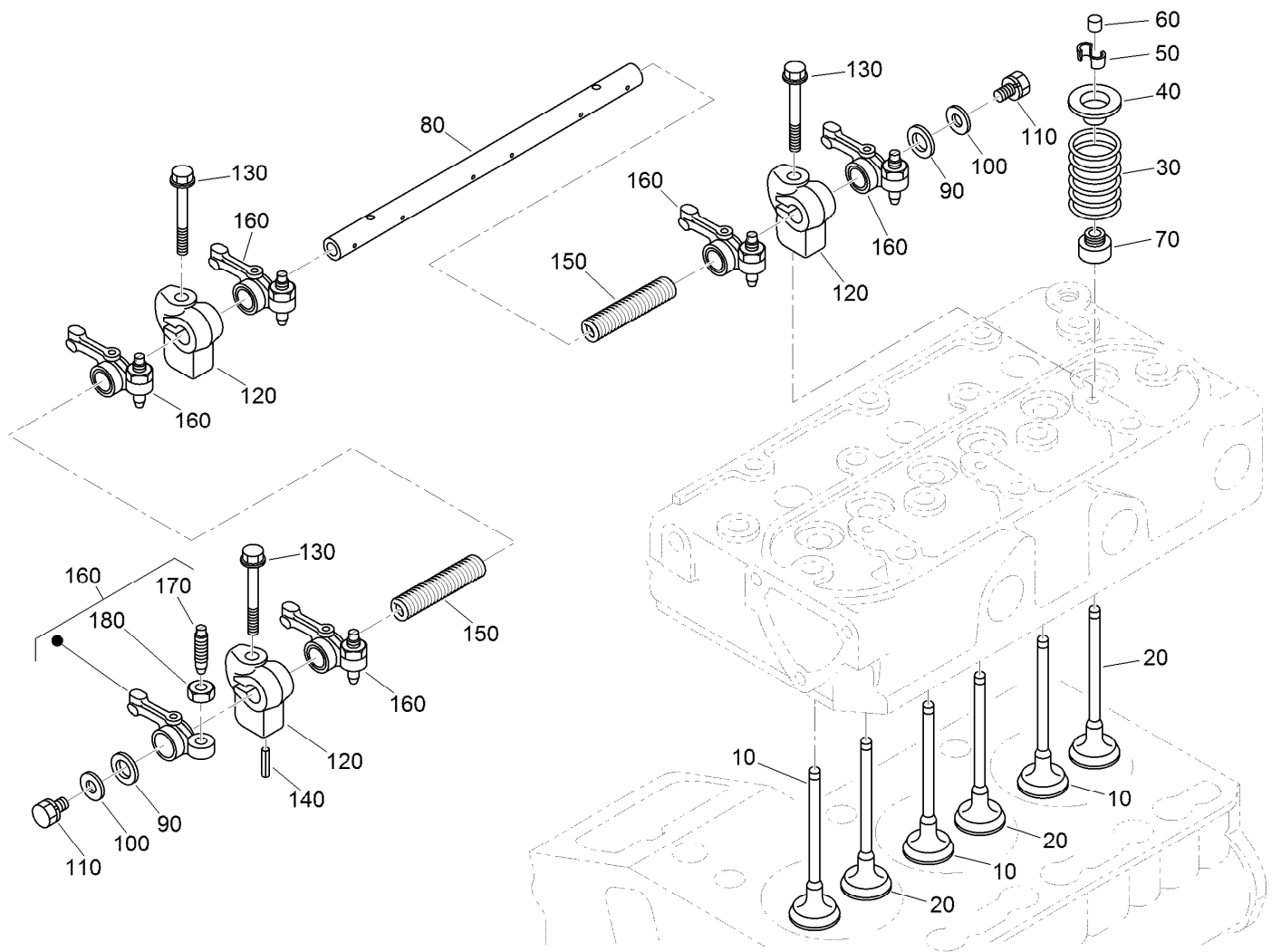
## Water Flange and Thermostat Assembly

<i>Ref.</i>	<i>Part Number</i>	<i>Qty.</i>	<i>Description</i>
10	110-3819	1	Water Flange ASM
20	98-9580	1	Pipe-Return, Water
30	98-9444	1	Plug
40	110-3820	1	Gasket-Flange, Water
50	110-3821	1	Plug
60	98-7692	2	Bolt
70	125-9063	1	Bolt-Sems
80	110-3822	1	Pipe-Return, Water
90	125-9078	2	Clamp-Hose
100	98-7778	1	Thermostat ASM
110	120-7575	1	Cover-Thermostat
115	125-9079	1	Plug
120	105-3748	1	Gasket-Thermostat
130	98-7777	2	Bolt



## Water Pump and Water Pipe Assembly

<i>Ref.</i>	<i>Part Number</i>	<i>Qty.</i>	<i>Description</i>
10	110-3824	1	Water Pump ASM
20	125-9081	1	Flange-Pump, Water
30	100-1934	1	Bearing-Ball
40	99-3518	1	Water Pump Seal ASM
60	100-1932	1	Pipe-Return, Water
70	117-0330	1	Gasket-Pump, Water
80	100-1750	4	Bolt
90	100-1918	1	Pipe-Water
100	110-3827	1	Pipe-Water
110	100-1924	1	Stud
120	100-2203	1	Nut-Flange
130	110-3828	2	Band-Pipe

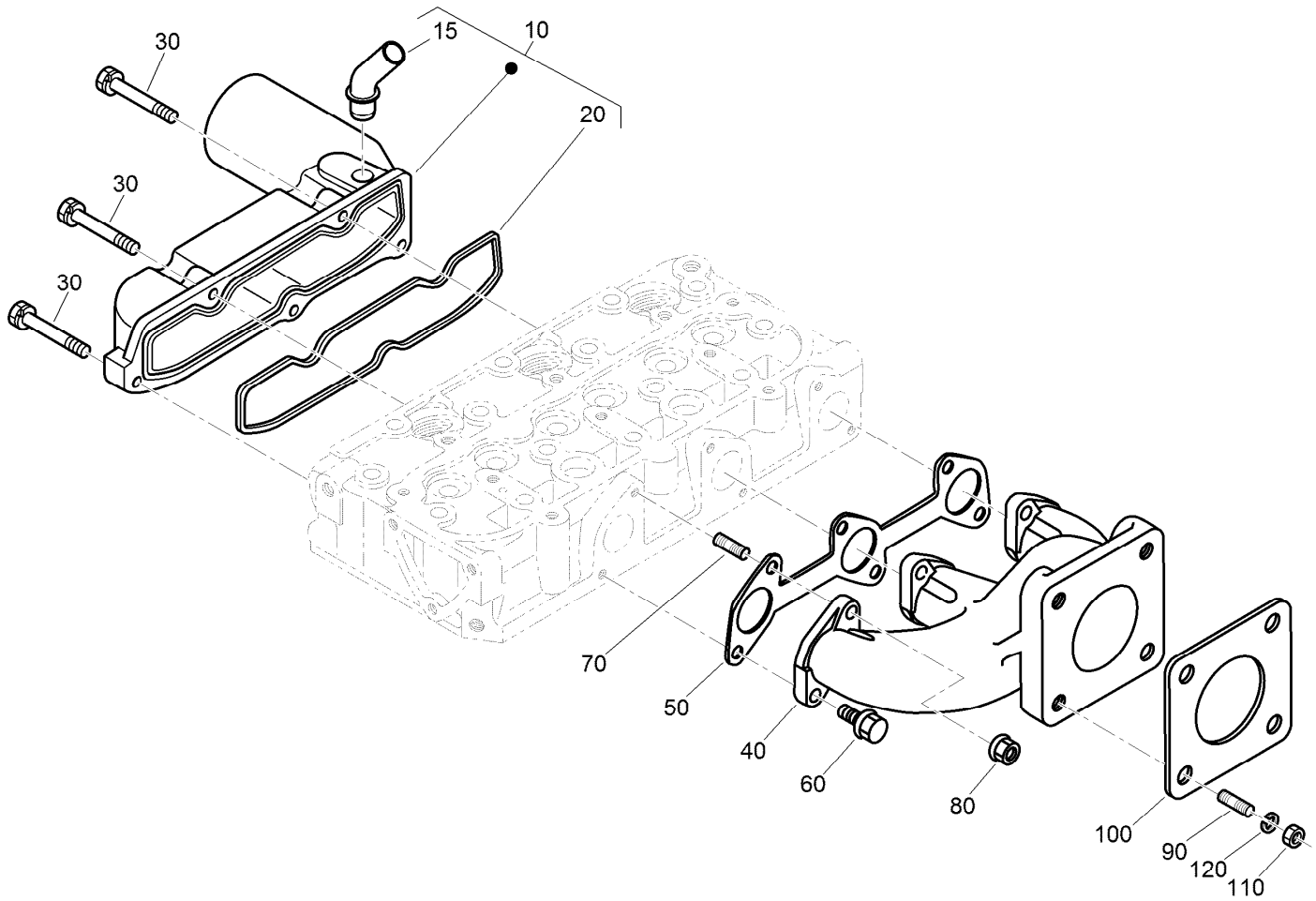


## Valve and Rocker Arm Assembly

Ref.	Part Number	Qty.	Description
10	112-2514	3	Valve-Inlet
20	112-2515	3	Valve-Exhaust
30	100-1823	6	Spring-Valve
40	100-1825	6	Retainer-Spring, Valve
50	120-3136	6	Collet-Spring, Valve
60	100-2155	6	Cap-Valve
70	100-1797	6	Seal-Stem, Valve
80	112-8341	1	Shaft-Arm, Rocker
90	100-2044	2	Washer

Ref.	Part Number	Qty.	Description
100	110-3832	2	Washer-Plain
110	100-1762	2	Bolt
120	110-3833	3	Bracket-Arm, Rocker
130	110-3834	3	Bolt-Flange
140	98-7602	1	Pin-Spring
150	112-8342	2	Spring
160	100-1884	6	Rocker Arm ASM
170	100-1885	6	Screw-Adjusting
180	100-1827	6	Nut





## Inlet and Exhaust Manifold Assembly

<i>Ref.</i>	<i>Part Number</i>	<i>Qty.</i>	<i>Description</i>
10	120-3141	1	Intake Manifold ASM
15	121-2417	1	Pipe-Breather
20	110-3838	1	Gasket-Manifold, Intake
30	98-9352	5	Bolt
40	110-3839	1	Manifold-Exhaust
50	110-3840	1	Gasket-Manifold, Exhaust
60	130-1154	3	Screw-Hex HD
70	130-1156	3	Bolt-Stud
80	100-1778	3	Nut
90	98-7769	4	Stud
100	99-8343	1	Gasket-Muffler
110	98-7534	4	Nut
120	105-2893	4	Washer-Spring

# Attachments and Accessories

## For 04540 Greensmaster 3420 TriFlex Traction Unit

<b>Product Name</b>	<b>Model/Part</b>
8-Blade DPA Reel Mower .....	04651
11-Blade DPA Reel Mower .....	04653
14-Blade DPA Reel Mower .....	04655
Dethatching Unit .....	04720
Tri-Roller .....	04722
Spiker .....	04723
Wireless Hourmeter .....	115-4754
PX Hydraulic Fluid (5 Gal) .....	133-8086
PX Hydraulic Fluid (55 Gal).....	133-8087
Hi-Back Seat Cover .....	133-1308
CE Guard Kit, Greensmaster 3420 TriFlex Traction Unit.....	04443
Standard Greensmower Seat Kit .....	04508
Light Kit.....	04554
Three-Wheel Drive Kit .....	04714
Anti-Bobbing Kit.....	04716
Premium Seat.....	04729
Hydraulic Oil Leak Detector Kit .....	04730
Premium Armrest Kit.....	119-7105
Spark Arrester Kit .....	120-1951
Armrest Kit.....	121-3660
Weight Kit .....	121-6665
Bag Kit .....	137-8130
Bimini Shade Kit .....	138-8579
Height-of-Cut Bar.....	94-9010
Tire-TURFMATE .....	99-4506
MVP Kit 1000 Hour .....	44970
Turf Evaluator .....	04399
Premium Synthetic Bio-Degradable Hydraulic Fluid (5 Gallon Pail) .....	119-2157
Premium Synthetic Bio-Degradable Hydraulic Fluid (55 Gallon Drum).....	119-2158
Premium Engine Oil 10w30 (55 Gallon Drum) .....	121-6392
Premium Engine Oil 10w30 (5 Gallon Pail) .....	121-6393

**Notes:**



**Count on it.**