



Count on it.

Parts Catalog

TimeCutter® ZD530

Riding Mower

Model No. 74434—Serial No. 27000001 and Up



Ordering Replacement Parts

To order replacement parts, please supply the part number, the quantity, and the description of each part desired.

Understanding Reference Numbers

Each identified part in an illustration has a reference number. The reference number for a part also appears in the parts list, along with other information about the part.

This catalog uses two special reference number formats, one to indicate parts in a service assembly and another to indicate the quantity of a given part in an illustration.

Service Assembly Reference Numbers

Parts in service assemblies have reference numbers in the form a:b. The a represents the reference number of the entire service assembly and the b represents a sequential number unique to each part within the service assembly.

For example, a wheel assembly might be identified by reference number 6, the tire by 6:1, the valve by 6:2, and the wheel by 6:3. When you order the assembly identified by reference number 6, you receive all parts identified by reference numbers 6:1, 6:2, and 6:3. However, you may also order any part individually. Reference numbers of this type appear in illustration and in parts lists.

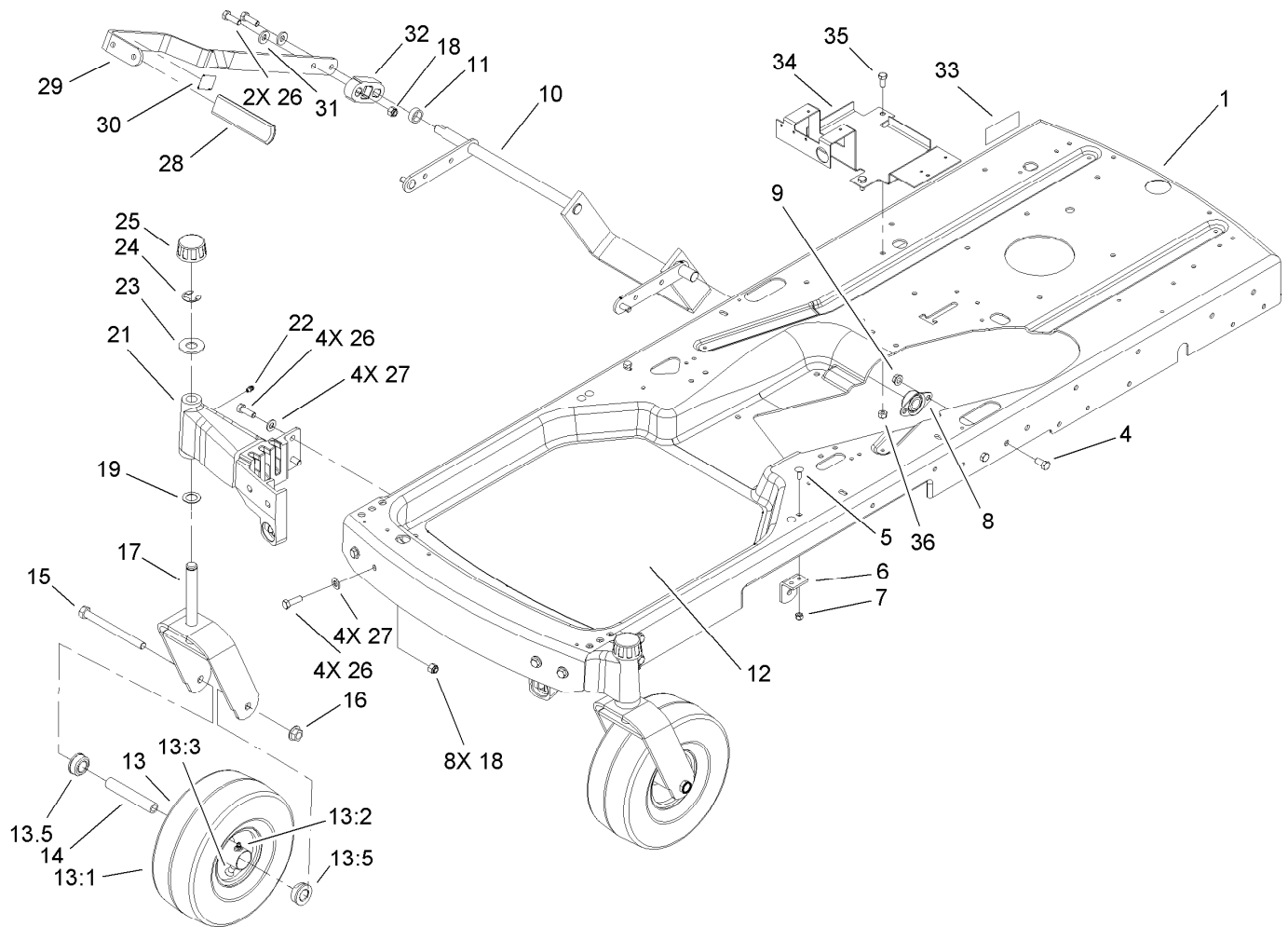
Reference Numbers Indicating Quantity

In an illustration, if a reference number indicates more than one part, the reference number has the form nX y. The n represents the quantity of the part, the X is the multiplication symbol, and the y represents the reference number.

For example, in an illustration, the reference number 2X 37 means that two of the parts identified by reference number 37 are indicated.

Contents

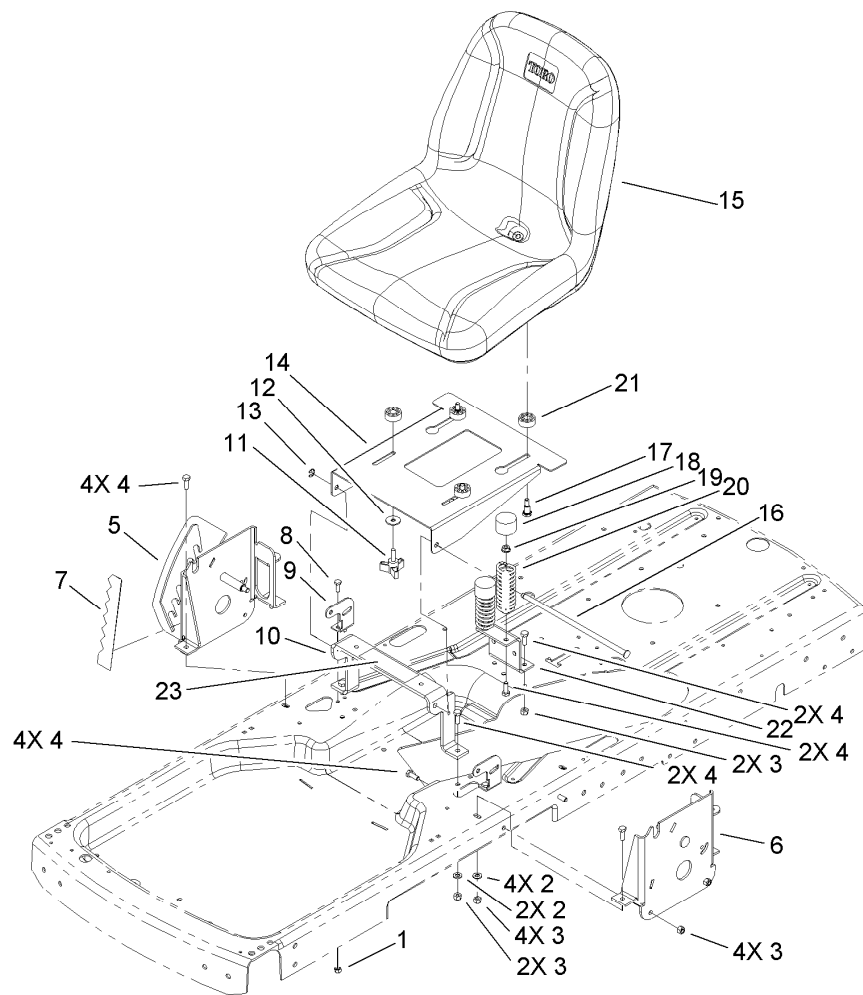
| | |
|---|----|
| Frame Assembly | 4 |
| Seat Assembly | 5 |
| Control Assembly | 6 |
| Drive Assembly | 7 |
| LH Hydro Transaxle Assembly No. 112-4760 | 8 |
| RH Hydro Transaxle Assembly No. 112-4761 | 10 |
| Styling Assembly | 12 |
| Grass Bag Assembly | 13 |
| 42 Inch Top Deck Assembly | 14 |
| 42 Inch Bottom Deck Assembly | 15 |
| Spindle Housing No. 107-9161 Assembly | 16 |
| Engine Assembly | 17 |
| Electrical Assembly | 18 |
| Cylinder Assembly Honda GXV530 EXA2 | 19 |
| Crankcase Assembly Honda GXV530 EXA2 | 20 |
| Oil Pan Assembly Honda GXV530 EXA2 | 21 |
| Crankshaft Assembly Honda GXV530 EXA2 | 22 |
| Piston and Connecting Rod Assembly Honda GXV530 EXA2 | 23 |
| Camshaft Assembly Honda GXV530 EXA2 | 24 |
| Fan Cover Assembly Honda GXV530 EXA2 | 25 |
| Carburetor Assembly Honda GXV530 EXA2 | 26 |
| Exhaust Pipe Assembly Honda GXV530 EXA2 | 27 |
| Fuel Pump Assembly Honda GXV530 EXA2 | 28 |
| Flywheel Assembly Honda GXV530 EXA2 | 29 |
| Ignition Coil Assembly Honda GXV530 EXA2 | 30 |
| Starter Motor Assembly Honda GXV530 EXA2 | 31 |
| Control Assembly Honda GXV530 EXA2 | 32 |
| Regulator Rectifier and Sub-Wire Harness Assembly Honda GXV530 EXA2 | 33 |
| Label Assembly Honda GXV530 EXA2 | 34 |
| Attachments and Accessories | 35 |



Frame Assembly

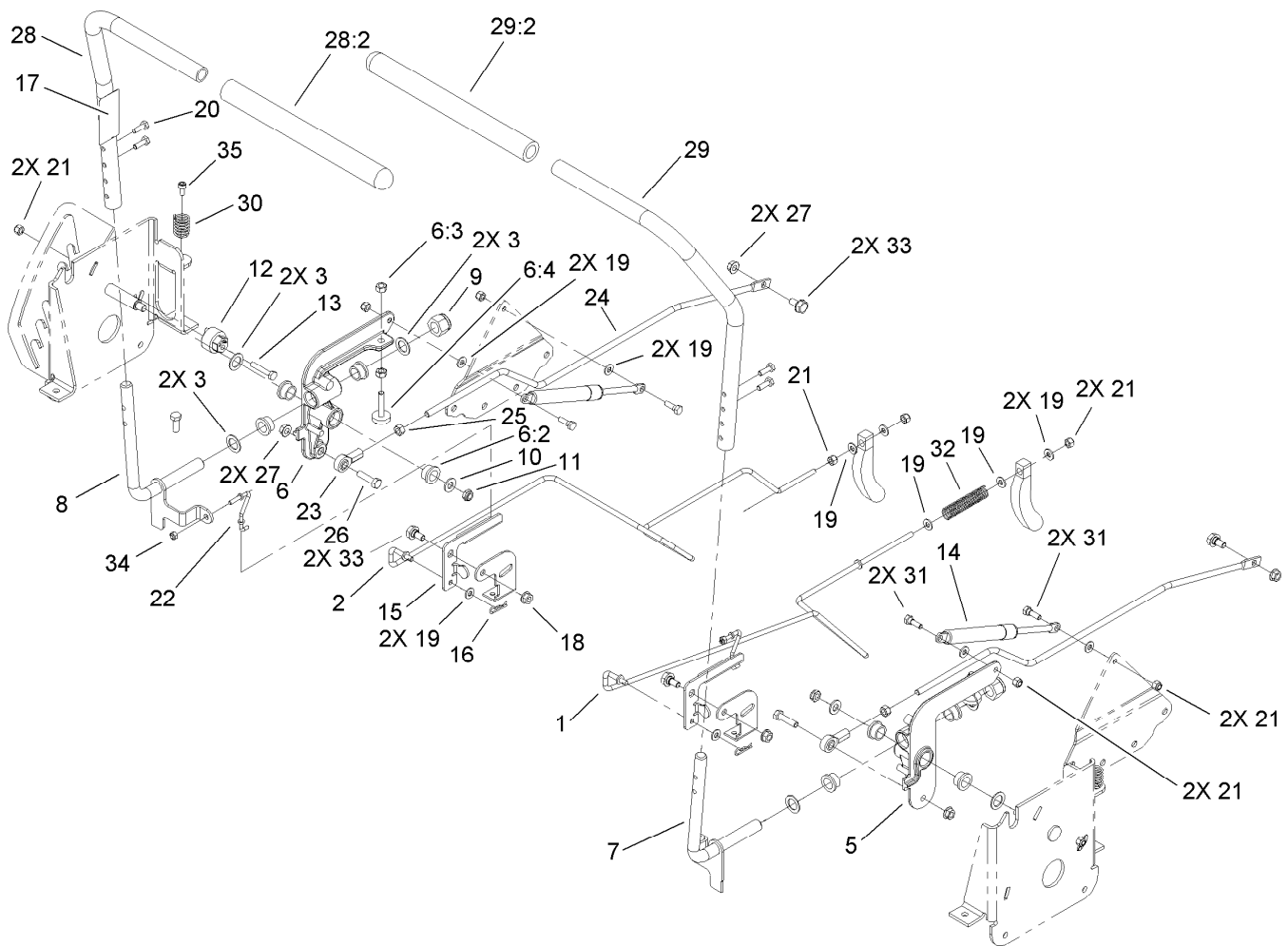
| Ref. | Part Number | Qty. | Description | Ref. | Part Number | Qty. | Description |
|-------|-------------|------|--------------------------|------|-------------|------|---------------------|
| 1 | 107-8999-01 | 1 | Frame | 18 | 3296-39 | 9 | Nut-Lock, NI |
| 4 | 323-4 | 4 | Screw-HH | 19 | 3-6498 | 2 | Washer-Thrust |
| 5 | 3229-1 | 4 | Bolt-CARR | 20 | 105-6986-01 | 1 | Caster-LH ● |
| 6 | 105-3439 | 2 | Bracket-Lift | 21 | 105-6985-01 | 1 | Caster-RH |
| 7 | 3296-42 | 4 | Nut-Lock, NI | 22 | 302-5 | 2 | Fitting-Grease |
| 8 | 1-633102 | 2 | Bearing-Flange, Side | 23 | 28-2480 | 2 | Washer-Plain |
| 9 | 3290-357 | 4 | Nut-HHF, Whiz | 24 | 32151-103 | 2 | Ring-Retaining, EXT |
| 10 | 114-3601-03 | 1 | Lift Arm ASM | 25 | 61-9780 | 2 | Cap-Hub |
| 11 | 106-2222 | 1 | Spacer | 26 | 323-18 | 10 | Screw-HH |
| 12 | 105-3460 | 1 | Pad-Antiskid | 27 | 3256-24 | 8 | Washer-Flat |
| 13 | 105-3471 | 2 | Front Wheel And Tire ASM | 28 | 105-3450 | 1 | Grip-Lever, Lift |
| 13:1 | 105-1943 | 1 | Tire | 29 | 108-2317-03 | 1 | Lever-Lift |
| 13:2 | 302-5 | 1 | Fitting-Grease | 30 | 106-8743 | 1 | Decal-HOC |
| 13:3 | 232-27 | 1 | Stem-Valve | 31 | 98-5975 | 2 | Washer-Belleville |
| 13:5 | 114-1640 | 2 | Bushing-Flange | 32 | 106-2211 | 1 | Block-Lift |
| 13:99 | 93-4244 | 1 | Tube-Inner (W/Valve) ● | 33 | 106-7043 | 1 | Decal-Transport |
| 14 | 104-3667 | 2 | Bushing-Spanner | 34 | 112-7562-03 | 1 | Holder-Battery |
| 15 | 325-22 | 2 | Screw-HH | 35 | 322-3 | 2 | Screw-HH |
| 16 | 32128-23 | 2 | Nut-HF | 36 | 3296-29 | 2 | Nut-Lock, NI |
| 17 | 110-6581-01 | 2 | Caster Fork ASM | | | | |

● Not illustrated



Seat Assembly

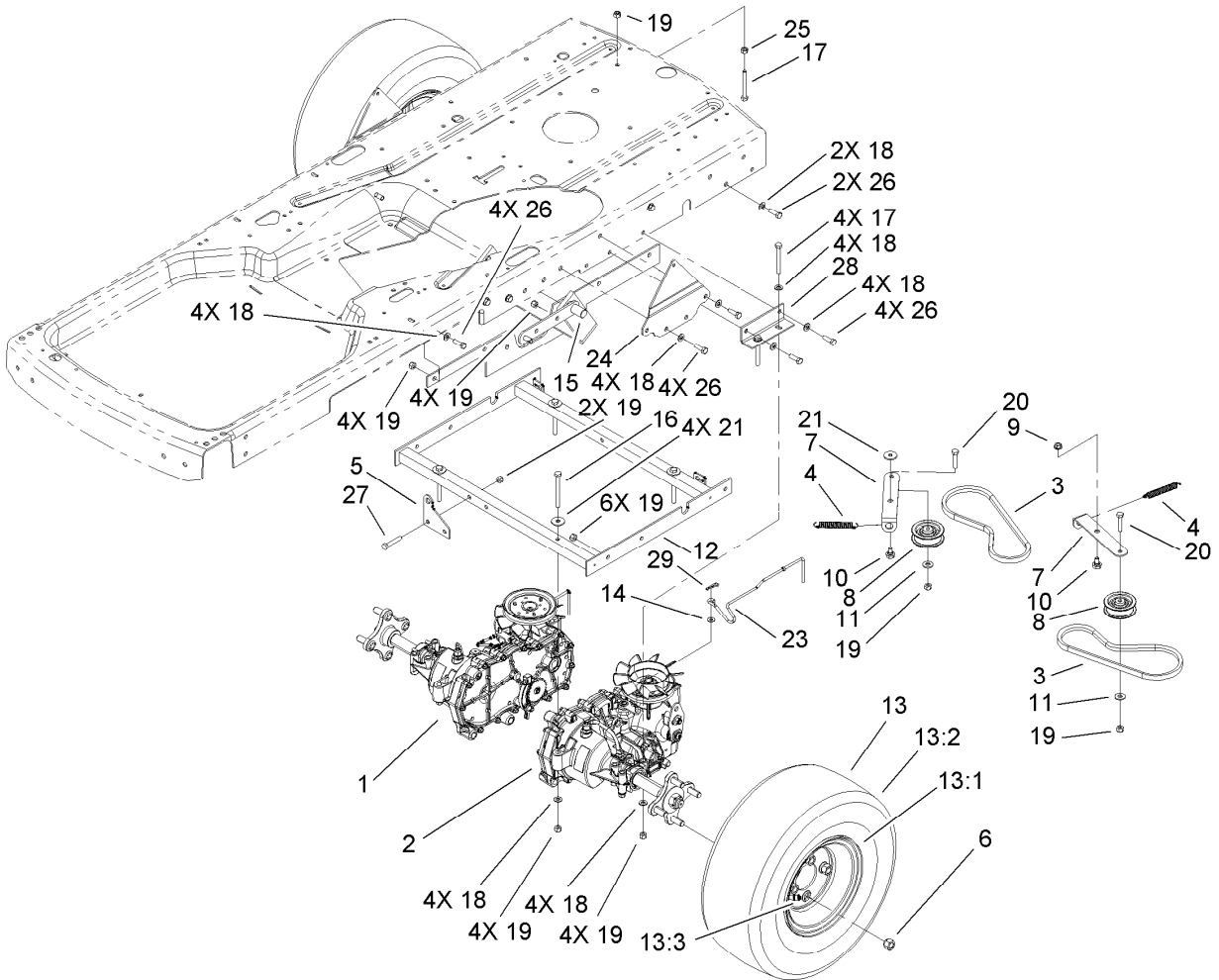
| Ref. | Part Number | Qty. | Description |
|------|-------------|------|--------------------|
| 1 | 3296-42 | 4 | Nut-Lock, NI |
| 2 | 3256-23 | 6 | Washer-Plain |
| 3 | 3296-29 | 12 | Nut-Lock, NI |
| 4 | 322-4 | 14 | Screw-HH |
| 5 | 106-2158-03 | 1 | RH Plate ASM |
| 6 | 106-2159-03 | 1 | LH Plate ASM |
| 7 | 106-2223 | 1 | Decal-HOC |
| 8 | 321-4 | 4 | Screw-HH |
| 9 | 106-2180 | 2 | Bracket-Bellcrank |
| 10 | 108-8742-03 | 1 | Brace-Seat, DC |
| 11 | 106-2240 | 2 | Knob |
| 12 | 5-4460 | 2 | Washer-Pivot |
| 13 | 105-7004 | 1 | E-Ring |
| 14 | 105-6953-03 | 1 | Bracket-Seat |
| 15 | 108-2329 | 1 | Seat |
| 16 | 105-6955 | 1 | Pin-Pivot |
| 17 | 613529 | 2 | Screw-Shoulder |
| 18 | 701178 | 2 | Cap-Protector |
| 19 | 32128-25 | 2 | Nut-HF |
| 20 | 92-7054 | 2 | Spring-Compression |
| 21 | 107-4902 | 4 | Spacer-Nylon |
| 22 | 107-8964-03 | 1 | Brace-Seat |
| 23 | 112-7563 | 1 | Decal-Service, CE |



Control Assembly

| Ref. | Part Number | Qty. | Description | Ref. | Part Number | Qty. | Description |
|------|-------------|------|------------------------|------|-------------|------|-----------------------|
| 1 | 108-8792 | 1 | Rod-Brake, LH | 17 | 106-8742 | 2 | Decal |
| 2 | 110-1041 | 1 | Rod-Brake, RH | 18 | 32128-25 | 2 | Nut-HF |
| 3 | 105-3481 | 6 | Washer-Thrust | 19 | 3256-22 | 11 | Washer-Flat |
| 5 | 110-1869 | 1 | LH Activator Arm ASM | 20 | 321-4 | 4 | Screw-HH |
| 5:2 | 105-3455 | 4 | Bushing ● | 21 | 3296-42 | 9 | Nut-Lock, NI |
| 5:3 | 3217-6 | 2 | Nut-Hex ● | 22 | 106-2179 | 2 | Link-Brake |
| 5:4 | 105-3486 | 1 | Stop-Adjustment ● | 23 | 1-543017 | 2 | Balljoint-RH |
| 6 | 110-1870 | 1 | RH Activator Arm ASM | 24 | 105-7048 | 2 | Rod-Hydro |
| 6:2 | 105-3455 | 4 | Bushing | 25 | 3219-2 | 2 | Nut-Hex |
| 6:3 | 3217-6 | 2 | Nut-Hex | 26 | 322-6 | 2 | Screw-HH |
| 6:4 | 105-3486 | 1 | Stop-Adjustment | 27 | 32128-20 | 4 | Nut-HF |
| 7 | 105-3488 | 1 | LH Pivot Shaft ASM | 28 | 108-8746 | 1 | RH Control Handle ASM |
| 8 | 105-3487 | 1 | RH Pivot Shaft ASM | 28:2 | 1-633257 | 1 | Grip-Control, Motion |
| 9 | 3296-53 | 2 | Nut-Lock, NI | 29 | 108-8747 | 1 | LH Control Handle ASM |
| 10 | 3256-24 | 2 | Washer-Flat | 29:2 | 1-633257 | 1 | Grip-Control, Motion |
| 11 | 3296-59 | 2 | Nut-Lock, NI | 30 | 105-3469 | 2 | Spring-Compression |
| 12 | 107-4874 | 2 | Eccentric | 31 | 106-2214 | 4 | Bolt-Shoulder |
| 13 | 321-9 | 2 | Screw-HH | 32 | 105-3465 | 1 | Spring-Compression |
| 14 | 103-2913 | 2 | Damper-Control, Motion | 33 | 37-8771 | 4 | Bolt-Shoulder, HF |
| 15 | 106-2181 | 2 | Bellcrank | 34 | 3296-2 | 2 | Nut-Lock, NI |
| 16 | 1-806003 | 2 | Pin-Cotter | 35 | 3274-52 | 2 | Screw-HSH |

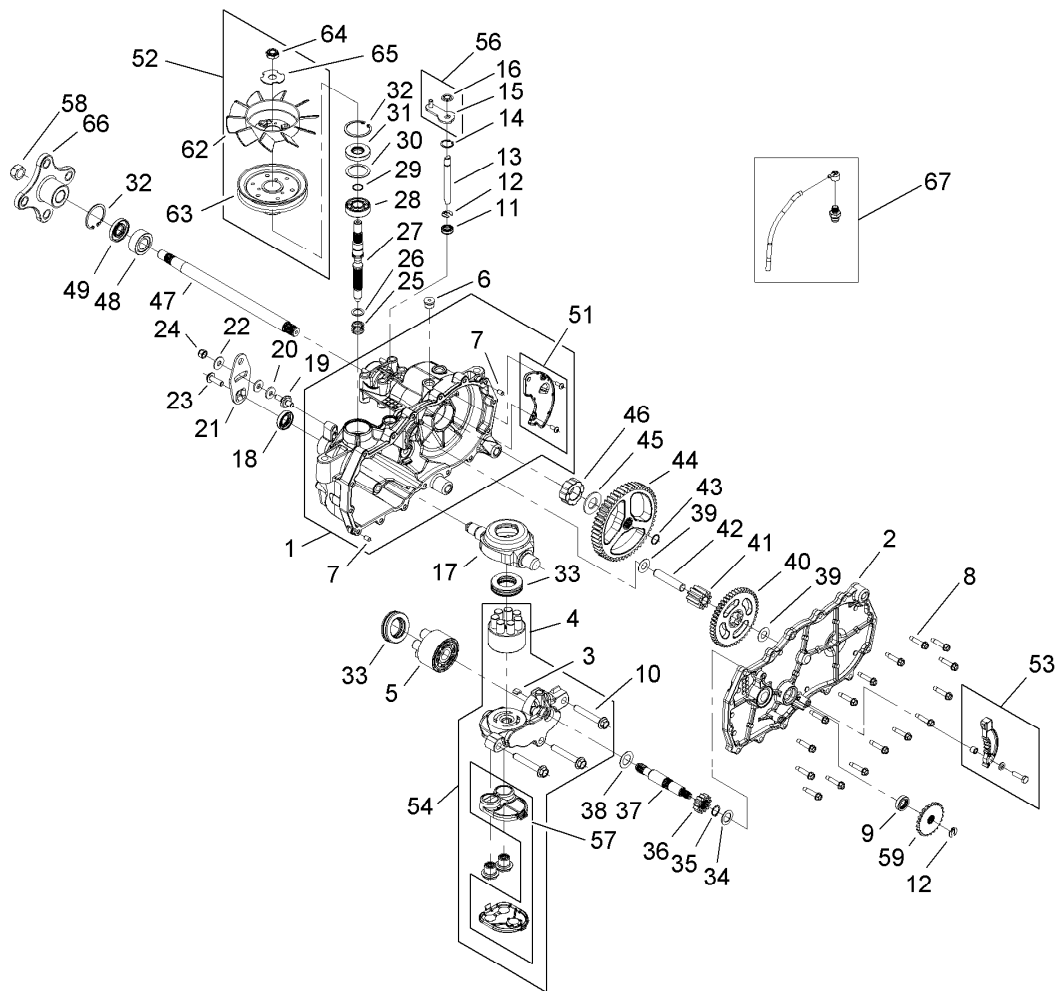
● Not illustrated



Drive Assembly

| Ref. | Part Number | Qty. | Description | Ref. | Part Number | Qty. | Description |
|-------|-------------|------|---------------------|------|-------------|------|------------------------|
| 1 | 112-4761 | 1 | Transaxle-Hydro, RH | 14 | 3256-1 | 2 | Washer-Flat |
| 2 | 112-4760 | 1 | Transaxle-Hydro, LH | 15 | 107-8970-03 | 1 | Brace-Frame, Left Side |
| 3 | 106-2174 | 2 | V-Belt | 16 | 322-20 | 4 | Screw-HH |
| 4 | 95-3805 | 2 | Spring | 17 | 322-13 | 5 | Screw-HH |
| 5 | 105-7049 | 1 | Bracket-Spring | 18 | 3256-23 | 26 | Washer-Plain |
| 6 | 242-50 | 8 | Nut-Lug | 19 | 3296-29 | 27 | Nut-Lock, NI |
| 7 | 105-7047 | 2 | Arm-Idler | 20 | 322-7 | 2 | Screw-HH |
| 8 | 106-2176 | 2 | Pulley-Idler | 21 | 5-4460 | 5 | Washer-Pivot |
| 9 | 32128-25 | 1 | Nut-HF | 22 | 107-2464 | 1 | Arm-Bypass, RH ● |
| 10 | 37-8771 | 2 | Bolt-Shoulder, HF | 23 | 107-2463 | 1 | Arm-Bypass, LH |
| 11 | 3256-3 | 2 | Washer-Flat | 24 | 112-4754-03 | 2 | Anchor-Damper |
| 12 | 108-8733-03 | 1 | Hydro Frame ASM | 25 | 3217-6 | 1 | Nut-Hex |
| 13 | 106-7004 | 2 | Wheel And Tire ASM | 26 | 322-5 | 14 | Screw-HH |
| 13:1 | 242-76 | 1 | Rim | 27 | 322-9 | 2 | Screw-HH |
| 13:2 | 106-7006 | 1 | Tire | 28 | 105-7039-03 | 2 | Support-Hydro |
| 13:3 | 232-27 | 1 | Stem-Valve | 29 | 1-806003 | 2 | Pin-Cotter |
| 13:99 | 107-2491 | 1 | Tube-Tire ● | | | | |

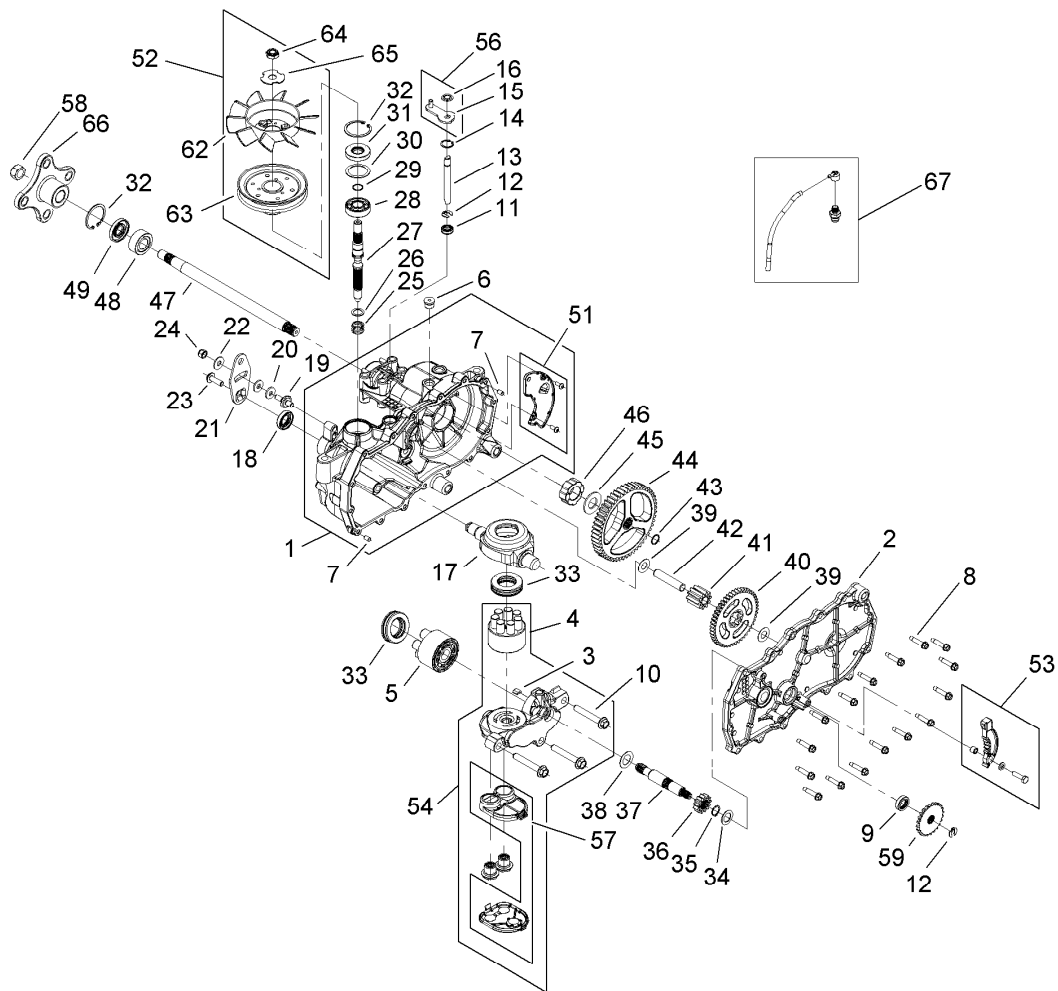
● Not illustrated



LH Hydro Transaxle Assembly No. 112-4760

| Ref. | Part Number | Qty. | Description | Ref. | Part Number | Qty. | Description |
|------|-------------|------|--------------------------|------|-------------|------|------------------------|
| 1 | 106-8695 | 1 | Main Housing ASM | 26 | 94-1937 | 1 | Washer-Thrust |
| 2 | 106-8696 | 1 | Side ASM | 27 | 104-5306 | 1 | Shaft-Input |
| 3 | 110-8560 | 1 | Plate-Bypass | 28 | 104-5311 | 1 | Bearing-Ball |
| 4 | 110-8561 | 1 | Pump Block ASM | 29 | 104-5307 | 1 | Ring-Retaining |
| 5 | 104-2106 | 1 | Cylinder Block ASM | 30 | 104-5308 | 1 | Spacer |
| 6 | 112-9850 | 1 | Plug | 31 | 104-5310 | 1 | Seal-Lip |
| 7 | 104-2170 | 2 | Pin | 32 | 104-5309 | 2 | Ring-Retaining |
| 8 | 104-5305 | 16 | Screw-HHF | 33 | 94-6922 | 2 | Bearing-Thrust |
| 9 | 112-9851 | 1 | Brake Seal Kit | 34 | 104-5339 | 1 | Washer-Flat |
| 10 | 94-6926 | 3 | Bolt | 35 | 104-5340 | 1 | Ring-Retaining |
| 11 | 106-8676 | 1 | Seal-Lip | 36 | 104-5316 | 1 | Gear-Pinion, 13T |
| 12 | 106-8677 | 2 | Ring-Retaining, External | 37 | 106-8683 | 1 | Shaft-Motor |
| 13 | 106-8678 | 1 | Rod-Bypass | 38 | 104-5360 | 1 | Washer |
| 14 | 106-8679 | 1 | Ring-Retaining, Internal | 39 | 94-1933 | 2 | Washer |
| 15 | 107-2490 | 1 | Arm-Bypass | 40 | 104-5317 | 1 | Gear-10T/48T |
| 16 | 106-8681 | 1 | Ring-Retaining, External | 41 | 104-5318 | 1 | Gear-Jackshaft, 10T |
| 17 | 104-5304 | 1 | Swashplate-Trunnion | 42 | 104-5329 | 1 | Pin-Jackshaft |
| 18 | 104-5313 | 1 | Seal-Lip | 43 | 112-9854 | 1 | Ring-Spiral, Retaining |
| 19 | 104-2116 | 1 | Stud | 44 | 112-9855 | 1 | Gear-52T, Bull |
| 20 | 112-9853 | 1 | Puck-Friction | 45 | 112-9856 | 1 | Washer |
| 21 | 106-8747 | 1 | Arm-Control | 46 | 112-9857 | 1 | Bearing-Sleeve |
| 22 | 5-4460 | 1 | Washer-Pivot | 47 | 112-9858 | 1 | Shaft-Axle |
| 23 | 107-2488 | 1 | Screw | 48 | 112-9859 | 1 | Bushing-Axle |
| 24 | 105-1872 | 1 | Nut | 49 | 112-9860 | 1 | Seal-Lip |
| 25 | 94-1936 | 1 | Spring-Block | 50 | 106-8686 | 1 | Seal Kit ● |

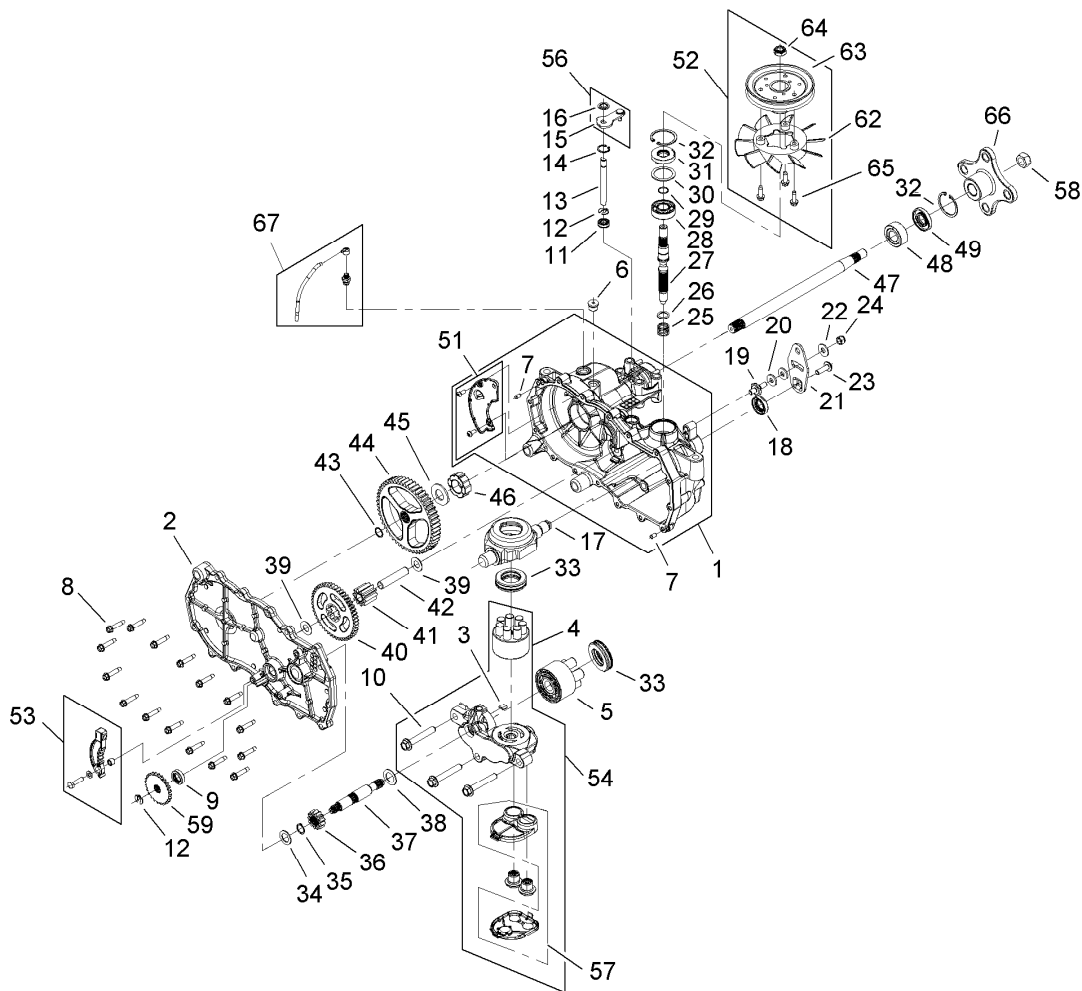
● Not illustrated



LH Hydro Transaxle Assembly No. 112-4760 (continued)

| Ref. | Part Number | Qty. | Description | Ref. | Part Number | Qty. | Description |
|------|-------------|------|--------------------------------------|------|-------------|------|---------------------------|
| 51 | 106-8697 | 1 | Expansion Plate Kit | 59 | 106-8694 | 1 | Disc-Brake, Cog |
| 52 | 106-8698 | 1 | Fan Pulley Kit | 60 | 112-9864 | 1 | Hose ● |
| 53 | 106-8688 | 1 | Brake Arm Kit | 61 | 108-8562 | 1 | Pinch-Clamp, Single Ear ● |
| 54 | 112-9861 | 1 | Center Section Filter Kit | 62 | 110-8566 | 1 | Fan-6 Inch, 10 Blade |
| 55 | 112-9863 | 1 | *obs* Tube-Sealant (Xref 104-2147) ● | 63 | 104-1754 | 1 | Pulley |
| 56 | 107-2489 | 1 | Bypass Arm Kit | 64 | 105-1875 | 1 | Nut-Lock |
| 57 | 106-8693 | 1 | Filter Kit | 65 | 107-9122 | 1 | Washer-Slotted |
| 58 | 110-8563 | 1 | Nut-Lock, HH | 66 | 105-1894 | 1 | Hub ASM |
| | | | | 67 | 112-9866 | 1 | Breather Kit |

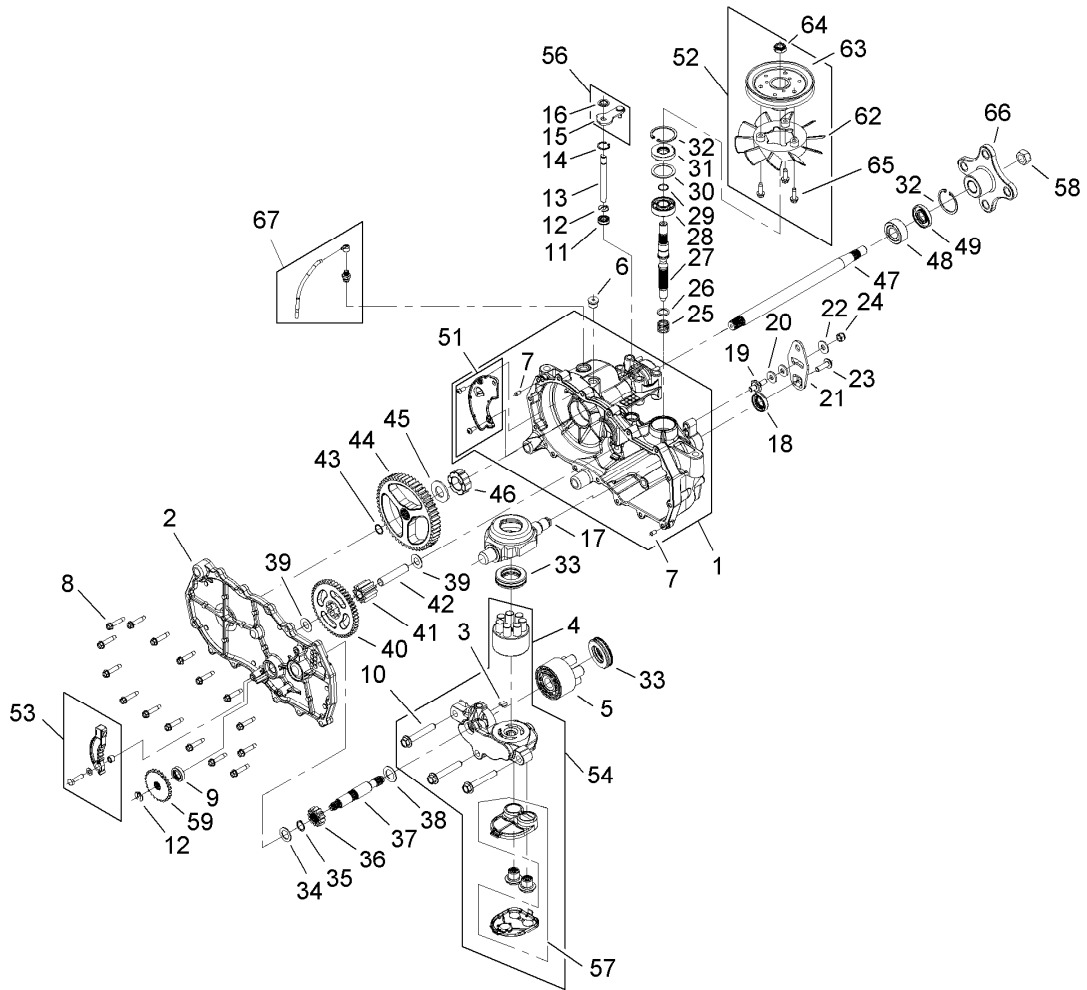
● Not illustrated



RH Hydro Transaxle Assembly No. 112-4761

| Ref. | Part Number | Qty. | Description | Ref. | Part Number | Qty. | Description |
|------|-------------|------|--------------------------|------|-------------|------|------------------------|
| 1 | 106-8674 | 1 | Main Housing ASM | 26 | 94-1937 | 1 | Washer-Thrust |
| 2 | 106-8675 | 1 | Side ASM | 27 | 104-5306 | 1 | Shaft-Input |
| 3 | 110-8560 | 1 | Plate-Bypass | 28 | 104-5311 | 1 | Bearing-Ball |
| 4 | 110-8561 | 1 | Pump Block ASM | 29 | 104-5307 | 1 | Ring-Retaining |
| 5 | 104-2106 | 1 | Cylinder Block ASM | 30 | 104-5308 | 1 | Spacer |
| 6 | 112-9850 | 1 | Plug | 31 | 104-5310 | 1 | Seal-Lip |
| 7 | 104-2170 | 2 | Pin | 32 | 104-5309 | 2 | Ring-Retaining |
| 8 | 104-5305 | 16 | Screw-HHF | 33 | 94-6922 | 2 | Bearing-Thrust |
| 9 | 112-9851 | 1 | Brake Seal Kit | 34 | 104-5339 | 1 | Washer-Flat |
| 10 | 94-6926 | 3 | Bolt | 35 | 104-5340 | 1 | Ring-Retaining |
| 11 | 106-8676 | 1 | Seal-Lip | 36 | 104-5316 | 1 | Gear-Pinion, 13T |
| 12 | 106-8677 | 2 | Ring-Retaining, External | 37 | 106-8683 | 1 | Shaft-Motor |
| 13 | 106-8678 | 1 | Rod-Bypass | 38 | 104-5360 | 1 | Washer |
| 14 | 106-8679 | 1 | Ring-Retaining, Internal | 39 | 94-1933 | 1 | Washer |
| 15 | 112-9852 | 1 | Arm-Bypass | 40 | 104-5317 | 1 | Gear-10T/48T |
| 16 | 106-8681 | 1 | Ring-Retaining, External | 41 | 104-5318 | 1 | Gear-Jackshaft, 10T |
| 17 | 104-5304 | 1 | Swashplate-Trunnion | 42 | 104-5329 | 1 | Pin-Jackshaft |
| 18 | 104-5313 | 1 | Seal-Lip | 43 | 112-9854 | 1 | Ring-Spiral, Retaining |
| 19 | 104-2116 | 1 | Stud | 44 | 112-9855 | 1 | Gear-52T, Bull |
| 20 | 112-9853 | 1 | Puck-Friction | 45 | 112-9856 | 1 | Washer |
| 21 | 106-8747 | 1 | Arm-Control | 46 | 112-9857 | 1 | Bearing-Sleeve |
| 22 | 5-4460 | 1 | Washer-Pivot | 47 | 112-9858 | 1 | Shaft-Axle |
| 23 | 107-2488 | 1 | Screw | 48 | 112-9859 | 1 | Bushing-Axle |
| 24 | 105-1872 | 1 | Nut | 49 | 112-9860 | 1 | Seal-Lip |
| 25 | 94-1936 | 1 | Spring-Block | 50 | 106-8686 | 1 | Seal Kit ● |

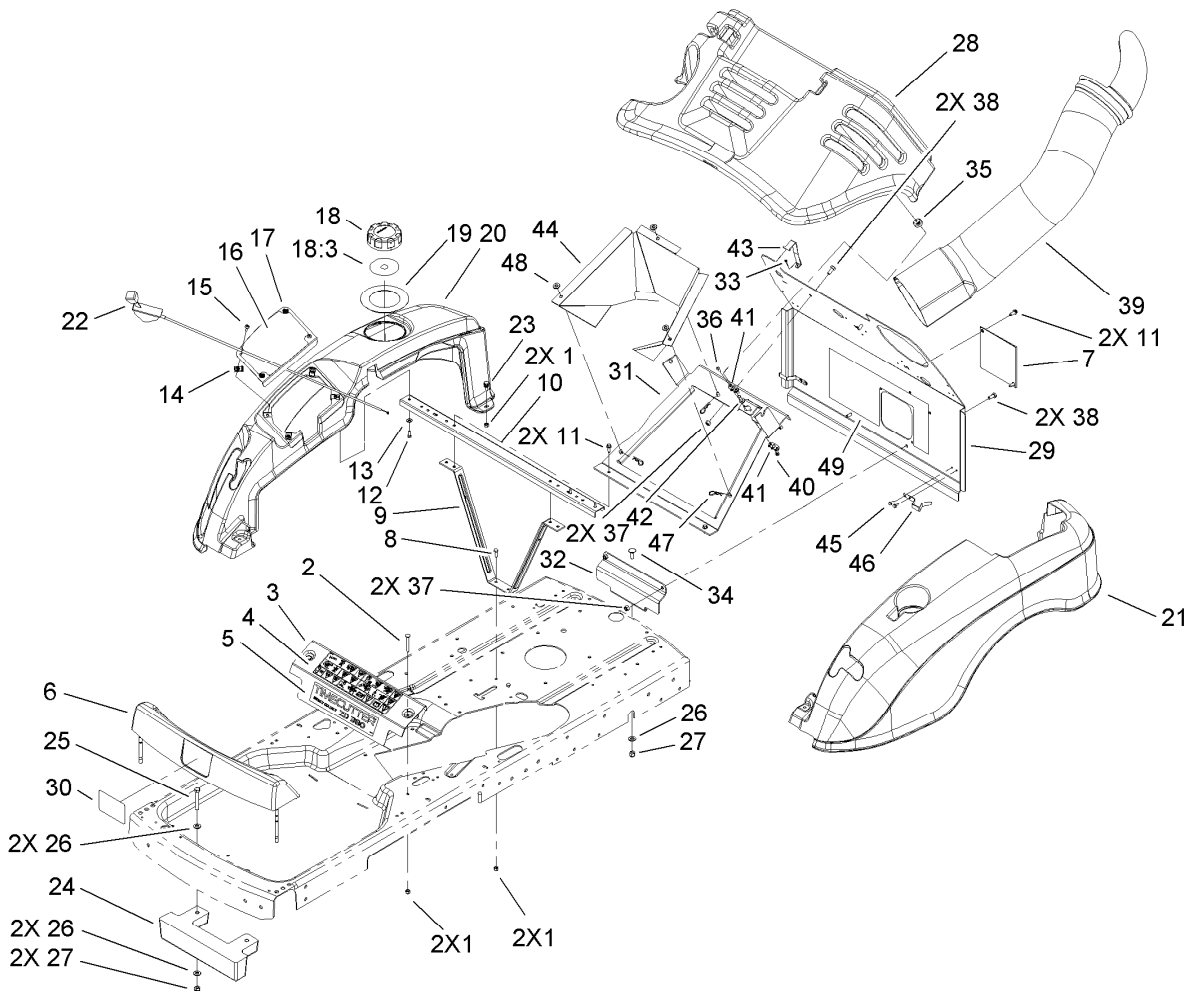
● Not illustrated



RH Hydro Transaxle Assembly No. 112-4761 (continued)

| Ref. | Part Number | Qty. | Description | Ref. | Part Number | Qty. | Description |
|------|-------------|------|--------------------------------------|------|-------------|------|---------------------------|
| 51 | 106-8687 | 1 | Expansion Plate Kit | 59 | 106-8694 | 1 | Disc-Brake, Cog |
| 52 | 105-1928 | 1 | Fan Pulley Kit | 60 | 112-9865 | 1 | Hose ● |
| 53 | 106-8688 | 1 | Brake Arm Kit | 61 | 108-8562 | 1 | Pinch-Clamp, Single Ear ● |
| 54 | 112-9862 | 1 | Center Section Filter Kit | 62 | 105-1927 | 1 | Fan |
| 55 | 112-9863 | 1 | *obs* Tube-Sealant (Xref 104-2147) ● | 63 | 105-1896 | 1 | Pulley |
| 56 | 107-2489 | 1 | Bypass Arm Kit | 64 | 105-1875 | 1 | Nut-Lock |
| 57 | 106-8693 | 1 | Filter Kit | 65 | 104-2120 | 3 | Screw |
| 58 | 105-1895 | 1 | Nut | 66 | 105-1894 | 1 | Hub ASM |
| | | | | 67 | 112-9866 | 1 | Breather Kit |

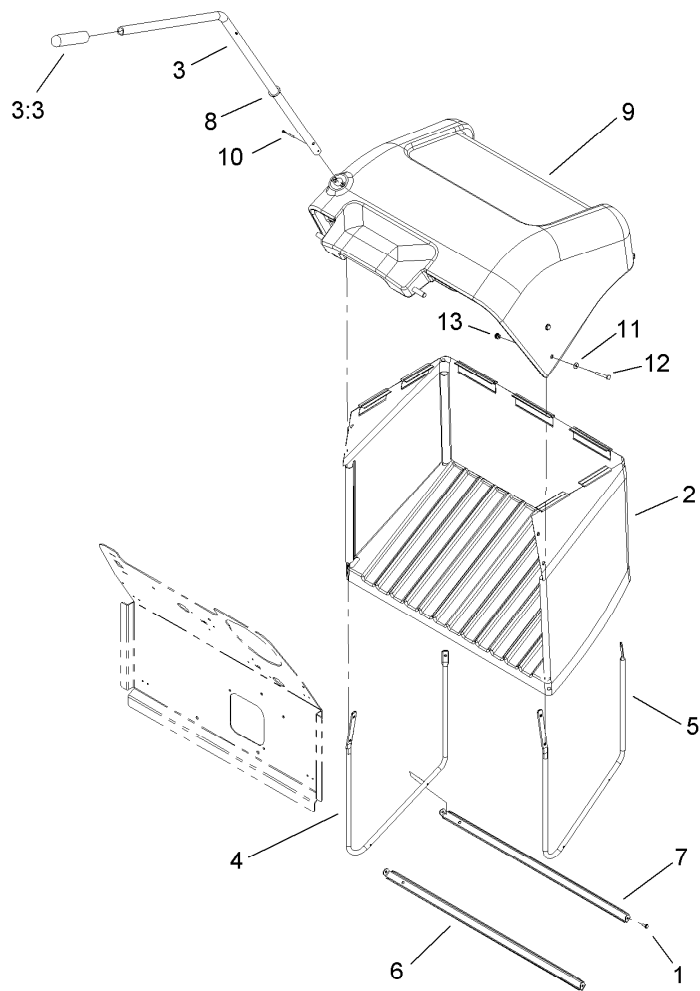
● Not illustrated



Styling Assembly

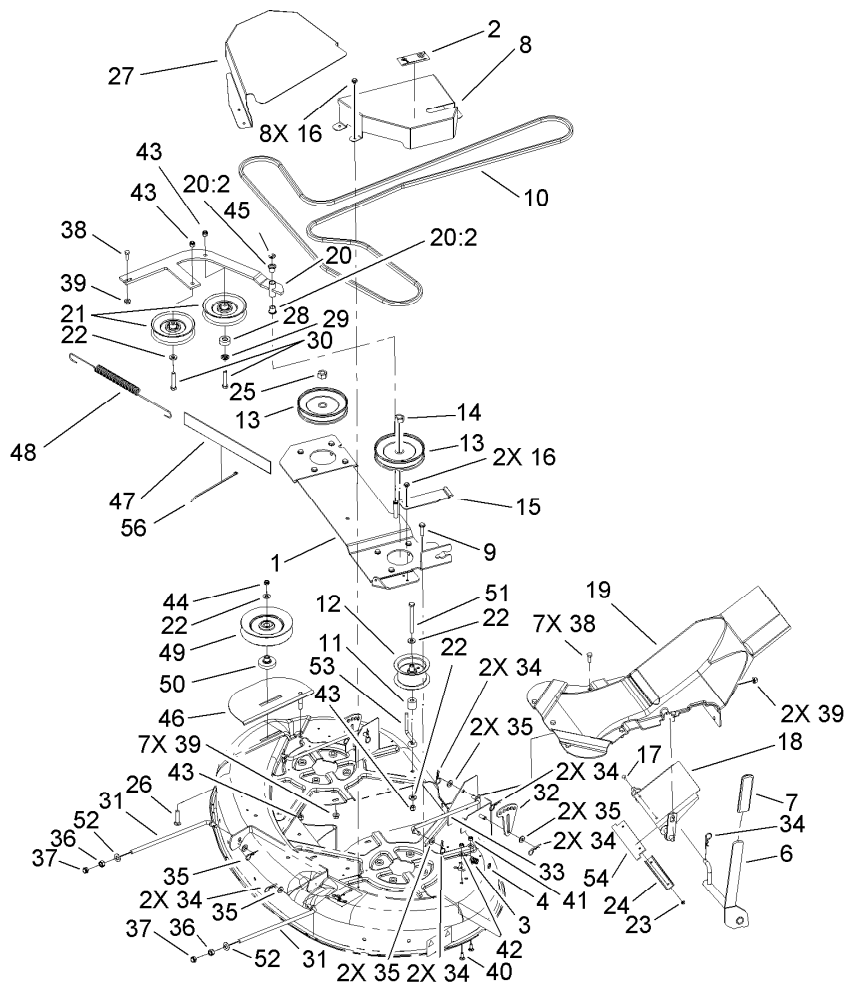
| Ref. | Part Number | Qty. | Description |
|------|-------------|------|------------------------|
| 1 | 3296-42 | 6 | Nut-Lock, NI |
| 2 | 3229-7 | 2 | Screw-CARR |
| 3 | 106-2164-03 | 1 | Bracket-Support, Front |
| 4 | 110-6567 | 1 | Decal-Danger |
| 5 | 112-7551 | 1 | Decal |
| 6 | 105-6965 | 1 | Footrest ASM |
| 7 | 112-7571 | 1 | Access Door ASM |
| 8 | 321-4 | 2 | Screw-HH |
| 9 | 106-6994-03 | 1 | Brace ASM |
| 10 | 108-2313-03 | 1 | Channel-Cross |
| 11 | 32144-44 | 4 | Screw-HWH, Thread Roll |
| 12 | 46-8090 | 4 | Screw-Plastite |
| 13 | 3256-22 | 4 | Washer-Flat |
| 14 | 107069 | 4 | Clip |
| 15 | 3258-166 | 4 | Screw-PRH |
| 16 | 106-2224 | 1 | Decal-Control |
| 17 | 106-2167-03 | 1 | Panel-Control |
| 18 | 88-3980 | 1 | Gas Cap ASM |
| 18:3 | 88-4010 | 1 | Gasket-Cap, Gas |
| 19 | 106-7042 | 1 | Seal-Rubber |
| 20 | 106-2161 | 1 | Cover-Side, RH |
| 21 | 108-8824 | 1 | Cover-Side, LH |
| 22 | 104-8081 | 1 | Cable-Throttle |
| 23 | 11-9030 | 2 | Screw-Shoulder |
| 24 | 105-6972-03 | 1 | Weight-Bagger |

| Ref. | Part Number | Qty. | Description |
|------|-------------|------|-----------------------|
| 25 | 323-12 | 2 | Screw-HH |
| 26 | 3256-24 | 5 | Washer-Flat |
| 27 | 3296-39 | 3 | Nut-Lock, NI |
| 28 | 110-3647 | 1 | Cover-Engine |
| 29 | 112-7553-03 | 1 | Shield-Heat, Bag |
| 30 | 105-6971 | 1 | Decal |
| 31 | 112-7565-03 | 1 | Offset Hinge ASM |
| 32 | 112-7552-03 | 1 | Hitch-Trailer |
| 33 | 3272-6 | 1 | Pin-Cotter |
| 34 | 3231-22 | 1 | Screw-CARR |
| 35 | 108-2305 | 1 | Grommet |
| 36 | 3274-39 | 2 | Screw-HSBH |
| 37 | 3296-29 | 4 | Nut-Lock, NI |
| 38 | 322-3 | 4 | Screw-HH |
| 39 | 110-3626 | 1 | Tube-Discharge |
| 40 | 3296-12 | 2 | Nut-Lock, NI |
| 41 | 107-9199 | 2 | Plate |
| 42 | 107-9198 | 1 | Pin-Hood |
| 43 | 114-3603 | 1 | Tab-Switch |
| 44 | 112-7555-03 | 1 | Duct-Fan, Engine |
| 45 | 32144-1 | 4 | Screw-Taptime |
| 46 | 112-7557 | 2 | Clip-Retainer, Bag |
| 47 | 3290-467 | 3 | Pin-Hair |
| 48 | 62-1230 | 3 | Washer-Rubber |
| 49 | 112-7567 | 1 | Foil-Heat Shield, Bag |



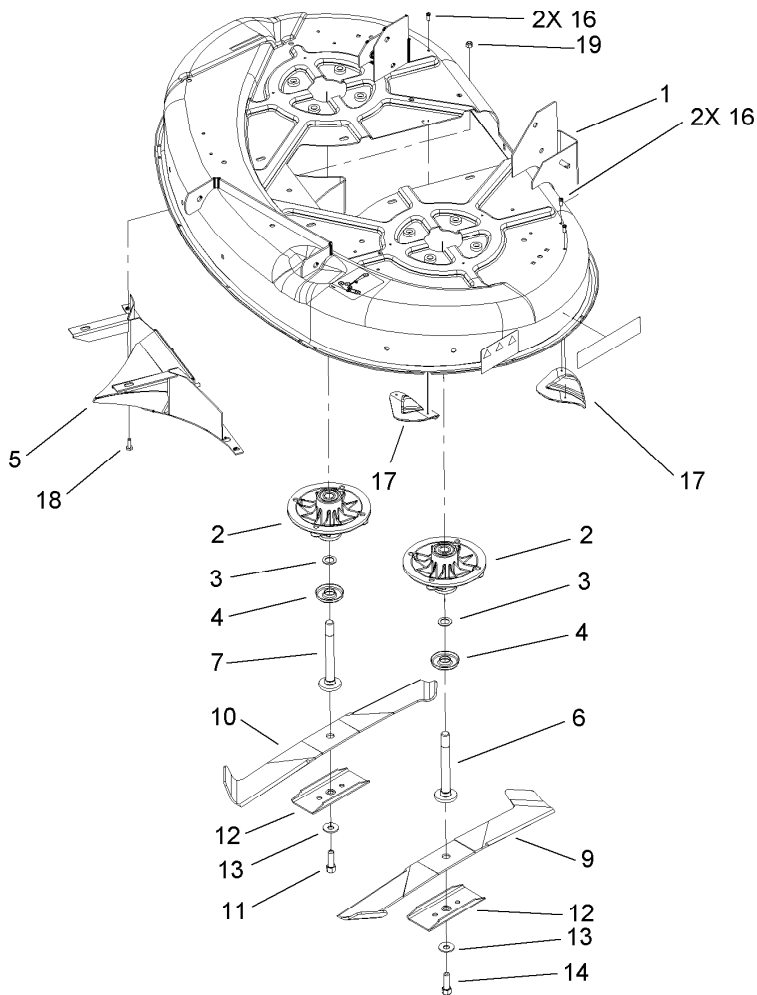
Grass Bag Assembly

| <i>Ref.</i> | <i>Part Number</i> | <i>Qty.</i> | <i>Description</i> |
|-------------|--------------------|-------------|---------------------|
| 1 | 32144-1 | 4 | Screw-Taptite |
| 2 | 110-3604 | 1 | Grass Bag ASM |
| 3 | 114-3604 | 1 | Lift Handle ASM |
| 3:3 | 110-1037 | 1 | Grip-Handle |
| 4 | 110-3606-03 | 1 | Frame-Bag, RH |
| 5 | 110-3607-03 | 1 | Frame-Bag, LH |
| 6 | 110-1005-03 | 1 | Support-Base Front |
| 7 | 110-1006-03 | 1 | Support-Base Rear |
| 8 | 1-303352 | 1 | Washer-Spindle |
| 9 | 110-3605 | 1 | Cover-Grass Catcher |
| 10 | 3272-12 | 1 | Pin-Cotter |
| 11 | 3256-1 | 6 | Washer-Flat |
| 12 | 321-53 | 6 | Screw-HH |
| 13 | 3296-73 | 6 | Nut-Lock, NI |



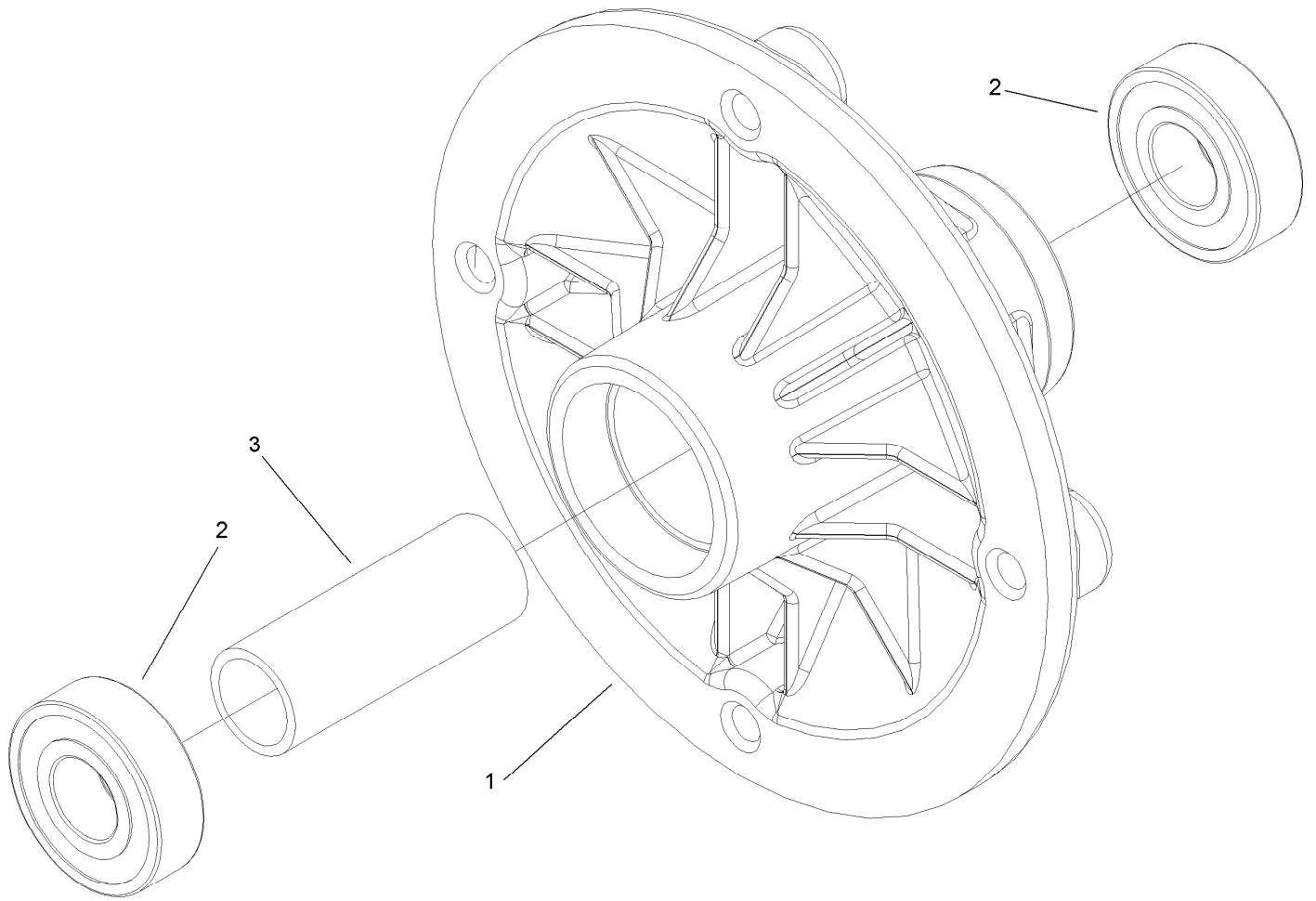
42 Inch Top Deck Assembly

| Ref. | Part Number | Qty. | Description | Ref. | Part Number | Qty. | Description |
|------|-------------|------|--------------------------|------|-------------|------|------------------------------|
| 1 | 112-6737-03 | 1 | Stiffener ASM | 29 | 108-8808 | 1 | Washer-Shoulder |
| 2 | 108-8769 | 1 | Decal-Bag On Demand | 30 | 323-10 | 2 | Screw-HH |
| 3 | 95-2747 | 1 | Fitting-Washout | 31 | 105-3437 | 2 | Rod-Hanger |
| 4 | 46-6290 | 1 | O-Ring | 32 | 88-5570-03 | 2 | Link-Adjusting, HOC |
| 6 | 110-8811-03 | 1 | Control Lever ASM | 33 | 108-8834 | 2 | Rod-Lift, Deck |
| 7 | 105-3450 | 1 | Grip-Lever, Lift | 34 | 9335054 | 11 | Pin-Hair |
| 8 | 112-3481-03 | 1 | Cover-Belt, LH | 35 | 3256-24 | 8 | Washer-Flat |
| 9 | 32144-57 | 8 | Screw | 36 | 3219-4 | 2 | Nut-Hex |
| 10 | 108-9459 | 1 | Belt-Aa | 37 | 3296-38 | 2 | Nut-Lock, NI |
| 11 | 61-2220 | 1 | Spacer | 38 | 322-4 | 8 | Screw-HH |
| 12 | 107280 | 1 | Pulley-Idler | 39 | 3296-58 | 10 | Nut-Lock, NI |
| 13 | 88-5330 | 2 | Pulley | 40 | 3229-1 | 2 | Bolt-CARR |
| 14 | 3219-6 | 1 | Nut-Hex | 41 | 3296-42 | 2 | Nut-Lock, NI |
| 15 | 112-6675 | 1 | Spring-Detent | 42 | 3256-1 | 2 | Washer-Flat |
| 16 | 46-8560 | 10 | Screw-HHFTF | 43 | 3296-39 | 4 | Nut-Lock, NI |
| 17 | 3229-34 | 2 | Screw-CARR | 44 | 3296-59 | 1 | Nut-Lock, NI |
| 18 | 112-3428-03 | 1 | 38 Inch Door ASM | 45 | 32120-47 | 1 | Ring-Retaining, External |
| 19 | 108-8865 | 1 | Adapter-Discharge | 46 | 110-3625-03 | 1 | Idler Bracket ASM |
| 20 | 110-3681 | 1 | Idler Arm W/Bushings ASM | 47 | 74-3280 | 1 | Guard-Splash |
| 20:2 | 256-219 | 2 | Bushing | 48 | 112-4763 | 1 | Spring-Arm, Idler |
| 21 | 94-2447 | 2 | Pulley-Idler | 49 | 1-633166 | 1 | Pulley-Idler |
| 22 | 65-9130 | 4 | Washer | 50 | 108-8802 | 1 | Idler Bushing And Spacer ASM |
| 23 | 3296-12 | 2 | Nut-Lock, NI | 51 | 323-42 | 1 | Screw-HH |
| 24 | 110-8575 | 1 | Plate-Seal, Door | 52 | 3256-25 | 2 | Washer-Flat |
| 25 | 3219-16 | 1 | Nut-Hex | 53 | 112-4787 | 1 | Guide-Belt, Idler |
| 26 | 3231-5 | 1 | Screw-CARR | 54 | 114-3600 | 1 | Seal-Door, Recycle |
| 27 | 112-3480-03 | 1 | Cover-Belt, RH | 56 | 614249 | 1 | Tie-Cable |
| 28 | 108-8807 | 1 | Slider | | | | |



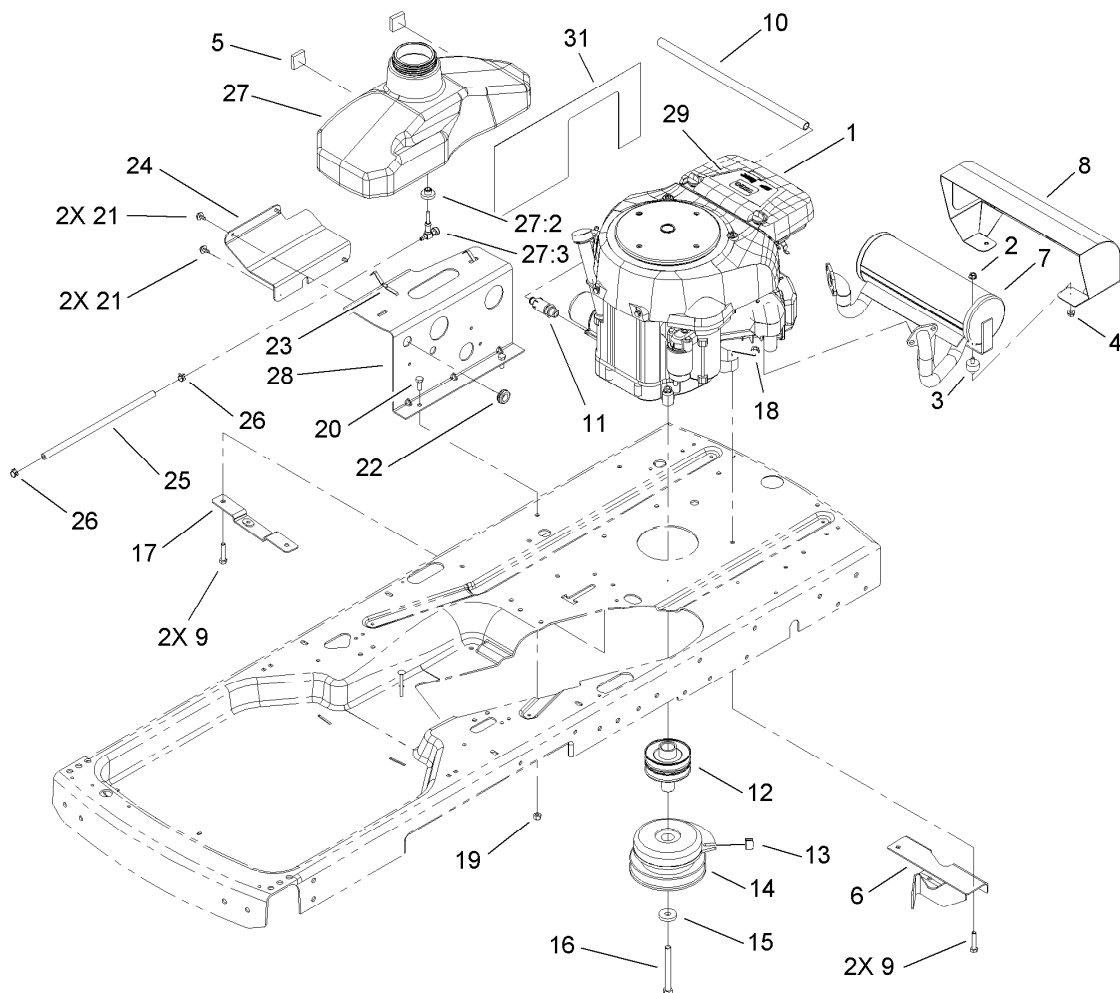
42 Inch Bottom Deck Assembly

| <i>Ref.</i> | <i>Part Number</i> | <i>Qty.</i> | <i>Description</i> |
|-------------|--------------------|-------------|-------------------------|
| 1 | 110-8555 | 1 | 42 Inch Deck ASM |
| 2 | 107-9161 | 2 | Spindle ASM |
| 3 | 80-4380 | 2 | Spacer |
| 4 | 80-4360 | 2 | Shield-Bearing |
| 5 | 112-4794-03 | 1 | 42 Inch Rear Baffle ASM |
| 6 | 80-4341 | 1 | Shaft-Spindle |
| 7 | 108-8801 | 1 | Shaft-Spindle |
| 9 | 107-8959-03 | 1 | Blade-LH, 21.60 Inch |
| 10 | 107-8958-03 | 1 | Blade-RH, 21.60 Inch |
| 11 | 108-8823 | 1 | Screw-HH |
| 12 | 106-2248-03 | 2 | Stiffener-Blade |
| 13 | 3290-465 | 2 | Washer-Belleville |
| 14 | 26-0671 | 1 | Screw-HH |
| 16 | 32144-111 | 4 | Screw-PPH |
| 17 | 76-2160 | 2 | Plate-Kicker |
| 18 | 321-4 | 3 | Screw-HH |
| 19 | 3296-42 | 3 | Nut-Lock, NI |



Spindle Housing No. 107-9161 Assembly

| <i>Ref.</i> | <i>Part Number</i> | <i>Qty.</i> | <i>Description</i> |
|-------------|--------------------|-------------|--------------------|
| 1 | 88-4510 | 1 | Housing-Spindle |
| 2 | 136-5441 | 2 | Bearing-Ball |
| 3 | 62-3661 | 1 | Spacer |



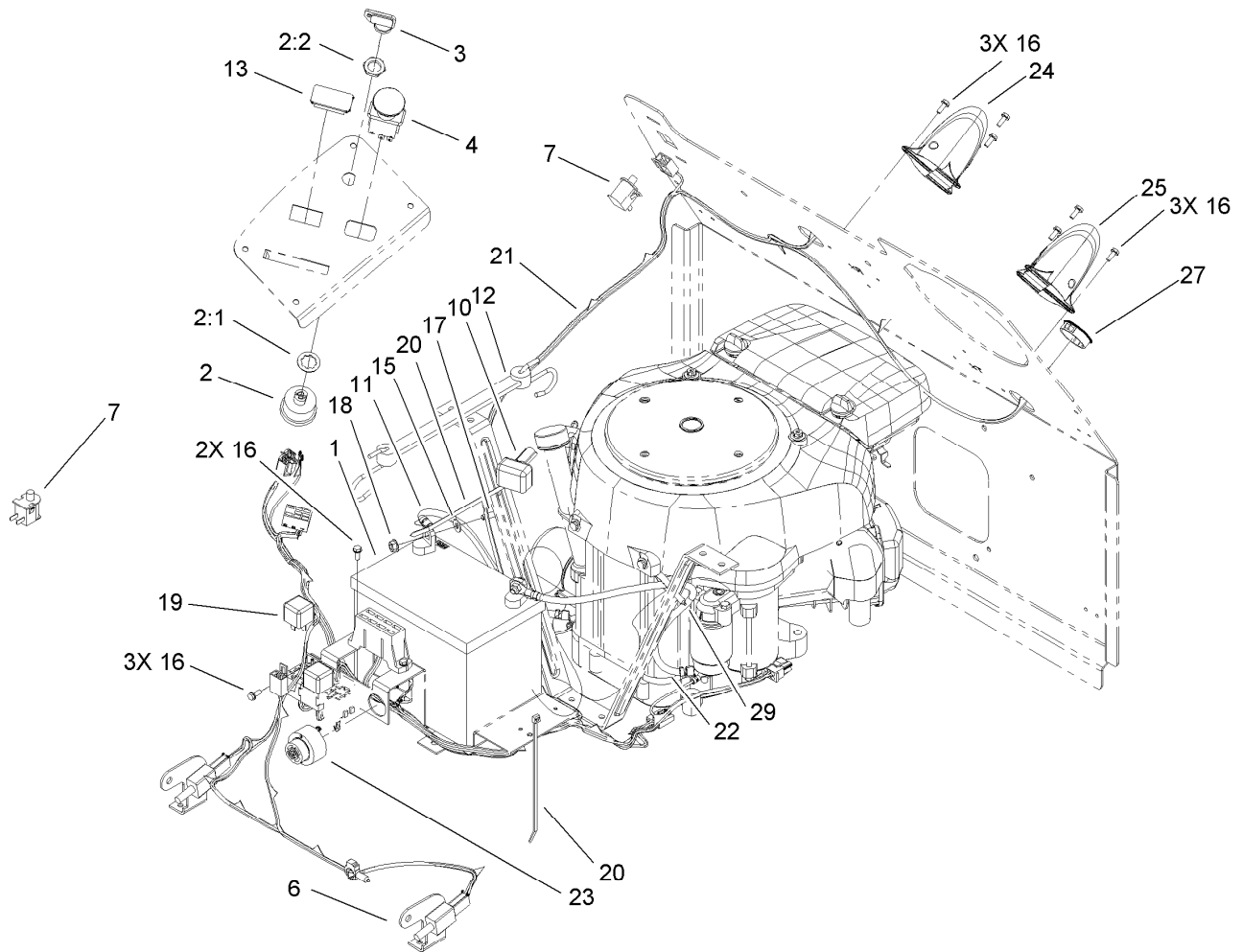
Engine Assembly

| Ref. | Part Number | Qty. | Description |
|------|-------------|------|----------------------------------|
| 1 | | 1 | Engine-Honda, Gxv 530 Exa2 ●■ |
| 2 | 32128-33 | 2 | Nut-HF |
| 3 | 108-6183 | 2 | Isolator-Rubber |
| 4 | 32128-32 | 2 | Nut-HHF |
| 5 | 104-2488 | 2 | Foam-Switch, Seat |
| 6 | 107-4873 | 1 | Bracket-Pivot |
| 7 | 110-8625 | 1 | Muffler |
| 8 | 110-8623-03 | 1 | Shield-Muffler |
| 9 | 322-7 | 4 | Screw-HH |
| 10 | 106-7022 | 1 | Tube-Drain, Oil |
| 11 | 92-6877 | 1 | Valve-Drain, Oil |
| 12 | 105-3472 | 1 | Pulley-Engine |
| 13 | 98-5023 | 1 | Bumper |
| 14 | 104-3334 | 1 | Clutch-Electric |
| 15 | 112843 | 1 | Washer |
| 16 | 3212-16 | 1 | Screw-HH |

| Ref. | Part Number | Qty. | Description |
|------|-------------|------|--------------------|
| 17 | 106-2156 | 1 | Plate-Mount, Idler |
| 18 | 32128-25 | 4 | Nut-HF |
| 19 | 3296-29 | 2 | Nut-Lock, NI |
| 20 | 322-4 | 2 | Screw-HH |
| 21 | 46-8560 | 4 | Screw-HHFTF |
| 22 | 237-124 | 1 | Grommet |
| 23 | 609830 | 2 | Spring |
| 24 | 108-2315-03 | 1 | Plate-Support |
| 25 | 110-1876 | 1 | Hose-Fuel |
| 26 | 2412-98 | 2 | Clamp-Hose |
| 27 | 105-3464 | 1 | Gas Tank ASM |
| 27:2 | 46-6560 | 1 | Bushing |
| 27:3 | 110-6565 | 1 | Valve-Fuel |
| 28 | 108-2314-03 | 1 | Plate-Tank |
| 29 | 110-6548 | 1 | Decal |
| 31 | 112-4776 | 1 | Foil-Shield, Heat |

● Not serviced separately

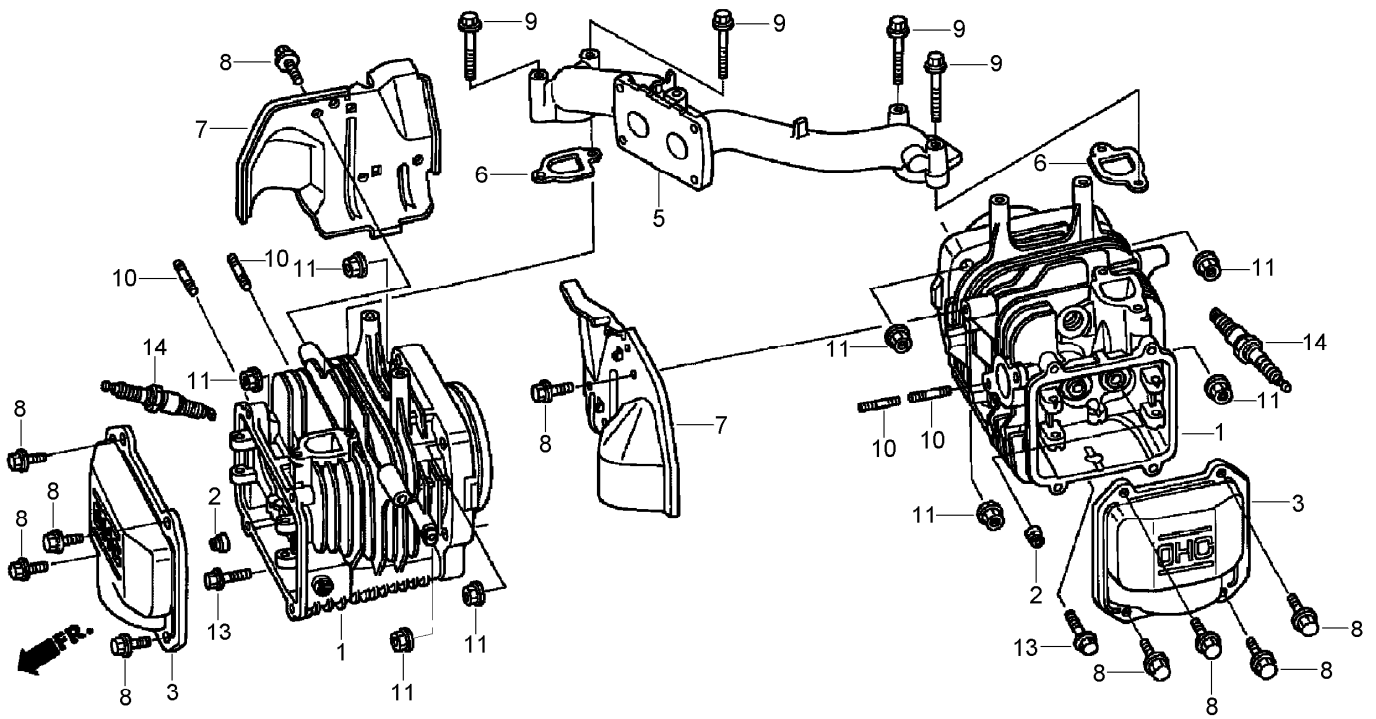
■ Obtain parts from www.honda-engines.com



Electrical Assembly

| <i>Ref.</i> | <i>Part Number</i> | <i>Qty.</i> | <i>Description</i> |
|-------------|--------------------|-------------|--------------------------|
| 1 | 104-2493 | 1 | Battery |
| 2 | 88-9830 | 1 | Key Switch ASM |
| 2:1 | 3254-5 | 1 | Washer-Lock |
| 2:2 | 218-461 | 1 | Nut-HH |
| 3 | 63-8360 | 1 | Key-Ignition |
| 4 | 95-7489 | 1 | Switch-PTO |
| 6 | 106-2216 | 2 | Switch |
| 7 | 82-2190 | 2 | Switch-Bail |
| 10 | 93-3190 | 1 | Boot-Insulator, Terminal |
| 11 | 95-7654 | 1 | Cable-Negative, Black |
| 12 | 104-2466 | 1 | Holddown-Battery |
| 13 | 99-7420 | 1 | Plug-Hole |
| 15 | 3256-22 | 2 | Washer-Flat |

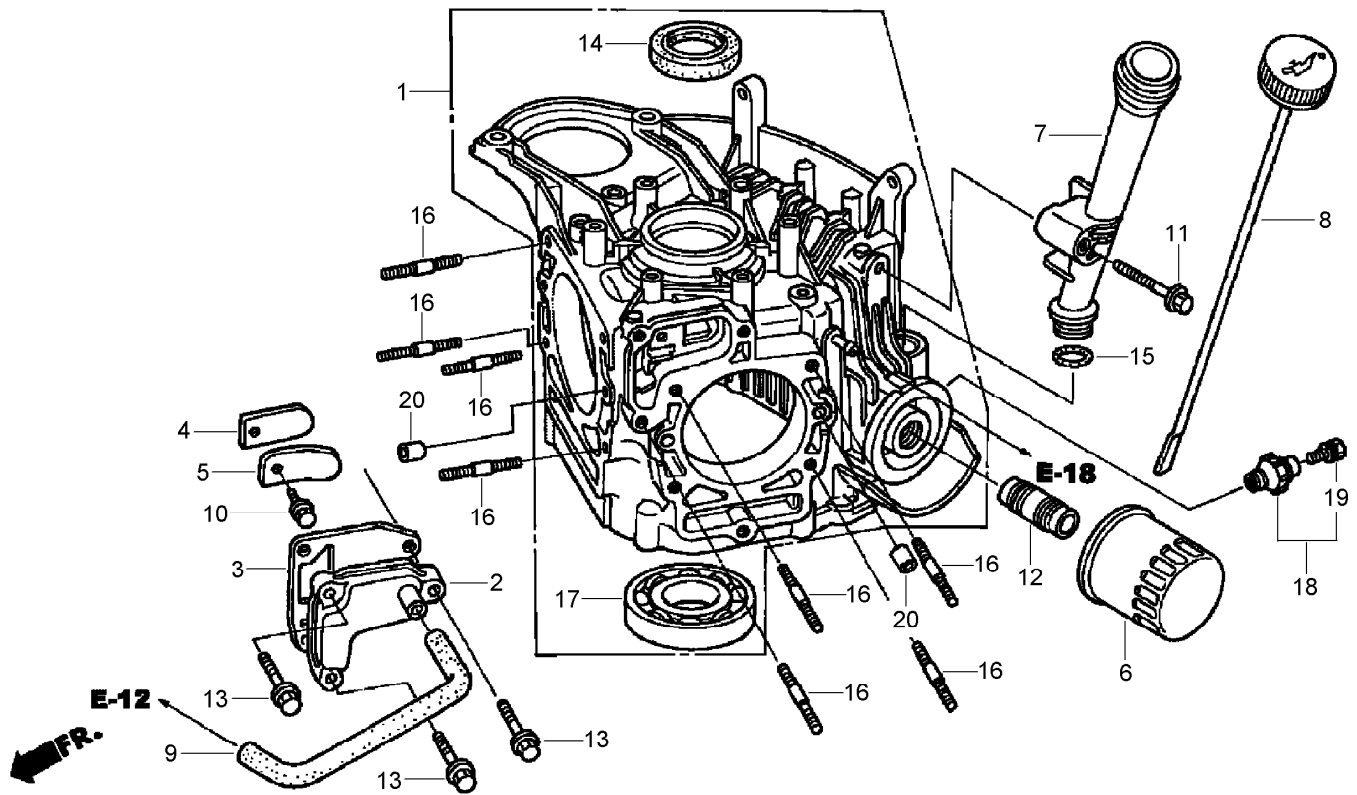
| <i>Ref.</i> | <i>Part Number</i> | <i>Qty.</i> | <i>Description</i> |
|-------------|--------------------|-------------|-----------------------|
| 16 | 32144-1 | 11 | Screw-Taptite |
| 17 | 321-4 | 2 | Screw-HH |
| 18 | 32128-33 | 2 | Nut-HF |
| 19 | 98-7249 | 3 | Relay |
| 20 | 614249 | 2 | Tie-Cable |
| 21 | 112-7559 | 1 | Harness-Wire |
| 22 | 92-6989 | 1 | Wire-21 Inch |
| 23 | 103-0205 | 1 | Alarm-Tone, Dual |
| 24 | 112-9890 | 1 | Bag Sensor ASM |
| 25 | 110-8018 | 1 | Bag Sensor ASM |
| 27 | 110-8589 | 2 | Bushing-Harness, Wire |
| 29 | 105-1853 | 1 | Clamp-Hose |



Cylinder Assembly Honda GXV530 EXA2

| Ref. | Part Number | Qty. | Description |
|------|----------------|------|-----------------------------------|
| 1 | 12100-Z0A-406 | 2 | Cylinder ● |
| 2 | 12209-422-005 | 2 | Seal-Stem, Valve ● |
| 3 | 12311-Z0A-000 | 2 | Cover-Head ● |
| 5 | 17101-Z0A-000 | 1 | Manifold-Intake ● |
| 6 | 17151-Z0A-000 | 2 | Gasket-Manifold, Intake ● |
| 7 | 19631-Z0A-000 | 2 | Shroud ● |
| 8 | 90013-883-000 | 10 | Bolt-Flange (6X12) (C T200) ● |
| 9 | 90016-ZE8-000 | 4 | Bolt-Flange (6X45) (C T200) ● |
| 10 | 90045-892-000 | 4 | Bolt-Stud (6X28) ● |
| 11 | 90201-Z0A-000 | 8 | Nut-Flange (8Mm) ● |
| 13 | 95701-06030-00 | 2 | Bolt-Flange (6X30) ● |
| 14 | 98079-54846 | 2 | Spark Plug (B P R4E S) (N G K) ● |
| 14 | 98079-54855 | 2 | Spark Plug (W14E P R-U) (Denso) ● |
| 14 | 98079-55846 | 2 | Spark Plug (B P R 5E S) (N G K) ● |
| 14 | 98079-55855 | 2 | Spark Plug (W16E P R-U) (Denso) ● |

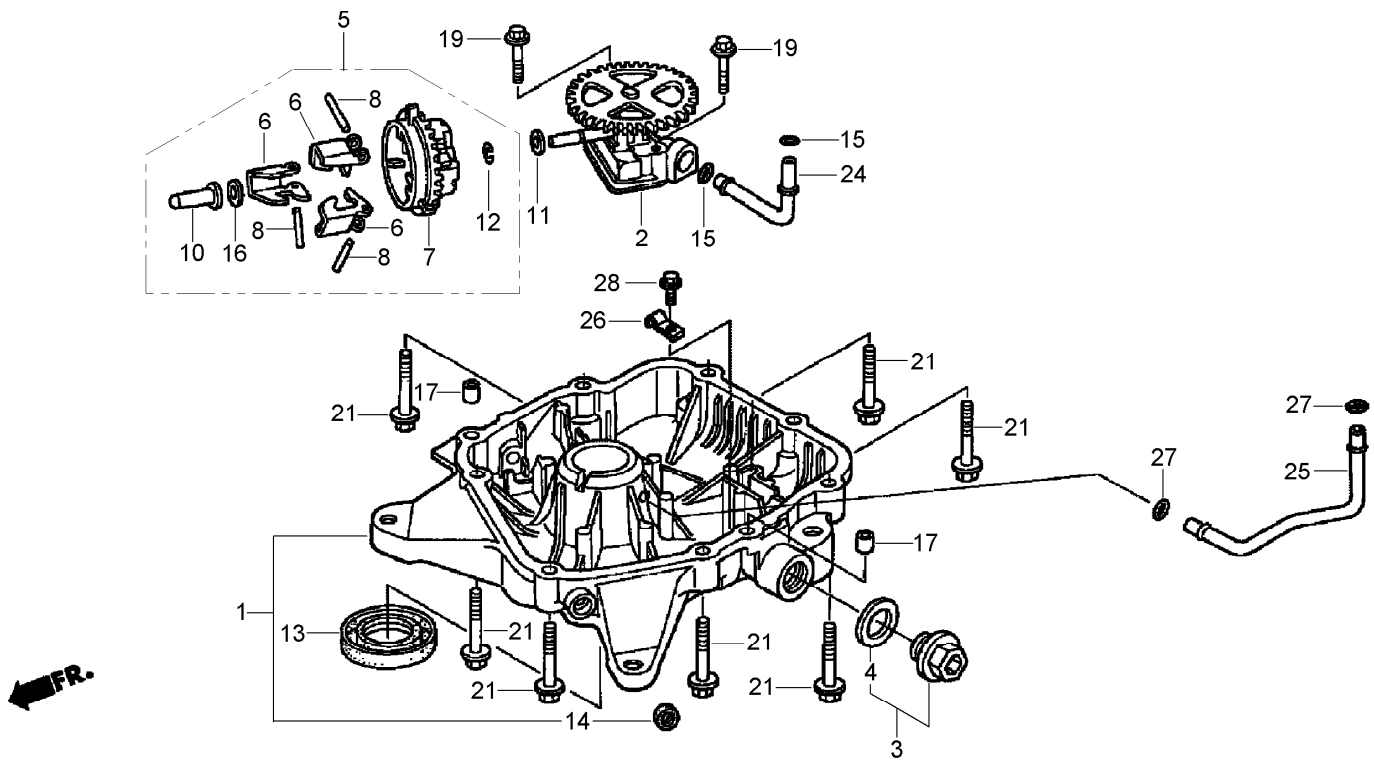
● Obtain parts from www.honda-engines.com



Crankcase Assembly Honda GXV530 EXA2

| Ref. | Part Number | Qty. | Description |
|------|----------------|------|--------------------------------|
| 1 | 11100-Z0A-409 | 1 | Crankcase ASM (840) ● |
| 2 | 12356-Z0A-000 | 1 | Cover-Breather ● |
| 3 | 12358-Z0A-000 | 1 | Gasket-Cover, Breather ● |
| 4 | 12372-ZA0-701 | 1 | Plate-Valve ● |
| 5 | 12374-Z0A-000 | 1 | Stopper-Valve ● |
| 6 | 15410-MCJ-000 | 1 | Filter-Oil (Toyo Roki) ● |
| 7 | 15631-Z0A-000 | 1 | Extension-Filler, Oil ● |
| 8 | 15655-Z0A-800 | 1 | Dipstick-Oil ● |
| 9 | 15721-Z0A-000 | 1 | Tube-Breather ● |
| 10 | 90002-892-000 | 1 | Bolt-Flange (5X10) ● |
| 11 | 90016-ZE8-000 | 1 | Bolt-Flange (6X45) (C T200) ● |
| 12 | 90018-PN3-000 | 1 | Holder-Filter, Oil ● |
| 13 | 90121-952-000 | 3 | Bolt-Flange (6X25) (C T 200) ● |
| 14 | 91201-ZE3-004 | 1 | Seal-Oil (35X5X8) ● |
| 15 | 91301-ZE9-003 | 1 | O-Ring (22.5X2.2) ● |
| 16 | 92900-08028-0E | 8 | Bolt-Stud (8X28) ● |
| 17 | 96100-62070-00 | 1 | Bearing-Ball, Radial ● |
| 18 | 35490-Z0A-003 | 1 | Oil Pressure Switch ASM ● |
| 19 | 90002-PA6-003 | 1 | Bolt-Washer (4X8) (Denso) ● |
| 20 | 94301-08140 | 4 | Pin-Dowel (8X14) ● |

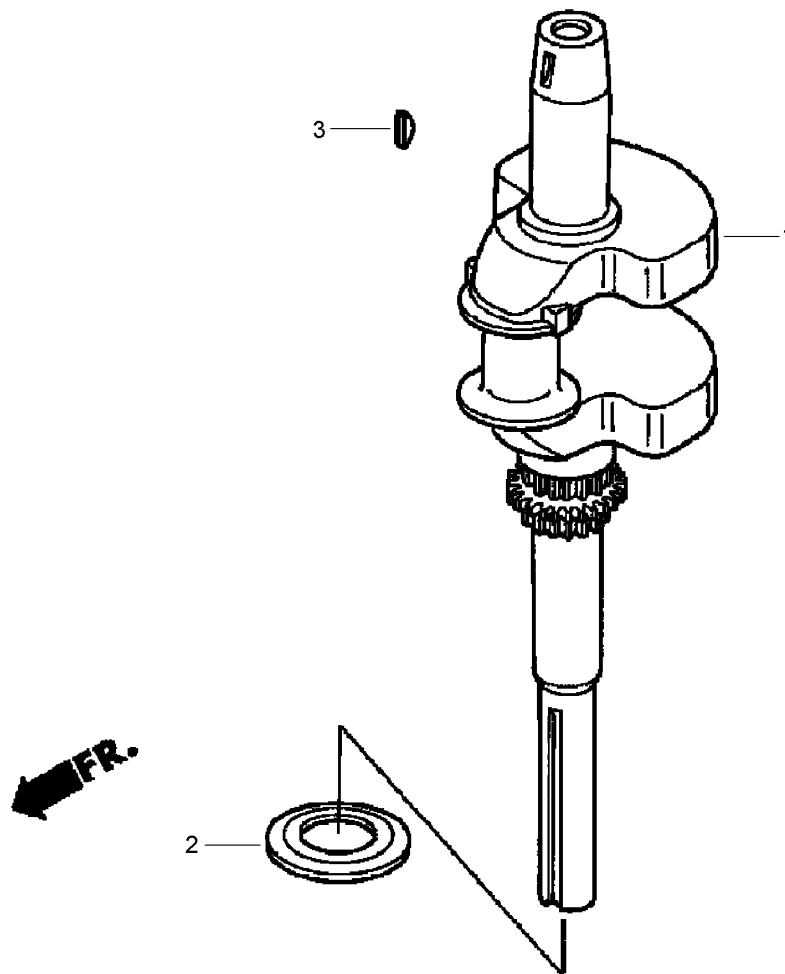
● Obtain parts from www.honda-engines.com



Oil Pan Assembly Honda GXV530 EXA2

| Ref. | Part Number | Qty. | Description |
|------|----------------|------|---------------------------|
| 1 | 11300-Z0A-830 | 1 | Oil Pan ASM ● |
| 2 | 15100-Z0A-811 | 1 | Oil Pump ASM ● |
| 3 | 15550-Z0A-810 | 1 | Drain Cap ASM ● |
| 4 | 15625-ZE1-003 | 1 | Gasket-Cap, Oil Filler ● |
| 5 | 16510-Z0A-000 | 1 | Governor ASM ● |
| 6 | 16511-Z0A-000 | 3 | Weight-Governor ● |
| 7 | 16512-Z0A-000 | 1 | Holder-Weight, Governor ● |
| 8 | 16513-ZE2-000 | 3 | Pin-Weight, Governor ● |
| 10 | 16531-Z0A-000 | 1 | Slider-Governor ● |
| 11 | 90473-147-000 | 1 | Washer (6X16) ● |
| 12 | 90602-ZE1-000 | 1 | Clip-Holder, Governor ● |
| 13 | 91202-Z0A-003 | 1 | Seal-Oil (31X50X8) ● |
| 14 | 91259-VM0-000 | 1 | Seal-Oil (10X16X4.5) ● |
| 15 | 91301-Z0A-003 | 2 | O-Ring (7.5X2.3) ● |
| 16 | 94101-06800 | 1 | Washer-Plain (6Mm) ● |
| 17 | 94301-08140 | 2 | Pin-Dowel (8X14) ● |
| 19 | 95701-06035-00 | 1 | Bolt-Flange (6X35) ● |
| 21 | 95701-08040-00 | 7 | Bolt-Flange (8X40) ● |
| 24 | 15161-Z0A-000 | 1 | Pipe-Pump, Oil ● |
| 25 | 15162-Z0A-800 | 1 | Pipe-Supply, Oil ● |
| 26 | 15163-Z0A-000 | 1 | Holder-Pipe, Oil ● |
| 27 | 91302-Z0A-003 | 2 | O-Ring (5.8X2) ● |
| 28 | 95701-06012-00 | 1 | Bolt-Flange (6X12) ● |

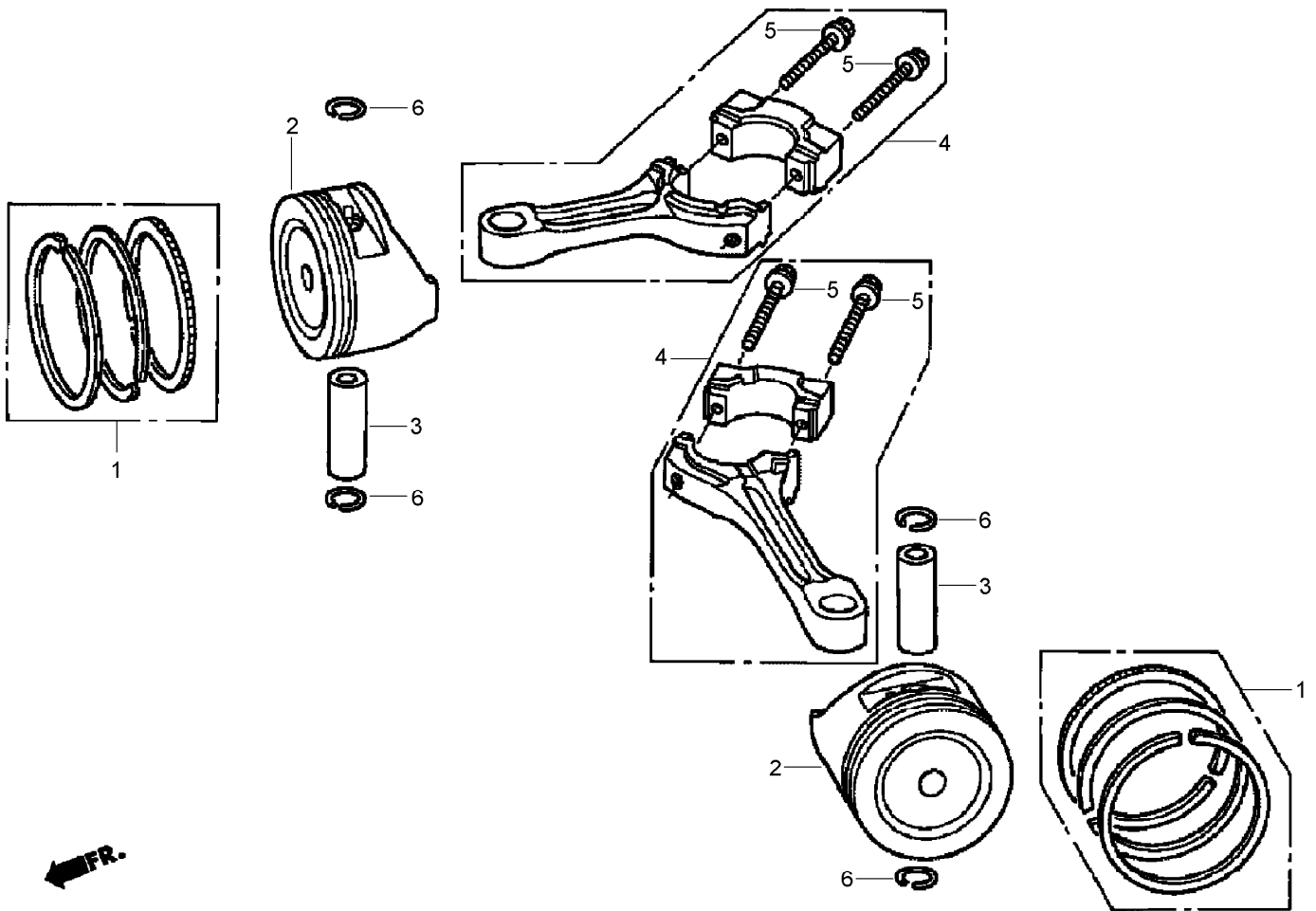
● Obtain parts from www.honda-engines.com



Crankshaft Assembly Honda GXV530 EXA2

| <i>Ref.</i> | <i>Part Number</i> | <i>Qty.</i> | <i>Description</i> |
|-------------|--------------------|-------------|---------------------------------|
| 1 | 13310-Z0A-800 | 1 | Crankshaft ● |
| 2 | 90401-Z0A-000 | 1 | Washer-Thrust ● |
| 3 | 90741-ZE2-000 | 1 | Key-Woodruff, Special (25X18) ● |

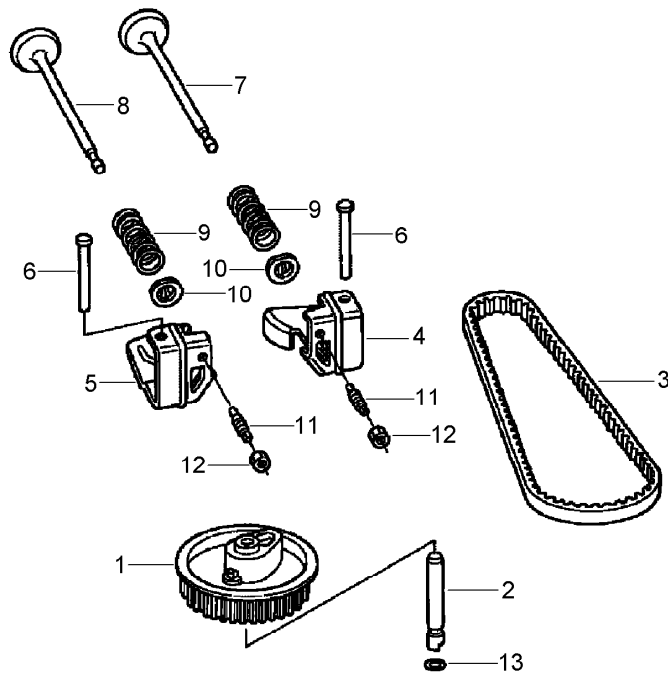
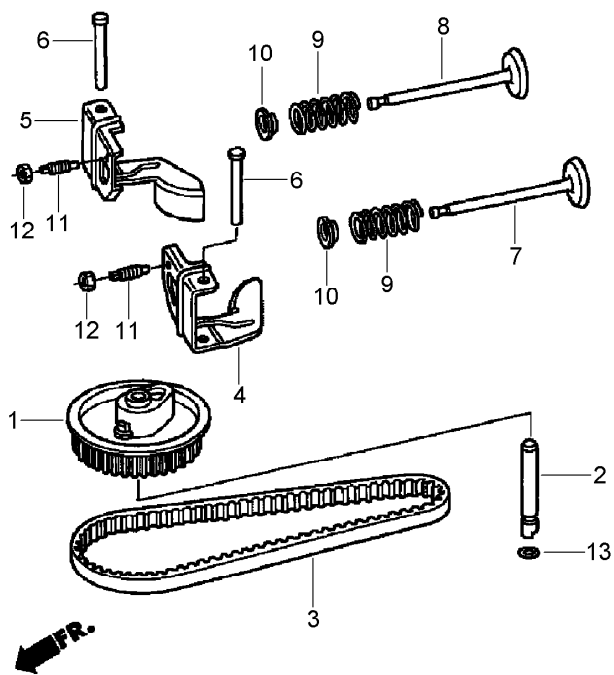
● Obtain parts from www.honda-engines.com



Piston and Connecting Rod Assembly Honda GXV530 EXA2

| Ref. | Part Number | Qty. | Description |
|------|---------------|------|----------------------------------|
| 1 | 13010-Z0A-003 | 2 | Piston Ring Set (STD) (Nippon) ● |
| 1 | 13010-Z0A-014 | 2 | Piston Ring Set ● |
| 2 | 13101-Z0A-800 | 2 | Piston (STD) ● |
| 3 | 13111-ZJ1-840 | 2 | Pin-Piston ● |
| 4 | 13200-Z0A-801 | 2 | Connecting Rod ASM ● |
| 5 | 90001-ZN1-000 | 4 | Bolt-Rod, Connecting (6X37) ● |
| 6 | 90551-ZE1-000 | 4 | Clip-Pin, Piston (18 Mm) ● |

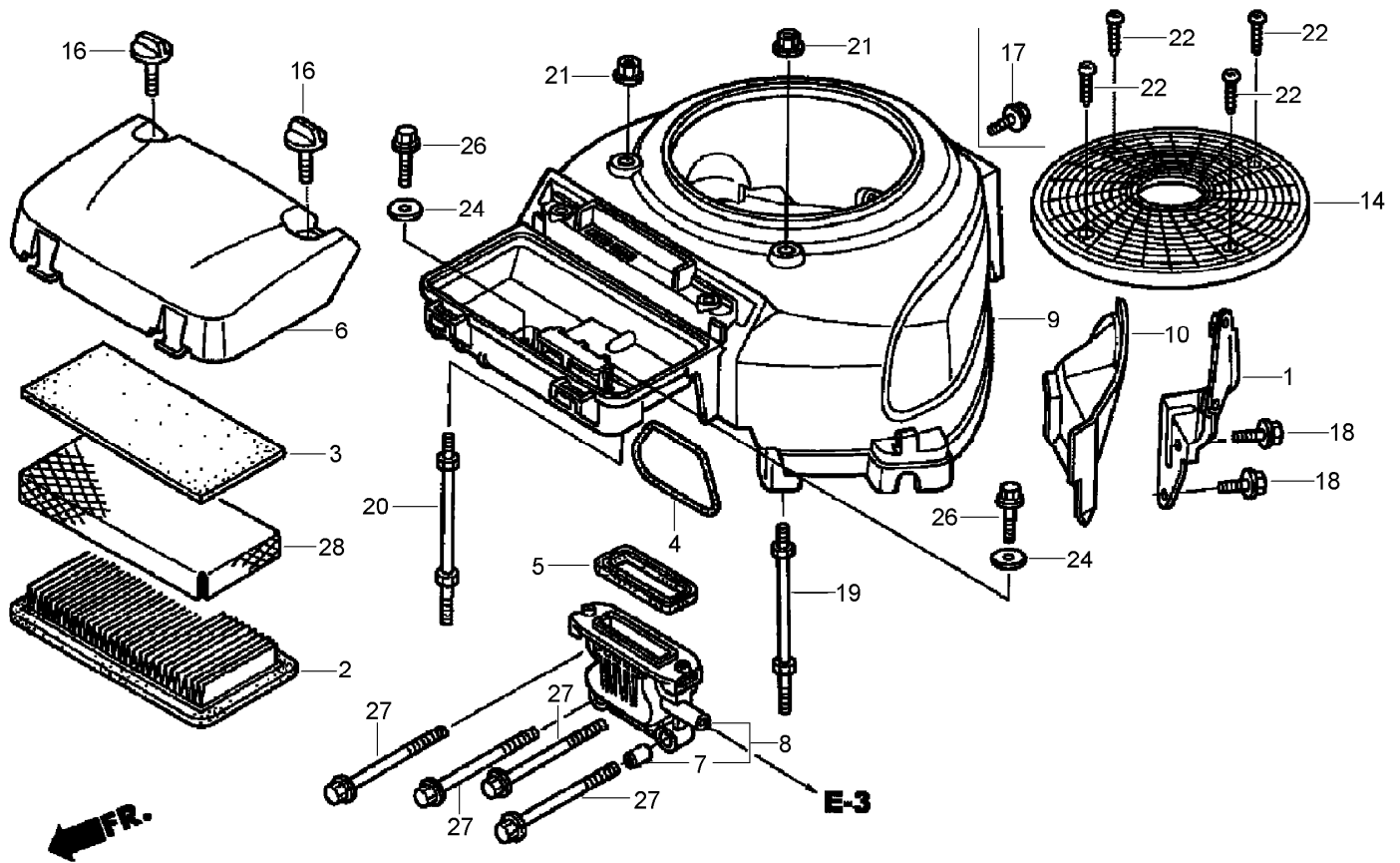
● Obtain parts from www.honda-engines.com



Camshaft Assembly Honda GXV530 EXA2

| Ref. | Part Number | Qty. | Description |
|------|---------------|------|-----------------------------------|
| 1 | 14320-Z0A-000 | 2 | Pulley-Camshaft ● |
| 2 | 14324-ZL8-000 | 2 | Shaft-Pulley, Cam ● |
| 3 | 14400-Z0A-003 | 2 | Belt-Timing (97Hu8 G-200) ● |
| 4 | 14431-Z0A-000 | 2 | Arm-Valve Rocker, Intake ● |
| 5 | 14441-Z0A-000 | 2 | Arm-Valve Rocker, Exhaust ● |
| 6 | 14461-Z0A-000 | 4 | Shaft-Arm, Rocker ● |
| 7 | 14711-Z0A-000 | 2 | Valve-Intake ● |
| 8 | 14721-Z0A-000 | 2 | Valve-Exhaust ● |
| 9 | 14751-ZE1-000 | 4 | Spring-Valve ● |
| 10 | 14771-ZE1-000 | 4 | Retainer-Spring, Valve (Intake) ● |
| 11 | 90012-333-000 | 4 | Screw-Adjusting, Tappet ● |
| 12 | 90206-001-000 | 4 | Nut-Adjusting, Tappet ● |
| 13 | 91301-ZM0-V31 | 2 | O-Ring (6.8X19) (Arai) ● |

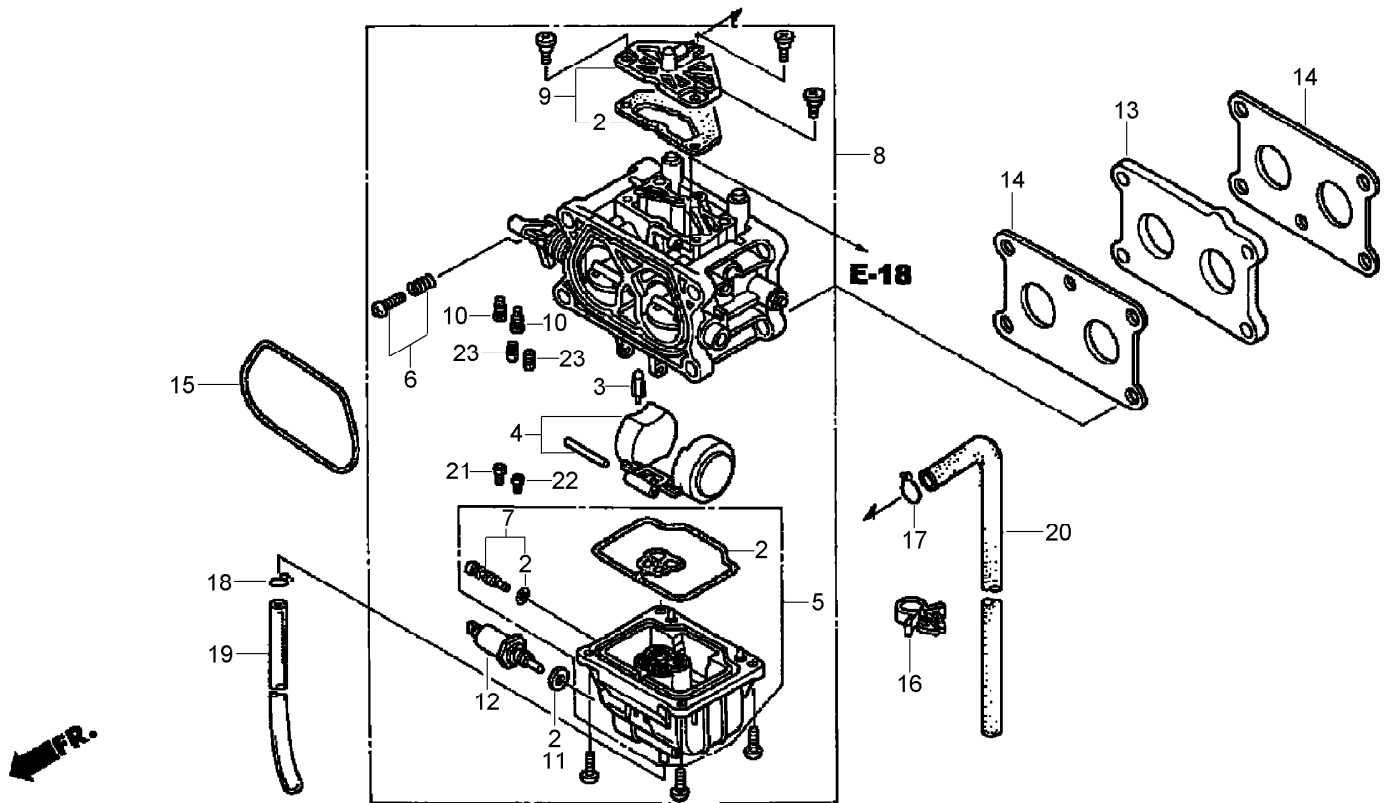
● Obtain parts from www.honda-engines.com



Fan Cover Assembly Honda GXV530 EXA2

| Ref. | Part Number | Qty. | Description |
|------|-----------------|------|------------------------------------|
| 1 | 16711-Z0A-000 | 1 | Stay-Pump, Fuel ● |
| 2 | 17211-Z0A-013 | 1 | Element-Cleaner, Air ● |
| 3 | 17218-Z0A-810 | 1 | Filter (Outer) ● |
| 4 | 17228-Z0A-003 | 1 | Gasket-Cleaner, Air ● |
| 5 | 17229-Z0A-000 | 1 | Seal-Housing, Air Cleaner ● |
| 6 | 17231-Z0A-000 | 1 | Cover-Cleaner, Air ● |
| 7 | 17238-ZJ4-830 | 4 | Collar A-Cleaner, Air ● |
| 8 | 17410-Z0A-010 | 1 | Elbow-Cleaner, Air ● |
| 9 | 19611-Z0A-010ZA | 1 | Cover-Fan (Nh1) (Black) ● |
| 10 | 19612-Z0A-000 | 1 | Plate-Side ● |
| 14 | 28452-Z0A-000ZA | 1 | Grid-Screen Nh105 (Matte Black) ● |
| 16 | 90004-Z0A-000 | 2 | Bolt (6Mm) ● |
| 17 | 90013-ZL8-000 | 2 | Bolt-Flange (6X14) (Ct200) ● |
| 18 | 90014-952-000 | 2 | Bolt-Flange (6X14) (C T200) ● |
| 19 | 90044-Z0A-000 | 1 | Bolt-Stud, Left (Ignition Coil) ● |
| 20 | 90045-Z0A-000 | 1 | Bolt-Stud, Right (Ignition Coil) ● |
| 21 | 90201-ZM0-000 | 2 | Nut-Flange (6Mm) ● |
| 22 | 93913-24410 | 4 | Screw-Tapping (4X16) ● |
| 22 | 93913-24780 | 4 | Screw-Tapping (4X30) (P0) ● |
| 24 | 94103-06800 | 2 | Washer-Plain (6Mm) ● |
| 26 | 95701-06012-00 | 2 | Bolt-Flange (6X12) ● |
| 27 | 95801-06100-00 | 4 | Bolt-Flange (6X100) ● |
| 28 | 17212-Z0A-000 | 1 | Grid-Cleaner, Air ● |

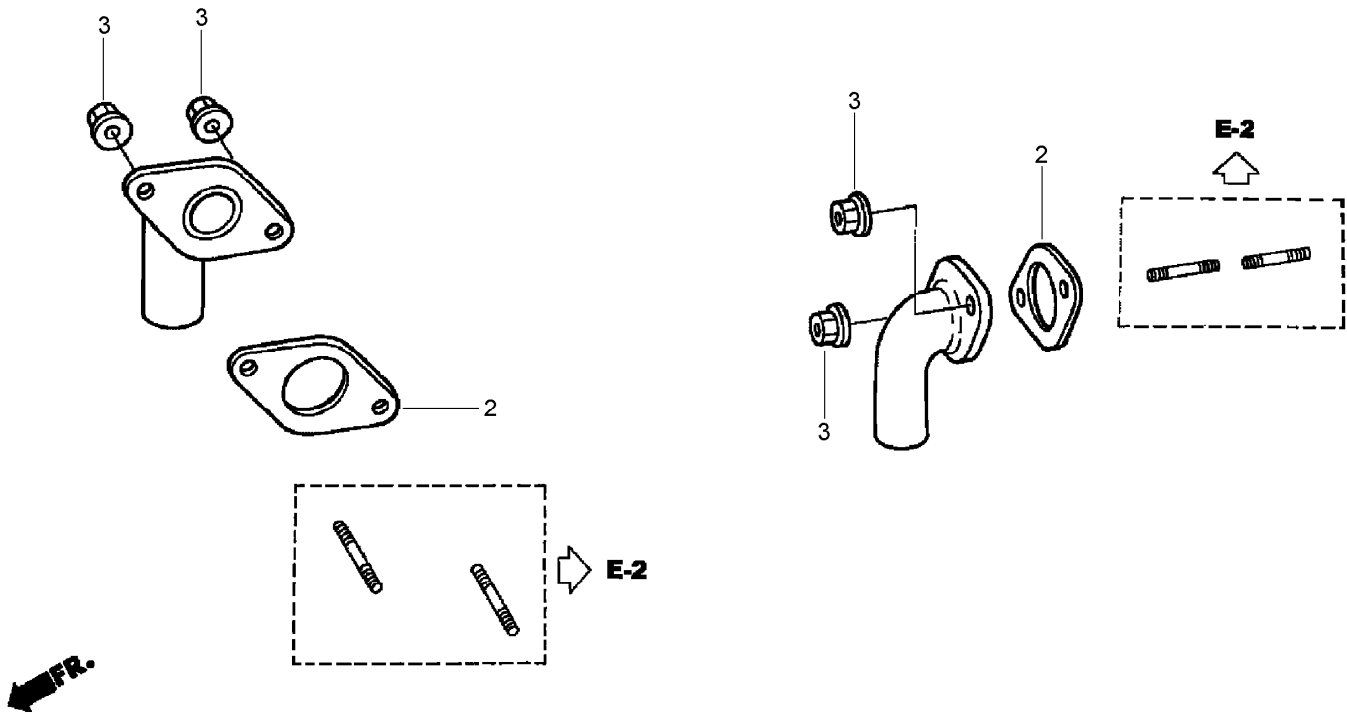
● Obtain parts from www.honda-engines.com



Carburetor Assembly Honda GXV530 EXA2

| Ref. | Part Number | Qty. | Description | Ref. | Part Number | Qty. | Description |
|------|---------------|------|---|------|-----------------|------|---|
| 2 | 16010-Z0A-802 | 1 | Gasket Set ● | 14 | 16212-Z0A-000 | 2 | Gasket-Insulator ● |
| 3 | 16011-Z0A-004 | 1 | Valve-Float ● | 15 | 17228-Z0A-003 | 1 | Gasket-Cleaner, Air ● |
| 4 | 16013-Z0A-004 | 1 | Float Set ● | 16 | 90659-680-013 | 1 | Clip-Harness, Wire ● |
| 5 | 16015-Z0A-802 | 1 | Float Chamber Set ● | 17 | 95002-02080 | 1 | Clip-Tube (B8) ● |
| 6 | 16016-Z0A-004 | 1 | Screw-Set ● | 18 | 95002-02650 | 1 | Clip-Tube (B6.5) ● |
| 7 | 16024-Z0A-004 | 1 | Screw-Set, Drain ● | 19 | 95003-07008-60M | 1 | Hose-Bulk, Vinyl (4X7X8000) (4X7X300) ● |
| 8 | 16100-Z0A-813 | 1 | Carburetor ASM (Up To Engine Serial No. 1014986) ● | 19 | 95003-07008-60M | 1 | Hose-Bulk, Vinyl (4X7X8000) (4X7X300) ● |
| 8 | 16100-Z0A-814 | 1 | Carburetor ASM (Bw02B C) (Up To Engine Serial No. 1027210) ● | 20 | 95005-45001-20M | 1 | Hose-Bulk, Vacuum (45X1000) (45X400) ● |
| 8 | 16100-Z0A-815 | 1 | Carburetor ASM (Bw02B C) (From Engine Serial No.1027211 To 1061017) ● | 20 | 95005-45001-20M | 1 | Hose-Bulk, Vacuum (45X1000) (45X400) ● |
| 8 | 16100-Z0P-V02 | 1 | Carburetor ASM (Bw02C A) (From Engine Serial No. 1061018) ● | 21 | 99131-Z0A-0820 | 1 | Jet-Main (No. 82.5) ● |
| 9 | 16139-Z0A-004 | 1 | Air Vent Cover Set ● | 21 | 99131-Z0A-0850 | 1 | Jet-Main (No. 85) ● |
| 10 | 16168-Z0A-004 | 2 | Cap ● | 21 | 99131-Z0A-0870 | 1 | Jet-Main (No. 87.5) ● |
| 11 | 16178-Z0A-802 | 1 | Gasket ● | 22 | 99131-Z0A-0850 | 1 | Jet-Main (No. 85) ● |
| 12 | 16200-Z0A-802 | 1 | Solenoid Valve ASM ● | 22 | 99131-Z0A-0870 | 1 | Jet-Main (No. 87.5) ● |
| 13 | 16211-Z0A-000 | 1 | Insulator-Carburetor ● | 22 | 99131-Z0A-0900 | 1 | Jet-Main (No. 90) ● |
| | | | | 23 | 99133-Z0A-0370 | 2 | Jet-Pilot (No. 37.5) ● |
| | | | | 23 | 99134-Z0A-0370 | 2 | Jet-Pilot (No. 37.5) ● |

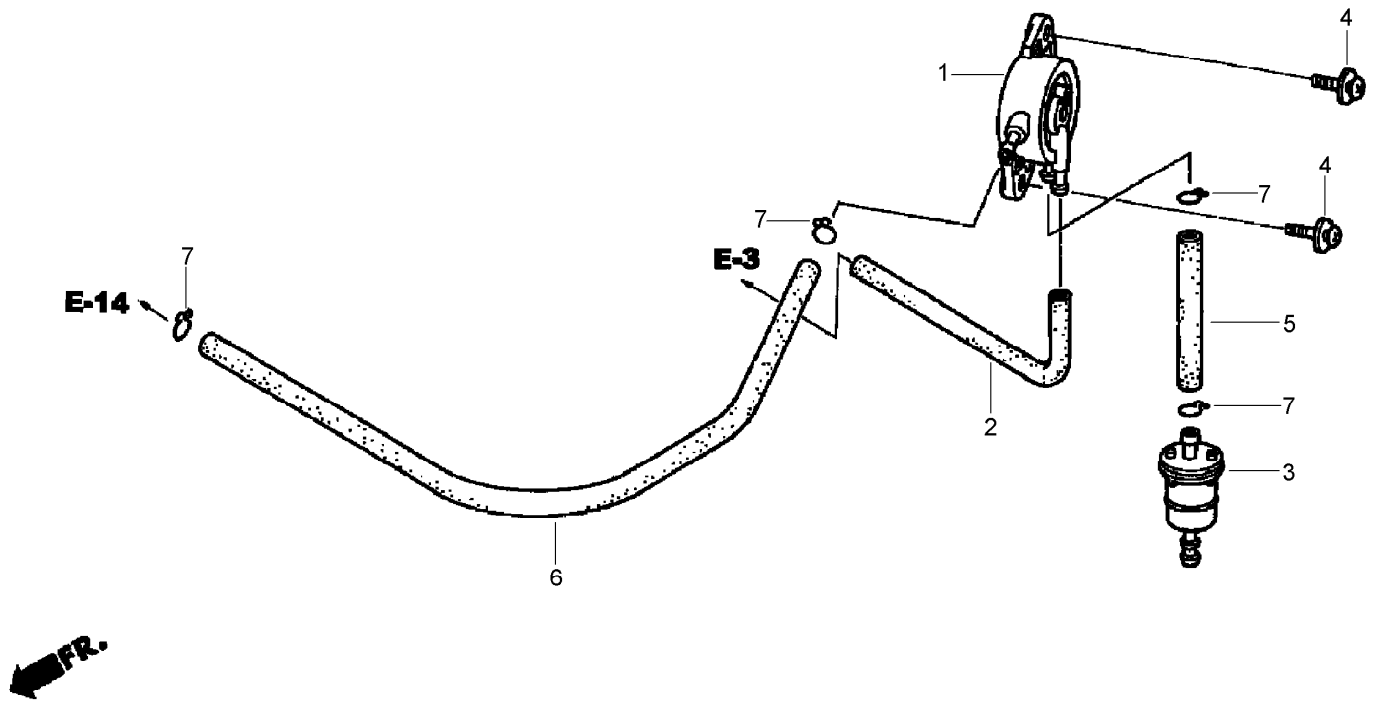
● Obtain parts from www.honda-engines.com



Exhaust Pipe Assembly Honda GXV530 EXA2

| Ref. | Part Number | Qty. | Description |
|------|---------------|------|------------------------|
| 2 | 18333-Z0A-000 | 2 | Gasket-Pipe, Exhaust ● |
| 3 | 94050-06000 | 4 | Nut-Flange (6 Mm) ● |

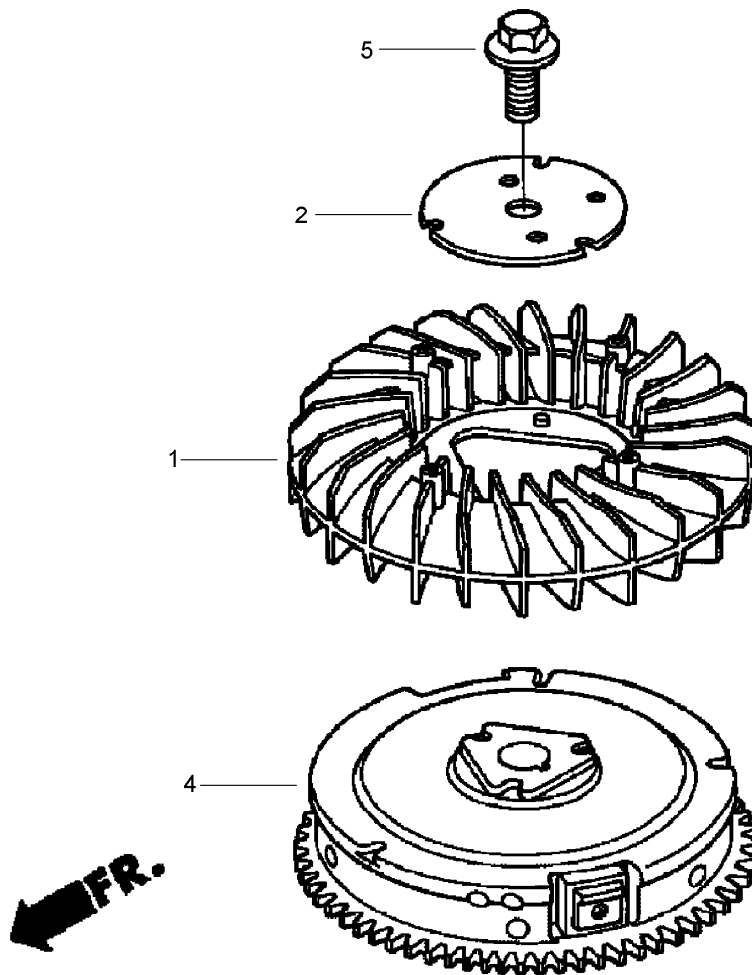
● Obtain parts from www.honda-engines.com



Fuel Pump Assembly Honda GXV530 EXA2

| Ref. | Part Number | Qty. | Description |
|------|-----------------|------|----------------------------------|
| 1 | 16700-ZL8-013 | 1 | Fuel Pump ASM ● |
| 2 | 16882-Z0A-000 | 1 | Tube-Diaphragm ● |
| 3 | 16910-ZV4-015 | 1 | Filter-Fuel ● |
| 4 | 93894-05016-00 | 2 | Screw-Washer (5X16) ● |
| 5 | 95001-55008-60M | 1 | Fuel-Hose (5.5X8000) (5.5X100) ● |
| 6 | 95001-55008-60M | 1 | Fuel-Hose (5.5X8000) (5.5X100) ● |
| 7 | 95002-02100 | 4 | Clip-Tube (B10) ● |

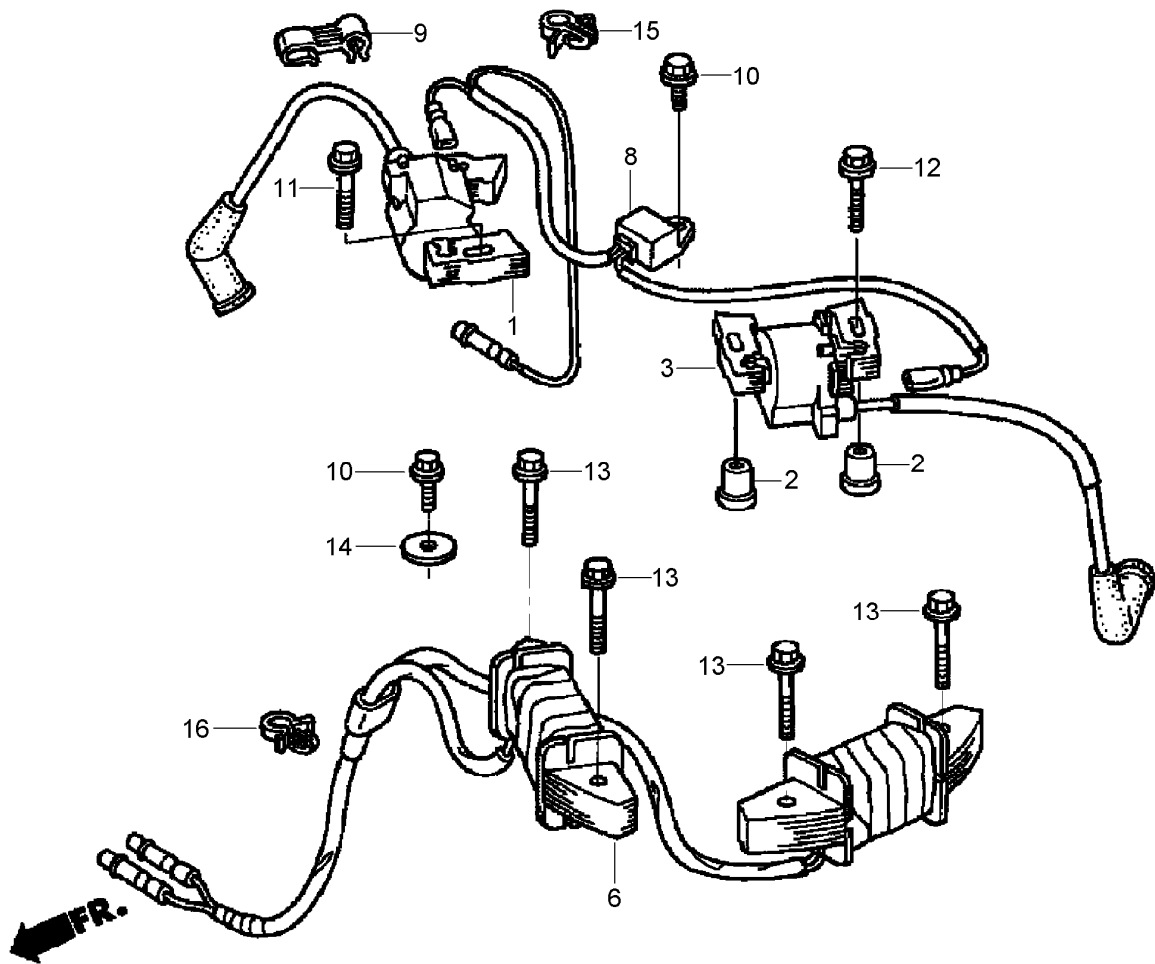
● Obtain parts from www.honda-engines.com



Flywheel Assembly Honda GXV530 EXA2

| <i>Ref.</i> | <i>Part Number</i> | <i>Qty.</i> | <i>Description</i> |
|-------------|--------------------|-------------|------------------------------|
| 1 | 19511-Z0A-000 | 1 | Fan-Cooling ● |
| 2 | 19513-Z0A-000 | 1 | Plate-Setting, Cooling Fan ● |
| 4 | 31110-Z0A-800 | 1 | Flywheel (6P) ● |
| 5 | 90011-Z0A-000 | 1 | Bolt-Flange (16X35) ● |

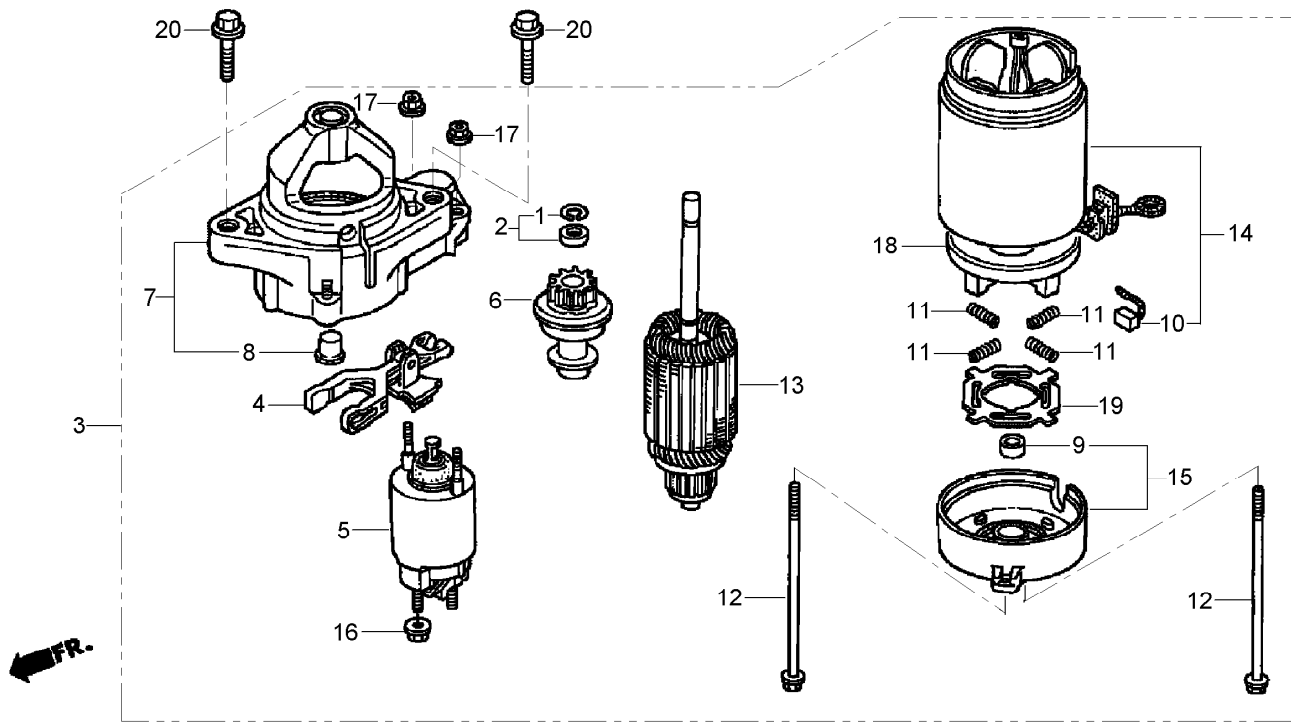
● Obtain parts from www.honda-engines.com



Ignition Coil Assembly Honda GXV530 EXA2

| Ref. | Part Number | Qty. | Description |
|------|----------------|------|------------------------------------|
| 1 | 30500-Z0A-013 | 1 | Ignition Coil ASM (No. 1) ● |
| 2 | 30509-Z0A-000 | 2 | Collar-Coil, Ignition ● |
| 3 | 30550-Z0A-013 | 1 | Ignition Coil ASM (No. 2) ● |
| 6 | 31630-Z0A-811 | 1 | Charge Coil ASM (12V-12A) ● |
| 8 | 31740-Z0A-003 | 1 | Engine Stop Diode ASM ● |
| 9 | 32768-PJ7-000 | 1 | Clamp-Wire, Center ● |
| 10 | 90013-883-000 | 2 | Bolt-Flange (6X12) (C T200) ● |
| 11 | 95701-06028-00 | 1 | Bolt-Flange (6X28) ● |
| 12 | 90016-ZE8-000 | 1 | Bolt-Flange (6X45) (C T200) ● |
| 13 | 95701-06032-00 | 4 | Bolt-Flange (6X32) ● |
| 14 | 90136-428-870 | 1 | Washer-Setting, Tank ● |
| 15 | 90654-SA4-003 | 1 | Clip-Harness, Wire (6Mm) (White) ● |
| 16 | 90659-PG6-000 | 1 | Clip-Harness, Wire ● |

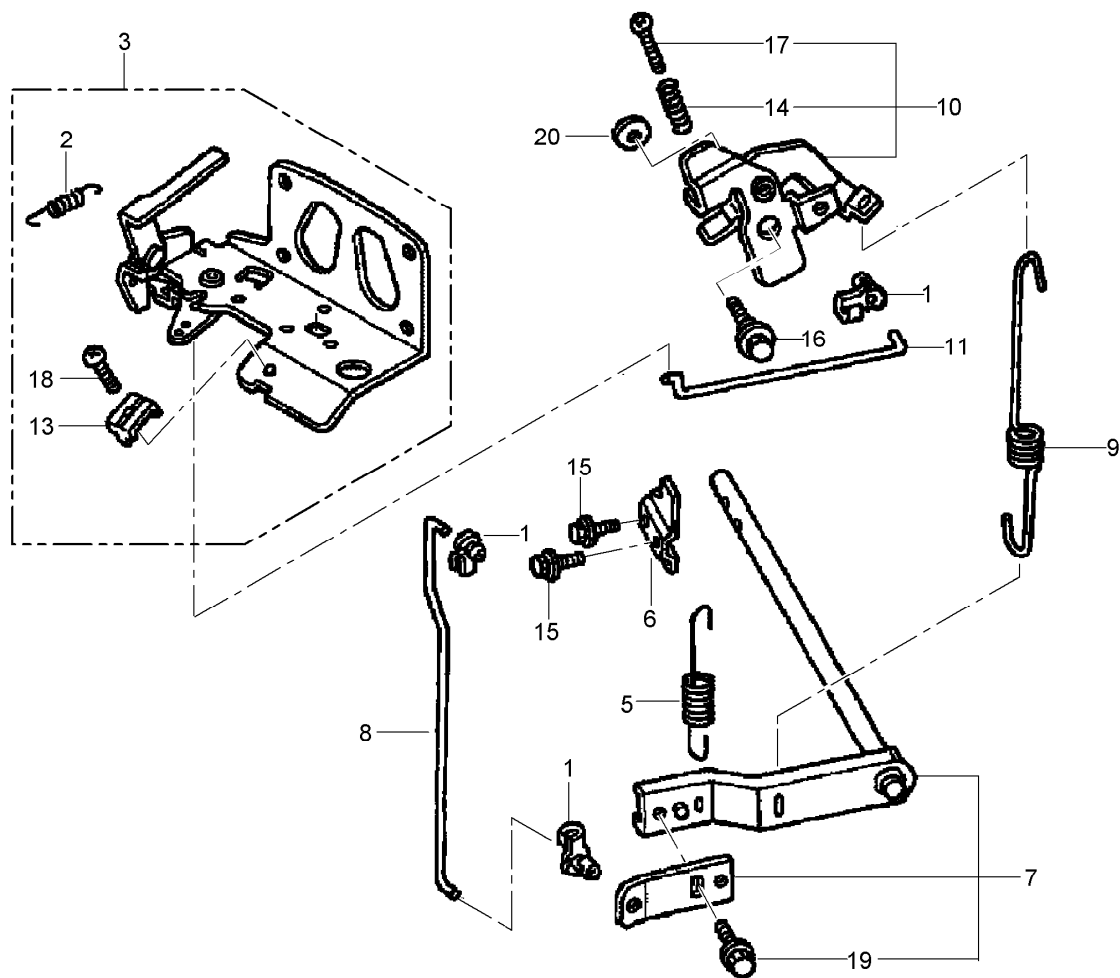
● Obtain parts from www.honda-engines.com



Starter Motor Assembly Honda GXV530 EXA2

| Ref. | Part Number | Qty. | Description |
|------|----------------|------|---------------------------|
| 1 | 30201-PH9-004 | 1 | Ring-Snap (Denso) ● |
| 2 | 30202-PZ1-003 | 1 | Clutch Stop Collar Set ● |
| 3 | 31200-Z0A-003 | 1 | Starter Motor ASM ● |
| 4 | 31203-PH9-004 | 1 | Lever-Drive, Pinion ● |
| 5 | 31204-ZG4-801 | 1 | Magnetic Switch ASM ● |
| 6 | 31207-Z0A-003 | 1 | Clutch-Overrunning ● |
| 7 | 31208-Z0A-003 | 1 | Housing-Drive Side ● |
| 8 | 31209-PH9-004 | 1 | Bearing (A) ● |
| 9 | 31210-PH9-004 | 1 | Bearing (B) ● |
| 10 | 31211-PH9-004 | 4 | Brush ● |
| 11 | 31212-PH9-004 | 4 | Spring-Brush ● |
| 12 | 31214-PH9-004 | 2 | Bolt-Through ● |
| 13 | 31217-Z0A-003 | 1 | Armature ● |
| 14 | 31218-P64-N01 | 1 | Yoke ● |
| 15 | 31219-Z0A-003 | 1 | Frame-End, Commutator ● |
| 16 | 31220-PH9-004 | 1 | Nut-Hex (8Mm) ● |
| 17 | 31223-PA0-006 | 2 | Nut-Flange (5Mm) ● |
| 18 | 31231-PH9-004 | 1 | Holder-Brush ● |
| 19 | 31233-PH9-004 | 1 | Insulator-Holder, Brush ● |
| 20 | 95701-10040-00 | 2 | Bolt-Flange (10X40) ● |

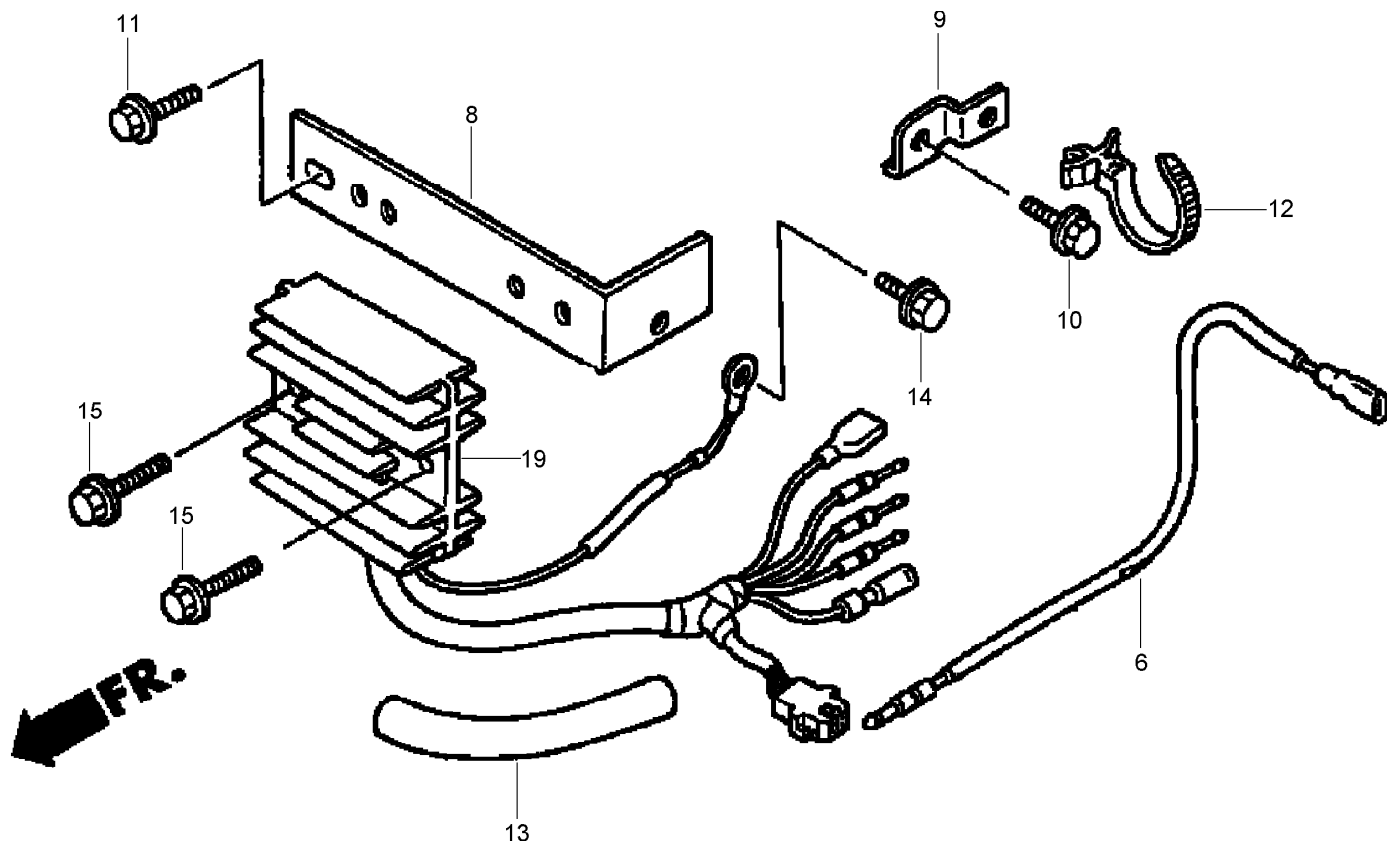
● Obtain parts from www.honda-engines.com



Control Assembly Honda GXV530 EXA2

| Ref. | Part Number | Qty. | Description |
|------|----------------|------|--|
| 1 | 16263-ZJ7-871 | 3 | Rod-Joint ● |
| 2 | 16268-Z0A-300 | 1 | Spring-Return, Choke ● |
| 3 | 16500-Z0A-000 | 1 | Control ASM (1-Lever) ● |
| 5 | 16534-Z0A-000 | 1 | Spring-Starter (Up To Engine Serial No. 1038645) ● |
| 5 | 16534-Z0P-V00 | 1 | Spring-Starter (From Engine Serial No. 1038646) ● |
| 6 | 16542-Z0A-000 | 1 | Fork-Governor ● |
| 7 | 16550-Z0A-000 | 1 | Arm-Governor ● |
| 8 | 16555-Z0A-000 | 1 | Rod-Governor ● |
| 9 | 16561-Z0A-000 | 1 | Spring-Governor ● |
| 10 | 16565-Z0A-000 | 1 | Link-Governor ● |
| 11 | 16566-Z0A-000 | 1 | Rod-Link, Governor ● |
| 13 | 16576-891-000 | 2 | Holder-Cable ● |
| 14 | 16584-883-300 | 1 | Spring-Adjusting, Control ● |
| 15 | 90002-892-000 | 2 | Bolt-Flange (5X10) ● |
| 16 | 90015-Z0A-000 | 1 | Bolt-Flange (6Mm) (C T200) ● |
| 17 | 90016-ZG9-N30 | 1 | Screw-Recessed (5X25) ● |
| 18 | 90016-Z0A-V00 | 2 | Screw-Recessed (5X18) ● |
| 19 | 95701-06010-00 | 1 | Bolt-Flange (6X10) ● |
| 20 | 94101-06800 | 1 | Washer-Plain (6Mm) ● |

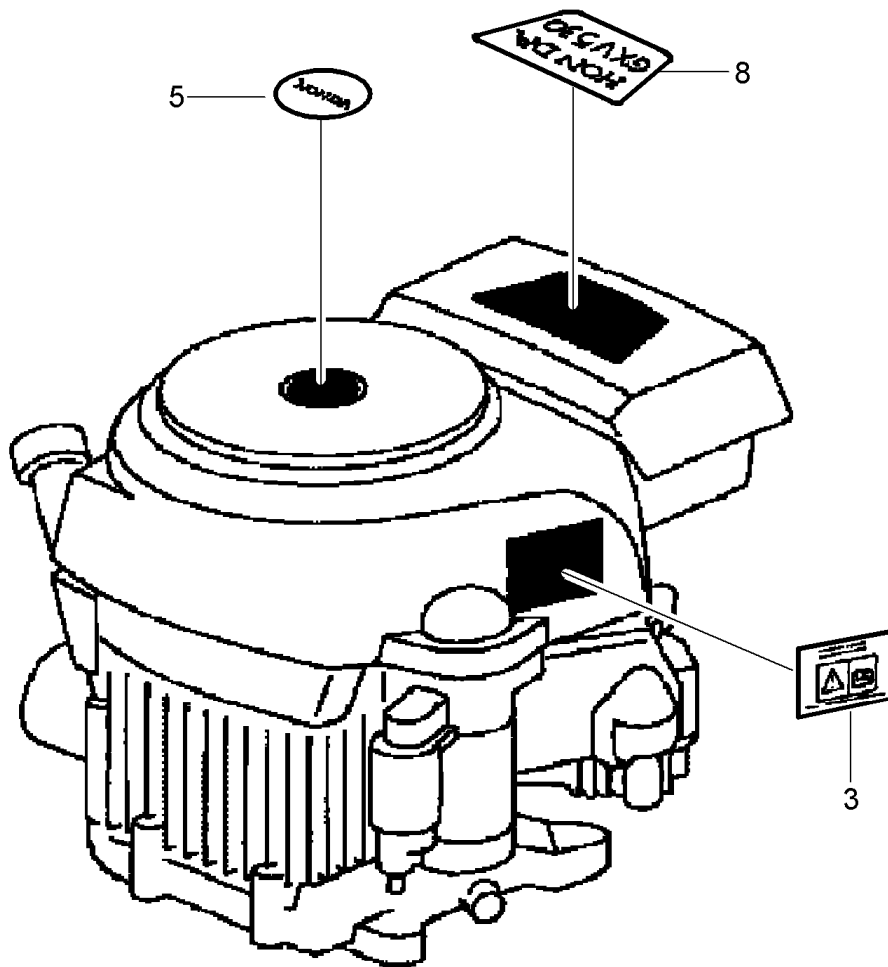
● Obtain parts from www.honda-engines.com



Regulator Rectifier and Sub-Wire Harness Assembly Honda GXV530 EXA2

| <i>Ref.</i> | <i>Part Number</i> | <i>Qty.</i> | <i>Description</i> |
|-------------|--------------------|-------------|------------------------------------|
| 6 | 32105-Z0A-000 | 1 | Sub-Wire Harness ASM ● |
| 8 | 31758-Z0A-800 | 1 | Bracket-Regulator ● |
| 9 | 35806-752-630 | 1 | Base-Clip ● |
| 10 | 90013-883-000 | 1 | Bolt-Flange (6X12) (C T200) ● |
| 11 | 90014-952-000 | 2 | Bolt-Flange (6X14) (C T200) ● |
| 12 | 90672-SB2-003 | 1 | Strap-Cable (105Mm) (N H1 Black) ● |
| 13 | 91406-ZB3-740 | 1 | Tube-Wire ● |
| 14 | 95701-06008-00 | 1 | Bolt-Flange (6X8) ● |
| 15 | 95701-06020-00 | 2 | Bolt-Flange (6X20) ● |
| 19 | 31750-Z0A-V01 | 1 | Regulator Rectifier ASM ● |

● Obtain parts from www.honda-engines.com



Label Assembly Honda GXV530 EXA2

| <i>Ref.</i> | <i>Part Number</i> | <i>Qty.</i> | <i>Description</i> |
|-------------|--------------------|-------------|--------------------------|
| 3 | 87516-Z0A-010 | 1 | Mark-Caution, Operator ● |
| 5 | 87531-Z0A-010 | 1 | Mark-Honda ● |
| 8 | 87101-Z0P-010 | 1 | Mark-Emblem (Gxv530) ● |

● Obtain parts from www.honda-engines.com

Attachments and Accessories

For 74434 TimeCutter ZD530 Riding Mower

| Product Name | Model/Part |
|--|------------|
| Rear Deflector Kit | 74435 |
| 48 Inch Snow Blade CE Completion Kit | 74436 |



Count on it.