



Count on it.

Parts Catalog

**Groundsmaster® 7200 Series
Traction Unit**

Model No. 30495—Serial No. 405700000 and Up



Ordering Replacement Parts

To order replacement parts, please supply the part number, the quantity, and the description of each part desired.

Understanding Reference Numbers

Each identified part in an illustration has a reference number. The reference number for a part also appears in the parts list, along with other information about the part.

This catalog uses two special reference number formats, one to indicate parts in a service assembly and another to indicate the quantity of a given part in an illustration.

Service Assembly Reference Numbers

Parts in service assemblies have reference numbers in the form a:b. The a represents the reference number of the entire service assembly and the b represents a sequential number unique to each part within the service assembly.

For example, a wheel assembly might be identified by reference number 6, the tire by 6:1, the valve by 6:2, and the wheel by 6:3. When you order the assembly identified by reference number 6, you receive all parts identified by reference numbers 6:1, 6:2, and 6:3. However, you may also order any part individually. Reference numbers of this type appear in illustration and in parts lists.

Reference Numbers Indicating Quantity

In an illustration, if a reference number indicates more than one part, the reference number has the form nX y. The n represents the quantity of the part, the X is the multiplication symbol, and the y represents the reference number.

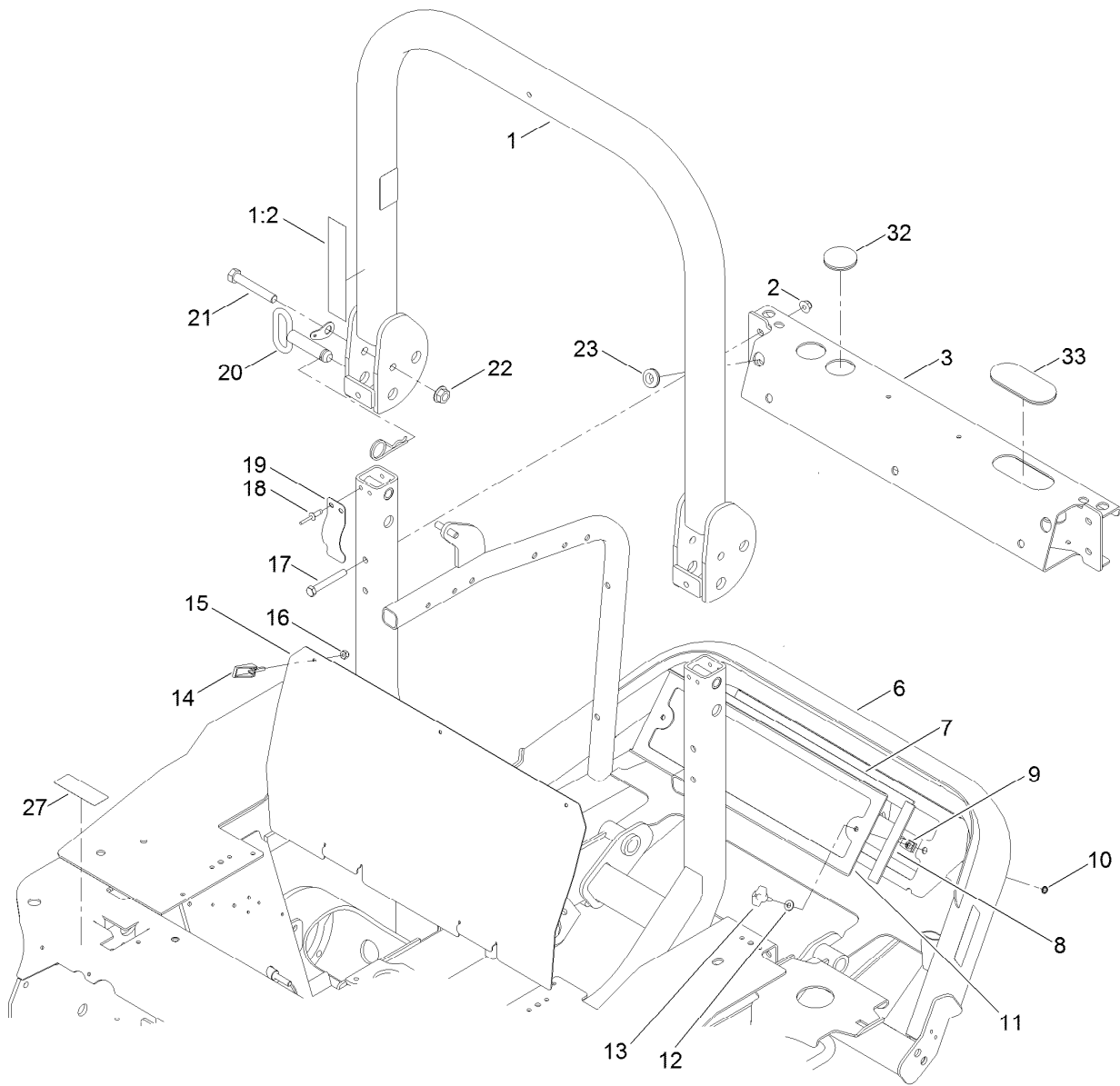
For example, in an illustration, the reference number 2X 37 means that two of the parts identified by reference number 37 are indicated.

Contents

| | |
|--|----|
| Rear Frame Assembly | 5 |
| Engine Assembly | 6 |
| Transmission and Gear Pump Assembly | 7 |
| Charge Pump Housing Assembly Transmission Assembly No. 131-5510 | 8 |
| Center Section Assembly Transmission Assembly No. 131-5510 | 10 |
| Gear Case and Clutch Assembly Transmission Assembly No. 131-5510 | 12 |
| Driveshaft Assembly No. 110-3575 | 14 |
| Hydraulic Gear Pump Assembly No. 112-9542 | 15 |
| Rear Drive Assembly | 16 |
| Hydraulic Motor Assembly No. 108-5155 | 17 |
| Hydraulic Motor Assembly No. 108-5230 | 18 |
| LH Brake Caliper Assembly No. 120-0013 | 19 |
| RH Brake Caliper Assembly No. 120-0014 | 20 |
| Brake Handle Assembly | 21 |
| Radiator and Oil Cooler Assembly | 22 |
| Traction Control Assembly | 23 |
| Link Assembly No. 112-5099 | 24 |
| RH Lever Assembly No. 125-2687 | 25 |
| Control Panel Assembly | 26 |
| Left-Hand and Right-Hand Fuel Tank Assembly | 27 |
| LH Fuel Tank Assembly No. 110-8230 | 28 |
| RH Fuel Tank Assembly No. 110-8236 | 29 |
| Fuel Filter / Separator Assembly | 30 |
| Hood and Screen Assembly | 31 |
| Seat and Seat Plate Assembly | 32 |
| Seat Assembly No. 125-3107 | 33 |
| Floorplate and Carrier Frame Assembly | 34 |
| Carrier Frame Assembly No. 136-4466 | 35 |
| Lift Valve and Cylinder Assembly | 36 |
| Valve Assembly No. 131-1934 | 37 |
| Hydraulic Cylinder Assembly No. 110-9834 | 38 |
| Caster Wheel Assembly | 39 |
| Caster Wheel Assembly No. 133-4723 | 40 |
| Deck Lift Assembly | 41 |
| Electrical Assembly | 42 |
| Transmission and Oil Cooler Hydraulic Assembly | 43 |
| Hydraulic Reservoir Assembly | 44 |
| Hydraulic Reservoir Assembly No. 110-8237 | 45 |
| Air Cleaner Assembly | 46 |
| Air Cleaner Assembly No. 136-4481 | 47 |
| Crankcase Assembly | 48 |
| Oil Pan and Dipstick Assembly | 49 |
| Cylinder Head Assembly | 50 |
| Gear Case and Oil Filter Cartridge Assembly | 51 |
| Cylinder Head Cover Assembly | 52 |
| Main Bearing Case Assembly | 53 |
| Camshaft and Idle Gear Shaft Assembly | 54 |
| Piston and Crankshaft Assembly | 55 |
| Fuel Camshaft and Governor Shaft Assembly | 56 |
| Idle Apparatus Assembly | 57 |
| Injection Pump Assembly | 58 |
| Governor Assembly | 59 |
| Speed Control Plate Assembly | 60 |
| Nozzle Holder and Glow Plug Assembly | 61 |

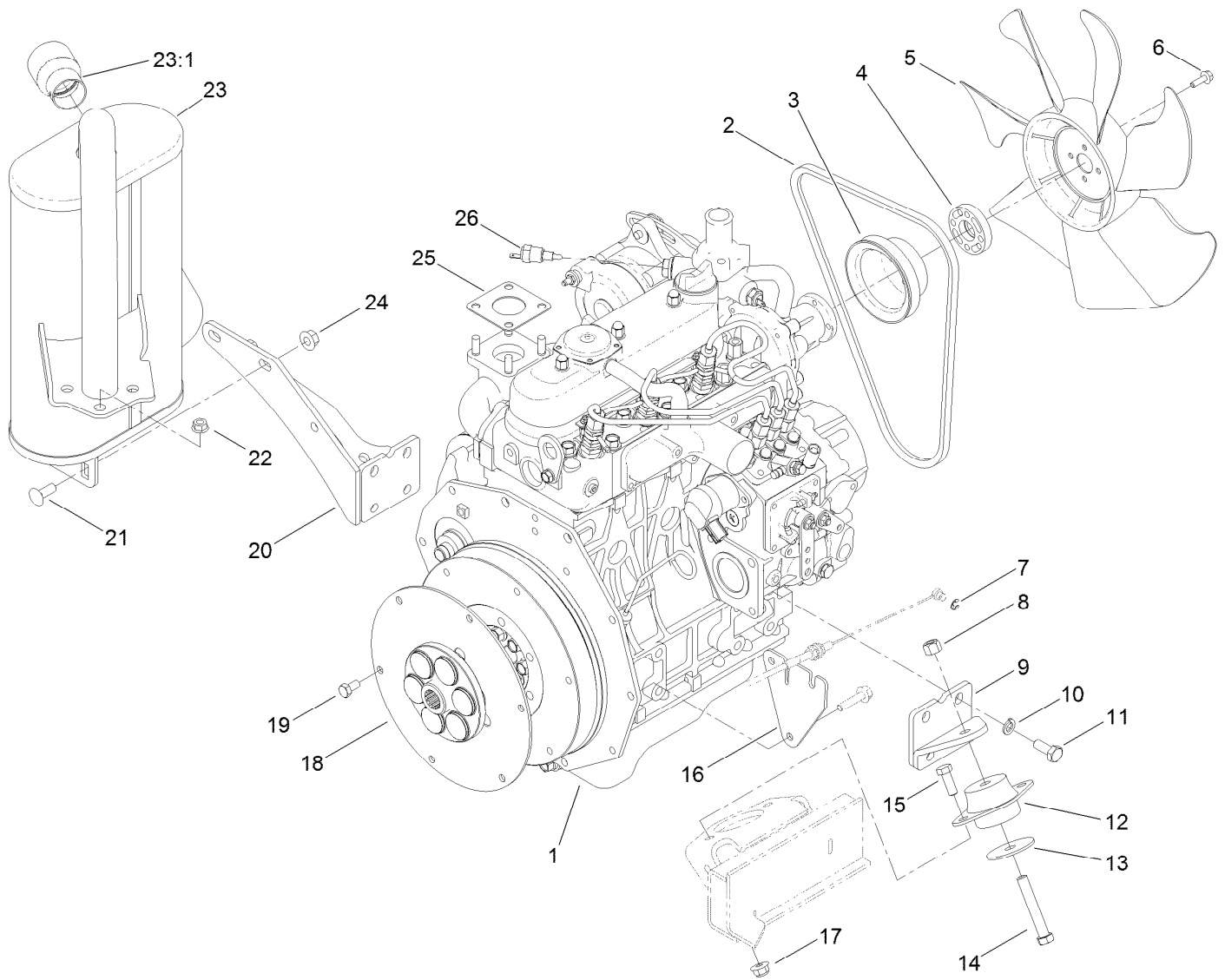
Contents (continued)

| | |
|--|----|
| Nozzle Holder Assembly | 62 |
| Alternator, Pulley and Fan Assembly | 63 |
| Alternator Components Assembly | 64 |
| Starter and Flywheel Assembly | 65 |
| Starter Component Assembly | 66 |
| Water Flange and Thermostat Assembly | 67 |
| Water Pump Assembly | 68 |
| Valve and Rocker Arm Assembly | 69 |
| Inlet and Exhaust Manifold Assembly | 70 |
| Miscellaneous Engine Parts | 71 |
| Upper Gasket Kit | 72 |
| Lower Engine Gasket Kit | 73 |
| Attachments and Accessories | 74 |



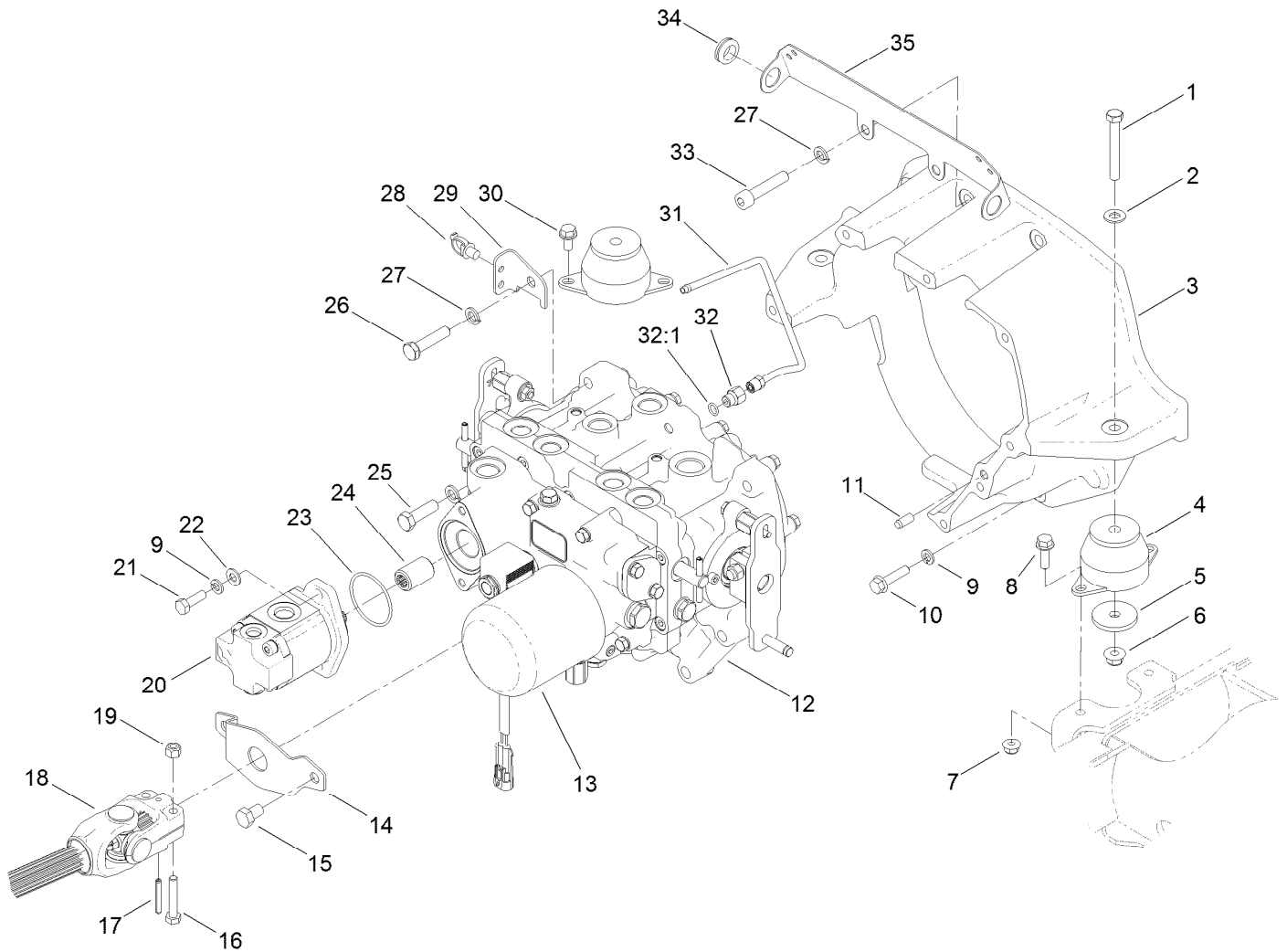
Rear Frame Assembly

| <i>Ref.</i> | <i>Part Number</i> | <i>Qty.</i> | <i>Description</i> | <i>Ref.</i> | <i>Part Number</i> | <i>Qty.</i> | <i>Description</i> |
|-------------|--------------------|-------------|--------------------|-------------|--------------------|-------------|-----------------------|
| 1 | 110-9770 | 1 | Upper ROPS ASM | 15 | 125-2718-03 | 1 | Panel-Rear |
| 1:2 | 107-3069 | 1 | Decal-Warning | 16 | 1-804254 | 3 | Nut-Lock, HH |
| 2 | 104-8301 | 4 | Nut-HF, NI | 17 | 323-13 | 4 | Screw-HH |
| 3 | 132-8150 | 1 | Crossmember ASM | 18 | 3290-412 | 4 | Rivet-Blind |
| 6 | 125-2714-03 | 1 | Frame-Rear | 19 | 110-5696 | 2 | Spring-Leaf |
| 7 | 120-0019 | 2 | Strip-Foam | 20 | 103-4553 | 2 | Pin-Fold, ROPS |
| 8 | 120-0017 | 2 | Strip-Foam | 21 | 112-7264 | 2 | Screw-HH |
| 9 | 107069 | 2 | Clip | 22 | 32128-23 | 2 | Nut-HF |
| 10 | 32151-106 | 2 | Ring-Retaining | 23 | 237-124 | 2 | Grommet |
| 11 | 112-6384-03 | 1 | Screen | 27 | 133-5618 | 1 | Decal-Arrester, Spark |
| 12 | 3256-22 | 2 | Washer-Flat | 32 | 105-5761 | 2 | Grommet |
| 13 | 98-8332 | 2 | Knob | 33 | 130-6086 | 1 | Grommet |
| 14 | 74-5950 | 3 | Latch-Swell | | | | |



Engine Assembly

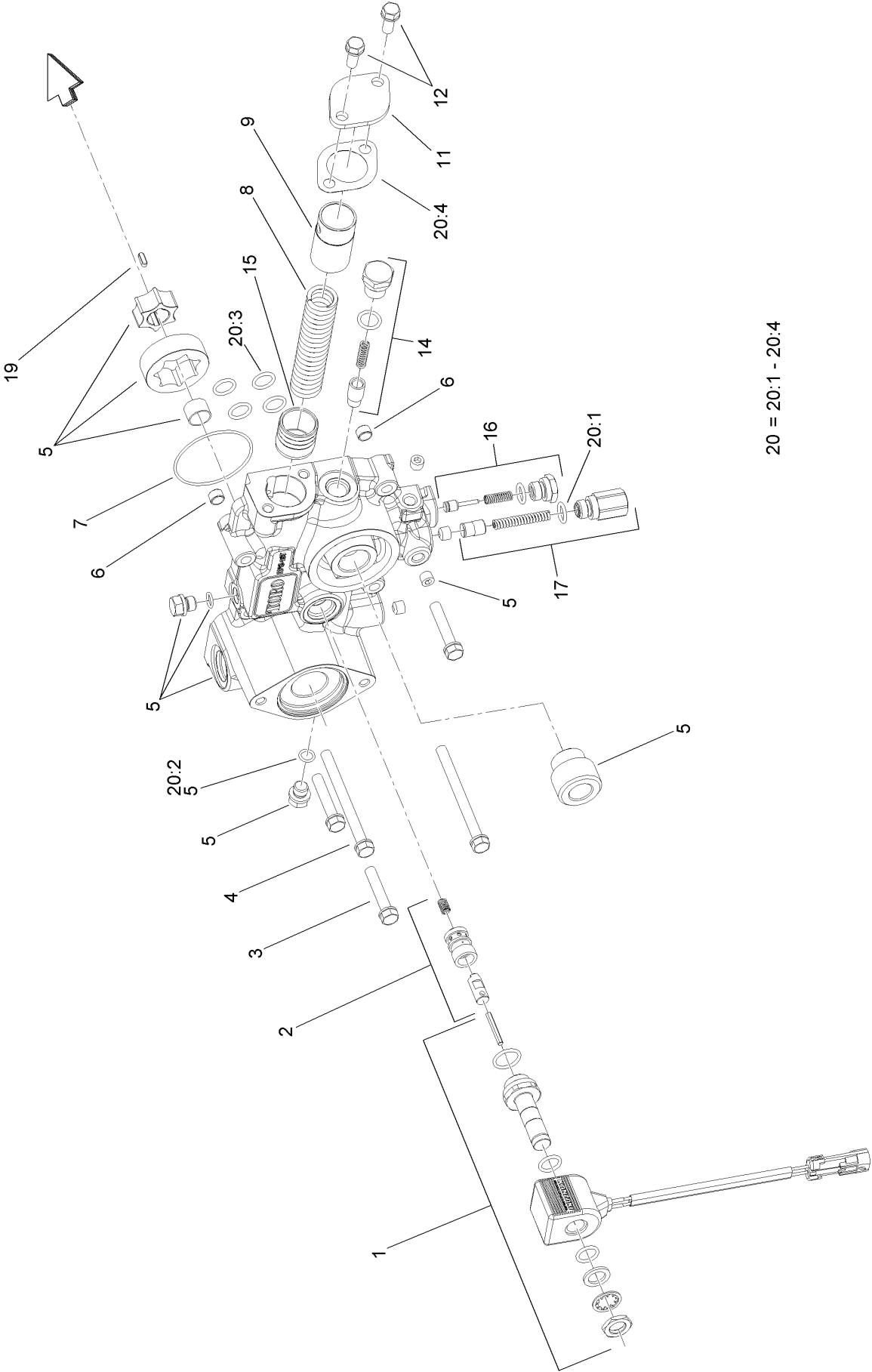
| <i>Ref.</i> | <i>Part Number</i> | <i>Qty.</i> | <i>Description</i> | <i>Ref.</i> | <i>Part Number</i> | <i>Qty.</i> | <i>Description</i> |
|-------------|--------------------|-------------|----------------------|-------------|--------------------|-------------|--------------------|
| 1 | 138-6907 | 1 | Engine-Kubota, D1105 | 15 | 323-6 | 4 | Screw-HH |
| 2 | 98-9676 | 1 | V-Belt | 16 | 114-4060 | 1 | Bracket-Throttle |
| 3 | 98-9584 | 1 | Pulley-Fan | 17 | 104-8301 | 4 | Nut-HF, NI |
| 4 | 108-2872 | 1 | Collar-Fan | 18 | 110-9729 | 1 | Coupling-Flywheel |
| 5 | 104-4246 | 1 | Fan-Engine | 19 | 99-5132 | 6 | Bolt |
| 6 | 33103-020 | 4 | Screw-HHF | 20 | 108-9926-03 | 1 | Bracket-Muffler |
| 7 | 701197 | 1 | E-Ring | 21 | 3231-22 | 2 | Screw-CARR |
| 8 | 3296-48 | 2 | Nut-Hex | 22 | 33004-00 | 4 | Nut-HF |
| 9 | 105-7235-03 | 1 | Mount-Rear | 23 | 105-7230 | 1 | Muffler |
| 10 | 48-9590 | 8 | Washer-Lock | 23:1 | 112-1688 | 1 | Spark Arrestor Kit |
| 11 | 43-0090 | 8 | Screw-HH | 24 | 32128-29 | 2 | Nut-Lock, Flange |
| 12 | 130-2486 | 2 | Mount | 25 | 99-8343 | 1 | Gasket-Muffler |
| 13 | 87-5100 | 2 | Washer-Snubbing | 26 | 98-9719 | 1 | Thermoswitch |
| 14 | 324-11 | 2 | Screw-HH | | | | |



Transmission and Gear Pump Assembly

| Ref. | Part Number | Qty. | Description | Ref. | Part Number | Qty. | Description |
|------|-------------|------|------------------|------|-------------|------|----------------------|
| 1 | 323-13 | 2 | Screw-HH | 19 | 3296-29 | 4 | Nut-Lock, NI |
| 2 | 3256-24 | 2 | Washer-Flat | 20 | 112-9542 | 1 | HYD Gear Pump ASM |
| 3 | 108-5193 | 1 | Housing-Flywheel | 21 | 33114-025 | 2 | Screw-HH |
| 4 | 107-2289 | 2 | Mount-Motor | 22 | 3256-23 | 2 | Washer-Plain |
| 5 | 80-8560 | 2 | Washer-Hardened | 23 | 108-9919 | 1 | O-Ring |
| 6 | 104-8301 | 2 | Nut-HF, NI | 24 | 108-9920 | 1 | Coupler-Spline |
| 7 | 104-8300 | 2 | Nut-HF, NI | 25 | 33115-035 | 1 | Screw-HH |
| 8 | 3234-17 | 2 | Screw-HHF | 26 | 33115-045 | 6 | Screw-HH |
| 9 | 3253-4 | 10 | Washer-Lock | 27 | 48-9590 | 9 | Washer-Lock |
| 10 | 33104-035 | 8 | Screw-HHF | 28 | 32180-030 | 1 | Clip-Tie |
| 11 | 87-1910 | 4 | Pin-Dowel | 29 | 120-0239 | 1 | Support-Tube |
| 12 | 131-5510 | 1 | Transmission ASM | 30 | 32144-14 | 2 | Screw-HWHTF |
| 13 | 108-5194 | 1 | Filter-Oil, HYD | 31 | 110-5537 | 1 | Tube |
| 14 | 114-4088 | 1 | Shield-Seal | 32 | 110-5536 | 1 | Fitting-HYD, Adapter |
| 15 | 33115-016 | 2 | Screw-HH | 32:1 | 237-78 | 1 | O-Ring |
| 16 | 322-9 | 4 | Screw-HH | 33 | 3274-106 | 2 | Screw-HSH |
| 17 | 32121-34 | 2 | Pin-Roll | 34 | 99-3481 | 2 | Grommet |
| 18 | 110-3575 | 1 | Driveshaft ASM | 35 | 125-2716-03 | 1 | Bracket-Wire |

Charge Pump Housing Assembly Transmission Assembly No. 131-5510

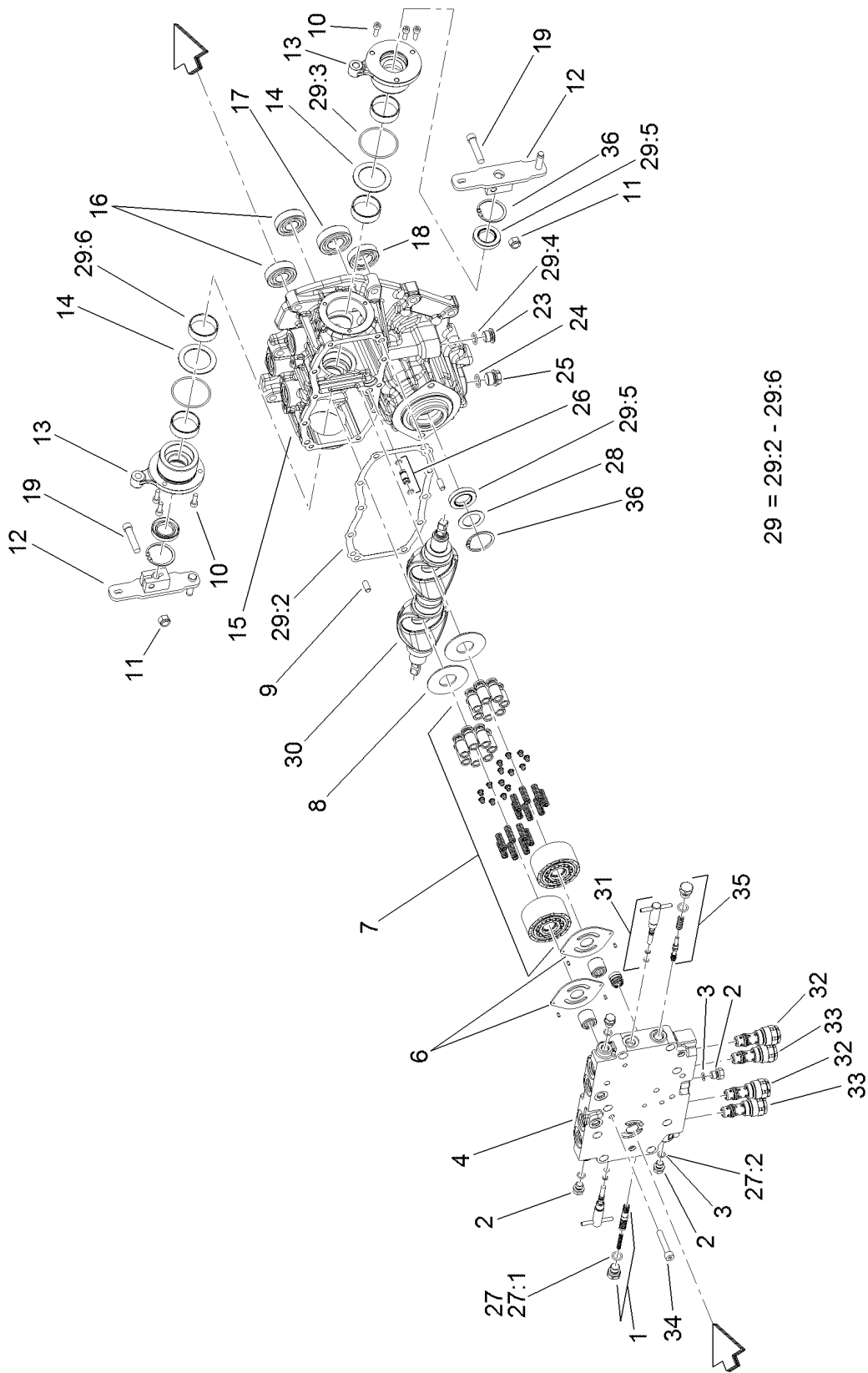


20 = 20:1 - 20:4

Charge Pump Housing Assembly Transmission Assembly No. 131-5510 (continued)

| <i>Ref.</i> | <i>Part Number</i> | <i>Qty.</i> | <i>Description</i> | <i>Ref.</i> | <i>Part Number</i> | <i>Qty.</i> | <i>Description</i> |
|-------------|--------------------|-------------|---------------------|-------------|--------------------|-------------|-------------------------|
| 1 | 107-0851 | 1 | Solenoid ASM | 14 | 107-0843 | 1 | Filter Bypass Valve ASM |
| 2 | 107-0850 | 1 | Solenoid Valve ASM | 15 | 107-0818 | 1 | Piston |
| 3 | 107-0863 | 3 | Bolt | 16 | 107-0842 | 1 | Charge Relief Valve ASM |
| 4 | 107-0864 | 2 | Bolt | 17 | 107-0841 | 1 | Pressure Valve ASM |
| 5 | 107-0840 | 1 | Pump Body ASM | 19 | 107-0865 | 1 | Key |
| 6 | 107-0848 | 2 | Pin | 20 | 107-0855 | 1 | Charge Pump Seal Kit |
| 7 | 107-0856 | 1 | O-Ring | 20:1 | 93-0418 | 2 | O-Ring |
| 8 | 107-0845 | 1 | Spring | 20:2 | 107-0817 | 2 | O Ring-Plug |
| 9 | 107-0844 | 1 | Collar | 20:3 | 104-3298 | 6 | Packing |
| 11 | 107-0846 | 1 | Cover | 20:4 | 107-0847 | 1 | Gasket |
| 12 | 93-0457 | 2 | Bolt And Washer ASM | | | | |

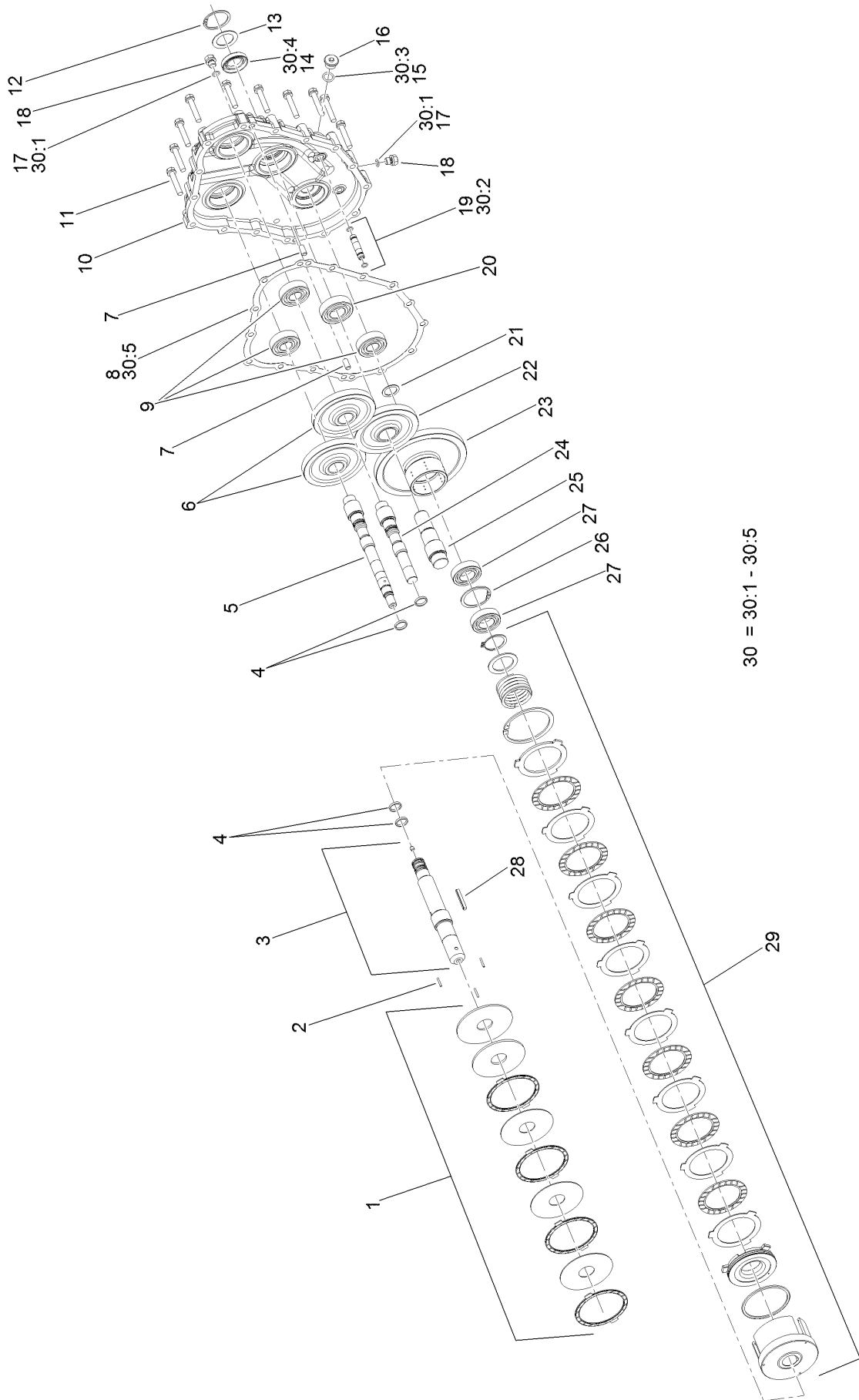
Center Section Assembly Transmission Assembly No. 131-5510



Center Section Assembly Transmission Assembly No. 131-5510 (continued)

| <i>Ref.</i> | <i>Part Number</i> | <i>Qty.</i> | <i>Description</i> | <i>Ref.</i> | <i>Part Number</i> | <i>Qty.</i> | <i>Description</i> |
|-------------|--------------------|-------------|-----------------------|-------------|--------------------|-------------|-----------------------|
| 1 | 107-0807 | 1 | Valve-Flushing, RH | 25 | 107-0867 | 1 | Plug |
| 2 | 107-0857 | 6 | Plug | 26 | 107-0812 | 1 | Pipe |
| 3 | 107-0817 | 6 | O Ring-Plug | 27 | 107-0852 | 1 | Center Case Seal Kit |
| 4 | 121-3377 | 1 | Center Case, Complete | 27:1 | 93-0418 | 2 | O-Ring |
| 6 | 107-0805 | 2 | Plate-Valve | 27:2 | 107-0817 | 6 | O Ring-Plug |
| 7 | 107-0824 | 2 | Cylinder Block ASM | 28 | 107-0813 | 1 | Spacer |
| 8 | 107-0830 | 2 | Plate-Thrust | 29 | 107-0853 | 1 | Pump Housing Seal Kit |
| 9 | 92-0765 | 4 | Pin-Parallel | 29:2 | 107-0810 | 1 | Gasket-Case, Center |
| 10 | 107-0859 | 6 | Bolt | 29:3 | 107-0817 | 2 | O Ring-Plug |
| 11 | 120-6681 | 2 | U-Nut | 29:4 | 104-3298 | 1 | Packing |
| 12 | 120-6680 | 2 | Arm-Control | 29:5 | 107-0814 | 3 | Seal |
| 13 | 107-0832 | 2 | Side Cover ASM | 29:6 | 107-0825 | 4 | Ring-Seal |
| 14 | 107-0829 | 2 | Washer | 30 | 120-6679 | 2 | Plate-Swash |
| 15 | 120-5151 | 1 | Pump Housing ASM | 31 | 107-0808 | 2 | Valve-Bypass |
| 16 | 107-0826 | 2 | Bearing | 32 | 107-0804 | 2 | Valve-Rear |
| 17 | 107-0821 | 1 | Bearing | 33 | 107-0803 | 2 | Valve-Front |
| 18 | 107-0838 | 1 | Bearing | 34 | 107-0863 | 8 | Bolt |
| 19 | 120-6682 | 2 | Bolt | 35 | 107-0806 | 1 | Valve-Flushing, LH |
| 23 | 107-0861 | 1 | Plug-NPTF | 36 | 92-0757 | 2 | Ring-Snap |
| 24 | 237-79 | 1 | O-Ring | | | | |

Gear Case and Clutch Assembly Transmission Assembly No. 131-5510

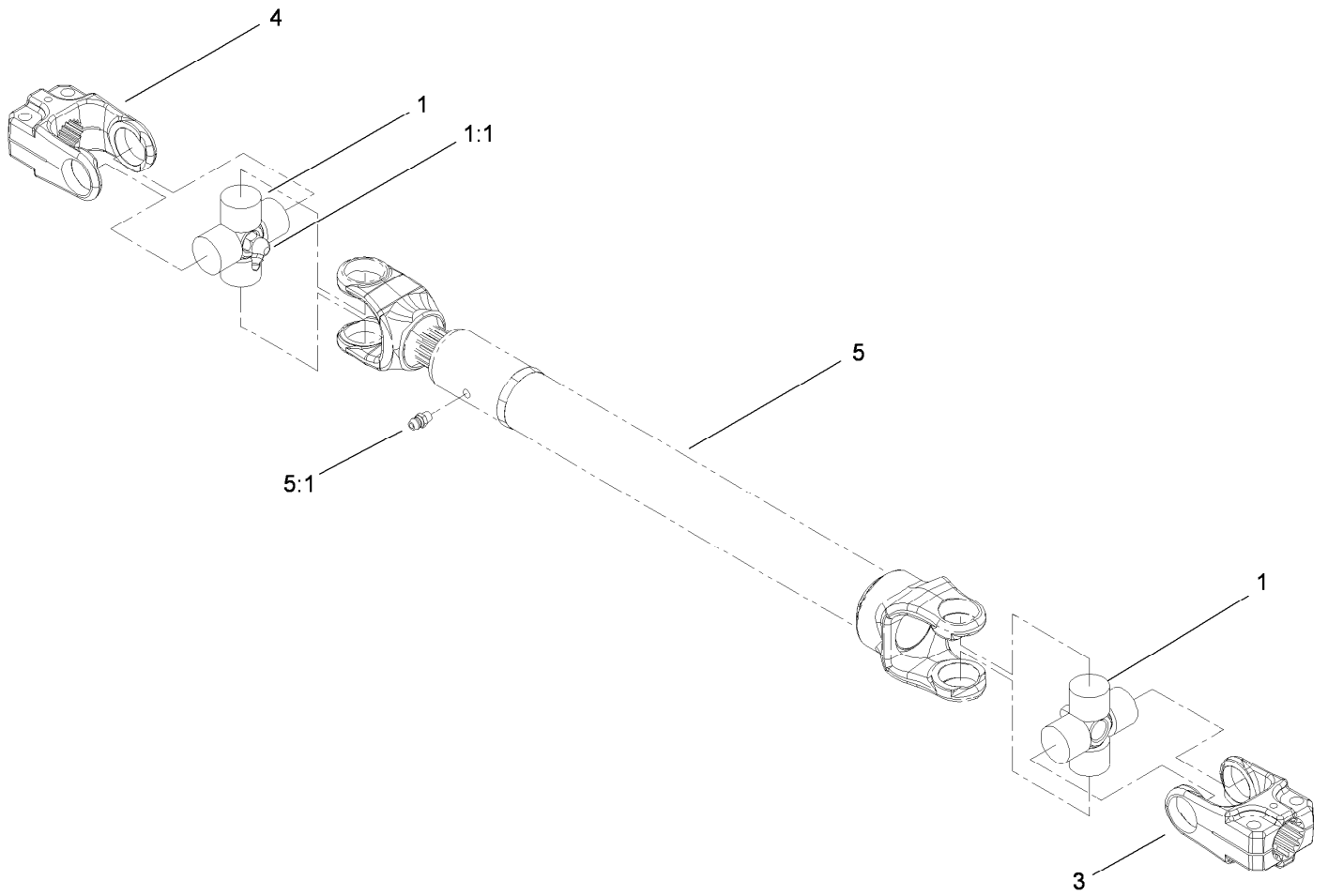


30 = 30:1 - 30:5

Gear Case and Clutch Assembly Transmission Assembly No. 131-5510 (continued)

| <i>Ref.</i> | <i>Part Number</i> | <i>Qty.</i> | <i>Description</i> | <i>Ref.</i> | <i>Part Number</i> | <i>Qty.</i> | <i>Description</i> |
|-------------|--------------------|-------------|----------------------|-------------|--------------------|-------------|-----------------------|
| 1 | 107-0839 | 1 | PTO Brake ASM | 19 | 107-0811 | 1 | Pipe |
| 2 | 107-0837 | 3 | Rod-Push | 20 | 107-0821 | 2 | Bearing |
| 3 | 107-0833 | 1 | PTO Shaft ASM | 21 | 107-0836 | 1 | Spacer |
| 4 | 107-0825 | 2 | Ring-Seal | 22 | 107-0820 | 1 | Gear-Input |
| 5 | 107-0827 | 1 | Shaft-Pump | 23 | 107-0834 | 1 | Gear-PTO |
| 6 | 107-0823 | 2 | Gear-Pump | 24 | 107-0822 | 1 | Shaft-Pump |
| 7 | 92-0765 | 4 | Pin-Parallel | 25 | 107-0819 | 1 | Shaft-Input |
| 8 | 107-0816 | 1 | Gasket-Housing, Gear | 26 | 92-0758 | 1 | Ring-Snap |
| 9 | 107-0826 | 4 | Bearing | 27 | 107-0838 | 3 | Bearing |
| 10 | 120-5152 | 1 | Housing-Case, Gear | 28 | 107-0866 | 1 | Key |
| 11 | 107-0863 | 13 | Bolt | 29 | 107-0835 | 1 | Clutch Cylinder ASM |
| 12 | 92-0757 | 1 | Ring-Snap | 30 | 107-0854 | 1 | Gear Housing Seal Kit |
| 13 | 107-0813 | 1 | Spacer | 30:1 | 107-0817 | 2 | O Ring-Plug |
| 14 | 107-0814 | 1 | Seal | 30:2 | | 2 | O-Ring ● |
| 15 | 104-3298 | 1 | Packing | 30:3 | 104-3298 | 1 | Packing |
| 16 | 107-0861 | 1 | Plug-NPTF | 30:4 | 107-0814 | 1 | Seal |
| 17 | 107-0817 | 6 | O Ring-Plug | 30:5 | 107-0816 | 1 | Gasket-Housing, Gear |
| 18 | 107-0857 | 6 | Plug | | | | |

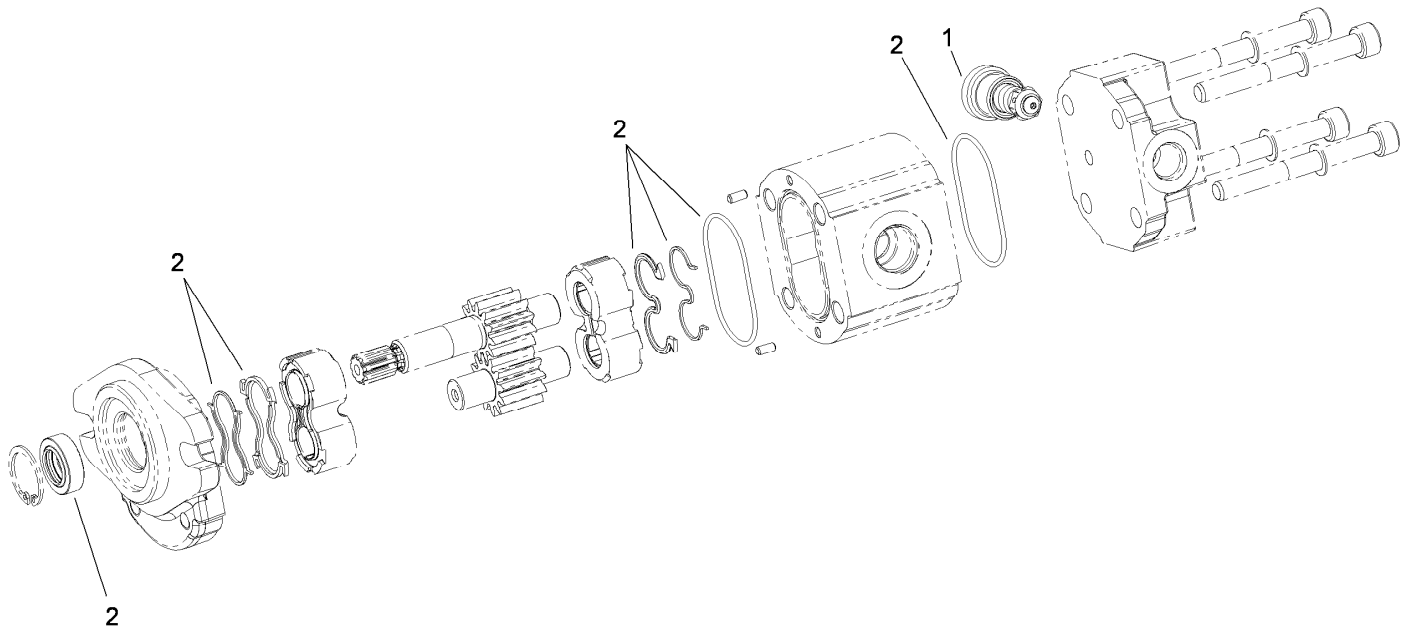
● Not serviced separately



Driveshaft Assembly No. 110-3575

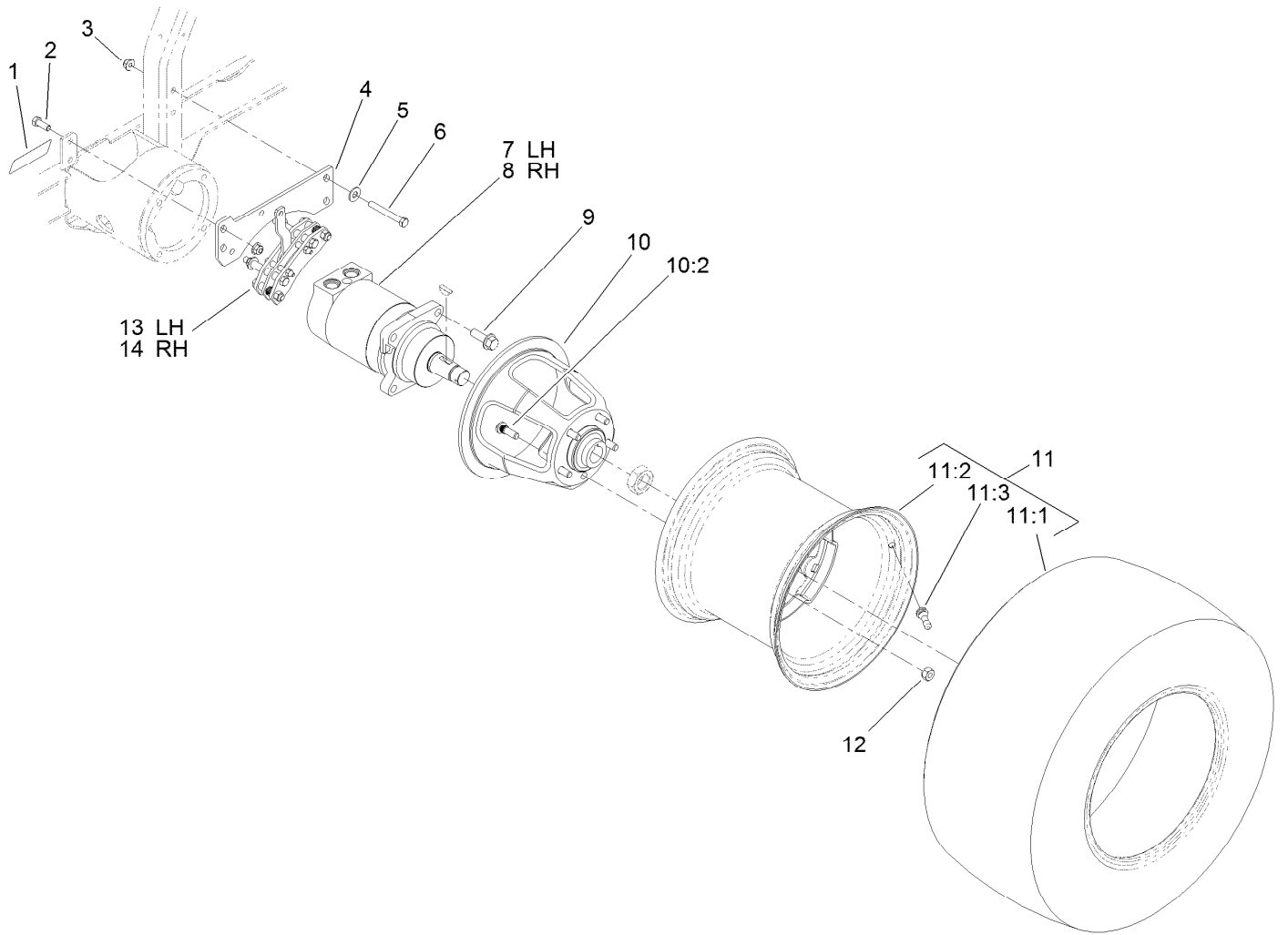
| Ref. | Part Number | Qty. | Description |
|------|-------------|------|-----------------------|
| 1 | 112-1687 | 2 | Cross And Bearing Kit |
| 1:1 | 62-3820 | 1 | Fitting-Grease |
| 3 | 54-9040 | 1 | Yoke-End |
| 4 | 54-9090 | 1 | Yoke-End |
| 5 | | 1 | Tube-Yoke, Slip ● |
| 5:1 | 302-22 | 1 | Fitting-Grease |

● Not serviced separately



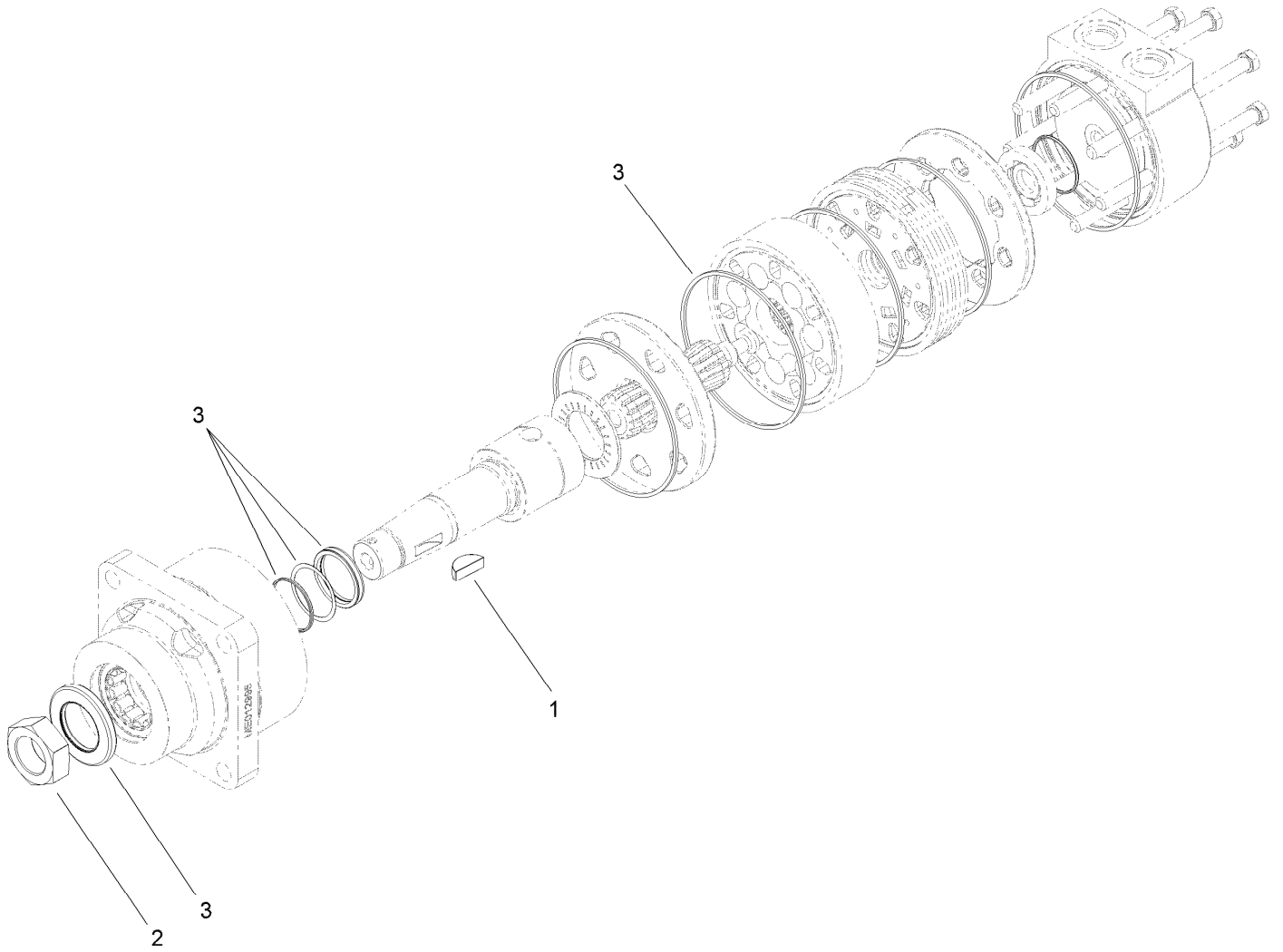
Hydraulic Gear Pump Assembly No. 112-9542

| <i>Ref.</i> | <i>Part Number</i> | <i>Qty.</i> | <i>Description</i> |
|-------------|--------------------|-------------|--------------------|
| 1 | 112-0198 | 1 | Valve |
| 2 | 112-0199 | 1 | Seal Kit |



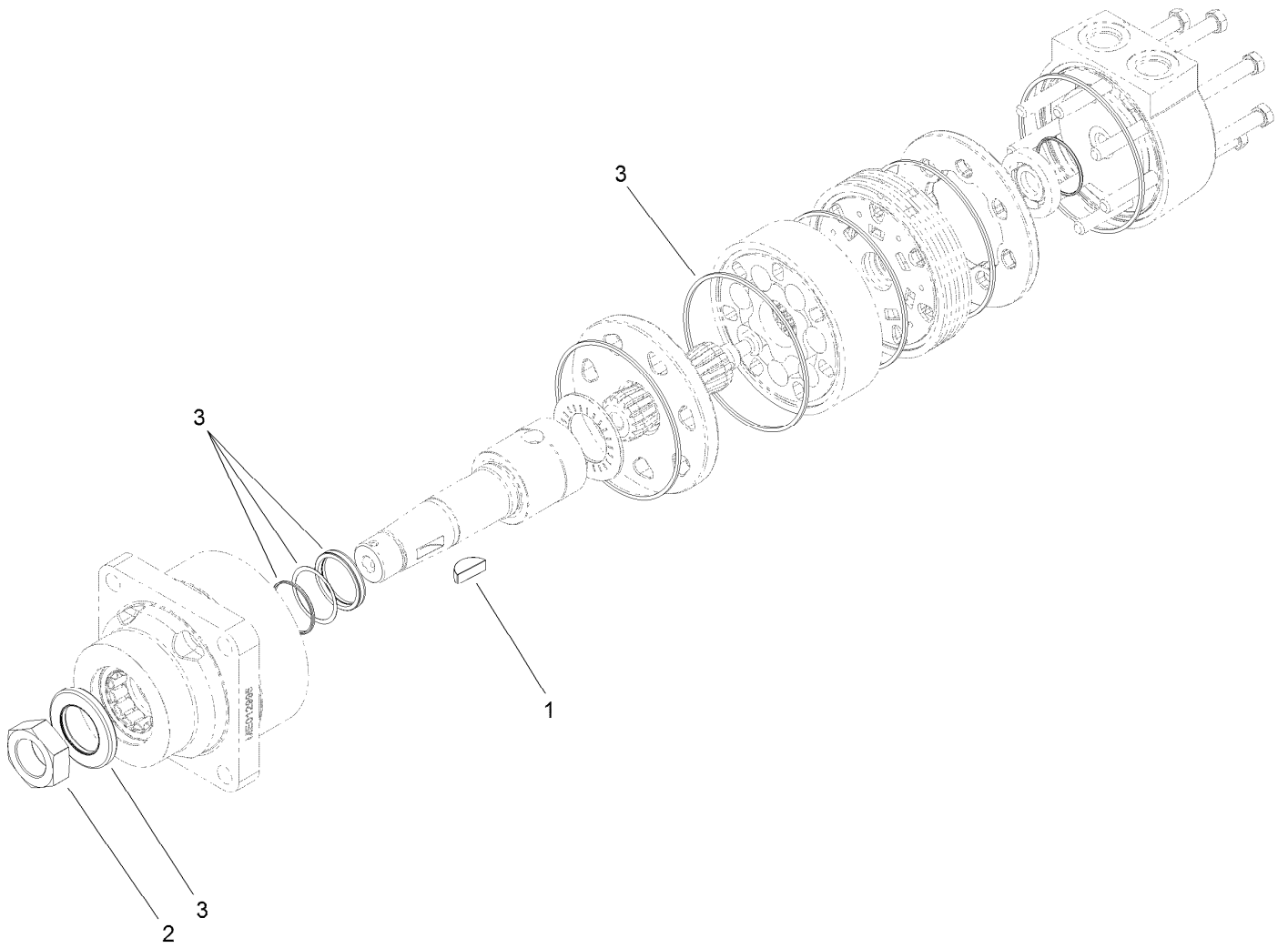
Rear Drive Assembly

| <i>Ref.</i> | <i>Part Number</i> | <i>Qty.</i> | <i>Description</i> | <i>Ref.</i> | <i>Part Number</i> | <i>Qty.</i> | <i>Description</i> |
|-------------|--------------------|-------------|---------------------|-------------|--------------------|-------------|----------------------|
| 1 | 106-9206 | 2 | Decal-Torque, Wheel | 10 | 110-5535 | 2 | Wheel Hub ASM |
| 2 | 323-6 | 4 | Screw-HH | 10:2 | 87-8730 | 5 | Stud |
| 3 | 104-8301 | 8 | Nut-HF, NI | 11 | 106-7864 | 2 | Tire And Wheel ASM |
| 4 | 112-9550-03 | 2 | Bracket-Brake | 11:1 | 106-7868 | 1 | Tire |
| 5 | 3256-4 | 4 | Washer-Flat | 11:2 | 87-6750 | 1 | Wheel |
| 6 | 323-14 | 4 | Screw-HH | 11:3 | 232-27 | 1 | Stem-Valve |
| 7 | 108-5155 | 1 | LH HYD Motor ASM | 12 | 23-7270 | 10 | Nut-Lug |
| 8 | 108-5230 | 1 | RH HYD Motor ASM | 13 | 120-0013 | 1 | LH Brake Caliper ASM |
| 9 | 100-6116 | 8 | Screw-HHF | 14 | 120-0014 | 1 | RH Brake Caliper ASM |



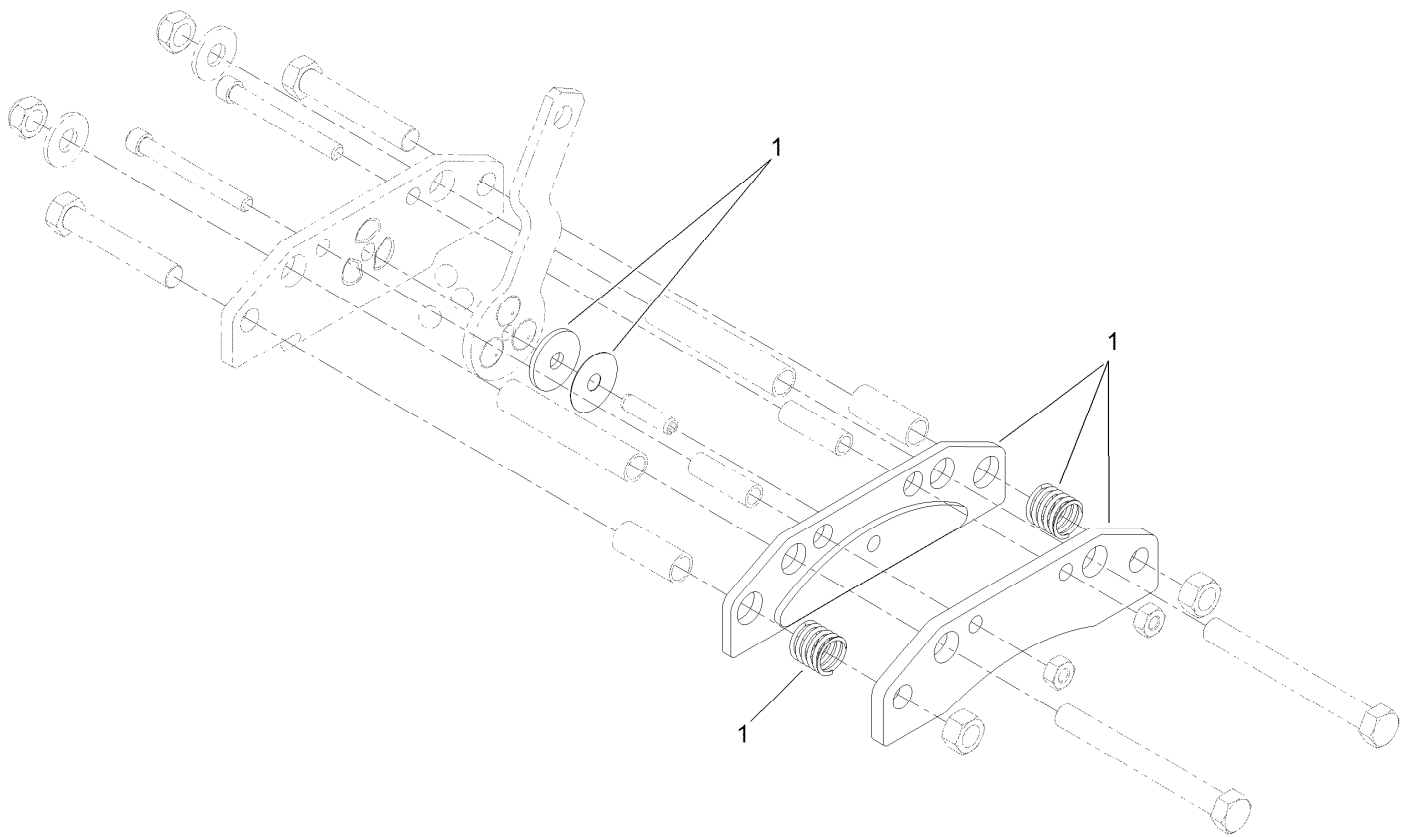
Hydraulic Motor Assembly No. 108-5155

| <i>Ref.</i> | <i>Part Number</i> | <i>Qty.</i> | <i>Description</i> |
|-------------|--------------------|-------------|--------------------|
| 1 | 3257-42 | 1 | Key-Woodruff |
| 2 | 107-9319 | 1 | Nut-Hex |
| 3 | 112-8405 | 1 | Seal Kit |



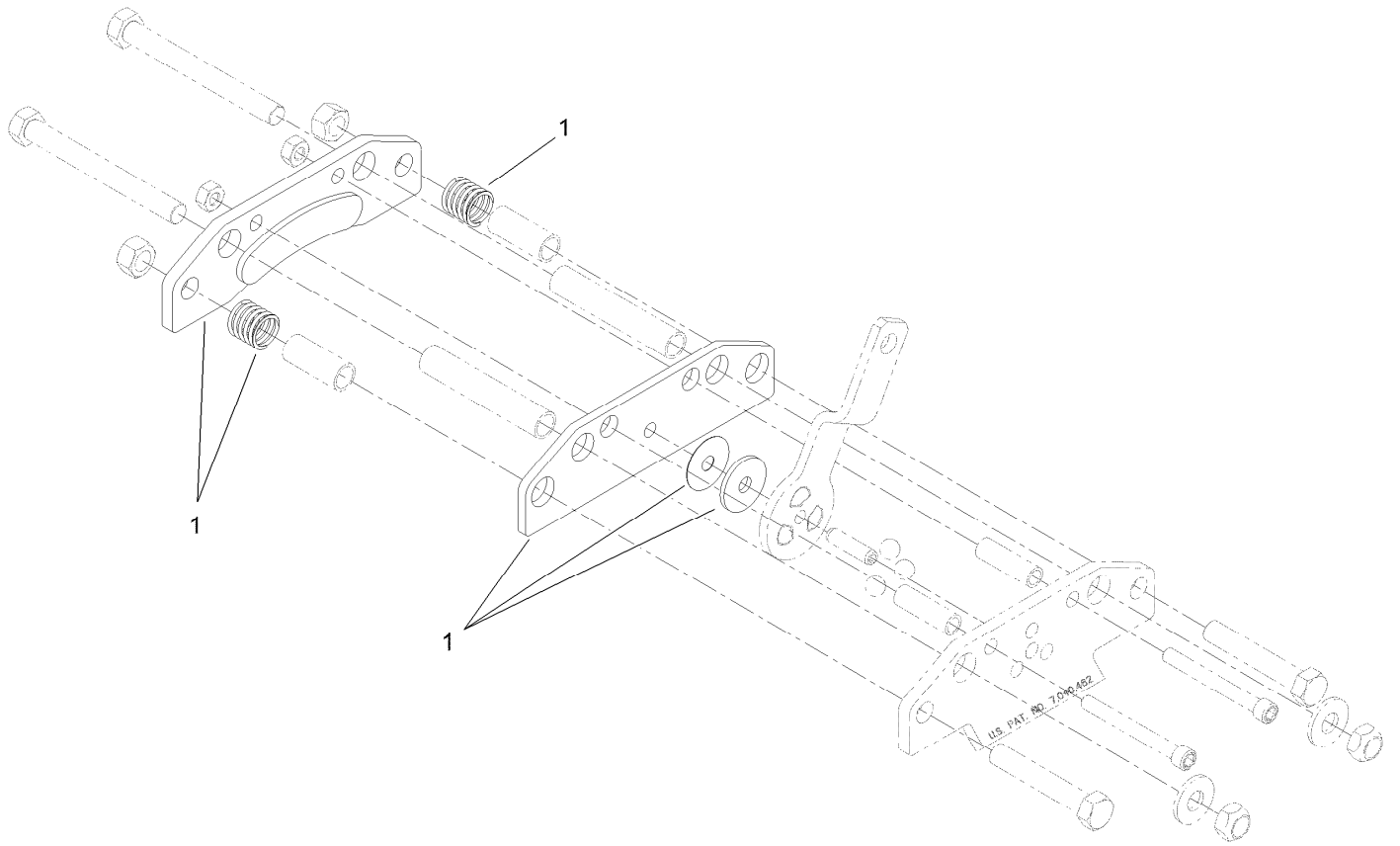
Hydraulic Motor Assembly No. 108-5230

| <i>Ref.</i> | <i>Part Number</i> | <i>Qty.</i> | <i>Description</i> |
|-------------|--------------------|-------------|--------------------|
| 1 | 3257-42 | 1 | Key-Woodruff |
| 2 | 107-9319 | 1 | Nut-Hex |
| 3 | 112-8405 | 1 | Seal Kit |



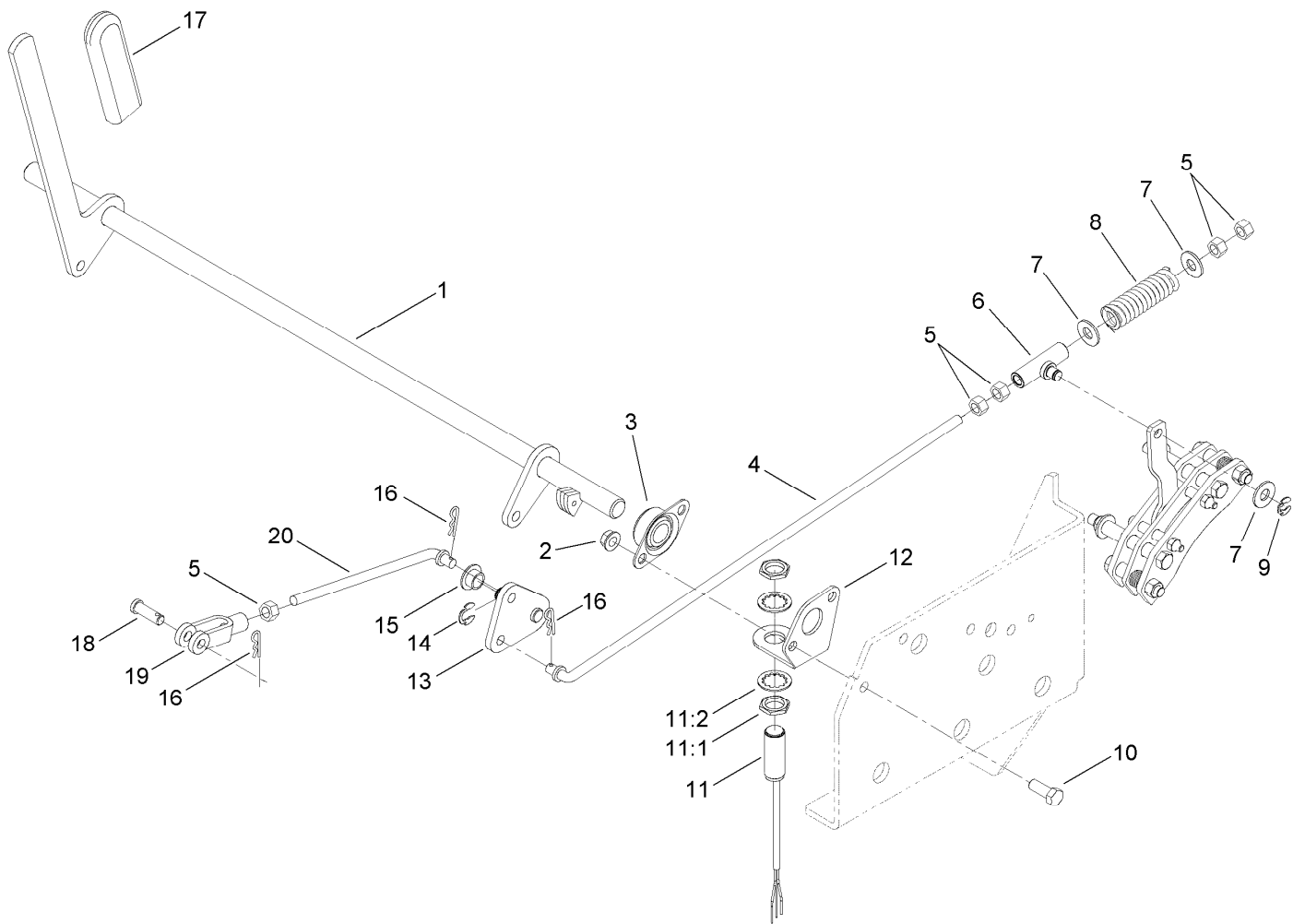
LH Brake Caliper Assembly No. 120-0013

| <i>Ref.</i> | <i>Part Number</i> | <i>Qty.</i> | <i>Description</i> |
|-------------|--------------------|-------------|-----------------------------------|
| 1 | 120-0015 | 1 | Replacement Brake Pad Service Kit |



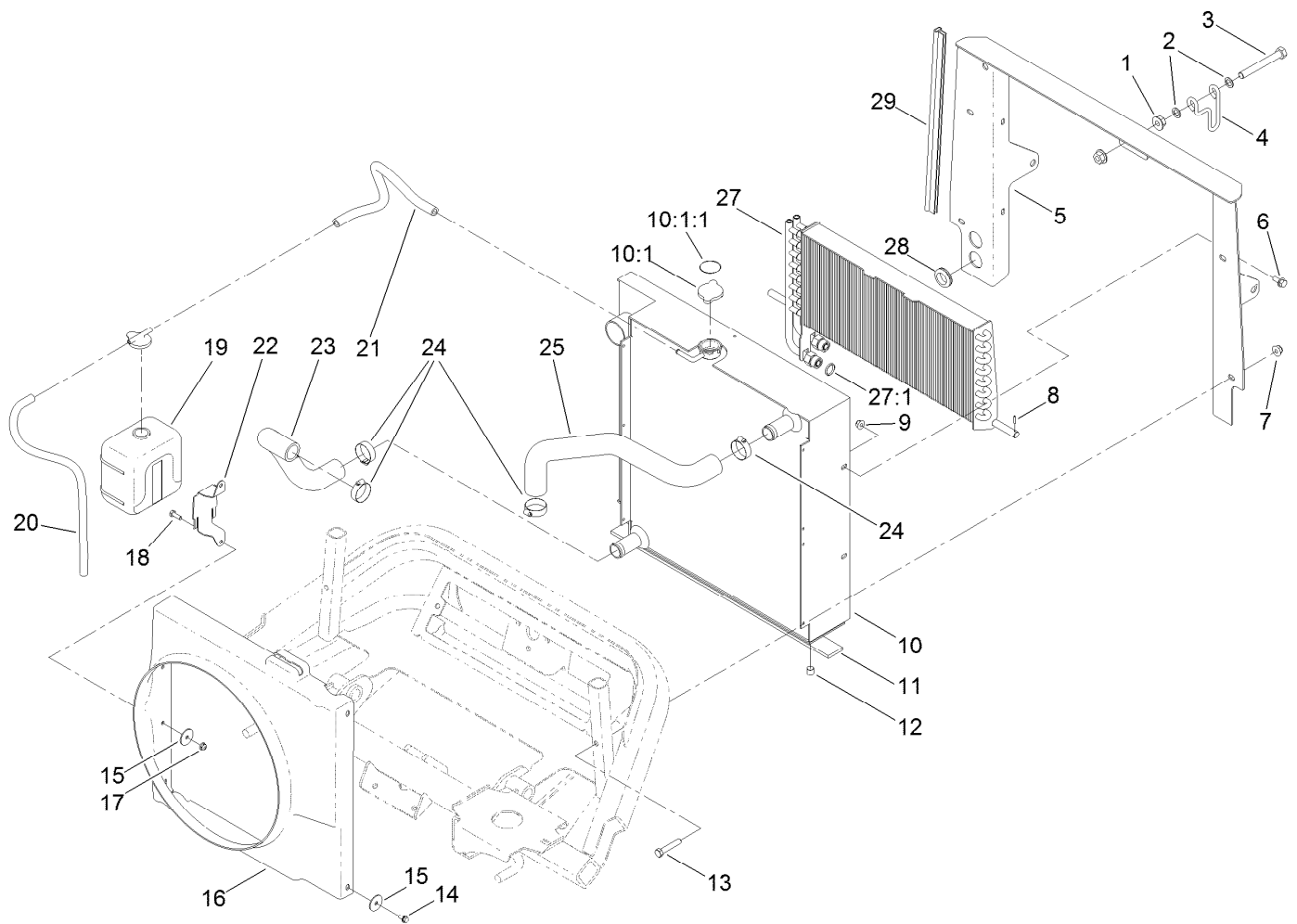
RH Brake Caliper Assembly No. 120-0014

| <i>Ref.</i> | <i>Part Number</i> | <i>Qty.</i> | <i>Description</i> |
|-------------|--------------------|-------------|-----------------------------------|
| 1 | 120-0015 | 1 | Replacement Brake Pad Service Kit |



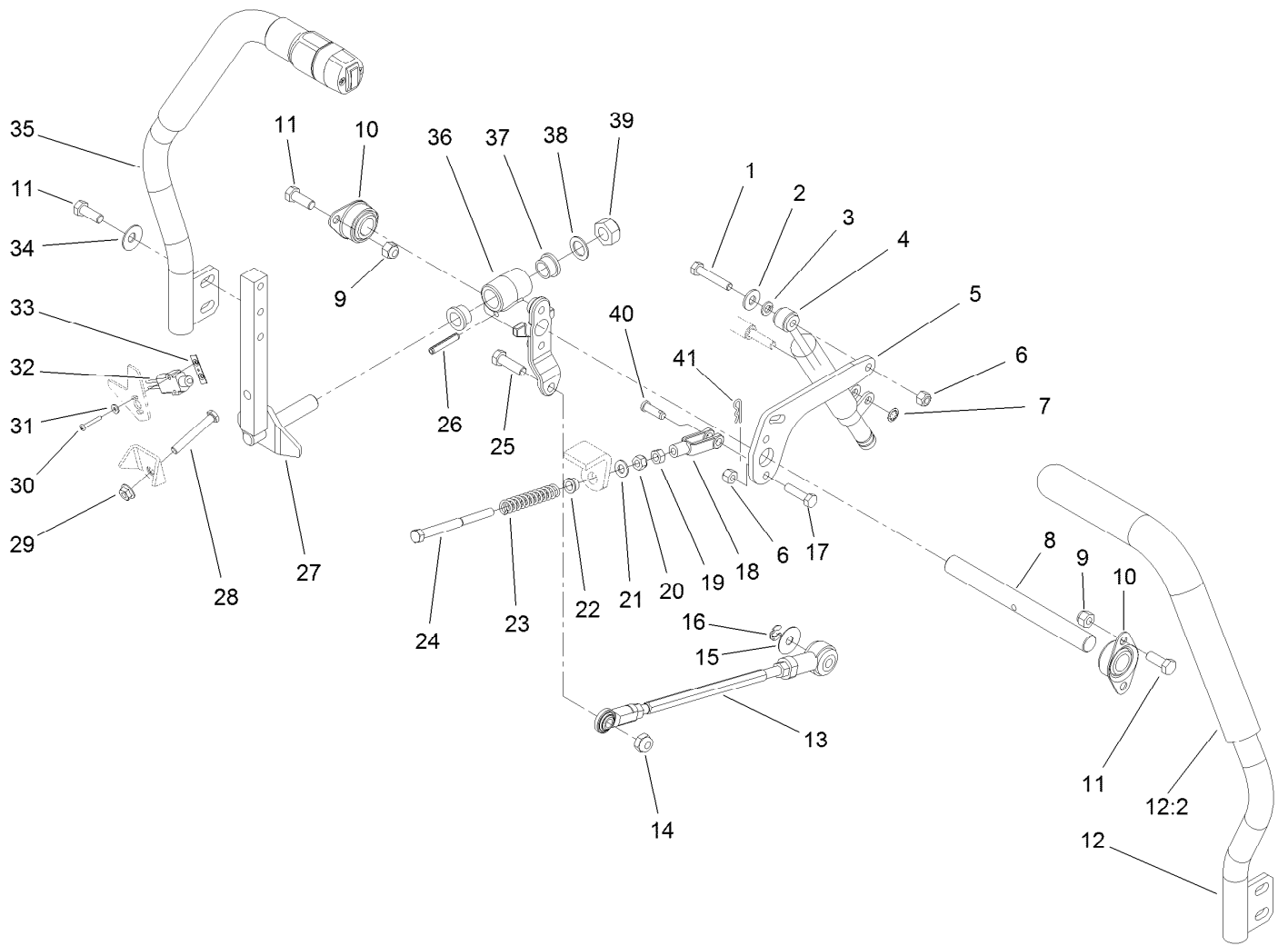
Brake Handle Assembly

| Ref. | Part Number | Qty. | Description | Ref. | Part Number | Qty. | Description |
|------|-------------|------|----------------------|------|-------------|------|-----------------------------|
| 1 | 117-5582-03 | 1 | Handle-Brake | 11:1 | 117-3207 | 2 | Nut-Hex |
| 2 | 3290-357 | 4 | Nut-HHF, Whiz | 11:2 | 117-3208 | 2 | Washer-Lock, Internal Tooth |
| 3 | 1-633102 | 2 | Bearing-Flange, Side | 12 | 117-5572 | 1 | Bracket-Switch |
| 4 | 120-0009 | 2 | Rod-Brake | 13 | 120-0022 | 2 | Pivot-Brake |
| 5 | 3219-3 | 10 | Nut-Hex | 14 | 32151-68 | 2 | Ring-Retaining |
| 6 | 132-8128 | 2 | Swivel ASM | 15 | 1-513140 | 4 | Bearing-Control |
| 7 | 3256-4 | 6 | Washer-Flat | 16 | 3290-307 | 6 | Pin-Cotter |
| 8 | 109-2230 | 2 | Spring-Compression | 17 | 1-633268 | 1 | Grip-Lever |
| 9 | 32151-47 | 2 | Ring-Retaining | 18 | 1-808285 | 2 | Pin-Clevis |
| 10 | 323-6 | 4 | Screw-HH | 19 | 1-633131 | 2 | Yoke-Linkage, Brake |
| 11 | 115-5300 | 1 | Proximity Switch ASM | 20 | 120-0023 | 2 | Rod-Brake |



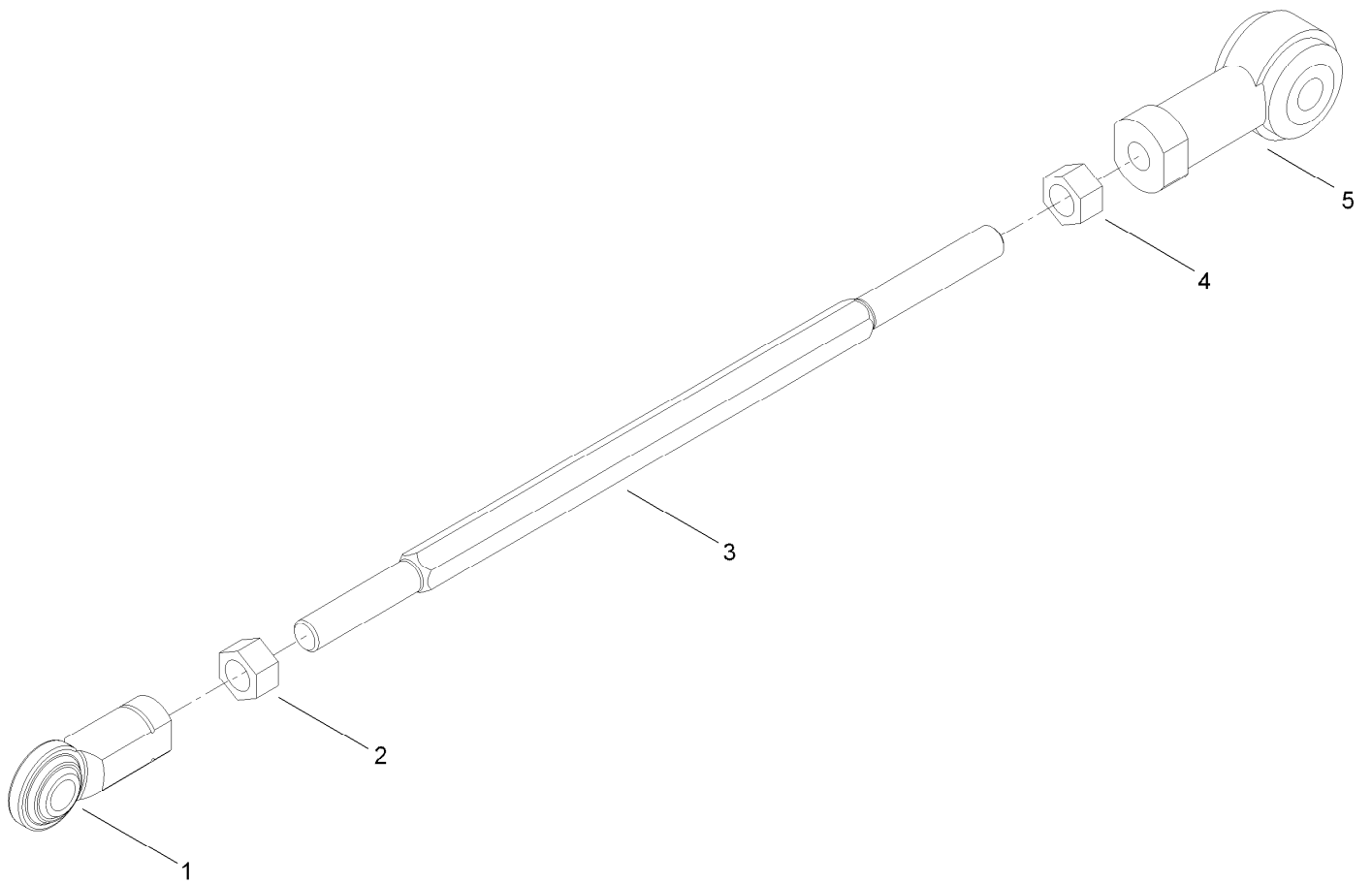
Radiator and Oil Cooler Assembly

| Ref. | Part Number | Qty. | Description | Ref. | Part Number | Qty. | Description |
|--------|-------------|------|---------------------|------|-------------|------|----------------------|
| 1 | 32128-49 | 2 | Nut-HHF | 15 | 3256-55 | 6 | Washer-Flat |
| 2 | 41-8440 | 2 | Washer | 16 | 117-9232 | 1 | Shroud-Fan |
| 3 | 325-17 | 1 | Screw-HH | 17 | 104-7201 | 2 | Nut-HF |
| 4 | 104-5429 | 1 | Clamp-Form, Wire | 18 | 321-4 | 2 | Screw-HH |
| 5 | 110-8277-03 | 1 | Frame-Radiator | 19 | 104-9318 | 1 | Bottle-Overflow |
| 6 | 3234-5 | 4 | Screw-HHF | 20 | 110-6187 | 1 | Hose-Fuel |
| 7 | 104-8301 | 4 | Nut-HF, NI | 21 | 109-0274 | 1 | Hose-Fuel |
| 8 | 32121-107 | 1 | Pin-Roll | 22 | 108-9930-03 | 1 | Bracket-Bottle |
| 9 | 104-8300 | 4 | Nut-HF, NI | 23 | 105-7283 | 1 | Hose-Radiator, Lower |
| 10 | 117-5135 | 1 | Radiator | 24 | 2412-34 | 4 | Clamp-Hose |
| 10:1 | 115-7766 | 1 | Cap-Radiator | 25 | 105-7282 | 1 | Hose-Radiator, Upper |
| 10:1:1 | 106-6755 | 1 | Decal-Cap, Radiator | 27 | 112-1684 | 1 | Cooler-Oil |
| 11 | 108-9935 | 1 | Strip-Foam | 27:1 | 237-30 | 2 | O-Ring |
| 12 | 99-8551 | 1 | Plug-Pipe | 28 | 240-5 | 2 | Grommet |
| 13 | 323-10 | 4 | Screw-HH | 29 | 107-2269 | 2 | Seal-Bulb |
| 14 | 32104-116 | 4 | Screw-HWHTF | | | | |



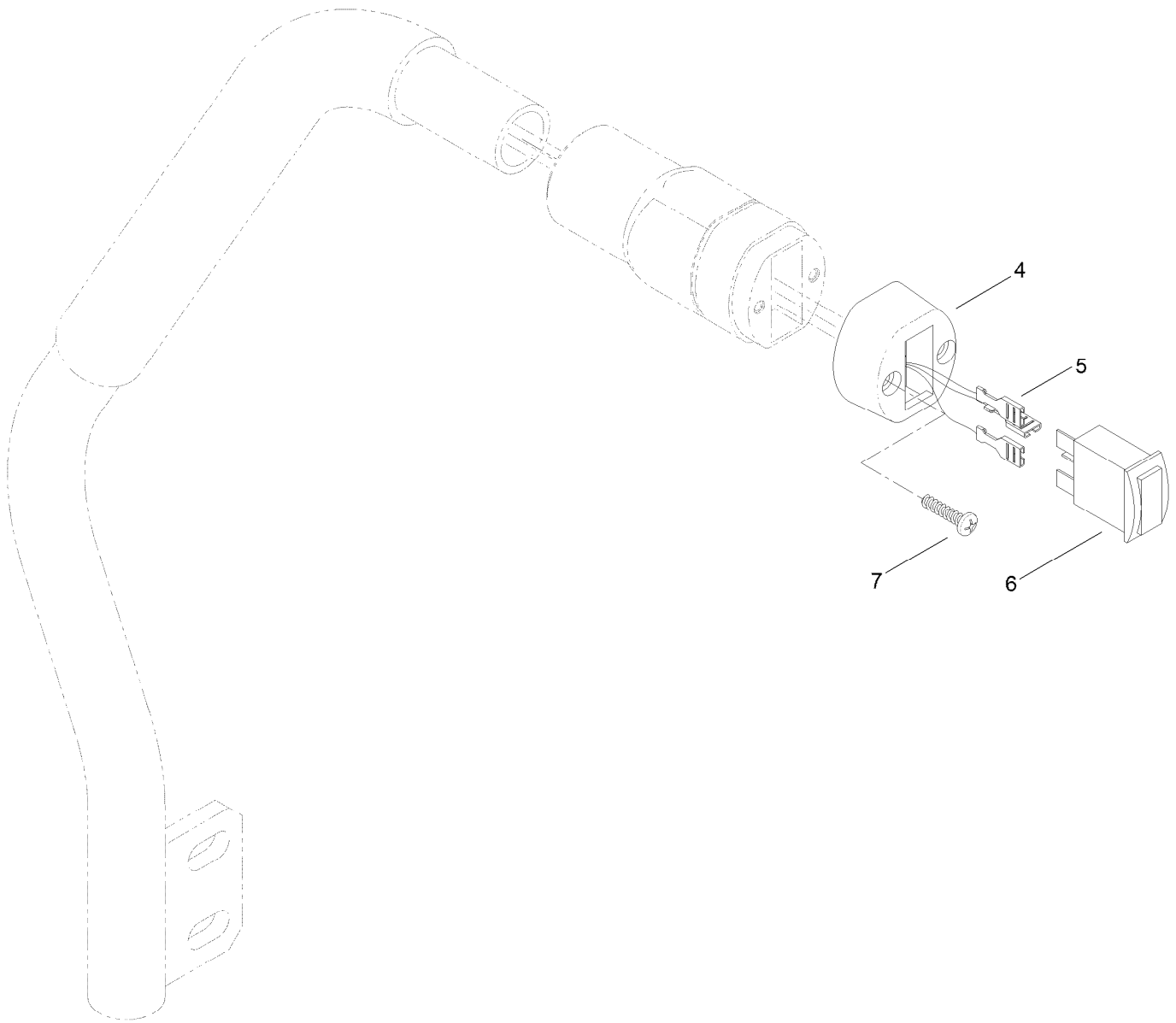
Traction Control Assembly

| <i>Ref.</i> | <i>Part Number</i> | <i>Qty.</i> | <i>Description</i> | <i>Ref.</i> | <i>Part Number</i> | <i>Qty.</i> | <i>Description</i> |
|-------------|--------------------|-------------|----------------------|-------------|--------------------|-------------|------------------------|
| 1 | 322-9 | 2 | Screw-HH | 21 | 3256-23 | 2 | Washer-Plain |
| 2 | 3256-3 | 2 | Washer-Flat | 22 | 1-603735 | 2 | Bushing-Flanged |
| 3 | 3253-4 | 4 | Washer-Lock | 23 | 1-603807 | 2 | Spring-Return, Neutral |
| 4 | 138-8207 | 2 | Damper | 24 | 1-603737 | 2 | Bolt-Return, Neutral |
| 5 | 108-9829-03 | 2 | Lever-Damper | 25 | 323-7 | 2 | Screw-HH |
| 6 | 3296-29 | 6 | Nut-Lock, NI | 26 | 32121-15 | 2 | Pin-Roll |
| 7 | 32151-72 | 2 | Ring-Retaining | 27 | 108-9833-03 | 2 | Lever |
| 8 | 108-9830 | 2 | Shaft-Pivot | 28 | 9114524 | 2 | Bolt-TAP, HH |
| 9 | 3296-39 | 8 | Nut-Lock, NI | 29 | 32128-26 | 2 | Nut-Flange |
| 10 | 1-633102 | 4 | Bearing-Flange, Side | 30 | 3250-35 | 4 | Screw-PPH |
| 11 | 323-6 | 12 | Screw-HH | 31 | 3256-53 | 4 | Washer-Flat |
| 12 | 125-2688 | 1 | LH Lever ASM | 32 | 99-3410 | 2 | Switch |
| 12:2 | 125-2704 | 1 | Grip-Foam | 33 | 108-9824 | 2 | Nut-Switch |
| 13 | 112-5099 | 2 | Link ASM | 34 | 3290-461 | 4 | Washer-Spring |
| 14 | 3296-44 | 2 | Nut-Lock, NI | 35 | 125-2687 | 1 | RH Lever ASM |
| 15 | 105-6814 | 2 | Washer-Plain | 36 | 108-9831 | 2 | Hub-Control |
| 16 | 32151-47 | 2 | Ring-Retaining | 37 | 105-3455 | 4 | Bushing |
| 17 | 322-6 | 4 | Screw-HH | 38 | 105-3481 | 4 | Washer-Thrust |
| 18 | 1-303105 | 2 | Yoke-Adjustable | 39 | 32152-6 | 2 | Nut-Lock, Cone |
| 19 | 3219-2 | 2 | Nut-Hex | 40 | 283-1 | 2 | Pin-Clevis |
| 20 | 3296-4 | 2 | Nut-Lock | 41 | 3290-307 | 2 | Pin-Cotter |



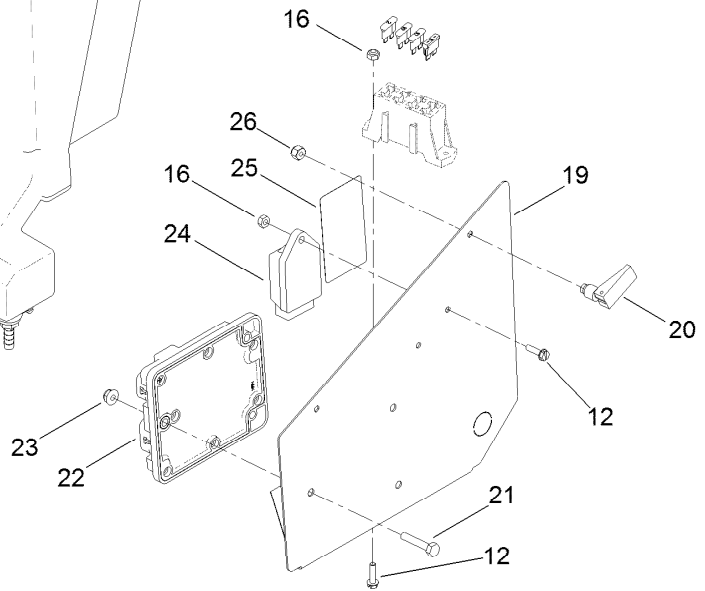
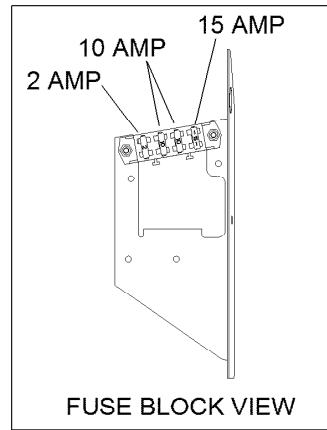
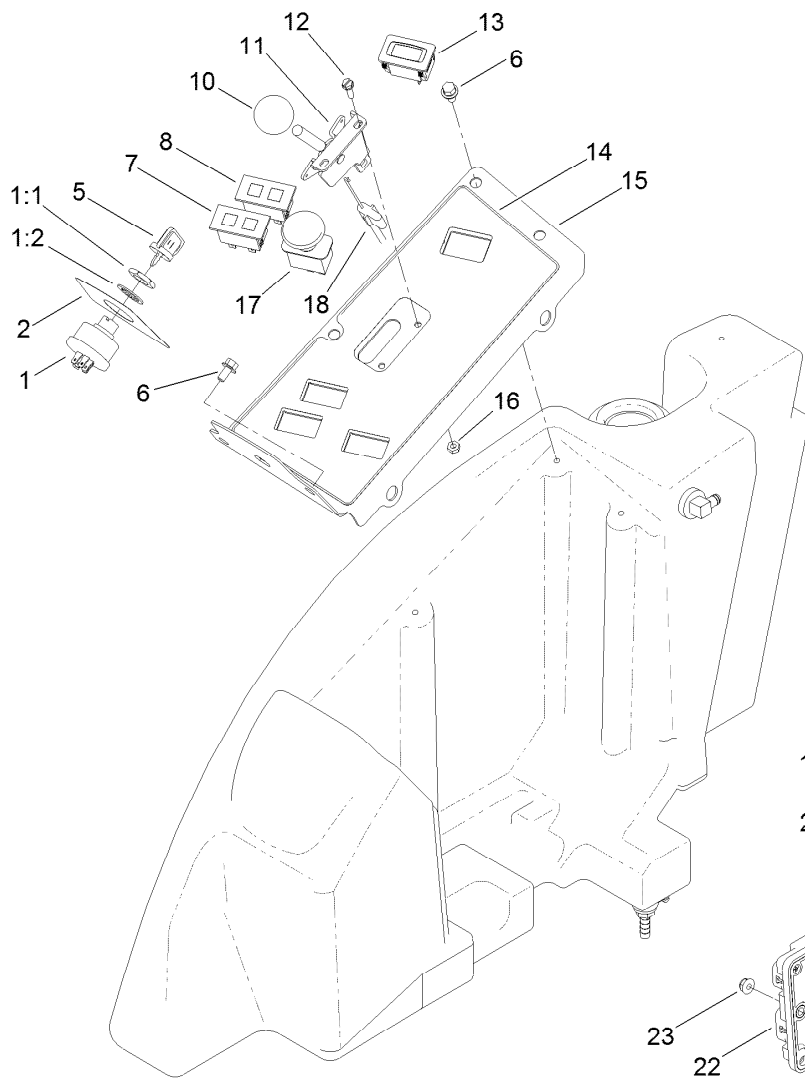
Link Assembly No. 112-5099

| <i>Ref.</i> | <i>Part Number</i> | <i>Qty.</i> | <i>Description</i> |
|-------------|--------------------|-------------|--------------------|
| 1 | 103-1167 | 1 | Joint-Ball End, LH |
| 2 | 3219-20 | 1 | Nut-Hex, LH |
| 3 | 105-7239 | 1 | Rod-Threaded |
| 4 | 3219-3 | 1 | Nut-Hex |
| 5 | 105-7199 | 1 | End-Rod, Isolated |



RH Lever Assembly No. 125-2687

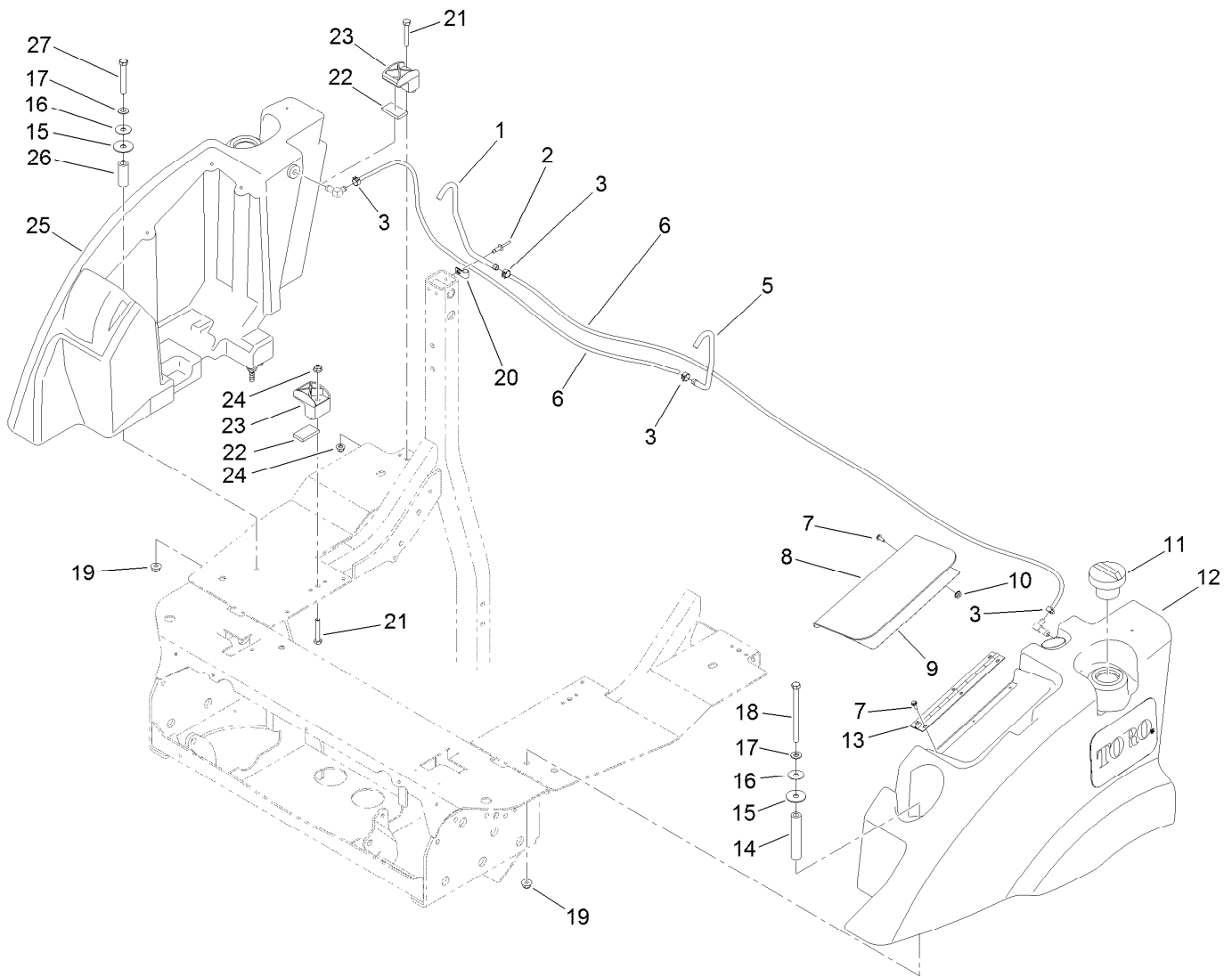
| <i>Ref.</i> | <i>Part Number</i> | <i>Qty.</i> | <i>Description</i> |
|-------------|--------------------|-------------|--------------------------|
| 4 | 121-3399 | 1 | Cap-Switch |
| 5 | 119-4382 | 1 | Harness-Control Handle |
| 6 | 125-2702 | 1 | Switch, Spst (On)-Off-On |
| 7 | 94-4496 | 2 | Screw-PPH |



Control Panel Assembly

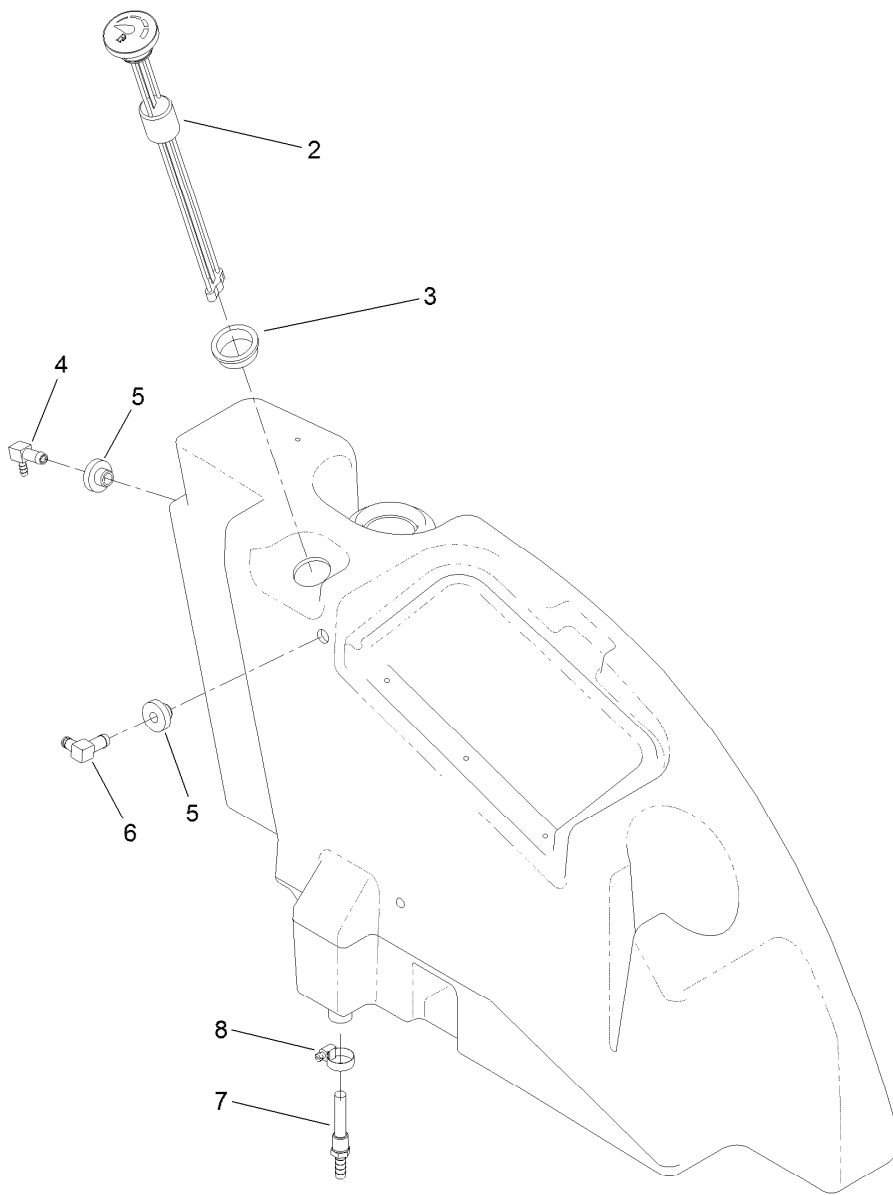
| Ref. | Part Number | Qty. | Description |
|------|-------------|------|----------------------------|
| 1 | 104-2541 | 1 | Ignition Switch ASM |
| 1:1 | 218-461 | 1 | Nut-HH |
| 1:2 | 3254-5 | 1 | Washer-Lock |
| 2 | 110-8254 | 1 | Decal-Start, Control Panel |
| 5 | 63-8360 | 2 | Key-Ignition |
| 6 | 3234-13 | 5 | Screw-HHF |
| 7 | 100-8071 | 1 | Lamp-Warning |
| 8 | 100-8070 | 1 | Lamp-Warning |
| 10 | 233-42 | 1 | Knob |
| 11 | 110-5547 | 1 | Lever-Control |
| 12 | 32105-13 | 5 | Screw-HWH |
| 13 | 120-2244 | 1 | Hourmeter |
| 14 | 110-8253 | 1 | Decal-Panel, Control |

| Ref. | Part Number | Qty. | Description |
|------|-------------|------|--------------------------|
| 15 | 138-8230-03 | 1 | Panel-Control |
| 16 | 3296-2 | 5 | Nut-Lock, NI |
| 17 | 93-9999 | 1 | Switch-PTO |
| 18 | 110-5548 | 1 | Cable-Throttle |
| 19 | 138-8231-03 | 1 | Cover-Panel, Control |
| 20 | 74-5950 | 2 | Latch-Swell |
| 21 | 321-13 | 3 | Screw-HH |
| 22 | 106-9277 | 1 | Module-Control, Standard |
| 23 | 104-7201 | 3 | Nut-HF |
| 24 | 107-9097 | 1 | Controller-Glow |
| 25 | 110-9796 | 1 | Decal-Block, Fuse |
| 26 | 1-804254 | 2 | Nut-Lock, HH |



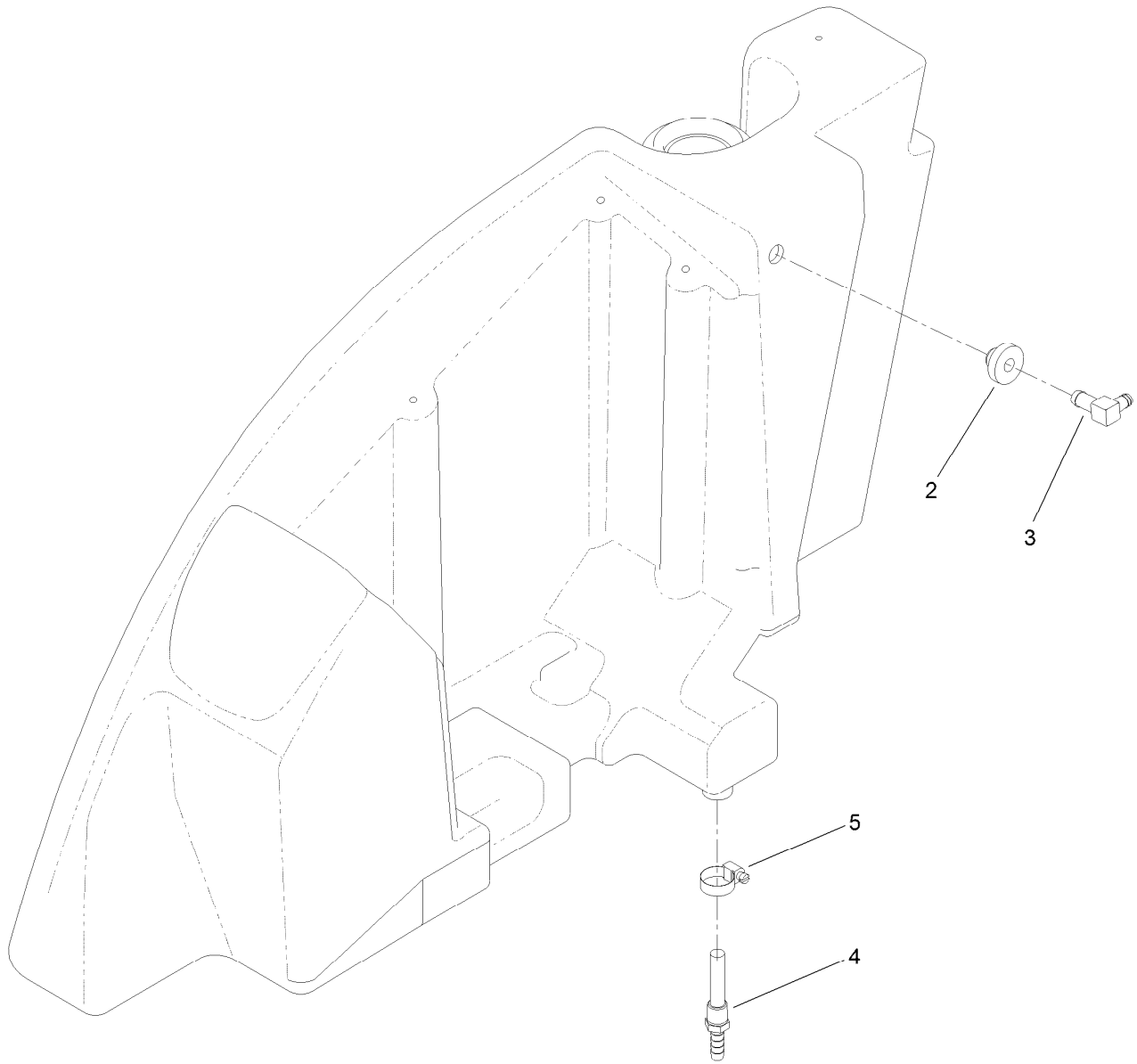
Left-Hand and Right-Hand Fuel Tank Assembly

| Ref. | Part Number | Qty. | Description | Ref. | Part Number | Qty. | Description |
|------|-------------|------|-----------------------------|------|-------------|------|------------------|
| 1 | 110-8260 | 1 | Tube-Vent, RH | 15 | 95-1905 | 2 | Washer-Rubber |
| 2 | 3290-412 | 2 | Rivet-Blind | 16 | 105-6814 | 2 | Washer-Plain |
| 3 | 92-2379 | 4 | Clamp-Hose | 17 | 3256-24 | 2 | Washer-Flat |
| 5 | 110-8261 | 1 | Tube-Vent, LH | 18 | 323-39 | 1 | Screw-HH |
| 6 | 109-0309 | 2 | Hose-Fuel | 19 | 104-8301 | 2 | Nut-HF, NI |
| 7 | 112-6349 | 6 | Screw-HWH | 20 | 2412-89 | 2 | Clamp-R |
| 8 | 110-5540-03 | 1 | Cover-Toolbox | 21 | 322-10 | 4 | Screw-HH |
| 9 | 110-8252 | 1 | Decal-Instructions, Service | 22 | 112-9561 | 4 | Pad-Foam |
| 10 | 32149-8 | 3 | Nut-Keps | 23 | 107-4543 | 4 | Clamp |
| 11 | 115-5305 | 2 | Cap-Fuel | 24 | 104-8300 | 4 | Nut-HF, NI |
| 12 | 110-8230 | 1 | LH Fuel Tank ASM | 25 | 110-8236 | 1 | RH Fuel Tank ASM |
| 13 | 108-2024 | 1 | Hinge | 26 | 92-1239 | 1 | Spacer-Support |
| 14 | 110-5539 | 1 | Spacer | 27 | 323-13 | 1 | Screw-HH |



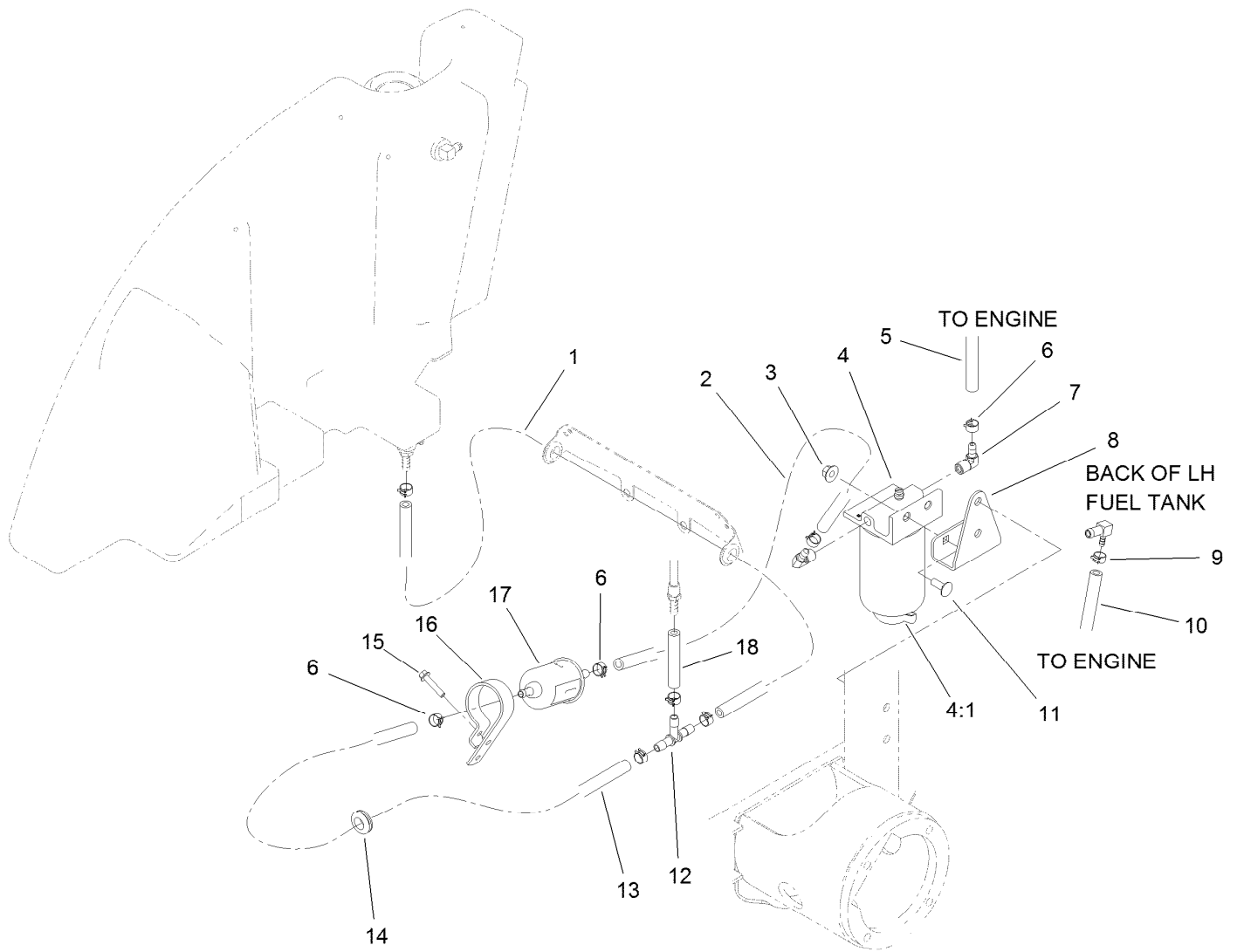
LH Fuel Tank Assembly No. 110-8230

| <i>Ref.</i> | <i>Part Number</i> | <i>Qty.</i> | <i>Description</i> |
|-------------|--------------------|-------------|-----------------------|
| 2 | 110-8262 | 1 | Gauge-Fuel |
| 3 | 95-8972 | 1 | Grommet |
| 4 | 104-5228 | 1 | Fitting-Elbow, 90 DEG |
| 5 | 46-6560 | 2 | Bushing |
| 6 | 1-643259 | 1 | Fitting-Elbow |
| 7 | 112-6374 | 1 | Fitting-Strainer |
| 8 | 2412-36 | 1 | Clamp-Hose |



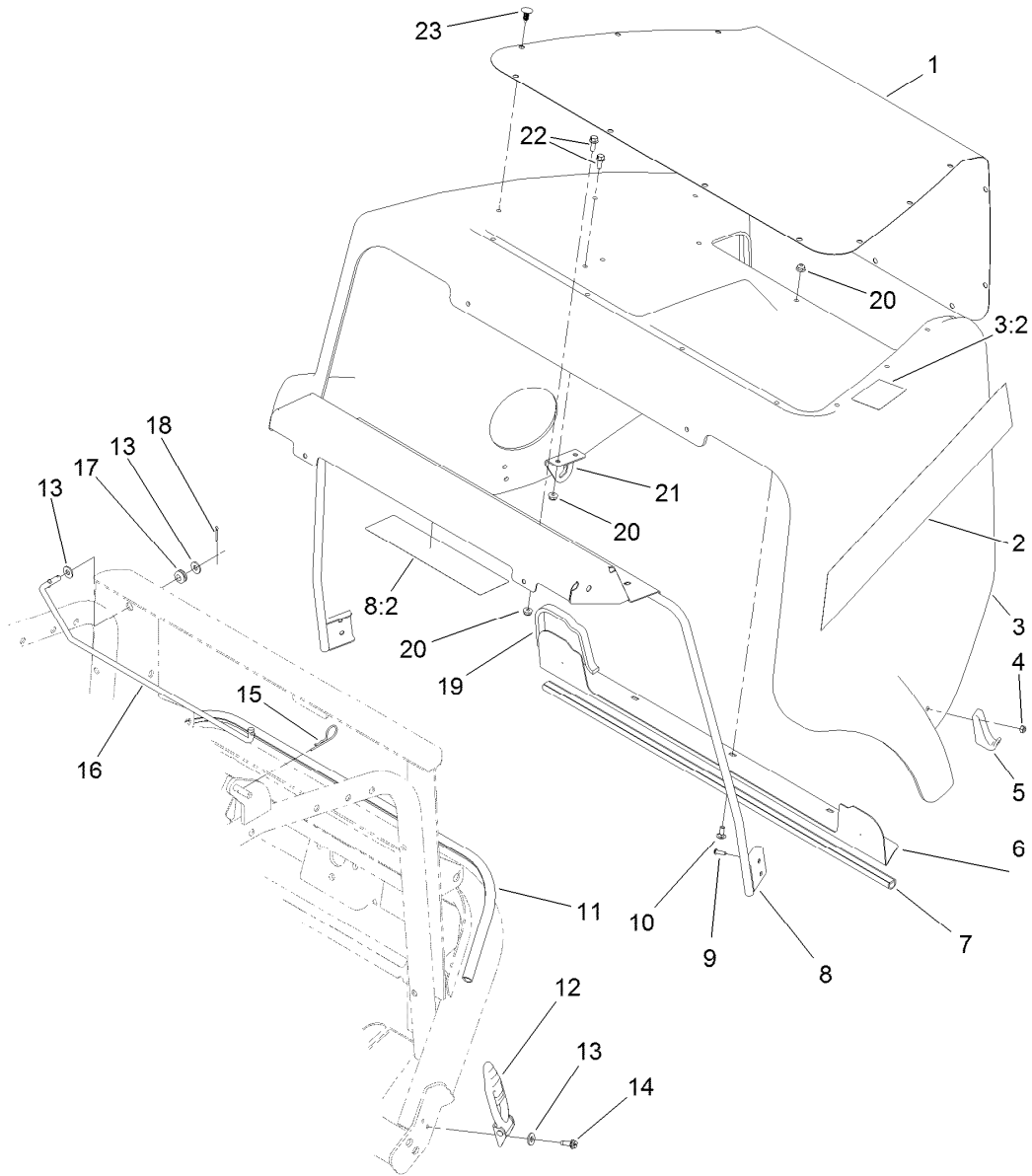
RH Fuel Tank Assembly No. 110-8236

| <i>Ref.</i> | <i>Part Number</i> | <i>Qty.</i> | <i>Description</i> |
|-------------|--------------------|-------------|--------------------|
| 2 | 46-6560 | 1 | Bushing |
| 3 | 1-643259 | 1 | Fitting-Elbow |
| 4 | 112-6374 | 1 | Fitting-Strainer |
| 5 | 2412-36 | 1 | Clamp-Hose |



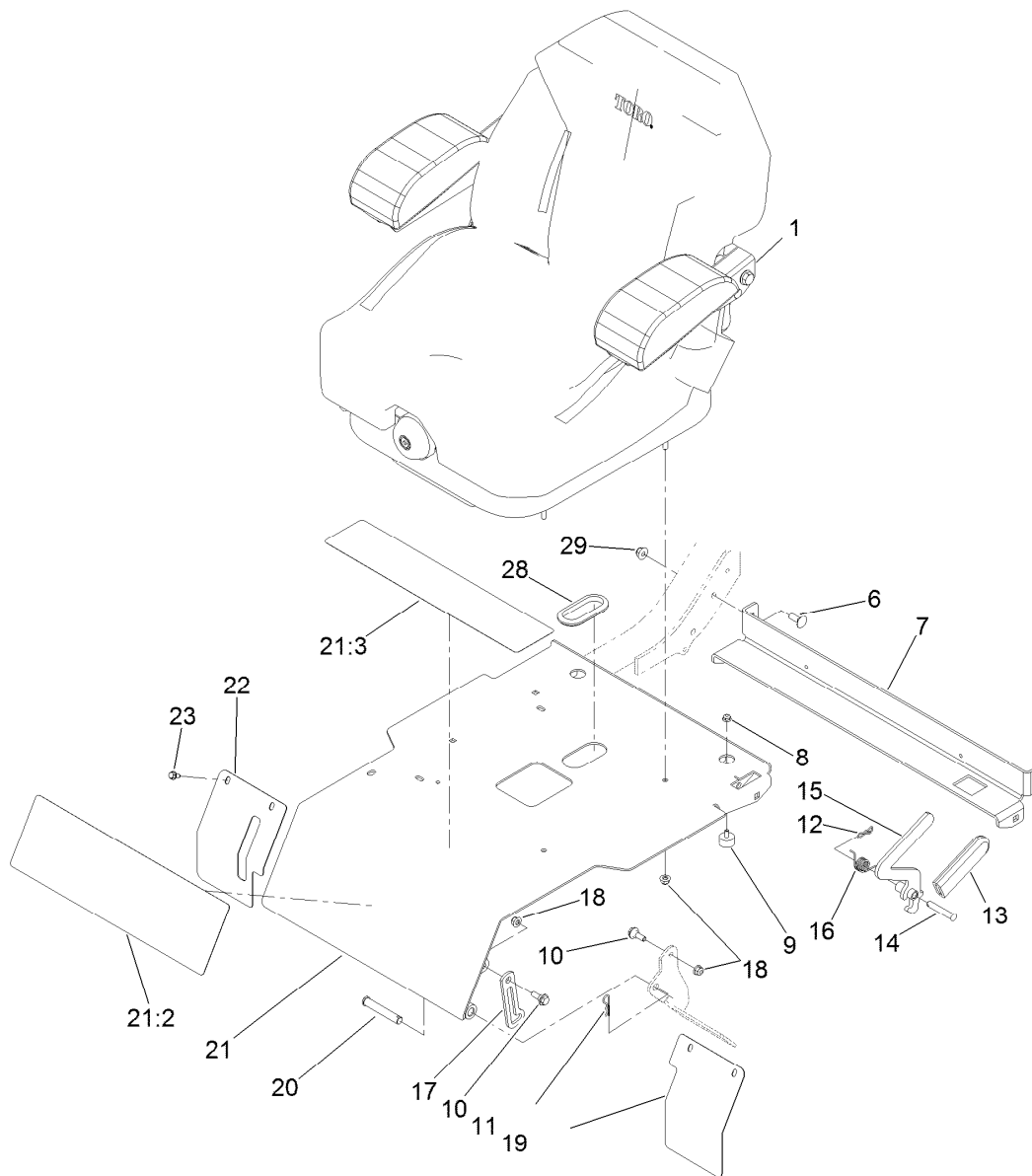
Fuel Filter / Separator Assembly

| <i>Ref.</i> | <i>Part Number</i> | <i>Qty.</i> | <i>Description</i> | <i>Ref.</i> | <i>Part Number</i> | <i>Qty.</i> | <i>Description</i> |
|-------------|--------------------|-------------|--------------------|-------------|--------------------|-------------|--------------------|
| 1 | 110-6186 | 1 | Hose-Fuel | 10 | 110-8255 | 1 | Hose-Fuel |
| 2 | 110-8752 | 1 | Hose-Fuel | 11 | 3230-10 | 2 | Bolt-CARR |
| 3 | 32128-44 | 2 | Nut | 12 | 354-107 | 1 | Fitting-HYD, Tee |
| 4 | 110-9044 | 1 | Separator-Filter | 13 | 114-4028 | 1 | Hose-Fuel |
| 4:1 | 110-9049 | 1 | Filter-Spin On | 14 | 32180-030 | 1 | Clip-Tie |
| 5 | 110-4104 | 1 | Hose-Fuel | 15 | 32144-110 | 1 | Screw-HWH |
| 6 | 92-2379 | 10 | Clamp-Hose | 16 | 110-8817 | 1 | Bracket-Pump, Fuel |
| 7 | 353-781 | 2 | Fitting-HYD, 90 | 17 | 110-8806 | 1 | Pump-Fuel |
| 8 | 114-4058-03 | 1 | Mount-Separator | 18 | 112-6388 | 1 | Hose-Fuel |
| 9 | 2412-80 | 2 | Clamp-Hose | | | | |



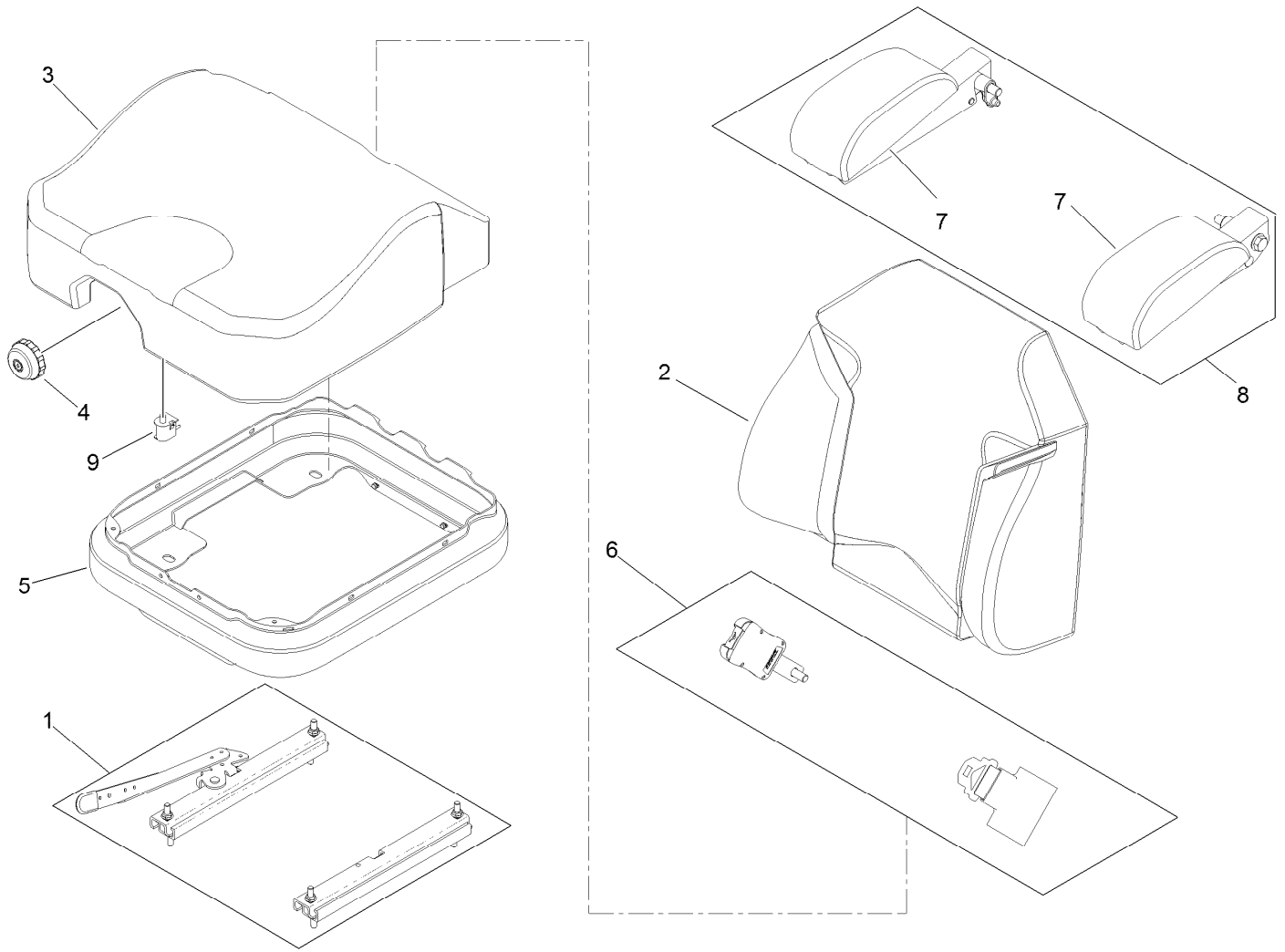
Hood and Screen Assembly

| <i>Ref.</i> | <i>Part Number</i> | <i>Qty.</i> | <i>Description</i> | <i>Ref.</i> | <i>Part Number</i> | <i>Qty.</i> | <i>Description</i> |
|-------------|--------------------|-------------|--------------------|-------------|--------------------|-------------|--------------------|
| 1 | 115-1446-03 | 1 | Screen-Intake | 12 | 103-2898 | 2 | Latch-Rubber |
| 2 | 110-5544 | 2 | Decal-Hood | 13 | 3256-2 | 4 | Washer-Flat |
| 3 | 112-6311 | 1 | Hood ASM | 14 | 32104-95 | 2 | Screw-HWH |
| 3:2 | 106-6754 | 1 | Decal-Danger | 15 | 3290-255 | 1 | Pin-Cotter, Hair |
| 4 | 3296-2 | 4 | Nut-Lock, NI | 16 | 110-8291 | 1 | Rod-Prop, Hood |
| 5 | 103-2897 | 2 | Latch-Catch | 17 | 237-136 | 1 | Grommet |
| 6 | 110-8285-03 | 1 | Angle-Seal | 18 | 3272-6 | 1 | Pin-Cotter |
| 7 | 110-8287 | 1 | Bulb-Seal | 19 | 110-8288 | 2 | Seal-Foam |
| 8 | 110-9795 | 1 | Support-Hood | 20 | 104-7201 | 11 | Nut-HF |
| 8:2 | 110-9781 | 1 | Decal-Danger | 21 | 108-9811 | 1 | Support-Rod, Prop |
| 9 | 3274-39 | 4 | Screw-HSBH | 22 | 3234-33 | 8 | Screw-HHF |
| 10 | 3229-11 | 3 | Screw-CARR | 23 | 117-2382 | 17 | Plug-Plastic |
| 11 | 112-1694 | 1 | Seal-Bulb | | | | |



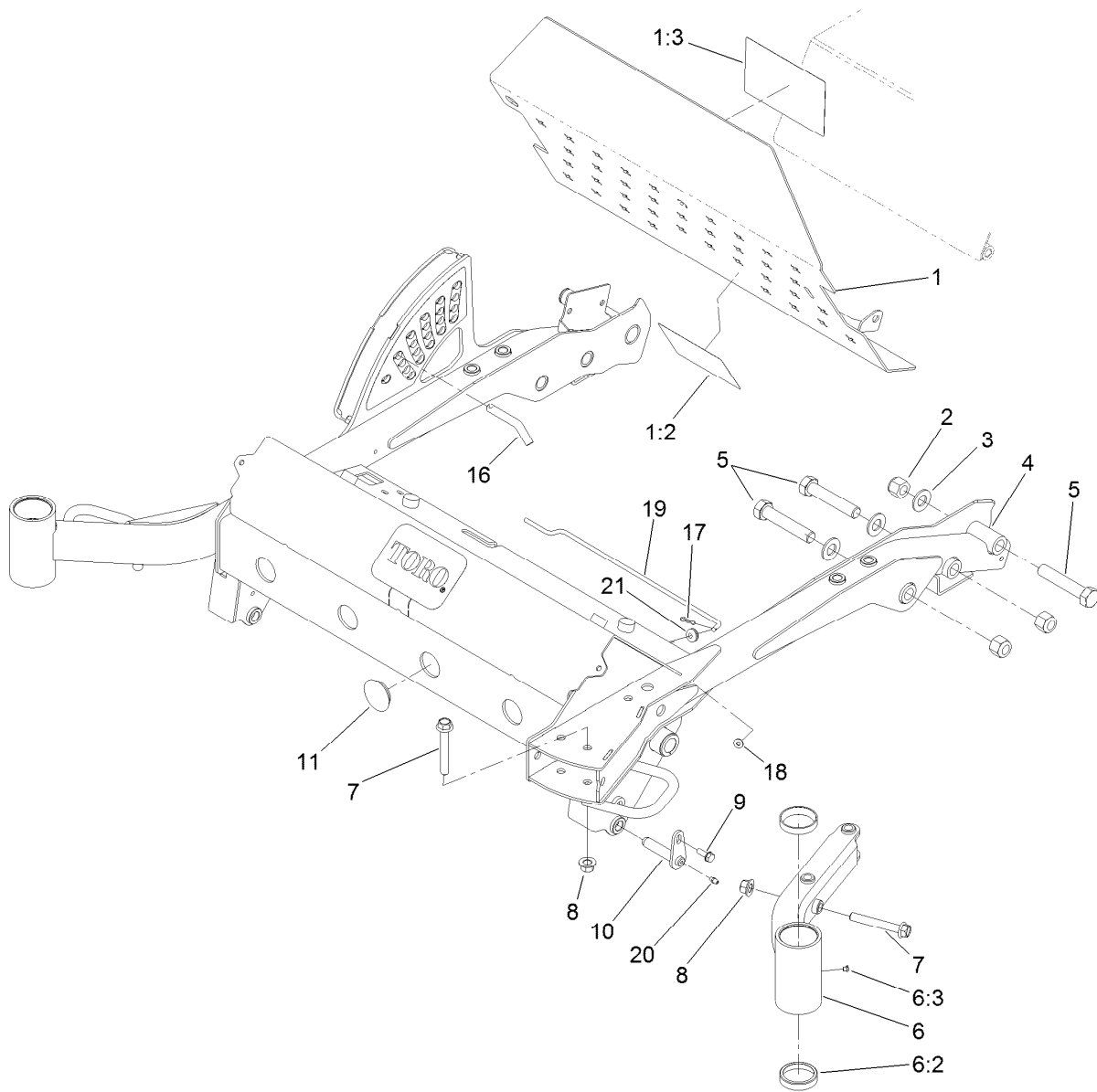
Seat and Seat Plate Assembly

| <i>Ref.</i> | <i>Part Number</i> | <i>Qty.</i> | <i>Description</i> | <i>Ref.</i> | <i>Part Number</i> | <i>Qty.</i> | <i>Description</i> |
|-------------|--------------------|-------------|---------------------|-------------|--------------------|-------------|-------------------------|
| 1 | 125-3107 | 1 | Suspension Seat ASM | 17 | 130-8754 | 1 | Prop-Seat |
| 6 | 3231-2 | 4 | Bolt-CARR | 18 | 104-8300 | 6 | Nut-HF, NI |
| 7 | 120-0095-03 | 1 | Support-Seat | 19 | 130-8767-03 | 1 | Cover-LH |
| 8 | 104-7201 | 2 | Nut-HF | 20 | 283-55 | 2 | Pin-Clevis |
| 9 | 240-14 | 2 | Bumper-Rubber | 21 | 130-8749 | 1 | Seat Plate ASM |
| 10 | 116-2670 | 2 | Screw-Shoulder | 21:2 | 120-9195 | 1 | Decal-Safety |
| 11 | 3290-467 | 2 | Pin-Hair | 21:3 | 120-9196 | 1 | Decal-Console, Top (CE) |
| 12 | 119-1415 | 1 | Pin-Cotter, Locking | 22 | 130-8768-03 | 1 | Cover-RH |
| 13 | 1-633268 | 1 | Grip-Lever | 23 | 32144-10 | 4 | Screw-HWH |
| 14 | 86-2130 | 1 | Pin-Clevis | 28 | 237-164 | 1 | Grommet |
| 15 | 121-3390-03 | 1 | Lever-Seat | 29 | 104-8301 | 4 | Nut-HF, NI |
| 16 | 121-3386 | 1 | Spring-Torsion | | | | |



Seat Assembly No. 125-3107

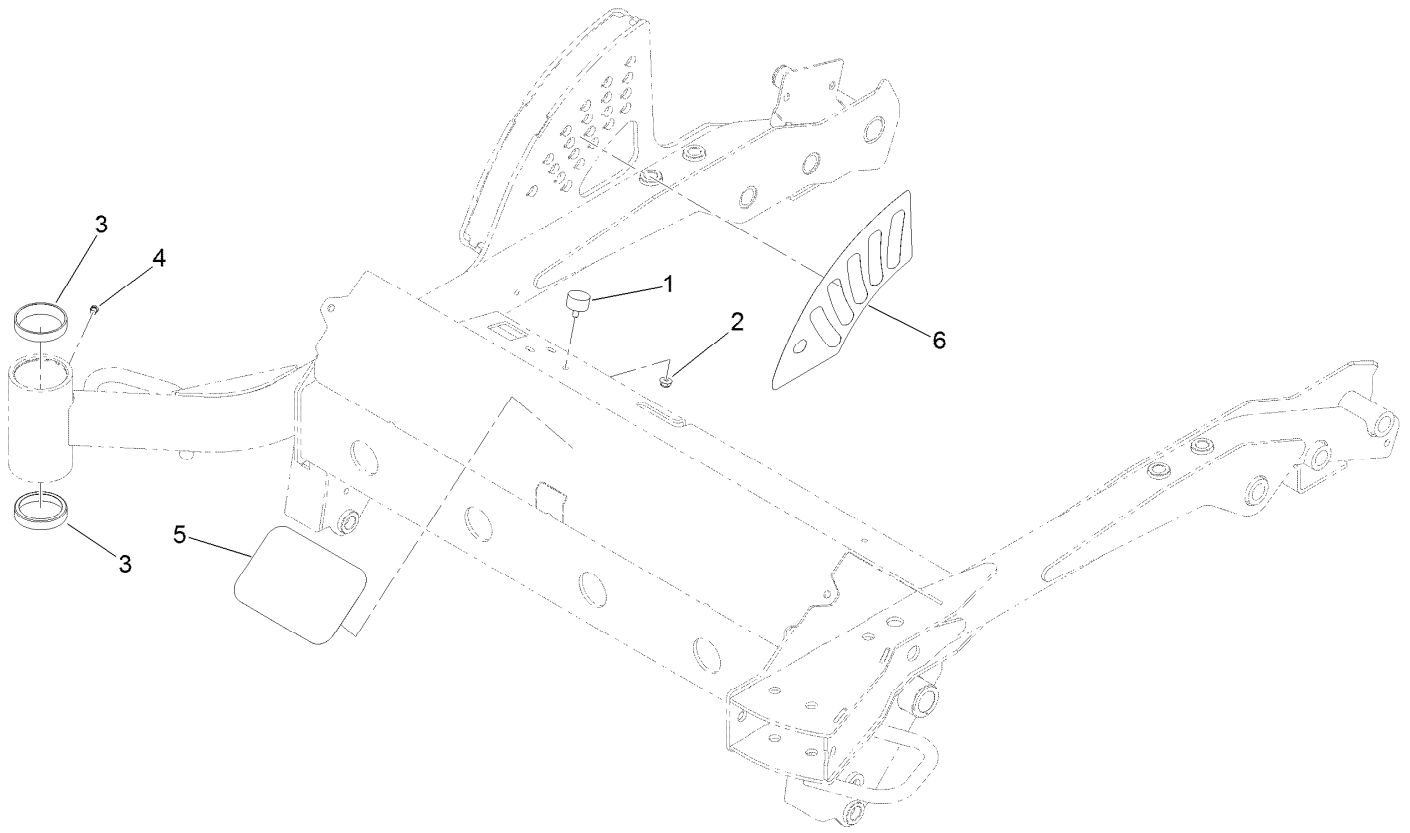
| <i>Ref.</i> | <i>Part Number</i> | <i>Qty.</i> | <i>Description</i> |
|-------------|--------------------|-------------|--------------------------|
| 1 | 116-8910 | 1 | Seat Track Set |
| 2 | 125-3112 | 1 | Cover-Back |
| 3 | 125-3111 | 1 | Cover-Cushion |
| 4 | 116-8911 | 1 | Knob-Adjuster |
| 5 | 116-5659 | 1 | Cover-Suspension Bellows |
| 6 | 126-2061 | 1 | Seat Belt Service Kit |
| 7 | 109-9802 | 1 | Arm Rest Pad Set |
| 8 | 109-9803 | 1 | Arm Rest Set |
| 9 | 82-2190 | 1 | Switch-Bail |



Floorplate and Carrier Frame Assembly

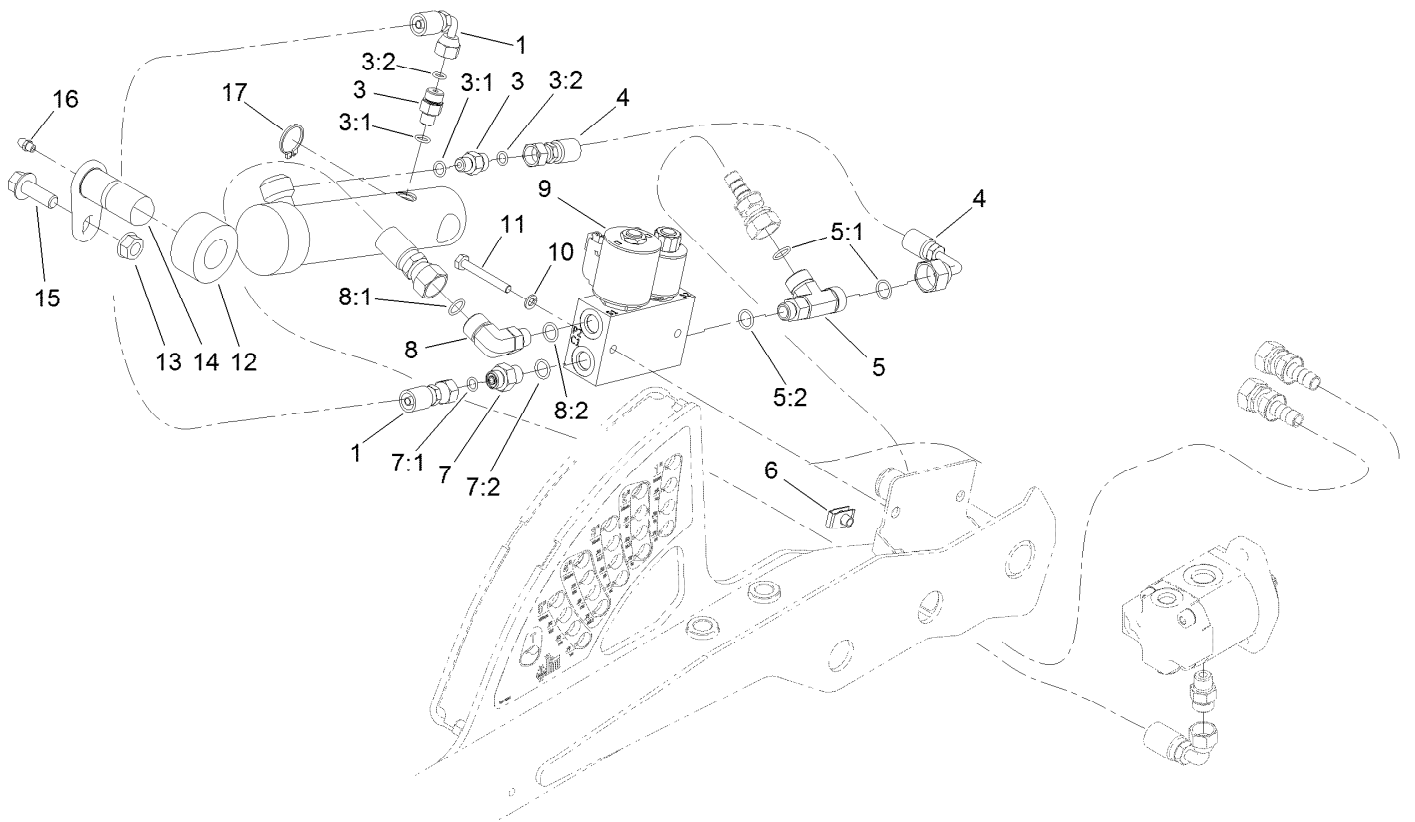
| Ref. | Part Number | Qty. | Description |
|------|-------------|------|----------------------|
| 1 | 120-9165 | 1 | Floorplate ASM |
| 1:2 | 112-1461 | 1 | Decal-Routing, Belt |
| 1:3 | 107-1866 | 1 | Decal-Danger, Slope |
| 2 | 3296-51 | 5 | Nut-Lock, NI |
| 3 | 92-5836 | 5 | Washer |
| 4 | 136-4466 | 1 | Carrier Frame ASM |
| 5 | 328-7 | 5 | Screw-HH |
| 6 | 121-3340 | 1 | Castor Arm ASM |
| 6:2 | 254-107 | 2 | Cup-Bearing, Tapered |
| 6:3 | 1-811010 | 1 | Plug |
| 7 | 114-8419 | 3 | Screw-HHF |

| Ref. | Part Number | Qty. | Description |
|------|-------------|------|---------------------|
| 8 | 99-5107 | 3 | Nut-Lock |
| 9 | 32144-41 | 2 | Screw-Taptite |
| 10 | 112-1602 | 2 | Pin-Retainer |
| 11 | 121-3397 | 4 | Plug-Grommet |
| 16 | 112-9544 | 1 | Pin-HOC |
| 17 | 119-1414 | 1 | Pin-Cotter, Locking |
| 18 | 3256-22 | 1 | Washer-Flat |
| 19 | 110-9847 | 1 | Rod-Prop |
| 20 | 302-5 | 2 | Fitting-Grease |
| 21 | 237-141 | 1 | Grommet-Rubber |



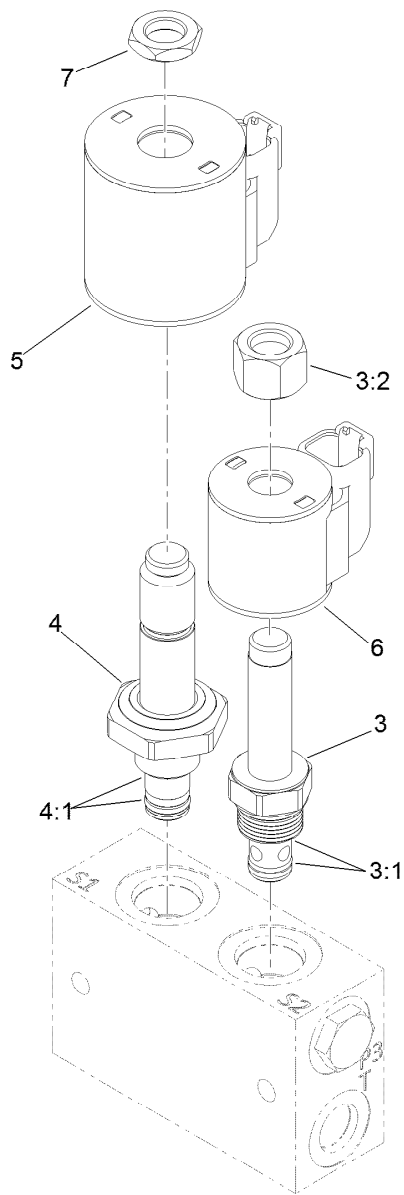
Carrier Frame Assembly No. 136-4466

| <i>Ref.</i> | <i>Part Number</i> | <i>Qty.</i> | <i>Description</i> |
|-------------|--------------------|-------------|----------------------|
| 1 | 240-14 | 4 | Bumper-Rubber |
| 2 | 104-7201 | 4 | Nut-HF |
| 3 | 254-107 | 2 | Cup-Bearing, Tapered |
| 4 | 1-811010 | 1 | Plug |
| 5 | 99-4693 | 1 | Decal |
| 6 | 127-6519 | 1 | Decal-HOC |



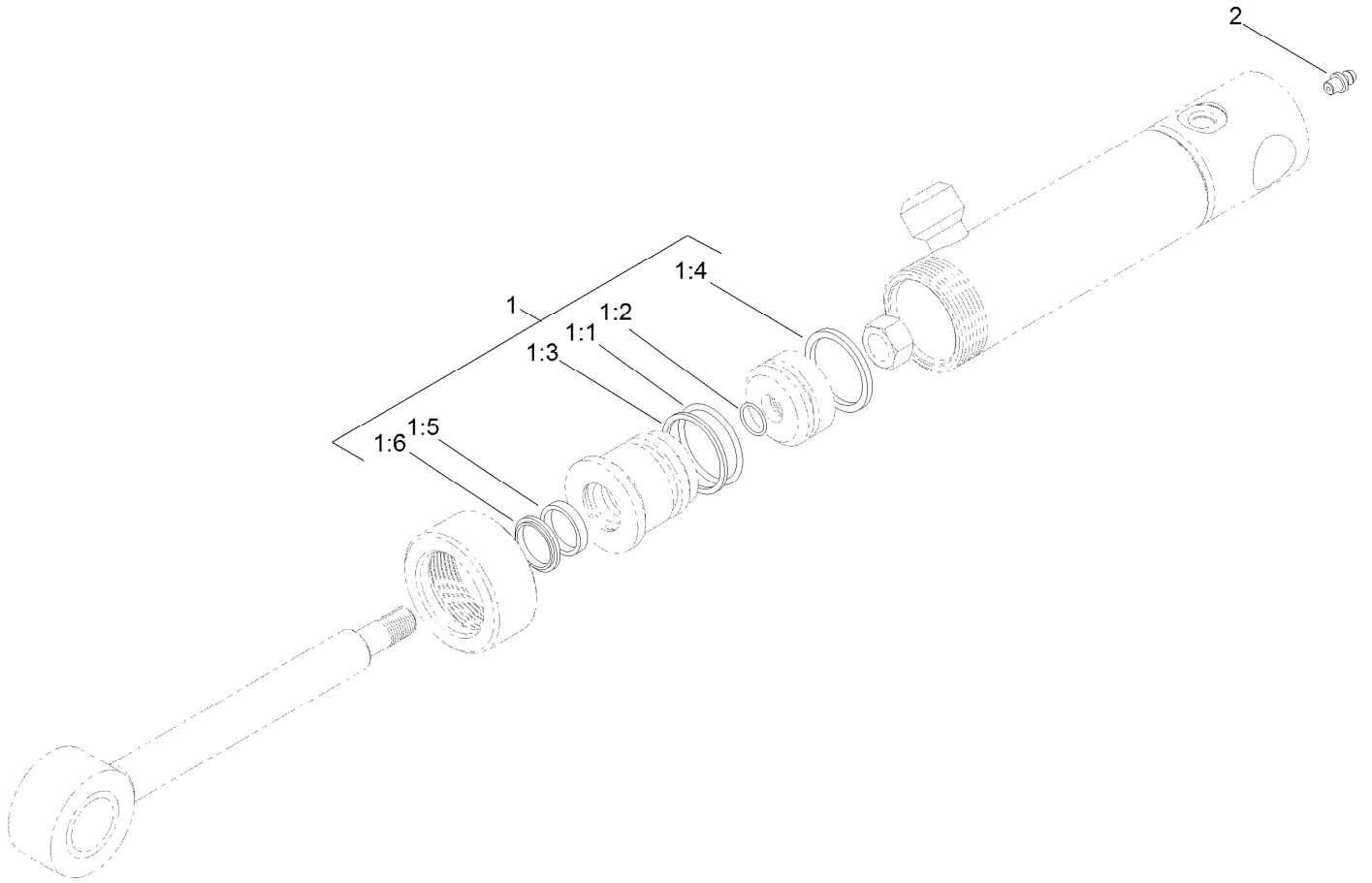
Lift Valve and Cylinder Assembly

| <i>Ref.</i> | <i>Part Number</i> | <i>Qty.</i> | <i>Description</i> | <i>Ref.</i> | <i>Part Number</i> | <i>Qty.</i> | <i>Description</i> |
|-------------|--------------------|-------------|--------------------|-------------|--------------------|-------------|---------------------|
| 1 | 127-4908 | 1 | Hose-HYD | 8 | 340-99 | 1 | Fitting-HYD, 90 DEG |
| 3 | 340-92 | 2 | Fitting-Straight | 8:1 | 237-30 | 1 | O-Ring |
| 3:1 | 237-78 | 1 | O-Ring | 8:2 | 237-42 | 1 | O-Ring |
| 3:2 | 237-21 | 1 | O-Ring | 9 | 131-1934 | 1 | Deck Lift Valve ASM |
| 4 | 127-4909 | 1 | Hose-HYD | 10 | 3253-3 | 2 | Washer-Lock |
| 5 | 110-0064 | 1 | Fitting-Tee | 11 | 321-11 | 2 | Screw-HH |
| 5:1 | 237-30 | 2 | O-Ring | 12 | 110-9834 | 1 | HYD Cylinder ASM |
| 5:2 | 237-42 | 1 | O-Ring | 13 | 32128-37 | 1 | Nut-HF |
| 6 | 107069 | 2 | Clip | 14 | 125-1910 | 1 | Pin-Pivot |
| 7 | 340-1 | 1 | Fitting-Straight | 15 | 3234-15 | 1 | Screw-HHF |
| 7:1 | 237-21 | 1 | O-Ring | 16 | 302-5 | 1 | Fitting-Grease |
| 7:2 | 237-42 | 1 | O-Ring | 17 | 32151-36 | 1 | Ring-Retaining |



Valve Assembly No. 131-1934

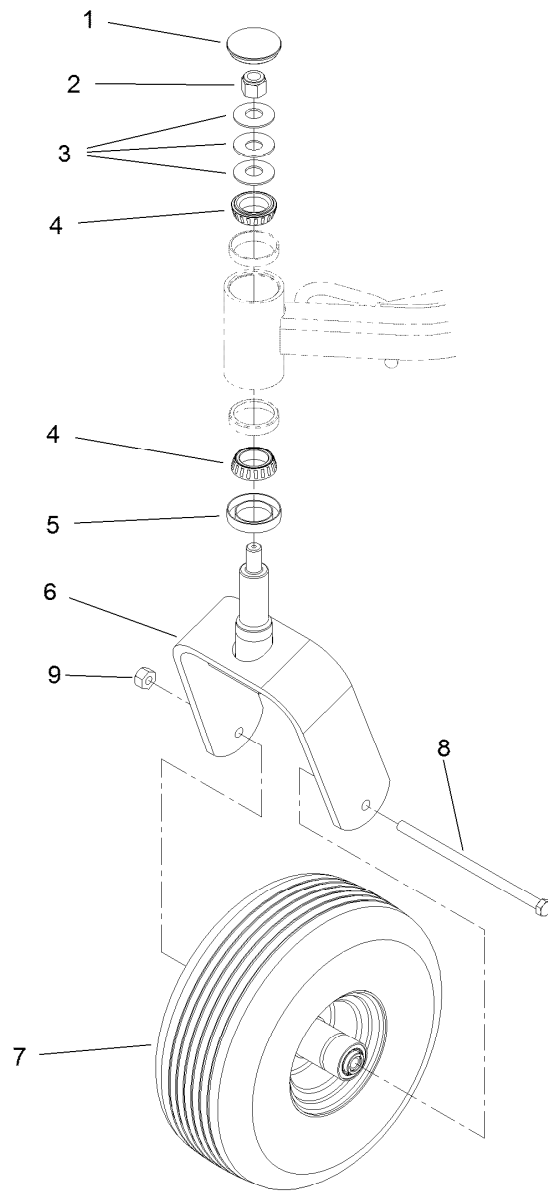
| <i>Ref.</i> | <i>Part Number</i> | <i>Qty.</i> | <i>Description</i> |
|-------------|--------------------|-------------|--------------------|
| 3 | 107-7517 | 1 | Valve-Solenoid |
| 3:1 | 105-9156 | 1 | Seal Kit |
| 3:2 | 107-7812 | 1 | Nut-Solenoid |
| 4 | 131-1935 | 1 | Valve-Solenoid |
| 4:1 | 107-7527 | 1 | Seal Kit |
| 5 | 115-3021 | 1 | Coil-12V |
| 6 | 119-8036 | 1 | Coil |
| 7 | 110-2634 | 1 | Nut-Coil |



Hydraulic Cylinder Assembly No. 110-9834

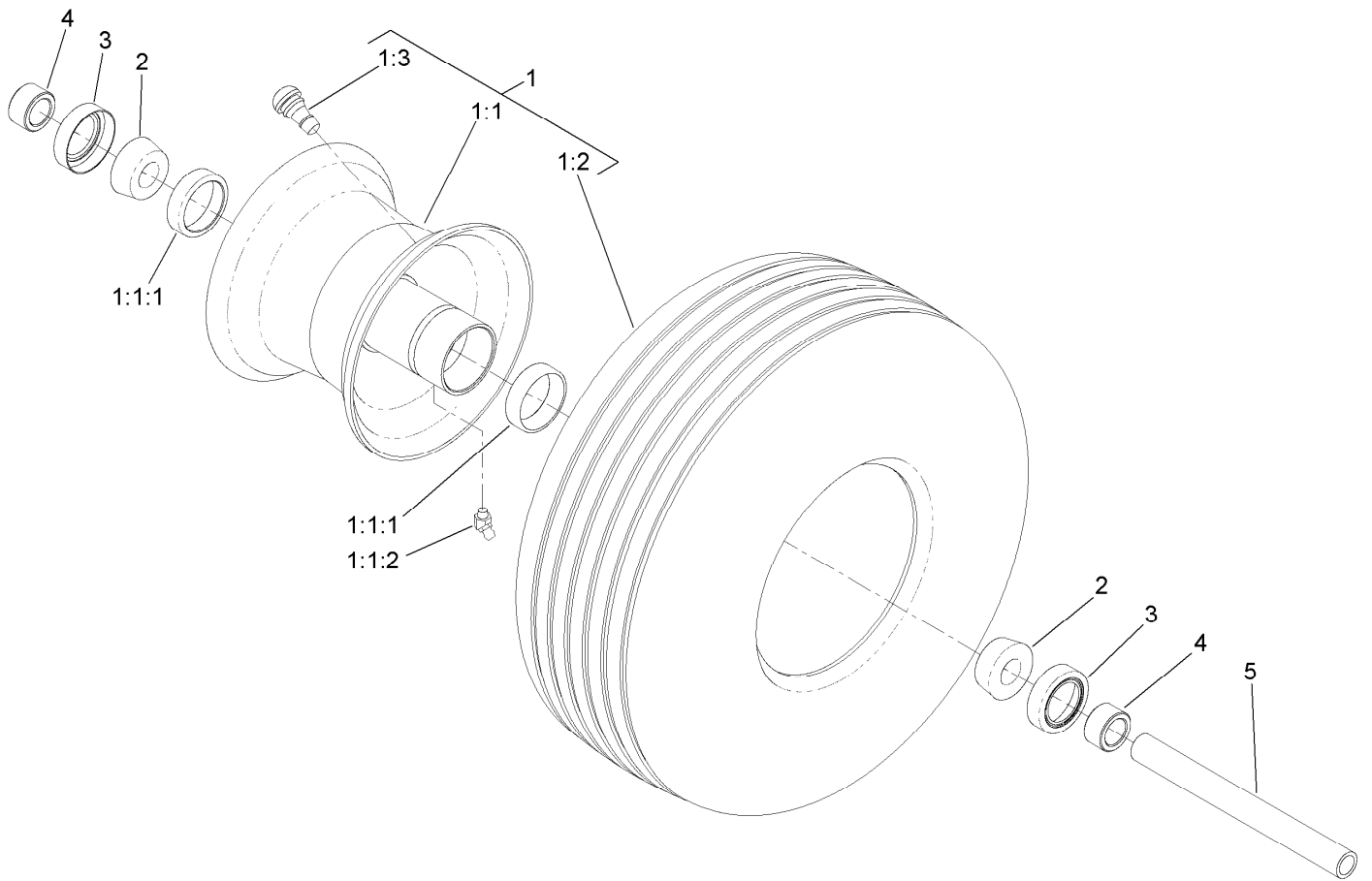
| <i>Ref.</i> | <i>Part Number</i> | <i>Qty.</i> | <i>Description</i> |
|-------------|--------------------|-------------|--------------------|
| 1 | 112-6353 | 1 | Seal Kit |
| 1:1 | | 1 | O-Ring ● |
| 1:2 | | 1 | O-Ring ● |
| 1:3 | | 1 | Backup ● |
| 1:4 | | 1 | Seal-Bp ● |
| 1:5 | | 1 | Seal-Rod ● |
| 1:6 | | 1 | Seal-Dust ● |
| 2 | 302-60 | 1 | Fitting-Grease |

● Not serviced separately



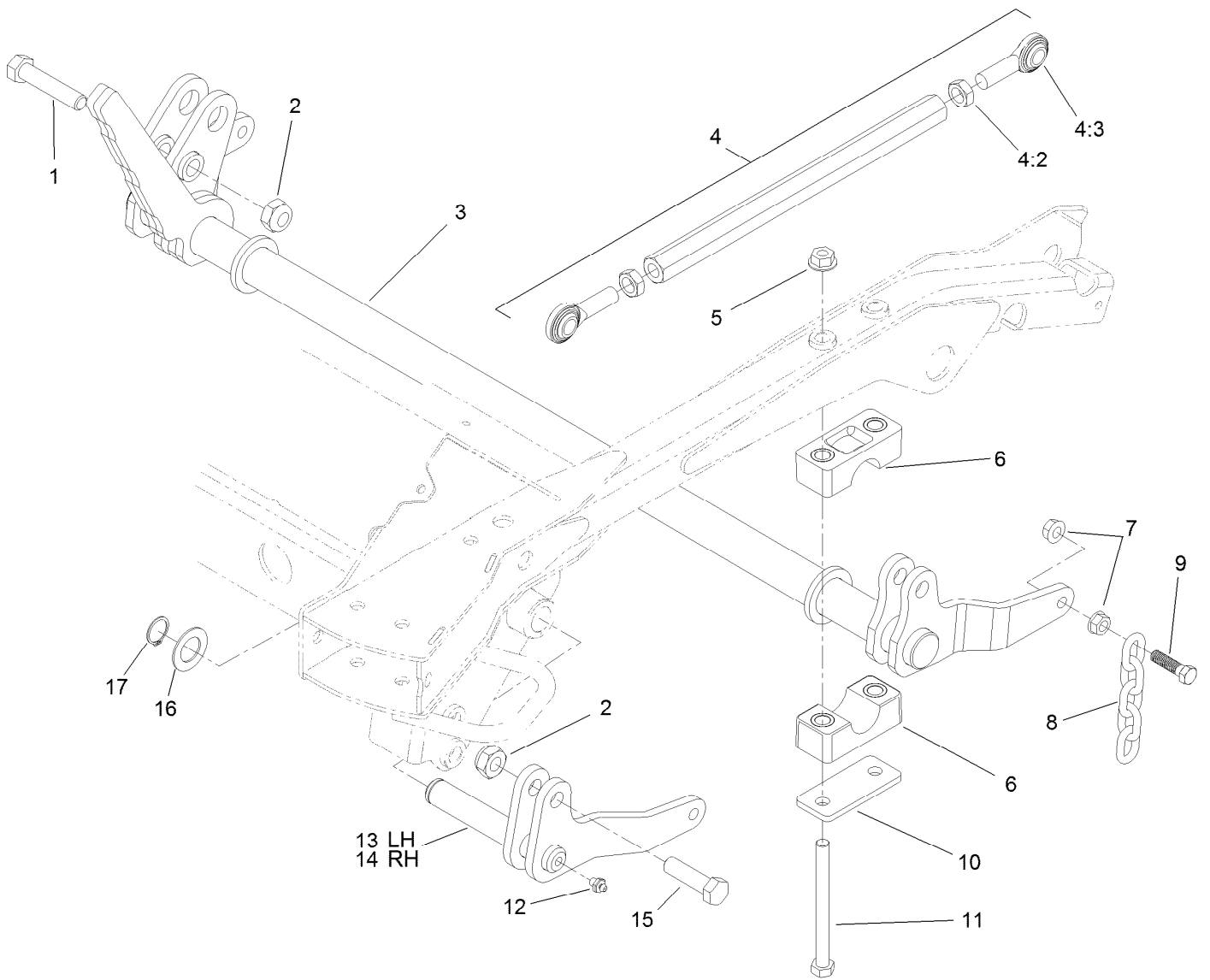
Caster Wheel Assembly

| <i>Ref.</i> | <i>Part Number</i> | <i>Qty.</i> | <i>Description</i> |
|-------------|--------------------|-------------|-----------------------|
| 1 | 108-9950 | 2 | Cap-Grease |
| 2 | 3296-51 | 2 | Nut-Lock, NI |
| 3 | 108-9957 | 6 | Washer-Belleville |
| 4 | 254-106 | 4 | Cone-Bearing, Tapered |
| 5 | 69-2980 | 2 | Seal |
| 6 | 108-9946-03 | 2 | Fork-Caster |
| 7 | 133-4723 | 2 | Caster Wheel ASM |
| 8 | 325-39 | 2 | Screw-HH |
| 9 | 3296-25 | 2 | Nut-Lock, NI |



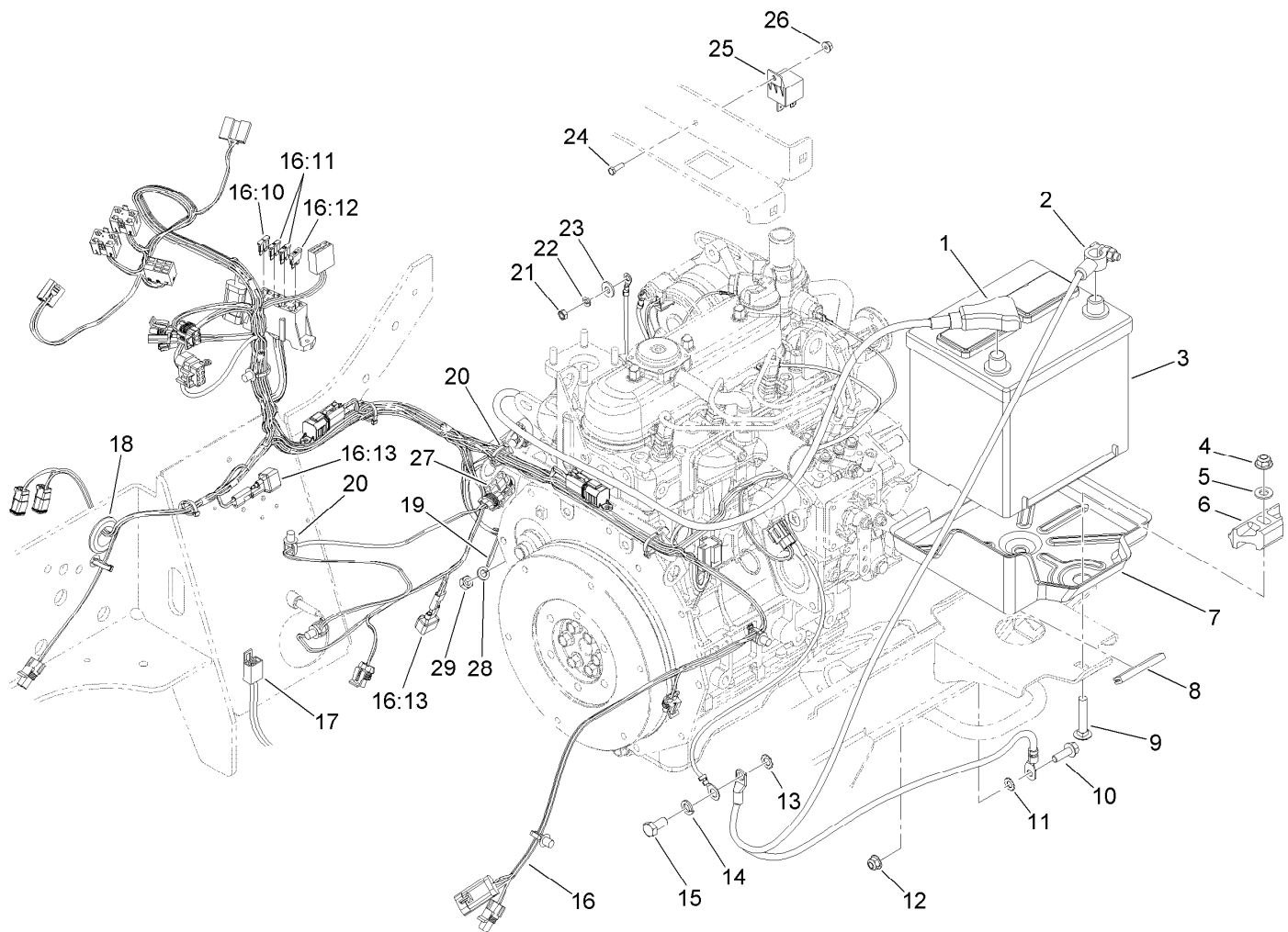
Caster Wheel Assembly No. 133-4723

| <i>Ref.</i> | <i>Part Number</i> | <i>Qty.</i> | <i>Description</i> |
|-------------|--------------------|-------------|----------------------|
| 1 | 133-4730 | 1 | Tire And Wheel ASM |
| 1:1 | 133-4725 | 1 | Wheel |
| 1:1:1 | 1-633584 | 2 | Bearing-Cup |
| 1:1:2 | 302-11 | 1 | Fitting-Lube, 45 DEG |
| 1:2 | 133-4724 | 1 | Tire |
| 1:3 | 5108 | 1 | Valve |
| 2 | 1-633585 | 2 | Bearing-Cone, Taper |
| 3 | 1-633580 | 2 | Seal-Bearing |
| 4 | 1-633581 | 2 | Spacer-Bearing |
| 5 | 138-1933 | 1 | Spacer, Front Caster |



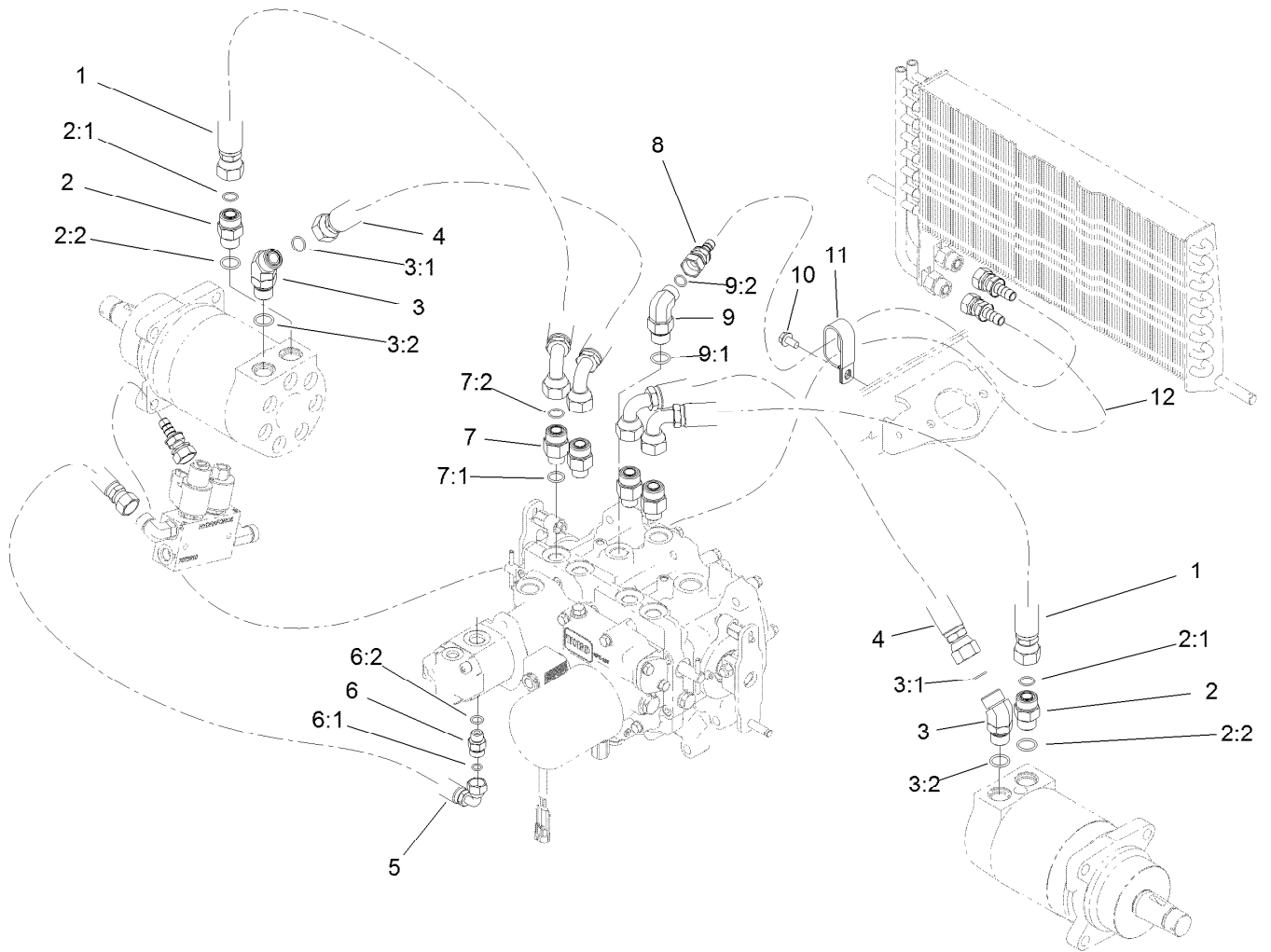
Deck Lift Assembly

| Ref. | Part Number | Qty. | Description | Ref. | Part Number | Qty. | Description |
|------|-------------|------|---------------------|------|-------------|------|----------------|
| 1 | 104-5895 | 1 | Screw-HH | 9 | 103-1898 | 4 | Screw-HH |
| 2 | 3296-61 | 4 | Nut-Lock | 10 | 117-2903 | 2 | Plate-Bearing |
| 3 | 117-9220-03 | 1 | Shaft-Lift | 11 | 325-22 | 4 | Screw-HH |
| 4 | 114-4059 | 2 | Link ASM | 12 | 302-2 | 2 | Fitting-Grease |
| 4:2 | 3220-6 | 2 | Nut-Jam | 13 | 110-9818-03 | 1 | Lift-LH |
| 4:3 | 1-633029 | 2 | Balljoint-Spherical | 14 | 110-9820-03 | 1 | Lift-RH |
| 5 | 32128-49 | 4 | Nut-HHF | 15 | 327-22 | 3 | Screw-HH |
| 6 | 115-0491 | 4 | Cap-Bearing | 16 | 69-9010 | 2 | Washer |
| 7 | 32128-37 | 8 | Nut-HF | 17 | 32151-29 | 2 | Ring-Retaining |
| 8 | 1-633447 | 4 | Chain-Lift, Deck | | | | |



Electrical Assembly

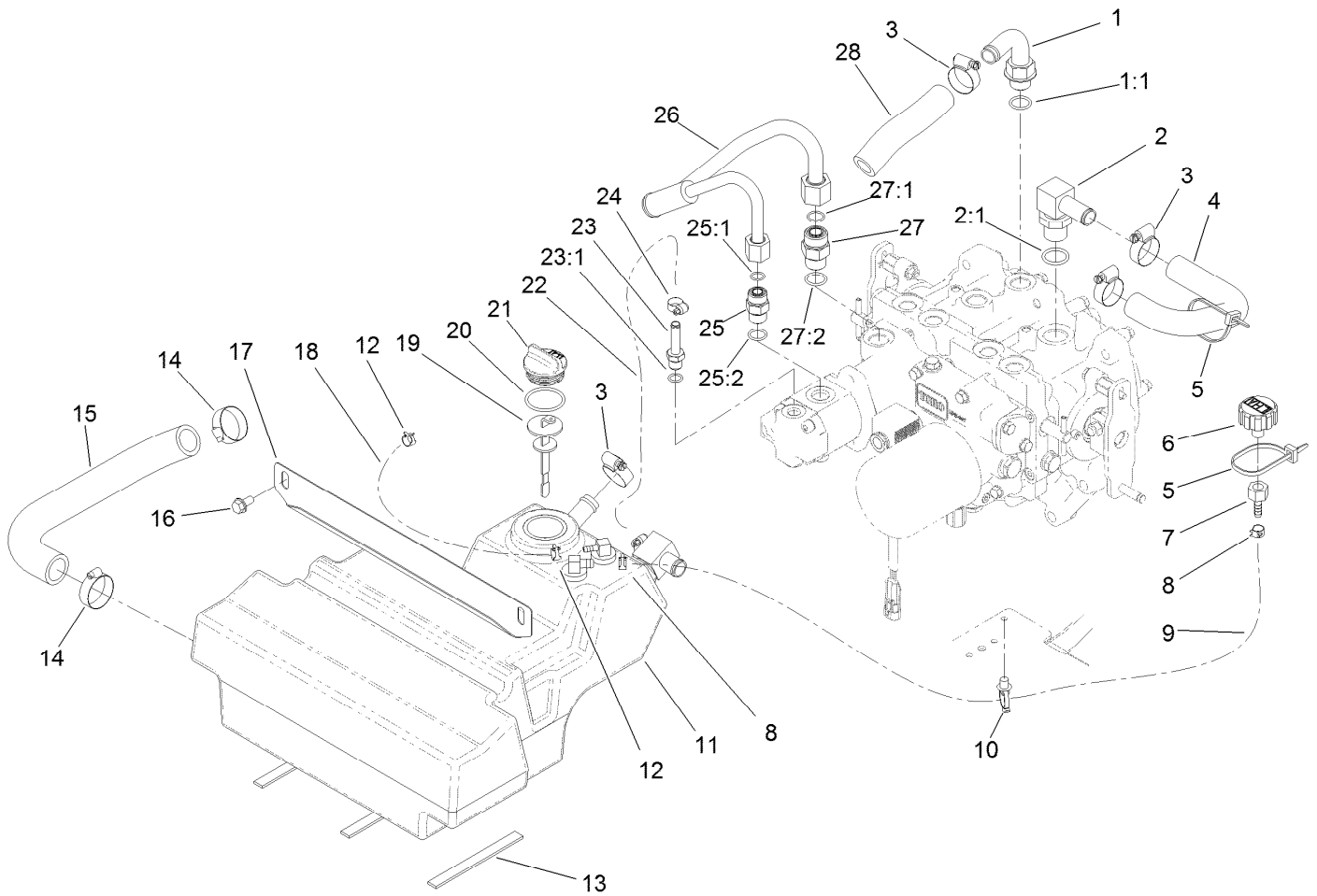
| Ref. | Part Number | Qty. | Description | Ref. | Part Number | Qty. | Description |
|-------|-------------|------|-------------------------|-------|-------------|------|----------------------------|
| 1 | 119-1796 | 1 | Cable-Battery, Positive | 16:11 | 218-578 | 2 | Fuse-Blade, 10 Amp |
| 2 | 105-0040 | 1 | Cable-Battery, Negative | 16:12 | 109355 | 1 | Fuse-Blade, 15 Amp |
| 3 | 106-5187 | 1 | Battery-Dry | 16:13 | 100-4918 | 2 | Diode |
| 4 | 104-8301 | 1 | Nut-HF, NI | 17 | 108-8657 | 1 | Harness-Wire, Seat |
| 5 | 3256-24 | 1 | Washer-Flat | 18 | 237-165 | 1 | Grommet |
| 6 | 138-6335 | 1 | Retainer-Battery | 19 | 3290-378 | 2 | Tie-Cable |
| 7 | 133-4913 | 1 | Tray-Battery | 20 | 32180-030 | 2 | Clip-Tie |
| 8 | 110-8276 | 1 | Trim-Hold Down, Battery | 21 | 33013-00 | 1 | Nut-Hex |
| 9 | 3231-6 | 1 | Screw-CARR | 22 | 43-5930 | 1 | Washer-Lock, Spring |
| 10 | 3234-17 | 1 | Screw-HHF | 23 | 3256-2 | 1 | Washer-Flat |
| 11 | 3255-8 | 1 | Washer-Lock | 24 | 3290-134 | 1 | Screw |
| 12 | 104-8300 | 1 | Nut-HF, NI | 25 | 99-7435 | 1 | Relay |
| 13 | 3255-9 | 1 | Washer-Lock | 26 | 3290-148 | 1 | Nut-HF |
| 14 | 48-9590 | 1 | Washer-Lock | 27 | 99-3441 | 1 | Harness-Wire, Fusible Link |
| 15 | 63-7790 | 1 | Screw-Cap | 28 | 3253-4 | 1 | Washer-Lock |
| 16 | 122-1414 | 1 | Harness-Wire | 29 | 33014-00 | 1 | Nut-Hex |
| 16:10 | 94-6710 | 1 | Fuse-2 Amp | | | | |



Transmission and Oil Cooler Hydraulic Assembly

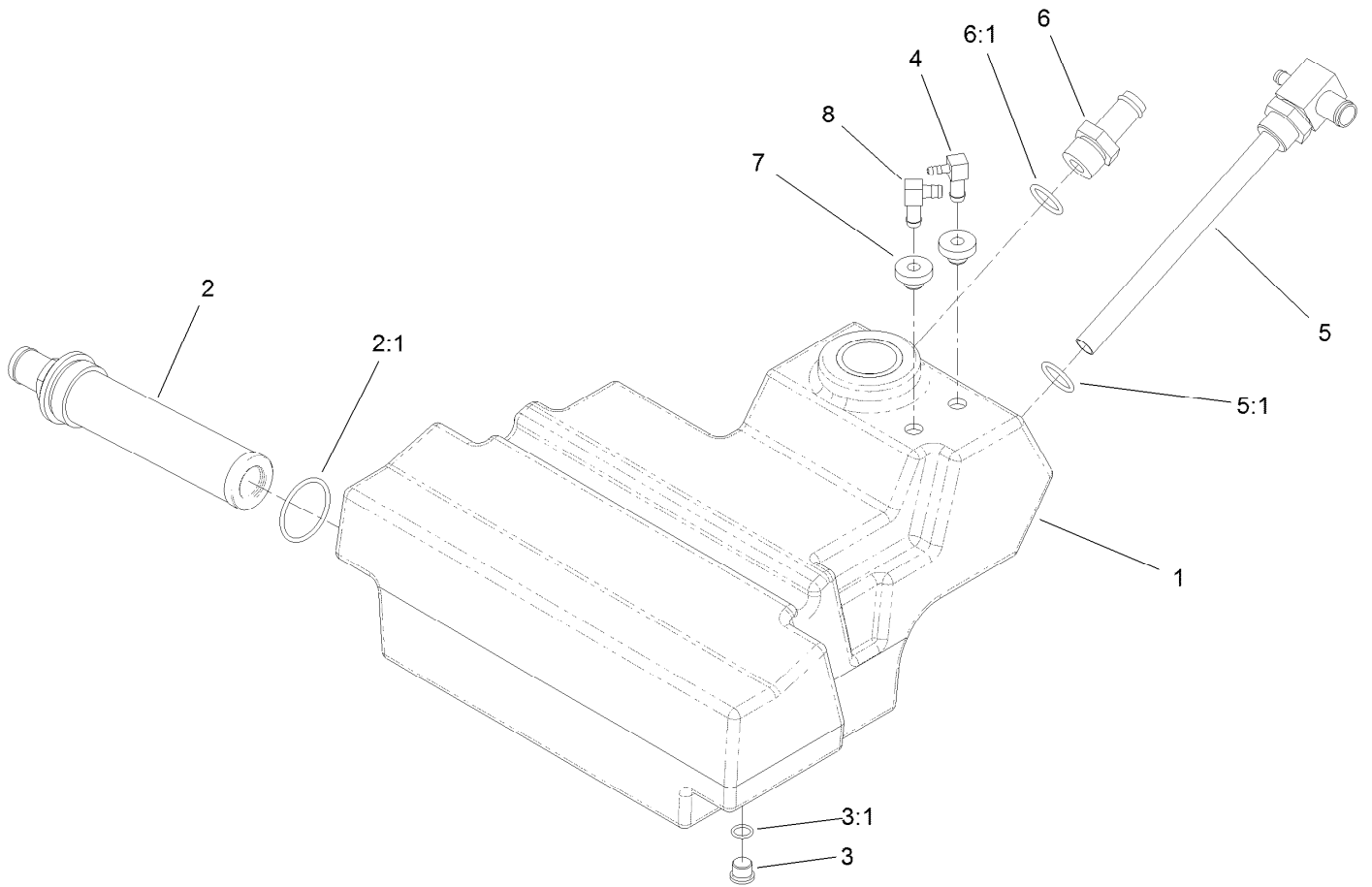
| Ref. | Part Number | Qty. | Description |
|------|-------------|------|---------------------|
| 1 | 112-1683 | 2 | Hose |
| 2 | 340-7 | 2 | Fitting-Straight |
| 2:1 | 237-65 | 1 | O-Ring |
| 2:2 | 237-80 | 1 | O-Ring |
| 3 | 340-14 | 2 | Fitting-HYD, 45 DEG |
| 3:1 | 237-65 | 1 | O-Ring |
| 3:2 | 237-80 | 1 | O-Ring |
| 4 | 110-5518 | 2 | Hose |
| 5 | 127-4910 | 1 | Hose-HYD |
| 6 | 340-2 | 1 | Fitting-Straight |
| 6:1 | 237-22 | 1 | O-Ring |

| Ref. | Part Number | Qty. | Description |
|------|-------------|------|-----------------------|
| 6:2 | 237-42 | 1 | O-Ring |
| 7 | 340-155 | 4 | Fitting-Straight |
| 7:1 | 237-79 | 1 | O-Ring |
| 7:2 | 237-151 | 1 | O-Ring |
| 8 | 110-5542 | 1 | Hose-HYD |
| 9 | 340-105 | 1 | Fitting-Elbow, 90 DEG |
| 9:1 | 237-80 | 1 | O-Ring |
| 9:2 | 237-30 | 1 | O-Ring |
| 10 | 32144-14 | 1 | Screw-HWHTF |
| 11 | 2412-137 | 1 | Clamp-R, Double |
| 12 | 110-5543 | 1 | Hose-HYD |



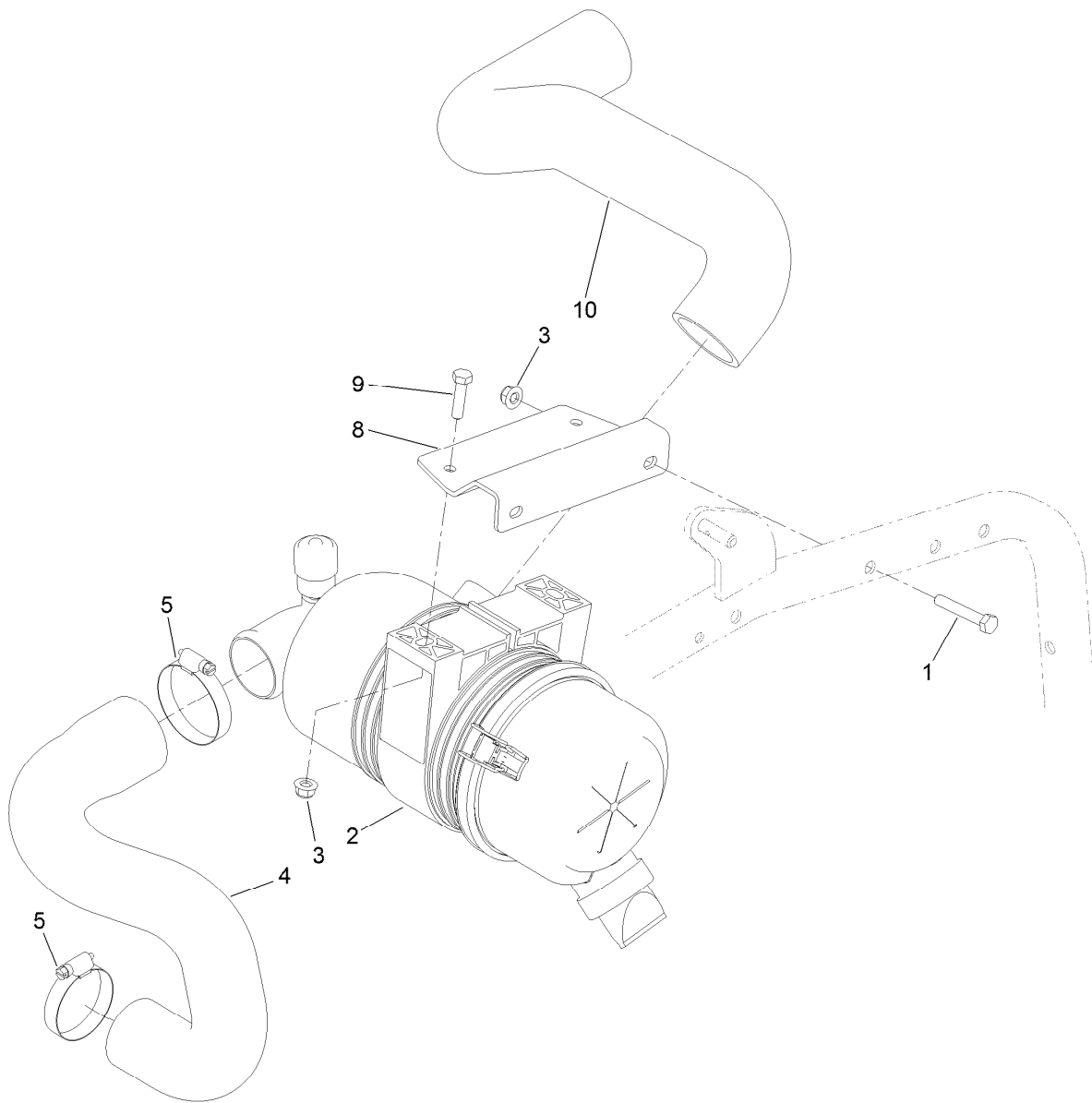
Hydraulic Reservoir Assembly

| Ref. | Part Number | Qty. | Description | Ref. | Part Number | Qty. | Description |
|------|-------------|------|-------------------|------|-------------|------|-------------------|
| 1 | 110-5522 | 1 | Fitting-Elbow, 90 | 17 | 110-5529-03 | 1 | Support-Reservoir |
| 1:1 | 237-80 | 1 | O-Ring | 18 | 109-0299 | 1 | Hose-Fuel |
| 2 | 353-987 | 1 | Fitting-Elbow, 90 | 19 | 112-6365 | 1 | Dipstick |
| 2:1 | 237-81 | 1 | O-Ring | 20 | 94-8166 | 1 | O-Ring |
| 3 | 2412-129 | 4 | Clamp-Hose | 21 | 93-7498 | 1 | Plug-Plastic |
| 4 | 110-5524 | 1 | Hose-Return | 22 | 94-5625 | 1 | Hose |
| 5 | 3290-379 | 2 | Tie-Cable | 23 | 353-979 | 1 | Fitting-STR |
| 6 | 68-6150 | 1 | Breather | 23:1 | 237-42 | 1 | O-Ring |
| 7 | 354-95 | 1 | Fitting-Straight | 24 | 2412-108 | 2 | Clamp-Worm |
| 8 | 92-2379 | 2 | Clamp-Hose | 25 | 340-4 | 1 | Fitting-Straight |
| 9 | 110-9662 | 1 | Hose-Fuel | 25:1 | 237-30 | 1 | O-Ring |
| 10 | 32180-030 | 1 | Clip-Tie | 25:2 | 237-79 | 1 | O-Ring |
| 11 | 110-8237 | 1 | HYD Reservoir ASM | 26 | 110-5532 | 1 | Tube |
| 12 | 2412-98 | 2 | Clamp-Hose | 27 | 340-7 | 1 | Fitting-Straight |
| 13 | 120-0017 | 3 | Strip-Foam | 27:1 | 237-65 | 1 | O-Ring |
| 14 | 2412-34 | 2 | Clamp-Hose | 27:2 | 237-80 | 1 | O-Ring |
| 15 | 110-5526 | 1 | Hose-Suction | 28 | 112-1680 | 1 | Hose-HYD |
| 16 | 32144-14 | 2 | Screw-HWHTF | | | | |



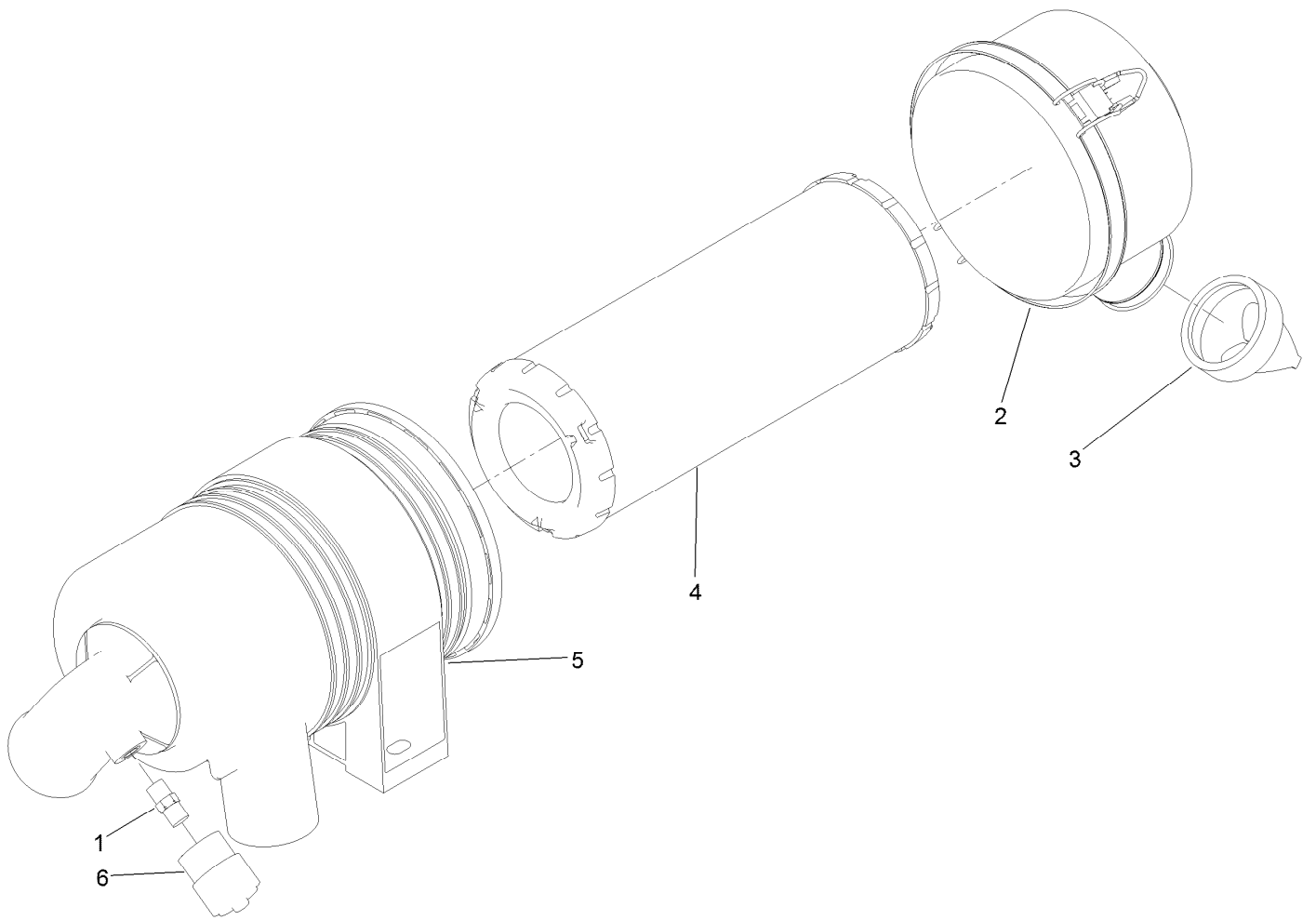
Hydraulic Reservoir Assembly No. 110-8237

| <i>Ref.</i> | <i>Part Number</i> | <i>Qty.</i> | <i>Description</i> |
|-------------|--------------------|-------------|------------------------|
| 1 | 108-5200 | 1 | Reservoir-HYD |
| 2 | 104-7546 | 1 | Tank Strainer ASM |
| 2:1 | 340-136 | 1 | O-Ring |
| 3 | 353-989 | 1 | Plug-Hex, Hollow |
| 3:1 | 237-42 | 1 | O-Ring |
| 4 | 104-5228 | 1 | Fitting-Elbow, 90 DEG |
| 5 | 108-9894 | 1 | Fitting-Elbow, Special |
| 5:1 | 237-81 | 1 | O-Ring |
| 6 | 354-73 | 1 | Fitting |
| 6:1 | 237-81 | 1 | O-Ring |
| 7 | 46-6560 | 2 | Bushing |
| 8 | 46-6550 | 1 | Fitting-Elbow, 90 DEG |



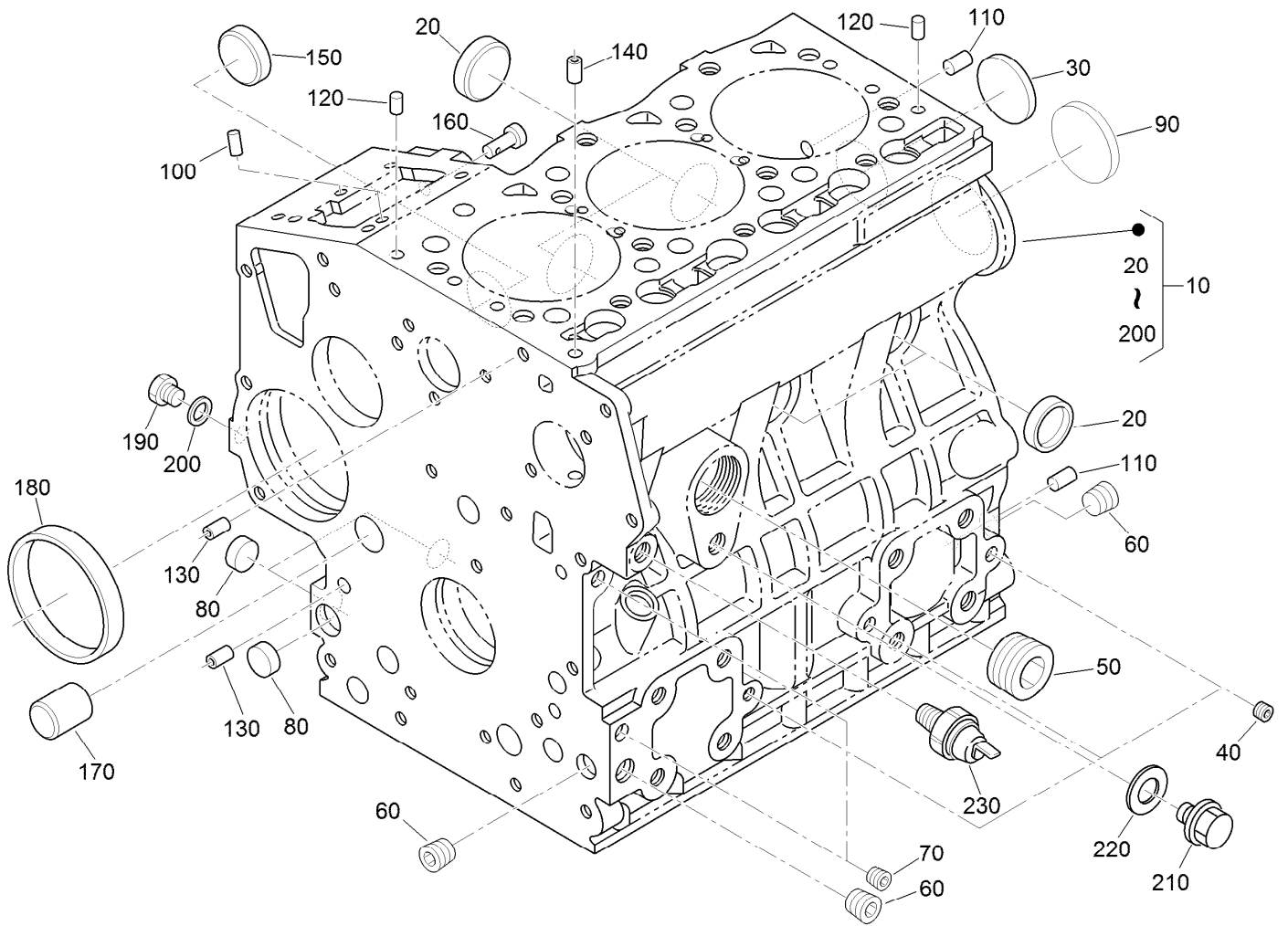
Air Cleaner Assembly

| Ref. | Part Number | Qty. | Description |
|-------------|--------------------|-------------|-----------------------|
| 1 | 322-10 | 2 | Screw-HH |
| 2 | 136-4481 | 1 | Air Cleaner ASM |
| 3 | 104-8300 | 4 | Nut-HF, NI |
| 4 | 105-7236 | 1 | Hose-Inlet, Air |
| 5 | 2412-130 | 2 | Clamp-Hose |
| 8 | 108-9843-03 | 1 | Support-Cleaner, Air |
| 9 | 322-6 | 2 | Screw-HH |
| 10 | 105-7281 | 1 | Hose-Air Inlet, Upper |



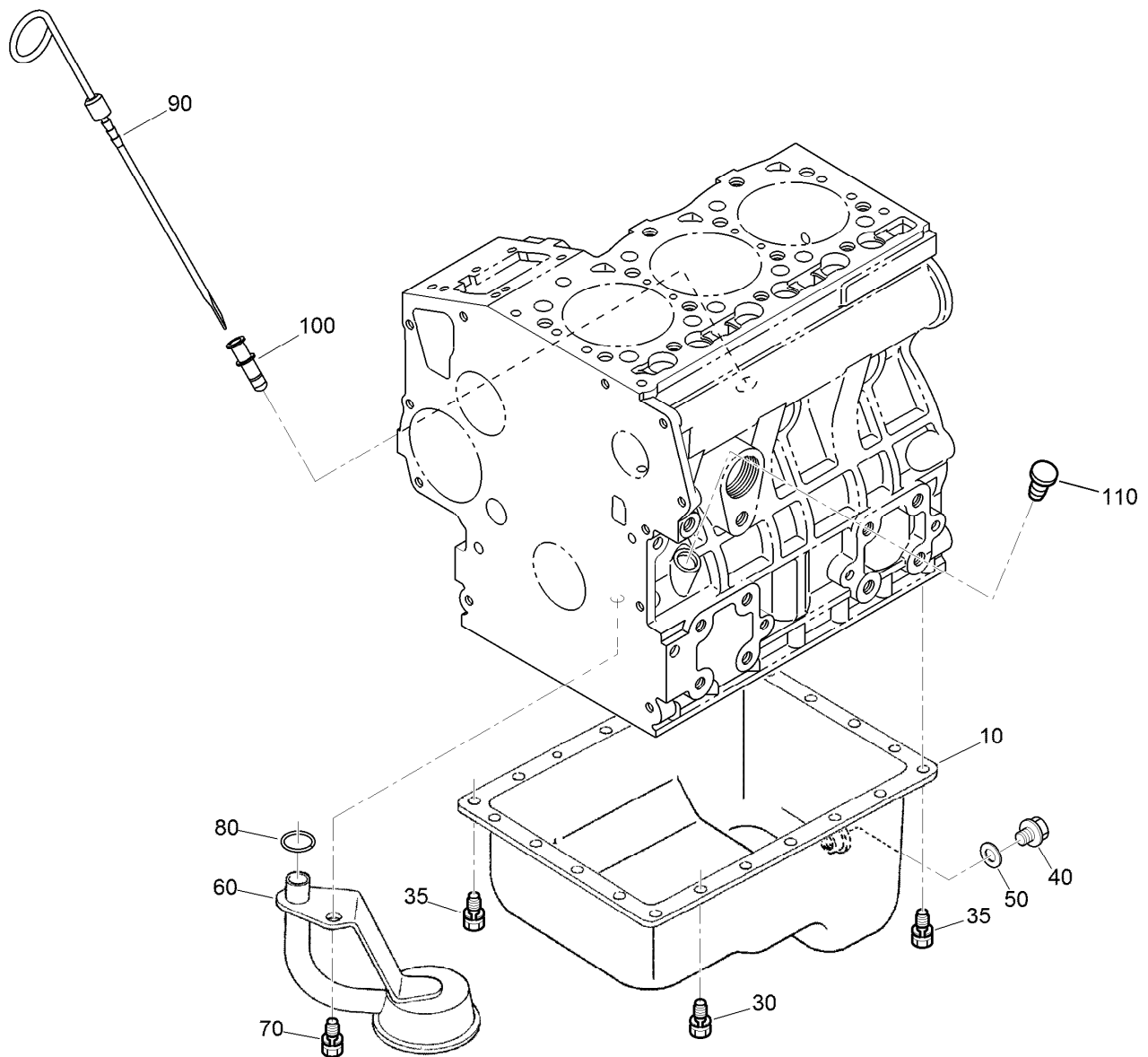
Air Cleaner Assembly No. 136-4481

| <i>Ref.</i> | <i>Part Number</i> | <i>Qty.</i> | <i>Description</i> |
|-------------|--------------------|-------------|----------------------|
| 1 | 94-1416 | 1 | Adapter-Indicator |
| 2 | 98-9771 | 1 | Cover ASM |
| 3 | 94-1414 | 1 | Valve-Vacuator |
| 4 | 108-3810 | 1 | Filter-Air |
| 5 | 98-4525 | 1 | Bracket-Cleaner, Air |
| 6 | 93-9164 | 1 | Indicator-Mini |



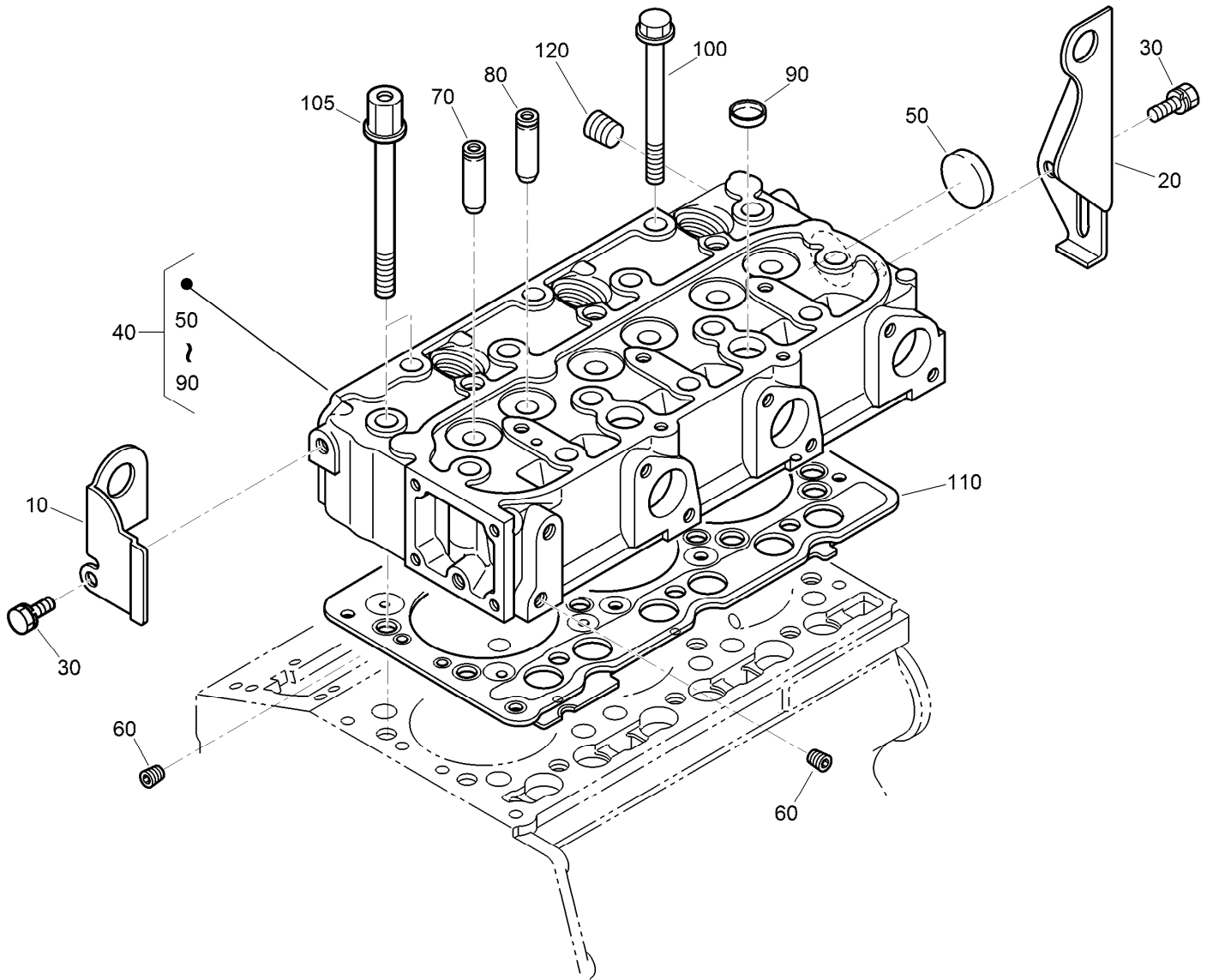
Crankcase Assembly

| <i>Ref.</i> | <i>Part Number</i> | <i>Qty.</i> | <i>Description</i> | <i>Ref.</i> | <i>Part Number</i> | <i>Qty.</i> | <i>Description</i> |
|-------------|--------------------|-------------|--------------------|-------------|--------------------|-------------|------------------------|
| 10 | 115-3443 | 1 | Crankcase ASM | 130 | 98-9387 | 2 | Pin-Pipe |
| 20 | 98-9398 | 4 | Cap-Sealing | 140 | 98-9539 | 1 | Pin-Pipe |
| 30 | 98-7539 | 1 | Cap-Sealing | 150 | 98-9599 | 1 | Plug |
| 40 | 98-9687 | 3 | Plug | 160 | 98-9630 | 1 | Pin-Spring, Start |
| 50 | 105-3779 | 1 | Plug | 170 | 98-9675 | 1 | Plug |
| 60 | 98-9597 | 3 | Plug | 180 | 98-9656 | 1 | Bushing-Governor, Gear |
| 70 | 98-7487 | 2 | Plug | 190 | 120-2559 | 1 | Plug |
| 80 | 98-9379 | 3 | Plug-Expansion | 200 | 98-7428 | 1 | Gasket |
| 90 | 98-9668 | 1 | Plug-Expansion | 210 | 99-3447 | 1 | Plug |
| 100 | 98-9375 | 2 | Pin-Straight | 220 | 106-7056 | 1 | Gasket |
| 110 | 98-9377 | 2 | Pin-Straight | 230 | 98-9416 | 1 | Switch-Oil |
| 120 | 98-9376 | 2 | Pin-Straight | | | | |



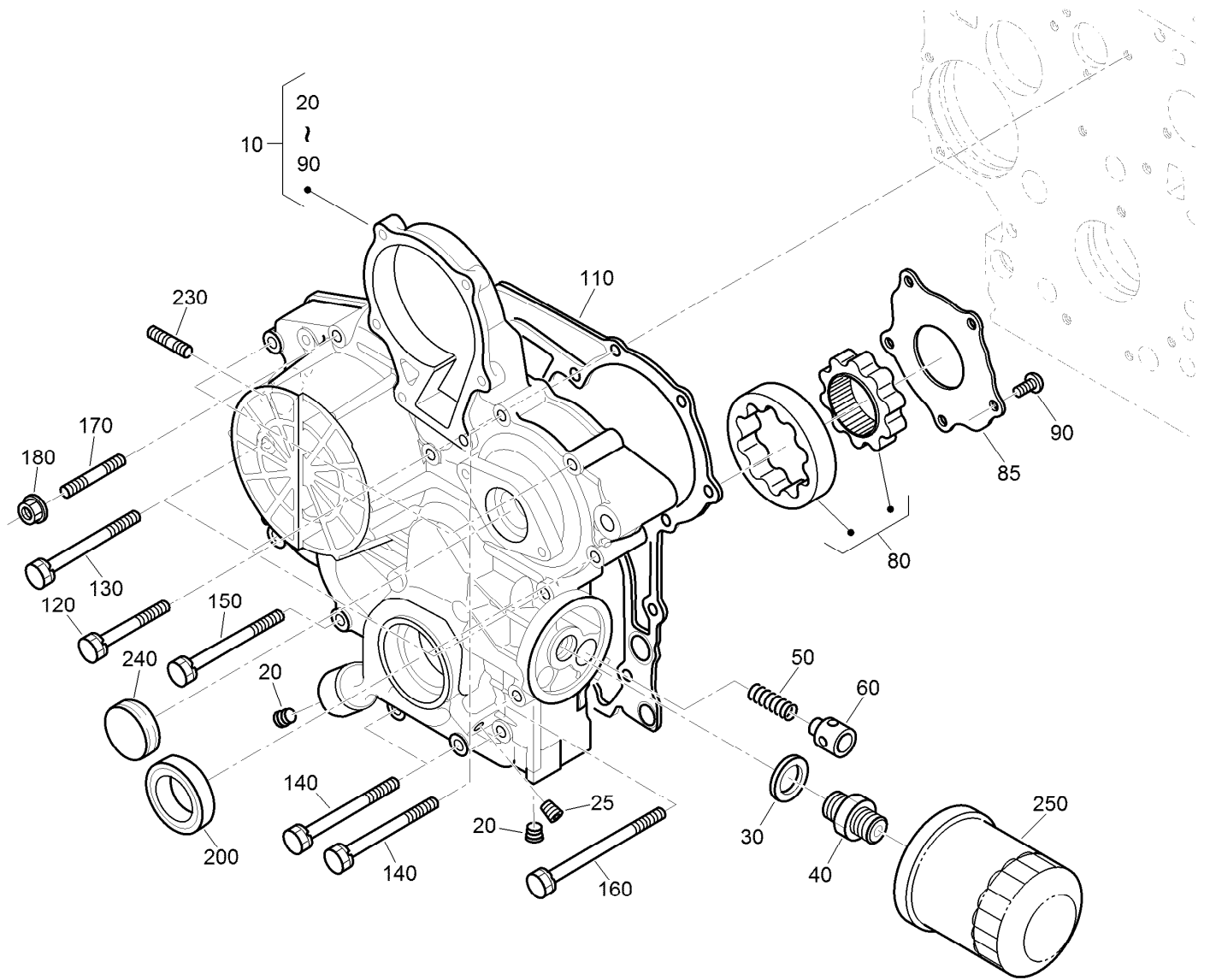
Oil Pan and Dipstick Assembly

| <i>Ref.</i> | <i>Part Number</i> | <i>Qty.</i> | <i>Description</i> |
|-------------|--------------------|-------------|--------------------|
| 10 | 112-0179 | 1 | Pan-Oil |
| 30 | 98-9351 | 20 | Bolt |
| 35 | 98-9351 | 2 | Bolt |
| 40 | 114-8151 | 1 | Plug-Drain |
| 50 | 98-7524 | 1 | Gasket |
| 60 | 108-1401 | 1 | Base-Filter |
| 70 | 98-7526 | 1 | Bolt |
| 80 | 105-3776 | 1 | O-Ring |
| 90 | 104-9348 | 1 | Gauge-Oil |
| 100 | 105-4580 | 1 | Guide-Gauge, Oil |
| 110 | 110-3720 | 1 | Plug-Gauge, Oil |



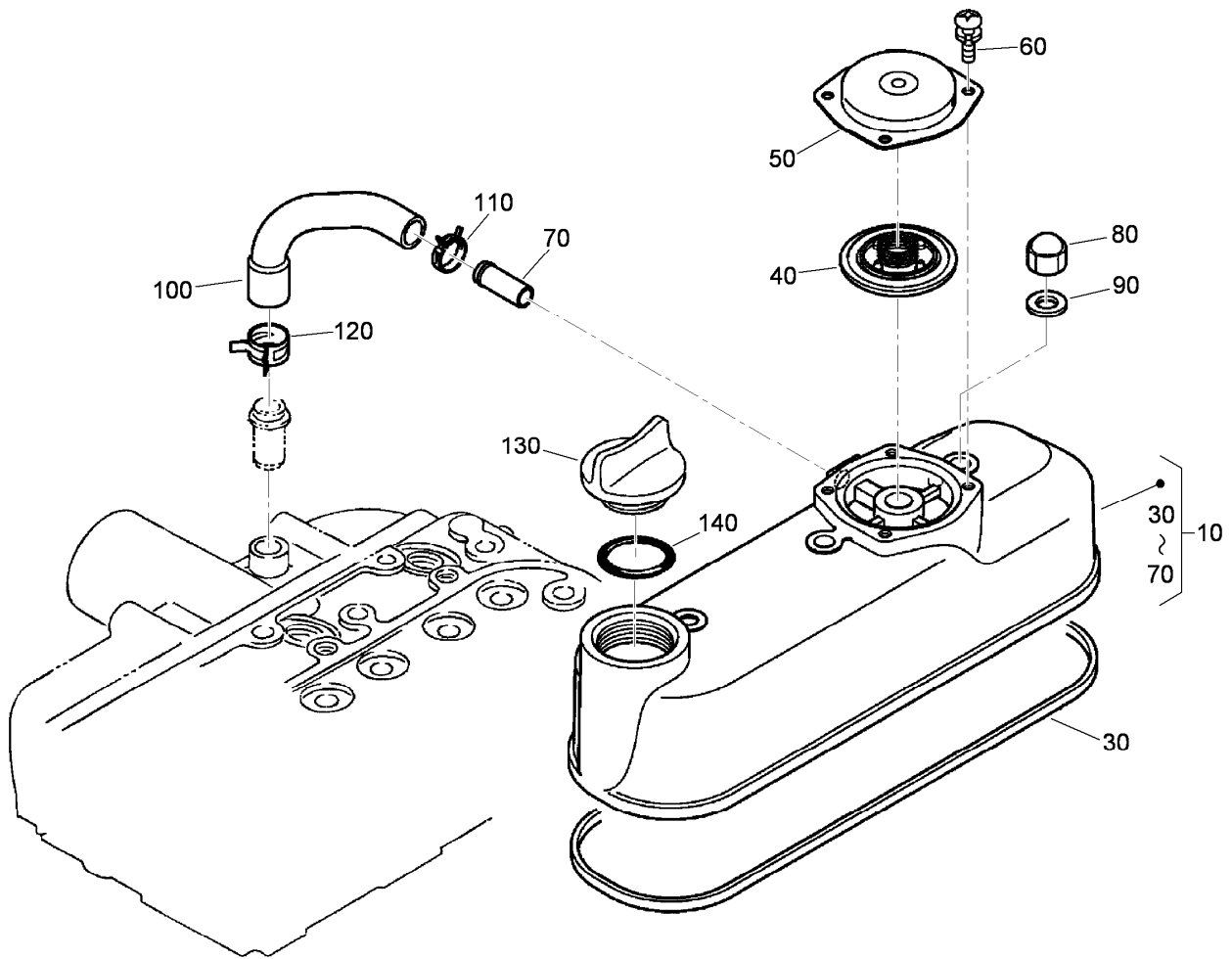
Cylinder Head Assembly

| Ref. | Part Number | Qty. | Description |
|------|-------------|------|-----------------------|
| 10 | 130-1231 | 1 | Hook-Engine |
| 20 | 98-9478 | 1 | Hook-Engine |
| 30 | 100-9195 | 2 | Bolt |
| 40 | 130-1544 | 1 | Cylinder Head ASM |
| 50 | 105-3705 | 1 | Cap-Sealing |
| 60 | 98-9687 | 2 | Plug |
| 70 | 107-9066 | 3 | Guide-Valve, Inlet |
| 80 | 107-9067 | 3 | Guide-Valve, Exhaust |
| 90 | 98-9389 | 2 | Cap-Sealing |
| 100 | 98-9479 | 12 | Bolt-Head, Cylinder |
| 105 | 98-9479 | 2 | Bolt-Head, Cylinder |
| 110 | 108-6573 | 1 | Gasket-Head, Cylinder |
| 120 | 98-9444 | 1 | Plug |



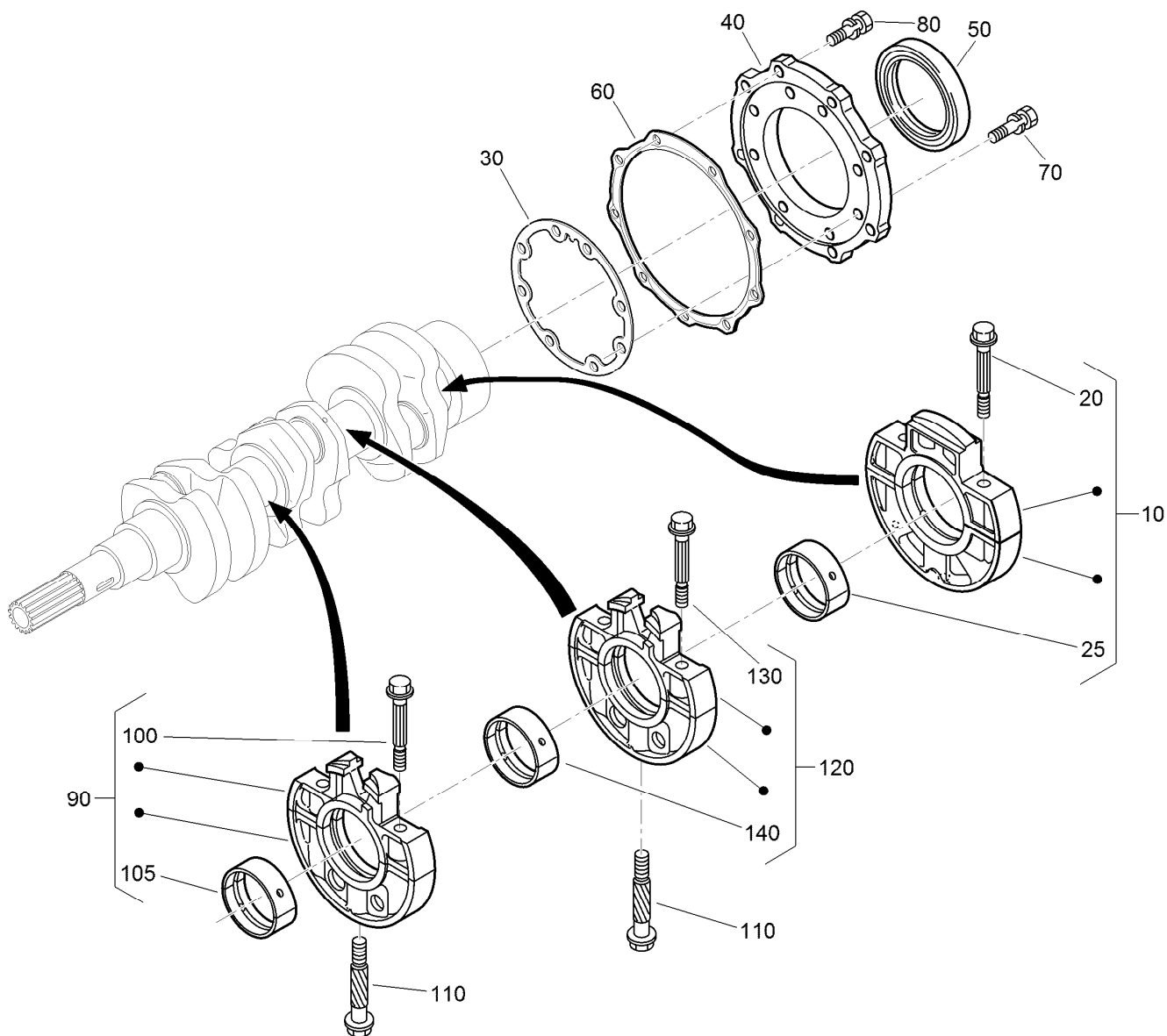
Gear Case and Oil Filter Cartridge Assembly

| Ref. | Part Number | Qty. | Description | Ref. | Part Number | Qty. | Description |
|------|-------------|------|-------------------|------|-------------|------|---------------|
| 10 | 115-4105 | 1 | Gear Case ASM | 120 | 100-1765 | 3 | Bolt |
| 20 | 127-0425 | 2 | Plug | 130 | 125-9063 | 4 | Bolt-Sems |
| 25 | 98-7487 | 1 | Plug | 140 | 98-9356 | 4 | Bolt |
| 30 | 98-7562 | 1 | Washer-Plain | 150 | 107-9074 | 1 | Bolt |
| 40 | 98-9388 | 1 | Joint-Pipe | 160 | 99-3510 | 1 | Bolt |
| 50 | 130-1511 | 1 | Spring | 170 | 105-3709 | 1 | Stud |
| 60 | 130-1510 | 1 | Valve-Relief | 180 | 100-2203 | 1 | Nut-Flange |
| 80 | 130-1508 | 1 | Rotor ASM | 200 | 119-8038 | 1 | Seal-Oil |
| 85 | 130-1509 | 1 | Cover-Pump, Oil | 230 | 105-3710 | 2 | Stud |
| 90 | 130-1164 | 5 | Screw-Binding | 240 | 99-3515 | 1 | Plug-Gearcase |
| 110 | 98-9633 | 1 | Gasket-Case, Gear | 250 | 127-0511 | 1 | Filter-Oil |



Cylinder Head Cover Assembly

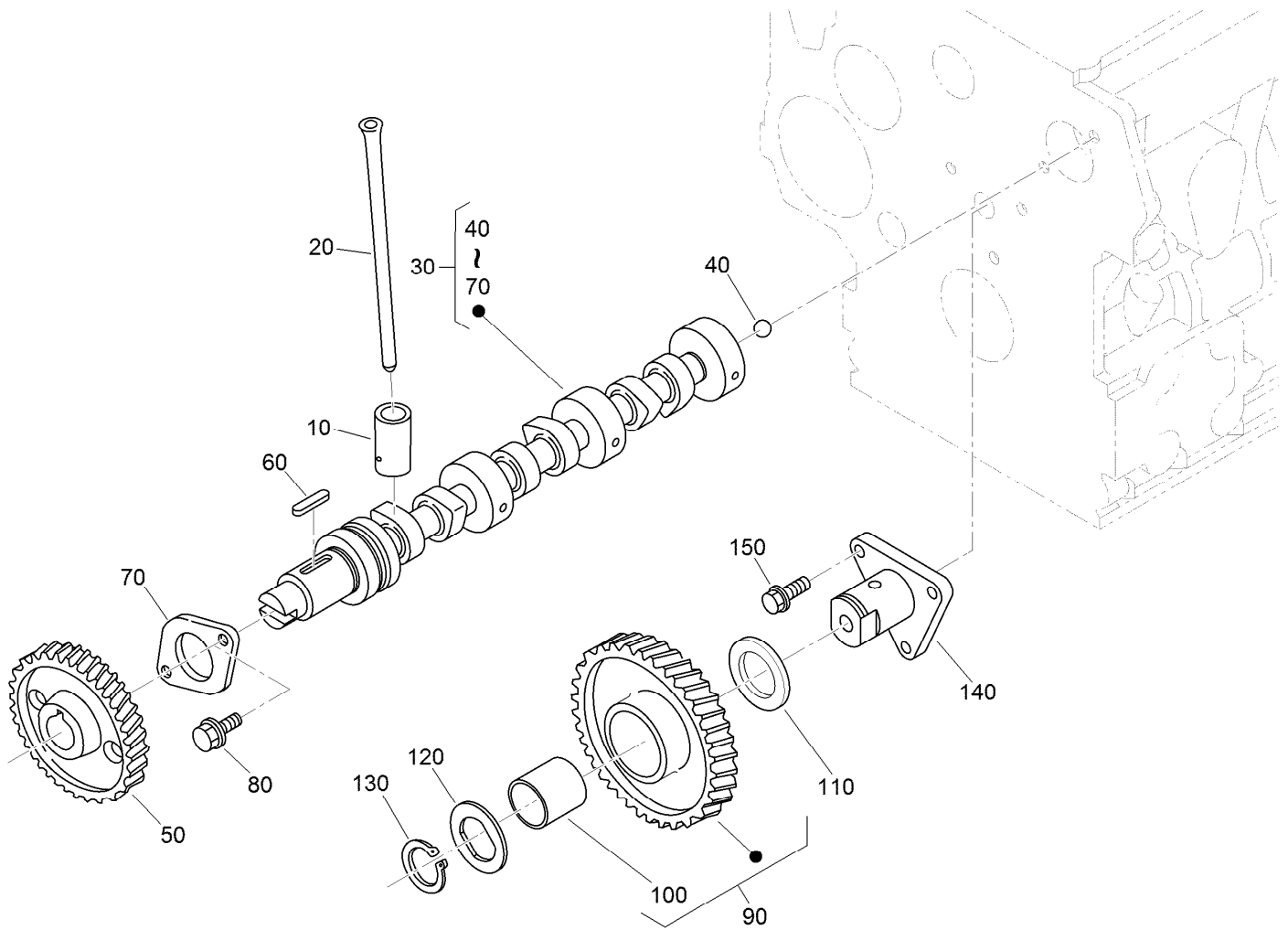
| <i>Ref.</i> | <i>Part Number</i> | <i>Qty.</i> | <i>Description</i> |
|-------------|--------------------|-------------|-------------------------|
| 10 | 115-3446 | 1 | Cylinder Head Cover ASM |
| 30 | 98-9615 | 1 | Gasket-Cover, Head |
| 40 | 110-3715 | 1 | Valve-Breather |
| 50 | 110-3714 | 1 | Cover-Breather |
| 60 | 98-9364 | 4 | Screw (With Washer) |
| 70 | 98-7766 | 1 | Pipe-Return, Water |
| 80 | 98-9455 | 3 | Nut-Cap |
| 90 | 98-9454 | 3 | Gasket |
| 100 | 108-2858 | 1 | Tube-Breather |
| 110 | 108-2859 | 1 | Clamp-Hose |
| 120 | 108-2860 | 1 | Clamp-Hose |
| 130 | 107-9075 | 1 | Plug-Filler, Oil |
| 140 | 99-3446 | 1 | O-Ring |



Main Bearing Case Assembly

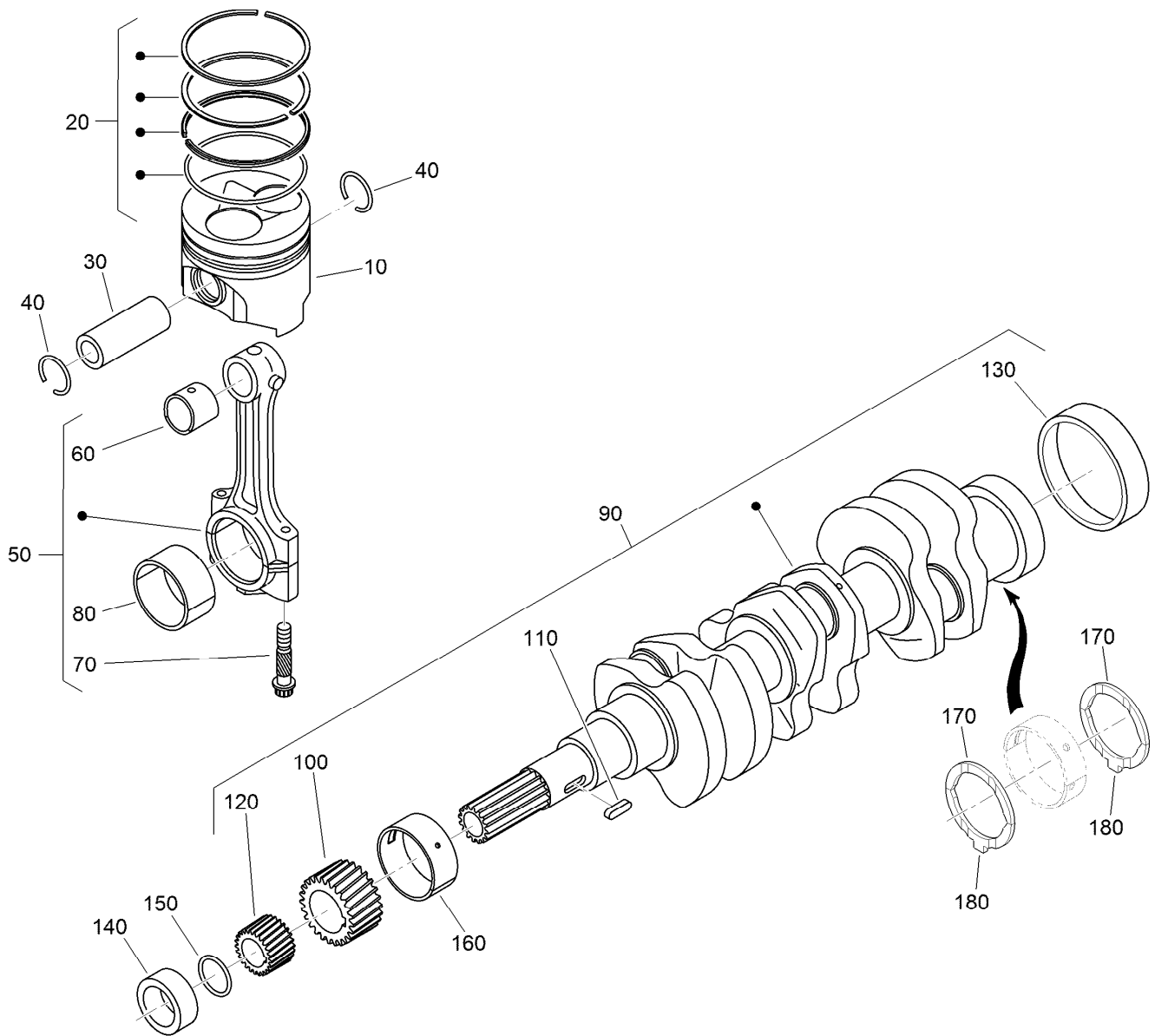
| <i>Ref.</i> | <i>Part Number</i> | <i>Qty.</i> | <i>Description</i> |
|-------------|--------------------|-------------|---------------------------|
| 10 | 112-7026 | 1 | Wheel Bearing Case ASM |
| 20 | 98-9484 | 2 | Bolt-Case, Bearing |
| 25 | 115-4121 | 1 | Metal-Crankshaft (STD) |
| 25 | 112-7039 | 1 | Metal-Crankshaft (0.2Mm) |
| 25 | 112-7040 | 1 | Metal-Crankshaft (-0.4Mm) |
| 30 | 131-6554 | 1 | Gasket-Case, Bearing |
| 40 | 112-7046 | 1 | Cover-Case, Bearing |
| 50 | 112-0180 | 1 | Seal-Oil |
| 60 | 112-7037 | 1 | Gasket-Cover, Case |
| 70 | 127-0441 | 8 | Bolt |
| 80 | 127-0442 | 9 | Bolt |

| <i>Ref.</i> | <i>Part Number</i> | <i>Qty.</i> | <i>Description</i> |
|-------------|--------------------|-------------|----------------------------|
| 90 | 115-4106 | 1 | Main Bearing Case ASM |
| 100 | 98-9484 | 2 | Bolt-Case, Bearing |
| 105 | 98-9524 | 1 | Metal-Crankshaft (STD Set) |
| 105 | 127-0433 | 1 | Metal-Crankshaft (-0.2Mm) |
| 105 | 98-9531 | 1 | Bearing-Main (0.4Mm) |
| 110 | 98-9485 | 2 | Bolt-Case, Bearing |
| 120 | 115-4107 | 1 | Main Bearing Case ASM |
| 130 | 98-9484 | 2 | Bolt-Case, Bearing |
| 140 | 98-9524 | 1 | Metal-Crankshaft (STD Set) |
| 140 | 127-0433 | 1 | Metal-Crankshaft (-0.2Mm) |
| 140 | 98-9531 | 1 | Bearing-Main (0.4Mm) |



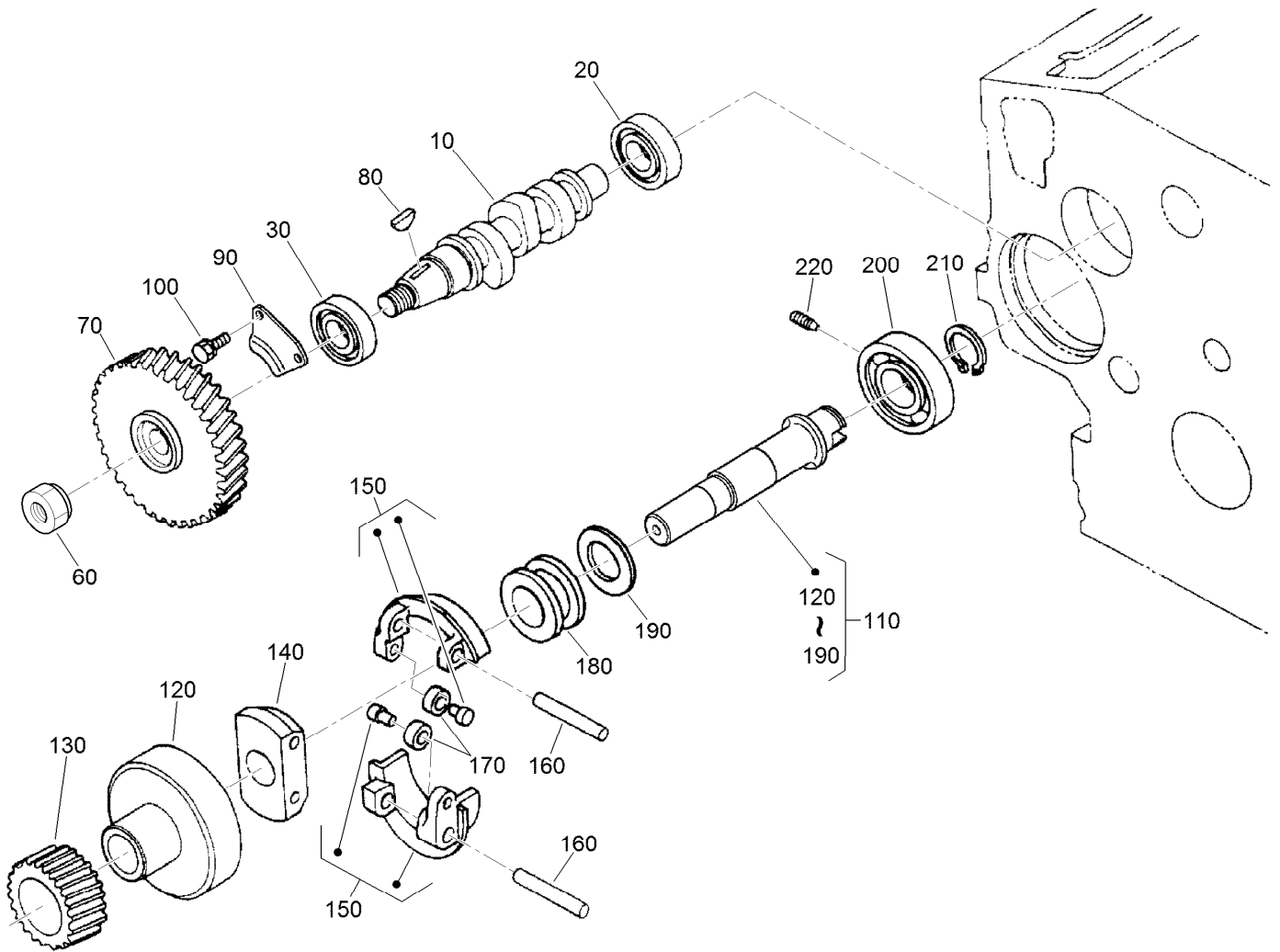
Camshaft and Idle Gear Shaft Assembly

| Ref. | Part Number | Qty. | Description |
|------|-------------|------|--------------------|
| 10 | 112-0185 | 1 | Tappet |
| 20 | 127-0421 | 6 | Rod-Push |
| 30 | 130-1545 | 1 | Camshaft ASM |
| 40 | 110-3729 | 1 | Ball |
| 50 | 98-9512 | 1 | Gear-Cam |
| 60 | 98-9378 | 1 | Key-Feather |
| 70 | 98-9510 | 1 | Stopper-Camshaft |
| 80 | 98-7692 | 2 | Bolt |
| 90 | 117-7584 | 1 | Idle Gear ASM |
| 100 | 117-7585 | 1 | Bushing-Gear, Idle |
| 110 | 98-9535 | 1 | Collar-Gear, Idle |
| 120 | 98-9536 | 1 | Collar-Gear, Idle |
| 130 | 98-9534 | 1 | Circlip-Gear, Idle |
| 140 | 98-9533 | 1 | Shaft-Gear, Idle |
| 150 | 98-7692 | 3 | Bolt |



Piston and Crankshaft Assembly

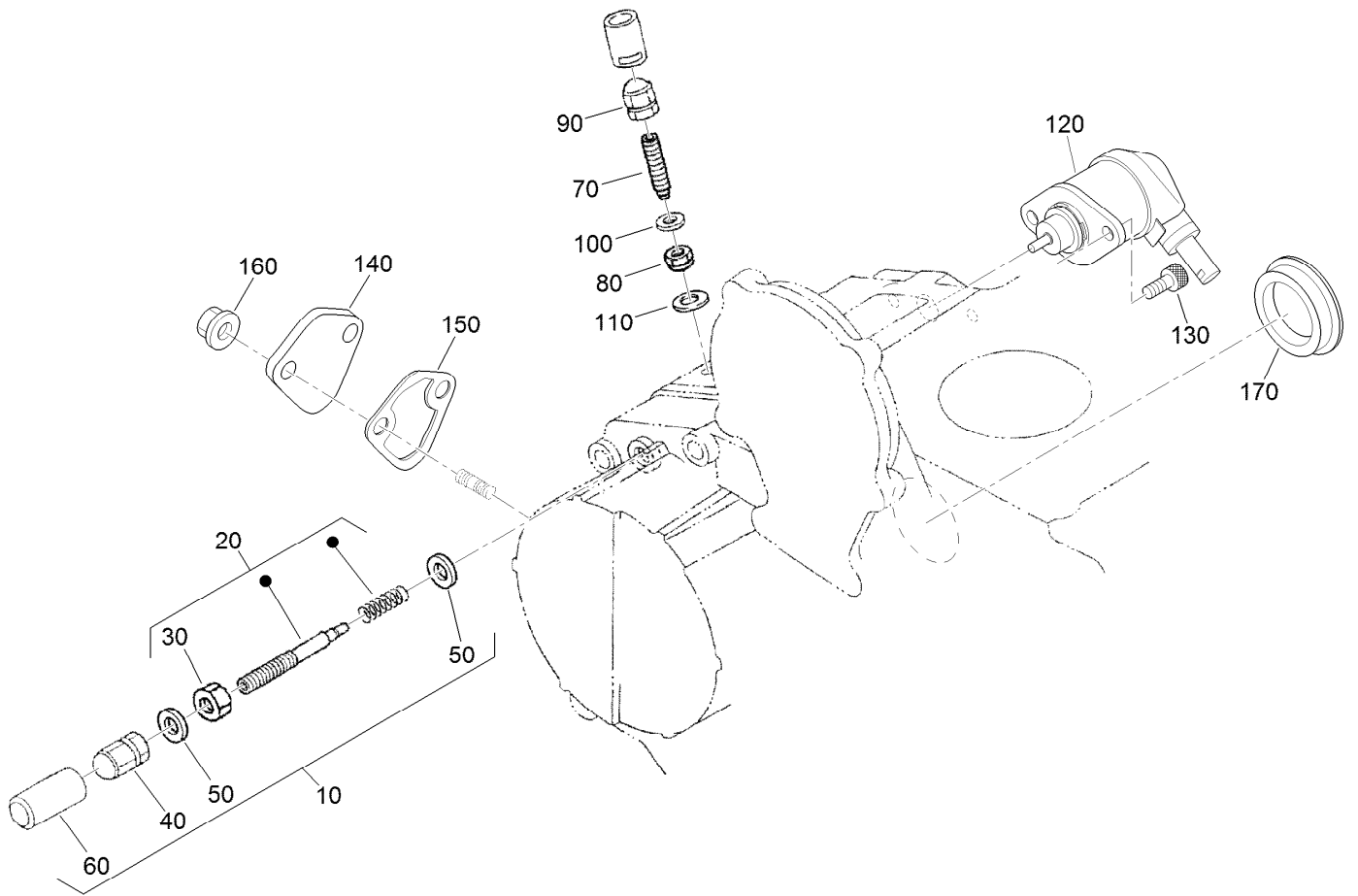
| <i>Ref.</i> | <i>Part Number</i> | <i>Qty.</i> | <i>Description</i> | <i>Ref.</i> | <i>Part Number</i> | <i>Qty.</i> | <i>Description</i> |
|-------------|--------------------|-------------|---------------------------|-------------|--------------------|-------------|---------------------------|
| 10 | 130-1546 | 3 | Piston (STD) | 110 | 98-9666 | 1 | Key |
| 10 | 130-1549 | 3 | Piston (+0.50Mm) | 120 | 127-0445 | 1 | Gear-Drive, Oil Pump |
| 20 | 130-1506 | 3 | Piston Ring ASM (STD) | 130 | 98-9522 | 1 | Sleeve-Crankshaft |
| 20 | 130-1507 | 3 | Piston Ring ASM (+0.50Mm) | 140 | 127-0444 | 1 | Collar-Crankshaft |
| 30 | 98-9513 | 3 | Pin-Piston | 150 | 105-3783 | 1 | O-Ring |
| 40 | 98-9514 | 6 | Circlip-Pin, Piston | 160 | 112-7005 | 1 | Bearing-Main (STD) |
| 50 | 117-7586 | 3 | Connecting Rod ASM | 160 | 98-9528 | 1 | Bearing-Main (-0.2Mm) |
| 60 | 115-3014 | 3 | Bushing-Pin, Piston | 160 | 127-0432 | 1 | Metal-Crankshaft (-0.4Mm) |
| 70 | 98-9517 | 6 | Bolt-Rod, Connecting | 170 | 98-9413 | 2 | Bearing-Thrust (STD) |
| 80 | 98-9553 | 3 | Bearing-Rod (STD) | 170 | 127-0416 | 2 | Metal-Side (+0.2Mm) |
| 80 | 98-9519 | 3 | Bearing-Rod (-0.2Mm) | 170 | 127-0417 | 2 | Metal-Side (+0.40Mm) |
| 80 | 117-7588 | 3 | Metal-Crankpin (-0.4Mm) | 180 | 98-9688 | 2 | Bearing-Thrust (STD) |
| 90 | 130-1375 | 1 | Crankshaft ASM | 180 | 127-0437 | 2 | Metal-Side (+0.2Mm) |
| 100 | 117-7561 | 1 | Gear-Crankshaft | 180 | 127-0438 | 2 | Metal-Side (+0.40Mm) |



Fuel Camshaft and Governor Shaft Assembly

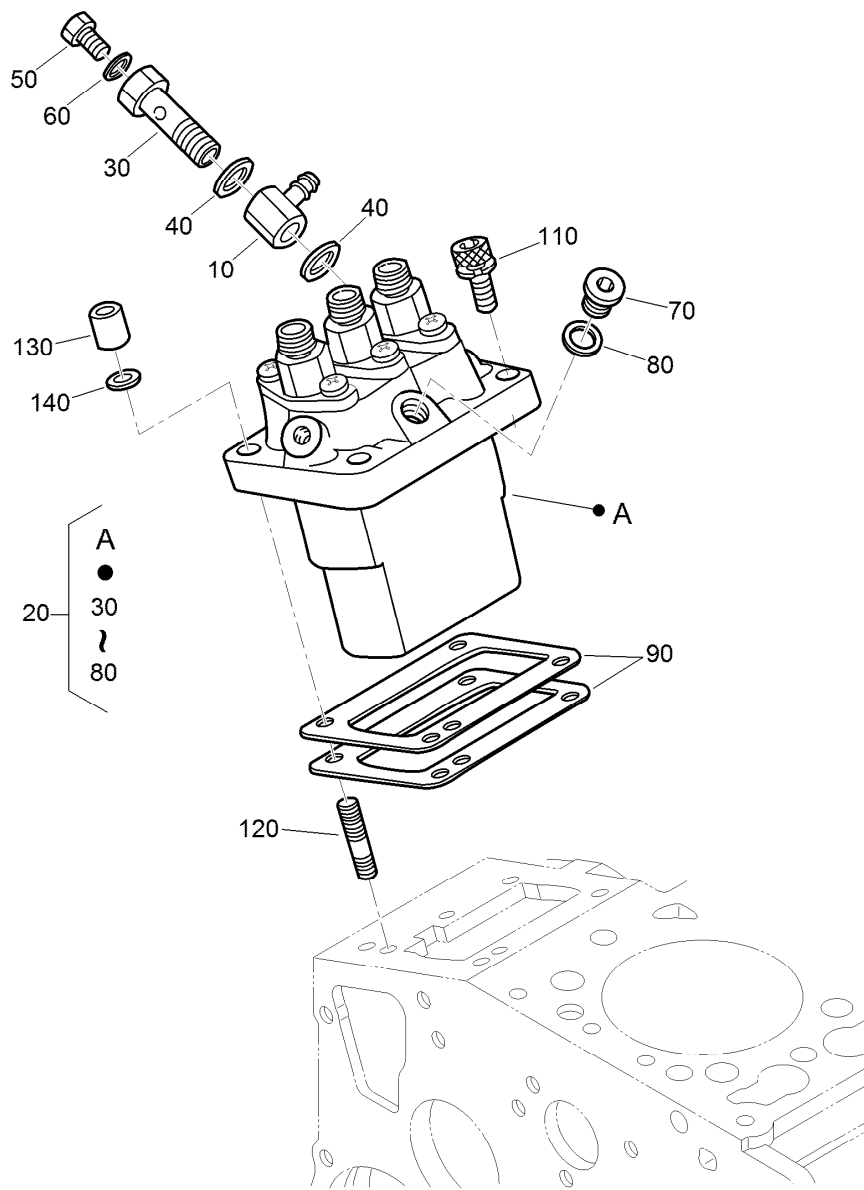
| Ref. | Part Number | Qty. | Description |
|------|-------------|------|------------------------|
| 10 | 98-9459 | 1 | Camshaft-Fuel |
| 20 | 107-9077 | 1 | Bearing-Ball |
| 30 | 107-9078 | 1 | Bearing-Ball |
| 60 | 130-1512 | 1 | Nut |
| 70 | 120-2562 | 1 | Gear-Pump, Injection |
| 80 | 98-9595 | 1 | Key-Woodruff |
| 90 | 98-9511 | 1 | Stopper-Fuel, Camshaft |
| 100 | 98-7692 | 2 | Bolt |
| 110 | 98-9644 | 1 | Governor Shaft ASM |
| 120 | 98-9562 | 1 | Holder-Gear, Governor |

| Ref. | Part Number | Qty. | Description |
|------|-------------|------|-------------------------|
| 130 | 98-9673 | 1 | Gear-Governor |
| 140 | 98-9561 | 1 | Holder-Weight, Governor |
| 150 | 130-1240 | 2 | Governor Weight ASM |
| 160 | 98-9560 | 2 | Shaft-Weight, Governor |
| 170 | 98-9692 | 2 | Roller |
| 180 | 98-9563 | 1 | Sleeve-Governor |
| 190 | 98-9564 | 1 | Washer-Thrust |
| 200 | 107-9079 | 1 | Bearing-Ball |
| 210 | 98-9657 | 1 | Circlip-Shaft, Governor |
| 220 | 98-9565 | 1 | Screw-Set |



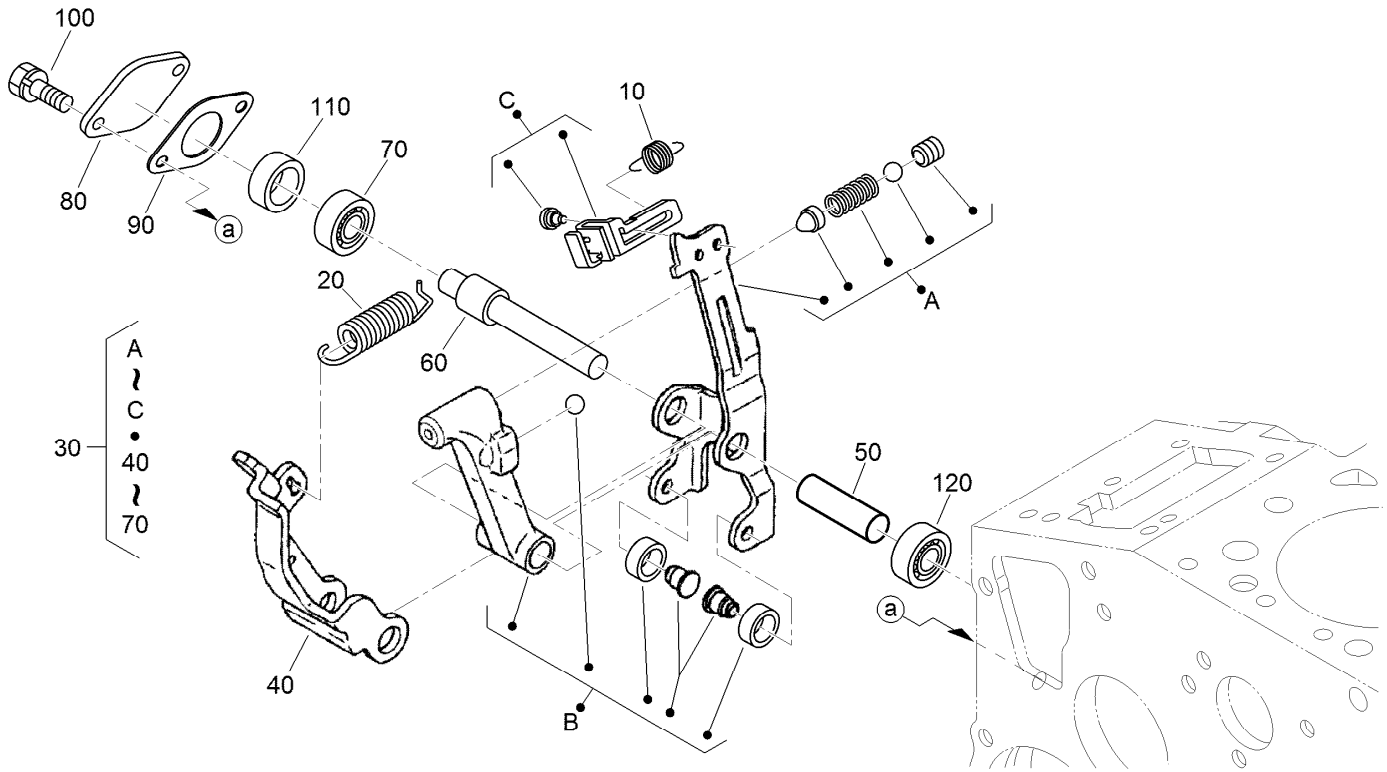
Idle Apparatus Assembly

| <i>Ref.</i> | <i>Part Number</i> | <i>Qty.</i> | <i>Description</i> | <i>Ref.</i> | <i>Part Number</i> | <i>Qty.</i> | <i>Description</i> |
|-------------|--------------------|-------------|--------------------|-------------|--------------------|-------------|--------------------|
| 10 | 98-9678 | 1 | Idle Apparatus ASM | 100 | 98-7654 | 1 | Gasket |
| 20 | 112-7014 | 1 | Adjusting Bolt ASM | 110 | 107-9081 | 1 | Gasket |
| 30 | 98-9439 | 1 | Nut | 120 | 104-5155 | 1 | Solenoid-Stop |
| 40 | 112-0181 | 1 | Nut | 130 | 130-1155 | 2 | Screw-HSH |
| 50 | 98-7654 | 2 | Gasket | 140 | 99-3514 | 1 | Cover |
| 60 | 98-7656 | 1 | Cap | 150 | 117-7562 | 1 | Gasket-Pump, Fuel |
| 70 | 112-7015 | 1 | Bolt-Adjusting | 160 | 100-2203 | 2 | Nut-Flange |
| 80 | 100-2175 | 1 | Nut-Lock | 170 | 112-7016 | 1 | Cover-Pump |
| 90 | 112-0181 | 1 | Nut | | | | |



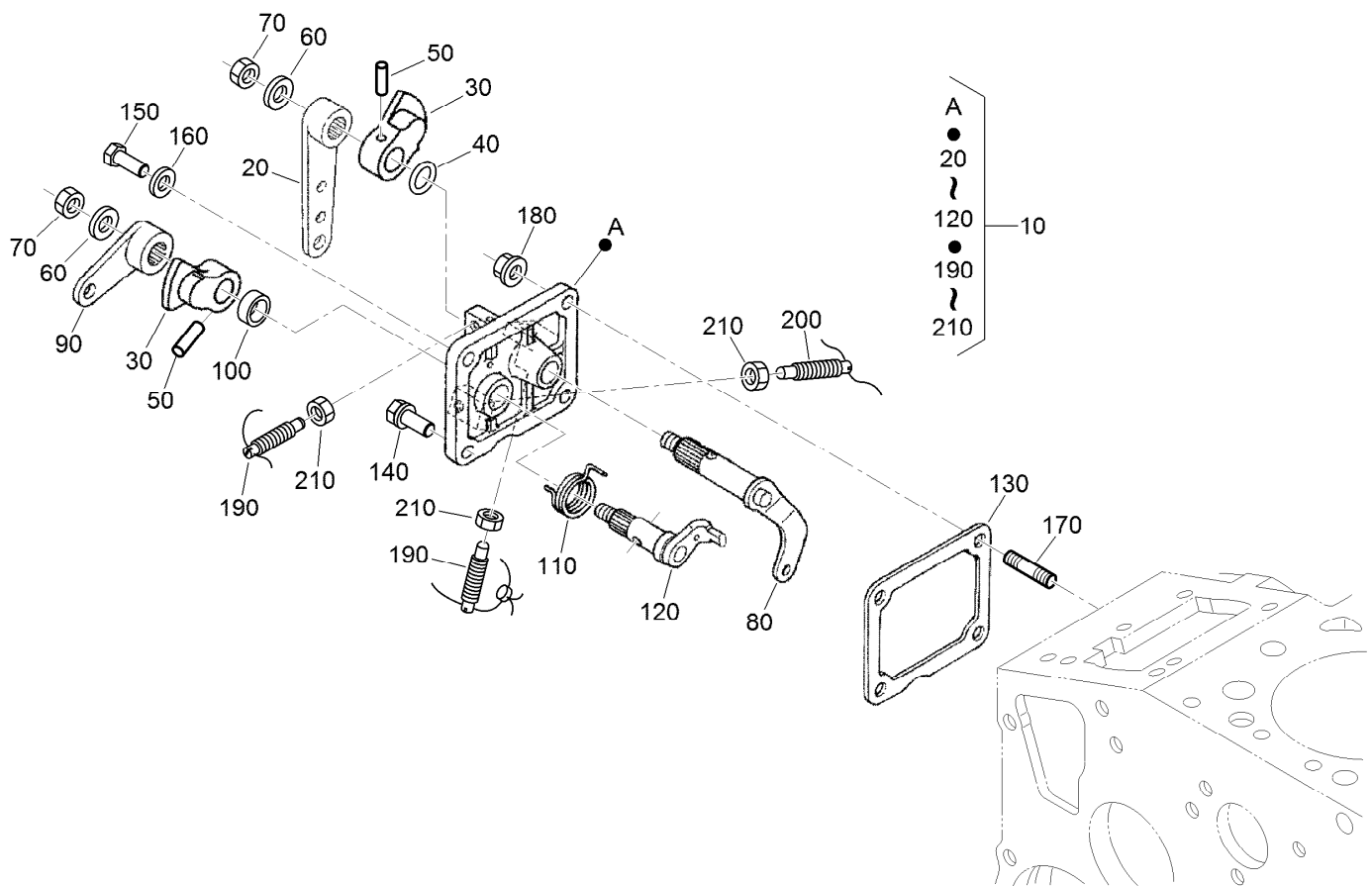
Injection Pump Assembly

| <i>Ref.</i> | <i>Part Number</i> | <i>Qty.</i> | <i>Description</i> | <i>Ref.</i> | <i>Part Number</i> | <i>Qty.</i> | <i>Description</i> |
|-------------|--------------------|-------------|-------------------------|-------------|--------------------|-------------|--------------------------|
| 10 | 98-9596 | 1 | Joint-Eye | 90 | 98-9457 | 1 | Shim-Injection (0.25Mm) |
| 20 | 98-9643 | 1 | Injection Pump ASM | 90 | 98-9458 | 1 | Shim-Injection (0.30Mm) |
| 30 | 98-9464 | 1 | Bolt-Joint | 90 | 115-3046 | 1 | Shim-Injection (0.35Mm) |
| 40 | 98-9445 | 2 | Gasket | 90 | 115-3045 | 1 | Shim-Injection (0.175Mm) |
| 50 | 98-9430 | 1 | Screw | 110 | 117-7564 | 2 | Bolt-Hex Soc HD |
| 60 | 98-9446 | 1 | Gasket | 120 | 98-9438 | 2 | Stud |
| 70 | 98-9466 | 1 | Plug | 130 | 98-9440 | 2 | Nut-Cap |
| 80 | 98-9451 | 1 | Gasket | 140 | 98-7699 | 2 | Washer-Spring |
| 90 | 98-9456 | 1 | Shim-Injection (0.20Mm) | | | | |



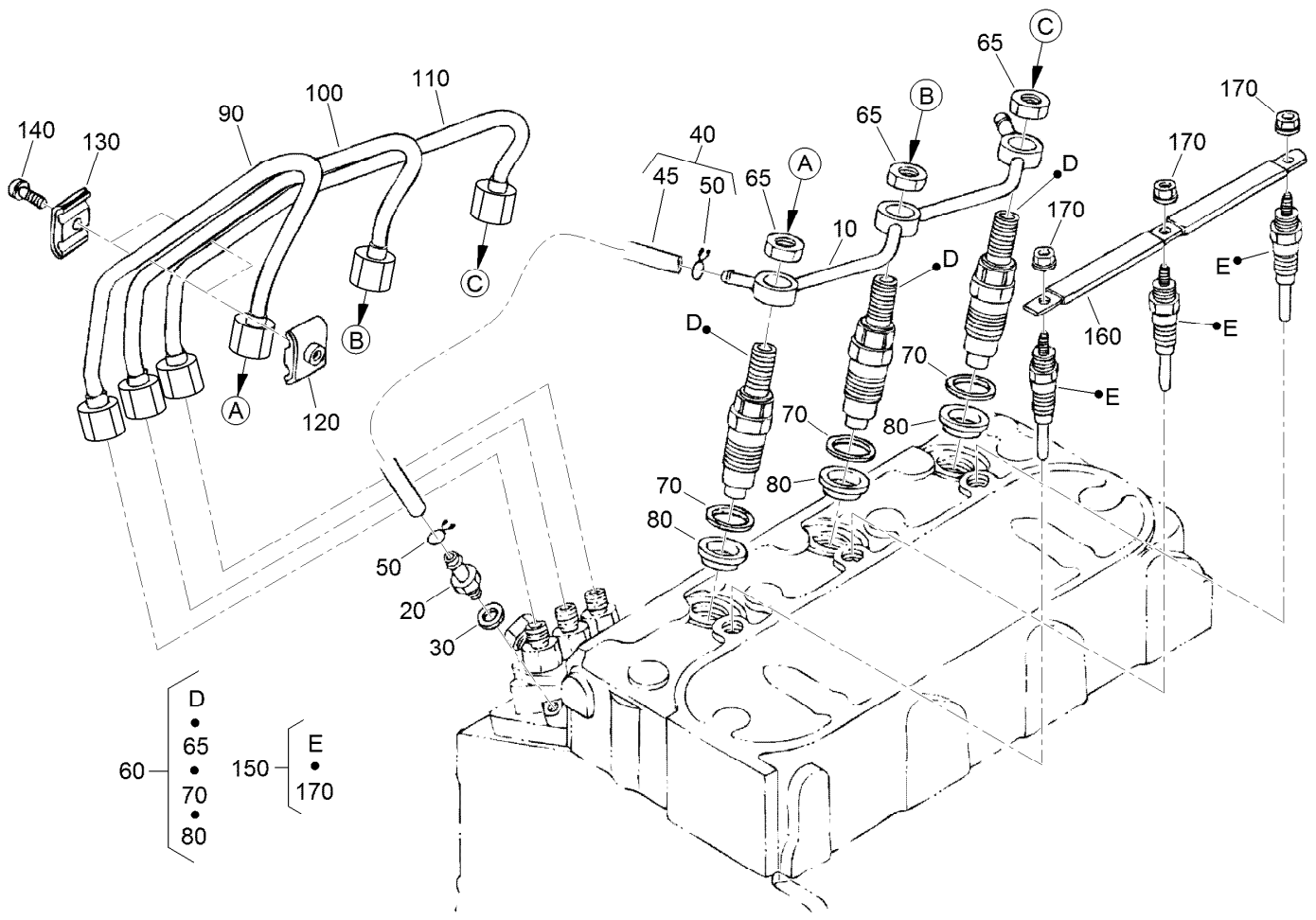
Governor Assembly

| <i>Ref.</i> | <i>Part Number</i> | <i>Qty.</i> | <i>Description</i> |
|-------------|--------------------|-------------|-------------------------|
| 10 | 105-3786 | 1 | Spring-Start |
| 20 | 98-9681 | 1 | Spring-Governor |
| 30 | 115-4502 | 1 | Fork Lever ASM |
| 40 | 107-9084 | 1 | Lever-Fork |
| 50 | 107-9085 | 1 | Shaft-Lever, Fork |
| 60 | 107-9086 | 1 | Shaft-Lever, Fork |
| 70 | 98-9570 | 1 | Bearing-Miniaturize |
| 80 | 115-4122 | 1 | Cover-Shaft, Fork Lever |
| 90 | 98-9682 | 1 | Gasket |
| 100 | 98-9350 | 2 | Bolt |
| 110 | 98-9567 | 1 | Collar |
| 120 | 98-9571 | 1 | Bearing-Miniaturize |



Speed Control Plate Assembly

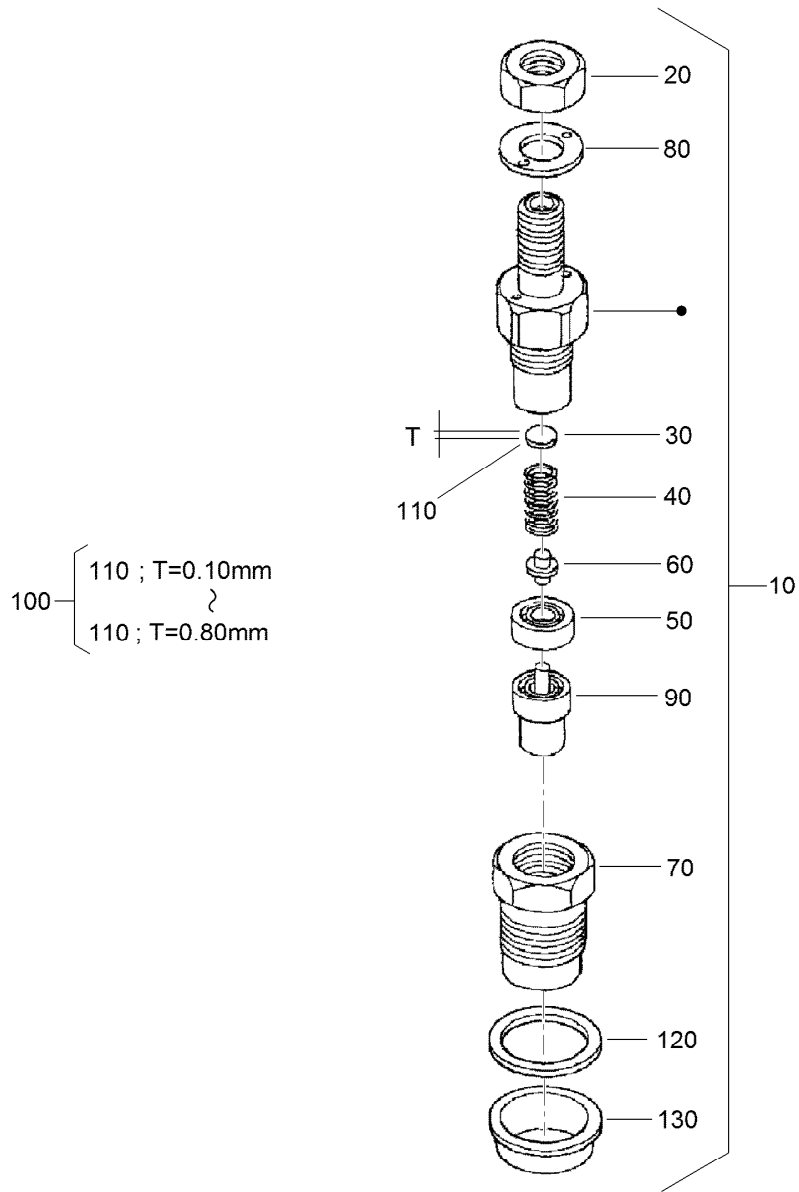
| Ref. | Part Number | Qty. | Description | Ref. | Part Number | Qty. | Description |
|------|-------------|------|----------------------|------|-------------|------|-------------------|
| 10 | 105-3735 | 1 | Control Plate ASM | 120 | 98-9664 | 1 | Shaft-Lever, Stop |
| 20 | 98-9662 | 1 | Lever-Control, Speed | 130 | 98-9637 | 1 | Gasket |
| 30 | 98-9572 | 2 | Lever-Control, Speed | 140 | 98-7692 | 1 | Bolt |
| 40 | 105-3788 | 1 | O-Ring | 150 | 127-0401 | 1 | Bolt-Hex |
| 50 | 98-7602 | 2 | Pin-Spring | 160 | 98-7654 | 1 | Gasket |
| 60 | 98-9594 | 2 | Washer-Plain | 170 | 105-3710 | 2 | Stud |
| 70 | 98-9589 | 2 | Nut | 180 | 100-2203 | 2 | Nut-Flange |
| 80 | 98-9658 | 1 | Governor Lever ASM | 190 | 117-7565 | 2 | Bolt-Adjusting |
| 90 | 98-9663 | 1 | Lever-Stop, Engine | 200 | 117-7566 | 1 | Bolt-Adjusting |
| 100 | 98-7601 | 1 | Seal-Oil | 210 | 98-7572 | 3 | Nut |
| 110 | 98-9472 | 1 | Spring-Return | | | | |



Nozzle Holder and Glow Plug Assembly

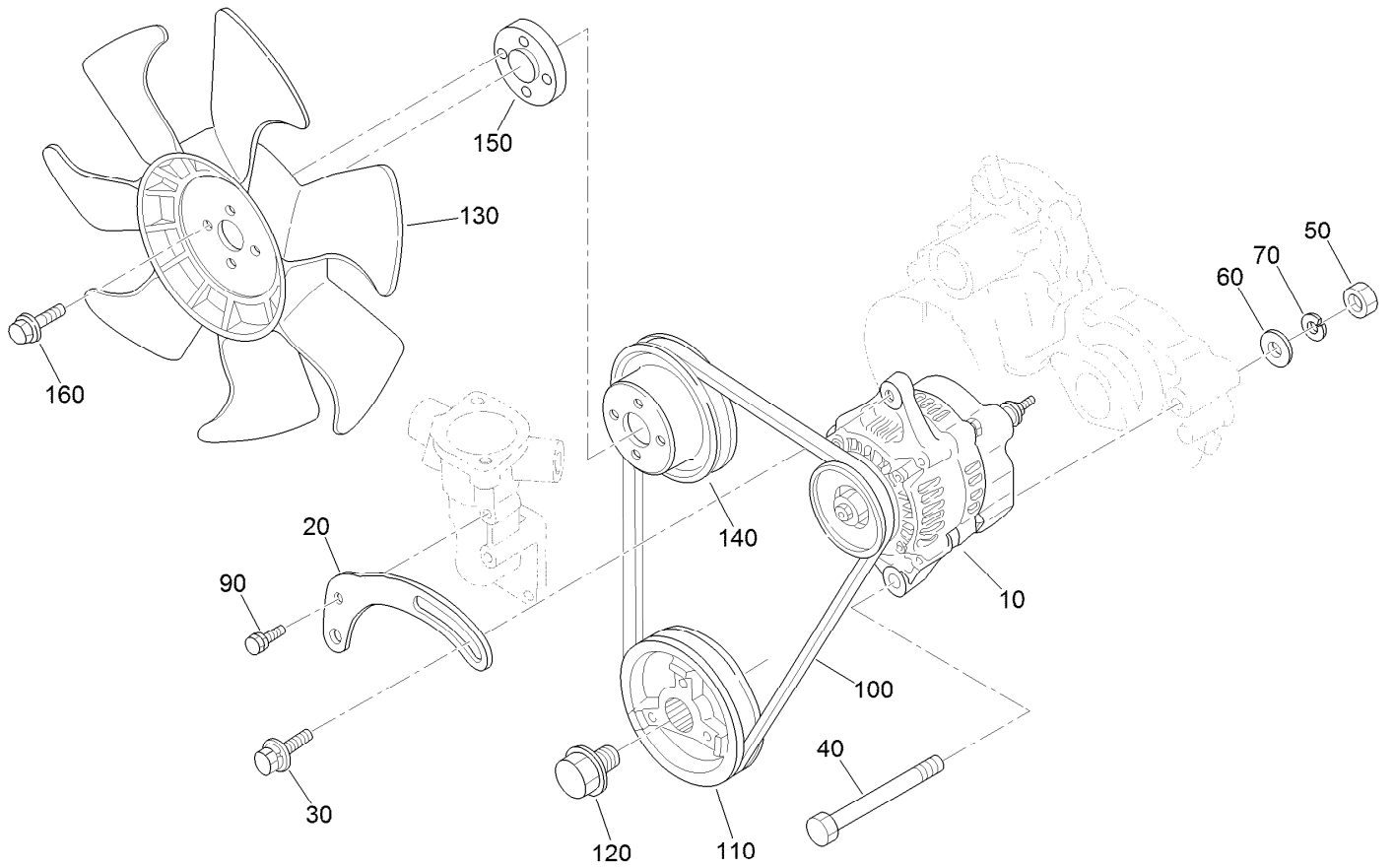
| <i>Ref.</i> | <i>Part Number</i> | <i>Qty.</i> | <i>Description</i> |
|-------------|--------------------|-------------|--------------------|
| 10 | 98-9620 | 1 | Overflow Pipe ASM |
| 20 | 98-9431 | 1 | Screw-Bleeder, Air |
| 30 | 98-7654 | 1 | Gasket |
| 40 | 98-9420 | 1 | Overflow Pipe ASM |
| 45 | 112-0182 | 1 | Pipe-Overflow |
| 50 | 98-7671 | 2 | Clip-Pipe |
| 60 | 115-3018 | 3 | Nozzle Holder Kit |
| 65 | 121-2411 | 3 | Nut |
| 70 | 98-7676 | 3 | Gasket |
| 80 | 98-7677 | 3 | Seal-Heat |

| <i>Ref.</i> | <i>Part Number</i> | <i>Qty.</i> | <i>Description</i> |
|-------------|--------------------|-------------|--------------------|
| 90 | 98-9653 | 1 | Pipe-Injection |
| 100 | 98-9654 | 1 | Pipe-Injection |
| 110 | 98-9655 | 1 | Pipe-Injection |
| 120 | 98-7682 | 2 | Clamp-Pipe |
| 130 | 98-7683 | 2 | Clamp-Pipe |
| 140 | 98-7684 | 2 | Screw (W/Washer) |
| 150 | 130-1411 | 3 | Plug-Glow |
| 160 | 98-9631 | 1 | Cord-Plug, Glow |
| 170 | 99-8377 | 3 | Nut-Flange |



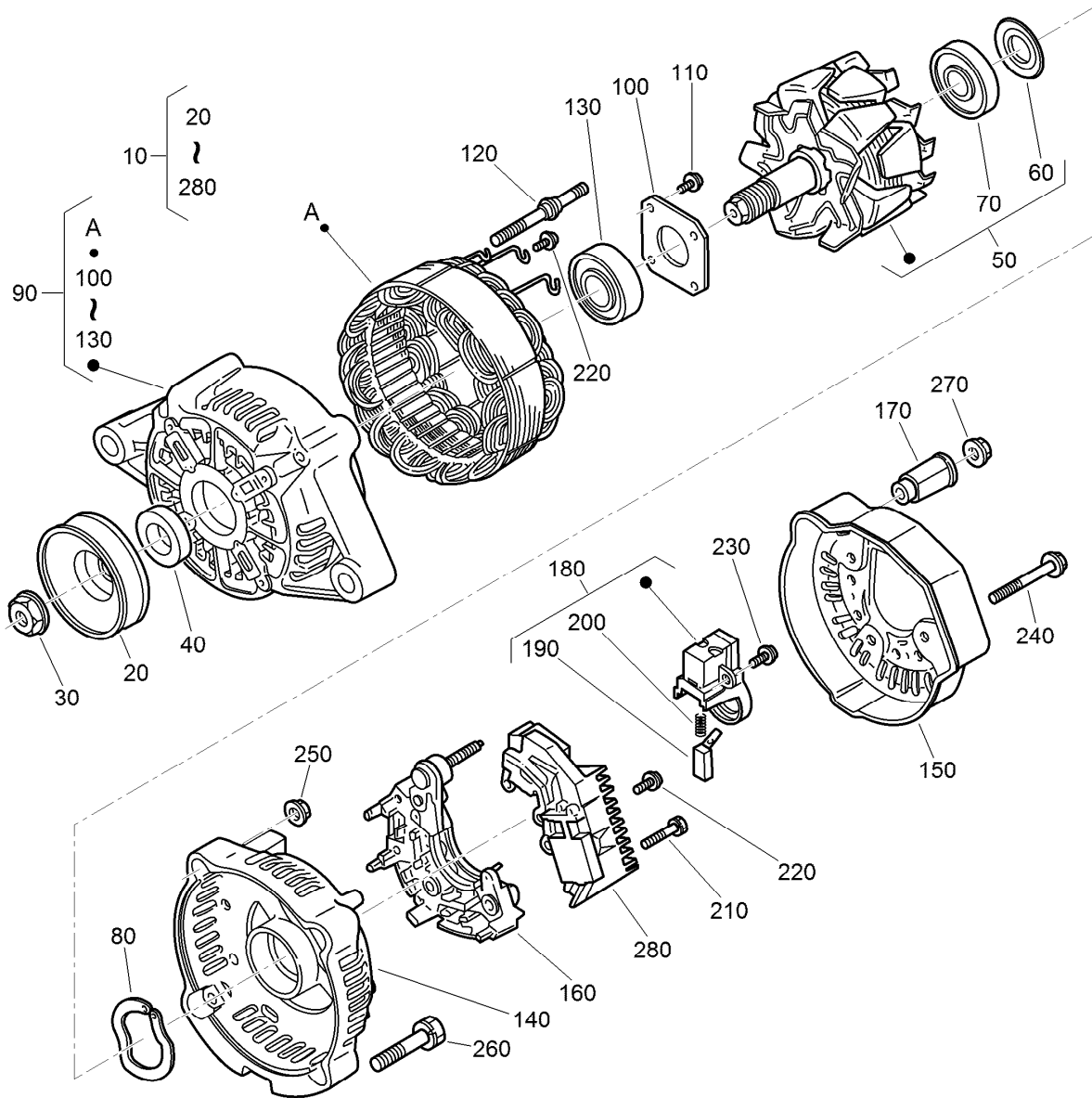
Nozzle Holder Assembly

| Ref. | Part Number | Qty. | Description | Ref. | Part Number | Qty. | Description |
|------|-------------|------|------------------------|------|-------------|------|------------------------|
| 10 | 115-3018 | 3 | Nozzle Holder Kit | 110 | 99-8311 | 3 | Washer-Adjust (0.20Mm) |
| 20 | 121-2411 | 3 | Nut | 110 | 99-8312 | 3 | Washer-Adjust (0.30Mm) |
| 30 | 99-8302 | 3 | Washer-Adjusting | 110 | 99-8313 | 3 | Washer-Adjust (0.40Mm) |
| 40 | 99-8303 | 3 | Spring-Nozzle | 110 | 99-8314 | 3 | Washer-Adjust (0.50Mm) |
| 50 | 99-8304 | 3 | Spacer-Distance | 110 | 99-8315 | 3 | Washer-Adjust (0.52Mm) |
| 60 | 99-8305 | 3 | Rod-Push | 110 | 99-8316 | 3 | Washer-Adjust (0.54Mm) |
| 70 | 99-8306 | 3 | Nut-Nozzle | 110 | 99-8317 | 3 | Washer-Adjust (0.56Mm) |
| 80 | 99-8307 | 3 | Washer-Plain | 110 | 99-8318 | 3 | Washer-Adjust (0.58Mm) |
| 90 | 115-3020 | 3 | Piece-Nozzle | 110 | 99-8319 | 3 | Washer-Adjust (0.80Mm) |
| 100 | 99-8309 | 3 | Adjusting Washer ASM | 120 | 98-7676 | 3 | Gasket |
| 110 | 99-8310 | 3 | Washer-Adjust (0.10Mm) | 130 | 98-7677 | 3 | Seal-Heat |



Alternator, Pulley and Fan Assembly

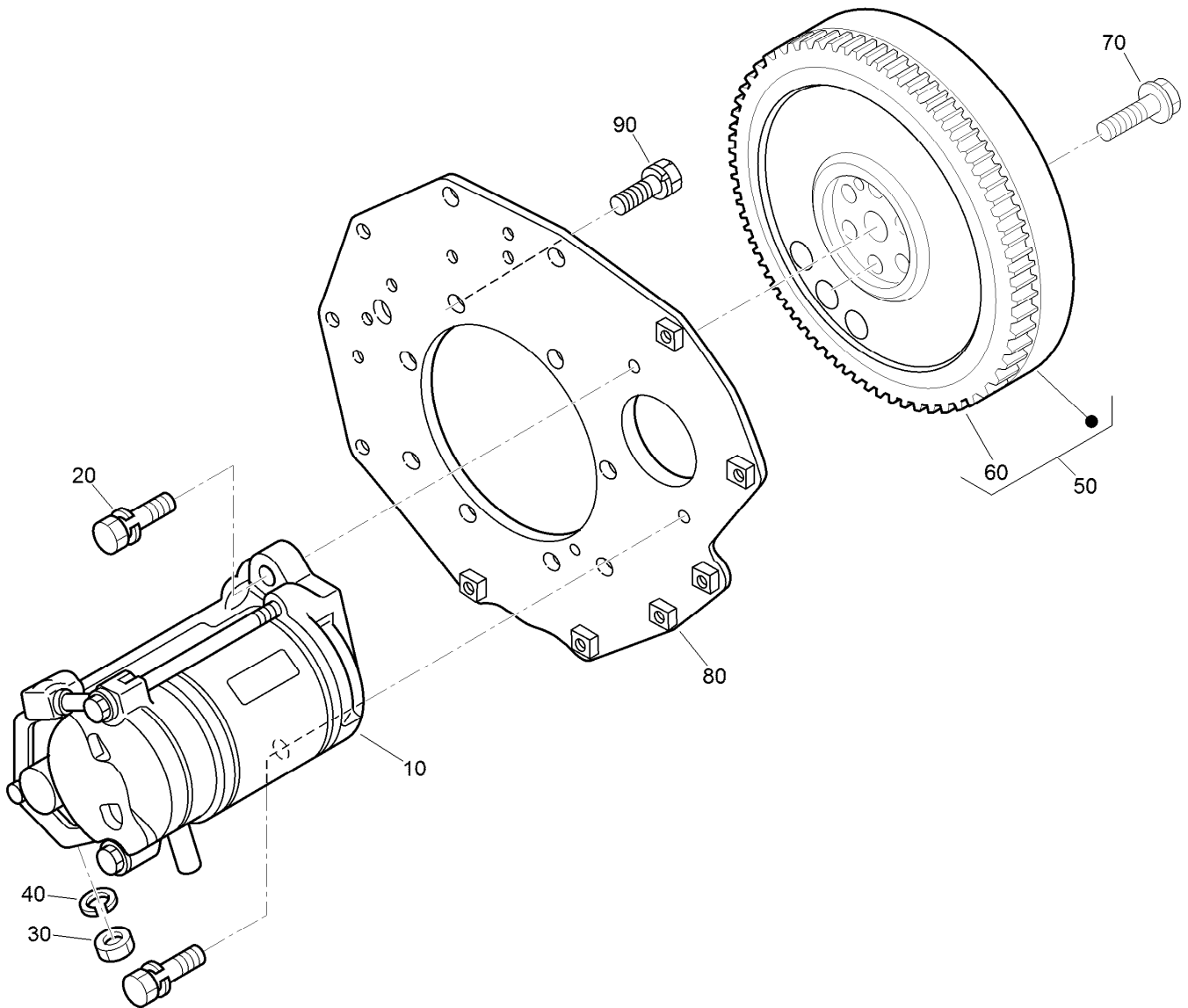
| Ref. | Part Number | Qty. | Description |
|------|-------------|------|-------------------|
| 10 | 131-6557 | 1 | Alternator ASM |
| 20 | 112-7047 | 1 | Stay-Dynamo |
| 30 | 108-7088 | 1 | Bolt |
| 40 | 98-9360 | 1 | Bolt |
| 50 | 98-7737 | 1 | Nut |
| 60 | 98-9366 | 1 | Washer-Plain |
| 70 | 98-7738 | 1 | Washer-Spring |
| 90 | 98-7692 | 1 | Bolt |
| 100 | 98-9676 | 1 | V-Belt |
| 110 | 98-9473 | 1 | Pulley-Drive, Fan |
| 120 | 98-9585 | 1 | Bolt |
| 130 | 104-4246 | 1 | Fan-Engine |
| 140 | 110-0972 | 1 | Pulley |
| 150 | 108-2872 | 1 | Collar-Fan |
| 160 | 108-2873 | 4 | Bolt-Flange |



Alternator Components Assembly

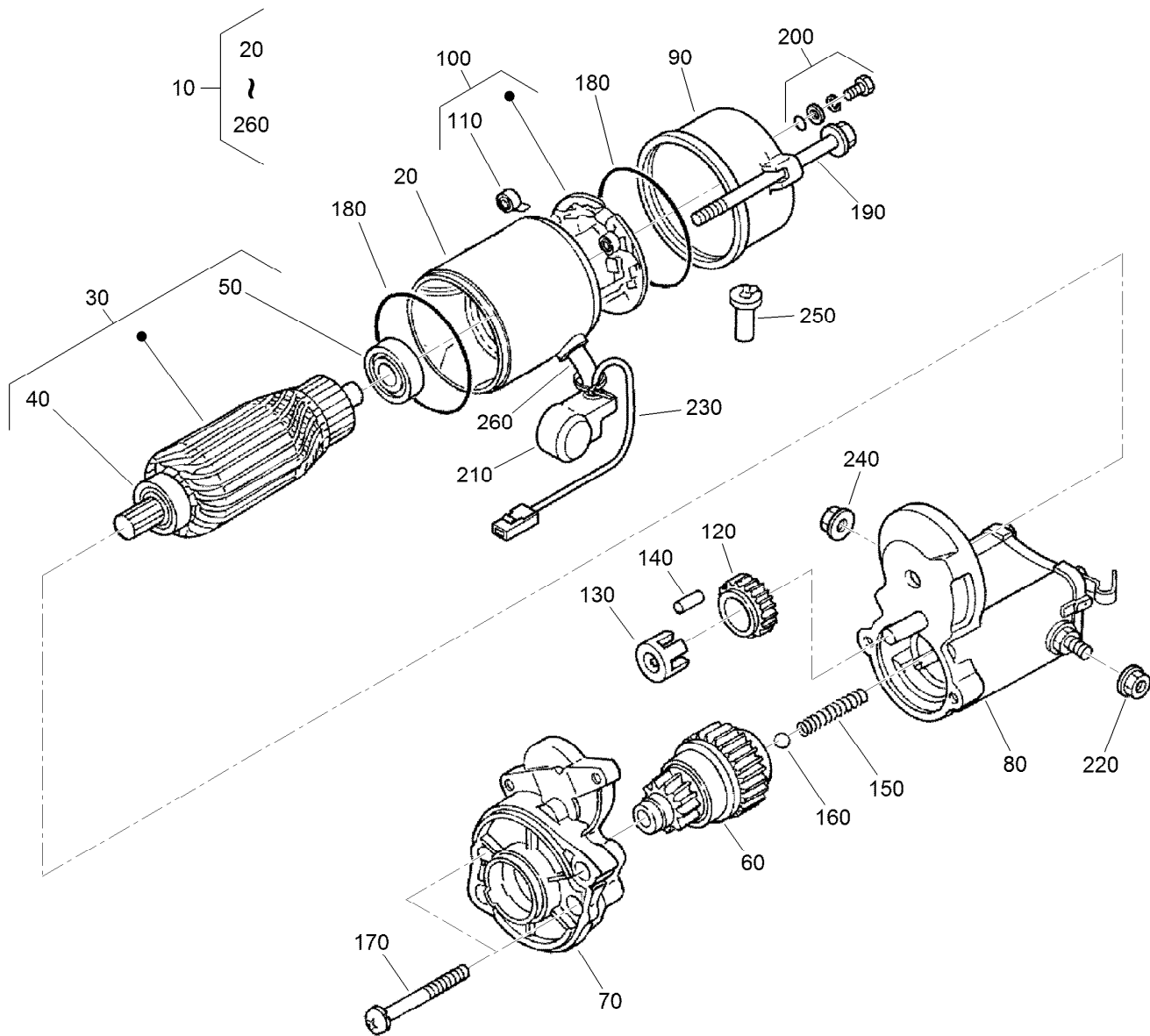
| Ref. | Part Number | Qty. | Description |
|------|-------------|------|---------------------|
| 10 | 131-6557 | 1 | Alternator ASM |
| 20 | 98-9453 | 1 | Pulley-Dynamo |
| 30 | 98-7708 | 1 | Nut |
| 40 | 98-7709 | 1 | Collar |
| 50 | 107-0136 | 1 | Rotor ASM |
| 60 | 98-7711 | 1 | Cover-Bearing |
| 70 | 107-0138 | 1 | Bearing-Ball |
| 80 | 98-7713 | 1 | Washer-Thrust |
| 90 | 107-0139 | 1 | Drive End Frame ASM |
| 100 | 98-7715 | 1 | Plate-Retainer |
| 110 | 98-7716 | 4 | Screw-Head, Round |
| 120 | 98-7717 | 2 | Bolt-Through |
| 130 | 133-2811 | 1 | Bearing |
| 140 | 107-9087 | 1 | Frame-End |

| Ref. | Part Number | Qty. | Description |
|------|-------------|------|--------------------|
| 150 | 107-0140 | 1 | Cover-End |
| 160 | 127-1612 | 1 | Rectifier ASM |
| 170 | 98-7722 | 1 | Bushing-Insulation |
| 180 | 107-0141 | 1 | Brush Holder ASM |
| 190 | 98-7724 | 2 | Brush |
| 200 | 98-7725 | 2 | Spring-Brush |
| 210 | 98-7726 | 2 | Screw-Head, Round |
| 220 | 98-7727 | 6 | Screw-Head, Round |
| 230 | 98-7728 | 1 | Screw-Head, Round |
| 240 | 98-7729 | 3 | Bolt |
| 250 | 98-7730 | 2 | Nut |
| 260 | 98-7731 | 2 | Bolt |
| 270 | 98-7732 | 1 | Nut |
| 280 | 110-3799 | 1 | Regulator ASM |



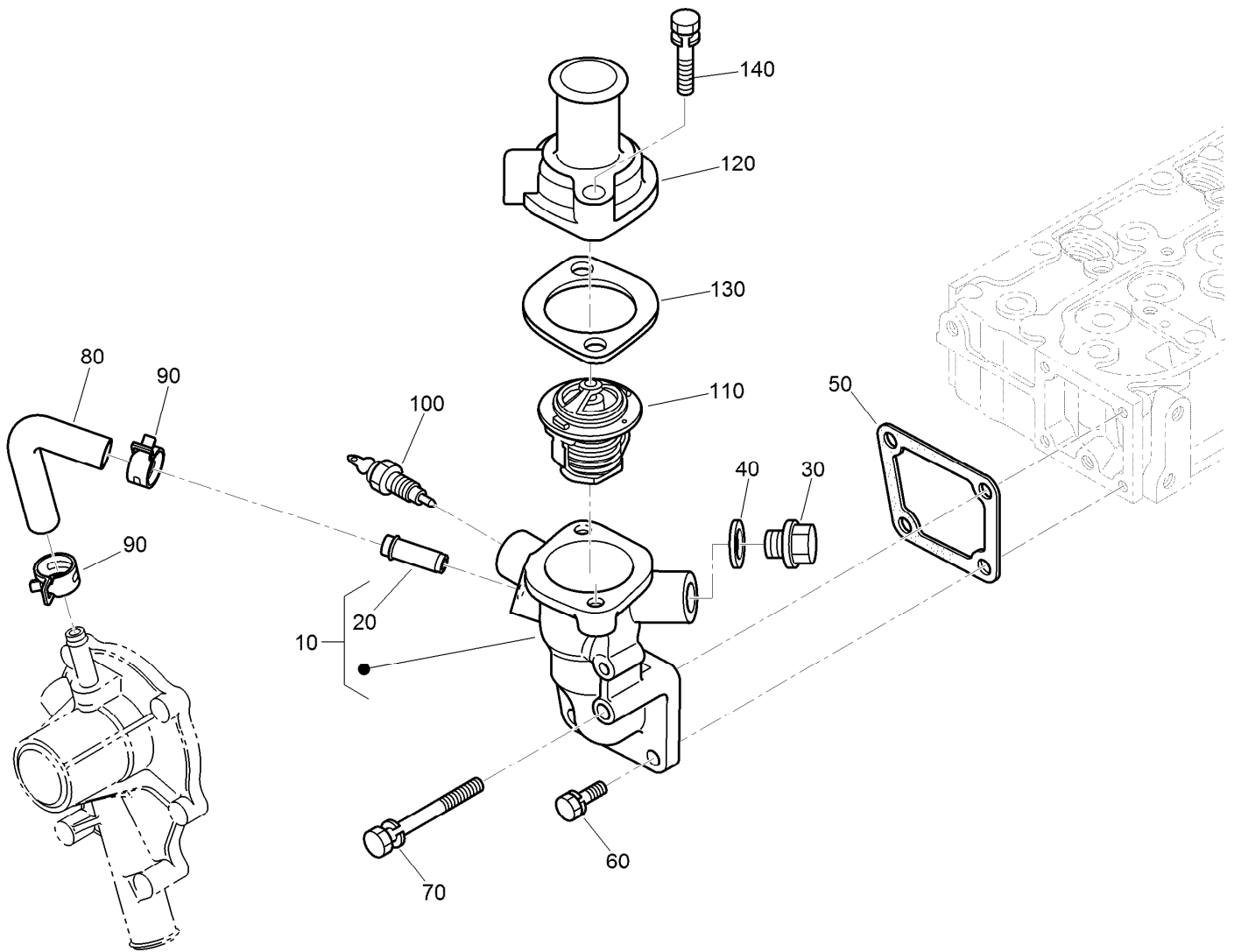
Starter and Flywheel Assembly

| Ref. | Part Number | Qty. | Description |
|------|-------------|------|-----------------|
| 10 | 98-9705 | 1 | Starter ASM |
| 20 | 98-7697 | 2 | Bolt |
| 30 | 98-7739 | 1 | Nut |
| 40 | 105-2893 | 1 | Washer-Spring |
| 50 | 105-3784 | 1 | Flywheel ASM |
| 60 | 115-3015 | 1 | Gear-Ring |
| 70 | 98-9537 | 6 | Bolt-Flywheel |
| 80 | 98-9486 | 1 | Plate-End, Rear |
| 90 | 98-9392 | 8 | Bolt |



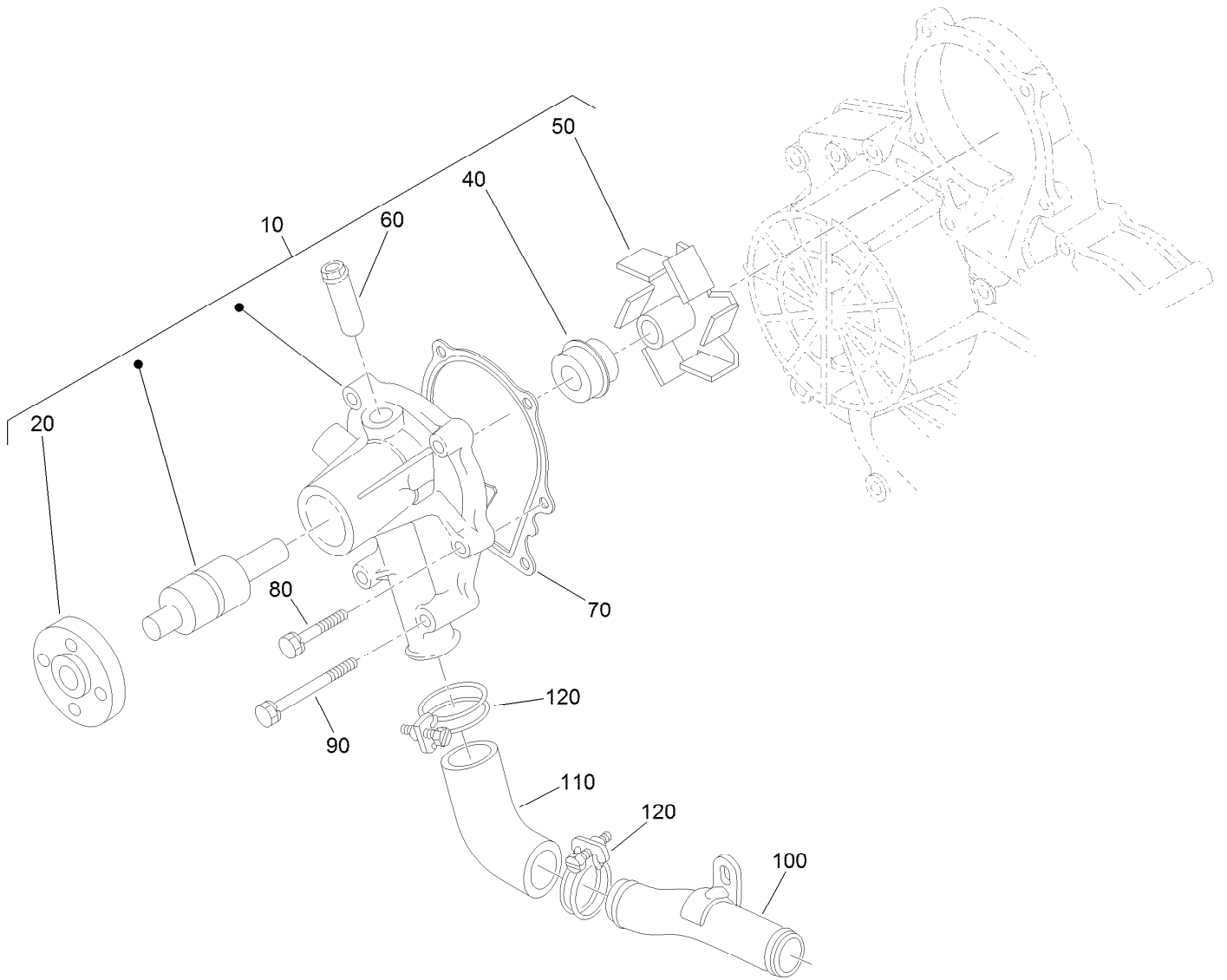
Starter Component Assembly

| <i>Ref.</i> | <i>Part Number</i> | <i>Qty.</i> | <i>Description</i> | <i>Ref.</i> | <i>Part Number</i> | <i>Qty.</i> | <i>Description</i> |
|-------------|--------------------|-------------|----------------------|-------------|--------------------|-------------|---------------------|
| 10 | 98-9705 | 1 | Starter ASM | 140 | 98-7753 | 5 | Roller |
| 20 | 104-8608 | 1 | Yoke ASM | 150 | 98-7754 | 1 | Spring |
| 30 | 98-7742 | 1 | Armature ASM | 160 | 98-7755 | 1 | Ball |
| 40 | 98-7744 | 1 | Bearing | 170 | 98-7756 | 2 | Bolt |
| 50 | 98-7743 | 1 | Bearing | 180 | 98-7757 | 2 | O-Ring |
| 60 | 99-8373 | 1 | Clutch-Running, Over | 190 | 100-9240 | 2 | Bolt |
| 70 | 99-8374 | 1 | Frame-End, Drive | 200 | 98-7758 | 2 | Bolt ASM |
| 80 | 105-3746 | 1 | Magnetic Switch ASM | 210 | 99-8375 | 1 | Cover |
| 90 | 98-7748 | 1 | Frame-End | 220 | 99-8371 | 1 | Nut-Hex |
| 100 | 98-7749 | 1 | Brush Holder ASM | 230 | 98-9711 | 1 | Cord-Solenoid, Stop |
| 110 | 98-7750 | 4 | Spring-Brush | 240 | 99-8376 | 1 | Nut-Hex |
| 120 | 98-7751 | 1 | Gear | 250 | 98-7759 | 1 | Pipe-Drain |
| 130 | 98-7752 | 1 | Retainer | 260 | 98-9712 | 1 | Band-Cover |



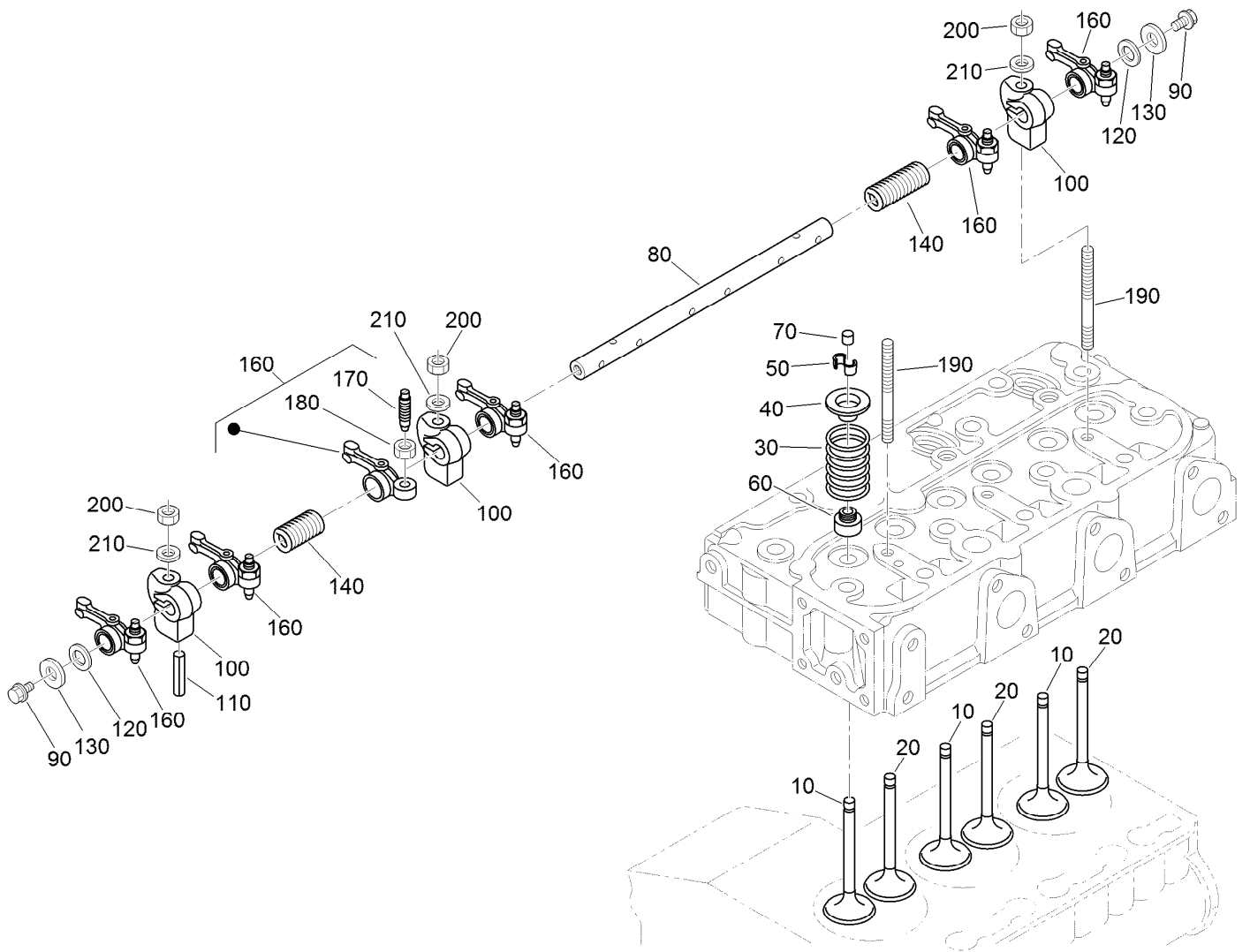
Water Flange and Thermostat Assembly

| <i>Ref.</i> | <i>Part Number</i> | <i>Qty.</i> | <i>Description</i> |
|-------------|--------------------|-------------|----------------------|
| 10 | 98-9713 | 1 | Water Flange ASM |
| 20 | 98-9580 | 1 | Pipe-Return, Water |
| 30 | 105-3747 | 1 | Plug |
| 40 | 99-3583 | 1 | Gasket |
| 50 | 98-9638 | 1 | Gasket-Flange, Water |
| 60 | 98-7692 | 3 | Bolt |
| 70 | 98-9356 | 1 | Bolt |
| 80 | 98-9578 | 1 | Pipe-Return, Water |
| 90 | 125-9078 | 2 | Clamp-Hose |
| 100 | 112-0183 | 1 | Switch-Thermometer |
| 110 | 98-7778 | 1 | Thermostat ASM |
| 120 | 98-9471 | 1 | Cover-Thermostat |
| 130 | 105-3748 | 1 | Gasket-Thermostat |
| 140 | 98-7777 | 2 | Bolt |



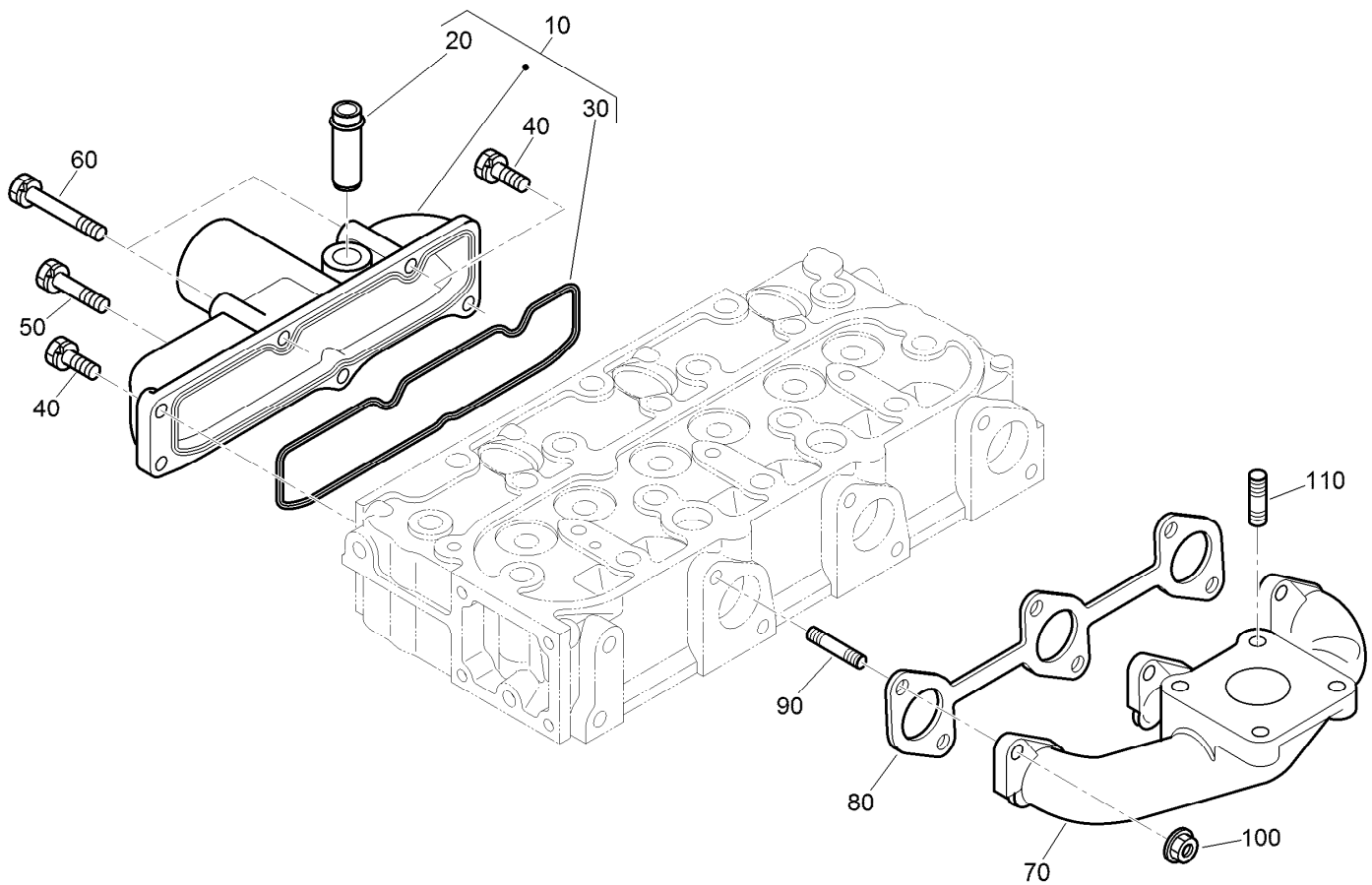
Water Pump Assembly

| Ref. | Part Number | Qty. | Description |
|-------------|--------------------|-------------|----------------------|
| 10 | 107-9089 | 1 | Water Pump ASM |
| 20 | 99-3516 | 1 | Flange-Pump, Water |
| 40 | 105-3750 | 1 | Mechanical Seal ASM |
| 50 | 112-7017 | 1 | Impeller-Pump, Water |
| 60 | 100-1932 | 1 | Pipe-Return, Water |
| 70 | 99-3454 | 1 | Gasket-Pump, Water |
| 80 | 98-9353 | 4 | Bolt |
| 90 | 107-9090 | 2 | Bolt |
| 100 | 98-9716 | 1 | Pipe-Water |
| 110 | 107-9091 | 1 | Pipe-Water |
| 120 | 127-0439 | 2 | Clamp-Hose |



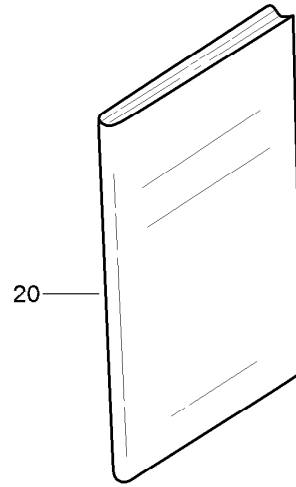
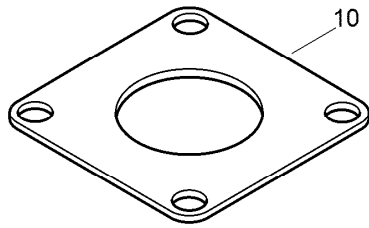
Valve and Rocker Arm Assembly

| <i>Ref.</i> | <i>Part Number</i> | <i>Qty.</i> | <i>Description</i> |
|-------------|--------------------|-------------|--------------------------|
| 10 | 112-7018 | 3 | Valve-Inlet |
| 20 | 120-2564 | 3 | Valve-Exhaust |
| 30 | 98-9648 | 6 | Spring-Valve |
| 40 | 107-9092 | 6 | Retainer-Spring |
| 50 | 117-7572 | 6 | Collet-Spring, Valve |
| 60 | 99-8385 | 6 | Seal-Stem, Valve |
| 70 | 98-9497 | 6 | Cap-Valve |
| 80 | 130-1248 | 1 | Shaft-Arm, Rocker |
| 90 | 99-8363 | 2 | Bolt-Flange |
| 100 | 98-9505 | 3 | Bracket-Arm, Rocker |
| 110 | 105-3758 | 1 | Pin-Spring |
| 120 | 98-9507 | 2 | Washer-Shaft, Rocker Arm |
| 130 | 110-3832 | 2 | Washer-Plain |
| 140 | 98-9504 | 2 | Spring-Arm, Rocker |
| 160 | 112-7020 | 6 | Rocker Arm ASM |
| 170 | 98-9502 | 6 | Screw-Adjusting |
| 180 | 98-9503 | 6 | Nut |
| 190 | 98-9506 | 3 | Stud |
| 200 | 98-9393 | 3 | Nut |
| 210 | 98-9385 | 3 | Washer-Flat |



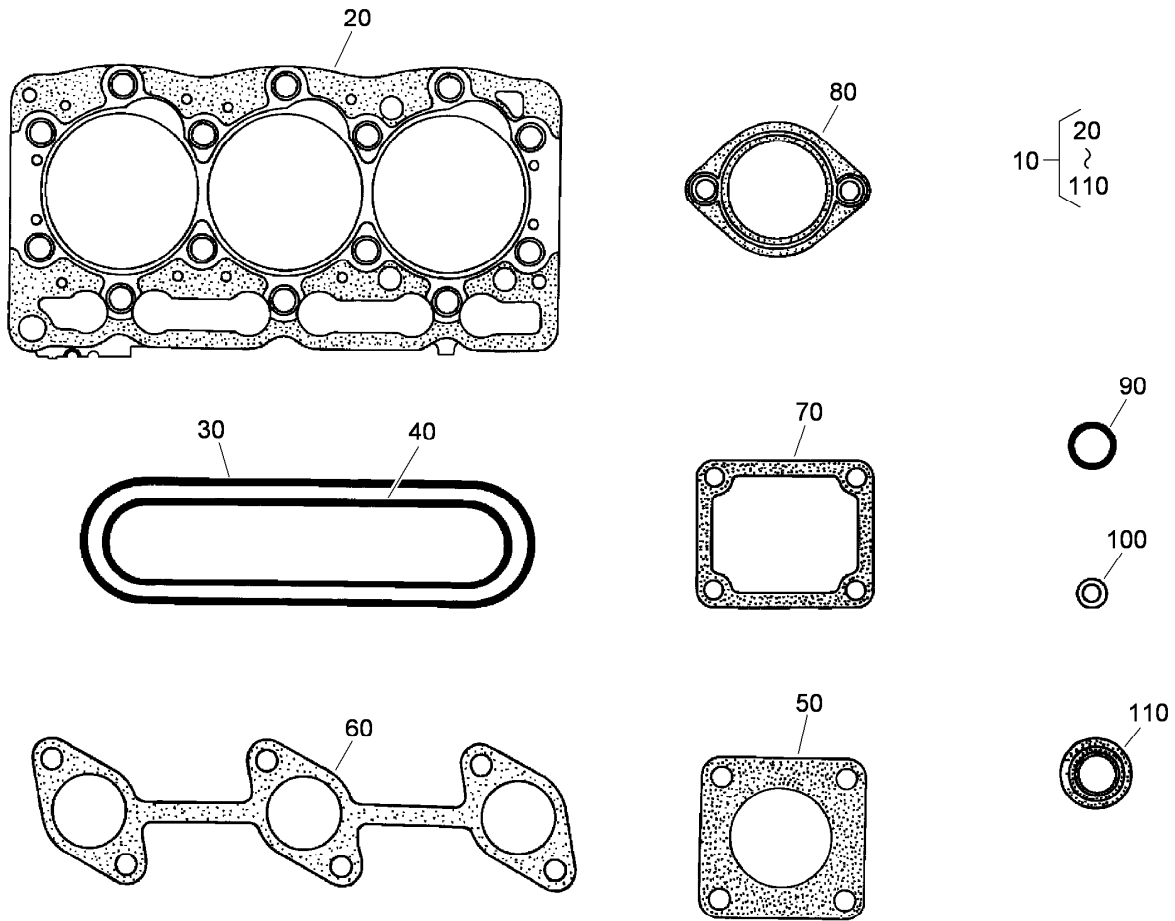
Inlet and Exhaust Manifold Assembly

| <i>Ref.</i> | <i>Part Number</i> | <i>Qty.</i> | <i>Description</i> |
|-------------|--------------------|-------------|--------------------------|
| 10 | 108-6577 | 1 | Inlet Manifold ASM |
| 20 | 98-9492 | 1 | Joint-Pipe, Breather |
| 30 | 98-9609 | 1 | Gasket-Manifold, Inlet |
| 40 | 127-0403 | 3 | Bolt-Flange |
| 50 | 98-9353 | 1 | Bolt |
| 60 | 125-9063 | 2 | Bolt-Sems |
| 70 | 107-9093 | 1 | Manifold-Exhaust |
| 80 | 99-8327 | 1 | Gasket-Manifold, Exhaust |
| 90 | 98-9588 | 6 | Stud |
| 100 | 98-9665 | 6 | Nut |
| 110 | 98-7769 | 4 | Stud |



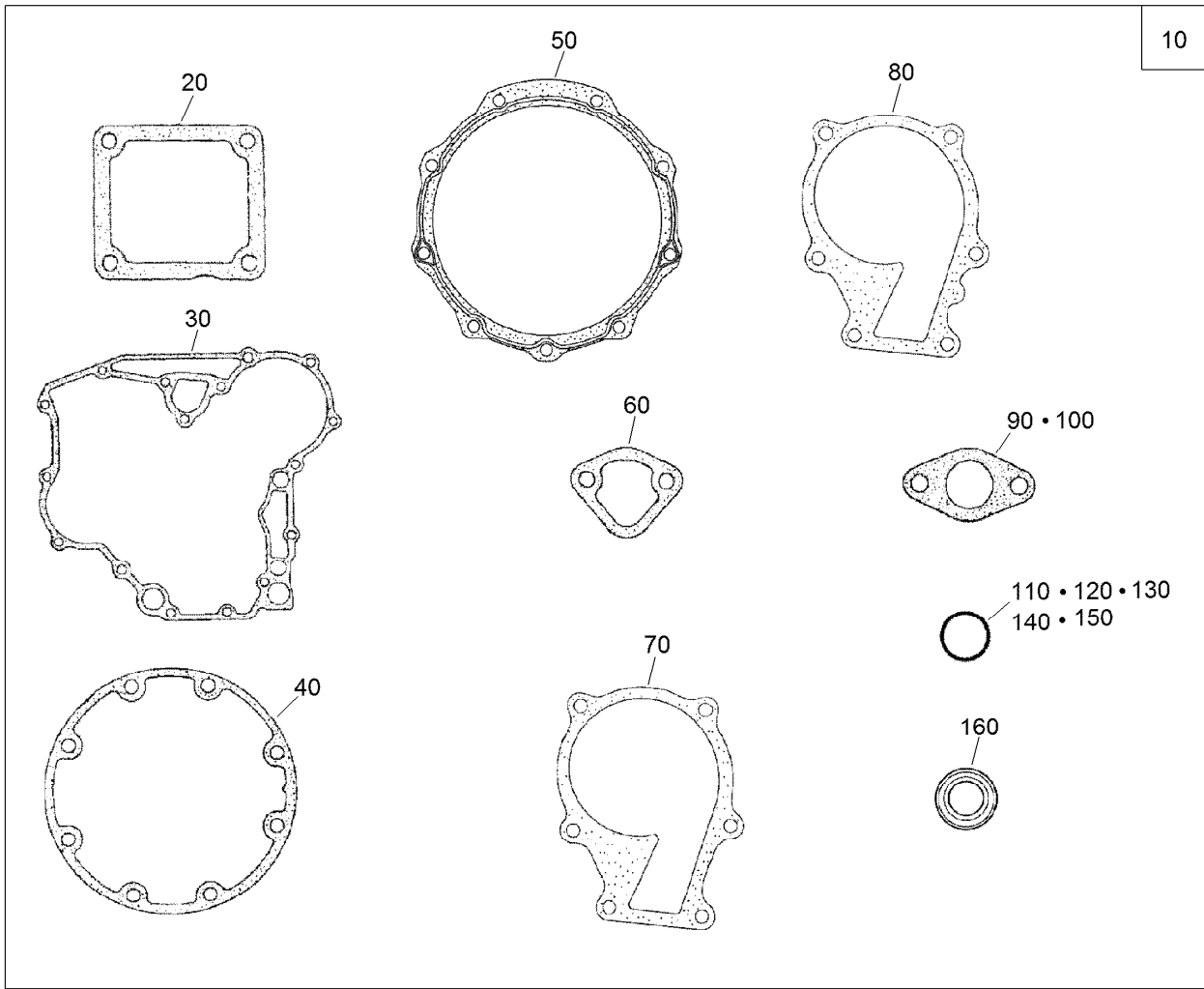
Miscellaneous Engine Parts

| <i>Ref.</i> | <i>Part Number</i> | <i>Qty.</i> | <i>Description</i> |
|-------------|--------------------|-------------|--------------------|
| 10 | 99-8343 | 1 | Gasket-Muffler |
| 20 | 130-1543 | 1 | Manual-Operator |



Upper Gasket Kit

| <i>Ref.</i> | <i>Part Number</i> | <i>Qty.</i> | <i>Description</i> |
|-------------|--------------------|-------------|--------------------------|
| 10 | 107-7848 | 1 | Upper Gasket Kit |
| 20 | 108-6573 | 1 | Gasket-Head, Cylinder |
| 30 | 98-9615 | 1 | Gasket-Cover, Head |
| 40 | 98-9609 | 1 | Gasket-Manifold, Inlet |
| 50 | 99-8343 | 1 | Gasket-Muffler |
| 60 | 99-8327 | 1 | Gasket-Manifold, Exhaust |
| 70 | 98-9638 | 1 | Gasket-Flange, Water |
| 80 | 105-3748 | 1 | Gasket-Thermostat |
| 90 | 99-3446 | 2 | O-Ring |
| 100 | 98-9454 | 3 | Gasket |
| 110 | 99-8385 | 6 | Seal-Stem, Valve |



Lower Engine Gasket Kit

| <i>Ref.</i> | <i>Part Number</i> | <i>Qty.</i> | <i>Description</i> |
|-------------|--------------------|-------------|----------------------|
| 10 | 130-1364 | 1 | Lower Gasket Kit |
| 20 | 98-9637 | 1 | Gasket |
| 30 | 98-9633 | 1 | Gasket-Case, Gear |
| 40 | 131-6554 | 1 | Gasket-Case, Bearing |
| 50 | 112-7037 | 1 | Gasket-Cover, Case |
| 60 | 117-7562 | 1 | Gasket-Pump, Fuel |
| 70 | 98-9632 | 1 | Gasket-Pump, Water |
| 80 | 99-3454 | 1 | Gasket-Pump, Water |

| <i>Ref.</i> | <i>Part Number</i> | <i>Qty.</i> | <i>Description</i> |
|-------------|--------------------|-------------|------------------------|
| 90 | 98-9682 | 1 | Gasket |
| 100 | 98-9683 | 1 | Gasket-Cover, Solenoid |
| 110 | 105-3781 | 2 | O-Ring |
| 120 | 105-3777 | 2 | O-Ring |
| 130 | 105-3783 | 1 | O-Ring |
| 140 | 105-3776 | 1 | O-Ring |
| 150 | 105-3788 | 1 | O-Ring |
| 160 | 98-7601 | 1 | Seal-Oil |

Attachments and Accessories

For 30495 Groundsmaster 7200 Series Traction Unit

| Product Name | Model/Part |
|--|-------------------|
| Auxiliary Hydraulic Power Kit..... | 30380 |
| Tooth Rake | 08751 |
| Auxiliary Power Unit..... | 30382 |
| Finish Grader..... | 08754 |
| Steel Drag Mat..... | 08757 |
| Drag Mat Carrier System | 08756 |
| Coco Drag Mat..... | 08758 |
| 42-pound Weight | 114-4096 |
| Premium Transmission/Hydraulic Tractor Fluid (55 Gallon Drum)..... | 108-1183 |
| Premium Transmission/Hydraulic Tractor Fluid (5 Gallon Pail) | 108-1184 |
| Green Diesel Cap | 107-2172 |
| Yellow Hydraulic Cap | 107-1576 |
| Overflow Tank Kit..... | 117-5570 |
| Brake Service Kit | 120-0015 |
| Jack-Stand Kit | 30483 |
| Fender Kit | 117-9170 |
| Polar Trac Cab..... | 30474 |
| V-Plow Mounting Kit..... | 30378 |
| Polar Trac Kit | 30675 |
| 48in V-Plow..... | 30750 |
| Universal Sunshade | 30349 |
| TÜV Kit Instructions | 111-5910 |
| TÜV Kit Instructions | 111-5243 |
| TÜV Kit - Speed Decal 20kph | 02980 |
| TÜV Kit - German Vehicle Serial Plate..... | 02983 |
| 5in Air Cleaner Safety Element..... | 114-4057 |
| Fuse-In Line..... | 111-5101 |
| CE Kit | 30240 |
| Blade-Belt Kit, 72in Side Discharge Deck | 105-7272 |
| Spark Arrestor Kit | 112-1688 |
| 400-hour Filter Maintenance Kit..... | 30052 |
| Rear QAS | 30812 |
| 60-Amp Alternator Kit, Kubota 05 Series-Powered Traction Unit | 117-5540 |
| Hitch Kit, Groundsmaster 7200/7210 Series Traction Unit with Kubota Engine | 130-8717 |
| Hitch Kit | 130-8718 |
| Wheel and Tire ASM | 110-6406 |
| Weight Mount Bracket Kit | 114-4090 |
| Weight Bracket Kit | 125-2670 |
| Premium Engine Oil 15w40 (55 Gallon Drum) | 121-6394 |
| Tire-Lug | 103-6771 |
| Premium Engine Oil 15w40 (5 Gallon Pail) | 121-6395 |
| Slow Moving Vehicle Kit..... | 114-4050 |
| North American Road Light Kit | 30374 |
| Recycler Kit, 60in Side Discharge Deck..... | 30348 |
| CE Kit, Grass Collection System..... | 117-9249 |
| 60in Side Discharge Mower..... | 30456 |

Attachments and Accessories (continued)

| | |
|---|----------|
| Baffle, Blower Housing | 30658 |
| Blade-Belt Kit..... | 105-7270 |
| 62in Rear Discharge Completion Kit | 30463 |
| 62in Guardian Recycler Completion Kit | 30306 |
| 62in Rotary Mower..... | 30457 |
| 62in CE Mower Cover Kit..... | 30683 |
| Blade-Belt Kit, 72in Guardian Only | 105-7271 |
| 72in Rear Discharge Completion Kit | 30466 |
| 72in Guardian Recycler Completion Kit | 30304 |
| 72in Guardian Fine Recycler Completion Kit | 30346 |
| 72in Base Deck..... | 30353 |
| 72in Guardian and Rear Discharge CE Mower Cover Kit | 30685 |
| Leaf Mulching Kit | 108-5273 |
| Recycler Kit, 72in Side Discharge Deck..... | 30347 |
| Striping Kit | 105-7273 |
| 72in Side Discharge Deck..... | 30481 |
| 72in Side Discharge Mower (CE)..... | 30354 |
| CE Kit, 72in Side Deck With French Guards | 30679 |
| 100in Rear Discharge Deck | 31101 |
| Adapter Kit for 100in Rear Discharge Deck..... | 31104 |
| Leaf Mulching Kit for 100in Rear Discharge Deck | 31105 |
| 100in CE Mower Cover Kit..... | 30687 |



Count on it.