



Count on it.

Parts Catalog

**76cm TurfMaster
Walk-Behind Lawn Mower**

Model No. 22207—Serial No. 40000000 and Up



Ordering Replacement Parts

To order replacement parts, please supply the part number, the quantity, and the description of each part desired.

Understanding Reference Numbers

Each identified part in an illustration has a reference number. The reference number for a part also appears in the parts list, along with other information about the part.

This catalog uses two special reference number formats, one to indicate parts in a service assembly and another to indicate the quantity of a given part in an illustration.

Service Assembly Reference Numbers

Parts in service assemblies have reference numbers in the form a:b. The a represents the reference number of the entire service assembly and the b represents a sequential number unique to each part within the service assembly.

For example, a wheel assembly might be identified by reference number 6, the tire by 6:1, the valve by 6:2, and the wheel by 6:3. When you order the assembly identified by reference number 6, you receive all parts identified by reference numbers 6:1, 6:2, and 6:3. However, you may also order any part individually. Reference numbers of this type appear in illustration and in parts lists.

Reference Numbers Indicating Quantity

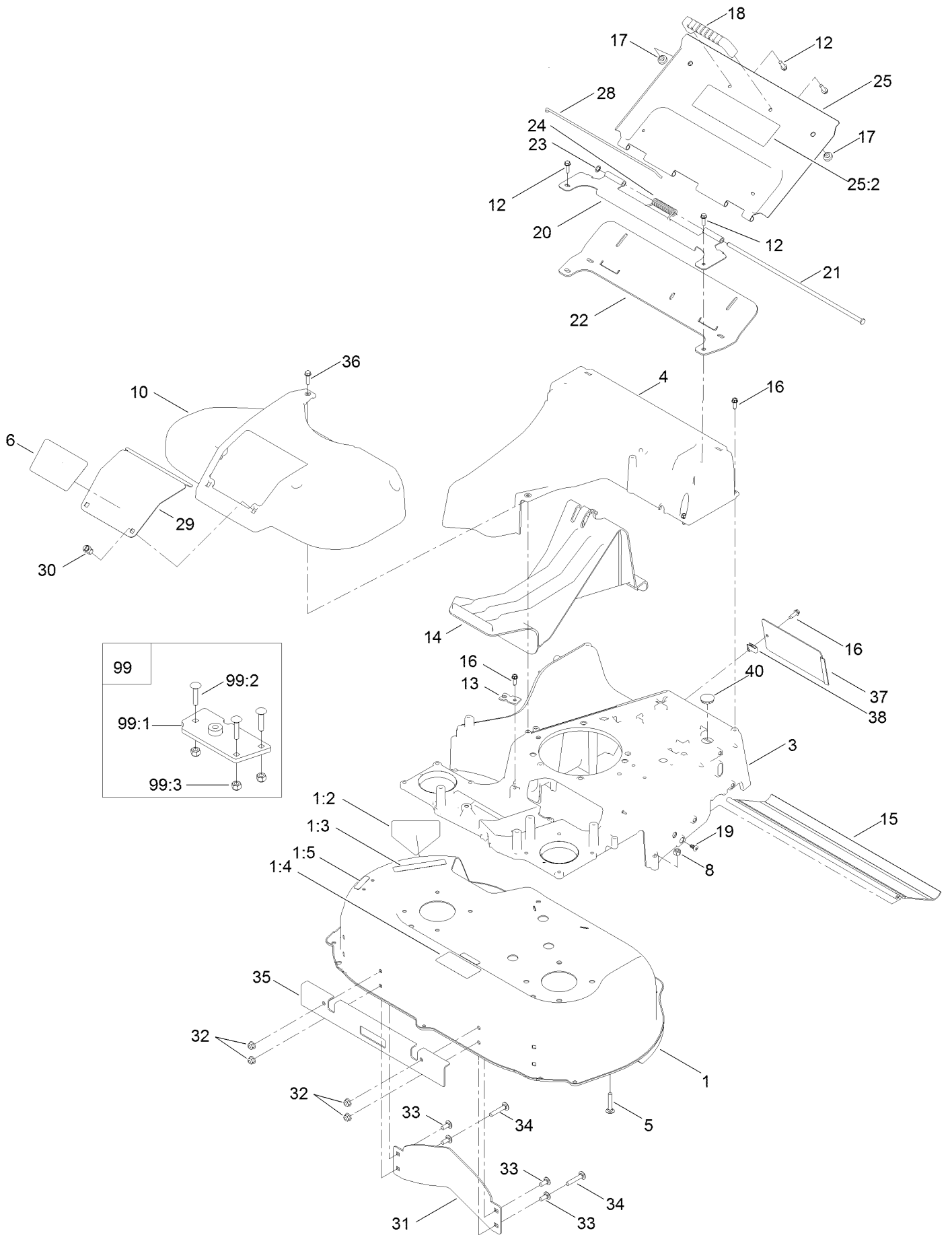
In an illustration, if a reference number indicates more than one part, the reference number has the form nX y. The n represents the quantity of the part, the X is the multiplication symbol, and the y represents the reference number.

For example, in an illustration, the reference number 2X 37 means that two of the parts identified by reference number 37 are indicated.

Contents

Deck, Frame and Chute Assembly	4
Blade and Spindle Assembly	6
Pulleys and Idler Assembly No. 126-7890	8
Side Discharge Chute Assembly	10
Grass Bag Assembly	12
Engine and Fuel Tank Assembly	14
Front Bumper and Wheel Assembly	16
Transmission and HOC Assembly	18
Transmission Assembly Pulley and Fan Repair Assembly No. 139-1837	20
Transmission Assembly Idler Pulley and Fan Repair Assembly No. 139-1842	22
Transmission Assembly Clutch Lever Repair Assembly No. 139-8974	24
Handle Assembly	26
Attachments and Accessories	28

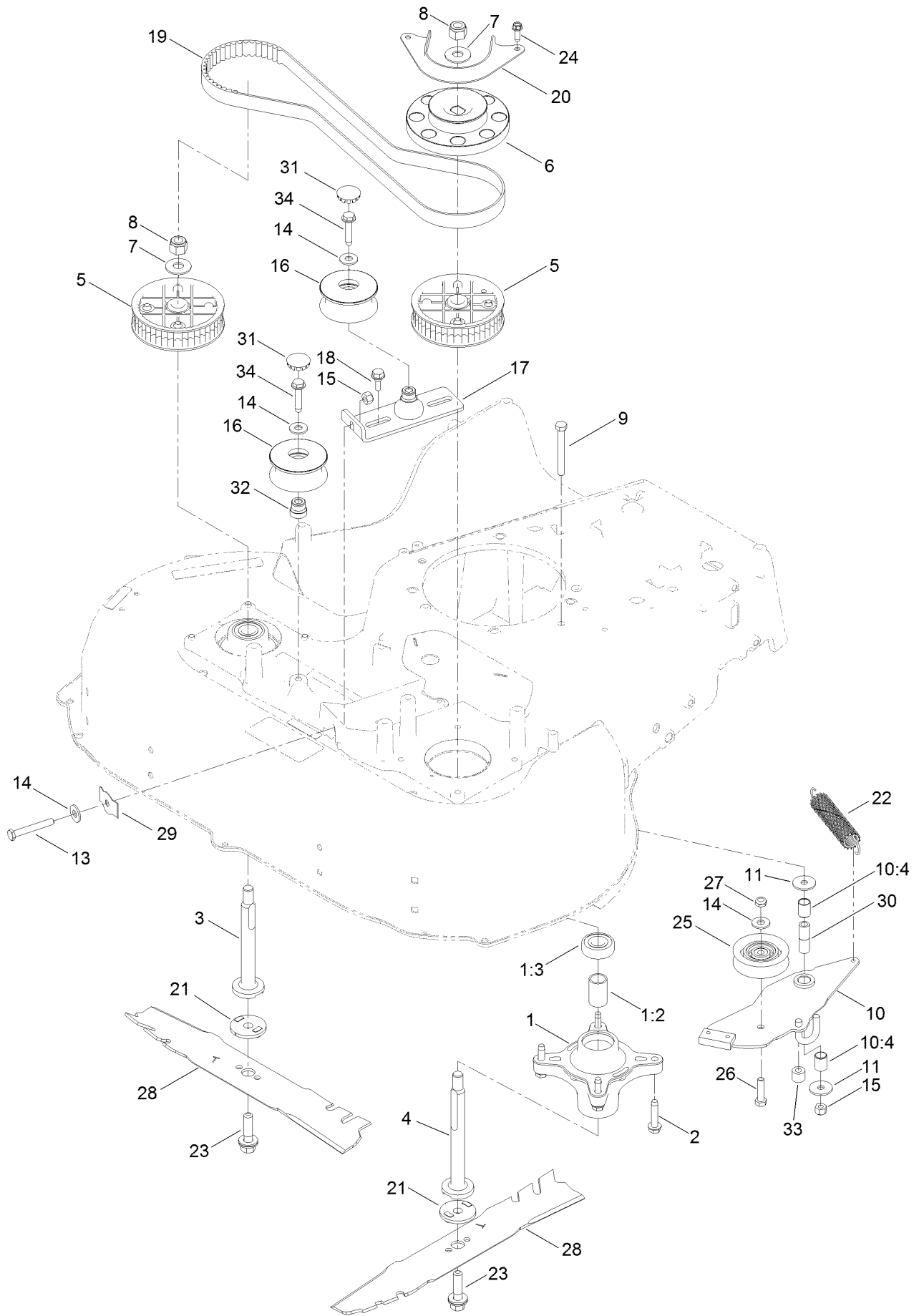
Deck, Frame and Chute Assembly



Deck, Frame and Chute Assembly (continued)

<i>Ref.</i>	<i>Part Number</i>	<i>Qty.</i>	<i>Description</i>	<i>Ref.</i>	<i>Part Number</i>	<i>Qty.</i>	<i>Description</i>
1	136-5901	1	Deck-30 Inch	22	116-6229	1	Seal-Door
1:2	112-8760	1	Decal-Danger	23	32151-72	1	Ring-Retaining
1:3	93-7009	1	Decal-Danger	24	116-7573	1	Spring-Torsion, Cover
1:4	116-8528	1	Decal	25	116-8355	1	Rear Door ASM
1:5	120-9570	2	Decal-Warning	25:2	116-7583	1	Decal-Warning
3	133-8107-01	1	Frame	28	116-6966	1	Clip-Seal
4	133-8177	1	Chute	29	121-5793-03	1	Door-Access
5	3230-5	2	Bolt-CARR	30	121-5840	2	Fastener
6	139-1824	1	Decal-76Cm	31	130-2352-01	1	Baffle-Control
8	3296-29	2	Nut-Lock, NI	32	104-8300	4	Nut-HF, NI
10	139-5406	1	Cover-Belt	33	3230-23	2	Screw-CARR
12	46-8091	4	Screw-HWH	34	116-0629	2	Screw-CARR
13	138-3224	1	Bracket-Cable, Traction	35	127-6862-01	1	Plate-Deck
14	120-5225	1	Plug-Mulch	36	32144-86	1	Screw-HWHTF
15	121-5841	1	Shield-Trailing	37	138-5332-01	1	Cover-Frame
16	49-2040	9	Screw-HWHTF	38	107069	1	Clip
17	1-513658	2	Bumper	40	126-7151	1	Plug-Button
18	65-5100	1	Handle-Door	99	125-5072	1	Frame Plate Kit
19	117-1092	2	Screw-PTH	99:1	125-2542	1	Plate-Frame
20	116-6351-03	1	Bracket-Hinge	99:2	3229-3	3	Screw-CARR
21	116-6933	1	Pin-Hinge	99:3	3296-42	3	Nut-Lock, NI

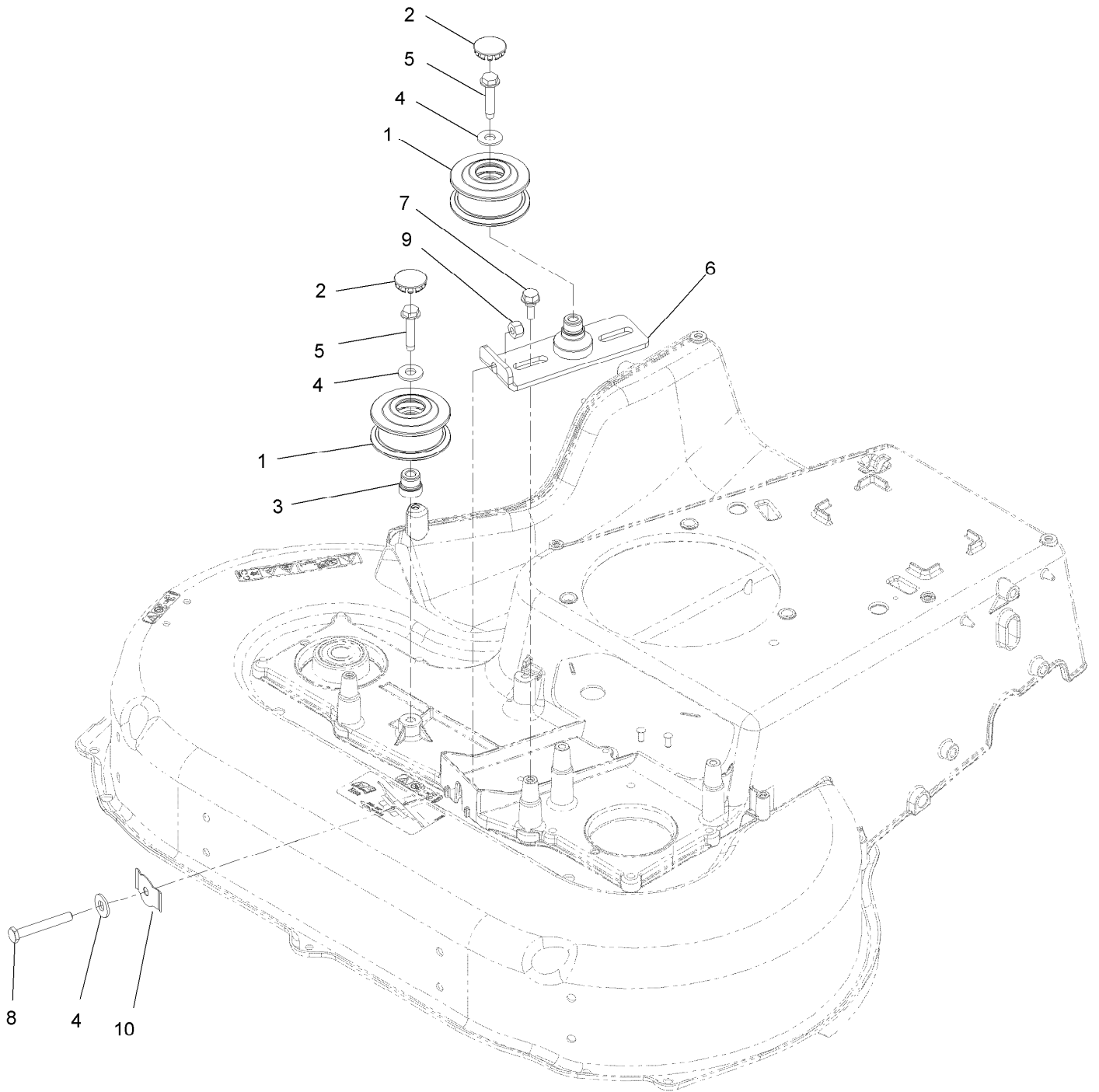
Blade and Spindle Assembly



Blade and Spindle Assembly (continued)

<i>Ref.</i>	<i>Part Number</i>	<i>Qty.</i>	<i>Description</i>	<i>Ref.</i>	<i>Part Number</i>	<i>Qty.</i>	<i>Description</i>
1	121-9107	2	Spindle ASM	17	126-6453	1	Bracket-Idler
1:2	120-7935	2	Spacer	18	120-7024	2	Screw-Shoulder, HWH
1:3	136-5441	2	Bearing-Ball	19	120-3335	1	Belt-Synchronous
2	139-1731	8	Screw-Thd Roll, HWH	20	120-5245-03	1	Guide-Belt, Spindle
3	120-5234	1	Shaft-Spindle	21	120-5236	2	Adapter-Blade
4	120-5235	1	Shaft-Spindle	22	121-5808	1	Spring-Extension, Brake
5	121-9100	2	Sprocket	23	125-2466	2	Bolt-Blade
6	130-6664	1	Pulley-Brake, Spindle	24	49-2040	2	Screw-HWHTF
7	109-9505	2	Washer-Spring	25	120-7082	1	Pulley-Idler
8	3296-19	2	Nut-Hex	26	322-6	1	Screw-HH
9	322-13	1	Screw-HH	27	3296-47	1	Nut-Lock, NI
10	136-5903	1	Brake Arm ASM	28	120-9500-03	2	Blade-Atomic, 15.4 Inch
10:4	131-0819	2	Bushing-Sleeve	29	121-2336	1	Spring-Flat
11	5-4460	2	Washer-Pivot	30	131-0823	1	Spacer-Brake
13	9114524	1	Bolt-TAP, HH	31	126-7151	2	Plug-Button
14	3256-3	4	Washer-Flat	32	131-4504	1	Adapter-Bore
15	3296-29	2	Nut-Lock, NI	33	133-1964	1	Hose-Coolant
16	126-7890	1	Pulleys And Idler Kit	34	32144-57	2	Screw

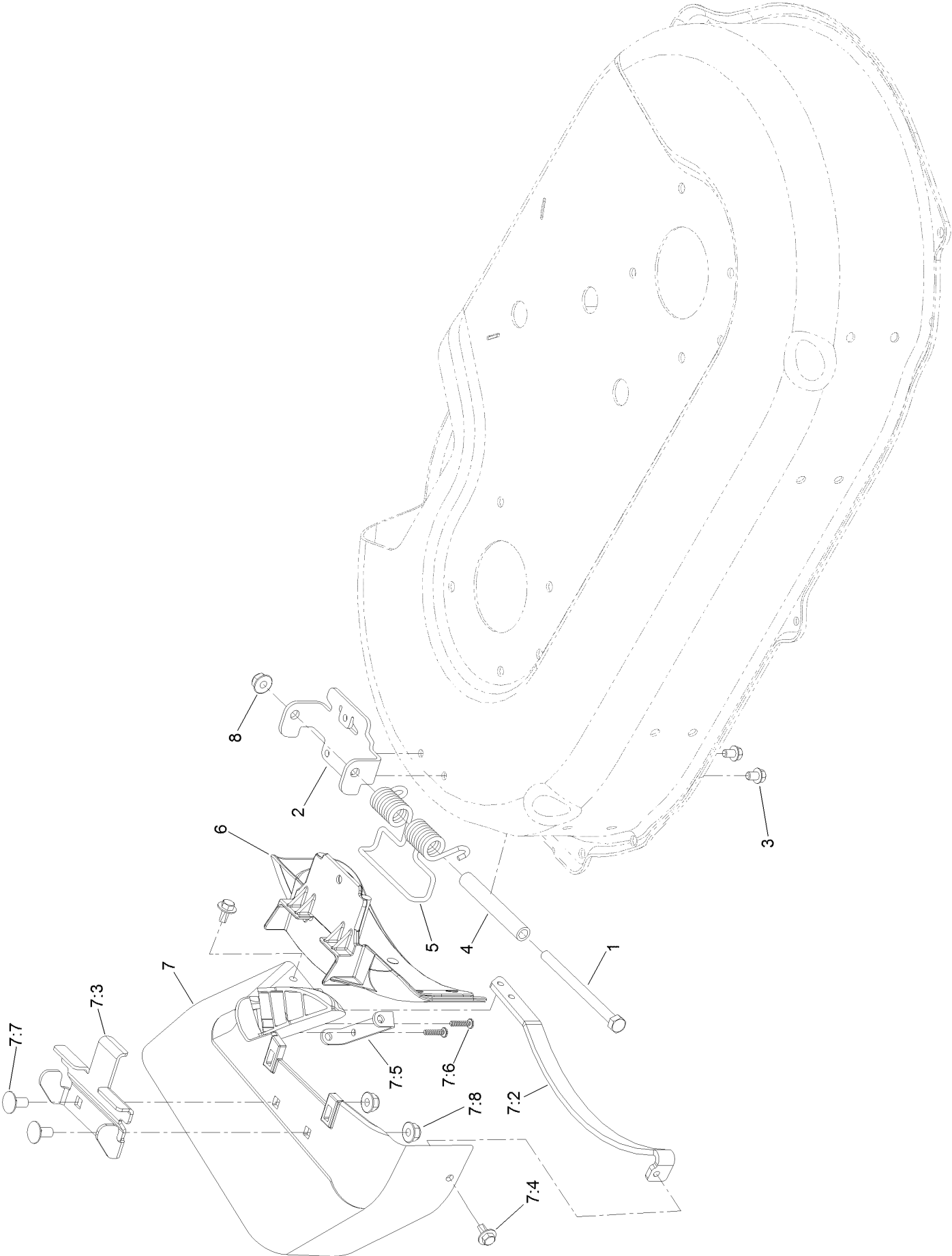
Pulleys and Idler Assembly No. 126-7890



Pulleys and Idler Assembly No. 126-7890 (continued)

<i>Ref.</i>	<i>Part Number</i>	<i>Qty.</i>	<i>Description</i>	<i>Ref.</i>	<i>Part Number</i>	<i>Qty.</i>	<i>Description</i>
1	126-5880	2	Pulley-Idler, Flat	6	126-6453	1	Bracket-Idler
2	126-7151	2	Plug-Button	7	120-7024	2	Screw-Shoulder, HWH
3	131-4504	1	Adapter-Bore	8	9114524	1	Bolt-TAP, HH
4	3256-3	3	Washer-Flat	9	3296-29	1	Nut-Lock, NI
5	32144-57	2	Screw	10	121-2336	1	Spring-Flat

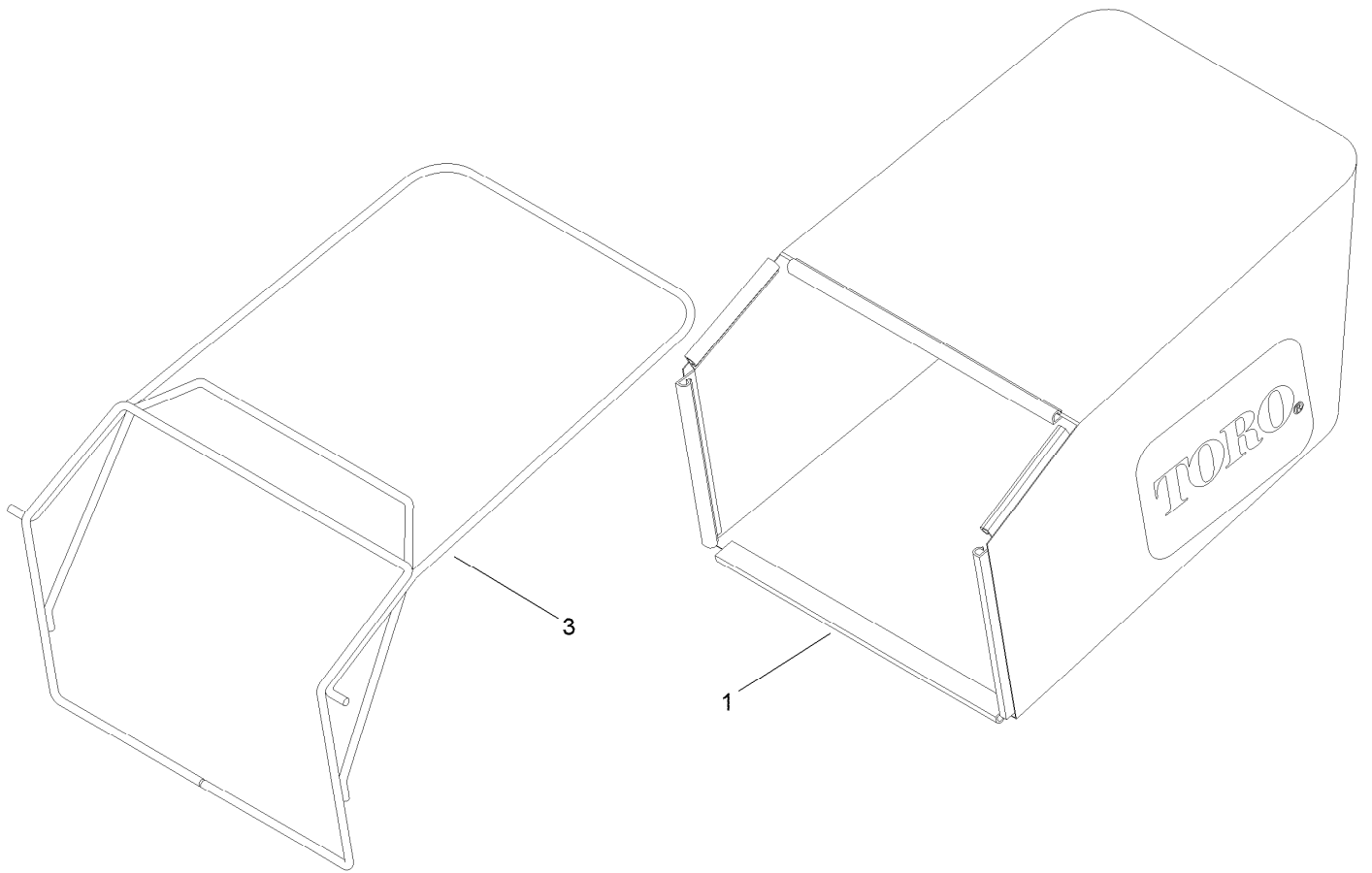
Side Discharge Chute Assembly



Side Discharge Chute Assembly (continued)

<i>Ref.</i>	<i>Part Number</i>	<i>Qty.</i>	<i>Description</i>	<i>Ref.</i>	<i>Part Number</i>	<i>Qty.</i>	<i>Description</i>
1	322-38	1	Screw-HH	7:3	121-9196	1	Bracket-Chute
2	121-9195	1	Hinge	7:4	46-8560	2	Screw-HHFTF
3	99-8445	2	Screw-HWH	7:5	112-6416	1	Bracket-Cover
4	125-2478	1	Spacer	7:6	94-4496	2	Screw-PPH
5	121-9193	1	Spring-Torsion	7:7	3230-18	2	Screw-CARR
6	125-5093-01	1	Cover-Discharge	7:8	104-8300	2	Nut-HF, NI
7	116-9754	1	Side Discharge Chute ASM	8	104-8300	1	Nut-HF, NI
7:2	116-9752-03	1	Guard-Chute				

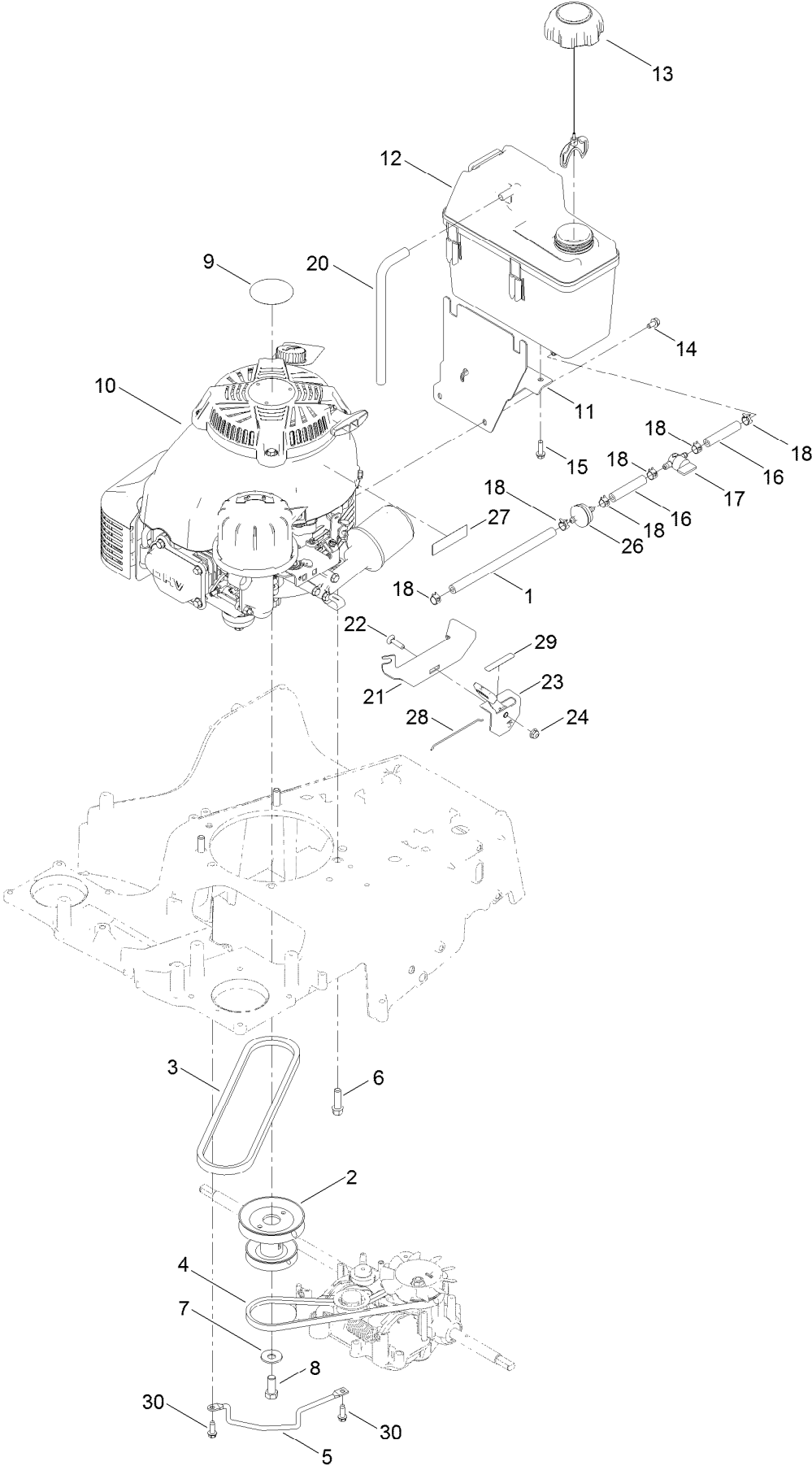
Grass Bag Assembly



Grass Bag Assembly (continued)

<i>Ref.</i>	<i>Part Number</i>	<i>Qty.</i>	<i>Description</i>
1	121-5775	1	Grass Bag ASM
3	116-5596-03	1	Frame-Bag

Engine and Fuel Tank Assembly



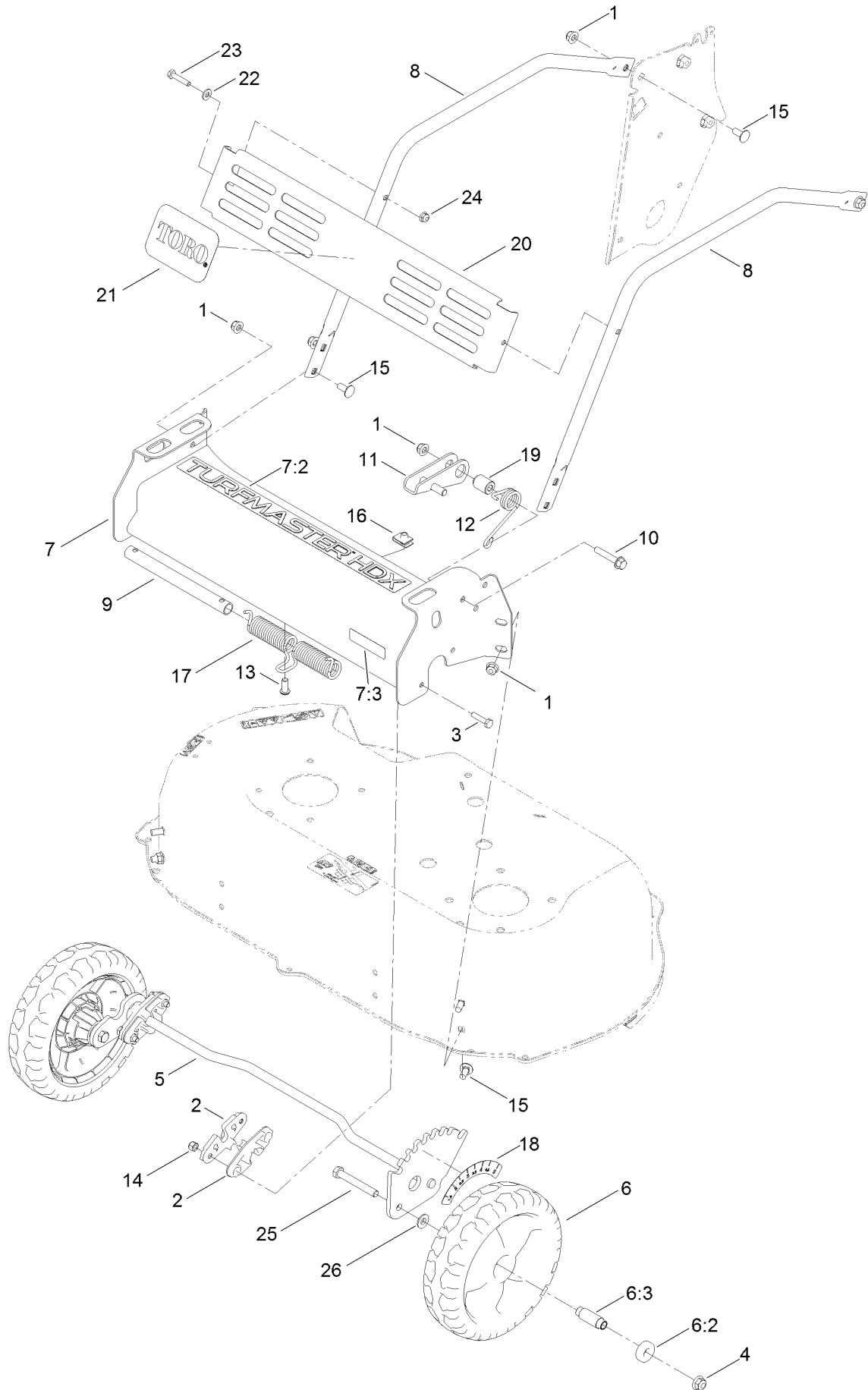
Engine and Fuel Tank Assembly (continued)

<i>Ref.</i>	<i>Part Number</i>	<i>Qty.</i>	<i>Description</i>	<i>Ref.</i>	<i>Part Number</i>	<i>Qty.</i>	<i>Description</i>
1	119-1892	1	Hose-Fuel	15	46-8091	2	Screw-HWH
2	137-9181	1	Pulley-Engine	16	109-0304	2	Hose-Fuel
3	121-5765	1	V-Belt	17	1-603770	1	Valve-Fuel
4	133-8151	1	Belt-V	18	2412-98	6	Clamp-Hose
5	138-5331-03	1	Rod-Guide, Belt	20	115-0962	1	Hose-Vent, Canister
6	95-1727	3	Screw-Taptite	21	130-6440-03	1	Bracket-Mount, Throttle
7	3290-465	1	Washer-Belleville	22	3229-30	1	Screw-CARR
8	3212-4	1	Screw-HH	23	130-9655	1	Control-Throttle
9	109-6528	1	Decal-Recoil	24	104-7201	1	Nut-HF
10		1	Engine-Fj180V Kaw BBC ●■	26	139-5916	1	Filter-Fuel
11	115-0954-03	1	Mount-Tank	27	116-9313	1	Decal-Warning, Engine
12	114-0280	1	Tank-Fuel	28	130-9654	1	Wire-Control
13	137-4127	1	Cap-Fuel	29	130-9656	1	Decal-Throttle, Choke
14	116-8929	3	Screw-HWH	30	49-2040	2	Screw-HWHTF

● Not serviced separately

■ Obtain parts from www.kawpowerepc.com

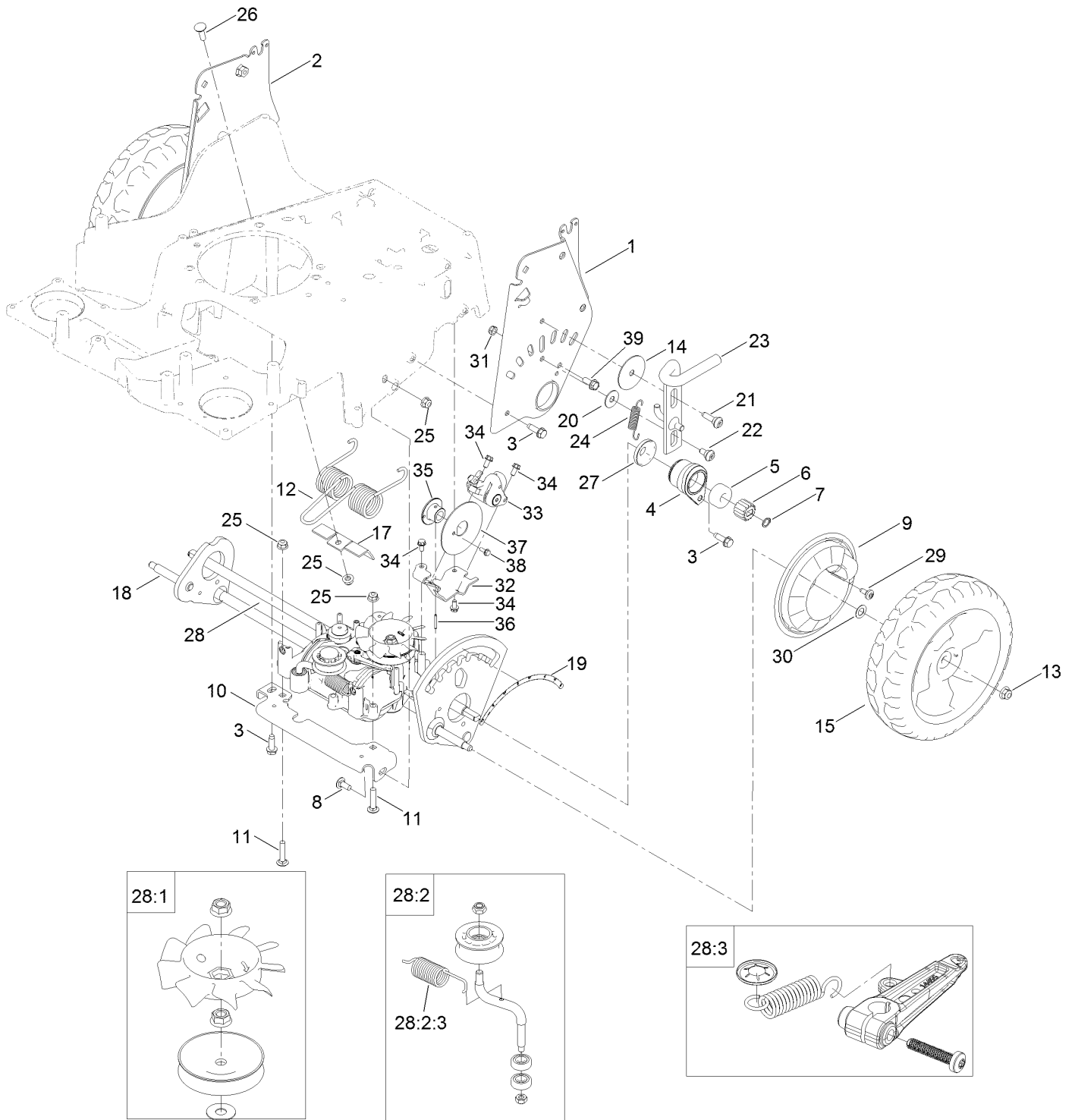
Front Bumper and Wheel Assembly



Front Bumper and Wheel Assembly (continued)

<i>Ref.</i>	<i>Part Number</i>	<i>Qty.</i>	<i>Description</i>	<i>Ref.</i>	<i>Part Number</i>	<i>Qty.</i>	<i>Description</i>
1	104-8300	11	Nut-HF, NI	12	120-9465	1	Spring-Torsion
2	121-5781	4	Bushing-Front	13	3274-55	1	Screw-HSBH
3	321-7	4	Screw-HH	14	3296-42	4	Nut-Lock, NI
4	104-8301	2	Nut-HF, NI	15	3230-23	10	Screw-CARR
5	131-0826	1	Axle-Front	16	94-2413	1	Nut-U
6	133-2639	2	Wheel	17	121-2337	1	Spring-Torsion
6:2	133-2603	2	Bearing-Ball	18	136-9078	1	Decal-HOC, Front
6:3	125-1077	1	Spacer	19	125-2486	1	Spacer
7	139-6616	1	Front Bumper ASM	20	121-9187-03	1	Shield
7:2	139-1675	1	Decal-Turfmaster HDX	21	117-0871	1	Decal
7:3	116-7581	1	Decal-Warning	22	3256-22	2	Washer-Flat
8	121-9168-03	2	Brace	23	321-8	2	Screw-HH
9	131-9690	1	Mandrell-Spring	24	104-7201	2	Nut-HF
10	94-5780	1	Screw-HWH	25	323-13	2	Screw-HH
11	125-2483	1	Lock-Height, Adjustment	26	74-1671	2	Spacer-Cover, Wheel

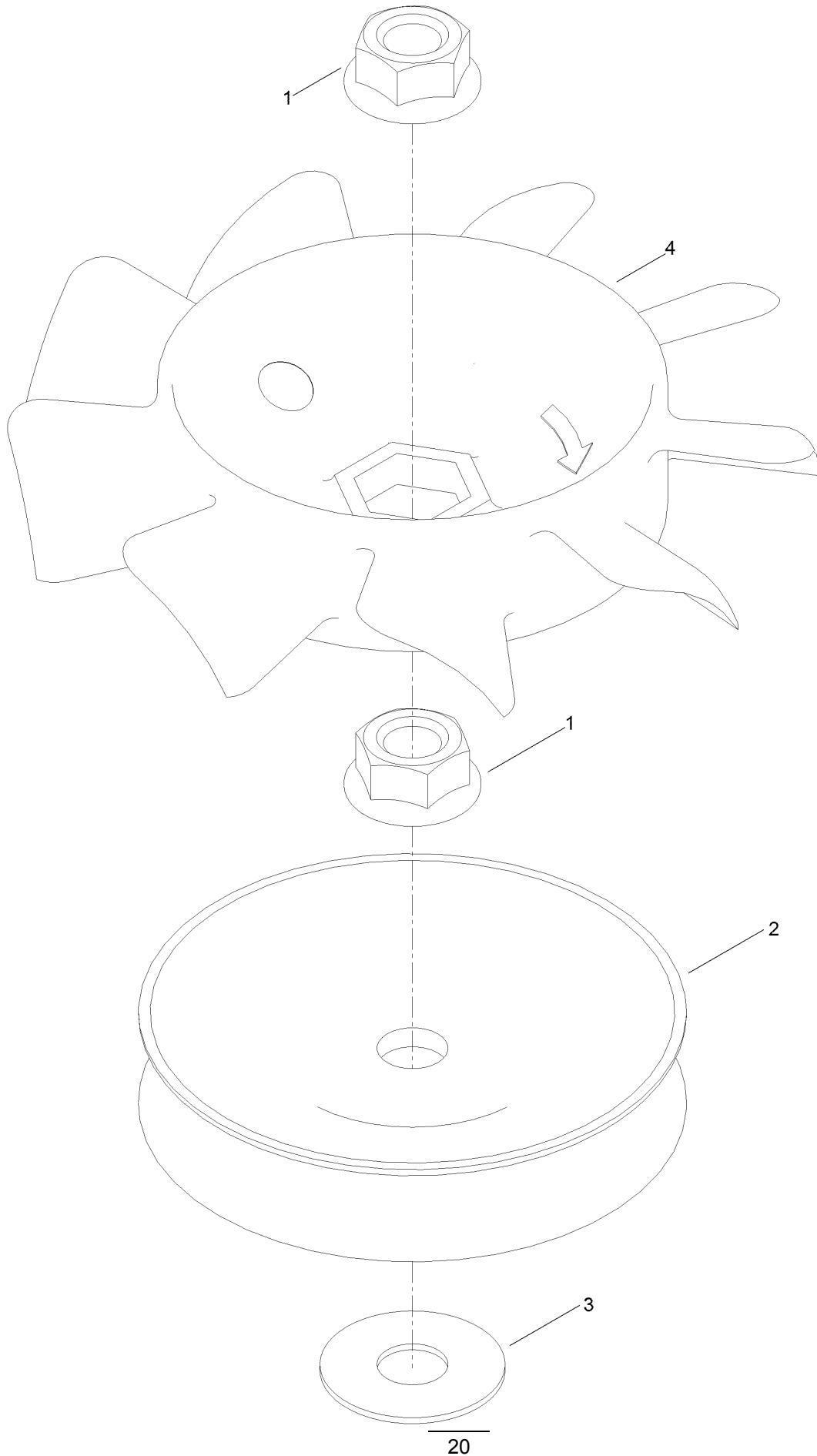
Transmission and HOC Assembly



Transmission and HOC Assembly (continued)

<i>Ref.</i>	<i>Part Number</i>	<i>Qty.</i>	<i>Description</i>	<i>Ref.</i>	<i>Part Number</i>	<i>Qty.</i>	<i>Description</i>
1	137-9172-03	1	HOC Plate Assembly	23	120-7090	1	Lock-Height, Adjust
2	137-9173-03	1	HOC Plate Assembly	24	138-5393	1	Spring-Extension
3	701243	7	Screw-Thd Roll, HWH	25	104-8300	4	Nut-HF, NI
4	137-9183	2	Bearing Retainer ASM	26	3230-2	1	Bolt-CARR
5	137-4779	4	Bearing-Ball, Custom	27	137-9185	2	Cover-Bearing
6	136-9111	2	Gear-Pinion, 15T	28	133-2670	1	Transmission-Mv702
7	32151-61	2	Ring-Retaining	28:1	139-1837	1	Pulley & Fan Repair Kit
8	3230-23	1	Screw-CARR	28:2	139-1842	1	Idler Pulley Repair Kit
9	136-7095	2	Cover-Wheel	28:2:3	139-1845	1	Spring-Tension, Belt
10	133-8104-03	1	Bracket-Transmission, Front	28:3	139-8974	1	Clutch Lever Repair Kit
11	3230-4	2	Bolt-CARR	29	120-7950	2	Screw
12	121-2368	1	Spring-Torsion	30	36-4780	2	Washer-Plain
13	104-8301	2	Nut-HF, NI	31	3296-47	1	Nut-Lock, NI
14	125-2540	1	Washer-Plain	32	138-5394-03	1	Bracket-Mount, Brake
15	137-9174	2	10.5 In. Wheel ASM	33	138-5398	1	Caliper-Brake, Disc
17	121-2397	1	Bracket	34	32144-4	2	Screw-HWH
18	139-6647	1	Rear Axle ASM	35	138-5395	1	Hub-Rotor
19	127-6865	1	Decal-HOC, Rear	36	933156	1	Pin-Roll
20	52-2860	1	Washer	37	138-5396	1	Disc-Rotor
21	119-2267	1	Screw-Shoulder, BHTF	38	139-8960	1	Screw-Torx PH Thd Roll
22	120-9471	1	Bolt-Shoulder	39	609471	1	Screw

Transmission Assembly Pulley and Fan Repair Assembly No. 139-1837



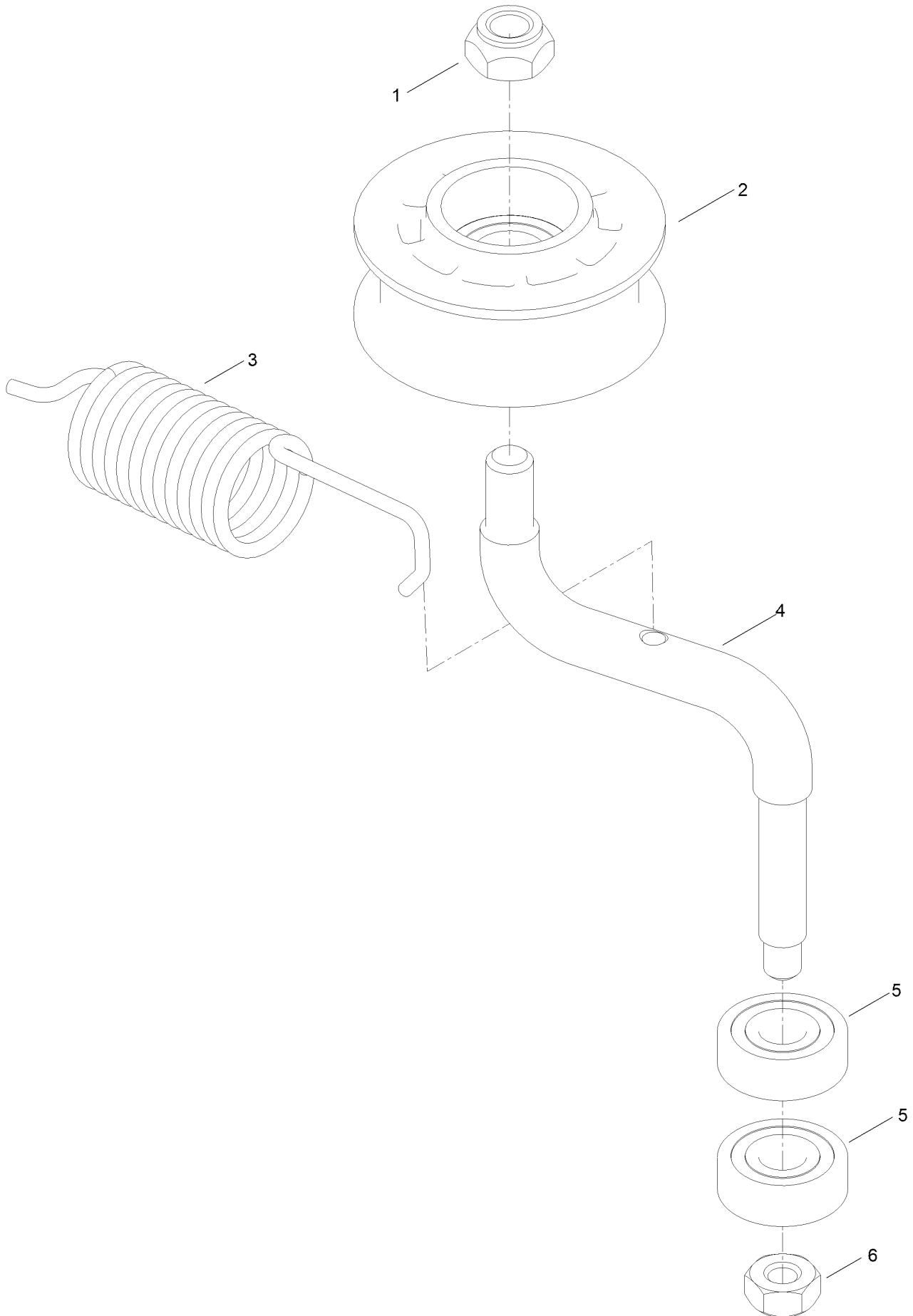
Transmission Assembly

Pulley and Fan Repair Assembly No. 139-1837 (continued)

<i>Ref.</i>	<i>Part Number</i>	<i>Qty.</i>	<i>Description</i>
1	130-2301	2	Nut-Flange
2	139-1839	1	Pulley-Steel

<i>Ref.</i>	<i>Part Number</i>	<i>Qty.</i>	<i>Description</i>
3	139-1840	1	Washer
4	139-1841	1	Fan

Transmission Assembly Idler Pulley and Fan Repair Assembly No. 139-1842

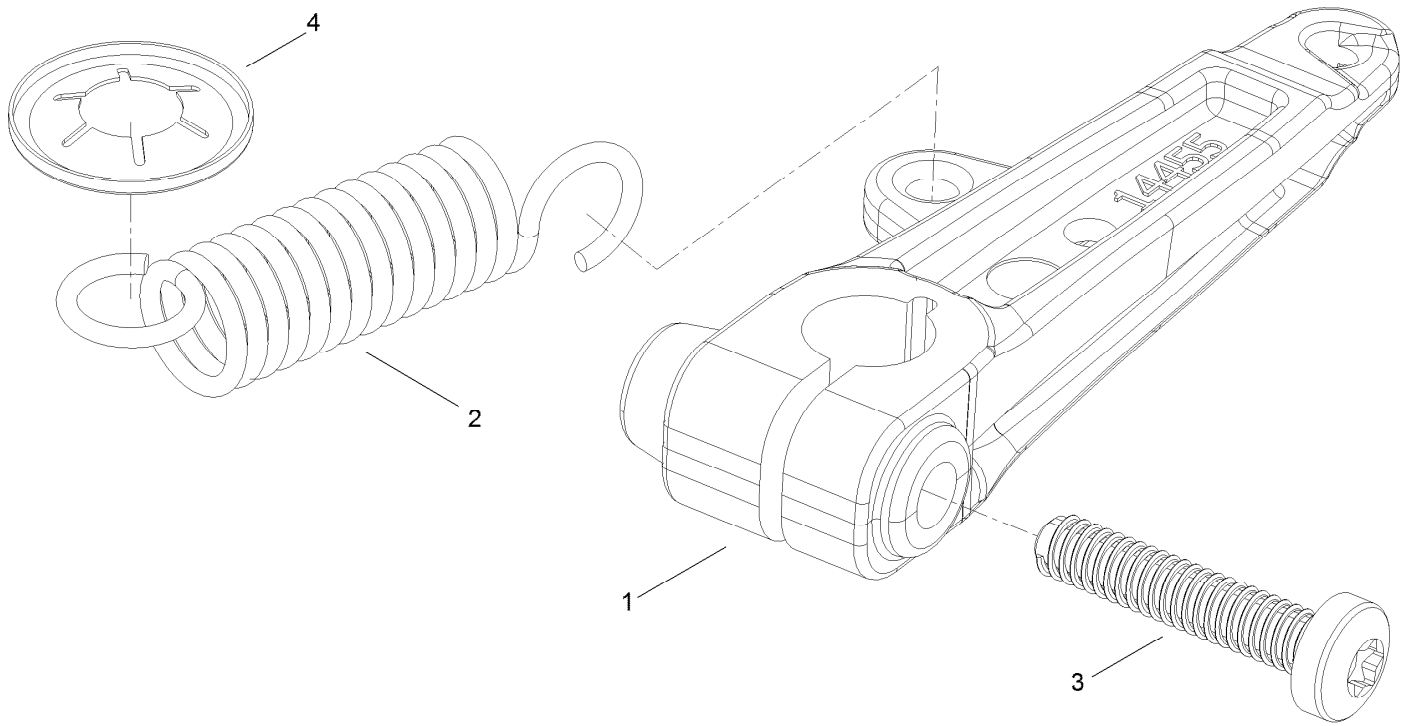


Transmission Assembly

Idler Pulley and Fan Repair Assembly No. 139-1842 (continued)

<i>Ref.</i>	<i>Part Number</i>	<i>Qty.</i>	<i>Description</i>	<i>Ref.</i>	<i>Part Number</i>	<i>Qty.</i>	<i>Description</i>
1	139-1843	1	Nut-M8	4	139-1846	1	Arm-Idler
2	139-1844	1	Pulley-Idler	5	139-1847	2	Bearing
3	139-1845	1	Spring-Tension, Belt	6	139-1848	1	Nut-Hex

Transmission Assembly Clutch Lever Repair Assembly No. 139-8974

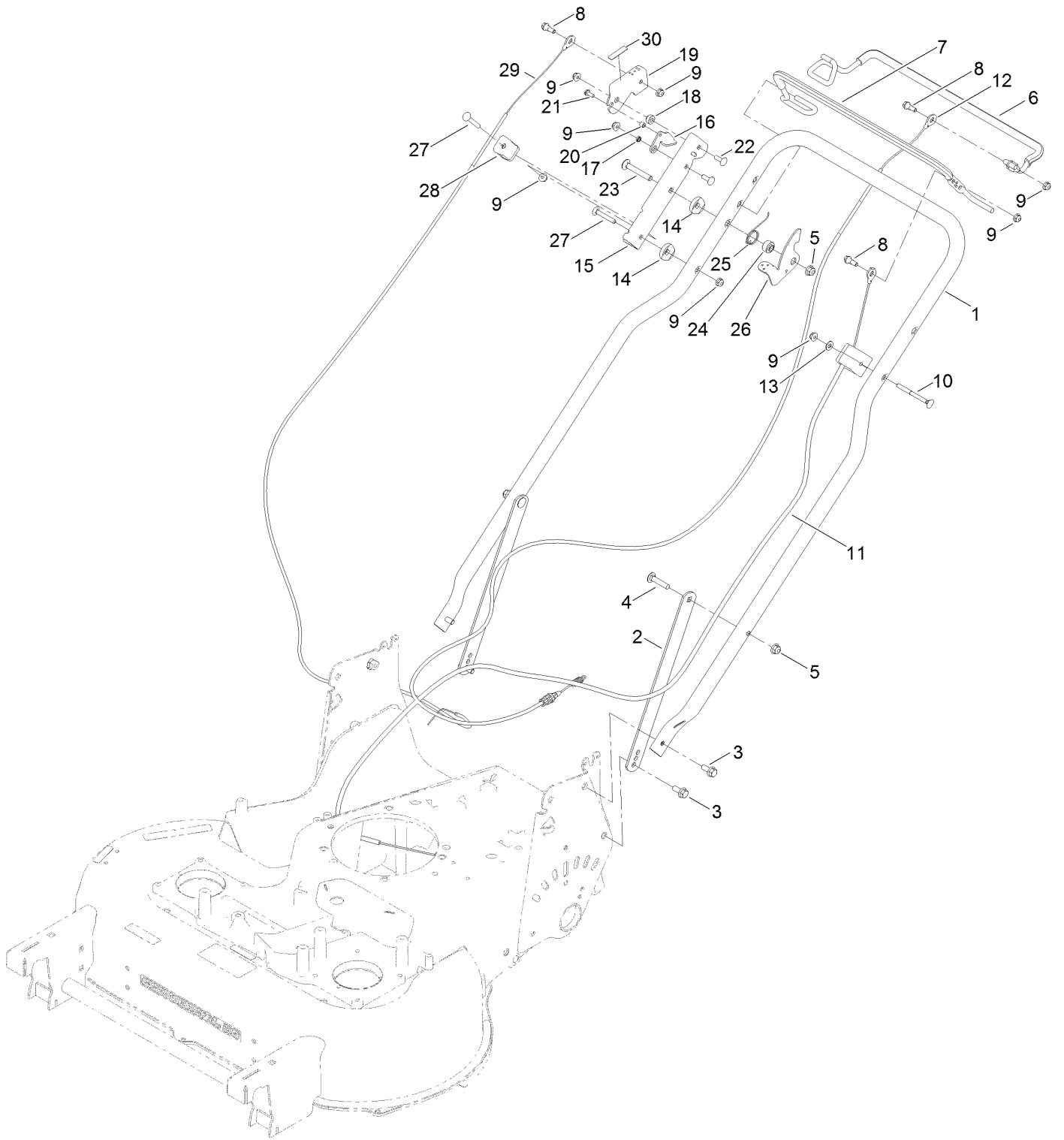


Transmission Assembly

Clutch Lever Repair Assembly No. 139-8974 (continued)

<i>Ref.</i>	<i>Part Number</i>	<i>Qty.</i>	<i>Description</i>	<i>Ref.</i>	<i>Part Number</i>	<i>Qty.</i>	<i>Description</i>
1	139-8975	1	Lever-Clutch	3	139-8977	1	Screw
2	139-8976	1	Spring-Extension	4	139-8978	1	Washer-Lock

Handle Assembly



Handle Assembly (continued)

<i>Ref.</i>	<i>Part Number</i>	<i>Qty.</i>	<i>Description</i>	<i>Ref.</i>	<i>Part Number</i>	<i>Qty.</i>	<i>Description</i>
1	137-4767-03	1	Handle	17	138-5368	1	Spacer
2	116-8208-03	2	Support-Handle	18	139-1817	1	Washer-Stepped
3	116-7230	4	Screw-HHF	19	139-1819	1	Lever-Brake
4	3230-4	2	Bolt-CARR	20	117-9965	1	Spacer
5	104-8300	3	Nut-HF, NI	21	32144-1	1	Screw-Taptite
6	139-1815	1	Bail-Traction, Coated	22	1-807512	2	Bolt-CARR
7	137-4810	1	Bail-BBC, Coated	23	3230-7	1	Bolt-CARR
8	42-3560	3	Bolt-Shoulder	24	116-2690	1	Bushing-Stepped
9	104-7201	8	Nut-HF	25	109-9318	1	Spring-Lever, BBC
10	92-2267	1	Screw-Handle	26	116-2998	1	Lever-BBC
11	137-4759	1	Cable-BBC	27	3229-5	2	Screw-CARR
12	137-4807	1	Cable-Traction	28	106-6801	1	Anchor-Cable
13	3256-1	1	Washer-Flat	29	138-5399	1	Cable-Brake, Parking
14	106-7260	2	Washer-Curved	30	139-5405	1	Decal-Brake, Parking
15	139-1818-03	1	Mount-Lever, Brake	99	614249	4	Tie-Cable ●
16	139-1813	1	Link-Actuation, Brake				

● Not illustrated

Attachments and Accessories

For 22207 76cm TurfMaster Walk-Behind Lawn Mower

Product Name	Model/Part
Atomic Blade 15.4in.....	120-9500-03
Mulching Kit.....	125-5064
Idler Pulley Kit.....	126-7890

Notes:

Notes:

Notes:



Count on it.