



**Count on it.**

**Parts Catalog**

**Power Clear® 721 QZE  
Snowthrower**

Model No. 38756—Serial No. 400000000 and Up



# Ordering Replacement Parts

To order replacement parts, please supply the part number, the quantity, and the description of each part desired.

## Understanding Reference Numbers

Each identified part in an illustration has a reference number. The reference number for a part also appears in the parts list, along with other information about the part.

This catalog uses two special reference number formats, one to indicate parts in a service assembly and another to indicate the quantity of a given part in an illustration.

## Service Assembly Reference Numbers

Parts in service assemblies have reference numbers in the form a:b. The a represents the reference number of the entire service assembly and the b represents a sequential number unique to each part within the service assembly.

For example, a wheel assembly might be identified by reference number 6, the tire by 6:1, the valve by 6:2, and the wheel by 6:3. When you order the assembly identified by reference number 6, you receive all parts identified by reference numbers 6:1, 6:2, and 6:3. However, you may also order any part individually. Reference numbers of this type appear in illustration and in parts lists.

## Reference Numbers Indicating Quantity

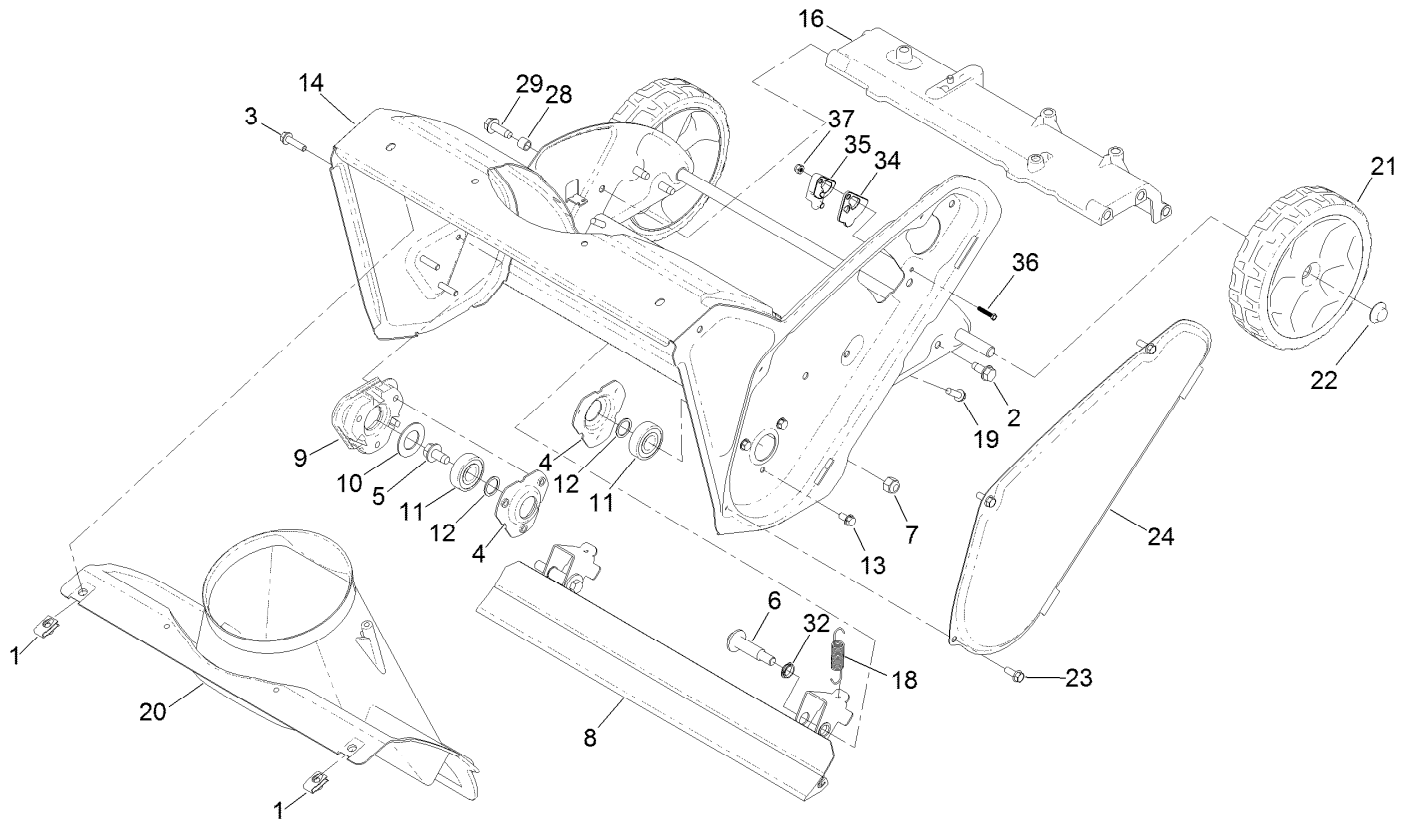
In an illustration, if a reference number indicates more than one part, the reference number has the form nX y. The n represents the quantity of the part, the X is the multiplication symbol, and the y represents the reference number.

For example, in an illustration, the reference number 2X 37 means that two of the parts identified by reference number 37 are indicated.

# Contents

|                                           |    |
|-------------------------------------------|----|
| Chute and Wheel Assembly .....            | 4  |
| Rotor Drive Assembly .....                | 6  |
| Rotor Assembly .....                      | 8  |
| Engine Assembly .....                     | 10 |
| Fuel System and Carburetor Assembly ..... | 12 |
| Intake and Exhaust Assembly .....         | 14 |
| Ignition and Electrical Assembly .....    | 16 |
| Crankcase Assembly .....                  | 18 |
| Governor Assembly .....                   | 20 |
| Piston and Head Assembly .....            | 22 |
| Blower Housing and Shrouds Assembly ..... | 24 |
| Shroud and Chute Assembly .....           | 26 |
| Handle Assembly .....                     | 28 |
| Handle Chute Control Assembly .....       | 30 |
| Attachments and Accessories .....         | 32 |

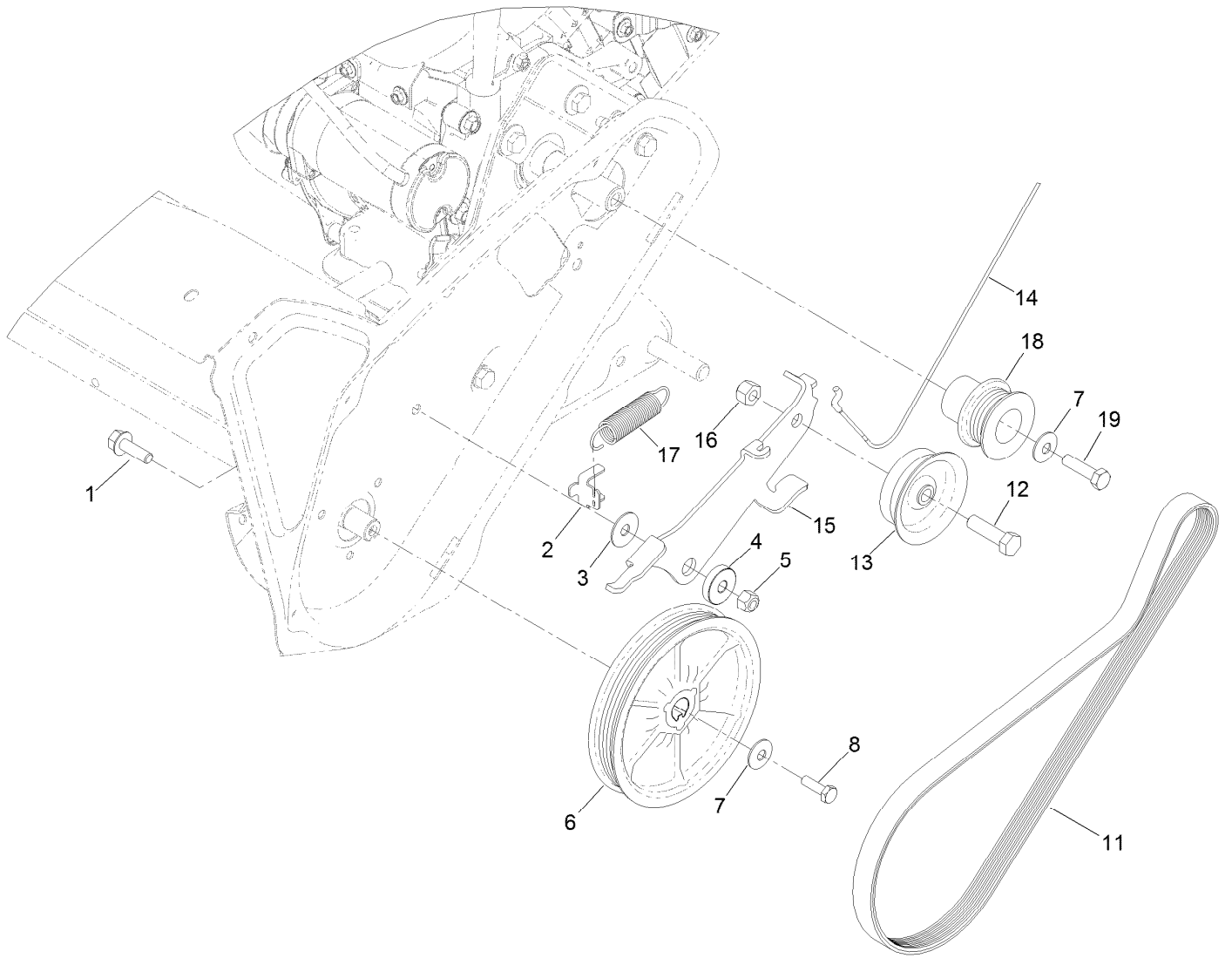
# Chute and Wheel Assembly



## Chute and Wheel Assembly (continued)

| <i>Ref.</i> | <i>Part Number</i> | <i>Qty.</i> | <i>Description</i> | <i>Ref.</i> | <i>Part Number</i> | <i>Qty.</i> | <i>Description</i>                     |
|-------------|--------------------|-------------|--------------------|-------------|--------------------|-------------|----------------------------------------|
| 1           | 107069             | 2           | Clip               | 18          | 108-4906           | 2           | Spring-Extension                       |
| 2           | 32144-11           | 4           | Screw-HWH          | 19          | 46-8091            | 3           | Screw-HWH                              |
| 3           | 32144-86           | 3           | Screw-HWHTF        | 20          | 108-4871           | 1           | Chute-Lower                            |
| 4           | 136-7134           | 2           | Flange-Bearing     | 21          | 138-8783           | 2           | Wheel ASM, 7 Inch                      |
| 5           | 110-9380           | 1           | Screw-HWH          | 22          | 32112-14           | 2           | Nut-Push                               |
| 6           | 136-7198           | 2           | Bolt-Shoulder      | 23          | 32144-85           | 3           | Screw-HWH                              |
| 7           | 3296-39            | 2           | Nut-Lock, NI       | 24          | 108-4893-03        | 1           | Cover-Belt                             |
| 8           | 139-3536           | 1           | Scraper ASM        | 28          | 136-7148           | 2           | Spacer-Grommet                         |
| 9           | 114-3781           | 1           | Spacer-Bearing, RH | 29          | 130-9795           | 2           | Screw-HWHTF                            |
| 10          | 110-9353           | 1           | Washer-Rubber      | 32          | 139-3509           | 4           | Bushing-Nyliner                        |
| 11          | 38-7820            | 2           | Bearing-Ball       | 34          | 139-3564           | 1           | Cap-Guide, Cable                       |
| 12          | 52-7280            | 2           | Washer-Thrust      | 35          | 139-3565           | 1           | Guide-Cable                            |
| 13          | 32144-4            | 3           | Screw-HWH          | 36          | 360-0272           | 1           | Screw, Machine, Nozzle,<br>8-32 X 7/8" |
| 14          | 108-4868-03        | 1           | Housing-Auger      |             |                    |             |                                        |
| 16          | 130-9765           | 1           | Brace-Frame        | 37          | 520-0006           | 1           | Nut-Hex, Nylock                        |

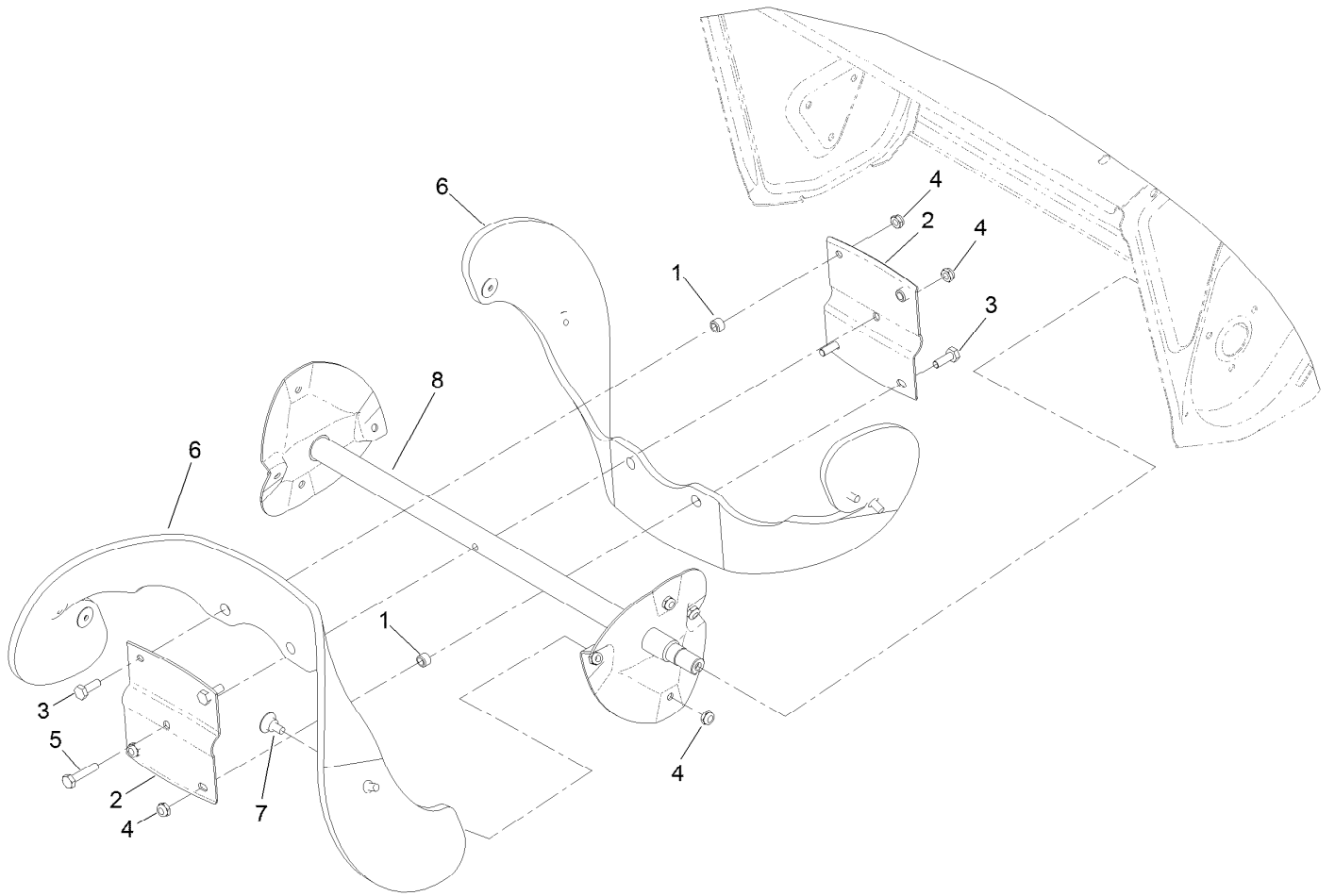
# Rotor Drive Assembly



## Rotor Drive Assembly (continued)

| <i>Ref.</i> | <i>Part Number</i> | <i>Qty.</i> | <i>Description</i> | <i>Ref.</i> | <i>Part Number</i> | <i>Qty.</i> | <i>Description</i> |
|-------------|--------------------|-------------|--------------------|-------------|--------------------|-------------|--------------------|
| 1           | 3234-29            | 1           | Screw-HHF          | 12          | 323-29             | 1           | Screw-HH           |
| 2           | 136-7133           | 1           | Clip-Spring        | 13          | 139-3513           | 1           | Pulley-Idler, Flat |
| 3           | 108-4925           | 1           | Washer             | 14          | 140-1000           | 1           | Cable-Clutch       |
| 4           | 108-4916           | 1           | Bushing-Pivot      | 15          | 136-7138           | 1           | Arm-Idler          |
| 5           | 3296-29            | 1           | Nut-Lock, NI       | 16          | 32152-2            | 1           | Nut-Lock, Cone     |
| 6           | 138-8720           | 1           | Pulley-Rotor       | 17          | 121-6630           | 1           | Spring-Extension   |
| 7           | 3290-456           | 2           | Washer-Belleville  | 18          | 138-8722           | 1           | Pulley-Engine      |
| 8           | 140-1002           | 1           | Screw-HH           | 19          | 121-6646           | 1           | Screw-HH           |
| 11          | 138-8723           | 1           | Belt-Poly          |             |                    |             |                    |

# Rotor Assembly

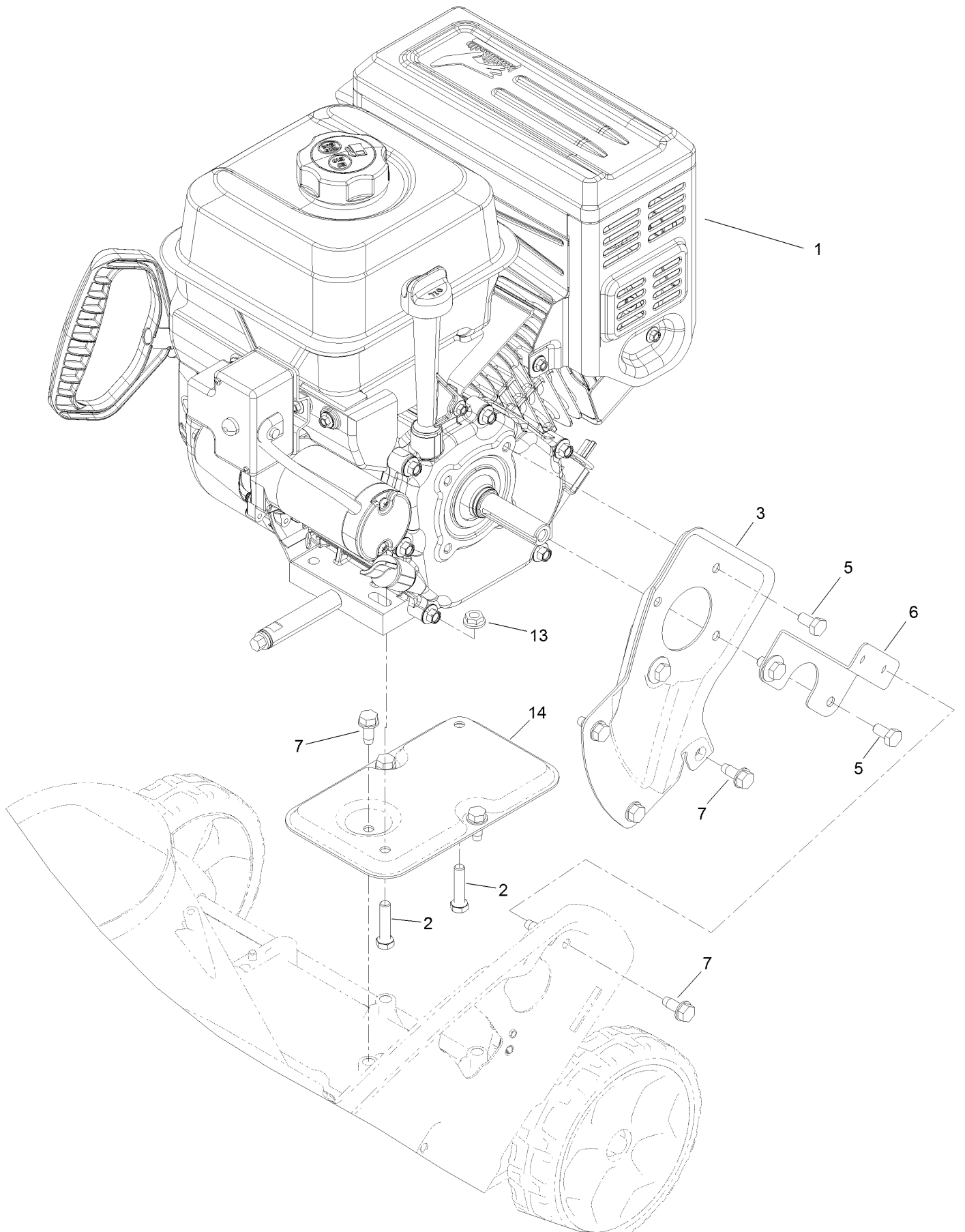




## Rotor Assembly (continued)

| <i>Ref.</i> | <i>Part Number</i> | <i>Qty.</i> | <i>Description</i>  | <i>Ref.</i> | <i>Part Number</i> | <i>Qty.</i> | <i>Description</i> |
|-------------|--------------------|-------------|---------------------|-------------|--------------------|-------------|--------------------|
| 1           | 55-9370            | 4           | Spacer-Blade, Rotor | 5           | 321-8              | 1           | Screw-HH           |
| 2           | 66-6600-03         | 2           | Half-Rotor          | 6           | 99-9313            | 2           | Blade-Rotor        |
| 3           | 321-4              | 4           | Screw-HH            | 7           | 84-1971            | 8           | Screw              |
| 4           | 3296-56            | 13          | Nut-Lock, NI        | 8           | 131-6488-03        | 1           | Rotor              |

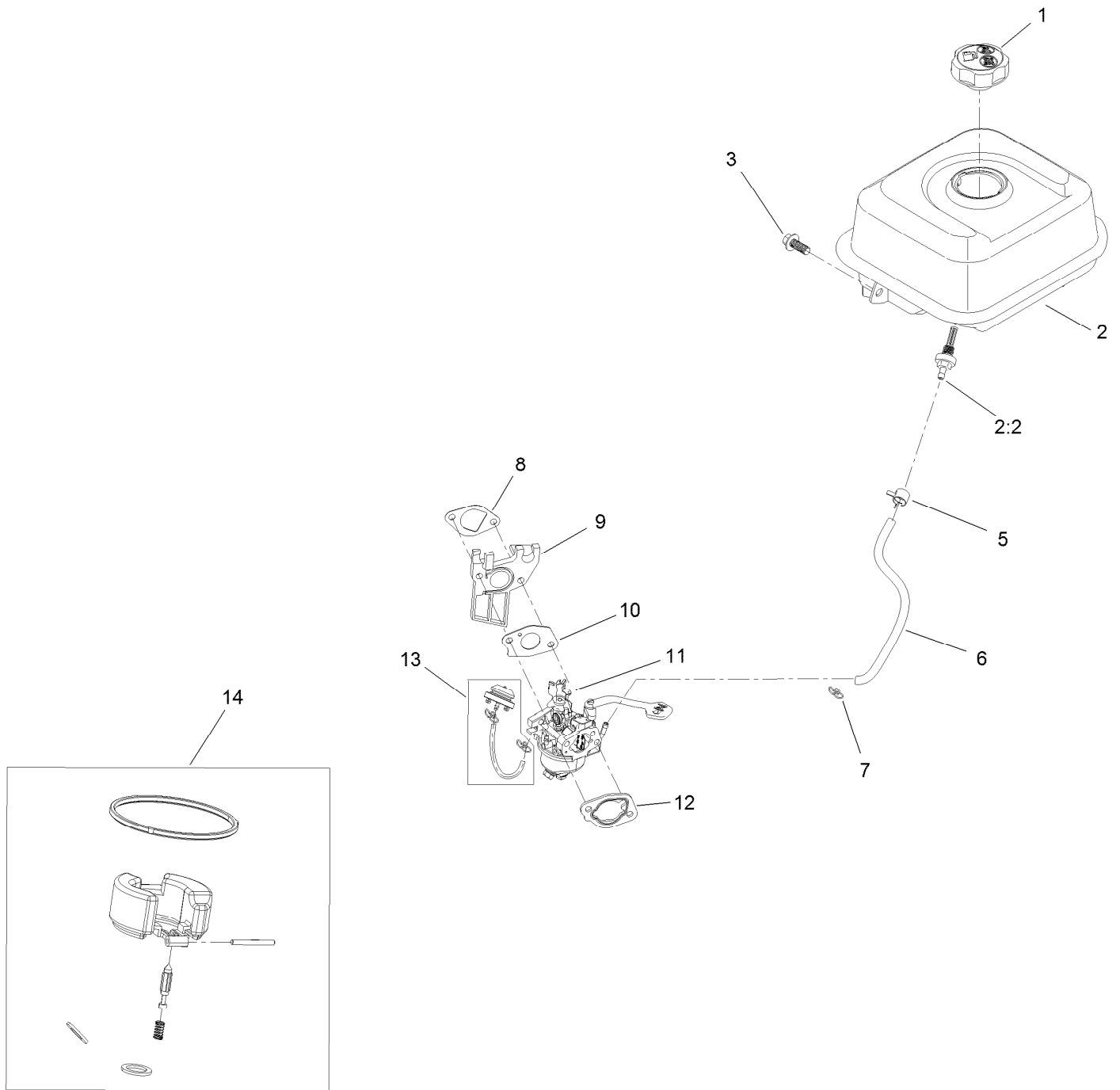
# Engine Assembly



## Engine Assembly (continued)

| <i>Ref.</i> | <i>Part Number</i> | <i>Qty.</i> | <i>Description</i> | <i>Ref.</i> | <i>Part Number</i> | <i>Qty.</i> | <i>Description</i>   |
|-------------|--------------------|-------------|--------------------|-------------|--------------------|-------------|----------------------|
| 1           | 138-8767           | 1           | Engine - G210Fds-4 | 6           | 110-9354-03        | 1           | Support-Engine, Side |
| 2           | 322-17             | 2           | Screw-HH           | 7           | 32144-11           | 7           | Screw-HWH            |
| 3           | 108-4892-03        | 1           | Plate-Engine, PTO  | 13          | 32128-20           | 2           | Nut-HF               |
| 5           | 99-5132            | 4           | Bolt               | 14          | 117-6037-03        | 1           | Support-Engine       |

# Fuel System and Carburetor Assembly

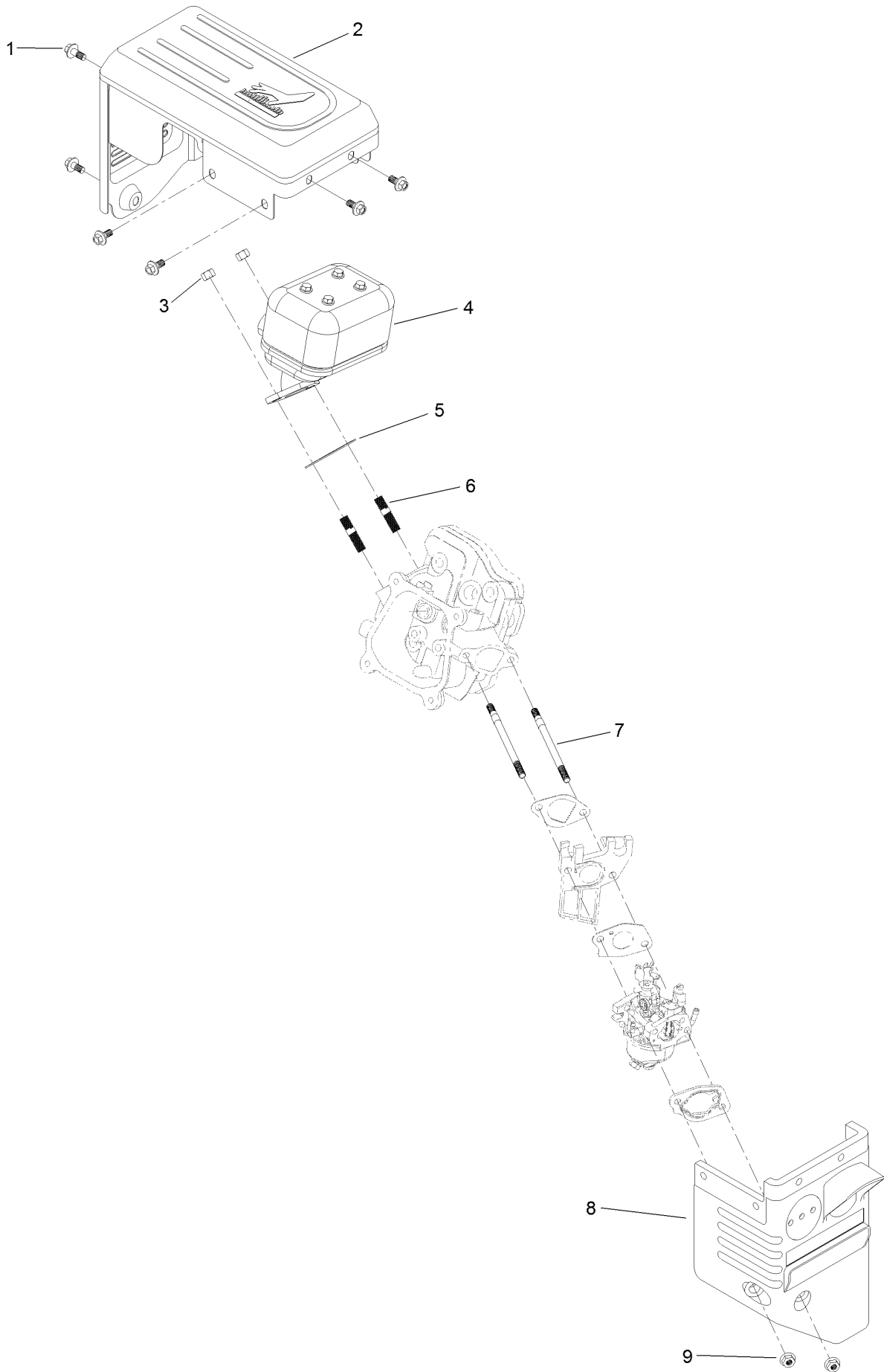


## Fuel System and Carburetor Assembly (continued)

| <i>Ref.</i> | <i>Part Number</i> | <i>Qty.</i> | <i>Description</i>       | <i>Ref.</i> | <i>Part Number</i> | <i>Qty.</i> | <i>Description</i>         |
|-------------|--------------------|-------------|--------------------------|-------------|--------------------|-------------|----------------------------|
| 1           | 133-9823           | 1           | Cap-Fuel                 | 9           | 121-0077           | 1           | Insulator-Carburetor       |
| 2           | 127-9497           | 1           | Fuel Tank And Filter ASM | 10          | 121-0078           | 1           | Gasket-Carburetor          |
| 2:2         | 127-9065           | 1           | Filter-Fuel              | 11          | 127-9111           | 1           | Carburetor ASM             |
| 3           | 121-0294           | 1           | Screw-HHF                | 12          | 121-0080           | 1           | Gasket-Carburetor          |
| 5           | 127-9120           | 1           | Clamp-Hose               | 13          | 127-9079           | 1           | Primer Kit                 |
| 6           | 127-9403           | 1           | Hose-Fuel                | 14          | 127-9394           | 1           | Internal Carb Service Kit  |
| 7           | 121-0087           | 1           | Clamp-Hose               | 99          | 127-9301           | 1           | High Altitude Kit - G210 ● |
| 8           | 121-0076           | 1           | Gasket-Carburetor        |             |                    |             |                            |

● Not illustrated

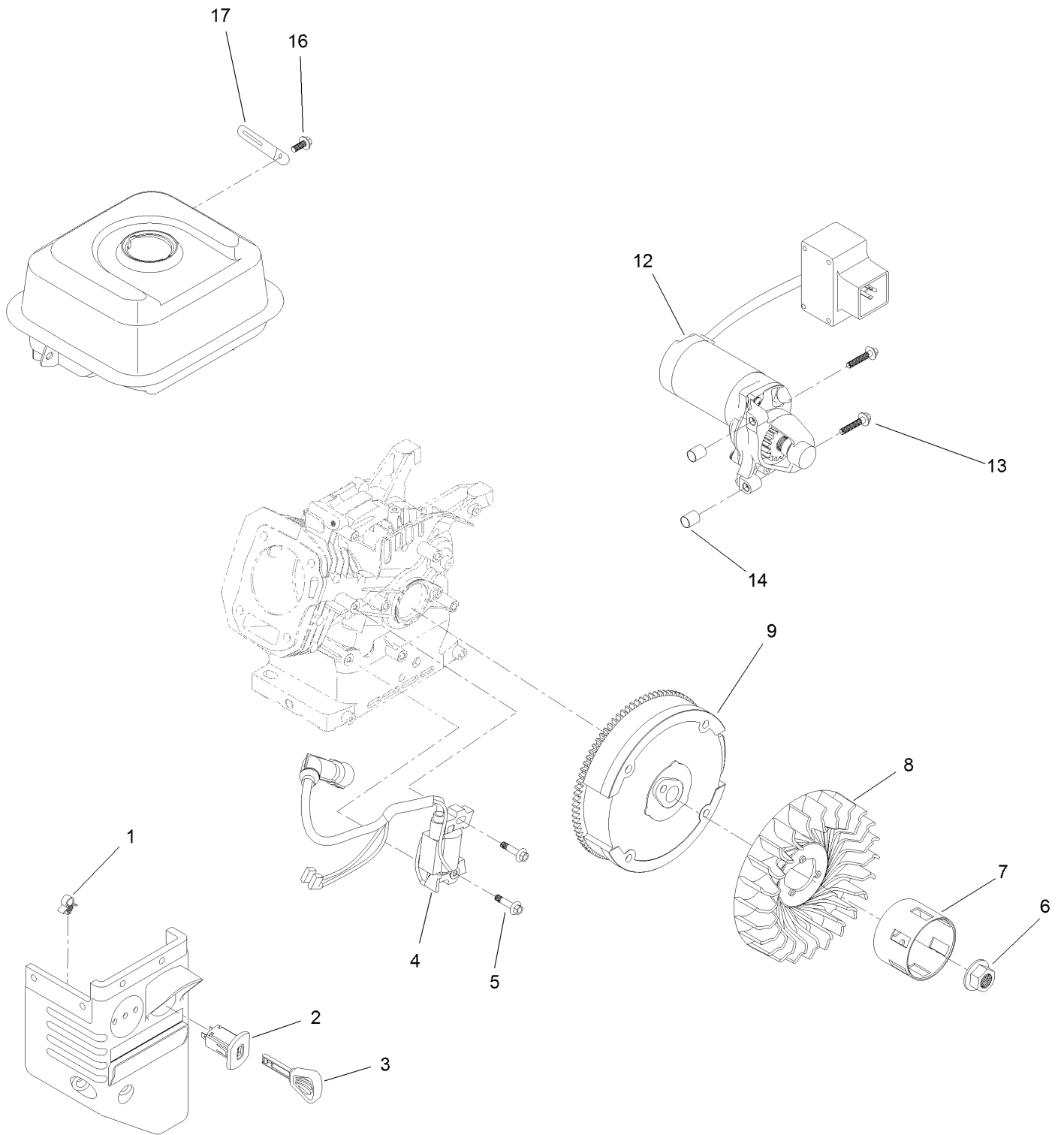
# Intake and Exhaust Assembly



## Intake and Exhaust Assembly (continued)

| <i>Ref.</i> | <i>Part Number</i> | <i>Qty.</i> | <i>Description</i> | <i>Ref.</i> | <i>Part Number</i> | <i>Qty.</i> | <i>Description</i> |
|-------------|--------------------|-------------|--------------------|-------------|--------------------|-------------|--------------------|
| 1           | 121-0294           | 6           | Screw-HHF          | 6           | 121-0464           | 2           | Stud-Exhaust       |
| 2           | 136-7778           | 1           | Guard-Muffler      | 7           | 121-4112           | 2           | Stud-Intake        |
| 3           | 121-0199           | 2           | Nut-HH             | 8           | 127-9112           | 1           | Box-Heater         |
| 4           | 133-9846           | 1           | Muffler ASM        | 9           | 121-0308           | 2           | Nut-Flange         |
| 5           | 121-0167           | 1           | Gasket-Exhaust     |             |                    |             |                    |

# Ignition and Electrical Assembly

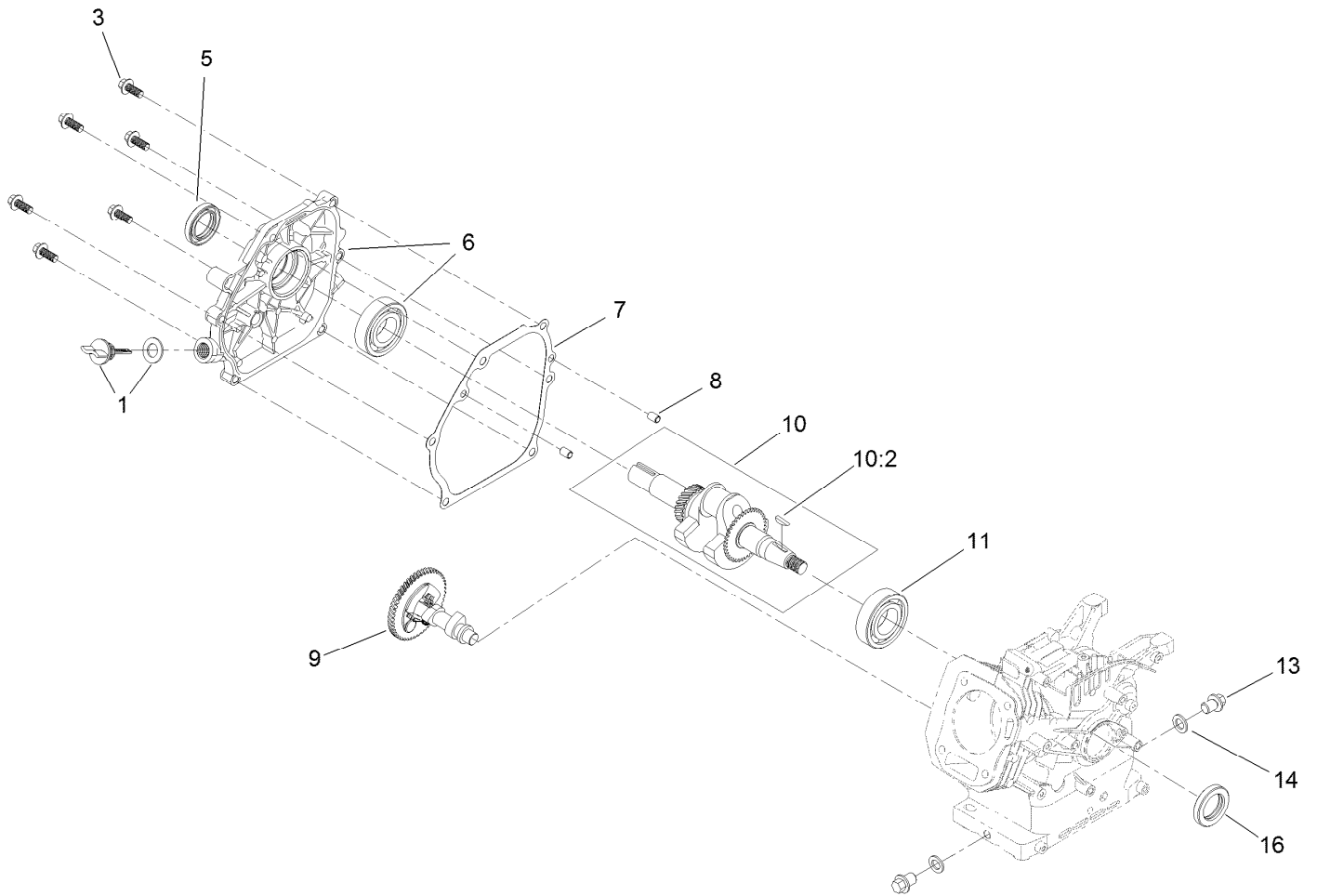




## Ignition and Electrical Assembly (continued)

| <i>Ref.</i> | <i>Part Number</i> | <i>Qty.</i> | <i>Description</i> | <i>Ref.</i> | <i>Part Number</i> | <i>Qty.</i> | <i>Description</i> |
|-------------|--------------------|-------------|--------------------|-------------|--------------------|-------------|--------------------|
| 1           | 121-0326           | 1           | Clip               | 8           | 127-9002           | 1           | Fan                |
| 2           | 121-0283           | 1           | Switch-Key         | 9           | 127-9005           | 1           | Flywheel           |
| 3           | 117-7728           | 1           | Key                | 12          | 139-0692           | 1           | Motor-Starter      |
| 4           | 136-7769           | 1           | Ignition Coil ASM  | 13          | 133-1546           | 2           | Screw-Flange       |
| 5           | 121-0097           | 2           | Screw-HHF          | 14          | 121-0055           | 2           | Pin-Dowel          |
| 6           | 121-0047           | 1           | Nut-Flange         | 16          | 127-9123           | 1           | Screw-HHF          |
| 7           | 127-9106           | 1           | Cup-Starter        | 17          | 121-0017           | 1           | Clip-Harness, Wire |

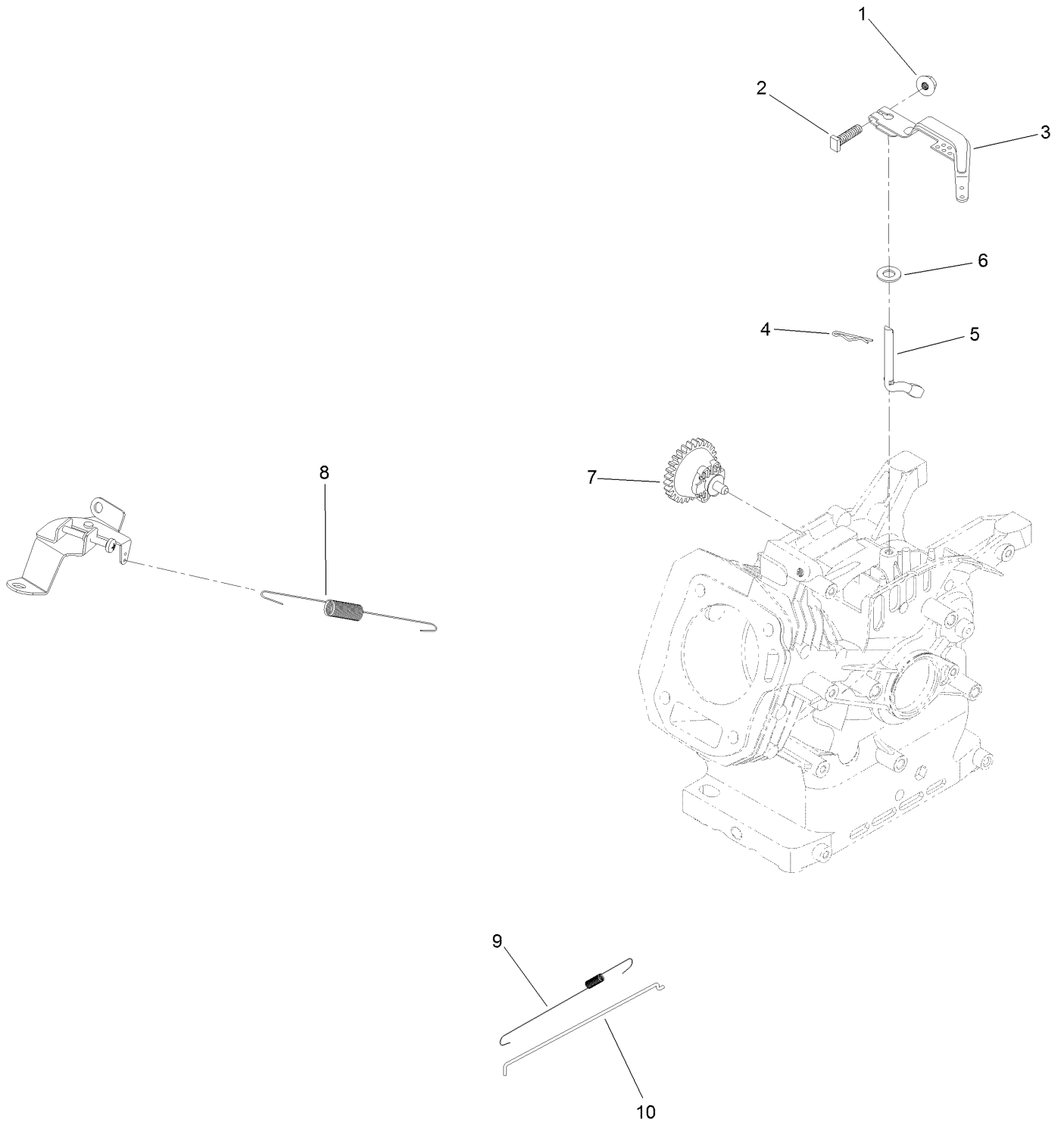
# Crankcase Assembly



## Crankcase Assembly (continued)

| <i>Ref.</i> | <i>Part Number</i> | <i>Qty.</i> | <i>Description</i>      | <i>Ref.</i> | <i>Part Number</i> | <i>Qty.</i> | <i>Description</i> |
|-------------|--------------------|-------------|-------------------------|-------------|--------------------|-------------|--------------------|
| 1           | 127-9374           | 1           | Dipstick And O-Ring Kit | 10          | 121-4292           | 1           | Crankshaft ASM     |
| 3           | 121-4114           | 6           | Screw-HHF               | 10:2        | 120-4320           | 1           | Key-Woodruff       |
| 5           | 121-0209           | 1           | Seal-Oil                | 11          | 121-0056           | 1           | Bearing-Ball       |
| 6           | 139-0693           | 1           | Crankcase Cover ASM     | 13          | 121-0030           | 2           | Screw-HHF          |
| 7           | 121-0105           | 1           | Gasket-Cover, Crankcase | 14          | 121-0048           | 2           | Washer-Plain       |
| 8           | 121-0054           | 2           | Pin-Dowel               | 16          | 133-9864           | 1           | Seal-Oil           |
| 9           | 133-9836           | 1           | Camshaft                |             |                    |             |                    |

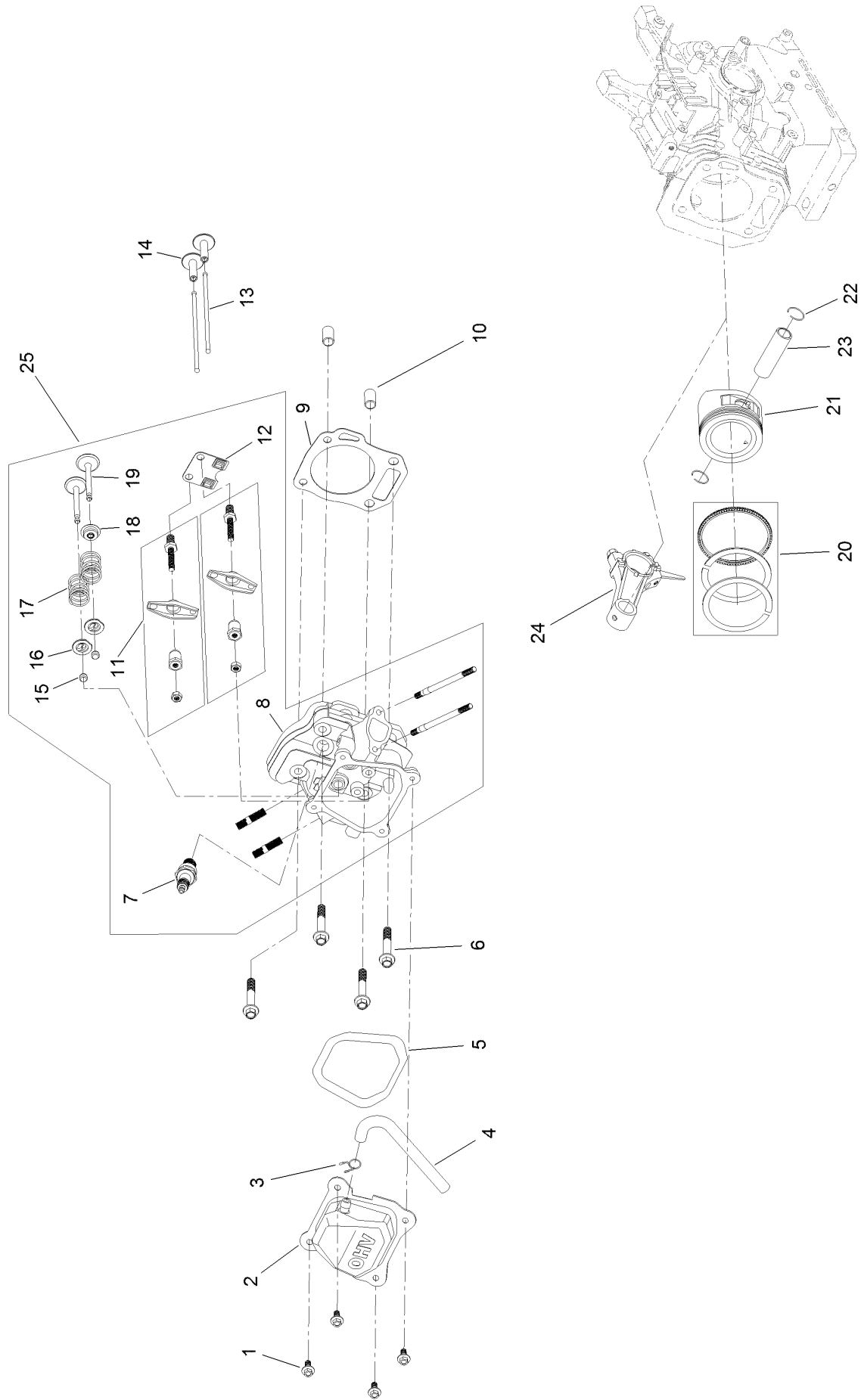
# Governor Assembly



## Governor Assembly (continued)

| <i>Ref.</i> | <i>Part Number</i> | <i>Qty.</i> | <i>Description</i> | <i>Ref.</i> | <i>Part Number</i> | <i>Qty.</i> | <i>Description</i>      |
|-------------|--------------------|-------------|--------------------|-------------|--------------------|-------------|-------------------------|
| 1           | 120-4236           | 1           | Nut-Flange         | 6           | 121-0498           | 1           | Washer-Plain            |
| 2           | 120-4238           | 1           | Bolt-Arm, Governor | 7           | 136-7762           | 1           | Governor Gear ASM       |
| 3           | 121-0155           | 1           | Arm-Governor       | 8           | 139-0690           | 1           | Spring-Governor         |
| 4           | 120-4256           | 1           | Pin-Hair           | 9           | 121-0153           | 1           | Spring-Return, Throttle |
| 5           | 136-7763           | 1           | Shaft-Governor     | 10          | 121-0148           | 1           | Rod-Governor            |

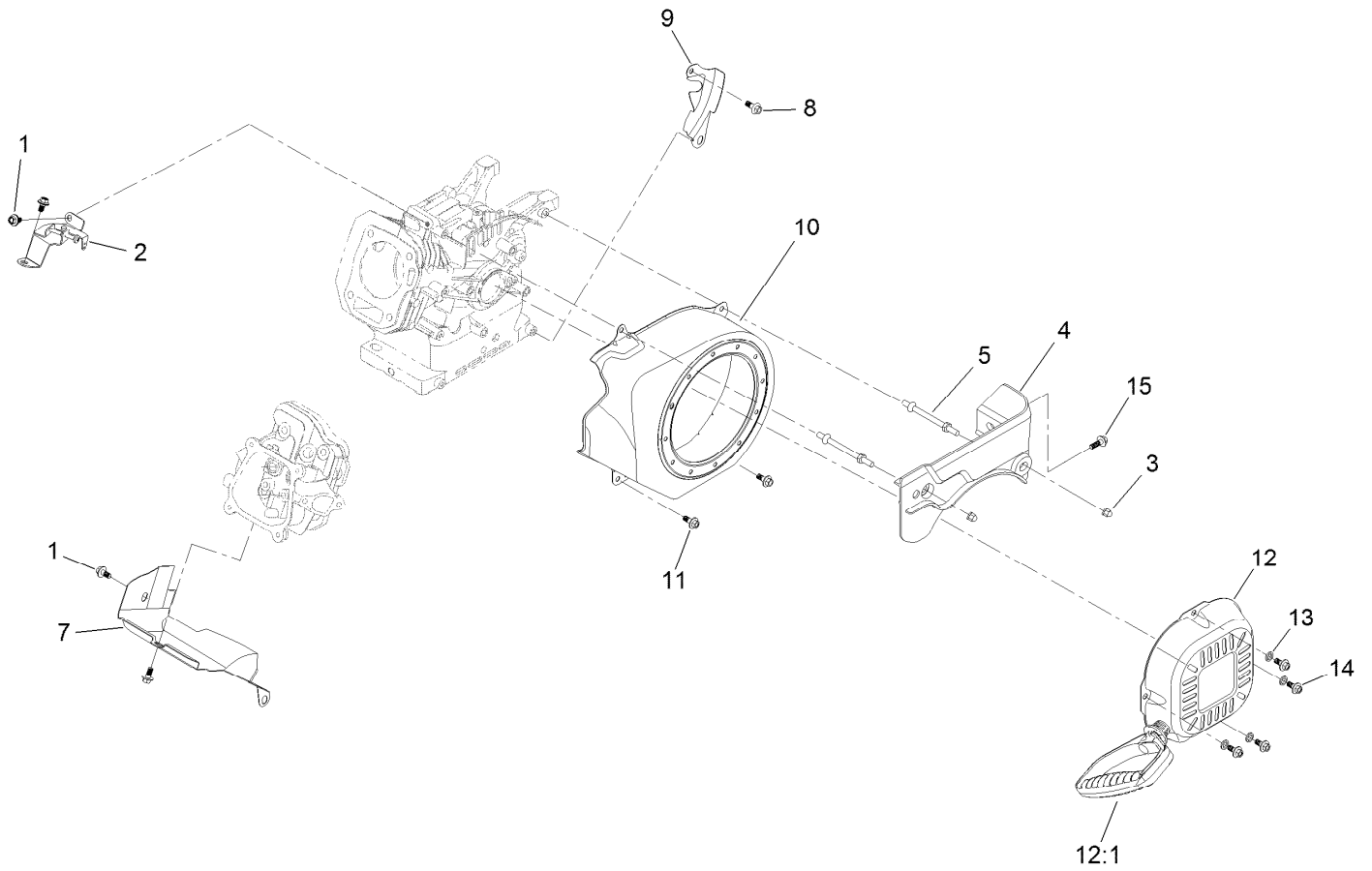
# Piston and Head Assembly



## Piston and Head Assembly (continued)

| <i>Ref.</i> | <i>Part Number</i> | <i>Qty.</i> | <i>Description</i>    | <i>Ref.</i> | <i>Part Number</i> | <i>Qty.</i> | <i>Description</i>     |
|-------------|--------------------|-------------|-----------------------|-------------|--------------------|-------------|------------------------|
| 1           | 120-4454           | 4           | Screw-HHF             | 14          | 127-9015           | 2           | Tappet-Valve           |
| 2           | 127-9094           | 1           | Cover-Valve           | 15          | 121-4116           | 2           | Rotator-Valve          |
| 3           | 127-9408           | 1           | Clamp-Hose            | 16          | 121-4117           | 2           | Retainer-Spring, Valve |
| 4           | 139-0631           | 1           | Tube-Breather         | 17          | 127-9014           | 2           | Spring-Valve           |
| 5           | 121-0109           | 1           | Gasket-Cover, Valve   | 18          | 121-4202           | 1           | Seal-Stem, Valve       |
| 6           | 121-4110           | 4           | Screw-HHF             | 19          | 127-9016           | 1           | Valve Set              |
| 7           | 81-3250            | 1           | Spark Plug            | 20          | 121-4295           | 1           | Ring Set, Piston       |
| 8           | 127-9013           | 1           | Head-Cylinder         | 21          | 121-4293           | 1           | Piston                 |
| 9           | 127-9000           | 1           | Gasket-Head, Cylinder | 22          | 121-0313           | 2           | Clip-Pin, Piston       |
| 10          | 121-0053           | 2           | Pin-Dowel             | 23          | 121-4128           | 1           | Pin-Piston             |
| 11          | 120-4475           | 2           | Rocker Arm ASM        | 24          | 127-9017           | 1           | Connecting Rod ASM     |
| 12          | 121-4120           | 1           | Plate-Guide, Push Rod | 25          | 133-9839           | 1           | Complete Head ASM      |
| 13          | 121-4121           | 2           | Rod-Push              |             |                    |             |                        |

# Blower Housing and Shrouds Assembly

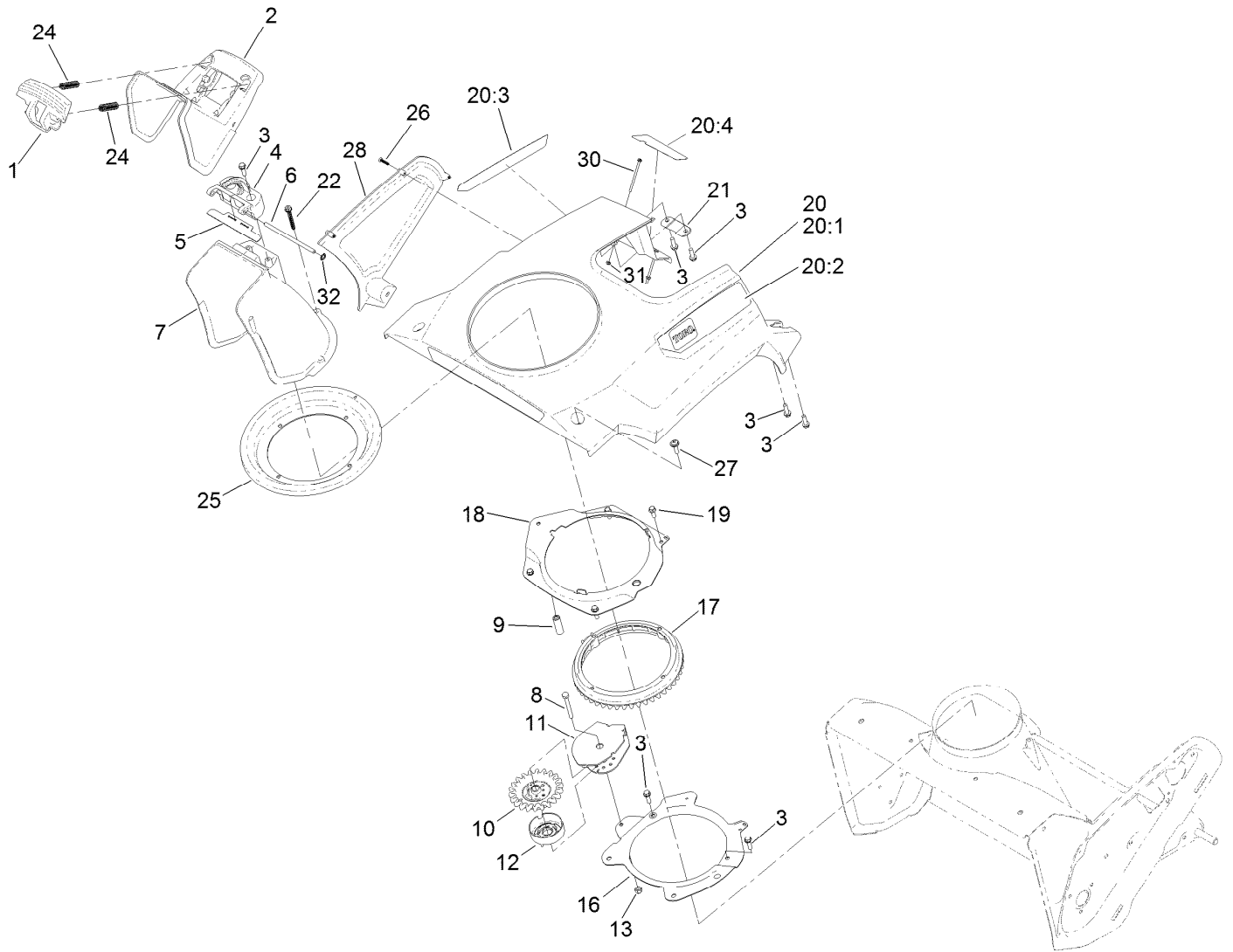




## Blower Housing and Shrouds Assembly (continued)

| <i>Ref.</i> | <i>Part Number</i> | <i>Qty.</i> | <i>Description</i> | <i>Ref.</i> | <i>Part Number</i> | <i>Qty.</i> | <i>Description</i> |
|-------------|--------------------|-------------|--------------------|-------------|--------------------|-------------|--------------------|
| 1           | 121-0116           | 4           | Screw-HHF          | 10          | 127-9401           | 1           | Shroud-Blower      |
| 2           | 127-9396           | 1           | Speed Control ASM  | 11          | 121-0294           | 2           | Screw-HHF          |
| 3           | 127-9383           | 2           | Nut-Acorn          | 12          | 127-9402           | 1           | Recoil Starter ASM |
| 4           | 127-9406           | 1           | Panel-Front        | 12:1        | 121-0287           | 1           | Handle-Recoil      |
| 5           | 127-9110           | 2           | Stud-Mount         | 13          | 127-9380           | 4           | Washer-Plain       |
| 7           | 127-9096           | 1           | Shroud-Lower       | 14          | 127-9031           | 4           | Screw-HHF          |
| 8           | 120-4454           | 1           | Screw-HHF          | 15          | 127-9123           | 1           | Screw-HHF          |
| 9           | 127-9121           | 1           | Shield-Flywheel    |             |                    |             |                    |

# Shroud and Chute Assembly

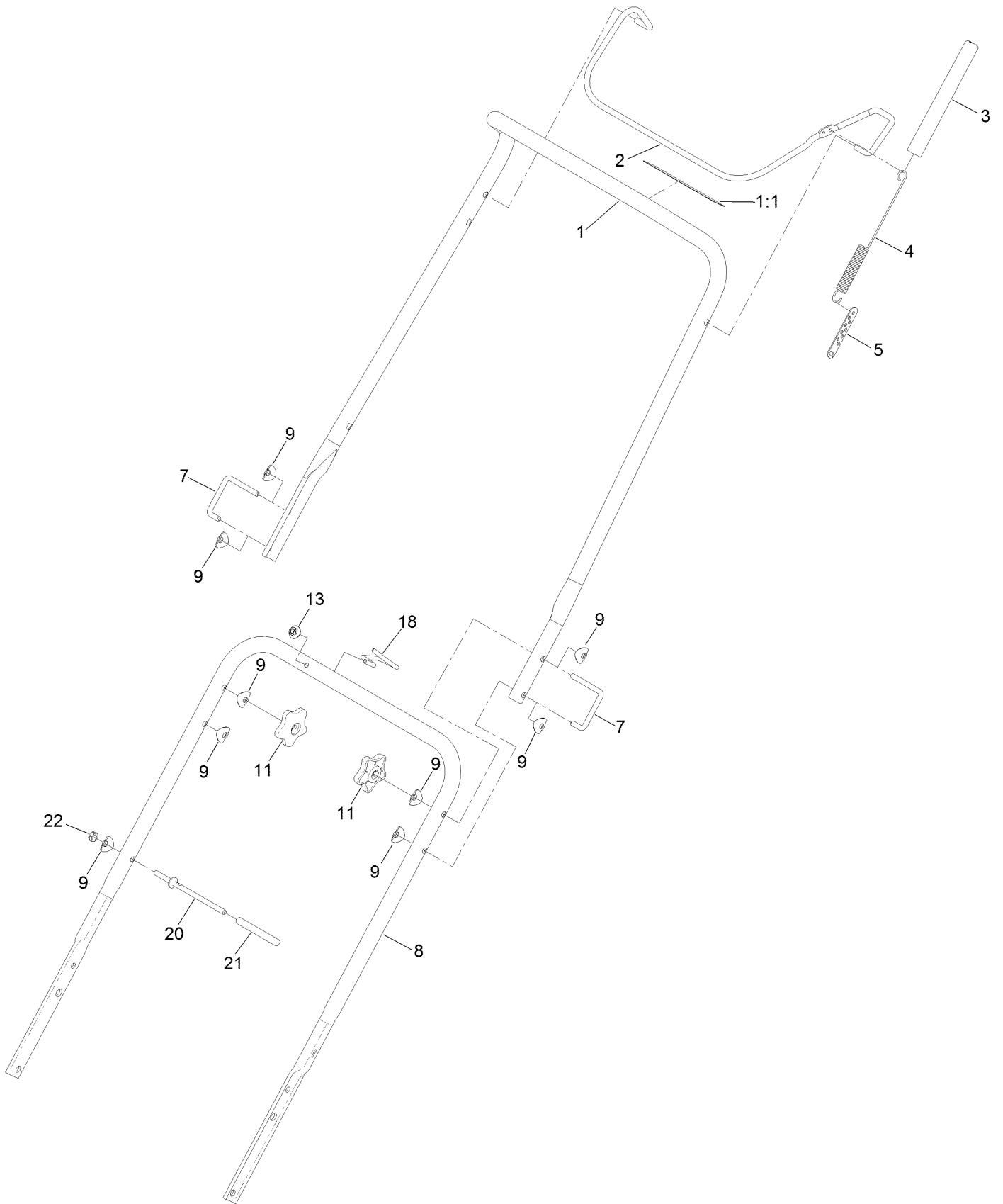


## Shroud and Chute Assembly (continued)

| <i>Ref.</i> | <i>Part Number</i> | <i>Qty.</i> | <i>Description</i>       | <i>Ref.</i> | <i>Part Number</i> | <i>Qty.</i> | <i>Description</i>           |
|-------------|--------------------|-------------|--------------------------|-------------|--------------------|-------------|------------------------------|
| 1           | 108-4941           | 1           | Trigger-Deflector        | 19          | 32144-85           | 3           | Screw-HWH                    |
| 2           | 117-9121           | 1           | Deflector-Chute, CE      | 20          |                    | 1           | Shroud ASM, W/Decals ●       |
| 3           | 46-8091            | 10          | Screw-HWH                | 20:1        | 138-8785           | 1           | Shroud ASM, W/Artwork        |
| 4           | 108-4942           | 1           | Hinge-Ratchet, Deflector | 20:2        | 139-3520           | 1           | Decal- Shroud LH             |
| 5           | 114-3790           | 1           | Seal-Deflector           | 20:3        | 139-3515           | 1           | Decal-Shroud RH              |
| 6           | 136-8672           | 1           | Pin-Hinge, Deflector     | 20:4        | 139-3506           | 1           | Decal-Engine, Electric Start |
| 7           | 108-4939           | 1           | Chute                    | 21          | 138-8757           | 2           | Retainer-Shroud              |
| 8           | 321-18             | 1           | Screw-HH                 | 22          | 108-4946           | 3           | Screw-Plastite               |
| 9           | 108-4877           | 1           | Spacer-Sleeve, Pinion    | 24          | 136-7136           | 2           | Spring-Compression           |
| 10          | 108-4875           | 1           | Pinion-Gear              | 25          | 114-3772           | 1           | Seal-Ring, Chute             |
| 11          | 108-4900-03        | 1           | Bracket-Pinion           | 26          | 94-4496            | 1           | Screw-PPH                    |
| 12          | 114-3792           | 1           | Retainer-Cable           | 27          | 110-9361           | 2           | Screw-PPH                    |
| 13          | 3296-42            | 1           | Nut-Lock, NI             | 28          | 138-8754           | 1           | Cover-Side                   |
| 16          | 108-4883-03        | 1           | Ring-Support, Chute      | 30          | 117-9106           | 2           | Screw-HWH                    |
| 17          | 108-4882           | 1           | Ring-Chute, Gear         | 31          | 3296-9             | 2           | Nut-Hex                      |
| 18          | 108-4874-03        | 1           | Retainer-Ring, Chute     | 32          | 104-8310           | 1           | Ring-Retaining               |

● Not serviced separately

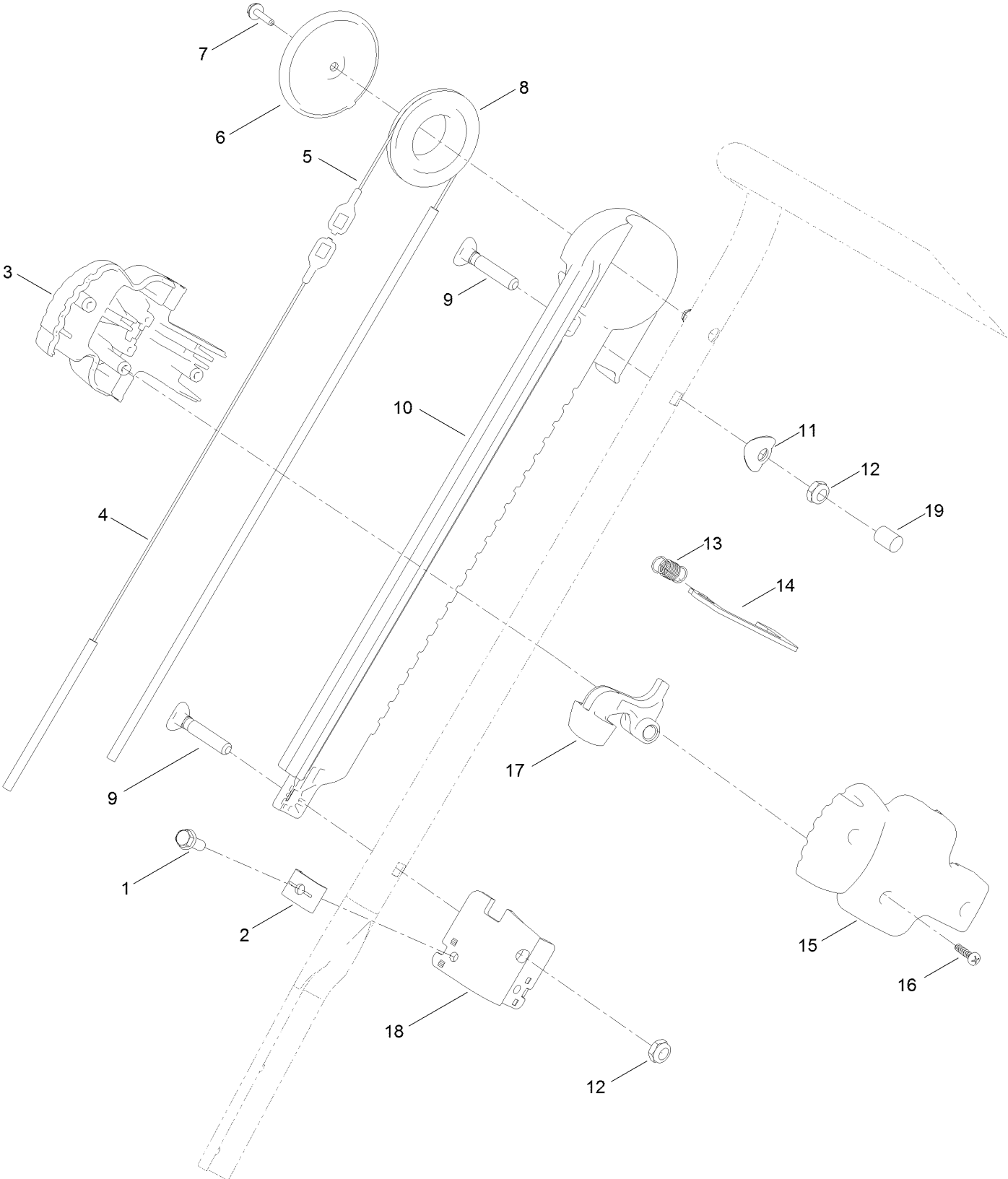
# Handle Assembly



## Handle Assembly (continued)

| <i>Ref.</i> | <i>Part Number</i> | <i>Qty.</i> | <i>Description</i>       | <i>Ref.</i> | <i>Part Number</i> | <i>Qty.</i> | <i>Description</i> |
|-------------|--------------------|-------------|--------------------------|-------------|--------------------|-------------|--------------------|
| 1           | 114-3768           | 1           | Upper Handle ASM         | 9           | 107-3844           | 3           | Washer             |
| 1:1         | 94-2577            | 1           | Decal-Drive, Rotor       | 11          | 114-3779           | 2           | Knob-Handle        |
| 2           | 114-3780-03        | 1           | Bail-Control             | 13          | 114-3778           | 1           | Nut-HF             |
| 3           | 114-3796           | 1           | Cover-Spring             | 18          | 139-3543           | 1           | Guide-Rope         |
| 4           | 136-7146           | 1           | Spring-Extension, Clutch | 20          | 139-3501           | 1           | Support-Switch Box |
| 5           | 136-7126           | 1           | Adjuster-Cable, Clutch   | 21          | 139-3502           | 1           | Cap-Support        |
| 7           | 136-7130           | 2           | Lock-Handle              | 22          | 3296-47            | 1           | Nut-Lock, NI       |
| 8           | 138-8760-03        | 1           | Handle-Lower             |             |                    |             |                    |

# Handle Chute Control Assembly



## Handle Chute Control Assembly (continued)

| <i>Ref.</i> | <i>Part Number</i> | <i>Qty.</i> | <i>Description</i> | <i>Ref.</i> | <i>Part Number</i> | <i>Qty.</i> | <i>Description</i> |
|-------------|--------------------|-------------|--------------------|-------------|--------------------|-------------|--------------------|
| 1           | 32144-85           | 2           | Screw-HWH          | 11          | 107-3844           | 1           | Washer             |
| 2           | 136-7191           | 2           | Clamp-Cable        | 12          | 3296-47            | 2           | Nut-Lock, NI       |
| 3           | 108-4912           | 1           | Handle-Slider, RH  | 13          | 108-4914           | 1           | Spring-Trigger     |
| 4           | 108-4897           | 1           | Cable-Chute, Short | 14          | 136-7131           | 1           | Lock Plate-Chute   |
| 5           | 108-4898           | 1           | Cable-Chute, Long  | 15          | 108-4911           | 1           | Handle-Slider, LH  |
| 6           | 108-4931           | 1           | Cover-Pulley       | 16          | 94-4496            | 3           | Screw-PPH          |
| 7           | 98-1375            | 1           | Screw-HWH          | 17          | 108-4913           | 1           | Trigger            |
| 8           | 108-4907           | 1           | Pulley-Slider      | 18          | 136-7132           | 1           | Bracket-Cable      |
| 9           | 107-3018           | 2           | Screw-Handle       | 19          | 125-7943           | 1           | Cap-Thread, Screw  |
| 10          | 108-4899           | 1           | Track-Slider       |             |                    |             |                    |

# Attachments and Accessories

## For 38756 Power Clear 721 QZE Snowthrower

| <b>Product Name</b>                                | <b>Model/Part</b> |
|----------------------------------------------------|-------------------|
| Engine Maintenance Kit.....                        | 138-0700          |
| Long Life Rotor Blade Kit .....                    | 38205             |
| Paddle Replacement Kit .....                       | 38261             |
| Case of 24 20-Ounce Bottles 5W30 Winter Oil .....  | 38908             |
| Toro Snow Oil 0W30 Synthetic 20-Ounce Bottle ..... | 38913             |
| Toro Single Stage Cover .....                      | 490-7464          |
| Plain Single Stage Cover .....                     | 490-7465          |



**Notes:**

**Notes:**

**Notes:**



**Count on it.**