



Count on it.

Parts Catalog

**53cm Super Recycler®
Lawn Mower**

Model No. 21691—Serial No. 405600000 and Up



Ordering Replacement Parts

To order replacement parts, please supply the part number, the quantity, and the description of each part desired.

Understanding Reference Numbers

Each identified part in an illustration has a reference number. The reference number for a part also appears in the parts list, along with other information about the part.

This catalog uses two special reference number formats, one to indicate parts in a service assembly and another to indicate the quantity of a given part in an illustration.

Service Assembly Reference Numbers

Parts in service assemblies have reference numbers in the form a:b. The a represents the reference number of the entire service assembly and the b represents a sequential number unique to each part within the service assembly.

For example, a wheel assembly might be identified by reference number 6, the tire by 6:1, the valve by 6:2, and the wheel by 6:3. When you order the assembly identified by reference number 6, you receive all parts identified by reference numbers 6:1, 6:2, and 6:3. However, you may also order any part individually. Reference numbers of this type appear in illustration and in parts lists.

Reference Numbers Indicating Quantity

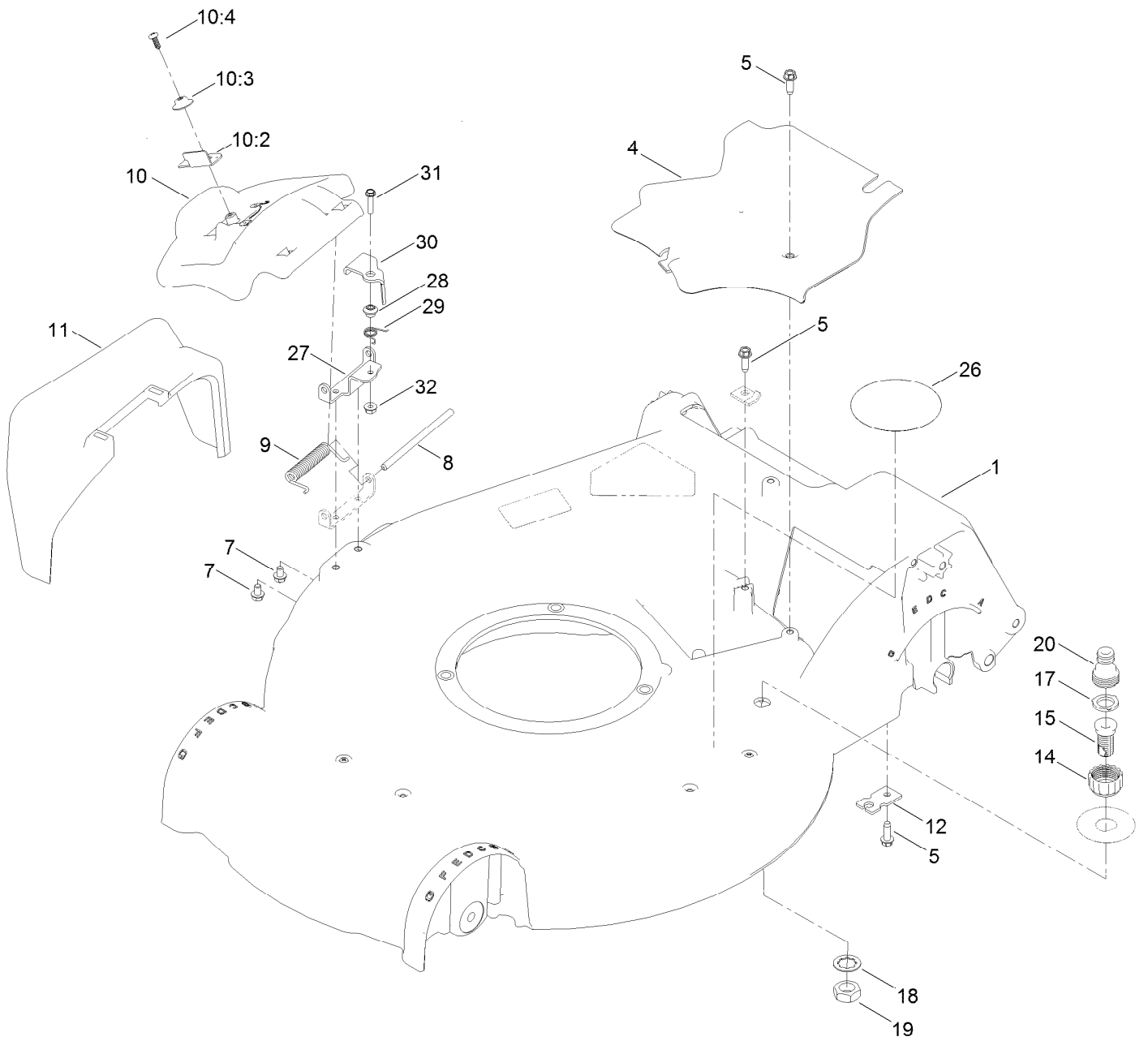
In an illustration, if a reference number indicates more than one part, the reference number has the form nX y. The n represents the quantity of the part, the X is the multiplication symbol, and the y represents the reference number.

For example, in an illustration, the reference number 2X 37 means that two of the parts identified by reference number 37 are indicated.

Contents

Housing Assembly	4
Housing Assembly No. 115-2855	6
Chute and Rear Door Assembly	8
Bag Assembly	10
Engine and Blade Assembly	12
Front Wheel and Height-of-Cut Assembly	14
Rear Wheel and Height-of-Cut Assembly	16
Handle Assembly	18
Electrical Assembly	20
Attachments and Accessories	22

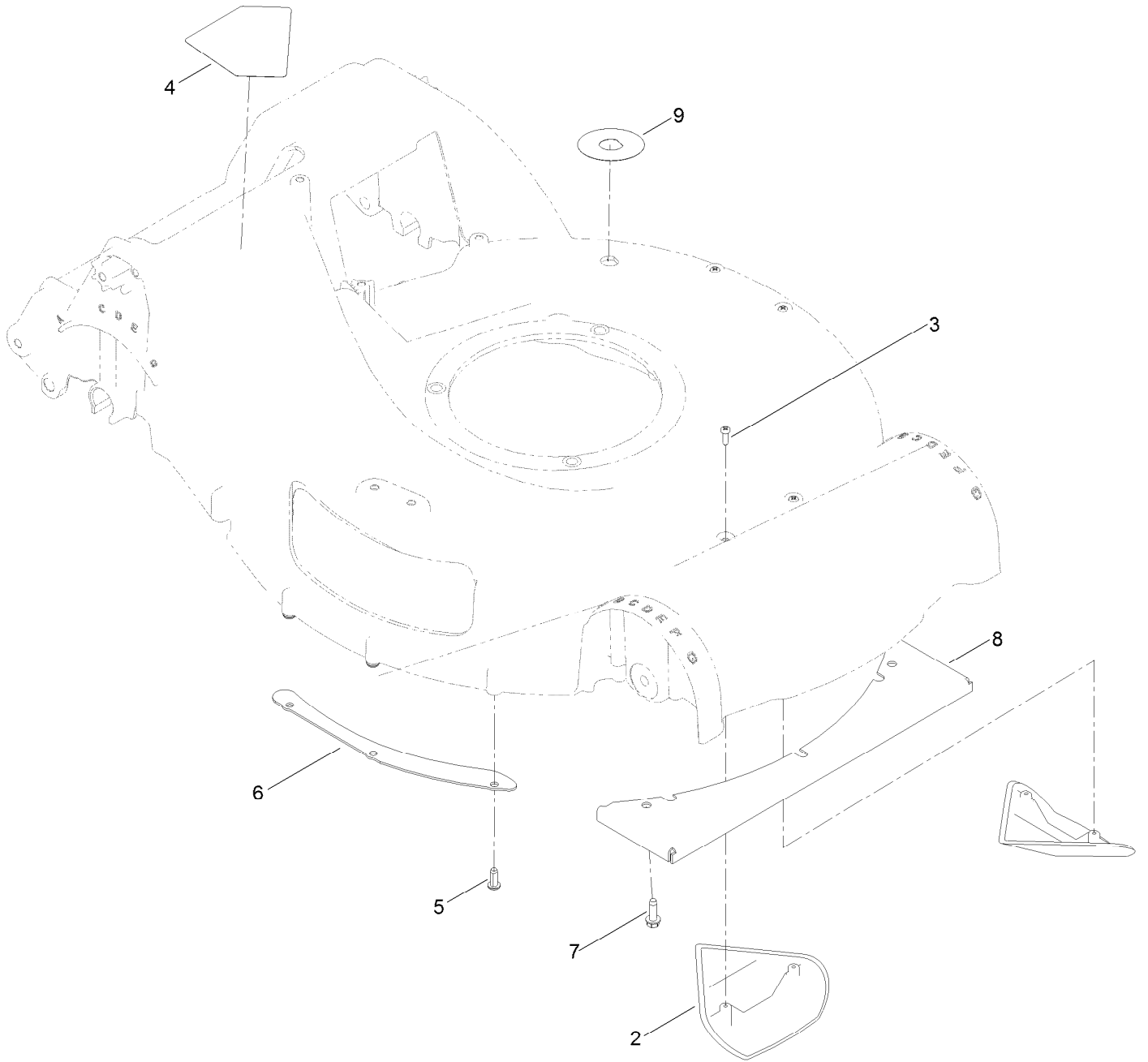
Housing Assembly



Housing Assembly (continued)

<i>Ref.</i>	<i>Part Number</i>	<i>Qty.</i>	<i>Description</i>	<i>Ref.</i>	<i>Part Number</i>	<i>Qty.</i>	<i>Description</i>
1	115-2855	1	Housing ASM	15	112-6400	1	Port-Washout
4	107-7494	1	Cover-Belt	17	112-6438	1	Washer-Seal, Washout Port
5	49-2040	2	Screw-HWHTF	18	139-1721	1	Washer-Lock, Int Tooth
7	137-4795	2	Screw	19	3218-6	1	Nut-Jam
8	99-5291	1	Rod-Cover	20	112-6437	1	Adapter-Connect, Quick
9	99-5293	1	Spring-Torsion	26	133-1986	1	Decal-Pos
10	138-3259	1	Discharge Door ASM	27	138-3293	1	Bracket-Lockout
10:2	138-3221	1	Latch-Door	28	107-7463	1	Spacer
10:3	138-3242	1	Cap-Door	29	107-7462	1	Spring-Torsion
10:4	137-9137	1	Screw-PPH	30	138-3292	1	Lever-Lockout
11	108-3753	1	Chute-Discharge, Side	31	106-9169	1	Screw-HWH
12	138-3224	1	Bracket-Cable, Traction	32	139-1712	1	Nut-Hex Flange
14	112-6401	1	Coupling-Hose, Washout Port				

Housing Assembly No. 115-2855

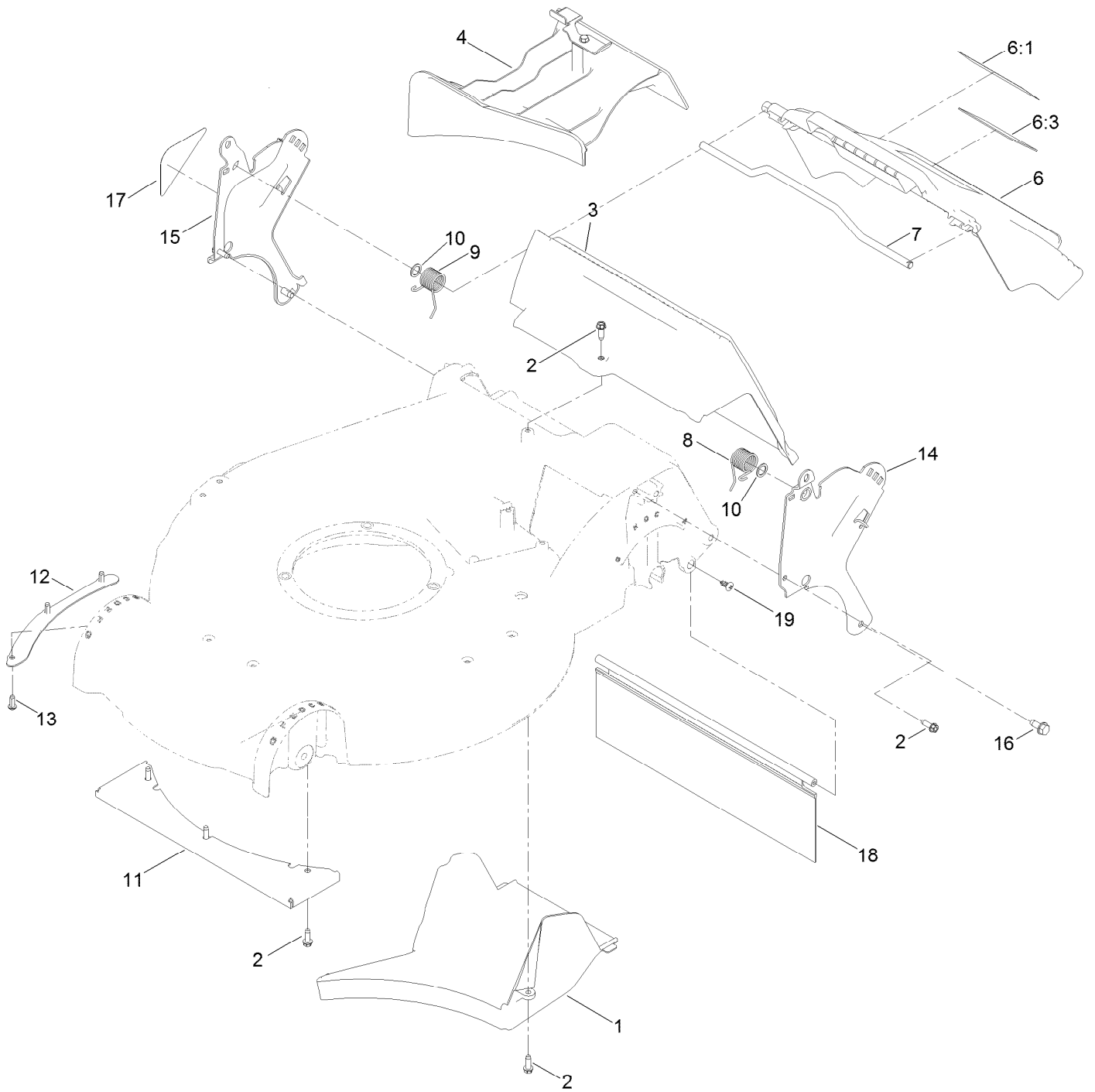


Housing Assembly No. 115-2855 (continued)

<i>Ref.</i>	<i>Part Number</i>	<i>Qty.</i>	<i>Description</i>
2	108-3798	2	Kicker-Housing
3	32144-111	4	Screw-PPH
4	112-8760	1	Decal-Danger
5	63-8590	3	Screw

<i>Ref.</i>	<i>Part Number</i>	<i>Qty.</i>	<i>Description</i>
6	105-1316-03	1	Sheet-Lip
7	49-2040	3	Screw-HWHTF
8	108-3797-03	1	Plate-Cover, Front
9	137-9196	1	Decal-Quick Wash

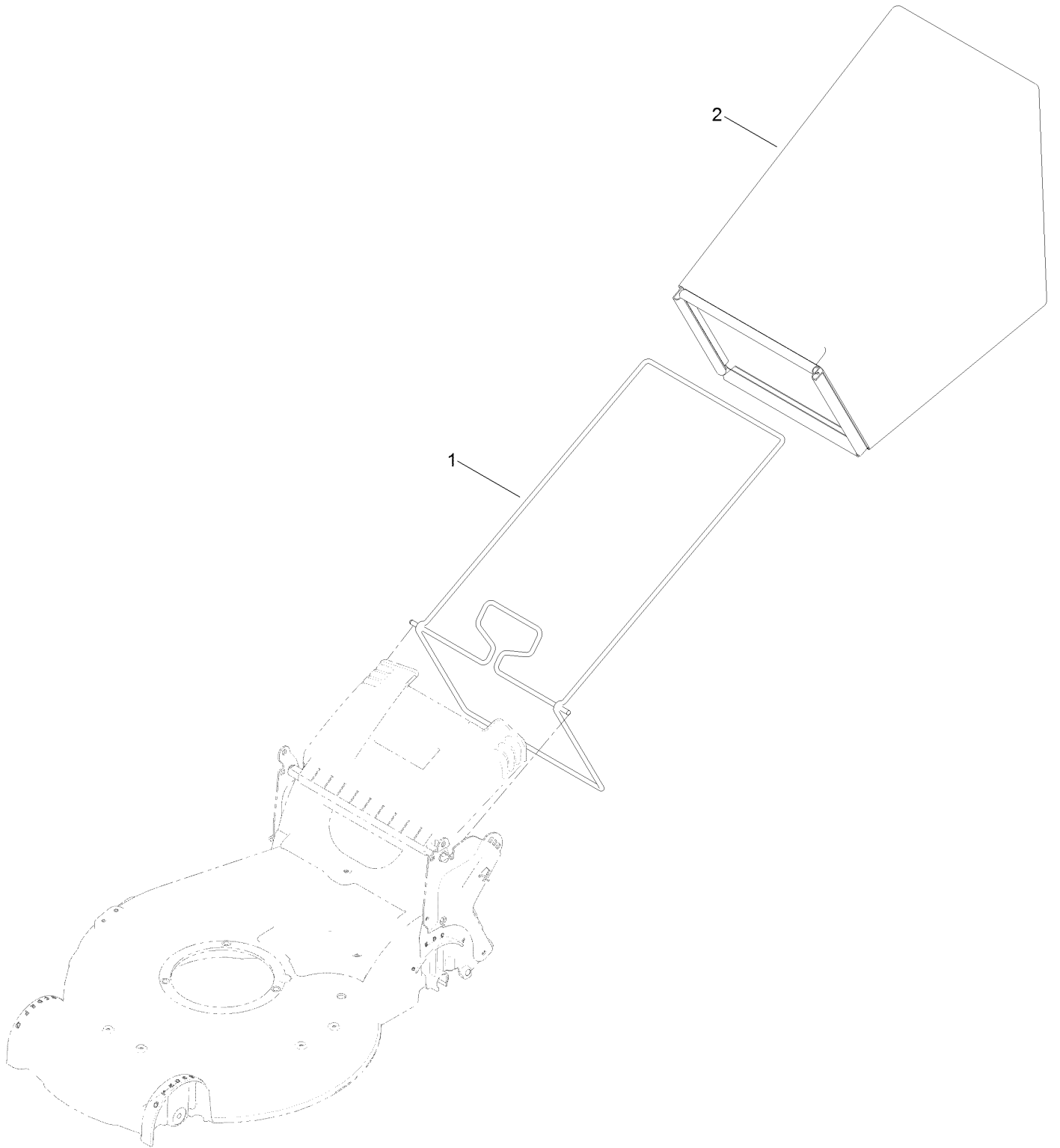
Chute and Rear Door Assembly



Chute and Rear Door Assembly (continued)

<i>Ref.</i>	<i>Part Number</i>	<i>Qty.</i>	<i>Description</i>	<i>Ref.</i>	<i>Part Number</i>	<i>Qty.</i>	<i>Description</i>
1	107-7495	1	Tunnel-Discharge	10	94-8196	2	Washer-Nylon
2	49-2040	8	Screw-HWHTF	11	108-3797-03	1	Plate-Cover, Front
3	114-2668	1	Chute	12	105-1316-03	1	Sheet-Lip
4	139-5400	1	Mulch Plug ASM	13	63-8590	3	Screw
6	119-3803	1	Rear Door ASM	14	114-2671-03	1	Bracket-Handle, LH
6:1	131-4514	1	Decal-Warning	15	114-2672-03	1	Bracket-Handle, RH
6:3	104-7908	1	Decal-Warning	16	32144-70	2	Screw-HWHTF
7	117-9378	1	Rod-Deflector	17	115-2884	1	Decal-Instruction
8	115-2859	1	Spring-Torsion	18	120-7011	1	Shield-Trailing
9	114-7924	1	Spring-Torsion	19	139-1692	2	Screw-Thd

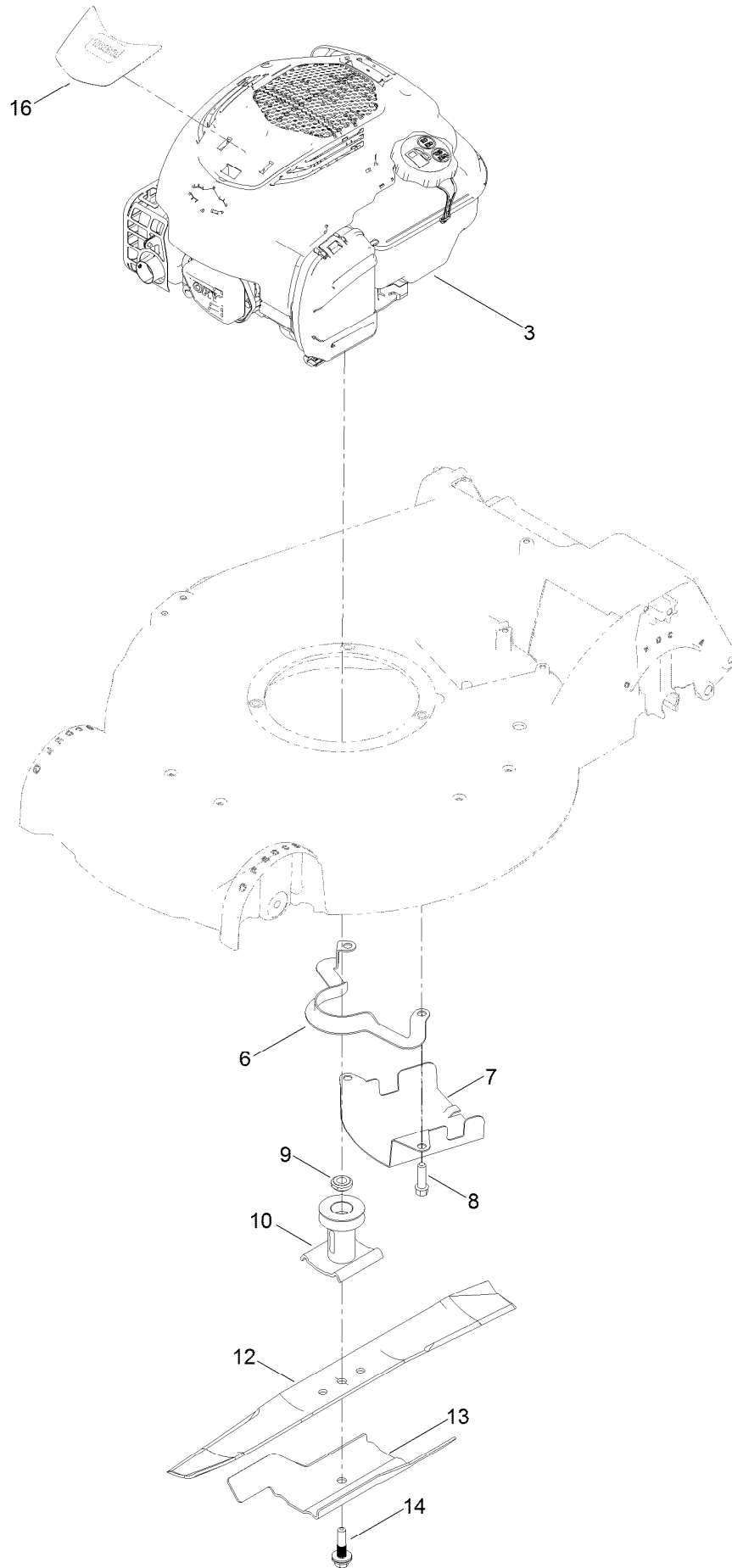
Bag Assembly



Bag Assembly (continued)

<i>Ref.</i>	<i>Part Number</i>	<i>Qty.</i>	<i>Description</i>
1	132-4529-03	1	Bag Frame ASM
2	114-2664	1	Grass Bag ASM

Engine and Blade Assembly



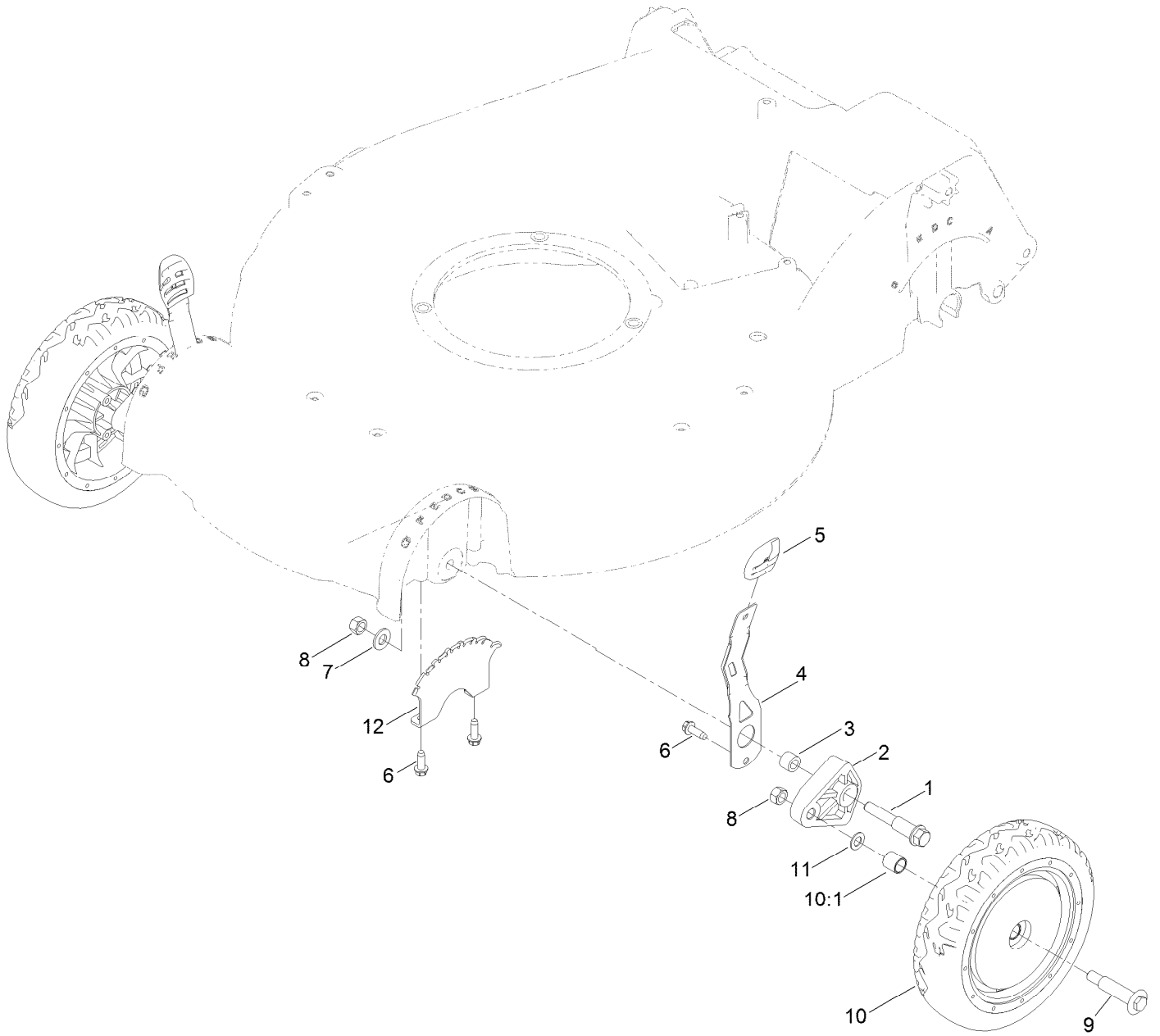
Engine and Blade Assembly (continued)

<i>Ref.</i>	<i>Part Number</i>	<i>Qty.</i>	<i>Description</i>	<i>Ref.</i>	<i>Part Number</i>	<i>Qty.</i>	<i>Description</i>
3		1	Engine-Briggs 104M050051F1 ●■	10	106-3987	1	Driver-Blade
6	108-8110-03	1	Guide-Belt	12	133-8183-03	1	Blade-Recycling, 21In
7	107-7489-03	1	Shield-Grass	13	105-6848-03	1	Accelerator-Blade
8	95-1727	3	Screw-Taptite	14	125-2466	1	Bolt-Blade
9	106-3999	1	Spacer-Driver	16	132-4472	1	Decal-Shroud

● Not serviced separately

■ Obtain parts from www.briggsandstratton.com

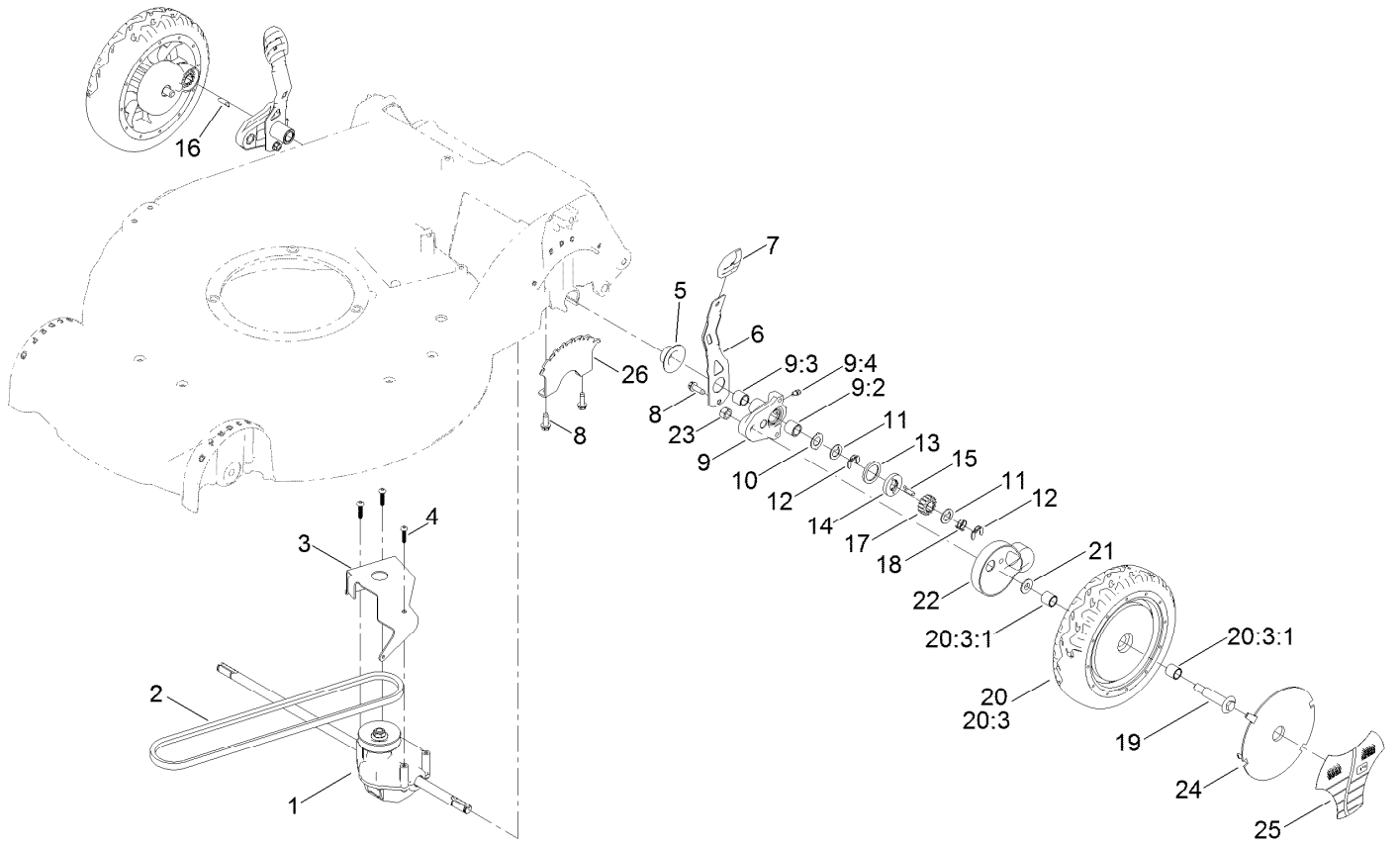
Front Wheel and Height-of-Cut Assembly



Front Wheel and Height-of-Cut Assembly (continued)

<i>Ref.</i>	<i>Part Number</i>	<i>Qty.</i>	<i>Description</i>	<i>Ref.</i>	<i>Part Number</i>	<i>Qty.</i>	<i>Description</i>
1	114-3467	2	Screw-Shoulder	8	603773	4	Locknut
2	107-7492	2	Arm-Pivot	9	92-1057	2	Bolt-Shoulder
3	52-2480	2	Spacer-Wheel	10	107-3706	2	8 Inch Wheel ASM
4	107-7491	2	Arm-Spring	10:1	27-6250	2	Bushing
5	105-3042	2	Knob-Lever, HOC	11	40-1940	2	Washer
6	49-2040	6	Screw-HWHTF	12	139-1669-05	2	Plate-HOC
7	115-1166	2	Washer-Flat				

Rear Wheel and Height-of-Cut Assembly

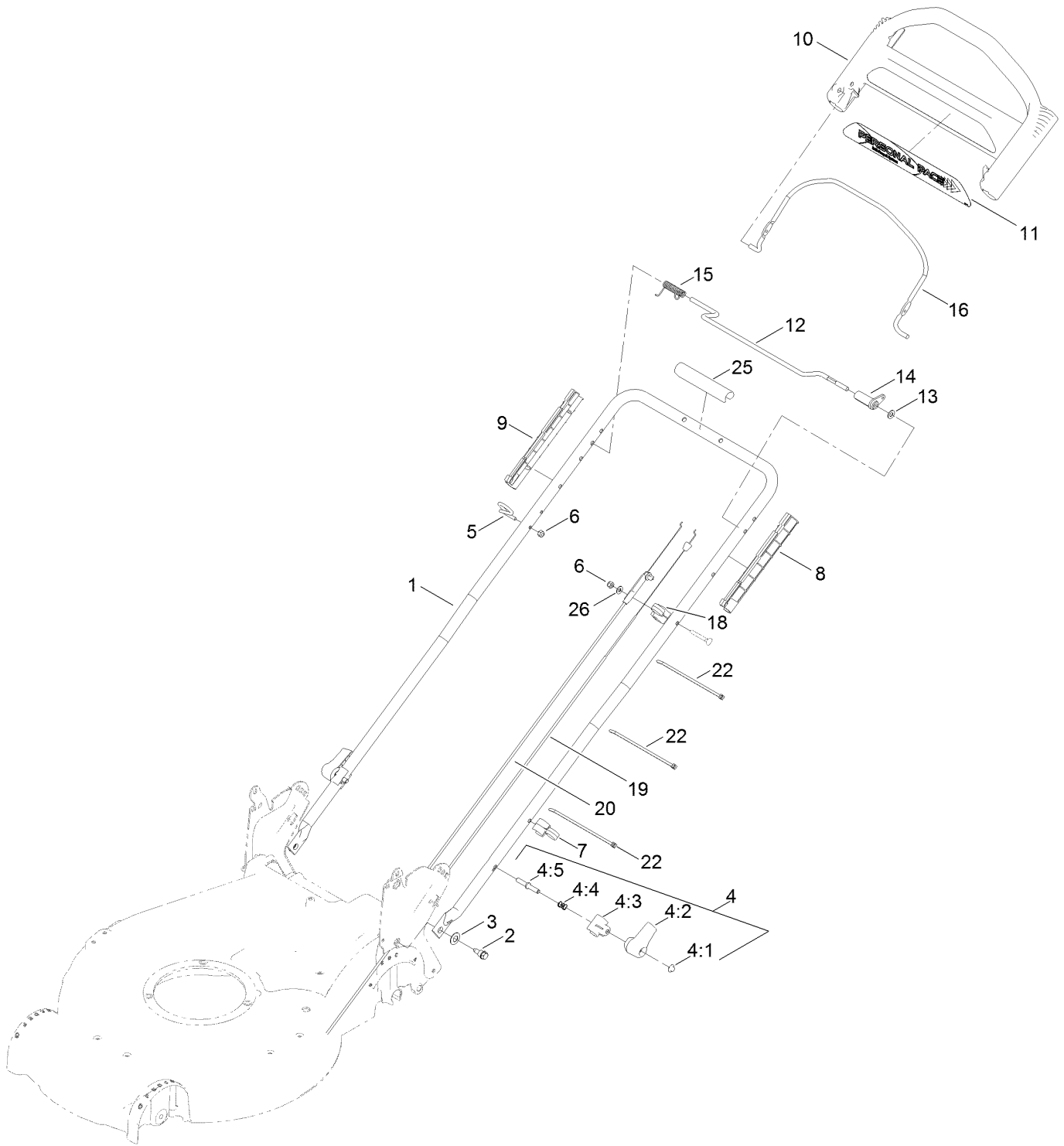


Rear Wheel and Height-of-Cut Assembly (continued)

<i>Ref.</i>	<i>Part Number</i>	<i>Qty.</i>	<i>Description</i>	<i>Ref.</i>	<i>Part Number</i>	<i>Qty.</i>	<i>Description</i>
1	121-9184	1	Transmission ASM	14	65-4760	2	Washer-Clutch
2	115-4669	1	Belt-V	15	139-6644	1	Key-Rocking, L.H.
3	114-7977-03	1	Bracket-Transmission	16	139-6643	1	Key-Rocking, R.H.
4	120-9676	3	Screw-Plastite	17	65-4750	2	Gear-Pinion
5	138-3235	2	Cap-End	18	65-4720	2	Spring-Compression
6	107-7491	2	Arm-Spring	19	92-1057	2	Bolt-Shoulder
7	105-3042	2	Knob-Lever, HOC	20	107-3707	2	8 Inch Wheel And Gear ASM
8	49-2040	6	Screw-HWHTF				
9	100-8774	2	Pivot Arm ASM	20:3		1	8 Inch Wheel ASM ●
9:2	47-2900	1	Bushing	20:3:1	27-6250	2	Bushing
9:3	70-9760	1	Bushing	21	74-1671	2	Spacer-Cover, Wheel
9:4	302-56	1	Fitting-Grease	22	74-1660	2	Cover-Wheel
10	65-4730	2	Washer-Arm, Pivot	23	603773	2	Locknut
11	65-4740	4	Washer-Thrust, Keyed	24	100-6351	1	Cover-Wheel
12	65-2720	4	Ring-Retaining, Clip	25	100-1519	1	Label-Wheel, Smart
13	65-4710	2	Ring-Friction	26	139-1669-05	2	Plate-HOC

● Not serviced separately

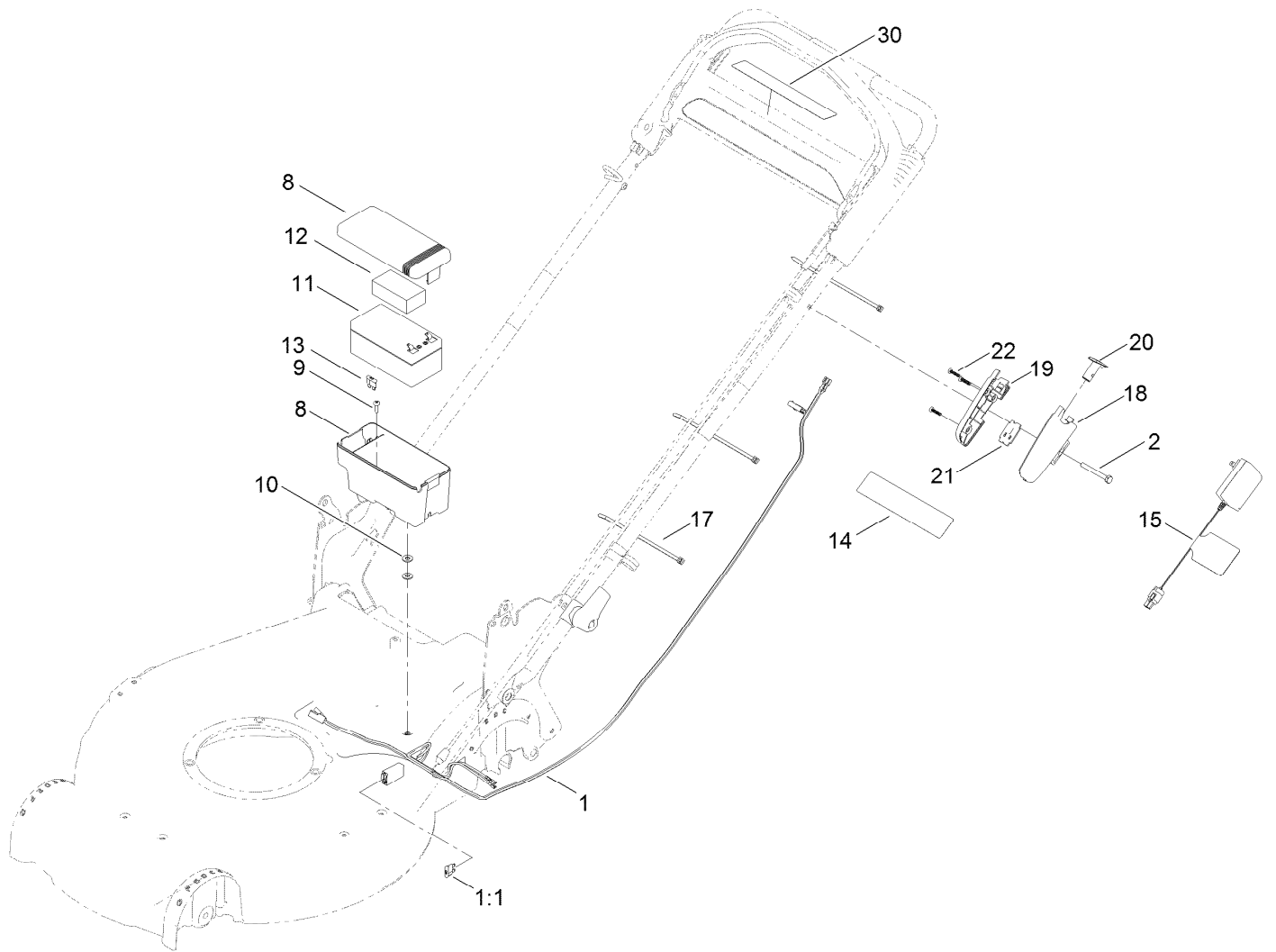
Handle Assembly



Handle Assembly (continued)

<i>Ref.</i>	<i>Part Number</i>	<i>Qty.</i>	<i>Description</i>	<i>Ref.</i>	<i>Part Number</i>	<i>Qty.</i>	<i>Description</i>
1	132-4460-05	1	Handle	10	104-8678	1	Handle-Control
2	115-1958	2	Bolt-Shoulder	11	120-3911	1	Decal-Handle
3	112-9972	2	Washer-Spring, Conical	12	136-7150	1	Bar-Control, Traction
4	138-3249	2	Quick Release ASM	13	120-9683	1	Washer-Plain
4:1	32112-11	1	Nut-Push	14	99-1589	1	Lever-Traction
4:2	138-3248	1	Lever-Release	15	136-7166	1	Spring-Torsion
4:3	138-3253	1	Anchor-Spring	16	131-0880-03	1	Bail-Brake
4:4	115-2858	1	Spring-Compression	18	136-5864	1	Anchor-Cable
4:5	138-3243	1	Rod-Release	19	117-9389	1	Cable-Traction
5	86-9671	1	Guide-Rope	20	117-5900	1	Cable-Brake
6	137-3094	2	Nut-Hex	22	614249	3	Tie-Cable
7	114-7988	1	Guide-Cable	25	131-4551	1	Cover-Handle
8	105-6842	1	Guide-LH	26	139-1699	1	Washer-Flat
9	105-6841	1	Guide-RH				

Electrical Assembly



Electrical Assembly (continued)

<i>Ref.</i>	<i>Part Number</i>	<i>Qty.</i>	<i>Description</i>	<i>Ref.</i>	<i>Part Number</i>	<i>Qty.</i>	<i>Description</i>
1	125-5025	1	Harness-Wire	14	140-4357	1	Decal-Battery Charging
1:1	99-6124	1	Fuse-40 Amp	15	137-9153	1	Charger, Battery (12V, CE)
2	137-3034	1	Screw-HH	17	614249	3	Tie-Cable
8	108-4844	1	Battery Box ASM	18	133-8160	1	Housing-Switch, LH
9	139-1714	1	Screw-Thd Form	19	133-8161	1	Housing-Switch, RH
10	120-9679	2	Washer-Flat	20	125-2470	1	Button-Switch
11	106-8397	1	Battery-Wet	21	121-9173	1	Switch-Push Button
12	107-3774	1	Foam-Battery, Top	22	94-4496	3	Screw-PPH
13	99-6124	1	Fuse-40 Amp	30	133-1900	1	Decal-Button, Push

Attachments and Accessories

For 21691 53cm Super Recycler Lawn Mower

Product Name	Model/Part
Lawnmower Cover.....	490-7462
Traction Assist Handle Kit.....	131-4590
Bag-Walk Behind (Toro).....	490-7318
Summer Oil-Case of 24 (20oz Bottles).....	38916
4-Cycle Fuel, Snow And Lawn 32oz Can	131-3823
Oil-30/10W-30 Synthetic (Quart).....	138-6053
Toro Premium Fuel Treatment 12 Oz Bottle	131-6572
Toro 4-Cycle SAE 30 Oil (32oz Bottle)	38903

Notes:



Count on it.