



**Count on it.**

**Parts Catalog**

**Pro Sneak 365 Vibratory Plow**

Model No. 25403—Serial No. 314000001 and Up

Model No. 25403A—Serial No. 314000001 and Up

Model No. 25403C—Serial No. 314000001 and Up



# Ordering Replacement Parts

To order replacement parts, please supply the part number, the quantity, and the description of each part desired.

## Understanding Reference Numbers

Each identified part in an illustration has a reference number. The reference number for a part also appears in the parts list, along with other information about the part.

This catalog uses two special reference number formats, one to indicate parts in a service assembly and another to indicate the quantity of a given part in an illustration.

## Service Assembly Reference Numbers

Parts in service assemblies have reference numbers in the form a:b. The a represents the reference number of the entire service assembly and the b represents a sequential number unique to each part within the service assembly.

For example, a wheel assembly might be identified by reference number 6, the tire by 6:1, the valve by 6:2, and the wheel by 6:3. When you order the assembly identified by reference number 6, you receive all parts identified by reference numbers 6:1, 6:2, and 6:3. However, you may also order any part individually. Reference numbers of this type appear in illustration and in parts lists.

## Reference Numbers Indicating Quantity

In an illustration, if a reference number indicates more than one part, the reference number has the form nX y. The n represents the quantity of the part, the X is the multiplication symbol, and the y represents the reference number.

For example, in an illustration, the reference number 2X 37 means that two of the parts identified by reference number 37 are indicated.

# Contents

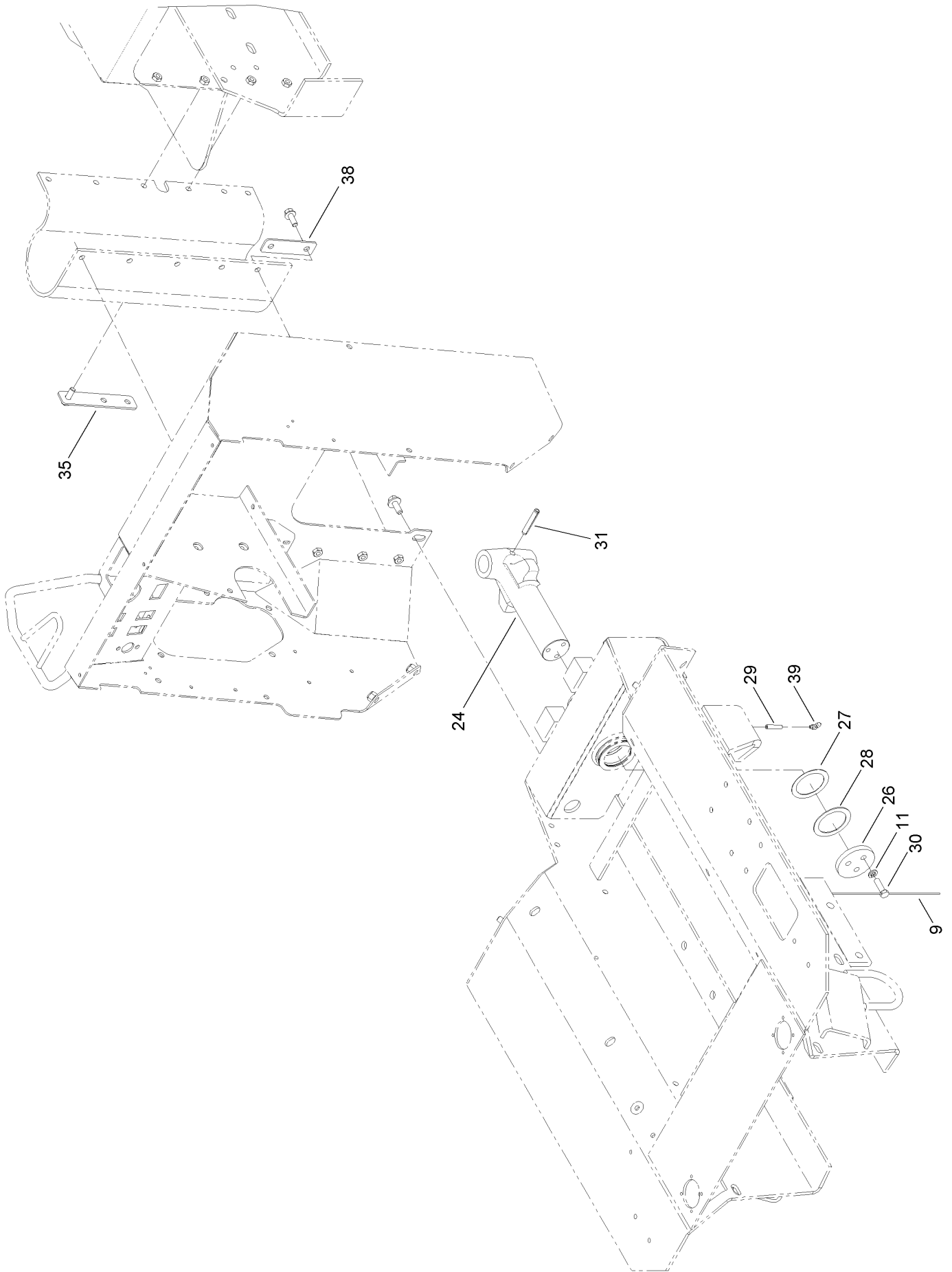
Pivot Assembly	6
Support and Floorboard Assembly	8
Front Frame and Panel Assembly	10
Console Assembly	12
Seat and Rear Frame Assembly	14
Drive Assembly	16
Drive Axle Assembly No. AU110858A1-03	18
Transmission Assembly No. AU104951	20
Drive Shaft Assembly No. AU111086A1	22
Ground Drive Control Assembly	24
Neutral Switch Mounting Assembly No. 130-7376	26
Ground Drive Spring Assembly	28
Seat Belt Assembly	30
Roll-Over Protection System Assembly	32
Brake Assembly	34
Brake Caliper Assembly No. AUH673926	36
Shroud Assembly	38
Engine Assembly	40
Air Cleaner and Radiator Hose Assembly	42
Air Filter Assembly No. 127-6617	44
Electrical Assembly	46
Battery Assembly	48
Electrical Relay, Lamp and Switch Assembly	50
Fuel Tank Assembly	52
Fuel Pump and Oil Filter Assembly	54
Hydraulic Tank Assembly	56
Steering Assembly	58
Hydraulic Steering Valve Assembly No. AU407213A1	60
Pump Assembly	62
Hydraulic Variable Pump Assembly No. AU239918A1	64
Hydraulic Plumbing Assembly	66
Hydraulic Piston Motor Assembly No. AU239920A2	68
Hydraulic Plumbing Assembly No. 2	70
Plow Frame, Blade Mounting and Transmission Assembly	72
Gear Case Assembly No. AUH530204	74
Plow Cylinder Assembly	76
Plow Pivot and Quick Attach Slide Assembly	78
23 Inch Wheel and Tire Assembly	80
26 Inch Wheel and Tire Assembly	82
Cylinder Block Assembly	84
Gear Housing Assembly	86
Flywheel Housing and Oil Sump Assembly	88
Cylinder Head and Cover Assembly	90
Suction Manifold Assembly	92
Exhaust Manifold Assembly	94
Diesel Particulate Filter Assembly	96
Camshaft and Driving Gear Assembly	98
Crankshaft and Piston Assembly	100
Lubrication and Oil System Assembly	102
Cooling Water System Assembly	104
Fuel System Assembly	106
Fuel Injection Valve Assembly	108
Fuel Line Assembly	110
Starting Motor Assembly	112

# Contents (continued)

Generator Assembly ..... 114  
Electronic Control Unit Assembly..... 116  
Electric Parts Assembly..... 118  
Gasket Set..... 120  
Attachments and Accessories ..... 122



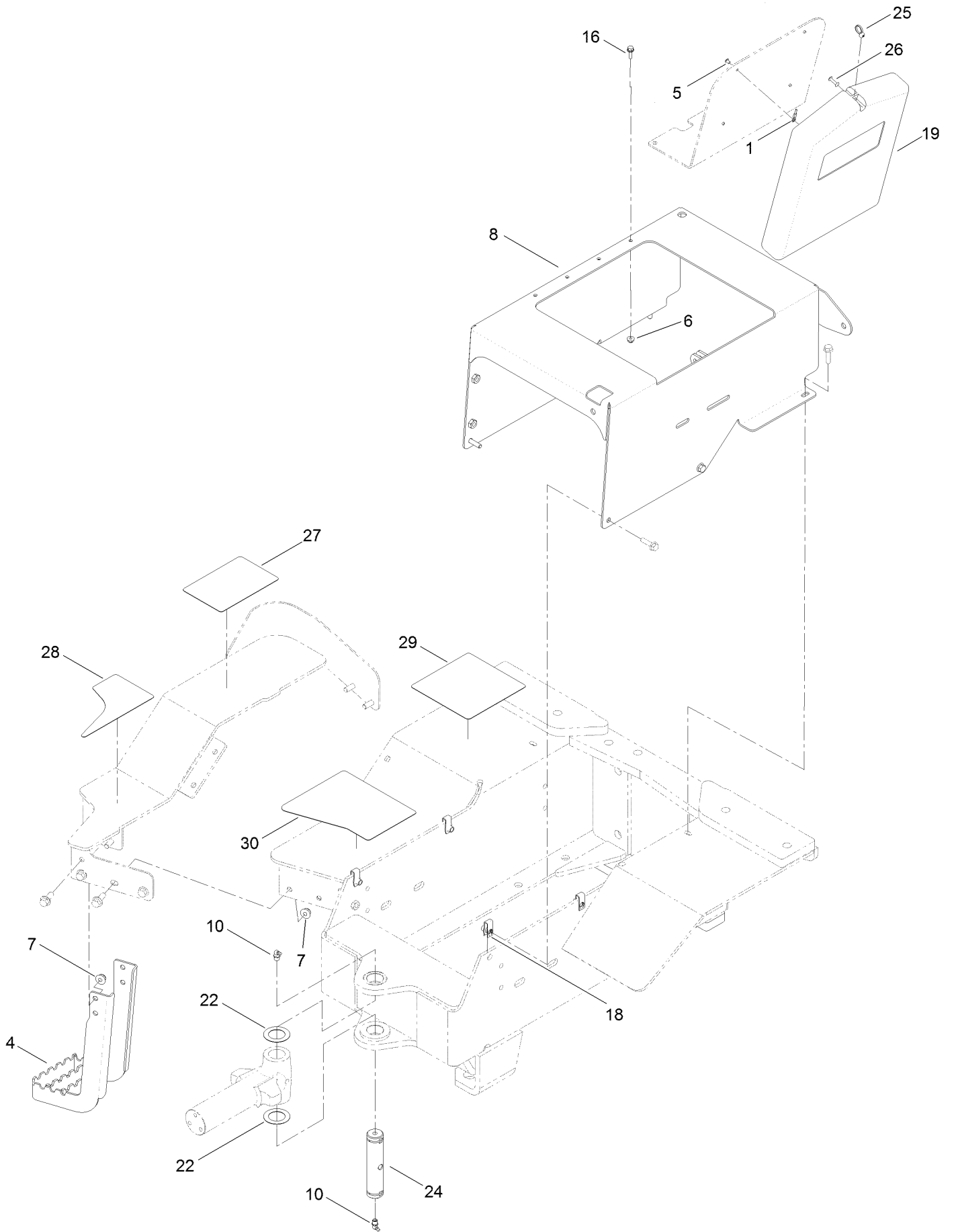
# Pivot Assembly



## Pivot Assembly (continued)

<i>Ref.</i>	<i>Part Number</i>	<i>Qty.</i>	<i>Description</i>	<i>Ref.</i>	<i>Part Number</i>	<i>Qty.</i>	<i>Description</i>
9	AU391-620	1	Wire-Steel	29	AU219-417	1	Fitting-Lube
11	3253-21	3	Washer-Lock	30	AUH95877	3	Screw-HH
24	AU127310A1-01	1	Pivot-Articulation	31	AU38-12436	1	Pin-Slotted, Spring
26	AUH182543	1	Cap	35	125-6648-03	1	Plate
27	AUH191148	2	Shim-Thin	38	127-1092-03	1	Plate
28	AUH191155	2	Shim	39	1481	1	Fitting-Grease

# Support and Floorboard Assembly

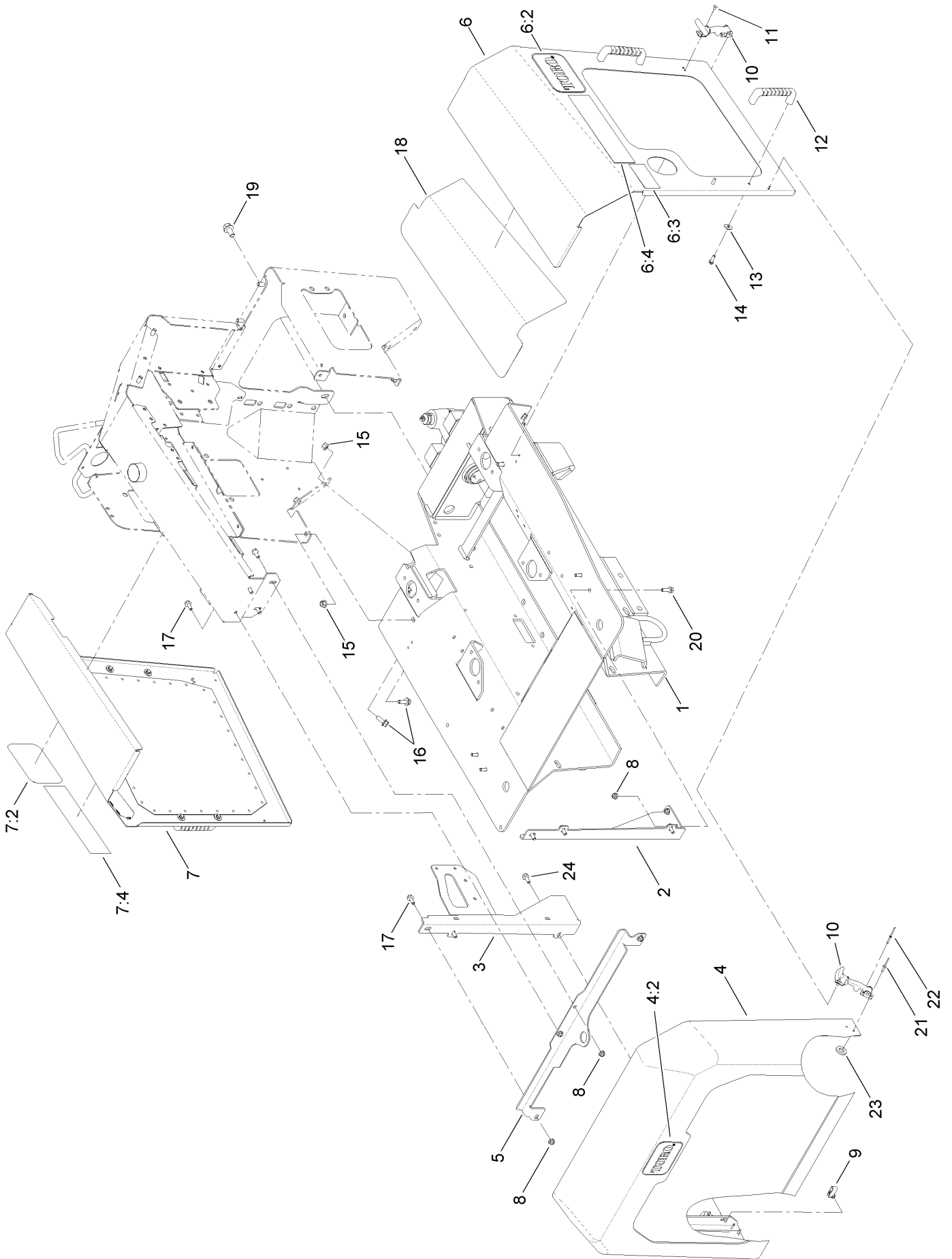




## Support and Floorboard Assembly (continued)

<i>Ref.</i>	<i>Part Number</i>	<i>Qty.</i>	<i>Description</i>	<i>Ref.</i>	<i>Part Number</i>	<i>Qty.</i>	<i>Description</i>
1	AUR46465	1	Lanyard	19	AU103216	1	Holder-Manual, Operator
4	125-6656-01	1	Step-Platform	22	AUH257915	2	Shim
5	1-803035	4	Rivet-Pop	24	AUH371054	1	Pin-Pivot
6	104-7201	4	Nut-HF	25	AUR40745	1	Strap-Tie, Nylon
7	104-8301	8	Nut-HF, NI	26	AUR46463	1	Post-Manual
8	127-1098-01	1	Support-Seat	27	127-1078	1	Tread-Floorboard
10	302-33	2	Fitting-Grease	28	127-1077	1	Tread-Floorboard
16	115-5103	4	Screw-HHF	29	127-1080	1	Tread-Floorboard
18	AU100862	4	Nut-U	30	127-1079	1	Tread-Floorboard

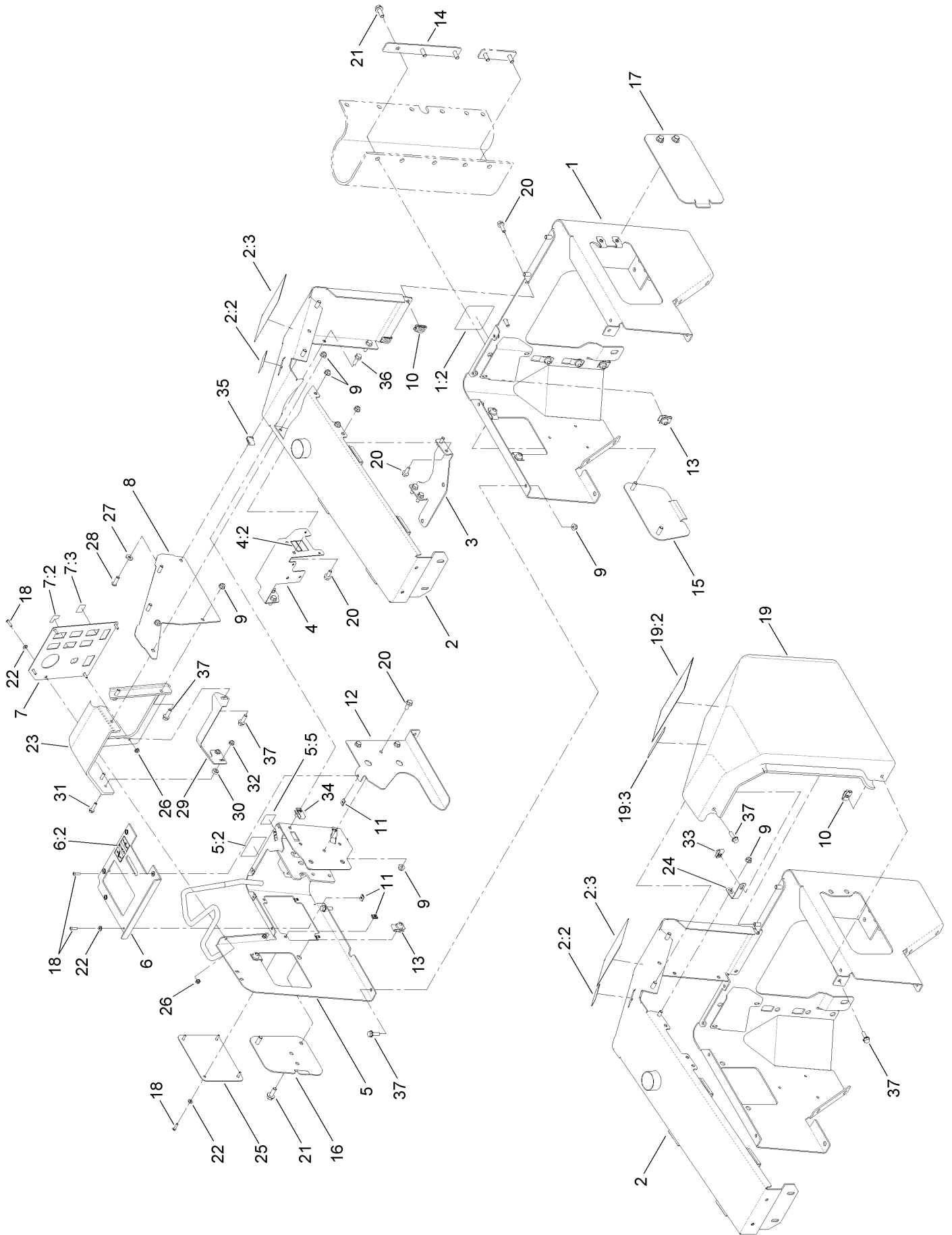
# Front Frame and Panel Assembly



## Front Frame and Panel Assembly (continued)

<i>Ref.</i>	<i>Part Number</i>	<i>Qty.</i>	<i>Description</i>	<i>Ref.</i>	<i>Part Number</i>	<i>Qty.</i>	<i>Description</i>
1	127-6569	1	Front Frame And Decal ASM	10	ST35289	4	Latch-Flex, Draw
2	127-6586-03	1	Bracket-Cooler, LH	11	3290-409	12	Rivet
3	127-6585-03	1	Bracket-Cooler, RH	12	65-5100	4	Handle-Door
4	130-4265	1	Front Cover ASM	13	87-6630	8	Washer-Plain
4:2	67-1300	1	Decal	14	46-8091	8	Screw-HWH
5	127-6582-03	1	Bracket-Cooling, Top	15	32128-36	6	Nut-HF
6	130-4275	1	LH Hood Panel ASM	16	3234-42	6	Screw-HHF
6:2	62-5550	1	Decal	17	3234-47	6	Screw-HHF
6:3	125-4963	1	Decal-Surface, Hot	18	130-7380	1	Tape-Heat Shield
6:4	130-4339	1	Decal-Pro Sneak 365	19	3234-6	2	Screw-HHF
7	130-4274	1	RH Hood Panel ASM	20	3234-29	4	Screw-HHF
7:2	62-5550	1	Decal	21	3269-4	2	Rivet-Pop
7:4	130-4339	1	Decal-Pro Sneak 365	22	99-7122	2	Rivet-Annodized
8	104-8300	10	Nut-HF, NI	23	120-9680	4	Washer-Flat
9	AU100862	4	Nut-U	24	33104-020	4	Screw-HHF

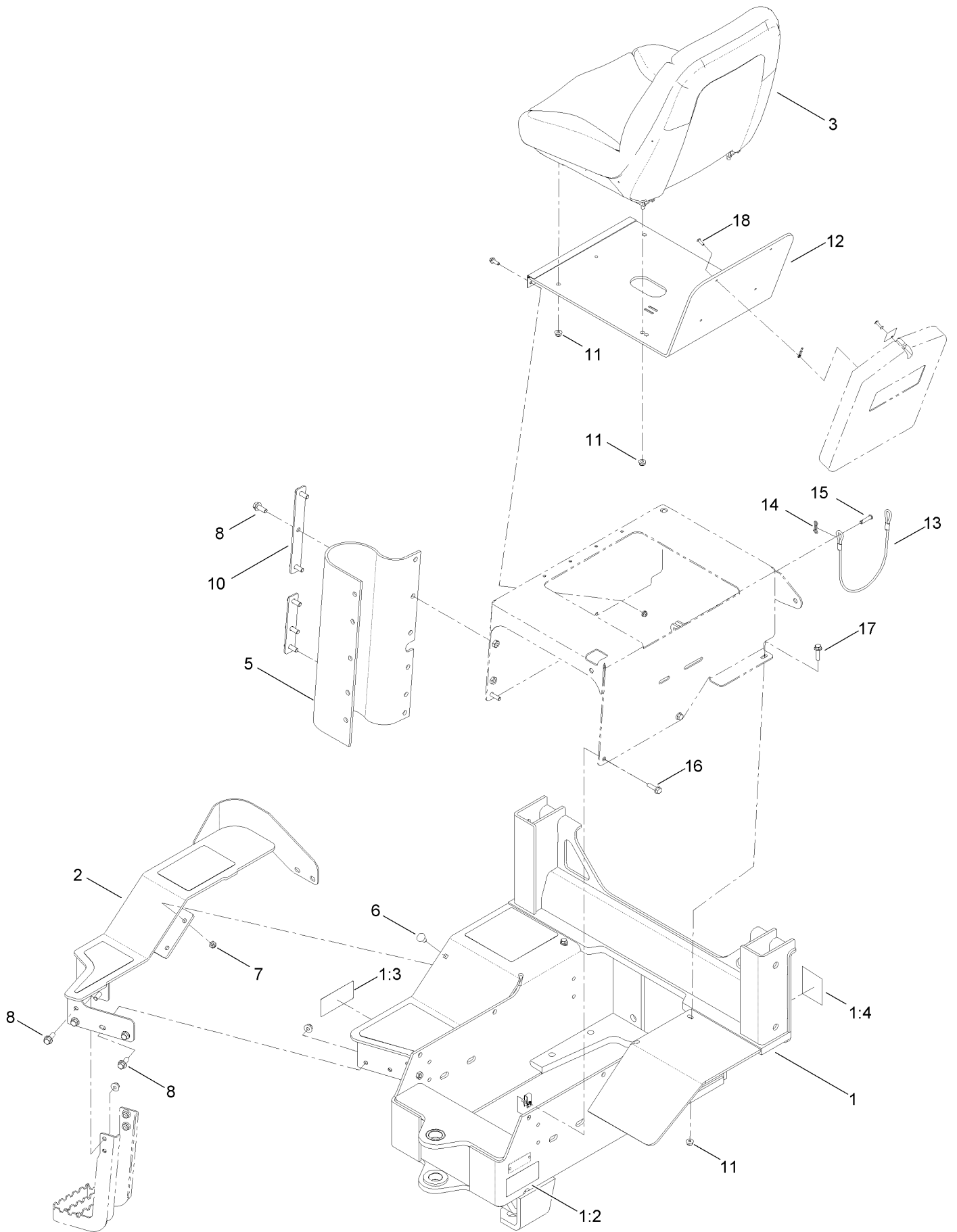
# Console Assembly



## Console Assembly (continued)

<i>Ref.</i>	<i>Part Number</i>	<i>Qty.</i>	<i>Description</i>	<i>Ref.</i>	<i>Part Number</i>	<i>Qty.</i>	<i>Description</i>
1	130-4262	1	Lower Console ASM	16	130-4295-01	1	Cover-Selector
1:2	125-8491	1	Decal-Warning, Shield	17	130-4293-01	1	Cover-Hydraborer
2	130-4276	1	Center Console ASM	18	104-2408	14	Screw-HSBH
2:2	130-4340	1	Decal-Throttle	19	130-4342	1	Cover ASM
2:3	127-1824	1	Decal-Start Up, Shut Down	19:2	130-4343	1	Decal-Safety
3	130-4261-03	1	Bracket-Air Cleaner	19:3	117-2718	1	Decal-Arrester, Spark
4	130-4280	1	Relay Bracket ASM	20	3234-47	13	Screw-HHF
4:2	130-4291	1	Decal-Regen Inhibit	21	3234-42	11	Screw-HHF
5	130-4263	1	Upper Console ASM	22	3256-77	14	Washer-Flat
5:2	125-6674	1	Decal-Parking Brake	23	130-4259	1	Panel-Instrument, Plastic
5:5	125-6680	1	Decal-Ground Drive Control	24	130-7410	1	Bracket-Cover
6	130-4266	1	Top Control Plate ASM	25	130-7386-01	1	Cover-Trencher
6:2	130-7361	1	Decal-Attachment Lift	26	32128-17	5	Nut-Lock, Flange
7	130-4264	1	Instrument Panel ASM	27	105-5769	3	Washer
7:2	130-4341	1	Decal-Ack	28	109-4872	3	Screw-HSH
7:3	130-7360	1	Decal-Ignition	29	130-7408-03	1	Bracket-Support, Instrument
8	127-6647-01	1	Plate-Controls, Side	30	115-7073	2	Spacer
9	104-8300	18	Nut-HF, NI	31	120-4654	2	Screw-HHF
10	CSP11800	3	Nut-Thick, Tinnerman	32	104-7201	2	Nut-HF
11	701493	9	Nut-Speed	33	94-2413	1	Nut-U
12	130-4284-03	1	Plate-Tank, HYD	34	AU100862	2	Nut-U
13	105-4886	11	Nut-Tinnerman	35	94-2413	3	Nut-U
14	130-4286-03	1	Plate	36	33104-025	2	Screw-HHF
15	130-4294-01	1	Cover-Trencher	37	3234-29	9	Screw-HHF

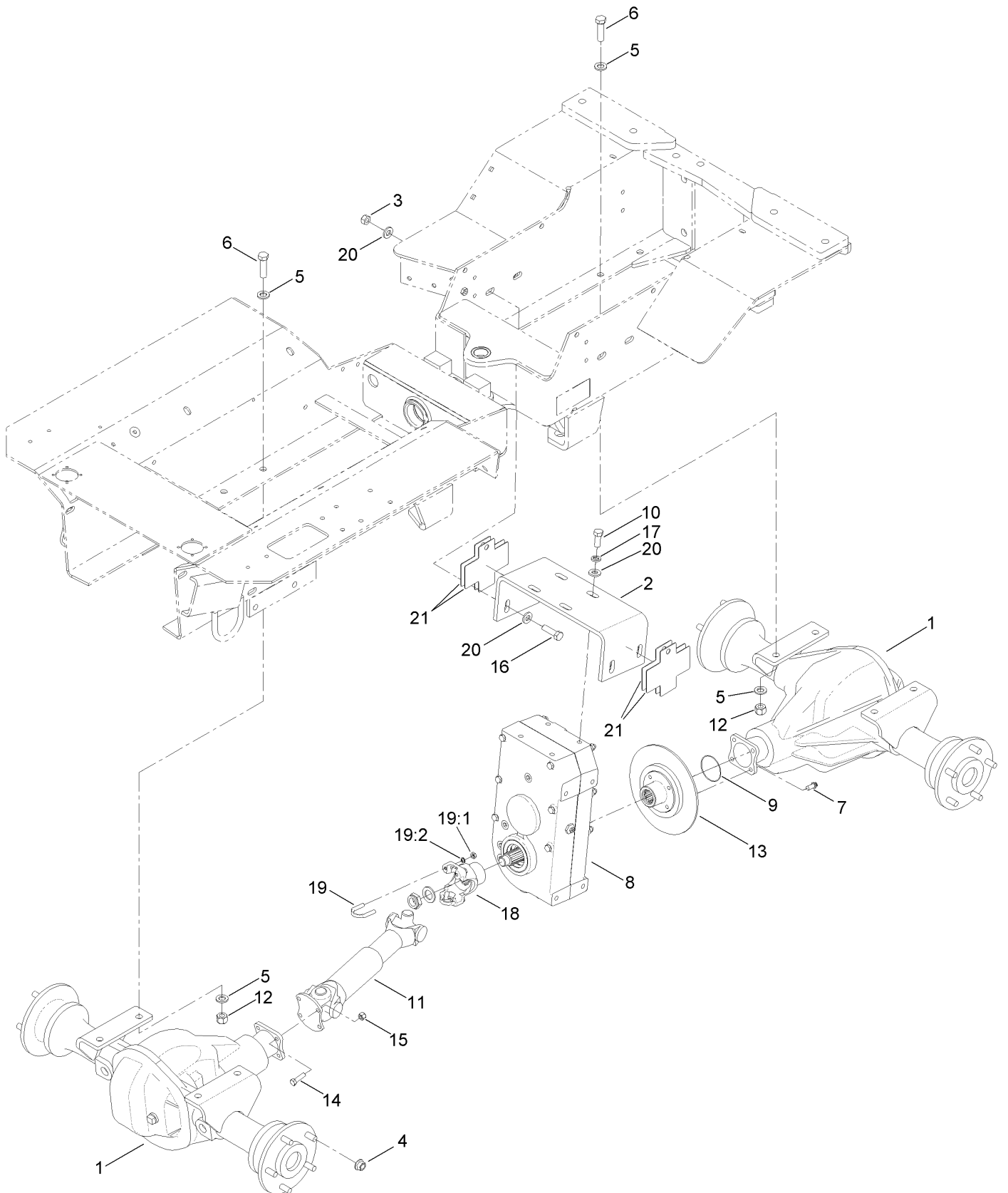
# Seat and Rear Frame Assembly



## Seat and Rear Frame Assembly (continued)

<i>Ref.</i>	<i>Part Number</i>	<i>Qty.</i>	<i>Description</i>	<i>Ref.</i>	<i>Part Number</i>	<i>Qty.</i>	<i>Description</i>
1	127-6649	1	Rear Frame ASM	8	3234-42	14	Screw-HHF
1:2	125-6672	1	Decal-Danger, Articulated Joint	10	125-6649-03	1	Plate
1:3	125-8487	1	Decal-Warning, Step Extension	11	104-8300	6	Nut-HF, NI
1:4	125-4967	2	Decal-Lift Here	12	131-2114-01	1	Plate-Seat
2	130-4281-01	1	Platform-Extension	13	98-4371	1	Cable-Seat
3	130-4292	1	Seat ASM	14	119-1415	2	Pin-Cotter, Locking
5	130-4285	1	Shield-Rubber	15	283-6	2	Pin-Clevis
6	3231-21	1	Screw-CARR	16	33104-030	4	Screw-HHF
7	3296-59	1	Nut-Lock, NI	17	3234-36	2	Screw-HHF
				18	3269-11	4	Rivet-Pop

# Drive Assembly

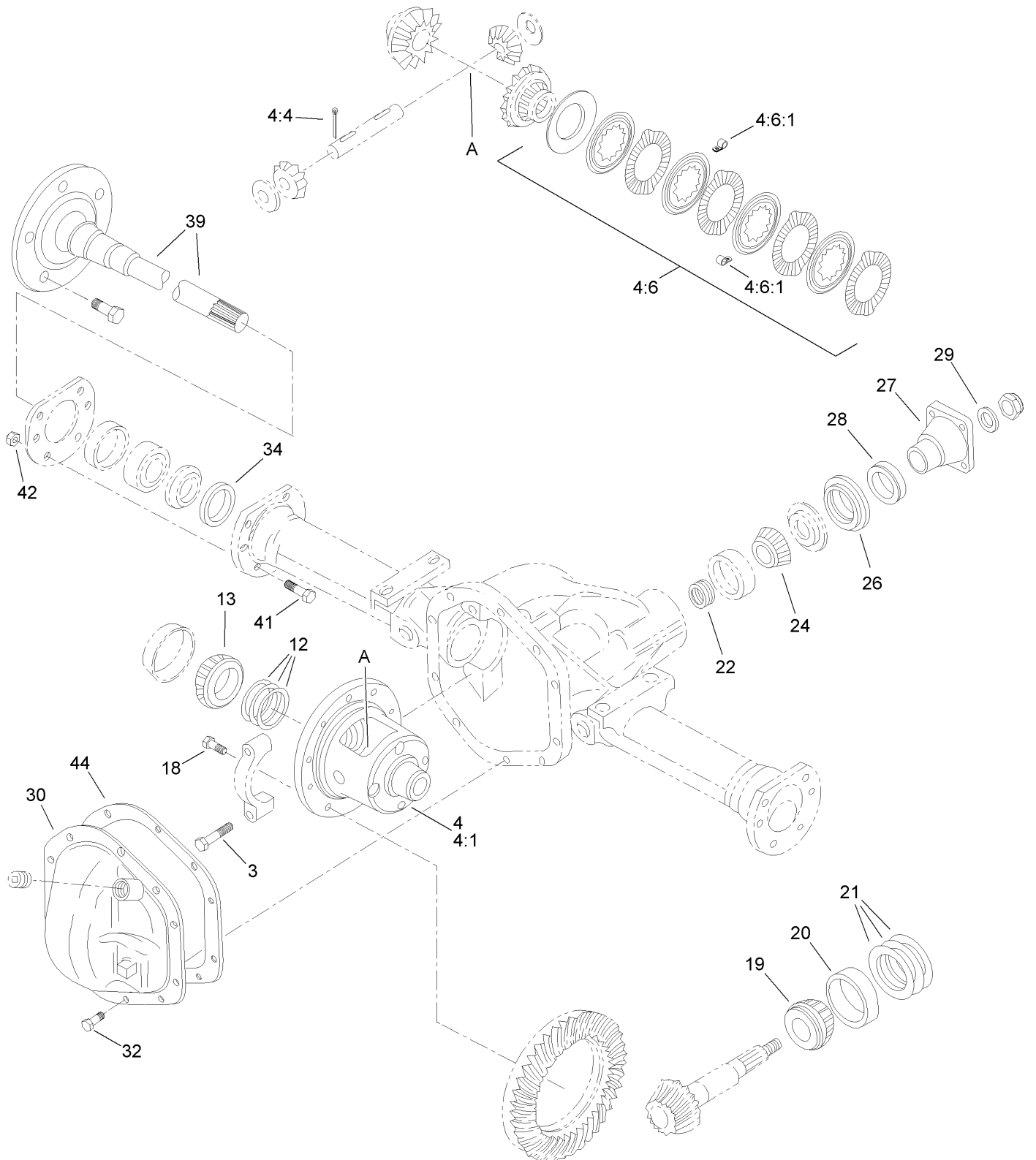




## Drive Assembly (continued)

<i>Ref.</i>	<i>Part Number</i>	<i>Qty.</i>	<i>Description</i>	<i>Ref.</i>	<i>Part Number</i>	<i>Qty.</i>	<i>Description</i>
1	AU110858A1-03	2	Axle-Drive	13	AU87403381	1	Flange-Companion
2	127-1093-03	1	Bracket-Mounting	14	3211-5	4	Screw-HH
3	97-1206	4	Locknut	15	AU232-4616	4	Nut-Hex
4	AU131-918	20	Nut	16	325-7	4	Screw-HH
5	AU896-11014	16	Washer-Flat	17	3253-7	4	Washer-Lock
6	AU426-932	8	Bolt	18	AU131687A1	1	Yoke-Transmission
7	AU79-1612	4	Screw-12 Pt Flange	19	AUH183566	1	Bolt-U (2 Per Pack)
8	AU104951	1	Transmission ASM	19:1	3219-2	2	Nut-Hex
9	AU238-5036	1	O-Ring, SAE	19:2	3253-4	2	Washer-Lock
10	325-5	4	Screw-HH	20	AUH274894	12	Washer
11	AU111086A1	1	Drive Shaft ASM	21	127-1094-03	7	Shim-Bracket
12	AU232-4119	8	Nut-Hex				

# Drive Axle Assembly No. AU110858A1-03

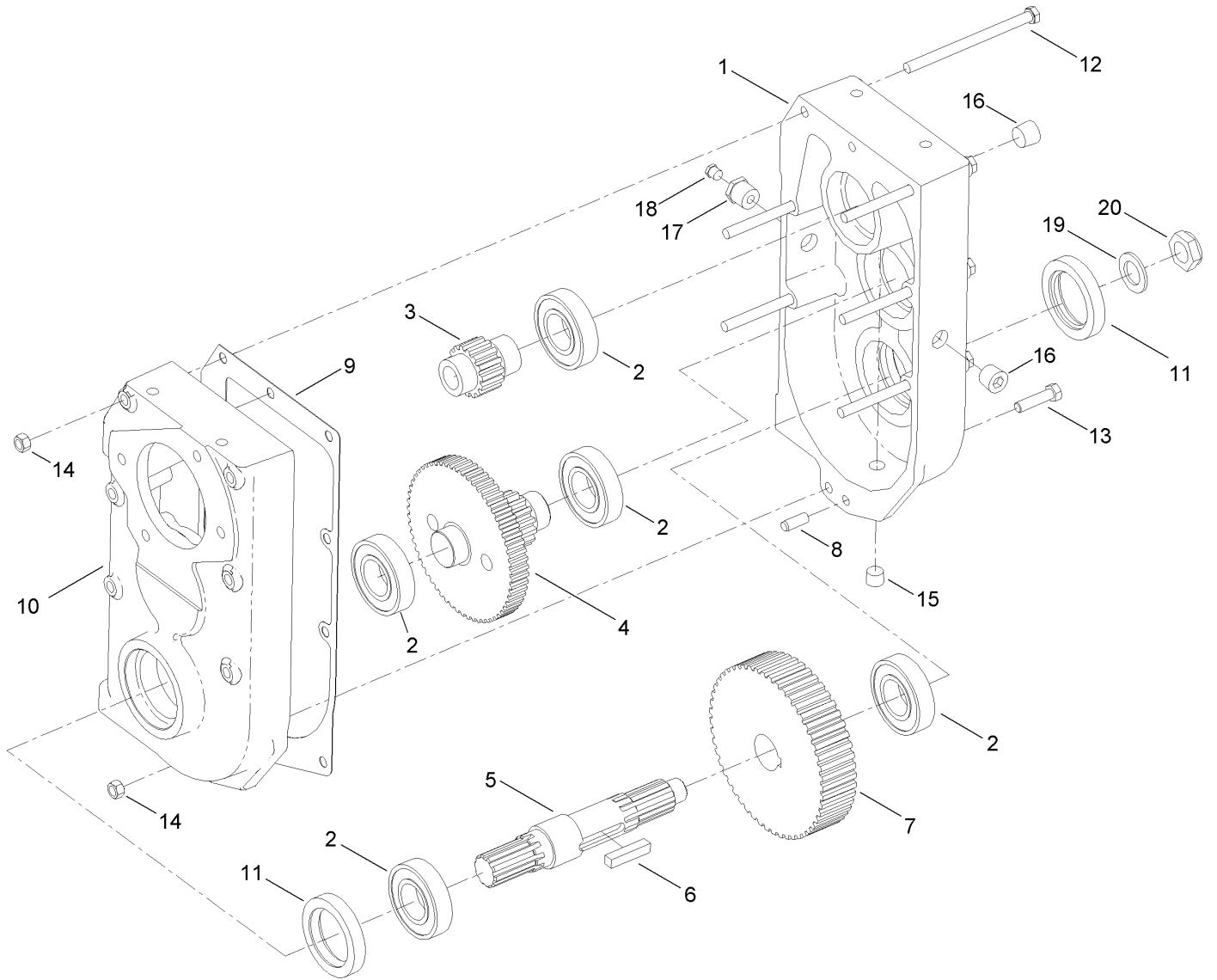


# Drive Axle Assembly No. AU110858A1-03 (continued)

<i>Ref.</i>	<i>Part Number</i>	<i>Qty.</i>	<i>Description</i>	<i>Ref.</i>	<i>Part Number</i>	<i>Qty.</i>	<i>Description</i>
3	AU413-836	4	Bolt	21	AUH198176	1	Shim
4	AU100862A1	1	Case ASM	22	AUH198044	1	Shim
4:1	AU100863A1	1	Case	22	AUH198010	1	Shim
4:4	AU38-11624	1	Pin-Spring, Slotted	22	AUH198036	1	Shim
4:5	AUH226746	2	Washer ●	22	AUH198028	1	Shim
4:6	AUH572370	1	Differential Disc Kit (Matched Set)	24	AU128239R91	1	Bearing-Taper
4:6:1	AUH226753	4	Clip	26	AUN8427	1	Seal
12	AUH198283	1	Shim	27	AUH197582	1	End-Yoke
12	AUH198275	1	Shim	28	AUH196998	1	Slinger
12	AUH198267	1	Shim	29	AUH197574	1	Washer
12	AUH198259	1	Shim	30	AUN8428	1	Cover
13	AU300426R91	2	Bearing-Taper	32	AUH226555	10	Bolt
18	AU117383A1	10	Bolt	34	AUH198093	2	Seal
19	AU128241R91	1	Bearing-Taper	39	AU252266A1	2	Shaft
20	AU128242R1	1	Cup-Bearing	41	AUH263103	8	Bolt
21	AUH198150	1	Shim	42	AU232-4616	8	Nut-Hex
21	AUH198168	1	Shim	43	AUH384453	1	Baffle-Oil ●
				44	AUM20704	1	Maker-Gasket

● Not illustrated

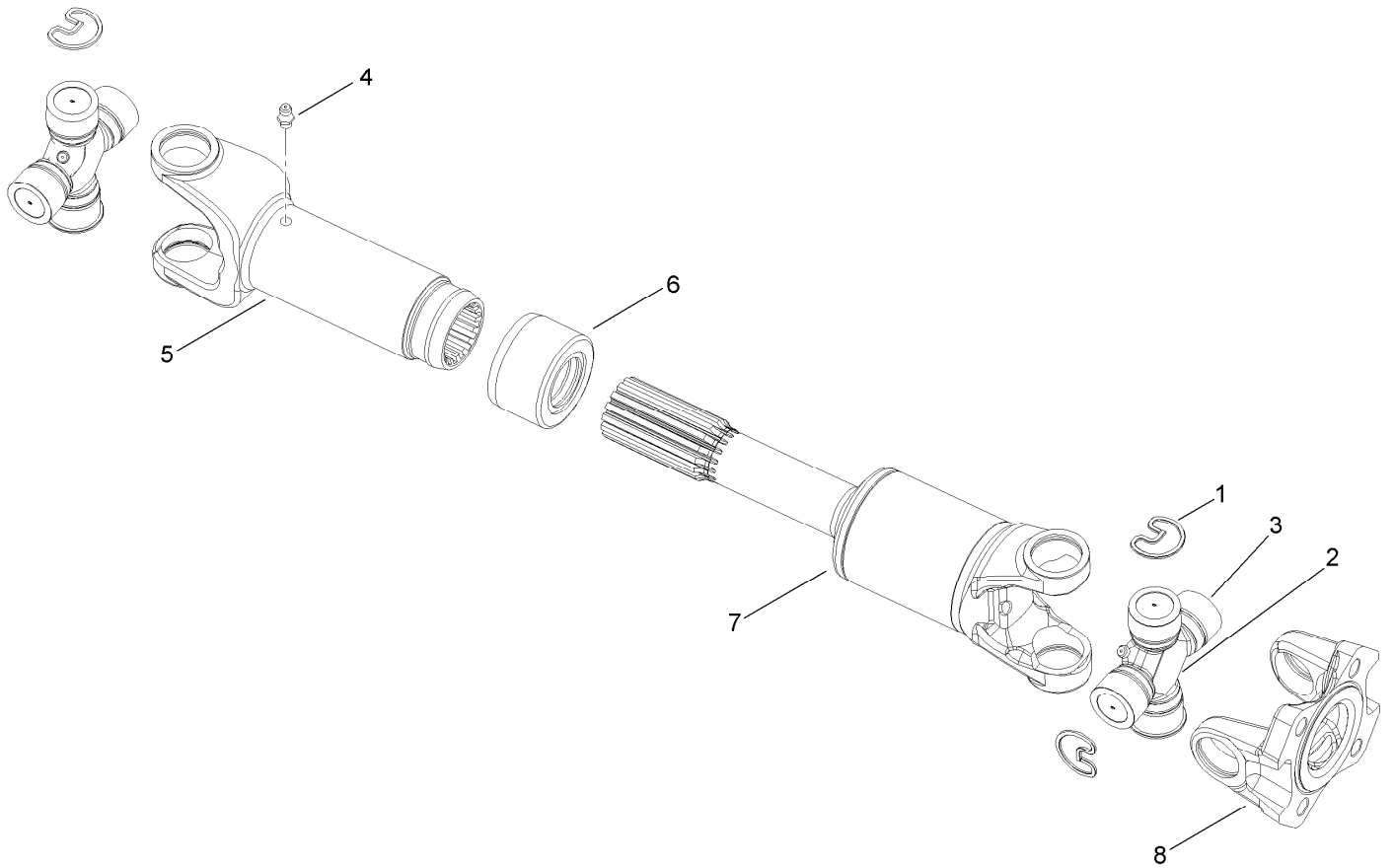
# Transmission Assembly No. AU104951



## Transmission Assembly No. AU104951 (continued)

<i>Ref.</i>	<i>Part Number</i>	<i>Qty.</i>	<i>Description</i>	<i>Ref.</i>	<i>Part Number</i>	<i>Qty.</i>	<i>Description</i>
1	AU104545	1	Case-Gear	11	AUH754226	2	Seal-Oil
2	AUA26581	5	Bearing	12	AU426-688	6	Screw-HH
3	AUH253112	1	Gear-Motor, 18 Teeth	13	323-43	1	Screw-HH
4	AUH253153	1	Gear-Cluster, 59/15 Teeth	14	603773	7	Locknut
5	AUH253138	1	Shaft-Output	15	97-2206	1	Fitting-HYD
6	AUH70045	1	Key-Square	16	AU217-439	5	Plug-Pipe, Hex Socket
7	AUH253146	1	Gear-Reduction, 51 Teeth	17	AU221-87	1	Fitting-Straight
8	AUH755272	2	Pin-Dowel	18	AUR11152	1	Vent
9	AUH413153	1	Gasket	19	AUH224501	1	Washer
10	AU104546	1	Case-Gear	20	3296-60	1	Nut-Lock, NI

# Drive Shaft Assembly No. AU111086A1

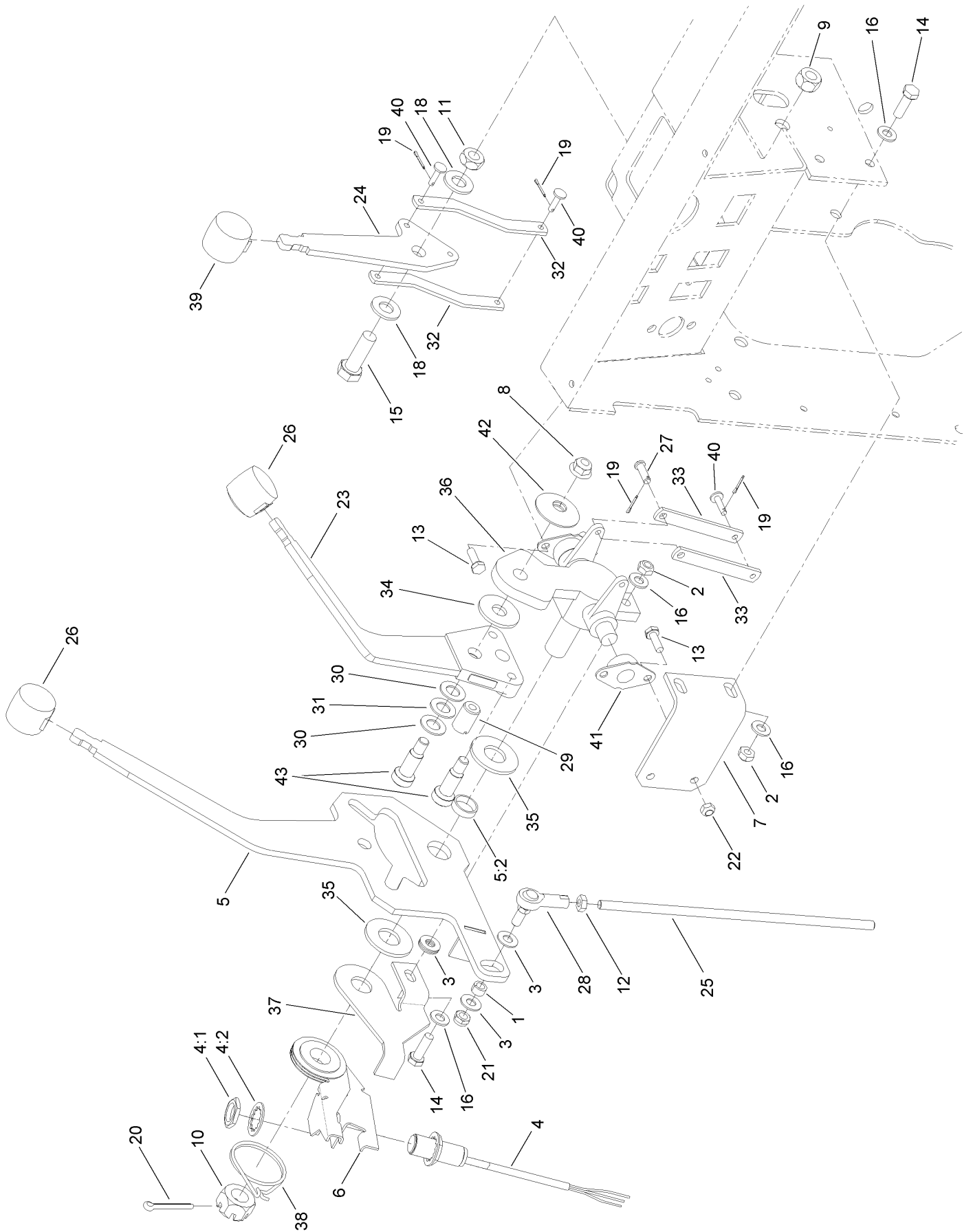


# Drive Shaft Assembly No. AU111086A1 (continued)

<i>Ref.</i>	<i>Part Number</i>	<i>Qty.</i>	<i>Description</i>	<i>Ref.</i>	<i>Part Number</i>	<i>Qty.</i>	<i>Description</i>
1	AU11256	6	Ring-Retaining	5	AU102834A1	1	Yoke
2		2	Journal ●	6	AU230556A1	1	Seal
3		8	Cup-Bearing ●	7		1	Shaft ●
4	AU219-10	1	Fitting-Lube	8	AUH251777	1	Flange

● Not serviced separately

# Ground Drive Control Assembly

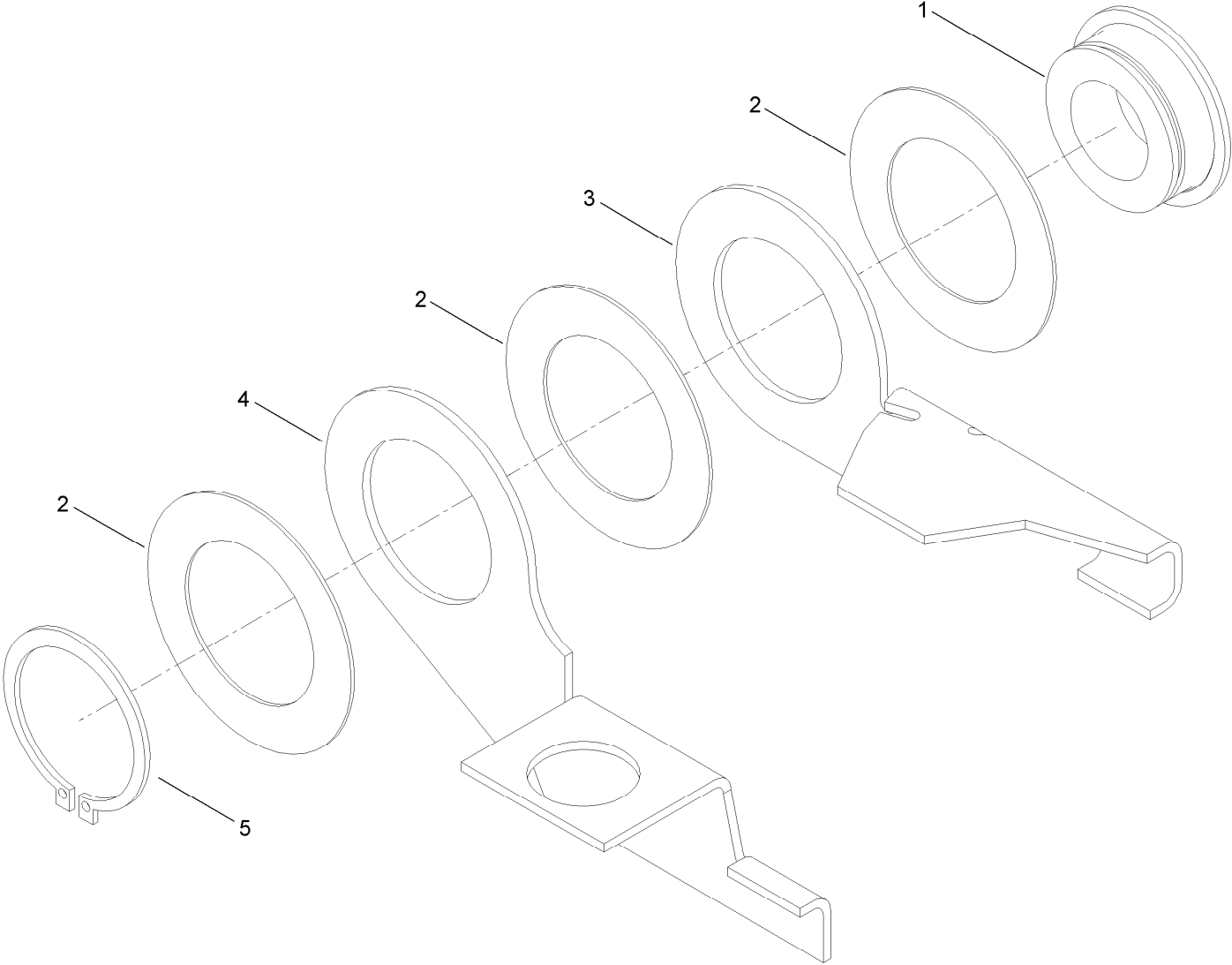




## Ground Drive Control Assembly (continued)

<i>Ref.</i>	<i>Part Number</i>	<i>Qty.</i>	<i>Description</i>	<i>Ref.</i>	<i>Part Number</i>	<i>Qty.</i>	<i>Description</i>
1	1-603500	1	Spacer	22	146375	4	Nut-Lock, Cone
2	97-1203	3	Nut-Hex	23	AU105258-03	1	Handle-Creep
3	107-0279	5	Washer	24	AU105259-03	1	Handle-Plow
4	115-5300	1	Proximity Switch ASM	25	131-2134	1	Rod Control
4:1	117-3207	2	Nut-Hex	26	AUA177435	2	Knob
4:2	117-3208	2	Washer-Lock, Internal Tooth	27	9321204	1	Pin-Clevis
5	125-6643	1	Handle ASM	28	AUH289652	1	Joint-Ball (Female)
5:2	AUH433184	1	Bearing-Handle	29	AUH404731	1	Ball-Plunger
6	130-7376	1	Mounting ASM	30	AUH405035	2	Race-Thrust
7	125-8539-03	1	Angle-Mounting	31	AUH405043	1	Bearing-Thrust (Needle)
8	32128-19	1	Nut-HF	32	AUH423046-03	2	Link-Valve, Control
9	AU230-4218	1	Nut-Hex	33	AUH423053-03	2	Link-Valve, Steering
10	AU425-1212	1	Nut-Slotted, Hex	34	AUH429894	1	Washer-Friction
11	AU425-148	1	Nut-Jam	35	AUH433170	2	Washer-Spacer
12	3220-2	1	Nut-Jam	36	AUH435855	1	Pivot-Control, Steering
13	AU426-412	4	Bolt	37	AUH436230-03	1	Plate-Centering
14	AU426-516	3	Screw-HH	38	AUH436231	1	Spring-Centering
15	AU426-824	1	Screw-HH	39	AUH438223	1	Knob-Green
16	3256-23	6	Washer-Plain	40	AUH44529	3	Pin-Clevis
18	3256-26	2	Washer-Flat	41	AUH755785	2	Bearing
19	3272-1	4	Pin-Cotter	42	AUR14771	1	Washer-Belleville
20	3272-23	1	Pin-Cotter	43	1-603403	3	Bolt-Shoulder
21	3296-20	1	Nut-Lock, NI				

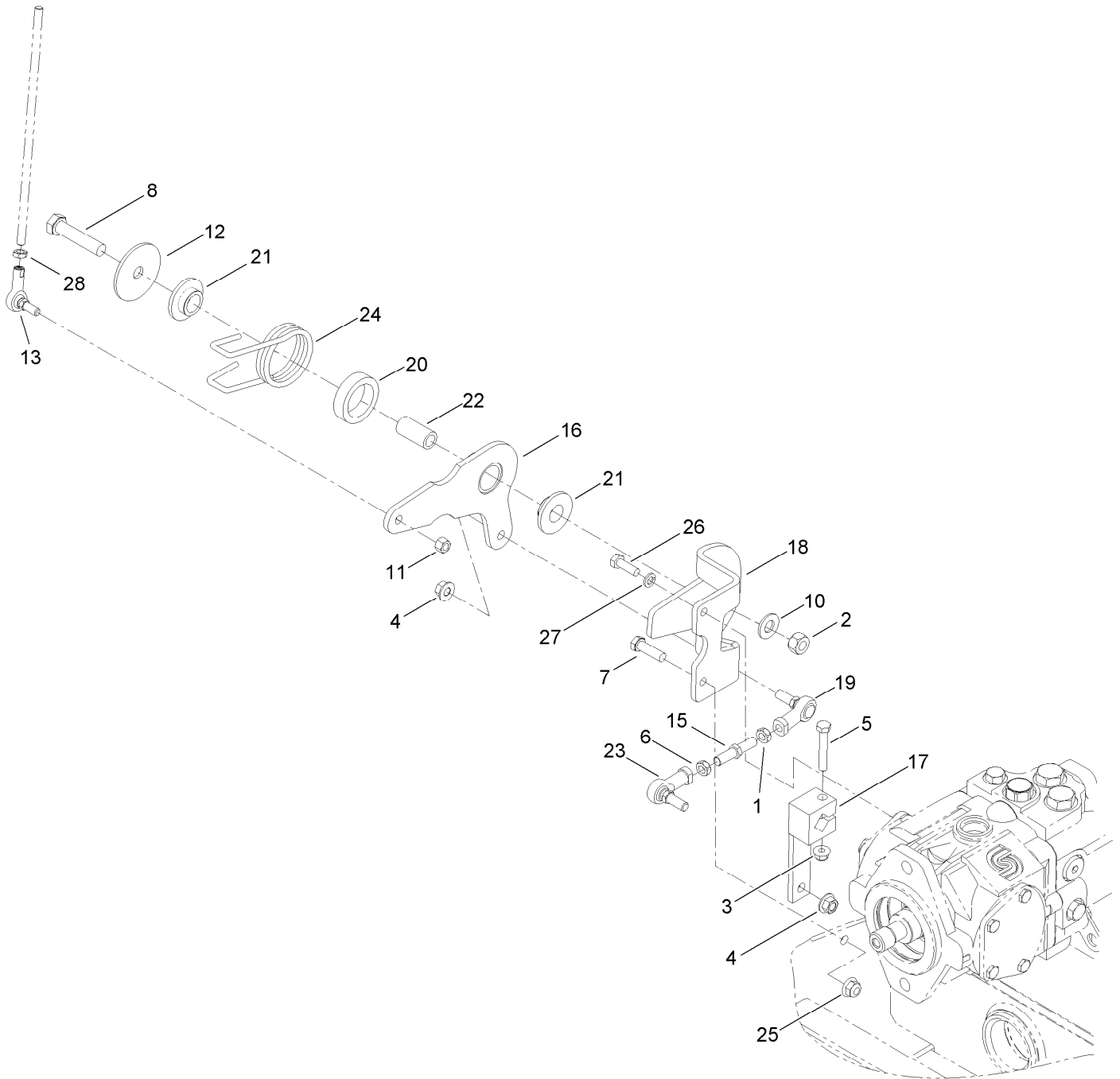
# Neutral Switch Mounting Assembly No. 130-7376



# Neutral Switch Mounting Assembly No. 130-7376 (continued)

<i>Ref.</i>	<i>Part Number</i>	<i>Qty.</i>	<i>Description</i>	<i>Ref.</i>	<i>Part Number</i>	<i>Qty.</i>	<i>Description</i>
1	AU131050A1	1	Hub	4	125-6645	1	Plate-Mounting, Switch
2	AUH257915	3	Shim	5	AU103-11125	1	Ring-Retaining
3	125-6644	1	Plate-Mounting, Switch				

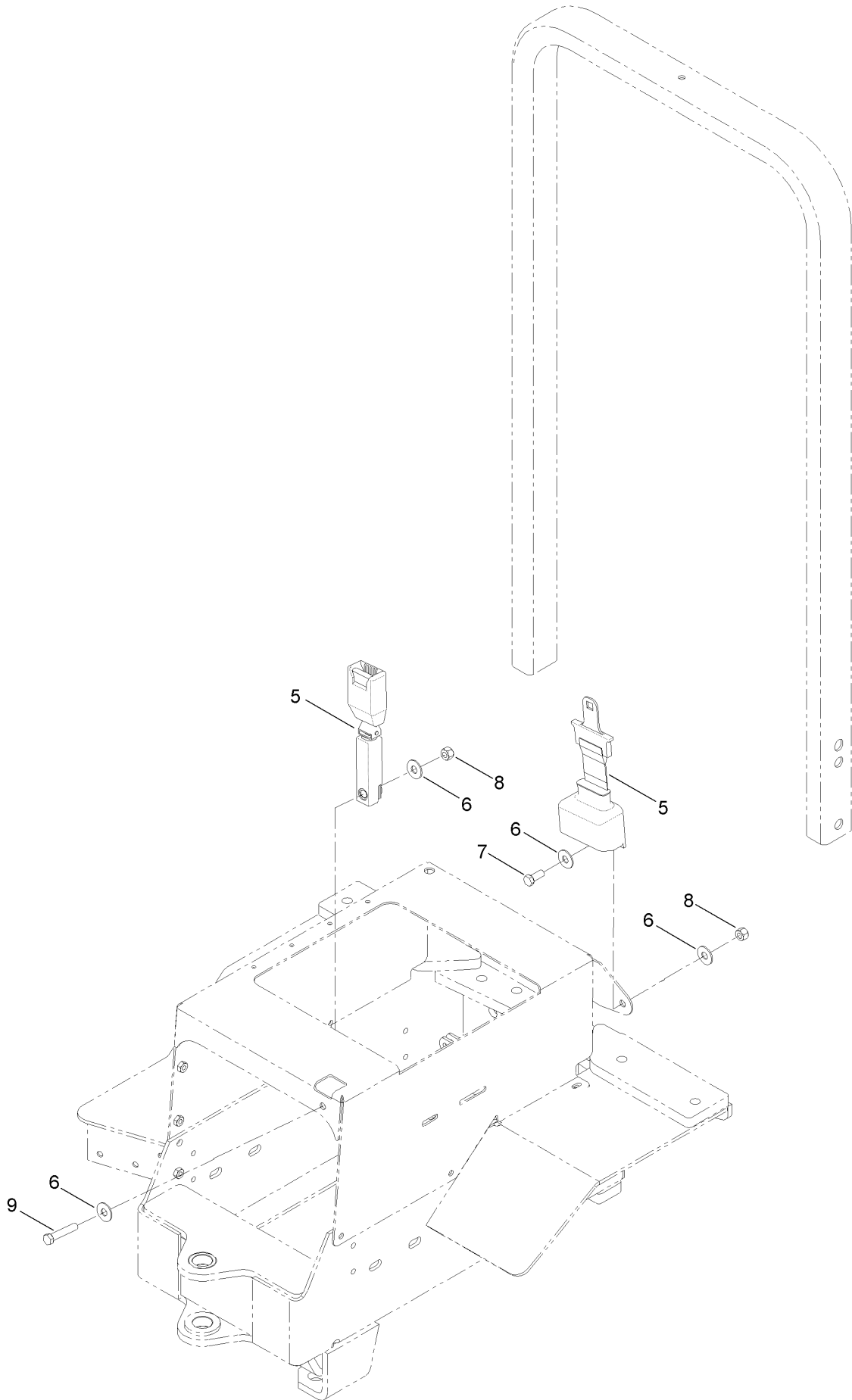
# Ground Drive Spring Assembly



## Ground Drive Spring Assembly (continued)

<i>Ref.</i>	<i>Part Number</i>	<i>Qty.</i>	<i>Description</i>	<i>Ref.</i>	<i>Part Number</i>	<i>Qty.</i>	<i>Description</i>
1	AU129-289	1	Nut-Jam, LH	16	131-2132-03	1	Plate-Linkage
2	AU230-4218	1	Nut-Hex	17	131-2119-03	1	Lever-Control, Pump
3	104-8300	1	Nut-HF, NI	18	131-2130-03	1	Plate-Pump
4	127-6852	2	Nut-Flange, Lock	19	AU139830A1	1	Joint-Ball, Stud (Rod End)
5	322-10	1	Screw-HH	20	AU175086A1	1	Spacer-Collar
6	AU425-156	1	Nut-Jam, Hex	21	AUD128616	2	Bushing-Insert, Plastic
7	AU426-620	2	Bolt	22	AUH435694	1	Spacer
8	AU426-840	1	Screw-HH	23	AUR47940	1	Joint-Ball
10	3256-26	1	Washer-Flat	24	AUH436303	1	Spring
11	32152-5	1	Nut-Hex	25	104-8301	2	Nut-HF, NI
12	AU131967A1	1	Washer-Flat (Special)	26	AU100873	2	Screw-HH
13	AU103404	1	Joint-Ball, LH (Female)	27	3253-4	2	Washer-Lock
15	AU107344	1	Screw-Jack, Control	28	3220-20	1	Nut-Jam

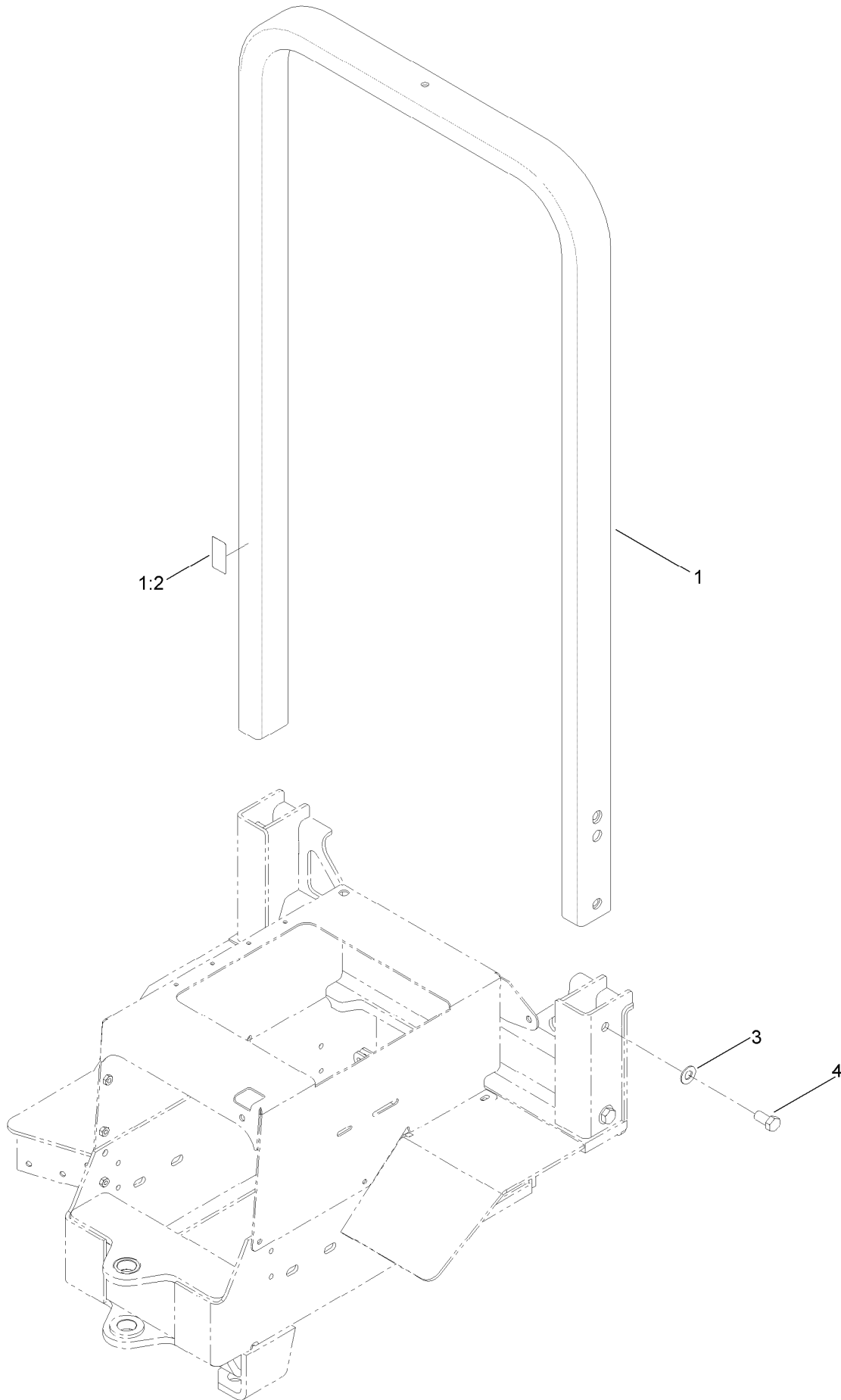
# Seat Belt Assembly



## Seat Belt Assembly (continued)

<i>Ref.</i>	<i>Part Number</i>	<i>Qty.</i>	<i>Description</i>	<i>Ref.</i>	<i>Part Number</i>	<i>Qty.</i>	<i>Description</i>
5	AU249116A1	1	Seat Belt ASM	8	AU232-4617	2	Nut-Hex
6	3256-5	4	Washer-Flat	9	AU428-736	1	Screw-HH
7	AU428-716	1	Screw-HH				

# Roll-Over Protection System Assembly

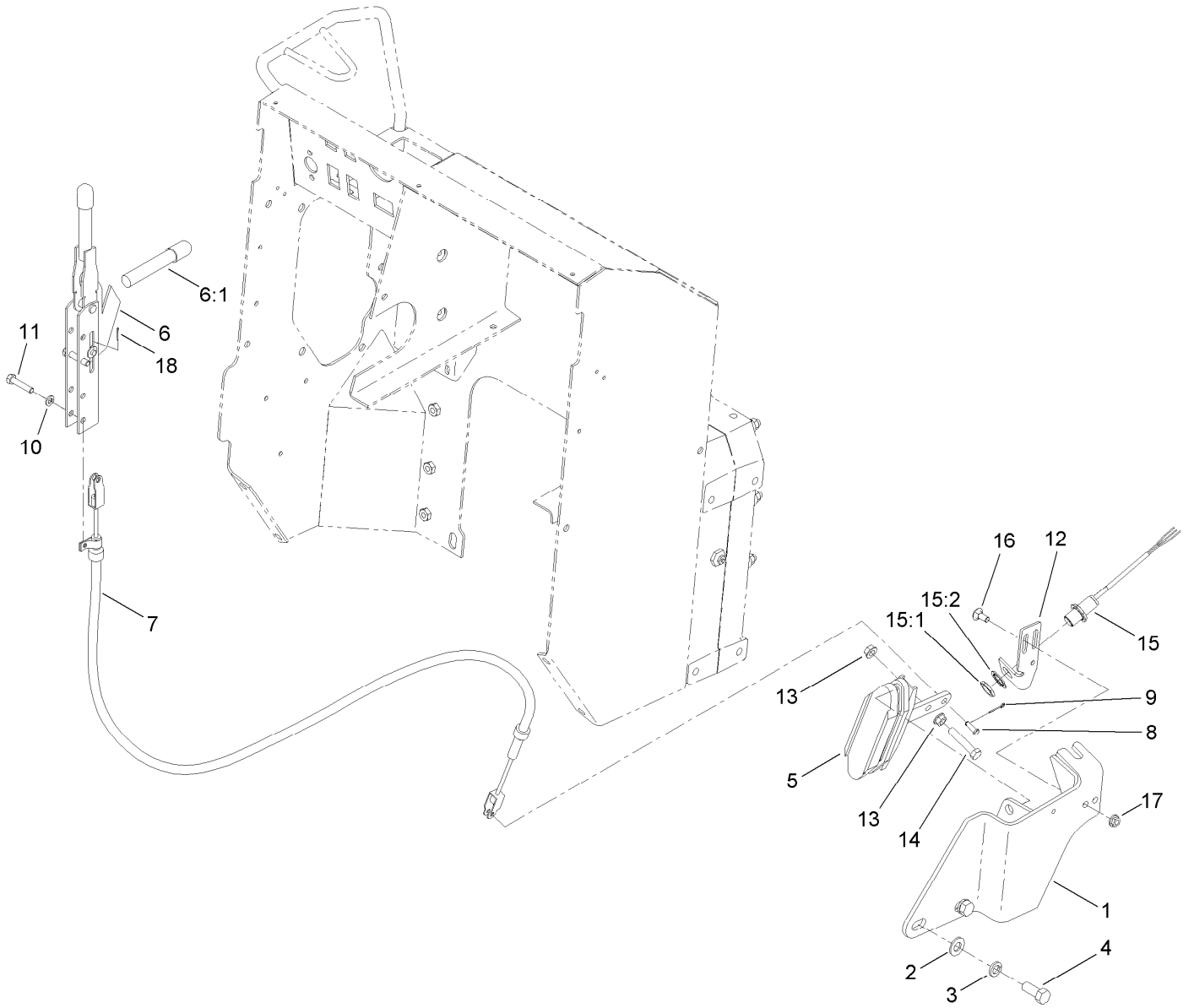




# Roll-Over Protection System Assembly (continued)

<i>Ref.</i>	<i>Part Number</i>	<i>Qty.</i>	<i>Description</i>	<i>Ref.</i>	<i>Part Number</i>	<i>Qty.</i>	<i>Description</i>
1	130-4268	1	ROPS ASM	3	3256-27	4	Washer-Flat
1:2	130-4338	1	Decal-ROPS	4	327-3	4	Screw-HH

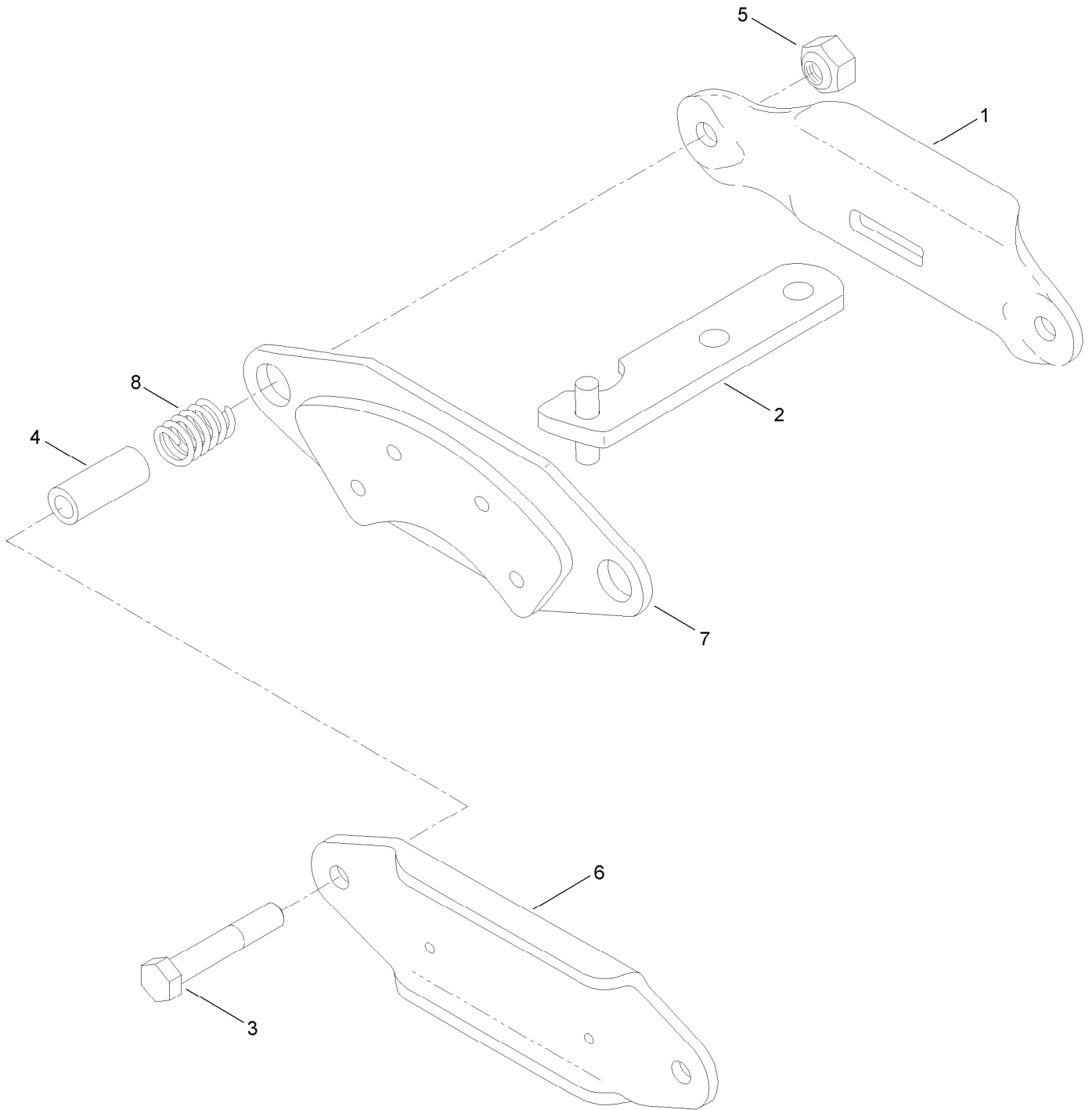
# Brake Assembly



## Brake Assembly (continued)

<i>Ref.</i>	<i>Part Number</i>	<i>Qty.</i>	<i>Description</i>	<i>Ref.</i>	<i>Part Number</i>	<i>Qty.</i>	<i>Description</i>
1	125-8534-03	1	Bracket-Brake	11	5-1470	2	Screw-HH
2	3256-26	2	Washer-Flat	12	125-8536-03	1	Bracket-Sensor
3	3253-7	2	Washer-Lock	13	3290-357	2	Nut-HHF, Whiz
4	325-5	2	Screw-HH	14	323-32	1	Screw-HH
5	AUH673926	1	Caliper ASM	15	115-0282	1	Proximity Sensor ASM
6	AUH506881	1	Lever-Brake	15:1	117-3207	2	Nut-Hex
6:1	AUH53942	1	Spacer	15:2	117-3208	2	Washer-Lock, Internal Tooth
7	AU119124A2	1	Cable-Brake	16	3230-1	2	Bolt-CARR
8	9321204	1	Pin-Clevis	17	32128-20	2	Nut-HF
9	3272-2	1	Pin-Cotter	18	3272-1	1	Pin-Cotter
10	3253-4	2	Washer-Lock				

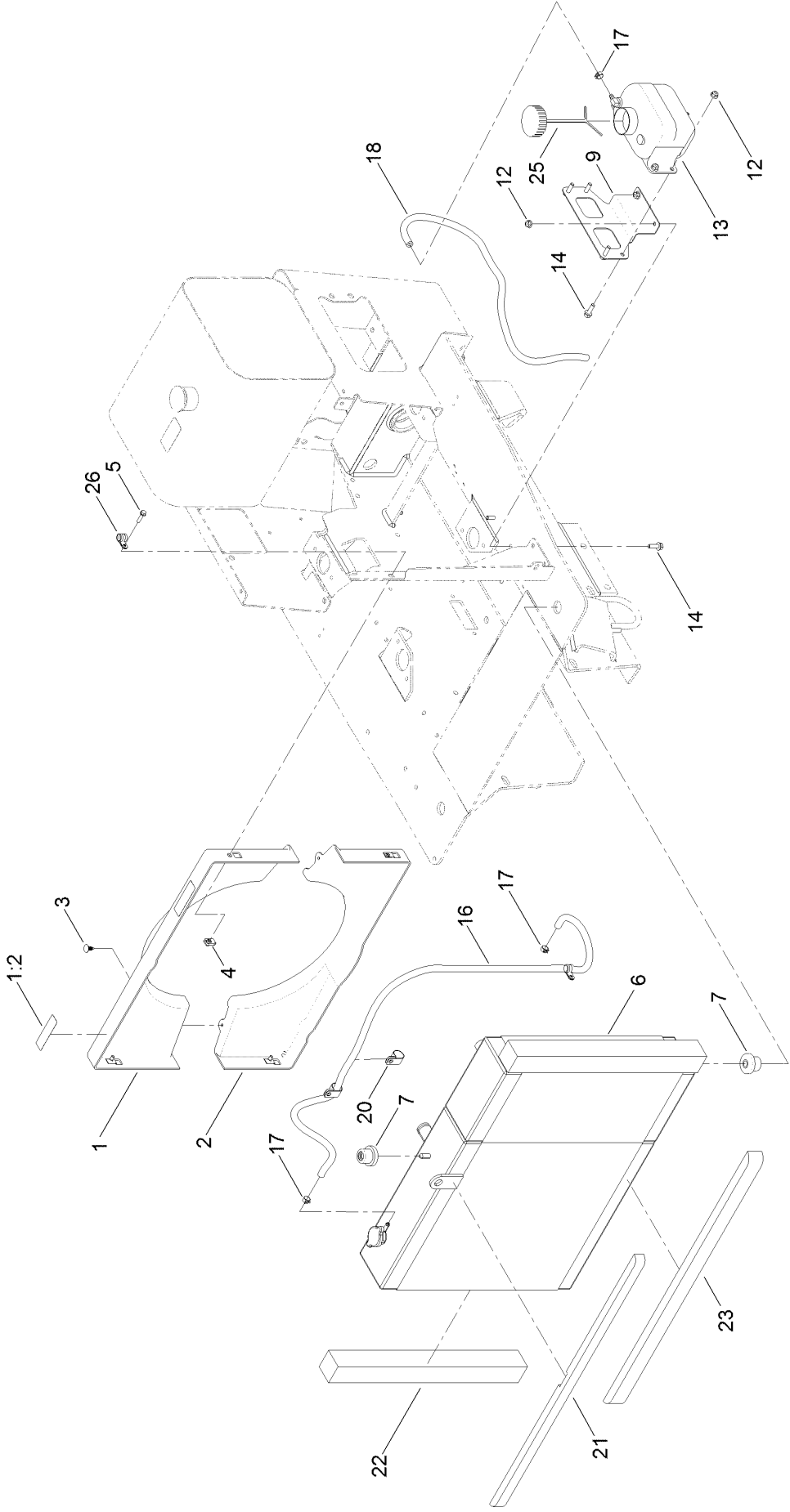
# Brake Caliper Assembly No. AUH673926



# Brake Caliper Assembly No. AUH673926 (continued)

<i>Ref.</i>	<i>Part Number</i>	<i>Qty.</i>	<i>Description</i>	<i>Ref.</i>	<i>Part Number</i>	<i>Qty.</i>	<i>Description</i>
1	AUH437100	1	Bracket	6	AUH437104	1	Outside Holder And Pad ASM
2	AUH437101	1	Lever	7	AUH437102	1	Inside Holder And Pad ASM
3	AU414-536	2	Screw-Cap	8	AUH437103	2	Spring
4	AU119417	2	Spacer-Tube				
5	AU230-4715	2	Nut				

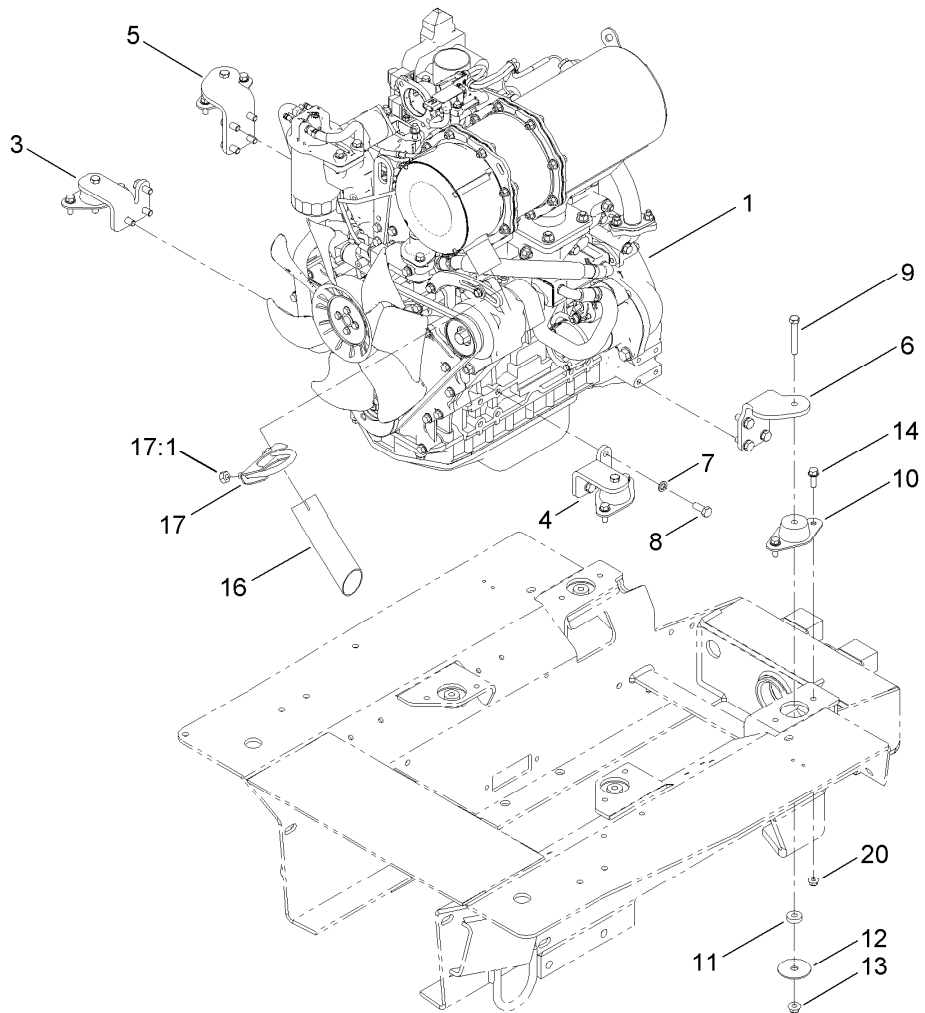
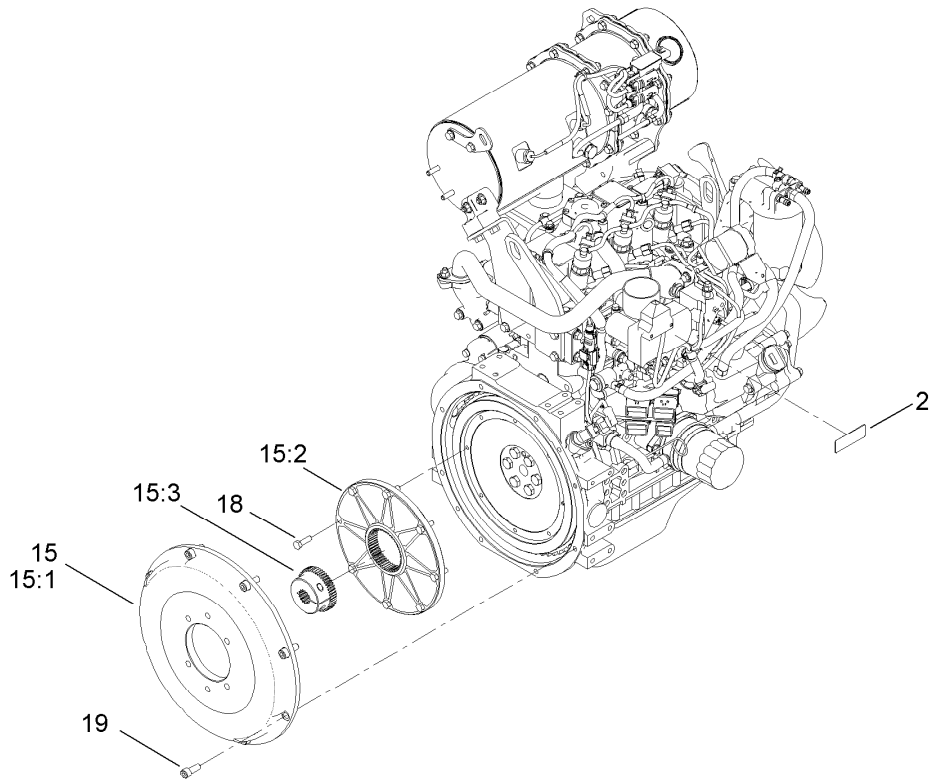
# Shroud Assembly



## Shroud Assembly (continued)

<i>Ref.</i>	<i>Part Number</i>	<i>Qty.</i>	<i>Description</i>	<i>Ref.</i>	<i>Part Number</i>	<i>Qty.</i>	<i>Description</i>
1	130-7447	1	Fan Shroud ASM	14	3234-29	6	Screw-HHF
1:2	120-0627	2	Decal-Warning	16	110-3259	1	Hose-Fuel
2	121-3311	1	Shroud-Bottom	17	92-2379	3	Clamp-Hose
3	117-2382	2	Plug-Plastic	18	110-6186	1	Hose-Fuel
4	107069	4	Clip	20	2412-41	2	Clamp-R
5	120-4654	4	Screw-HHF	21	130-4334	1	Seal-Foam
6	127-6581	1	Cooling ASM	22	130-4335	2	Seal-Foam
7	119-1422	3	Mount-Isolator	23	130-4336	1	Seal-Foam
9	127-6608-03	1	Bracket-Tank	25	87-7050	1	Cap-Reservoir
12	104-8300	6	Nut-HF, NI	26	2412-134	2	Clamp-R
13	AU138189A1	1	Tank-Recovery, Coolant				

# Engine Assembly

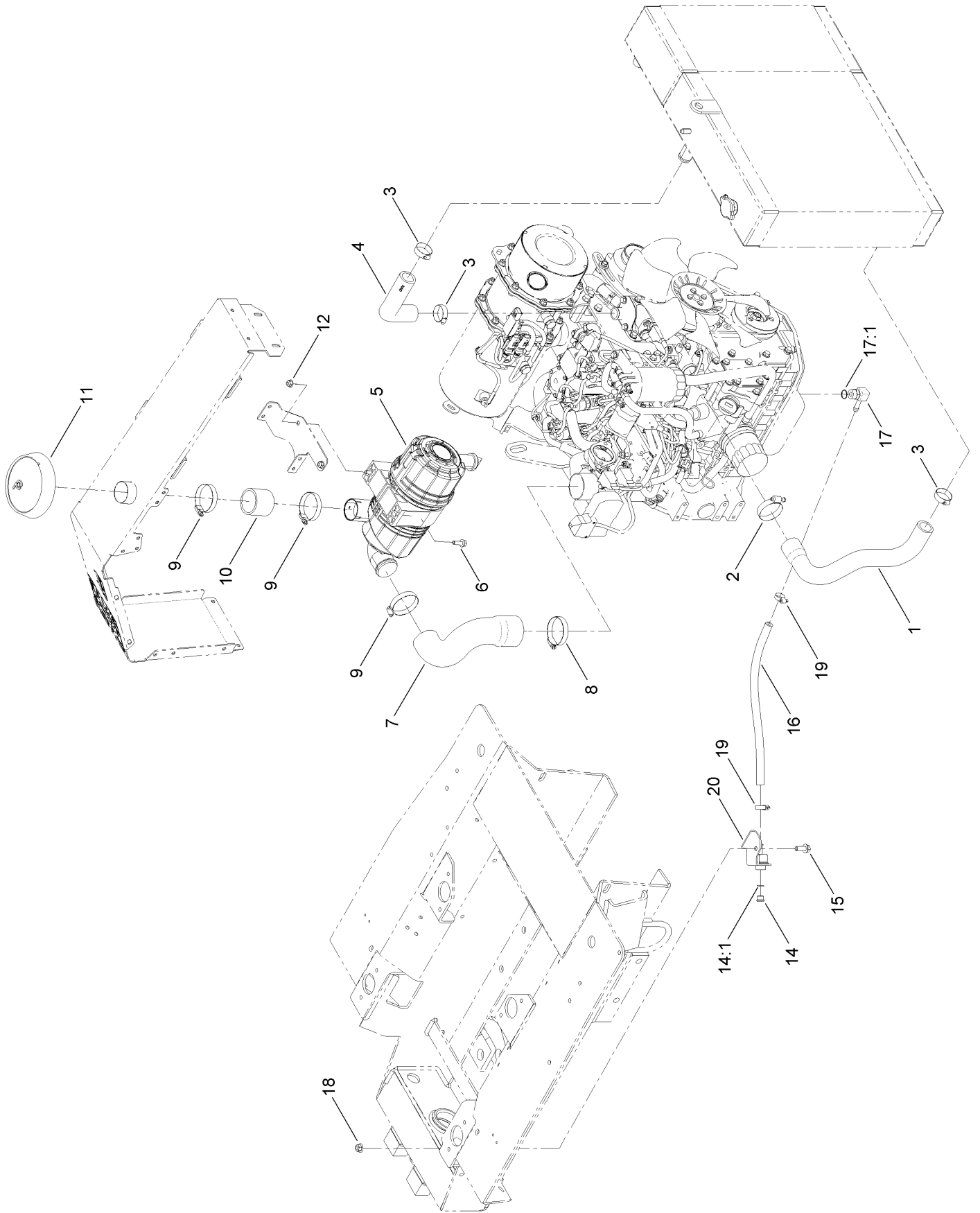




## Engine Assembly (continued)

<i>Ref.</i>	<i>Part Number</i>	<i>Qty.</i>	<i>Description</i>	<i>Ref.</i>	<i>Part Number</i>	<i>Qty.</i>	<i>Description</i>
1	138-6924	1	Engine-Yanmar	13	104-8301	4	Nut-HF, NI
2	125-6688	1	Decal-Danger, Starter Fluid	14	3234-29	8	Screw-HHF
3	120-3780-03	1	Mount-Engine, Left Rear	15	127-6632	1	Drive Coupler Kit
4	120-3779-03	1	Mount-Engine, Right Rear	15:1	127-6605	1	Plate-Mounting, Pump
5	127-6583-03	1	Mount-Engine, Right Rear	15:2	127-6607	1	Flange-Flywheel
6	127-6584-03	1	Mount-Engine, Left Rear	15:3	127-6606	1	Hub
7	48-9590	14	Washer-Lock	16	130-4288	1	Tube-Exhaust
8	33115-025	14	Screw-HH	17	2112-6	1	Clamp-Muffler
9	323-12	4	Screw-HH	17:1	3218-2	2	Nut-Jam
10	120-6274	4	Mount-Engine	18	33114-025	8	Screw-HH
11	62-6660	4	Spacer	19	3273-41	8	Screw-HSH
12	87-5100	4	Washer-Snubbing	20	104-8300	8	Nut-HF, NI

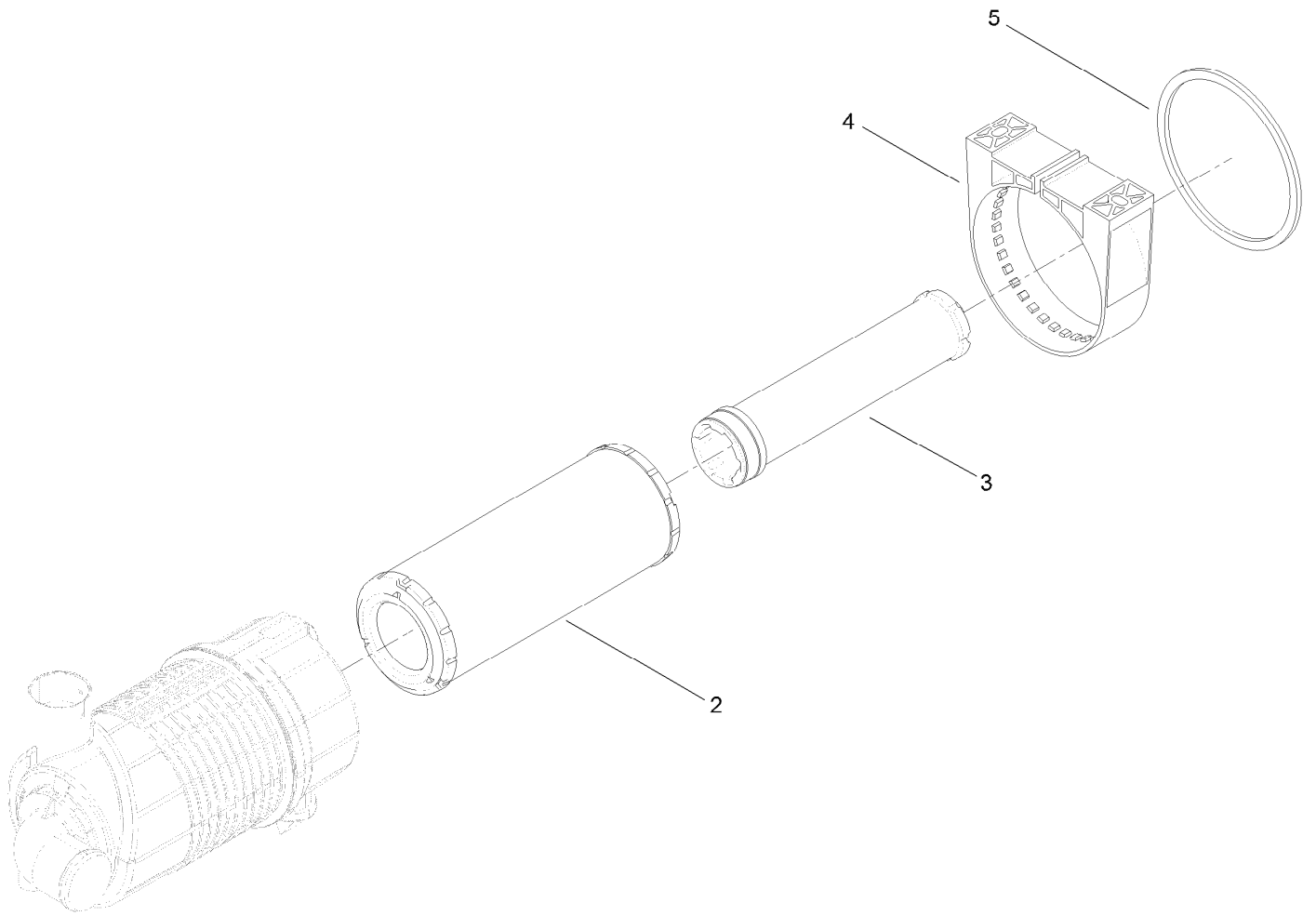
# Air Cleaner and Radiator Hose Assembly



## Air Cleaner and Radiator Hose Assembly (continued)

<i>Ref.</i>	<i>Part Number</i>	<i>Qty.</i>	<i>Description</i>	<i>Ref.</i>	<i>Part Number</i>	<i>Qty.</i>	<i>Description</i>
1	121-3322	1	Hose-Radiator, Lower	12	104-8300	2	Nut-HF, NI
2	2412-92	1	Clamp-Hose	14	353-989	1	Plug-Hex, Hollow
3	2412-34	3	Clamp-Hose	14:1	237-42	1	O-Ring
4	121-3321	1	Hose-Radiator, Upper	15	3234-42	1	Screw-HHF
5	127-6617	1	Air Cleaner ASM	16	121-7488	1	Hose-HYD
6	3234-29	2	Screw-HHF	17	112-2404	1	Fitting-Barbed-90
7	127-6609	1	Hose-Air	17:1	112-2525	1	Washer-Seal, Bonded
8	2412-42	1	Clamp-Hose	18	119-4042	1	Nut-HF, NI
9	2412-130	3	Clamp-Hose	19	2412-36	2	Clamp-Hose
10	130-4329	1	Hose-Air Inlet	20	131-2101	1	Oil Plug ASM
11	AU104635	1	Hood-Rain				

# Air Filter Assembly No. 127-6617

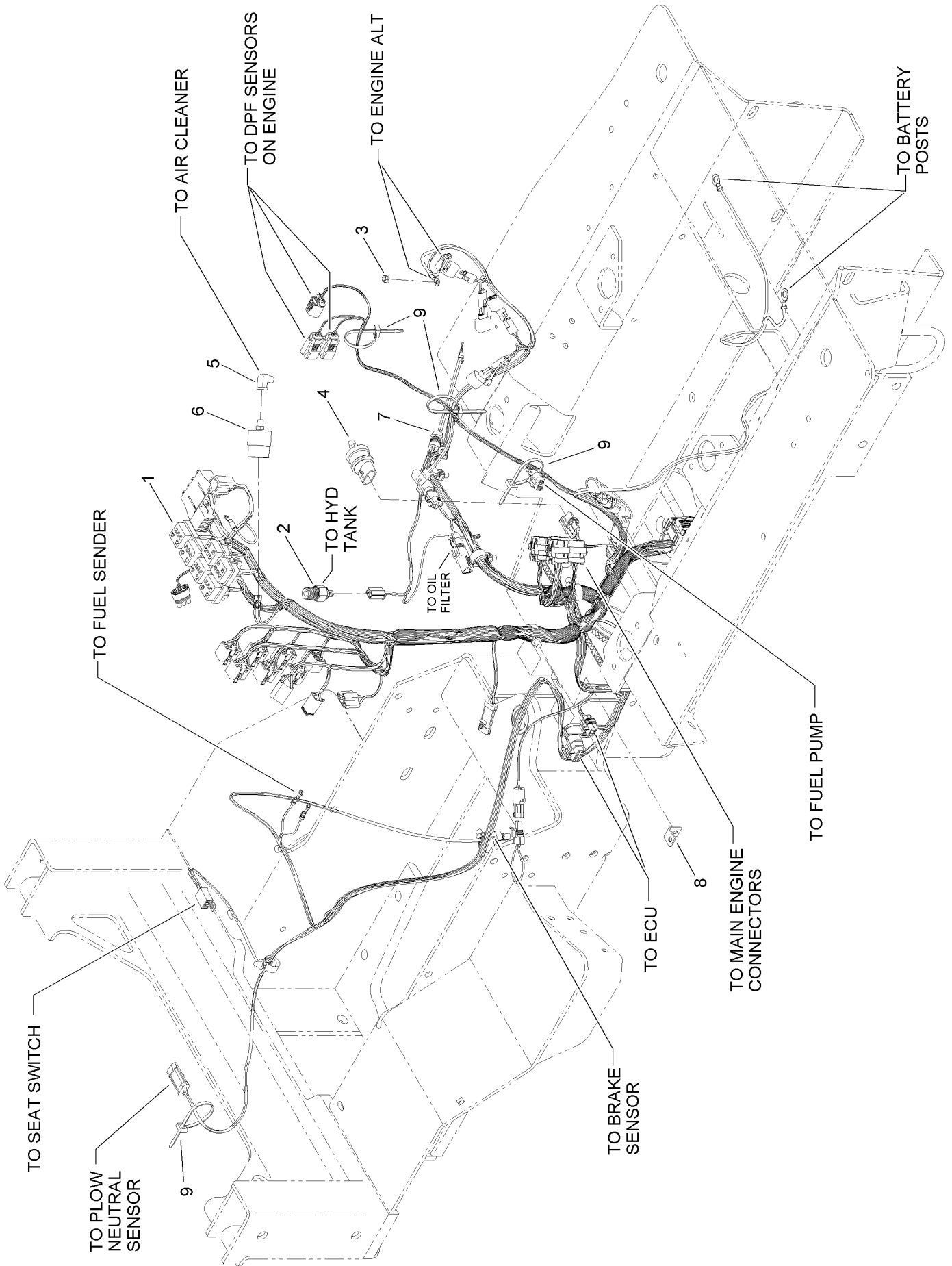


## Air Filter Assembly No. 127-6617 (continued)

<i>Ref.</i>	<i>Part Number</i>	<i>Qty.</i>	<i>Description</i>
2	108-3810	1	Filter-Air
3	114-4057	1	Element-Safety

<i>Ref.</i>	<i>Part Number</i>	<i>Qty.</i>	<i>Description</i>
4	98-4525	1	Bracket-Cleaner, Air
5	104-4897	1	Gasket

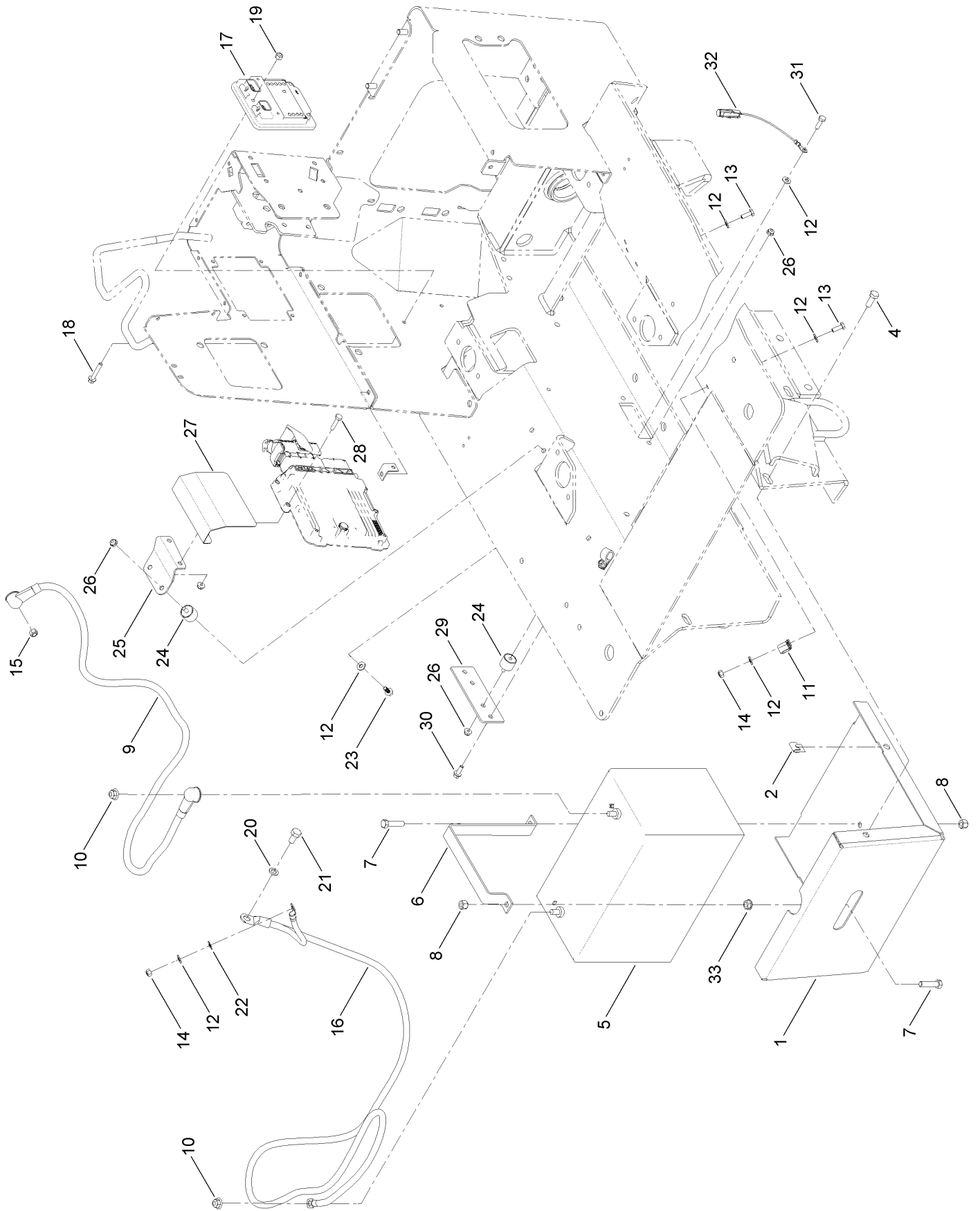
# Electrical Assembly



## Electrical Assembly (continued)

<i>Ref.</i>	<i>Part Number</i>	<i>Qty.</i>	<i>Description</i>	<i>Ref.</i>	<i>Part Number</i>	<i>Qty.</i>	<i>Description</i>
1	122-0128	1	Harness-Wire	6	AU292950A1	1	Switch-Pressure, Vacuum
2	121-6599	1	Switch-Temp, 200 Degree	7	99-3441	1	Harness-Wire, Fusible Link
3	33003-00	1	Nut-HF	8	130-7414	1	Bracket
4	125-8509	1	Switch-Pressure, Oil	9	3290-378	4	Tie-Cable
5	2811-7	1	Elbow				

# Battery Assembly



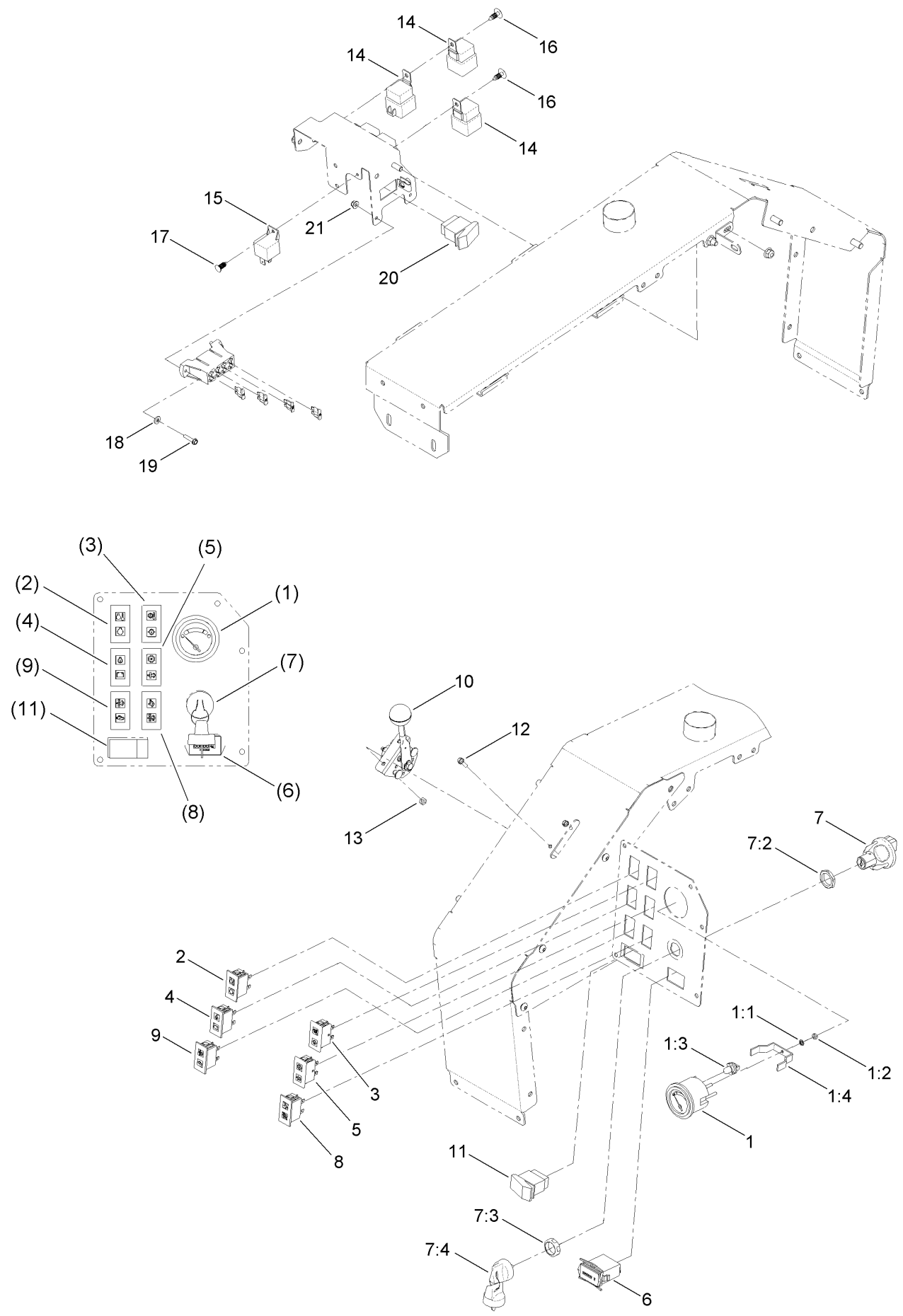


## Battery Assembly (continued)

<i>Ref.</i>	<i>Part Number</i>	<i>Qty.</i>	<i>Description</i>	<i>Ref.</i>	<i>Part Number</i>	<i>Qty.</i>	<i>Description</i>
1	AUH673382-01	1	Rack-Battery	18	94-5781	3	Screw-HHF
2	AU131-634	4	Nut-Spring	19	3296-42	3	Nut-Lock, NI
4	3234-42	4	Screw-HHF	20	48-9590	1	Washer-Lock
5		1	Battery (1000CCA, Wet) ●	21	33115-020	1	Screw-HH
6	AUH436777-03	1	Bracket-Battery	22	3255-8	1	Washer-Lock
7	323-8	2	Screw-HH	23	99-6810	2	Screw-HHF
8	AU232-4116	2	Nut-Hex	24	125-2674	4	Mount-Cylindrical
9	122-0113	1	Cable-Battery, Positive	25	130-4299-03	1	Plate-E C U
10	104-8301	2	Nut-HF, NI	26	104-7201	8	Nut-HF
11	2412-87	2	Clamp-Cable	27	130-4300-03	1	Cover-Drip
12	3256-22	10	Washer-Flat	28	321-7	2	Screw-HH
13	321-4	3	Screw-HH	29	130-4301	1	Plate-E C U
14	32152-4	3	Nut-Lock, Cone	30	3234-4	2	Screw-HHF
15	33024-00	1	Nut-Lock, NI	31	321-5	2	Screw-HH
16	122-0257	1	Cable-Battery, Negative	32	122-0340	1	Harness-Wire
17	106-9277	1	Module-Control, Standard	33	3290-357	1	Nut-HHF, Whiz

● Not serviced separately

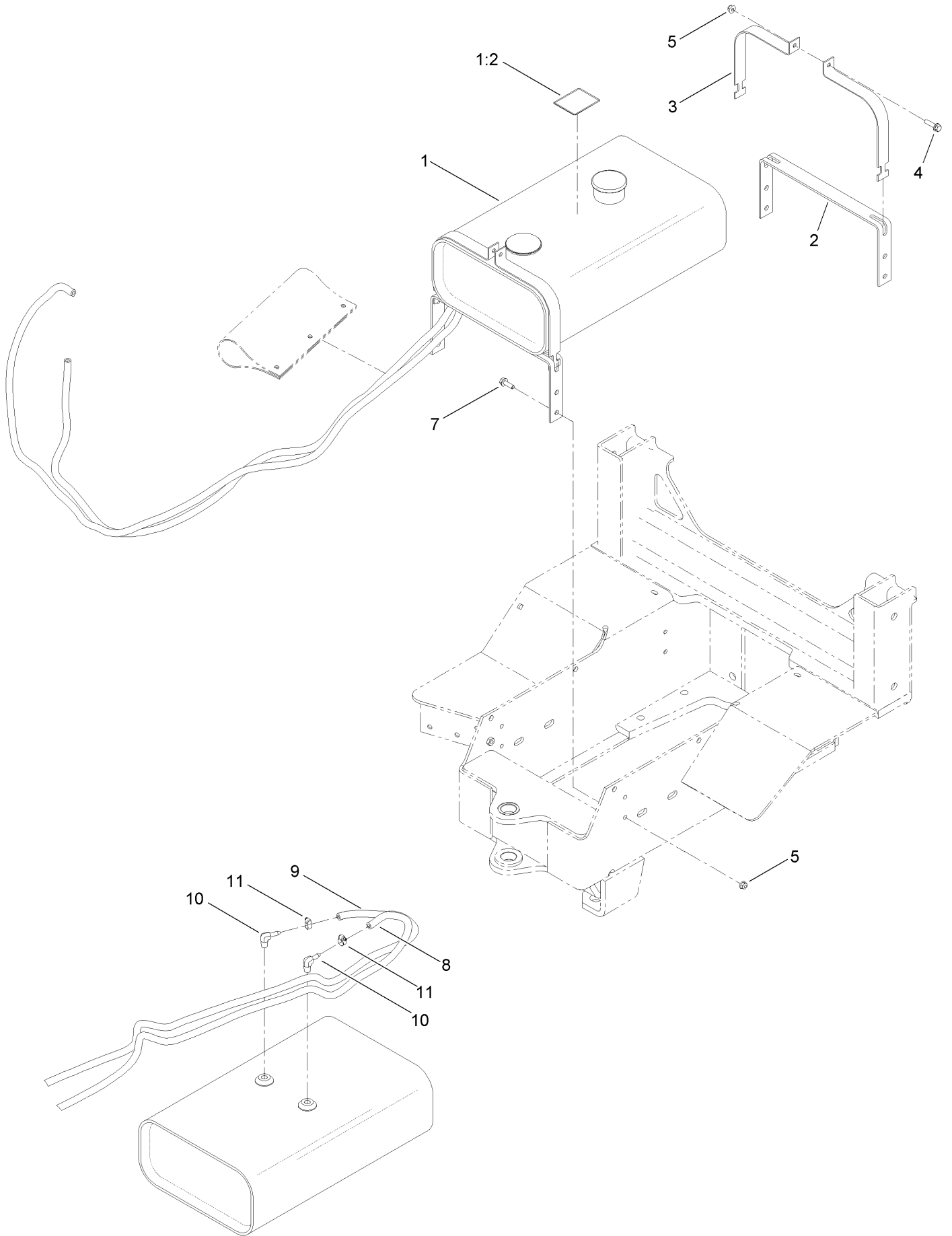
# Electrical Relay, Lamp and Switch Assembly



## Electrical Relay, Lamp and Switch Assembly (continued)

<i>Ref.</i>	<i>Part Number</i>	<i>Qty.</i>	<i>Description</i>	<i>Ref.</i>	<i>Part Number</i>	<i>Qty.</i>	<i>Description</i>
1	98-9339	1	Gauge-Fuel	8	130-4321	1	Lamp-Warning
1:1	3254-1	3	Washer-Lock, Int	9	130-4322	1	Lamp-Warning
1:2	3217-27	3	Nut-Hex	10	130-4328	1	Throttle-Sensor, Rotary
1:3	105-9265	1	Bulb And Lamp ASM	11	130-4347	1	Switch
1:4	105-0038	1	Bracket-Gauge	12	32105-13	2	Screw-HWH
2	130-7419	1	Light Cluster ASM	13	3296-2	2	Nut-Lock, NI
3	121-6584	1	Lamp-Warning	14	99-7430	6	Relay-Mini
4	130-7418	1	Light Cluster ASM	15	99-7435	1	Relay
5	121-6582	1	Lamp-Warning	16	104-0395	4	Plug-Plastic
6	1-513374	1	Meter-Hour	17	125-8067	1	Plug-Plastic
7	121-5159	1	Ignition Switch ASM	18	3256-14	2	Washer-Flat
7:2	121-5160	1	Nut-Hex	19	106-9169	2	Screw-HWH
7:3	121-5161	1	Nut-Face	20	95-8999	1	Switch
7:4	121-5162	1	Set-Key, Ignition	21	120-4578	2	Nut-HF

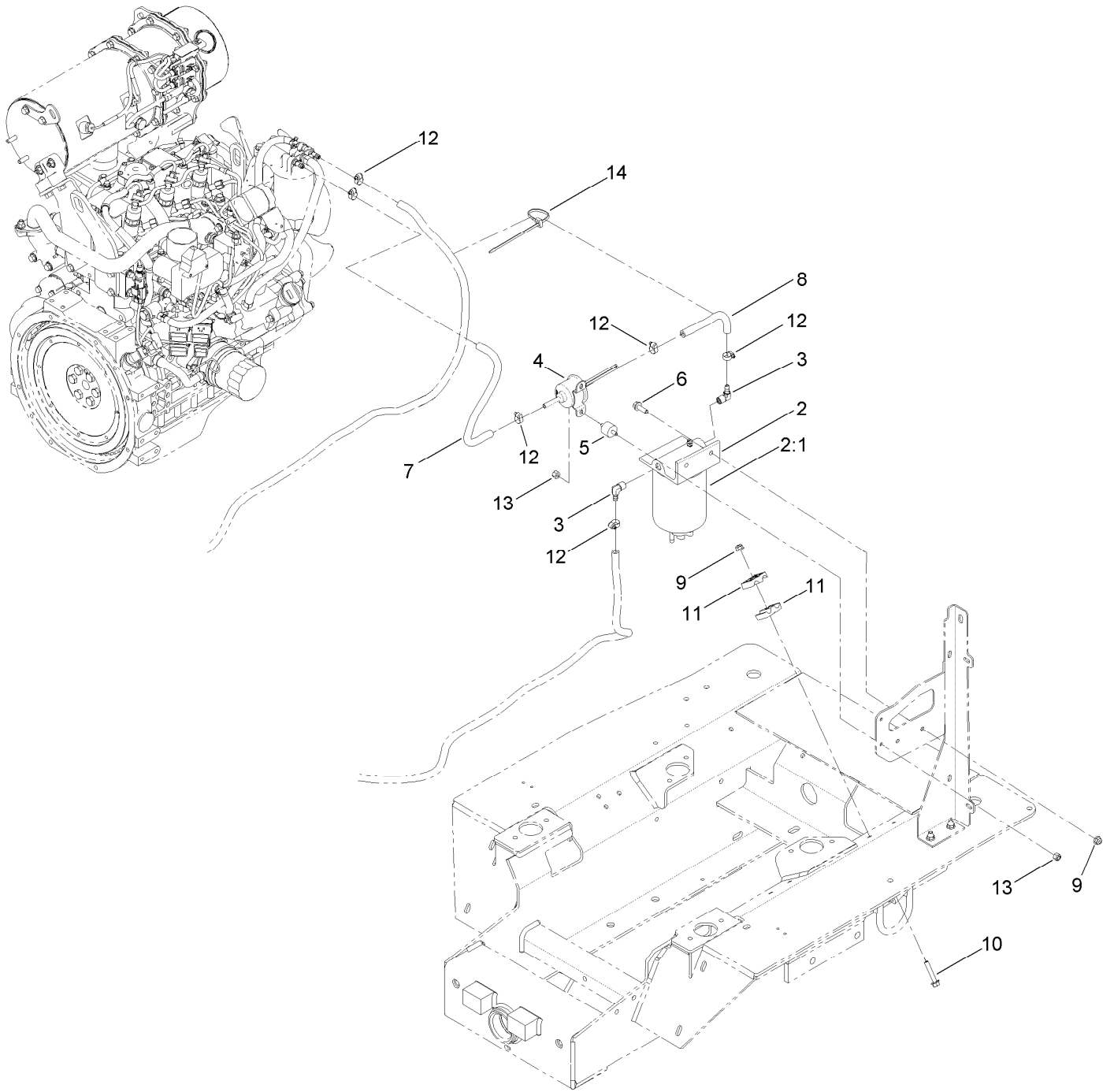
# Fuel Tank Assembly



## Fuel Tank Assembly (continued)

<i>Ref.</i>	<i>Part Number</i>	<i>Qty.</i>	<i>Description</i>	<i>Ref.</i>	<i>Part Number</i>	<i>Qty.</i>	<i>Description</i>
1	130-7379	1	Fuel Tank ASM	7	3234-17	8	Screw-HHF
1:2	125-6135	1	Decal-Diesel, Ultra-Low	8	130-4330	1	Hose-Fuel
2	AU105629-03	2	Bracket-Tank, Fuel	9	130-4331	1	Hose-Fuel
3	AU105630-03	4	Strap-Tank, Fuel	10	AU217-294	2	Stem-90 (Barb Hose)
4	3234-36	2	Screw-HHF	11	2412-108	2	Clamp-Worm
5	104-8300	10	Nut-HF, NI				

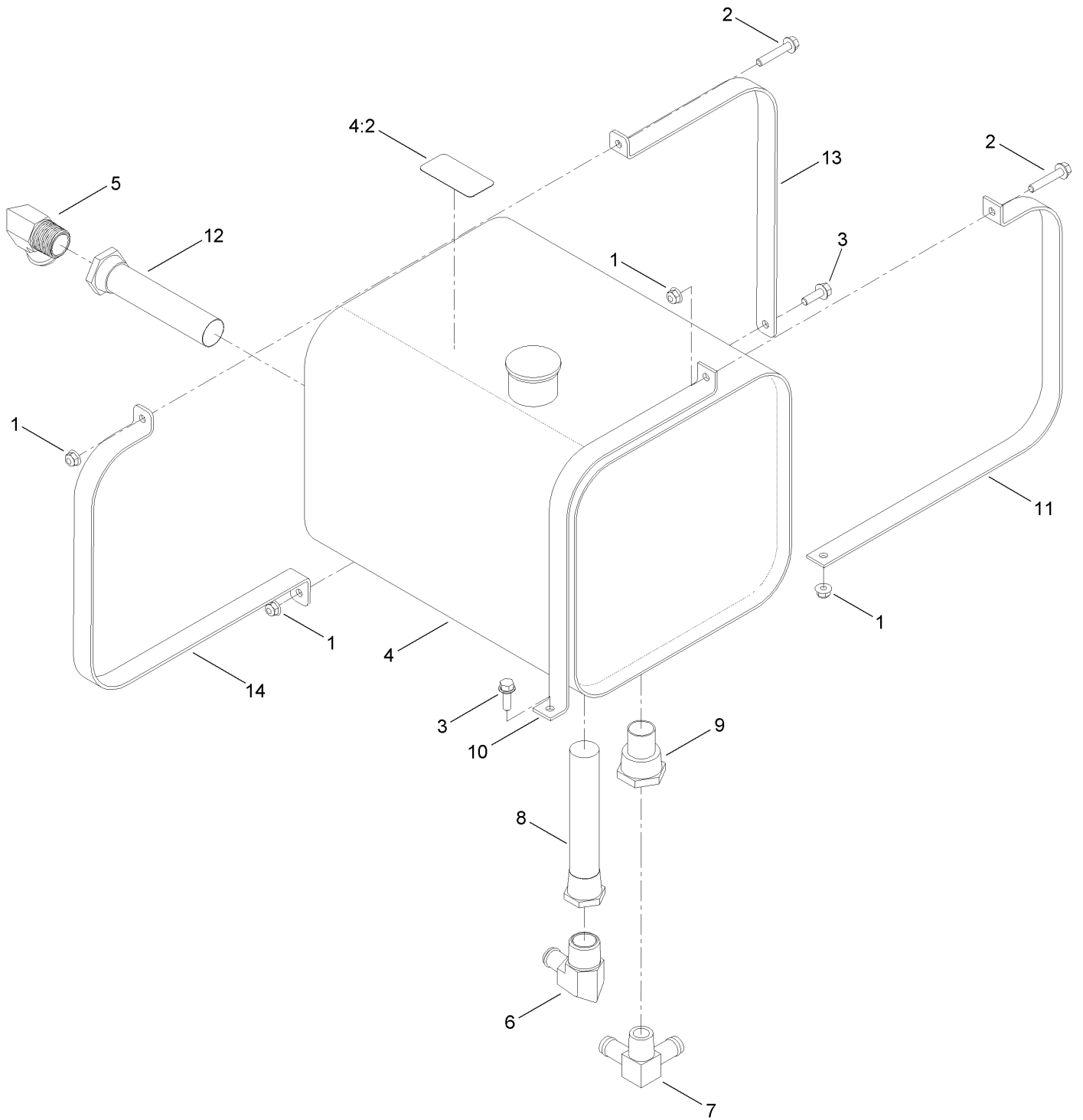
# Fuel Pump and Oil Filter Assembly



## Fuel Pump and Oil Filter Assembly (continued)

<i>Ref.</i>	<i>Part Number</i>	<i>Qty.</i>	<i>Description</i>	<i>Ref.</i>	<i>Part Number</i>	<i>Qty.</i>	<i>Description</i>
2	125-2914	1	Filter-Separator	8	117-4026	1	Hose-Fuel
2:1	125-2915	1	Filter-Fuel/Water Separator	9	104-8300	3	Nut-HF, NI
3	353-781	2	Fitting-HYD, 90	10	94-5780	1	Screw-HWH
4	121-5613	1	Pump-Fuel, Electric	11	56-7971	2	Clamp-Tube
5	125-8511	2	Mount-Isolater	12	2412-108	6	Clamp-Worm
6	3234-17	2	Screw-HHF	13	3296-29	4	Nut-Lock, NI
7	130-4332	1	Hose-Fuel	14	3290-378	1	Tie-Cable

# Hydraulic Tank Assembly

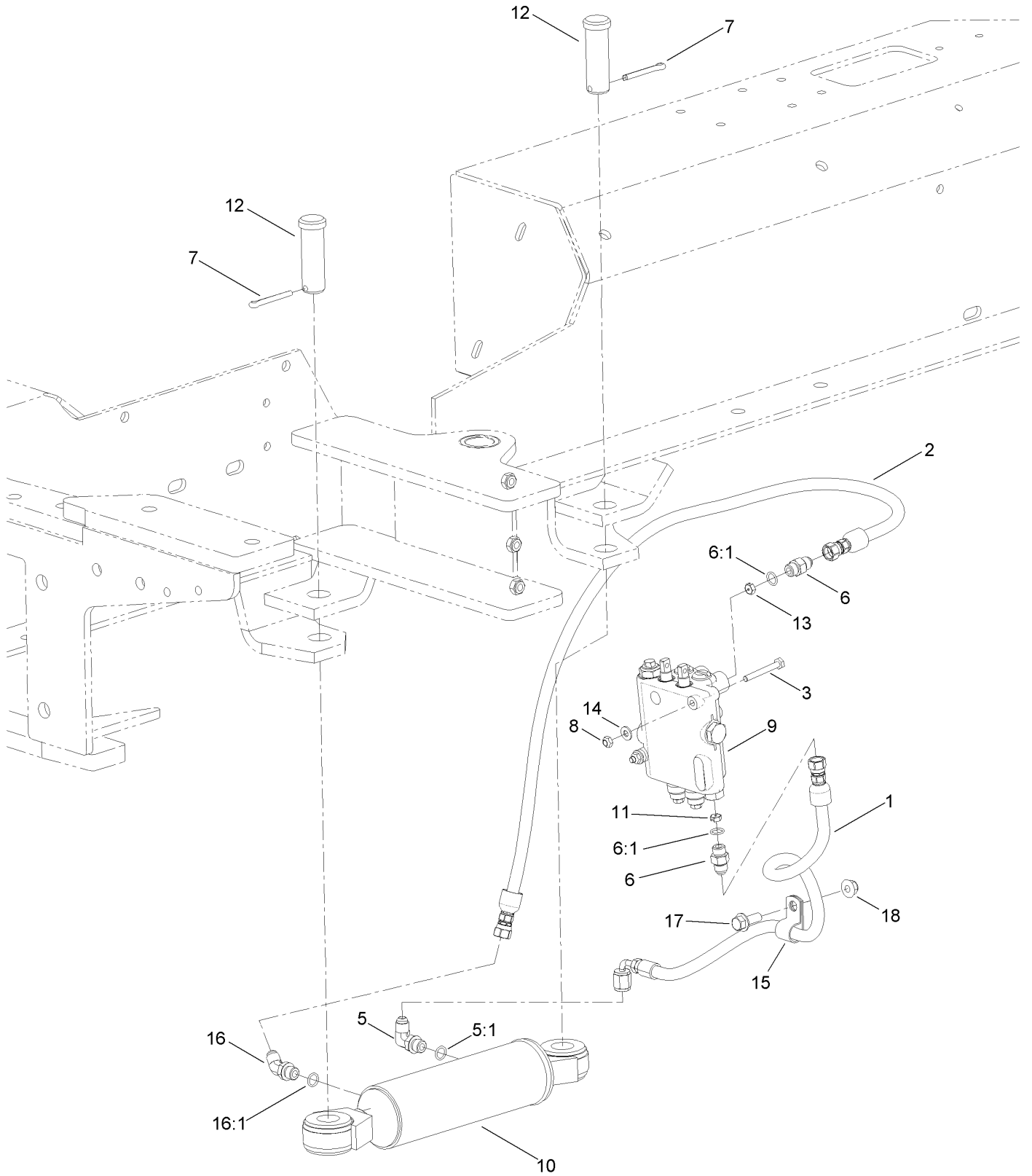




## Hydraulic Tank Assembly (continued)

<i>Ref.</i>	<i>Part Number</i>	<i>Qty.</i>	<i>Description</i>	<i>Ref.</i>	<i>Part Number</i>	<i>Qty.</i>	<i>Description</i>
1	104-8300	4	Nut-HF, NI	8	AUH151399	1	Filter ASM
2	94-5780	2	Screw-HWH	9	AUH428193	1	Inducer-Pressure
3	3234-29	2	Screw-HHF	10	AUH435811-03	1	Strap-Tank
4	127-1097	1	HYD Tank ASM	11	AUH435847-03	1	Strap-Tank
4:2	125-8483	1	Decal-HYD Fluid	12	AUH584631	1	Filter ASM
5	AU217-166	1	Fitting-Elbow, 90	13	130-4316-03	1	Strap-Tank
6	130-4319	1	Fitting-Elbow, 90	14	130-4317-03	1	Strap-Tank
7	AUD64786	1	Fitting-Elbow, Lateral				

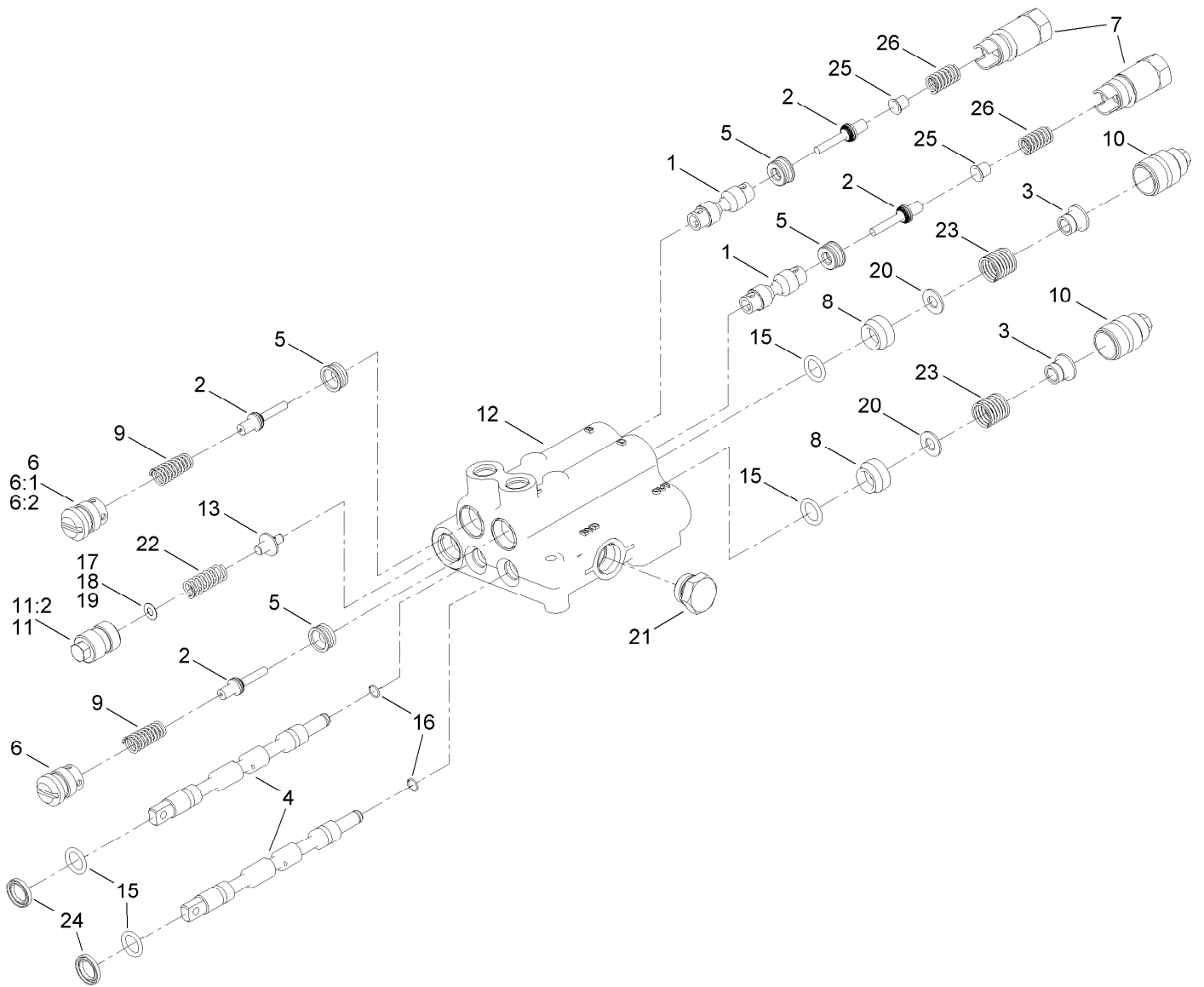
# Steering Assembly



## Steering Assembly (continued)

<i>Ref.</i>	<i>Part Number</i>	<i>Qty.</i>	<i>Description</i>	<i>Ref.</i>	<i>Part Number</i>	<i>Qty.</i>	<i>Description</i>
1	127-1001	1	Hose ASM	10	AU125471	1	HYD Cylinder ASM
2	127-1002	1	Hose ASM	11	AUH433173	1	Plate-Orifice
3	321-11	2	Screw-HH	12	AUH67272	2	Pin-Clevis
5	353-374	1	Fitting-Elbow, 90 DEG	13	AUH746875	1	Plate-Orifice
5:1	237-42	1	O-Ring	14	AUH426767	2	Washer-Flat
6	353-384	2	Fitting-Straight	15	2412-81	1	Clamp-R
6:1	237-42	1	O-Ring	16	353-212	1	Fitting-Elbow, 45 DEG
7	AU432-1628	2	Pin-Cotter	16:1	237-42	1	O-Ring
8	146375	2	Nut-Lock, Cone	17	3234-42	1	Screw-HHF
9	AU407213A1	1	HYD Steering Valve ASM	18	104-8301	1	Nut-HF, NI

# Hydraulic Steering Valve Assembly No. AU407213A1

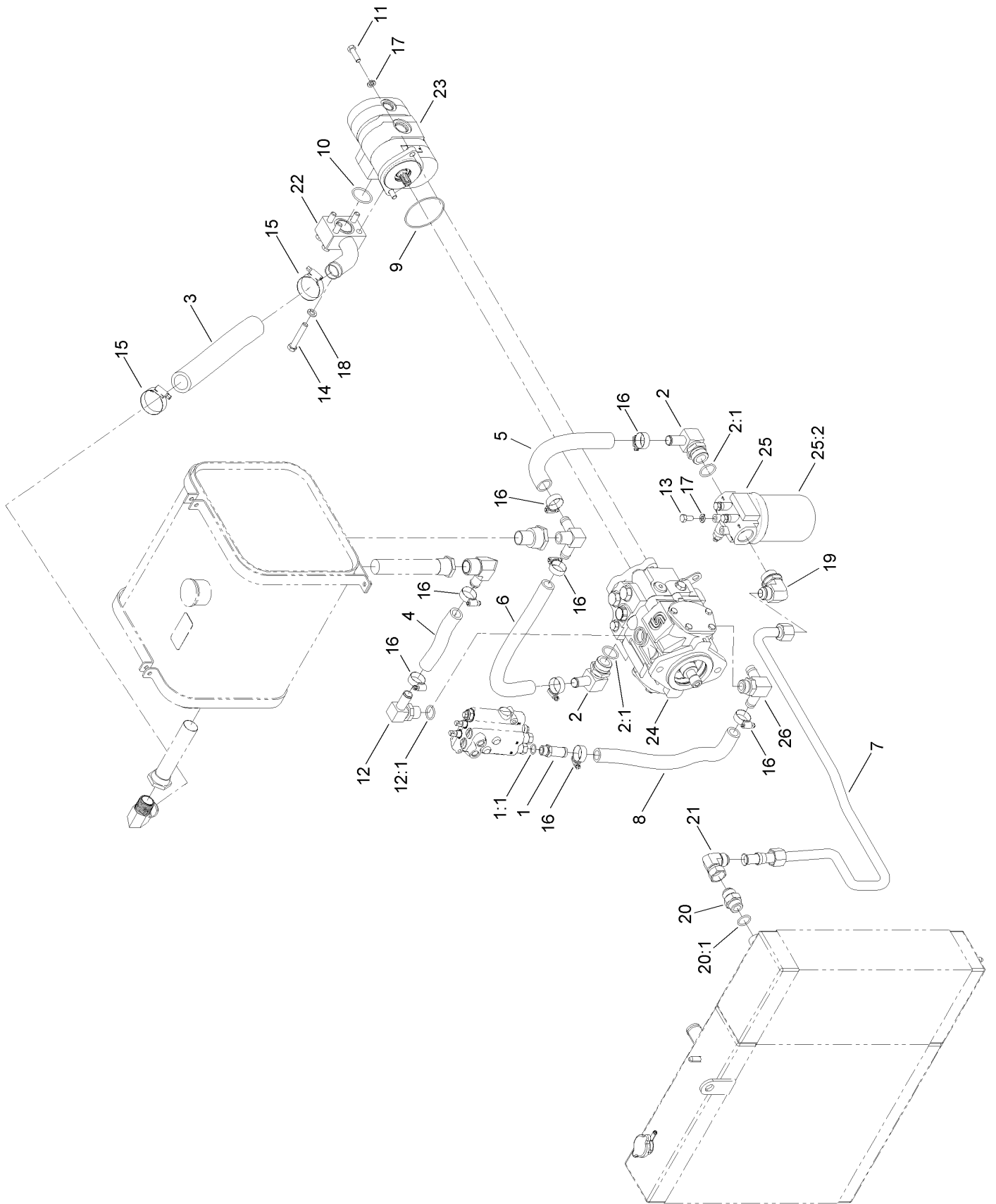


# Hydraulic Steering Valve Assembly No. AU407213A1 (continued)

<i>Ref.</i>	<i>Part Number</i>	<i>Qty.</i>	<i>Description</i>	<i>Ref.</i>	<i>Part Number</i>	<i>Qty.</i>	<i>Description</i>
1	127-6238	2	Plunger	12		1	Body ●
2	58-6290	4	Poppet	13	92-2568	1	Poppet
3	127-6237	2	Spacer	15	58-6450	4	O-Ring
4	106-6750	2	Spool	16	AUN9257	2	Ring-Retaining
5	117-9228	4	Seat-Hardened	17	58-6470	1	Washer
6	99-3526	2	Plug ASM	18	58-6480	1	Washer
6:1	60-5720	1	O-Ring	19	58-6490	1	Washer
6:2	59-7730	1	Washer-Backup	20	65-2770	2	Washer
7	58-6380	2	Plug	21	127-6239	1	Plug ASM
8	58-6400	2	Bushing	22	106-0267	1	Spring
9	AUH364182	2	Lock-Spring	23	99-3531	2	Spring
10	58-6420	2	Cap	24	58-6320	2	Wiper
11	69-1830	1	Plug ASM	25	60-6440	2	Eyelet
11:2	58-6750	1	O-Ring	26	58-6410	2	Spring

● Not serviced separately

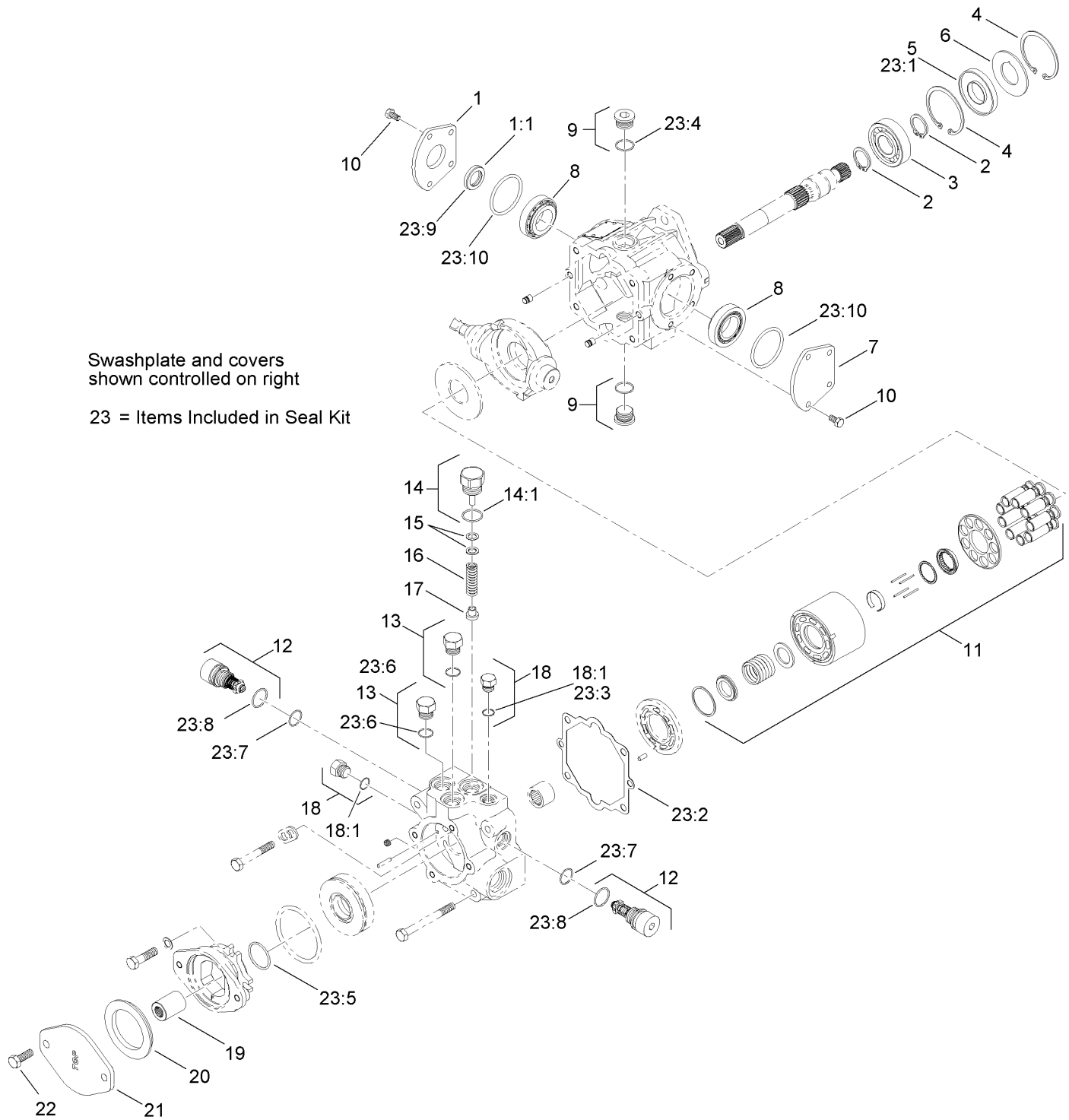
# Pump Assembly



## Pump Assembly (continued)

<i>Ref.</i>	<i>Part Number</i>	<i>Qty.</i>	<i>Description</i>	<i>Ref.</i>	<i>Part Number</i>	<i>Qty.</i>	<i>Description</i>
1	83-1480	1	Fitting-Straight	14	324-10	4	Screw-HH
1:1	237-79	1	O-Ring	15	2412-75	2	Clamp
2	98-0971	2	Fitting-Elbow, 90	16	2412-129	8	Clamp-Hose
2:1	237-117	1	O-Ring	17	3253-21	5	Washer-Lock
3	125-8543	1	Hose-Suction	18	3253-6	4	Washer-Lock
4	130-7390	1	Hose-Low Pressure	19	AU218-5118	1	Elbow
5	130-7389	1	Hose-Low Pressure	20	AU218-5064	1	Fitting-Straight
6	125-8546	1	Hose-HYD	20:1	237-81	1	O-Ring
7	130-7355	1	Hydraulic Tube ASM	21	AU218-5231	1	Fitting-Elbow, 90
8	125-8546	1	Hose-HYD	22	127-6556	1	Flange-Pump
9	AU238-5152	1	O-Ring	23	127-6550	1	HYD Pump ASM (Double)
10	AU238-5222	1	O-Ring	24	AU239918A1	1	HYD Variable Pump ASM
11	323-7	2	Screw-HH	25	127-8423	1	HYD Filter ASM
12	353-987	1	Fitting-Elbow, 90	25:2	110-4146	1	Filter-HYD
12:1	237-81	1	O-Ring	26	AUH339762	1	Tee
13	323-4	3	Screw-HH				

# Hydraulic Variable Pump Assembly No. AU239918A1



Swashplate and covers  
shown controlled on right

23 = Items Included in Seal Kit

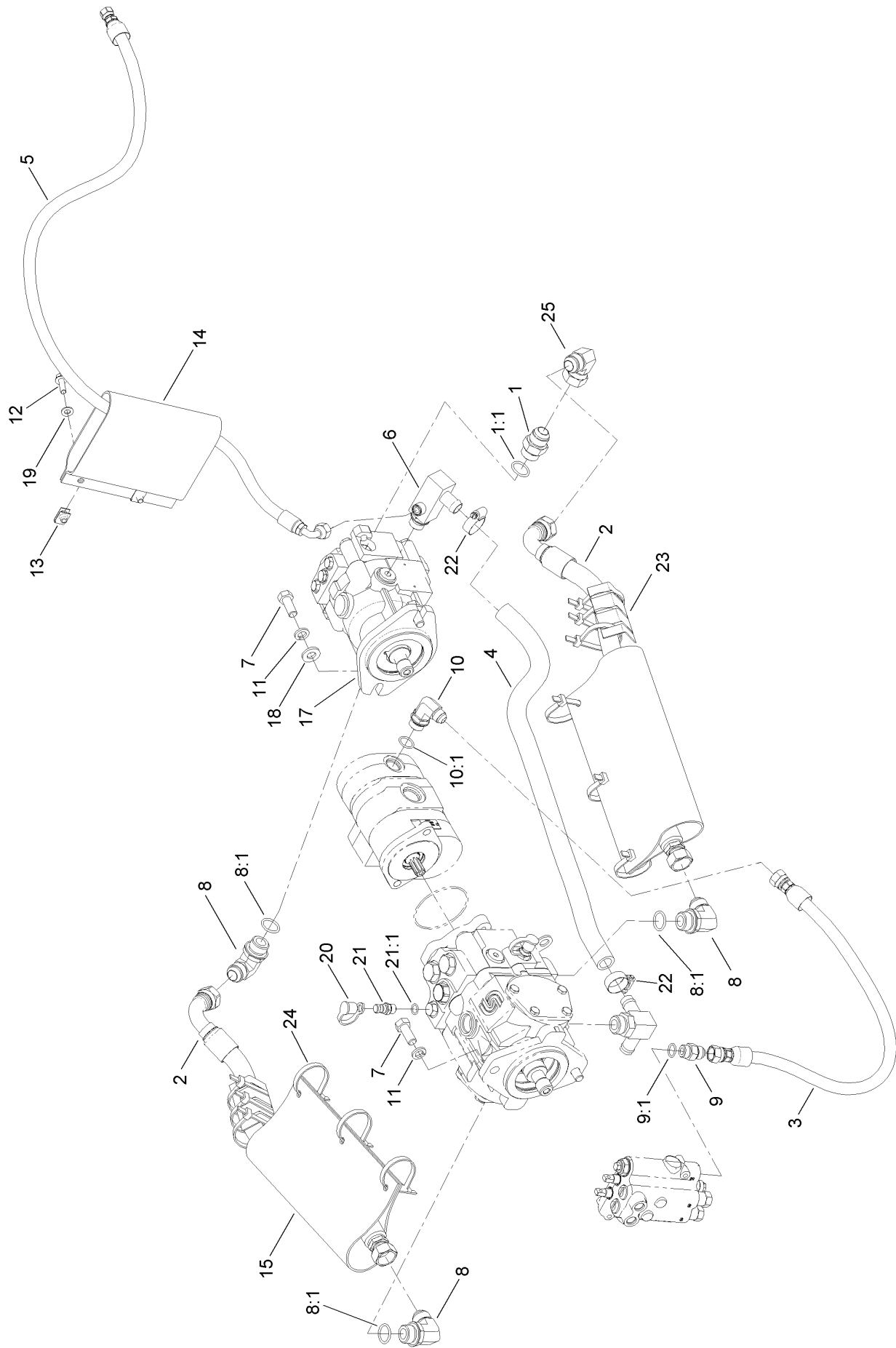


# Hydraulic Variable Pump Assembly No. AU239918A1 (continued)

<i>Ref.</i>	<i>Part Number</i>	<i>Qty.</i>	<i>Description</i>	<i>Ref.</i>	<i>Part Number</i>	<i>Qty.</i>	<i>Description</i>
1	110-6499	1	Trunnion Cover ASM	17	84-0480	1	Poppet-Relief, Charge
1:1	110-6478	1	Seal-Lip	18	94-9415	2	Plug ASM
2	69-3170	2	Ring-Retaining	18:1		1	O-Ring ●
3	75-0460	1	Bearing-Ball	19	127-6226	1	Coupling
4	69-3200	2	Ring-Retaining	20	107-4377	1	Seal-A, Pad
5	110-6471	1	Seal-Lip	21	107-4378	1	Cover
6	95-4400	1	Washer-Backup	22	69-3400	2	Screw
7	84-0440	1	Cover-Trunnion	23	910643	1	Seal Kit
8	110-6483	2	Bearing Kit	23:1		1	Seal-Lip ●
9	69-3130	2	Plug	23:2		1	Gasket-End Cap ●
10	112-0151	8	Screw	23:3		2	O-Ring ●
11	127-6247	1	Cylinder Block Kit	23:4		2	O-Ring ●
12	127-6228	2	Valve-Solenoid, Check	23:5		1	O-Ring ●
13	88-8210	2	Plug	23:6		2	O-Ring ●
14	110-6486	1	Plug-Relief, Charge	23:7		1	O-Ring ●
14:1	28-3570	1	O-Ring	23:8		1	R-Ring ●
15	92-1353	1	Shim Kit	23:9		1	Seal-Lip ●
16	110-6474	1	Spring	23:10		2	O-Ring ●

● Not serviced separately

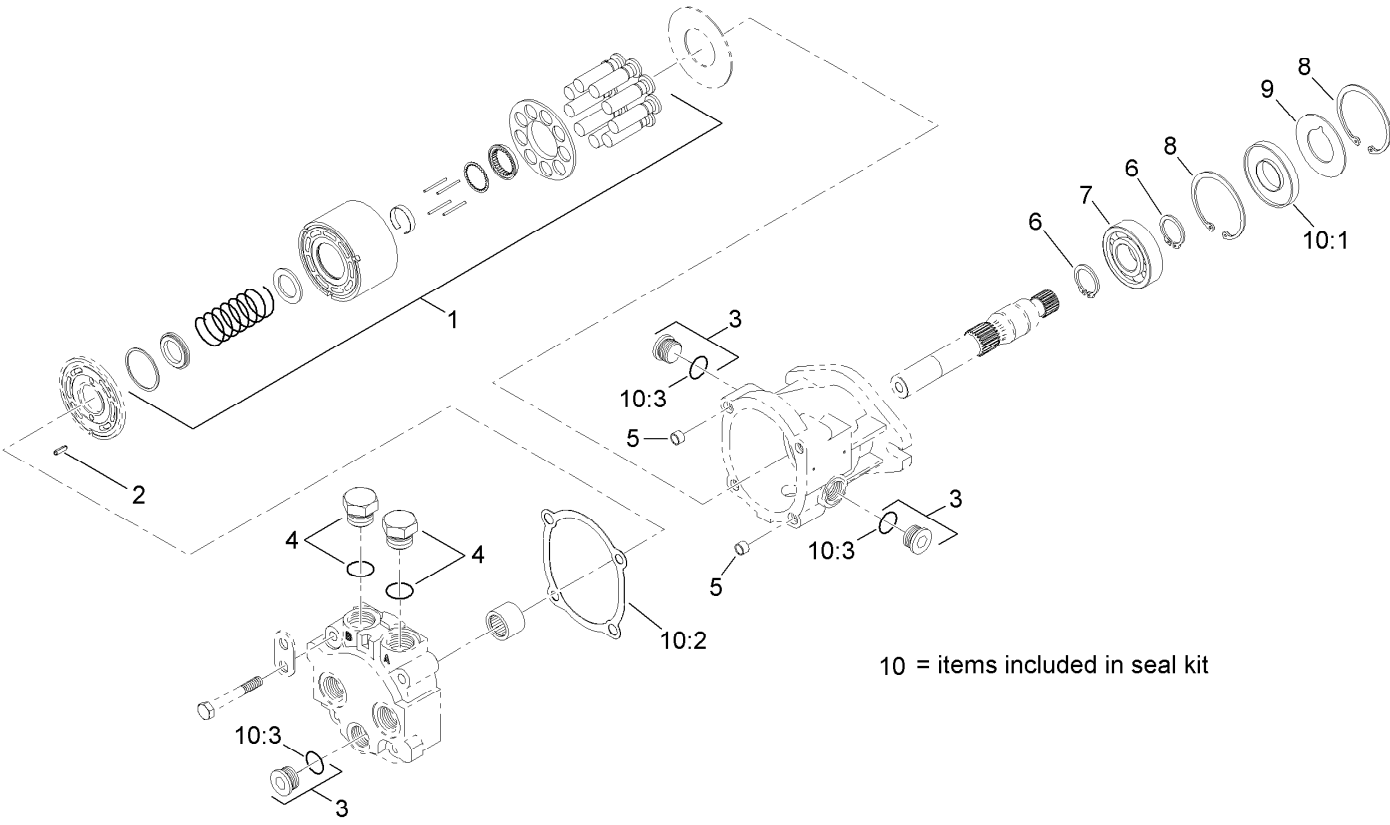
# Hydraulic Plumbing Assembly



## Hydraulic Plumbing Assembly (continued)

<i>Ref.</i>	<i>Part Number</i>	<i>Qty.</i>	<i>Description</i>	<i>Ref.</i>	<i>Part Number</i>	<i>Qty.</i>	<i>Description</i>
1	AU218-5064	1	Fitting-Straight	12	3234-29	2	Screw-HHF
1:1	237-81	1	O-Ring	13	115-7721	2	Nut-Clip, U
2	125-8549	2	Hose (Pump To Reg Valve)	14	AU107409	1	Boot-Hose
3	127-1003	1	Hose ASM	15	AU123989A1	2	Boot-Hose
4	130-7362	1	Hose ASM	17	AU239920A2	1	HYD Piston Motor ASM
5	127-1021	1	Hose ASM	18	AUH274894	2	Washer
6	127-1023	1	Fitting-90 DEG (Special)	19	3256-23	2	Washer-Plain
7	325-5	4	Screw-HH	20	354-79	2	Cap-Dust
8	353-369	3	Fitting-Elbow, 90 DEG	21	59-7410	2	Fitting-Diagnostic
8:1	237-81	1	O-Ring	21:1	237-42	1	O-Ring
9	353-388	1	Fitting-Straight	22	2412-129	2	Clamp-Hose
9:1	237-79	1	O-Ring	23	AU112950	2	Protector-Hose
10	353-426	1	Fitting-90 DEG	24	3334-945	12	Tie-Cable
10:1	237-80	1	O-Ring	25	AU218-5231	1	Fitting-Elbow, 90
11	3253-7	4	Washer-Lock				

# Hydraulic Piston Motor Assembly No. AU239920A2

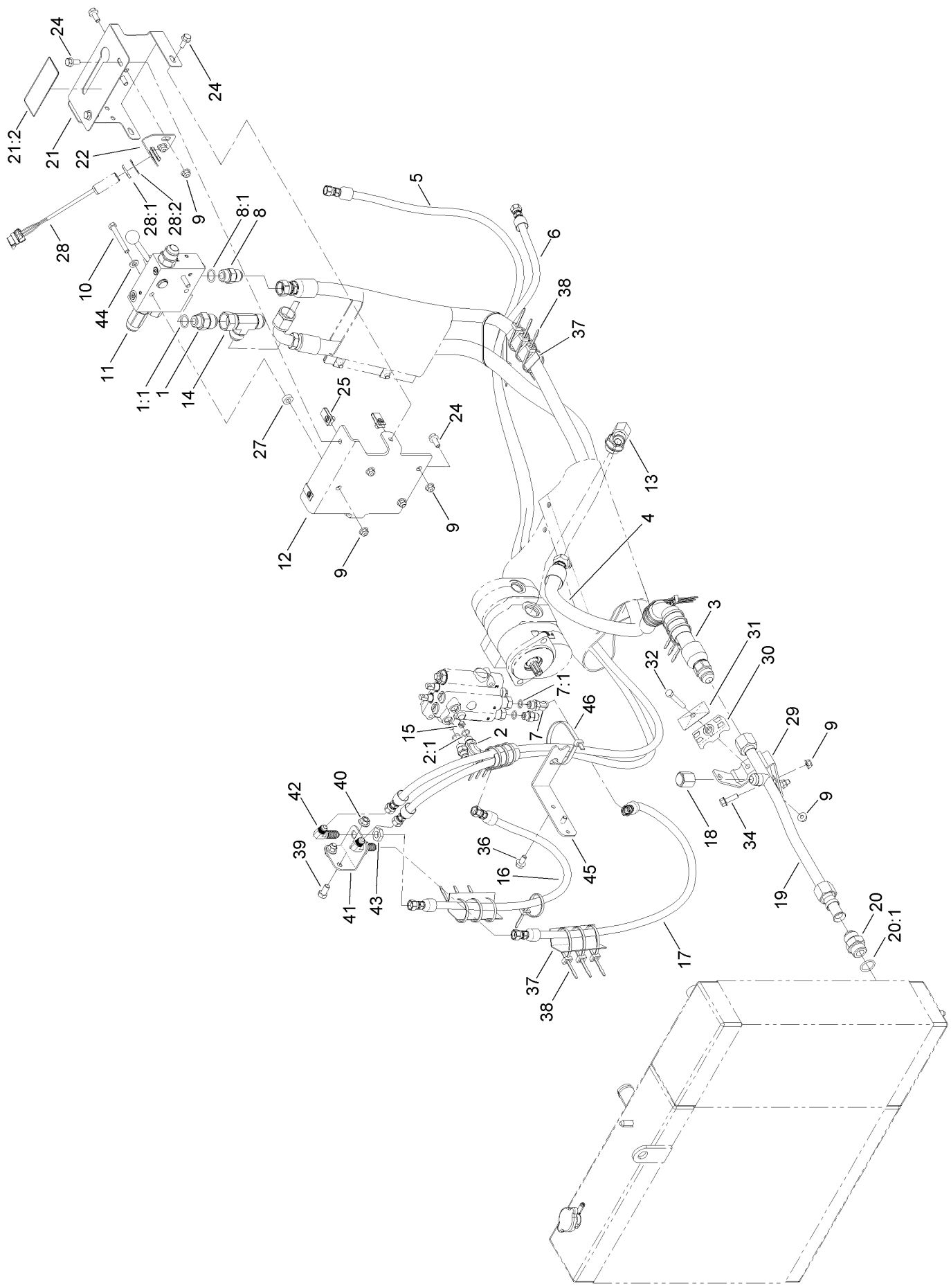


# Hydraulic Piston Motor Assembly No. AU239920A2 (continued)

<i>Ref.</i>	<i>Part Number</i>	<i>Qty.</i>	<i>Description</i>	<i>Ref.</i>	<i>Part Number</i>	<i>Qty.</i>	<i>Description</i>
1	127-6247	1	Cylinder Block Kit	8	69-3200	2	Ring-Retaining
2	83-3880	1	Pin-Spring	9	95-4400	1	Washer-Backup
3	92-5717	3	Plug-Pipe	10	127-6246	1	Seal Kit
4	69-3130	2	Plug	10:1	69-3190	1	Seal-Lip
5	69-3230	1	Pin-Spring	10:2		1	Gasket-Cap, End ●
6	69-3170	2	Ring-Retaining	10:3		3	O-Ring ●
7	75-0460	1	Bearing-Ball				

● Not serviced separately

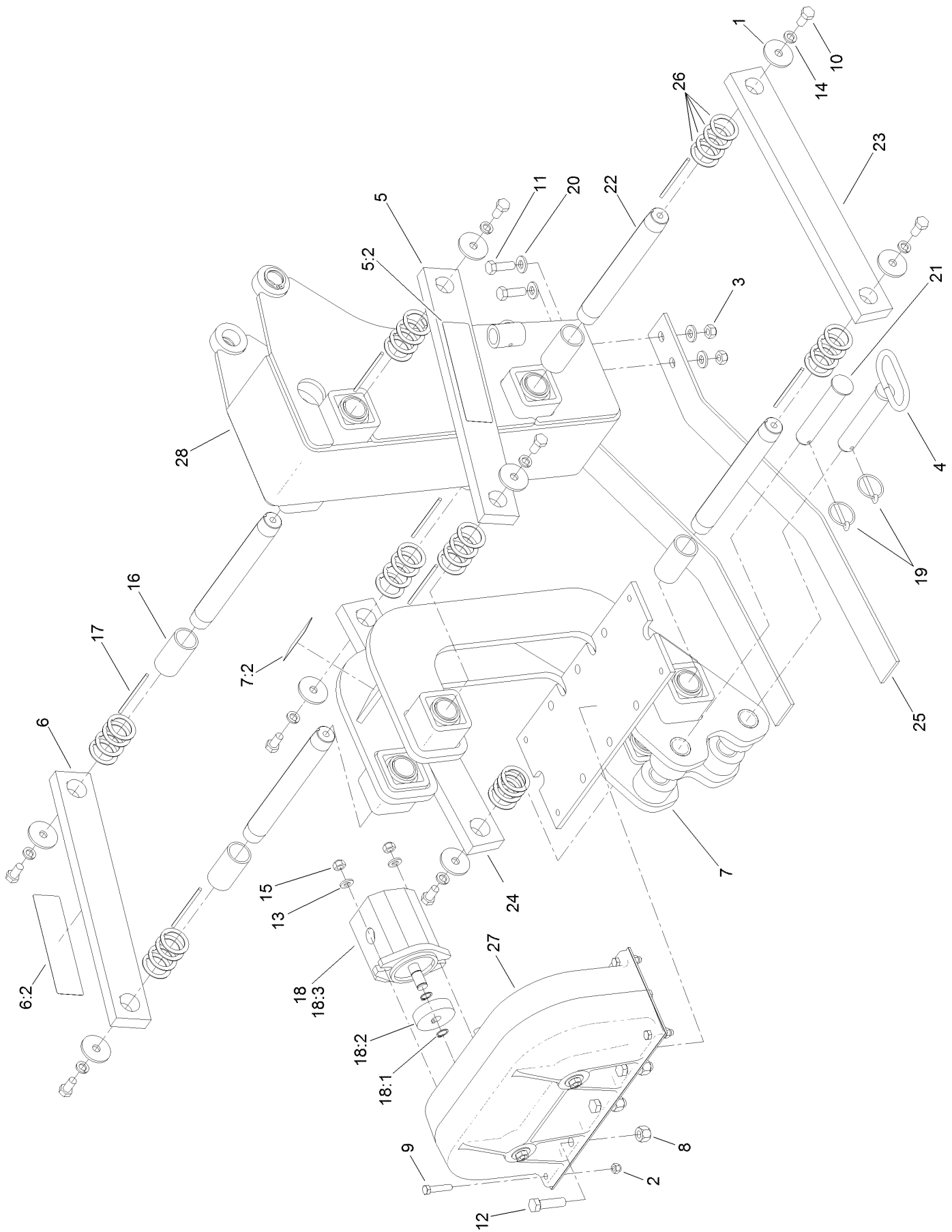
# Hydraulic Plumbing Assembly No. 2



## Hydraulic Plumbing Assembly No. 2 (continued)

<i>Ref.</i>	<i>Part Number</i>	<i>Qty.</i>	<i>Description</i>	<i>Ref.</i>	<i>Part Number</i>	<i>Qty.</i>	<i>Description</i>
1	01-201-3290	2	Fitting-Straight	21	130-4344	1	Cover Plate ASM
1:1	237-80	1	O-Ring	21:2	127-1822	1	Decal-Vibe Plow Control
2	353-374	1	Fitting-Elbow, 90 DEG	22	130-4298	1	Plate-Sensor
2:1	237-42	1	O-Ring	24	3234-47	8	Screw-HHF
3	130-4323	1	Hose ASM	25	AUH346650	4	Nut-U Type
4	127-1004	1	Hose ASM	27	104-1156	2	Spacer
5	130-7365	1	Hose ASM	28	115-5300	1	Proximity Switch ASM
6	130-7366	1	Hose ASM	28:1	117-3207	2	Nut-Hex
7	353-212	1	Fitting-Elbow, 45 DEG	28:2	117-3208	2	Washer-Lock, Internal Tooth
7:1	237-42	1	O-Ring	29	130-7364-03	1	Bracket-Tube
8	353-385	1	Fitting-Straight	30	94-8105	2	Clamp-Tube
8:1	237-80	1	O-Ring	31	69-9761	1	Plate-Cover
9	104-8300	9	Nut-HF, NI	32	322-11	1	Screw-HH
10	120-2812	2	Screw-HH	34	3234-29	2	Screw-HHF
11	127-6591	1	Valve-Control, Vibe Plow	36	33104-016	2	Screw-HHF
12	130-4296-01	1	Plate-Valve, Plow	37	AU112950	6	Protector-Hose
13	AU218-5119	1	Adaptor-Elbow	38	3290-378	22	Tie-Cable
14	AU218-5221	1	Fitting-Tee	39	323-4	2	Screw-HH
15	AUH757815	1	Orifice	40	104-8301	2	Nut-HF, NI
16	127-1015	1	Hose ASM	41	130-7368-03	1	Plate-Bulkhead
17	127-1016	1	Hose ASM	42	130-7370	2	Union-Bulkhead, Elbow 90
18	AU218-756	1	Fitting-Cap	43	AU218-1254	2	Nut-Lock, Bulkhead
19	130-7354	1	HYD Tube ASM	44	3256-23	2	Washer-Plain
20	AU218-5064	1	Fitting-Straight	45	130-7423	1	Bracket-Hose
20:1	237-81	1	O-Ring	46	3334-945	1	Tie-Cable

# Plow Frame, Blade Mounting and Transmission Assembly



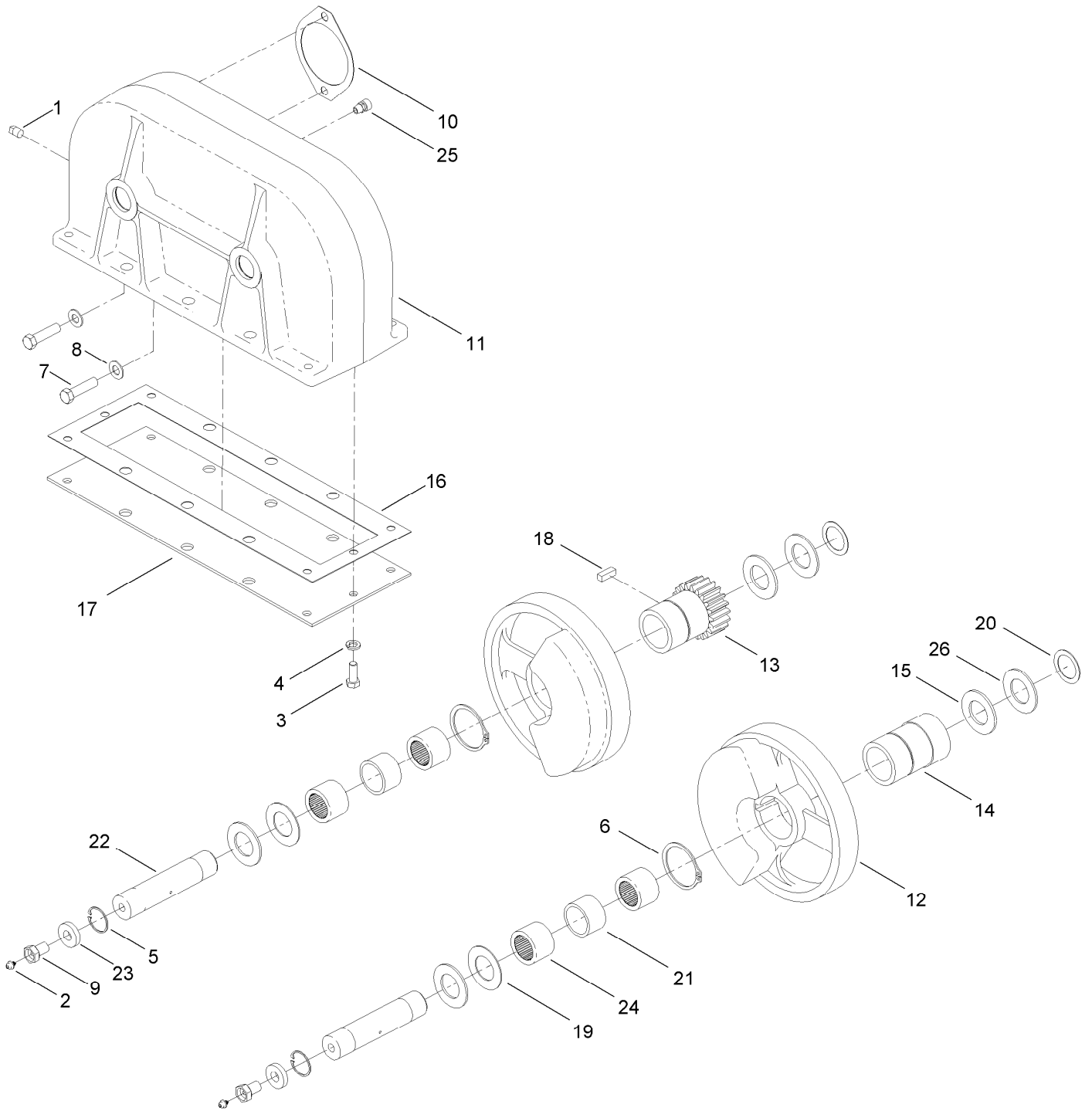


## Plow Frame, Blade Mounting and Transmission Assembly (continued)

<i>Ref.</i>	<i>Part Number</i>	<i>Qty.</i>	<i>Description</i>	<i>Ref.</i>	<i>Part Number</i>	<i>Qty.</i>	<i>Description</i>
1	75-7730	8	Washer-Thrust	14	3253-7	8	Washer-Lock
2	97-1204	4	Nut-Hex	15	32152-9	2	Nut-Hex
3	97-1206	4	Locknut	16	AU116372A1-03	4	Tube-Spacer
4	125-8528	1	Pin	17	AU116373A1	8	Key-Square
5	127-1039	1	RH Upper Bar And Decal ASM	18		1	HYD Gear Motor ASM ●
5:2	125-6684	1	Decal-Danger, Plow	18:1	32151-79	2	Ring-Retaining
6	127-1040	1	LH Upper Bar And Decal ASM	18:2	AUH113282	1	Gear-Mounting, Drive
6:2	125-6684	1	Decal-Danger, Plow	18:3	AU109170A1	1	Gear Motor ASM
7	127-1041	1	Mounting Blade And Decal ASM	19	AUA30338	2	Pin-Klik
7:2	125-6671	1	Decal-Danger	20	AUH274894	8	Washer
8	AU232-4119	6	Nut-Hex	21	AUH393843	1	Pin-Mounting, Blade
9	323-52	4	Screw-HH	22	AUH421867	4	Shaft-Mounting, Plow Arm
10	325-4	8	Screw-HH	23	AUH435952-03	1	Arm-Plow, Lower (RH)
11	325-6	4	Screw-HH	24	AUH435953-03	1	Arm-Plow, Lower (LH)
12	AU426-932	6	Bolt	25	AUH436096-03	2	Spring-Shoe
13	87-7480	2	Washer	26	AUH436118	32	Shim-Arm
				27	AUH530204	1	Gear Case ASM
				28	AUH673331	1	Frame-Lift, Plow

● Not serviced separately

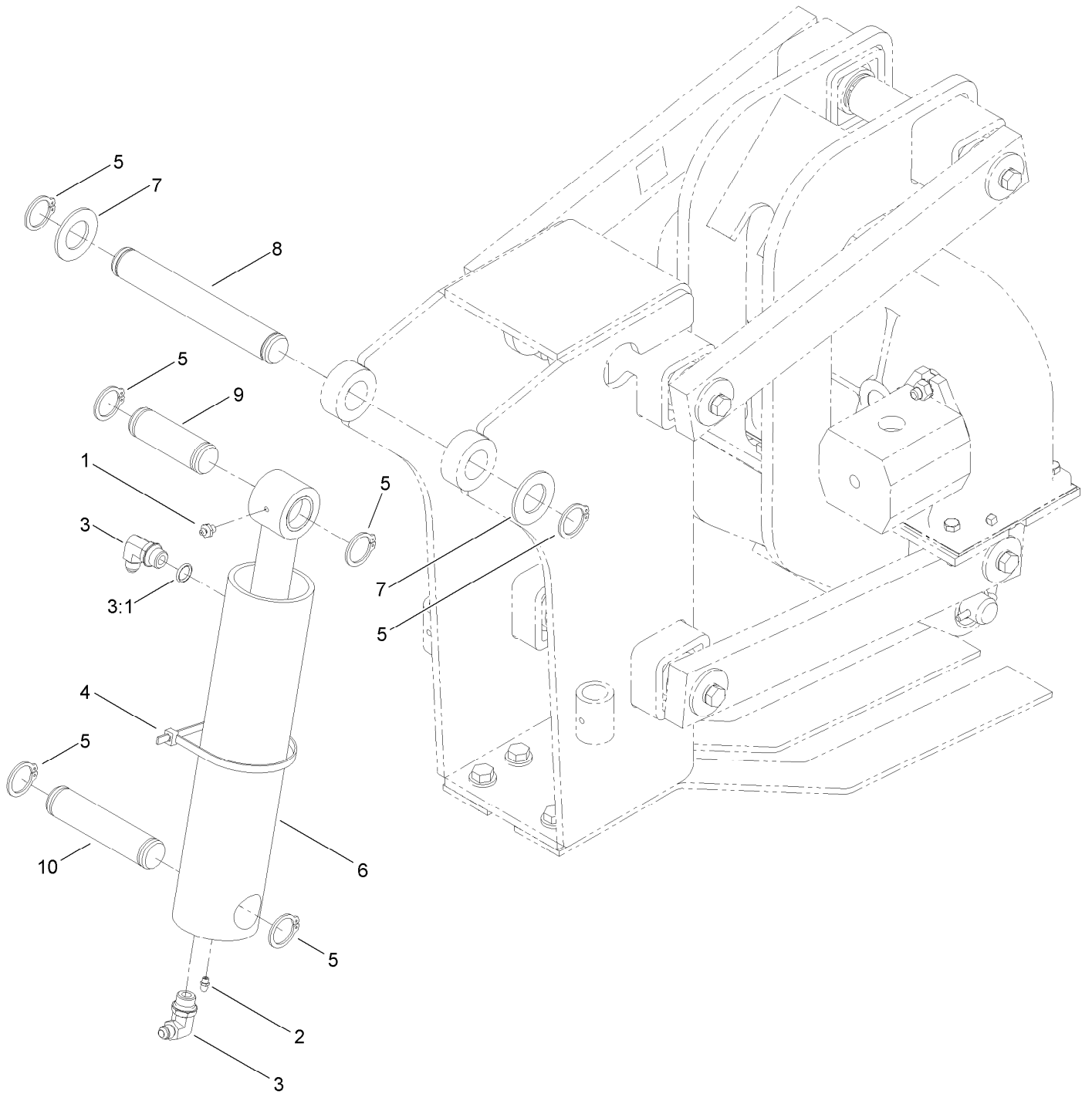
# Gear Case Assembly No. AUH530204



## Gear Case Assembly No. AUH530204 (continued)

<i>Ref.</i>	<i>Part Number</i>	<i>Qty.</i>	<i>Description</i>	<i>Ref.</i>	<i>Part Number</i>	<i>Qty.</i>	<i>Description</i>
1	281-7	1	Cap-Pipe	14	AUH113233	1	Hub-Bearing
2	302-63	2	Fitting-Grease, Zerk	15	AUH113241	2	Washer-10 Gauge
3	323-6	2	Screw-HH	16	AUH113266	1	Gasket-Gearbox
4	3253-21	2	Washer-Lock	17	AUH113274-03	1	Plate-Cover
5	32151-51	2	Ring-Retaining	18	AUH120550	1	Key-Sq
6	AU103-11225	2	Ring-Retaining	19	AUH159160	2	Washer-Thrust
7	AU113-372	2	Screw-HH	20	AUH357517	2	Washer
8	AU495-11047	2	Washer-Flat	21	AUH369496	2	Spacer
9	AUD136218	2	Adapter-Locating	22	AUH436788	2	Pin-Bearing
10	AUH032375	1	Gasket	23	AUH436789	2	Washer-Flat, Stepped
11	AUH113209-03	1	Case-Gear	24	AUH748210	4	Bearing-Pitch Line
12	AUH113217	2	Gear	25	AUL33264	1	Vent-Air
13	AUH113225	1	Hub-Drive, Bearing	26	AUH126201	4	Washer-Thrust

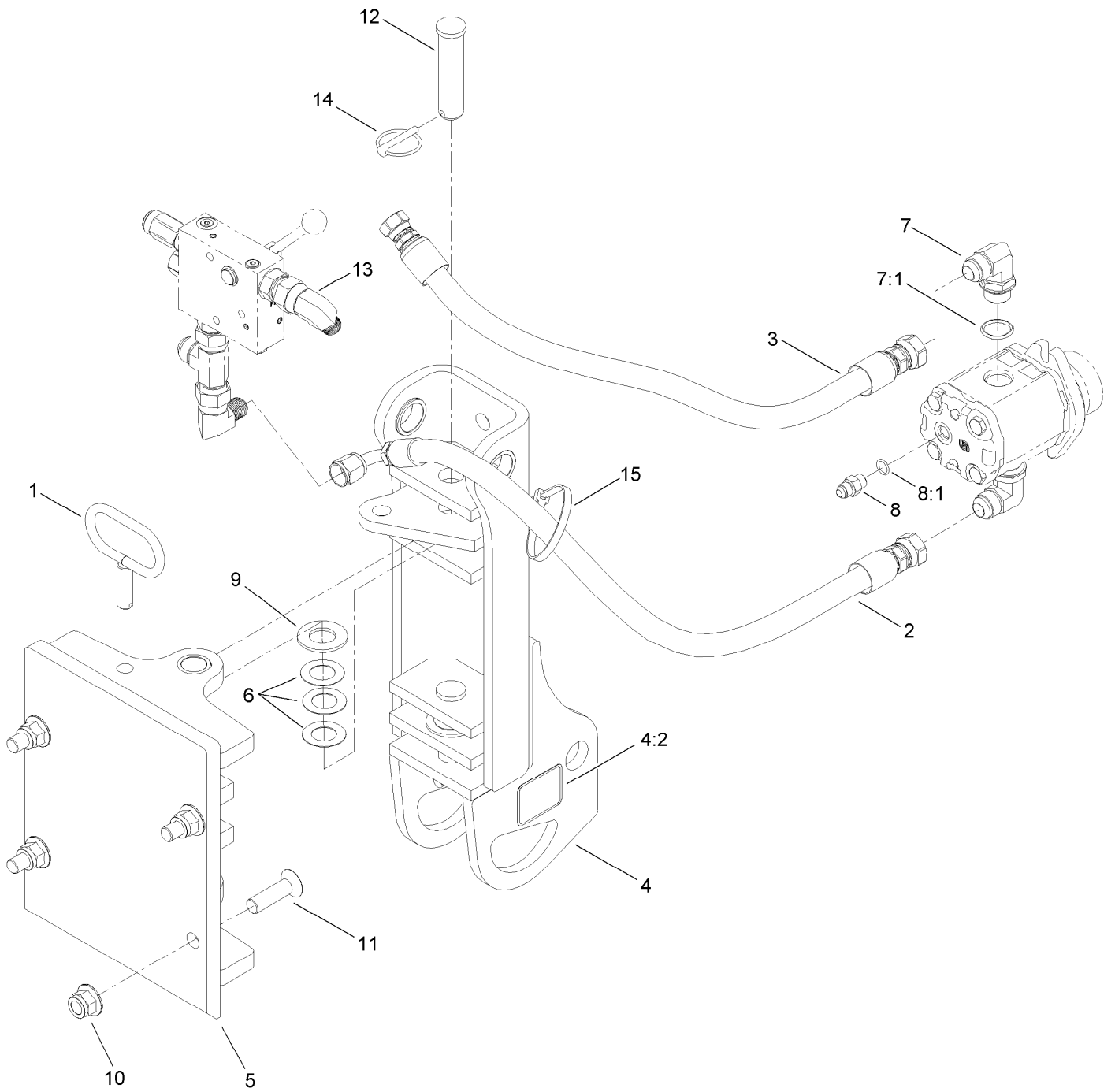
# Plow Cylinder Assembly



## Plow Cylinder Assembly (continued)

<i>Ref.</i>	<i>Part Number</i>	<i>Qty.</i>	<i>Description</i>	<i>Ref.</i>	<i>Part Number</i>	<i>Qty.</i>	<i>Description</i>
1	302-2	1	Fitting-Grease	6	AU129434	1	HYD Cylinder ASM
2	302-57	1	Fitting-Grease	7	AUH113241	2	Washer-10 Gauge
3	353-537	2	Fitting-Elbow, 90 DEG	8	AUH382457	1	Pin-Lift
3:1	237-79	1	O-Ring	9	AUH434556	1	Pin-Clevis
4	3334-945	1	Tie-Cable	10	AUH434557	1	Pin-Clevis
5	32151-77	6	Ring-Retaining, External				

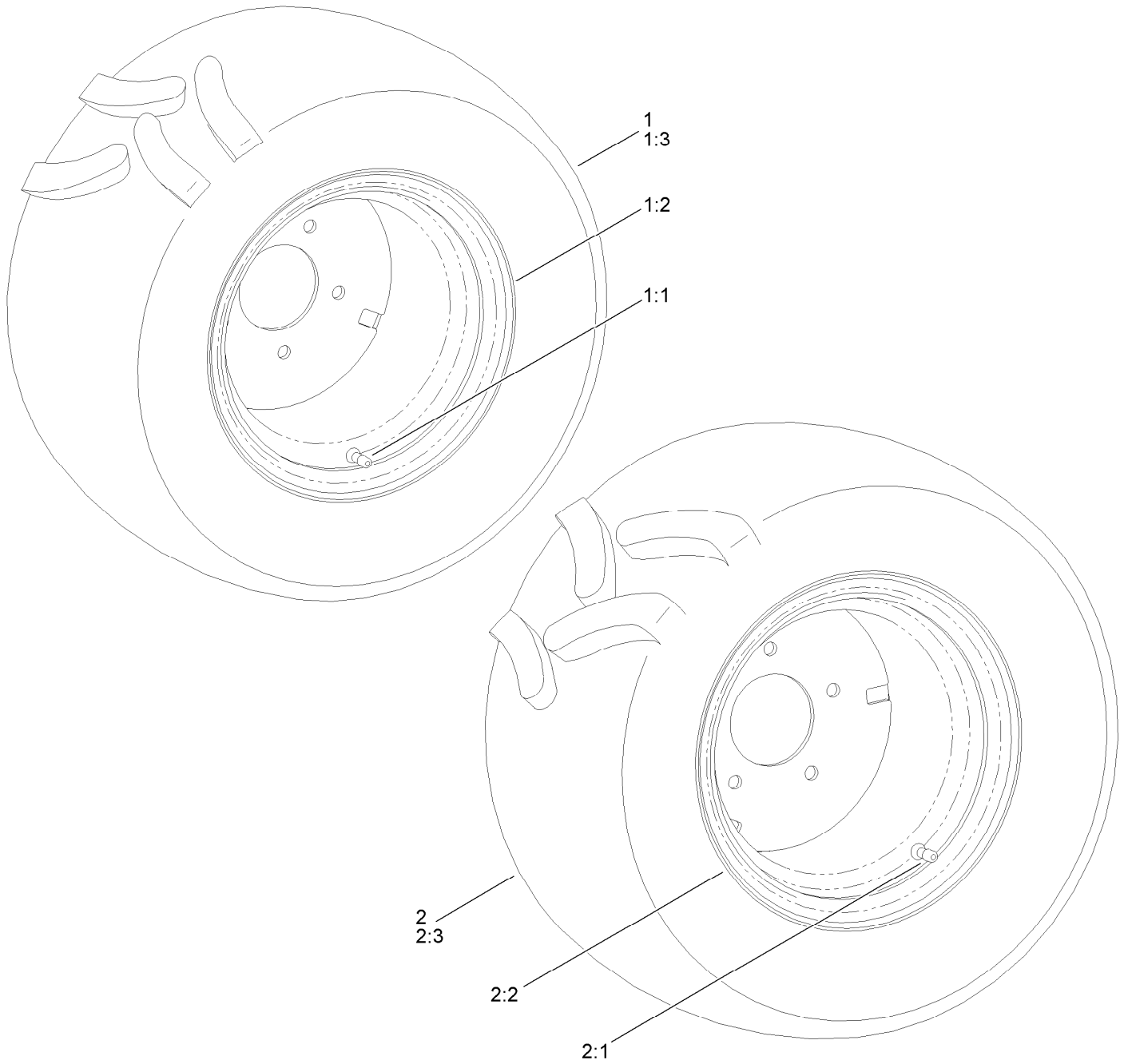
# Plow Pivot and Quick Attach Slide Assembly



## Plow Pivot and Quick Attach Slide Assembly (continued)

<i>Ref.</i>	<i>Part Number</i>	<i>Qty.</i>	<i>Description</i>	<i>Ref.</i>	<i>Part Number</i>	<i>Qty.</i>	<i>Description</i>
1	125-8535	1	Lock-Swing	8	353-384	1	Fitting-Straight
2	127-1019	1	Hose ASM	8:1	237-42	1	O-Ring
3	127-1020	1	Hose ASM	9	AU495-11106	2	Washer-Flat
4	127-1044	1	Pivot ASM	10	AU100529	4	Nut-HHF
4:2	125-6694	2	Decal-Tie Down	11	AU107931	4	Screw-HSFH
5	AU107916-03	1	Slide-Quick Attach	12	AU113192A1	2	Pin-Pivot
6	AU195-81015	6	Washer-Flat	13	AU218-5377	2	Fitting-Elbow, 90
7	353-369	2	Fitting-Elbow, 90 DEG	14	AUA30338	2	Pin-Klik
7:1	237-81	1	O-Ring	15	3334-945	2	Tie-Cable

# 23 Inch Wheel and Tire Assembly



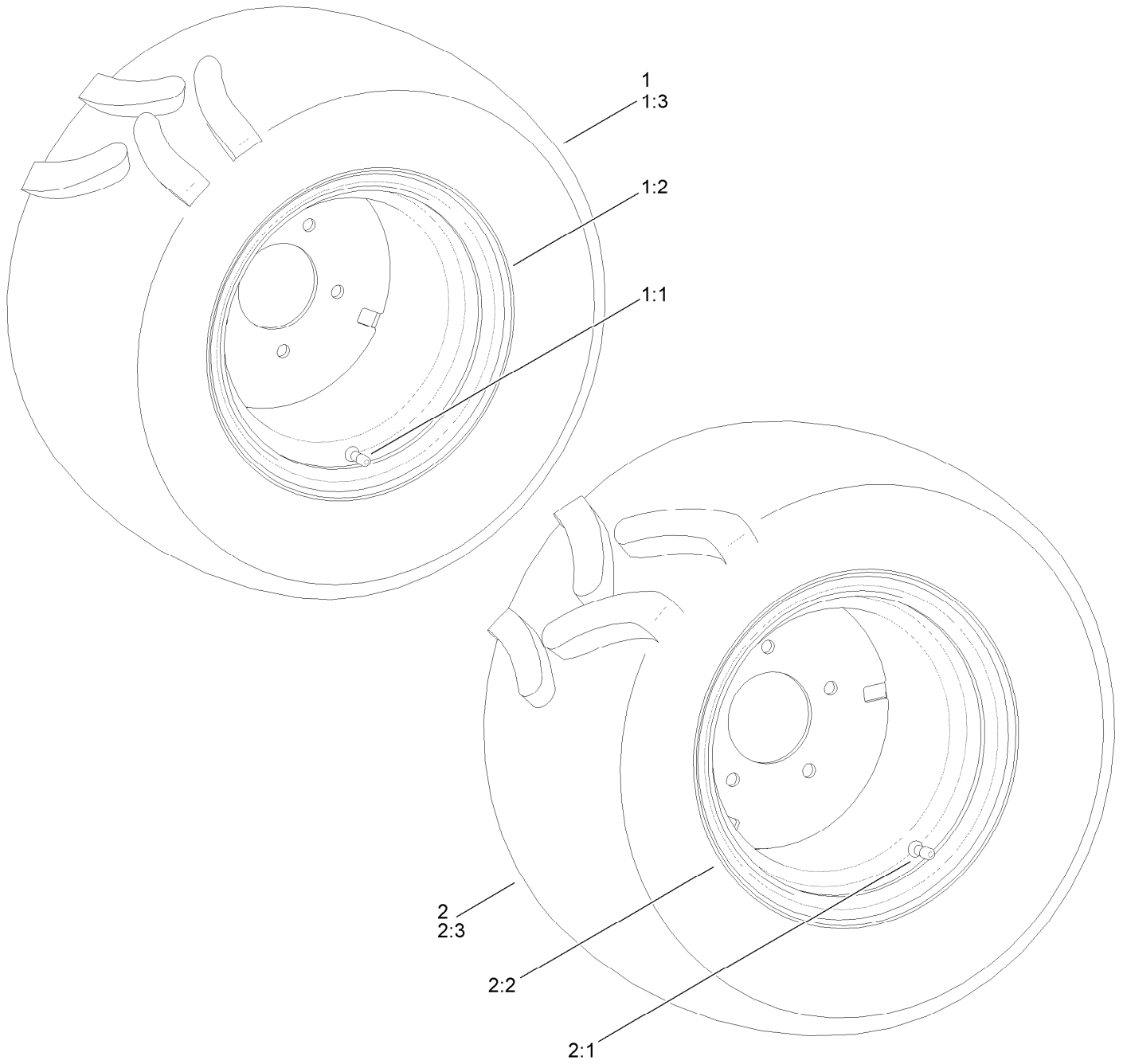


## 23 Inch Wheel and Tire Assembly (continued)

<i>Ref.</i>	<i>Part Number</i>	<i>Qty.</i>	<i>Description</i>
1	125-8504	2	RH Wheel And Tire ASM
1:1	232-27	1	Stem-Valve
1:2	125-8502	1	Wheel
1:3	125-8503	1	Tire

<i>Ref.</i>	<i>Part Number</i>	<i>Qty.</i>	<i>Description</i>
2	125-8505	2	LH Wheel And Tire ASM
2:1	232-27	1	Stem-Valve
2:2	125-8502	1	Wheel
2:3	125-8503	1	Tire

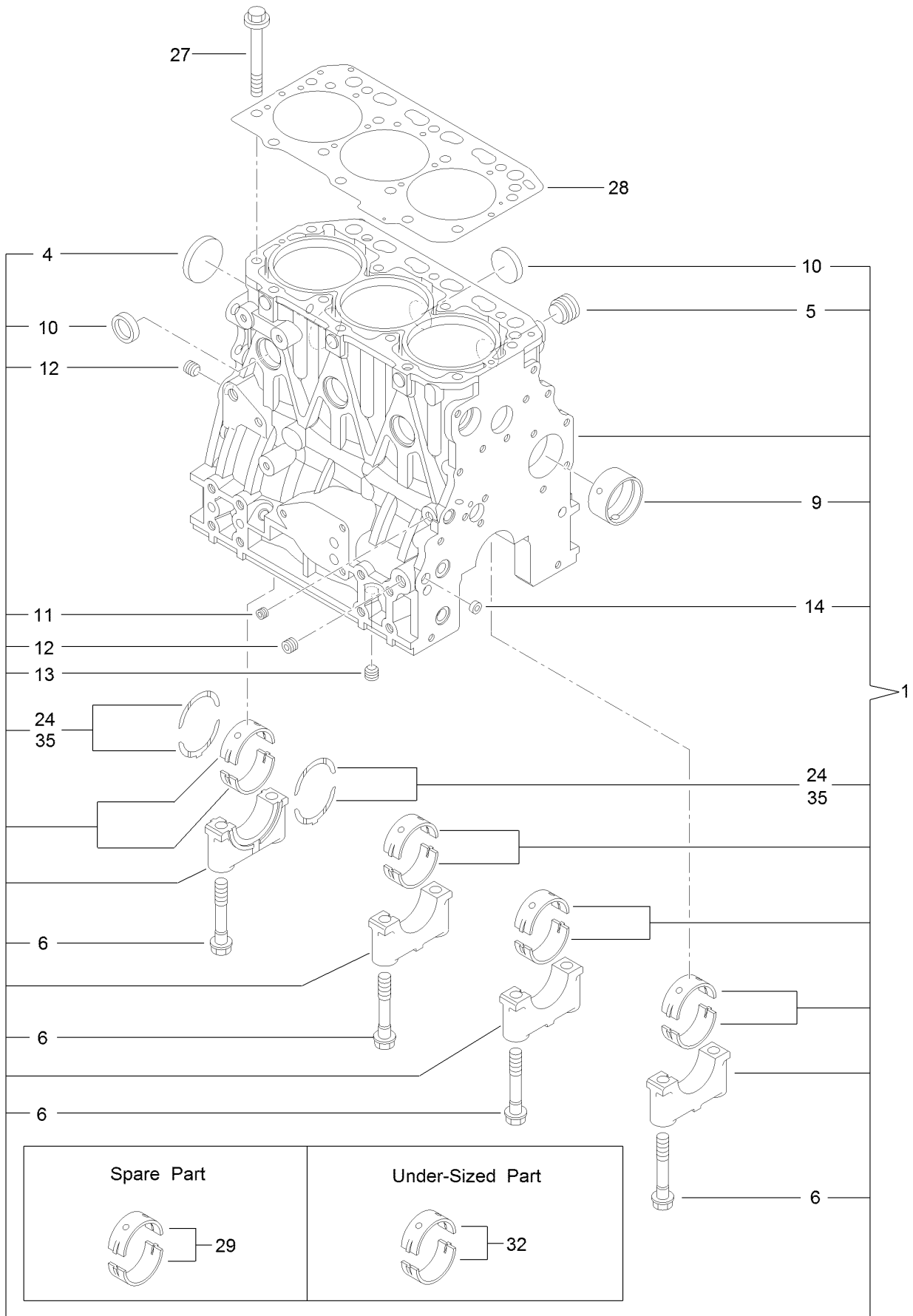
# 26 Inch Wheel and Tire Assembly



## 26 Inch Wheel and Tire Assembly (continued)

<i>Ref.</i>	<i>Part Number</i>	<i>Qty.</i>	<i>Description</i>	<i>Ref.</i>	<i>Part Number</i>	<i>Qty.</i>	<i>Description</i>
1	125-8530	2	RH Wheel And Tire ASM	2	125-8529	2	LH Wheel And Tire ASM
1:1	232-27	1	Stem-Valve	2:1	232-27	1	Stem-Valve
1:2	125-8508	1	Wheel	2:2	125-8508	1	Wheel
1:3	125-8507	1	Tire	2:3	125-8507	1	Tire

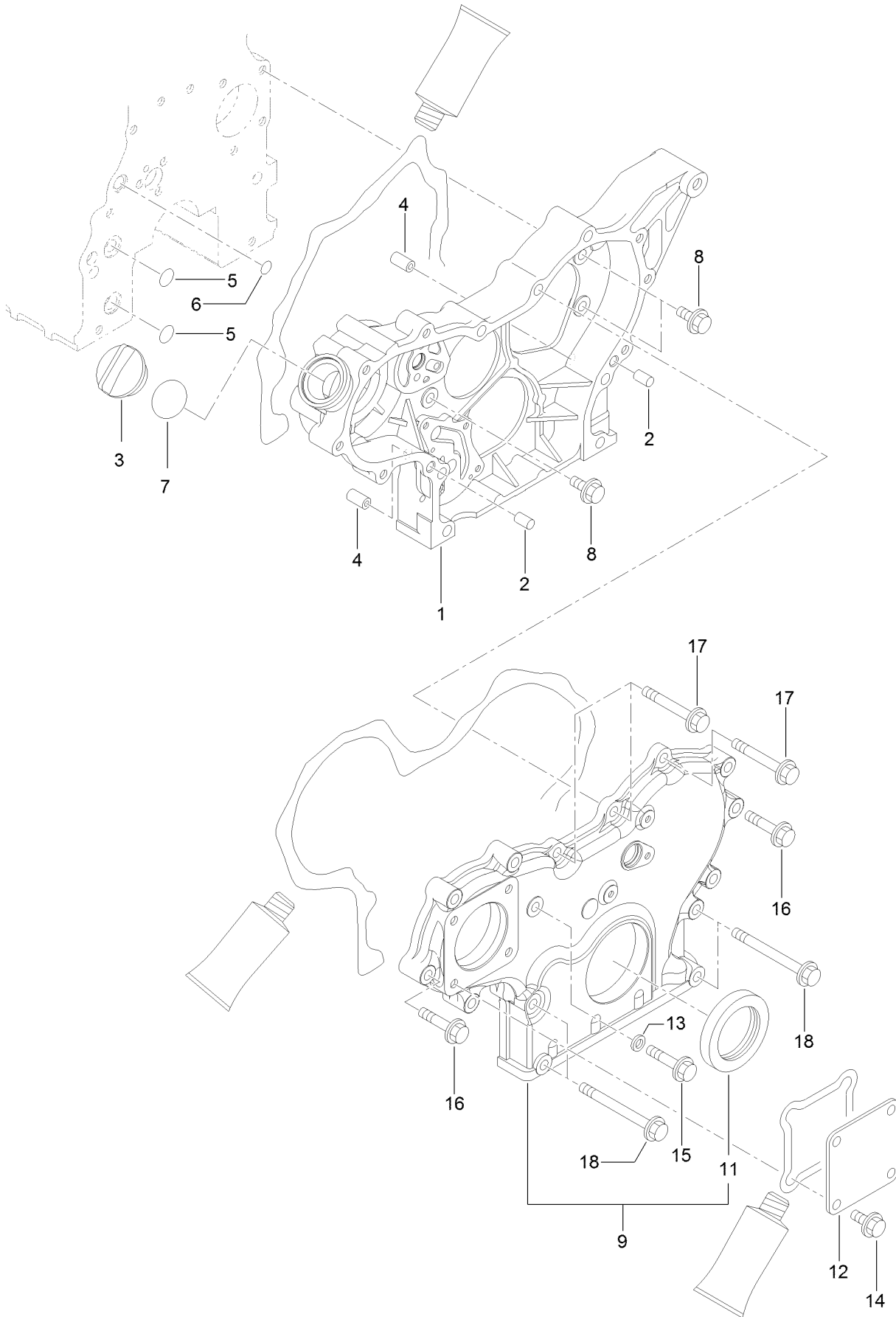
# Cylinder Block Assembly



## Cylinder Block Assembly (continued)

<i>Ref.</i>	<i>Part Number</i>	<i>Qty.</i>	<i>Description</i>	<i>Ref.</i>	<i>Part Number</i>	<i>Qty.</i>	<i>Description</i>
1	127-4717	1	Cylinder Block ASM	13	125-6973	1	Plug
4	125-6980	1	Plug	14	125-7237	1	Plug
5	125-7170	1	Plug	24	125-7010	2	Metal-Thrust
6	125-7007	8	Bolt	27	125-7006	14	Bolt
9	125-7108	1	Bushing	28	127-4716	1	Head Gasket ASM
10	125-7239	6	Plug	29	125-6981	4	Metal-Main
11	125-6969	1	Plug	32	125-7009	4	Metal-Main (0.25)
12	125-6973	2	Plug	35	125-7011	1	Metal-Thrust (0.25)

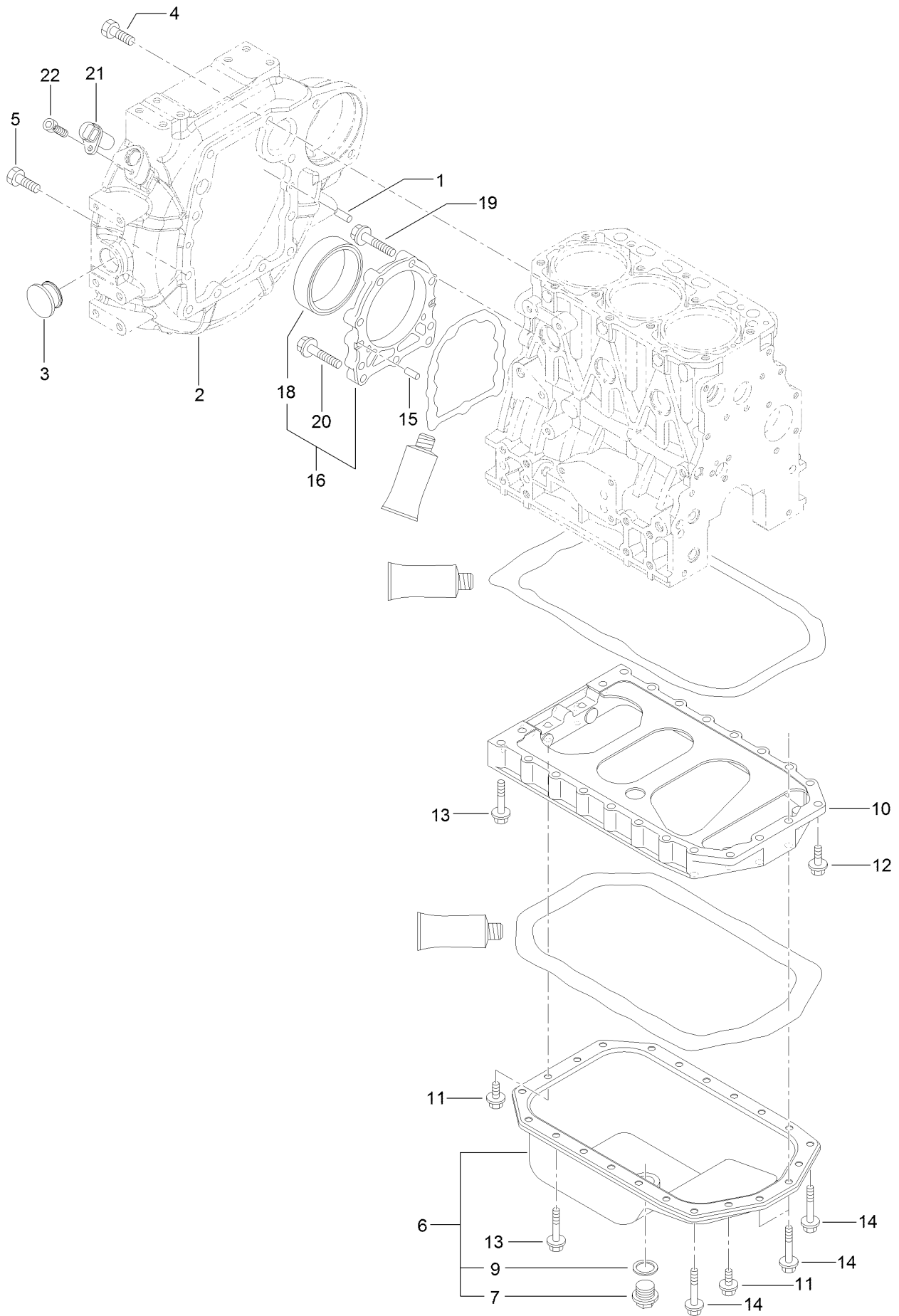
# Gear Housing Assembly



## Gear Housing Assembly (continued)

<i>Ref.</i>	<i>Part Number</i>	<i>Qty.</i>	<i>Description</i>	<i>Ref.</i>	<i>Part Number</i>	<i>Qty.</i>	<i>Description</i>
1	127-3023	1	Case-Gear	11	125-6944	1	Seal-Oil
2	125-6995	2	Pin	12	125-6977	1	Cover
3	125-6972	1	Cover-Filler	13	125-7174	1	Washer-Seal
4	125-7107	2	Pipe	14	100-6928	4	Bolt
5	125-6909	2	O-Ring	15	125-7217	1	Bolt
6	127-2973	1	O-Ring	16	125-7218	7	Bolt
7	125-7197	1	O-Ring	17	125-7222	3	Bolt
8	100-6928	3	Bolt	18	125-7224	4	Bolt
9	127-3024	1	Gearcase Cover ASM				

# Flywheel Housing and Oil Sump Assembly

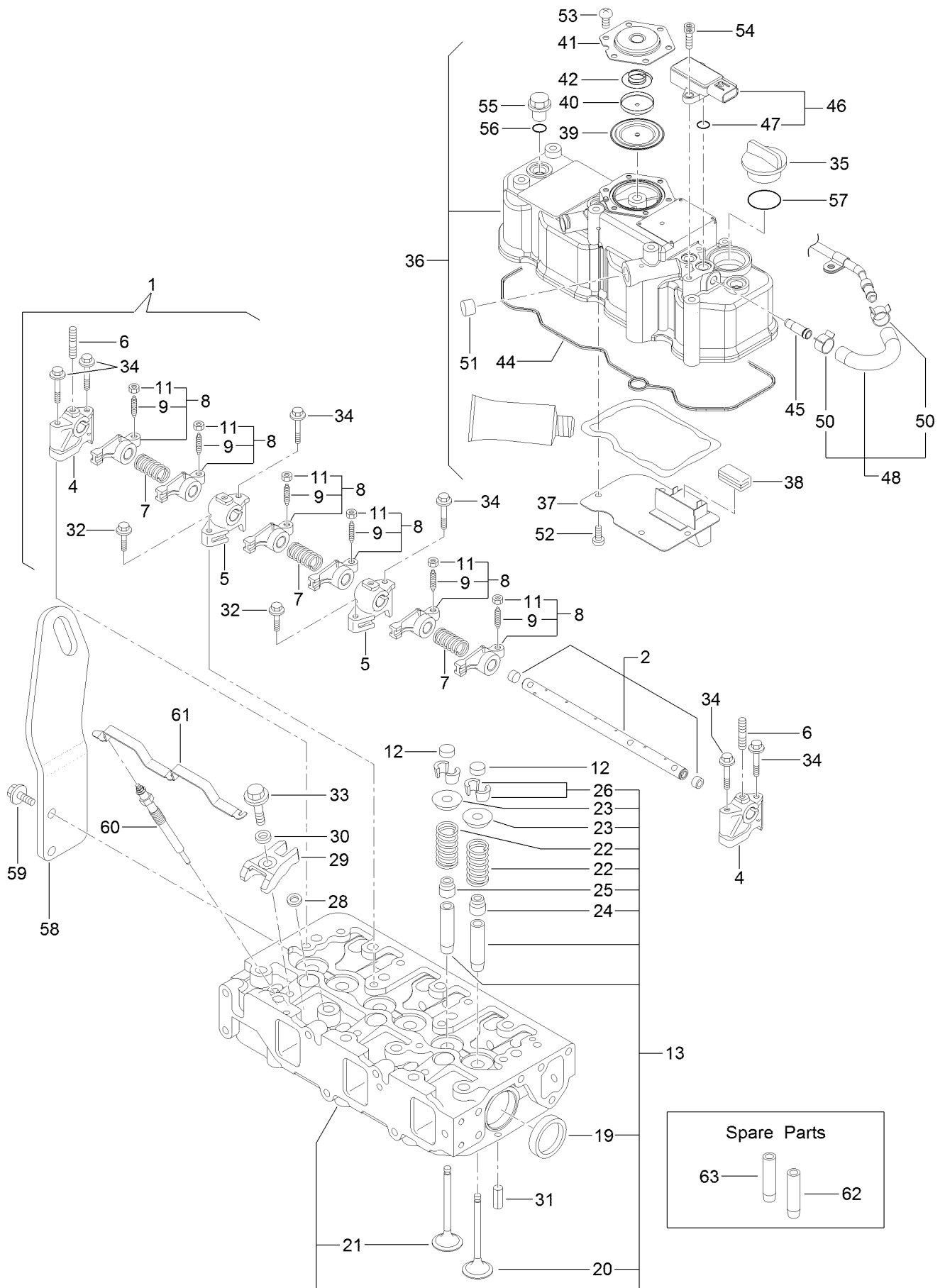




## Flywheel Housing and Oil Sump Assembly (continued)

<i>Ref.</i>	<i>Part Number</i>	<i>Qty.</i>	<i>Description</i>	<i>Ref.</i>	<i>Part Number</i>	<i>Qty.</i>	<i>Description</i>
1	125-6995	2	Pin	12	125-7215	2	Bolt
2	127-3025	1	Housing-Flywheel	13	125-7219	16	Bolt
3	125-6910	1	Cap	14	125-7220	4	Bolt
4	125-7226	6	Bolt	15	125-6995	2	Pin
5	125-7227	4	Bolt	16	125-6996	1	Case ASM
6	127-4711	1	Oil Pan ASM	18	125-7106	1	Seal-Oil
7	125-6912	1	Plug-Drain	19	125-7045	6	Bolt
9	125-7177	1	Washer-Seal	20	125-7217	3	Bolt
10	127-3756	1	Spacer	21	127-3062	1	Sensor-Rev, Flywheel
11	100-6928	4	Bolt	22	127-3184	1	Bolt

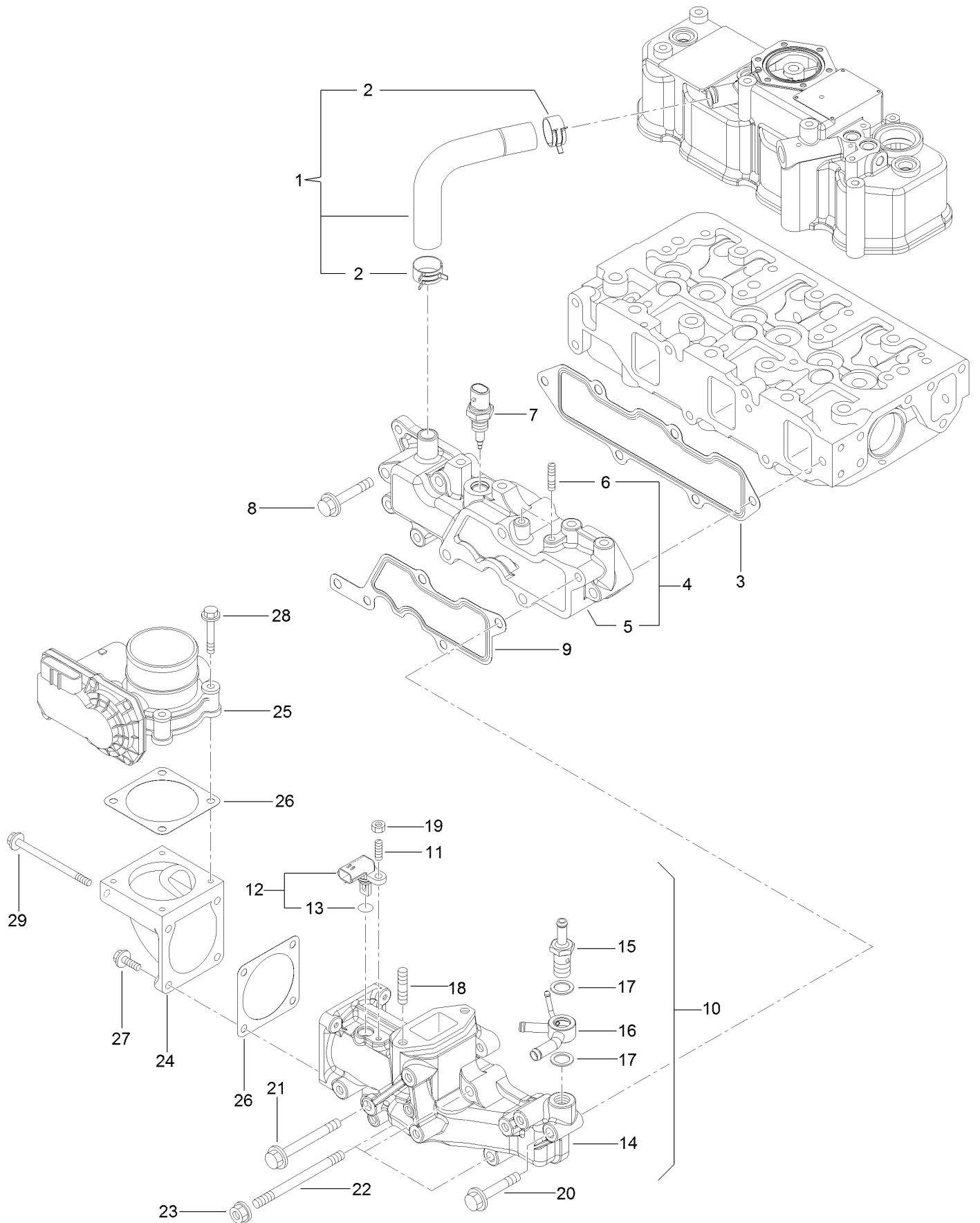
# Cylinder Head and Cover Assembly



## Cylinder Head and Cover Assembly (continued)

<i>Ref.</i>	<i>Part Number</i>	<i>Qty.</i>	<i>Description</i>	<i>Ref.</i>	<i>Part Number</i>	<i>Qty.</i>	<i>Description</i>
1	127-3757	1	Shaft ASM	36	127-4719	1	Cylinder Head Cover ASM
2	127-3758	1	Shaft	37	127-2988	1	Plate
4	127-2974	2	Support	38	125-7012	1	Baffle
5	127-2975	2	Support	39	125-6959	1	Diaphragm
6	127-3759	3	Stud	40	125-6960	1	Plate
7	127-2995	3	Spring	41	125-6961	1	Plate-Breather
8	127-2989	6	Arm-Rocker	42	125-6962	1	Spring-Diaphragm
9	125-7013	6	Screw-Adjust, Valve	44	127-3856	1	Gasket-Valve Cover
11	125-7014	6	Nut	45	127-3026	1	Joint
12	127-2996	6	Cap-Valve	46	127-3029	1	Sensor-Pressure
13	127-4720	1	Cylinder Head ASM	47	127-3032	2	O Ring-Sensor, Pressure
19	125-7240	2	Plug	48	127-3040	1	Hose ASM
20	127-2990	3	Valve	50	127-3041	2	Clip-Hose
21	127-4710	3	Valve	51	125-6913	1	Plug
22	127-3012	6	Spring	52	125-7186	4	Screw
23	127-3013	6	Retainer-Spring	53	125-7186	6	Screw
24	127-2986	3	Seal-Stem, Valve	54	127-3184	2	Bolt
25	127-3027	3	Seal-Stem, Valve	55	125-6974	3	Knob
26	127-3186	6	Pin-Cotter	56	93-0418	3	O-Ring
28	127-3021	3	Gasket-Injector	57	125-7197	1	O-Ring
29	127-3028	3	Retainer-Injector	58	130-7429	1	Lifter, Engine
30	127-2980	3	Washer-Injector	59	130-7443	2	Bolt, M8 X 20 Plated
31	125-7184	2	Pin-Spring	60	127-2991	3	Plug-Glow
32	125-7215	2	Bolt	61	127-3768	1	Connector-Plug, Glow
33	125-7217	3	Bolt	62	127-2979	3	Guide
34	125-7220	6	Bolt	63	127-2997	3	Guide-Valve
35	125-6972	1	Cover-Filler				

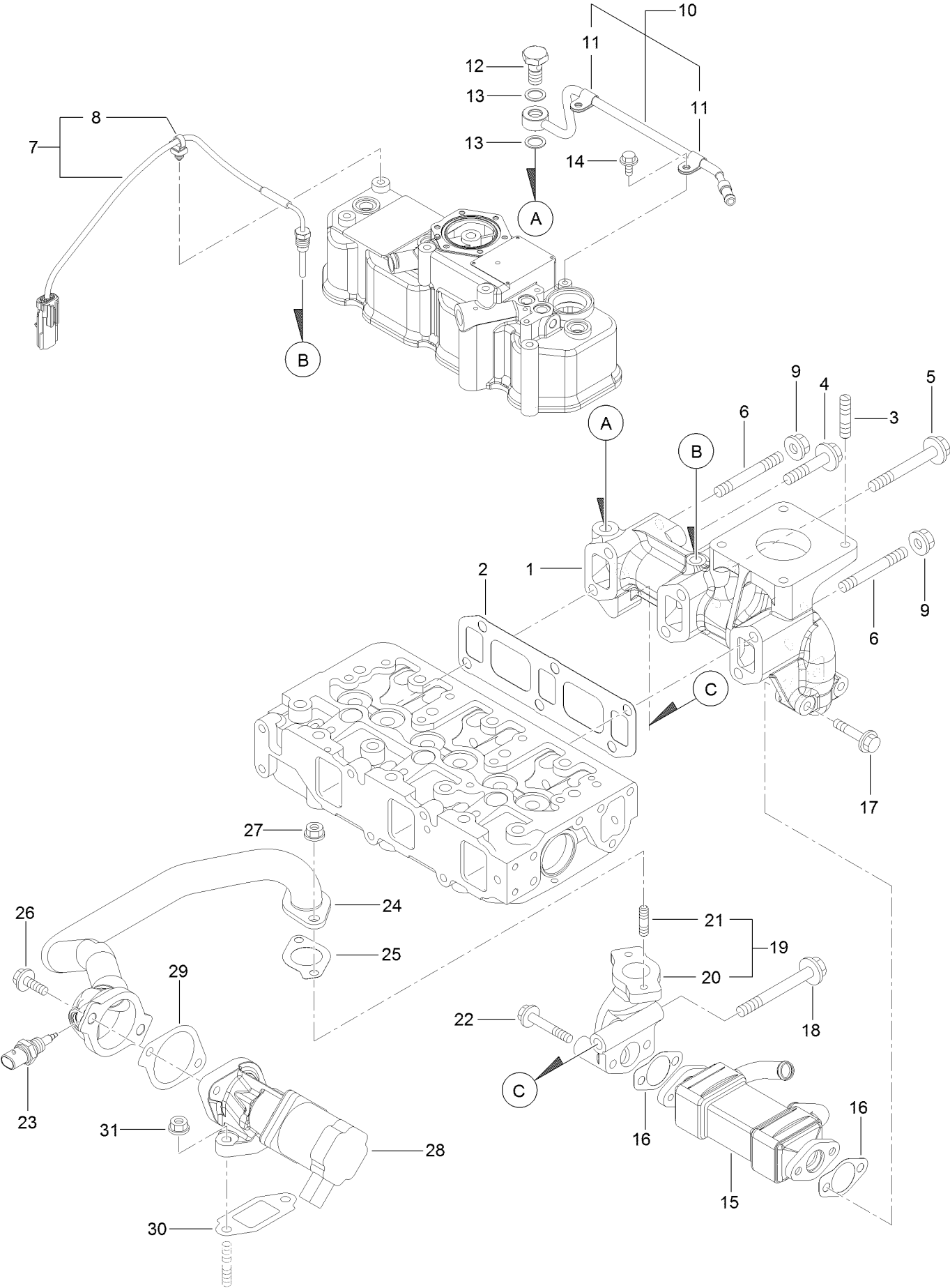
# Suction Manifold Assembly



## Suction Manifold Assembly (continued)

<i>Ref.</i>	<i>Part Number</i>	<i>Qty.</i>	<i>Description</i>	<i>Ref.</i>	<i>Part Number</i>	<i>Qty.</i>	<i>Description</i>
1	127-4704	1	Pipe	16	127-3081	1	Joint-Hose
2	125-7040	2	Clip-Hose	17	127-3166	2	Washer-Seal
3	127-3857	1	Gasket-Manifold, Intake	18	127-4774	2	Stud
4	127-4722	1	Intake Manifold ASM	19	127-4775	1	Nut
5	127-4721	1	Manifold-Intake	20	125-7220	1	Bolt
6	127-3180	2	Stud	21	127-3178	1	Bolt
7	127-3031	1	Sensor-Temp, Air	22	127-3182	3	Stud
8	125-7220	3	Bolt	23	125-7229	3	Nut
9	127-3034	1	Gasket-Collector	24	127-3035	1	Bend-Inlet
10	127-4725	1	Intake Collector ASM	25	127-3036	1	Body-Throttle
11	127-4701	1	Stud	26	127-3037	2	Gasket-Throttle
12	127-3030	1	Sensor-Temp, Air	27	125-7209	2	Bolt
13	127-3033	1	O-Ring	28	125-7211	4	Bolt
14	127-4724	1	Collector-Intake	29	127-3177	2	Bolt
15	127-3080	1	Joint-Hose				

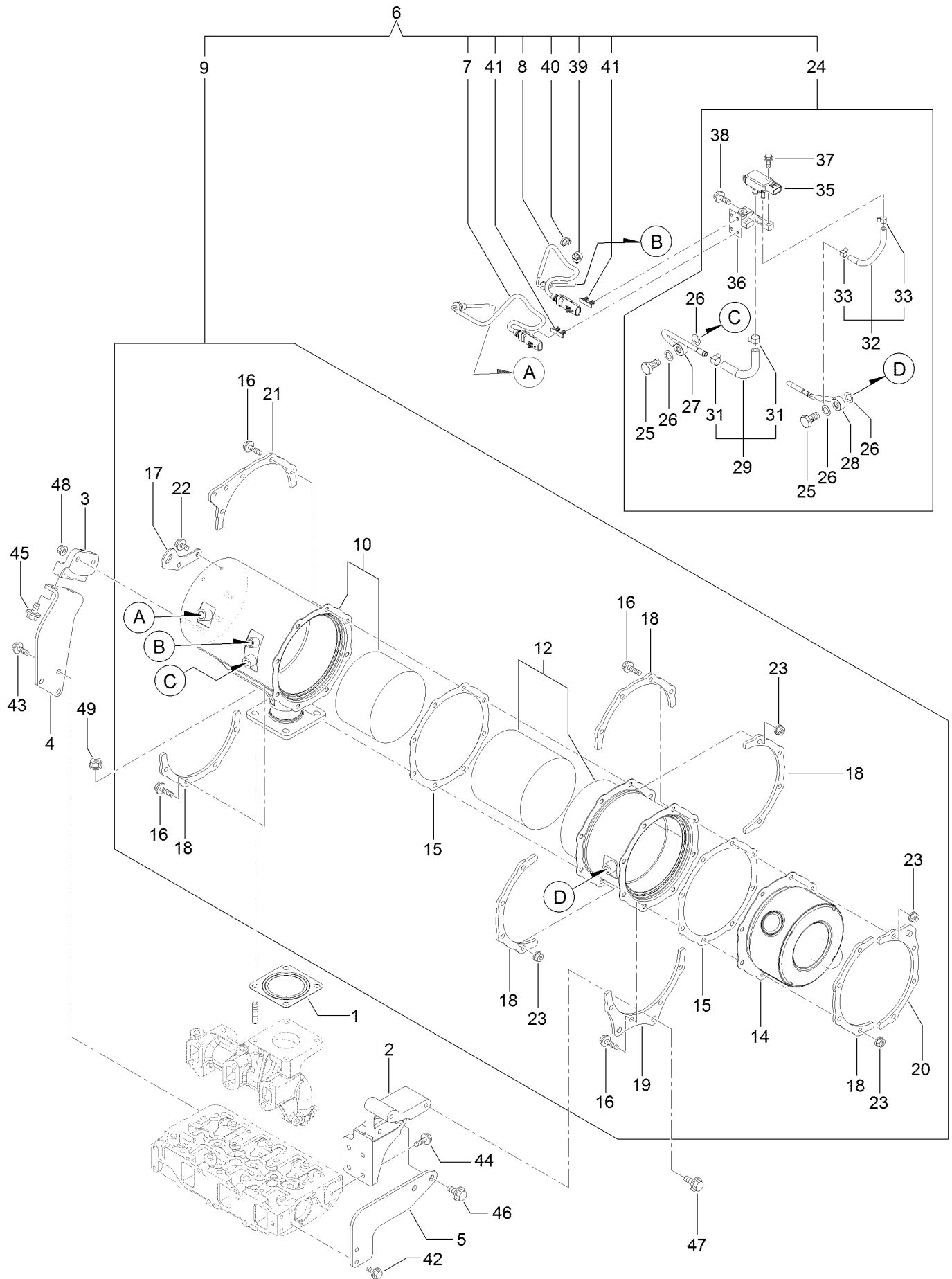
# Exhaust Manifold Assembly



## Exhaust Manifold Assembly (continued)

<i>Ref.</i>	<i>Part Number</i>	<i>Qty.</i>	<i>Description</i>	<i>Ref.</i>	<i>Part Number</i>	<i>Qty.</i>	<i>Description</i>
1	127-4726	1	Manifold-Exhaust	17	127-2976	2	Bolt
2	127-3775	1	Gasket-Manifold, Exhaust	18	127-3022	1	Bolt-Flange
3	127-2984	4	Stud	19	127-3048	1	E G R Pipe ASM
4	127-3094	1	Bolt	20	127-3049	1	Pipe-Out, E G R
5	127-3044	3	Bolt-M10	21	125-7043	2	Stud
6	127-4756	2	Stud	22	125-7220	2	Bolt
7	127-4729	1	Sensor-Temp, Exhaust	23	127-3047	1	Sensor-Gas Temp, E G R
8	127-3087	1	Band-Clip	24	127-3780	1	E G R Pipe ASM
9	125-7230	2	Nut	25	127-3016	1	Gasket
10	127-3038	1	Exhaust Pipe ASM	26	125-7215	2	Bolt
11	127-3173	2	Clamp	27	125-7229	2	Nut
12	127-3039	1	Bolt-Joint, Pipe	28	127-3781	1	Valve-E G R
13	127-3174	2	Gasket	29	127-3050	1	Gasket-Intake Valve, E G R
14	125-7206	2	Bolt	30	127-3051	1	Gasket-Out Valve, E G R
15	127-3042	1	Cooler-E G R	31	125-7229	2	Nut
16	127-3043	2	Gasket-Cooler, E G R				

# Diesel Particulate Filter Assembly

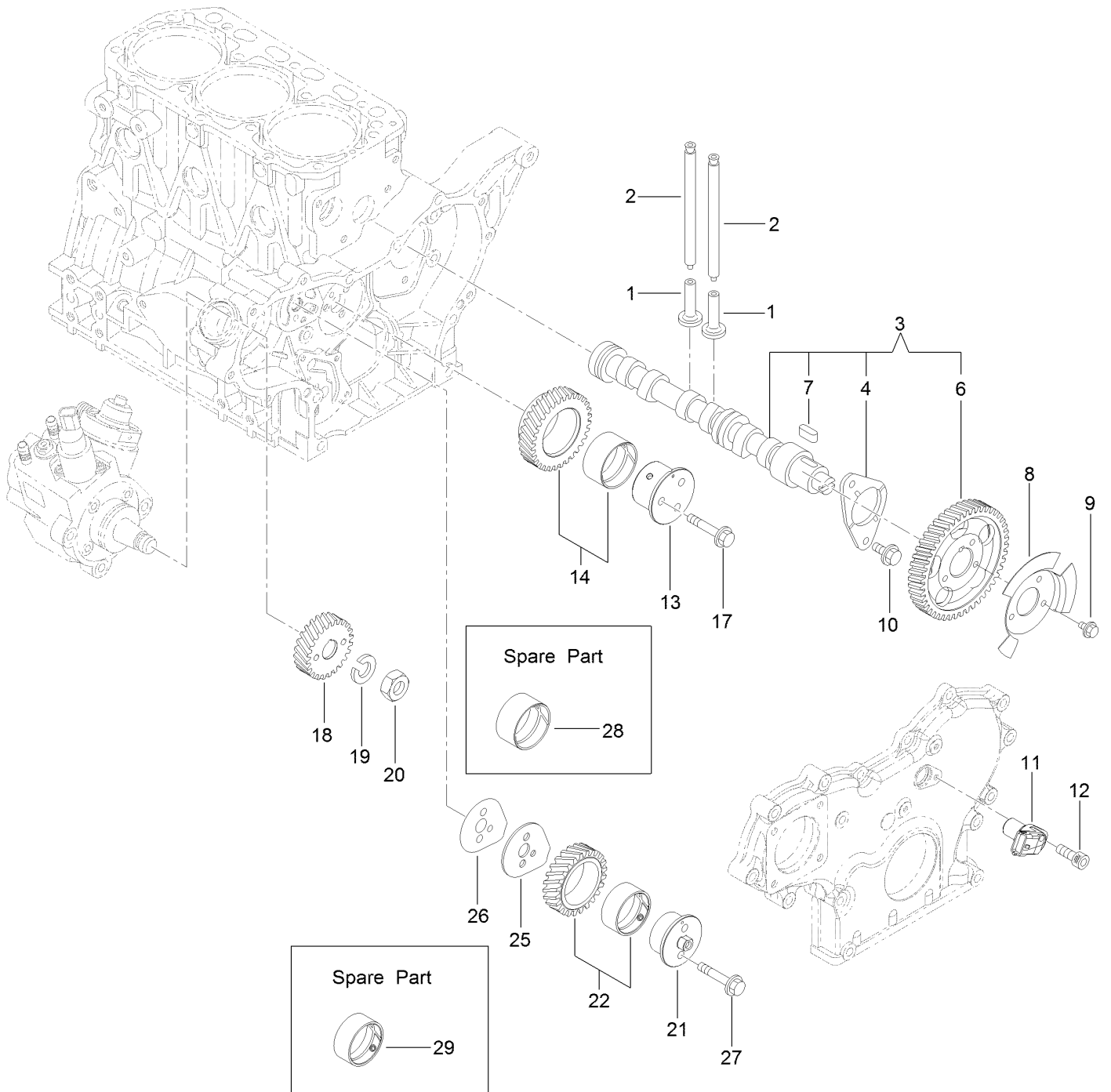




## Diesel Particulate Filter Assembly (continued)

<i>Ref.</i>	<i>Part Number</i>	<i>Qty.</i>	<i>Description</i>	<i>Ref.</i>	<i>Part Number</i>	<i>Qty.</i>	<i>Description</i>
1	127-2987	1	Gasket-Silencer	26	127-3056	4	Gasket-Sensor
2	127-4738	1	Stay-D P F	27	127-4744	1	Sensor Pipe ASM
3	127-4739	1	Stay-D P F	28	127-4745	1	Sensor Pipe ASM
4	127-4740	1	Stay-D P F	29	127-4747	1	Exhaust Hose ASM
5	127-4741	1	Stay-D P F	31	127-3057	2	Clip-Hose
6	127-4760	1	D P F Unit	32	127-4748	1	Exhaust Hose ASM
7	127-4764	1	Sensor-Temp, Exhaust	33	127-3058	2	Clip-Hose
8	127-4765	1	Sensor-Temp, Exhaust	35	127-3060	1	Sensor-Pressure
9	127-4759	1	D P F ASM	36	127-4750	1	Bracket-Sensor
10	127-4732	1	Case-D O C	37	125-7208	2	Bolt
12	127-4734	1	Case-Filter, Soot	38	125-7595	2	Bolt
14	127-3786	1	Silencer-D P F	39	127-3087	1	Band-Clip
15	127-3859	2	Gasket-D P F	40	127-3124	1	Band
16	127-3055	16	Bolt	41	127-3088	2	Clip-Connector
17	127-3788	1	Lifter-D P F	42	100-6928	2	Bolt
18	127-3789	5	Stiffener-D P F, A	43	100-6928	3	Bolt
19	127-4735	1	Stiffener-D P F, B	44	130-7443	4	Bolt, M8 X 20 Plated
20	127-3792	1	Stiffener-D P F, C	45	130-7444	2	Bolt
21	127-4736	1	Stiffener-D P F, C	46	130-7444	2	Bolt
22	125-7213	2	Bolt	47	130-7444	2	Bolt
23	125-7229	16	Nut	48	125-7229	2	Nut
24	127-4743	1	Pressure Sensor Unit	49	125-7230	4	Nut
25	127-3039	2	Bolt-Joint, Pipe				

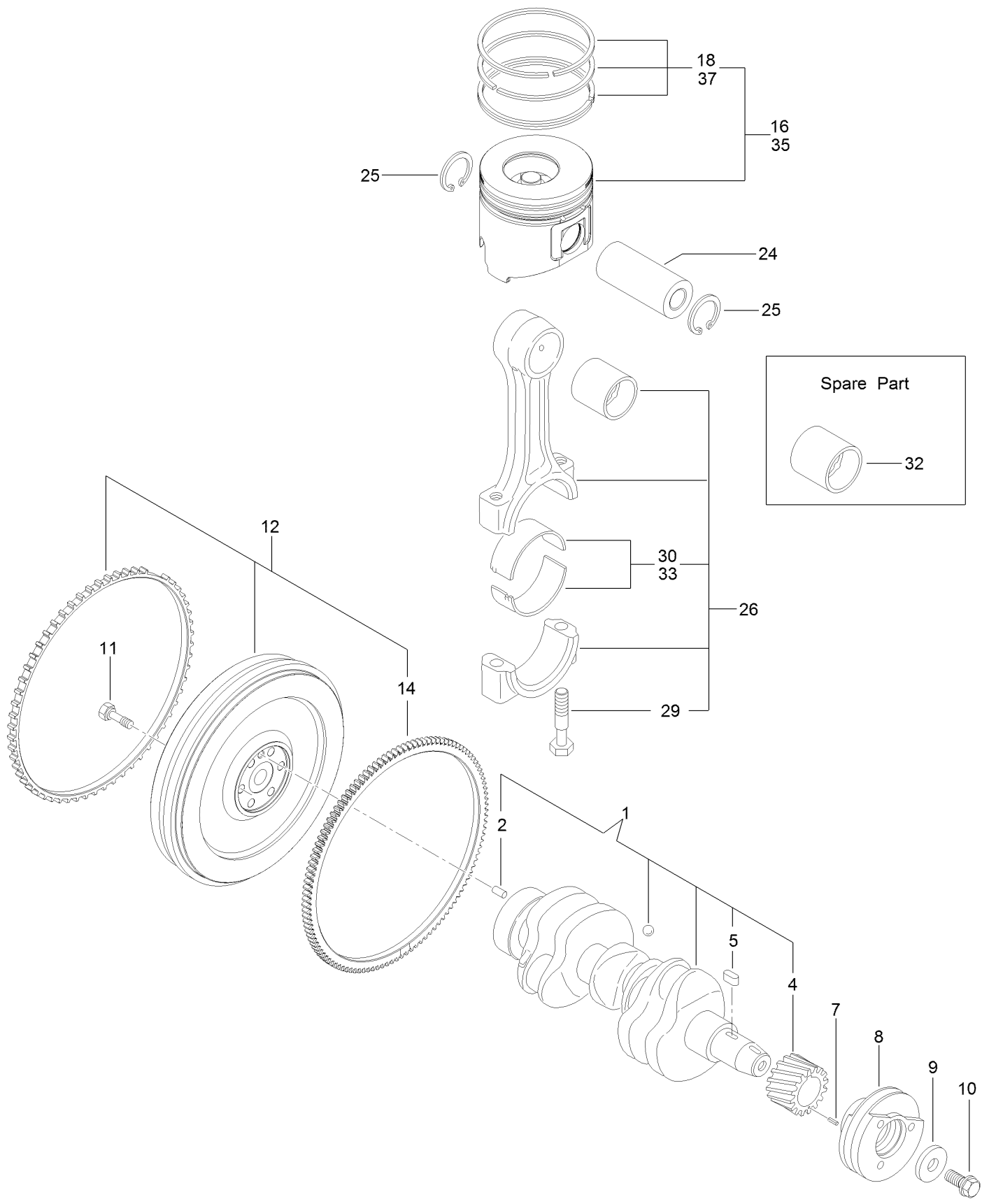
# Camshaft and Driving Gear Assembly



## Camshaft and Driving Gear Assembly (continued)

<i>Ref.</i>	<i>Part Number</i>	<i>Qty.</i>	<i>Description</i>	<i>Ref.</i>	<i>Part Number</i>	<i>Qty.</i>	<i>Description</i>
1	125-7016	6	Tappet	14	127-3066	1	Idle Gear A ASM
2	125-7017	6	Rod-Push	17	125-7219	3	Bolt
3	127-3797	1	Camshaft ASM	18	127-3070	1	Gear-Pump, Supply
4	125-7008	1	Metal-Thrust	19	127-3167	1	Washer-Spring
6	127-3052	1	Gear-Camshaft	20	127-3185	1	Nut-Lock
7	125-7185	1	Key	21	127-3064	1	Shaft-Idle, Gear B
8	127-3053	1	Pulser-Camshaft	22	127-3067	1	Idle Gear B ASM
9	125-7205	3	Bolt	25	127-3068	1	Plate-Idle, Shaft
10	125-7213	2	Bolt	26	127-3069	1	Gasket-Idle, Shaft B
11	127-3054	1	Sensor-Rev, Gear	27	125-7218	2	Bolt
12	127-3184	1	Bolt	28	125-6927	1	Bushing
13	127-3063	1	Shaft-Idle, Gear A	29	127-3065	1	Bushing

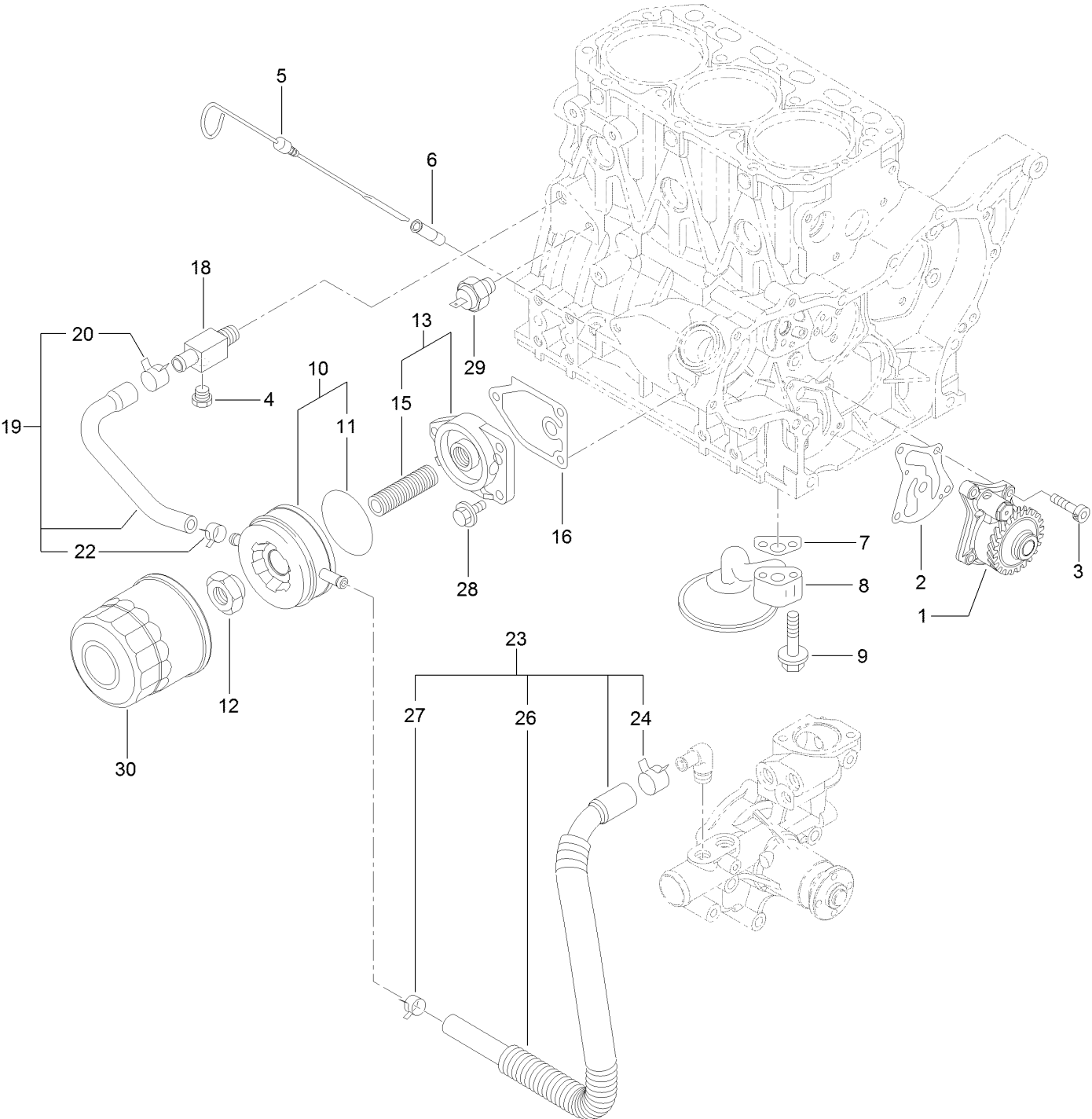
# Crankshaft and Piston Assembly



## Crankshaft and Piston Assembly (continued)

<i>Ref.</i>	<i>Part Number</i>	<i>Qty.</i>	<i>Description</i>	<i>Ref.</i>	<i>Part Number</i>	<i>Qty.</i>	<i>Description</i>
1	127-3800	1	Crankshaft ASM	16	127-4766	3	Piston ASM
2	125-6995	1	Pin	18	127-4751	3	Piston Ring ASM
4	125-6937	1	Gear	24	125-7030	3	Pin
5	125-7185	1	Key	25	125-7180	6	Ring
7	125-7182	1	Pin-Spring	26	125-7242	3	Connecting Rod ASM
8	127-3801	1	Pulley-V	29	125-6955	6	Bolt
9	125-7109	1	Washer	30	125-7018	3	Pin-Crank
10	125-6956	1	Bolt	32	125-6997	3	Pin-Piston
11	125-6951	6	Bolt	33	125-7019	3	Pin-Crank (.25)
12	127-3802	1	Flywheel ASM	35	127-4767	3	Piston ASM (0.25 O S)
14	125-6943	1	Gear	37	127-4752	3	Ring Set (0.25 O S)

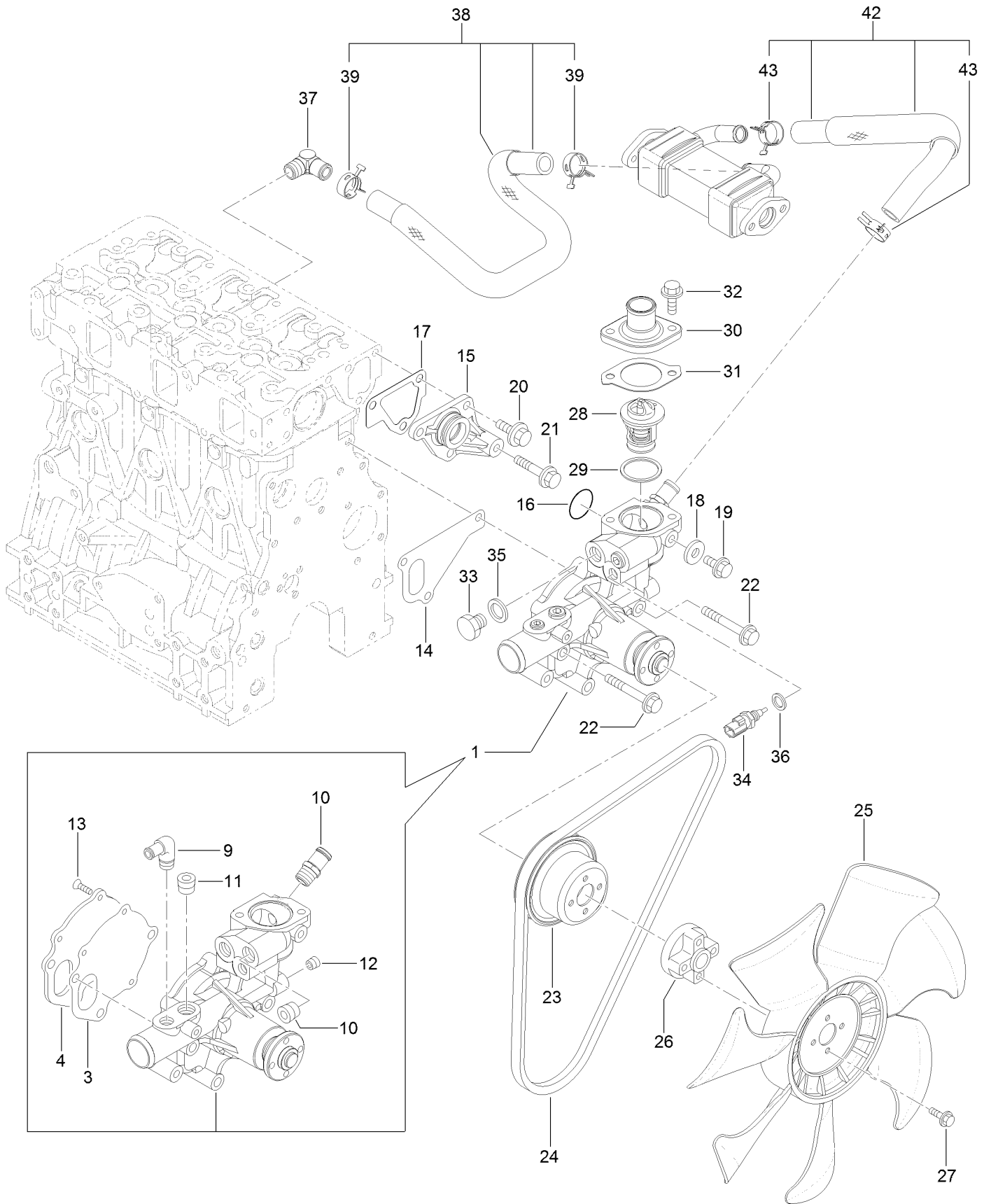
# Lubrication and Oil System Assembly



## Lubrication and Oil System Assembly (continued)

<i>Ref.</i>	<i>Part Number</i>	<i>Qty.</i>	<i>Description</i>	<i>Ref.</i>	<i>Part Number</i>	<i>Qty.</i>	<i>Description</i>
1	127-4753	1	Oil Pump ASM	15	125-7042	1	Stud
2	127-3004	1	Gasket	16	125-7024	1	Gasket
3	125-7232	4	Bolt	18	125-6990	1	Joint
4	125-7171	1	Plug-Drain	19	125-7078	1	Pipe ASM
5	125-6987	1	Dipstick	20	125-7162	1	Clip
6	125-6954	1	Guide-Dipstick	22	125-7191	1	Clamp-Hose
7	125-7022	1	Gasket	23	127-3804	1	Pipe ASM
8	127-3803	1	Pipe ASM	24	125-7162	1	Clip
9	125-7217	2	Bolt	26	127-3805	1	Tube
10	125-7074	1	Cooler ASM	27	125-7191	1	Clamp-Hose
11	125-7075	1	O-Ring	28	125-7595	3	Bolt
12	125-7041	1	Nut-Cooler, Oil	29	125-6918	1	Switch-Oil
13	125-6989	1	Bracket ASM	30	125-7025	1	Filter-Engine

# Cooling Water System Assembly

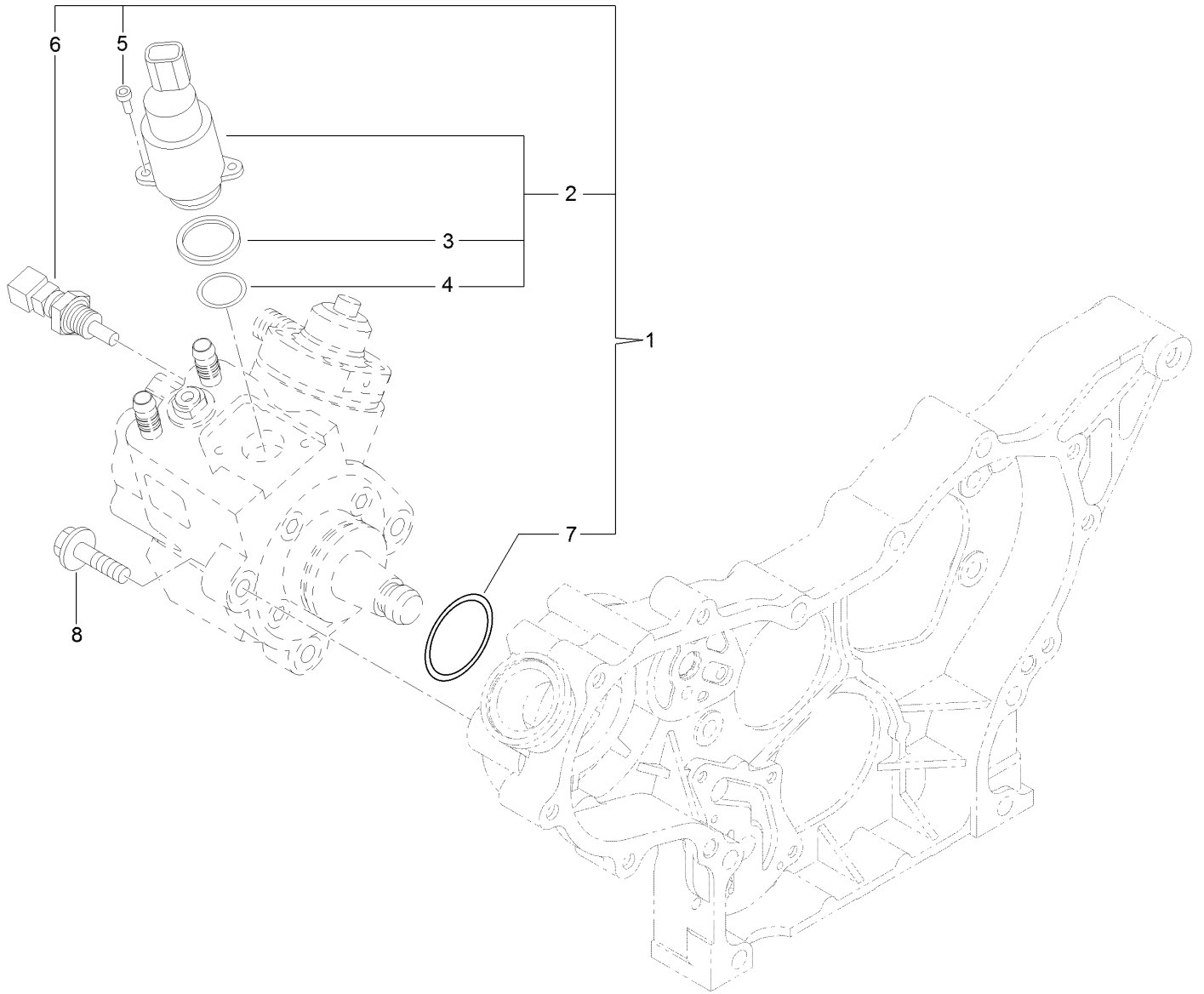




## Cooling Water System Assembly (continued)

<i>Ref.</i>	<i>Part Number</i>	<i>Qty.</i>	<i>Description</i>	<i>Ref.</i>	<i>Part Number</i>	<i>Qty.</i>	<i>Description</i>
1	130-7442	1	Water Pump ASM	24	127-4771	1	V-Belt
3	125-6998	1	Gasket	25	127-4702	1	Fan
4	125-6999	1	Plate	26	127-4768	1	Spacer
9	127-3017	1	Joint	27	125-7211	4	Bolt
10	125-7123	2	Plug	28	125-7029	1	Thermostat
11	127-3175	1	Plug	29	125-7026	1	Gasket
12	125-7195	1	Plug	30	125-7034	1	Cover
13	125-7234	3	Screw	31	125-7110	1	Gasket
14	125-7047	1	Gasket	32	125-7594	2	Bolt
15	125-6986	1	Joint	33	125-6953	1	Plug
16	125-7048	1	O-Ring	34	125-7124	1	Sensor-Thermostat, CW
17	125-6978	1	Gasket	35	125-6979	1	Gasket
18	125-7192	1	Gasket	36	125-7176	1	Washer-Seal
19	93-0362	1	Bolt	37	127-4705	1	Elbow
20	100-6928	3	Bolt	38	127-4757	1	E G R-C Pipe ASM
21	125-7219	1	Bolt	39	127-3020	2	Clip-Hose
22	125-7222	3	Bolt	42	127-3811	1	CW Pipe ASM
23	127-4712	1	V-Pulley	43	127-3020	2	Clip-Hose

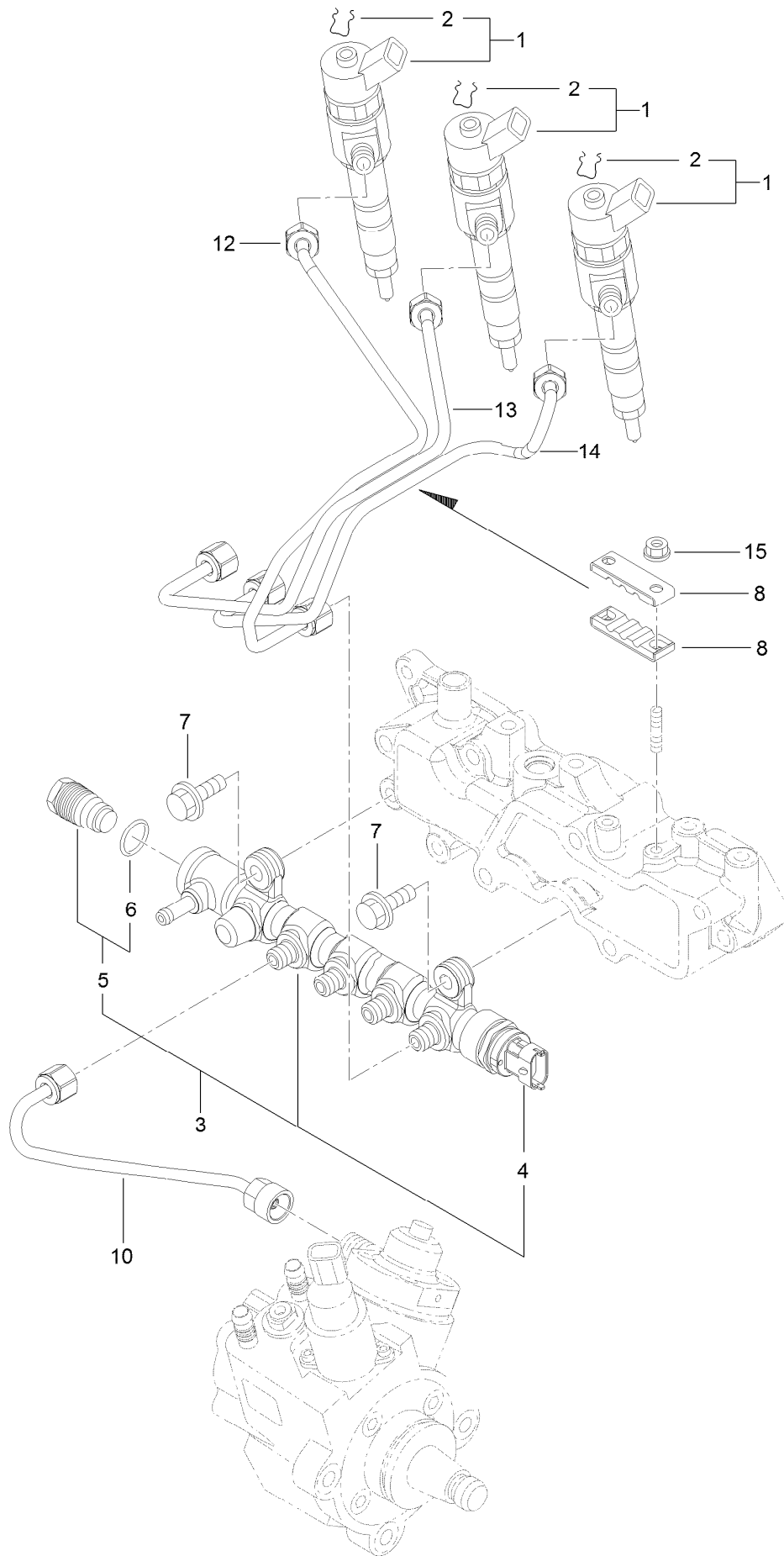
# Fuel System Assembly



## Fuel System Assembly (continued)

<i>Ref.</i>	<i>Part Number</i>	<i>Qty.</i>	<i>Description</i>	<i>Ref.</i>	<i>Part Number</i>	<i>Qty.</i>	<i>Description</i>
1	127-3073	1	Fuel Pump ASM	5	131-2107	2	Bolt
2	131-2103	1	Valve ASM	6	131-2108	1	Sensor-Temperature
3	131-2105	1	Ring-Sealing	7	127-3074	1	O-Ring
4	131-2106	1	O-Ring	8	125-7216	3	Bolt

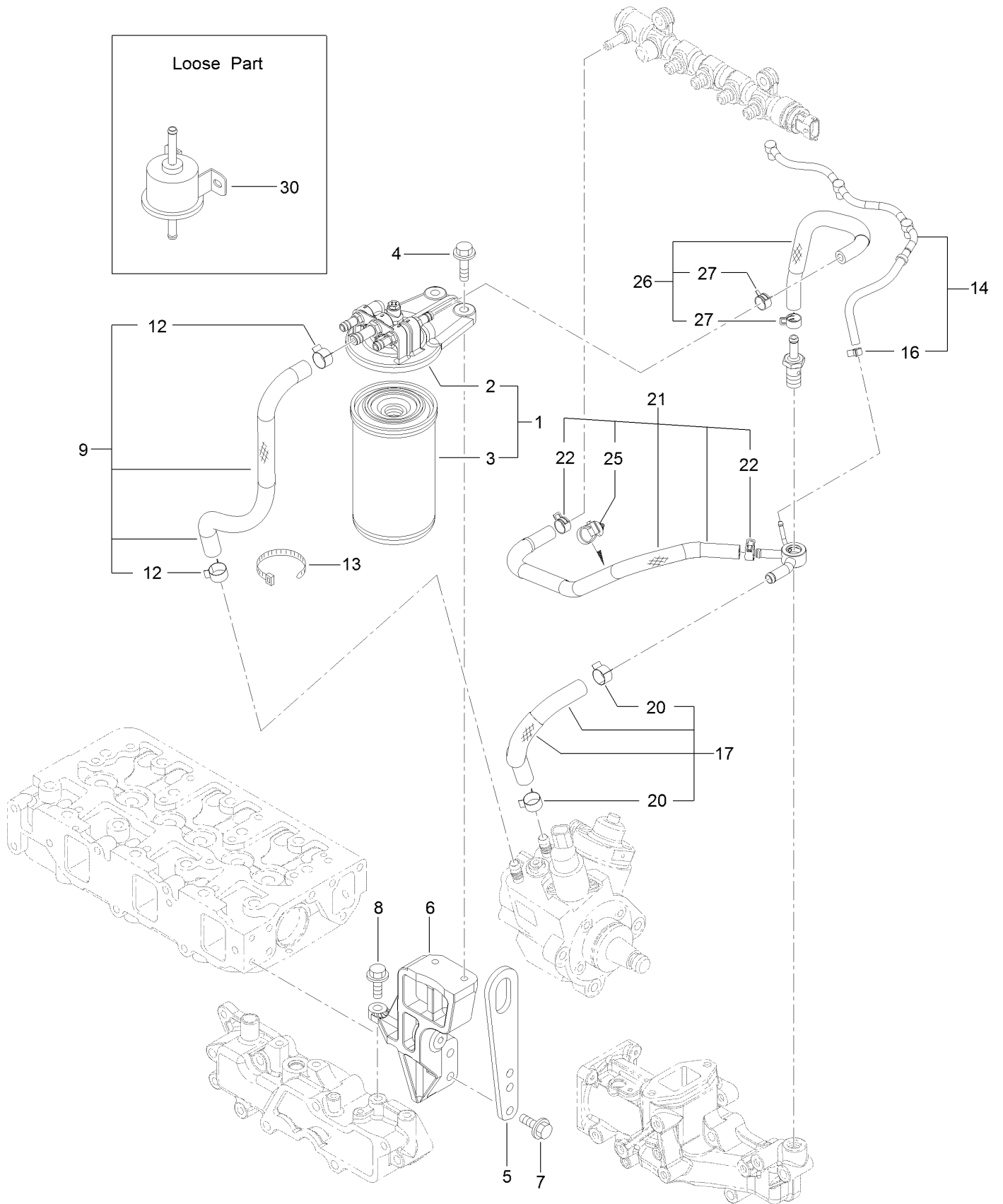
# Fuel Injection Valve Assembly



## Fuel Injection Valve Assembly (continued)

<i>Ref.</i>	<i>Part Number</i>	<i>Qty.</i>	<i>Description</i>	<i>Ref.</i>	<i>Part Number</i>	<i>Qty.</i>	<i>Description</i>
1	127-4754	3	Injector ASM	8	127-3813	2	Retainer
2	130-7430	3	Ring-Retaining	10	127-3082	1	Rail In Pipe ASM
3	127-3812	1	Rail ASM	12	127-3814	1	Injection Pipe ASM
4	130-7431	1	Sensor-Pressure, Rail	13	127-3083	1	Injection Pipe ASM
5	130-7432	1	Valve ASM	14	127-3084	1	Injection Pipe ASM
6	130-7433	1	O-Ring	15	125-7231	2	Nut
7	125-7215	2	Bolt				

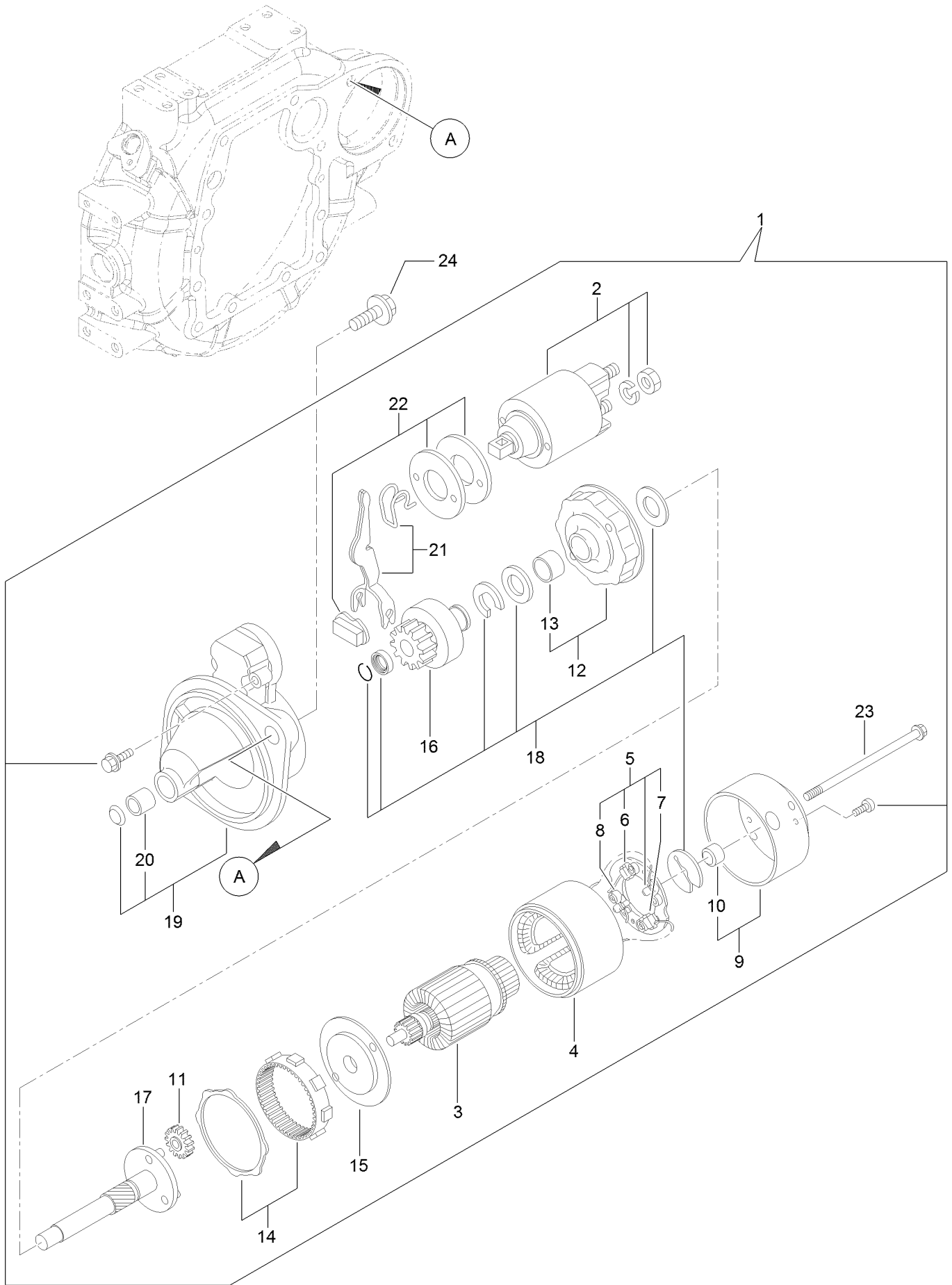
# Fuel Line Assembly



## Fuel Line Assembly (continued)

<i>Ref.</i>	<i>Part Number</i>	<i>Qty.</i>	<i>Description</i>	<i>Ref.</i>	<i>Part Number</i>	<i>Qty.</i>	<i>Description</i>
1	127-3075	1	Fuel/Oil Filter ASM	14	127-3816	1	Fuel/Oil Return Pipe ASM
2	127-3076	1	Fuel/Oil Filter Bracket ASM	16	127-3172	1	Clamp-Hose
3	125-8752	1	Filter-Fuel/Oil	17	127-3078	1	Fuel Pipe ASM
4	125-7216	2	Bolt	20	125-7191	2	Clamp-Hose
5	125-7111	1	Lifter	21	127-3817	1	Fuel Pipe ASM
6	127-3815	1	Filter Bracket ASM	22	127-2950	2	Clip-Hose
7	125-7215	2	Bolt	25	127-3087	1	Band-Clip
8	125-7215	1	Bolt	26	127-3079	1	Fuel Pipe ASM
9	127-3077	1	Fuel Pipe ASM	27	127-2950	2	Clip-Hose
12	125-7191	2	Clamp-Hose	30	127-3008	1	Fuel Feed Pump ASM
13	127-2981	1	Band				

# Starting Motor Assembly

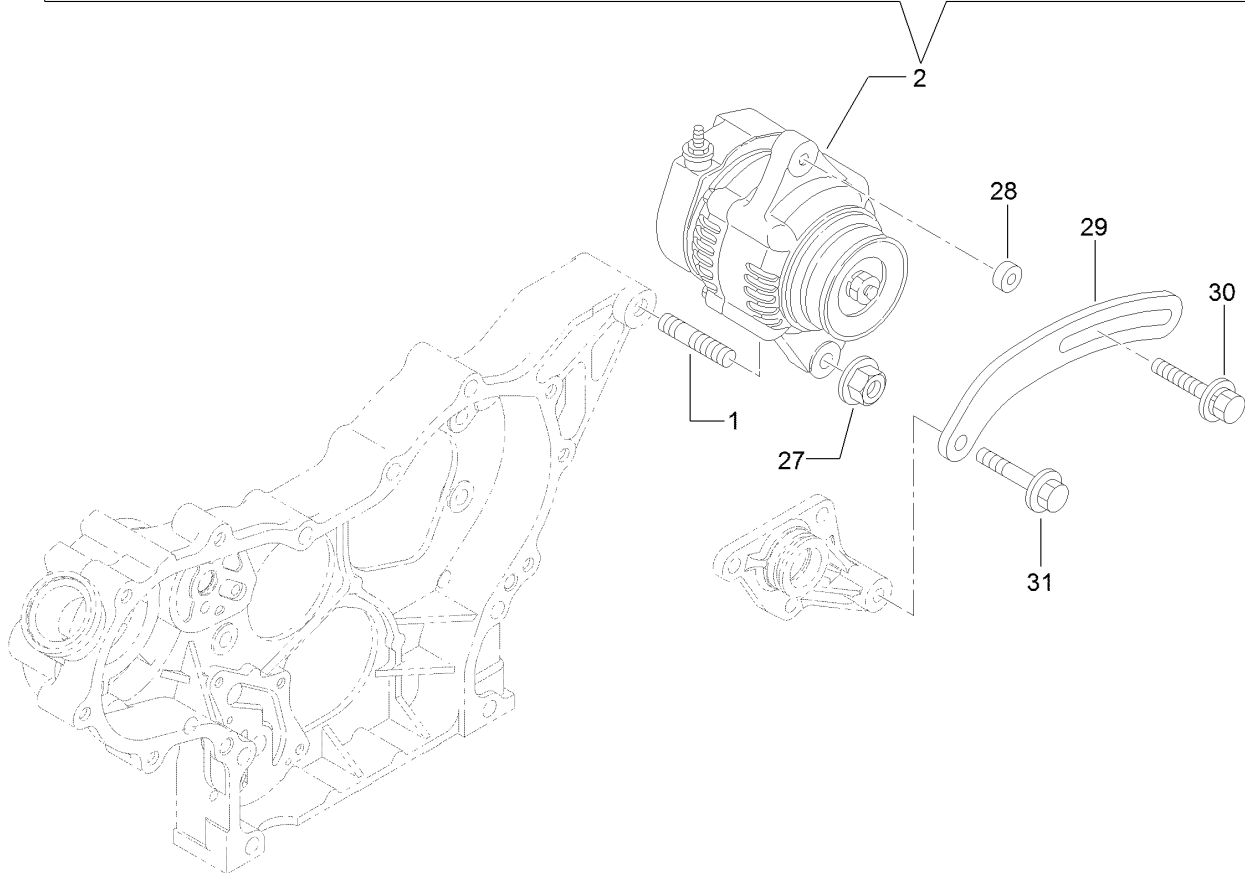
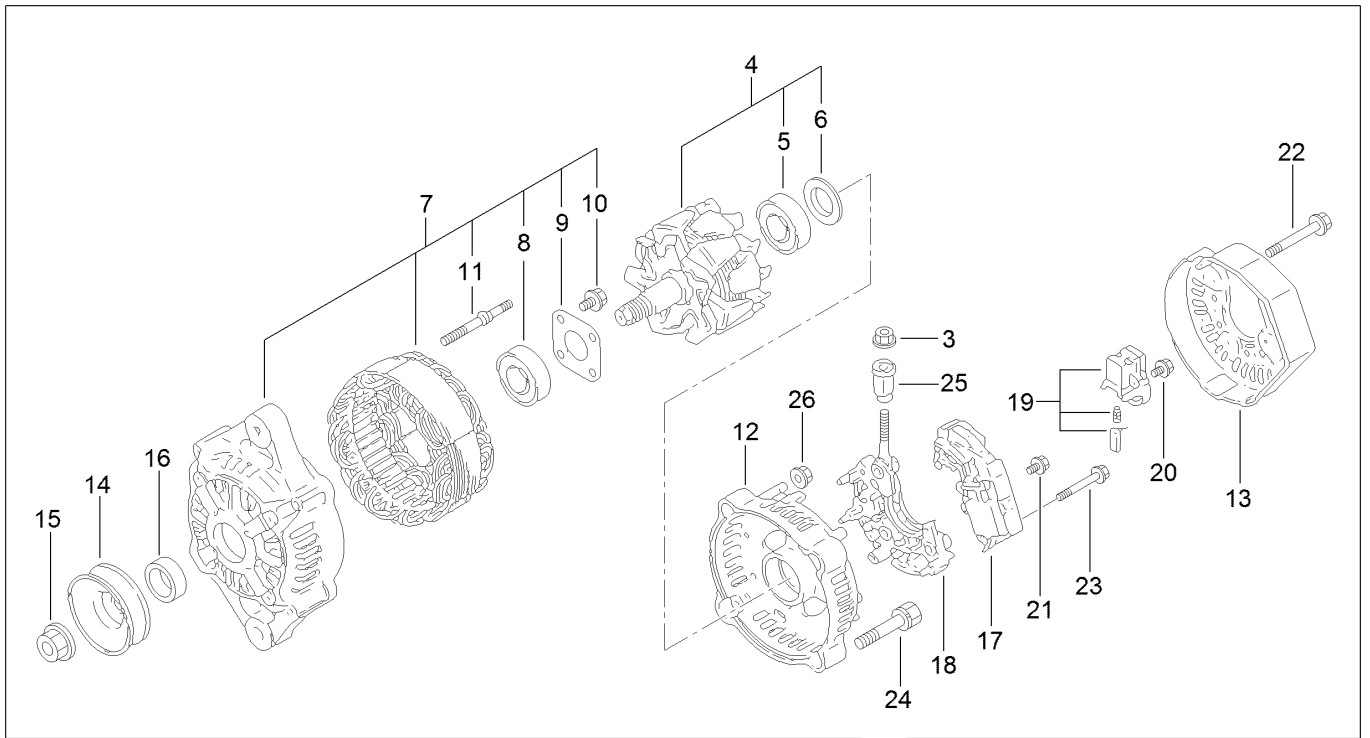




## Starting Motor Assembly (continued)

<i>Ref.</i>	<i>Part Number</i>	<i>Qty.</i>	<i>Description</i>	<i>Ref.</i>	<i>Part Number</i>	<i>Qty.</i>	<i>Description</i>
1	127-3818	1	Starter ASM	13	127-3830	1	Bracket
2	127-3819	1	Switch ASM	14	127-3831	1	Gear
3	127-3820	1	Armature ASM	15	127-3832	1	Bracket
4	127-3821	1	Yoke ASM	16	127-3833	1	Pinion ASM
5	127-3822	1	Brush Holder ASM	17	127-3834	1	Shaft
6	127-3823	2	Brush	18	127-3835	1	Washer Set
7	127-3824	1	Brush Set	19	127-3836	1	Case ASM
8	127-3825	4	Spring	20	127-3837	1	Metal-Starter
9	127-3826	1	Cover ASM	21	127-3838	1	Lever Set
10	127-3827	1	Metal	22	127-3839	1	Dust Cover ASM
11	127-3828	3	Gear	23	127-3840	2	Bolt-Through
12	127-3829	1	Bracket	24	125-7225	2	Bolt

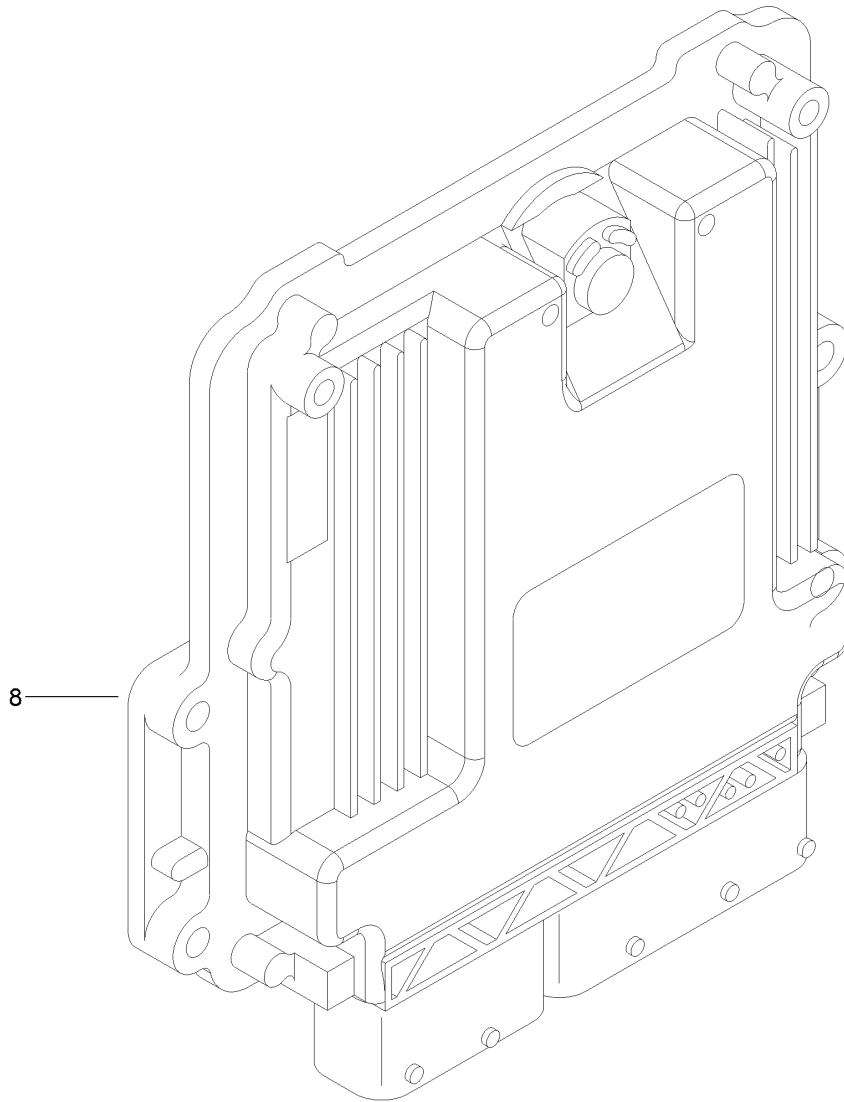
# Generator Assembly



## Generator Assembly (continued)

<i>Ref.</i>	<i>Part Number</i>	<i>Qty.</i>	<i>Description</i>	<i>Ref.</i>	<i>Part Number</i>	<i>Qty.</i>	<i>Description</i>
1	127-3011	1	Stud	17	127-3847	1	Regulator ASM
2	127-3841	1	Generator	18	127-3848	1	Holder
3	127-3190	1	Nut	19	127-2993	1	Holder
4	127-3843	1	Rotor ASM	20	127-2965	6	Screw
5	127-2983	1	Bearing-Ball	21	127-2966	1	Screw
6	127-2962	1	Cover	22	127-2967	3	Bolt
7	127-3844	1	Frame ASM	23	127-2968	2	Screw
8	127-2958	1	Bearing-Ball	24	127-2969	2	Bolt
9	127-2959	1	Plate-Retainer	25	127-2970	1	Bushing-Insulation
10	127-2960	4	Screw	26	127-2971	2	Nut
11	127-2961	2	Stud	27	125-7230	1	Nut
12	127-3845	1	Frame	28	125-6947	1	Spacer
13	127-3846	1	Cover	29	127-2977	1	Adjuster
14	127-2954	1	Pulley	30	125-7134	1	Bolt
15	127-2955	1	Nut	31	125-7219	1	Bolt
16	127-2957	1	Collar				

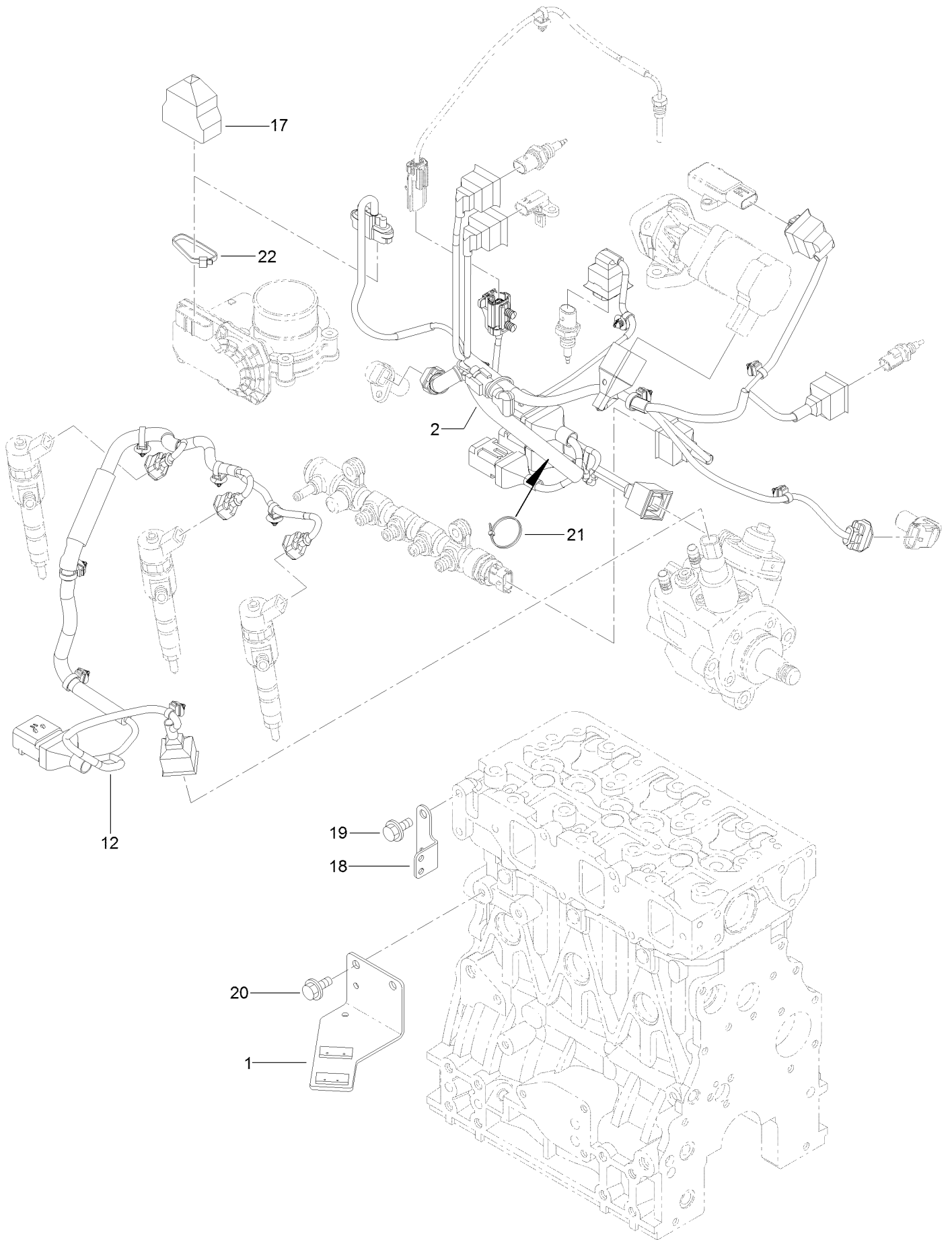
# Electronic Control Unit Assembly



# Electronic Control Unit Assembly (continued)

<i>Ref.</i>	<i>Part Number</i>	<i>Qty.</i>	<i>Description</i>
8	127-3085	1	E C U ASM

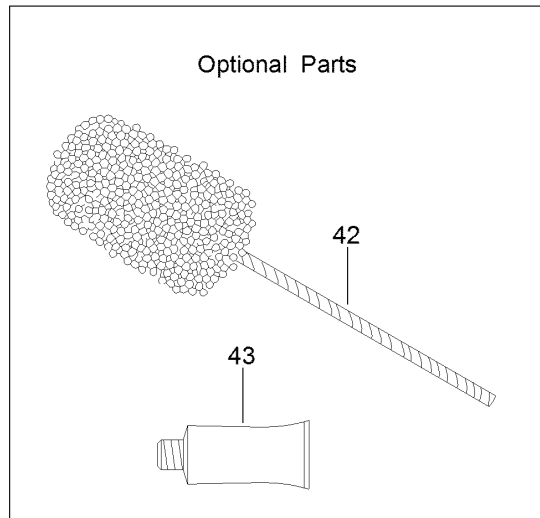
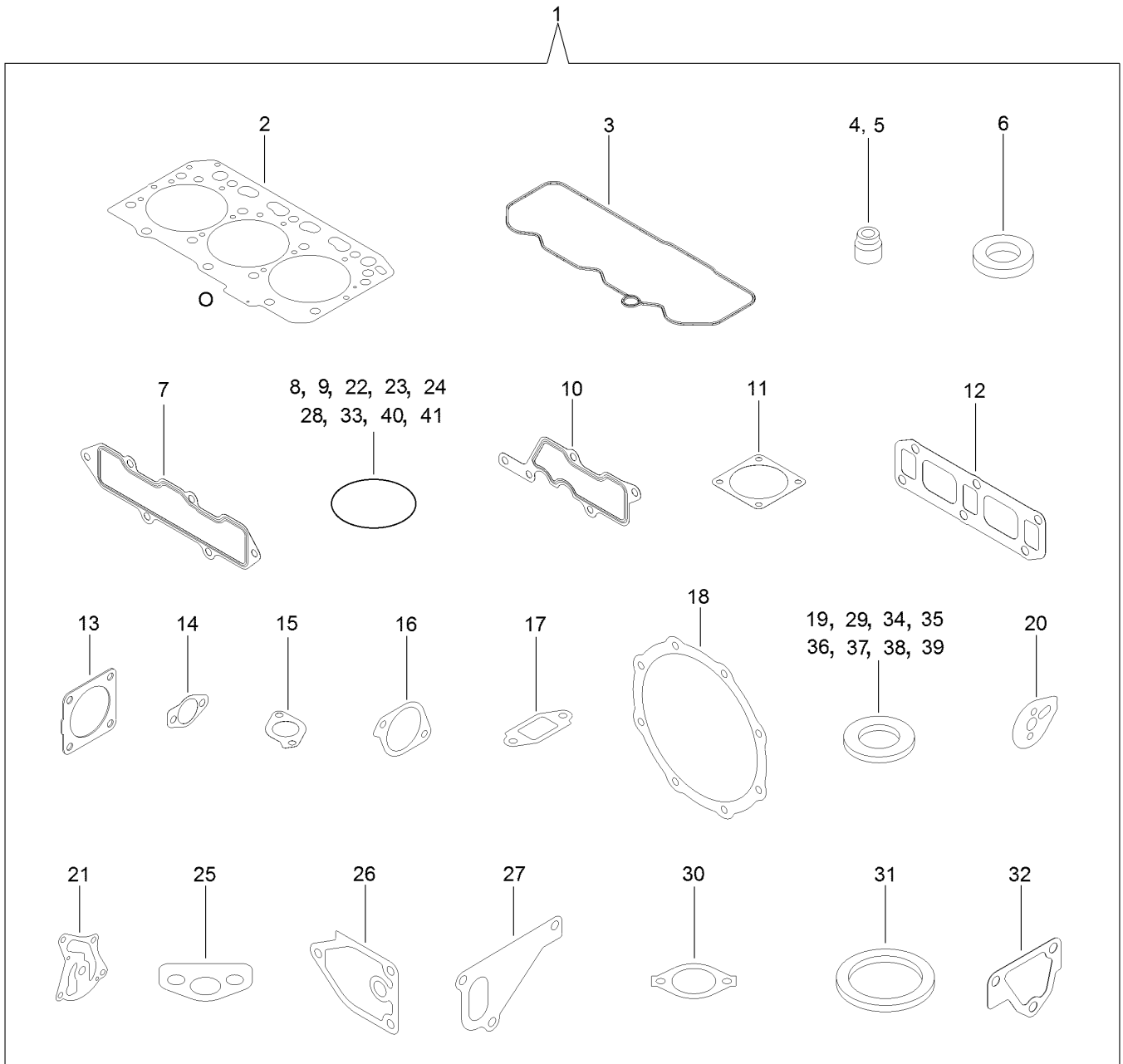
# Electric Parts Assembly



## Electric Parts Assembly (continued)

<i>Ref.</i>	<i>Part Number</i>	<i>Qty.</i>	<i>Description</i>	<i>Ref.</i>	<i>Part Number</i>	<i>Qty.</i>	<i>Description</i>
1	130-7436	1	Bracket-Connector	19	93-0362	2	Bolt
2	130-7437	1	Harness B-Engine, E C O	20	93-0362	2	Bolt
12	130-7438	1	Harness	21	127-3187	1	Band
17	130-7439	1	Boot-Type, Cap	22	127-3188	1	Band
18	127-3090	1	Bracket-Harness				

# Gasket Set





## Gasket Set (continued)

<i>Ref.</i>	<i>Part Number</i>	<i>Qty.</i>	<i>Description</i>	<i>Ref.</i>	<i>Part Number</i>	<i>Qty.</i>	<i>Description</i>
1	130-7440	1	Packing (Gasket Set)	23	127-2973	1	O-Ring
2	127-4716	1	Head Gasket ASM	24	125-7075	1	O-Ring
3	127-3856	1	Gasket-Valve Cover	25	125-7022	1	Gasket
4	127-2986	3	Seal-Stem, Valve	26	125-7024	1	Gasket
5	127-3027	3	Seal-Stem, Valve	27	125-7047	1	Gasket
6	127-3021	3	Gasket-Injector	28	125-7048	1	O-Ring
7	127-3857	1	Gasket-Manifold, Intake	29	125-6979	1	Gasket
8	127-3032	2	O Ring-Sensor, Pressure	30	125-7110	1	Gasket
9	127-3033	1	O-Ring	31	125-7026	1	Gasket
10	127-3034	1	Gasket-Collector	32	125-6978	1	Gasket
11	127-3037	2	Gasket-Throttle	33	127-3074	1	O-Ring
12	127-3775	1	Gasket-Manifold, Exhaust	34	125-7174	1	Washer-Seal
13	127-2987	1	Gasket-Silencer	35	125-7176	1	Washer-Seal
14	127-3043	2	Gasket-Cooler, E G R	36	127-3166	2	Washer-Seal
15	127-3016	1	Gasket	37	125-7177	1	Washer-Seal
16	127-3050	1	Gasket-Intake Valve, E G R	38	125-7192	1	Gasket
17	127-3051	1	Gasket-Out Valve, E G R	39	127-3174	2	Gasket
18	127-3859	2	Gasket-D P F	40	93-0418	3	O-Ring
19	127-3056	4	Gasket-Sensor	41	125-7197	2	O-Ring
20	127-3069	1	Gasket-Idle, Shaft B	42	127-3000	1	Hone
21	127-3004	1	Gasket	43	125-7248	1	Gasket-Liquid
22	125-6909	2	O-Ring				

# Attachments and Accessories

## For 25403 Pro Sneak 365 Vibratory Plow

<b>Product Name</b>	<b>Model/Part</b>
Premium All Season Hydraulic Fluid (5 Gallon Pail) .....	108-1178
Premium All Purpose Grease (Tube) .....	108-1190
Premium All Season Gear Lube (Quart) .....	108-1590
Premium Heavy Duty All Season Gear Lube (Quart) .....	108-1591
Filter-air .....	108-3810
5in Air Cleaner Safety Element .....	114-4057
Premium Engine Oil 10w30 (55 Gallon Drum) .....	121-6392
Premium Engine Oil 10w30 (5 Gallon Pail) .....	121-6393
Engine Oil Filter .....	125-7025
Fuel Filter .....	125-8752
P40 Vibratory Plow .....	25402E
24in Crumber Kit .....	25404E
24in Boom .....	25406E
36in Boom .....	25408E
Trencher Drive .....	25411E
23in Tire Kit .....	25414E
26in Tire Kit .....	25416E
22in Reel Carrier .....	25419E
Hydra Borer .....	25421E
23in Dual Tire Kit .....	25423E
26in Dual Tire Kit .....	25424E
Wheel Weight Assembly .....	25426E

## For 25403A Pro Sneak 365 Vibratory Plow

<b>Product Name</b>	<b>Model/Part</b>
P40 Vibratory Plow .....	25402
24in Crumber Kit .....	25404
24in Boom for Trencher .....	25406
36in Boom for Trencher .....	25408
Trencher Drive .....	25411
23in Tire Kit .....	25414
26in Tire Kit .....	25416
Hydra Borer .....	25418
22in Reel Carrier .....	25419
23in Dual Tire Kit .....	25423
26in Dual Tire Kit .....	25424

**Notes:**



**Count on it.**