



## Recycler® Kit

Groundsmaster® 3200 or 3300 Series Traction Unit with 60in or 72in Side Discharge Rotary Mower

Model No. 31976

Model No. 31978

### Installation Instructions

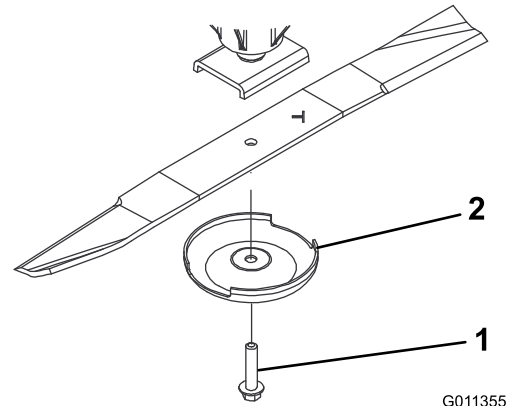
# 1

## Preparing the Machine

No Parts Required

### Procedure

1. Park the machine on a level surface.
2. Engage the parking brake.
3. Raise the mower deck to the TRANSPORT position; refer to your *Operator's Manual*.
4. Shut off the engine and remove the key.
5. Rotate the mower deck to the SERVICE position; refer to your *Operator's Manual*.



G011355

g011355

Figure 1

1. Blade bolt

2. Anti-scalp cup

# 2

## Removing the Blades

No Parts Required

### Procedure

1. Grasp the end of the blade using a rag or thickly-padded glove.
2. Remove the blade bolt, anti-scalp cup, and blade from the spindle shaft (Figure 1).

Retain the parts for later installation.



# 3

## Removing the Existing Baffles

No Parts Required

### Procedure

**Note:** In the steps below, the bolts are threaded into the mower deck. Remove the nuts before removing the bolts.

1. Remove the 2 flange nuts holding the baffles in place (Figure 2).
2. Remove the 2 bolts and 2 nuts from the adjustable flow baffle (Figure 2).
3. Remove the 3 bolts and 3 nuts holding the baffles in place (Figure 2).

Retain the baffles and hardware for use when changing back to side-discharge mode.

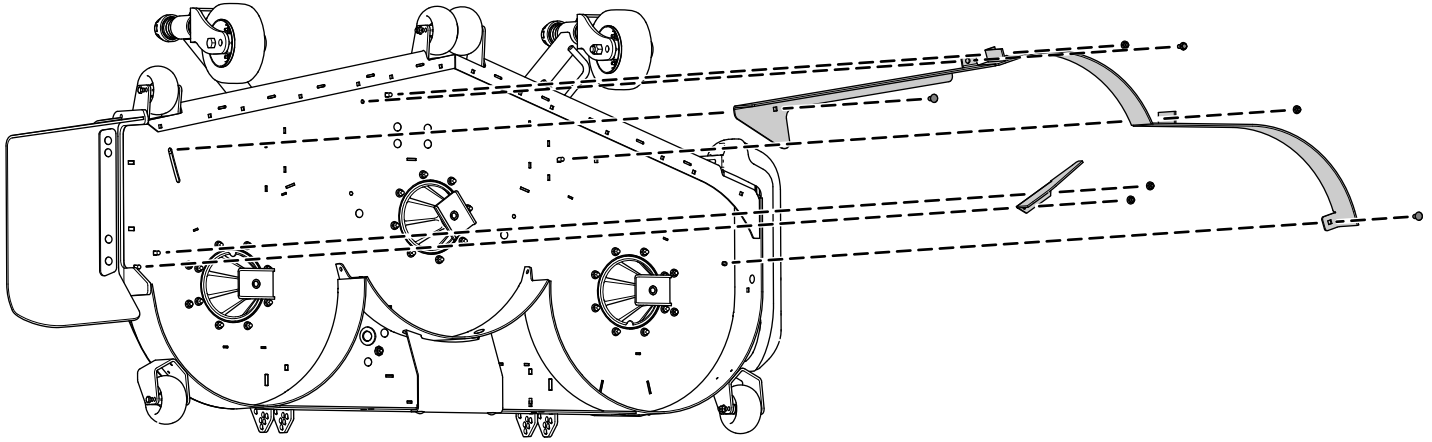


Figure 2

g309006

# 4

## Installing the Discharge Cover Plate

### Parts needed for this procedure:

1	Discharge cover plate
1	Carriage bolt (5/16 x 7/8 inch)
1	Flange nut (5/16 inch)
2	Carriage bolt (3/8 x 1-1/4 inches)
2	Locknut (3/8 inch)

### Procedure

1. Secure the discharge cover plate to the outside of the mounting bracket using 2 carriage bolts (3/8 x 1-1/4 inches) and 2 locknuts (3/8 inch) as shown in [Figure 3](#).
2. Secure the tab to the inside of the mower deck using 1 carriage bolt (5/16 x 7/8 inch) and 1 flange nut (5/16 inch) as shown in [Figure 3](#).

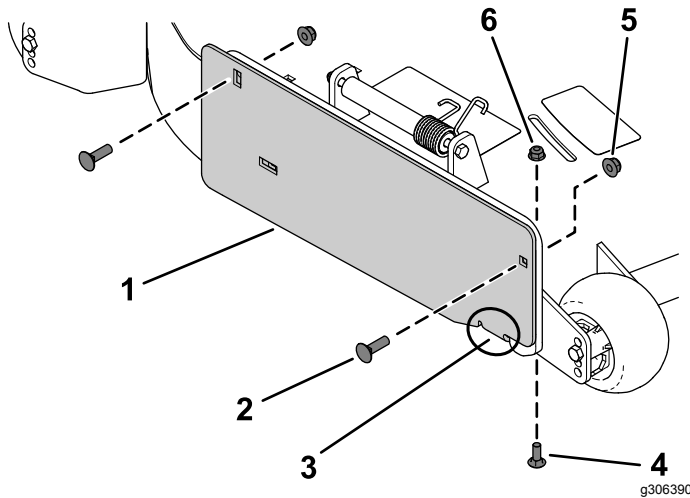


Figure 3

- |                                       |                                    |
|---------------------------------------|------------------------------------|
| 1. Discharge cover plate              | 4. Carriage bolt (5/16 x 7/8 inch) |
| 2. Carriage bolt (3/8 x 1-1/4 inches) | 5. Locknut (3/8 inch)              |
| 3. Tab on the discharge cover plate   | 6. Flange nut (5/16 inch)          |

# 5

## Installing the Recycler Baffles

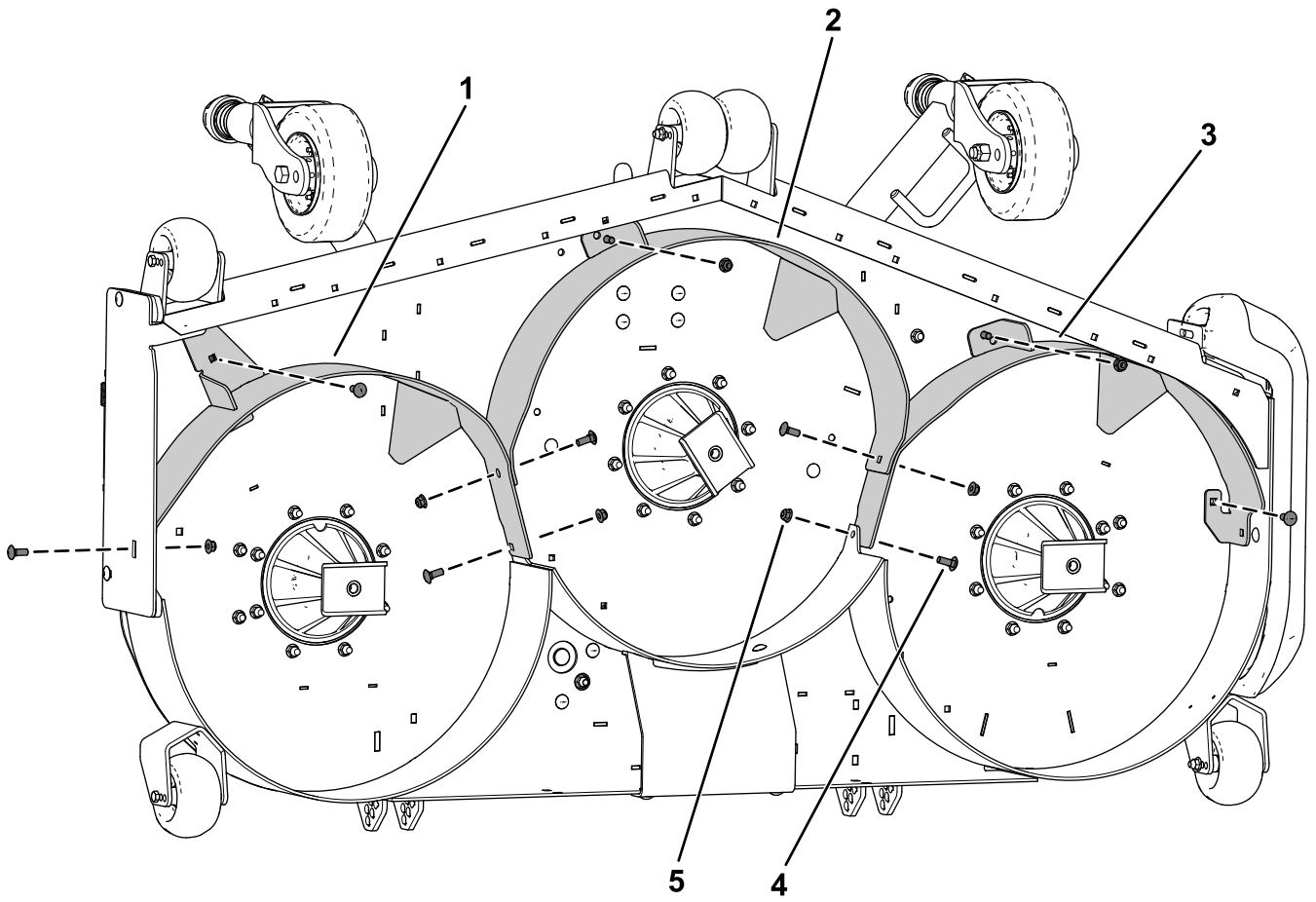
### Parts needed for this procedure:

1	Left baffle
1	Center baffle
1	Right baffle
8	Carriage bolt (3/8 x 1 inch)
8	Locknut (3/8 inch)

### Procedure

**Note:** Loosely install the baffles to align the baffles with all the holes in the mower deck ([Figure 4](#)).

1. Position the right baffle into the mower deck.
2. Loosely install the right baffle to the discharge plate using 1 carriage bolt (3/8 x 1 inch) and 1 locknut (3/8 inch) as shown in [Figure 4](#).
3. Loosely install the right baffle to the mower deck using 2 carriage bolts (3/8 x 1 inch) and 2 locknuts (3/8 inch) as shown in [Figure 4](#).
4. Position the left baffle into the mower deck.
5. Loosely install the left baffle to the mower deck using 2 carriage bolts (3/8 x 1 inch) and 2 locknuts (3/8 inch) as shown in [Figure 4](#).
6. Position the center baffle into the mower deck.
7. Loosely install the center baffle to the right baffle and left baffle using 2 carriage bolts (3/8 x 1 inch) and 2 locknuts (3/8 inch) as shown in [Figure 4](#).
8. Loosely install the center baffle to the mower deck using 1 carriage bolt (3/8 x 1 inch) and 1 locknut (3/8 inch) as shown in [Figure 4](#).



g309005

**Figure 4**

- 1. Right baffle
- 2. Center baffle
- 3. Left baffle
- 4. Carriage bolt (3/8 x 1 inch)
- 5. Locknut (3/8 inch)

# 6

## Installing the Kickers

### For 72-inch Mower Decks Only

Parts needed for this procedure:

2	Kicker
4	Carriage bolt (5/16 x 7/8 inch)
4	Flange nut (5/16 inch)

### Procedure

1. Remove the 4 plugs from the mower deck (Figure 5).

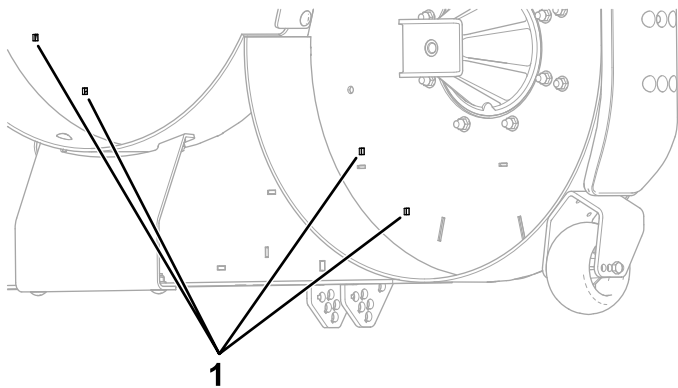


Figure 5

g309133

1. Plugs

2. Secure the 2 kickers to the mower deck using 4 carriage bolts (5/16 x 7/8 inch) and 4 flange nuts (5/16 inch) as shown in Figure 6.

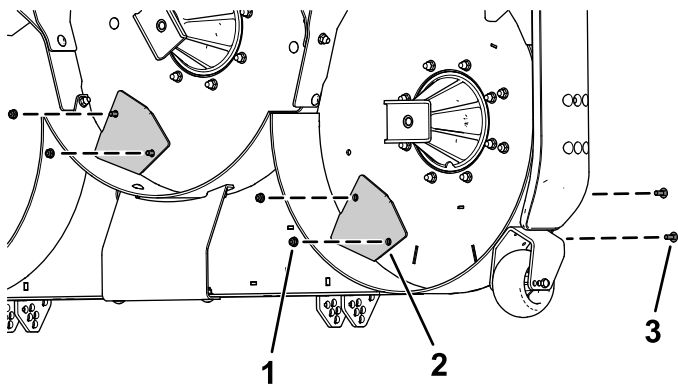


Figure 6

g309132

1. Flange nut (5/16 inch)
2. Kicker
3. Carriage bolt (5/16 x 7/8 inch)

# 7

## Installing the Blades

No Parts Required

### Procedure

Install the blade, anti-scalp cup, and blade bolt and tighten the blade bolt to 115 to 149 N·m (85 to 110 ft-lb) as shown in Figure 7.

**Important:** The curved part of the blade must point toward the inside of the mower deck to ensure proper cutting.

**Note:** After striking a foreign object, torque all spindle-pulley nuts to 115 to 149 N·m (85 to 110 ft-lb).

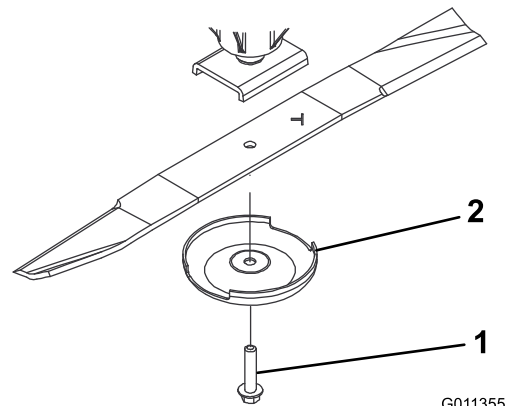


Figure 7

G011355

g011355

1. Blade bolt
2. Anti-scalp cup

# 8

## Tightening the Hardware

No Parts Required

### Procedure

1. Tighten all nuts and bolts for the baffles.
2. Rotate the blades and ensure that there is clearance between the blades and the baffles. If there is not, loosen the baffle(s) until there is clearance and then secure the baffle(s).

# 9

## Completing the Installation

No Parts Required

### Procedure

Rotate the mower deck to the MOWING position; refer to your *Operator's Manual*.

**Notes:**



**Count on it.**