



Recycler® Kit

Groundsmaster® 3200 or 3300 Series Traction Unit with 60in or 72in Rear Discharge Rotary Mower

Model No. 31977

Model No. 31979

Installation Instructions



Preparing the Machine

No Parts Required

Procedure

1. Park the machine on a level surface.
2. Engage the parking brake.
3. Raise the mower deck to the **TRANSPORT** position; refer to your *Operator's Manual*.
4. Shut off the engine and remove the key.
5. Rotate the mower deck to the **SERVICE** position; refer to your *Operator's Manual*.



2

Removing the Plugs

No Parts Required

Procedure

60-inch Deck:

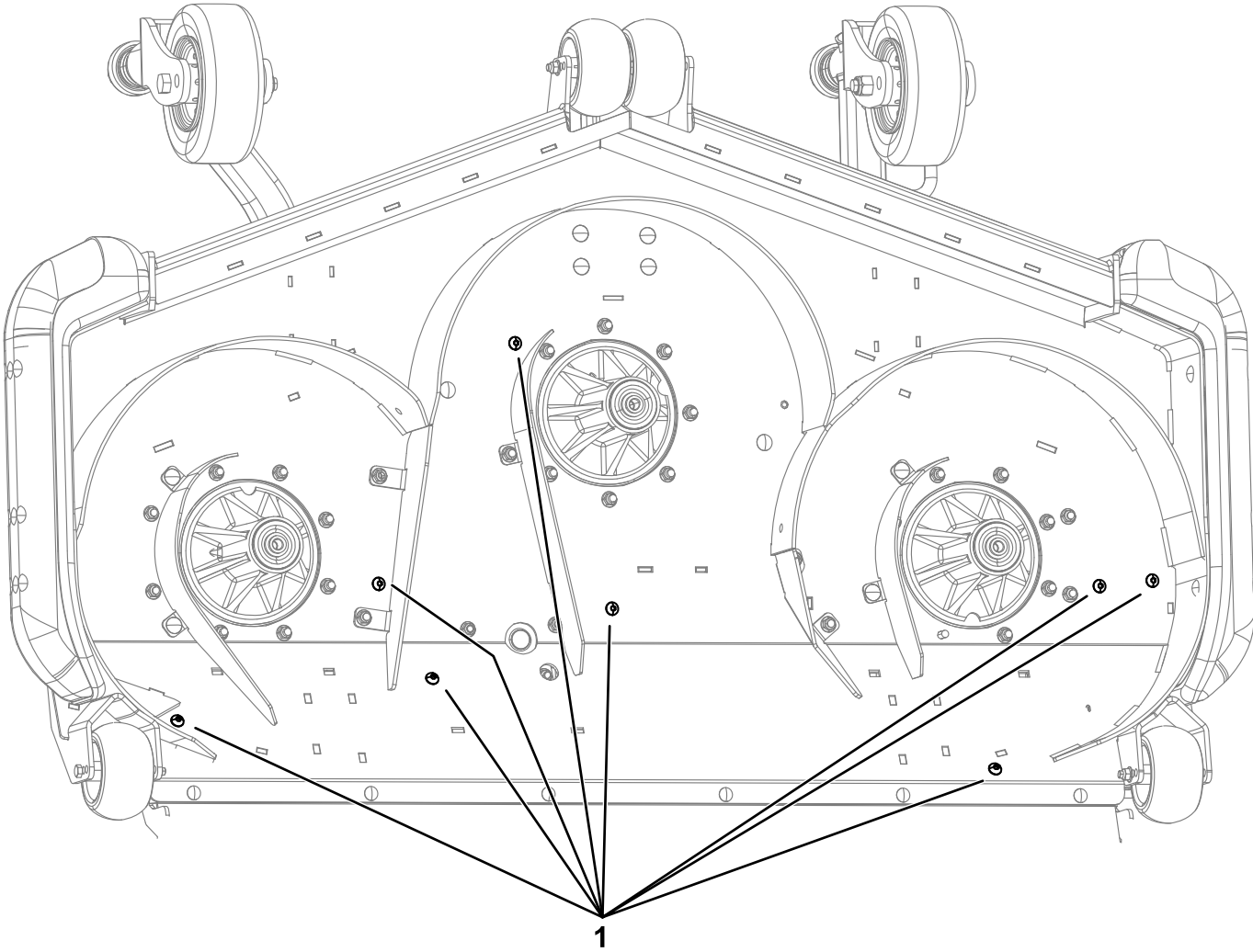


Figure 1

g308834

- 1. Plugs

72-inch Deck:

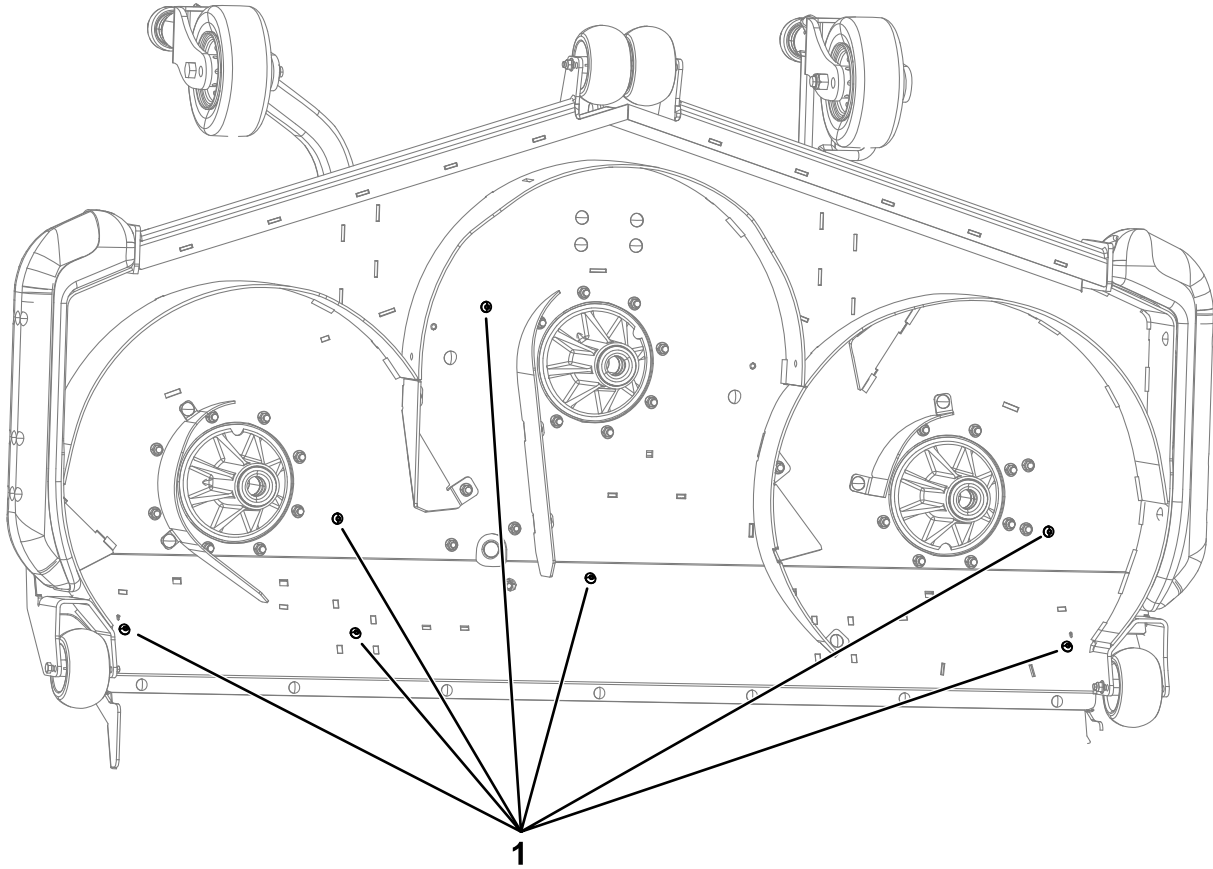


Figure 2

g308835

1. Plugs

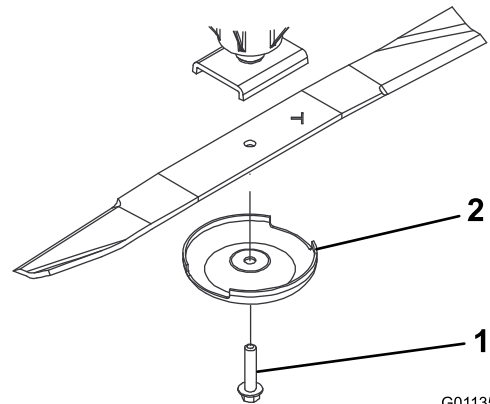
3

Removing the Blades

No Parts Required

Procedure

1. Grasp the end of the blade using a rag or thickly-padded glove.
2. Remove the blade bolt, anti-scalp cup, and blade from the spindle shaft (Figure 3).
Retain the parts for later installation.



G011355

g011355

Figure 3

1. Blade bolt
2. Anti-scalp cup

4

Removing the Existing Baffles

No Parts Required

For 60-inch Mower Decks

Remove the existing baffles and fasteners from the mower deck as shown in [Figure 4](#).

Retain the parts if you remove the kit in the future.

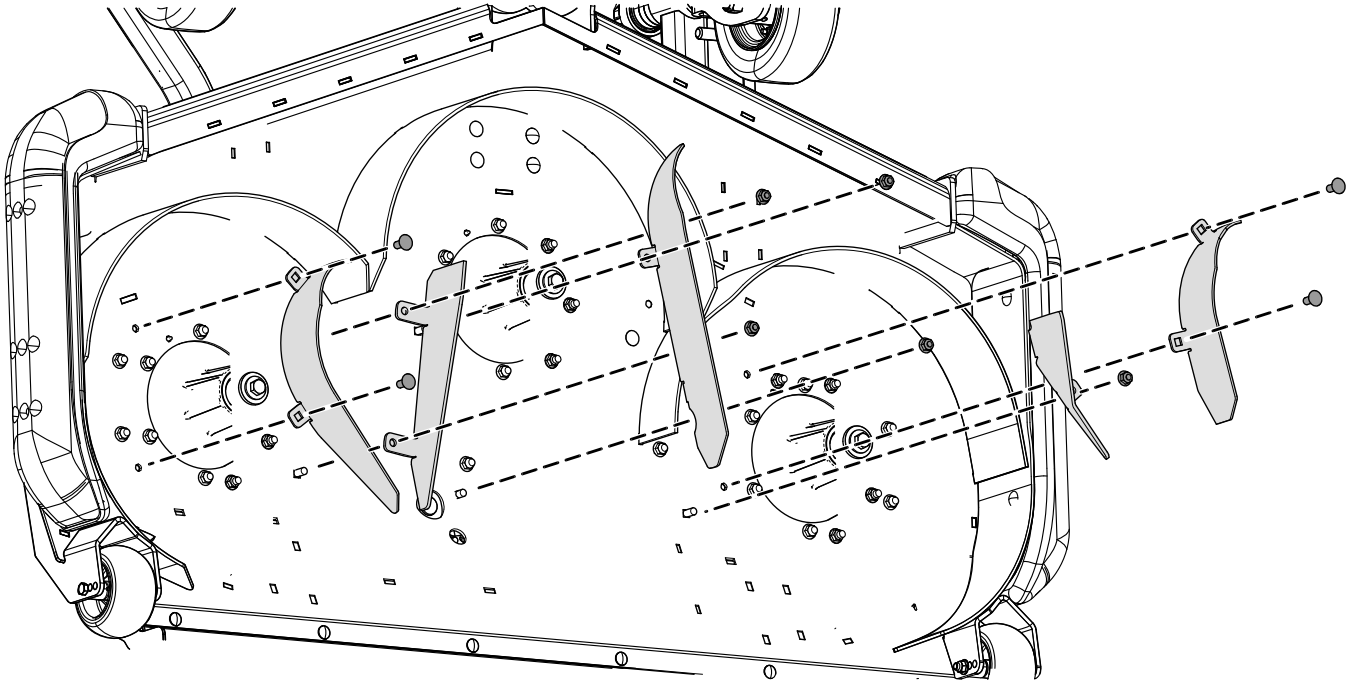


Figure 4

g308832

For 72-inch Mower Decks

Remove the existing baffles and fasteners from the mower deck as shown in [Figure 5](#).

Retain the parts if you remove the kit in the future.

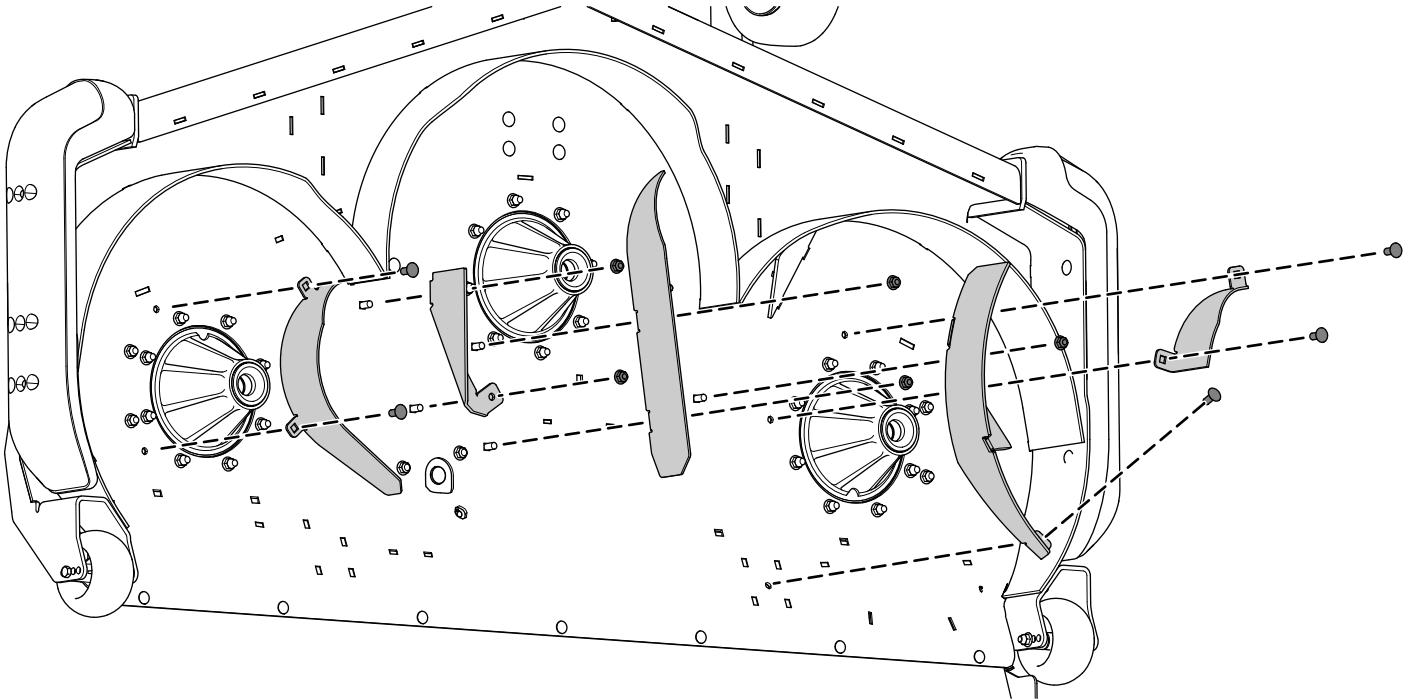


Figure 5

g308833

5

Installing the Recycler Baffles

Parts needed for this procedure:

1	Rear, right baffle
1	Rear, center baffle
1	Rear, left baffle
2	Side kicker baffle
1	Center kicker baffle
12	Locknut (3/8 inch)
12	Carriage bolt (3/8 x 7/8 inch)

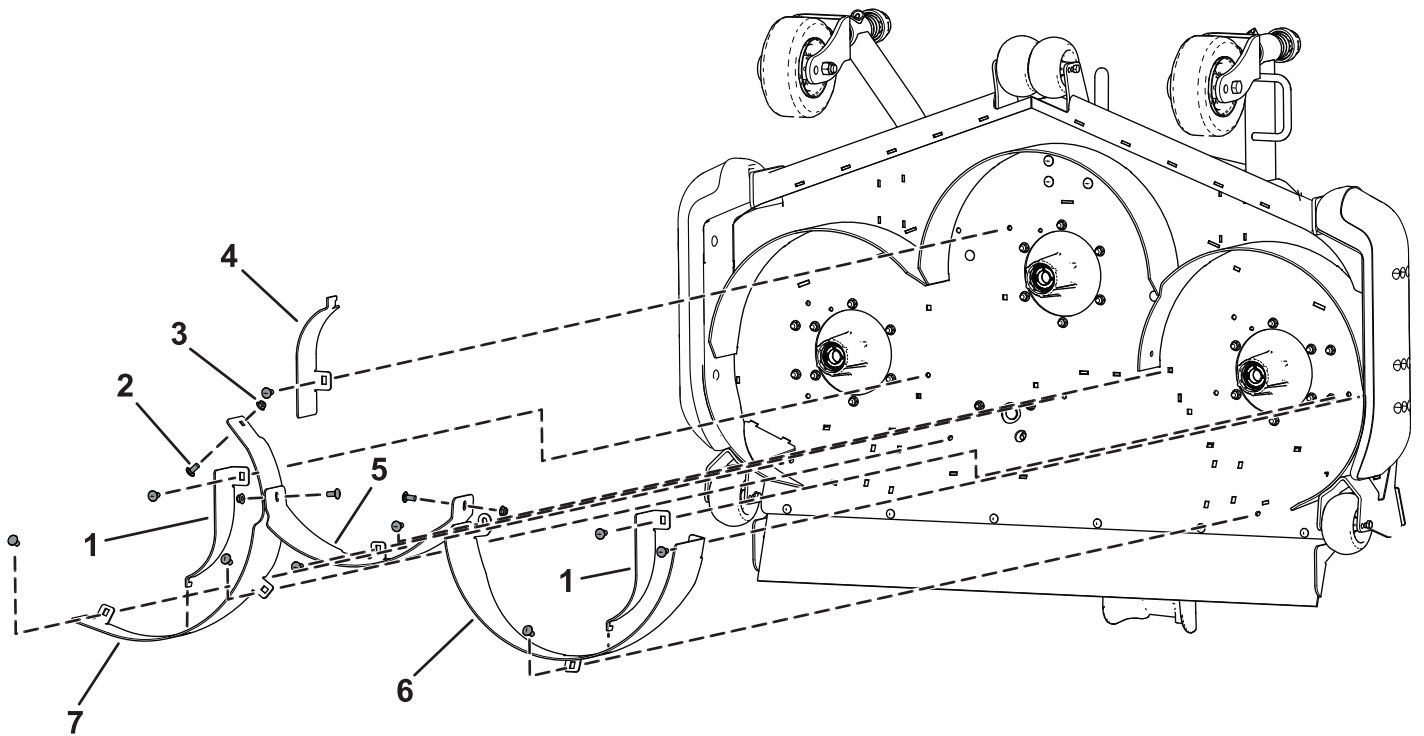
For 60-inch Mower Decks

1. Loosely secure the rear, right baffle to the mower deck using 3 carriage bolts (3/8 x 7/8 inch) and 3 locknuts (3/8 inch) as shown in [Figure 6](#).
2. Loosely secure the rear, left baffle to the mower deck using 3 carriage bolts (3/8 x 7/8 inch) and 3 locknuts (3/8 inch) as shown in [Figure 6](#).
3. Loosely secure the rear, center baffle to the mower deck using 2 carriage bolts (3/8 x 7/8 inch) and 2 locknuts (3/8 inch) as shown in [Figure 6](#).
4. Loosely secure the rear, center baffle to the rear, right baffle using 1 carriage bolt (3/8 x 7/8 inch) and 1 locknut (3/8 inch) as shown in [Figure 6](#).
5. Loosely secure the 2 side kicker baffles and center kicker baffle using 3 carriage bolts (3/8 x 7/8 inch) and 3 locknuts (3/8 inch) as shown in [Figure 6](#).

Note: The hooked end of each kicker baffle attaches to the slot in the chamber baffle.

Note: You may need to loosen the mating baffle to allow the hooked end of the kicker baffle to fit correctly.

6. Plug the holes using the hardware removed in procedure [2 Removing the Plugs \(page 2\)](#). Install carriage bolts in the square holes. Install button-head bolts in round holes.



g306693

Figure 6

- | | |
|-----------------------------------|------------------------|
| 1. Side kicker baffle | 5. Rear, center baffle |
| 2. Carriage bolt (3/8 x 7/8 inch) | 6. Rear, left baffle |
| 3. Locknut (3/8 inch) | 7. Rear, right baffle |
| 4. Center kicker baffle | |

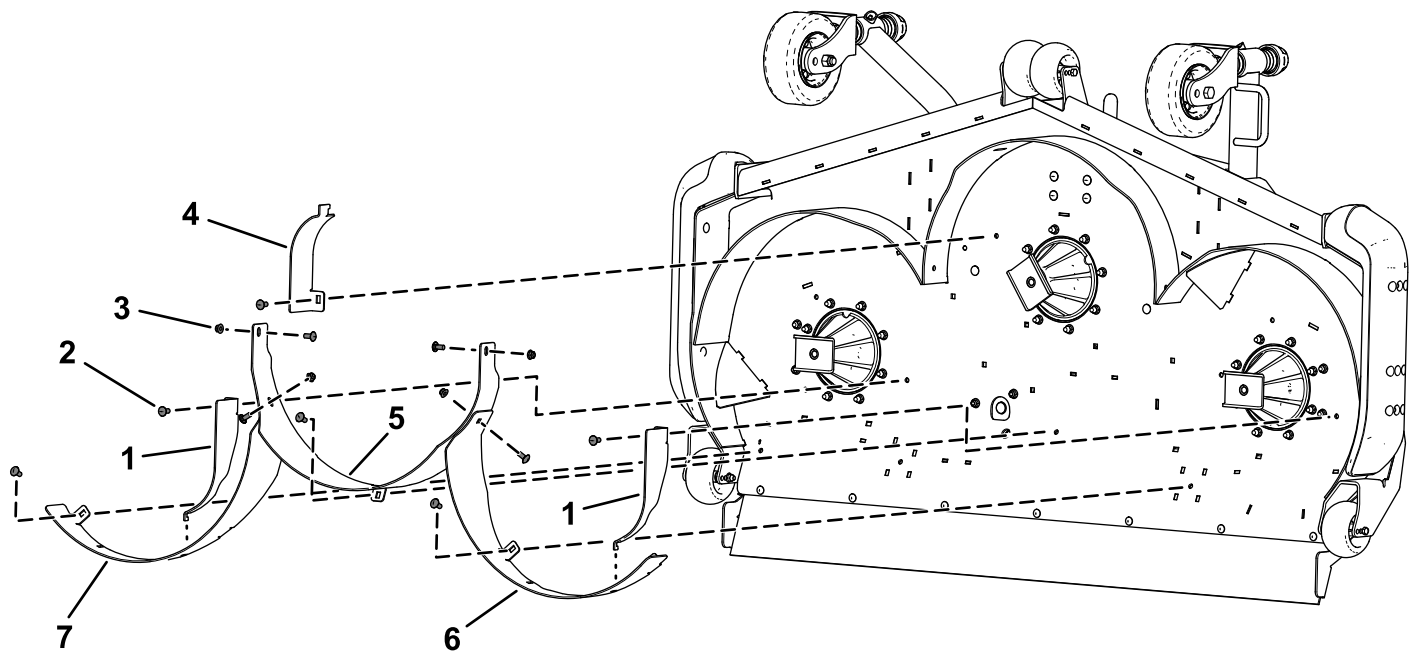
For 72-inch Mower Decks

1. Loosely secure the rear, right baffle to the mower deck using 2 carriage bolts (3/8 x 7/8 inch) and 2 locknuts (3/8 inch) as shown in [Figure 7](#).
2. Loosely secure the rear, left baffle to the mower deck using 2 carriage bolts (3/8 x 7/8 inch) and 2 locknuts (3/8 inch) as shown in [Figure 7](#).
3. Loosely secure the rear, center baffle to the mower deck using 3 carriage bolts (3/8 x 7/8 inch) and 3 locknuts (3/8 inch) as shown in [Figure 7](#).
4. Loosely secure the rear, center baffle to the rear, right baffle and rear, left baffle using 2 carriage bolts (3/8 x 7/8 inch) and 2 locknuts (3/8 inch) as shown in [Figure 7](#).
5. Loosely secure the 2 side kicker baffles and center kicker baffle using 3 carriage bolts (3/8 x 7/8 inch) and 3 locknuts (3/8 inch) as shown in [Figure 7](#).

Note: The hooked end of each kicker baffle attaches to the slot in the chamber baffle.

Note: You may need to loosen the mating baffle to allow the hooked end of the kicker baffle to fit correctly.

6. Plug the holes using the hardware removed in procedure [2 Removing the Plugs \(page 2\)](#). Install carriage bolts in the square holes. Install button-head bolts in round holes.



g306198

Figure 7

- | | |
|-----------------------------------|------------------------|
| 1. Side kicker baffle | 5. Rear, center baffle |
| 2. Carriage bolt (3/8 x 7/8 inch) | 6. Rear, left baffle |
| 3. Locknut (3/8 inch) | 7. Rear, right baffle |
| 4. Center kicker baffle | |

6

Installing the Blades

No Parts Required

Procedure

Install the blade, anti-scalp cup, and blade bolt and tighten the blade bolt to 115 to 149 N·m (85 to 110 ft-lb) as shown in [Figure 8](#).

Important: The curved part of the blade must point toward the inside of the mower deck to ensure proper cutting.

Note: After striking a foreign object, torque all spindle-pulley nuts to 115 to 149 N·m (85 to 110 ft-lb).

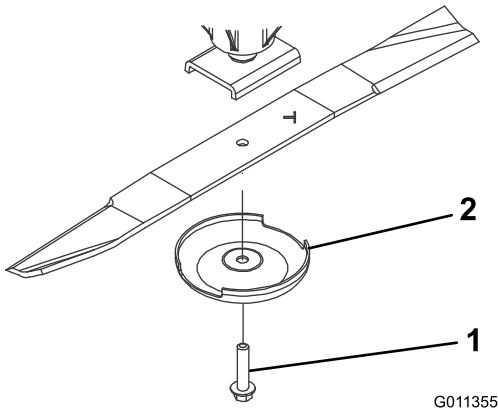


Figure 8

1. Blade bolt

2. Anti-scalp cup

7

Tightening the Hardware

No Parts Required

Procedure

1. Tighten all nuts and bolts for the baffles.
2. Rotate the blades and ensure that there is clearance between the blades and the baffles. If there is not, loosen the baffle(s) until there is clearance and then secure the baffle(s).

8

Completing the Installation

No Parts Required

Procedure

Rotate the mower deck to the MOWING position; refer to your *Operator's Manual*.

9

Converting Back to Rear Discharge

No Parts Required

Procedure

1. Park the machine on a level surface.
2. Engage the parking brake.
3. Raise the mower deck to the TRANSPORT position; refer to your *Operator's Manual*.
4. Shut off the engine and remove the key.
5. Rotate the mower deck to the SERVICE position; refer to your *Operator's Manual*.
6. Remove the recycler baffles.
Retain the hardware.
7. Replace the recycler blades with standard blades (if applicable).
8. Install the hex-socket bolts (3/8 x 3/4 inch) and the flange nuts (3/8 inch) in the holes on top of the deck with the bolt head underneath.

Note: You must plug all open holes not covered by belt shields or the frame to prevent sand and/or other small objects from being thrown up through the deck.