



Count on it.

Parts Catalog

Groundsmaster® 4500-D Traction Unit

Model No. 30881—Serial No. 313000001 and Up

Model No. 30881A—Serial No. 314000001 and Up



Ordering Replacement Parts

To order replacement parts, please supply the part number, the quantity, and the description of each part desired.

Understanding Reference Numbers

Each identified part in an illustration has a reference number. The reference number for a part also appears in the parts list, along with other information about the part.

This catalog uses two special reference number formats, one to indicate parts in a service assembly and another to indicate the quantity of a given part in an illustration.

Service Assembly Reference Numbers

Parts in service assemblies have reference numbers in the form a:b. The a represents the reference number of the entire service assembly and the b represents a sequential number unique to each part within the service assembly.

For example, a wheel assembly might be identified by reference number 6, the tire by 6:1, the valve by 6:2, and the wheel by 6:3. When you order the assembly identified by reference number 6, you receive all parts identified by reference numbers 6:1, 6:2, and 6:3. However, you may also order any part individually. Reference numbers of this type appear in illustration and in parts lists.

Reference Numbers Indicating Quantity

In an illustration, if a reference number indicates more than one part, the reference number has the form nX y. The n represents the quantity of the part, the X is the multiplication symbol, and the y represents the reference number.

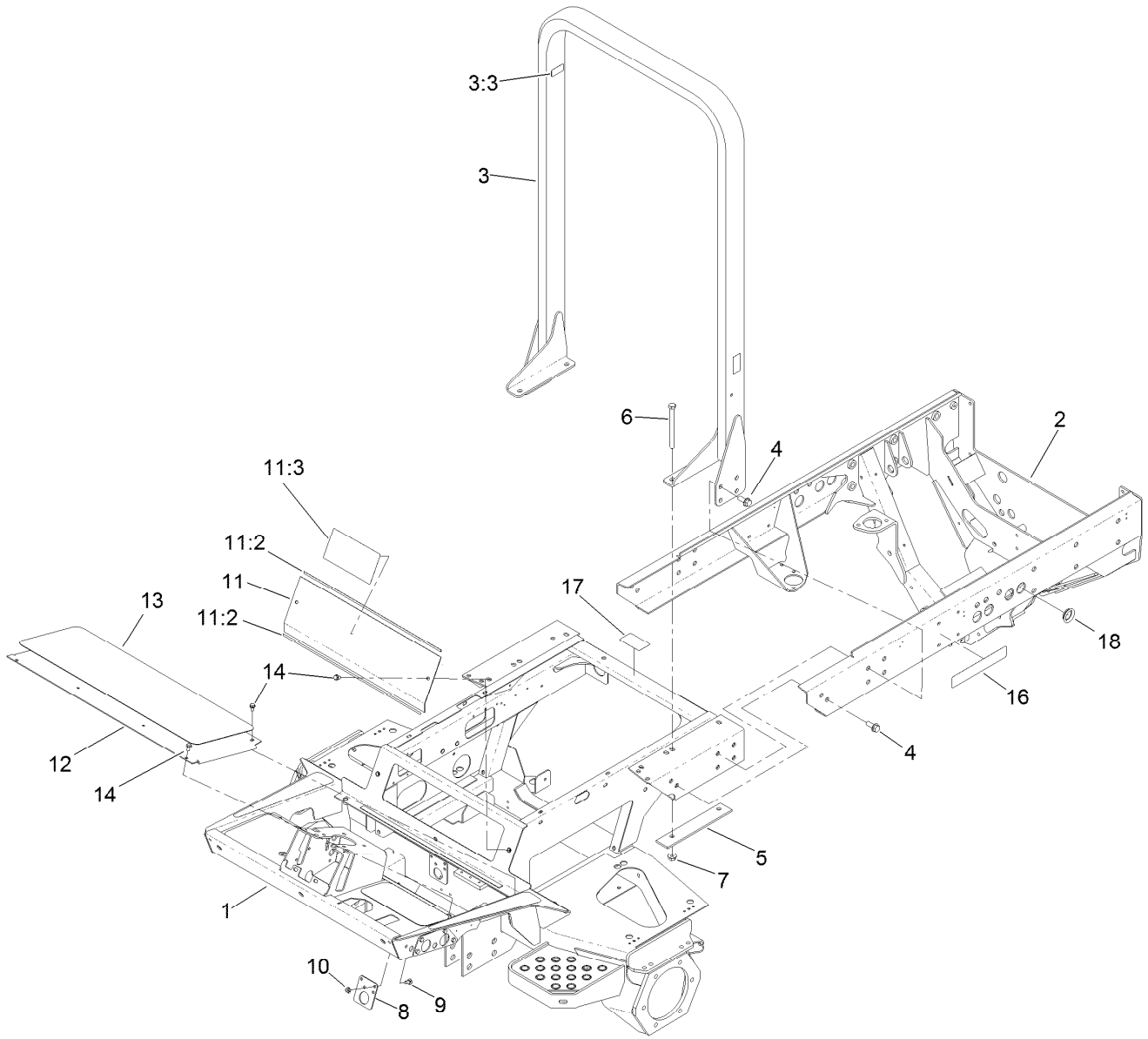
For example, in an illustration, the reference number 2X 37 means that two of the parts identified by reference number 37 are indicated.

Contents

Frame Assembly	5
Front Frame Assembly No. 120-8086	6
Front Shroud Assembly	7
Engine Mount Assembly	8
Flywheel Assembly	9
Engine, Air Cleaner and Controller Assembly	10
Air Cleaner Assembly No. 99-5410	11
Radiator Assembly	12
Fan Mounting Assembly	14
Hydraulic Motor Assembly No. 117-4769	15
No. 1, No. 4 and No. 5 Lift Arm and Deck Assembly	16
No. 2 and 3 Lift Arm and Deck Assembly	18
Hydraulic Cylinder Assembly No. 107-1979	20
Hydraulic Cylinder Assembly No. 107-1980	21
Hydraulic Cylinder Assembly No. 107-1978	22
Roller and Carrier Frame Assembly	23
Roller Assembly No. 112-5265	24
Height-of-Cut Bracket Assembly	25
Chamber, Blade and Spindle Assembly	26
Spindle Assembly No. 115-3435	27
Hydraulic Tank Assembly	28
Fuel System Assembly	29
Battery and Controller Assembly	30
Battery Storage Box Assembly No. 115-9100	31
Storage Box Assembly No. 115-9101	32
Seat Mounting Assembly	33
Air Ride Seat Suspension Assembly No. 108-1488	34
Vinyl Premium Seat Assembly No. 117-5676	36
Console Switch, Cover and Decal Assembly	37
Console Assembly	38
Steering and Brake Assembly	40
Steering Tilt Column Assembly No. 106-3622	42
Steering Valve Assembly No. 114-8119	43
Pedal Assembly	44
Hood Assembly	45
Front Drive and Brake Assembly	46
Planetary Assembly No. 105-4500-03	47
Brake Assembly No. 100-3070-03	48
Brake Assembly No. 100-3069-03	49
Hydraulic Piston Motor Assembly No. 121-3100	50
Rear Axle Assembly	51
Cylinder Assembly No. 107-1976	53
Piston Motor Assembly No. 121-3101	54
Bevel Pinion Shaft Assembly Rear Axle Assembly No. 110-4750	55
Differential Assembly Rear Axle Assembly No. 110-4750	56
Axle Support Assembly Rear Axle Assembly No. 110-4750	57
Bevel Gear Case Assembly Rear Axle Assembly No. 110-4750	58
Bevel Gear Shaft Assembly Rear Axle Assembly No. 110-4750	59
Axle Case Assembly Rear Axle Assembly No. 110-4750	60
Axle Assembly Rear Axle Assembly No. 110-4750	61
Piston Pump Assembly No. 120-9059	62
Hydraulic System Assembly	64
Four Section Pump Assembly No. 114-4189	65
Hydraulic Valve Mounting Assembly	66

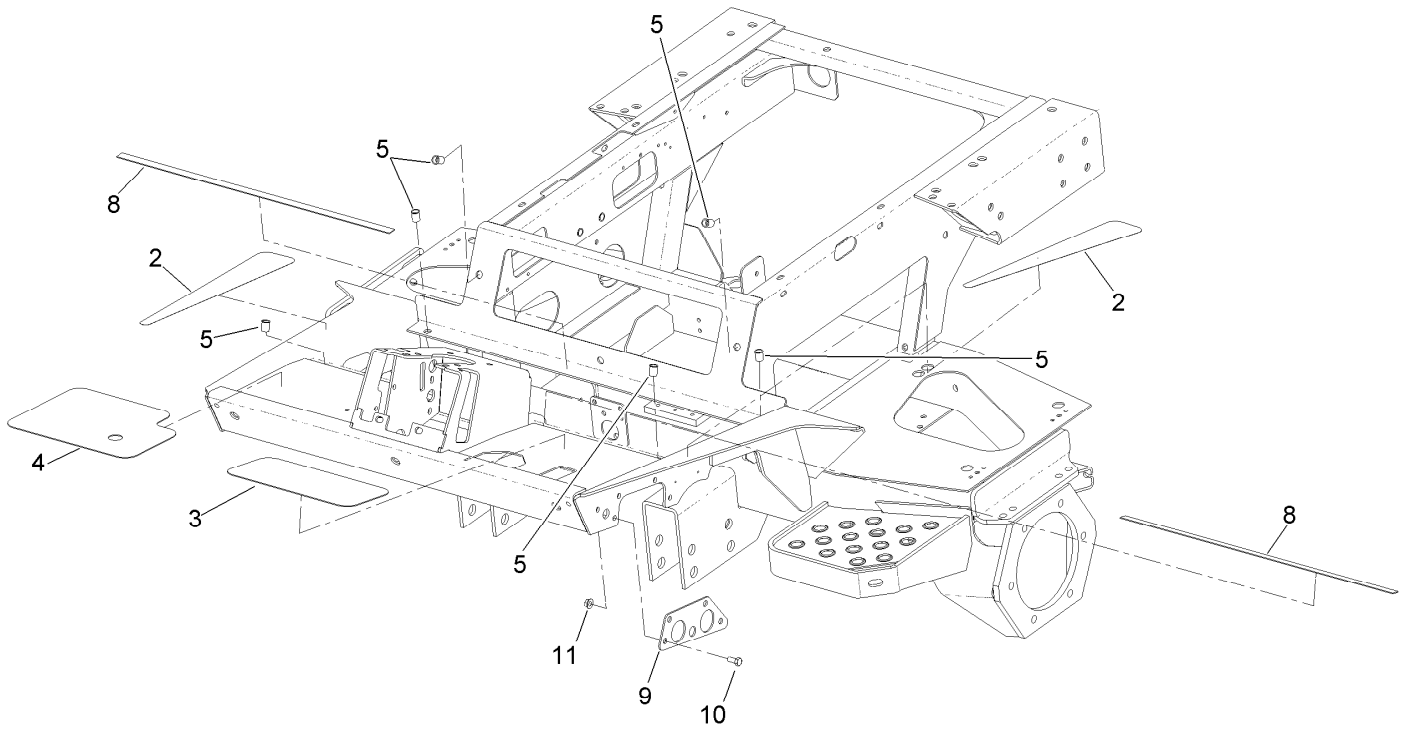
Contents (continued)

Mow Manifold Assembly No. 120-8064	68
Lift Manifold Assembly No. 117-2388	69
Junction Manifold Assembly No. 117-2394	70
Junction Manifold Assembly	71
Fan Drive Manifold Assembly No. 117-2395	72
Rear Traction Manifold Assembly No. 121-3078	73
3 Way Manifold Valve Assembly No. 121-3077	74
Hydraulic Traction Circuit Assembly	75
Hydraulic Steering Circuit Assembly	76
Hydraulic Lift Circuit Assembly	77
Hydraulic Mow Circuit Assembly	78
Deck Lift Hydraulic Assembly	80
Deck No. 1, 4 and 5 Hydraulic Assembly	81
Gear Motor Assembly No. 117-5141	82
Deck No. 2 and 3 Hydraulic Assembly	83
Main Wire Harness Assembly	84
Engine Wire Harness Assembly	85
Cylinder Block Assembly	86
Gear Housing Assembly	87
Flywheel Housing and Oil Sump Assembly	88
Suction Manifold Assembly	89
Cylinder Head and Cover Assembly	90
Diesel Particulate Filter Assembly	92
Exhaust Manifold Assembly	94
Camshaft and Driving Gear Assembly	95
Turbine Assembly	96
Crankshaft and Piston Assembly	97
Lubrication and Oil System Assembly	98
Lubrication Oil Line Assembly	99
Cooling Water System Assembly	100
Fuel System Assembly	101
Fuel Injection Valve Assembly	102
Fuel Line Assembly	103
Starting Motor Assembly	104
Generator Assembly	105
Electric Parts Assembly	106
Gasket Set	107
Attachments and Accessories	109



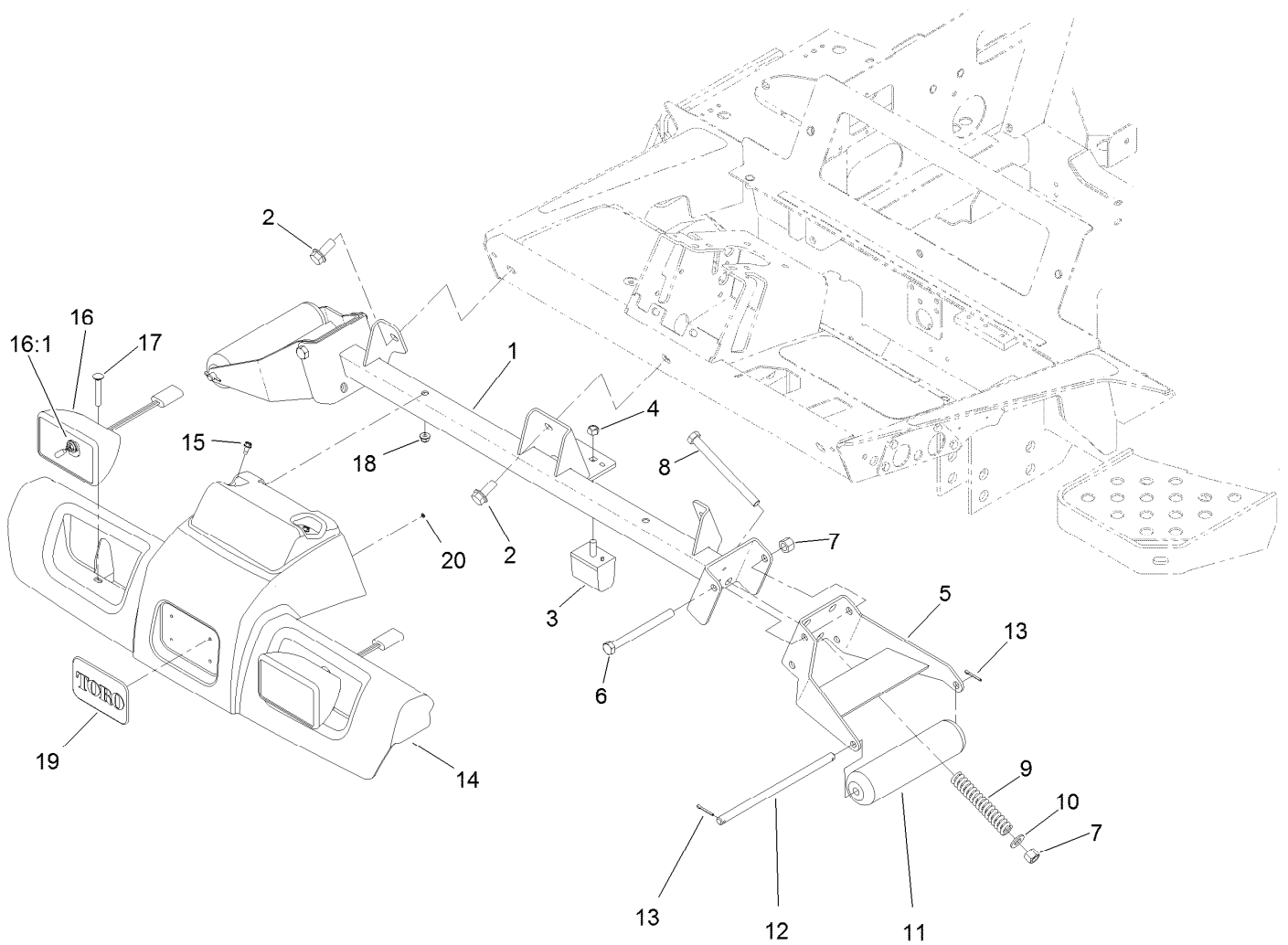
Frame Assembly

<i>Ref.</i>	<i>Part Number</i>	<i>Qty.</i>	<i>Description</i>	<i>Ref.</i>	<i>Part Number</i>	<i>Qty.</i>	<i>Description</i>
1	120-8086	1	Front Frame ASM	10	32128-20	2	Nut-HF
2	120-8007-03	1	Frame-Rear	11	119-0006	1	Access Plate ASM
3	108-4018	1	ROPS ASM	11:2	105-9860	2	Seal-Foam
3:3	98-4387	1	Decal-Protection, Ear	11:3	112-5297	1	Decal-Danger
4	3234-38	12	Screw-HHF	12	75-1410-01	1	Plate-Access, Floor
5	104-5584-03	2	Plate-Reinforcement, ROPS	13	125-4614	1	Tread-Foot, Center
6	325-20	4	Screw-HH	14	3234-7	6	Screw-HHF
7	32128-49	4	Nut-HHF	16	72-3560	2	Decal
8	104-5516-01	1	Support-Tube	17	106-6754	1	Decal-Danger
9	3230-23	2	Screw-CARR	18	105-9194	4	Plug



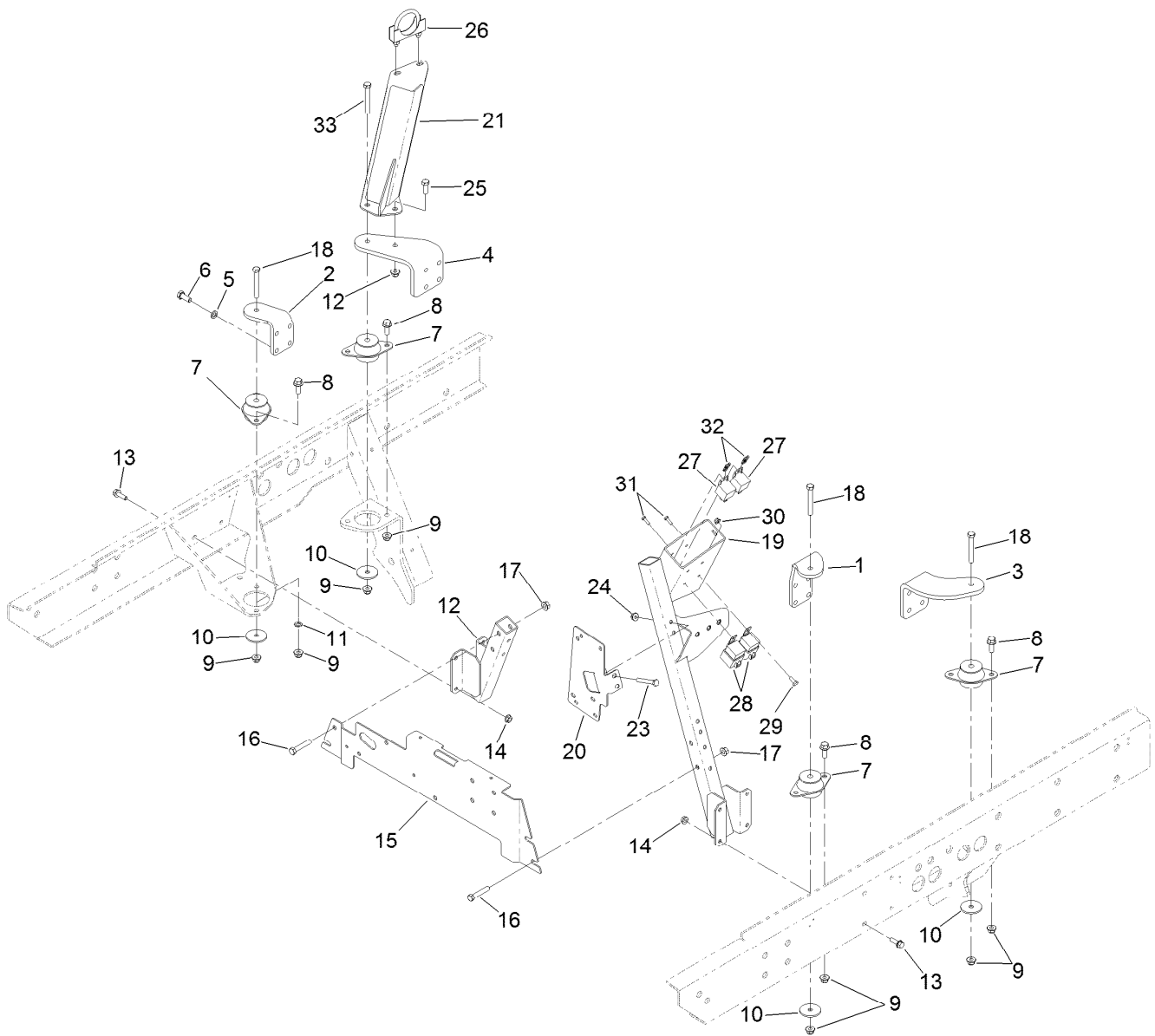
Front Frame Assembly No. 120-8086

<i>Ref.</i>	<i>Part Number</i>	<i>Qty.</i>	<i>Description</i>
2	93-7592	2	Tread-Rest, Foot
3	75-0620	1	Tread-Foot, LH
4	104-5223	1	Tread-Foot, RH
5	32148-7	10	Nut-Clinch
8	105-9860	2	Seal-Foam
9	106-7794-01	2	Plate-Mount, HYD Fitting
10	322-3	8	Screw-HH
11	32128-20	8	Nut-HF



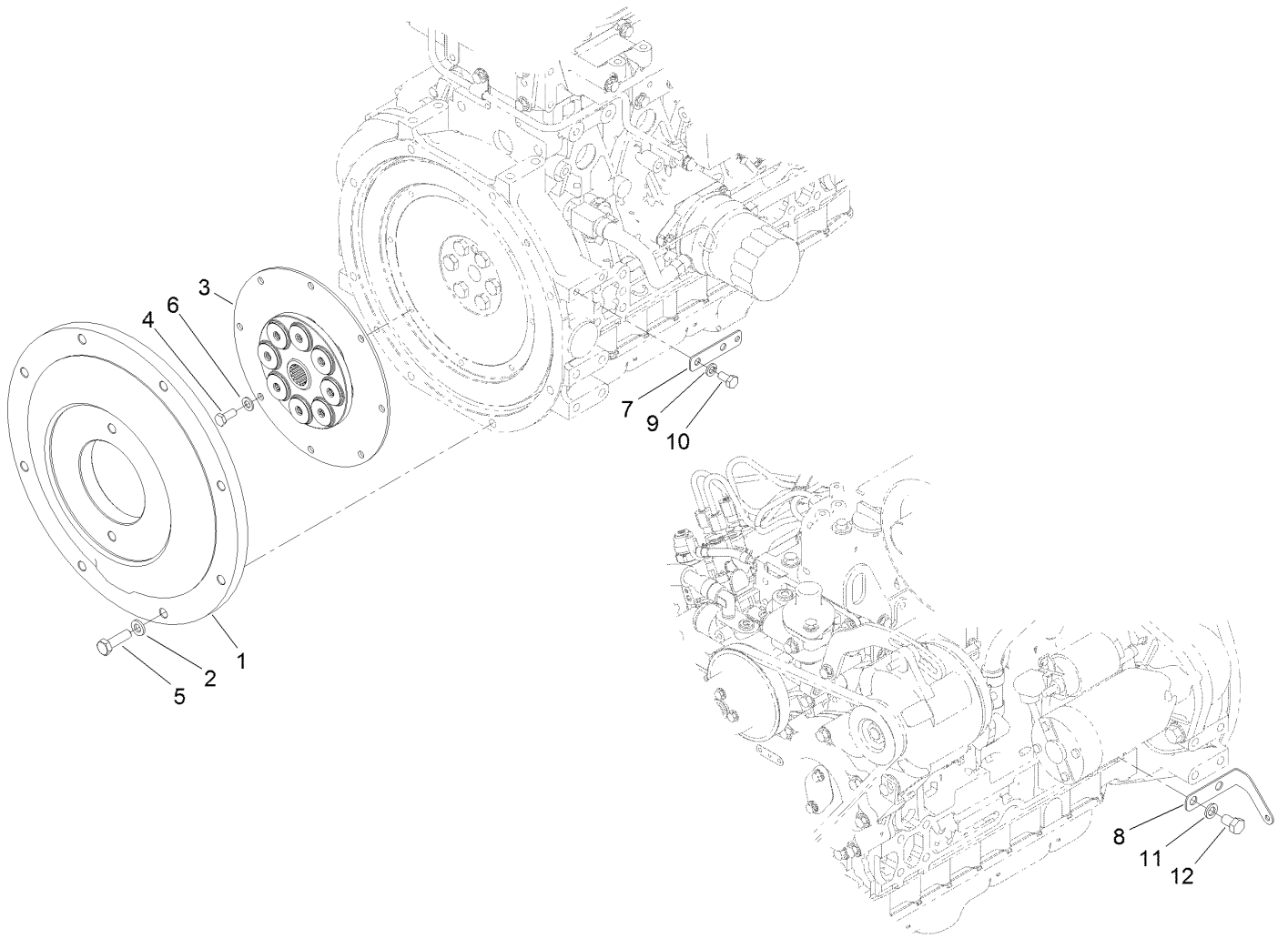
Front Shroud Assembly

<i>Ref.</i>	<i>Part Number</i>	<i>Qty.</i>	<i>Description</i>	<i>Ref.</i>	<i>Part Number</i>	<i>Qty.</i>	<i>Description</i>
1	117-4760-01	1	Support-Roller	12	104-5545	2	Shaft-Roller
2	3234-38	3	Screw-HHF	13	3272-11	4	Pin-Cotter
3	87-3470	1	Bumper	14	115-9137	1	Shroud-Platform
4	33025-00	1	Nut-Lock, NI	15	32104-17	2	Screw-HWH
5	105-3996-01	2	Support-Roller	16	94-9024	2	Lamp ASM
6	325-22	2	Screw-HH	16:1	95-0909	1	Lamp-12 Volt
7	3296-23	4	Nut-Lock, NI	17	3230-7	2	Bolt-CARR
8	325-20	2	Screw-HH	18	104-8300	2	Nut-HF, NI
9	105-3970	2	Spring-Compression	19	93-6028	1	Plate-Logo
10	3256-26	2	Washer-Flat	20	3254-9	4	Washer-Lock, Internal
11	105-9816	2	Roller-Plastic				



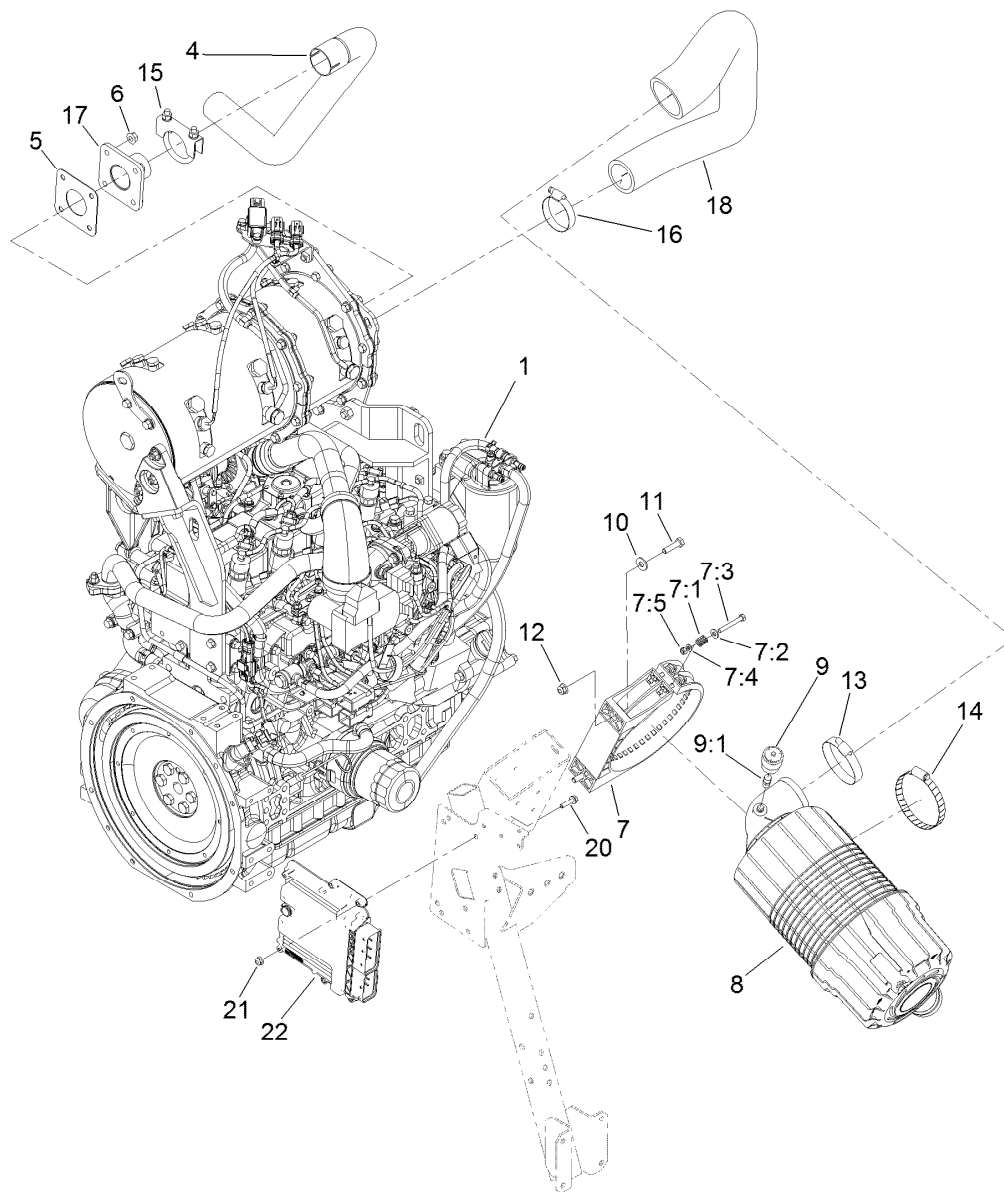
Engine Mount Assembly

Ref.	Part Number	Qty.	Description	Ref.	Part Number	Qty.	Description
1	120-8001-03	1	Mount-Engine, Front (LH)	17	32128-21	4	Nut-HF
2	120-8002-03	1	Mount-Engine, Front (RH)	18	323-13	3	Screw-HH
3	120-8003-03	1	Mount-Engine, Rear (LH)	19	121-3140-03	1	Bracket-Mount, Air Cleaner
4	120-8004-03	1	Mount-Engine, Rear (RH)	20	121-3102-03	1	Bracket-Controller
5	48-9590	16	Washer-Lock	21	121-3098-03	1	Support-Tailpipe
6	33115-025	16	Screw-HH	23	322-11	2	Screw-HH
7	53-9682	4	Mount-Engine	24	104-8300	2	Nut-HF, NI
8	3234-11	8	Screw-HHF	25	323-6	1	Screw-HH
9	104-8301	13	Nut-HF, NI	26	18-2130	1	Clamp
10	63-7400	4	Washer-Rebound	27	99-7435	2	Relay
11	3255-9	1	Washer-Lock	28	99-7430	2	Relay-Mini
12	104-5420-03	1	Support-Battery	29	321-3	2	Screw-HH
13	3234-29	8	Screw-HHF	30	104-7201	2	Nut-HF
14	32128-20	8	Nut-HF	31	3290-134	2	Screw
15	114-8134-03	1	Bracket-Support	32	3290-277	2	Nut-Speed
16	323-10	4	Screw-HH	33	323-14	1	Screw-HH



Flywheel Assembly

Ref.	Part Number	Qty.	Description
1	115-6657-03	1	Plate-Flywheel
2	107-1413	8	Washer-Hardened
3	120-4176	1	Coupling-Spring, Flywheel
4	33114-020	8	Screw-HH
5	117-5663	8	Screw-HH
6	87-7510	8	Washer-Flat
7	121-5636	1	Tab-Harness
8	121-6580	1	Bracket-Harness
9	3253-4	2	Washer-Lock
10	33114-016	2	Screw-HH
11	48-9590	2	Washer-Lock
12	33115-016	2	Screw-HH



Engine, Air Cleaner and Controller Assembly

Ref.	Part Number	Qty.	Description	Ref.	Part Number	Qty.	Description
1	120-4111	1	Engine ASM	10	3256-3	2	Washer-Flat
4	121-3061	1	Pipe-Exhaust	11	322-6	2	Screw-HH
5	121-3058	1	Gasket-Exhaust	12	104-8300	2	Nut-HF, NI
6	33004-00	4	Nut-HF	13	2412-125	1	Clamp-Hose
7	99-5414	1	Strap-Cleaner, Air	14	2412-110	1	Clamp-Band/Screw
7:1	108-1512	2	Spring	15	18-2130	1	Clamp
7:2	3256-22	2	Washer-Flat	16	2412-130	1	Clamp-Hose
7:3	33113-050	2	Screw-HH	17	121-3060	1	Flange-Exhaust
7:4	33093-00	2	Washer-Flat	18	121-3142	1	Hose-Air Cleaner, Outlet
7:5	33023-00	2	Nut-Lock	20	120-4654	4	Screw-HHF
8	99-5410	1	Air Cleaner ASM	21	104-7201	4	Nut-HF
9	104-3563	1	Indicator	22	121-5592	1	Electronic Control Unit
9:1	94-1416	1	Adapter-Indicator				

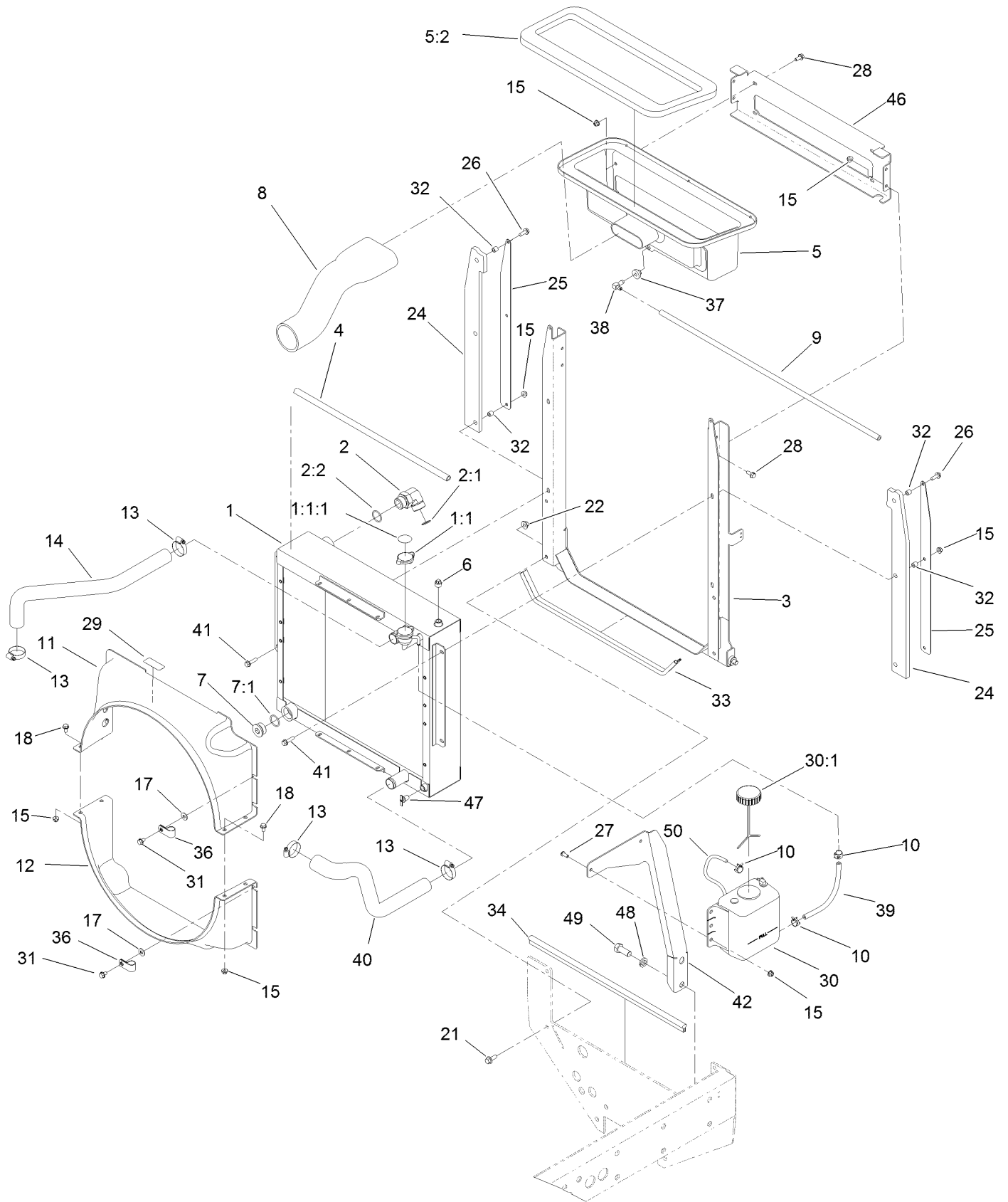


Air Cleaner Assembly No. 99-5410

<i>Ref.</i>	<i>Part Number</i>	<i>Qty.</i>	<i>Description</i>
1	104-4258	1	Valve-Vacuator
3	104-4259	1	Cover
5		1	Body ASM ●
6	108-3814	1	Filter-Air
7	108-3816	1	Filter-Air

● Not serviced separately

Radiator Assembly



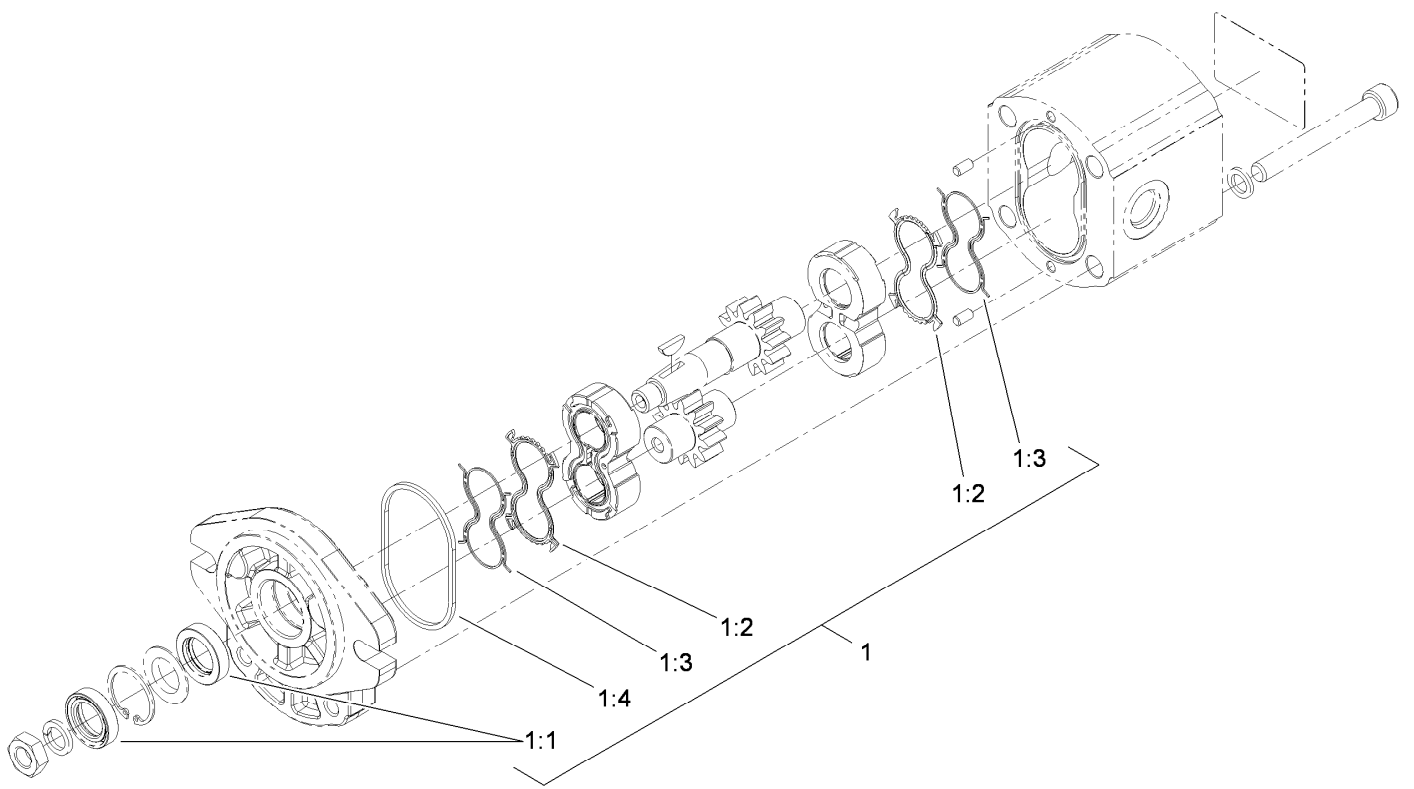
Radiator Assembly (continued)

<i>Ref.</i>	<i>Part Number</i>	<i>Qty.</i>	<i>Description</i>	<i>Ref.</i>	<i>Part Number</i>	<i>Qty.</i>	<i>Description</i>
1	121-3080	1	Radiator/Oil Cooler	24	121-3087	2	Seal-Foam, Hood
1:1	115-7766	1	Cap-Radiator	25	121-3086-03	2	Bracket-Seal, Hood
1:1:1	106-6755	1	Decal-Cap, Radiator	26	32144-41	2	Screw-Taptite
2	340-129	2	Fitting-Elbow, 90 DEG	27	3274-55	2	Screw-HSBH
2:1	237-146	1	O-Ring	28	3234-47	12	Screw-HHF
2:2	340-65	1	O-Ring	29	117-4766	1	Decal-Warning, Fan
3	121-3084-03	1	Mount-Radiator	30	120-5571	1	Coolant Reservoir ASM
4	114-3828	1	Seal-Bulb	30:1	87-7050	1	Cap-Reservoir
5	115-4363	1	Plenum ASM	31	3234-30	8	Screw-HHF
5:2	115-4393	1	Seal-Plenum	32	1-603903	6	Spacer
6	281-13	1	Plug-Pipe	33	117-4782	1	Seal-Bulb
7	105-3921	1	Fitting-Plug	34	105-9858	1	Seal-Bulb
7:1	237-146	1	O-Ring	36	2412-81	2	Clamp-R
8	121-3143	1	Hose-Air Cleaner, Inlet	37	46-6560	1	Bushing
9	110-3258	1	Hose-Fuel	38	46-6550	1	Fitting-Elbow, 90 DEG
10	92-2379	4	Clamp-Hose	39	109-0282	1	Hose-Fuel
11	125-4615	1	Shroud-Radiator, Upper	40	121-1477	1	Hose-Radiator, Lower
12	121-3106	1	Shroud-Radiator, Lower	41	3234-36	4	Screw-HHF
13	2412-111	4	Clamp	42	125-4609-03	1	Bracket-Mount, Tank
14	121-1476	1	Hose-Radiator, Upper	46	121-3085	1	Plate-Crossover
15	104-8300	22	Nut-HF, NI	47	304-46	1	Draincock
17	3256-3	8	Washer-Flat	48	3253-8	2	Washer-Lock
18	3234-7	4	Screw-HHF	49	327-4	2	Screw-HH
21	3234-11	4	Screw-HHF	50	109-0273	1	Hose-Fuel
22	32128-43	4	Nut-Flange				



Fan Mounting Assembly

Ref.	Part Number	Qty.	Description	Ref.	Part Number	Qty.	Description
1	115-8486	4	Screw-HH	10:2	237-79	1	O-Ring
2	114-3825	1	Fan	11	80-6990	4	Washer-Hardened
3	117-2364	1	Hub-Fan	12	104-7201	6	Nut-HF
4	340-2	1	Fitting-Straight	13	99-6810	6	Screw-HHF
4:1	237-22	1	O-Ring	14	125-4610	2	Shim-Support
4:2	237-42	1	O-Ring	16	125-4598	1	Tube ASM
5	117-4769	1	HYD Motor ASM	16:1	237-22	1	O-Ring
6	120-8935-03	1	Bracket-Fan	17	125-4596	1	Tube ASM
7	324-5	2	Screw-HH	17:1	237-30	1	O-Ring
8	3256-25	2	Washer-Flat	18	125-4597	1	Tube ASM
9	3296-48	2	Nut-Hex	18:1	237-30	1	O-Ring
10	340-4	2	Fitting-Straight	19	340-70	1	Nut-Lock
10:1	237-30	1	O-Ring	20	340-127	2	Nut-Bulkhead

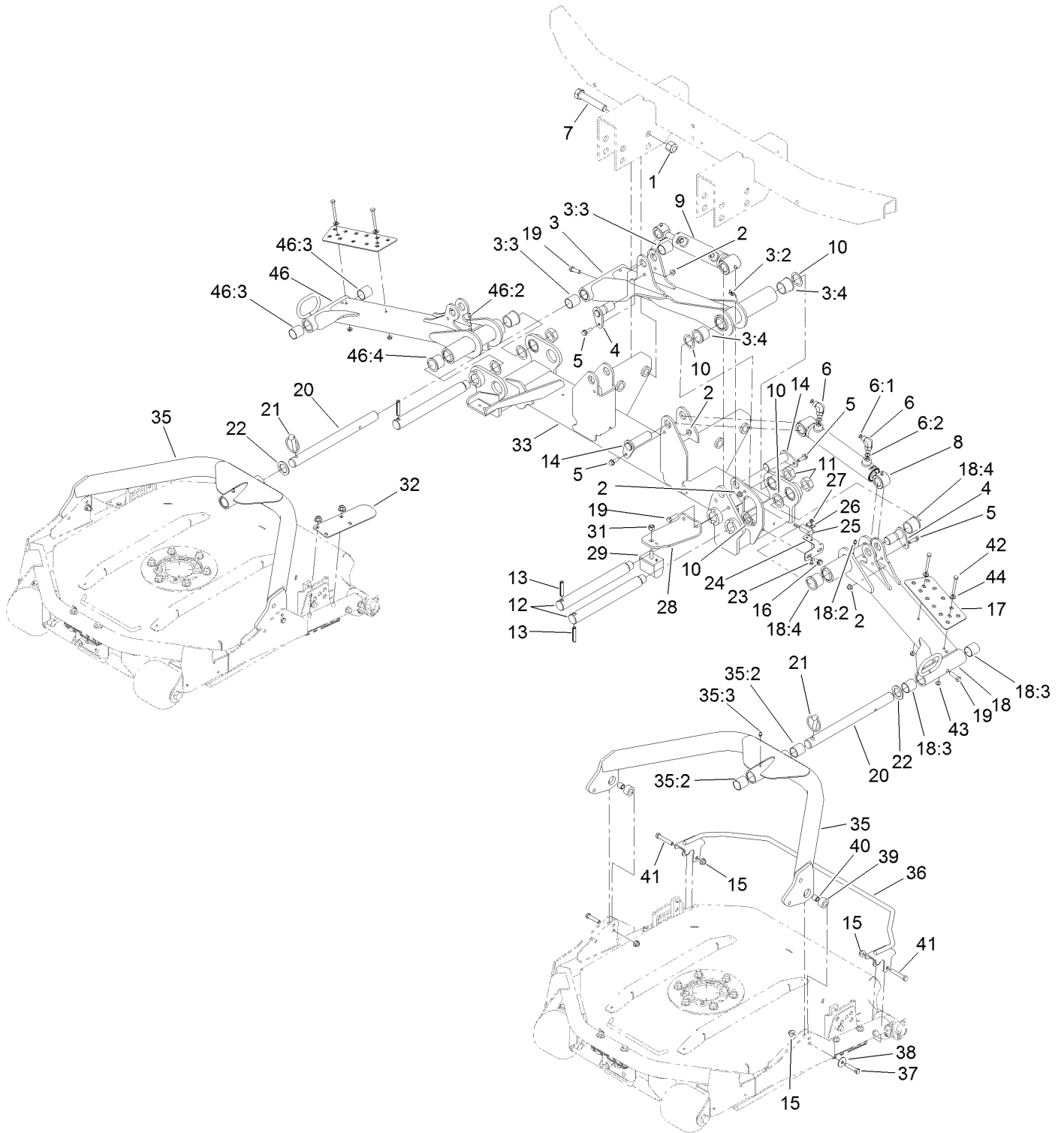


Hydraulic Motor Assembly No. 117-4769

<i>Ref.</i>	<i>Part Number</i>	<i>Qty.</i>	<i>Description</i>
1	115-4110	1	Seal Kit
1:1		2	Seal-Shaft ●
1:2		2	Seal-Plate, Balancing ●
1:3		2	Seal-Anti Extrusion ●
1:4		2	O-Ring (Housing) ●

● Not serviced separately

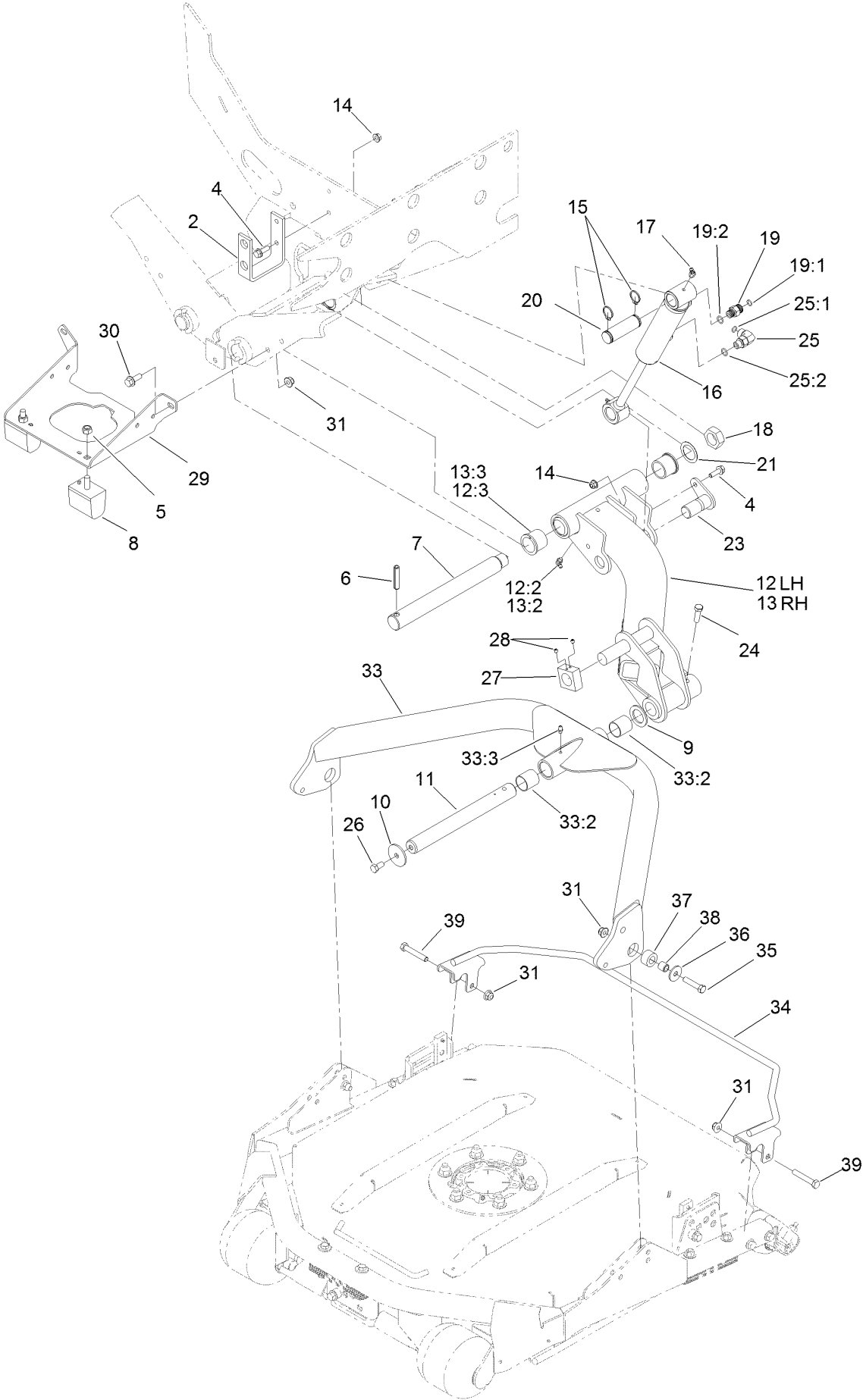
No. 1, No. 4 and No. 5 Lift Arm and Deck Assembly



No. 1, No. 4 and No. 5 Lift Arm and Deck Assembly (continued)

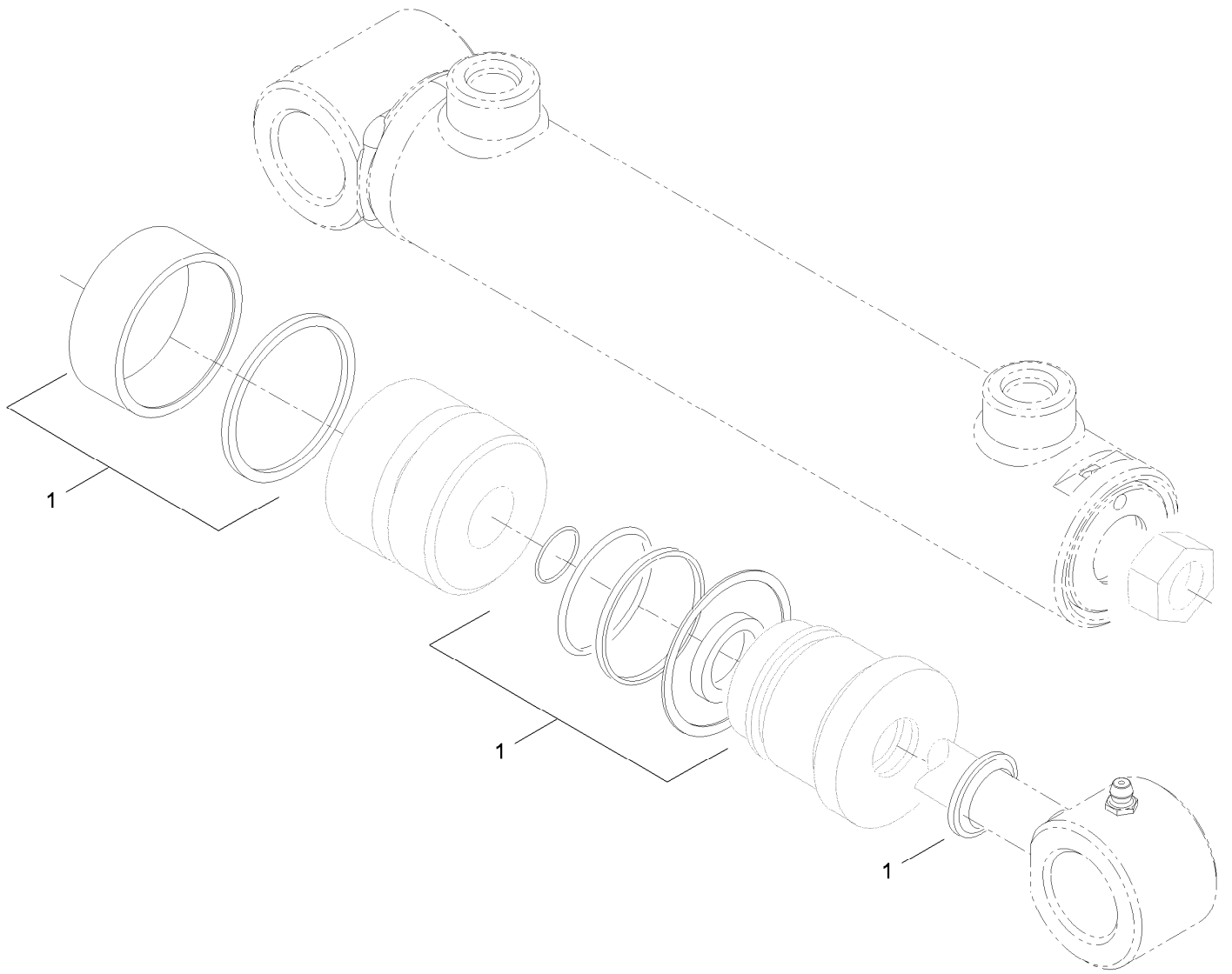
<i>Ref.</i>	<i>Part Number</i>	<i>Qty.</i>	<i>Description</i>	<i>Ref.</i>	<i>Part Number</i>	<i>Qty.</i>	<i>Description</i>
1	3296-51	4	Nut-Lock, NI	21	283-71	3	Pin-Lynch
2	104-8300	6	Nut-HF, NI	22	3-6781	3	Washer-Thrust
3	108-4032	1	No. 1 Lift Arm ASM	23	104-1450	2	Bolt-CARR
3:2	302-60	1	Fitting-Grease	24	104-5585	2	Bracket-Switch
3:3	108-4000	2	Bushing	25	106-9288	2	Sensor-Proximity, Ferrous
3:4	104-0015	2	Bushing-Flange	26	100-4872	2	Plate-Switch, Neutral
4	104-5525	3	Pin-Cylinder	27	32149-7	2	Nut-Keps
5	3234-17	6	Screw-HHF	28	104-5689-03	1	Bracket-Support, Bumper
6	340-77	6	Fitting-Elbow, 90 DEG	29	87-3470	2	Bumper
6:1	237-22	1	O-Ring	31	33025-00	2	Nut-Lock, NI
6:2	237-42	1	O-Ring	32	105-9831-03	2	Bracket-Bumper, No. 1
7	328-7	4	Screw-HH	33	104-5680-03	1	Frame-Carrier, Front
8	107-1979	2	Lift Cylinder ASM	35	115-3453	3	Carrier Frame ASM
9	107-1980	1	Lift Cylinder ASM	35:2	108-4000	2	Bushing
10	76-2980	6	Washer-Thrust	35:3	302-5	1	Fitting-Grease
11	3296-49	3	Nut-Lock, NI	36	112-9900-03	2	Guard-Foot
12	95-7158	3	Pin-Pivot	37	323-52	6	Screw-HH
13	32121-110	3	Pin-Roll, Slotted	38	93-8806	6	Washer-Hardened
14	105-9889	3	Pin-Cylinder	39	105-9823	6	Bushing-Carrier
15	104-8301	12	Nut-HF, NI	40	105-9822	6	Spacer
16	32104-32	4	Screw-HWH	41	323-11	4	Screw-HH
17	105-3987-03	2	Plate-Skid	42	321-15	4	Screw-HH
18	108-4033	1	No. 4 Lift Arm ASM	43	32128-33	4	Nut-HF
18:2	302-5	1	Fitting-Grease	44	3256-23	4	Washer-Plain
18:3	108-4000	2	Bushing	46	108-4034	1	No. 5 Lift Arm ASM
18:4	104-0015	2	Bushing-Flange	46:2	302-5	1	Fitting-Grease
19	323-7	5	Screw-HH	46:3	108-4000	2	Bushing
20	108-4023	3	Shaft-Carrier, Pivot	46:4	104-0015	2	Bushing-Flange

No. 2 and 3 Lift Arm and Deck Assembly



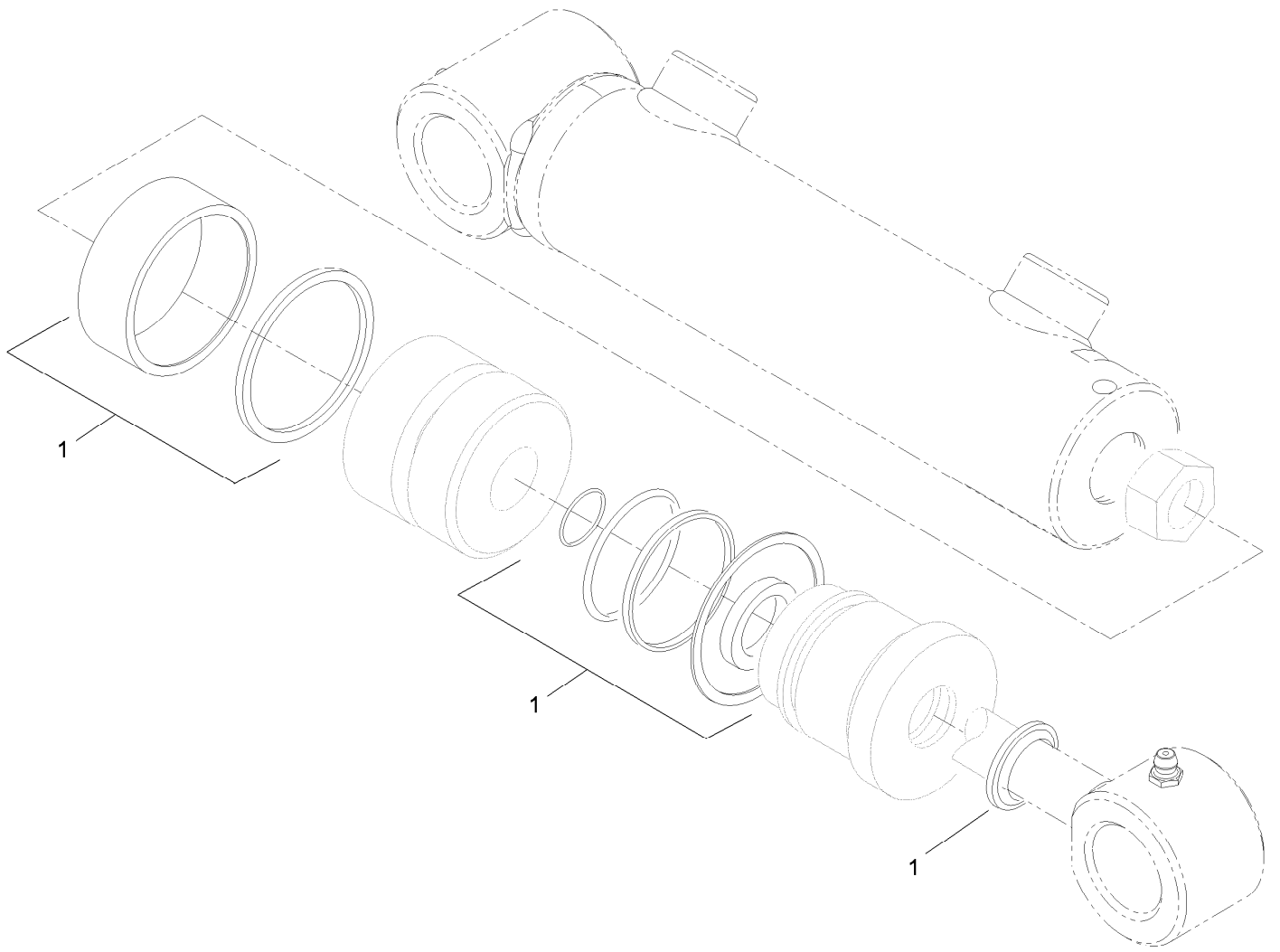
No. 2 and 3 Lift Arm and Deck Assembly (continued)

<i>Ref.</i>	<i>Part Number</i>	<i>Qty.</i>	<i>Description</i>	<i>Ref.</i>	<i>Part Number</i>	<i>Qty.</i>	<i>Description</i>
2	105-3992-03	1	Bracket-Bulkhead	20	92-7548	2	Pin-Cylinder
4	3234-17	4	Screw-HHF	21	76-2980	2	Washer-Thrust
5	33025-00	2	Nut-Lock, NI	23	104-5525	2	Pin-Cylinder
6	32121-110	2	Pin-Roll, Slotted	24	323-7	2	Screw-HH
7	95-7158	2	Pin-Pivot	25	340-77	2	Fitting-Elbow, 90 DEG
8	87-3470	2	Bumper	25:1	237-22	1	O-Ring
9	3-6781	2	Washer-Thrust	25:2	237-42	1	O-Ring
10	63-7400	2	Washer-Rebound	26	323-4	2	Screw-HH
11	105-9827	2	Shaft	27	105-9839	2	Stop-Rotation, No. 2 And 3
12	105-9202	1	No. 2 Lift Arm ASM	28	3245-1	4	Screw-Set, HSH
12:2	302-60	1	Fitting-Grease	29	119-3941-03	1	Support-Bumper, Rear
12:3	104-0015	2	Bushing-Flange	30	3234-11	3	Screw-HHF
13	105-9203	1	No. 3 Lift Arm ASM	31	104-8301	11	Nut-HF, NI
13:2	302-60	1	Fitting-Grease	33	115-3453	2	Carrier Frame ASM
13:3	104-0015	2	Bushing-Flange	33:2	108-4000	2	Bushing
14	104-8300	4	Nut-HF, NI	33:3	302-5	1	Fitting-Grease
15	32151-36	4	Ring-Retaining	34	112-9900-03	2	Guard-Foot
16	107-1978	2	HYD Cylinder ASM	35	323-52	4	Screw-HH
17	302-11	2	Fitting-Lube, 45 DEG	36	93-8806	4	Washer-Hardened
18	3296-49	2	Nut-Lock, NI	37	105-9823	4	Bushing-Carrier
19	340-2	2	Fitting-Straight	38	105-9822	4	Spacer
19:1	237-22	1	O-Ring	39	323-11	4	Screw-HH
19:2	237-42	1	O-Ring				



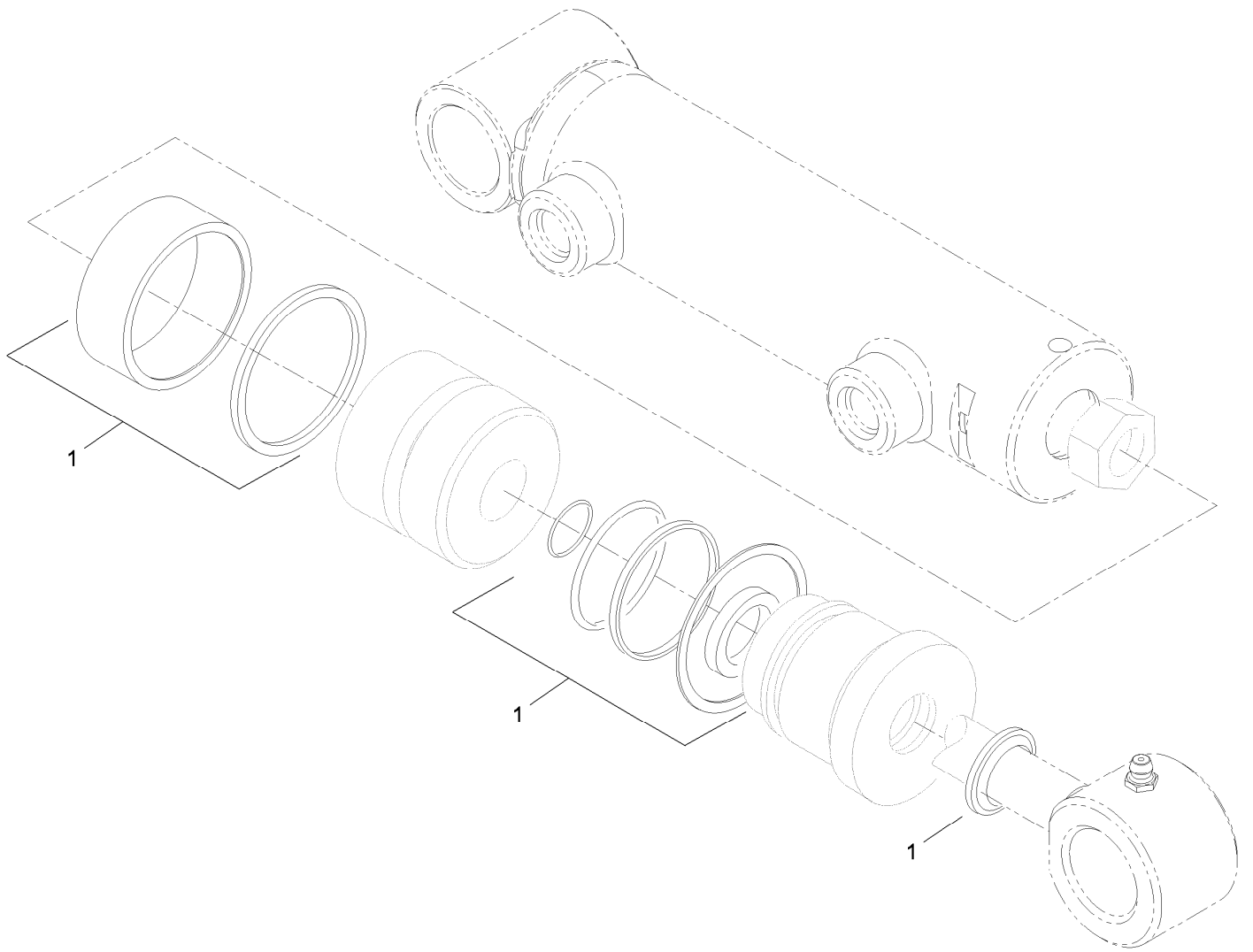
Hydraulic Cylinder Assembly No. 107-1979

<i>Ref.</i>	<i>Part Number</i>	<i>Qty.</i>	<i>Description</i>
1	107-1977	1	Seal Kit



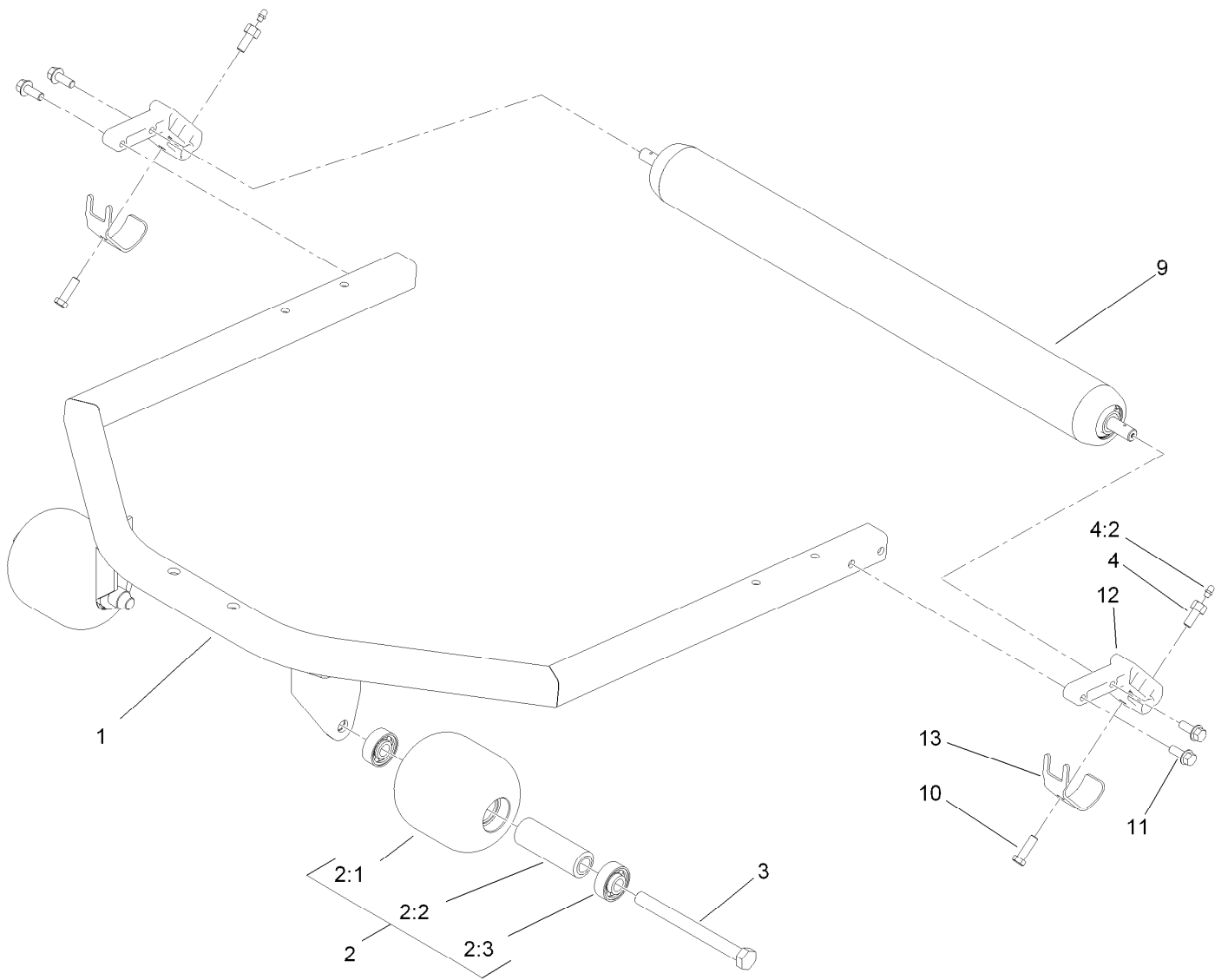
Hydraulic Cylinder Assembly No. 107-1980

<i>Ref.</i>	<i>Part Number</i>	<i>Qty.</i>	<i>Description</i>
1	107-1977	1	Seal Kit



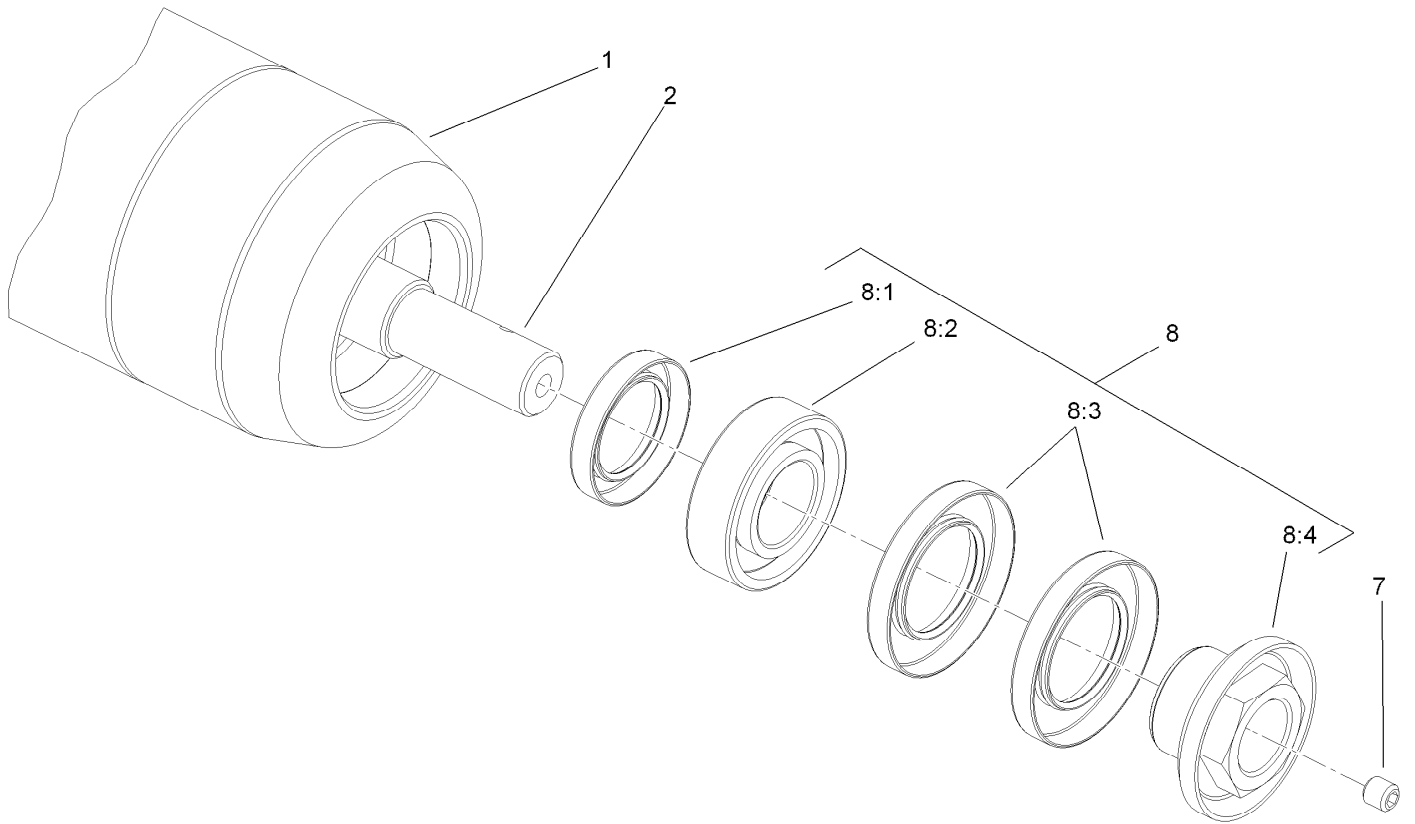
Hydraulic Cylinder Assembly No. 107-1978

<i>Ref.</i>	<i>Part Number</i>	<i>Qty.</i>	<i>Description</i>
1	107-1977	1	Seal Kit



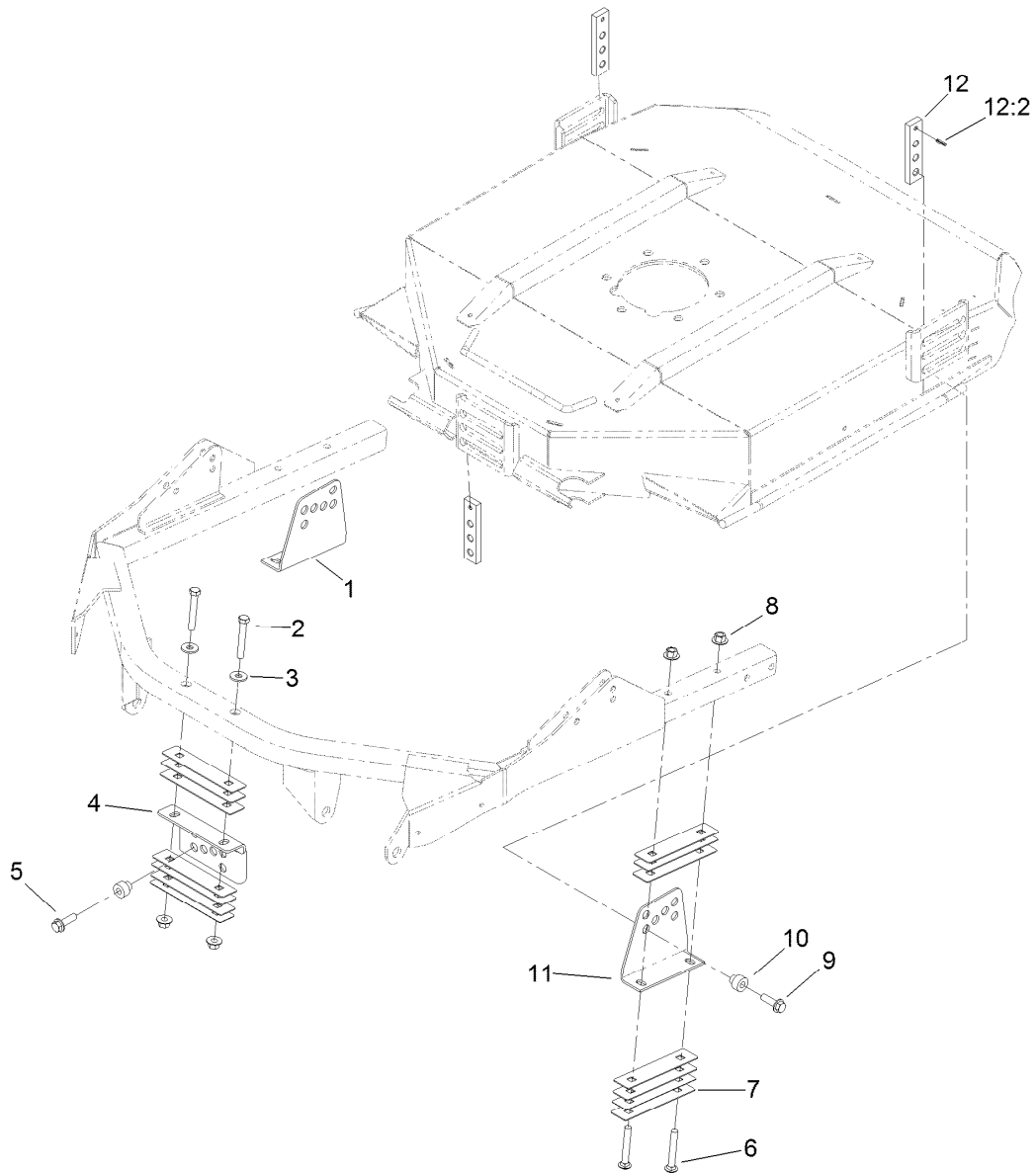
Roller and Carrier Frame Assembly

Ref.	Part Number	Qty.	Description
1	100-5780-03	1	Frame-Deck
2	115-3418	2	Roller ASM
2:1	104-1093	1	Roller
2:2	100-5762	1	Spacer-Bearing
2:3	120-3366	2	Bearing
3	327-15	2	Screw-HH
4	112-5270	2	Roller Shaft Screw ASM
4:2	302-5	1	Fitting-Grease
9	112-5265	1	Roller ASM
10	323-7	2	Screw-HH
11	3234-11	4	Screw-HHF
12	112-5268	2	Mount-Roller
13	107-7816	2	Bracket-Skid



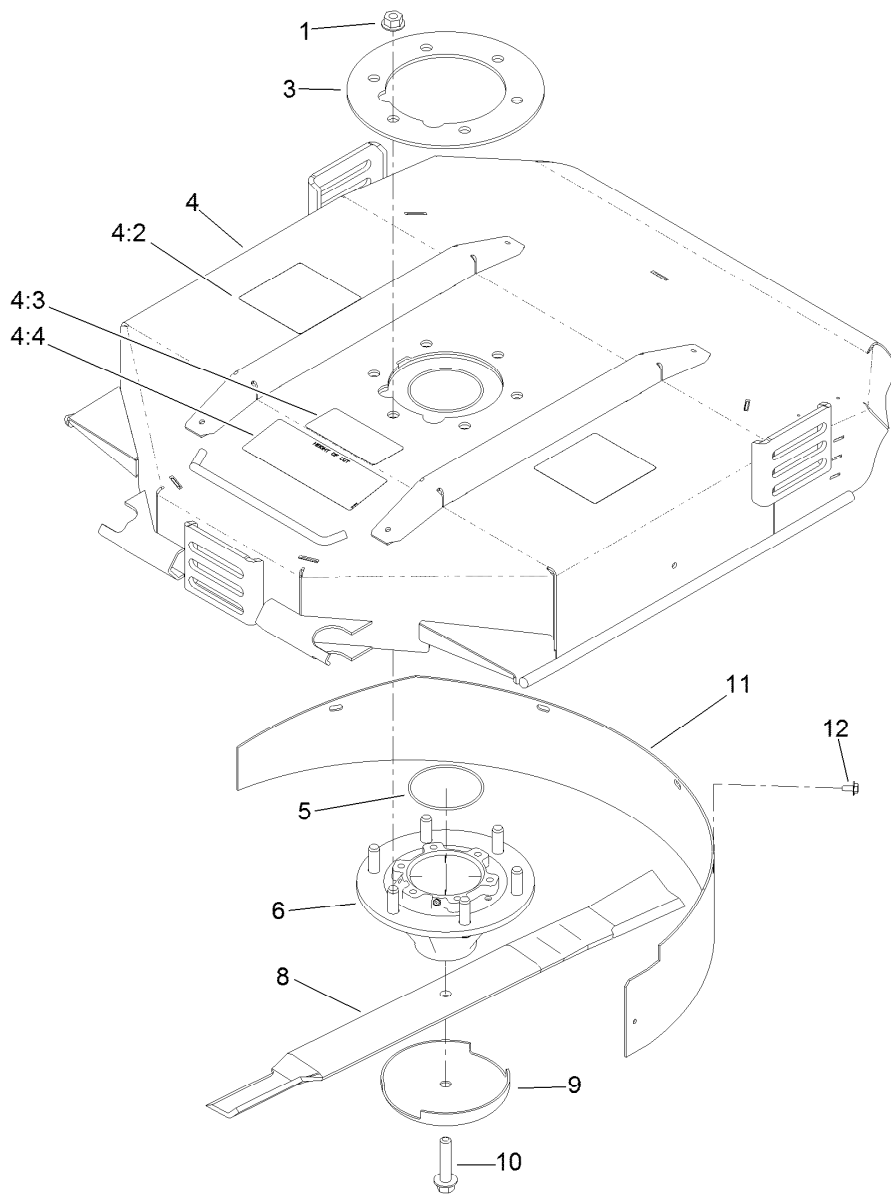
Roller Assembly No. 112-5265

<i>Ref.</i>	<i>Part Number</i>	<i>Qty.</i>	<i>Description</i>
1	112-5274-03	1	Tube ASM
2	117-5100	1	Shaft-Rear Roller
7	108-0989	2	Screw-Set
8	114-5430	1	Rm/Gm Roller Rebuild Kit
8:1	114-3717	2	Seal-Oil
8:2	112-5290	2	Bearing-Steel, Stainless
8:3	112-7494	4	Seal
8:4	114-5411	2	Nut-Lock, Bearing



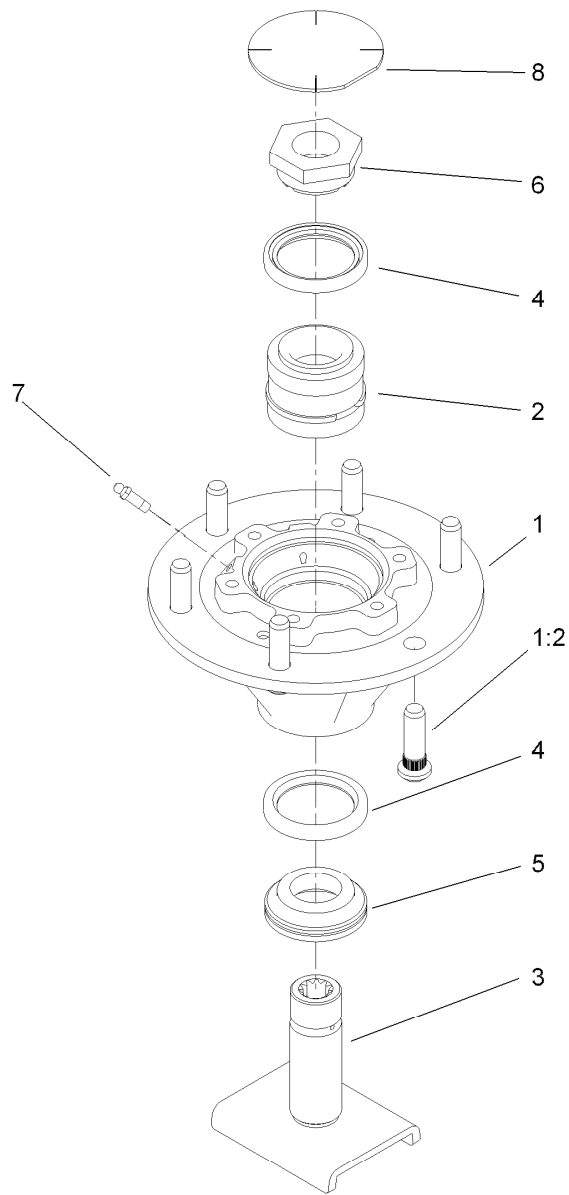
Height-of-Cut Bracket Assembly

Ref.	Part Number	Qty.	Description
1	100-5797-03	1	Bracket-HOC, RH
2	323-12	2	Screw-HH
3	80-6990	2	Washer-Hardened
4	104-1052-03	1	Bracket-HOC, Front
5	100-5799	18	Shim-HOC, .060 Inch
6	3231-9	4	Screw-CARR
7	104-4641	3	Shim-HOC, .030 Inch
8	32128-43	6	Nut-Flange
9	3234-24	3	Screw-HHF
10	105-9226	3	Spacer-HOC
11	104-4624-03	1	Bracket-HOC, LH
12	105-9225	3	HOC Plate ASM
12:2	32121-3	1	Pin-Spring



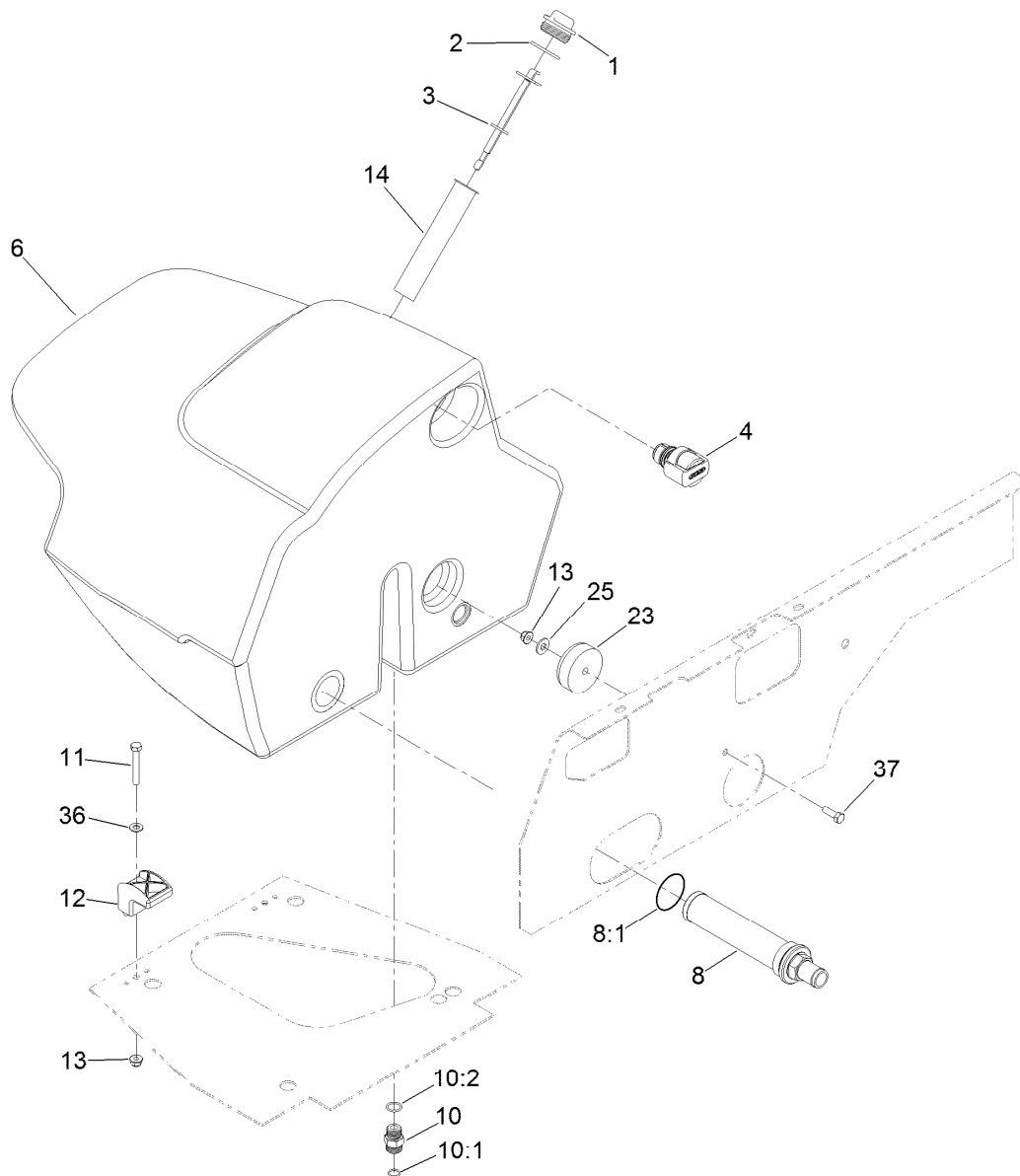
Chamber, Blade and Spindle Assembly

Ref.	Part Number	Qty.	Description
1	32128-39	6	Nut-HHF
3	104-1051-03	1	Plate-Spindle
4	115-3479	1	Chamber ASM
4:2	117-4764	2	Decal-Danger
4:3	93-7818	1	Decal-Torque, Blade Bolt
4:4	104-1086	1	Decal-HOC
5	237-161	1	O-Ring
6	115-3435	1	Spindle ASM
8	107-0235-03	1	Blade-Atomic
8	108-9026-03	1	Blade-Combo
9	72-9361	1	Cup-Scalp, Anti
10	92-5816	1	Bolt-Blade
11	108-9025-01	1	Baffle-Mulching
12	46-8560	5	Screw-HHFTF



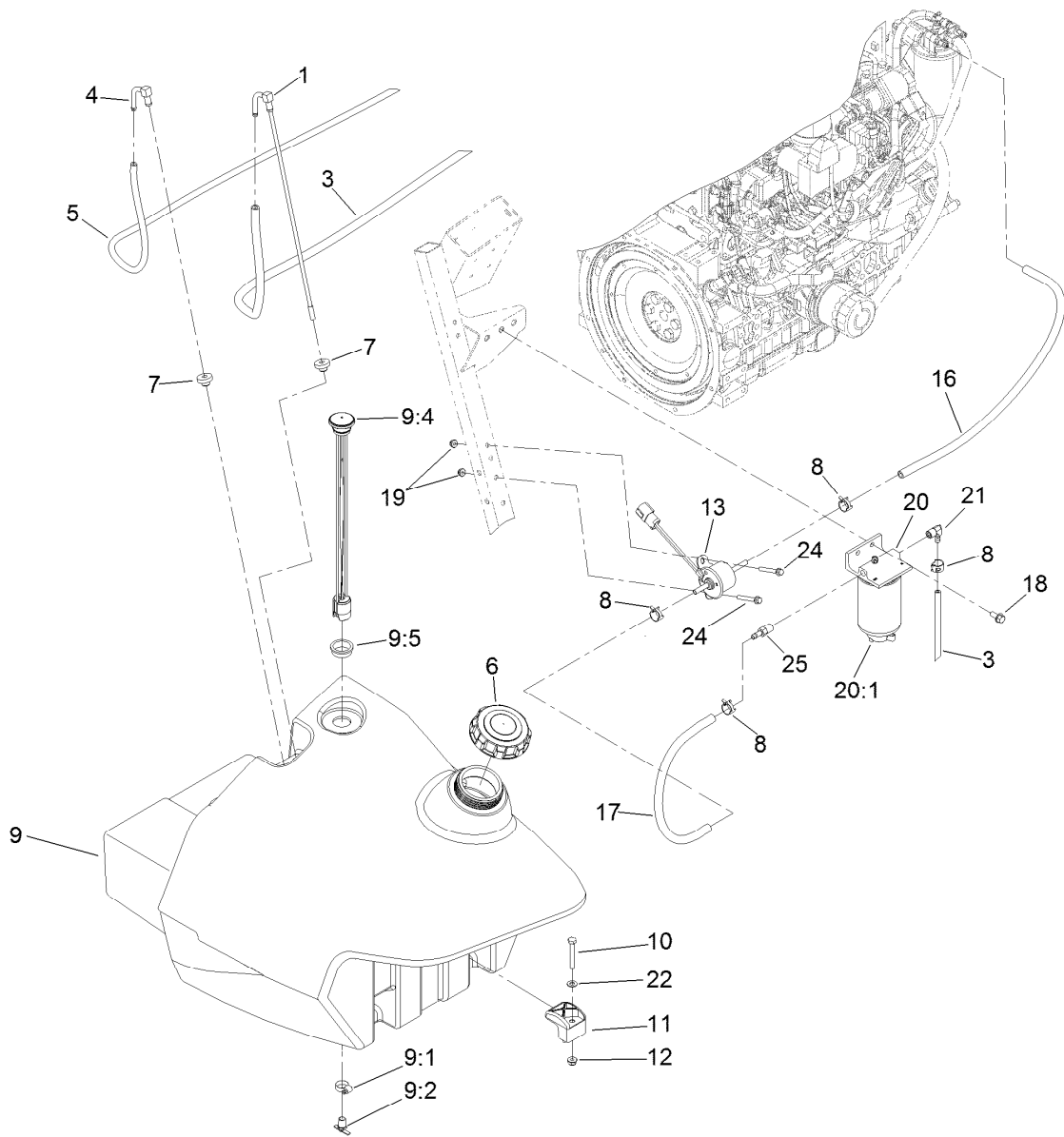
Spindle Assembly No. 115-3435

<i>Ref.</i>	<i>Part Number</i>	<i>Qty.</i>	<i>Description</i>
1	115-3434	1	Spindle
1:2	10-6830	6	Stud-Type, Drive
2	100-5703	1	Spacer And Bearing ASM
3	100-5705	1	Spindle Shaft ASM
4	253-154	2	Seal-Oil
5	69-6950	1	Spacer-Shaft, Spindle
6	100-5709	1	Nut-Spindle, Spcl
7	302-62	2	Fitting-Grease
8	94-2703	1	Plug



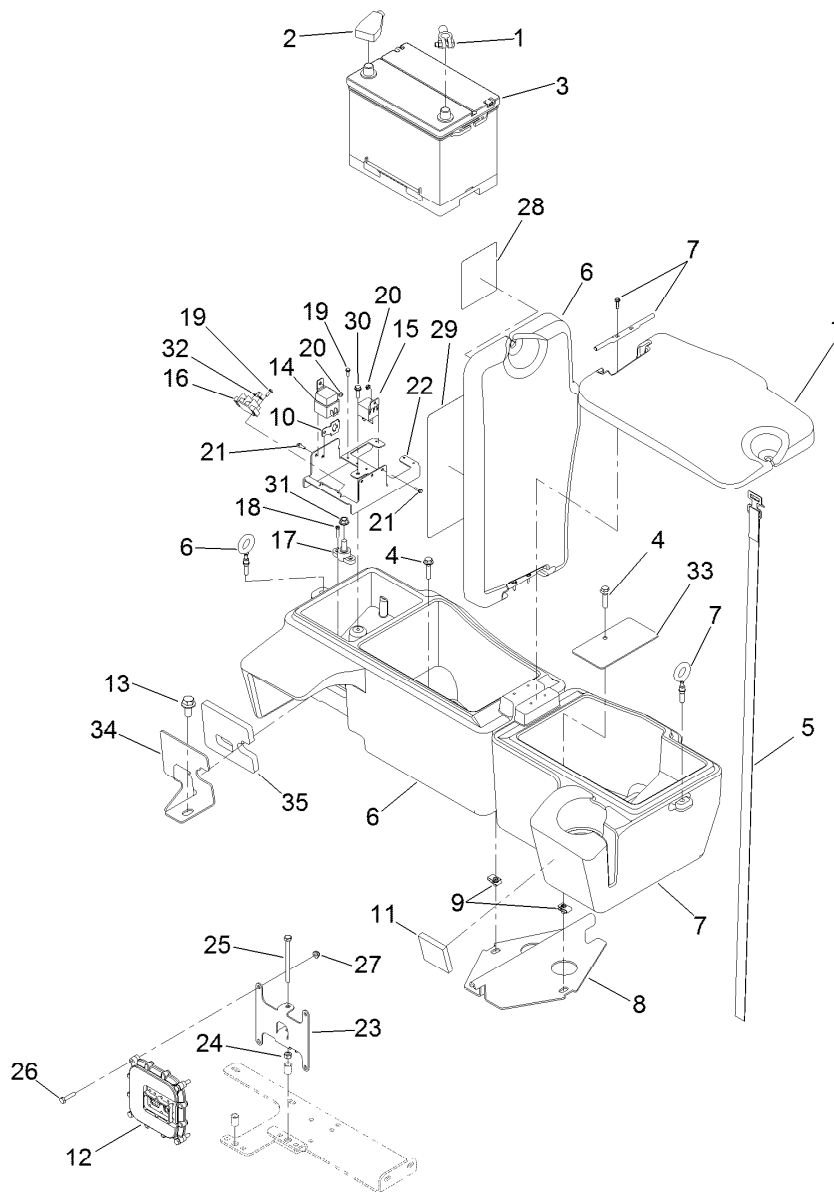
Hydraulic Tank Assembly

<i>Ref.</i>	<i>Part Number</i>	<i>Qty.</i>	<i>Description</i>	<i>Ref.</i>	<i>Part Number</i>	<i>Qty.</i>	<i>Description</i>
1	93-7498	1	Plug-Plastic	10:2	237-79	1	O-Ring
2	237-101	1	O-Ring	11	322-11	2	Screw-HH
3	119-6968	1	Dipstick-Oil	12	107-4543	2	Clamp
4	115-9793	1	Breather	13	104-8300	3	Nut-HF, NI
6	119-0017	1	Tank-HYD	14	61-2790	1	Filter-Screen
8	104-7546	1	Tank Strainer ASM	23	108-1605	1	Bumper-Recess
8:1	340-136	1	O-Ring	25	3256-3	1	Washer-Flat
10	340-4	1	Fitting-Straight	36	3256-23	2	Washer-Plain
10:1	237-30	1	O-Ring	37	322-5	1	Screw-HH



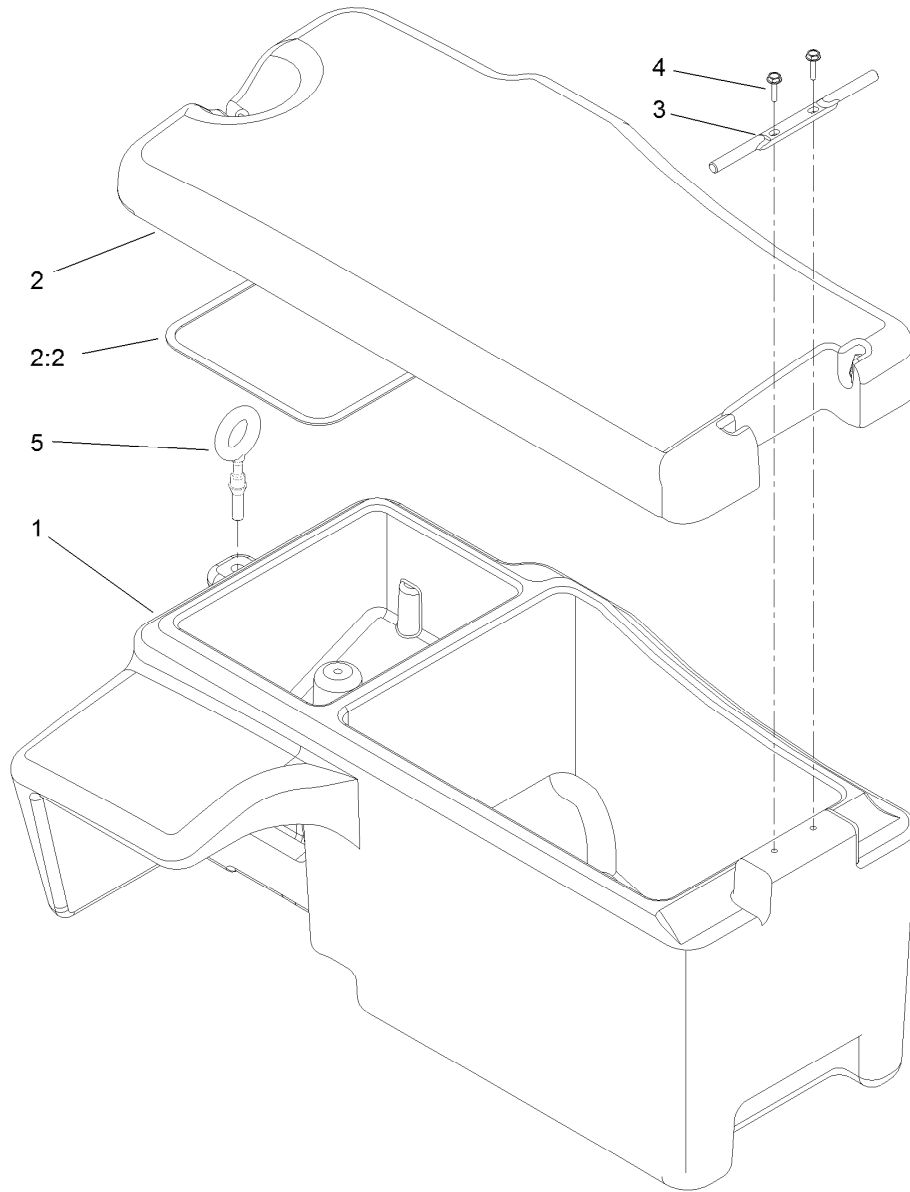
Fuel System Assembly

<i>Ref.</i>	<i>Part Number</i>	<i>Qty.</i>	<i>Description</i>	<i>Ref.</i>	<i>Part Number</i>	<i>Qty.</i>	<i>Description</i>
1	115-4354	1	Tube-Suction, Fuel	11	107-4543	2	Clamp
3	108-3282	1	Hose-Fuel	12	104-8300	2	Nut-HF, NI
4	121-3127	1	Fitting-Return	13	121-5613	1	Pump-Fuel, Electric
5	119-0577	1	Hose-Fuel	16	109-0308	1	Hose-Fuel
6	125-9172	1	Cap-Fuel, Diesel, Ultra Low Sulfur	17	110-4101	1	Hose-Fuel
7	46-6560	2	Bushing	18	3234-5	2	Screw-HHF
8	92-2379	8	Clamp-Hose	19	104-7201	2	Nut-HF
9	115-4353	1	Fuel Tank ASM	20	125-2914	1	Filter-Separator
9:1	2412-36	1	Clamp-Hose	20:1	125-2915	1	Filter-Fuel/Water Separator
9:2	304-46	1	Draincock	21	353-781	1	Fitting-HYD, 90
9:4	117-4790	1	Guage-Fuel	22	3256-23	2	Washer-Plain
9:5	95-8972	1	Grommet	24	3234-34	2	Screw-HHF
10	322-11	2	Screw-HH	25	353-783	1	Fitting-STR



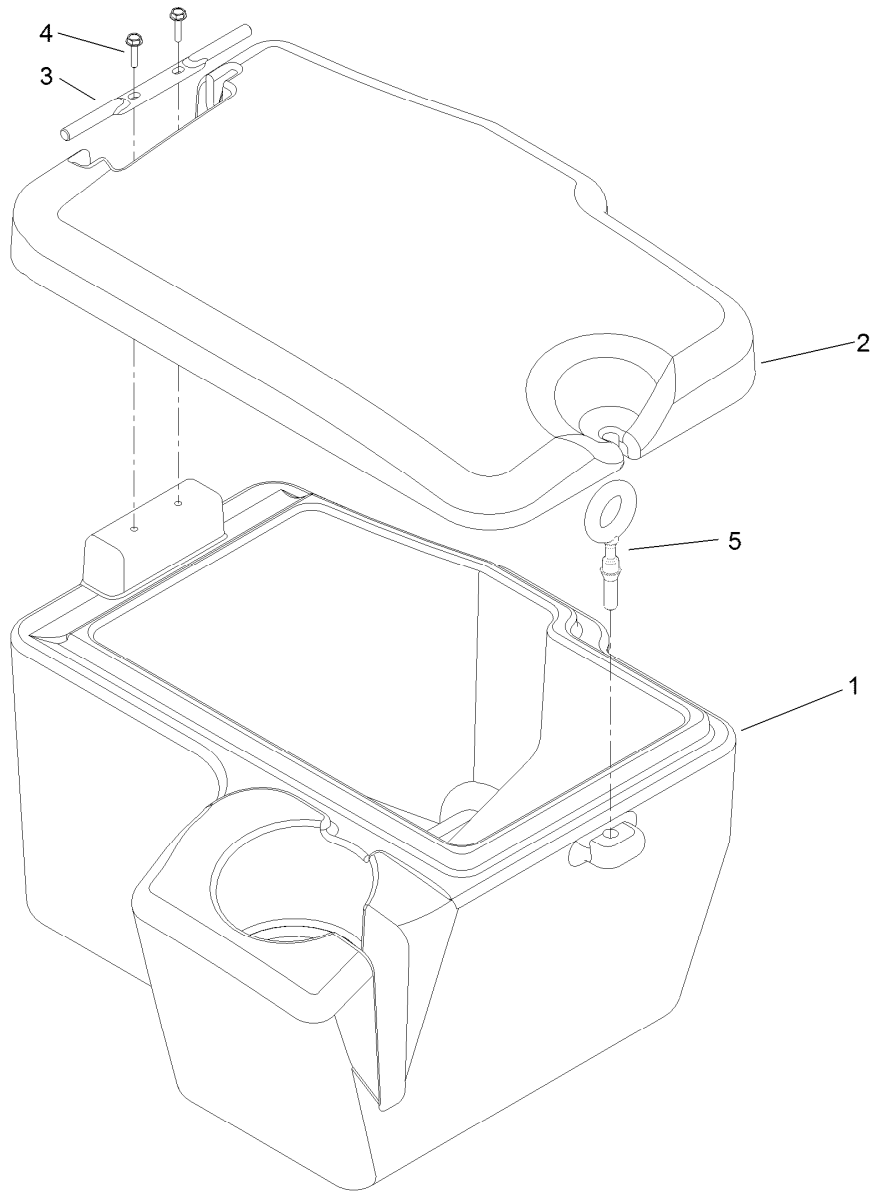
Battery and Controller Assembly

Ref.	Part Number	Qty.	Description	Ref.	Part Number	Qty.	Description
1	117-2377	1	Cable-Battery, Negative	19	32144-87	6	Screw-HWHTF
2	121-6589	1	Cable-Battery, Positive	20	3296-54	5	Nut-Lock
3	106-5190	1	Battery	21	112-3169	5	Screw-HHF, Serrated
4	115-1794	2	Screw-HHF	22	115-4356-03	1	Mount-Fuse Block
5	3339-175	1	Strapping-Web	23	117-2360-03	1	Bracket-Mount, Controller
6	115-9100	1	Box-Storage, Battery	24	3217-6	1	Nut-Hex
7	115-9101	1	Box-Storage	25	322-19	1	Screw-HH
8	115-4387-03	1	Support-Box, Storage	26	321-8	4	Screw-HH
9	112-3306	2	Nut	27	104-7201	4	Nut-HF
10	114-5502	1	Clip-Fuse	28	125-4605	1	Decal-Fuse
11	117-4783	2	Seal-Foam	29	125-4606	1	Decal-Service
12	114-3321	1	Controller-Tec	30	46-8091	1	Screw-HWH
13	3234-6	1	Screw-HHF	31	3290-357	1	Nut-HHF, Whiz
14	99-7430	1	Relay-Mini	32	42863	1	Strip-Jumper
15	99-7435	3	Relay	33	117-4768-03	1	Plate-Box, Storage
16	42862	1	Block-Terminal, Ground	34	117-4774-03	1	Clamp
17	110-8822	1	Block-Junction	35	117-4775	1	Seal-Battery Box
18	93-0231	2	Screw-PPH				



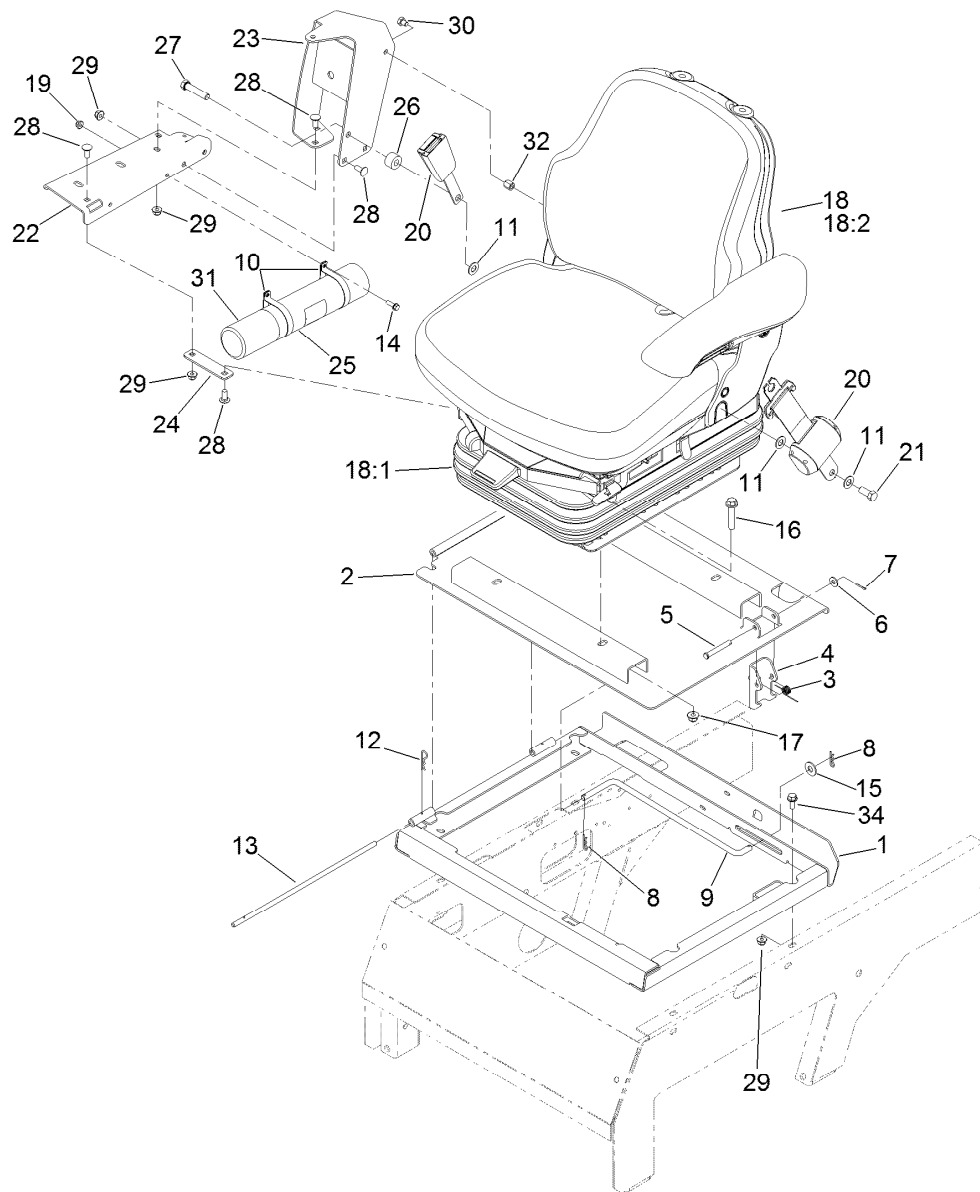
Battery Storage Box Assembly No. 115-9100

<i>Ref.</i>	<i>Part Number</i>	<i>Qty.</i>	<i>Description</i>
1	114-8124	1	Box-Storage, RH
2	115-4368	1	Cover ASM
2:2	115-4367	1	Seal-Cover
3	114-8132	1	Hinge-Cover
4	98-1375	2	Screw-HWH
5	115-4366	1	Latch-Rubber



Storage Box Assembly No. 115-9101

<i>Ref.</i>	<i>Part Number</i>	<i>Qty.</i>	<i>Description</i>
1	114-8123	1	Box-Storage, LH
2	114-8125	1	Cover-Storage Box, LH
3	114-8132	1	Hinge-Cover
4	98-1375	2	Screw-HWH
5	115-4366	1	Latch-Rubber

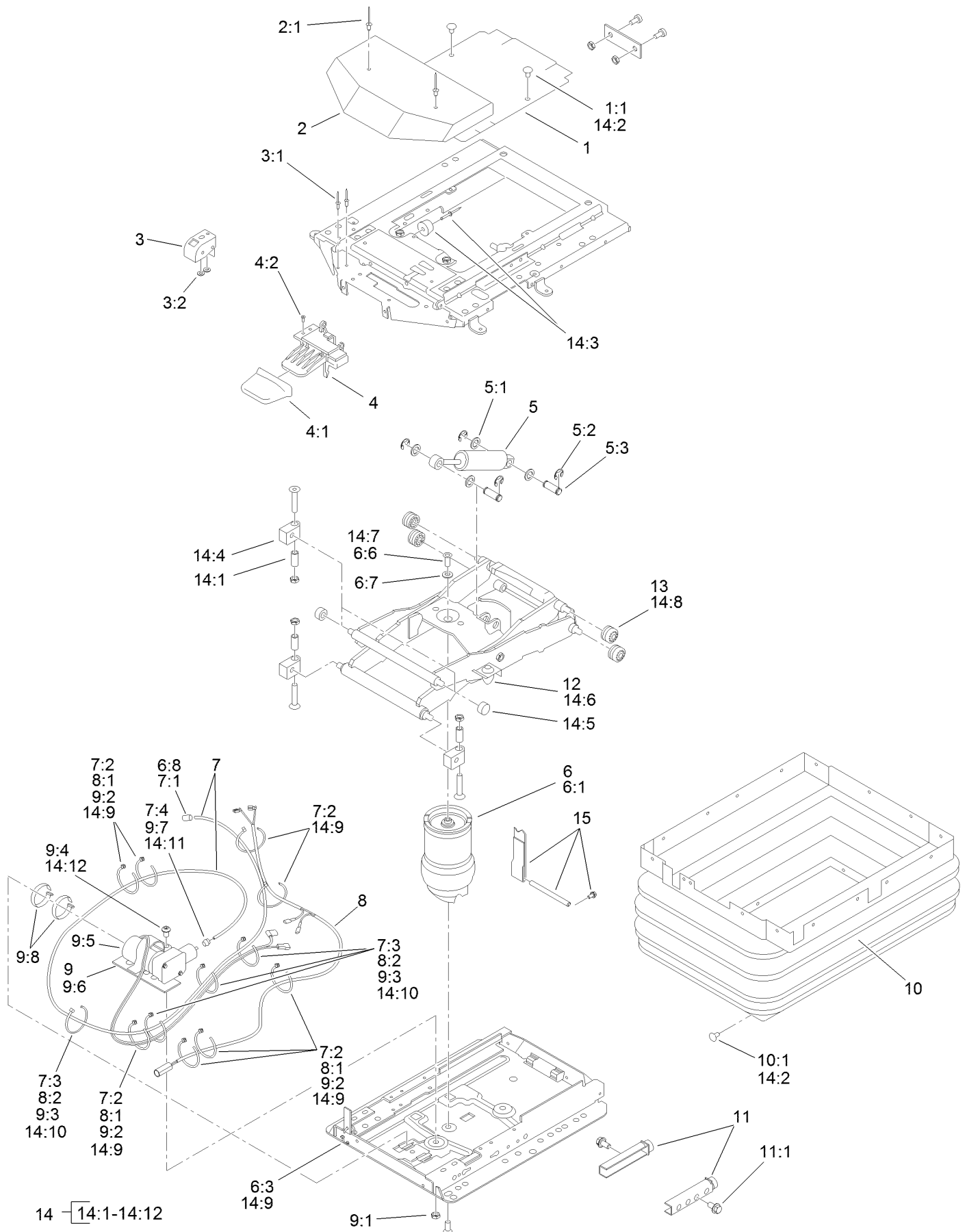


Seat Mounting Assembly

Ref.	Part Number	Qty.	Description	Ref.	Part Number	Qty.	Description
1	115-4400-03	1	Frame-Seat	18:1	108-1488	1	Seat Suspension ASM
2	115-4411-03	1	Plate-Seat	18:2	117-5676	1	Premium Seat ASM
3	104-4821	1	Spring-Torsion	19	104-7201	2	Nut-HF
4	115-4423-03	1	Latch-Seat Plate	20	110-0413	1	Seatbelt-Retractable
5	110-0618	1	Pin-Clevis	21	3212-4	1	Screw-HH
6	3256-2	1	Washer-Flat	22	119-0000-03	1	Channel-Support
7	3272-6	1	Pin-Cotter	23	117-4798-03	1	Arm-Support
8	3290-307	4	Pin-Cotter	24	112-7449-03	1	Bracket-Support
9	117-4797-03	2	Rod-Seat Frame	25	104-7050	1	Tube-Manual
10	107-1865	2	R-Clamp	26	17-7190	1	Spacer-Finger
11	3256-25	3	Washer-Flat	27	3212-8	1	Screw-HH
12	3290-467	1	Pin-Hair	28	3230-23	6	Screw-CARR
13	75-3400	1	Shaft-Pivot, Seat	29	104-8300	9	Nut-HF, NI
14	32105-15	2	Screw-HWH	30	108-8646	1	Screw-HH, Lock
15	3256-4	2	Washer-Flat	31	104-7048	1	Cap-Housing
16	66-9302	4	Screw-HHF, Whiz	32	112-7405	1	Nut-Hex, Coupling
17	104-8301	4	Nut-HF, NI	34	3234-47	4	Screw-HHF
18		1	Seat And Suspension ASM				

● Not serviced separately

Air Ride Seat Suspension Assembly No. 108-1488

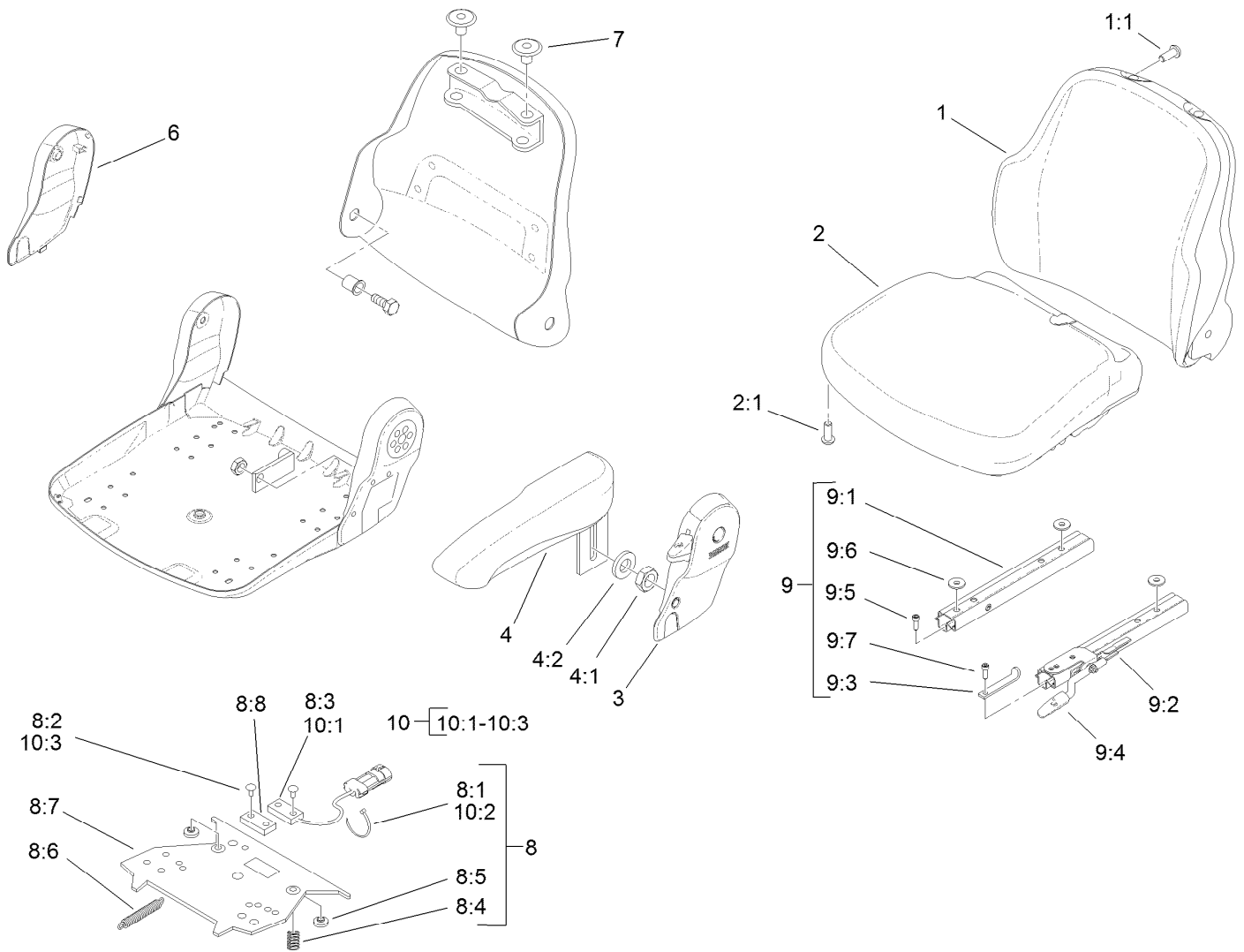


Air Ride Seat Suspension Assembly No. 108-1488 (continued)

<i>Ref.</i>	<i>Part Number</i>	<i>Qty.</i>	<i>Description</i>	<i>Ref.</i>	<i>Part Number</i>	<i>Qty.</i>	<i>Description</i>
1	108-8026	1	Cover ASM	9:1		1	Nut ■
1:1	39-5710	2	Plug-Plastic	9:2		5	Tie-Wire ■
2	108-8027	1	Cover	9:3		4	Tie-Wire ■
2:1		2	Rivet ■	9:4		1	Screw ■
3	108-8028	1	Level Indicator Kit	9:5		1	Compressor ■
3:1		2	Rivet ■	9:6		1	Plate-Mounting ■
3:2		2	Washer ■	9:7		1	Nipple-Hose ■
4	108-8029	1	Valve-Control, Air	9:8		2	Clamp ■
4:1		1	Handle ■	10	108-8035	1	Bellows ASM
4:2		3	Screw ■	10:1	39-5710	23	Plug-Plastic
5	108-8030	1	Shock Absorber Kit	11	108-8036	1	Stop Kit
5:1		4	Washer ■	11:1		2	Screw ■
5:2		4	C-Clip ■	12	107-1213	2	Bumper Set
5:3		2	Pin ■	13	108-8037	4	Roller
6	108-8031	1	Air Spring Kit	14	108-8038	1	Wear Parts Kit ●
6:1		1	Air Spring ■	14:1		4	Spacer ■
6:3		2	Cable Tie ■	14:2	39-5710	2	Plug-Plastic
6:6		2	Screw ■	14:3		1	Bumper ■
6:7		1	Washer ■	14:4		4	Support-Housing ■
6:8		1	Nipple-Hose ■	14:5		2	Roller ■
7	108-8032	1	Air Tube ASM	14:6	107-1213	2	Bumper Set
7:1		1	Nipple-Hose ■	14:7		2	Screw ■
7:2		7	Tie-Wire ■	14:8	108-8037	4	Roller
7:3		4	Tie-Wire ■	14:9		9	Tie-Wire ■
7:4		1	Nipple-Hose ■	14:10		4	Tie-Wire ■
8	108-8033	1	Connecting Cable ASM	14:11		1	Nipple-Hose ■
8:1		8	Tie-Wire ■	14:12		1	Screw ■
8:2		4	Tie-Wire ■	15	119-2161	1	Tether Kit
9	108-8034	1	Compressor Kit				

● Not illustrated

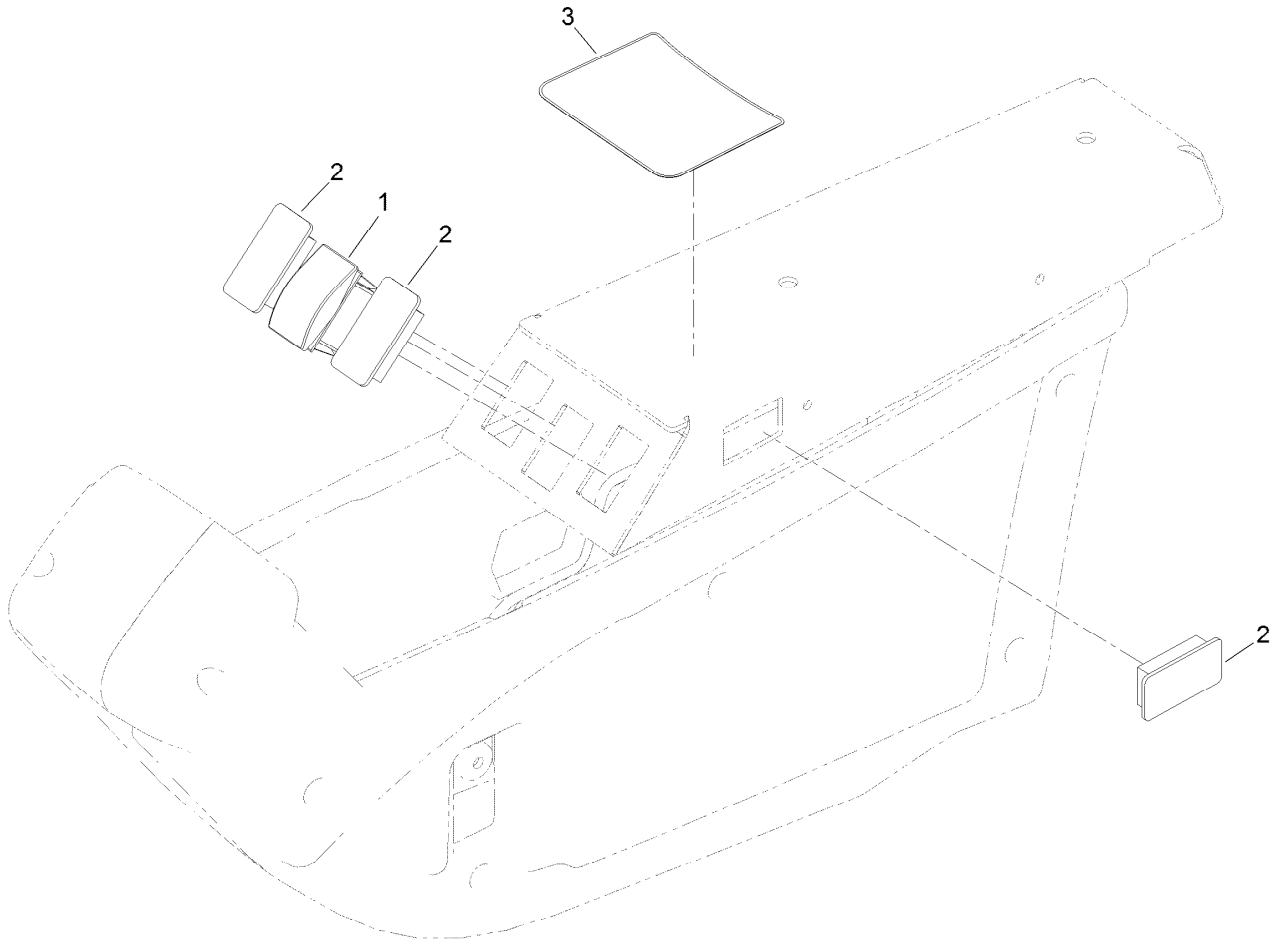
■ Not serviced separately



Vinyl Premium Seat Assembly No. 117-5676

Ref.	Part Number	Qty.	Description	Ref.	Part Number	Qty.	Description
1	108-8016	1	Backrest Cushion ASM	8:6		1	Spring-Extension ●
1:1	119-7742	4	Screw-Cushion	8:7		1	Plate-Mounting ●
2	108-8017	1	Seat Cushion ASM	8:8		1	Magnet ●
2:1	119-7742	3	Screw-Cushion	9	108-8025	1	Adjustment Rail Set
3	108-8018	1	Cover-Armrest	9:1		1	Rail-Adjustment, RH ●
4	108-8019	1	LH Armrest ASM	9:2		1	Rail-Adjustment, LH ●
4:1	82-9650	1	Nut	9:3		1	Stop-Rail ●
4:2	107-1198	1	Washer	9:4		1	Handle ●
6	108-8021	1	Cover-Armrest	9:5		3	Screw ●
7	108-8022	2	Cover-Black	9:6		3	Washer ●
8	108-8024	1	Switch Kit	9:7		1	Screw ●
8:1		3	Wire Tie ●	10	110-6189	1	Switch Kit
8:2		4	Rivet ●	10:1		1	Switch ●
8:3		1	Sensor-Seat Switch ●	10:2		3	Wire Tie ●
8:4		2	Spring-Compression ●	10:3		2	Rivet ●
8:5		2	Bumper-Pressure Plate ●				

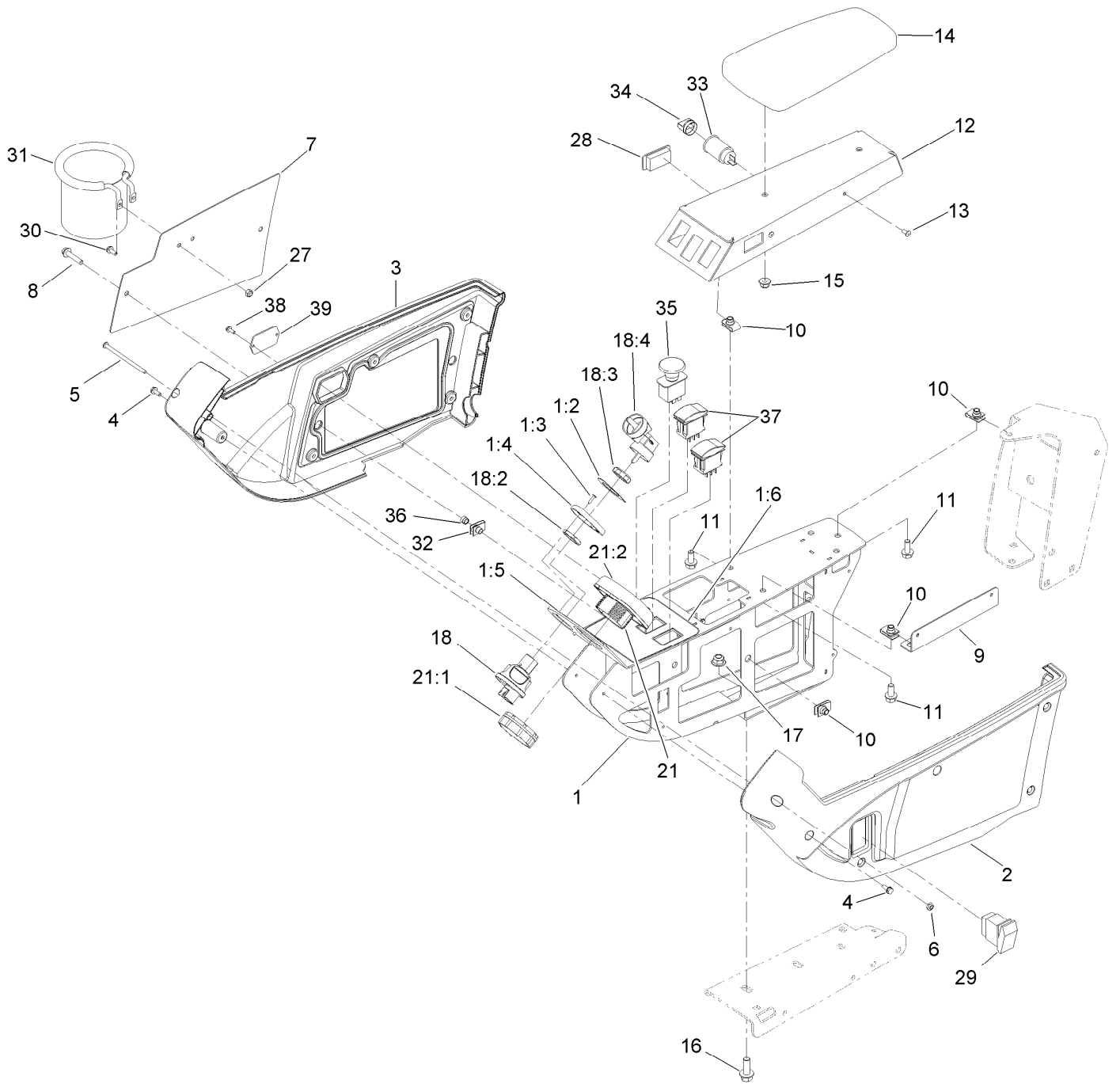
● Not serviced separately



Console Switch, Cover and Decal Assembly

<i>Ref.</i>	<i>Part Number</i>	<i>Qty.</i>	<i>Description</i>
1	100-1535	1	Switch-Rocker, (On)-Off-(On)
2	99-7420	3	Plug-Hole
3	125-4603	1	Decal-Lift

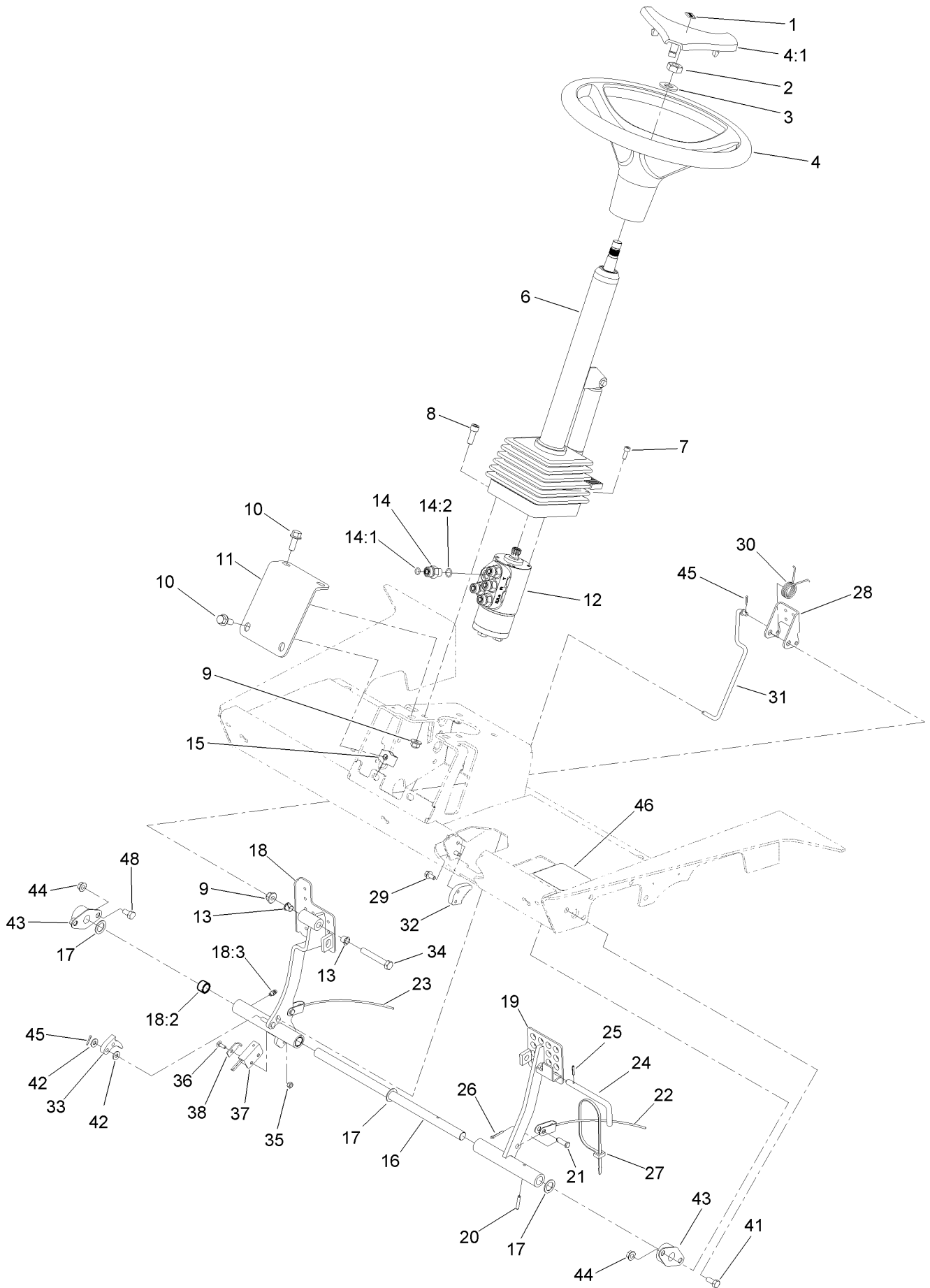
Console Assembly



Console Assembly (continued)

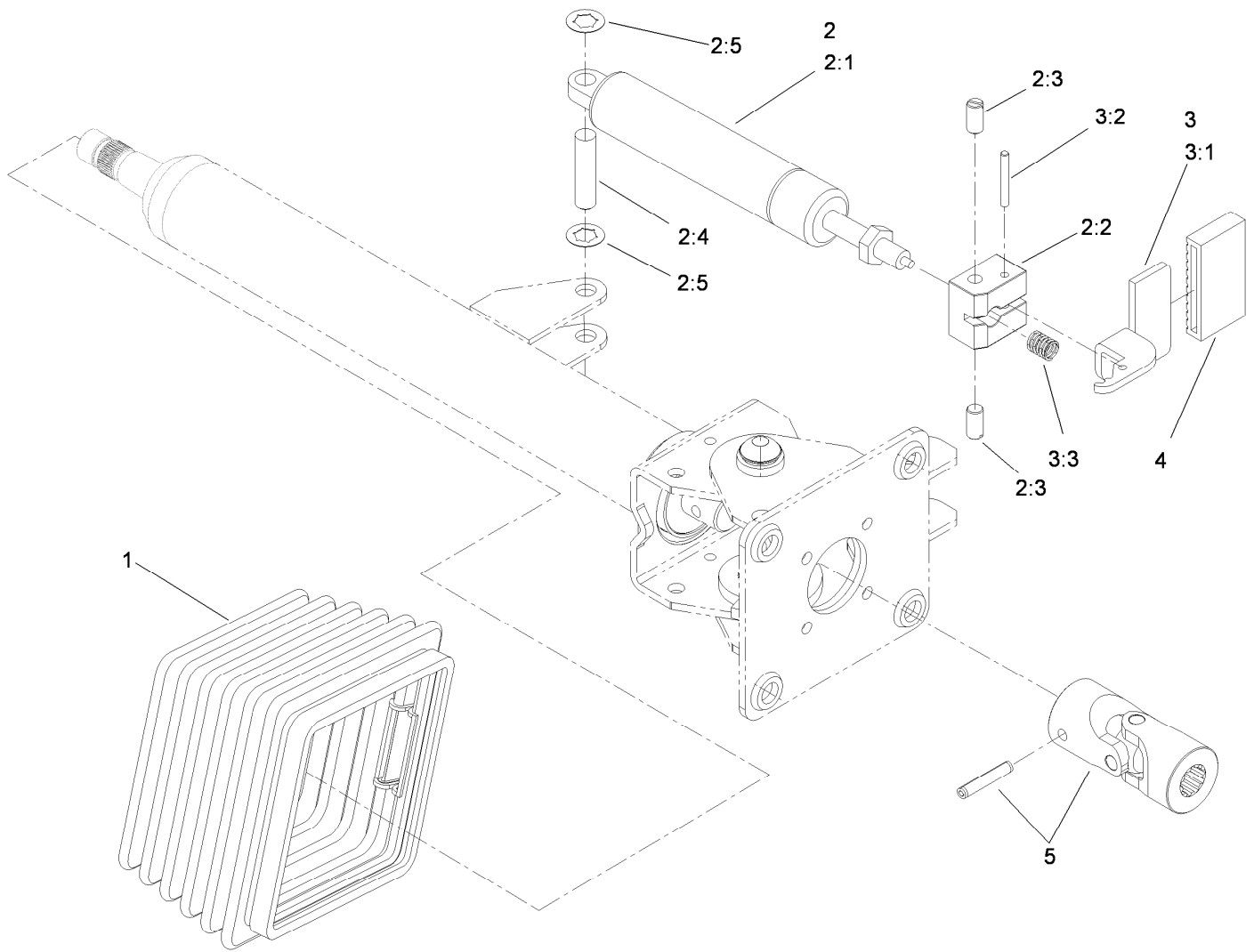
<i>Ref.</i>	<i>Part Number</i>	<i>Qty.</i>	<i>Description</i>	<i>Ref.</i>	<i>Part Number</i>	<i>Qty.</i>	<i>Description</i>
1	120-4155	1	Panel ASM	17	104-8301	2	Nut-HF, NI
1:2	121-3884	1	Decal-Console, Upper	18	121-5159	1	Ignition Switch ASM
1:3	3269-17	2	Rivet-Pop	18:2	121-5160	1	Nut-Hex
1:4	121-3889	1	Step-Elevated, Switch	18:3	121-5161	1	Nut-Face
1:5	121-3887	1	Decal-Console, Display	18:4	121-5162	1	Set-Key, Ignition
1:6	120-4159	1	Decal-Console, Lower	21	120-6310	1	LCD Display ASM
2	108-7604	1	Cover-LH	21:1	120-4630	1	Nut-Display
3	108-7605	1	Cover-RH	21:2	120-6311	1	Decal-Display
4	32144-112	10	Screw-HWH	27	3296-2	2	Nut-Lock, NI
5	3250-22	1	Screw-PPH	28	99-7420	1	Plug-Hole
6	3296-12	1	Nut-Lock, NI	29	95-8999	1	Switch
7	115-8849-03	1	Plate-Cover	30	3290-321	2	Screw-HWH
8	3234-21	2	Screw-HHF	31	117-2378	1	Holder-Bag
9	112-7404	1	Angle-Mounting	32	107069	2	Clip
10	94-2413	5	Nut-U	33	99-7411	1	Point-Power
11	3234-5	5	Screw-HHF	34	99-7416	1	Cap
12	117-2380-03	1	Panel-Switches, Control Arm	35	93-9999	1	Switch-PTO
13	3290-409	2	Rivet	36	110-0542	2	Spacer-Flange
14	108-7602	1	Rest-Arm	37	100-1535	2	Switch-Rocker, (On)-Off-(On)
15	104-8300	2	Nut-HF, NI	38	32144-18	2	Screw-HWH
16	3234-42	2	Screw-HHF	39	121-1630	1	Plate-Cover

Steering and Brake Assembly



Steering and Brake Assembly (continued)

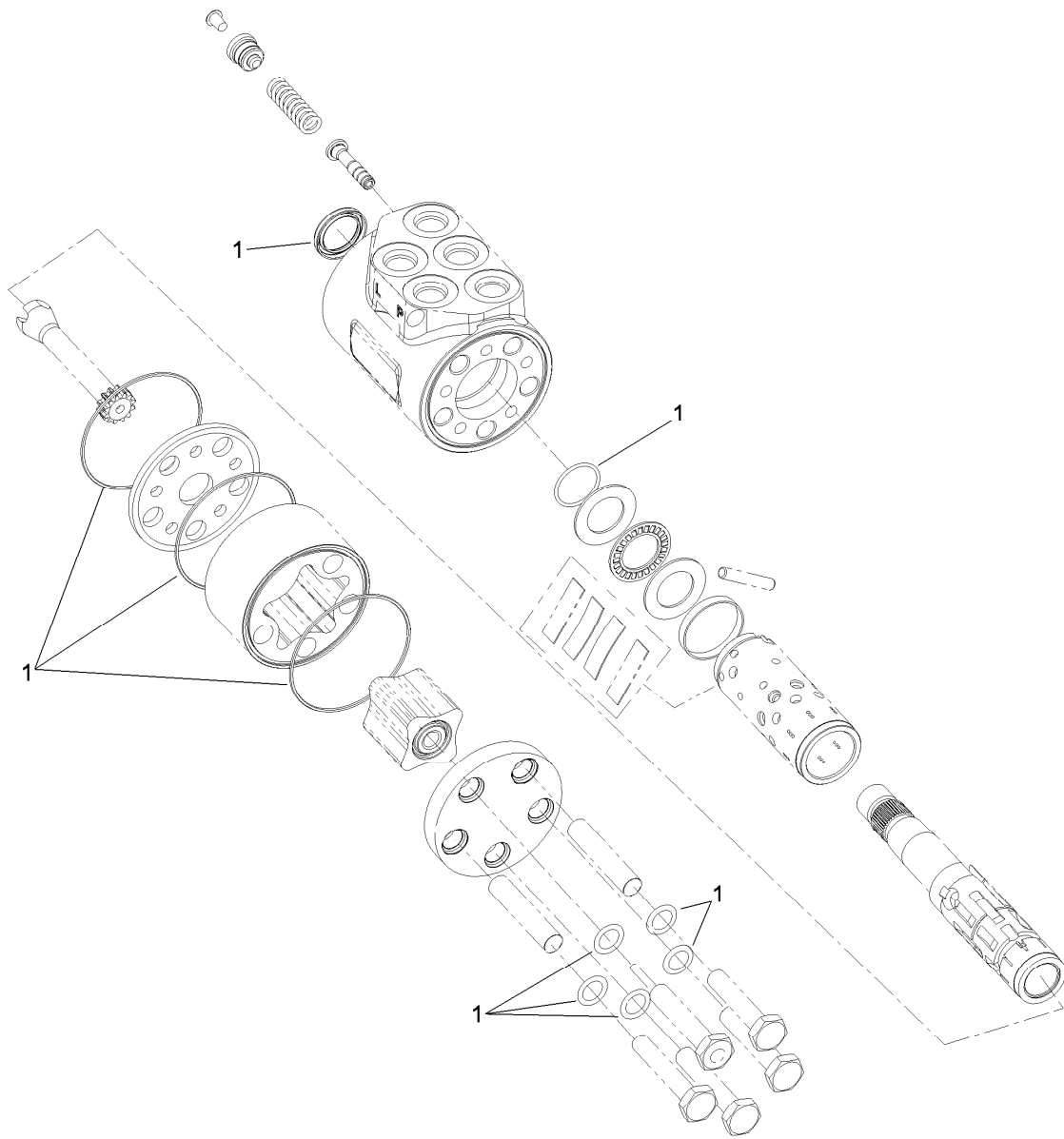
<i>Ref.</i>	<i>Part Number</i>	<i>Qty.</i>	<i>Description</i>	<i>Ref.</i>	<i>Part Number</i>	<i>Qty.</i>	<i>Description</i>
1	98-1459	1	Decal	22	92-7530	1	Cable-Brake, LH
2	3296-33	1	Nut-Lock, NI	23	92-7529	1	Cable-Brake, RH
3	3256-27	1	Washer-Flat	24	63-7880	1	Pin-Latch, Brake
4	98-1471	1	Wheel-Steering	25	32121-50	1	Pin-Spring
4:1	98-1468	1	Cover-Wheel, Steering	26	3272-10	2	Pin-Cotter
6	106-3622	1	Steering Tilt Column ASM	27	3290-378	1	Tie-Cable
7	105-2409	4	Screw-HSH	28	99-7963-03	1	Pedal-Park
8	3274-7	4	Screw-HSH	29	3234-13	2	Screw-HHF
9	104-8301	5	Nut-HF, NI	30	99-7140	1	Spring-Torsion
10	3234-11	4	Screw-HHF	31	115-4417	1	Rod-Brake Pawl
11	115-4379-01	1	Brace-Column	32	119-0002	1	Pawl-Brake
12	114-8119	1	Steering Valve ASM	33	120-1691	1	Detent-Brake
13	52-2891	2	Bushing-Flanged, Nylon	34	323-12	1	Screw-HH
14	340-2	5	Fitting-Straight	35	3296-2	1	Nut-Lock, NI
14:1	237-22	1	O-Ring	36	3229-34	1	Screw-CARR
14:2	237-42	1	O-Ring	37	100-1270	1	Switch-Proximity
15	112-4576	4	Nut-Clip, U	38	100-4872	1	Plate-Switch, Neutral
16	75-1470	1	Pin-Pivot, Brake	41	322-3	1	Screw-HH
17	3256-69	3	Washer-Flat	42	3256-22	3	Washer-Flat
18	119-0005	1	RH Brake Pedal ASM	43	256-236	2	Bearing-Mount, Flange
18:2	256-42	2	Bushing	44	32128-20	3	Nut-HF
18:3	302-5	1	Fitting-Grease	45	3272-5	3	Pin-Cotter
19	115-4421-03	1	Pedal-Brake, LH	46	117-4763	1	Decal-Brake
20	32121-16	1	Pin-Spring	48	322-2	2	Screw-HH
21	283-58	2	Pin-Clevis				



Steering Tilt Column Assembly No. 106-3622

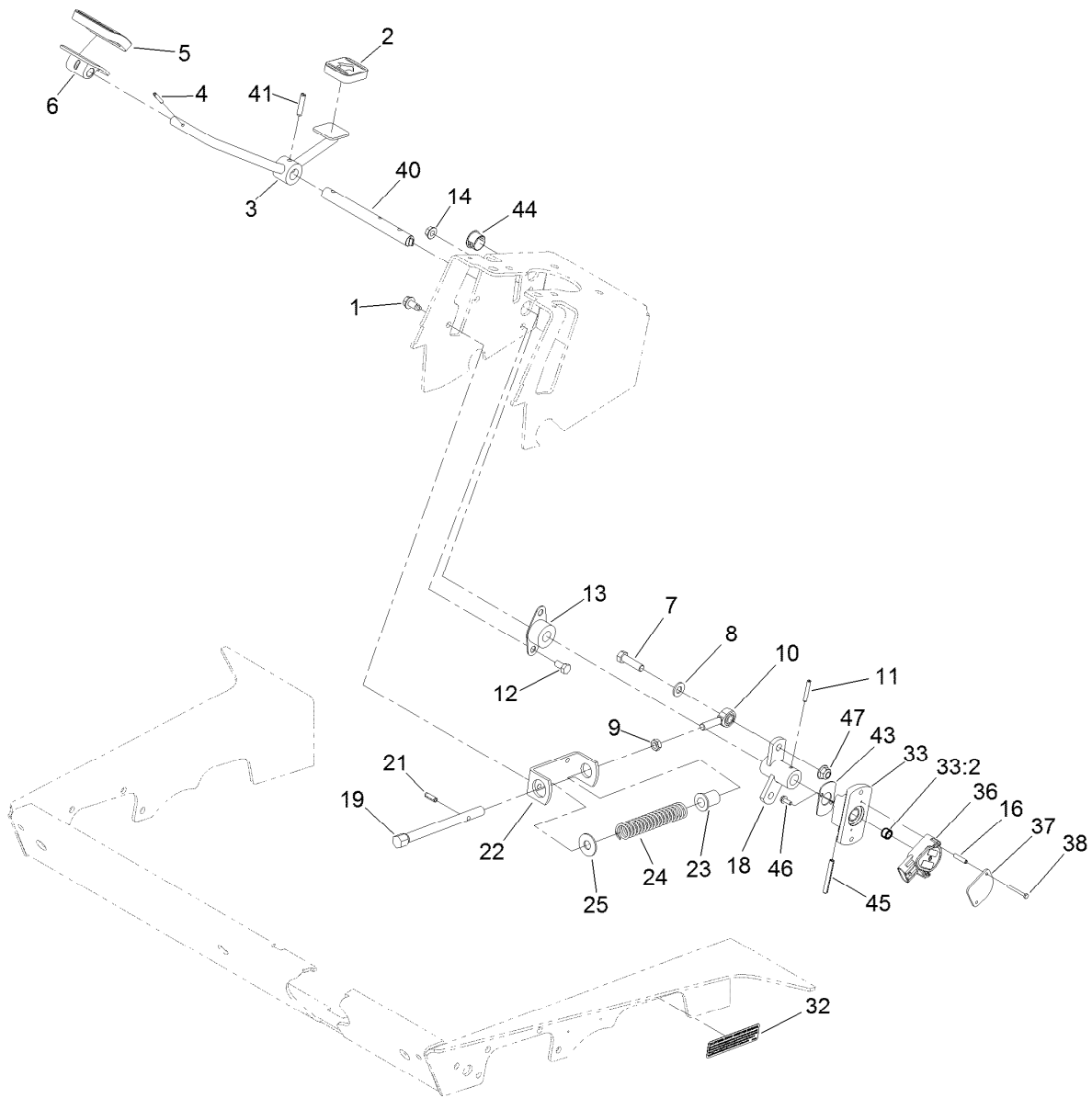
Ref.	Part Number	Qty.	Description
1	110-6462	1	Bellows-Rubber
2	110-6463	1	Cylinder Service Kit
2:1		1	Cylinder-Gas ●
2:2		1	Block-Pedal ●
2:3		2	Bolt ●
2:4		1	Pin ●
2:5		2	Washer-Lock ●
3	110-6464	1	Pedal Service Kit
3:1		1	Pedal ●
3:2		1	Pin ●
3:3		1	Spring ●
4	110-6465	1	Cover-Pedal
5	120-6256	1	Universal Joint Kit

● Not serviced separately



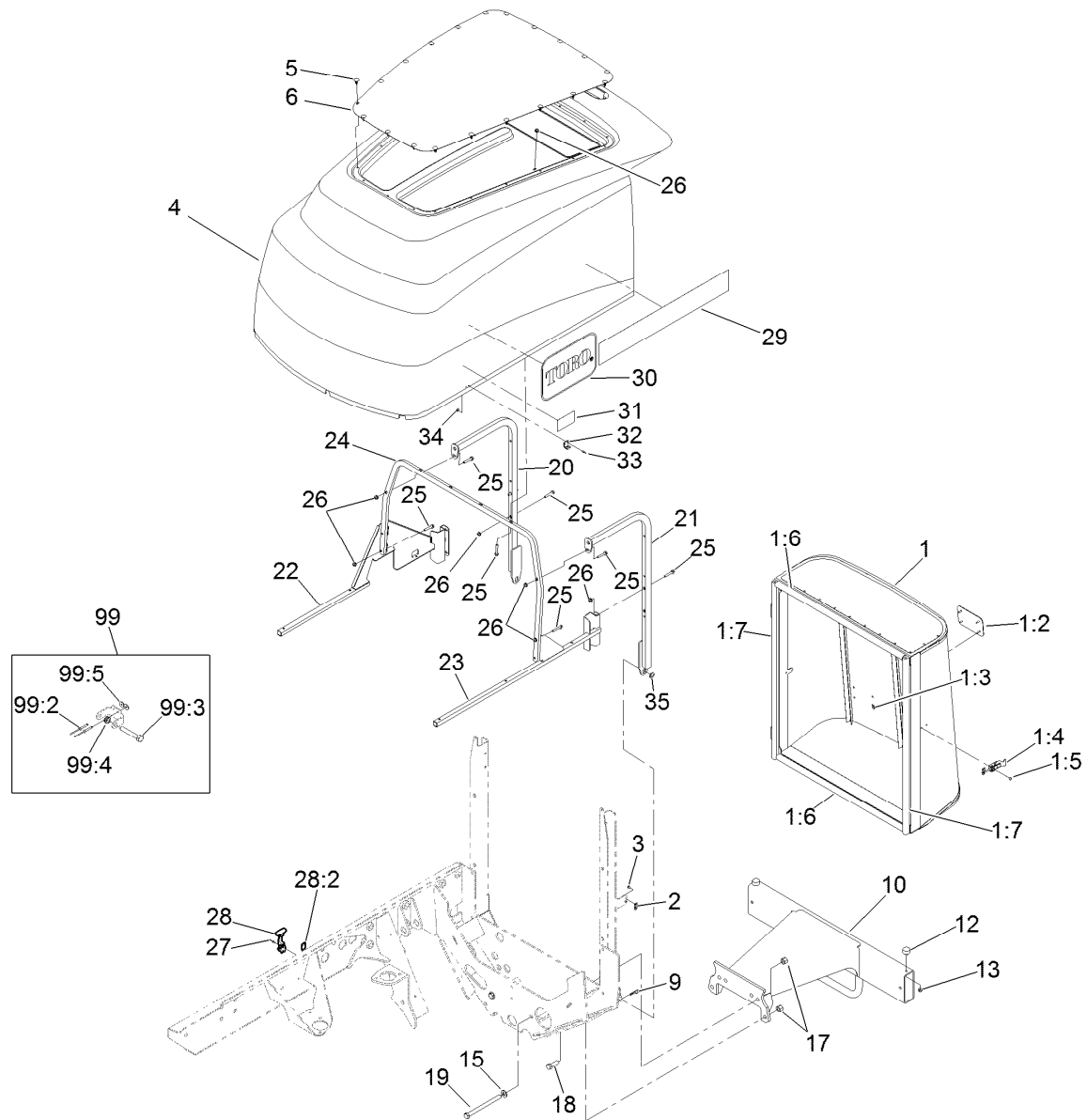
Steering Valve Assembly No. 114-8119

<i>Ref.</i>	<i>Part Number</i>	<i>Qty.</i>	<i>Description</i>
1	106-6716	1	Seal Kit



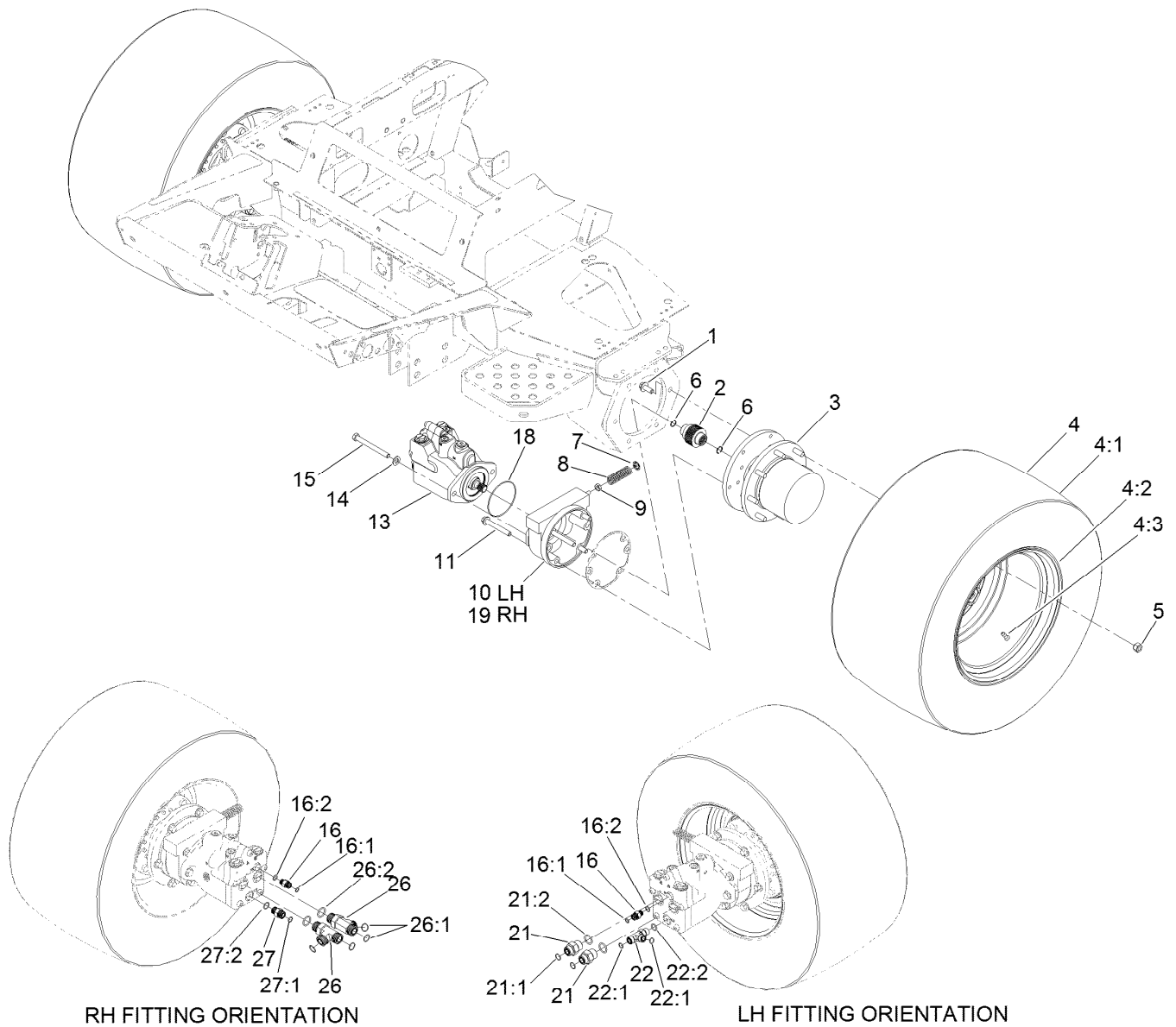
Pedal Assembly

<i>Ref.</i>	<i>Part Number</i>	<i>Qty.</i>	<i>Description</i>	<i>Ref.</i>	<i>Part Number</i>	<i>Qty.</i>	<i>Description</i>
1	32104-32	2	Screw-HWH	22	92-7608-03	1	Bracket-Spring
2	74-9110	1	Pad-Pedal, Reverse	23	92-7610	1	Retainer-Spring
3	120-8095	1	Pedal	24	84-9100	1	Spring
4	32121-45	1	Pin-Spring	25	3256-5	1	Washer-Flat
5	74-9100	1	Pad-Pedal, Forward	32	117-2718	1	Decal-Arrester, Spark
6	117-9507	1	Pedal-Accelerator	33	120-8038	1	Hub ASM
7	323-29	1	Screw-HH	33:2	95-7497	1	Bushing-Wheel
8	3256-24	1	Washer-Flat	36	114-5609	1	Sensor-Position
9	3220-3	1	Nut-HJ	37	114-5595	1	Plate-Capture
10	2411-36	1	Bearing-End, Rod	38	32105-21	2	Screw-HH
11	32121-6	1	Pin-Roll, Slotted	40	120-8091	1	Shaft-Pivot, Traction
12	322-2	4	Screw-HH	41	32121-69	1	Pin-Spring
13	256-236	1	Bearing-Mount, Flange	43	120-8089	1	Plate-Cover, Sensor
14	32128-20	2	Nut-HF	44	121-3099	1	Plug-Panel, Plastic
16	114-5608	2	Spacer-Standoff	45	32121-78	1	Pin-Roll
18	120-8088-03	1	Hub-Traction Pedal Pivot	46	3290-321	2	Screw-HWH
19	115-4383	1	Shaft-Spring	47	104-8301	1	Nut-HF, NI
21	32121-11	1	Pin-Roll				



Hood Assembly

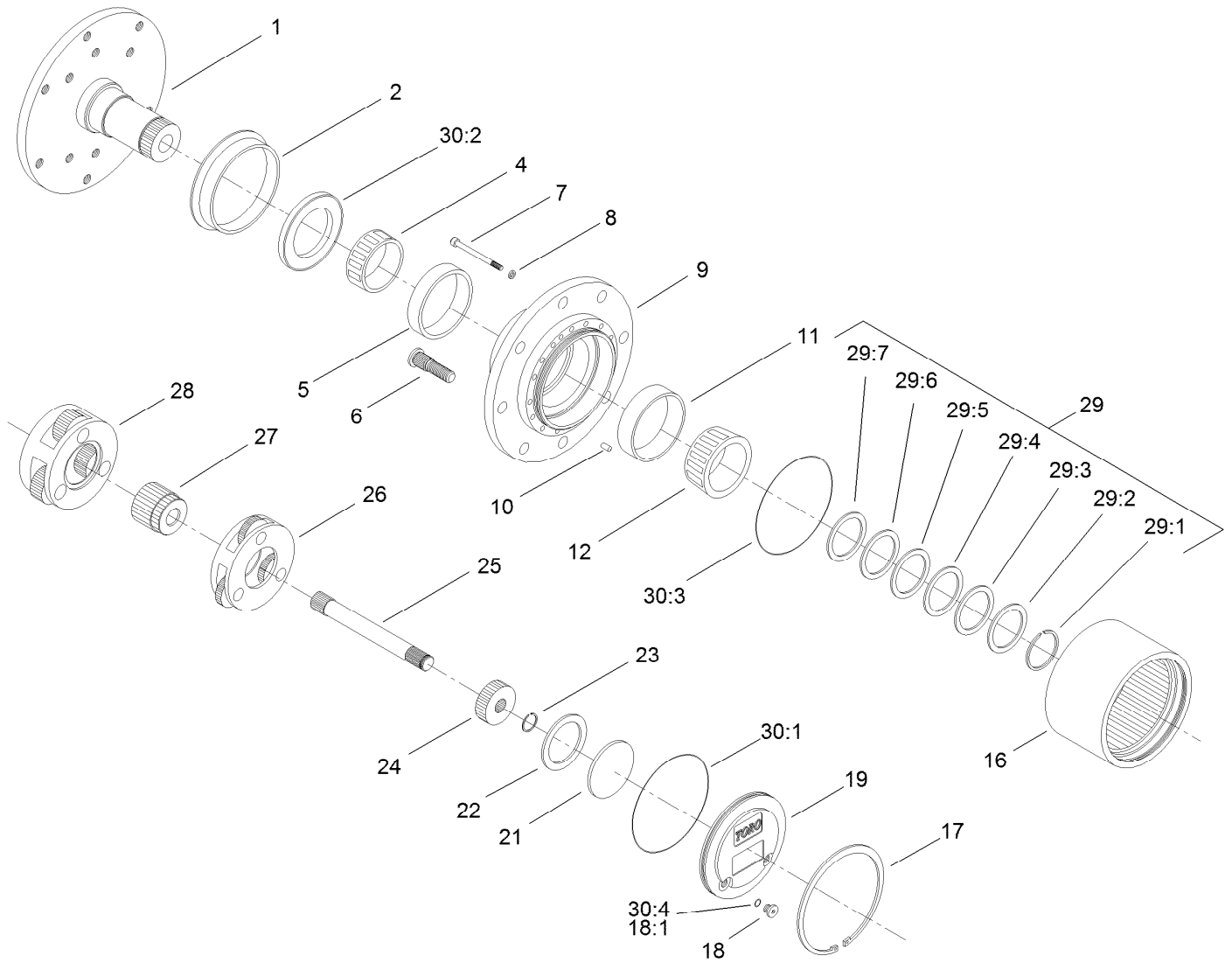
Ref.	Part Number	Qty.	Description	Ref.	Part Number	Qty.	Description
1	115-4362	1	Screen ASM	21	114-8109-03	1	Tube-LH
1:2	93-6028	1	Plate-Logo	22	121-3136-03	1	Tube-RH
1:3	94-2638	4	Nut-Flat	23	114-8102-03	1	Tube
1:4	114-8117	1	Latch-Adjustable	24	121-3133-03	1	Tube-Frame, Hood
1:5	3269-3	2	Rivet-Pop	25	94-5781	25	Screw-HHF
1:6	115-4358	2	Seal-Bulb	26	104-7201	26	Nut-HF
1:7	115-4359	2	Seal-Bulb	27	3290-55	4	Rivet-Pop
2	115-4357	1	Latch-Keeper	28	59-9740	2	Flex Draw Latch ASM
3	3269-3	2	Rivet-Pop	28:2	249-40	1	Keeper
4	125-4576	1	Hood ASM	29	105-9877	2	Decal
5	117-2382	20	Plug-Plastic	30	66-1210	2	Decal
6	114-4192-03	1	Screen-Hood	31	106-6754	2	Decal-Danger
9	3290-467	2	Pin-Hair	32	249-40	2	Keeper
10	120-8020-03	1	Bumper-Rear	33	3269-17	4	Rivet-Pop
12	240-14	2	Bumper-Rubber	34	3269-10	4	Washer-Back
13	32128-33	2	Nut-HF	35	98-1629	2	Washer
15	3256-26	2	Washer-Flat	99	119-2004	1	CE Latch Kit
17	3296-23	4	Nut-Lock, NI	99:2	107-0333	2	Rivet-Pop
18	325-6	2	Screw-HH	99:3	322-10	1	Screw-HH
19	325-33	2	Screw-HH	99:4	3296-47	1	Nut-Lock, NI
20	114-8108-03	1	Tube-RH	99:5	3269-10	2	Washer-Back



Front Drive and Brake Assembly

Ref.	Part Number	Qty.	Description	Ref.	Part Number	Qty.	Description
1	33106-030	12	Screw-HHF	16:1	237-22	1	O-Ring
2	100-3046	2	Shaft-Brake, Splined	16:2	237-42	1	O-Ring
3	105-4500-03	2	Planetary ASM	18	237-166	2	O-Ring
4		2	Tire And Wheel ASM ●	19	100-3069-03	1	Brake ASM
4:1	119-0023	1	Tire	21	340-8	2	Fitting-Straight
4:2	119-0024	1	Wheel	21:1	237-65	1	O-Ring
4:3	232-24	1	Stem-Valve	21:2	237-81	1	O-Ring
5	92-7483	16	Nut-Lug	22	340-109	1	Fitting-Tee
6	93-7972	4	Ring-Retaining, Internal	22:1	237-79	1	O-Ring
7	94-3050	2	Plate-Spring	22:2	237-30	2	O-Ring
8	94-3088	2	Spring-Compression	26	340-148	2	Fitting-Tee
9	3218-4	2	Nut-Jam	26:1	237-81	1	O-Ring
10	100-3070-03	1	Brake ASM	26:2	237-58	2	O-Ring
11	33106-090	8	Screw-HHF	27	340-4	1	Fitting-Straight
13	121-3100	2	HYD Piston Motor ASM	27:1	237-30	1	O-Ring
14	106-9888	4	Washer-Flat	27:2	237-79	1	O-Ring
15	33116-120	4	Screw-HH				
16	340-2	2	Fitting-Straight				

● Not serviced separately



Planetary Assembly No. 105-4500-03

Ref.	Part Number	Qty.	Description	Ref.	Part Number	Qty.	Description
1		1	Spindle ■	24	105-8114	1	Gear-Primary
2	105-8122	1	Seal-Boot	25	105-8115	1	Shaft-Drive
4	105-8120	1	Bearing-Cone	26	105-8129	1	Carrier-Primary
5	105-8119	1	Bearing-Cup	27	105-8139	1	Gear-Secondary
6	105-8124	8	Stud-Wheel	28	105-8130	1	Carrier-Secondary
7	105-8125	16	Bolt-Head, Socket	29	105-8136	1	Shim Kit
8	3253-18	16	Washer-Lock	29:1		1	Ring-Snap ■
9		1	Housing ■	29:2		1	Shim-Bearing, 2.9Mm ■
10	105-8121	1	Pin-Dowel	29:3		1	Shim-Bearing, 2.8Mm ■
11	105-8117	1	Bearing-Cup	29:4		1	Shim-Bearing, 2.7Mm ■
12	105-8118	1	Bearing-Cone	29:5		1	Shim-Bearing, 2.6Mm ■
16	105-8113	1	Gear-Ring	29:6		1	Shim-Bearing, 2.5Mm ■
17	105-8132	1	Ring-Retaining	29:7		1	Shim-Bearing, 2.4Mm ■
18	353-990	2	Plug ASM	30	105-8137	1	Seal Kit ●
18:1	237-78	1	O-Ring	30:1		1	O Ring-Flange Cap ■
19	105-8138	1	Cap-End	30:2		1	Seal-Oil ■
21	105-8133	1	Plug-Thrust	30:3		2	O Ring-End Cap ■
22	105-8123	1	Washer-Thrust	30:4	237-78	2	O-Ring
23	105-8131	1	Ring-Retaining				

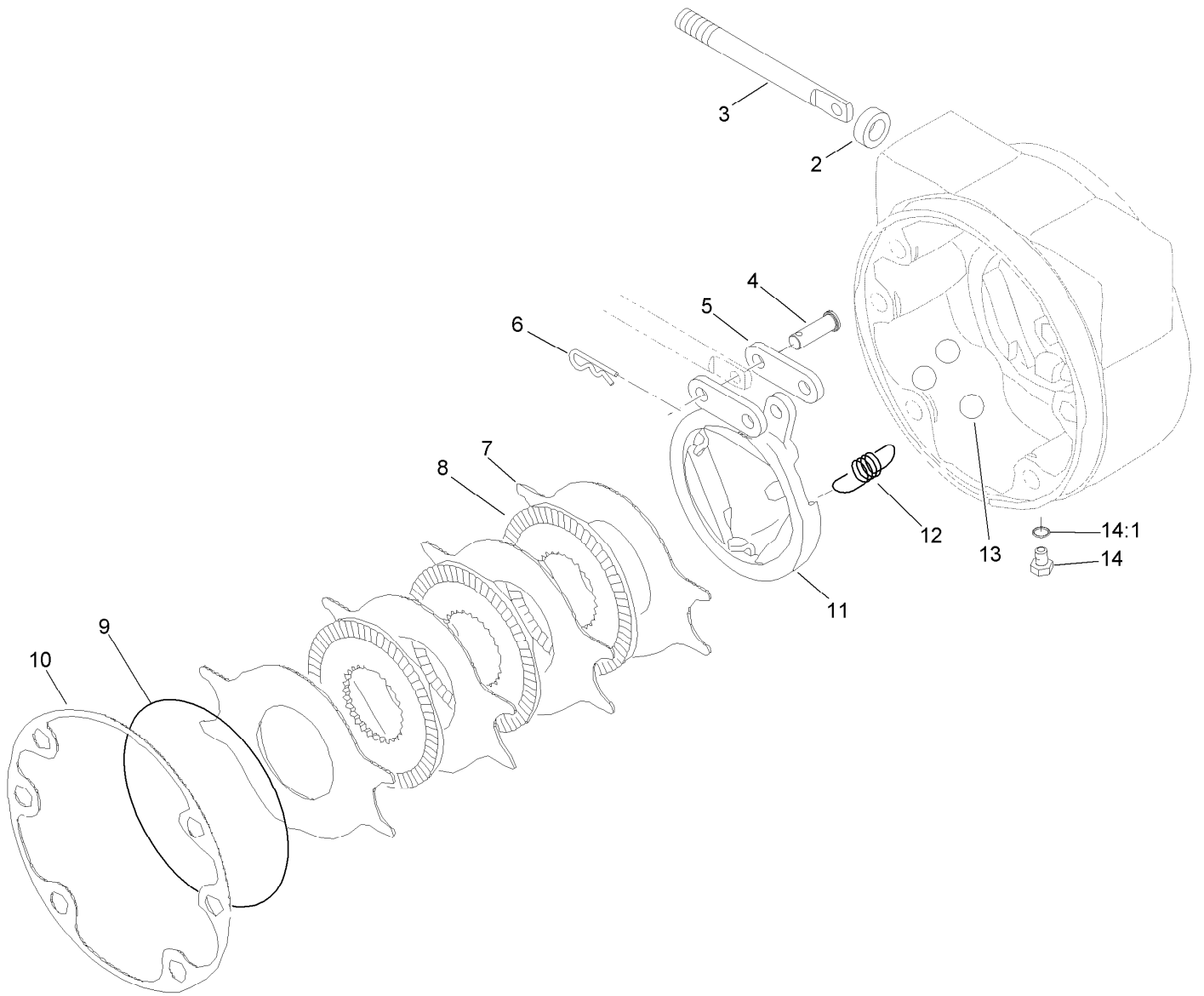
● Not illustrated

■ Not serviced separately



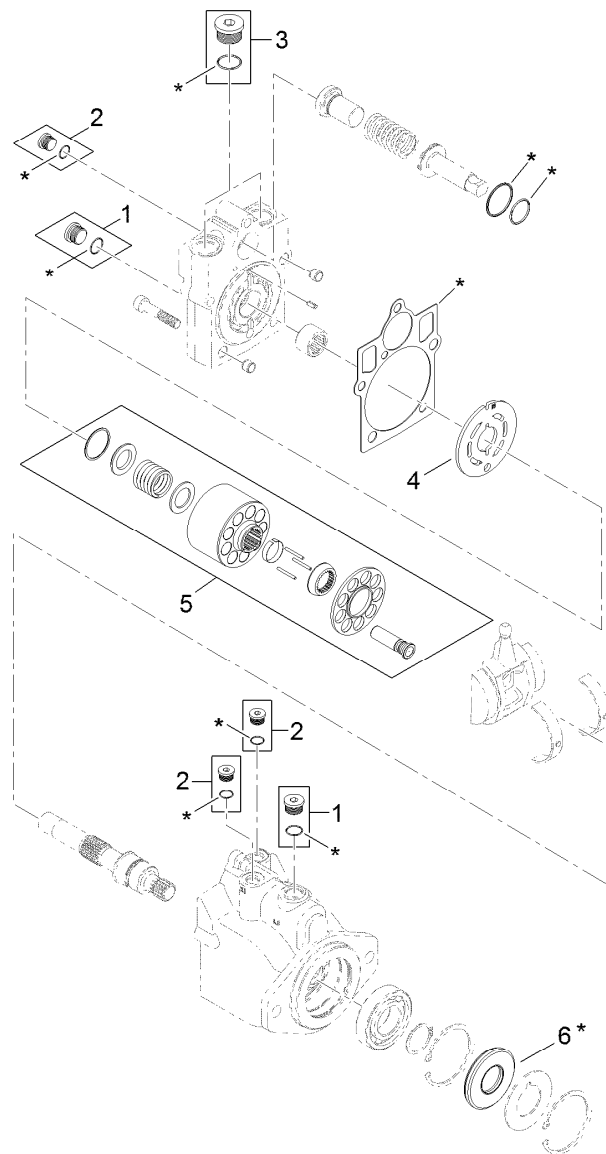
Brake Assembly No. 100-3070-03

<i>Ref.</i>	<i>Part Number</i>	<i>Qty.</i>	<i>Description</i>
2	93-7977	1	Seal
3	93-7978	1	Rod-Pull
4	93-7983	2	Pin-Clevis
5	93-7980	2	Link
6	93-7979	2	Pin-Hitch
7	93-7986	4	Disc-Stationary
8	104-4278	3	Disc-Rotating
9	93-7976	1	Ring-Retaining
10	93-7984	1	Gasket
11	104-4279	1	Actuator-Rotating
12	93-7987	3	Spring-Extension
13	93-7985	3	Ball
14	353-990	2	Plug ASM
14:1	237-78	1	O-Ring



Brake Assembly No. 100-3069-03

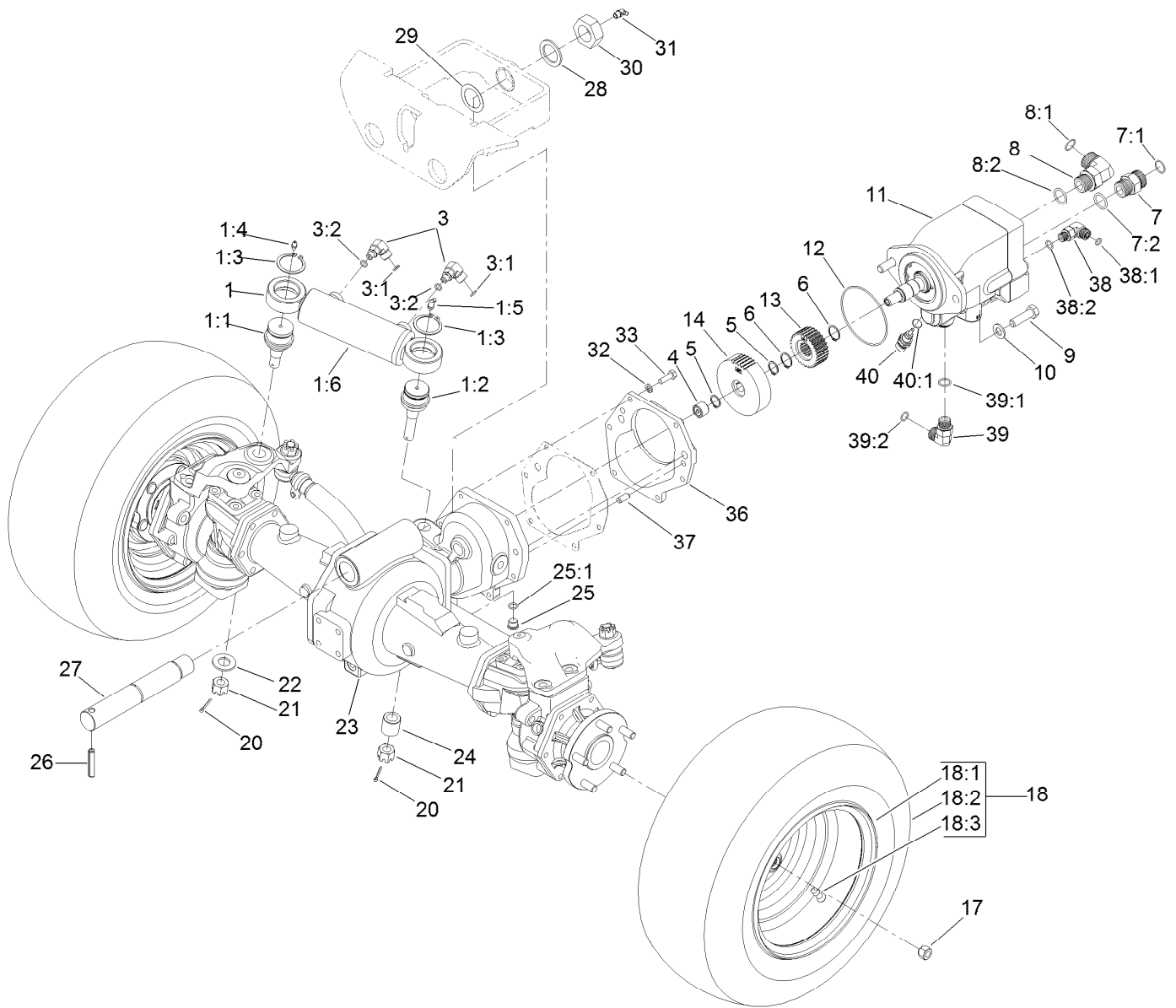
<i>Ref.</i>	<i>Part Number</i>	<i>Qty.</i>	<i>Description</i>
2	93-7977	1	Seal
3	93-7978	1	Rod-Pull
4	93-7983	2	Pin-Clevis
5	93-7980	2	Link
6	93-7979	2	Pin-Hitch
7	93-7986	4	Disc-Stationary
8	104-4278	3	Disc-Rotating
9	93-7976	1	Ring-Retaining
10	93-7984	1	Gasket
11	104-4280	1	Actuator-Rotating
12	93-7987	3	Spring-Extension
13	93-7985	3	Ball
14	353-990	2	Plug ASM
14:1	237-78	1	O-Ring



7 = all items with * are included in overhaul seal kit

Hydraulic Piston Motor Assembly No. 121-3100

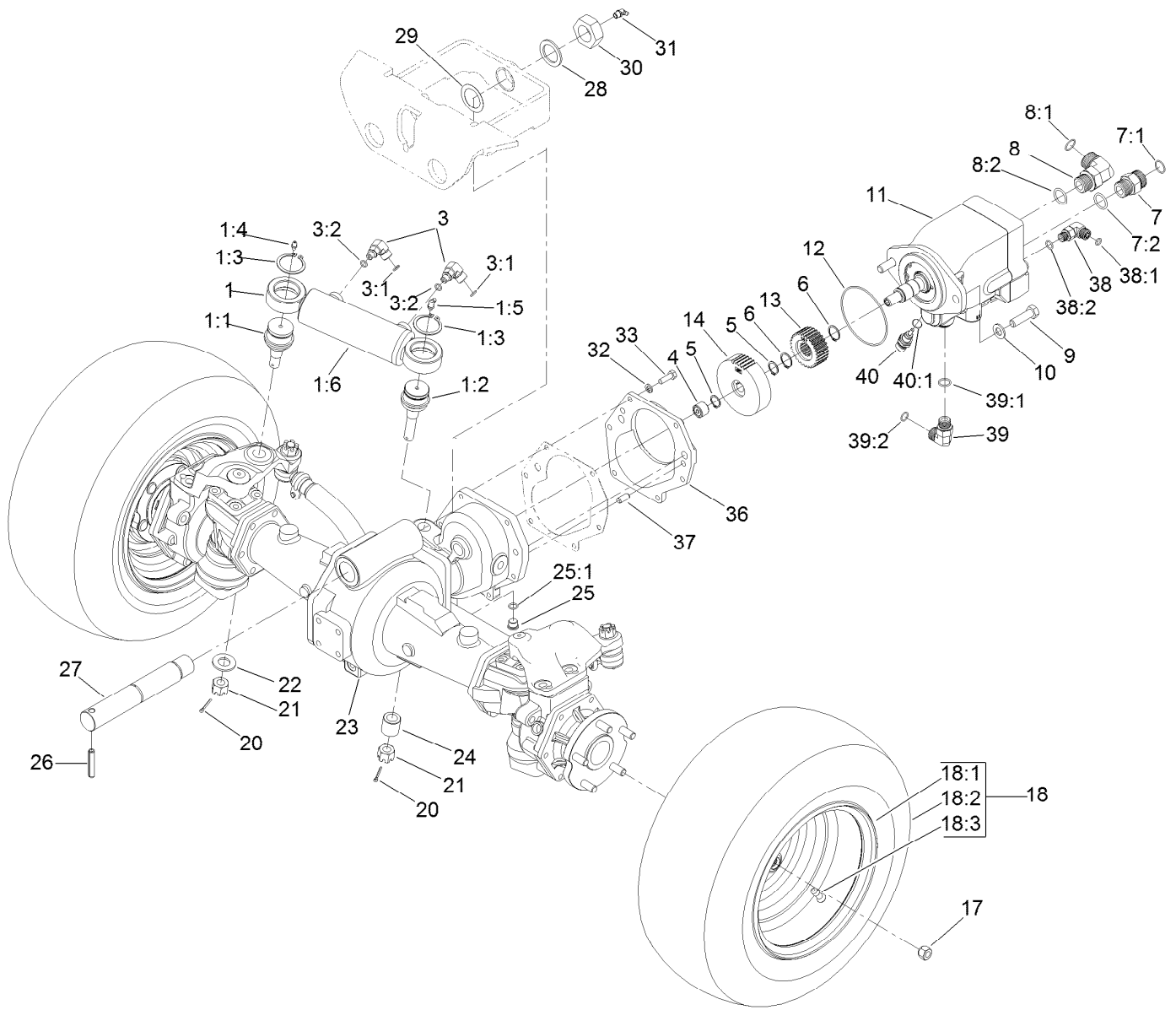
<i>Ref.</i>	<i>Part Number</i>	<i>Qty.</i>	<i>Description</i>
1	67-9090	2	Plug
2	69-3080	3	Plug
3	107-4352	1	Plug
4	121-1734	1	Plate-Valve
5	121-1735	1	Cylinder Block Kit
6	69-3190	1	Seal-Lip
7	121-1736	1	Overhaul Seal Kit



Rear Axle Assembly

Ref.	Part Number	Qty.	Description	Ref.	Part Number	Qty.	Description
1	105-9861	1	Steering Cylinder ASM	8:2	237-81	1	O-Ring
1:1	106-6774	1	Joint-Ball	9	325-7	2	Screw-HH
1:2	100-3795	1	Joint-Ball	10	106-9888	2	Washer-Flat
1:3	32151-104	2	Ring-Retaining, External	11	121-3101	1	Motor-Piston
1:4	302-5	1	Fitting-Grease	12	237-166	1	O-Ring
1:5	302-60	1	Fitting-Grease	13	104-5663	1	Pinion-28T
1:6	107-1976	1	HYD Cylinder ASM	14	104-5664	1	Gear-44T
3	340-97	2	Fitting-Elbow, 90 DEG	17	93-5268	10	Nut-Lug
3:1	237-22	1	O-Ring	18		2	Rim And Tire ASM ●
3:2	237-78	1	O-Ring	18:1	115-1573	1	Rim
4	74-5700	1	Bearing-Needle, Roller	18:2	115-1572	1	Tire
5	32120-15	2	Ring-Snap, EXT	18:3	232-27	1	Stem-Valve
6	32120-76	2	Ring-Snap, EXT	20	3272-11	2	Pin-Cotter
7	340-9	1	Fitting-STR	21	32136-14	2	Nut-Hst
7:1	237-58	1	O-Ring	22	92-5836	1	Washer
7:2	237-81	1	O-Ring	23	110-4750	1	Drive Axle ASM
8	340-142	1	Fitting-Elbow, 90 DEG	24	100-3796	1	Spacer-Joint, Ball
8:1	237-58	1	O-Ring	25	353-989	2	Plug-Hex, Hollow

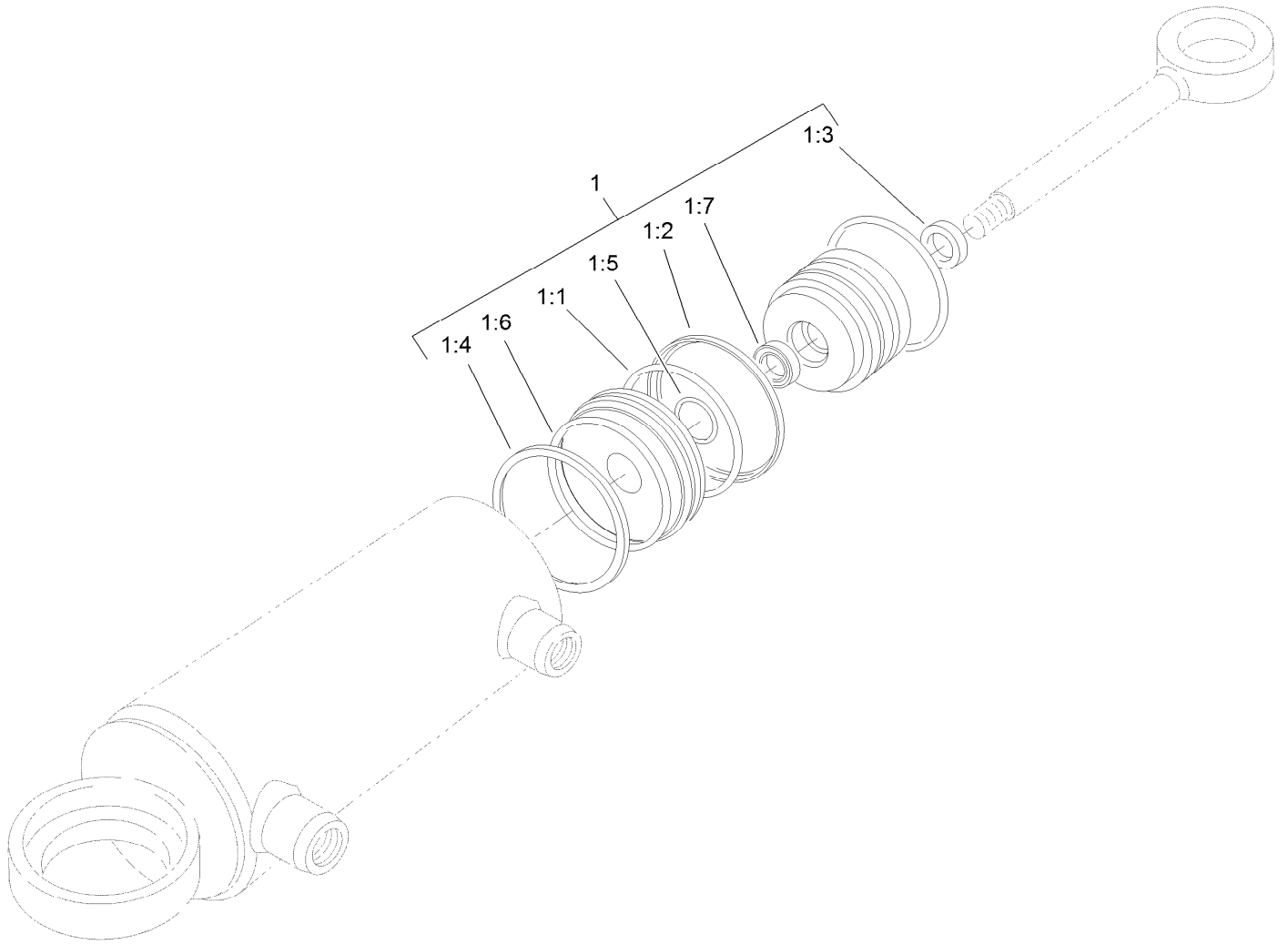
● Not serviced separately



Rear Axle Assembly (continued)

<i>Ref.</i>	<i>Part Number</i>	<i>Qty.</i>	<i>Description</i>	<i>Ref.</i>	<i>Part Number</i>	<i>Qty.</i>	<i>Description</i>
25:1	237-42	1	O-Ring	37	104-2353	2	Pin-Dowel
26	32121-110	1	Pin-Roll, Slotted	38	340-77	1	Fitting-Elbow, 90 DEG
27	115-9142	1	Pin-Rear Axle	38:1	237-22	1	O-Ring
28	92-1765	1	Washer-Thrust	38:2	237-42	1	O-Ring
29	98-3867	2	Washer-Thrust	39	340-98	1	Fitting-Elbow, 90 DEG
30	3296-68	1	Nut-Lock, NI	39:1	237-79	1	O-Ring
31	302-33	1	Fitting-Grease	39:2	237-30	1	O-Ring
32	3253-4	6	Washer-Lock	40	110-8829	1	Sender-Temperature
33	33114-025	6	Screw-HH	40:1	237-42	1	O-Ring
36	95-7541	1	Plate-Cover				

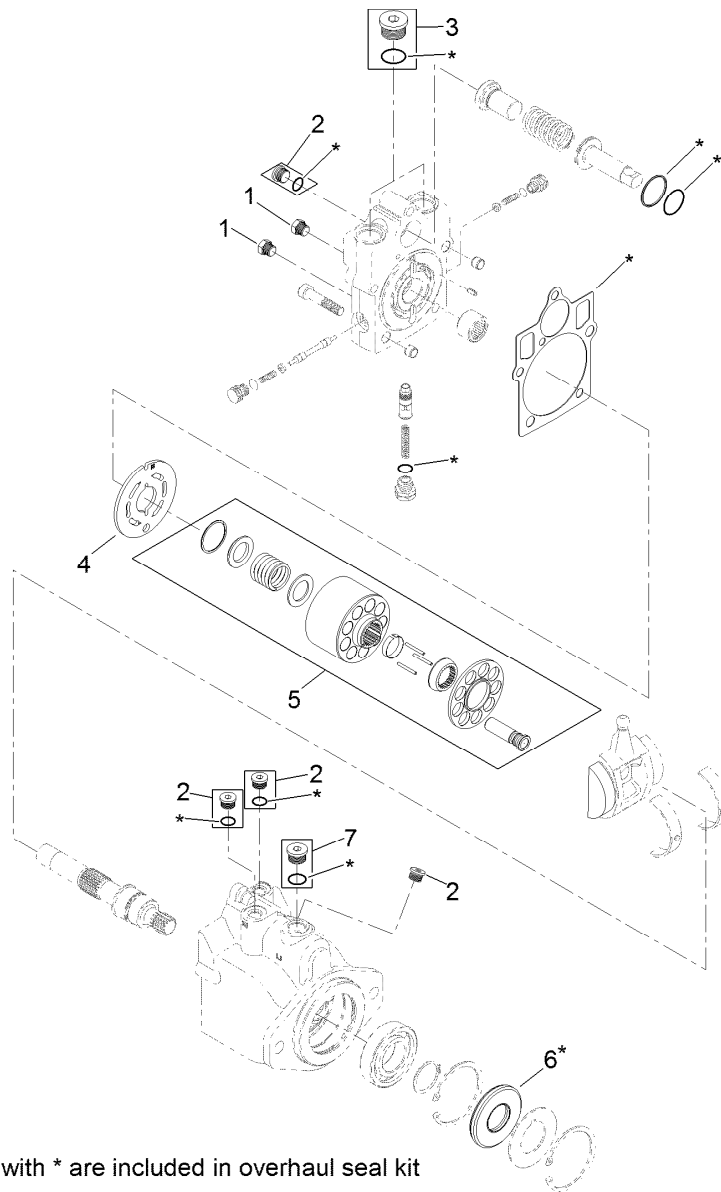
● Not serviced separately



Cylinder Assembly No. 107-1976

<i>Ref.</i>	<i>Part Number</i>	<i>Qty.</i>	<i>Description</i>
1	107-0245	1	Seal Kit
1:1		1	O-Ring ●
1:2		1	Back-Up ●
1:3		1	Wiper ●
1:4		1	Seal ●
1:5		1	O-Ring ●
1:6		1	O-Ring ●
1:7		1	Seal ●

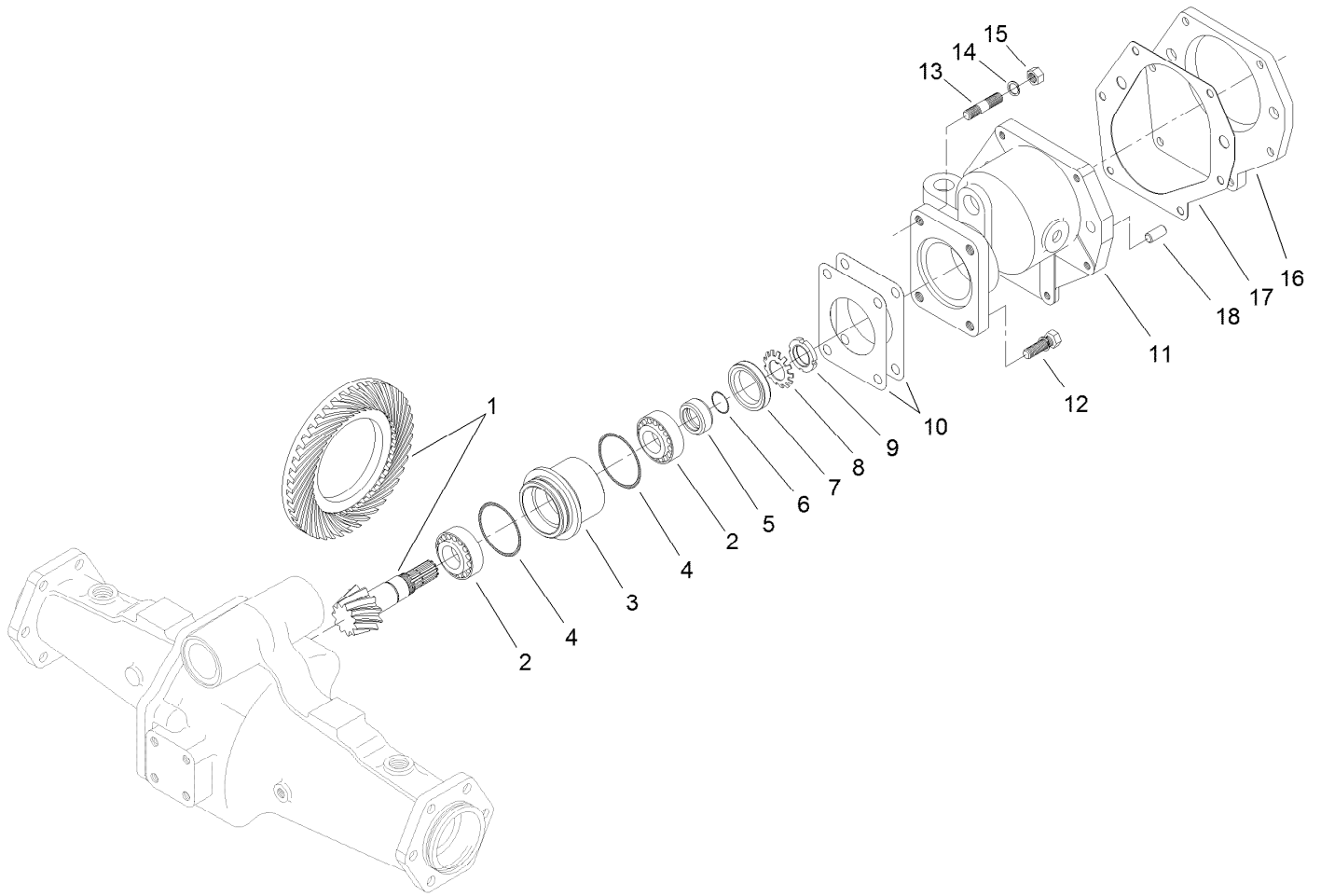
● Not serviced separately



8= all items with * are included in overhaul seal kit

Piston Motor Assembly No. 121-3101

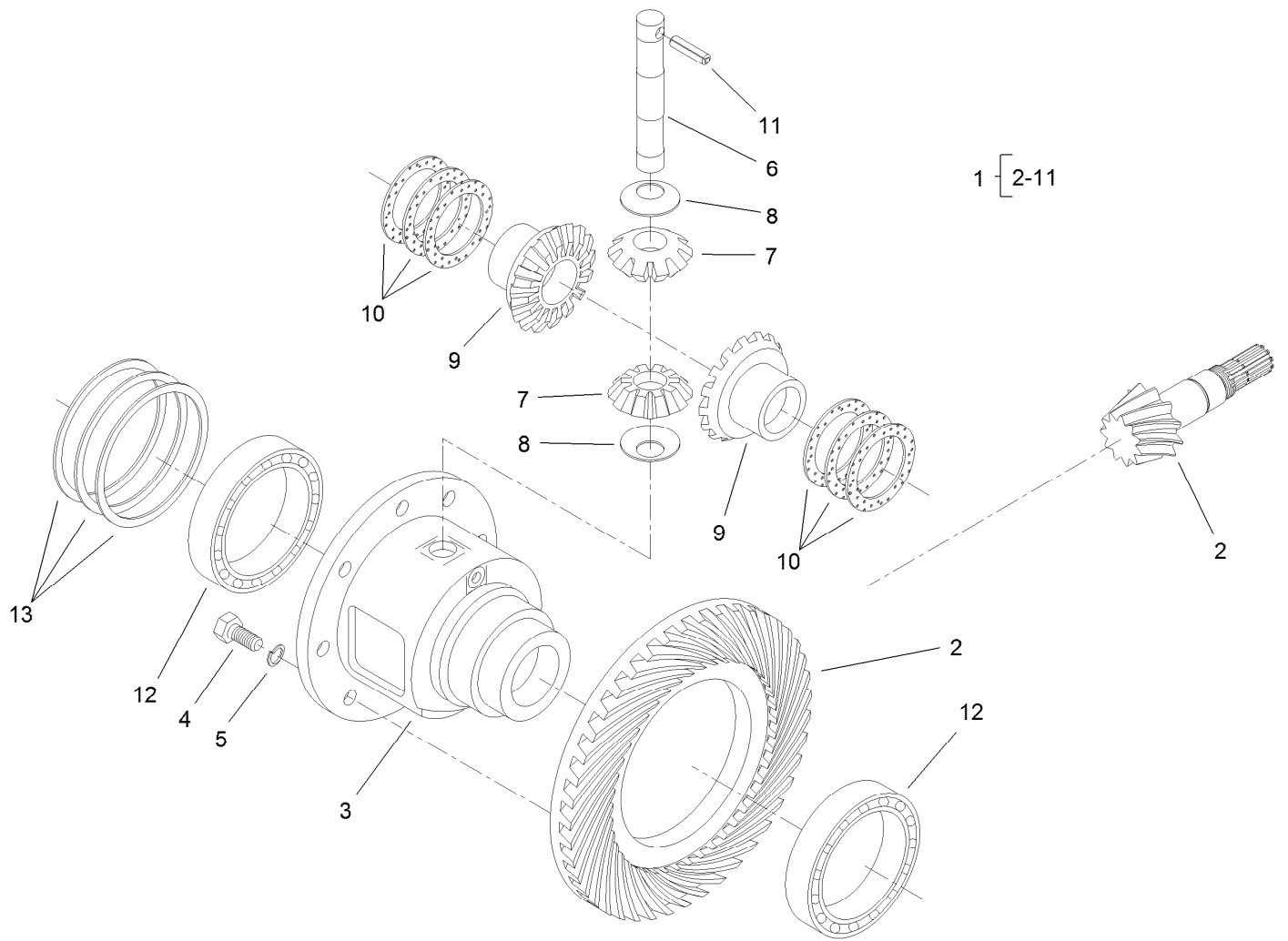
Ref.	Part Number	Qty.	Description
1	92-1352	2	Plug
2	69-3080	4	Plug
3	69-3130	1	Plug
4	125-4638	1	Valve Plate
5	125-4639	1	Cylinder Block Kit
6	69-3190	1	Seal-Lip
7	67-9090	1	Plug
8	121-1736	1	Overhaul Seal Kit



Bevel Pinion Shaft Assembly Rear Axle Assembly No. 110-4750

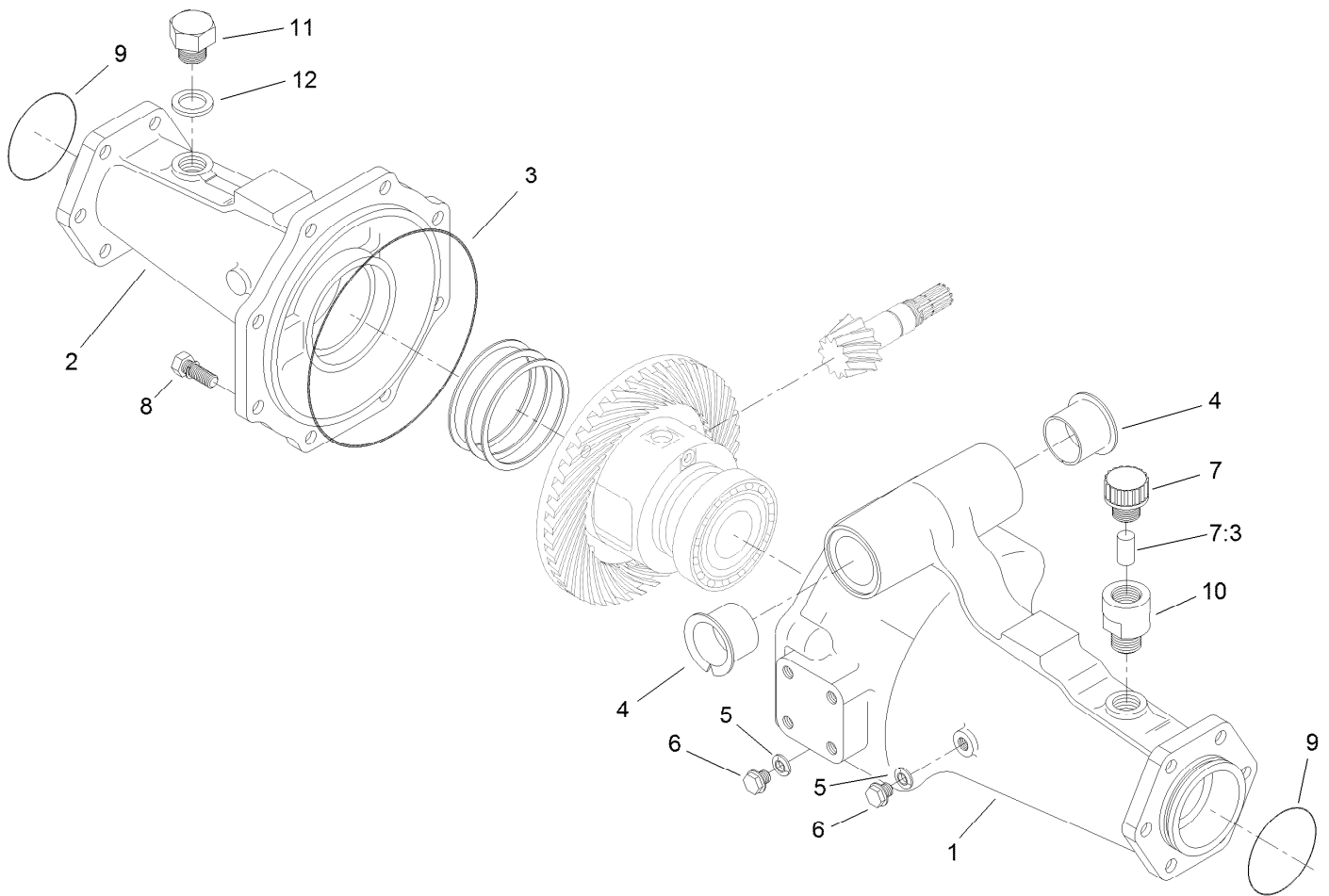
<i>Ref.</i>	<i>Part Number</i>	<i>Qty.</i>	<i>Description</i>
1	106-1093	1	Ring And Pinion Set
2	99-7570	2	Bearing-Roller, Taper
3	95-7534	1	Case-Bearing
4	106-1065	2	O-Ring
5	99-7572	1	Collar-Seal, Oil
6	106-1066	1	O-Ring
7	99-7574	1	Seal-Oil
8	99-7559	1	Washer-Lock
9	99-7560	1	Nut-Lock
10	99-7550	2	Shim 0.1

<i>Ref.</i>	<i>Part Number</i>	<i>Qty.</i>	<i>Description</i>
10	99-7551	2	Shim 0.2
11	95-7533	1	Case-Gear
12	99-7575	2	Bolt
13	98-7735	2	Stud
14	99-7527	2	Washer-Spring
15	99-7526	2	Nut
16	95-7541	1	Plate-Cover
17	106-1140	1	Gasket
18	104-2353	2	Pin-Dowel



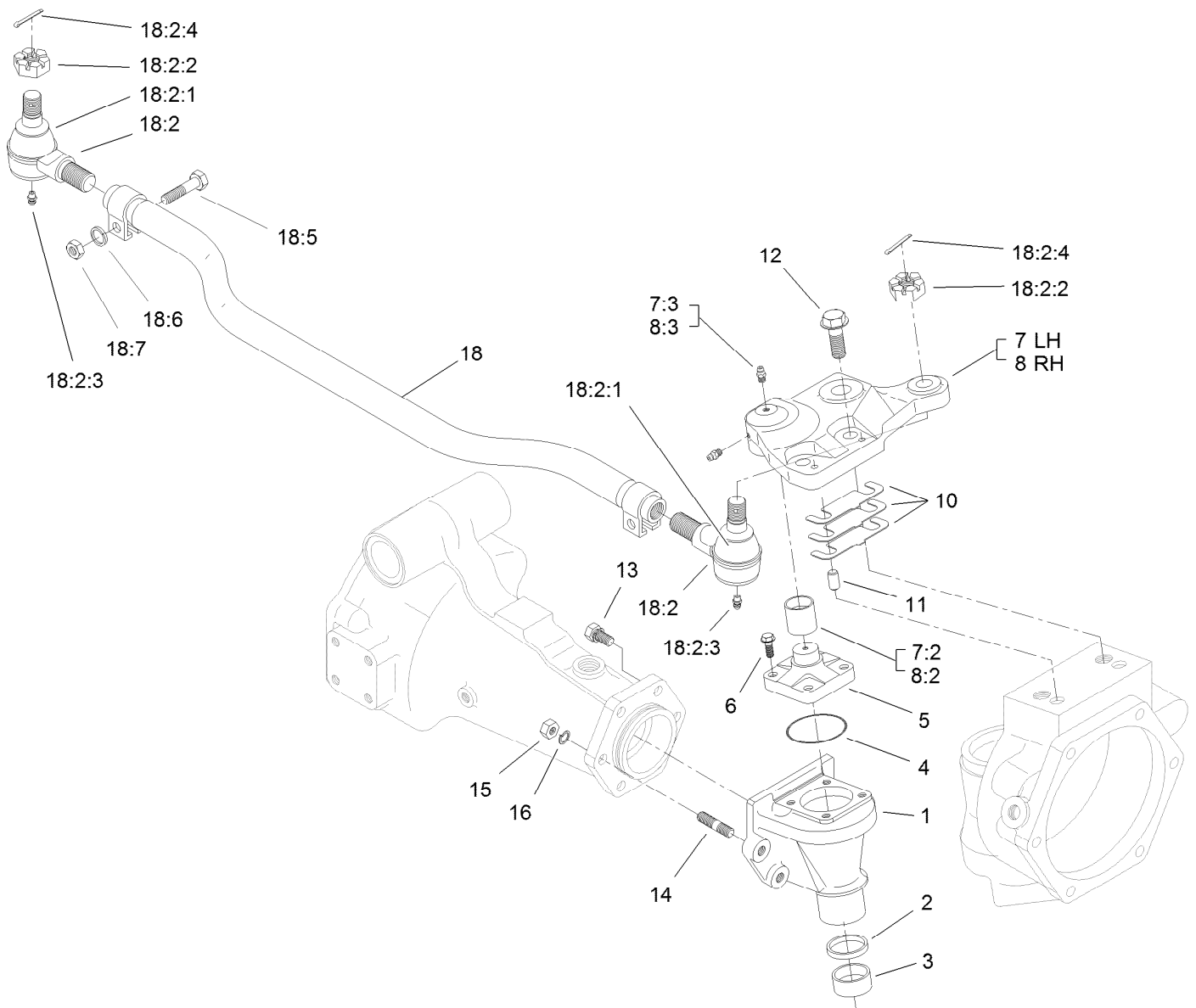
Differential Assembly Rear Axle Assembly No. 110-4750

<i>Ref.</i>	<i>Part Number</i>	<i>Qty.</i>	<i>Description</i>	<i>Ref.</i>	<i>Part Number</i>	<i>Qty.</i>	<i>Description</i>
1	95-7503	1	Differential ASM	10	99-7582	2	Washer-Differential
2	106-1093	1	Ring And Pinion Set	10	99-7583	2	Washer-Differential
3	95-7502	1	Case-Differential	10	99-7584	2	Washer-Differential
4	99-7576	8	Bolt	11	99-7588	1	Pin-Spring
5	3253-4	8	Washer-Lock	12	99-7562	2	Bearing-Ball
6	99-7578	1	Shaft-Differential	13	99-7585	2	Shim 0.1
7	99-7579	2	Pinion-Differential	13	99-7586	2	Shim 0.2
8	99-7580	2	Washer-Differential	13	99-7587	2	Shim 0.4
9	99-7581	2	Gear-Differential				



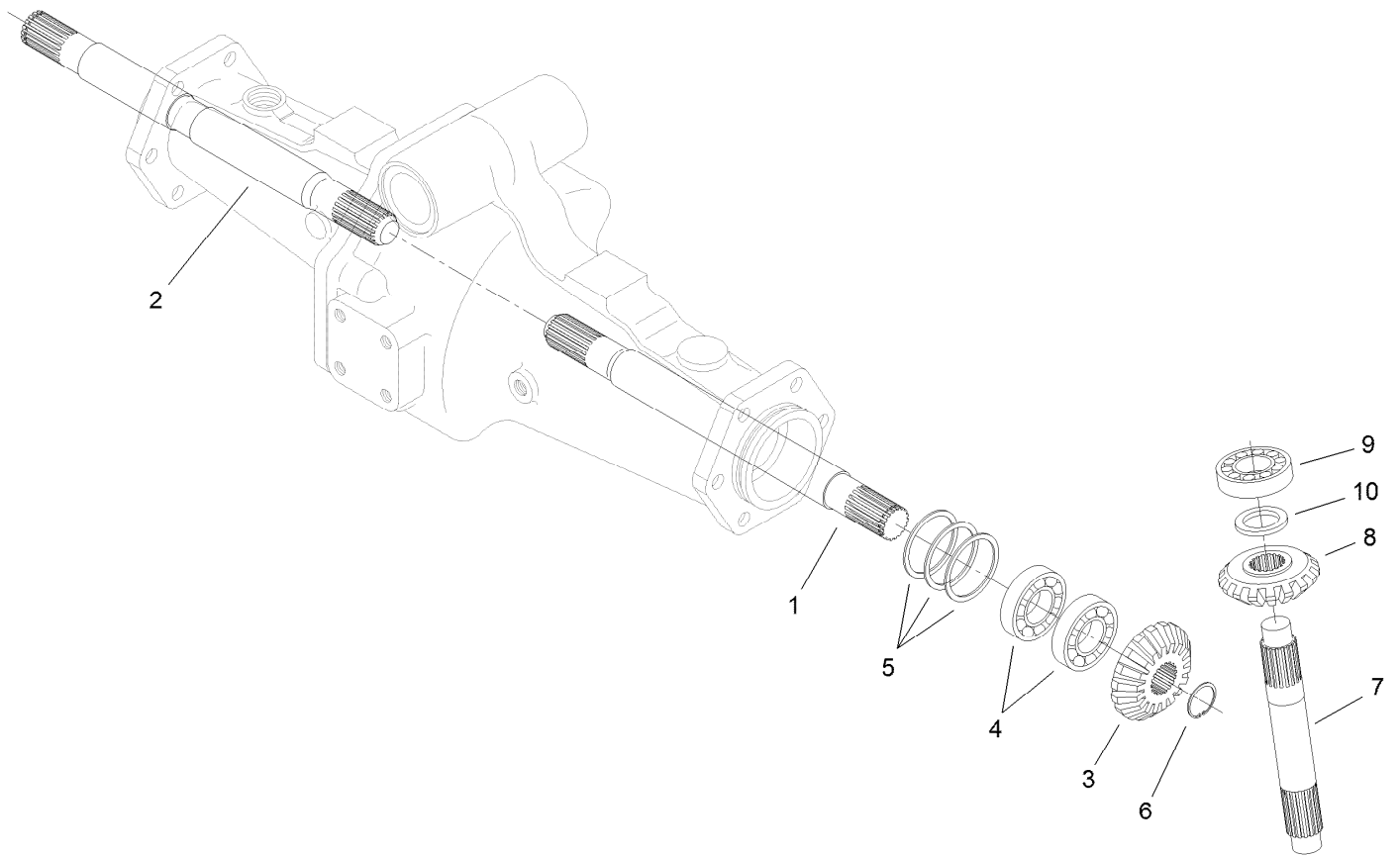
Axle Support Assembly Rear Axle Assembly No. 110-4750

<i>Ref.</i>	<i>Part Number</i>	<i>Qty.</i>	<i>Description</i>
1	95-7508	1	Support-Axle
2	95-7506	1	Support-Axle
3	106-1067	1	O-Ring
4	95-7537	2	Bushing-Flanged
5	99-7590	2	Washer-Seal
6	99-7589	2	Plug
7	110-4812	1	Axle Vent ASM
7:3	110-4815	1	Insert-Filter, Foam
8	99-7592	8	Bolt
9	106-1068	2	O-Ring
10	104-2377	1	Extension-Vent
11	104-8643	1	Plug
12	104-8644	1	O-Ring



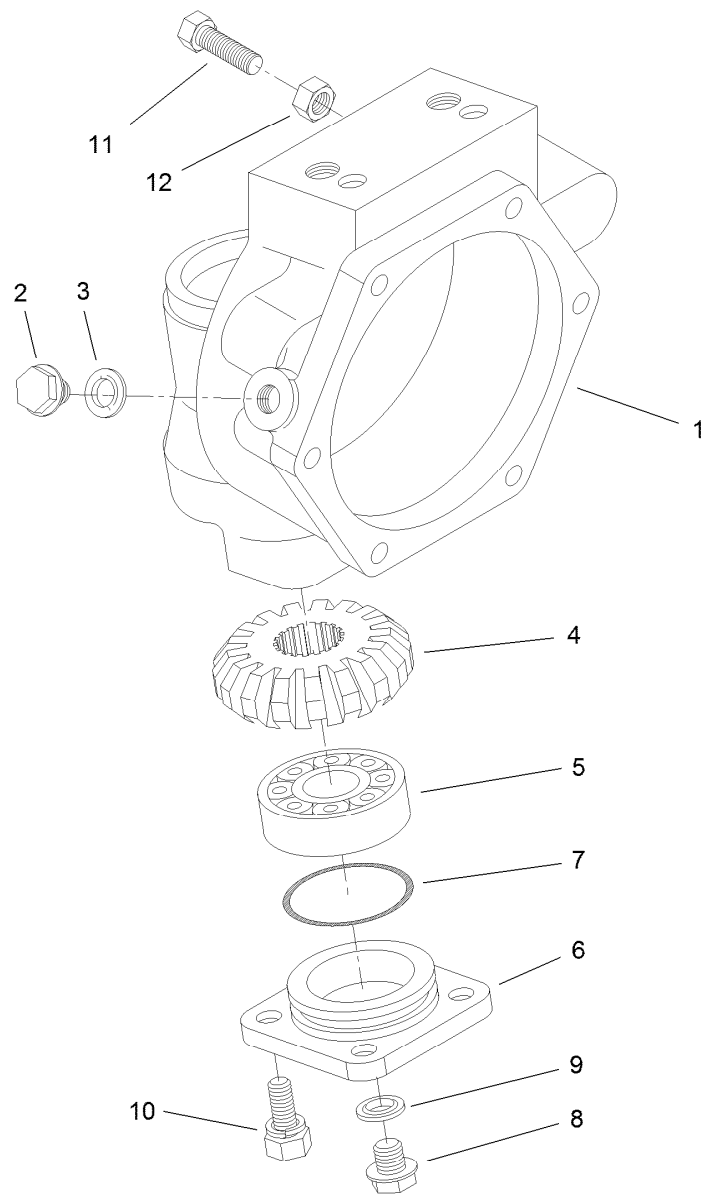
Bevel Gear Case Assembly Rear Axle Assembly No. 110-4750

<i>Ref.</i>	<i>Part Number</i>	<i>Qty.</i>	<i>Description</i>	<i>Ref.</i>	<i>Part Number</i>	<i>Qty.</i>	<i>Description</i>
1	110-4752	2	Case-Gear, Bevel	12	104-2375	4	Bolt
2	110-4754	2	Seal-Oil	13	99-7599	8	Bolt
3	104-2378	2	Bushing	14	99-7525	4	Stud
4	106-1069	2	O-Ring	15	99-7526	4	Nut
5	104-2373	2	Knuckle	16	99-7527	4	Washer-Spring
6	104-2374	8	Bolt	18	106-1141	1	Steering Tie Rod ASM
7	100-3768	1	LH Steering Arm ASM	18:2	106-1113	2	Tie Rod End ASM - RH Thread
7:2	104-8634	1	Bushing	18:2:1	100-3853	1	Cover-Dust
7:3	106-1104	2	Fitting-Grease	18:2:2	100-3854	1	Nut-Castle
8	100-3766	1	RH Steering Arm ASM	18:2:3	110-4755	1	Fitting-Grease
8:2	104-8634	1	Bushing	18:2:4	3272-11	1	Pin-Cotter
8:3	106-1104	2	Fitting-Grease	18:5	100-3855	2	Bolt
10	95-7547	2	Shim 0.1	18:6	99-7527	2	Washer-Spring
10	95-7548	2	Shim 0.2	18:7	99-7526	2	Nut
10	95-7549	2	Shim 0.3				
11	99-7597	4	Pin-Dowel				



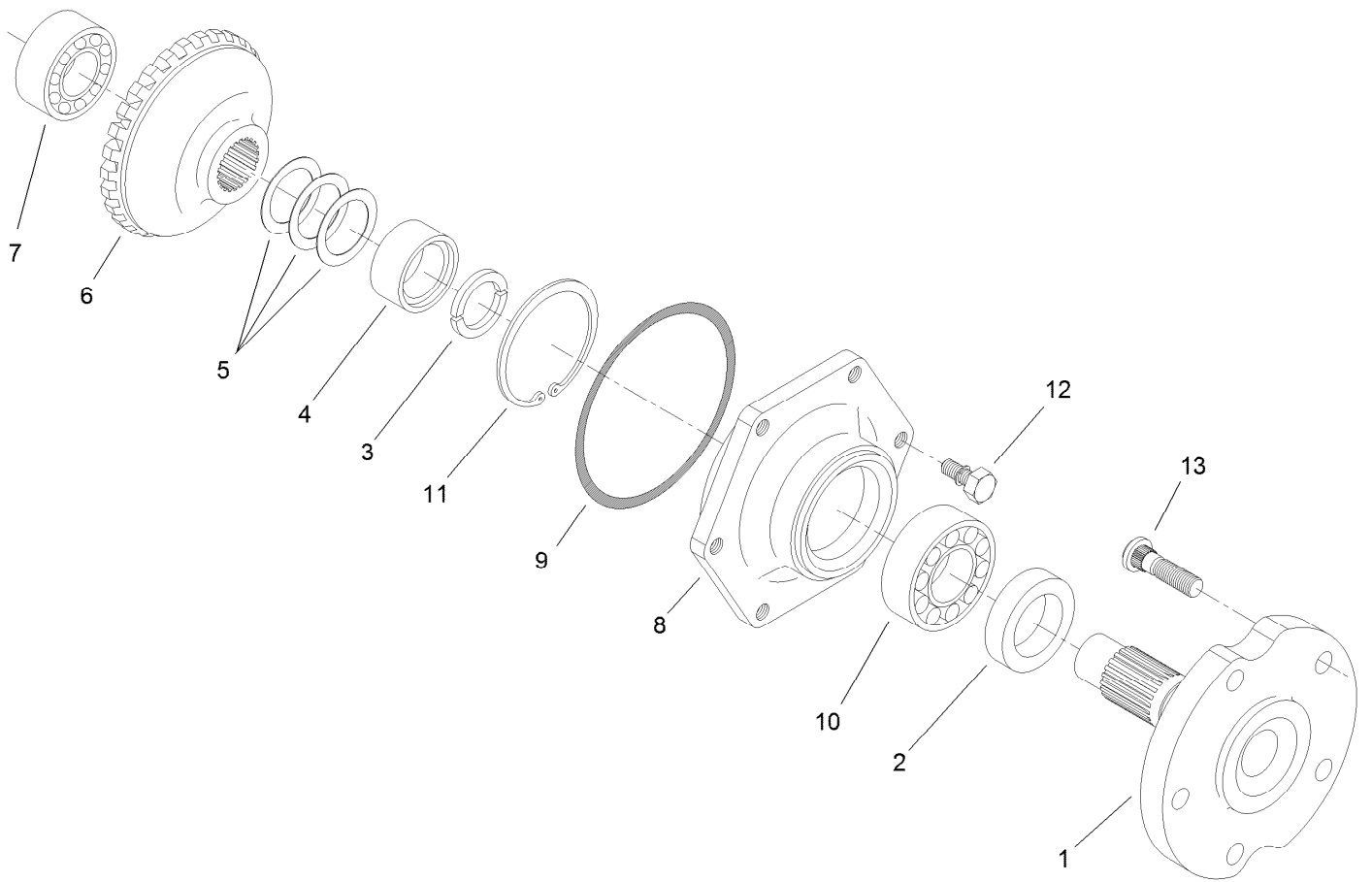
Bevel Gear Shaft Assembly Rear Axle Assembly No. 110-4750

<i>Ref.</i>	<i>Part Number</i>	<i>Qty.</i>	<i>Description</i>
1	95-7509	1	Shaft-Gear, Differential
2	95-7512	1	Shaft-Gear, Differential
3	95-7517	2	Gear-Bevel, 15 Tooth
4	99-7530	4	Bearing-Ball
5	99-7552	2	Shim 0.1
5	99-7553	2	Shim 0.2
5	99-7554	2	Shim 0.5
6	99-7531	2	Clip
7	110-4753	2	Shaft-Gear, Bevel
8	95-7519	2	Gear-Bevel, 17 Tooth
9	99-7532	2	Bearing-Roller, Taper
10	99-7558	2	Collar



Axle Case Assembly Rear Axle Assembly No. 110-4750

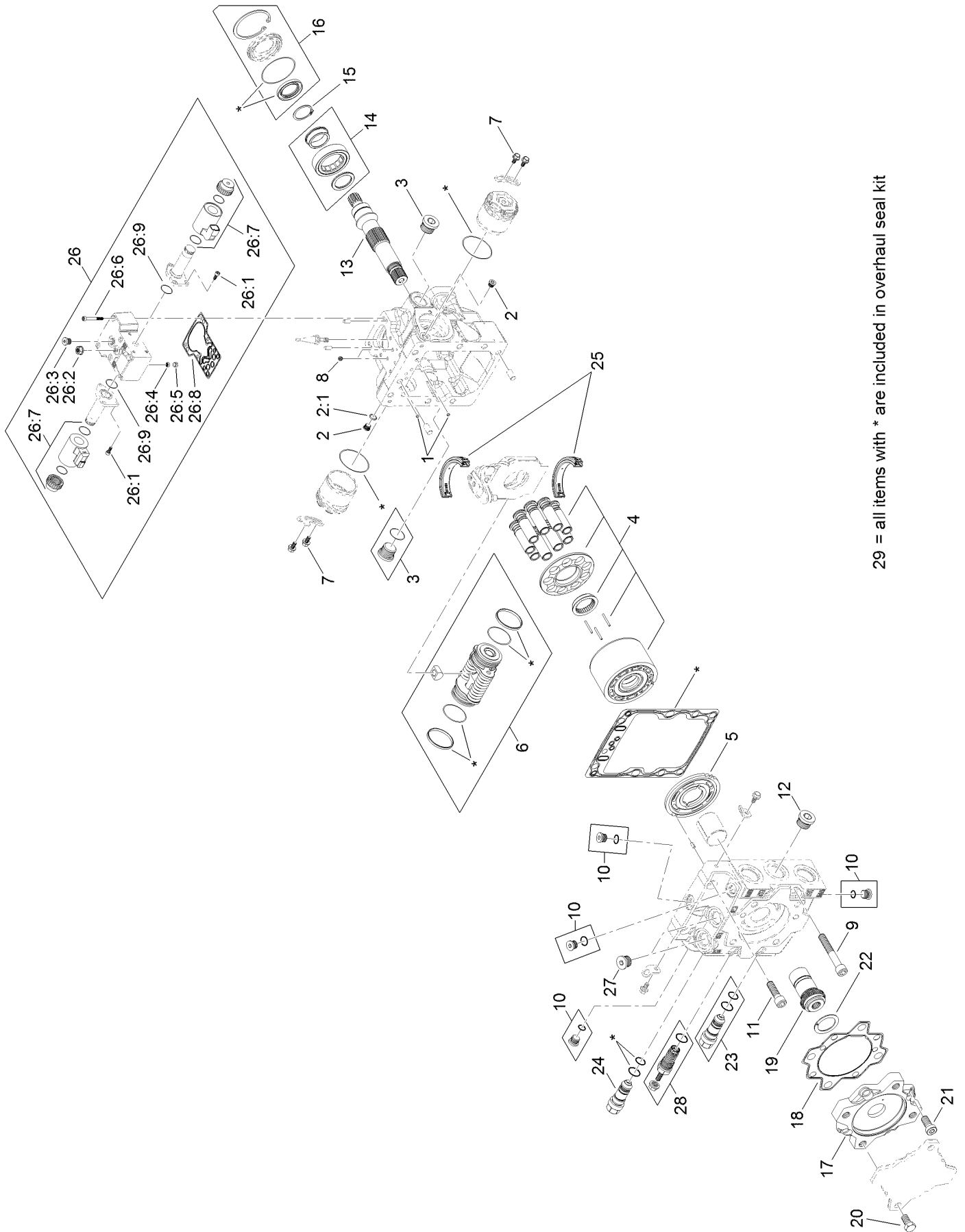
<i>Ref.</i>	<i>Part Number</i>	<i>Qty.</i>	<i>Description</i>
1	110-4751	2	Case-Axle
2	99-7535	2	Plug
3	99-7536	2	Washer-Seal
4	95-7527	2	Gear-Bevel, 17 Tooth
5	99-7532	2	Bearing-Roller, Taper
6	100-2560	2	Cover
7	106-1070	2	O-Ring
8	99-7589	2	Plug
9	99-7590	2	Washer-Seal
10	100-2562	8	Bolt
11	106-1102	2	Bolt-Stop
12	106-1103	2	Nut



Axle Assembly Rear Axle Assembly No. 110-4750

<i>Ref.</i>	<i>Part Number</i>	<i>Qty.</i>	<i>Description</i>
1	95-7522	2	Axle
2	99-7564	2	Seal-Oil
3	95-7544	4	Clip
4	95-7523	2	Spacer
5	99-7555	2	Shim 0.3
5	99-7556	2	Shim 0.2
5	99-7557	2	Shim 0.5
6	95-7524	2	Gear-Bevel, 29 Tooth
7	99-7534	2	Bearing-Ball
8	95-7521	2	Cover-Axle
9	106-1071	2	O-Ring
10	99-7561	2	Bearing-Ball
11	99-7539	2	Clip
12	99-7596	12	Bolt
13	99-7563	10	Stud

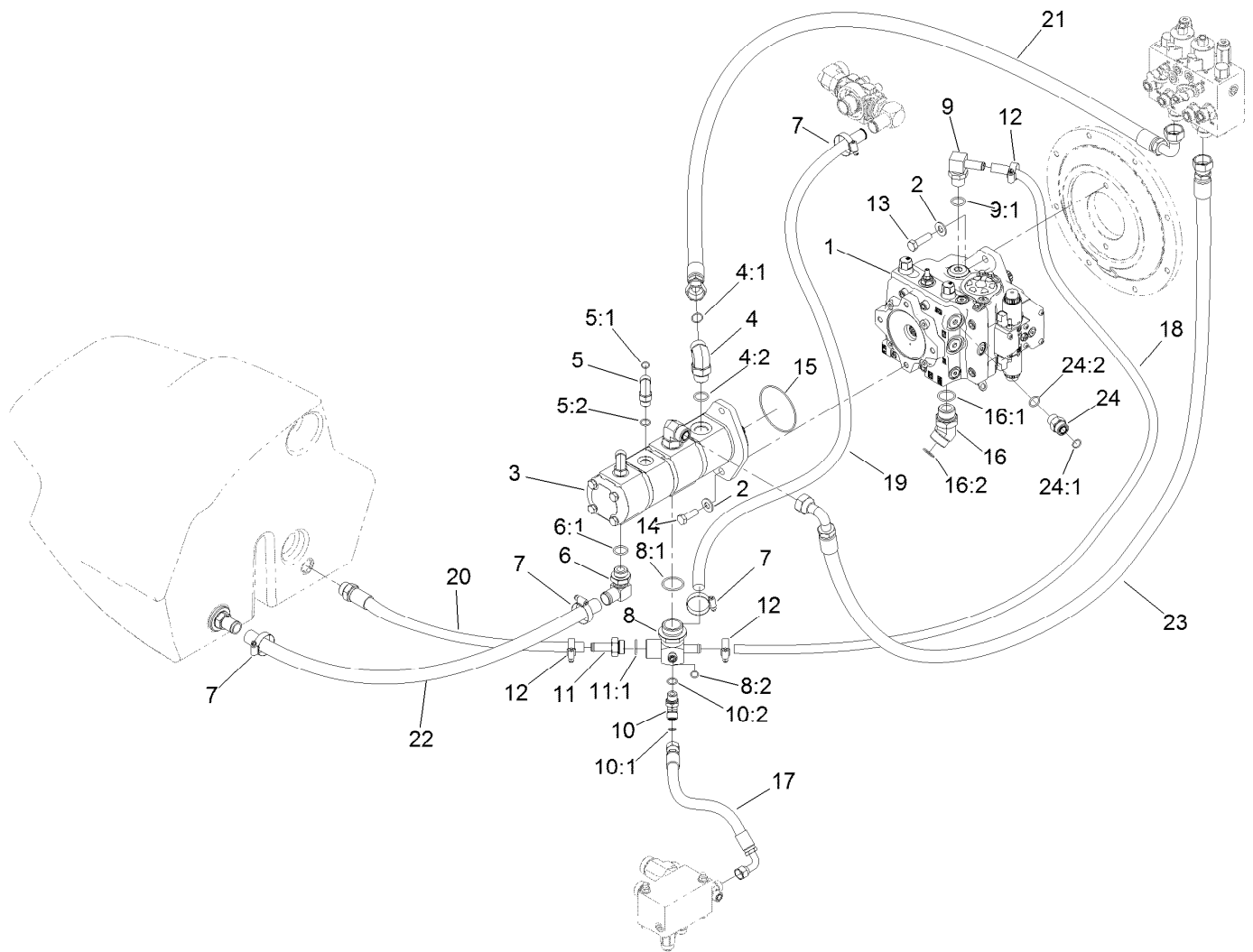
Piston Pump Assembly No. 120-9059



29 = all items with * are included in overhaul seal kit

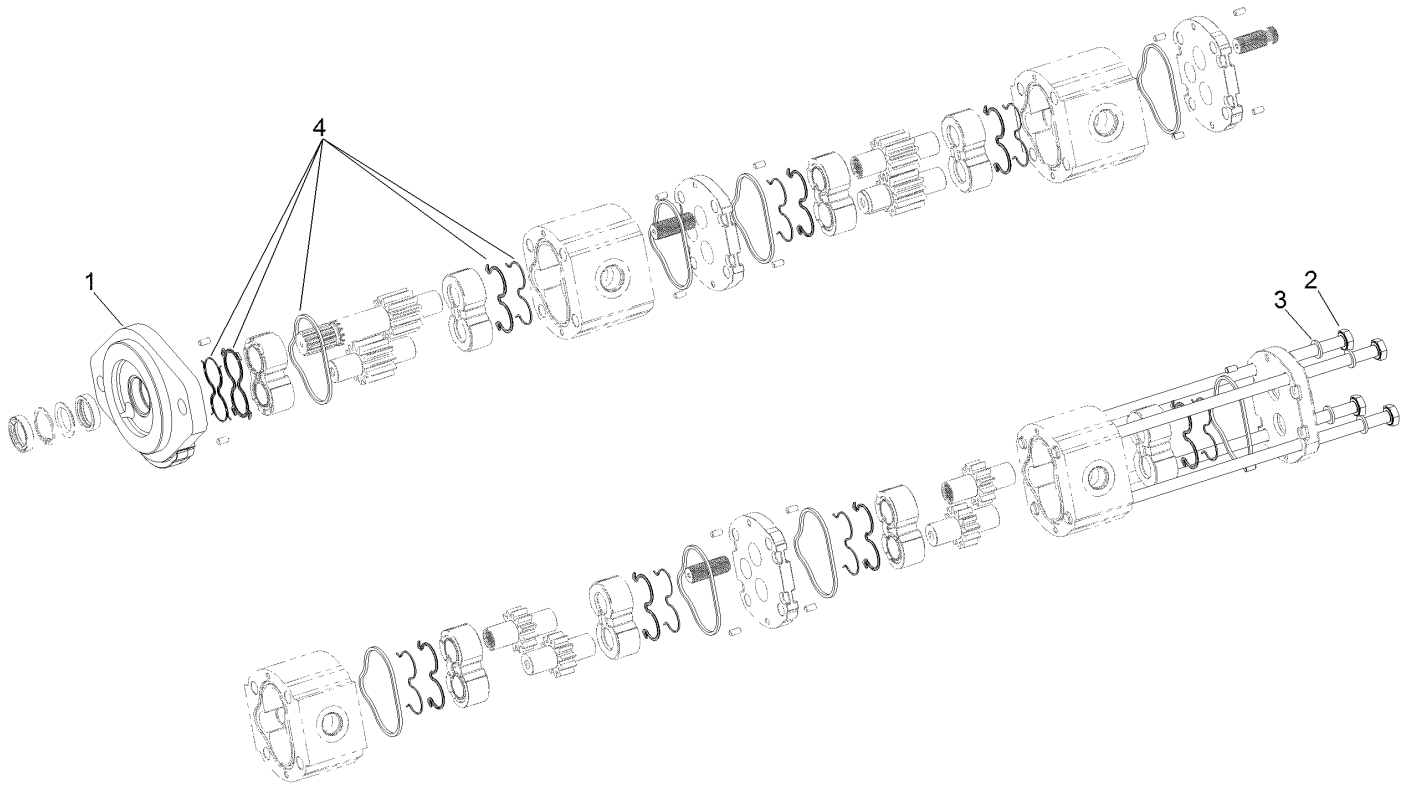
Piston Pump Assembly No. 120-9059 (continued)

<i>Ref.</i>	<i>Part Number</i>	<i>Qty.</i>	<i>Description</i>	<i>Ref.</i>	<i>Part Number</i>	<i>Qty.</i>	<i>Description</i>
1	125-5266	2	Screen	20	125-5281	4	Screw
2	75-0170	2	Plug-Thread, Straight	21	125-5282	4	Screw
2:1	92-8777	1	O-Ring	22	125-5287	1	Plate-Thrust
3	107-4352	2	Plug	23	121-1731	1	Valve-Relief, High Pressure
4	121-1723	1	Cylinder Block Kit	24	125-5291	1	Valve-Relief, High Pressure
5	121-1724	1	Plate-Valve, CW	25	121-1732	1	Swash Plate Bearing Kit
6	121-1725	1	Servo Piston ASM	26	125-5295	1	Control Kit (12 Volt)
7	125-5270	6	Screw	26:1	125-5272	6	Screw
8	125-5276	2	Orifice (0.8)	26:2	125-5273	1	Nut-Seal
9	121-1726	4	Screw	26:3	125-5302	1	Plug
10	125-5300	4	Plug ASM	26:4	125-5266	1	Screen
11	121-1727	2	Screw	26:5	125-5269	1	Ring-Locking
12	125-5301	1	Plug	26:6	125-5274	6	Screw
13	121-1728	1	Shaft	26:7	125-5294	2	Coil Kit
14	125-5279	1	Bearing-Roller	26:8	125-5283	1	Gasket-Control
15	125-5280	1	Ring-Retaining	26:9	125-5288	2	O-Ring
16	121-1729	1	Shaft Seal Kit	27	125-5303	2	Plug ASM
17	125-5284	1	Adapter	28	125-5297	1	Charge Relief Kit
18	125-5285	1	Seal-Adapter	29	121-1733	1	Overhaul Seal Kit
19	121-1730	1	Coupling				



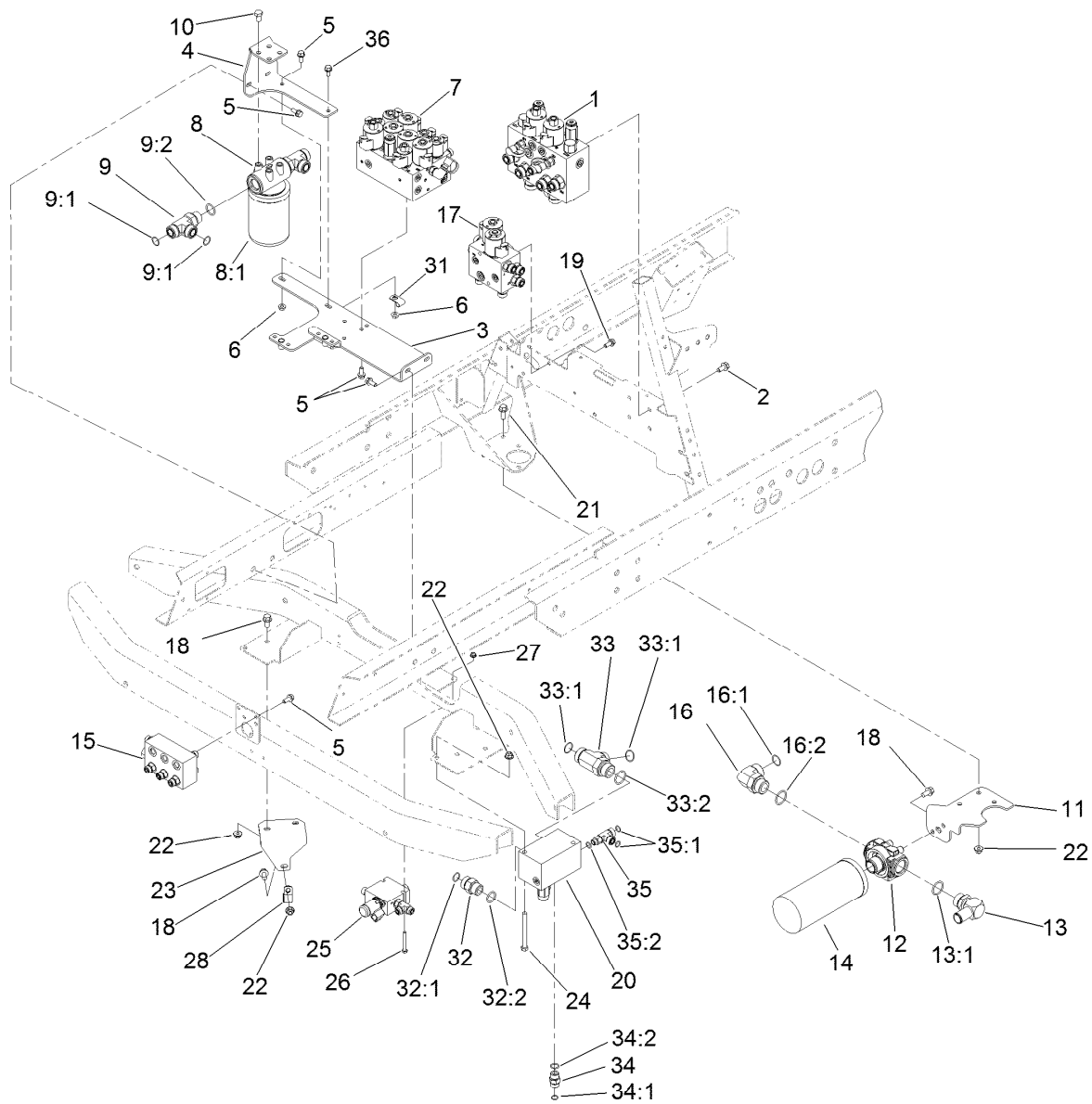
Hydraulic System Assembly

Ref.	Part Number	Qty.	Description	Ref.	Part Number	Qty.	Description
1	120-9059	1	Piston Pump ASM	11	121-1526	1	Fitting-STR
2	87-7270	4	Washer-Thrust	11:1	237-81	1	O-Ring
3	114-4189	1	4-Section Pump ASM	12	2412-129	3	Clamp-Hose
4	340-142	2	Fitting-Elbow, 90 DEG	13	121-1524	2	Screw-HH
4:1	237-58	1	O-Ring	14	121-1525	2	Screw-HH
4:2	237-81	1	O-Ring	15	107-9447	1	O-Ring
5	340-98	2	Fitting-Elbow, 90 DEG	16	104-3509	2	Fitting-HYD, 45 DEG
5:1	237-79	1	O-Ring	16:1	237-146	1	O-Ring
5:2	237-30	1	O-Ring	16:2	340-65	1	O-Ring
6	100-4202	1	Fitting-90	17	125-4616	1	Hose ASM
6:1	237-81	1	O-Ring	18	120-9050	1	Hose-HYD
7	2412-111	4	Clamp	19	121-3062	1	Hose-Suction
8	120-8016	1	Fitting-Tee	20	121-3079	1	Hose ASM
8:1	237-101	1	O-Ring	21	105-3874	1	Hose ASM
8:2	237-22	1	O-Ring	22	125-4568	1	Hose-Suction
9	117-3681	1	Fitting-HYD, 90 DEG	23	115-4384	1	Hose-HYD
9:1	237-81	1	O-Ring	24	340-7	1	Fitting-Straight
10	340-101	1	Fitting-HYD, 45 DEG	24:1	237-65	1	O-Ring
10:1	237-30	1	O-Ring	24:2	237-80	1	O-Ring
10:2	237-79	1	O-Ring				



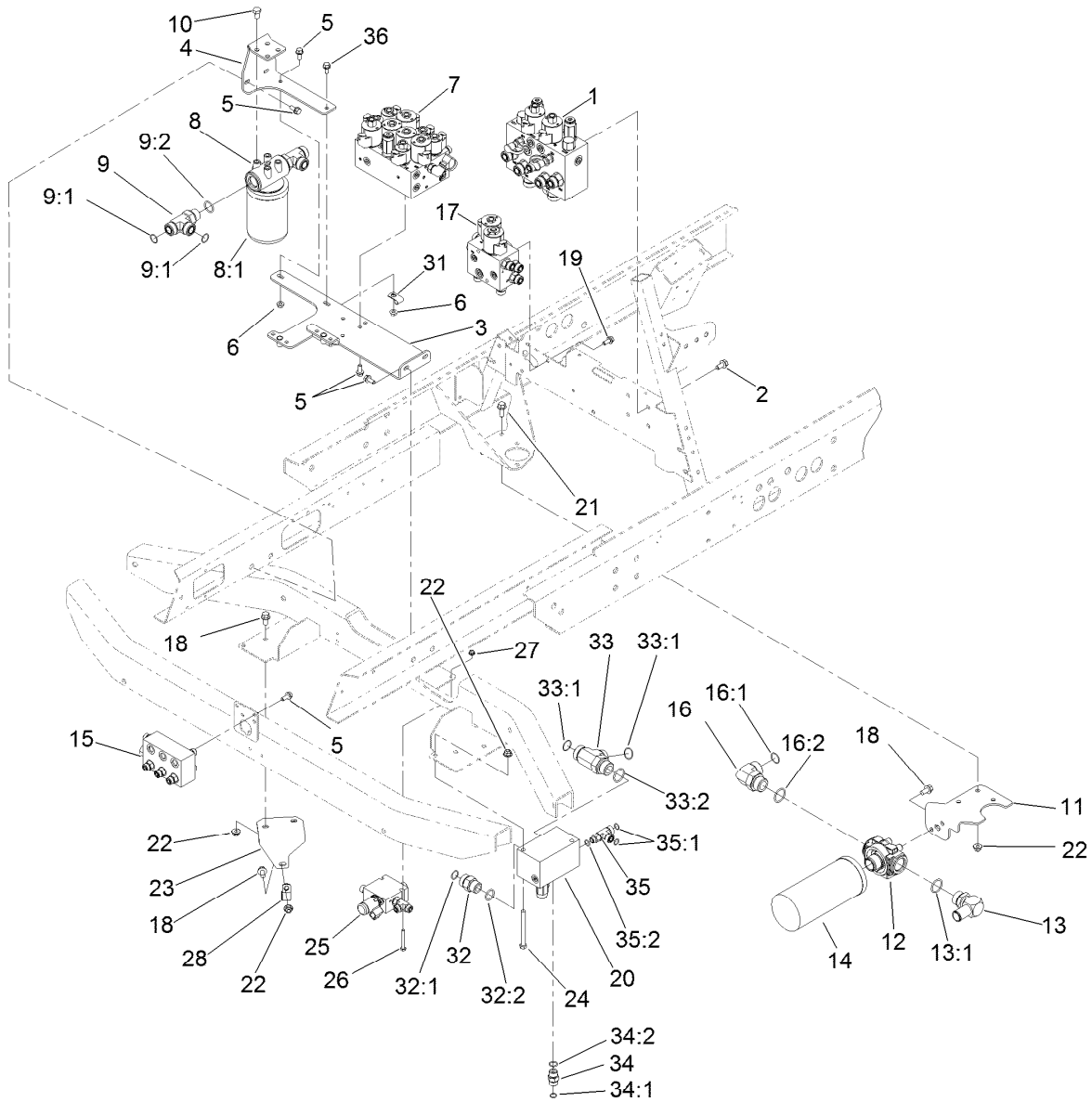
Four Section Pump Assembly No. 114-4189

<i>Ref.</i>	<i>Part Number</i>	<i>Qty.</i>	<i>Description</i>
1	115-3774	1	Cover-Front
2	115-4444	4	Bolt
3	115-9138	4	Washer
4	115-3776	1	Seal Kit



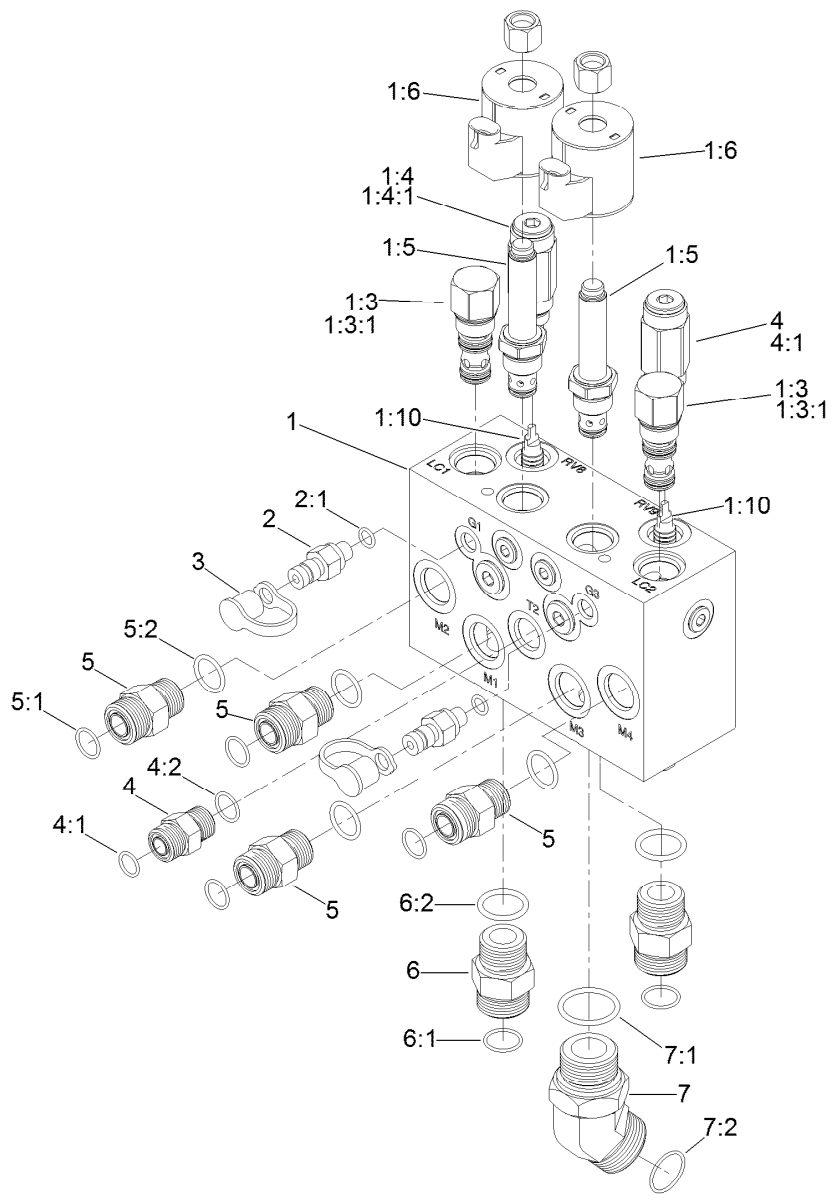
Hydraulic Valve Mounting Assembly

Ref.	Part Number	Qty.	Description	Ref.	Part Number	Qty.	Description
1	120-8064	1	Mow Manifold ASM	16:2	340-65	1	O-Ring
2	110-1718	4	Screw-HHF	17	117-2395	1	Fan Drive Manifold ASM
3	117-2362	1	Bracket-Mount, Valve	18	3234-1	5	Screw-HHF
4	104-5492-03	1	Bracket-Mount, Filter	19	100-1668	2	Screw-HHF
5	3234-5	9	Screw-HHF	20	121-3078	1	Rear Traction Manifold ASM
6	32128-20	2	Nut-HF	21	3234-11	2	Screw-HHF
7	117-2388	1	Lift Manifold ASM	22	104-8301	7	Nut-HF, NI
8	93-2242	1	Oil Filter ASM	23	121-3089-03	1	Plate-Mount, Tube
8:1	75-1310	1	Filter-HYD	24	323-42	2	Screw-HH
9	340-148	2	Fitting-Tee	25	121-3077	1	3 Way Valve Manifold ASM
9:1	237-81	1	O-Ring	26	321-11	2	Screw-HH
9:2	237-58	2	O-Ring	27	104-7201	2	Nut-HF
10	33115-016	4	Screw-HH	28	2412-4	1	Clamp-R
11	120-8022-03	1	Plate-Mount, Filter	31	56-7973	2	Clamp-Tube
12	121-1577	1	Head-Filter	32	340-9	1	Fitting-STR
13	23-8910	1	Stem-Barb-90	32:1	237-58	1	O-Ring
13:1	237-146	1	O-Ring	32:2	237-81	1	O-Ring
14	94-2621	1	Element-Filter	33	104-3795	1	Fitting-Tee
15	117-2394	1	Junction Manifold ASM	33:1	340-65	2	O-Ring
16	340-129	1	Fitting-Elbow, 90 DEG	33:2	237-146	1	O-Ring
16:1	237-146	1	O-Ring	34	340-4	1	Fitting-Straight



Hydraulic Valve Mounting Assembly (continued)

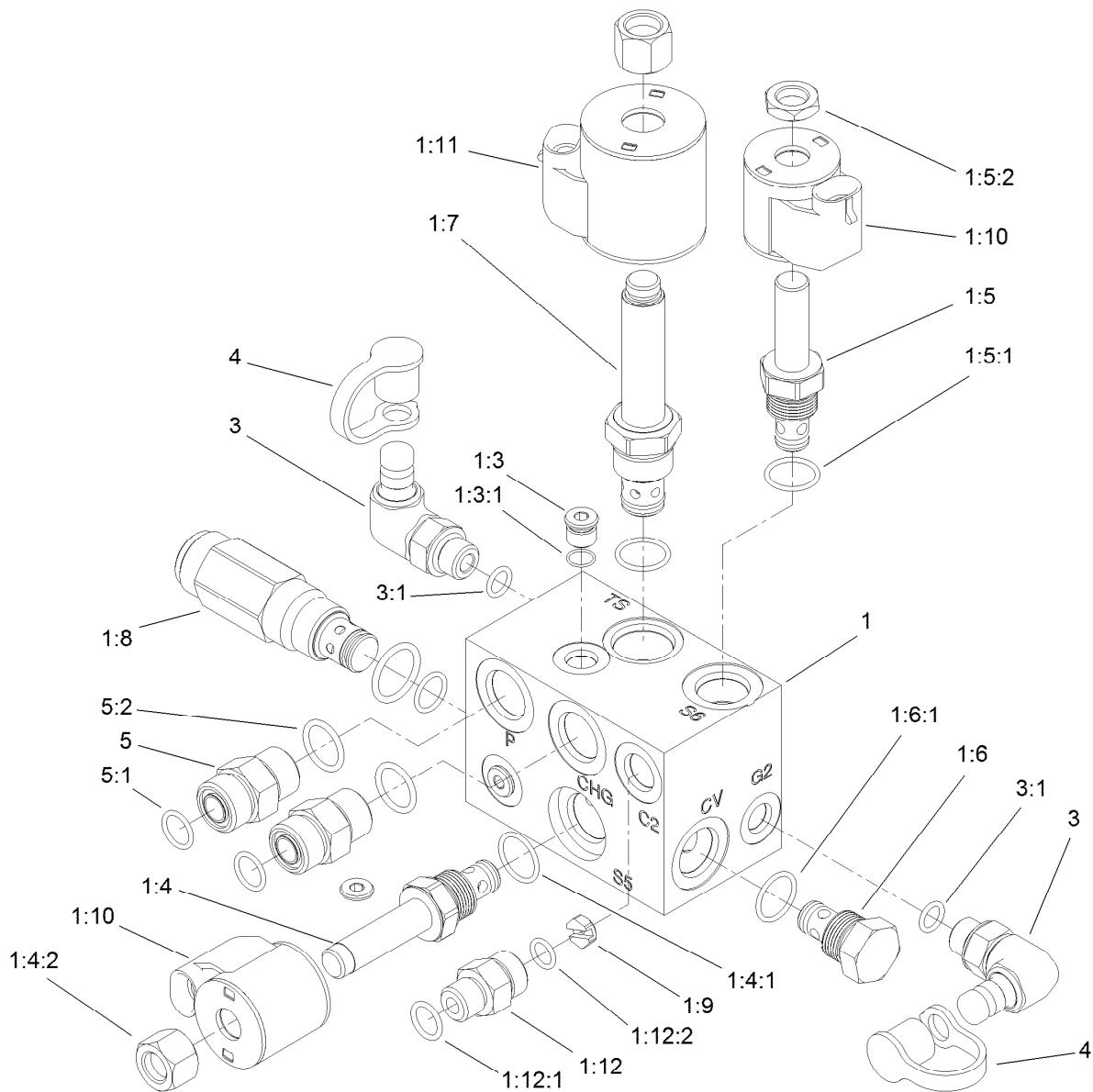
<i>Ref.</i>	<i>Part Number</i>	<i>Qty.</i>	<i>Description</i>	<i>Ref.</i>	<i>Part Number</i>	<i>Qty.</i>	<i>Description</i>
34:1	237-30	1	O-Ring	35:1	237-30	2	O-Ring
34:2	237-79	1	O-Ring	35:2	237-42	1	O-Ring
35	110-0064	1	Fitting-Tee	36	115-1794	1	Screw-HHF



Mow Manifold Assembly No. 120-8064

Ref.	Part Number	Qty.	Description	Ref.	Part Number	Qty.	Description
1		1	Manifold-Mow ●	4:2	237-79	1	O-Ring
1:3	105-9153	2	Element-Logic, Vented	5	340-7	4	Fitting-Straight
1:3:1	119-2159	1	Seal Kit	5:1	237-65	1	O-Ring
1:4	112-5259	2	Valve-Relief	5:2	237-80	1	O-Ring
1:4:1	105-9156	1	Seal Kit	6	340-9	1	Fitting-STR
1:5	110-8799	2	Valve-Relief, Proportional	6:1	237-58	1	O-Ring
1:6	110-6344	2	Coil-12V, DC	6:2	237-81	1	O-Ring
1:10	105-9157	2	Piston-Pilot	7	104-3509	1	Fitting-HYD, 45 DEG
2	354-77	2	Fitting-Quick	7:1	237-146	1	O-Ring
2:1	237-78	1	O-Ring	7:2	340-65	1	O-Ring
3	354-79	2	Cap-Dust	8	340-142	1	Fitting-Elbow, 90 DEG
4	340-4	1	Fitting-Straight	8:1	237-58	1	O-Ring
4:1	237-30	1	O-Ring	8:2	237-81	1	O-Ring

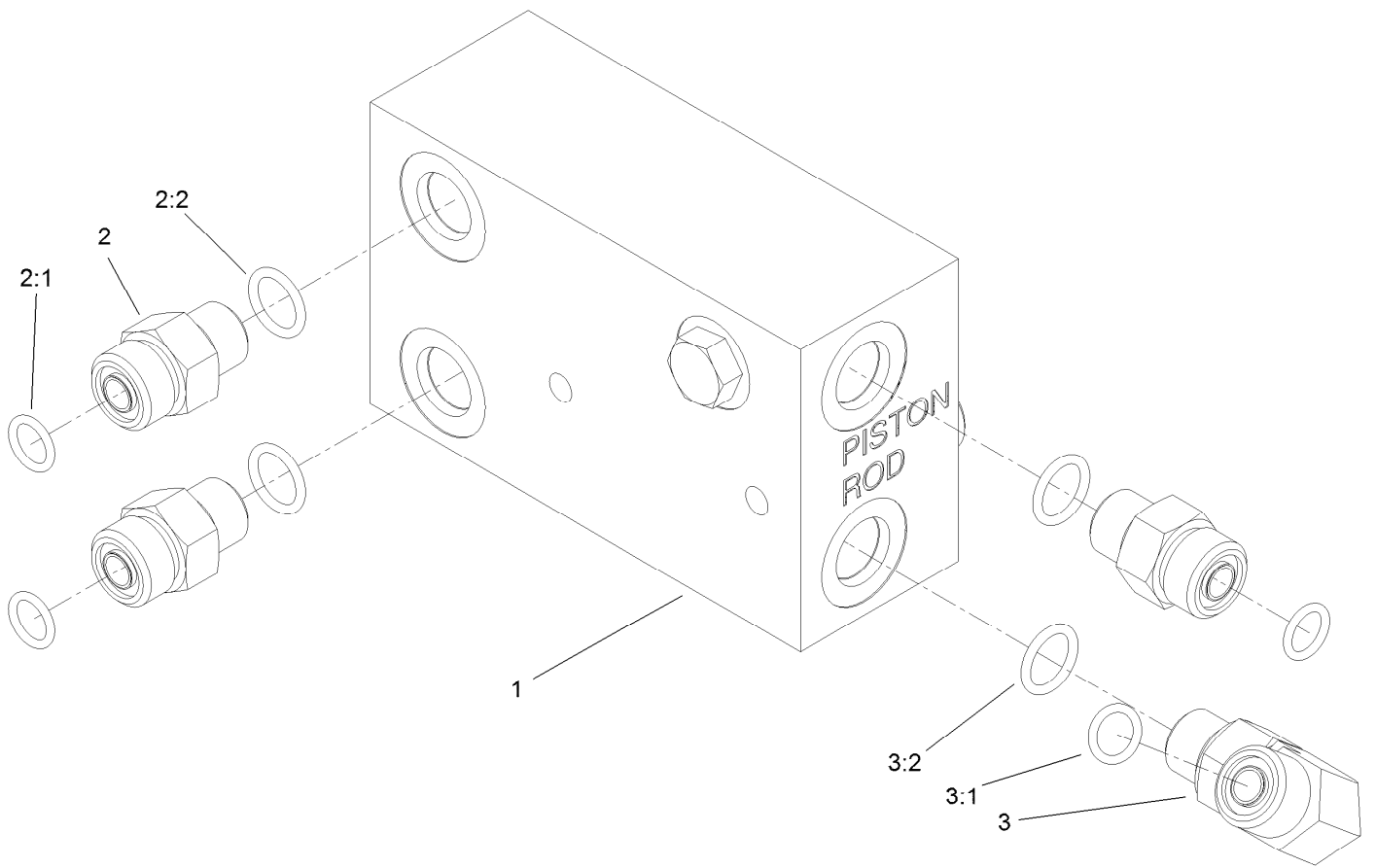
● Not serviced separately



Lift Manifold Assembly No. 117-2388

Ref.	Part Number	Qty.	Description	Ref.	Part Number	Qty.	Description
1		1	Manifold-Lift ●	1:9	117-4756	1	Orifice-Flow Control, .080
1:3	106-1025	3	Plug-HYD	1:10	110-0497	2	Coil-Solenoid
1:3:1	237-78	1	O-Ring	1:11	110-6344	1	Coil-12V, DC
1:4	107-7517	1	Valve-Solenoid	1:12	340-2	1	Fitting-Straight
1:4:1	105-9156	1	Seal Kit	1:12:1	237-22	1	O-Ring
1:4:2	107-7812	1	Nut-Solenoid	1:12:2	237-42	1	O-Ring
1:5	112-9206	1	Solenoid Valve ASM	3	115-9147	2	Fitting-Elbow, 90 DEG
1:5:1	105-9156	1	Seal Kit	3:1	237-78	1	O-Ring
1:5:2	110-2634	1	Nut-Coil	4	354-79	2	Cap-Dust
1:6	105-9321	1	Check Valve ASM	5	340-4	2	Fitting-Straight
1:6:1	105-9156	1	Seal Kit	5:1	237-30	1	O-Ring
1:7	117-2399	1	Relief Valve-Proportional	5:2	237-79	1	O-Ring
1:8	117-4793	1	Valve-Relief				

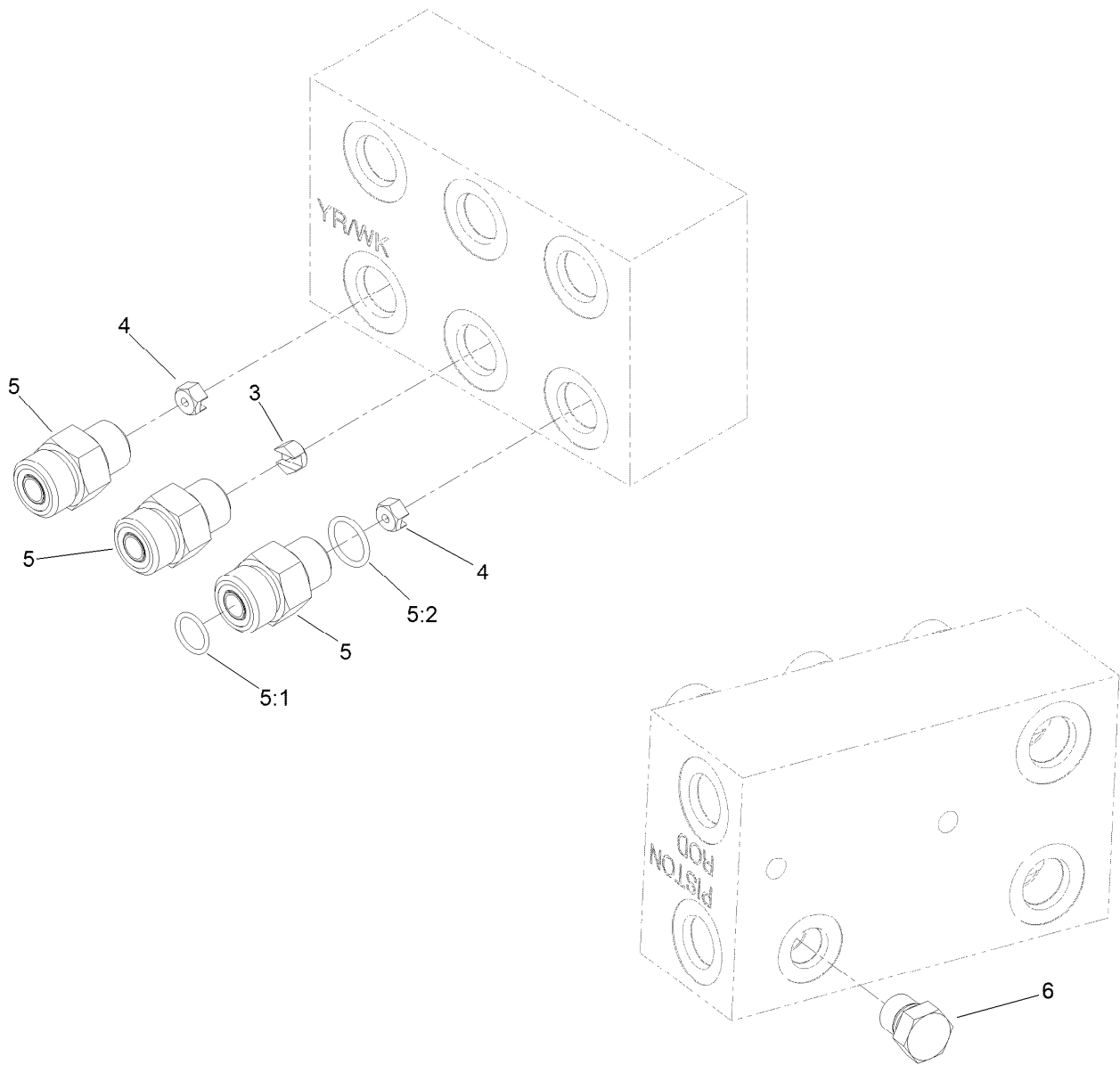
● Not serviced separately



Junction Manifold Assembly No. 117-2394

<i>Ref.</i>	<i>Part Number</i>	<i>Qty.</i>	<i>Description</i>
1		1	Manifold-Junction ●
2	340-2	3	Fitting-Straight
2:1	237-22	1	O-Ring
2:2	237-42	1	O-Ring
3	340-77	1	Fitting-Elbow, 90 DEG
3:1	237-22	1	O-Ring
3:2	237-42	1	O-Ring

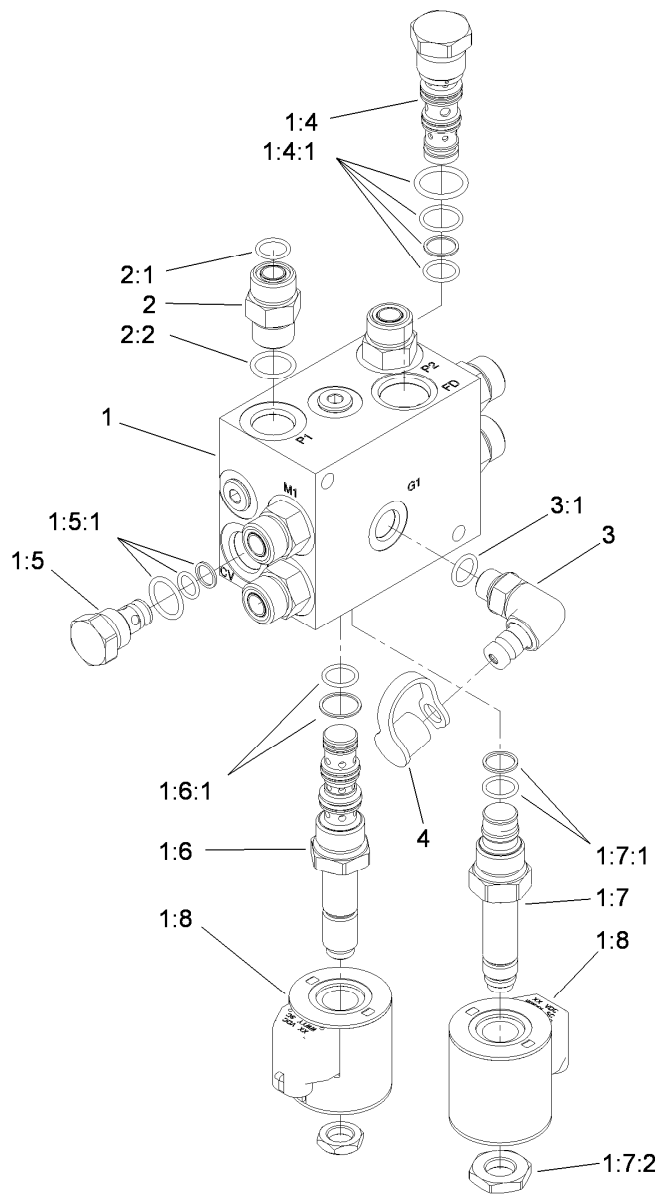
● Not serviced separately



Junction Manifold Assembly

<i>Ref.</i>	<i>Part Number</i>	<i>Qty.</i>	<i>Description</i>
3	119-2010	1	Orifice-Control, Flow (0.055)
4	119-2009	2	Orifice-Flow Control (0.030)
5	340-2	3	Fitting-Straight
5:1	237-22	1	O-Ring
5:2	237-42	1	O-Ring
6	117-0115	1	Plug
6:1	237-78	1	O-Ring ●

● Not illustrated

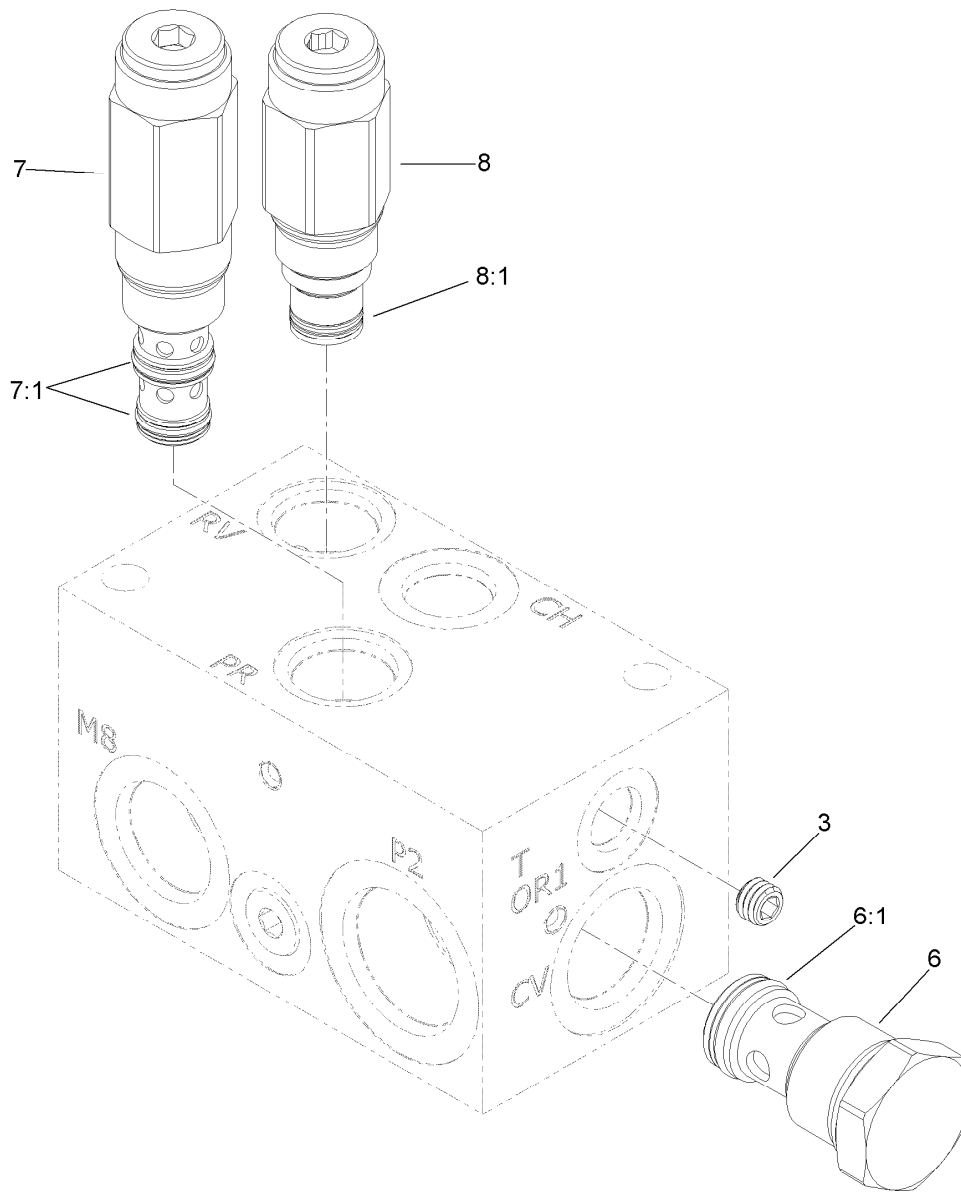


Fan Drive Manifold Assembly No. 117-2395

Ref.	Part Number	Qty.	Description
1		1	Fan Drive Manifold ASM ●
1:4	115-3024	1	Valve-Flow Divider/Combiner
1:4:1	115-3025	1	Seal Kit
1:5	105-9321	1	Check Valve ASM
1:5:1	105-9156	1	Seal Kit
1:6	115-3023	1	Solenoid Valve ASM
1:6:1	110-8908	1	Spool Valve Seal Kit
1:7	115-3022	1	Relief-Proportional

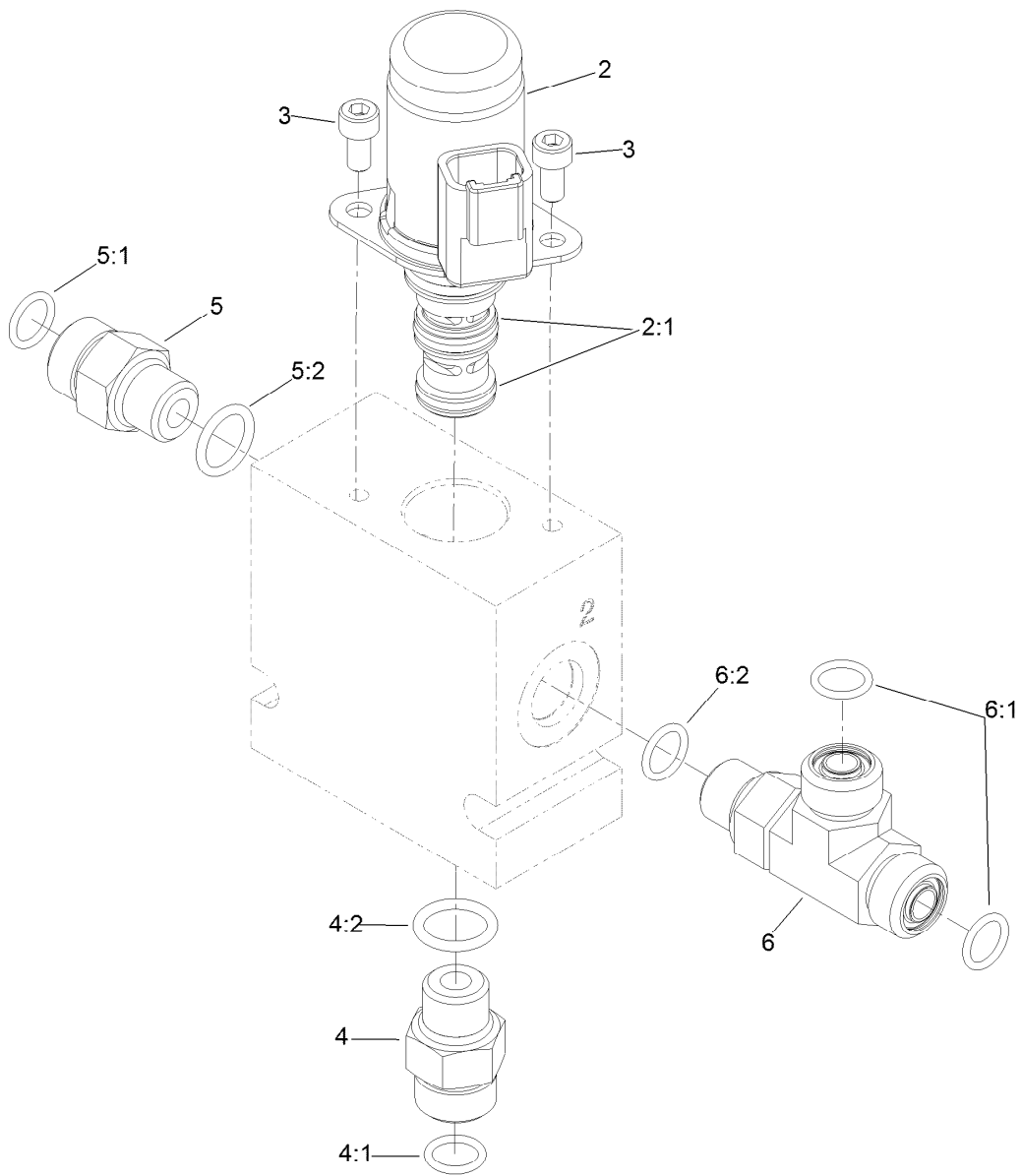
Ref.	Part Number	Qty.	Description
1:7:1	110-6316	1	Seal Kit
1:7:2	119-7715	1	Nut-Coil
1:8	110-6344	2	Coil-12V, DC
2	340-4	7	Fitting-Straight
2:1	237-30	1	O-Ring
2:2	237-79	1	O-Ring
3	115-9148	1	Fitting-Elbow-90
3:1	237-42	1	O-Ring
4	354-79	1	Cap-Dust

● Not serviced separately



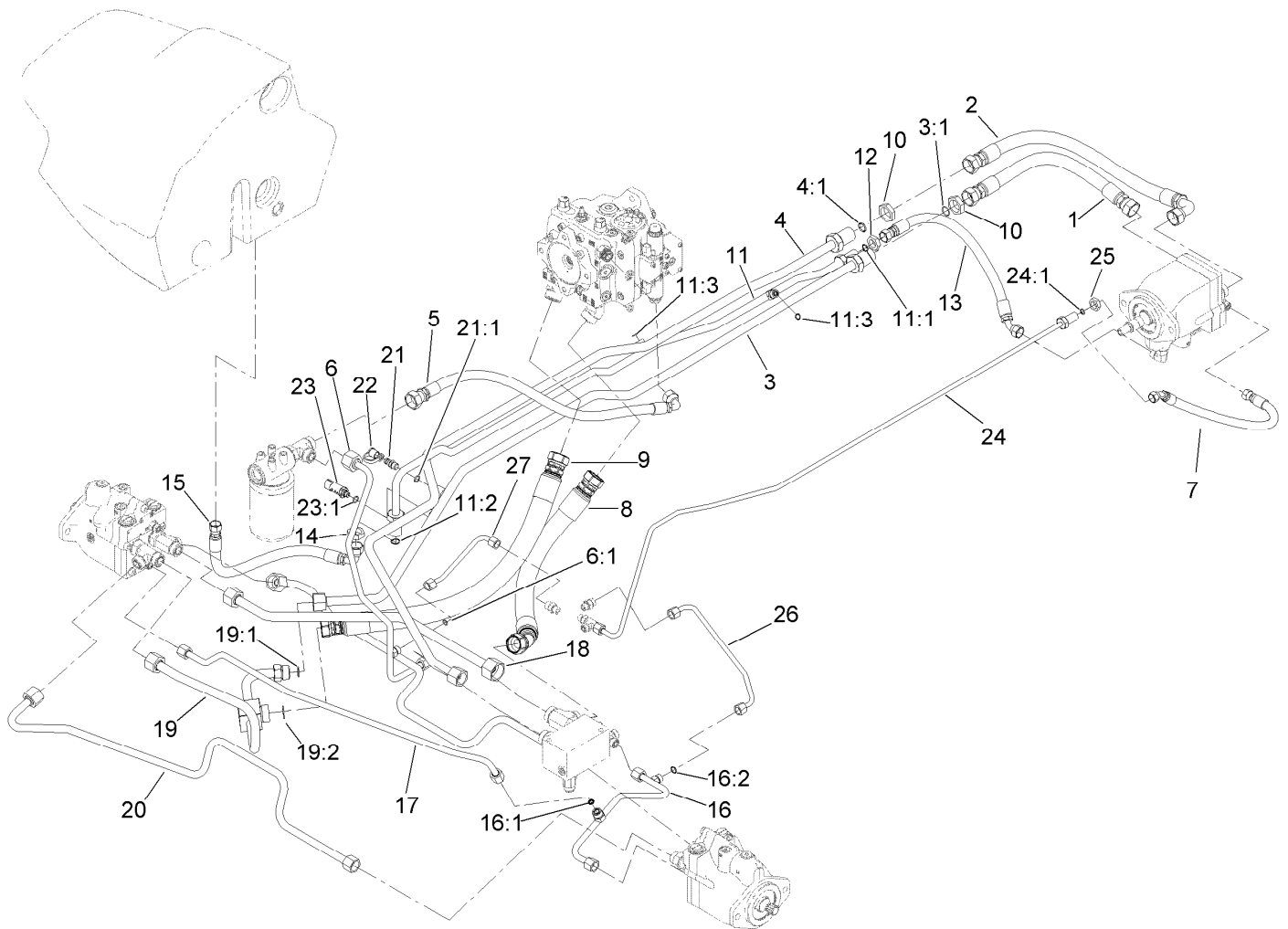
Rear Traction Manifold Assembly No. 121-3078

<i>Ref.</i>	<i>Part Number</i>	<i>Qty.</i>	<i>Description</i>
3	110-0495	1	Plug-Orifice (0.050 Inch)
6	125-4328	1	Valve-Check
6:1	125-4336	1	Seal Kit
7	125-7567	1	Valve-Pressure Reducing
7:1	125-4334	1	Seal Kit
8	125-7566	1	Valve-Relief
8:1	125-7568	1	Seal Kit



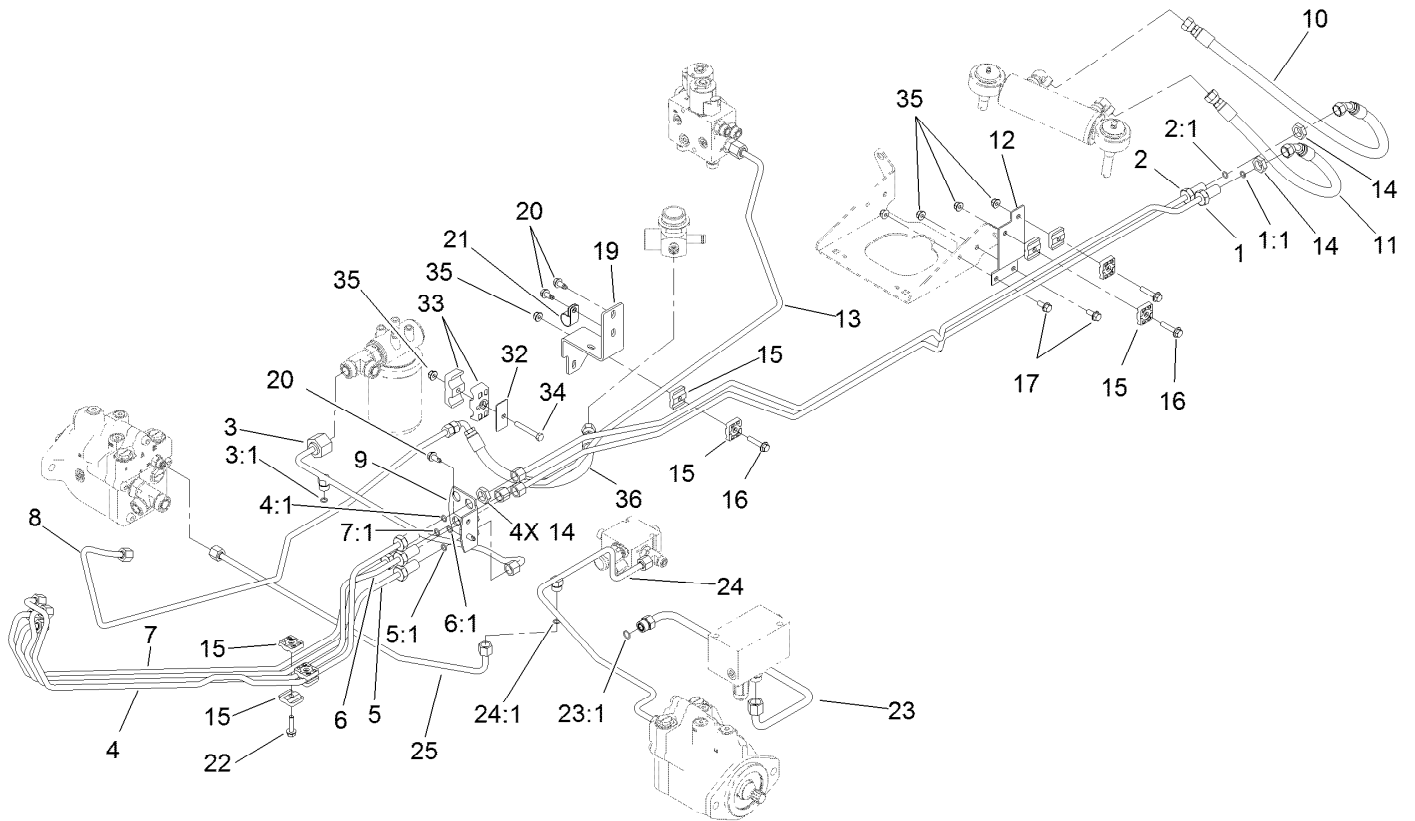
3 Way Manifold Valve Assembly No. 121-3077

<i>Ref.</i>	<i>Part Number</i>	<i>Qty.</i>	<i>Description</i>
2	125-7554	1	Valve-Solenoid
2:1	125-7561	1	Seal Kit
3	115-8733	2	Screw-HSH
4	340-2	1	Fitting-Straight
4:1	237-22	1	O-Ring
4:2	237-42	1	O-Ring
5	92-9258	1	Adapter-Check
5:1	237-22	1	O-Ring
5:2	237-42	1	O-Ring
6	340-86	1	Fitting-Tee
6:1	237-22	2	O-Ring
6:2	237-42	1	O-Ring



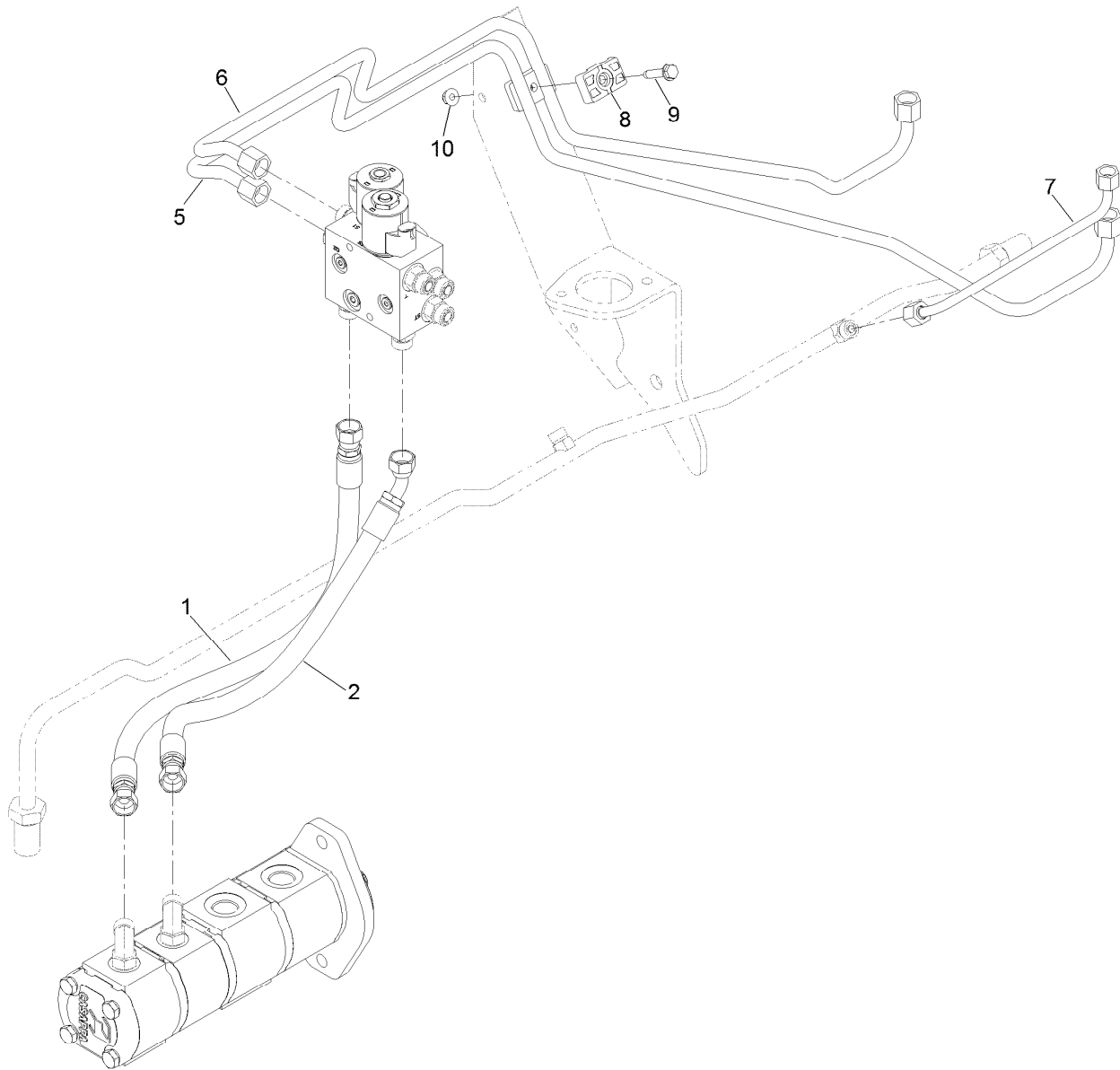
Hydraulic Traction Circuit Assembly

Ref.	Part Number	Qty.	Description	Ref.	Part Number	Qty.	Description
1	120-8053	1	Hose ASM	15	120-8097	1	Hose ASM
2	104-3789	1	Filter Hose ASM	16	121-3055	1	Tube ASM
3	120-8079	1	Tube ASM	16:1	237-30	1	O-Ring
3:1	237-58	1	O-Ring	16:2	237-22	1	O-Ring
4	120-8080	1	Tube ASM	17	121-3056	1	Tube ASM
4:1	237-58	1	O-Ring	18	121-3123	1	Tube ASM
5	121-3094	1	Hose ASM	19	125-4569	1	Tube ASM
6	120-8047	1	Tube ASM	19:1	237-58	1	O-Ring
6:1	237-22	2	O-Ring	19:2	340-65	1	O-Ring
7	92-7595	1	Hose-HYD	20	121-3054	2	Tube ASM
8	120-8098	1	Hose ASM	21	59-7410	1	Fitting-Diagnostic
9	125-4571	1	Hose ASM	21:1	237-42	1	O-Ring
10	340-126	2	Nut-Bulkhead	22	354-79	1	Cap-Dust
11	120-8025	1	Tube ASM	23	119-0011	1	Pressure Transducer ASM
11:1	237-30	1	O-Ring	23:1	237-78	1	O-Ring
11:2	237-65	1	O-Ring	24	120-8052	1	Tube ASM
11:3	237-22	2	O-Ring	24:1	237-22	1	O-Ring
12	340-127	1	Nut-Bulkhead	25	340-70	1	Nut-Lock
13	92-2406	1	Hose-HYD	26	125-4563	1	Tube ASM
14	340-74	1	Nut-Lock, Bulkhead	27	125-4566	1	Tube ASM



Hydraulic Steering Circuit Assembly

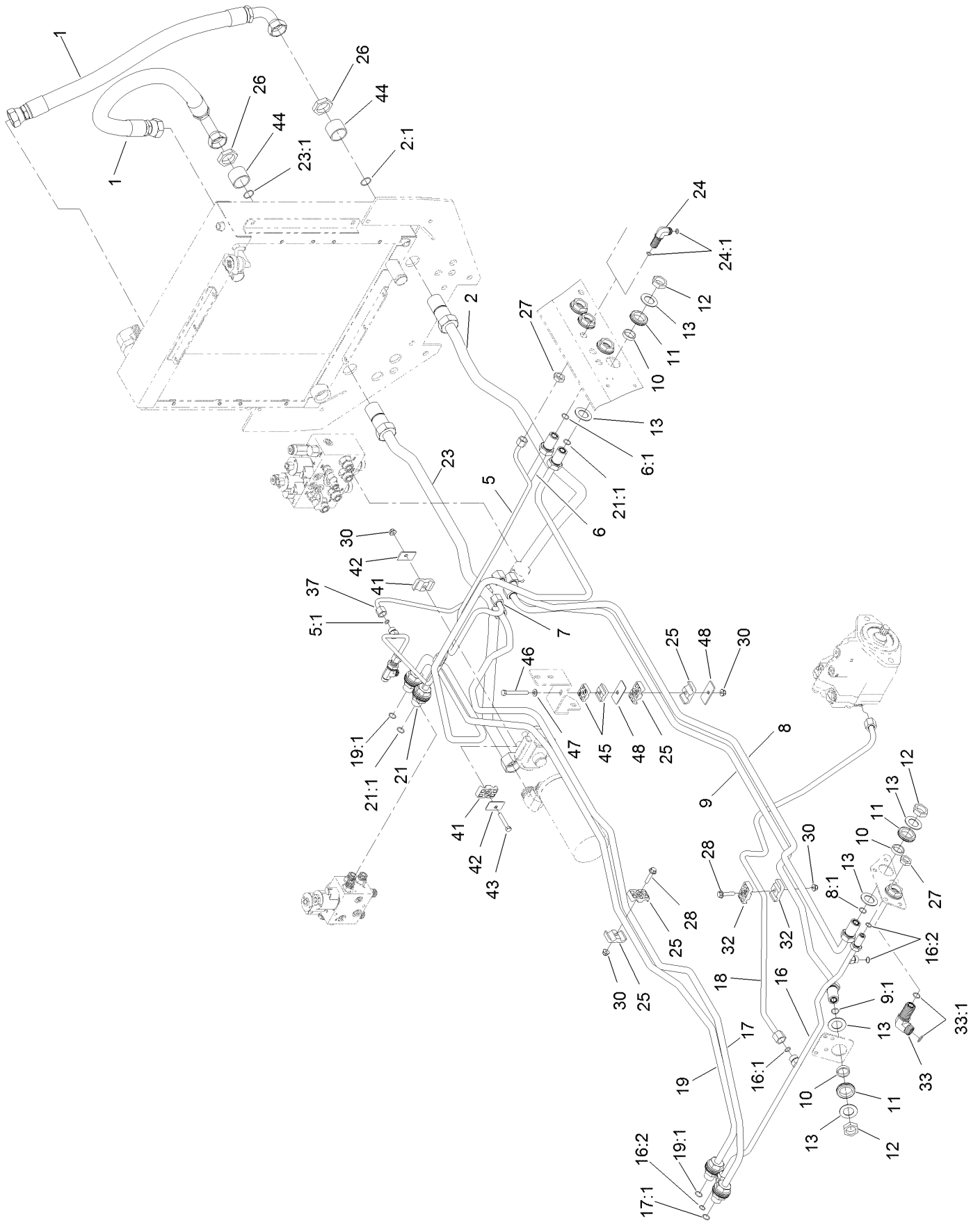
Ref.	Part Number	Qty.	Description	Ref.	Part Number	Qty.	Description
1	120-8056	1	Tube ASM	13	120-8057	1	Tube ASM
1:1	237-22	1	O-Ring	14	340-70	6	Nut-Lock
2	120-8055	1	Tube ASM	15	56-7973	10	Clamp-Tube
2:1	237-22	1	O-Ring	16	115-1794	3	Screw-HHF
3	115-4412	1	Tube ASM	17	3234-5	2	Screw-HHF
3:1	237-22	1	O-Ring	19	105-3993-03	1	Bracket-Support, Tube
4	115-4408	1	Tube ASM	20	32104-32	4	Screw-HWH
4:1	237-22	1	O-Ring	21	2412-81	1	Clamp-R
5	115-4406	1	Tube ASM	22	119-4036	2	Screw-HHF
5:1	237-22	1	O-Ring	23	125-4570	1	Tube ASM
6	115-4409	1	Tube ASM	23:1	237-30	1	O-Ring
6:1	237-22	1	O-Ring	24	121-3064	1	Tube ASM
7	115-4405	1	Tube ASM	24:1	237-22	1	O-Ring
7:1	237-22	1	O-Ring	25	121-3063	1	Tube ASM
8	125-4581	1	Tube ASM	32	69-9761	1	Plate-Cover
9	92-7606-03	1	Bracket-Bulkhead	33	94-8105	2	Clamp-Tube
10	125-4560	1	Hose ASM	34	322-11	1	Screw-HH
11	92-7539	1	Hose-HYD	35	104-8300	6	Nut-HF, NI
12	105-3873-03	1	Bracket-Mount, Clamp	36	92-5694	1	Hose-Hydraulic



Hydraulic Lift Circuit Assembly

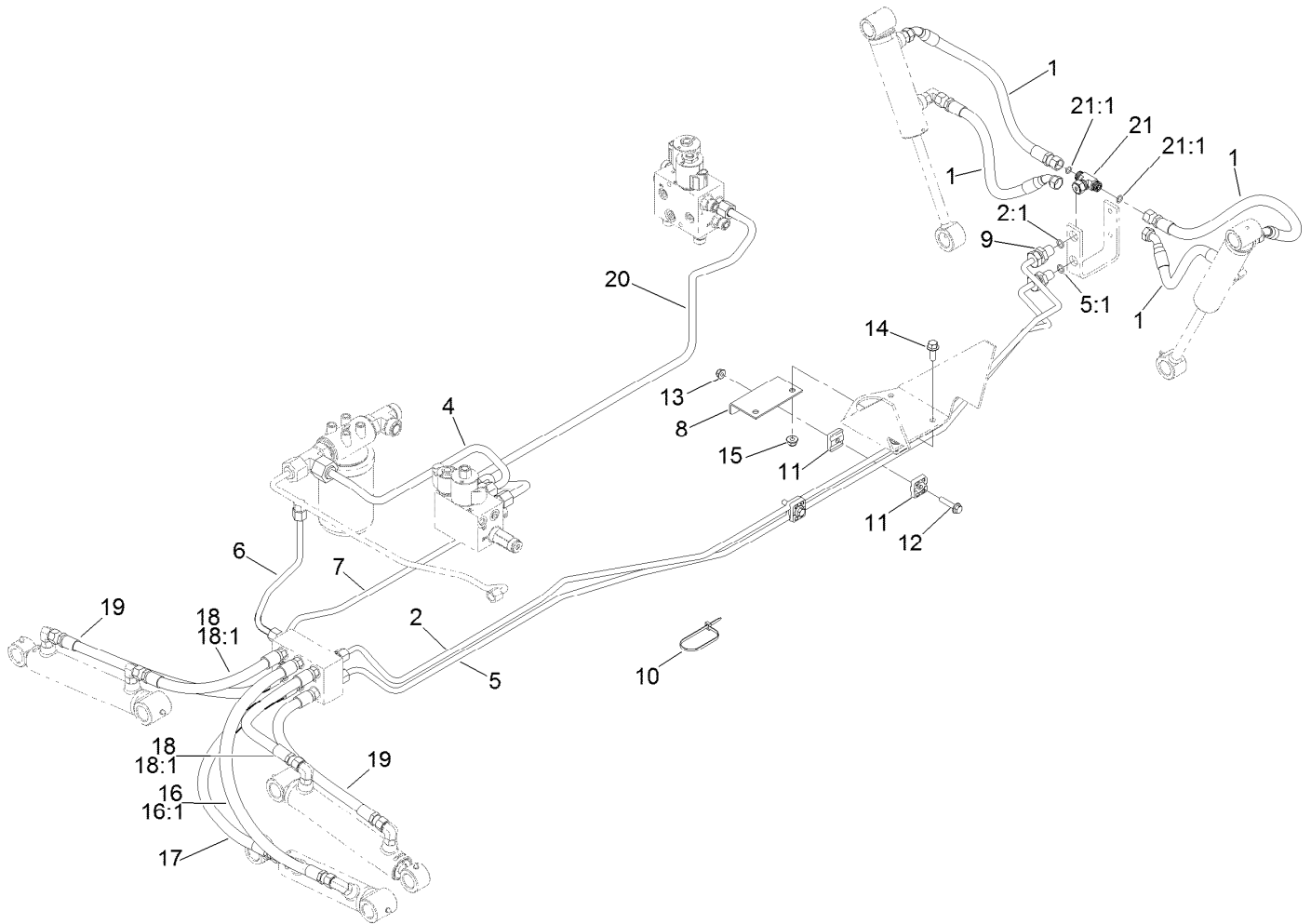
<i>Ref.</i>	<i>Part Number</i>	<i>Qty.</i>	<i>Description</i>
1	125-4558	1	Hose ASM
2	95-8829	1	Hose ASM
5	125-4601	1	Tube ASM
6	125-4599	1	Tube ASM
7	125-4602	1	Tube ASM
8	56-7976	2	Clamp-Tube
9	32144-57	1	Screw
10	104-8300	1	Nut-HF, NI

Hydraulic Mow Circuit Assembly



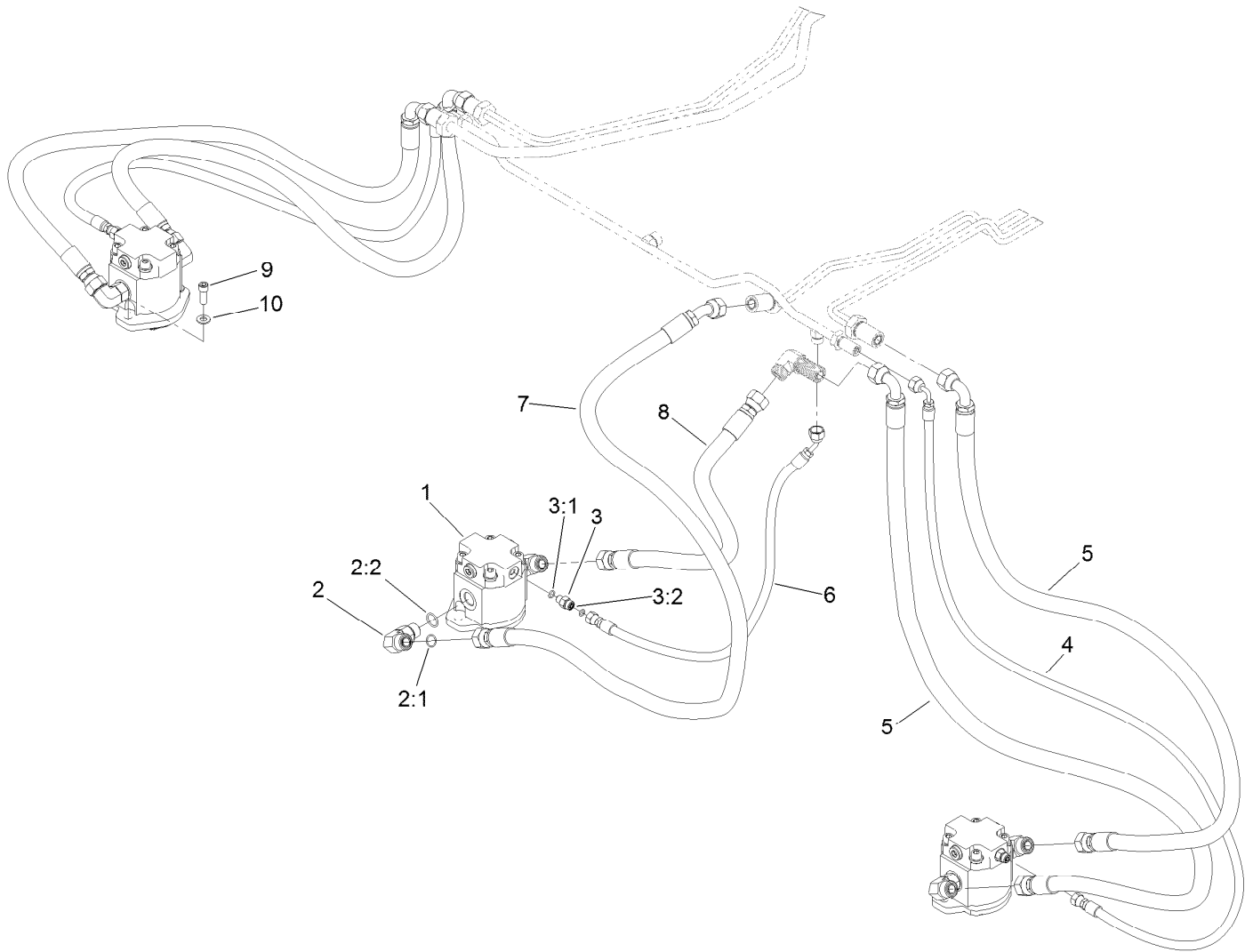
Hydraulic Mow Circuit Assembly (continued)

<i>Ref.</i>	<i>Part Number</i>	<i>Qty.</i>	<i>Description</i>	<i>Ref.</i>	<i>Part Number</i>	<i>Qty.</i>	<i>Description</i>
1	108-1689	2	Hose-HYD	21	121-3113	1	Tube ASM
2	125-4574	1	Tube ASM	21:1	237-65	2	O-Ring
2:1	340-65	1	O-Ring	23	125-4573	1	Tube ASM
5	121-3114	1	Tube ASM	23:1	340-65	1	O-Ring
5:1	237-22	1	O-Ring	24	340-154	2	Union-Bulkhead
6	125-4557	1	Tube ASM	24:1	237-22	2	O-Ring
6:1	237-65	1	O-Ring	25	56-7971	4	Clamp-Tube
7	115-4398	1	Tube-HYD	26	340-128	2	Nut-Bulkhead
8	115-4371	1	Tube-HYD	27	340-70	4	Nut-Lock
8:1	237-65	1	O-Ring	28	115-1794	2	Screw-HHF
9	115-4370	1	Tube-HYD	30	104-8300	4	Nut-HF, NI
9:1	237-65	1	O-Ring	32	56-7972	2	Clamp-Tube
10	69-9000	9	Spacer	33	340-72	1	Fitting-Bulkhead, 90 DEG
11	240-3	9	Grommet-Rubber	33:1	237-65	2	O-Ring
12	340-74	9	Nut-Lock, Bulkhead	37	121-3115	1	Tube ASM
13	69-9010	18	Washer	41	56-7977	2	Clamp-Tube
16	120-8081	1	Tube ASM	42	69-9760	2	Plate-Cover
16:1	237-30	1	O-Ring	43	322-10	1	Screw-HH
16:2	237-22	3	O-Ring	44	125-4577	2	Spacer
17	125-4556	1	Tube ASM	45	56-7973	2	Clamp-Tube
17:1	237-65	1	O-Ring	46	322-14	1	Screw-HH
18	120-8082	1	Tube ASM	47	3256-23	1	Washer-Plain
19	105-3901	1	Tube ASM	48	69-9761	2	Plate-Cover
19:1	237-65	2	O-Ring				



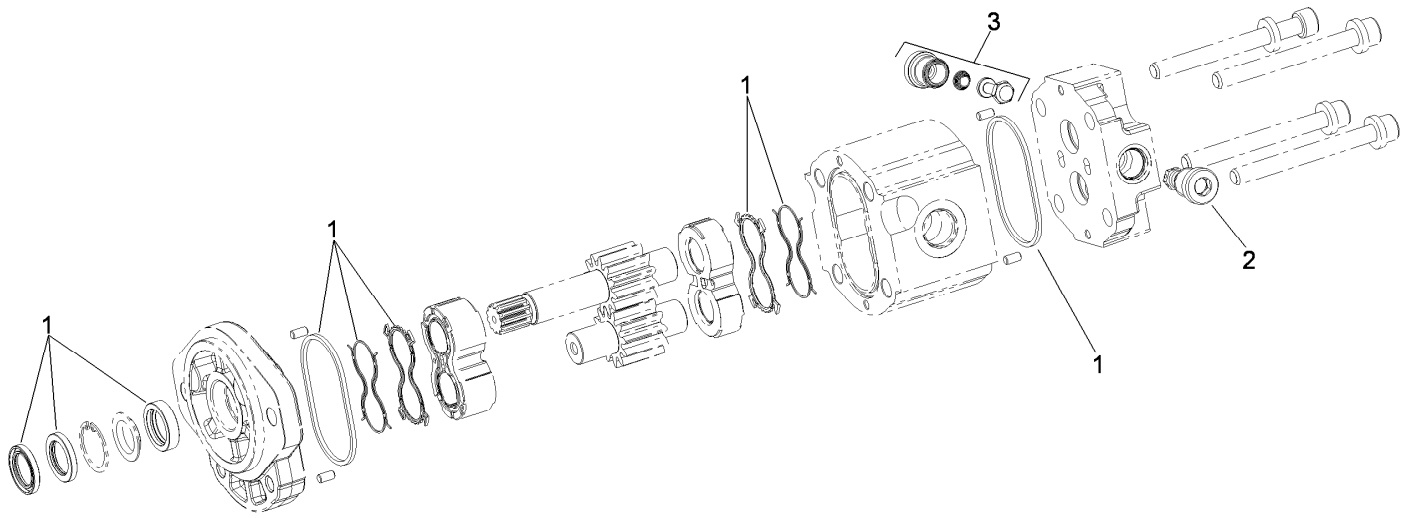
Deck Lift Hydraulic Assembly

<i>Ref.</i>	<i>Part Number</i>	<i>Qty.</i>	<i>Description</i>	<i>Ref.</i>	<i>Part Number</i>	<i>Qty.</i>	<i>Description</i>
1	105-9238	4	Hose-HYD	13	104-8300	3	Nut-HF, NI
2	121-3103	1	Tube ASM	14	3234-11	2	Screw-HHF
2:1	237-22	1	O-Ring	15	104-8301	1	Nut-HF, NI
4	114-8143	1	Tube-HYD	16	104-5511	1	Hose -HYD
5	121-3104	1	Tube ASM	16:1	237-42	1	O-Ring
5:1	237-22	1	O-Ring	17	100-5629	1	Hose ASM
6	115-9121	1	Tube-HYD	18	104-5512	2	Hose-HYD
7	114-8142	1	Tube-HYD	18:1	237-42	1	O-Ring
8	105-3990-03	1	Bracket-Support, Tube	19	99-3579	2	Hose-HYD
9	340-70	2	Nut-Lock	20	120-8058	1	Tube ASM
10	3334-945	1	Tie-Cable	21	340-166	2	Fitting-Tee
11	56-7973	4	Clamp-Tube	21:1	237-22	2	O-Ring
12	115-1794	2	Screw-HHF				



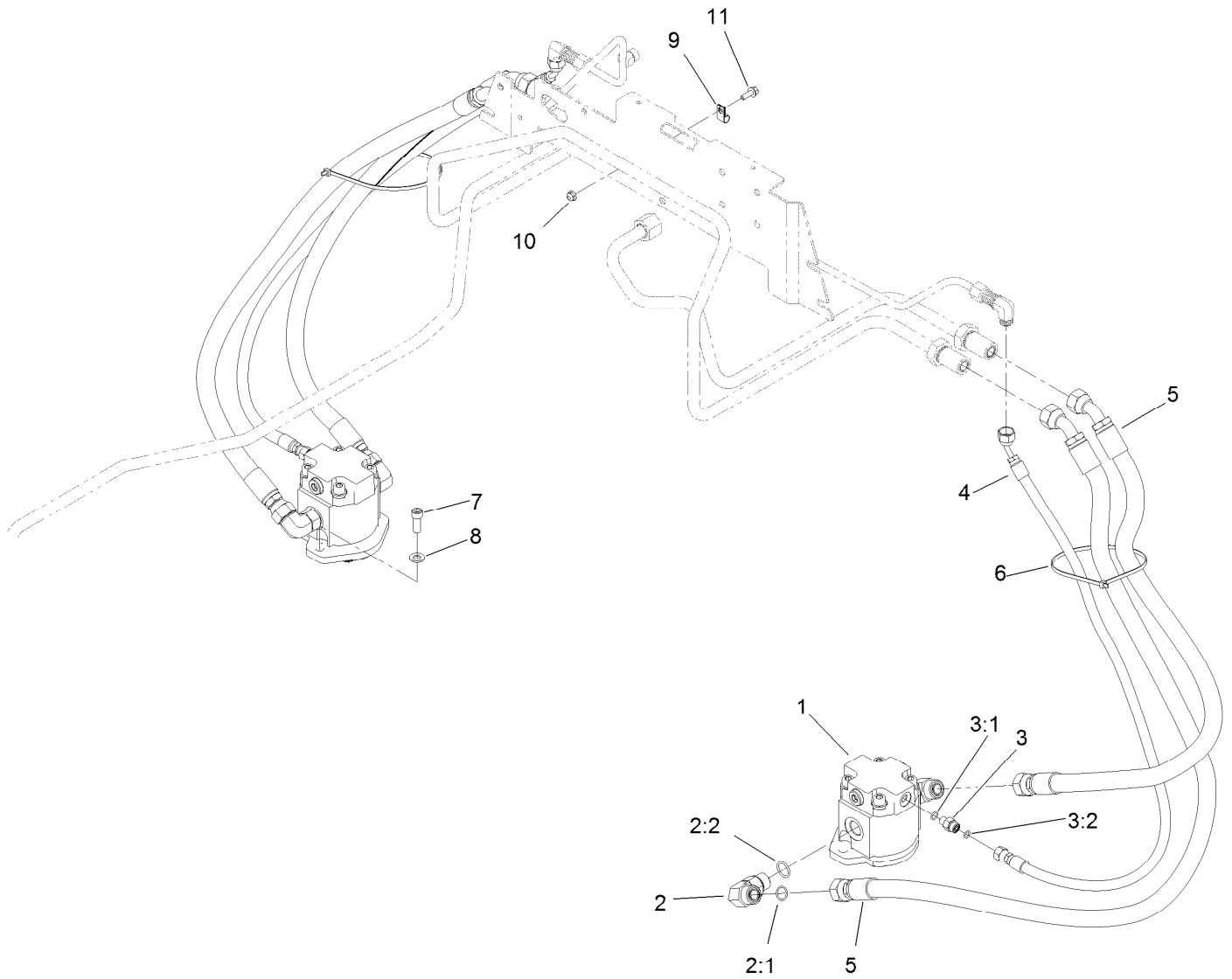
Deck No. 1, 4 and 5 Hydraulic Assembly

<i>Ref.</i>	<i>Part Number</i>	<i>Qty.</i>	<i>Description</i>
1	117-5141	3	HYD Motor ASM
2	340-17	6	Fitting-Elbow, 90 DEG
2:1	237-65	1	O-Ring
2:2	237-80	1	O-Ring
3	340-92	3	Fitting-Straight
3:1	237-78	1	O-Ring
3:2	237-21	1	O-Ring
4	104-5500	2	Hose-HYD
5	104-5501	4	Hose-HYD
6	104-5502	1	Hose-HYD
7	104-5504	1	Hose-HYD
8	104-5505	1	Hose-HYD
9	3274-7	6	Screw-HSH
10	3256-24	6	Washer-Flat



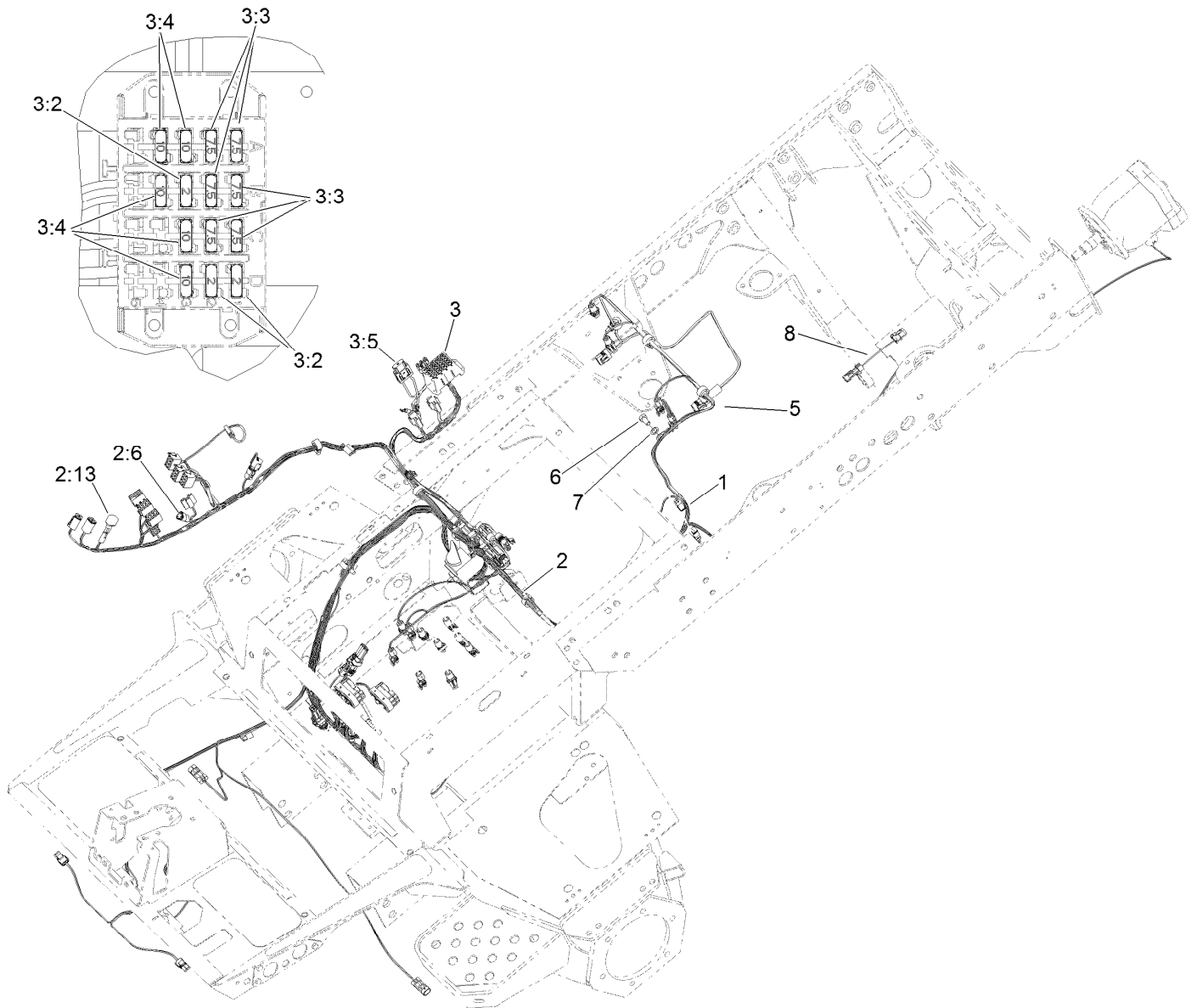
Gear Motor Assembly No. 117-5141

<i>Ref.</i>	<i>Part Number</i>	<i>Qty.</i>	<i>Description</i>
1	117-0235	1	Seal Kit
2	107-7820	1	Valve-Relief
3	107-7821	1	Valve-Anticavitation



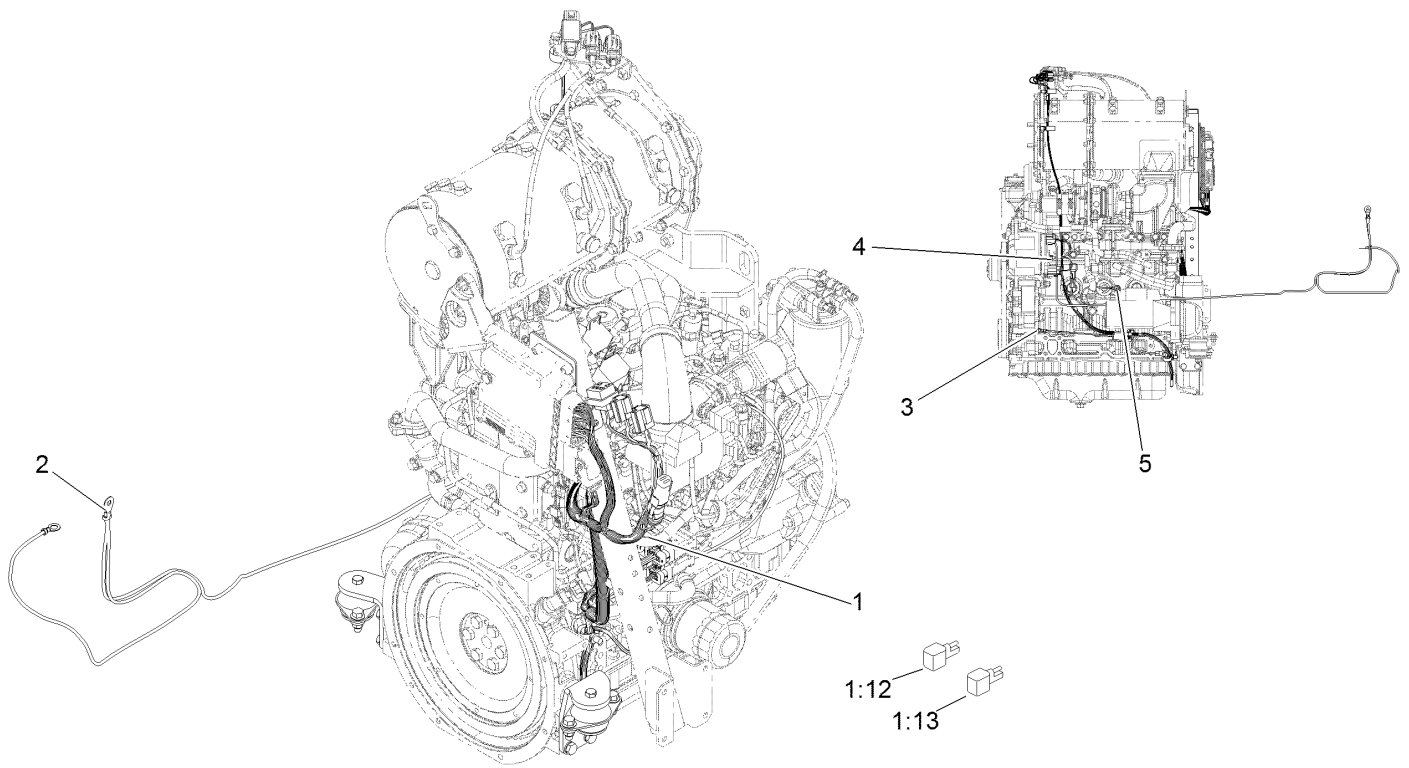
Deck No. 2 and 3 Hydraulic Assembly

Ref.	Part Number	Qty.	Description
1	117-5141	2	HYD Motor ASM
2	340-17	4	Fitting-Elbow, 90 DEG
2:1	237-65	1	O-Ring
2:2	237-80	1	O-Ring
3	340-92	2	Fitting-Straight
3:1	237-78	1	O-Ring
3:2	237-21	1	O-Ring
4	104-5502	2	Hose-HYD
5	104-5505	4	Hose-HYD
6	3290-379	2	Tie-Cable
7	3274-7	4	Screw-HSH
8	3256-24	4	Washer-Flat
9	2412-89	1	Clamp-R
10	104-7201	1	Nut-HF
11	3234-4	1	Screw-HHF



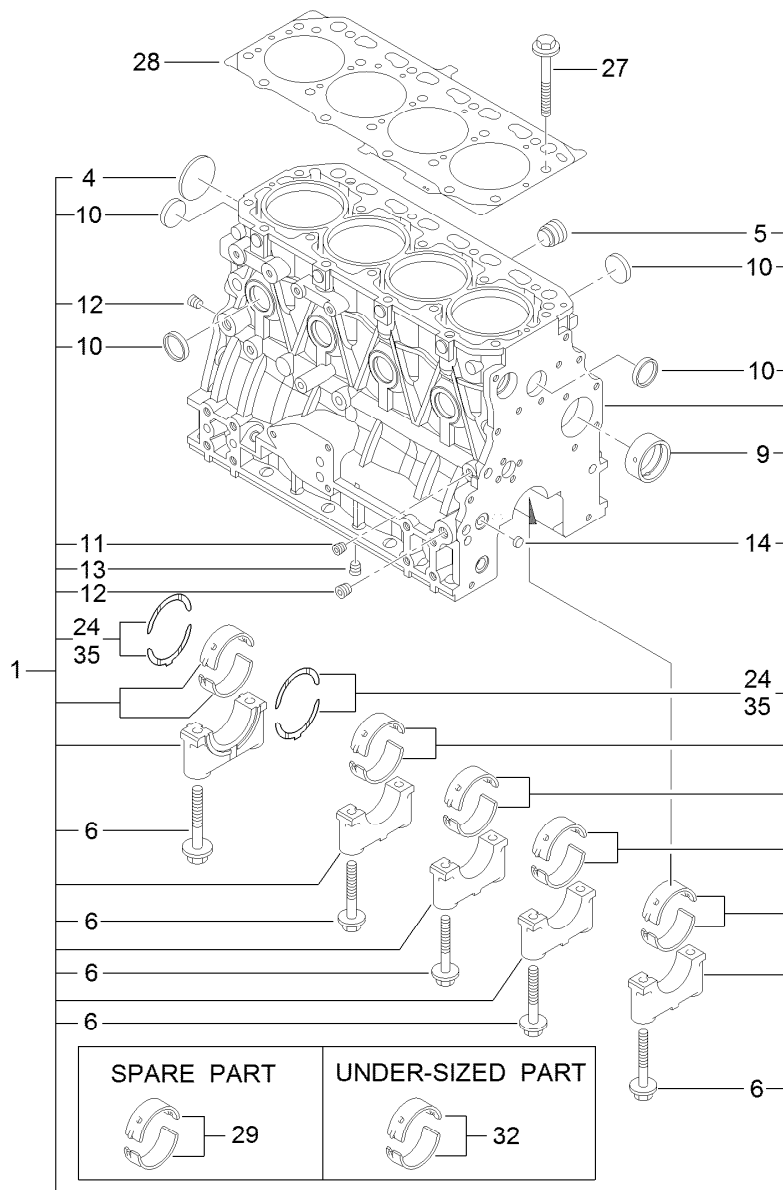
Main Wire Harness Assembly

<i>Ref.</i>	<i>Part Number</i>	<i>Qty.</i>	<i>Description</i>
1	120-6359	1	Harness-Wire, Main
2	120-6358	1	Harness-Wire
2:6	32180-043	1	Resistor-120 Ohm
2:13	104-4022	1	Resistor-75 Ohm
3	121-8857	1	Harness-Wire, Power Center
3:2	121-8861	3	Fuse-Mini Blade, 2 Amp
3:3	121-8865	6	Fuse-Mini Blade, 7.5 Amp
3:4	121-8866	5	Fuse-Mini Blade, 10 Amp
3:5	114-3342	1	Fuse-Maxi, 60 Amp
5	117-2370	1	Harness-Ground
6	33115-020	1	Screw-HH
7	3255-2	1	Washer-Lock, EXT
8	115-1931	1	Harness-Wire, Fuel Pump Adapter



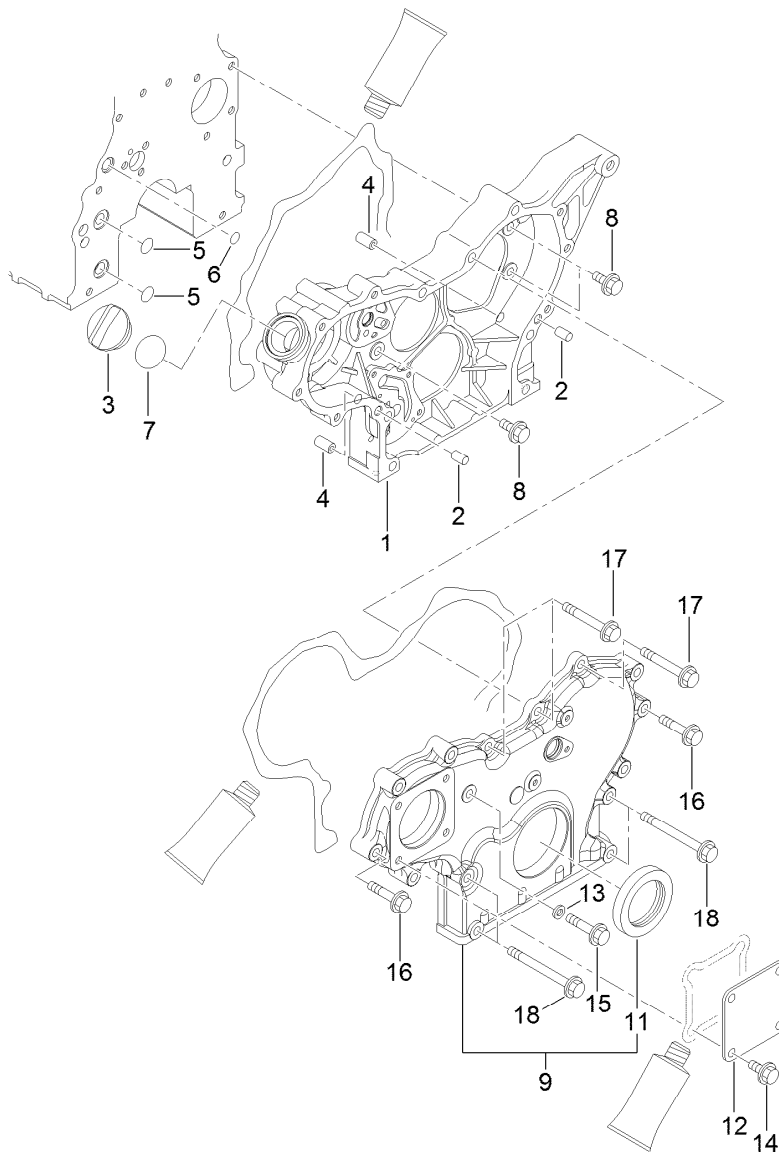
Engine Wire Harness Assembly

<i>Ref.</i>	<i>Part Number</i>	<i>Qty.</i>	<i>Description</i>
1	121-8852	1	Harness-Wire, Engine
1:12	100-4918	2	Diode
1:13	121-8891	1	Resistor (1.6K Ohm)
2	117-2372	1	Harness-Wire, Alternator
3	108-9470	1	Harness-Wire, Fusible Link
4	33003-00	1	Nut-HF
5	33004-00	1	Nut-HF



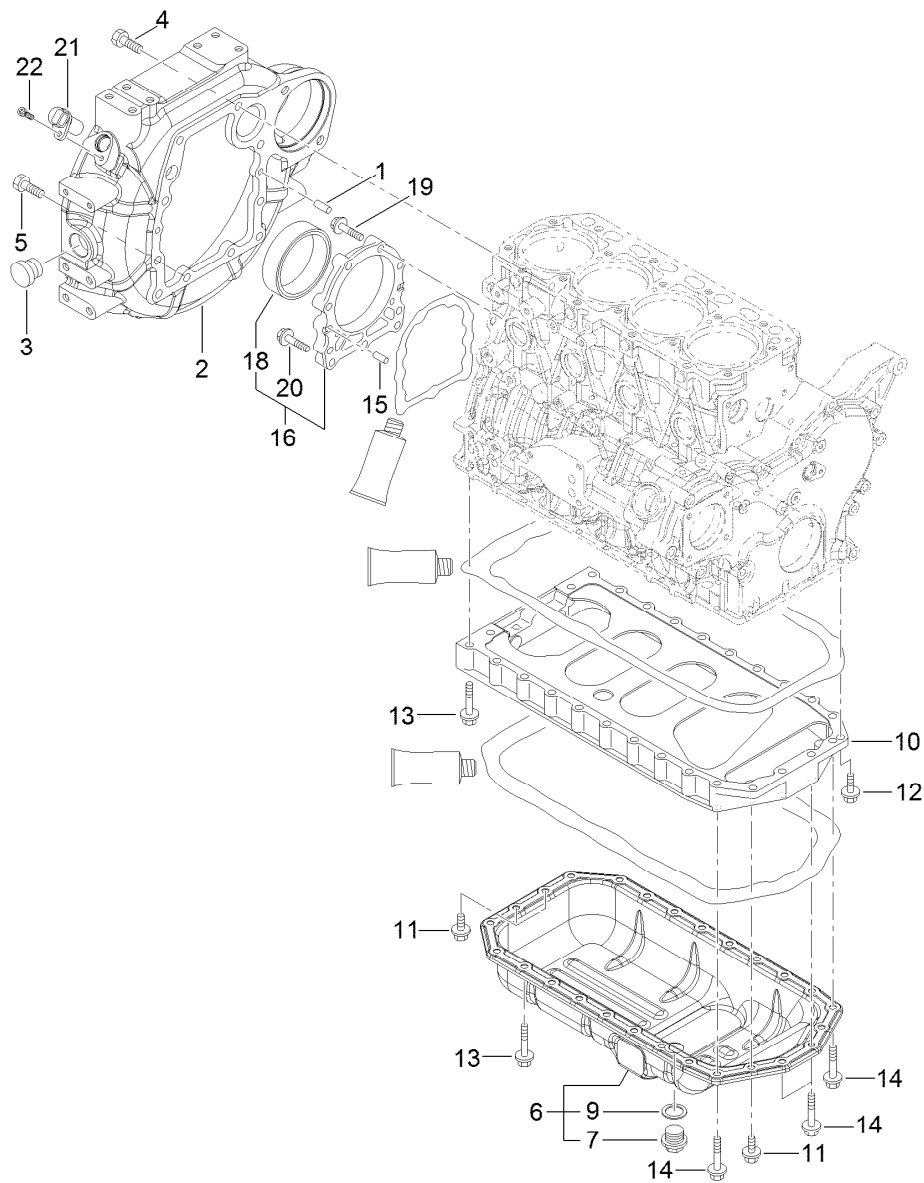
Cylinder Block Assembly

<i>Ref.</i>	<i>Part Number</i>	<i>Qty.</i>	<i>Description</i>	<i>Ref.</i>	<i>Part Number</i>	<i>Qty.</i>	<i>Description</i>
1	127-3127	1	Cylinder Block ASM	13	125-6973	1	Plug
4	125-6980	1	Plug	14	125-7237	1	Plug
5	125-7170	1	Plug	24	125-7010	2	Metal-Thrust
6	125-7007	10	Bolt	27	125-7006	18	Bolt
9	125-7108	1	Bushing	28	127-3126	1	Gasket-Head, Cylinder
10	125-7239	8	Plug	29	125-6981	5	Metal-Main
11	125-6969	1	Plug	32	125-7009	5	Metal-Main (0.25)
12	125-6973	2	Plug	35	125-7011	1	Metal-Thrust (0.25)



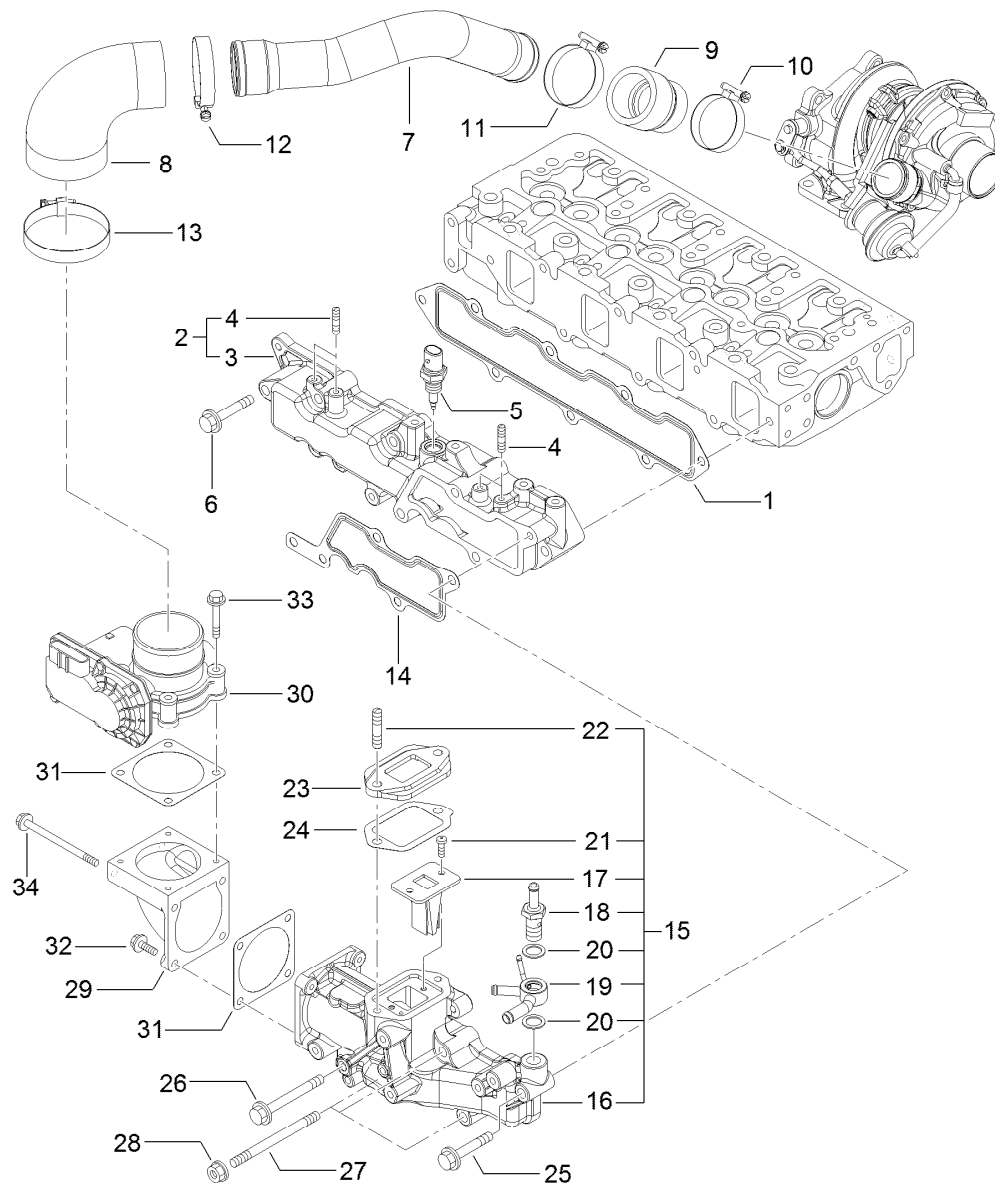
Gear Housing Assembly

<i>Ref.</i>	<i>Part Number</i>	<i>Qty.</i>	<i>Description</i>	<i>Ref.</i>	<i>Part Number</i>	<i>Qty.</i>	<i>Description</i>
1	127-3023	1	Case-Gear	11	125-6944	1	Seal-Oil
2	125-6995	2	Pin	12	125-6977	1	Cover
3	125-6972	1	Cover-Filler	13	125-7174	1	Washer-Seal
4	125-7107	2	Pipe	14	125-7214	4	Bolt
5	125-6909	2	O-Ring	15	125-7217	1	Bolt
6	127-2973	1	O-Ring	16	125-7218	7	Bolt
7	125-7197	1	O-Ring	17	125-7222	3	Bolt
8	125-7214	3	Bolt	18	125-7224	4	Bolt
9	127-3024	1	Gearcase Cover ASM				



Flywheel Housing and Oil Sump Assembly

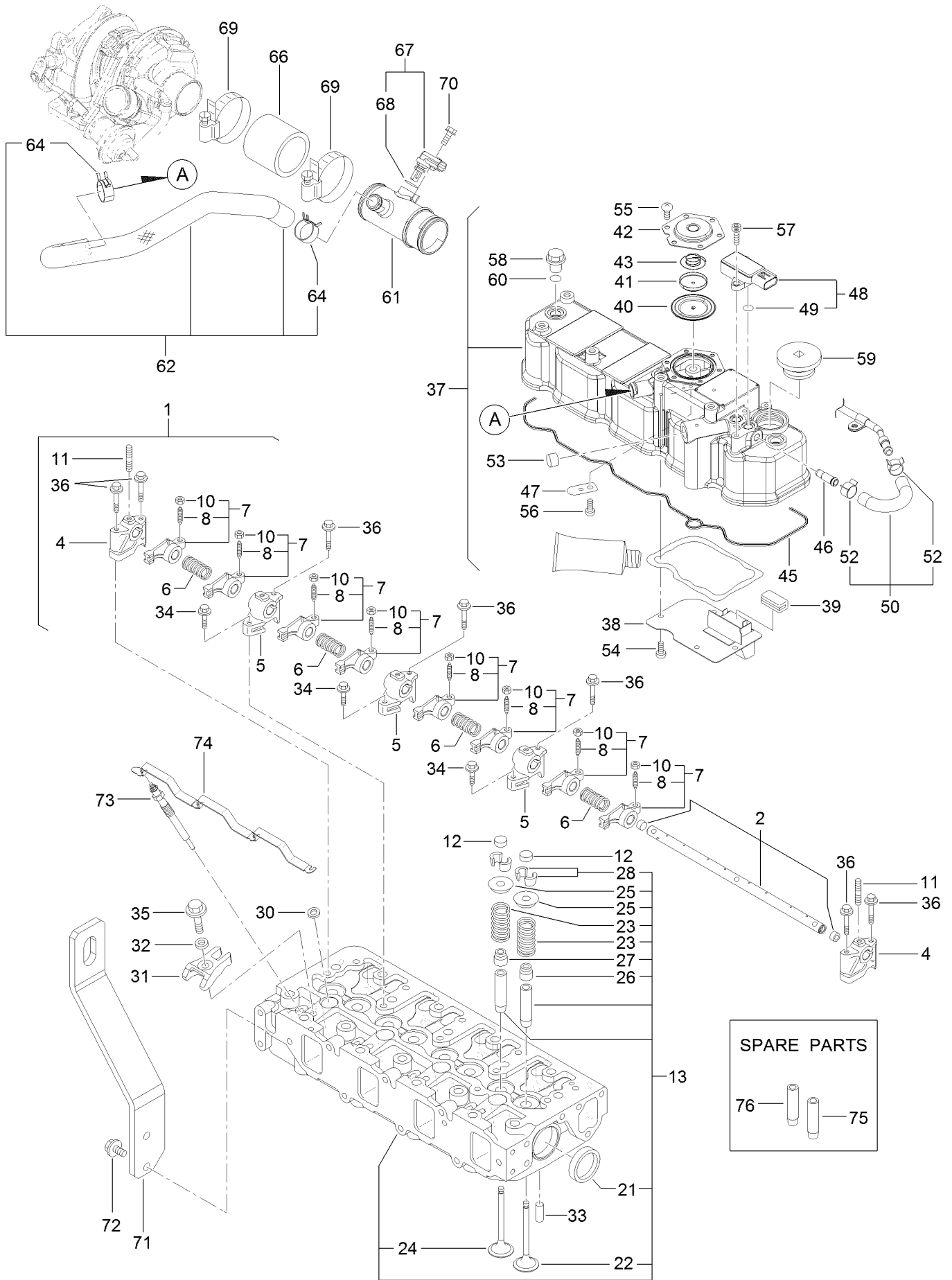
<i>Ref.</i>	<i>Part Number</i>	<i>Qty.</i>	<i>Description</i>	<i>Ref.</i>	<i>Part Number</i>	<i>Qty.</i>	<i>Description</i>
1	125-6995	2	Pin	12	125-7215	2	Bolt
2	127-3025	1	Housing-Flywheel	13	125-7219	20	Bolt
3	125-6910	1	Cap	14	125-7220	4	Bolt
4	125-7226	6	Bolt	15	125-6995	2	Pin
5	125-7227	4	Bolt	16	125-6996	1	Case ASM
6	125-7241	1	Oil Sump ASM	18	125-7106	1	Seal-Oil
7	125-6912	1	Plug-Drain	19	125-7045	6	Bolt
9	125-7177	1	Washer-Seal	20	125-7217	3	Bolt
10	125-7035	1	Spacer	21	127-3062	1	Sensor-Rev, Flywheel
11	125-7214	4	Bolt	22	127-3184	1	Bolt



Suction Manifold Assembly

Ref.	Part Number	Qty.	Description	Ref.	Part Number	Qty.	Description
1	127-3107	1	Gasket-Manifold, Intake	18	127-3080	1	Joint-Hose
2	127-3135	1	Intake Manifold ASM	19	127-3081	1	Joint-Hose
3	127-3134	1	Manifold-Intake	20	127-3166	2	Washer-Seal
4	127-3180	4	Stud	21	127-3168	2	Screw
5	127-3031	1	Sensor-Temp, Air	22	127-3181	2	Stud
6	125-7220	5	Bolt	23	127-3045	1	Spacer-Valve, E G R
7	127-3152	1	Duct-Suction	24	127-3046	1	Gasket-E G R
8	127-3096	1	Joint-Rubber	25	125-7220	1	Bolt
9	127-3153	1	Joint-Rubber	26	127-3178	1	Bolt
10	125-7189	1	Clamp-Hose	27	127-3182	3	Stud
11	127-3170	1	Clamp-Hose	28	125-7229	3	Nut
12	125-7190	1	Clamp-Hose	29	127-3035	1	Bend-Inlet
13	127-3171	1	Clamp-Hose	30	127-3036	1	Body-Throttle
14	127-3034	1	Gasket-Collector	31	127-3037	2	Gasket-Throttle
15	127-3093	1	Intake Collector ASM	32	125-7209	2	Bolt
16	127-3092	1	Collector-Intake	33	125-7211	4	Bolt
17	127-3139	1	Valve-Reed	34	127-3177	2	Bolt

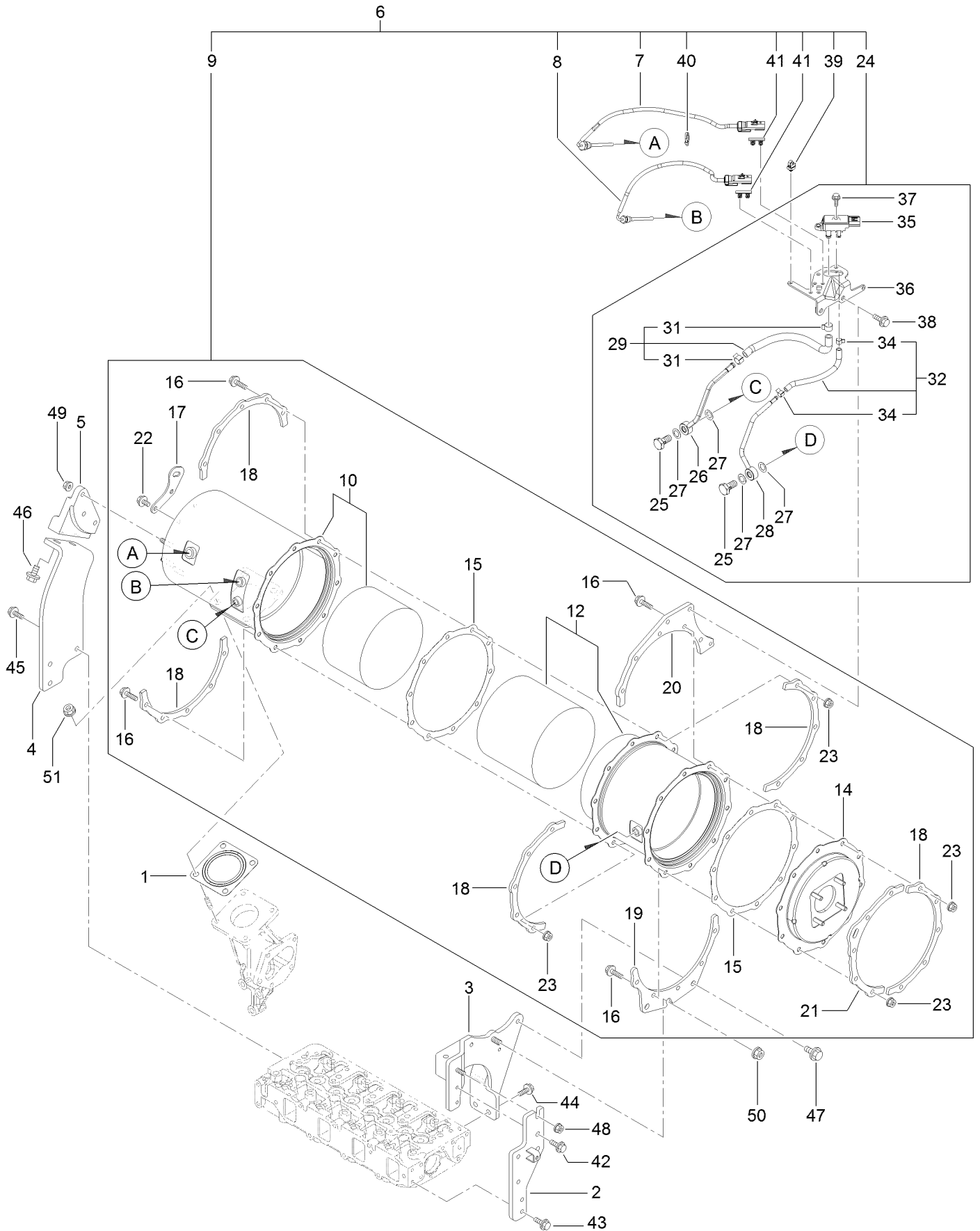
Cylinder Head and Cover Assembly



Cylinder Head and Cover Assembly (continued)

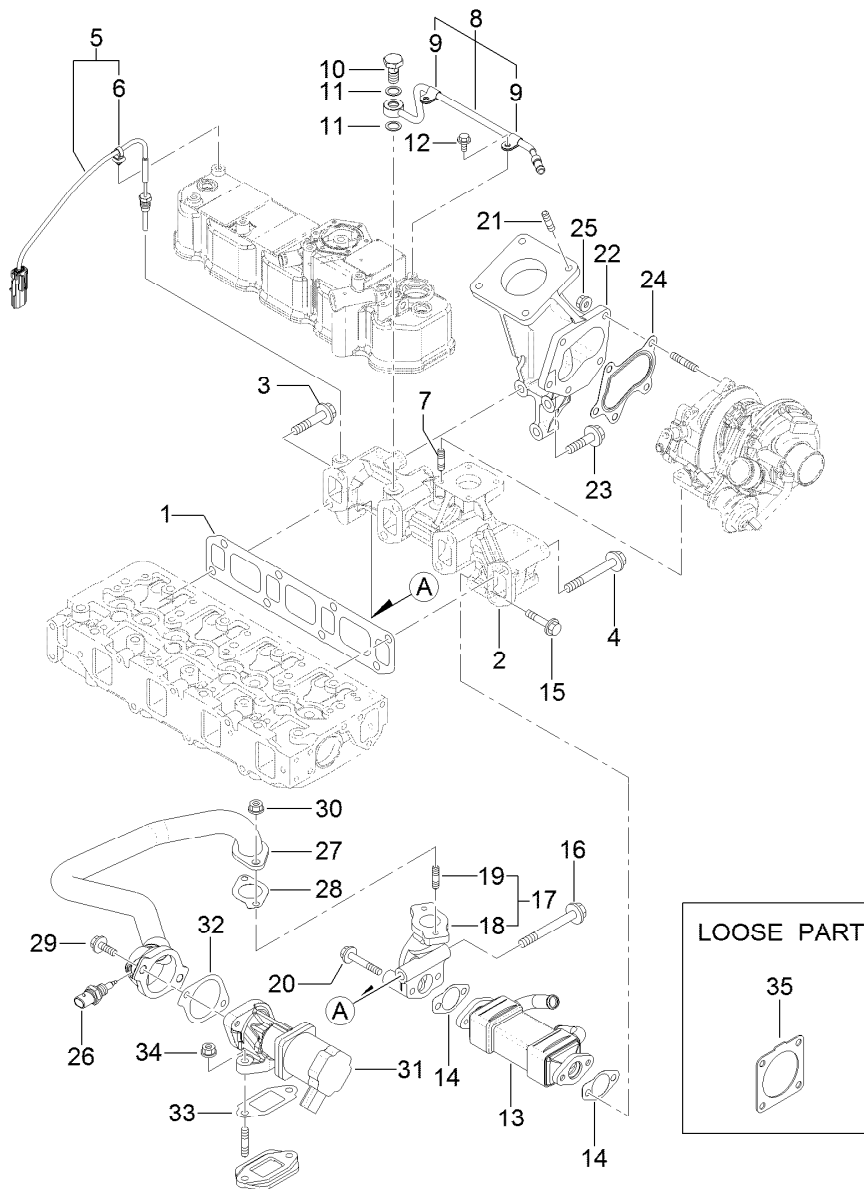
<i>Ref.</i>	<i>Part Number</i>	<i>Qty.</i>	<i>Description</i>	<i>Ref.</i>	<i>Part Number</i>	<i>Qty.</i>	<i>Description</i>
1	127-3005	1	Shaft ASM	42	125-6961	1	Plate-Breather
2	127-3006	1	Shaft	43	125-6962	1	Spring-Diaphragm
4	127-2974	2	Support	45	127-3106	1	Gasket-Cover
5	127-2975	3	Support	46	127-3026	1	Joint
6	127-2995	4	Spring	47	125-6994	1	Spring
7	127-2989	8	Arm-Rocker	48	127-3029	1	Sensor-Pressure
8	125-7013	8	Screw-Adjust, Valve	49	127-3032	2	O Ring-Sensor, Pressure
10	125-7014	8	Nut	50	127-3040	1	Hose ASM
11	127-3183	3	Stud	52	127-3041	2	Clip-Hose
12	127-2996	8	Cap-Valve	53	125-6913	1	Plug
13	127-3132	1	Cylinder Head ASM	54	125-7186	4	Screw
21	125-7240	2	Plug	55	125-7186	6	Screw
22	127-2990	4	Valve	56	125-7186	1	Screw
23	127-3012	8	Spring	57	127-3184	2	Bolt
24	127-2994	4	Valve	58	125-6974	3	Knob
25	127-3013	8	Retainer-Spring	59	127-2978	1	Plug
26	127-2986	4	Seal-Stem, Valve	60	93-0418	3	O-Ring
27	127-3027	4	Seal-Stem, Valve	61	127-3128	1	Joint-Breather
28	127-3186	8	Pin-Cotter	62	127-3129	1	Breather Hose ASM
30	127-3021	4	Gasket-Injector	64	125-7040	2	Clip-Hose
31	127-3028	4	Retainer-Injector	66	127-3133	1	Hose-Intake
32	127-2980	4	Washer-Injector	67	127-3030	1	Sensor-Temp, Air
33	125-7184	2	Pin-Spring	68	127-3033	1	O-Ring
34	125-7215	3	Bolt	69	125-7190	2	Clamp-Hose
35	125-7217	4	Bolt	70	125-7208	1	Bolt
36	125-7220	7	Bolt	71	127-3130	1	Lifter-Engine
37	127-3131	1	Cylinder Head Cover ASM	72	125-7214	2	Bolt
38	127-2988	1	Plate	73	127-2991	4	Plug-Glow
39	125-7012	1	Baffle	74	127-3123	1	Connector-Glow Plug
40	125-6959	1	Diaphragm	75	127-2979	4	Guide
41	125-6960	1	Plate	76	127-2997	4	Guide-Valve

Diesel Particulate Filter Assembly



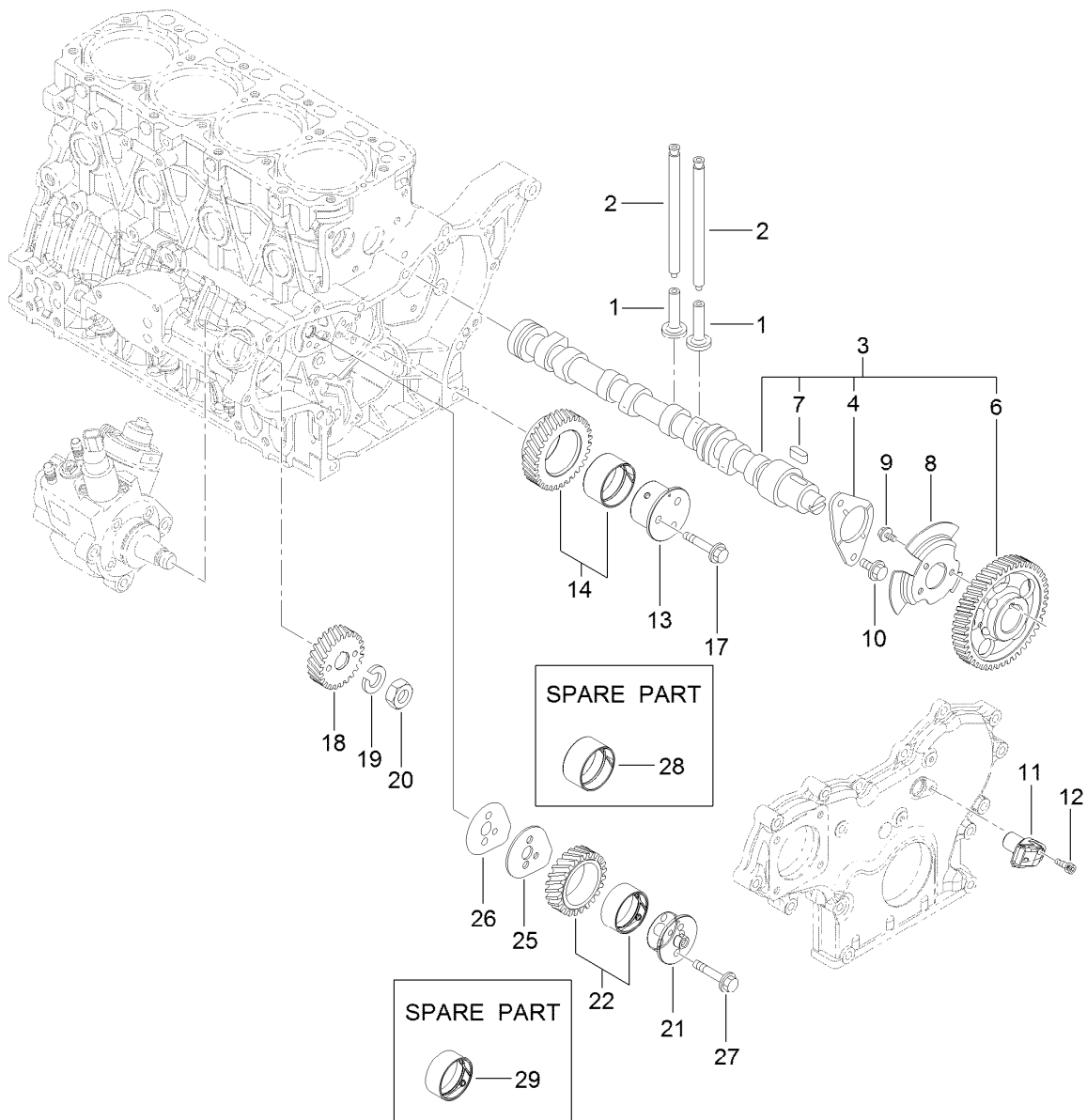
Diesel Particulate Filter Assembly (continued)

<i>Ref.</i>	<i>Part Number</i>	<i>Qty.</i>	<i>Description</i>	<i>Ref.</i>	<i>Part Number</i>	<i>Qty.</i>	<i>Description</i>
1	127-2987	1	Gasket-Silencer	27	127-3056	4	Gasket-Sensor
2	127-3095	1	Stay-D P F	28	127-3165	1	Exhaust Pressure Pipe ASM
3	127-3148	1	Stay- D P F	29	127-3114	1	Exhaust Hose ASM
4	127-3149	1	Stay-D P F	31	127-3057	2	Clip-Hose
5	127-3150	1	Stay-D P F	32	127-3059	1	Exhaust Pressure Hose ASM
6	127-3159	1	D P F Unit	34	127-3058	2	Clip-Hose
7	127-3111	1	Sensor-Temp, Exhaust	35	127-3060	1	Sensor-Pressure
8	127-3112	1	Sensor-Temp, Exhaust	36	127-3061	1	Bracket-Sensor, Pressure
9	127-3157	1	D P F ASM	37	125-7208	2	Bolt
10	127-3141	1	Case-Doc	38	125-7595	2	Bolt
12	127-3142	1	Case-Filter, Soot	39	127-3087	1	Band-Clip
14	127-3143	1	Flange-Outlet	40	127-3124	1	Band
15	127-3162	2	Gasket-D P F	41	127-3088	2	Clip-Connector
16	127-3055	20	Bolt	42	125-7595	2	Bolt
17	127-3144	1	Lifter-D P F	43	125-7595	2	Bolt
18	127-3145	5	Stiffener-D P F, A	44	125-7595	2	Bolt
19	127-3146	1	Stiffener-D P F, B	45	125-7595	3	Bolt
20	127-3158	1	Stiffener-D P F, D	46	127-3179	2	Bolt
21	127-3147	1	Stiffener-D P F, C	47	127-3179	2	Bolt
22	125-7213	2	Bolt	48	125-7229	1	Nut
23	125-7229	20	Nut	49	125-7229	3	Nut
24	127-3163	1	Pressure Sensor Unit	50	125-7230	1	Nut
25	127-3039	2	Bolt-Joint, Pipe	51	125-7230	4	Nut
26	127-3164	1	Exhaust Pressure Pipe ASM				



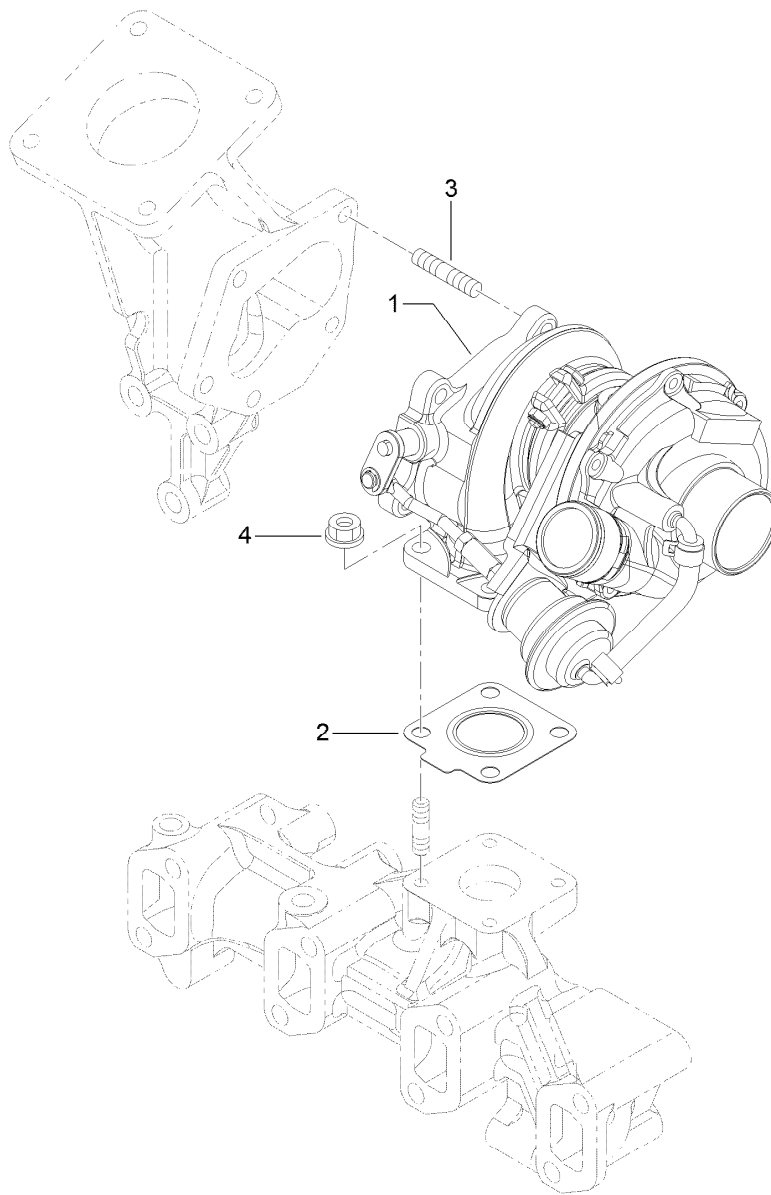
Exhaust Manifold Assembly

Ref.	Part Number	Qty.	Description	Ref.	Part Number	Qty.	Description
1	127-3108	1	Gasket-Manifold, Exhaust	19	125-7043	2	Stud
2	127-3136	1	Manifold-Exhaust	20	125-7220	2	Bolt
3	127-3094	1	Bolt	21	127-2984	4	Stud
4	127-3044	7	Bolt-M10	22	127-3137	1	Pipe-Exhaust
5	127-3140	1	Sensor-Temp, Exhaust	23	127-3138	3	Bolt-Flange
6	127-3087	1	Band-Clip	24	125-7071	1	Gasket
7	125-7043	4	Stud	25	125-7229	5	Nut
8	127-3038	1	Exhaust Pipe ASM	26	127-3047	1	Sensor-Gas Temp, E G R
9	127-3173	2	Clamp	27	127-3109	1	E G R Pipe ASM
10	127-3039	1	Bolt-Joint, Pipe	28	127-3016	1	Gasket
11	127-3174	2	Gasket	29	125-7215	2	Bolt
12	125-7206	2	Bolt	30	125-7229	2	Nut
13	127-3042	1	Cooler-E G R	31	127-3110	1	Valve-E G R
14	127-3043	2	Gasket-Cooler, E G R	32	127-3050	1	Gasket-Intake Valve, E G R
15	127-2976	2	Bolt	33	127-3051	1	Gasket-Out Valve, E G R
16	127-3022	1	Bolt-Flange	34	125-7229	2	Nut
17	127-3048	1	E G R Pipe ASM	35	127-3019	1	Gasket
18	127-3049	1	Pipe-Out, E G R				



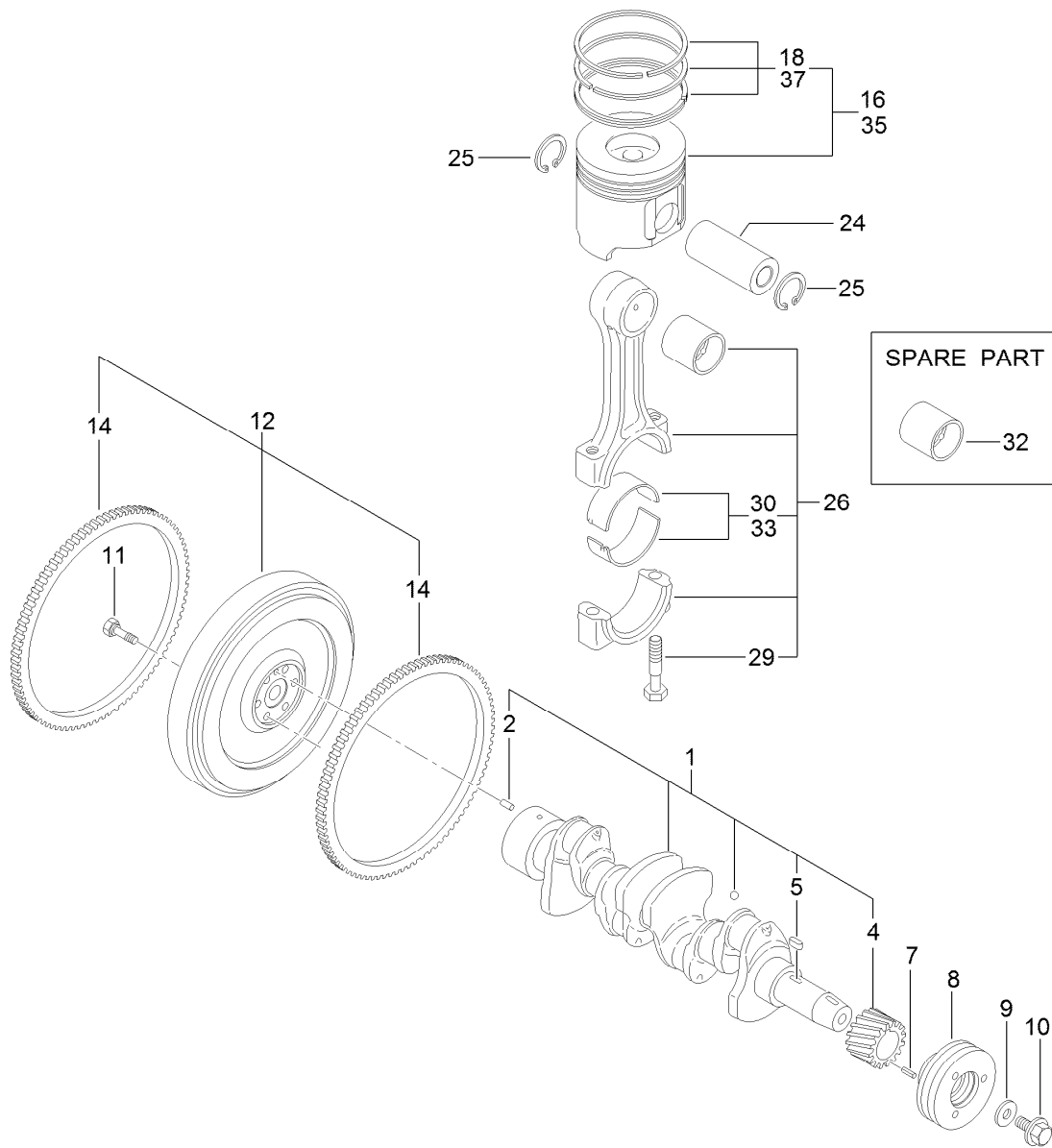
Camshaft and Driving Gear Assembly

<i>Ref.</i>	<i>Part Number</i>	<i>Qty.</i>	<i>Description</i>	<i>Ref.</i>	<i>Part Number</i>	<i>Qty.</i>	<i>Description</i>
1	125-7016	8	Tappet	14	127-3066	1	Idle Gear A ASM
2	125-7017	8	Rod-Push	17	125-7219	3	Bolt
3	127-3113	1	Camshaft ASM	18	127-3070	1	Gear-Pump, Supply
4	125-7008	1	Metal-Thrust	19	127-3167	1	Washer-Spring
6	127-3052	1	Gear-Camshaft	20	127-3185	1	Nut-Lock
7	125-7185	1	Key	21	127-3064	1	Shaft-Idle, Gear B
8	127-3053	1	Pulser-Camshaft	22	127-3067	1	Idle Gear B ASM
9	125-7205	3	Bolt	25	127-3068	1	Plate-Idle, Shaft
10	125-7213	2	Bolt	26	127-3069	1	Gasket-Idle, Shaft B
11	127-3054	1	Sensor-Rev, Gear	27	125-7218	2	Bolt
12	127-3184	1	Bolt	28	125-6927	1	Bushing
13	127-3063	1	Shaft-Idle, Gear A	29	127-3065	1	Bushing



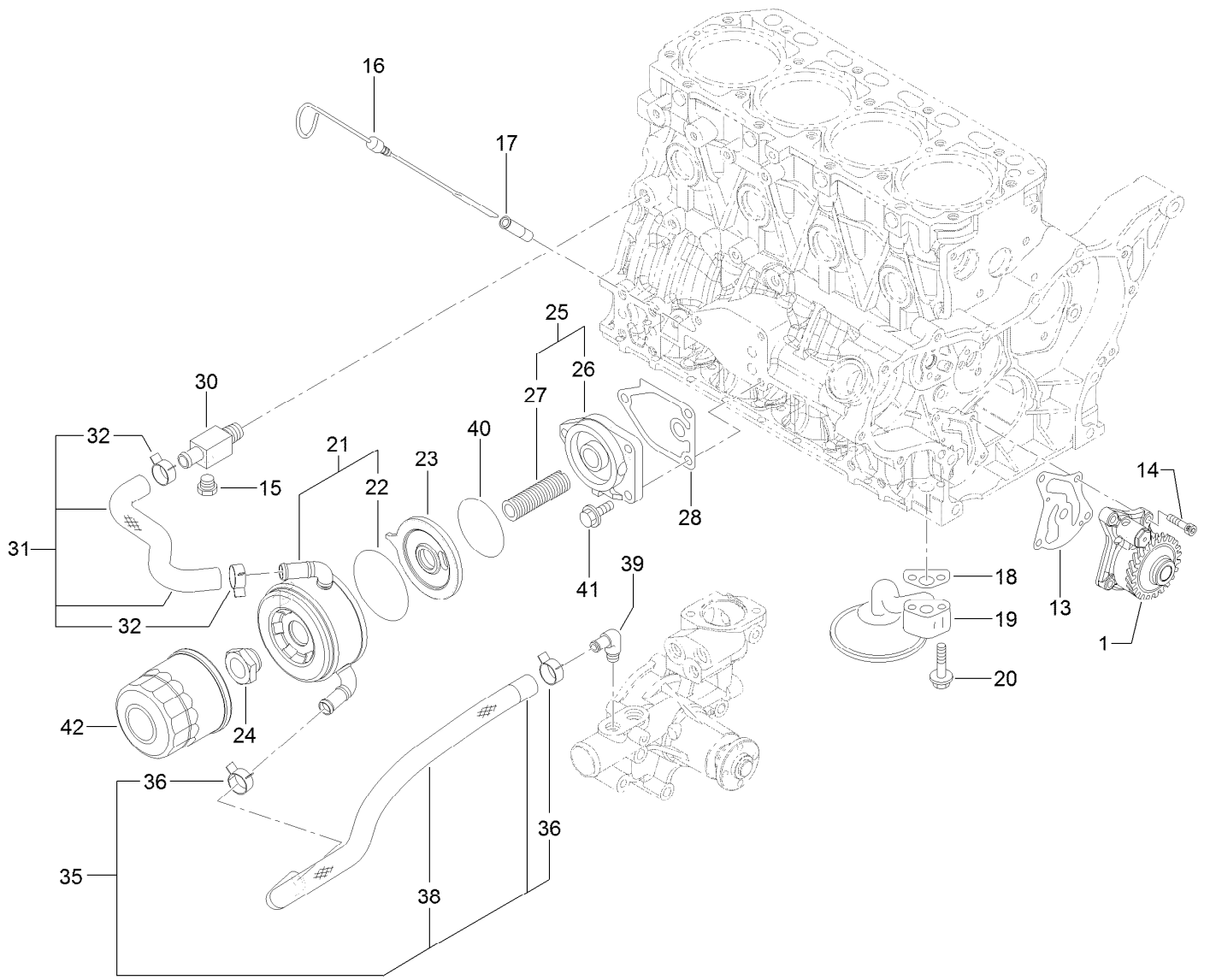
Turbine Assembly

<i>Ref.</i>	<i>Part Number</i>	<i>Qty.</i>	<i>Description</i>
1	127-3151	1	Turbine ASM
2	125-7070	1	Gasket
3	125-6906	5	Stud
4	125-7229	4	Nut



Crankshaft and Piston Assembly

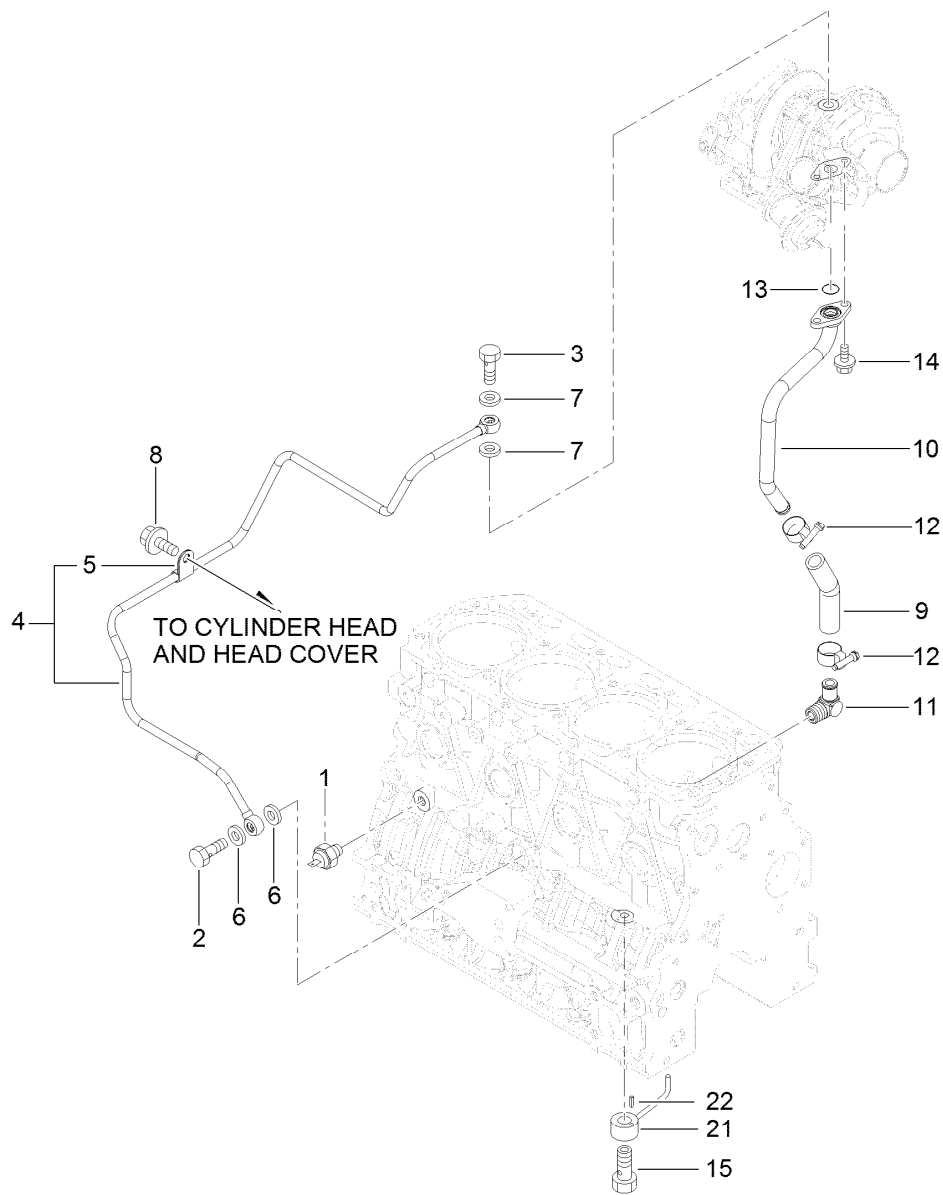
<i>Ref.</i>	<i>Part Number</i>	<i>Qty.</i>	<i>Description</i>	<i>Ref.</i>	<i>Part Number</i>	<i>Qty.</i>	<i>Description</i>
1	125-7091	1	Crankshaft ASM	16	127-3097	4	Piston ASM
2	125-6995	1	Pin	18	127-3098	4	Piston Ring ASM
4	125-6937	1	Gear	24	125-7030	4	Pin
5	125-7185	1	Key	25	125-7180	8	Ring
7	125-7182	1	Pin-Spring	26	125-7242	4	Connecting Rod ASM
8	125-6925	1	V-Pulley	29	125-6955	8	Bolt
9	125-7109	1	Washer	30	125-7018	4	Pin-Crank
10	125-6956	1	Bolt	32	125-6997	4	Pin-Piston
11	125-6951	6	Bolt	33	125-7019	4	Pin-Crank (.25)
12	127-3160	1	Flywheel ASM	35	127-3099	4	Piston ASM (0.25 O.S.)
14	125-6943	1	Gear	37	127-3100	4	Piston Ring ASM (0.25 O.S.)



Lubrication and Oil System Assembly

Ref.	Part Number	Qty.	Description
1	127-3101	1	Oil Lube Pump ASM
13	127-3004	1	Gasket
14	125-7232	4	Bolt
15	125-7171	1	Plug-Drain
16	125-6987	1	Dipstick
17	125-6954	1	Guide-Dipstick
18	125-7022	1	Gasket
19	125-7023	1	Pipe ASM
20	125-7217	2	Bolt
21	127-3014	1	Cooler ASM
22	127-2985	1	O-Ring
23	127-3015	1	Bracket-Cooler
24	125-7041	1	Nut-Cooler, Oil
25	127-3009	1	Bracket ASM

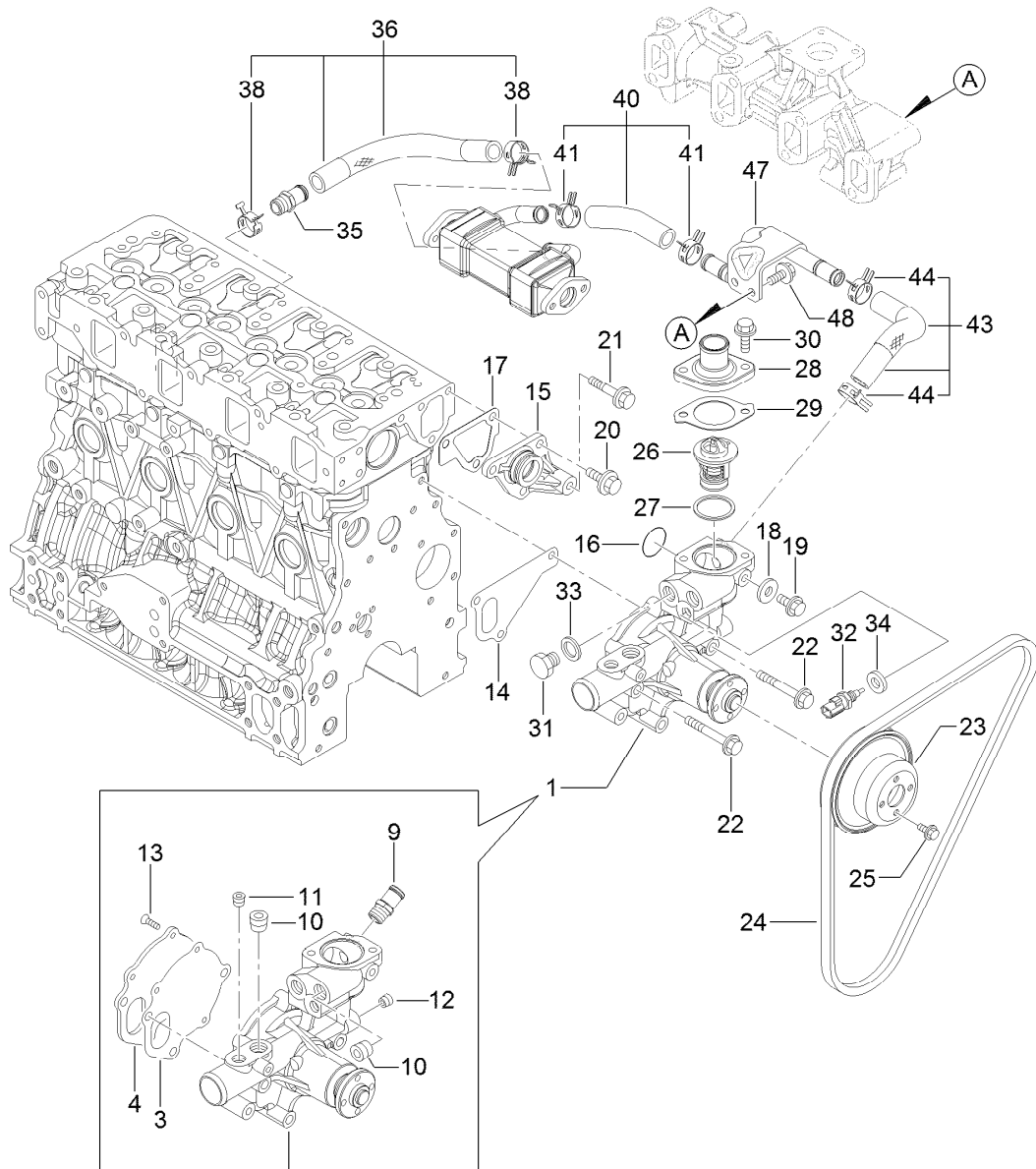
Ref.	Part Number	Qty.	Description
26	125-6930	1	Bracket
27	127-3010	1	Stud
28	125-7024	1	Gasket
30	125-6990	1	Joint
31	127-3102	1	Pipe-Cooling, Water
32	125-7162	2	Clip
35	127-3103	1	Hose-Cooling, Water
36	125-7162	2	Clip
38	127-3007	1	Tube
39	125-7001	1	Elbow
40	127-3176	1	O-Ring
41	125-7595	3	Bolt
42	125-7025	1	Filter-Engine



Lubrication Oil Line Assembly

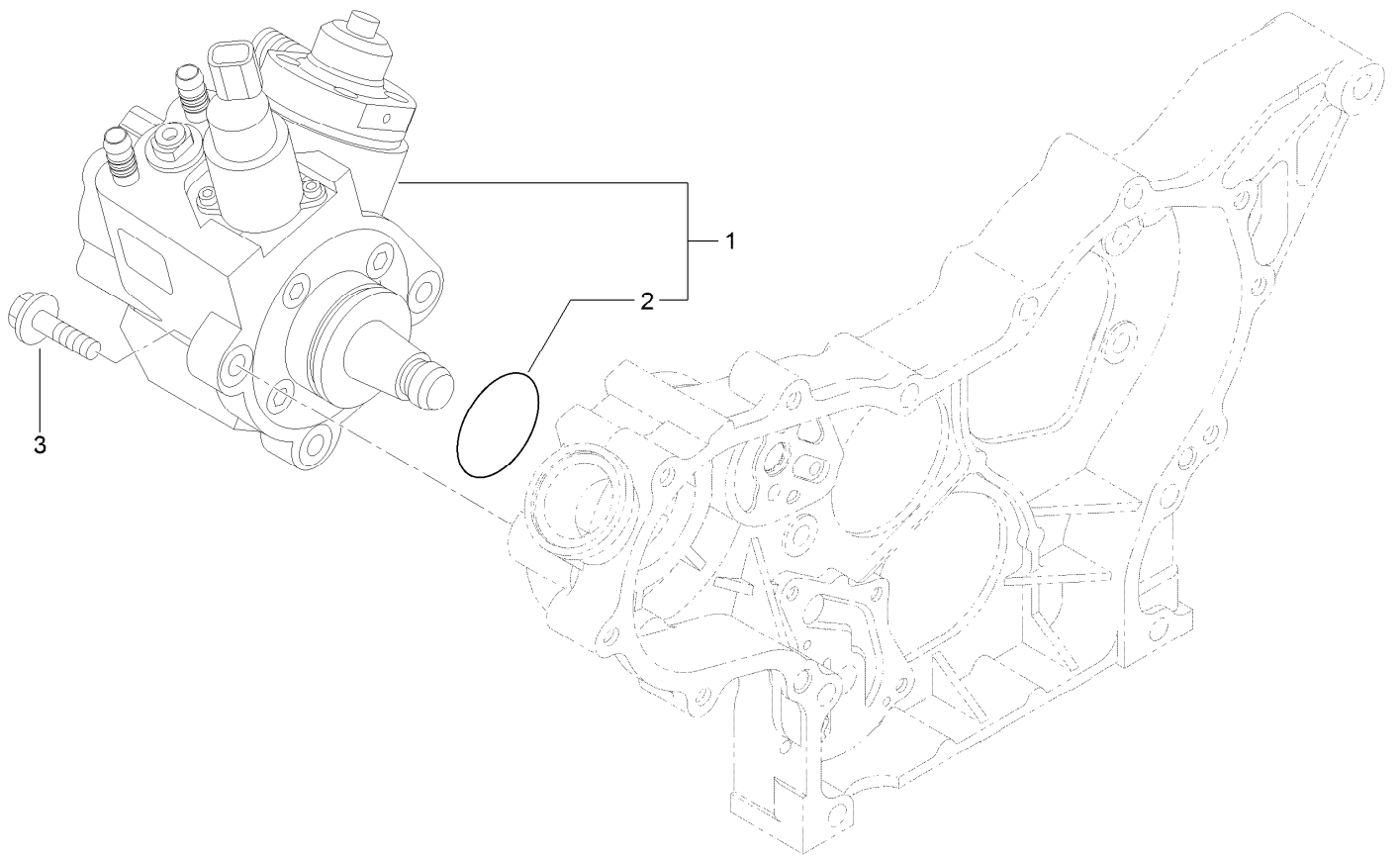
Ref.	Part Number	Qty.	Description
1	125-6918	1	Switch-Oil
2	125-6975	1	Bolt-Joint, Pipe
3	125-6952	1	Bolt-Joint, Pipe
4	127-3154	1	Lube Oil Pipe ASM
5	125-6976	1	Retainer
6	125-7175	2	Washer-Seal
7	125-7193	2	Gasket
8	93-0362	1	Bolt
9	127-2992	1	Joint

Ref.	Part Number	Qty.	Description
10	127-3155	1	Pipe-Lube, Oil
11	127-3003	1	Elbow
12	127-3169	2	Clamp-Hose
13	125-7198	1	O-Ring
14	125-7208	2	Bolt
15	125-7105	4	Check Valve ASM
21	125-7098	4	Nozzle
22	125-7182	4	Pin-Spring



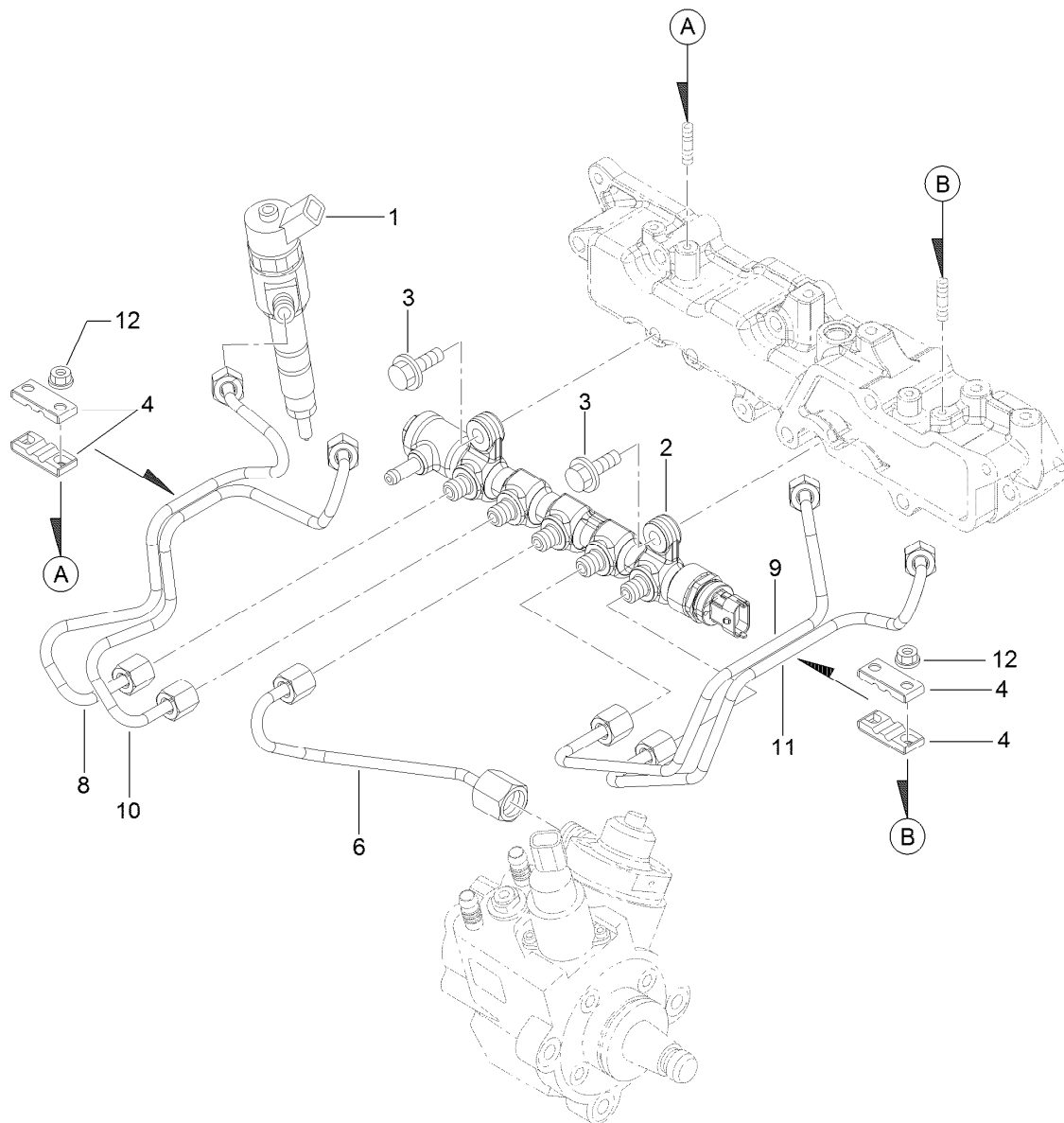
Cooling Water System Assembly

Ref.	Part Number	Qty.	Description	Ref.	Part Number	Qty.	Description
1	127-3071	1	Water Pump ASM	25	125-7206	4	Bolt
3	125-6998	1	Gasket	26	125-7029	1	Thermostat
4	125-6999	1	Plate	27	125-7026	1	Gasket
9	127-3017	1	Joint	28	125-7034	1	Cover
10	125-7123	2	Plug	29	125-7110	1	Gasket
11	127-3175	1	Plug	30	125-7594	2	Bolt
12	125-7195	1	Plug	31	125-6953	1	Plug
13	125-7234	3	Screw	32	125-7124	1	Sensor-Thermostat, CW
14	125-7047	1	Gasket	33	125-6979	1	Gasket
15	125-6986	1	Joint	34	125-7176	1	Washer-Seal
16	125-7048	1	O-Ring	35	127-3017	1	Joint
17	125-6978	1	Gasket	36	127-3072	1	Water In Pipe ASM
18	125-7192	1	Gasket	38	127-3020	2	Clip-Hose
19	93-0362	1	Bolt	40	127-3115	1	Water Out Pipe ASM
20	125-7214	3	Bolt	41	127-3020	2	Clip-Hose
21	125-7219	1	Bolt	43	127-3116	1	Water Out Pipe ASM
22	125-7222	3	Bolt	44	127-3020	2	Clip-Hose
23	125-7039	1	V-Pulley	47	127-3117	1	Pipe-Out, CW
24	127-2998	1	V-Belt	48	125-7214	2	Bolt



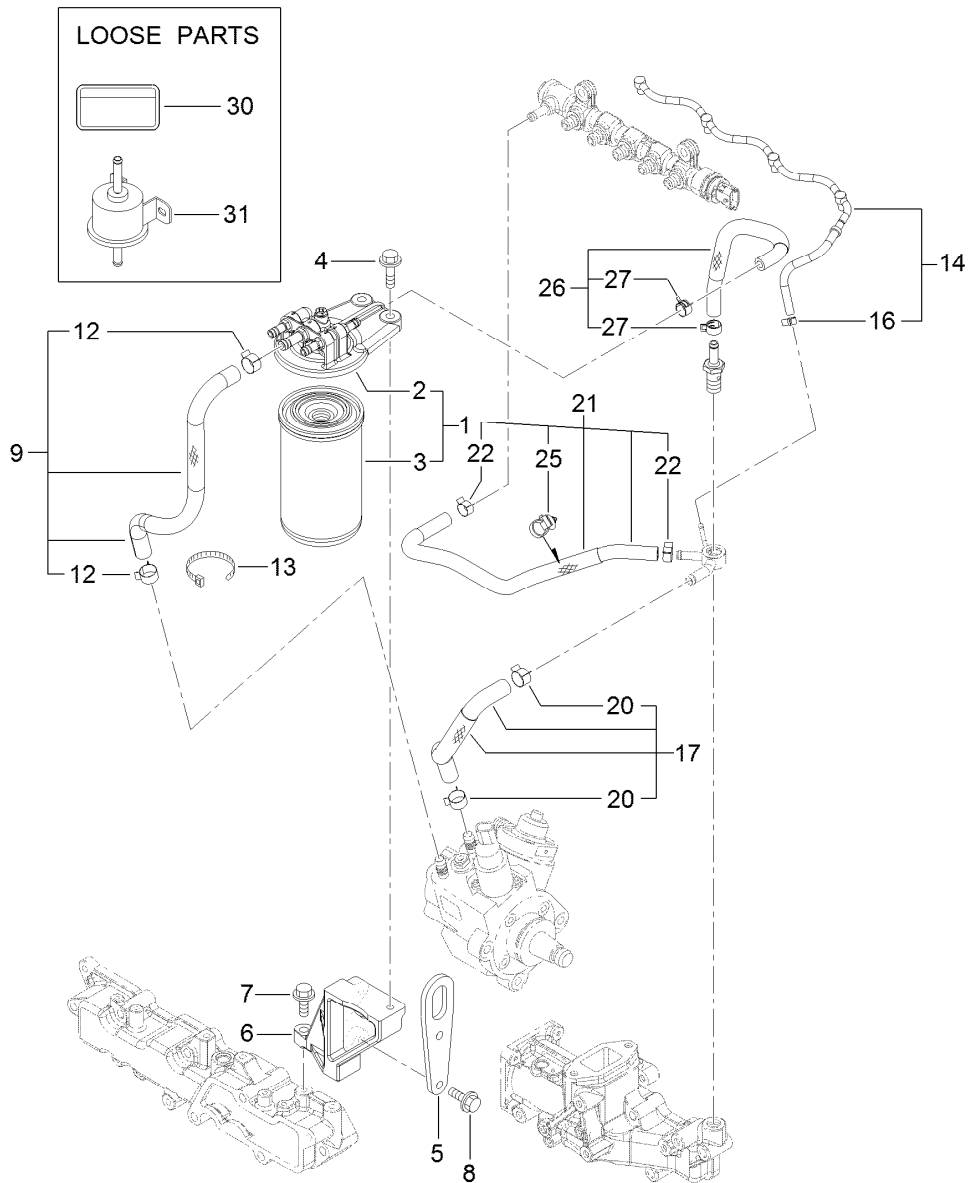
Fuel System Assembly

<i>Ref.</i>	<i>Part Number</i>	<i>Qty.</i>	<i>Description</i>
1	127-3073	1	Fuel Pump ASM
2	127-3074	1	O-Ring
3	125-7216	3	Bolt



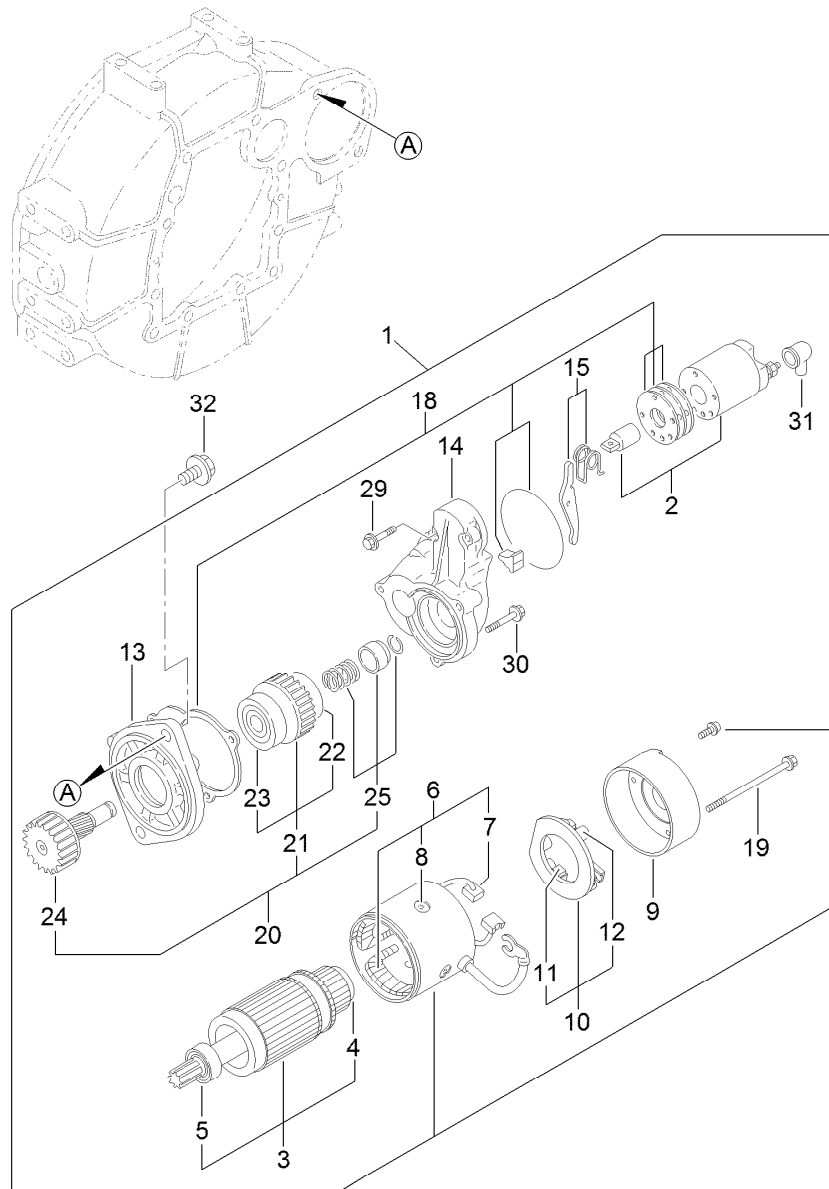
Fuel Injection Valve Assembly

<i>Ref.</i>	<i>Part Number</i>	<i>Qty.</i>	<i>Description</i>
1	127-3104	4	Injector ASM
2	127-3118	1	Rail ASM
3	125-7215	2	Bolt
4	127-2982	4	Retainer
6	127-3082	1	Rail In Pipe ASM
8	127-3121	1	Injection Pipe ASM
9	127-3083	1	Injection Pipe ASM
10	127-3122	1	Injection Pipe ASM
11	127-3084	1	Injection Pipe ASM
12	125-7231	4	Nut



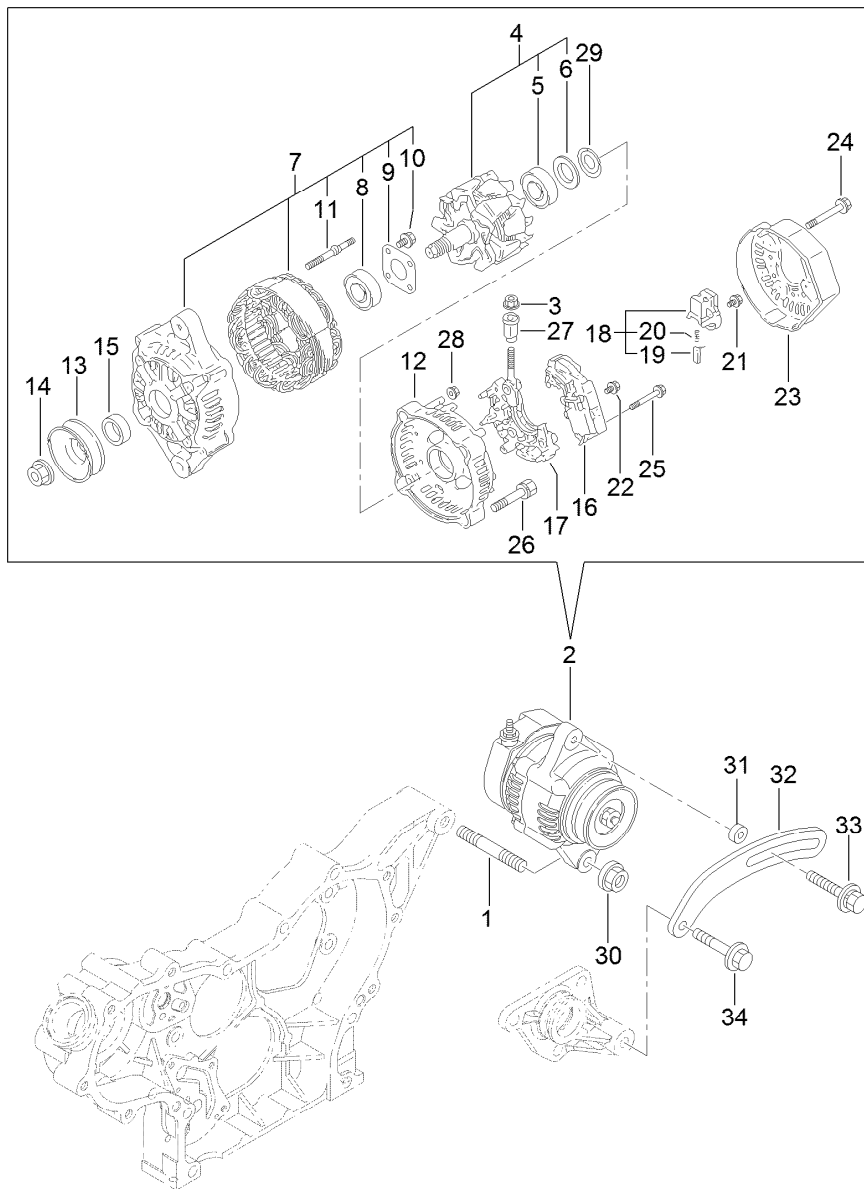
Fuel Line Assembly

<i>Ref.</i>	<i>Part Number</i>	<i>Qty.</i>	<i>Description</i>	<i>Ref.</i>	<i>Part Number</i>	<i>Qty.</i>	<i>Description</i>
1	127-3075	1	Fuel/Oil Filter ASM	14	127-3120	1	Fuel Pipe ASM
2	127-3076	1	Fuel/Oil Filter Bracket ASM	16	127-3172	1	Clamp-Hose
3	125-8752	1	Filter-Fuel/Oil	17	127-3078	1	Fuel Pipe ASM
4	125-7216	2	Bolt	20	125-7191	2	Clamp-Hose
5	127-3091	1	Lifter-Engine	21	127-3119	1	Fuel Pipe ASM
6	127-3105	1	Stay-Bracket, Filter	22	127-2950	2	Clip-Hose
7	125-7215	1	Bolt	25	127-3087	1	Band-Clip
8	125-7216	2	Bolt	26	127-3079	1	Fuel Pipe ASM
9	127-3077	1	Fuel Pipe ASM	27	127-2950	2	Clip-Hose
12	125-7191	2	Clamp-Hose	30	125-6900	1	Label-Caution, Fuel Oil
13	127-2981	1	Band	31	127-3008	1	Fuel Feed Pump ASM



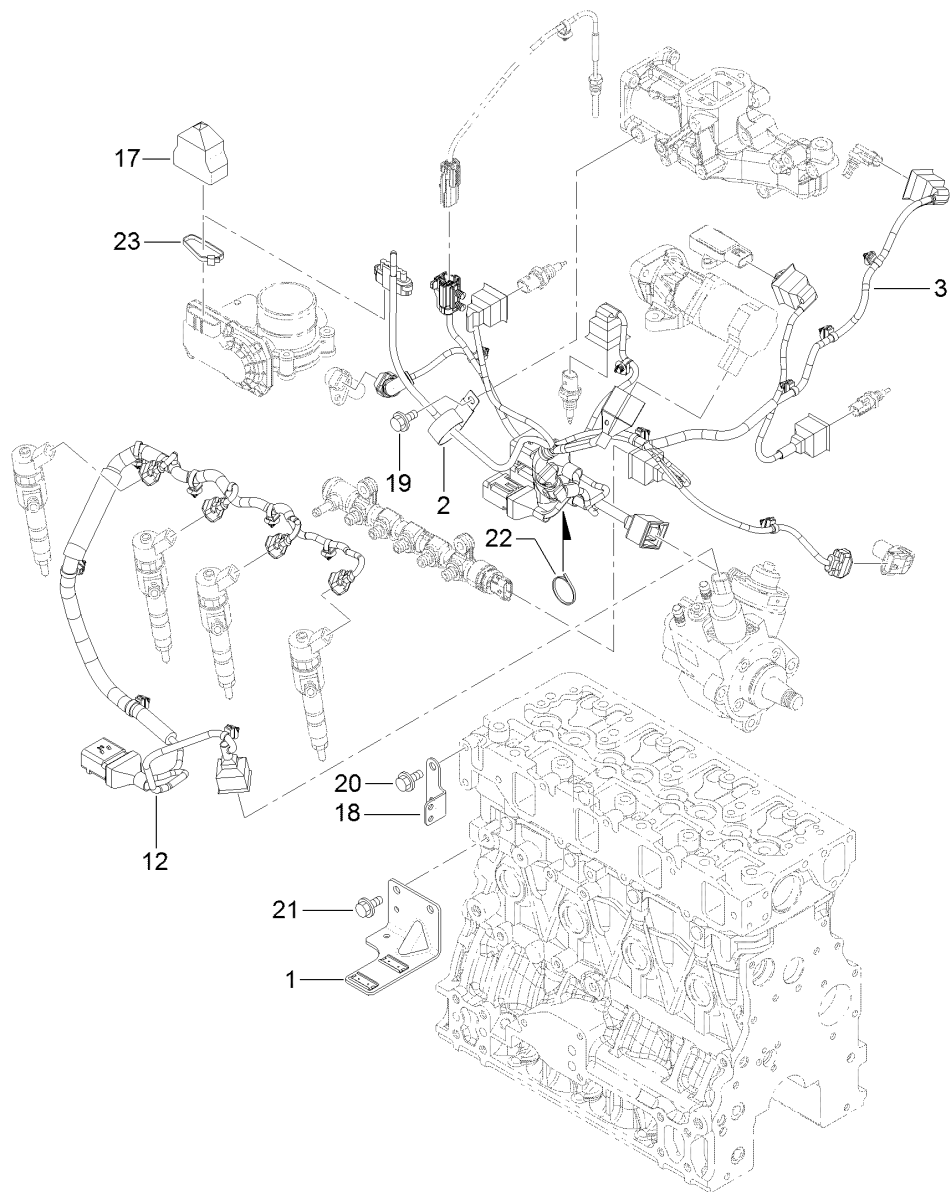
Starting Motor Assembly

Ref.	Part Number	Qty.	Description	Ref.	Part Number	Qty.	Description
1	125-7003	1	Starter	15	125-7165	1	Lever Set
2	125-7004	1	Switch ASM	18	125-7037	1	Dust Cover ASM
3	125-7112	1	Armature ASM	19	125-7117	2	Bolt-Through
4	125-7252	1	Bearing-Ball	20	125-7166	1	Pinion ASM
5	125-7249	1	Bearing, Ball	21	125-7250	1	Clutch ASM
6	125-7113	1	Field Coil ASM	22	125-7251	1	Bearing-Ball
7	125-7114	2	Brush	23	125-7253	1	Bearing-Ball
8	125-7163	4	Screw	24	125-7167	1	Shaft
9	125-7115	1	Cover	25	125-7168	1	Stopper Set
10	125-7116	1	Brush Holder ASM	29	125-7210	2	Bolt
11	125-7114	2	Brush	30	125-7211	3	Bolt
12	125-7036	4	Spring	31	125-7169	1	Cover
13	125-7164	1	Case-Gear	32	125-7225	2	Bolt
14	125-7005	1	Housing				



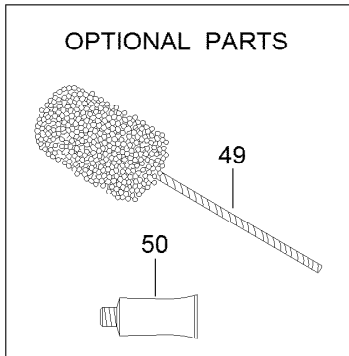
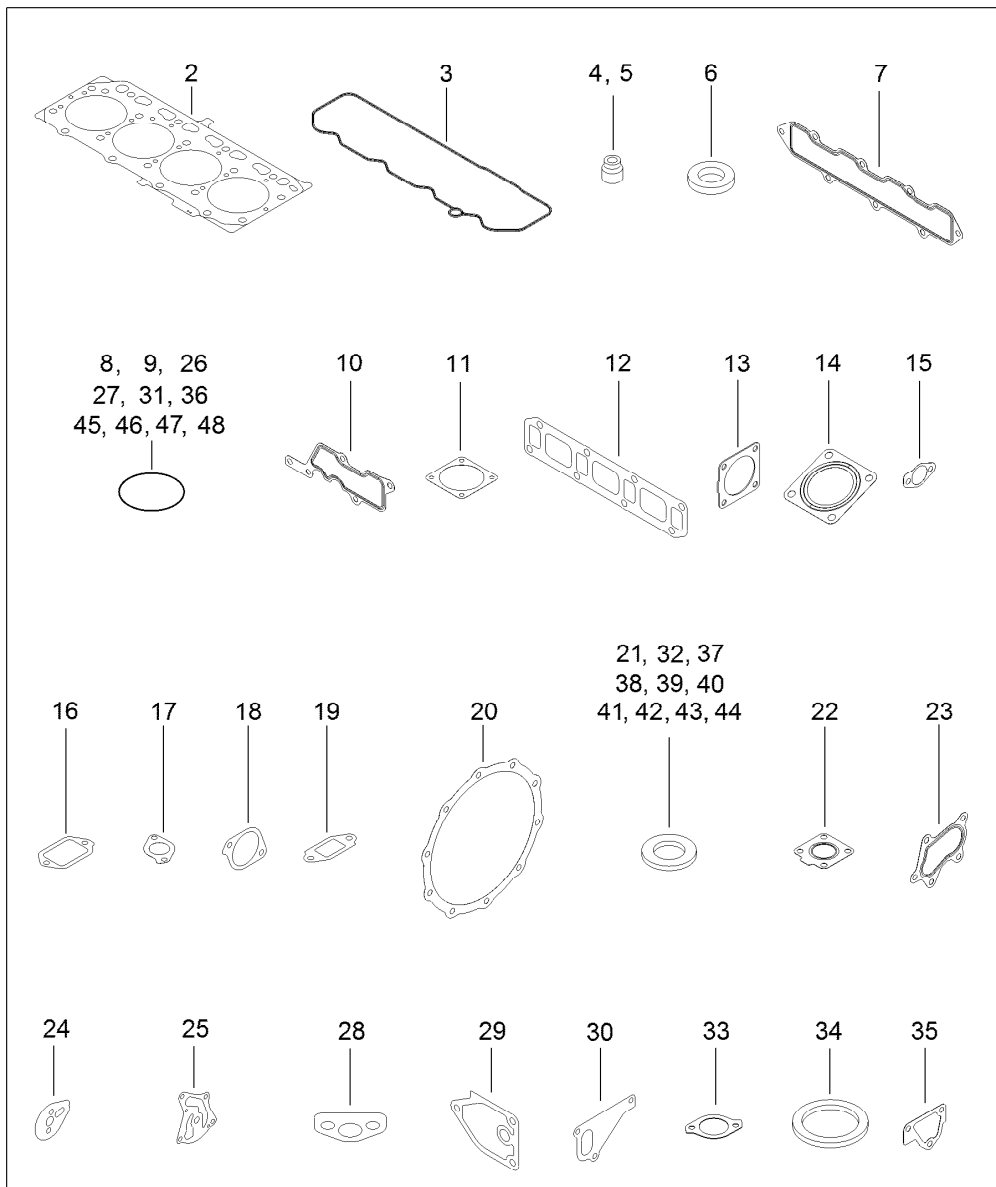
Generator Assembly

Ref.	Part Number	Qty.	Description	Ref.	Part Number	Qty.	Description
1	127-3011	1	Stud	18	127-2993	1	Holder
2	127-3001	1	Generator	19	127-2956	2	Brush ASM
3	127-3190	1	Nut	20	127-2964	2	Spring
4	127-2951	1	Rotor ASM	21	127-2965	6	Screw
5	127-2983	1	Bearing-Ball	22	127-2966	1	Screw
6	127-2962	1	Cover	23	127-2999	1	Cover
7	127-2952	1	Frame ASM	24	127-2967	3	Bolt
8	127-2958	1	Bearing-Ball	25	127-2968	2	Screw
9	127-2959	1	Plate-Retainer	26	127-2969	2	Bolt
10	127-2960	4	Screw	27	127-2970	1	Bushing-Insulation
11	127-2961	2	Stud	28	127-2971	2	Nut
12	127-2953	1	Frame ASM	29	127-2972	1	Washer
13	127-2954	1	Pulley	30	125-7230	1	Nut
14	127-2955	1	Nut	31	125-6947	1	Spacer
15	127-2957	1	Collar	32	127-2977	1	Adjuster
16	127-3002	1	Regulator ASM	33	125-7134	1	Bolt
17	127-2963	1	Holder	34	125-7219	1	Bolt



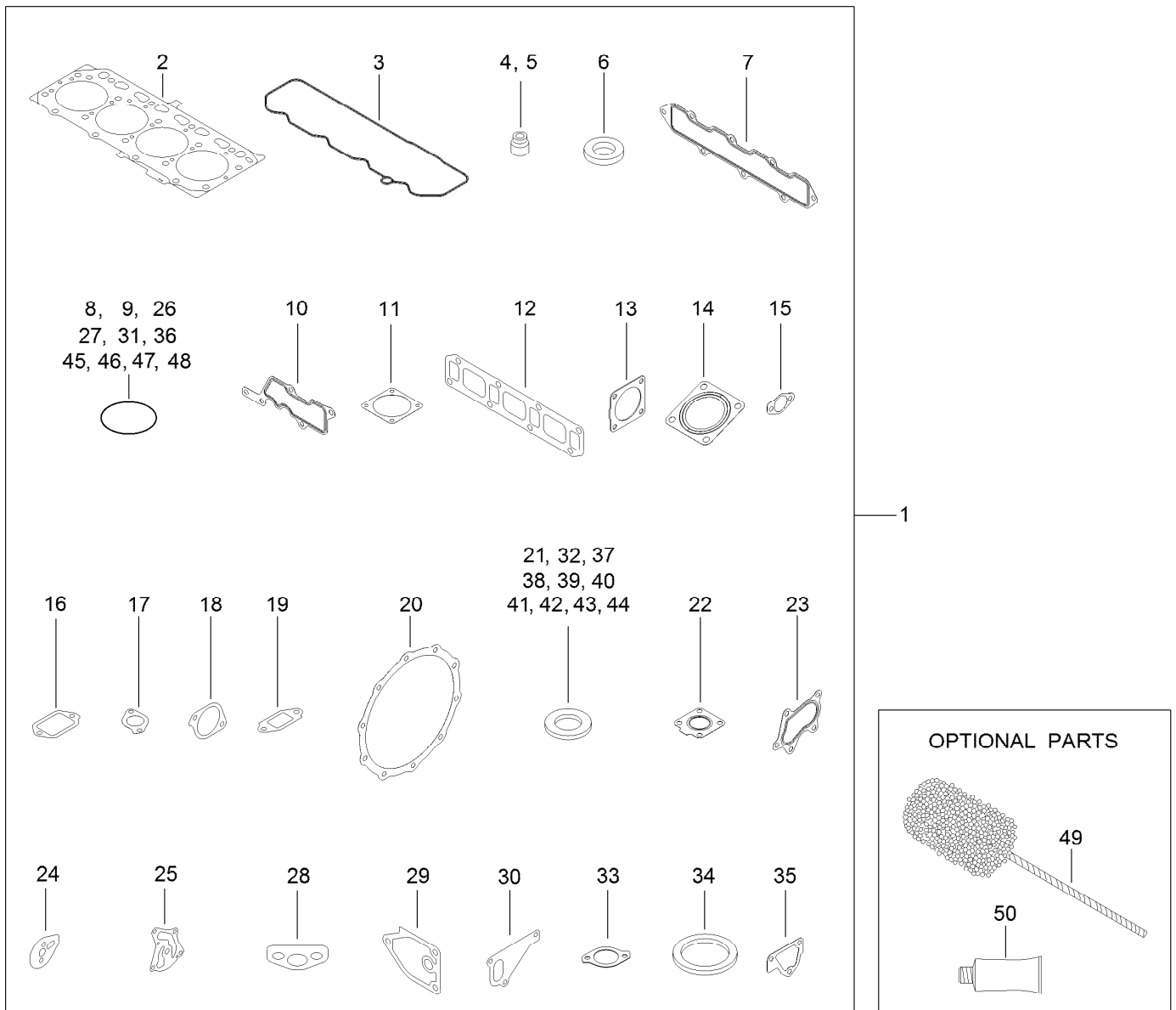
Electric Parts Assembly

<i>Ref.</i>	<i>Part Number</i>	<i>Qty.</i>	<i>Description</i>
1	127-3086	1	Bracket-Connector
2	127-3018	1	Clip
3	127-3156	1	Harness B-E C O, Engine
12	127-3125	1	Harness C
17	127-3089	1	Boot-Type, Cap
18	127-3090	1	Bracket-Harness
19	93-0362	1	Bolt
20	93-0362	2	Bolt
21	93-0362	2	Bolt
22	127-3187	1	Band
23	127-3188	1	Band



Gasket Set

Ref.	Part Number	Qty.	Description	Ref.	Part Number	Qty.	Description
1	127-3189	1	Gasket Kit	22	125-7070	1	Gasket
2	127-3126	1	Gasket-Head, Cylinder	23	125-7071	1	Gasket
3	127-3106	1	Gasket-Cover	24	127-3069	1	Gasket-Idle, Shaft B
4	127-2986	4	Seal-Stem, Valve	25	127-3004	1	Gasket
5	127-3027	4	Seal-Stem, Valve	26	125-6909	2	O-Ring
6	127-3021	4	Gasket-Injector	27	127-2973	1	O-Ring
7	127-3107	1	Gasket-Manifold, Intake	28	125-7022	1	Gasket
8	127-3032	2	O Ring-Sensor, Pressure	29	125-7024	1	Gasket
9	127-3033	1	O-Ring	30	125-7047	1	Gasket
10	127-3034	1	Gasket-Collector	31	125-7048	1	O-Ring
11	127-3037	2	Gasket-Throttle	32	125-6979	1	Gasket
12	127-3108	1	Gasket-Manifold, Exhaust	33	125-7110	1	Gasket
13	127-3019	1	Gasket	34	125-7026	1	Gasket
14	127-2987	1	Gasket-Silencer	35	125-6978	1	Gasket
15	127-3043	2	Gasket-Cooler, E G R	36	127-3074	1	O-Ring
16	127-3046	1	Gasket-E G R	37	125-7174	1	Washer-Seal
17	127-3016	1	Gasket	38	125-7175	2	Washer-Seal
18	127-3050	1	Gasket-Intake Valve, E G R	39	125-7176	1	Washer-Seal
19	127-3051	1	Gasket-Out Valve, E G R	40	127-3166	2	Washer-Seal
20	127-3162	2	Gasket-D P F	41	125-7177	1	Washer-Seal
21	127-3056	4	Gasket-Sensor	42	125-7192	1	Gasket



Gasket Set (continued)

<i>Ref.</i>	<i>Part Number</i>	<i>Qty.</i>	<i>Description</i>	<i>Ref.</i>	<i>Part Number</i>	<i>Qty.</i>	<i>Description</i>
43	125-7193	2	Gasket	47	125-7198	1	O-Ring
44	127-3174	2	Gasket	48	127-3176	1	O-Ring
45	93-0418	3	O-Ring	49	127-3000	1	Hone
46	125-7197	1	O-Ring	50	125-7248	1	Gasket-Liquid

Attachments and Accessories

For 30881 Groundsmaster 4500-D Traction Unit

Product Name	Model/Part
Blade-High Lift	104-5183
Blade-Angle Sail	105-9810-03
Blade-Atomic	107-0235-03
27in Blade Service Pack	108-1463
Blade-Combo.....	108-9026-03
Operator Fan Kit - US Sales Only, 3in ROPS Post	110-8804
Sectional Roller Assembly	117-5121
Windscreen Kit	117-9440
Extension Kit for 2-Post ROPS	119-0020
Universal Sunshade	30349
400 Hour MVP Kit	30408
CE Light Kit.....	30491
27in Rotary Cutting Unit.....	30834
Leaf Mulching Kit	30836
Cab Kit.....	30860
Flow Divider Kit.....	30876
Cab A/C Kit (Yanmar)	30877

Notes:

Notes:



Count on it.