



Count on it.

Parts Catalog

Commercial Walk-Behind Mower
Fixed Deck, T-Bar, Gear Drive with 48in
TURBO FORCE® Cutting Unit

Model No. 39678—Serial No. 405457997 and Up



Ordering Replacement Parts

To order replacement parts, please supply the part number, the quantity, and the description of each part desired.

Understanding Reference Numbers

Each identified part in an illustration has a reference number. The reference number for a part also appears in the parts list, along with other information about the part.

This catalog uses two special reference number formats, one to indicate parts in a service assembly and another to indicate the quantity of a given part in an illustration.

Service Assembly Reference Numbers

Parts in service assemblies have reference numbers in the form a:b. The a represents the reference number of the entire service assembly and the b represents a sequential number unique to each part within the service assembly.

For example, a wheel assembly might be identified by reference number 6, the tire by 6:1, the valve by 6:2, and the wheel by 6:3. When you order the assembly identified by reference number 6, you receive all parts identified by reference numbers 6:1, 6:2, and 6:3. However, you may also order any part individually. Reference numbers of this type appear in illustration and in parts lists.

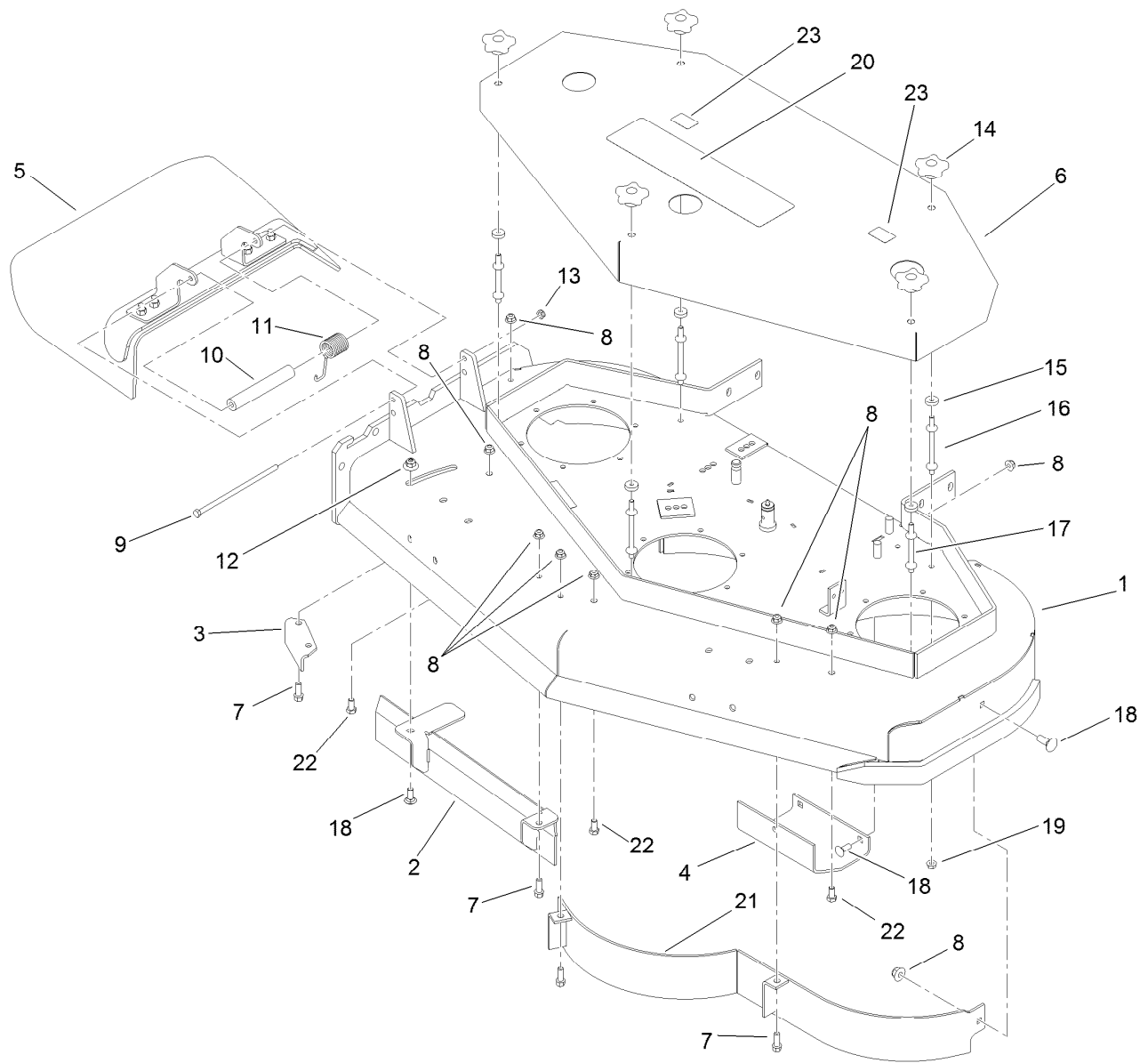
Reference Numbers Indicating Quantity

In an illustration, if a reference number indicates more than one part, the reference number has the form nX y. The n represents the quantity of the part, the X is the multiplication symbol, and the y represents the reference number.

For example, in an illustration, the reference number 2X 37 means that two of the parts identified by reference number 37 are indicated.

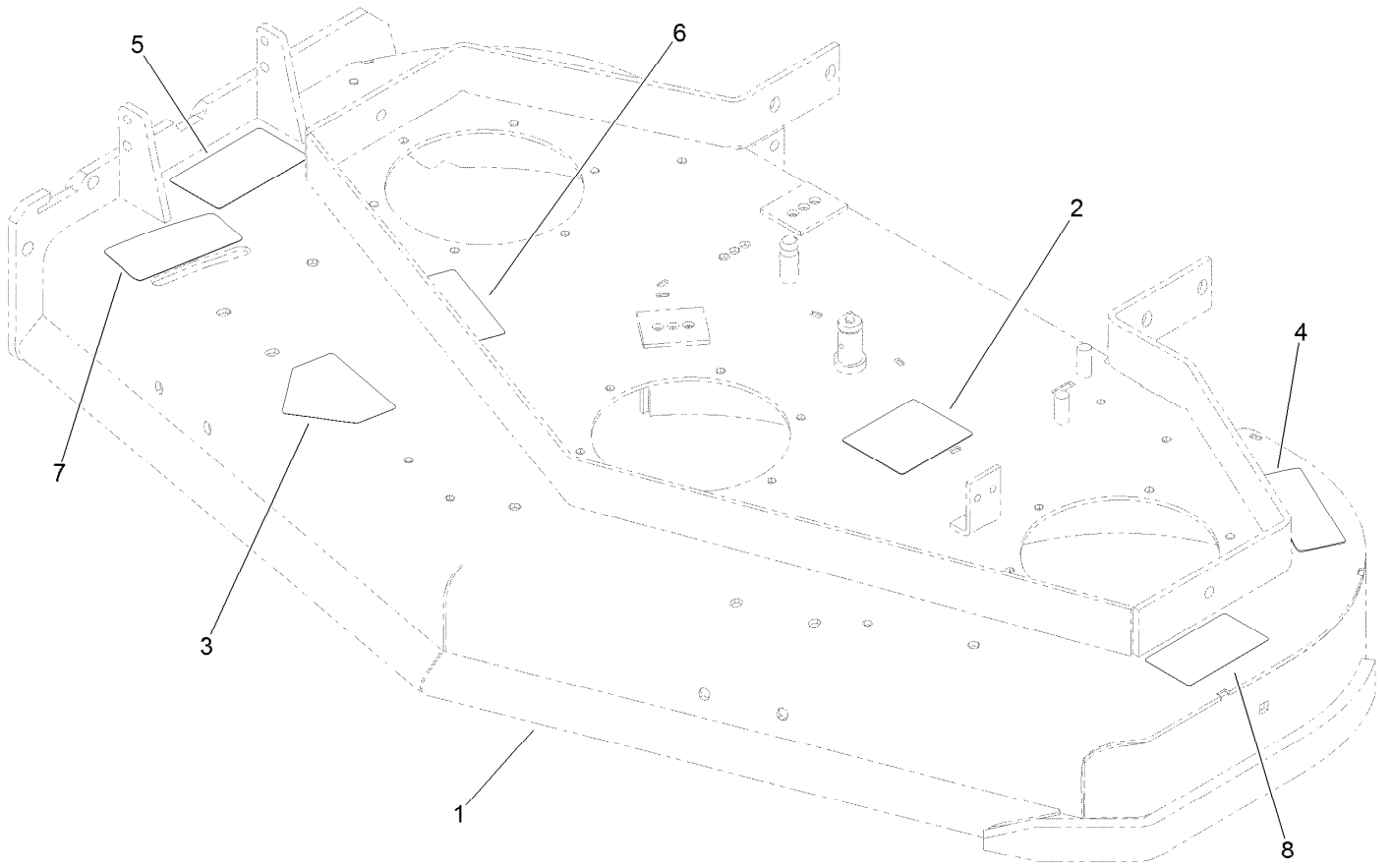
Contents

Deck Assembly	4
Deck Decal Assembly No. 110-4909	5
Deflector Assembly No. 110-0758	6
Sheave, Spindle and Blade Assembly	7
Idler Assembly	8
Caster Assembly	9
Engine and Exhaust Assembly	10
Fuel System Assembly	11
Frame and Transmission Assembly	12
Handle and Control Assembly	13
Drive Wheel and Brake Assembly	14
Wire Harness Assembly	16
Attachments and Accessories	17



Deck Assembly

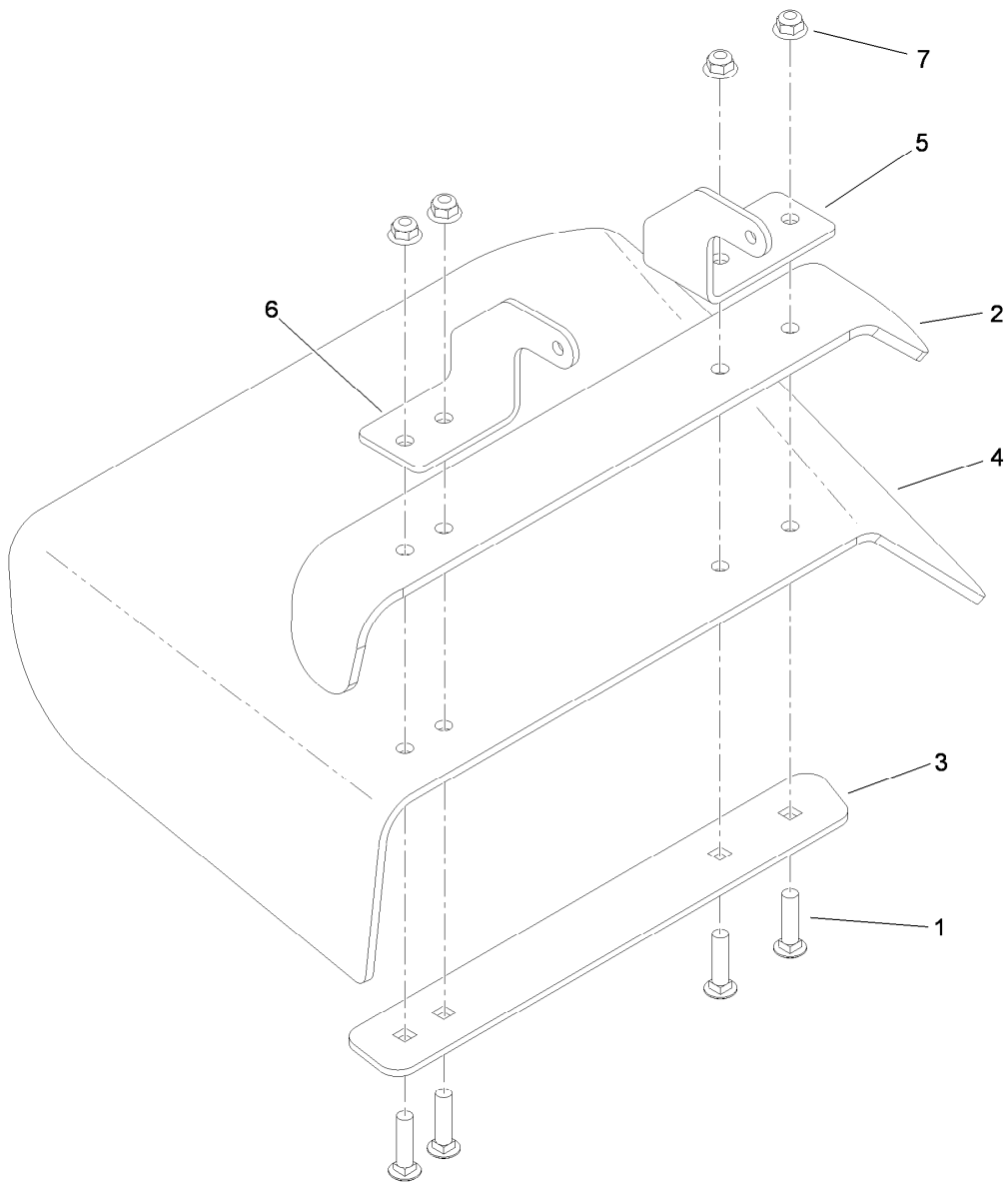
<i>Ref.</i>	<i>Part Number</i>	<i>Qty.</i>	<i>Description</i>	<i>Ref.</i>	<i>Part Number</i>	<i>Qty.</i>	<i>Description</i>
1	110-4909	1	Deck ASM	13	3296-47	1	Nut-Lock, NI
2	121-1775-03	1	Baffle	14	106-4161	5	Knob-Handle
3	110-0744-01	1	Baffle-Discharge	15	1-323417	5	Washer
4	107-3166-01	1	Skid	16	1-303536	3	Stud-Shield, Belt (Long)
5	110-0758	1	Deflector ASM	17	1-303537	2	Stud-Shield, Belt (Short)
6	110-2119-01	1	Cover	18	3231-2	5	Bolt-CARR
7	92-1624	5	Screw-HWH	19	32128-20	5	Nut-HF
8	104-8301	12	Nut-HF, NI	20	112-9712	1	Decal
9	322-50	1	Screw-HH	21	110-0735-03	1	Baffle
10	105-4622	1	Spacer	22	323-4	3	Screw-HH
11	108-4052	1	Spring-Torsion	23	106-5517	2	Decal-Warning
12	109-6658	1	Nut-Flange, NI				



Deck Decal Assembly No. 110-4909

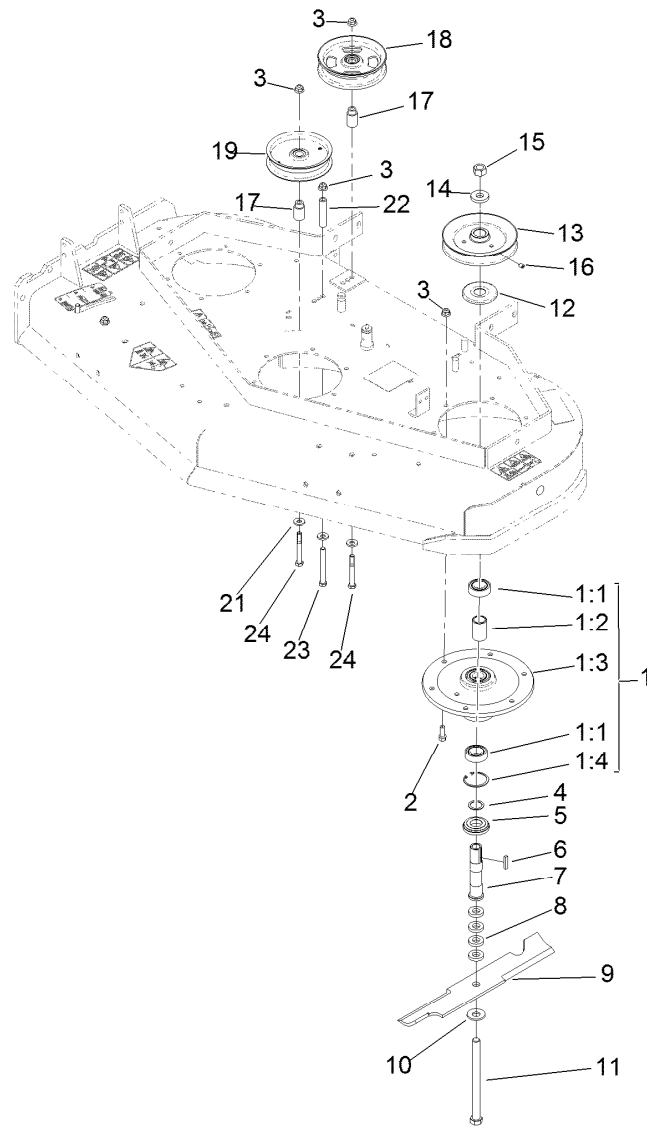
<i>Ref.</i>	<i>Part Number</i>	<i>Qty.</i>	<i>Description</i>
1		1	48 Inch Deck ASM ●
2	99-3943	1	Decal-Routing, Belt
3	112-8760	1	Decal-Danger
4	98-5130	1	Decal-Torque, Bolt
5	121-6049	1	Decal-Danger
6	112-9028	2	Decal-Cover, Missing
7	131-1180	1	Decal-Adjustment, Baffle
8	93-7010	1	Decal-Danger

● Not serviced separately



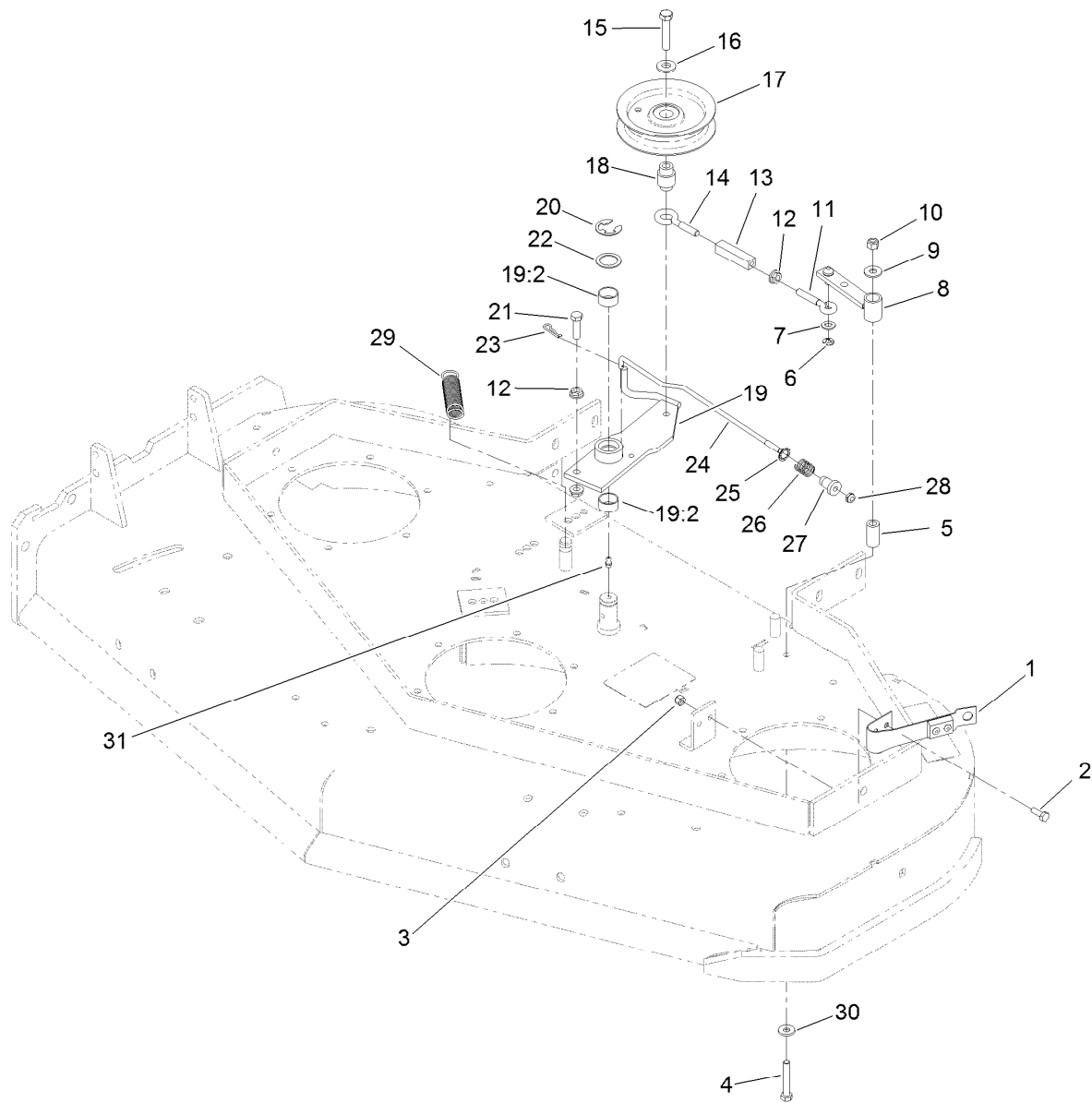
Deflector Assembly No. 110-0758

<i>Ref.</i>	<i>Part Number</i>	<i>Qty.</i>	<i>Description</i>
1	3231-4	4	Screw-CARR
2	106-3246-01	1	Deflector
3	106-3248-03	1	Strap-Discharge
4	110-0759	1	Deflector-Rubber
5	107-4197-01	1	Bracket-Hinge, Rear
6	107-4196-01	1	Bracket-Hinge, Front
7	104-8301	4	Nut-HF, NI



Sheave, Spindle and Blade Assembly

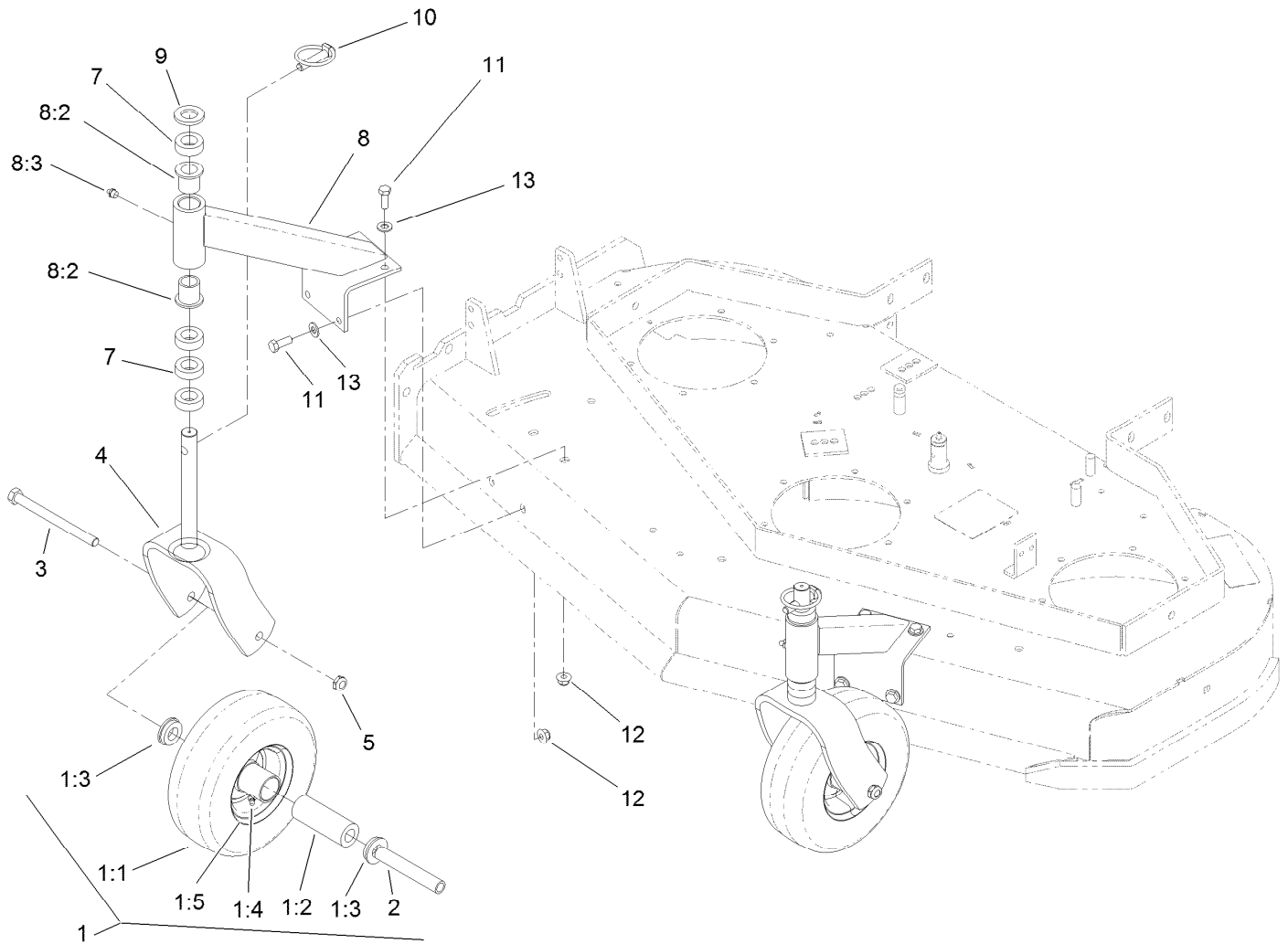
Ref.	Part Number	Qty.	Description	Ref.	Part Number	Qty.	Description
1	108-6697	3	Spindle Housing ASM	11	1-800861	3	Screw-Cap, HH
1:1	119-7857	2	Bearing-Ball, 1 Inch	12	103-1330	3	Guard-Bearing, Top
1:2	110-2116	1	Spacer-Bearing	13	1-403183	3	Sheave
1:3	108-6694	1	Housing-Spindle	14	1-323339	3	Washer-Retainer, Sheave
1:4	32120-8	1	Ring-Snap	15	3219-6	3	Nut-Hex
2	92-1624	18	Screw-HWH	16	3246-18	3	Setscrew
3	104-8301	21	Nut-HF, NI	17	1-413113	2	Bushing-Idler
4	110-4888	3	Washer-Spacer	18	136-5405	1	Pulley-Idler, Flat
5	103-2535	3	Spacer-Guard, Bottom	19	1-613098	1	Pulley-Idler
6	1-807267	3	Key	21	98-5975	3	Washer-Belleville
7	1-323529	3	Tube-Spindle, Short	22	1-403188	1	Spacer
8	1-323539	12	Spacer	23	323-15	1	Screw-HH
9	107-3192-03	3	Blade-16.5 Inch (High Flow)	24	323-14	2	Screw-HH
10	1-513208	3	Washer-Spring				



Idler Assembly

Ref.	Part Number	Qty.	Description	Ref.	Part Number	Qty.	Description
1	1-324372	1	Pad And Spring ASM	16	98-5975	1	Washer-Belleville
1:1	1-323709	1	Pad-Brake ●	17	132-4718	1	Pulley-Idler, Flat
1:2	1-323710	1	Spring ●	18	1-303434	1	Bushing-Engagement
1:3	103-0138	2	Rivet-Pop ●	19	103-3600	1	Idler Arm ASM
2	321-4	2	Screw-HH	19:2	1-323729	2	Sleeve-Bearing
3	3296-42	2	Nut-Lock, NI	20	32151-103	1	Ring-Retaining, EXT
4	322-10	1	Screw-HH	21	116-3515	1	Screw-HH, Special
5	1-403179	1	Tube-Pivot	22	1-303352	1	Washer-Spindle
6	32120-35	1	Ring-Retaining, EXT	23	1-806003	1	Pin-Cotter
7	3256-23	1	Washer-Plain	24	110-4932	1	Rod-Brake
8	1-322235	1	Arm-Assist, 32/36	25	1-323748	1	Ring-Push On
9	3256-3	1	Washer-Flat	26	1-323747	1	Spring-Compression
10	3296-29	1	Nut-Lock, NI	27	1-323746	1	Spacer-Flanged
11	1-303238	1	Eyebolt-Thread, RH	28	3296-56	1	Nut-Lock, NI
12	32128-20	3	Nut-HF	29	1-323071	1	Spring-Extension
13	1-303236	1	Body-Turnbuckle	30	1-303334	1	Washer-Spring
14	1-303348	1	Eyebolt-Thread, LH	31	302-40	1	Fitting-Grease, 90 DEG
15	702809	1	Screw-HH				

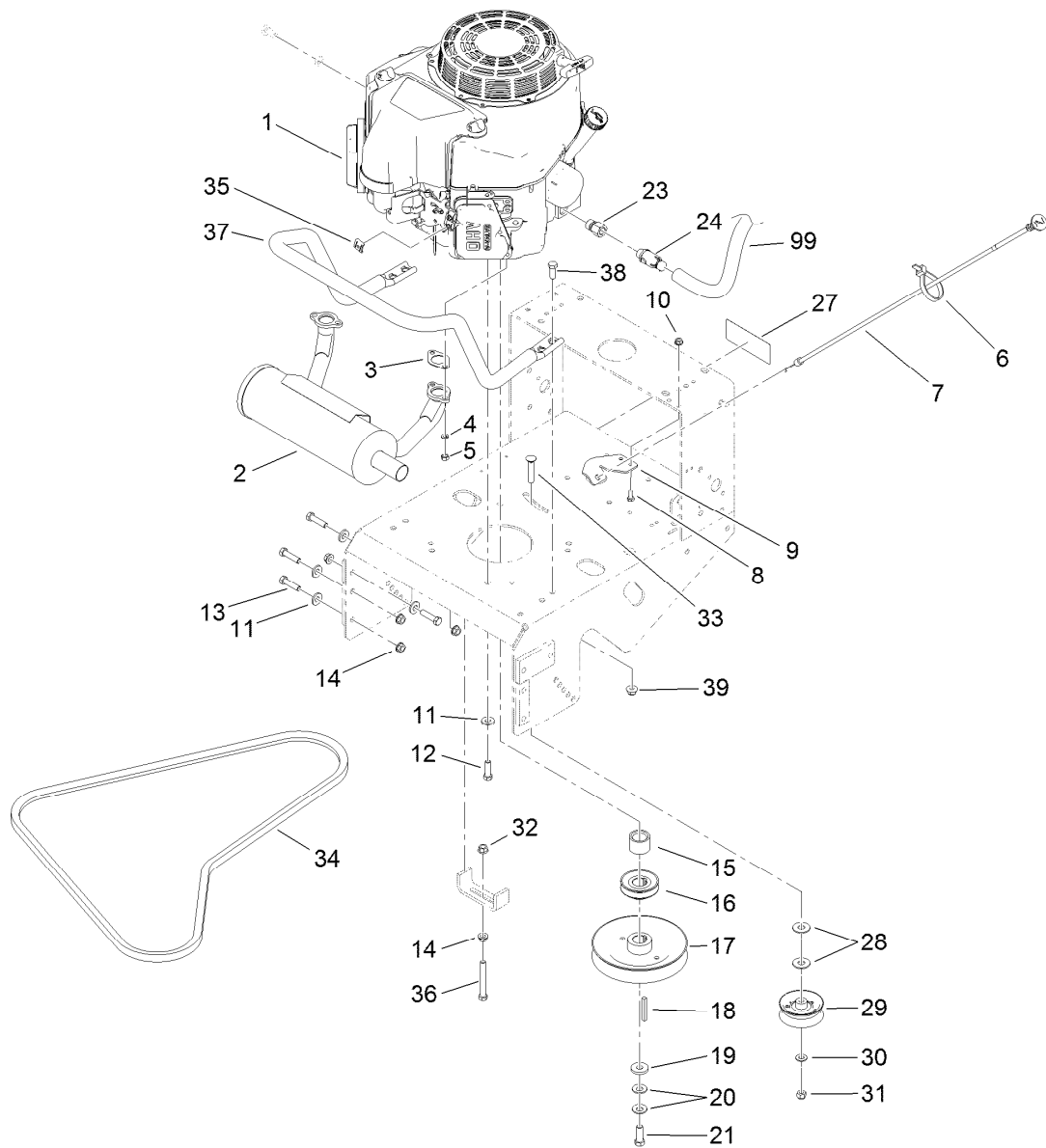
● Not illustrated



Caster Assembly

Ref.	Part Number	Qty.	Description	Ref.	Part Number	Qty.	Description
1	130-4557	2	Wheel And Tire ASM	7	1-303314	8	Spacer-Caster
1:1		1	Tire ●	8	110-2130	2	Support ASM
1:2	1-513809	1	Bearing	8:2	1-303514	2	Bearing-Flanged
1:3	1-513810	2	Bushing	8:3	302-52	1	Fitting-Grease
1:4	302-61	1	Fitting-Grease	9	1-513338	2	Washer-Flat
1:5		1	Wheel ●	10	1-809020	2	Pin
2	1-513547	2	Spacer	11	323-6	8	Screw-HH
3	325-20	2	Screw-HH	12	104-8301	8	Nut-HF, NI
4	116-7942-01	2	Fork-Caster	13	3256-24	8	Washer-Flat
5	3296-45	2	Nut-Hex				

● Not serviced separately

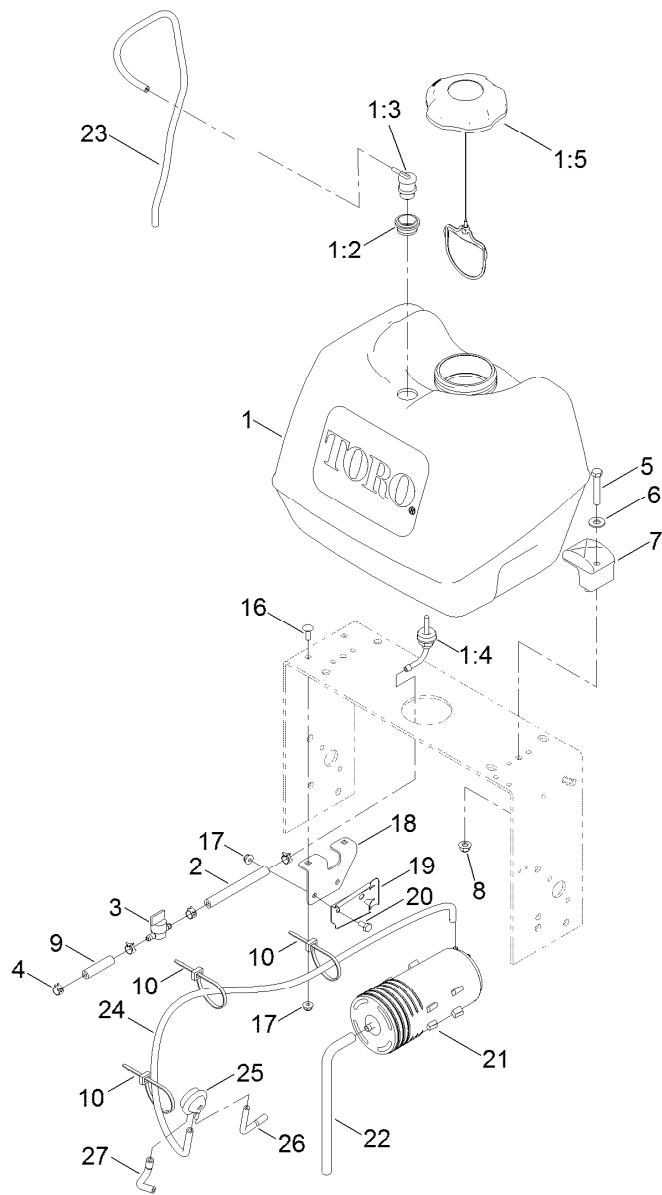


Engine and Exhaust Assembly

Ref.	Part Number	Qty.	Description	Ref.	Part Number	Qty.	Description
1		1	Engine-Kawasaki, Fs481V-As06 ●■	19	1-373034	1	Washer
2	116-3734	1	Muffler-Horizontal, Offset	20	1-603610	2	Washer-Spring
3	1-653313	2	Gasket-Exhaust	21	116-3702	1	Screw-HH
4	114-3550	4	Washer-Lock	23	103-1966	1	Adapter-STR
5	114-3549	4	Nut	24	120-4321	1	Valve-Drain, Oil
6	1-303287	1	Tie-Cable	27	126-1400	1	Decal-Warning, Sulky
7	103-1796	1	Cable-Choke	28	3256-5	2	Washer-Flat
8	321-3	2	Screw-HH	29	130-8362	1	Pulley-Idler, Flat
9	103-1797-01	1	Bracket-Cable, Choke	30	3256-24	1	Washer-Flat
10	32128-33	2	Nut-HF	31	3296-39	1	Nut-Lock, NI
11	98-5975	12	Washer-Belleville	32	32128-21	1	Nut-HF Lock
12	323-7	4	Screw-HH	33	3231-6	1	Screw-CARR
13	323-8	8	Screw-HH	34	110-0543	1	Belt-V
14	3290-357	9	Nut-HHF, Whiz	35	81-1690	1	Clamp-Cable
15	1-633453	1	Spacer-Clutch	36	323-14	1	Screw-HH
16	103-1666	1	Sheave-Transmission	37	116-6278-03	1	Guard-Muffler
17	110-4890	1	Pulley ASM	38	323-6	4	Screw-HH
18	103-4177	1	Key	39	104-8301	4	Nut-HF, NI
				99	103-1964	1	Hose-Drain, Oil

● Not serviced separately

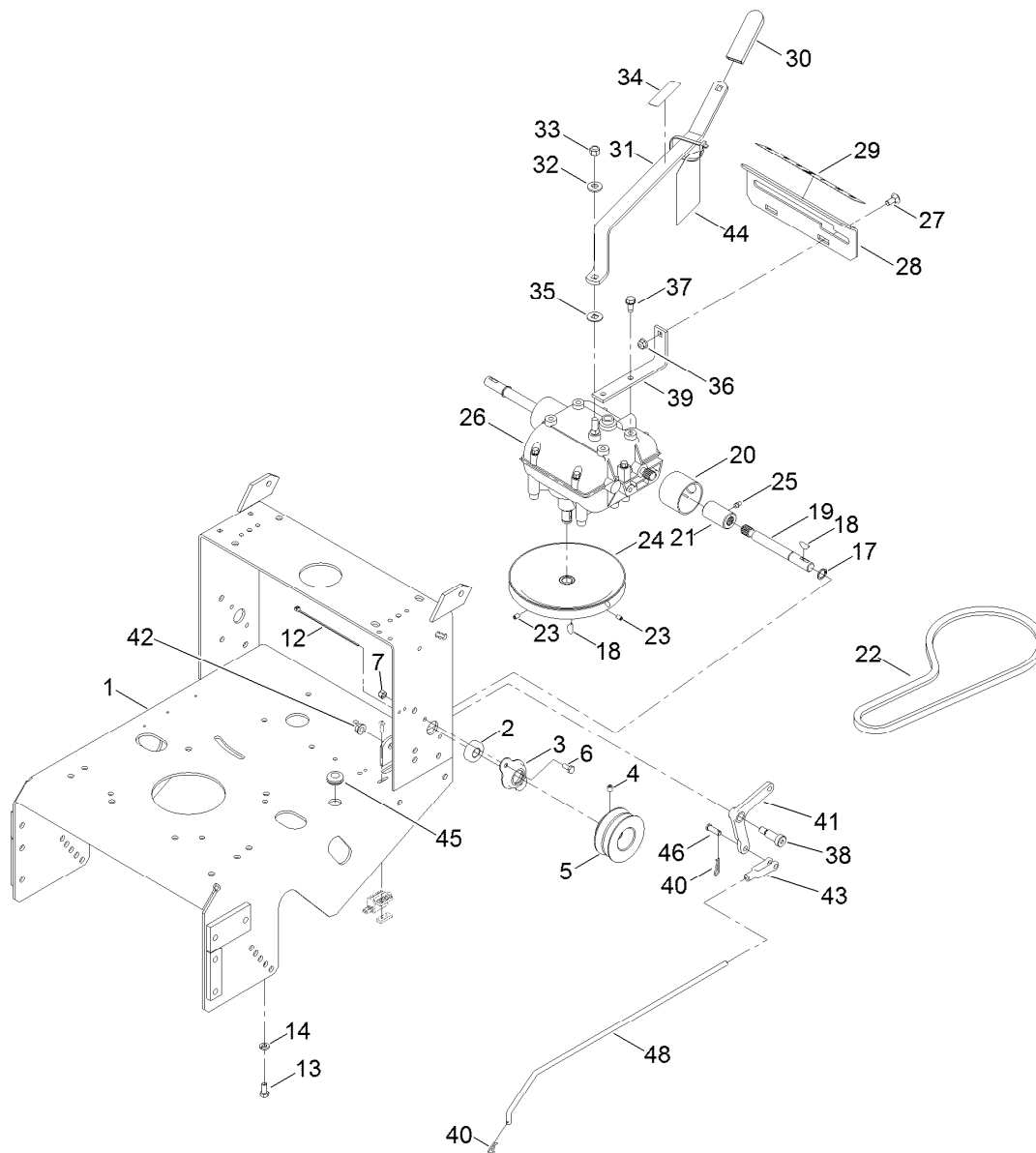
■ Obtain parts from www.kawpower.com



Fuel System Assembly

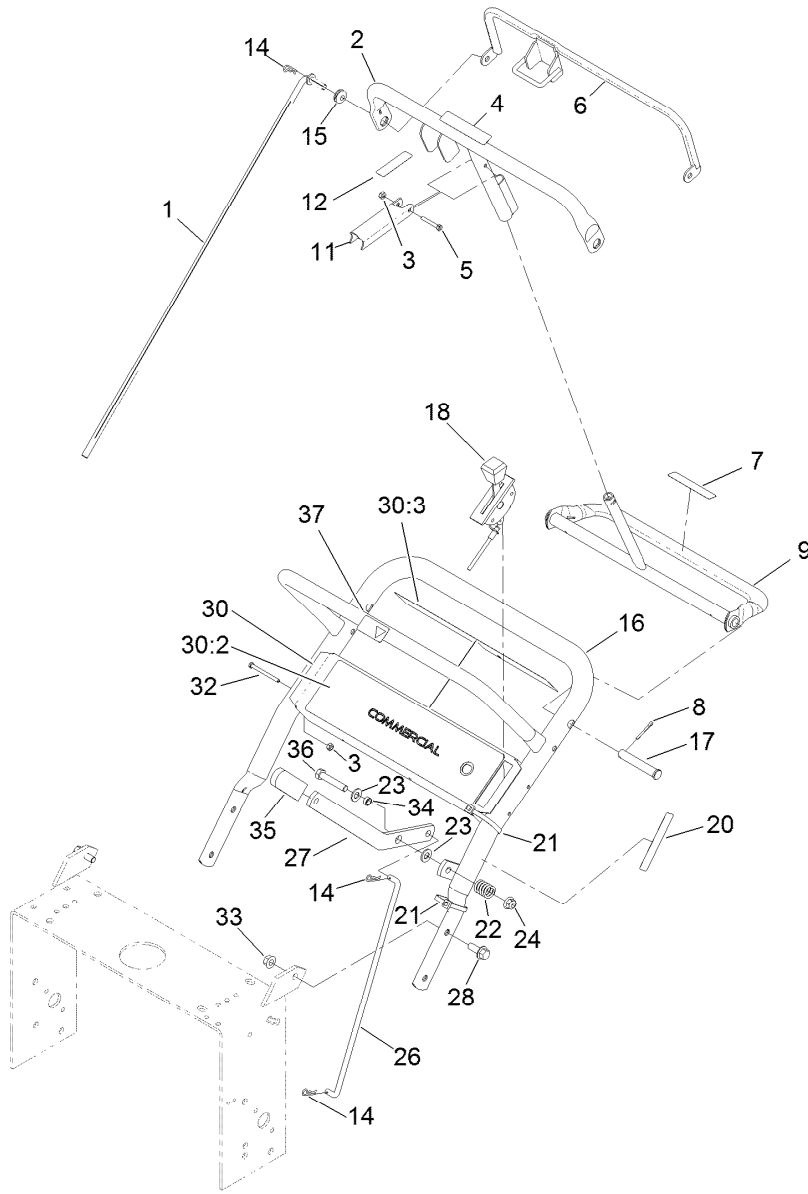
Ref.	Part Number	Qty.	Description
1	126-1526	1	Fuel Tank ASM
1:2	114-0284	1	Grommet
1:3	119-3547	1	Valve-Vent, Fuel
1:4	103-2605	1	Fitting-Fuel, Bulkhead
1:5	137-4119	1	Cap-Fuel, Ratcheting
2	109-0650	1	Hose-Fuel
3	1-603770	1	Valve-Fuel
4	2412-98	4	Clamp-Hose
5	322-10	2	Screw-HH
6	3256-3	2	Washer-Flat
7	107-4543	2	Clamp
8	104-8300	2	Nut-HF, NI
9	99-9415	1	Hose-Fuel

Ref.	Part Number	Qty.	Description
10	3290-378	3	Tie-Cable
16	3229-1	2	Screw-CARR
17	104-7201	4	Nut-HF
18	115-4486-01	1	Bracket-Canister, Carbon
19	114-0292	1	Bracket-Canister, Carbon
20	321-2	2	Screw-HH
21	117-1221	1	Canister-Carbon, 800Cc
22	115-0962	1	Hose-Vent, Canister
23	114-0286	1	Hose-Vent
24	116-2231	1	Hose-Vent, Formed
25	116-2232	1	Valve-Control, Vacuum
26	119-8501	1	Hose-Vent, Formed
27	119-8502	1	Hose-Vent, Formed



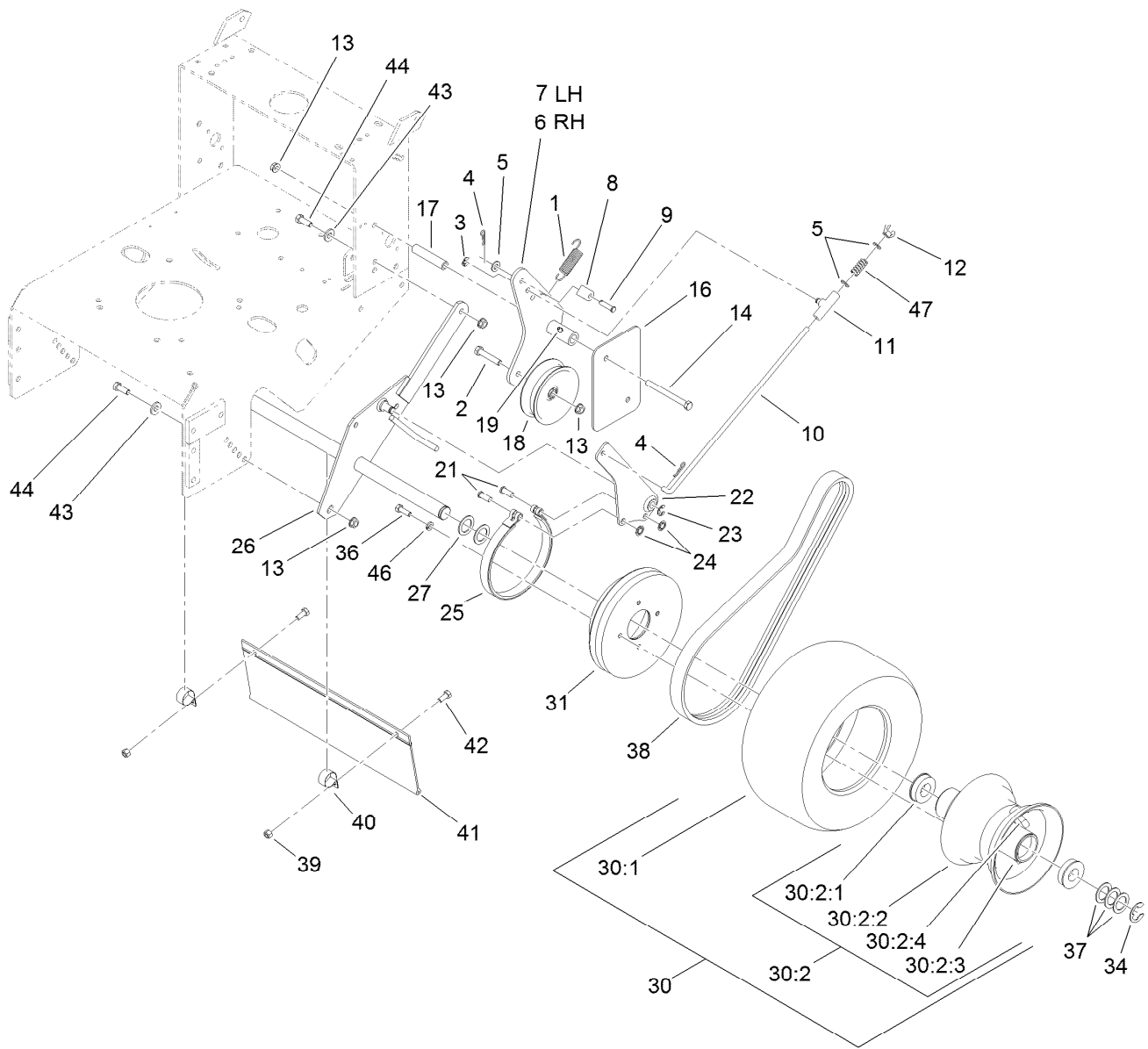
Frame and Transmission Assembly

Ref.	Part Number	Qty.	Description	Ref.	Part Number	Qty.	Description
1	116-6084-01	1	Frame-Gear	28	1-323387-03	1	Plate-Shift
2	1-323252	2	Bearing-Shaft	29	98-3264	1	Decal-Speed, Ground
3	1-323254	2	Flange-Output	30	1-303020	1	Grip-Lever
4	3246-18	2	Setscrew	31	98-3274-03	1	Lever-Shift
5	103-6511	2	Sheave-Transmission	32	98-5975	1	Washer-Belleville
6	321-3	4	Screw-HH	33	3296-6	1	Nut-Lock
7	3296-42	4	Nut-Lock, NI	34	132-4708	1	Decal-Caution, Gearbox
12	1-303287	1	Tie-Cable	35	1-323379	1	Washer
13	322-3	4	Screw-HH	36	104-8300	2	Nut-HF, NI
14	1-805005	4	Washer-Lock	37	32144-11	4	Screw-HWH
17	32151-62	2	Ring-Retaining	38	1-603403	1	Bolt-Shoulder
18	3257-5	3	Key-Woodruff	39	1-323389-03	2	Bracket-Plate, Shift
19	1-323502	2	Shaft-Transmission	40	1-806003	2	Pin-Cotter
20	51-4220	2	Guard-Coupler	41	1-303186	1	Bellcrank
21	1-323680	2	Coupler	42	3290-357	1	Nut-HHF, Whiz
22	1-323630	1	V-Belt	43	1-303105	1	Yoke-Adjustable
23	3245-41	2	Screw-HSH	44	132-4712	1	Hang Tag-Gearbox
24	1-323278	1	Sheave-Transmission	45	1-543296	1	Grommet
25	302-19	2	Fitting-Grease	46	1-808280	1	Pin-Clevis
26	137-4105	1	Transmission-5 Speed	48	1-323303	1	Arm-Assist, Linkage
27	3230-1	2	Bolt-CARR				



Handle and Control Assembly

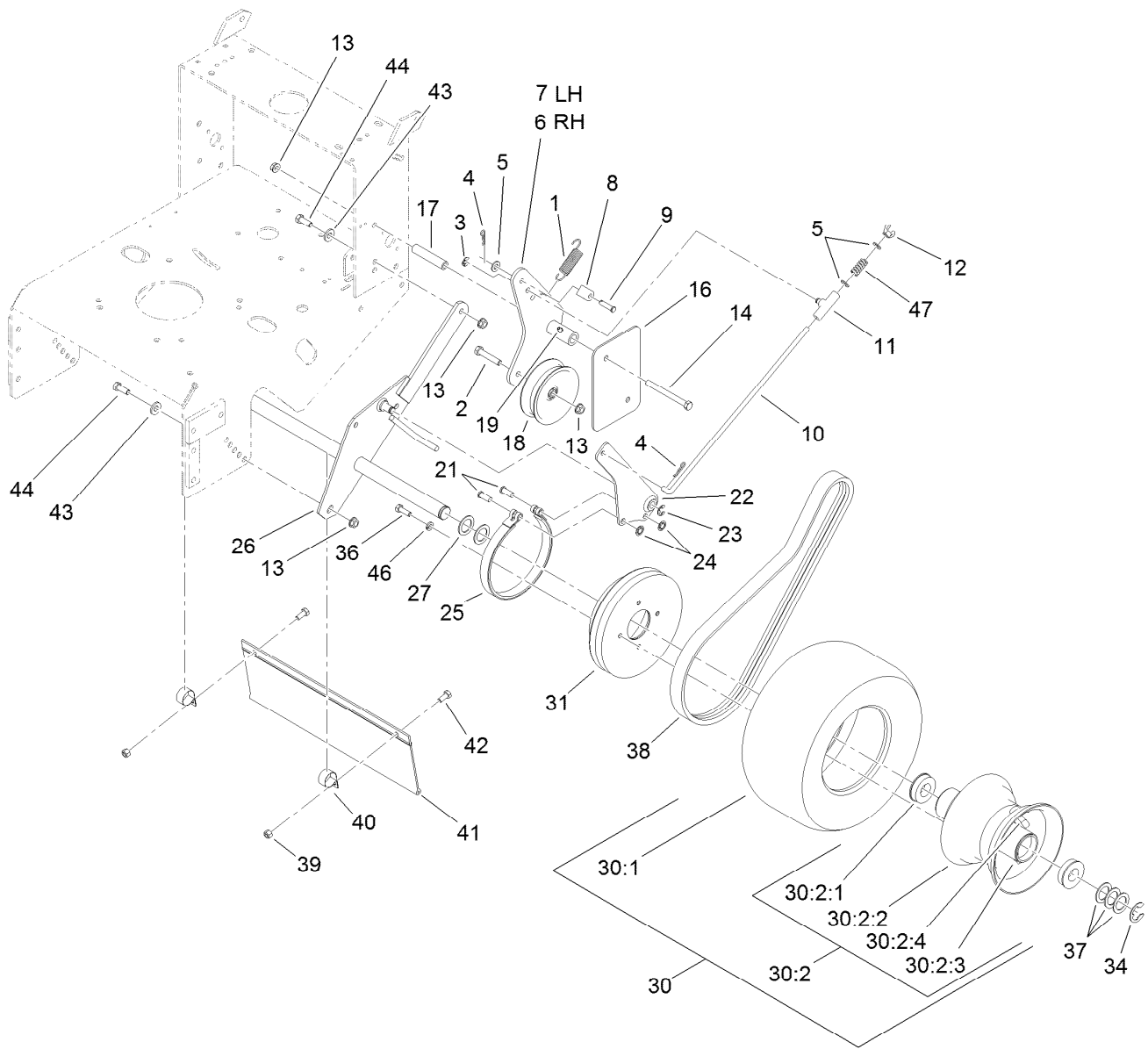
Ref.	Part Number	Qty.	Description	Ref.	Part Number	Qty.	Description
1	132-4711	2	Rod-Control	21	3290-378	2	Tie-Cable
2	95-5522-03	1	Bar-Control	22	1-303160	1	Spring-Compression
3	3296-2	5	Nut-Lock, NI	23	3256-24	2	Washer-Flat
4	93-7298	1	Decal-Bar, Control	24	104-8301	1	Nut-HF, NI
5	32105-1	1	Screw-SHH	26	98-3279	1	Linkage-Drive, Blade
6	82-7680-03	1	Bail	27	98-3287-03	1	Lever-Engagement, Blade
7	93-7299	1	Decal-Reverse	28	3234-11	4	Screw-HHF
8	3272-11	2	Pin-Cotter	30	140-4296	1	Control Panel ASM
9	106-5477-03	1	Pivot-Control	30:2	130-8374	1	Decal-Panel, Control
11	98-3261-03	1	Lever-Brake, Parking	30:3	140-1877	1	Decal - Warning, Control
12	93-7442	1	Decal-Lever, Parking	32	32105-14	4	Screw-SHH
14	1-806003	3	Pin-Cotter	33	32128-21	4	Nut-HF Lock
15	237-141	2	Grommet-Rubber	34	99-8509	1	Spacer
16	98-3267-03	1	Handle-Upper	35	1-303020	1	Grip-Lever
17	283-55	2	Pin-Clevis	36	323-10	1	Screw-HH
18	119-6539	1	Cable-Throttle	37	98-4387	1	Decal-Protection, Ear
20	95-5537	1	Decal-Engage, Deck				



Drive Wheel and Brake Assembly

Ref.	Part Number	Qty.	Description	Ref.	Part Number	Qty.	Description
1	98-3273	2	Spring-Extension	21	1-323307	4	Pin-Clevis
2	323-10	2	Screw-HH	22	1-322209-03	2	Arm-Brake
3	32151-47	2	Ring-Retaining	23	32120-47	2	Ring-Retaining, External
4	1-806003	4	Pin-Cotter	24	1-803051	4	Ring-Retain
5	3256-23	4	Washer-Plain	25	1-323595	2	Band-Brake
6	110-4925-03	1	Arm-Idler, RH	26	1-322212-03	1	Axle
7	110-4926-03	1	Arm-Idler, LH	27	1-543436	2	Washer-Spacer
8	74-0521	2	Fitting-Rod	30	130-8363	2	Wheel And Tire ASM
9	283-6	2	Pin-Clevis	30:1	130-8367	1	Tire
10	1-323296	2	Rod-Brake	30:2	130-4565	1	Wheel And Hub ASM
11	110-5866	2	Swivel-Brake	30:2:1	1-323329	2	Bearing-Flanged
12	1-513959	2	Wingnut-Nylock	30:2:2		1	Rim ASM ●
13	3290-357	10	Nut-HHF, Whiz	30:2:3		1	Fitting-Grease ●
14	323-16	4	Screw-HH	30:2:4		1	Stem-Valve ●
16	98-5131-01	2	Shield-Wheel, Drive	31	109-4359	2	Drum And Sheave ASM
17	1-323694	4	Spacer-Shield	34	1-808519	2	Ring-Snap
18	1-323634	2	Idler-Drive, Wheel	36	322-5	8	Screw-HH
19	302-19	2	Fitting-Grease	37	1-523157	6	Washer-Spacer

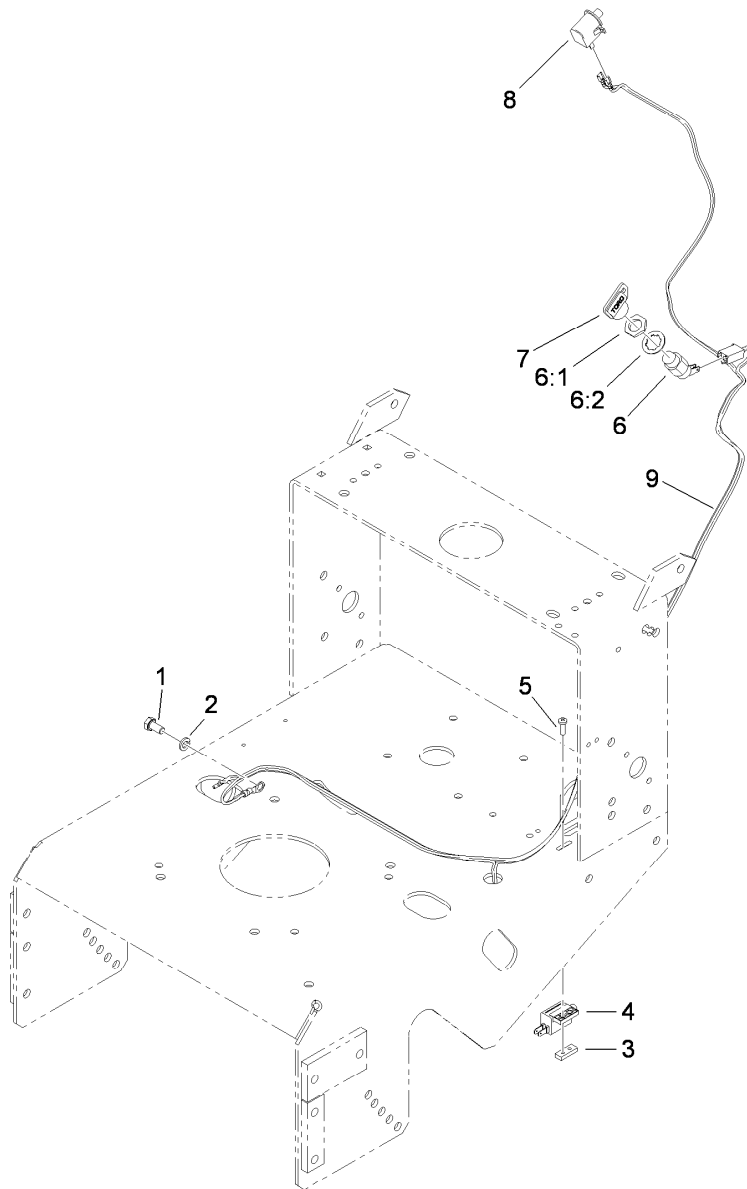
● Not serviced separately



Drive Wheel and Brake Assembly (continued)

Ref.	Part Number	Qty.	Description	Ref.	Part Number	Qty.	Description
38	1-323631	2	V-Belt	43	98-5975	4	Washer-Belleville
39	3296-29	2	Nut-Lock, NI	44	323-6	4	Screw-HH
40	2412-104	2	Clamp-R	46	1-805005	8	Washer-Lock
41	98-3259	1	Shield-Trailing	47	1-323245	2	Spring-Compression
42	322-3	2	Screw-HH				

● Not serviced separately



Wire Harness Assembly

<i>Ref.</i>	<i>Part Number</i>	<i>Qty.</i>	<i>Description</i>
1	33114-016	1	Screw-HH
2	3253-4	1	Washer-Lock
3	1-633181	1	Plate-Tapped
4	1-513152	1	Switch-Closed, Normally
5	3290-500	2	Screw-PPH
6	29-5560	1	Switch-On / Off
6:1	218-461	1	Nut-HH
6:2	3254-5	1	Washer-Lock
7	63-8360	1	Key-Ignition
8	740275	1	Switch
9	119-6535	1	Harness-Wire

Attachments and Accessories

For 39678 Commercial Walk-Behind Mower Fixed Deck, T-Bar, Gear Drive with 48in TURBO FORCE Cutting Unit

Product Name	Model/Part
Blade-Low Flow, 16.5in.....	107-3193-03
Blade-Mid Flow, 16.5in	107-3194-03
Blade-Atomic, 16.5in	107-3195-03
Blade-Recycling, 16.5in.....	107-3196-03
Bagging Enhancement Kit	108-4091
48in Recycler Kit.....	110-2060
Soft Bag (3 Bushel).....	30104
Sulky.....	30109
Weight Kit	110-2085
Blade-Hi Flow, 16.5in (6 Pack).....	110-0414
Blade-Lo Flow, 16.5in (6 Pack)	110-0415
Blade-Recycler, 16.5in (6 Pack).....	110-0416
Blade-Atomic, 16.5in (6 Pack)	110-0417
Blade-Mid Flow, 16.5in (6 Pack)	110-0418
Operator Controlled Discharge Chute Kit.....	115-4195
Spark Plug	92-2153
Oil Filter	119-5852
Fuel Filter.....	120-2235
Air Filter Element	120-7447
Oil-30/10W-30 Synthetic (Quart).....	138-6053
Toro 4-Cycle SAE 30 Oil (32oz Bottle)	38903

Notes:

Notes:



Count on it.