



Count on it.

Operator's Manual

**50in or 54in Bagger
Zero-Turn-Radius Riding Mower**

Model No. 79412—Serial No. 40000000 and Up



⚠ WARNING

**CALIFORNIA
Proposition 65 Warning**

Use of this product may cause exposure to chemicals known to the State of California to cause cancer, birth defects, or other reproductive harm.

(Figure 2), which signals a hazard that may cause serious injury or death if you do not follow the recommended precautions.



Figure 2

g000502

- 1. Safety-alert symbol

Introduction

Read this information carefully to learn how to operate and maintain your product properly and to avoid injury and product damage. You are responsible for operating the product properly and safely.

Visit www.Toro.com for product safety and operation training materials, accessory information, help finding a dealer, or to register your product.

Whenever you need service, genuine Toro parts, or additional information, contact an Authorized Service Dealer or Toro Customer Service and have the model and serial numbers of your product ready. Figure 1 identifies the location of the model and serial numbers on the product. Write the numbers in the space provided.

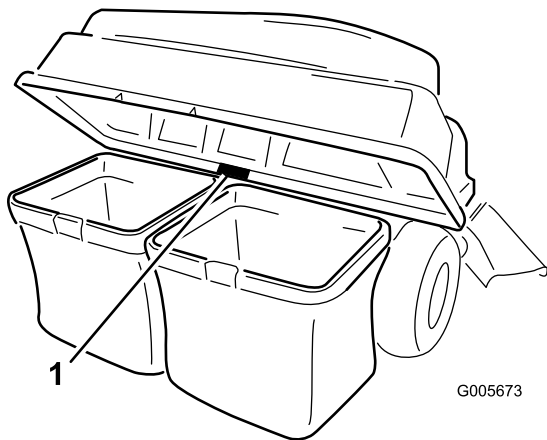


Figure 1

g005673

- 1. Model and serial number location

Model No. _____
Serial No. _____

This manual identifies potential hazards and has safety messages identified by the safety-alert symbol

This manual uses 2 words to highlight information. **Important** calls attention to special mechanical information and **Note** emphasizes general information worthy of special attention.

Contents

Safety 3
Towing Safety 3
Safety and Instructional Decals 4
Setup 5
1 Preparing the Machine 6
2 Preparing the Machines equipped with MyRide 6
3 Installing the Weights 6
4 Installing the Guards on the Machines equipped with MyRide 7
5 Installing the Attachment Mount 8
6 Installing the Latch Rod 9
7 Assembling the Bagger Top 9
8 Installing the Bagger Top 10
9 Installing the Chute 11
10 Connecting with the Discharge Tube 13
Operation 14
Emptying the Grass Bags 14
Clearing Obstructions from the Bagger 15
Removing the Bagger 15
Using the Draw Bar 15
Operating Tips 16
Maintenance 17
Recommended Maintenance Schedule(s) 17
Inspecting the Bagger Attachment 17
Inspecting the Mower Blades 18
Cleaning the Bagger Attachment 18
Storage 18
Storing the Bagger Attachment 18

Safety

- Become familiar with the safe operation of the equipment, with the operator controls, and safety signs.
- Use extra care with grass catchers or other attachments. These can change the operating characteristics and the stability of the machine.
- Follow the manufacturer's recommendations for adding or removing wheel weights or counterweights to improve stability.
- Do not use a grass catcher on steep slopes. A heavy grass catcher could cause loss of control or overturn the machine.
- Slow down and use extra care on hillsides. Be sure to travel in the recommended direction on hillsides. Turf conditions can affect the stability of the machine. Use extreme caution while operating near drop-offs.
- Keep all movement on slopes slow and gradual. Do not make sudden changes in speed, direction, or turning.
- The grass catcher can obstruct the view to the rear. Use extra care when operating in reverse.
- Use care when loading or unloading the machine into a trailer or truck.
- Never operate with the discharge deflector raised, removed or altered, unless using a grass catcher.
- Keep hands and feet away from moving parts. Do not make adjustments with the engine running.
- Park the machine on level ground, disengage the drives, engage the parking brake, shut off the engine, and remove the key before leaving the operator's position for any reason including emptying the grass catcher or unclogging the chute.
- If you remove the grass catcher, be sure to install any discharge deflector or guard that might have been removed to install the grass catcher. Do not operate the mower without either the entire grass catcher or the grass deflector in place.
- Do not leave grass in the grass catcher for extended periods of time.
- Grass catcher components are subject to wear, damage and deterioration, which could expose you to moving parts or allow objects to be thrown. Frequently check components and replace with the manufacturer's recommended parts, when necessary.

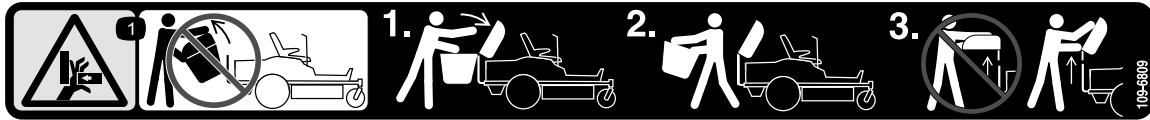
Towing Safety

- Do not attach towed equipment except at the hitch point.
- Follow the attachment manufacturer's recommendation for weight limits for towed equipment and towing on slopes.
- Never allow children or others in or on towed equipment.
- On slopes, the weight of the towed equipment may cause loss of traction and loss of control. Reduce towed weight and slow down.
- Stopping distance increases with the weight of the towed load. Travel slowly and allow extra distance to stop.
- Make wide turns to keep the attachment clear of the machine.
- Do not tow a load that weighs more than the towing machine.

Safety and Instructional Decals



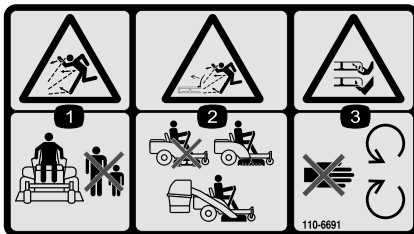
Safety decals and instructions are easily visible to the operator and are located near any area of potential danger. Replace any decal that is damaged or missing.



109-6809

decal109-6809

1. Crushing hazard of hand—do not remove the whole bagger from the machine; open the bagger top and then remove the bag(s) from the bagger. Do not remove the bagger top when it is closed; open the bagger top and then remove it.



110-6691

decal110-6691

1. Thrown object hazard—keep bystanders away.
2. Thrown object hazard, mower—do not operate without the deflector, discharge cover, or grass collection system in place.
3. Cutting/dismemberment hazard of hand or foot—stay away from moving parts.

WARNING: Cancer and Reproductive Harm - www.P65Warnings.ca.gov.
For more information, please visit www.ttcoCAProp65.com

133-8061

133-8061

decal133-8061

Setup

Loose Parts

Use the chart below to verify that all parts have been shipped.

Procedure	Description	Qty.	Use
1	No parts required	–	Prepare the machine.
2	No parts required	–	Preparing the machine equipped with MyRide.
3	Bolt (3/8 x 1 inch) Locknut (3/8 inch) Left weight-mounting bracket Right weight-mounting bracket Washer Bolt (5/8 x 2-3/4 inches) Suitcase weight	4 6 1 1 2 2 6	Install the weights.
4	No parts required	–	Installing the guards on the machines equipped with MyRide.
5	Stabilizer bracket Carriage bolt (5/16 x 3/4 inch) Locknut (5/16 inch) Self-tapping screw (5/16 x 3/4 inch) Bolt (5/16 x 1 inch) Pivot frame Hairpin cotter Rod Washer	1 2 4 2 2 1 2 2 2	Install the attachment mount.
6	Latch rod Hairpin cotter	1 1	Install the latch rod.
7	Bagger top Bagger screen	1 1	Assemble the bagger top.
8	Grass Bag Upper bagger tube Pivot bracket Bolt (5/16 x 1 inch) Nut (5/16 inch)	2 1 2 4 4	Install the bagger top.
9	Chute Baffle (50-inch decks only)	1 1	Install the chute.
10	Discharge tube	1	Connect with the discharge tube.

1

Preparing the Machine

No Parts Required

Procedure

1. Park the machine on a level surface.
2. Engage the parking brake.
3. Shut off the engine and remove the key.

2

Preparing the Machines equipped with MyRide

No Parts Required

Procedure

Remove the bolts securing the guards on the sides of the frame.

Remove the guards on both sides of the frame. Retain all of the parts.

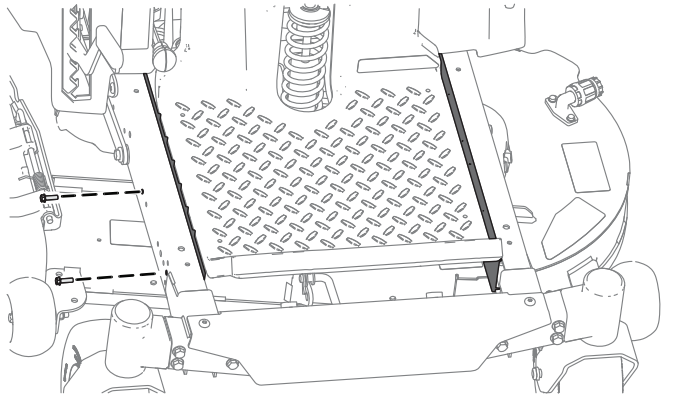


Figure 3

3

Installing the Weights

Parts needed for this procedure:

4	Bolt (3/8 x 1 inch)
6	Locknut (3/8 inch)
1	Left weight-mounting bracket
1	Right weight-mounting bracket
2	Washer
2	Bolt (5/8 x 2-3/4 inches)
6	Suitcase weight

Procedure

⚠ CAUTION

The bagger changes the weight distribution of the machine. Operating the machine without the front weights may cause an unstable condition, which could result in a loss of control.

Ensure the front weights are properly installed before operating the machine with the bagger attachment.

1. Install the weight-mounting brackets to the under side of the frame using 2 bolts (3/8 x 1 inch), and 2 locknuts (3/8 inch) as shown in [Figure 4](#).
2. Install the suitcase weights to the weight mounting brackets using 2 bolts (5/8 x 2-3/4 inches), 2 washers, and 2 locknuts (3/8 inch) as shown in [Figure 5](#).
3. Once you have installed all the weights and brackets, ensure that all the fasteners are tight. Tighten as necessary.

Important: Whenever you remove the bagger attachment, remember to remove the front weights to return the proper stability to the machine.

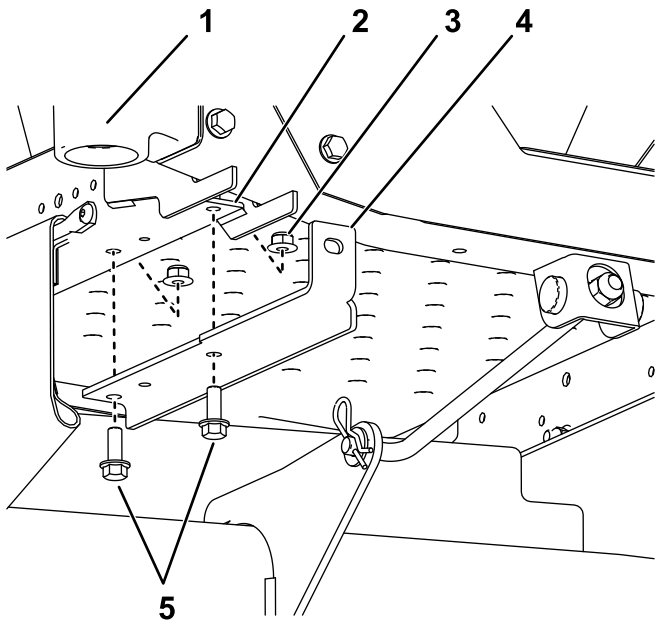


Figure 4

g299192

Castor fork and wheel not shown for clarity.

- | | |
|------------------------------------|---------------------------|
| 1. Front right caster | 4. Right mounting bracket |
| 2. Forward hole (right side shown) | 5. Bolts (3/8 x 1 inch) |
| 3. Locknut (3/8 inch) | |

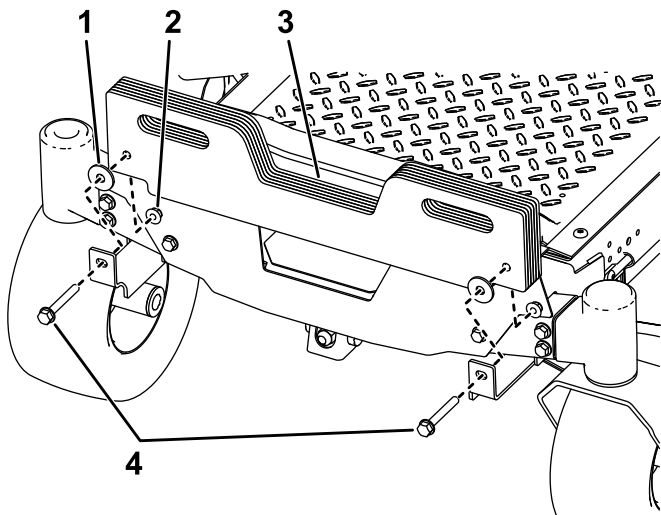


Figure 5

g299244

- | | |
|-----------------------|-------------------------------|
| 1. Spacer | 3. Suitcase weights |
| 2. Locknut (3/8 inch) | 4. Bolts (5/8 x 2-3/4 inches) |

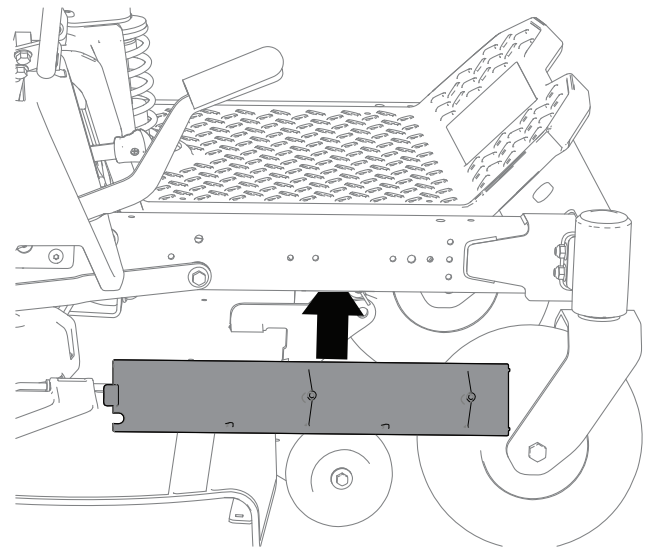
4

Installing the Guards on the Machines equipped with MyRide

No Parts Required

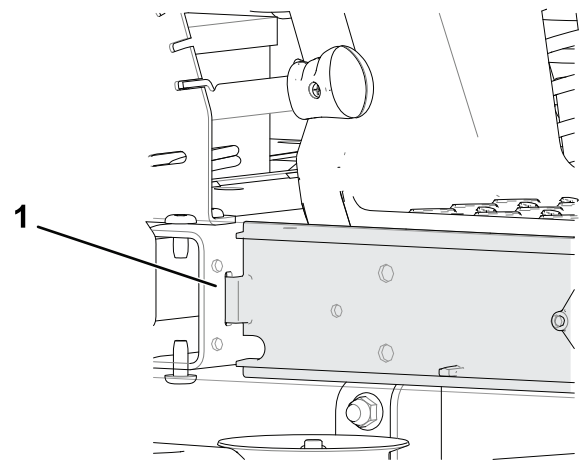
Procedure

Insert the top of the guard under the deck, tilt the guard to slide the guard under the frame and place the guard into the notches.



g308505

Figure 6



g308526

Figure 7

1. Notch

Secure the guard with the bolts.

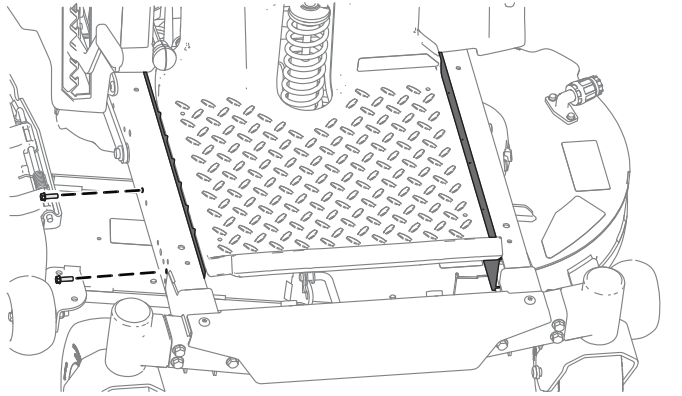


Figure 8

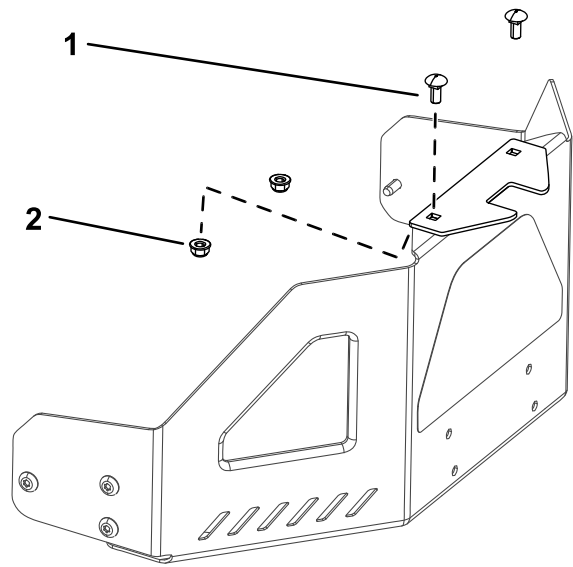


Figure 9

1. Carriage bolt (5/16 x 3/4 inch)
2. Locknut (5/16 inch)

5

Installing the Attachment Mount

Parts needed for this procedure:

1	Stabilizer bracket
2	Carriage bolt (5/16 x 3/4 inch)
4	Locknut (5/16 inch)
2	Self-tapping screw (5/16 x 3/4 inch)
2	Bolt (5/16 x 1 inch)
1	Pivot frame
2	Hairpin cotter
2	Rod
2	Washer

Installing the Stabilizer Bracket and Pivot Frame

1. Install the stabilizer bracket to the engine guard using 2 carriage bolts (5/16 x 3/4 inch) and 2 locknuts (5/16 inch) (Figure 9).

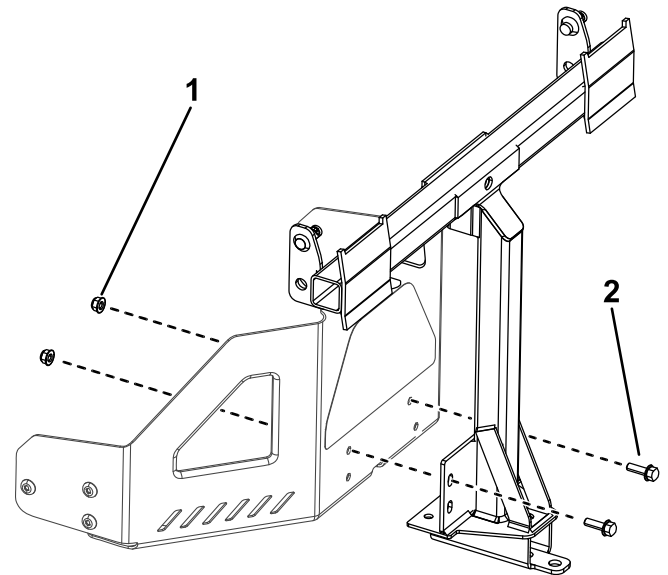


Figure 10

1. Locknut (5/16 inch)
2. Bolt (5/16 x 1 inch)

3. Secure the pivot frame to the bottom of the machine frame using 2 self-tapping screws (5/16 x 3/4 inch) as shown in Figure 11.

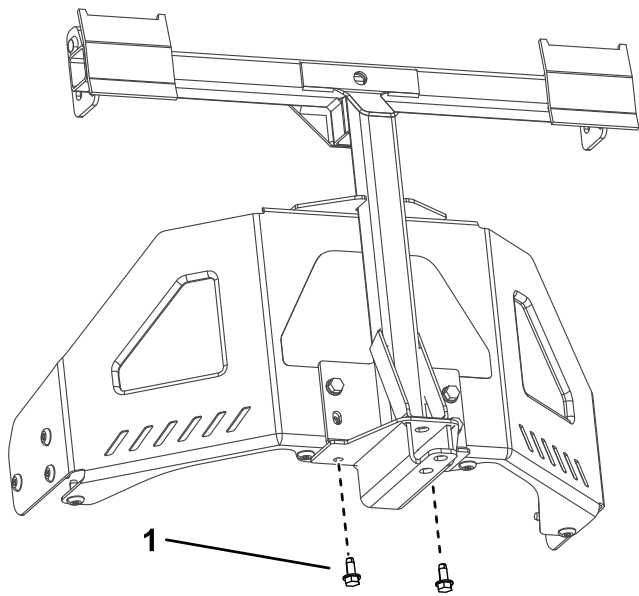


Figure 11

g300206

1. Self-tapping screw (5/16 x 3/4 inch)

4. Install the bent, flared end of a rod into the keyed slot in the left side of the machine frame, and move the rod rearward to seat it in the frame (Figure 12).

Note: Repeat this step for the right side of the machine.

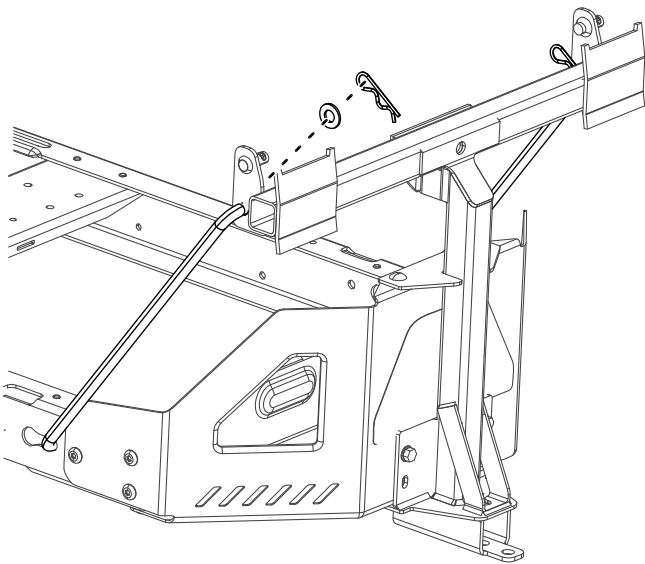


Figure 12

g300207

5. Insert the bent ends of the rods into the attachment mount as shown in Figure 12 and secure the end of each rod with a washer and hairpin cotter.

6

Installing the Latch Rod

Parts needed for this procedure:

1	Latch rod
1	Hairpin cotter

Procedure

Install the latch rod with a hairpin cotter (Figure 13).

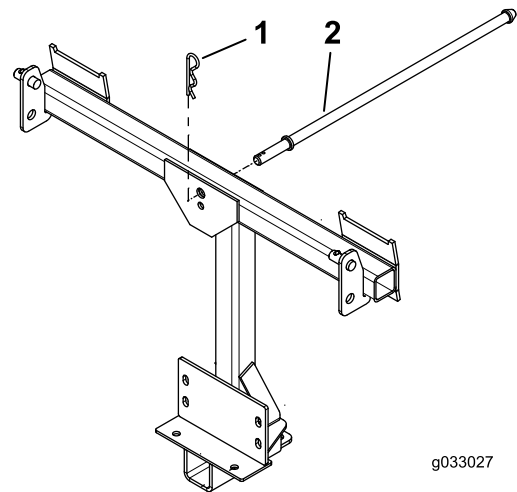


Figure 13

g033027

g033027

1. Hairpin cotter
2. Latch rod

7

Assembling the Bagger Top

Parts needed for this procedure:

1	Bagger top
1	Bagger screen

Procedure

1. Turn the bagger top over.
2. Install the screen as shown in Figure 14 and that it slopes down toward the collection bags.

Note: Make sure the screens snap into place and the tabs engage the bagger top.

8

Installing the Bagger Top

Parts needed for this procedure:

2	Grass Bag
1	Upper bagger tube
2	Pivot bracket
4	Bolt (5/16 x 1 inch)
4	Nut (5/16 inch)

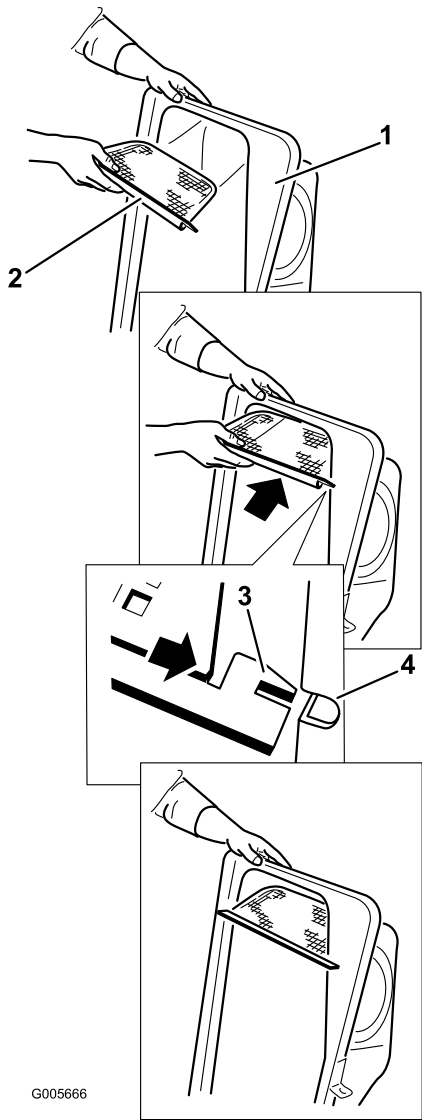


Figure 14

- 1. Bagger top
- 2. Screen
- 3. Screen tab
- 4. Slot in bagger top

Procedure

1. Install the bagger top to the bagger frame.
2. Install the pivot brackets onto the pivot frame (Figure 12).
3. Secure the bagger top to the pivot brackets with 4 bolts (5/16 x 1 inch) and 4 nuts (5/16 inch).

Note: The bagger top is easier to install if 2 people work together.

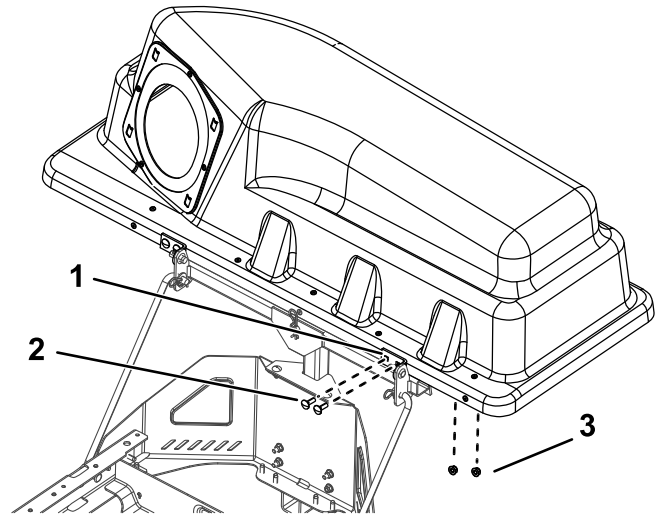


Figure 15

- 1. Bagger posts
- 2. Bolts (5/16 x 1 inch)
- 3. Nuts (5/16 inch)

4. Lift the bagger top and install the bags by sliding the bag frame hooks onto the retaining brackets (Figure 16).

9

Installing the Chute

Parts needed for this procedure:

1	Chute
1	Baffle (50-inch decks only)

Procedure

For 54-inch decks, go to Step 3.

1. For 50-inch decks, remove the existing baffle from the machine (Figure 18).

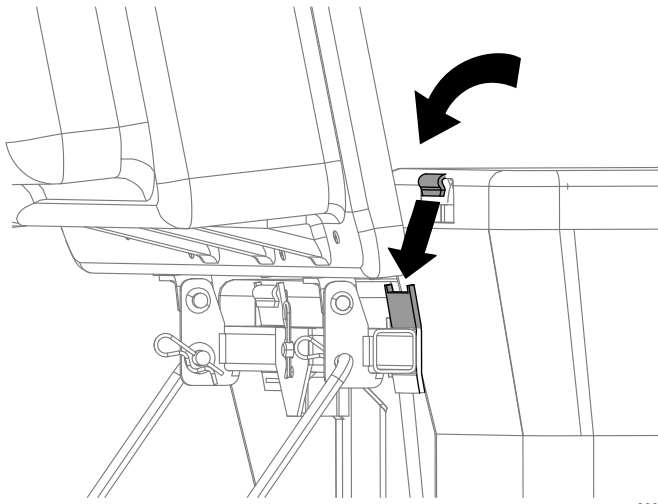


Figure 16

g300378

5. Lower the bagger top onto the bags (Figure 17).

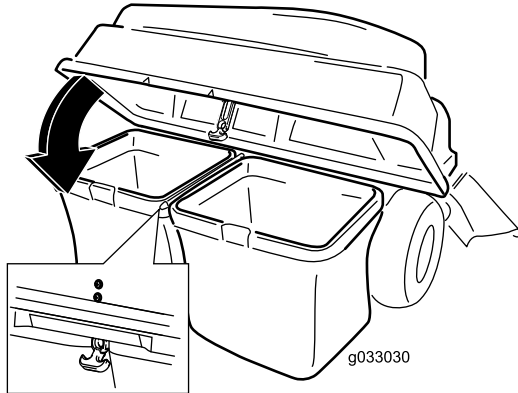


Figure 17

g033030

6. Install the upper bagger tube by inserting the curved end into the opening in the bagger top.

Note: Ensure that the flared end with the retention post is pointing down and forward in preparation to be mated with the Finishing Kit.

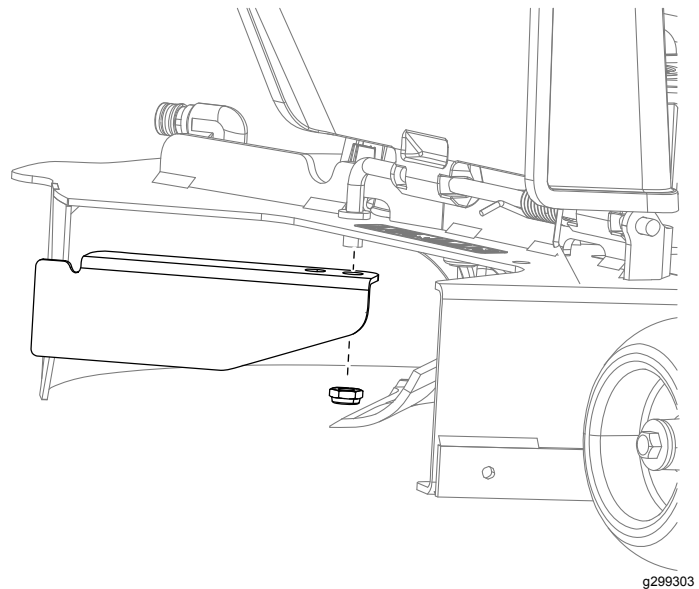


Figure 18

g299303

2. Install the new small baffle to the mower deck at the same location in the mower deck as the previously removed baffle (Figure 19).

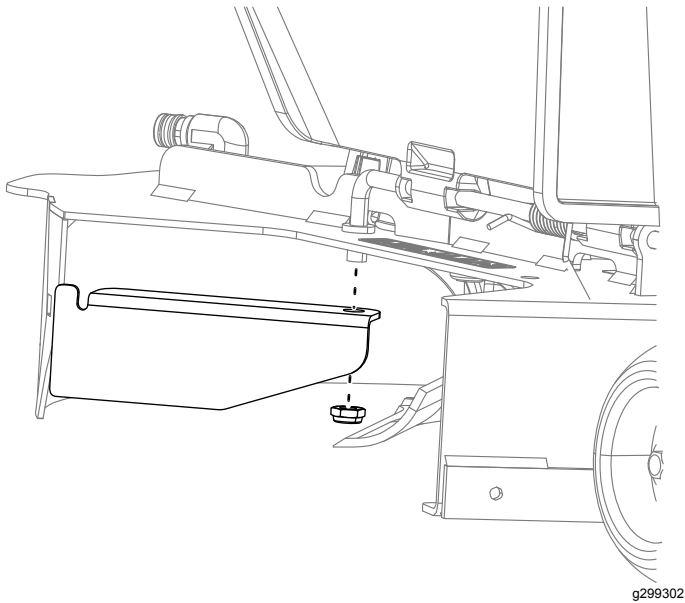


Figure 19
50-inch decks only

3. Rotate the baffle until it makes contact with the mower deck.

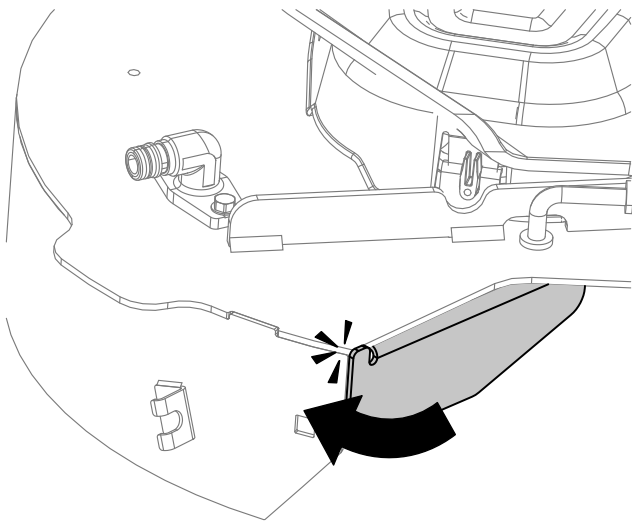


Figure 20

4. Tilt the chute and install the pin into the hole on the mower deck as shown in [Figure 21](#).

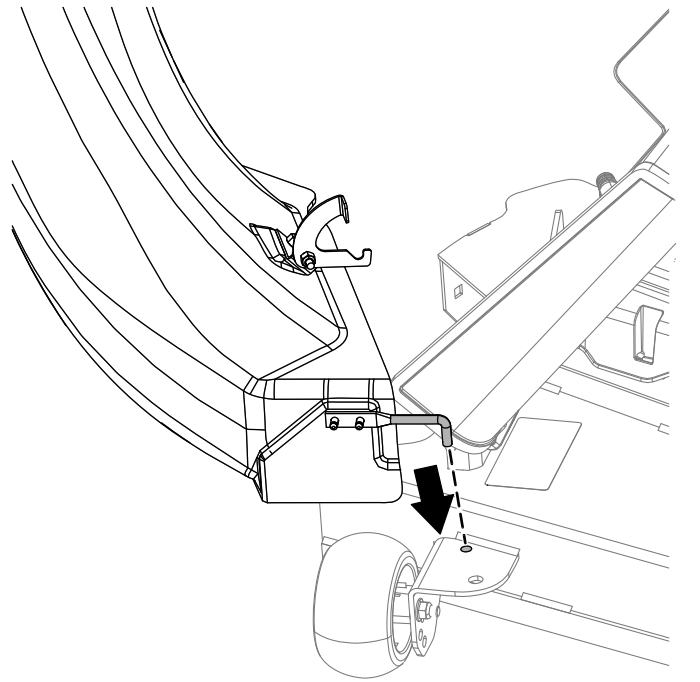


Figure 21

5. Pivot the chute back and toward the deck so the chute is flush with the mower deck.

Note: Ensure that the retaining hook on the chute is out of the way so the chute opening mounts flush to the deck.

6. On the top of the chute, engage the hook-shaped latch around the pivot rod of the deflector assembly and install the rod into the hole on the mower deck ([Figure 22](#)).

10

Connecting with the Discharge Tube

Parts needed for this procedure:

1	Discharge tube
---	----------------

Procedure

1. Slide the curved end of the discharge tube into the opening in the bagger top (Figure 24).

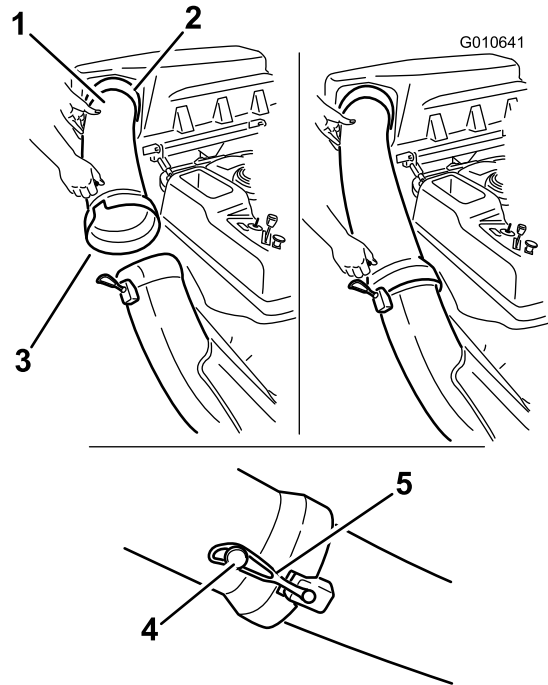


Figure 24

1. Discharge tube
2. Opening in bagger top
3. Discharge tube, flared end
4. Peg
5. Rubber strap

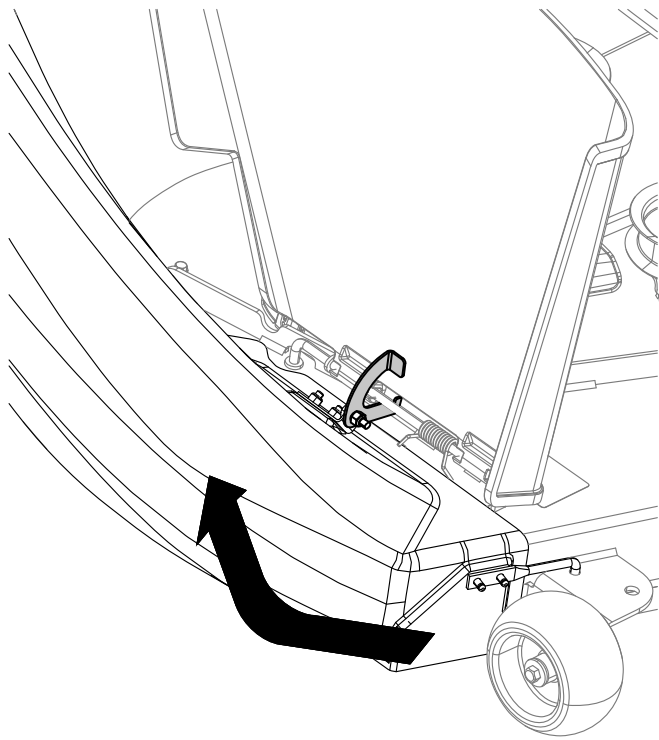


Figure 22

g300375

7. Hook the flexible latch on the chute to the retaining clasp welded on the mower deck (Figure 23).

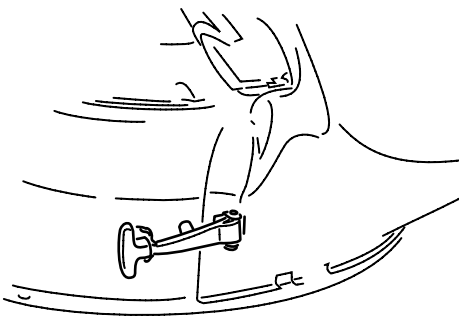
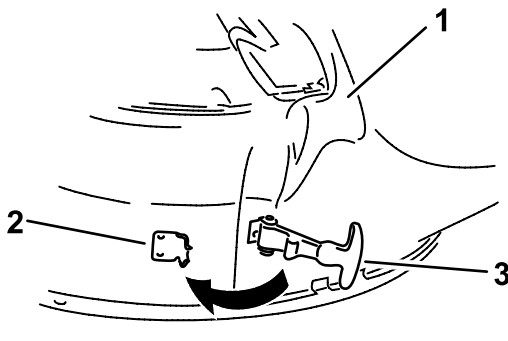


Figure 23

g299268

1. Chute
2. Retaining clasp
3. Flexible latch

2. Slide the flared end of the discharge tube over the end of the chute. Move the rubber retaining strap on the chute snaps over the peg on the discharge tube to secure it (Figure 24).
3. After the bagger installation, install the wire onto the spark plug(s).

Operation

Note: Determine the left and right sides of the machine from the normal operating position.

⚠ WARNING

To avoid personal injury, follow these procedures:

- Become familiar with all operating and safety instructions in the *Operator's Manual* for the mower before using this attachment.
- Never remove the discharge tube, bags, bagger top, or the chute while the engine is running.
- Always shut the engine off and wait for all moving parts to stop before clearing an obstruction from the bagging system.
- Never do maintenance or repairs while the engine is running.

Emptying the Grass Bags

⚠ WARNING

Debris, such as leaves, grass, or brush can catch fire. A fire in the engine area can cause personal injury and property damage.

- Keep the engine and muffler area free of debris accumulation.
- Take care when opening the bagger cover to keep debris from falling onto the engine and muffler area.
- Allow the machine to cool before storing it.

Be careful when lifting or handling a grass bag that is full. To empty the grass bags:

1. Park the machine on a level surface and disengage the blade control switch.
2. Move the motion control levers outward to the neutral lock position, shut off the engine, remove the key, set the parking brake and wait for all moving parts to stop before leaving the operating position.
3. Open (raise) the bagger top (Figure 25).

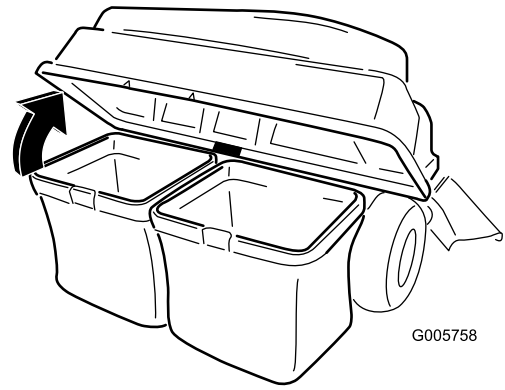


Figure 25

g005758

4. Compress debris into the bags. With both hands, lift up on the bag and unhook it from the retaining bracket. Empty the bag. Repeat the procedure for the other bag.

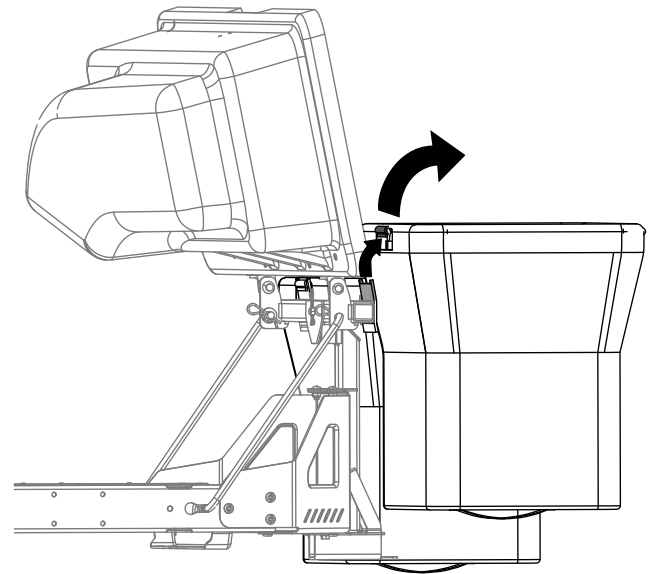


Figure 26

g300218

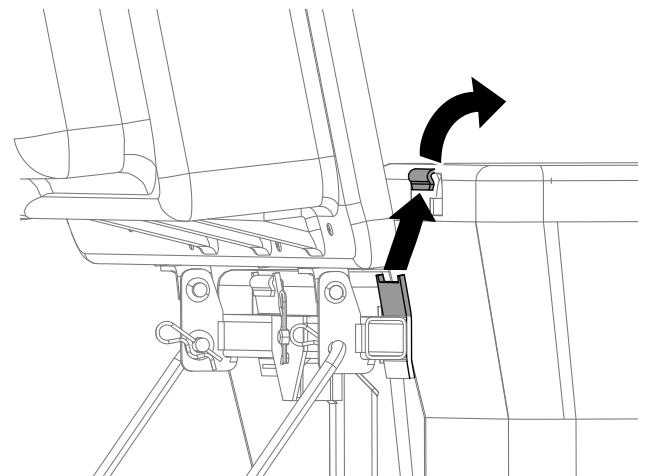


Figure 27

g300217

5. Install the bags by sliding the bag frame hooks onto the retaining brackets.
6. Lower the bagger top onto the bags.

Clearing Obstructions from the Bagger

⚠ WARNING

When the bagger is in operation, the blower is rotating and can cut off or injure hands and fingers.

- Before adjusting, cleaning, repairing and inspecting the blower, and before unclogging the chute, shut off the engine and wait for all moving parts to stop. Remove the key.
 - Use a stick or similar object, not your hands, to remove an obstruction from the blower and tube.
 - Keep your face, hands, feet, and any other part of your body or clothing away from concealed, moving, or rotating parts.
1. Park the machine on a level surface and disengage the blade control switch.
 2. Move the motion control levers outward to the neutral lock position, stop the engine, remove the key, set the parking brake and wait for all moving parts to stop before leaving the operating position.
 3. Check the grass bags and empty them if they are full.
 4. Remove and separate the discharge tube and chute from the bagger top and mower. Using a stick or similar object, carefully remove and clear the obstruction from the mower, discharge tube, chute, and the bagger top.
 5. After you remove the obstruction, install the complete bagger system and resume operation.

Removing the Bagger

⚠ CAUTION

Failing to remove the front bagger weights and operating the machine without the bagger attachment may cause an unstable condition which could result in a loss of control.

- Always remove the front weights when removing the bagger attachment.
- Never operate the machine without the bagger attachment and the front weights still installed.

The bagger can be removed by repeating the Setup sections from all installed bagger related kits in reverse order. If weights are installed, always remove the front bagger weights when removing the bagger attachments.

Note: It is only necessary to remove the cutoff baffle when installing a mulching kit.

Using the Draw Bar

The bagger support bracket has a draw bar feature that can be used for towing.

- Read and understand all the operating instructions of the machine.
- When turning, slow down and observe the clearance.
- Make wide turns and keep towed equipment clear of the towing vehicle.
- Excessive draw bar pull may cause hydrostatic transmission failure.

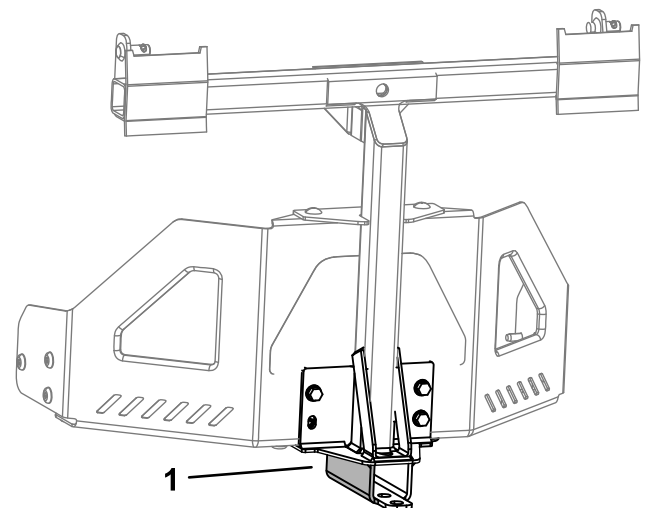


Figure 28

1. Bagger support bracket with draw bar

g300210

Operating Tips

Tips for Bagging

Remembering the Size

Remember that the machine is longer and wider with this attachment installed. By turning too sharply in confined places you may damage the attachment.

Trimming

Always trim with the left side of the mower. Do not trim with the right side of the mower because you could damage the bagger chute and discharge tube.

Cutting Height

Do not set the mower cutting height too low because long grass surrounding the mower can prevent air from getting under the mower and entering the bagging system. If not enough air gets under the mower, the bagging system will plug.

Cutting Frequency

Cut the grass often, especially when it grows rapidly. You will have to cut your grass twice if it gets excessively long.

Cutting Technique

For best lawn appearance, be sure to slightly overlap the mower into the previously cut area. This helps reduce the load on the engine and reduces the chance of plugging the chute and discharge tube.

Bagging Speed

Most often, you will bag with the mower throttle in the FAST position and drive at a normal ground speed. However, in extremely dry and dusty grass, you may want to slightly reduce the throttle speed and increase the ground speed of the mower. The bagging system may plug if you drive too fast and the engine speed gets too slow. On hills, it may be necessary to slow the mower ground speed. This helps maintain the engine speed and bagging efficiency. Mow downhill whenever possible.

⚠ CAUTION

As the bagger fills, extra weight is added to the back of the machine. If you stop and start the machine suddenly on hills, you may lose steering control or the machine may tip.

- **Do not start or stop suddenly when going uphill or downhill. Avoid uphill starts.**
- **If you do stop the machine when going uphill, disengage the blade control. Then back down the hill using a slow speed.**
- **Avoid sudden turns or rapid speed changes on slopes.**
- **Never operate the machine without the bagger attachment and the front weights still installed.**

Bagging Long Grass

Excessively long grass is heavy and may not be propelled completely into the grass bags. If this happens, the discharge tube and chute may plug. To avoid plugging the bagging system, mow the grass at a high height of cut, then lower the mower to your normal cutting height and repeat the bagging process.

Bagging Wet Grass

Always try to cut grass when it is dry because your lawn will have a neat appearance. If you must cut wet grass, use the conventional side discharge feature of the mower. Several hours later, when the clippings are dry, install the complete bagger attachment and vacuum up the grass clippings.

Signs of Plugging

As you are bagging, a small amount of grass clippings normally blow out the front of the mower. An excessive amount of clippings blowing out indicates that the bags are full or the system is plugged.

Maintenance

Note: Determine the left and right sides of the machine from the normal operating position.

Recommended Maintenance Schedule(s)

Maintenance Service Interval	Maintenance Procedure
After the first 10 hours	<ul style="list-style-type: none">• Inspect the bagger.
Before each use or daily	<ul style="list-style-type: none">• Clean the bagger.
Before storage	<ul style="list-style-type: none">• Inspect the bagger.• Clean the bagger.

⚠ WARNING

If you leave the key in the ignition switch, someone could accidentally start the engine and seriously injure you or other bystanders.

Remove the key from the ignition and disconnect the wire from the spark plug before you do any maintenance. Set the wire aside so that it does not accidentally contact the spark plug.

⚠ WARNING

Engines can become hot when they are operating. Burns can occur from contacting hot surfaces.

Allow engines, especially the muffler, to cool before touching.

⚠ WARNING

Debris, such as leaves, grass, or brush can catch fire. A fire in the engine area can cause personal injury and property damage.

- Keep the engine and muffler area free of debris accumulation.
- Take care when opening the bagger cover to keep debris from falling onto the engine and muffler area.
- Allow the machine to cool before storing it.

Inspecting the Bagger Attachment

Service Interval: After the first 10 hours

Before storage

1. Check the chute, discharge tube, and the bagger top. Replace these parts if they are cracked or broken.
2. Tighten all nuts, bolts, and screws.
3. Inspect all fasteners and latches; replace any missing or damaged.
4. Inspect the grass bags for deterioration.

⚠ WARNING

You or bystanders could be severely injured by flying debris or thrown objects that may pass through torn, worn, or deteriorated grass bags.

- Check the grass bags for holes, rips, wear, and other deterioration.
- Do not wash the grass bags.
- If the bag has deteriorated, install new grass bags supplied by the manufacturer of this bagger attachment.

Inspecting the Mower Blades

Inspect the mower blades regularly and whenever a blade strikes a foreign object.

If the blades are badly worn or damaged, install new blades. Refer to your mower or mower *Operator's Manual* for complete blade maintenance.

Cleaning the Bagger Attachment

Service Interval: Before each use or daily

Before storage

1. After each use, remove and wash the inside and outside of the bagger top, discharge tube, chute, and the underside of the mower, using water sprayed from a garden hose. Use a mild detergent to remove stubborn dirt.
2. Make sure you remove matted grass from all parts.
3. Flush the grass bags with water using garden hose to remove any debris.
4. After washing, let all of the parts dry thoroughly.

Storage

Storing the Bagger Attachment

Note: To prevent rapid deterioration of the bag material, store the bags where they will dry completely after each use.

1. Clean the bagger attachment; refer to Cleaning the Bagger Attachment.
2. Inspect the bagger attachment for damage; refer to Inspecting the Bagger Attachment.
3. Make sure the grass bags are empty and thoroughly dry.
4. Store the bagger in a clean, dry place, out of direct sunlight. This protects the plastic parts and extends the life of the bagger. If you must store the bagger outside, cover it with a weatherproof cover.

California Proposition 65 Warning Information

What is this warning?

You may see a product for sale that has a warning label like the following:



WARNING: Cancer and Reproductive Harm—www.p65Warnings.ca.gov.

What is Prop 65?

Prop 65 applies to any company operating in California, selling products in California, or manufacturing products that may be sold in or brought into California. It mandates that the Governor of California maintain and publish a list of chemicals known to cause cancer, birth defects, and/or other reproductive harm. The list, which is updated annually, includes hundreds of chemicals found in many everyday items. The purpose of Prop 65 is to inform the public about exposure to these chemicals.

Prop 65 does not ban the sale of products containing these chemicals but instead requires warnings on any product, product packaging, or literature with the product. Moreover, a Prop 65 warning does not mean that a product is in violation of any product safety standards or requirements. In fact, the California government has clarified that a Prop 65 warning "is not the same as a regulatory decision that a product is 'safe' or 'unsafe.'" Many of these chemicals have been used in everyday products for years without documented harm. For more information, go to <https://oag.ca.gov/prop65/faqs-view-all>.

A Prop 65 warning means that a company has either (1) evaluated the exposure and has concluded that it exceeds the "no significant risk level"; or (2) has chosen to provide a warning based on its understanding about the presence of a listed chemical without attempting to evaluate the exposure.

Does this law apply everywhere?

Prop 65 warnings are required under California law only. These warnings are seen throughout California in a wide range of settings, including but not limited to restaurants, grocery stores, hotels, schools, and hospitals, and on a wide variety of products. Additionally, some online and mail order retailers provide Prop 65 warnings on their websites or in catalogs.

How do the California warnings compare to federal limits?

Prop 65 standards are often more stringent than federal and international standards. There are various substances that require a Prop 65 warning at levels that are far lower than federal action limits. For example, the Prop 65 standard for warnings for lead is 0.5 µg/day, which is well below the federal and international standards.

Why don't all similar products carry the warning?

- Products sold in California require Prop 65 labelling while similar products sold elsewhere do not.
- A company involved in a Prop 65 lawsuit reaching a settlement may be required to use Prop 65 warnings for its products, but other companies making similar products may have no such requirement.
- The enforcement of Prop 65 is inconsistent.
- Companies may elect not to provide warnings because they conclude that they are not required to do so under Prop 65; a lack of warnings for a product does not mean that the product is free of listed chemicals at similar levels.

Why does Toro include this warning?

Toro has chosen to provide consumers with as much information as possible so that they can make informed decisions about the products they buy and use. Toro provides warnings in certain cases based on its knowledge of the presence of one or more listed chemicals without evaluating the level of exposure, as not all the listed chemicals provide exposure limit requirements. While the exposure from Toro products may be negligible or well within the "no significant risk" range, out of an abundance of caution, Toro has elected to provide the Prop 65 warnings. Moreover, if Toro does not provide these warnings, it could be sued by the State of California or by private parties seeking to enforce Prop 65 and subject to substantial penalties.



Count on it.