

Deck Lift Assist Kit

Zero-Turn-Radius Riding Mower

Model No. 140-5123

Installation Instructions

Installation

Loose Parts

Use the chart below to verify that all parts have been shipped.

Procedure	Description	Qty.	Use
1	No parts required	–	Prepare the machine.
2	Extension spring Short shoulder bolt Nut Long shoulder bolt	1 1 1 1	Install the kit.

1

Preparing the Machine

No Parts Required

Procedure

1. Park the machine on a level surface.
2. Disengage the blade-control switch.
3. Engage the parking brake.
4. Shut off the engine and remove the key.

2

Installing the Kit

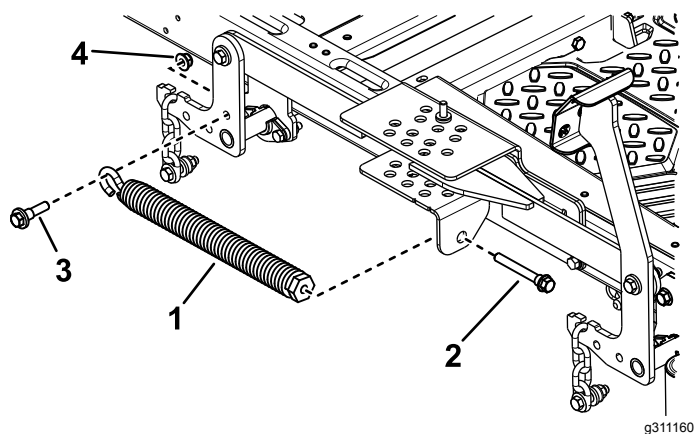
Parts needed for this procedure:

1	Extension spring
1	Short shoulder bolt
1	Nut
1	Long shoulder bolt

Procedure

1. Move the mower deck to the lowest height-of-cut position.
2. Install the short shoulder bolt and nut onto the deck-lift lever ([Figure 1](#)). Torque it to 37 to 45 N·m (324 to 396 in-lb).





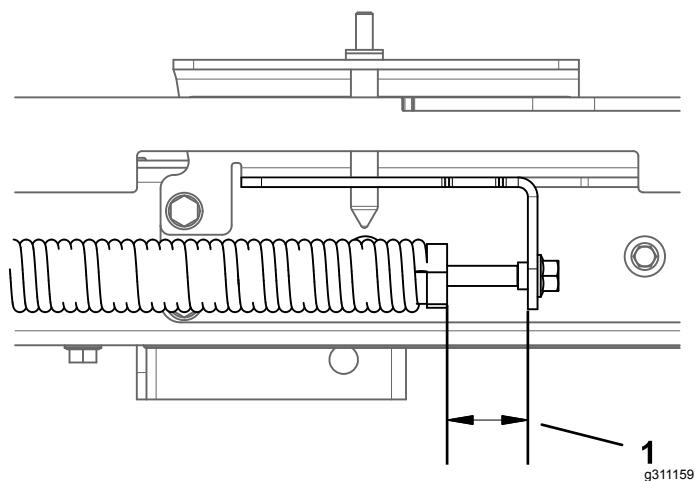
g311160

Figure 1

- 1. Extension spring
- 2. Long shoulder bolt
- 3. Short shoulder bolt
- 4. Nut

3. Place the hook end of the extension spring over the shoulder bolt (Figure 1).
4. Install the long shoulder through the height-of-cut plate and into the extension spring (Figure 1).
5. Adjust the spring tension to the appropriate distance between the spring adjuster and the height-of-cut plate for your machine (Figure 2); refer to the following table.

Deck size	Distance
122 cm (48 inch)	3.8 cm (1-1/2 inch)
137 cm (54 inch)	1.3 cm (1/2 inch)
152 cm (60 inch)	1.3 cm (1/2 inch)



g311159

Figure 2

- 1. Distance