



EN TimeMaster® 76cm Lawn Mower

21810, 21811

DE TimeMaster® Rasenmäher (76 cm)

21810, 21811

FR Tondeuse TimeMaster® de 76 cm

21810, 21811

NL TimeMaster® 76 cm gazonmaaier

21810, 21811





TimeMaster® 76cm Lawn Mower

Model No. 21810—Serial No. 406474884 and Up

Model No. 21811—Serial No. 405541084 and Up

Operator's Manual

Introduction

This rotary-blade, walk-behind lawn mower is intended to be used by residential homeowners. It is designed primarily for cutting grass on well-maintained lawns on residential properties. Using this product for purposes other than its intended use could prove dangerous to you and bystanders.

Read this information carefully to learn how to operate and maintain your product properly and to avoid injury and product damage. You are responsible for operating the product properly and safely.

Visit www.Toro.com for more information, including safety tips, training materials, accessory information, help finding a dealer, or to register your product.

Whenever you need service, genuine Toro parts, or additional information, contact an Authorized Service Dealer or Toro Customer Service and have the model and serial numbers of your product ready. **Figure 1** identifies the location of the model and serial numbers on the product. Write the numbers in the space provided.

Important: With your mobile device, you can scan the QR code on the serial number decal (if equipped) to access warranty, parts, and other product information

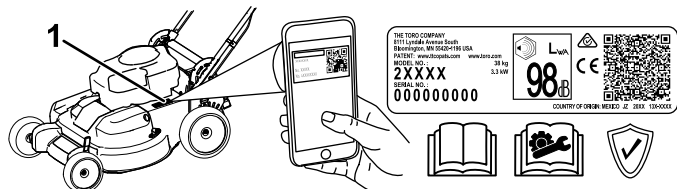


Figure 1

g308051

1. Model and serial number location

Model No. _____
Serial No. _____

This manual identifies potential hazards and has safety messages identified by the safety-alert symbol (**Figure 2**), which signals a hazard that may cause

serious injury or death if you do not follow the recommended precautions.



Figure 2
Safety-alert symbol

g000502

This manual uses 2 words to highlight information. **Important** calls attention to special mechanical information and **Note** emphasizes general information worthy of special attention.

This product complies with all relevant European directives; for details, please see the separate product specific Declaration of Conformity (DOC) sheet.

Gross or Net Torque: The gross or net torque of this engine was laboratory rated by the engine manufacturer in accordance with the Society of Automotive Engineers (SAE) J1940 or J2723. As configured to meet safety, emission, and operating requirements, the actual engine torque on this class of mower will be significantly lower. Please refer to the engine manufacturer's information included with the machine.

Do not tamper with or disable safety devices on the machine, and check their proper operation regularly. Do not attempt to adjust or tamper with the engine speed control; doing so may create an unsafe operating condition, resulting in personal injury.



Contents

Introduction	1
Safety	3
General Safety	3
Safety and Instructional Decals	4
Setup	5
1 Assembling and Unfolding the Handle	5
2 Installing the Blade-Control Bar	5
3 Adding Oil to the Engine	6
4 Assembling the Grass Bag	7
5 Charging the Battery	7
Product Overview	8
Specifications	9
Attachments/Accessories	9
Operation	9
Before Operation	9
Before Operation Safety	9
Filling the Fuel Tank	10
Checking the Engine-Oil Level	11
Adjusting the Handle Height	11
Adjusting the Cutting Height	12
During Operation	12
During Operation Safety	12
Starting the Engine	13
Using the Self-Propel Drive	15
Shutting Off the Engine	16
Engaging the Blades	16
Disengaging the Blades	16
Checking the Blade-Stop System Operation	17
Recycling the Clippings	17
Bagging the Clippings	18
Side-Discharging the Clippings	18
Operating Tips	19
After Operation	19
After Operation Safety	19
Cleaning under the Machine	19
Maintenance	21
Recommended Maintenance Schedule(s)	21
Maintenance Safety	21
Preparing for Maintenance	21
Servicing the Air Filter	22
Changing the Engine Oil	22
Charging the Battery	23
Replacing the Fuse	24
Replacing the Battery	24
Adjusting the Self-Propel Drive	25
Servicing the Blade-Drive System	25
Servicing the Blades	26
Checking for Bent Blades	27
Removing the Blades	28
Installing the Blades	28
Storage	30
Storage Safety	30
General Information	30
Preparing the Fuel System	30
Preparing the Engine	30

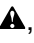
Safety

This machine has been designed in accordance with EN ISO 5395.

General Safety

This product is capable of amputating hands and feet and of throwing objects. Always follow all safety instructions to avoid serious personal injury.

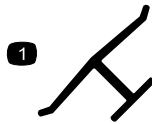
- Read, understand, and follow the instructions and warnings in this *Operator's Manual* and on the machine and attachments before starting the engine.
- Do not put your hands or feet near moving parts or under the machine. Keep clear of any discharge opening.
- Do not operate the machine without all guards and other safety protective devices in place and functioning properly on the machine.
- Keep bystanders and children out of the operating area. Do not allow children to operate the machine. Allow only people who are responsible, trained, familiar with the instructions, and physically capable to operate the machine.
- Stop the machine, shut off the engine, remove the ignition key (if equipped), and wait for all moving parts to stop before servicing, fueling, or unclogging the machine.

Improperly using or maintaining this machine can result in injury. To reduce the potential for injury, comply with these safety instructions and always pay attention to the safety-alert symbol , which means Caution, Warning, or Danger—personal safety instruction. Failure to comply with these instructions may result in personal injury or death.

Safety and Instructional Decals



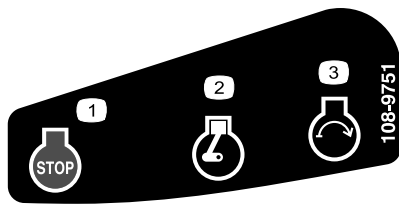
Safety decals and instructions are easily visible to the operator and are located near any area of potential danger. Replace any decal that is damaged or missing.



decal0emmark

Manufacturer's Mark

1. This mark indicates that the blade is identified as a part from the original machine manufacturer.

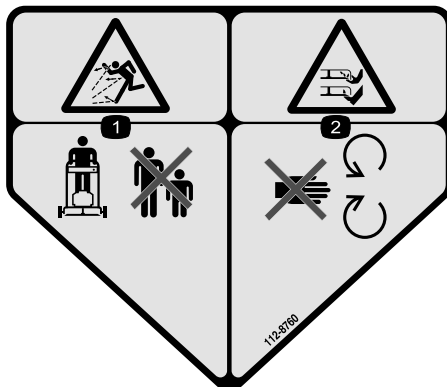


decal108-9751

108-9751

Electric-Start Model Only

1. Engine—stop (shut off)
2. Engine—run
3. Engine—start



decal112-8760

112-8760

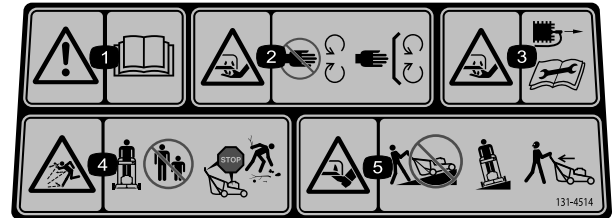
1. Thrown object hazard—keep bystanders away.
2. Cutting/dismemberment hazard of hand or foot, mower blade—stay away from moving parts.



decal120-9570

120-9570

1. Warning—stay away from moving parts; keep all guards and shields in place.



decal131-4514

131-4514

1. Warning—read the *Operator's Manual*.
2. Cutting/dismemberment hazard of hand, mower blade—stay away from moving parts; keep all guards and shields in place.
3. Cutting/dismemberment hazard of hand, mower blade—disconnect the spark-plug wire before performing maintenance.
4. Thrown object hazard—keep bystanders away; shut off the engine before leaving the operating position; pick up any debris before mowing.
5. Cutting/dismemberment hazard of foot, mower blade—do not operate up and down slopes; operate side to side on slopes; look behind you when moving in reverse.

Electric-start model only



decal140-4357

140-4357

1. Warning—read the *Operator's Manual* for battery information; do not discard the lead battery.
2. Attention—read the *Operator's Manual* for battery charging information.

Setup

Important: Remove and discard the protective plastic sheet that covers the engine and any other plastic or wrapping on the machine.

Important: To prevent accidental starting, do not insert the key into the electric-start ignition (if equipped) until you are ready to start the engine.

1

Assembling and Unfolding the Handle

No Parts Required

Procedure

⚠ WARNING

Assembling and unfolding the handle improperly can damage the cables, causing an unsafe operating condition.

- Do not damage the cables when unfolding the handle.
- If a cable is damaged, contact an Authorized Service Dealer.

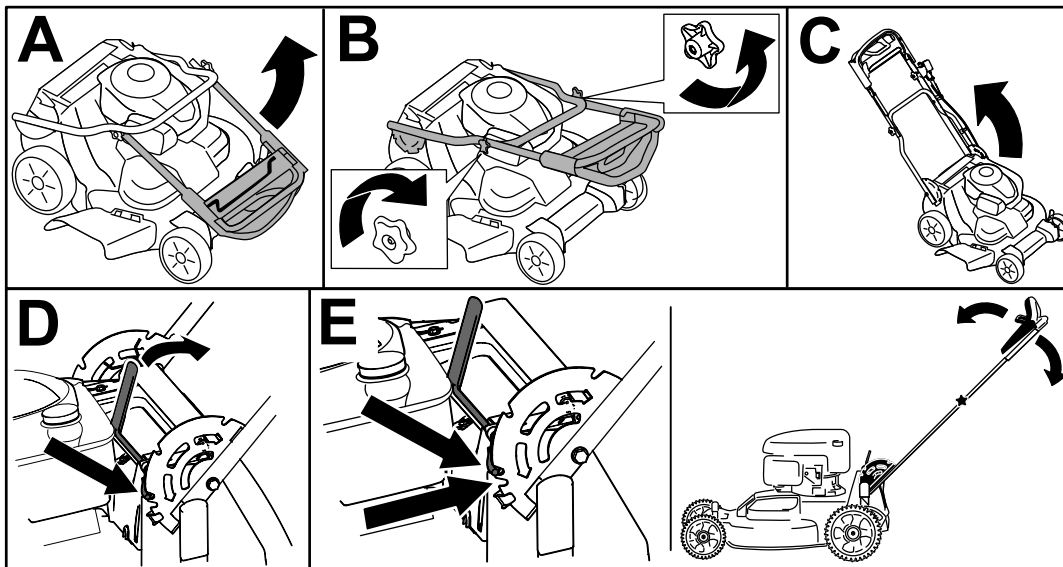


Figure 3

g224528

2

Installing the Blade-Control Bar

No Parts Required

Procedure

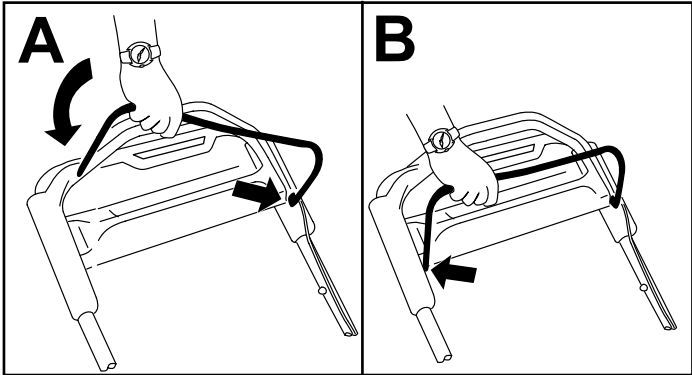


Figure 4

g225133

3

Adding Oil to the Engine

No Parts Required

Procedure

Important: If the oil level in the engine is too low or too high and you run the engine, you may damage the engine.

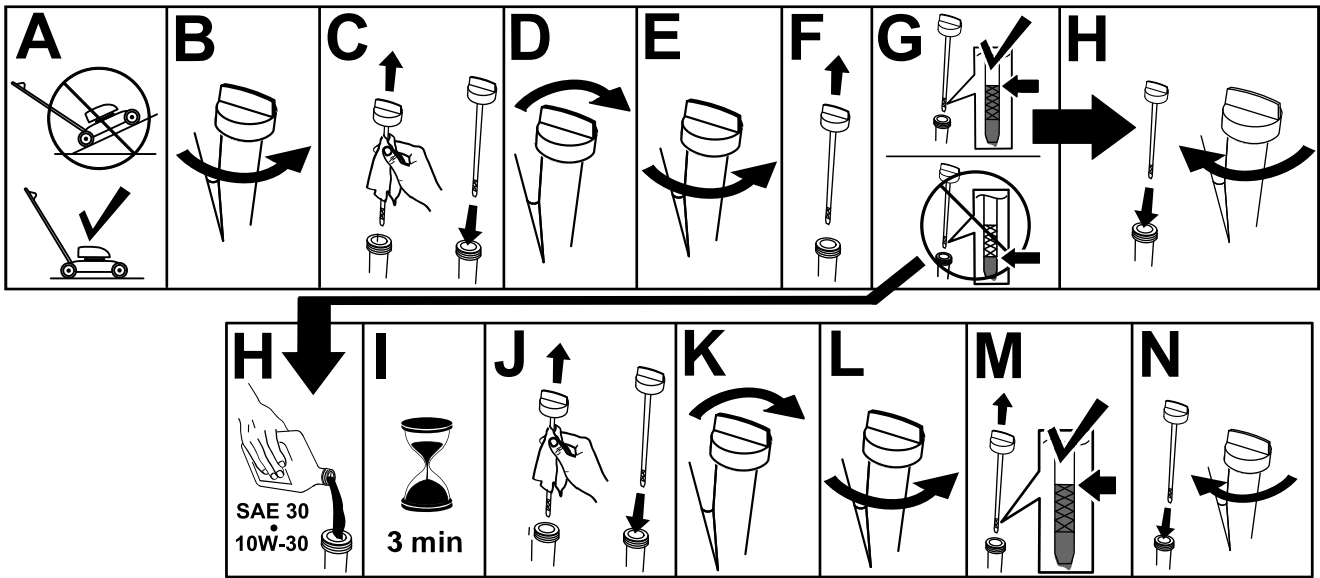


Figure 5

g222533

4

Assembling the Grass Bag

No Parts Required

Procedure

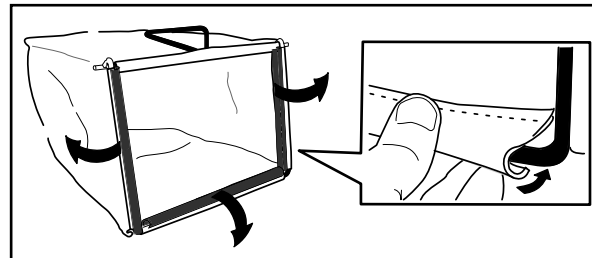


Figure 6

g230447

5

Charging the Battery

No Parts Required

Procedure

Electric-Start Model Only

Refer to [Charging the Battery \(page 23\)](#).

Product Overview

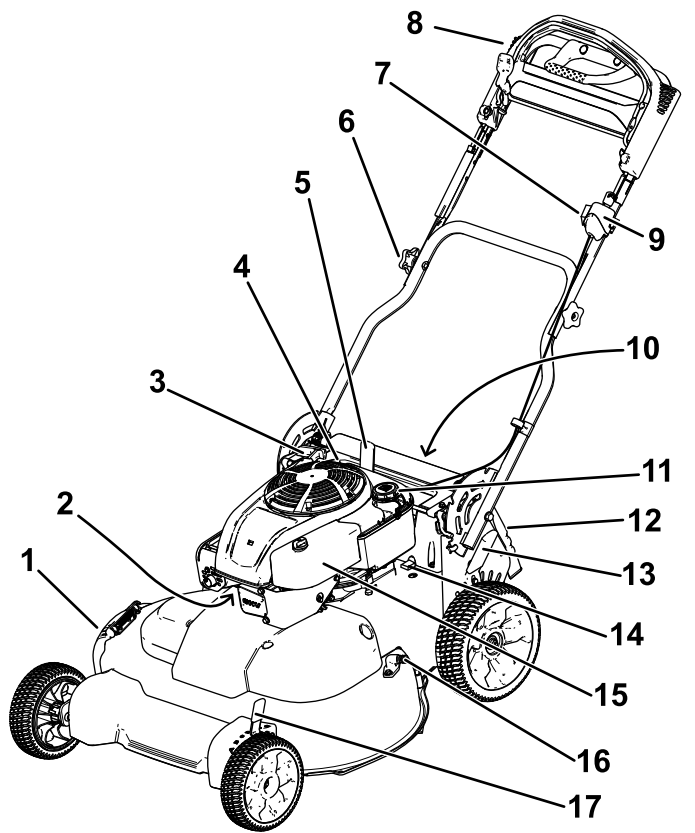
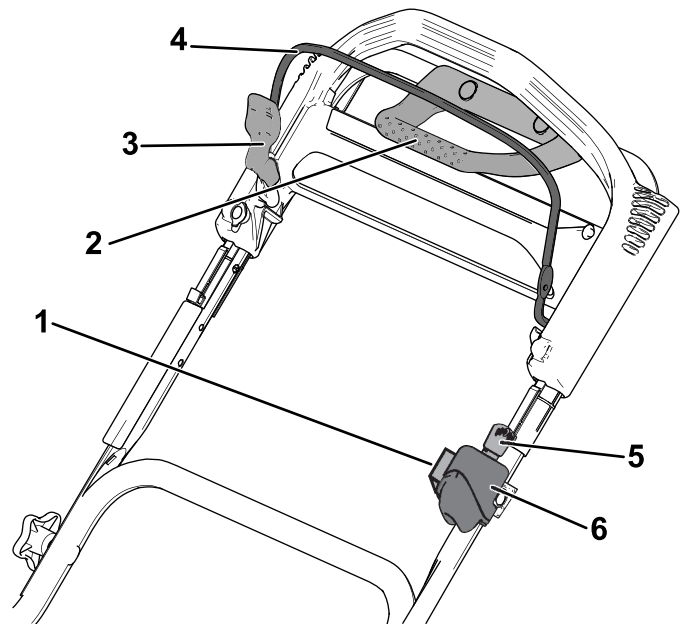


Figure 7

g289302

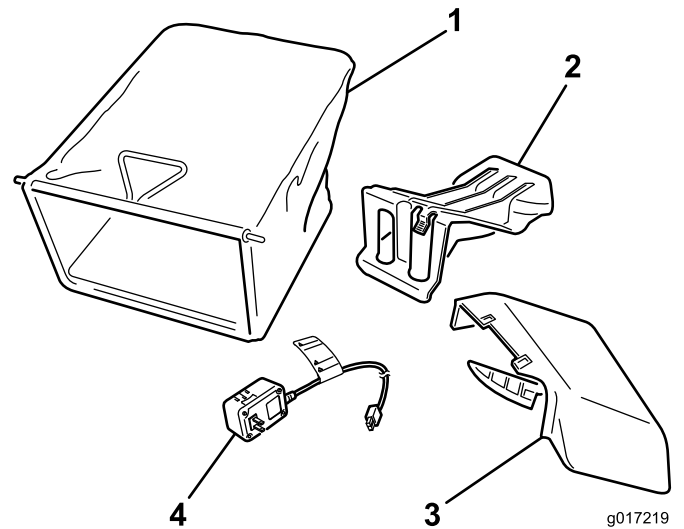
- | | |
|---------------------------------------------------------------------------------------|----------------------------------------------------|
| 1. Side-discharge deflector | 10. Battery (electric-start model only; not shown) |
| 2. Spark plug | 11. Fuel-tank cap |
| 3. Recoil-start handle | 12. Rear deflector |
| 4. Oil fill/dipstick | 13. Rear cutting-height lever |
| 5. Handle-lock lever | 14. Fuse |
| 6. Handle knob (2) | 15. Air filter |
| 7. Adjustment for the self-propel drive | 16. Washout port |
| 8. Upper handle | 17. Front cutting-height lever |
| 9. Ignition switch (electric-start model only) or toggle switch (standard model only) | |



g289303

Figure 8
Upper handle

- | | |
|-----------------------------------------|---------------------------------------------------------------------------------------|
| 1. Adjustment for the self-propel drive | 4. Blade-control bar |
| 2. Traction-assist handle | 5. Ignition key (electric-start model only) |
| 3. Blade-control-bar lock | 6. Ignition switch (electric-start model only) or toggle switch (standard model only) |



g017219

g017219

Figure 9

- | | |
|------------------------------------|------------------------------------------------|
| 1. Grass bag | 3. Side-discharge chute |
| 2. Rear-discharge plug (installed) | 4. Battery charger (electric-start model only) |

Specifications

Model	Weight	Length	Width	Height
21810	64 kg (140 lb)	165 cm	81 cm	114 cm
21811	66 kg (145 lb)	(65 inches)	(32 inches)	(45 inches)

Attachments/Accessories

A selection of Toro approved attachments and accessories is available for use with the machine to enhance and expand its capabilities. Contact your Authorized Service Dealer or authorized Toro distributor or go to www.Toro.com for a list of all approved attachments and accessories.

To ensure optimum performance and continued safety certification of the machine, use only genuine Toro replacement parts and accessories. Replacement parts and accessories made by other manufacturers could be dangerous, and such use could void the product warranty.

Operation

Note: Determine the left and right sides of the machine from the normal operating position.

Before Operation

Before Operation Safety

General Safety

- Always shut off the machine, remove the ignition key (if equipped), wait for all moving parts to stop, and allow the machine to cool before adjusting, servicing, cleaning, or storing it.
- Become familiar with the safe operation of the equipment, operator controls, and safety signs.
- Check that all guards and safety devices, such as deflectors and/or grass catcher, are in place and functioning properly.
- Always inspect the machine to ensure that the blades and blade bolts are not worn or damaged.
- Inspect the area where you will use the machine, and remove all objects that could interfere with the operation of the machine or that the machine could throw.
- Contact with the moving blade will cause serious injury. Do not put your fingers under the housing when adjusting the cutting height.

Fuel Safety

- Fuel is extremely flammable and highly explosive. A fire or explosion from fuel can burn you and others and can damage property.
 - To prevent a static charge from igniting the fuel, place the container and/or machine directly on the ground before filling, not in a vehicle or on an object.
 - Fill the fuel tank outdoors, in an open area, when the engine is cold. Wipe up any fuel that spills.
 - Do not handle fuel when smoking or around an open flame or sparks.
 - Do not remove the fuel cap or add fuel to the tank while the engine is running or hot.
 - If you spill fuel, do not attempt to start the engine. Avoid creating a source of ignition until the fuel vapors have dissipated.
 - Store fuel in an approved container and keep it out of the reach of children.
- Fuel is harmful or fatal if swallowed. Long-term exposure to vapors can cause serious injury and illness.
 - Avoid prolonged breathing of vapors.
 - Keep your hands and face away from the nozzle and the fuel-tank opening.
 - Keep fuel away from your eyes and skin.

Filling the Fuel Tank

- For best results, use only clean, fresh, unleaded gasoline with an octane rating of 87 or higher ((R+M)/2 rating method).
- Oxygenated fuel with up to 10% ethanol or 15% MTBE by volume is acceptable.
- **Do not** use ethanol blends of gasoline, such as E15 or E85, with more than 10% ethanol by volume. Performance problems and/or engine damage may result, which may not be covered under the warranty.
- **Do not** use gasoline containing methanol.
- **Do not** store fuel either in the fuel tank or in fuel containers over the winter unless fuel stabilizer has been added to the fuel.
- **Do not** add oil to gasoline.

Fill the fuel tank with fresh unleaded regular gasoline from a major name-brand service station.

Important: To reduce starting problems, add fuel stabilizer/conditioner to fresh fuel as directed by the fuel-stabilizer manufacturer.

1. Clean around the fuel-tank cap and remove the cap from the tank.

Important: This machine is equipped with a premium fuel tank that uses a foam insert to prevent fuel agitation. Never remove the foam element, because it allows the engine to use all the fuel in the tank (A of Figure 10).

Note: Do not fill the fuel tank above the bottom of the fuel-tank neck (B of Figure 10).

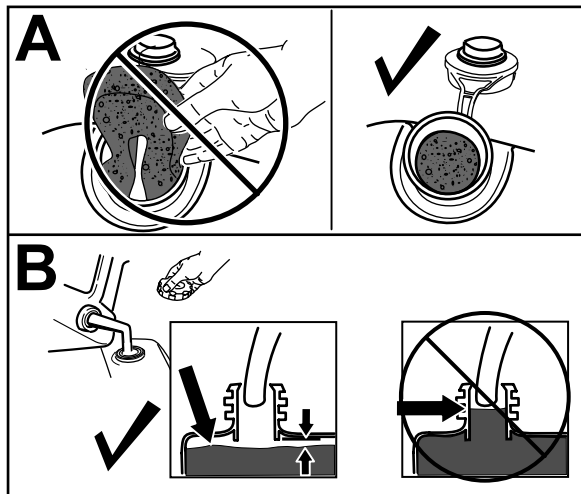


Figure 10

g234916

2. Install the fuel-tank cap and tighten it securely by hand.

Checking the Engine-Oil Level

Service Interval: Before each use or daily

Important: If the oil level in the crankcase is too low or too high and you run the engine, you may damage the engine.

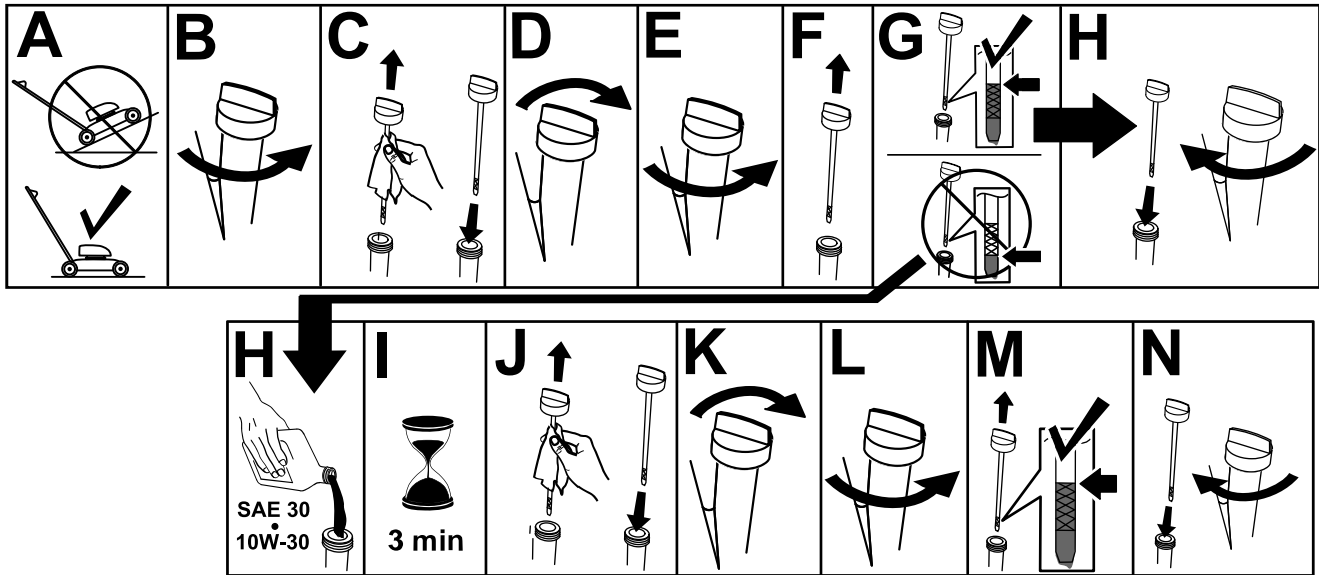


Figure 11

g222533

Adjusting the Handle Height

You may raise or lower the handle to a position comfortable for you.

Pull the handle-lock lever rearward to disengage the handle-lock pins, move the handle to 1 of 4 positions, and release the handle-lock lever to secure the handle in place. (Figure 12).

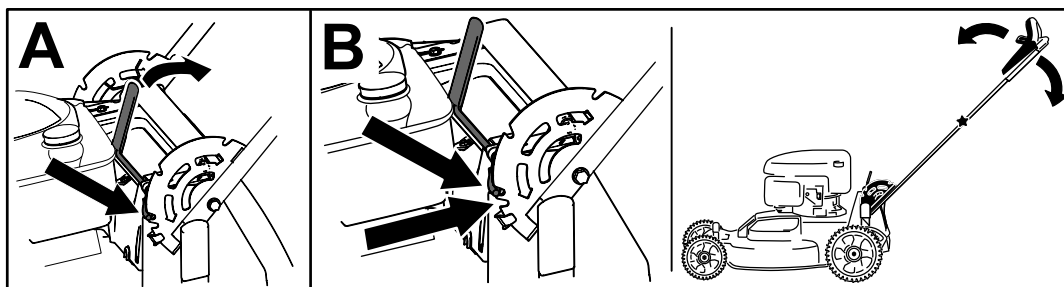


Figure 12

g273086

Adjusting the Cutting Height

⚠ CAUTION

If the engine has been running, the muffler will be hot and can burn you.

Keep away from the hot muffler.

Note: To raise the machine, move the front and rear cutting-height levers forward; to lower the machine, move the cutting-height levers rearward. Set all the wheels to the same height unless special circumstances require otherwise; refer to [Operating Tips](#) (page 19).

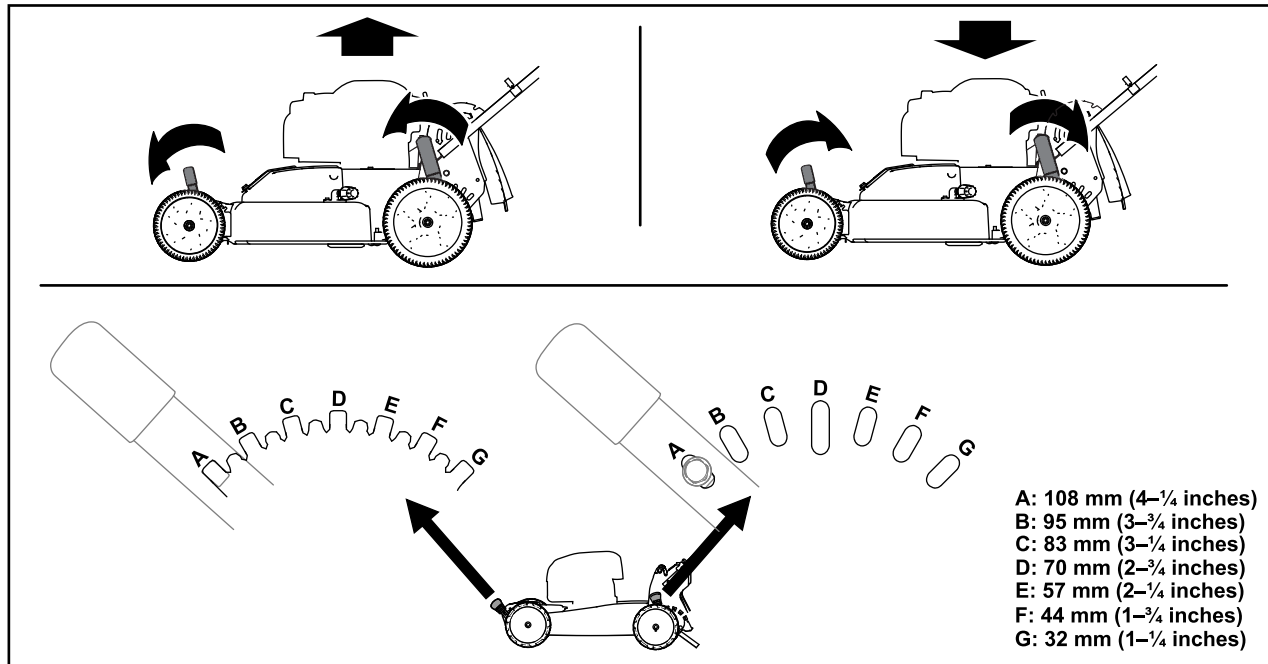


Figure 13

g224172

During Operation

During Operation Safety

General Safety

- Wear appropriate clothing, including eye protection; long pants; substantial, slip-resistant footwear; and hearing protection. Tie back long hair and do not wear loose clothing or loose jewelry.
- Use your full attention while operating the machine. Do not engage in any activity that causes distractions; otherwise, injury or property damage may occur.
- Do not operate the machine while ill, tired, or under the influence of alcohol or drugs.
- The blade is sharp; contacting the blade can result in serious personal injury. Shut off the engine, remove the ignition key (electric-start model only), and wait for all moving parts to stop before leaving the operating position.
- When you release the blade-control bar, the engine should shut off and the blade should stop within 3 seconds. If not, stop using your machine immediately and contact an Authorized Service Dealer.
- Keep bystanders out of the operating area. Keep small children out of the operating area and under the watchful care of a responsible adult who is not operating the machine. Stop the machine if anyone enters the area.
- Always look down and behind you before moving the machine in reverse.
- Operate the machine only in good visibility and appropriate weather conditions. Do not operate the machine when there is the risk of lightning.
- Wet grass or leaves can cause serious injury if you slip and contact the blade. Avoid mowing in wet conditions.

- Use extreme care when approaching blind corners, shrubs, trees, or other objects that may block your view.
- Do not direct the discharge material toward anyone. Avoid discharging material against a wall or obstruction; material may ricochet toward you. Stop the blade(s) when crossing gravel surfaces.
- Watch for holes, ruts, bumps, rocks, or other hidden objects. Uneven terrain could cause you to lose your balance or footing.
- If the machine strikes an object or starts to vibrate, immediately shut off the engine, remove the ignition key (if equipped), wait for all moving parts to stop, and disconnect the wire from the spark plug before examining the machine for damage. Make all necessary repairs before resuming operation.
- Before leaving the operating position, shut off the engine, remove the ignition key (electric-start model only), and wait for all moving parts to stop.
- If the engine has been running, it will be hot and can severely burn you. Keep away from the hot engine.
- Operate the engine only in well-ventilated areas. Exhaust gases contain carbon monoxide, which is lethal if inhaled.
- Check the grass catcher components and the discharge chute frequently for any wear or deterioration and replace them with genuine Toro parts when necessary.

Slope Safety

- Mow across the face of slopes; never up and down. Use extreme caution when changing direction on slopes.
- Do not mow on excessively steep slopes. Poor footing could cause a slip-and-fall accident.
- Mow with caution near drop-offs, ditches, or embankments.

Starting the Engine

Standard Model

Pull the recoil handle slowly until you feel resistance, then pull it sharply. Allow the rope to return to the engine slowly.

Note: If the machine does not start after several attempts, contact an Authorized Service Dealer.

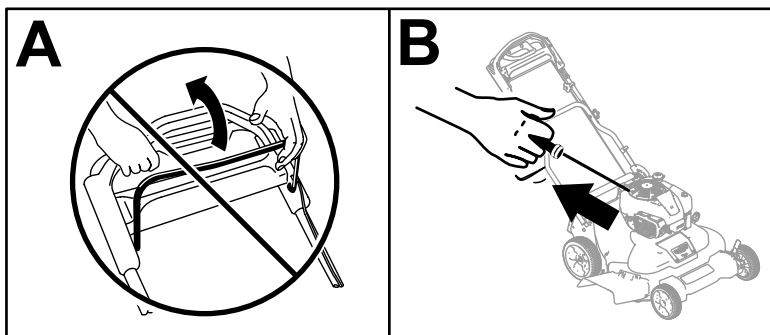


Figure 14

g234917

Electric-start Model

You can start the engine on an electric-start model by using either the ignition key or the recoil-start handle.

- **Ignition Key:**
 1. Charge the battery for 24 hours before using the machine for the first time (A of [Figure 15](#)).

Important: Do not attempt to start the engine with the blade-control bar engaged; otherwise, you may blow the fuse (B of [Figure 15](#)).

 2. Insert the ignition key into the ignition (C of [Figure 15](#)).
 3. Turn and hold the ignition key to the Start position; when the engine starts, release the key (D of [Figure 15](#)).

Note: Do not hold the ignition key in the Start position for longer than 5 seconds to prevent burning out the starter motor.

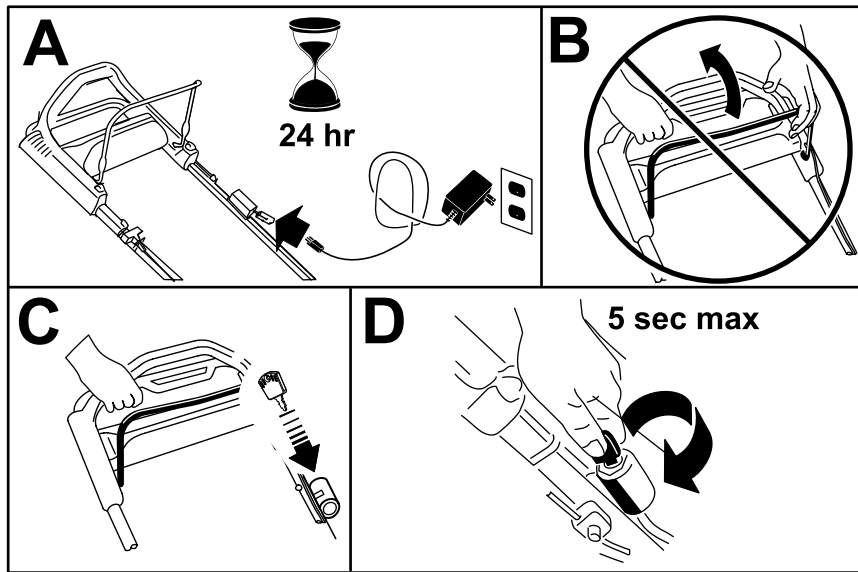


Figure 15

g234919

- **Recoil-Start Handle:**

1. Turn the ignition key to the RUN position (A of [Figure 16](#)).

Important: Do not attempt to start the engine with the blade-control bar engaged; otherwise, you may blow the fuse (B of [Figure 16](#)).

2. Pull the recoil handle slowly to the rear until you feel resistance, then pull sharply (C of [Figure 16](#)). Allow the rope to return to the engine slowly.

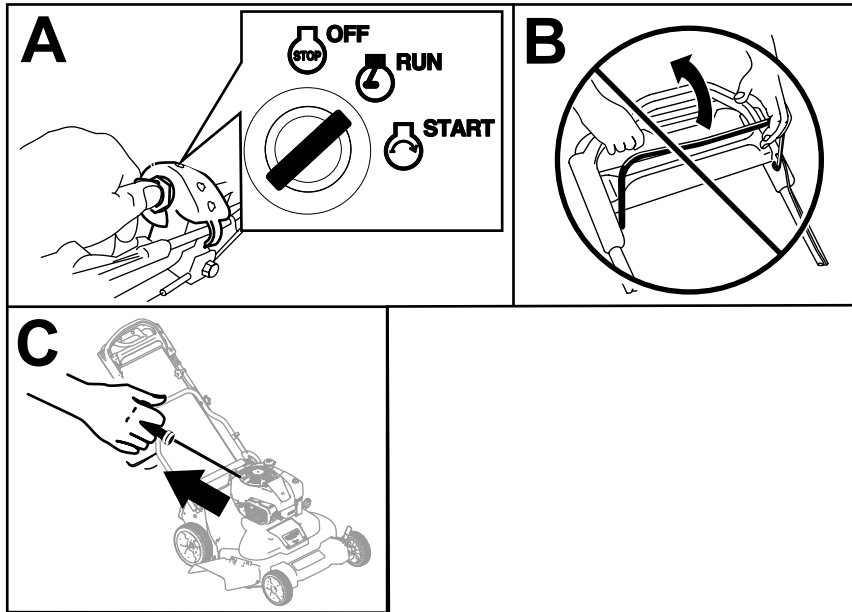


Figure 16

g234918

Using the Self-Propel Drive

To operate the self-propel drive, simply walk with your hands gripping the upper handle and your elbows at your sides, and the machine will automatically keep pace with you ([Figure 17](#)).

Note: You can self-propel the machine with the blades engaged or disengaged.

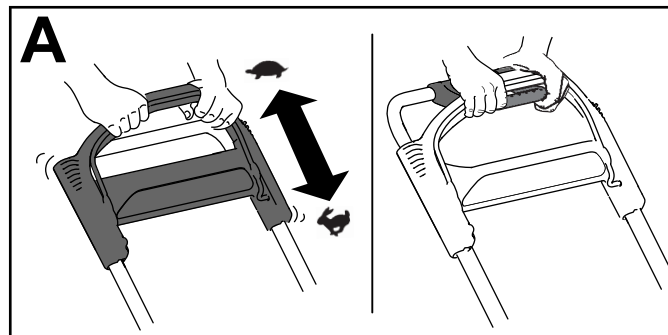


Figure 17

g244853

Note: Use the traction-assist handle in situations when you need more control than you have with the self-propel drive alone.

Shutting Off the Engine

Standard Model

Press the toggle switch (Figure 18) to the STOP position and hold it until the engine shuts off.

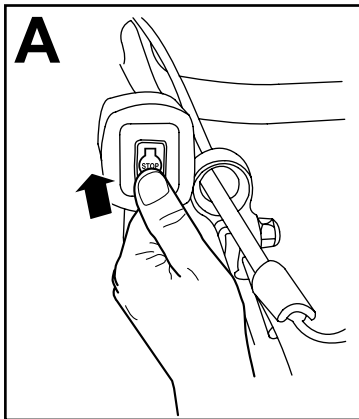


Figure 18

g234921

Electric-Start Model

1. Turn the ignition key to the OFF position (A of Figure 19).
2. When the engine shuts off, remove the ignition key and take it with you when you leave the machine (B of Figure 19).

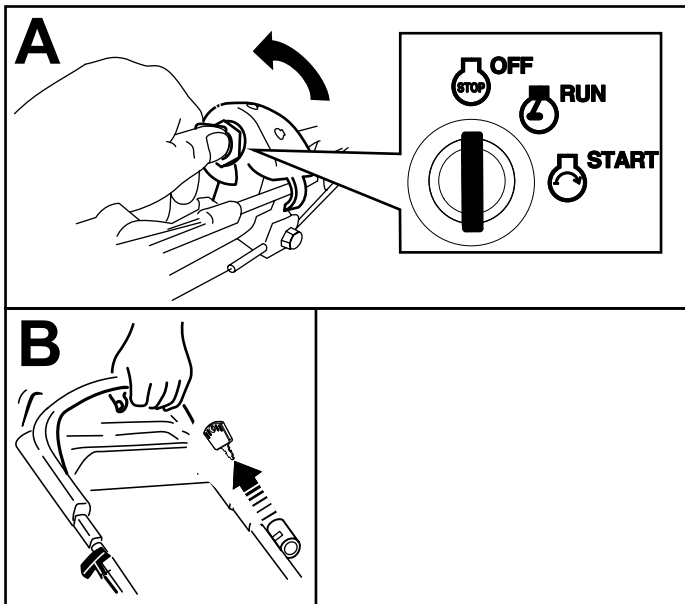


Figure 19

g234920

Engaging the Blades

When you start your engine, the blades do not turn. You must engage the blades to mow.

1. Pull the blade-control-bar lock back to the blade-control bar (Figure 20).

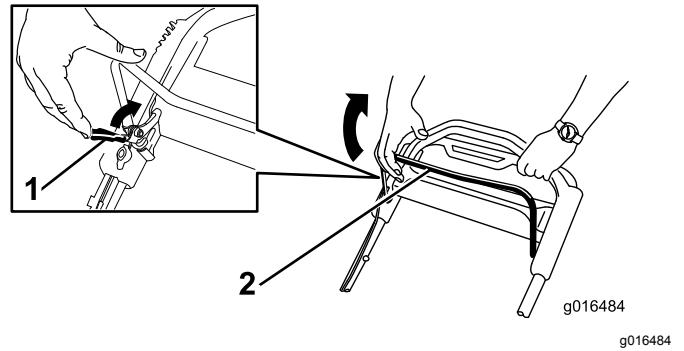


Figure 20

1. Blade-control bar lock
2. Blade-control bar

2. **Slowly** pull the blade-control bar back to the handle (Figure 20).
3. Hold the blade-control bar against the handle (Figure 21).

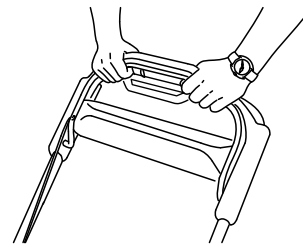


Figure 21

g193334

Disengaging the Blades

Release the blade-control bar (Figure 22).

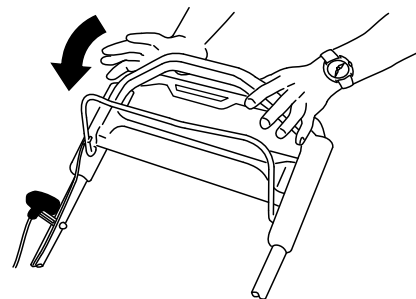


Figure 22

g193345

Important: When you release the blade-control bar, the blades should stop within 3 seconds. If they do not stop properly, stop using your machine immediately and contact an Authorized Service Dealer.

Checking the Blade-Stop System Operation

Service Interval: Before each use or daily

Check that the blades stop within 3 seconds of releasing the blade-control bar.

Using the Grass Bag

You can use the grass bag to check the blade-stop system.

1. Remove the rear-discharge plug.
2. Install the empty grass bag on the machine.
3. Start the engine.
4. Engage the blades.

Note: The bag should begin to inflate, indicating that the blades are rotating.

5. While watching the bag, release the blade-control bar.

Note: If the bag does not deflate within 3 seconds of releasing the blade-control bar, the blade-stop system may be deteriorating and, if ignored, could result in an unsafe operating condition. Have the machine inspected and serviced by an Authorized Service Dealer.

6. Shut off the engine and wait for all moving parts to stop.

Not Using the Grass Bag

1. Move the machine onto a paved surface in a non-windy area.
2. Set all 4 wheels to the 89 mm (3-1/2 inch) cutting height setting.
3. Take a half sheet of newspaper and crumple it into a ball small enough to go under the machine housing (about 76 mm (3 inches) in diameter).
4. Place the newspaper ball about 13 cm (5 inches) in front of the machine.
5. Start the engine.
6. Engage the blades.
7. Release the blade-control bar and begin counting out 3 seconds.
8. On the count of 3, push the machine quickly forward over the newspaper.
9. Shut off the engine and wait for all moving parts to stop.
10. Go to the front of the machine and check the newspaper ball.

Note: If the newspaper ball did not go under the machine, repeat steps 4 through 10.

11. If the newspaper is unravelled or shredded, the blades did not stop properly, which could result in an unsafe operating condition. Contact an Authorized Service Dealer.

Recycling the Clippings

This machine comes from the factory ready to recycle grass and leaf clippings back into the lawn. To prepare the machine to recycle, do the following:

- If the side-discharge chute is on the machine, remove it and lower the side-discharge door; refer to [Removing the Side-Discharge Chute \(page 19\)](#).
- If the grass bag is on the machine, remove it; refer to [Removing the Grass Bag \(page 18\)](#).
- If the rear-discharge plug is not installed, grip it by the handle, raise the rear door, and insert it into the rear-discharge chute until the latch locks into place; refer to [Figure 23](#).

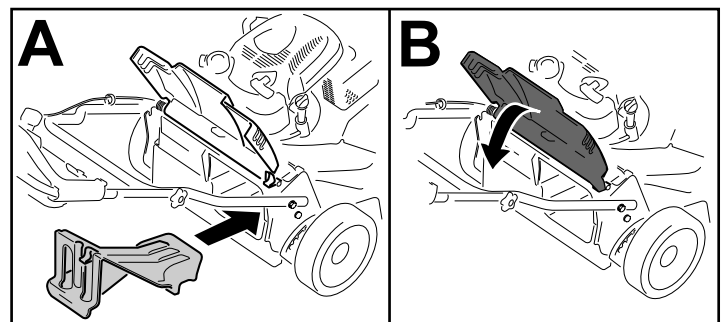


Figure 23

⚠ WARNING

Operating the machine to recycle lawn clippings without the plug in place allows objects to be thrown toward you or bystanders. Also, contact with the blades could occur. Thrown objects or blade contact can cause serious injury or death.

Ensure that the rear-discharge plug is in place before you recycle the clippings. Never engage the blades without either the rear-discharge plug or the grass bag installed on the machine.

Bagging the Clippings

Use the grass bag when you want to collect grass and leaf clippings from the lawn.

If the side-discharge chute is on the mower, remove it before bagging the clippings; refer to [Removing the Side-Discharge Chute](#) (page 19).

Installing the Grass Bag

1. Raise and hold up the rear door (A of [Figure 24](#)).
2. Remove the rear-discharge plug by pulling down on the latch with your thumb and pulling the plug out from the machine (B of [Figure 24](#)).
3. Install the bag rod into the notches at the base of the handle and rock the bag back and forth to ensure that the rod is seated at the bottom of both notches (C of [Figure 24](#)).
4. Lower the rear door until it rests on the grass bag.

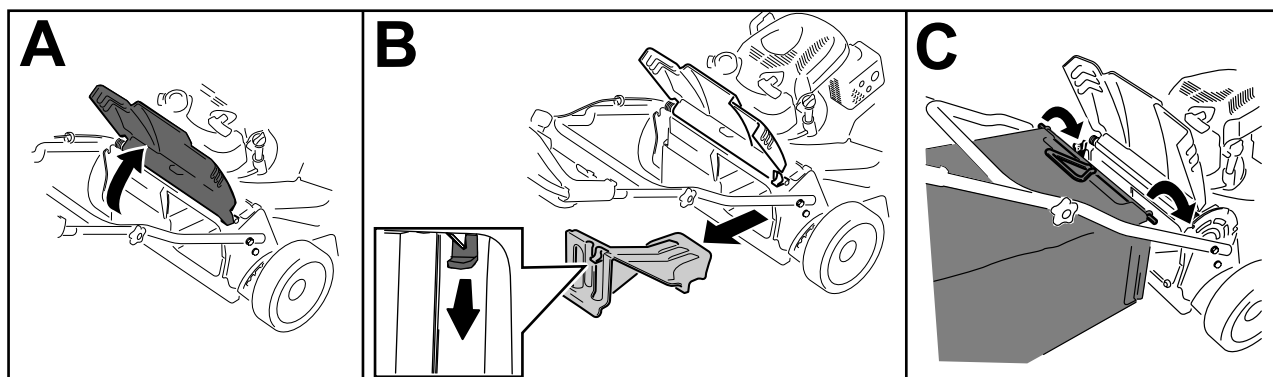


Figure 24

g244854

Removing the Grass Bag

To remove the bag, reverse the steps in [Installing the Grass Bag](#) (page 18).

Side-Discharging the Clippings

Use the side discharge for cutting very tall grass.

If the bag is on the machine, remove it and insert the rear-discharge plug; refer to [Removing the Grass Bag](#) (page 18) before side-discharging the clippings.

Important: Ensure that the rear-discharge plug is in place before you recycle the clippings ([Figure 23](#)).

Installing the Side-Discharge Chute

Unlatch and lift up the side deflector and install the side-discharge chute ([Figure 25](#)).

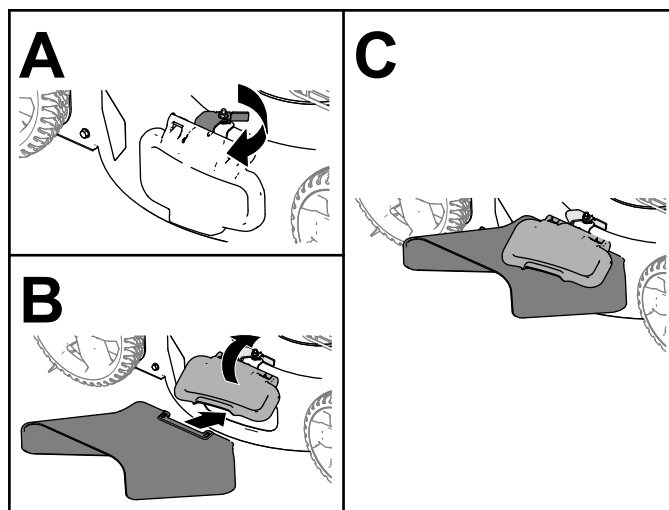


Figure 25

g235646

Removing the Side-Discharge Chute

To remove the side-discharge chute, lift up the side deflector, remove the side-discharge chute, and lower the side-discharge deflector until it latches securely.

Operating Tips

General Mowing Tips

- Inspect the area where you will use the machine and remove all objects that the machine could throw.
- Avoid striking solid objects with the blades. Never deliberately mow over any object.
- If the machine strikes an object or starts to vibrate, immediately shut off the engine, remove the key (if equipped), disconnect the wire from the spark plug, and examine the machine for damage.
- For best performance, install new blades before the cutting season begins.
- Replace the blades when necessary with Toro replacement blades.

Cutting Grass

- Cut only about a third of the grass blade at a time. Do not cut below 51 mm (2 inches) unless the grass is sparse or it is late fall when grass growth begins to slow down.
- When cutting grass over 15 cm (6 inches) tall, mow at the highest cutting height setting and walk slower; then mow again at a lower setting for the best lawn appearance. If the grass is too long, the machine may plug and cause the engine to stall.
- Wet grass and leaves tend to clump on the yard and can cause the machine to plug or the engine to stall. Avoid mowing in wet conditions.
- Be aware of a potential fire hazard in very dry conditions, follow all local fire warnings, and keep the machine free of dry grass and leaf debris.
- Alternate the mowing direction. This helps disperse the clippings over the lawn for even fertilization.
- If the finished lawn appearance is unsatisfactory, try 1 or more of the following:
 - Replace the blades or have them sharpened.
 - Walk at a slower pace while mowing.
 - Raise the cutting height on your machine.
 - Cut the grass more frequently.
 - Overlap cutting swaths instead of cutting a full swath with each pass.

Cutting Leaves

- After cutting the lawn, ensure that half of the lawn shows through the cut leaf cover. You may need to make more than a single pass over the leaves.
- If there are more than 13 cm (5 inches) of leaves on the lawn, mow at a higher cutting height and then again at the desired cutting height.
- Slow down your mowing speed if the machine does not cut the leaves finely enough.

After Operation

After Operation Safety

General Safety

- Always shut off the machine, remove the ignition key (if equipped), wait for all moving parts to stop, and allow the machine to cool before adjusting, servicing, cleaning, or storing it.
- Clean grass and debris from the machine to help prevent fires. Clean up oil or fuel spills.
- Never store the machine or fuel container where there is an open flame, spark, or pilot light, such as on a water heater or on other appliances.

Hauling Safety

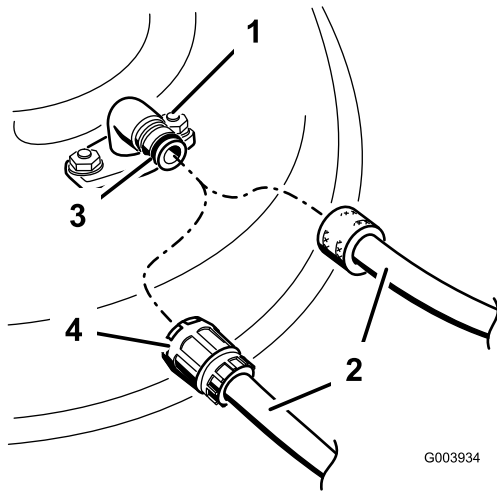
- Remove the ignition key (if equipped) before loading the machine for hauling.
- Use care when loading or unloading the machine.
- Secure the machine from rolling.

Cleaning under the Machine

Service Interval: Before each use or daily

1. Move the machine to a level surface.
2. Shut off the engine and wait for all moving parts to stop before leaving the operating position.
3. Lower the machine to its lowest cutting-height setting. Refer to [Adjusting the Cutting Height \(page 12\)](#).
4. Attach a hose to the washout fitting, and turn the water on high ([Figure 26](#)).

Note: Spread petroleum jelly on the washout fitting O-ring to make the coupling slide on easier and protect the O-ring.



G003934

g003934

Figure 26

- | | |
|--------------------|-------------|
| 1. Washout fitting | 3. O-ring |
| 2. Hose | 4. Coupling |

5. Start the engine, engage the blade-control lever, and let the machine run for 1 to 3 minutes with the blades turning.
6. Disengage the blade-control lever, shut off the engine, and wait for all moving parts to stop.
7. Shut off the water and remove the coupling from the washout fitting.

Note: If the machine is not clean after a single washing, soak it and let it stand for 30 minutes. Then repeat the process.

8. Run the machine again and engage the blades for 1 to 3 minutes to remove the excess water.

⚠ WARNING

A broken or missing washout fitting could expose you and others to thrown objects or blade contact. Contact with a blade or thrown debris can cause injury or death.

- **Replace a broken or missing washout fitting immediately, before using the machine again.**
- **Never put your hands or feet under the machine or through openings in the machine.**

Maintenance

Recommended Maintenance Schedule(s)

Maintenance Service Interval	Maintenance Procedure
After the first 5 hours	<ul style="list-style-type: none"> • Change the engine oil.
Before each use or daily	<ul style="list-style-type: none"> • Check the engine-oil level and add oil as needed. • Check the blade-brake-clutch operation. • Clean grass clippings and dirt from under the machine. • Check the air filter and clean or replace it, if necessary. • Check the cutting blades.
Every 25 hours	<ul style="list-style-type: none"> • Charge the battery for 24 hours (electric-start model only).
Every 50 hours	<ul style="list-style-type: none"> • Clean the air filter; clean it more frequently in dusty operating conditions. • Change the engine oil. • Service the blade-drive system.
Every 200 hours	<ul style="list-style-type: none"> • Replace the air filter; replace it more frequently in dusty operation conditions.
Yearly	<ul style="list-style-type: none"> • Service the air filter; service it more frequently in dusty operating conditions. • Change the engine oil. • Service the blades.
Yearly or before storage	<ul style="list-style-type: none"> • Charge the battery (electric-start model only). • Empty the fuel tank before repairs as directed and before yearly storage.

Important: Refer to your engine owner's manual for additional maintenance procedures.

Maintenance Safety

- Disconnect the spark-plug wire from the spark plug and remove the ignition key (electric-start model only) before performing any maintenance procedure.
- Wear gloves and eye protection when servicing the machine.
- The blade is sharp; contacting the blade can result in serious personal injury. Wear gloves when servicing the blade. Do not repair or alter the blade(s).
- Never tamper with safety devices. Check their proper operation regularly.
- Tipping the machine may cause the fuel to leak. Fuel is flammable and explosive, and can cause personal injury. Run the engine dry or remove the fuel with a hand pump; never siphon the fuel.
- To ensure optimum performance of the machine, use only genuine Toro replacement parts and accessories. Replacement parts and accessories made by other manufacturers could be dangerous, and such use could void the product warranty.

Preparing for Maintenance

1. Shut off the engine, remove the ignition key (if equipped), and wait for all moving parts to stop.

2. Disconnect the spark-plug wire from the spark plug (Figure 27).

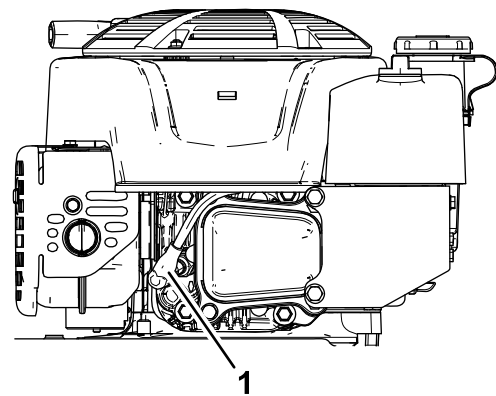


Figure 27

g191983

1. Spark-plug wire

3. After performing the maintenance procedure(s), connect the spark-plug wire to the spark plug.

Important: Before tipping the machine to change the oil or replace the blades, allow the fuel tank to run dry through normal usage. If you must tip the machine prior to running out of fuel, use a hand fuel pump to remove the fuel. Always tip the machine onto its side, with the dipstick down.

⚠ WARNING

Tipping the machine may cause the fuel to leak. Fuel is flammable, explosive, and can cause personal injury.

Run the engine dry or remove the fuel with a hand pump; never siphon.

Servicing the Air Filter

Service Interval: Before each use or daily—Check the air filter and clean or replace it, if necessary.

Every 50 hours—Clean the air filter; clean it more frequently in dusty operating conditions.

Yearly—Service the air filter; service it more frequently in dusty operating conditions.

Every 200 hours—Replace the air filter; replace it more frequently in dusty operation conditions.

1. Loosen the fastener and remove the air-filter cover (Figure 28).

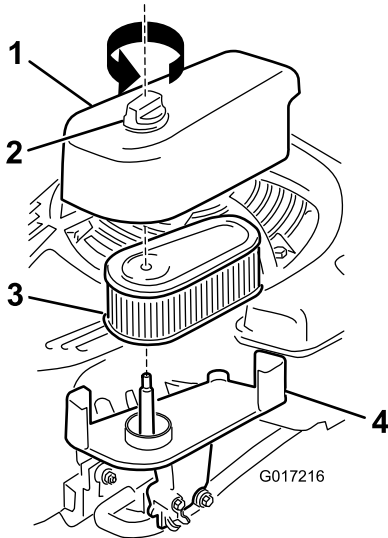


Figure 28

g017216

1. Cover
2. Fastener
3. Filter
4. Base

2. Remove and inspect the filter.
 - If the filter is damaged or is wet with oil or fuel, replace it.
 - If the filter is dirty, tap it on a hard surface several times or blow the debris outward from the interior of the filter using compressed air at less than 207 kPa (30 psi).

Note: Do not brush or blow dirt from the outside of the filter; either forces dirt into the fibers.

3. Clean the air-filter body and cover using a damp rag. **Keep dirt away from the air opening.**

4. Install the filter onto the base.
5. Install the cover and screw the fastener down securely.

Changing the Engine Oil

Service Interval: After the first 5 hours

Every 50 hours

Yearly

Note: Run the engine a few minutes before changing the oil to warm it. Warm oil flows better and carries more contaminants.

Engine Oil Specifications

Engine oil capacity	0.53 L (18 fl oz)*
Oil viscosity	SAE 30 or SAE 10W-30 detergent oil
API service classification	SJ or higher

*There is residual oil in the crankcase after you drain the oil. Do not pour the entire capacity of oil into the crankcase. Fill the crankcase with oil as directed in the following steps.

1. Move the machine to a level surface.
2. Refer to [Preparing for Maintenance \(page 21\)](#).
3. Remove the dipstick by rotating the cap counterclockwise and pulling it out (Figure 29).

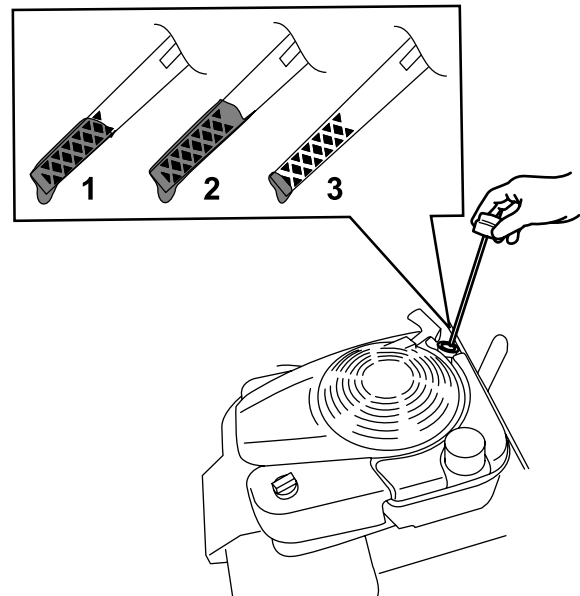


Figure 29

g193261

1. Full
2. High
3. Low

4. Tip the machine onto its side (so that the air filter is up) to drain the used oil from the oil-fill tube (Figure 30).

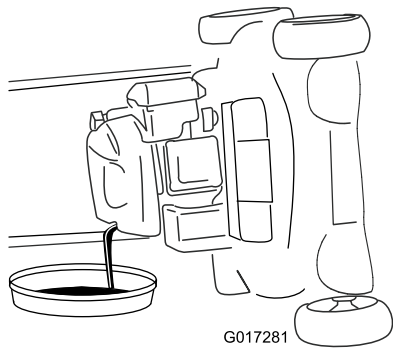


Figure 30

Charging the Battery

Electric-Start Model Only

Service Interval: Every 25 hours
Yearly or before storage

Charge the battery for 24 hours initially, then monthly (every 25 starts) or as needed. Always use the charger in a sheltered area, and charge the battery at room temperature (about 22°C or 70°F) whenever possible.

Note: The machine is not equipped with an alternator charging system.

1. Connect the charger to the wire harness located below the ignition key (Figure 31).

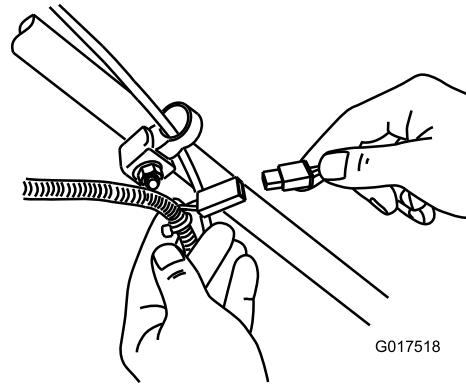


Figure 31

5. After draining the used oil, return the machine to the operating position.
6. Carefully pour about 3/4 of the engine capacity of oil into the oil-fill tube.
7. Wait 3 minutes for the oil to settle in the engine.
8. Wipe the dipstick clean with a clean cloth.
9. Insert the dipstick into the oil-fill tube, then remove the dipstick.
10. Read the oil level on the dipstick (Figure 29).
 - If the oil level on the dipstick is too low, carefully pour a small amount of oil into the oil-fill tube, wait 3 minutes, and repeat steps 8 through 10 until the oil level on the dipstick is correct.
 - If the oil level on the dipstick is too high, drain the excess oil until the oil level on the dipstick is correct.
11. Install the dipstick into the oil-fill tube securely.
12. Recycle the used oil properly.

2. Plug the charger into a wall outlet.

Note: When the battery no longer holds a charge, recycle or dispose of the lead-acid battery according to local codes.

Note: Your battery charger may have a 2-color LED display that indicates the following states of charging:

- A red light indicates that the charger is charging the battery.
- A green light indicates that the charger is fully charged or is disconnected from the battery.
- A flashing light that alternates between red and green indicates that the battery is nearly fully charged. This state lasts only a few minutes until the battery is fully charged.

Replacing the Fuse

Electric-Start Model Only

If the battery does not charge or the engine does not run with the electric starter, the fuse may be blown. Replace it with a 40 A plug-in type fuse.

Important: You cannot start the machine with the electric starter or charge the battery unless a working fuse is installed.

1. Open the sealed fuse holder and replace the fuse (Figure 32).

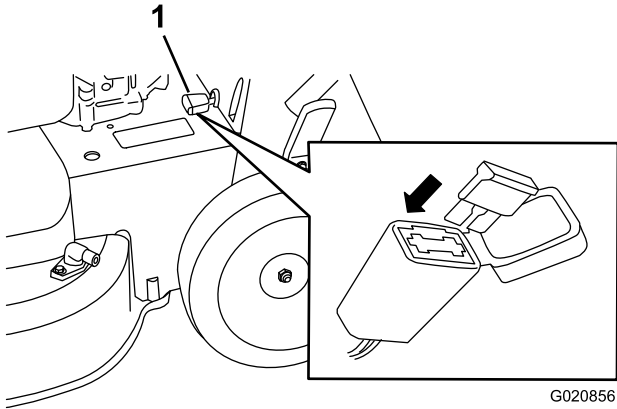


Figure 32

1. Fuse holder

2. Close the cover to the fuse holder, and ensure that it is sealed tightly.

Replacing the Battery

Electric-start model only

Removing the Old Battery

1. Contact an Authorized Service Dealer to obtain a replacement battery.
2. Remove the belt cover; refer to step 1 of [Servicing the Blade-Drive System \(page 25\)](#).
3. Remove the rear-discharge plug.
4. Move the handle to the vertical position.
5. Remove the 4 small bolts that hold the rear door and handle-lock-lever assembly in place.
6. Fold the handle all the way forward.
7. Remove the rear door and handle-lock lever assembly (Figure 33).

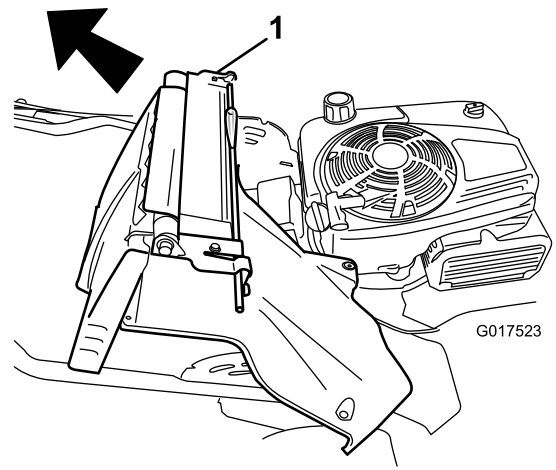


Figure 33

1. Rear door and handle-lock-lever assembly

8. Remove the cover from the battery.
9. Disconnect the leads from the battery.
10. Remove the battery and recycle it.

Note: Recycle the battery according to your state and local regulations.

Installing the New Battery

1. Clean the battery-holding area on the machine housing.
2. Set the new battery in place on the machine housing.
3. Connect the leads to the new battery.
Note: Ensure that you connect the black (negative) wire to the negative (-) terminal and the red (positive) wire to the positive (+) terminal.
4. Install the cover onto the battery.
Note: Ensure that the cover fits properly over the wire harness.
5. Install the rear door and handle-lock-lever assembly onto the machine.
6. Raise the handle to the vertical position.
7. Secure the shroud with the 4 small bolts that you removed in step 5 of [Removing the Old Battery \(page 24\)](#).
8. Install the rear-discharge plug.
9. Return the handle to the operating position.

Adjusting the Self-Propel Drive

For Self-Propel-Drive Models Only

Whenever you install a new self-propel cable or if the self-propel drive is out of adjustment, adjust the self-propel drive.

1. Turn the adjustment nut counterclockwise to loosen the cable adjustment (Figure 34).

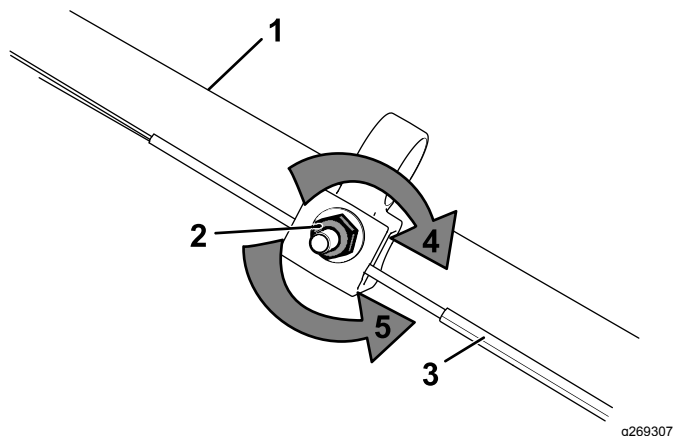


Figure 34

1. Handle (left side)
2. Adjustment nut
3. Self-propel-drive cable
4. Turn the nut clockwise to tighten the adjustment.
5. Turn the nut counterclockwise to loosen the adjustment.

2. Adjust the tension on the cable (Figure 34) by pulling it back or pushing it forward and holding that position.

Note: Push the cable toward the engine to increase the traction; pull the cable away from the engine to decrease the traction.

3. Turn the adjustment nut clockwise to tighten the cable adjustment.

Note: Tighten the nut firmly with a socket or wrench.

Servicing the Blade-Drive System

Service Interval: Every 50 hours

1. Remove the blade-drive system cover (Figure 35).

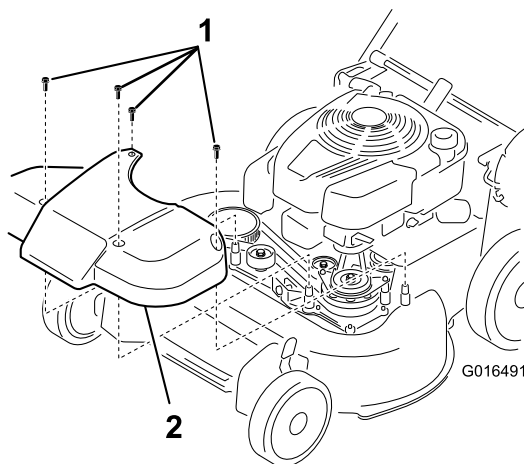


Figure 35

1. Bolts
2. Cover

2. Brush or blow out debris from the inside of the shield and around all the parts.
3. Hold a 0.25 mm (0.010 inch) feeler gauge, a piece of paper, or a note card against the wall and slide it down behind the belt tension spring.

Note: If there is a visible gap between the gauge and the spring, tighten the adjusting bolt and the nut until the paper barely slides freely in and out of the gap (Figure 36).

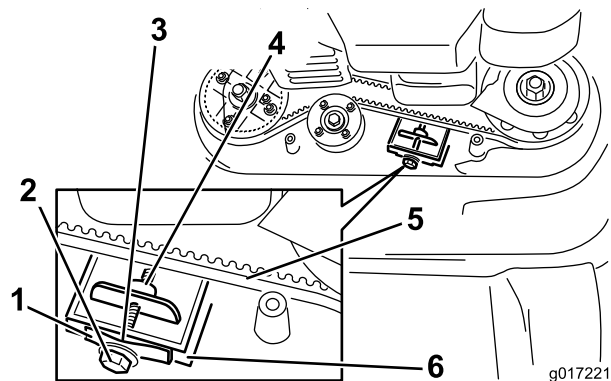


Figure 36

1. Belt-tension spring
2. Adjusting bolt
3. Gap
4. Adjusting nut
5. Blade-drive belt
6. Wall

Important: Do not overtighten the adjusting bolt. This could damage the blade-drive belt.

4. Install the blade-drive system cover that you previously removed.

Servicing the Blades

Service Interval: Yearly

Important: You will need a torque wrench to install the blades properly. If you do not have a torque wrench or are uncomfortable performing this procedure, contact an Authorized Service Dealer.

Examine the blades whenever you run out of fuel. If the blades are damaged or cracked, replace them immediately. If the blade edges are dull or nicked, have them sharpened and balanced, or replace them.

Important: Always wear padded gloves when working with the blade.

⚠ WARNING

A worn or damaged blade can break, and a piece of the blade could be thrown toward you or bystanders, resulting in serious personal injury.

- Inspect the blades periodically for wear or damage.
- Replace a worn or damaged blade.

Note: Maintain sharp blades throughout the cutting season, because sharp blades cut cleanly without tearing or shredding the grass blades.

Preparing to Service the Cutting Blades

1. Lock the handle in the vertical position (Figure 37); refer to [Adjusting the Handle Height](#) (page 11).

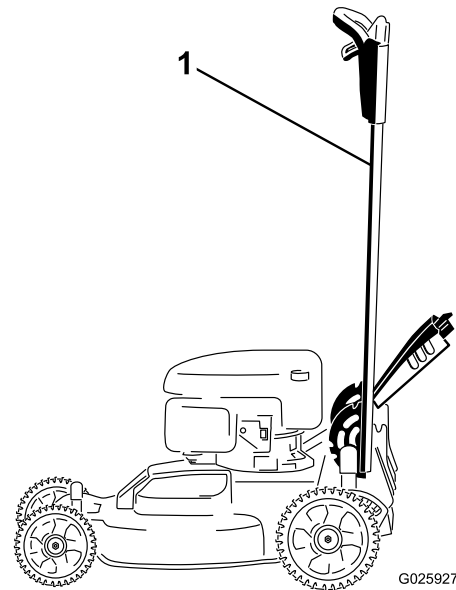


Figure 37

1. Handle locked in the vertical position
-
2. Tip the machine onto its side, with the dipstick down, until the upper handle rests on the ground.

Inspecting the Blades

Service Interval: Before each use or daily

1. Inspect the cutting edges (Figure 38). If the edges are not sharp or have nicks, remove the blades and have them sharpened or replace them.

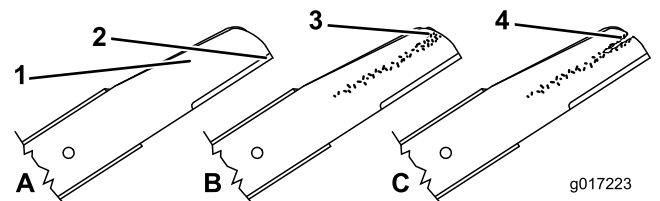


Figure 38

1. Cutting edge
2. Curved area
3. Wear/slot forming
4. Crack

2. Inspect the blades themselves, especially the curved area (Figure 38). If you notice any damage, wear, or a slot forming in this area, immediately replace it with a new blade.

⚠ WARNING

If you allow a blade to wear, a slot will form between the sail and flat part of the blade. Eventually a piece of the blade may break off and be thrown from under the housing, possibly resulting in serious injury to you or bystanders.

- Inspect the blade periodically for wear or damage.
 - Never try to straighten a blade that is bent or weld a broken or cracked blade.
 - Replace a worn or damaged blade.
3. Check for bent blades; refer to [Checking for Bent Blades](#) (page 27).

Checking for Bent Blades

1. Rotate the blades to the position shown in [Figure 39](#).

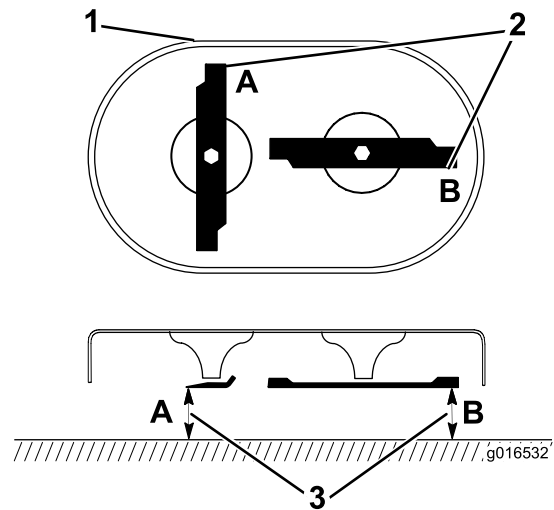


Figure 39

g016532

1. Front of cutting deck
2. Measure at locations A and B
3. Measure from the cutting edge to a smooth, level surface

2. Measure from a level surface to the cutting edges at locations **A** and **B** ([Figure 39](#)), and record both dimensions.
3. Rotate the blades so that their opposite ends are at locations **A** and **B** ([Figure 39](#)).
4. Repeat the measurements in step 2 and record them.

Note: If the difference between the dimensions **A** and **B** obtained in steps 2 and 4 exceeds 3 mm (1/8 inch), the blade is bent and you will need to replace it. Refer to [Removing the Blades](#) (page 28) and [Installing the Blades](#) (page 28).

⚠ WARNING

A blade that is bent or damaged could break apart and could seriously injure or kill you or bystanders.

- Always replace a bent or damaged blade with a new blade.
- Never file or create sharp notches in the edges or surfaces of a blade.

Removing the Blades

Replace the blades when the machine hits a solid object or when a blade is out of balance or bent. Use only genuine Toro replacement blades.

1. Use a block of wood to hold each blade steady and turn the blade bolt counterclockwise as shown in [Figure 40](#).

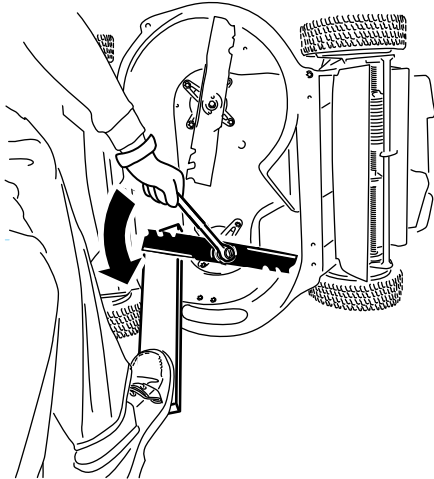


Figure 40

g232790

2. Remove each blade as shown in [Figure 41](#).

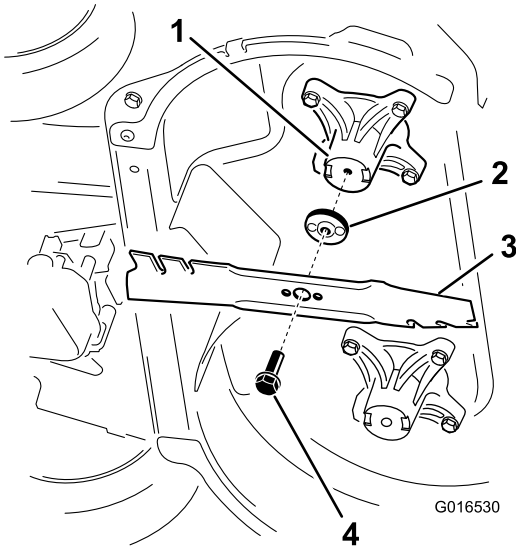


Figure 41

G016530

g016530

- | | |
|---------------------|-------------------|
| 1. Spindle (2) | 3. Blade (2) |
| 2. Blade driver (2) | 4. Blade bolt (2) |

3. Inspect the pins on the blade drivers for wear and damage.

Installing the Blades

1. Install the first blade so that it is horizontal, along with all mounting hardware as shown in [Figure 41](#).

Note: Tighten the bolt with your fingers.

Important: Position the curved ends of the blades to point toward the machine housing. Be sure to nest the raised areas on each blade driver with the recesses in the head of its corresponding spindle, and the pins on the other side of each blade driver with the holes in its corresponding blade.

2. Steady each blade with a board and turn the blade bolt clockwise with a torque wrench as shown in [Figure 42](#); torque the blade bolt to 82 N·m (60 ft·lb).

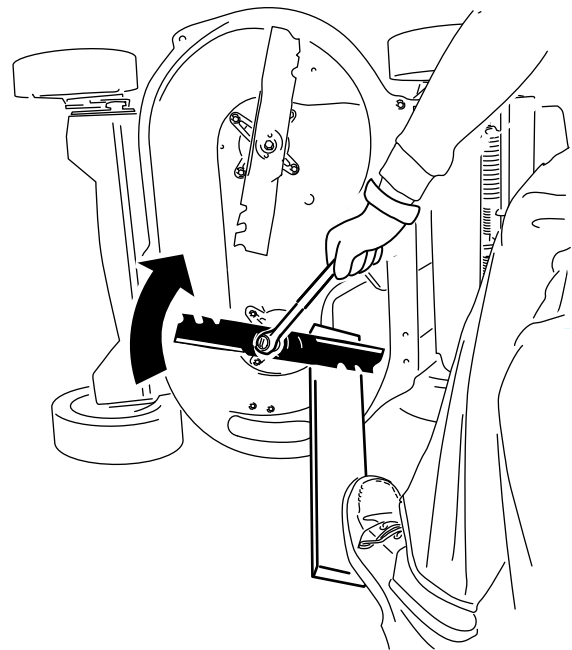


Figure 42

g232801

3. Rotate the installed blade 1/4 turn until it is vertical, and install the other blade in the same manner as the first (refer to step 1).

Note: The blades should be perpendicular, forming an inverted "T" as shown in [Figure 43](#).

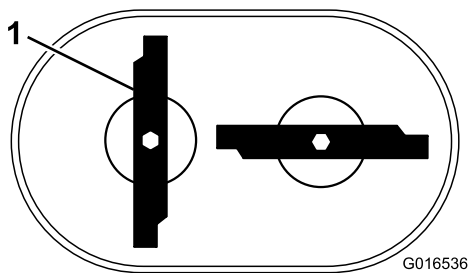


Figure 43

g016536

1. Blade (2)

4. Tighten the second blade; refer to step 2.
5. Rotate the blades by hand a full 360° turn to ensure that they do not touch.

Note: If the blades touch each other, they are not mounted correctly. Repeat steps 1 through 3, until the blades no longer touch each other.

⚠ WARNING

Incorrectly installing the blades could damage the machine or cause an injury to you or bystanders.

Use care when installing the blades.

Storage

Store the machine in a cool, clean, dry place.

Storage Safety

Always shut off the machine, remove the ignition key (if equipped), wait for all moving parts to stop, and allow the machine to cool before adjusting, servicing, cleaning, or storing it.

General Information

1. Perform the recommended annual maintenance procedures; refer to [Maintenance \(page 21\)](#).
2. Clean under the machine housing; refer to [Cleaning under the Machine \(page 19\)](#).
3. Remove chaff, dirt, and grime from the external parts of the engine, the shrouding, and the top of the machine.
4. Check the condition of the blades; refer to [Inspecting the Blades \(page 26\)](#).
5. Service the air filter; refer to [Servicing the Air Filter \(page 22\)](#).
6. Tighten all nuts, bolts, and screws.
7. Touch up all rusted or chipped paint surfaces with paint available from an Authorized Service Dealer.
8. **Electric-start model only:** Charge the battery for 24 hours, then unplug the battery charger and store the machine in an unheated area. If you must store the machine in a heated area, you must charge the battery every 90 days. Remove the key.
9. Fold the handle for storage; refer to [1 Assembling and Unfolding the Handle \(page 5\)](#).

Preparing the Fuel System

⚠ WARNING

Fuel can vaporize if you store it over long periods of time and explode if it comes into contact with an open flame.

- **Do not store fuel over long periods of time.**
- **Do not store the machine with fuel in the fuel tank or the carburetor in an enclosure with an open flame. (For example, a furnace or a water heater pilot light.)**
- **Allow the engine to cool before storing it in any enclosure.**

On the last refueling of the year, add fuel stabilizer to the fuel as directed by the engine manufacturer. Empty the fuel tank when mowing the last time before storing the machine.

1. Run the machine until the engine shuts off from running out of fuel.
2. Start the engine again and allow it to run until it shuts off. When you can no longer start the engine, it is sufficiently dry.

Preparing the Engine

1. While the engine is still warm, change the engine oil; refer to [Changing the Engine Oil \(page 22\)](#).
2. Disconnect the wire from the spark plug and remove the ignition key (electric-start model only).
3. Remove the spark plug.
4. Using an oil can, add about 30 ml (1 fl oz), of motor oil to the engine through the spark-plug hole.
5. Slowly pull the starter rope several times to distribute oil throughout the cylinder.
6. Install the spark plug but do not connect the wire to the spark plug. Secure the wire so that it does not come into contact with the spark plug.

Removing the Machine from Storage

1. Unfold the handle; refer to [1 Assembling and Unfolding the Handle \(page 5\)](#).
2. Check and tighten all fasteners.
3. Remove the spark plug and spin the engine rapidly using the starter to blow excess oil from the cylinder.
4. Inspect the spark plug and replace it if it is dirty, worn, or cracked; refer to the engine owner's manual.
5. Install the spark plug and tighten it to the recommended torque of 20 N·m (15 ft·lb).
6. Perform any needed maintenance procedures; refer to [Maintenance \(page 21\)](#).
7. Check the engine-oil level; refer to [Filling the Fuel Tank \(page 10\)](#).
8. Fill the fuel tank with fresh fuel; refer to [Filling the Fuel Tank \(page 10\)](#).
9. **Electric-start model only:** Charge the battery; refer to [5 Charging the Battery \(page 7\)](#).
10. Connect the wire to the spark plug.

EEA/UK Privacy Notice

Toro's Use of Your Personal Information

The Toro Company ("Toro") respects your privacy. When you purchase our products, we may collect certain personal information about you, either directly from you or through your local Toro company or dealer. Toro uses this information to fulfil contractual obligations - such as to register your warranty, process your warranty claim or to contact you in the event of a product recall - and for legitimate business purposes - such as to gauge customer satisfaction, improve our products or provide you with product information which may be of interest. Toro may share your information with our subsidiaries, affiliates, dealers or other business partners in connection these activities. We may also disclose personal information when required by law or in connection with the sale, purchase or merger of a business. We will never sell your personal information to any other company for marketing purposes.

Retention of your Personal Information

Toro will keep your personal information as long as it is relevant for the above purposes and in accordance with legal requirements. For more information about applicable retention periods please contact legal@toro.com.

Toro's Commitment to Security

Your personal information may be processed in the US or another country which may have less strict data protection laws than your country of residence. Whenever we transfer your information outside of your country of residence, we will take legally required steps to ensure that appropriate safeguards are in place to protect your information and to make sure it is treated securely.

Access and Correction

You may have the right to correct or review your personal data, or object to or restrict the processing of your data. To do so, please contact us by email at legal@toro.com. If you have concerns about the way in which Toro has handled your information, we encourage you to raise this directly with us. Please note that European residents have the right to complain to your Data Protection Authority.



Count on it.



TimeMaster®-Rasenmäher (76 cm)

Modellnr. 21810—Seriennr. 406474884 und höher

Modellnr. 21811—Seriennr. 405541084 und höher

Bedienungsanleitung

Einführung

Dieser handgeführte Rasenmäher mit Sichelmessern sollte von Privatleuten oder geschulten Lohnarbeitern verwendet werden. Er ist hauptsächlich für das Mähen von Gras auf gepflegten Grünflächen in Privatanlagen gedacht. Der zweckfremde Einsatz dieser Maschine kann für Sie und Unbeteiligte gefährlich sein.

Lesen Sie diese Informationen sorgfältig durch, um sich mit dem ordnungsgemäßen Einsatz und der Wartung des Geräts vertraut zu machen und Verletzungen und eine Beschädigung des Geräts zu vermeiden. Sie tragen die Verantwortung für einen ordnungsgemäßen und sicheren Einsatz des Geräts.

Besuchen Sie www.toro.com hinsichtlich Sicherheitstipps, Schulungsunterlagen, Zubehörinformationen, Standort eines Händlers oder Registrierung des Produkts.

Wenden Sie sich an den Toro-Vertragshändler oder Kundendienst, wenn Sie eine Serviceleistung, Originalersatzteile von Toro oder weitere Informationen benötigen. Haben Sie dafür die Modell- und Seriennummern der Maschine griffbereit. **Bild 1** zeigt die Position der Modell- und Seriennummern am Produkt. Tragen Sie hier bitte die Modell- und Seriennummern des Geräts ein.

Wichtig: Scannen Sie mit Ihrem Mobilgerät den QR-Code auf dem Seriennummernaufkleber (falls vorhanden), um auf Garantie-, Ersatzteil- oder andere Produktinformationen zuzugreifen

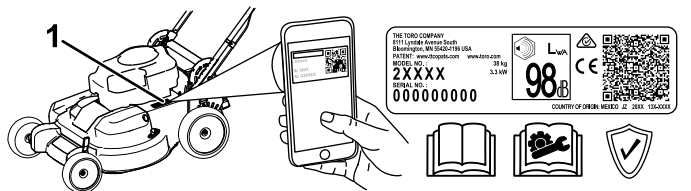


Bild 1

g308051

1. Typenschild mit Modell- und Seriennummer

Modellnr. _____
Seriennr. _____

In dieser Anleitung werden potenzielle Gefahren angeführt, und Sicherheitshinweise werden vom Sicherheitswarnsymbol (**Bild 2**) gekennzeichnet. Dieses Warnsymbol weist auf eine Gefahr hin, die zu schweren oder tödlichen Verletzungen führen kann, wenn Sie die empfohlenen Sicherheitsvorkehrungen nicht einhalten.



Bild 2

Sicherheitswarnsymbol

g000502

In dieser Anleitung werden zwei Begriffe zur Hervorhebung von Informationen verwendet. **Wichtig** weist auf spezielle technische Informationen hin, und **Hinweis** hebt allgemeine Informationen hervor, die Ihre besondere Beachtung verdienen.

Dieses Produkt erfüllt alle relevanten europäischen Richtlinien; weitere Details finden Sie in der produktspezifischen Konformitätserklärung (DOC).

Brutto- oder Nettodrehmoment: Das Brutto- oder Nettodrehmoment dieses Motors wurde vom Motorhersteller im Labor gemäß SAE J1940 oder J2723 ermittelt. Aufgrund der Konfiguration zur Erfüllung von Sicherheits-, Emissions- und Betriebsanforderungen ist die tatsächliche Motorleistung in dieser Klasse der Rasenmäher wesentlich niedriger. Weitere Informationen finden Sie in der Motorbedienungsanleitung des Herstellers, die mit der Maschine ausgeliefert wurde.

Manipulieren oder deaktivieren Sie keine Sicherheitsvorrichtungen an der Maschine und prüfen Sie die einwandfreie Funktion in regelmäßigen Abständen. Modifizieren oder manipulieren Sie nicht die Bedienelemente für die Motordrehzahl, da dies zu unsicheren Einsatzbedingungen und Verletzungen führen kann.



Inhalt

Einführung	1
Sicherheit	2
Allgemeine Sicherheit.....	2
Sicherheits- und Bedienungsschilder	3
Einrichtung	4
1 Zusammen- und Aufklappen des Holms.....	4
2 Einbauen des Schaltbügels	4
3 Motoröl nachfüllen	5
4 Montieren des Fangkorbs	6
5 Aufladen der Batterie	6
Produktübersicht	7
Technische Daten	8
Anbaugeräte/Zubehör	8
Betrieb	8
Vor dem Einsatz	8
Sicherheitshinweise vor der Inbetrieb- nahme.....	8
Betanken	9
Prüfen des Motorölstands.....	10
Einstellen der Holmhöhe.....	10
Einstellen der Schnitthöhe	11
Während des Einsatzes	11
Hinweise zur Sicherheit während des Betriebs.....	11
Anlassen des Motors	12
Verwenden des Selbstantriebs	14
Abstellen des Motors	15
Einkuppeln der Messer	15
Auskuppeln der Messer	15
Prüfen des Systems zum Anhalten des Messers	16
Schnittgutrecyclen	16
Sammeln des Schnittguts	17
Seitenauswurf des Schnittguts	17
Betriebshinweise	18
Nach dem Einsatz	18
Hinweise zur Sicherheit nach dem Betrieb	18
Reinigen unter dem Gerät.....	19
Wartung	20
Empfohlener Wartungsplan	20
Wartungssicherheit.....	20
Vorbereiten für die Wartung	21
Warten des Luftfilters	21
Wechseln des Motoröls	22
Aufladen der Batterie	23
Austauschen der Sicherung.....	23
Auswechseln der Batterie	23
Einstellen des Selbstantriebs.....	24
Warten des Messerantriebssystems.....	25
Warten der Schnittmesser	25
Prüfen auf verbogene Schnittmesser	27
Entfernen der Messer	27
Einbauen der Messer.....	28
Einlagerung	29

Sicherheit bei der Einlagerung	29
Allgemeine Angaben	29
Vorbereiten der Kraftstoffanlage	29
Vorbereiten des Motors.....	29
Herausnehmen der Maschine aus der Einlagerung.....	30


Sicherheit

Diese Maschine erfüllt EN ISO 5395.

Allgemeine Sicherheit

Dieses Produkt kann Hände und Füße amputieren und Gegenstände aufschleudern. Befolgen immer sämtliche Sicherheitshinweise, um schwere oder tödliche Verletzungen zu vermeiden.

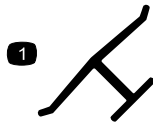
- Lesen, verstehen und befolgen Sie vor dem Anlassen des Motors alle Anweisungen und Warnungen in der *Bedienungsanleitung* und an der Maschine.
- Berühren Sie bewegliche Teile oder die Unterseite der Maschine nicht mit den Händen oder Füßen. Bleiben Sie immer von der Auswurföffnung fern.
- Bedienen Sie die Maschine niemals, wenn nicht alle Schutzvorrichtungen und Abdeckungen angebracht und funktionstüchtig sind.
- Halten Sie Unbeteiligte, insbesondere Kinder, aus dem Arbeitsbereich fern. Das Fahrzeug darf niemals von Kindern betrieben werden. Nur verantwortungsbewusste Personen, die geschult und mit den Anweisungen vertraut sind und körperlich fähig sind, sollten die Maschine verwenden.
- Halten Sie die Maschine an, stellen den Motor ab, ziehen den Zündschlüssel (falls vorhanden) ab und warten Sie, bis alle beweglichen Teile zum Stillstand gekommen sind, bevor Sie die Maschine warten, auftanken oder Verstopfungen entfernen.

Der unsachgemäße Einsatz oder die falsche Wartung dieser Maschine kann zu Verletzungen führen. Halten Sie diese Sicherheitsanweisungen ein, um das Verletzungsrisiko zu verringern. Achten Sie immer auf das Sicherheitswarnsymbol , es bedeutet Vorsicht, Warnung oder Gefahr – „Sicherheitshinweis“. Wenn Sie diese Anweisungen nicht einhalten, kann es zu Verletzungen ggf. tödlichen Verletzungen kommen.

Sicherheits- und Bedienungsschilder



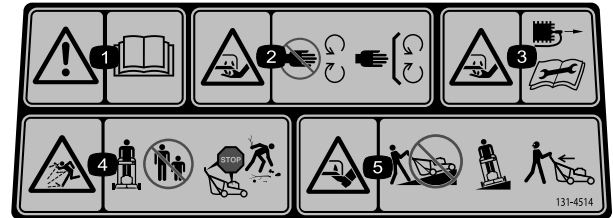
Die Sicherheitsaufkleber und Bedienungsanweisungen sind gut sichtbar; sie befinden sich in der Nähe der möglichen Gefahrenbereiche. Tauschen Sie beschädigte oder verloren gegangene Aufkleber aus.



Herstellermarke

decaloemmark

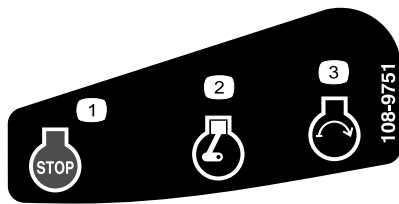
1. Diese Marke gibt an, dass das Messer ein Teil des Herstellers der Originalmaschine ist.



decal131-4514

131-4514

1. Warnung: Lesen Sie die *Bedienungsanleitung*.
2. Schnitt- bzw. Amputationsgefahr für Hände am Mähwerkmesser: Berühren Sie keine beweglichen Teile und nehmen Sie keine Schutzbleche und Schutzvorrichtungen ab.
3. Schnitt- bzw. Amputationsgefahr für Hände durch Mähwerkmesser: Stecken Sie das Zündkerzenkabel aus, bevor Sie Wartungsarbeiten durchführen.
4. Gefahr durch aufgeschleuderte Gegenstände: Halten Sie Unbeteiligte fern; schalten Sie den Motor ab, bevor Sie die Bedienposition verlassen; heben Sie verstreute Teile auf, bevor Sie mit dem Mähen beginnen.
5. Schnitt- bzw. Amputationsgefahr von Händen am Mähwerkmesser: Mähen Sie nie hangaufwärts oder -abwärts, mähen Sie immer waagrecht zum Hang. Schauen Sie nach hinten, wenn Sie rückwärtsfahren.

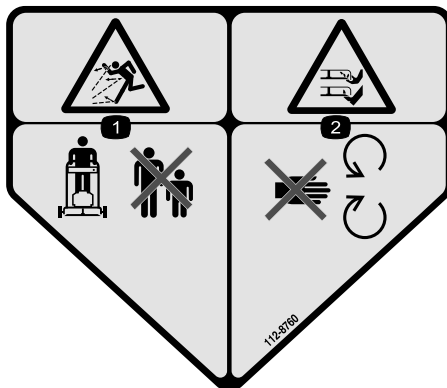


decal108-9751

108-9751

Nur Modelle mit Elektrostart

1. Motorstopp (Abstellen)
2. Motor: Laufen
3. Motor: Starten

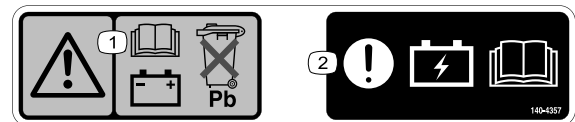


decal112-8760

112-8760

1. Gefahr durch herausgeschleuderte Objekte: Unbeteiligte müssen einen Abstand zur Maschine halten.
2. Gefahr von Schnittverletzungen/einer Amputation von Händen oder Füßen durch Mähwerkmesser: Halten Sie sich von beweglichen Teilen fern.

Nur Modelle mit Elektrostart



decal140-4357

140-4357

1. Warnung: Lesen Sie die *Bedienungsanleitung* zu Informationen zur Batterie; entsorgen Sie die Bleibatterie nicht.
2. Achtung: In der *Bedienungsanleitung* finden Sie Angaben zum Laden der Batterie.



decal120-9570

120-9570

1. Warnung: Berühren Sie keine beweglichen Teile und nehmen Sie keine Schutzbleche und Schutzvorrichtungen ab.

Einrichtung

Wichtig: Nehmen Sie den Kunststoffschutz ab und alle anderen Kunststoffteile oder Verpackungen ab, mit denen der Motor abgedeckt ist. Entsorgen Sie sie.

Wichtig: Um ein versehentliches Anlassen zu verhindern, stecken Sie den Schlüssel erst in die Elektrostart-Zündung (falls vorhanden), wenn Sie zum Anlassen des Motors bereit sind.

1

Zusammen- und Aufklappen des Holms

Keine Teile werden benötigt

Verfahren

⚠️ WARNUNG:

Wenn Sie den Holm falsch montieren und aufklappen, können Sie die Kabel beschädigen und den sicheren Geräteinsatz gefährden.

- Beschädigen Sie beim Auf- oder Zusammenklappen des Holms nicht die Kabel.
- Wenden Sie sich bei einem beschädigten Kabel an einen offiziellen Vertragshändler.

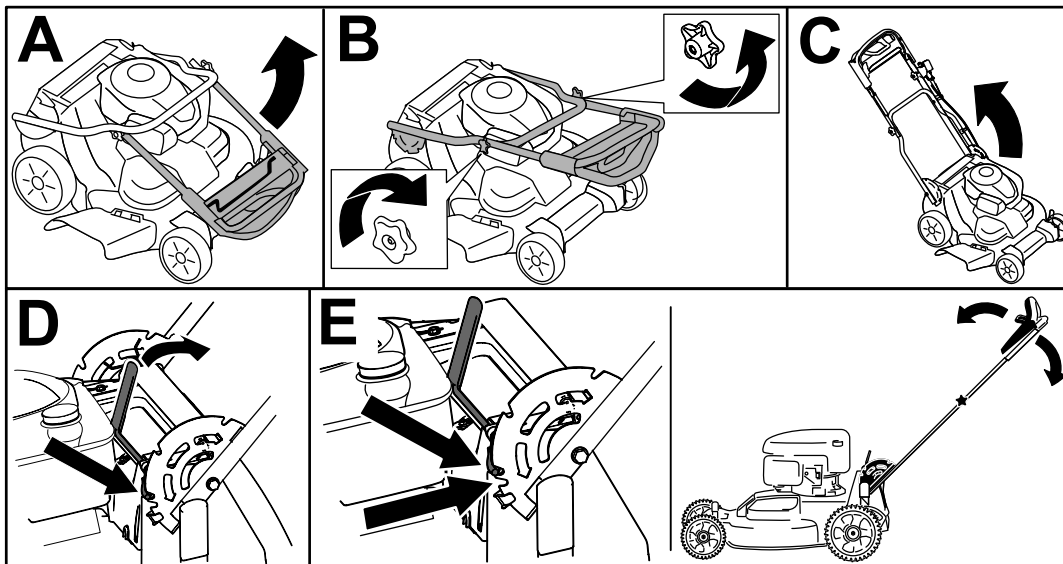


Bild 3

g224528

2

Einbauen des Schaltbügels

Keine Teile werden benötigt

Verfahren

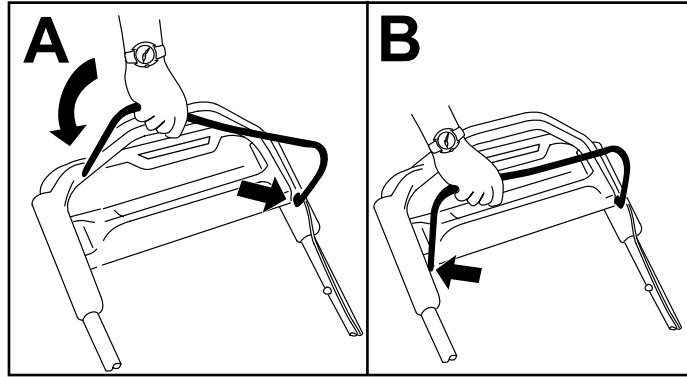


Bild 4

g225133

3

Motoröl nachfüllen

Keine Teile werden benötigt

Verfahren

Wichtig: Wenn der Ölstand im Motor zu hoch oder zu niedrig ist und Sie den Motor laufen lassen, können Motorschäden auftreten.

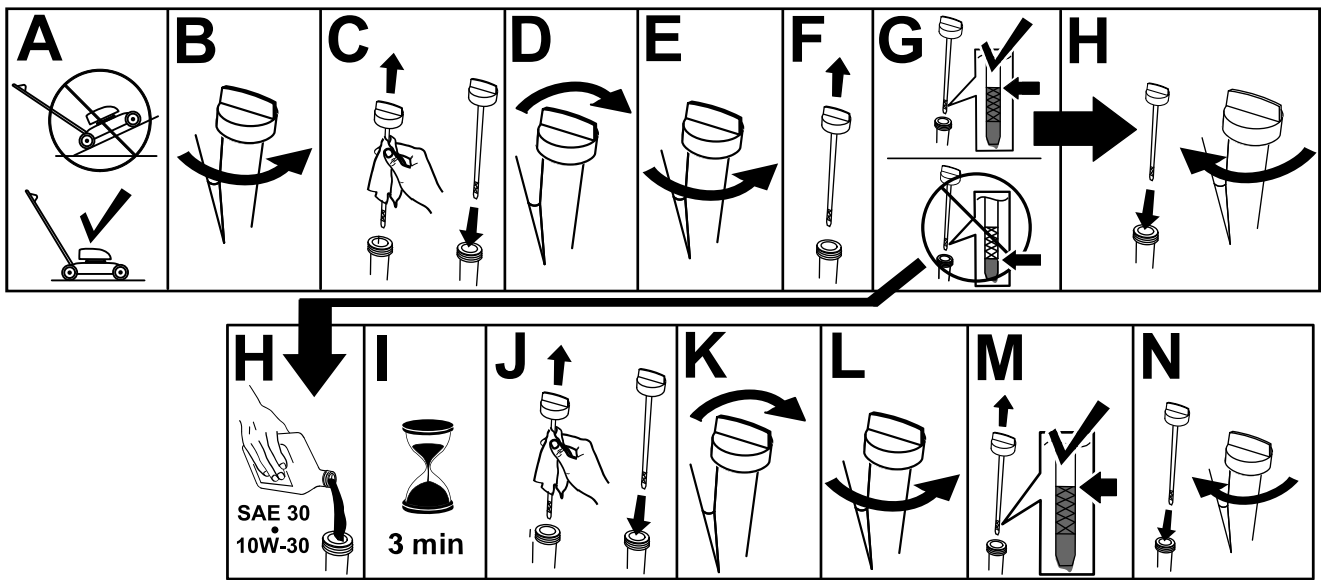


Bild 5

g222533

4

Montieren des Fangkorbs

Keine Teile werden benötigt

Verfahren

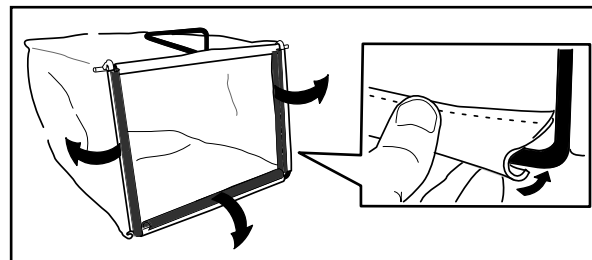


Bild 6

g230447

5

Aufladen der Batterie

Keine Teile werden benötigt

Verfahren

Nur Modelle mit Elektrostart

Siehe [Aufladen der Batterie \(Seite 23\)](#).

Produktübersicht

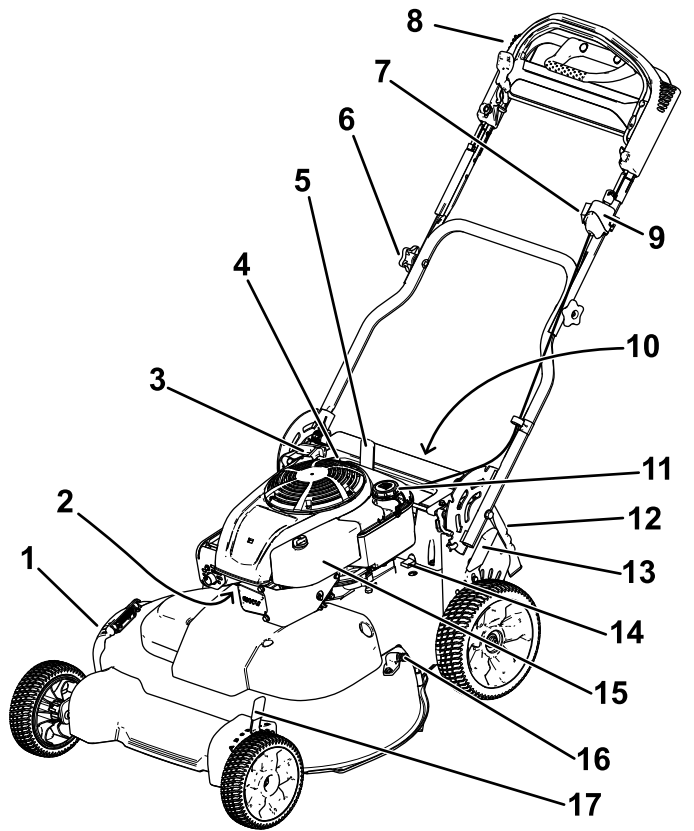
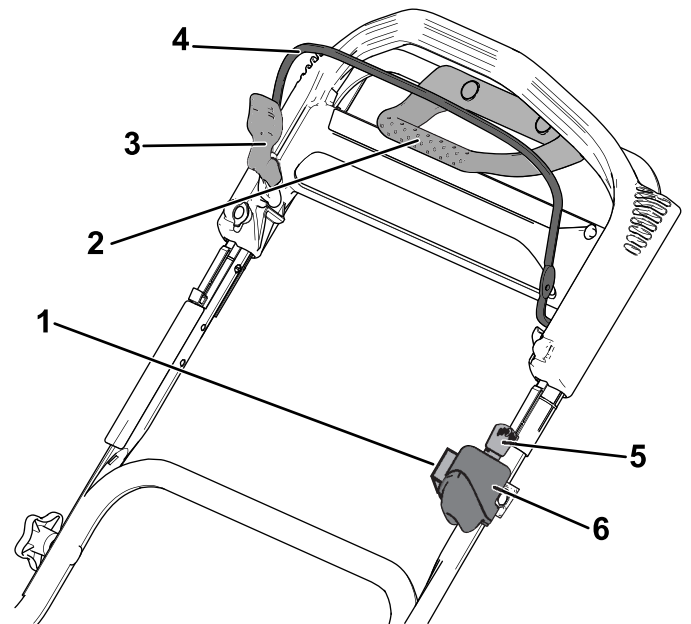


Bild 7

g289302

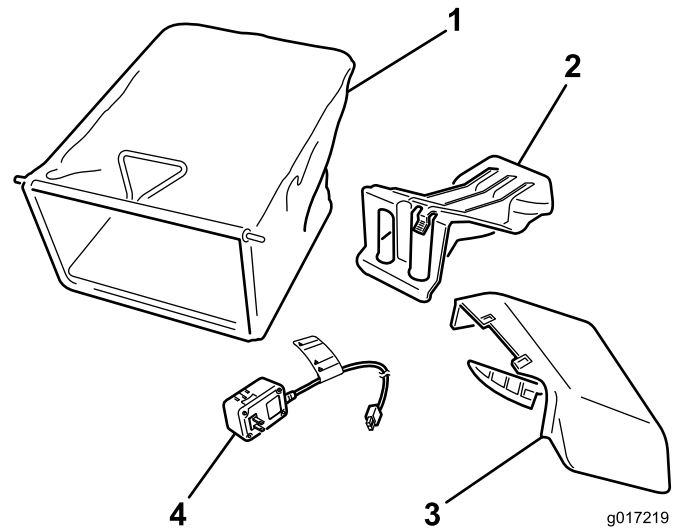
- | | |
|--------------------------------------------------------------------------------------|--------------------------------------------------------------------|
| 1. Seitenauswurfblech | 10. Batterie (nur bei Modellen mit Elektrostart; nicht abgebildet) |
| 2. Zündkerze | 11. Tankdeckel |
| 3. Rücklaufstartergriff | 12. Heckablenkblech |
| 4. Einfüllstutzen/Ölpeilstab | 13. Hinterer Schnitthöheneinstellhebel |
| 5. Holmarretierhebel | 14. Sicherung |
| 6. Holmhandrad (2) | 15. Luftfilter |
| 7. Einstellung für die Selbstantrieb | 16. Wasseranschluss |
| 8. Oberer Holm | 17. Vorderer Schnitthöheneinstellhebel |
| 9. Zündschloss (nur Modell mit Elektrostart) oder Kippschalter (nur Standardmodelle) | |



g289303

Bild 8
Oberer Holm

- | | |
|--------------------------------------|--------------------------------------------------------------------------------------|
| 1. Einstellung für die Selbstantrieb | 4. Schaltbügel |
| 2. Antischlupfregelungsgriff | 5. Zündschlüssel (nur bei Modell mit Elektrostart) |
| 3. Schaltbügelsperre | 6. Zündschloss (nur Modell mit Elektrostart) oder Kippschalter (nur Standardmodelle) |



g017219

g017219

Bild 9

- | | |
|---------------------------------|----------------------------------------------------------|
| 1. Fangkorb | 3. Seitenauswurfkanal |
| 2. Heckauswurfklappe (montiert) | 4. Batterieladegerät (nur bei Modellen mit Elektrostart) |

Technische Daten

Modell	Gewicht	Länge	Breite	Höhe
21810	64 kg (140 lb)	65 Zoll (65")	81 cm	114 cm (45")
21811	66 kg (145 lb)			

Anbaugeräte/Zubehör

Ein Sortiment an von Toro zugelassenen Anbaugeräten und Zubehör wird für diese Maschine angeboten, um den Funktionsumfang des Geräts zu erhöhen und zu erweitern. Wenden Sie sich an einen offiziellen Vertragshändler oder einen offiziellen Toro-Distributor oder navigieren Sie zu www.Toro.com für eine Liste der zugelassenen Anbaugeräte und des Zubehörs.

Verwenden Sie, um die optimale Leistung und Sicherheit zu gewährleisten, nur Originalersatzteile und -zubehöerteile von Toro. Ersatzteile und Zubehör anderer Hersteller können gefährlich sein und eine Verwendung könnte die Garantie ungültig machen.

Betrieb

Hinweis: Bestimmen Sie die linke und rechte Seite der Maschine anhand der üblichen Betriebsposition.

Vor dem Einsatz

Sicherheitshinweise vor der Inbetriebnahme

Allgemeine Sicherheit

- Stellen Sie immer den Maschine ab, ziehen Sie den Zündschlüssel ab (sofern vorhanden), warten Sie, bis alle beweglichen Teile zum Stillstand gekommen sind, und lassen Sie die Maschine abkühlen, bevor Sie sie einstellen, warten, reinigen, oder einlagern.
- Machen Sie sich mit dem sicheren Einsatz des Geräts, der Bedienelemente und den Sicherheitsaufklebern vertraut.
- Prüfen Sie, ob alle Schutzvorrichtungen und Sicherheitsvorrichtungen, wie z. B. Ablenkleche und/oder Grasfangkörbe montiert sind und richtig funktionieren.
- Überprüfen Sie immer die Maschine und stellen Sie sicher, dass die Schnittmesser und -schrauben nicht abgenutzt oder beschädigt sind.

- Prüfen Sie den Arbeitsbereich der Maschine und entfernen Sie alle Objekte, die sich auf den Einsatz der Maschine auswirken oder von ihr aufgeschleudert werden könnten.
- Der Kontakt mit einem sich drehenden Messers kann es zu schweren Verletzungen führen. Führen Sie Ihre Finger beim Einstellen der Schnitthöhe nie unter das Mähwerk.

Kraftstoffsicherheit

- Kraftstoff ist extrem leicht entflammbar und hochexplosiv. Feuer und Explosionen durch Kraftstoff können Verbrennungen und Sachschäden verursachen.
 - Stellen Sie den Kanister bzw. die Maschine vor dem Auftanken auf den Boden und nicht auf ein Fahrzeug oder auf ein Objekt, um eine elektrische Ladung durch das Entzünden des Kraftstoffs zu vermeiden.
 - Füllen Sie den Kraftstofftank im Freien auf, wenn der Motor kalt ist. Wischen Sie verschütteten Kraftstoff auf.
 - Rauchen Sie nicht beim Umgang mit Kraftstoff, und gehen Sie nicht in der Nähe von offenem Feuer oder Funken mit Kraftstoff um.
 - Betanken Sie die Maschine nie bei laufendem oder heißem Motor oder entfernen Sie den Tankdeckel.
 - Lassen Sie den Motor nie bei Kraftstoffverschüttungen an. Vermeiden Sie, dass Sie Zündquellen schaffen, bis die Kraftstoffdämpfe verdunstet sind.
 - Bewahren Sie Kraftstoff in vorschriftsmäßigen, für Kinder unzugänglichen Kanistern auf.
- Kraftstoff ist bei Einnahme gesundheitsschädlich oder tödlich. Wenn eine Person langfristig Benzindünsten ausgesetzt ist, kann dies zu schweren Verletzungen und Krankheiten führen.
 - Vermeiden Sie das langfristige Einatmen von Benzindünsten.
 - Halten Sie Ihre Hände und das Gesicht vom Füllstutzen und der Öffnung des Kraftstofftanks fern.
 - Halten Sie Kraftstoff von Augen und der Haut fern.

Betanken

- Die besten Ergebnisse erhalten Sie, wenn Sie sauberes, frisches, bleifreies Benzin mit einer Mindestoktanzahl von 87 (R+M)/2 verwenden.
- Mit Sauerstoff angereicherter Kraftstoff mit 10 % Ethanol oder 15 % MTBE (Volumenanteil) ist auch geeignet.
- Verwenden Sie **keine** Benzin-Ethanolmischungen (z. B. E15 oder E85) mit mehr als 10 % Ethanol (Volumenanteil). Sonst können Leistungsprobleme und/oder Motorschäden auftreten, die ggf. nicht von der Garantie abgedeckt sind.
- Verwenden Sie **kein** Benzin mit Methanol.
- Lagern Sie **keinen** Kraftstoff im Kraftstofftank oder in Kraftstoffbehältern über den Winter, wenn Sie keinen Kraftstoffstabilisator verwenden.
- Vermischen Sie **nie** Benzin mit Öl.

Füllen Sie den Kraftstofftank mit frischem, bleifreiem Normalbenzin von einer angesehenen Tankstelle.

Wichtig: Geben Sie die Menge des Kraftstoffstabilisators bzw. -konditionierers in den frischen Kraftstoff, wie vom Hersteller des Kraftstoffstabilisators vorgeschrieben, um Startprobleme zu vermeiden.

1. Reinigen Sie den Bereich um den Tankdeckel und nehmen den Deckel ab.

Wichtig: Diese Maschine hat einen Premium-Kraftstofftank, der einen Schaumeinsatz hat, um eine Bewegung des Kraftstoffs zu verhindern. Entfernen Sie nie den Schaumeinsatz, da er ermöglicht, dass der Motor den ganzen Kraftstoff im Kraftstofftank verwendet (A in Bild 10).

Hinweis: Füllen Sie den Kraftstofftank nur bis zur Unterseite des Einfüllstutzens (B in Bild 10).

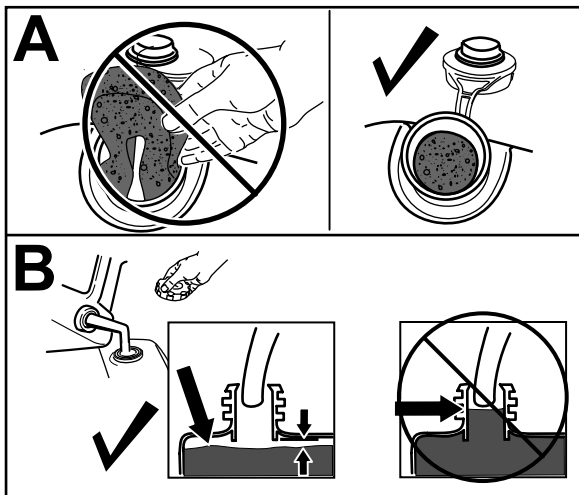


Bild 10

g234916

2. Setzen Sie den Tankdeckel auf und ziehen ihn mit der Hand fest.

Prüfen des Motorölstands

Wartungsintervall: Bei jeder Verwendung oder täglich

Wichtig: Wenn der Ölstand im Kurbelgehäuse zu hoch oder zu niedrig ist, und Sie den Motor laufen lassen, können Motorschäden auftreten.

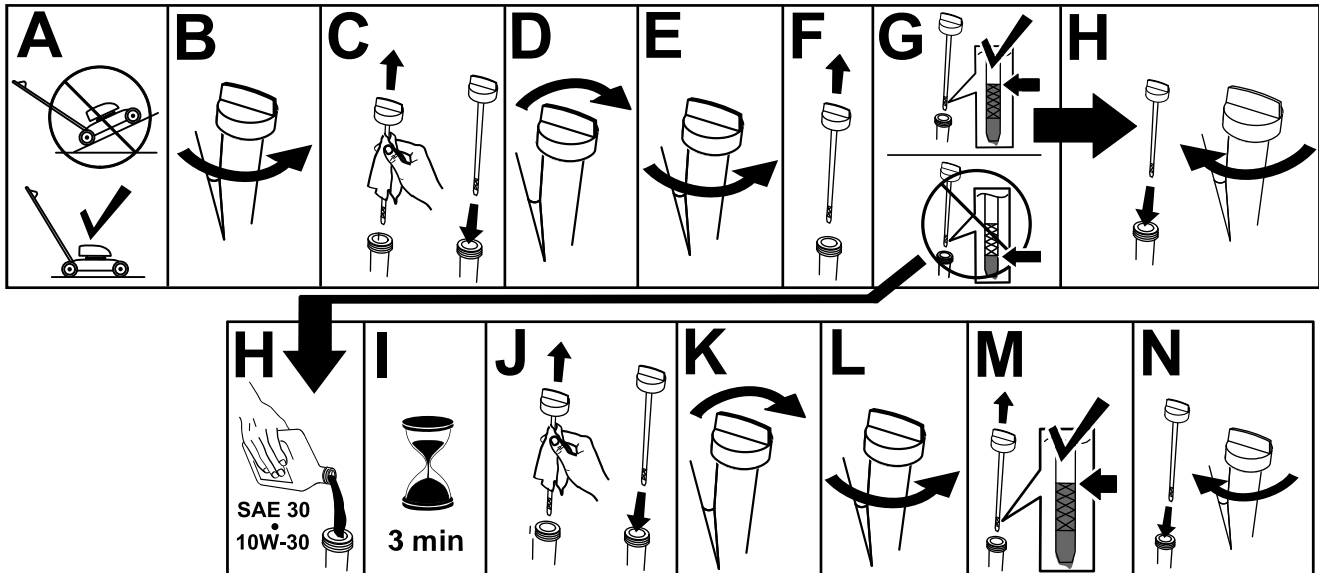


Bild 11

g222533

Einstellen der Holmhöhe

Sie können den Holm auf eine für Sie passende Höhe anheben oder absenken.

Ziehen Sie den Holmarretierhebel des Holms nach hinten, um die Holmarretierhebelstifte zu lösen, bewegen Sie den Holm in eine der vier Positionen und lassen Sie den Holmarretierhebel los, um den Holm zu arretieren. (Bild 12).

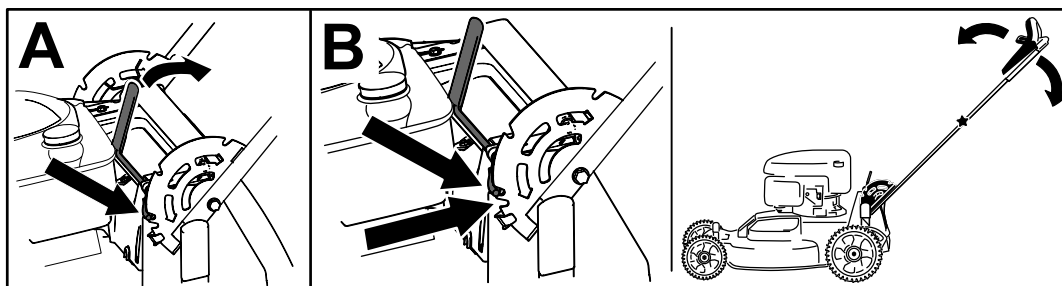


Bild 12

g273086

Einstellen der Schnitthöhe

⚠ ACHTUNG

Wenn der Motor gerade lief, ist der Auspuff heiß und Sie könnten sich verbrennen.

Berühren Sie nie den heißen Auspuff.

Hinweis: Schieben Sie zum Anheben der Maschine die vorderen und hinteren Schnitthöhenhebel nach vorne. Schieben Sie die Hebel zum Absenken der Maschine nach hinten. Stellen Sie alle Räder auf dieselbe Höhe ein; es sei denn, es bestehen bestimmte Umstände, siehe [Betriebshinweise \(Seite 18\)](#).

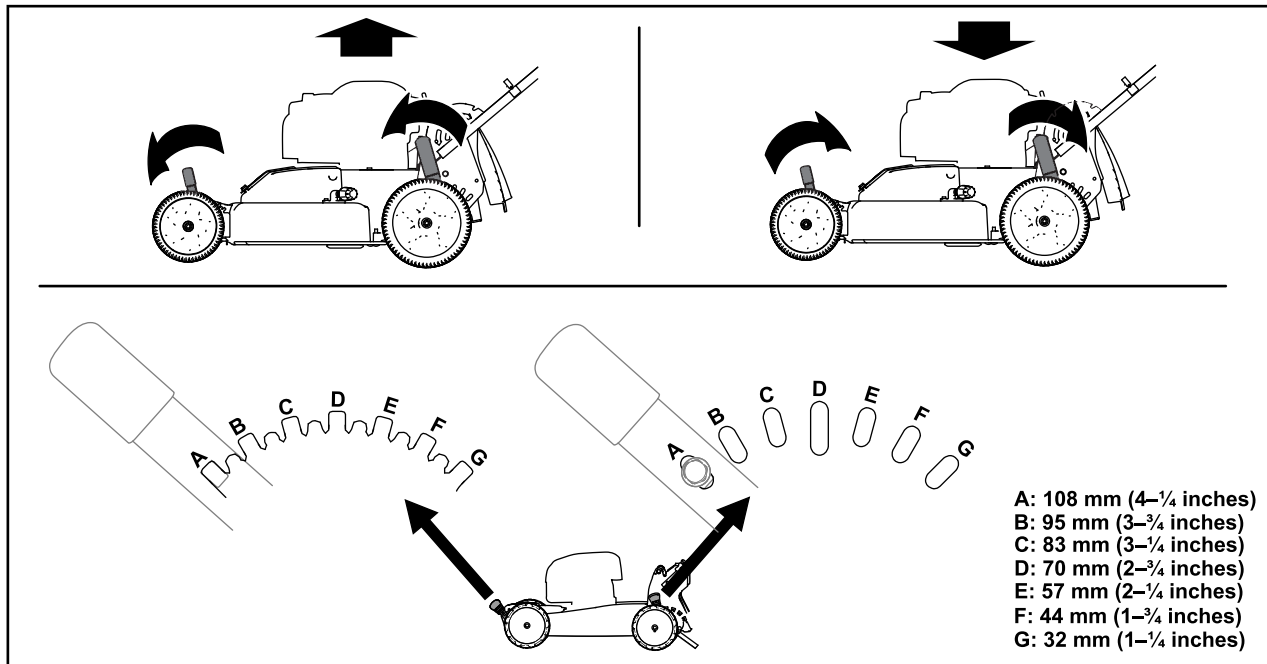


Bild 13

g224172

Während des Einsatzes

Hinweise zur Sicherheit während des Betriebs

Allgemeine Sicherheit

- Tragen Sie geeignete Kleidung, u. a. eine Schutzbrille, lange Hosen, rutschfeste Arbeitsschuhe und einen Gehörschutz. Binden Sie lange Haare hinten zusammen und tragen Sie keinen Schmuck oder weite Kleidung.
- Konzentrieren Sie sich immer bei der Verwendung der Maschine. Tun Sie nichts, was Sie ablenken könnte, sonst können Verletzungen oder Sachschäden auftreten.
- Bedienen Sie die Maschine nicht, wenn Sie müde oder krank sind oder unter Alkohol- oder Drogeneinfluss stehen.
- Das Messer ist scharf; ein Kontakt damit kann zu schweren Verletzungen führen. Stellen Sie vor dem Verlassen der Bedienerposition den Motor ab, ziehen Sie die Zündschlüssel (nur Modelle mit Elektro-Sofortstart) ab und warten, bis alle beweglichen Teile zum Stillstand gekommen sind.
- Wenn Sie den Schaltbügel loslassen, sollten der Motor und das Messer innerhalb von drei Sekunden abstellen. Wenn dies nicht der Fall ist, setzen Sie die Maschine nicht mehr ein und wenden sich sofort an einen offiziellen Vertragshändler.
- Halten Sie umstehende Personen vom Arbeitsbereich fern. Halten Sie kleine Kinder aus dem Mähbereich fern und unter Aufsicht eines verantwortlichen Erwachsenen, der nicht die Maschine bedient. Stellen Sie, wenn jemand den Arbeitsbereich betritt, sofort die Maschine ab.
- Schauen Sie immer nach unten und nach hinten, bevor Sie die Maschine rückwärts bewegen.

- Setzen Sie die Maschine nur bei guten Sichtverhältnissen und geeigneten Witterungsbedingungen ein. Fahren Sie die Maschine nie bei Gewitter, bzw. wenn Gefahr durch Blitzschlag besteht.
- Nasses Gras und/oder nasse Blätter können zu schweren Verletzungen führen, sollten Sie darauf ausrutschen und mit dem Messer in Berührung kommen. Vermeiden Sie Mäharbeiten bei nassen Umgebungsbedingungen.
- Gehen Sie beim Anfahren von blinden Ecken, Sträuchern, Bäumen und anderen Gegenständen, die Ihre Sicht behindern können, vorsichtig vor.
- Werfen Sie das Schnittgut nicht gegen Personen aus. Vermeiden Sie, Material gegen eine Wand oder ein Hindernis auszuwerfen, da das Material auf Sie zurückprallen kann. Stellen Sie das/die Messer ab, wenn Sie eine Kiesoberflächen überqueren.
- Achten Sie auf Löcher, Rillen, Bodenwellen, Steine oder andere verborgene Objekte. Unebenes Gelände kann dazu führen, dass Sie das Gleichgewicht oder den Halt verlieren.
- Stellen Sie den Motor sofort ab, wenn der Mäher auf einen Gegenstand aufprallt oder anfängt zu vibrieren, ziehen den Zündschlüssel (falls vorhanden) ab, warten, bis alle beweglichen Teile zum Stillstand gekommen sind und ziehen den Zündkerzenstecker ab, bevor Sie den Mäher auf eventuelle Beschädigungen untersuchen. Führen

Sie die erforderlichen Reparaturarbeiten aus, bevor Sie die Maschine erneut einsetzen.

- Stellen Sie vor dem Verlassen der Bedienungsposition den Motor ab, ziehen Sie den Zündschlüssel (nur Modelle mit Elektrostart) ab und warten, bis alle beweglichen Teile zum Stillstand gekommen sind.
- Der Motor ist nach dem Betrieb sehr heiß und Sie könnten sich verbrennen. Berühren Sie nie den heißen Motor.
- Betreiben Sie den Motor nur in gut belüfteten Bereichen. Die Abgase enthalten Kohlenmonoxid, das beim Einatmen tödlich ist.
- Prüfen Sie die Teile des Fangkorbs und des Auswurfkanals häufig auf Risse oder Abnutzung und wechseln Sie sie ggf. mit Originalteilen von Toro aus.

Sicherheit an Hanglagen

- Mähen Sie immer quer zum Hang, nicht hangaufwärts oder -abwärts. Gehen Sie beim Richtungswechsel an Hanglagen äußerst vorsichtig vor.
- Versuchen Sie nicht, steile Hanglagen zu mähen. Ein schlechter Halt kann zu Rutsch- und Fallunfällen führen.
- Gehen Sie bei Mäharbeiten in der Nähe von steilen Gefällen, Gräben oder Böschungen besonders vorsichtig vor.

Anlassen des Motors

Standardmodell

Ziehen Sie langsam am Rücklaufstartergriff, bis Sie einen Widerstand spüren. Ziehen Sie ihn dann kräftig durch. Lassen Sie das Seil langsam zum Motor zurücklaufen.

Hinweis: Wenn die Maschine nach mehreren Versuchen nicht anspringt, wenden Sie sich an den offiziellen Vertragshändler.

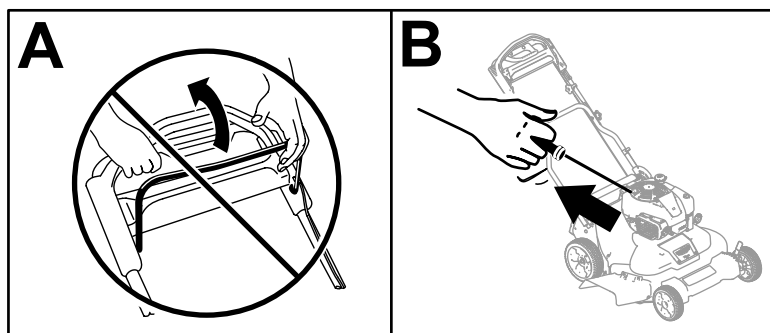


Bild 14

g234917

Modell mit Elektrostart

Sie können den Motor an Modellen mit Elektrostart entweder mit dem Zündschlüssel oder dem Rücklaufstartergriff anlassen.

- **Zündschlüssel:**

1. Laden Sie den Akku 24 Stunden lang auf, bevor Sie das Gerät zum ersten Mal benutzen (A in Bild 15).

Wichtig: Versuchen Sie nicht den Motor bei eingekuppeltem Schaltbügel anzulassen; sonst kann die Sicherung durchbrennen (B in Bild 15).

2. Stecken Sie den Zündschlüssel in die Zündung (C in Bild 15).
3. Drehen und halten Sie den Zündschlüssel auf die Anlass-Stellung, wenn der Motor startet, lassen Sie den Schlüssel los (D in Bild 15).

Hinweis: Halten Sie den Zündschlüssel höchstens 5 Sekunden in der Start-Stellung, um ein Durchbrennen des Startermotors zu vermeiden.

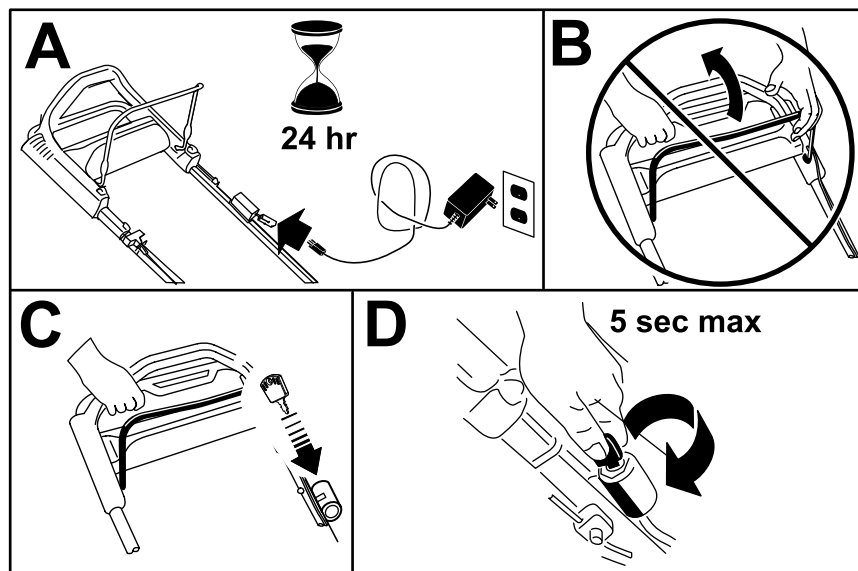


Bild 15

g234919

- **Rücklaufstartergriff:**

1. Drehen Sie den Zündschlüssel in die LAUF-Stellung (A in [Bild 16](#)).

Wichtig: Versuchen Sie nicht den Motor bei eingekuppeltem Schaltbügel anzulassen; sonst kann die Sicherung durchbrennen (B in [Bild 16](#)).

2. Ziehen Sie langsam am Rücklaufstartergriff, bis Sie einen Widerstand spüren. Ziehen Sie ihn dann kräftig durch (C in [Bild 16](#)). Lassen Sie das Seil langsam zum Motor zurücklaufen.

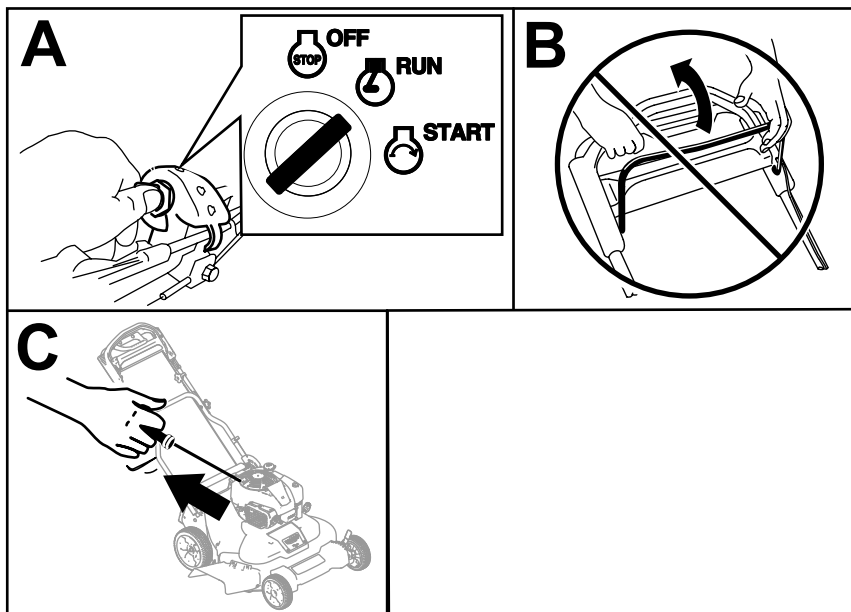


Bild 16

g234918

Verwenden des Selbstantriebs

Für den Selbstantrieb müssen Sie einfach gehen, während Sie den oberen Holm anfassen und die Ellbogen an den Seiten sind. Die Maschine hält automatisch mit Ihnen Schritt ([Bild 17](#)).

Hinweis: Der Selbstantrieb der Maschine funktioniert bei ein- oder ausgekuppelten Messern.

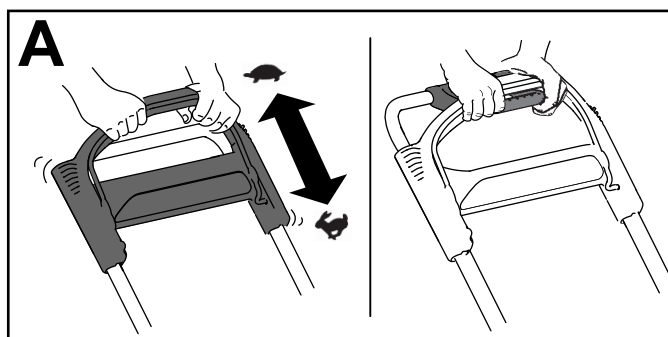


Bild 17

g244853

Hinweis: Verwenden Sie den Antischlupfregelungsgriff in Situationen, in denen Sie mehr Kontrolle benötigen, als Sie nur mit dem Selbstantrieb haben.

Abstellen des Motors

Standardmodell

Halten Sie den Kippschalter (Bild 18) in der STOPP-Stellung gedrückt, bis der Motor abstellt.

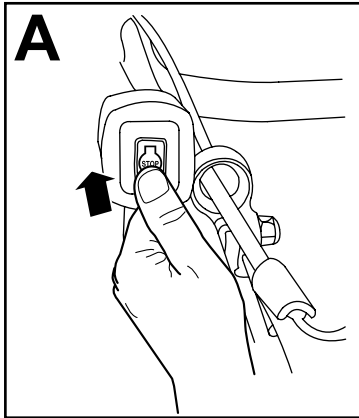


Bild 18

g234921

Modell mit Elektrostart

1. Drehen Sie den Zündschlüssel in die Aus-Stellung (A in Bild 19).
2. Wenn der Motor abgestellt ist, ziehen Sie den Zündschlüssel ab und nehmen ihn mit, wenn Sie sich von der Maschine entfernen (B in Bild 19).

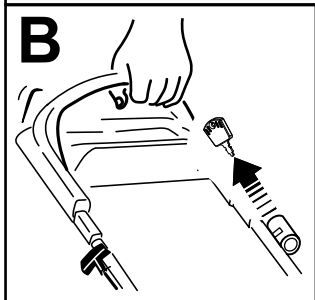
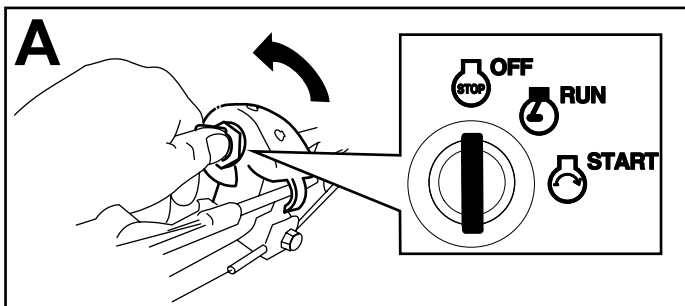


Bild 19

g234920

Einkuppeln der Messer

Wenn Sie den Motor anlassen, drehen sich die Messer nicht. Sie müssen die Messer zum Mähen einkuppeln.

1. Ziehen Sie die Schaltbügelsperre zum Schaltbügel (Bild 20).

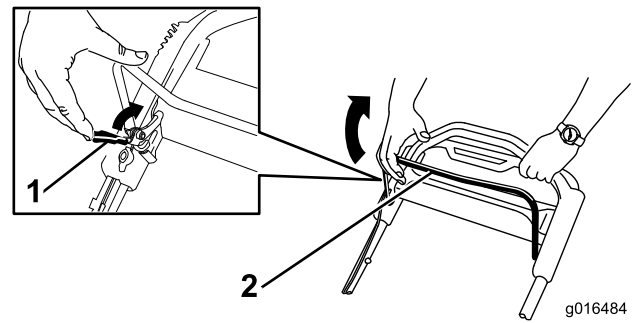


Bild 20

g016484

g016484

1. Schaltbügelsperre
2. Schaltbügel

2. Ziehen Sie den Schaltbügel **langsam** zum Holm (Bild 20).
3. Drücken Sie den Schaltbügel gegen den Holm (Bild 21).

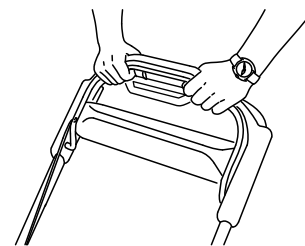


Bild 21

g193334

Auskuppeln der Messer

Lassen Sie den Schaltbügel los (Bild 22).

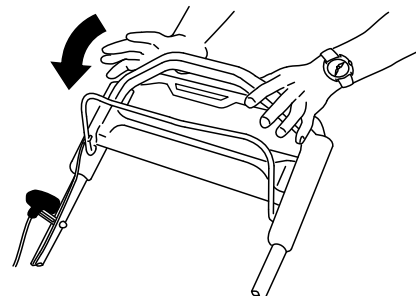


Bild 22

g193345

Wichtig: Wenn Sie den Schaltbügel loslassen, sollten die Messer innerhalb von 3 Sekunden abstellen. Wenn dies nicht der Fall ist, setzen Sie

die Maschine nicht mehr ein und wenden Sie sich sofort an einen offiziellen Vertragshändler.

Prüfen des Systems zum Anhalten des Messers

Wartungsintervall: Bei jeder Verwendung oder täglich

Stellen Sie sicher, dass die Messer innerhalb von drei Sekunden nach dem Loslassen des Schaltbügels abstellen.

Verwenden des Fangkorbs

Sie können das System zum Anhalten der Messer mit dem Fangkorb prüfen.

1. Nehmen Sie die Heckauswurfklappe ab.
2. Setzen Sie den leeren Fangkorb an der Maschine ein.
3. Lassen Sie den Motor an.
4. Kuppeln Sie die Messer ein.

Hinweis: Der Korb muss aufgeblasen werden; dies gibt an, dass sich die Messer drehen.

5. Beobachten Sie den Fangkorb und lassen den Schaltbügel los.

Hinweis: Wenn die Luft im Fangkorb nicht innerhalb von drei Sekunden nach dem Loslassen des Schaltbügels entfernt ist, nimmt die Funktion des Systems zum Anhalten der Messer u. U. ab und kann zu einem unsicheren Betriebszustand führen. Lassen Sie die Maschine von einem offiziellen Vertragshändler prüfen und warten.

6. Stellen Sie den Motor ab und warten Sie, bis alle beweglichen Teile zum Stillstand gekommen sind.

Kein Verwenden des Grasfangkorbs

1. Fahren Sie die Maschine auf eine windgeschützte, befestigte Fläche.
2. Stellen Sie alle vier Räder auf die Schnitthöheneinstellung von 89 mm ein.
3. Knüllen Sie ein halbes Blatt Zeitungspapier zu einer Kugel zusammen, die unter das Rasenmähergehäuse passt (Durchmesser von ca. 76 mm).
4. Legen Sie die Papierkugel ca. 13 cm vor die Maschine.

5. Lassen Sie den Motor an.
6. Kuppeln Sie die Messer ein.
7. Lassen Sie den Schaltbügel los und zählen Sie bis zu drei Sekunden.
8. Wenn Sie drei erreicht haben, schieben Sie die Maschine schnell über das Zeitungspapier nach vorne.
9. Stellen Sie den Motor ab und warten Sie, bis alle beweglichen Teile zum Stillstand gekommen sind.
10. Gehen Sie zur Vorderseite der Maschine und prüfen Sie das Zeitungspapierknäuel.
Hinweis: Wenn das Knäuel nicht unter die Maschine ging, wiederhole Sie die Schritte 4 bis 10.
11. Wenn sich das Zeitungspapierknäuel aufgerollt hat oder zerschnitzelt wurde, wurde das Messer nicht richtig abgestellt, d. h. der Betrieb ist nicht sicher. Setzen Sie sich dann mit Ihrem Toro-Vertragshändler in Verbindung.

Schnittgutrecyclen

Diese Maschine ist werksseitig auf das Recyclen von Schnittgut und Laub eingestellt. Führen Sie folgende Schritte aus, um die Maschine für das Recyclen vorzubereiten:

- Wenn der Seitenauswurfkanal an der Maschine montiert ist, entfernen Sie ihn und senken Sie die Seitenauswurfklappe ab, siehe [Entfernen des Seitenauswurfkanals \(Seite 18\)](#).
- Nehmen Sie ggf. den Fangkorb ab, siehe [Entfernen des Fangkorbs \(Seite 17\)](#).
- Wenn die Heckauswurfklappe nicht eingesetzt ist, fassen Sie sie am Griff an, heben die Heckklappe an und setzen sie in den Heckauswurfkanal ein, bis der Riegel arretiert, siehe ([Bild 23](#)).

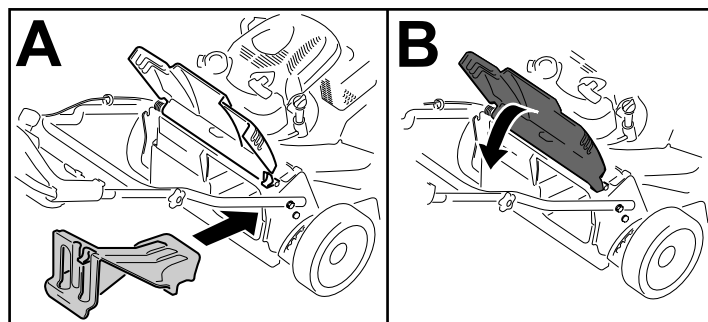


Bild 23

⚠️ WARNUNG:

Wenn Sie die Maschine zum Recyclen von Schnittgut ohne eingesetzte Klappe verwenden, können Objekte in ihre oder die Richtung von Unbeteiligten ausgeschleudert werden. Außerdem könnte es auch zum Kontakt mit dem Messer kommen. Herausgeschleuderte Objekte oder ein Berühren des Messers kann schwere oder tödliche Verletzungen verursachen.

Stellen Sie sicher, dass die Heckauswurfklappe eingesetzt ist, bevor Sie Schnittgut recyceln. Kuppeln Sie die Messer nur ein, wenn die Heckauswurfklappe oder der Fangkorb eingesetzt sind.

Sammeln des Schnittguts

Verwenden Sie den Fangkorb, wenn Sie Schnittgut und Laub im Fangkorb sammeln möchten.

Wenn der Seitenauswurfkanal an der Maschine montiert ist, entfernen Sie ihn, bevor Sie das Schnittgut im Fangkorb sammeln, siehe [Entfernen des Seitenauswurfkanals \(Seite 18\)](#).

Montieren des Fangkorbs

1. Heben Sie die Heckklappe an und halten Sie diese hoch (A in [Bild 24](#)).
2. Drücken Sie zum Entfernen der Heckauswurfklappe den Riegel mit dem Daumen nach unten und ziehen die Klappe aus der Maschine (B in [Bild 24](#)).
3. Setzen Sie die Fangkorbstange in die Kerben an der Unterseite des Holms ein und bewegen den Fangkorb nach vorne und hinten, um sicherzustellen, dass die Stange richtig in den Kerben sitzt (C in [Bild 24](#)).
4. Senken Sie die Heckklappe ab, bis sie auf dem Fangkorb aufliegt.

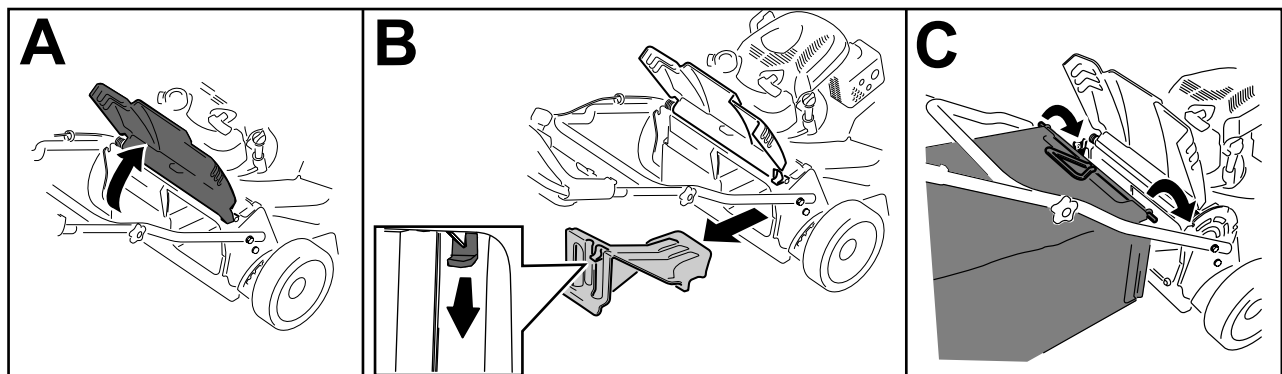


Bild 24

g244854

Entfernen des Fangkorbs

Wenn Sie den Fangkorb abnehmen möchten, gehen Sie umgekehrt vor als in [Montieren des Fangkorbs \(Seite 17\)](#).

Seitenauswurf des Schnittguts

Verwenden Sie den Seitenauswurf, wenn Sie sehr hohes Gras schneiden.

Nehmen Sie ggf. den Fangkorb ab und setzen Sie die Heckauswurfklappe ein, siehe [Entfernen des Fangkorbs \(Seite 17\)](#), bevor Sie den Seitenauswurf verwenden.

Wichtig: Stellen Sie sicher, dass die Heckauswurfklappe eingesetzt ist, bevor Sie den Rasenmäher als Recycler einsetzen ([Bild 23](#)).

Einbauen des Seitenauswurfkanals

Entriegeln und heben Sie das seitliche Ablenkblech an und setzen Sie den Seitenauswurfkanal ein ([Bild 25](#)).

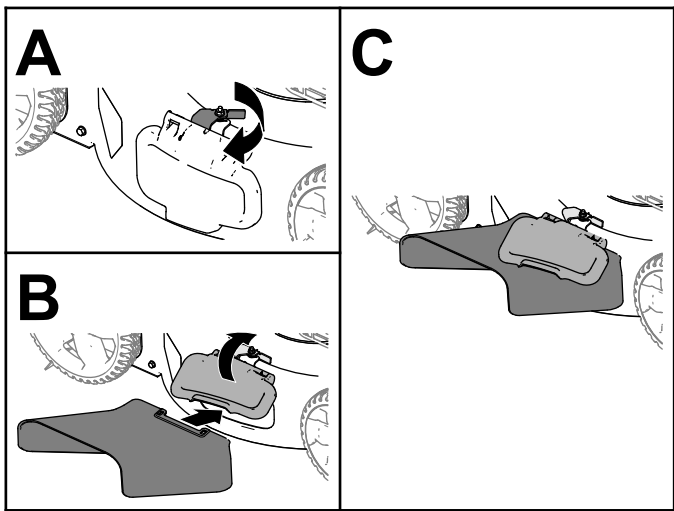


Bild 25

g235646

Entfernen des Seitenauswurfkanals

Heben Sie zum Entfernen des Seitenauswurfkanals das Seitenablenkblech an, nehmen den Seitenauswurfkanal ab und senken das Seitenablenkblech ab, bis es einrastet.

Betriebshinweise

Allgemeine Mähtipps

- Prüfen Sie den Arbeitsbereich gründlich und entfernen Sie alle Objekte, die von der Maschine aufgeschleudert werden könnten.
- Vermeiden Sie, dass die Messer auf Fremdkörper aufprallen. Mähen Sie nie absichtlich über irgendwelchen Gegenständen.
- Stellen Sie den Motor sofort ab, wenn der Mäher auf einen Gegenstand aufprallt oder anfängt zu vibrieren, ziehen den Zündschlüssel (falls vorhanden) ab, ziehen den Zündkerzenstecker ab und untersuchen Sie den Mäher auf eventuelle Beschädigungen.
- Montieren Sie für die optimale Leistung vor dem Saisonbeginn neue Messer.
- Tauschen Sie die Messer bei Bedarf durch ein Toro Ersatzmesser aus.

Mähen

- Mähen Sie immer nur ein Drittel des Grashalms in einem Durchgang. Mähen Sie nicht unter einer Einstellung von 51 mm, wenn das Gras sehr fein wächst, oder im Spätherbst, wenn das Graswachstum nachlässt.

- Stellen Sie beim ersten Durchgang die Schnitthöhe auf die höchste Einstellung und gehen langsamer, wenn Sie Gras mähen, das länger als 15 cm ist. Mähen Sie dann noch einmal mit einer niedrigeren Einstellung, um dem Rasen das gewünschte Schnittbild zu geben. Wenn das Gras zu lang ist, kann die Maschine verstopfen und der Motor kann abstellen.
- Nasses Gras und Laub neigen zum Verklumpen im Garten und können ein Verstopfen der Maschine und ein Abstellen des Motors verursachen. Vermeiden Sie Mäharbeiten bei nassen Umgebungsbedingungen.
- In sehr trockenen Bedingungen besteht eine Brandgefahr. Halten Sie alle lokalen Brandgefahrwarnungen ein und entfernen Sie trockenes Gras und Laub von der Maschine.
- Wechseln Sie häufig die Mährichtung. Dadurch verteilt sich das Schnittgut besser auf der Rasenfläche und bewirkt ein effektiveres Düngen.
- Probieren Sie bei einem unbefriedigenden Schnittbild des Rasens eine der folgenden Abhilfen aus:
 - Wechseln Sie die Messer aus oder lassen sie schärfen.
 - Gehen Sie beim Mähen langsamer.
 - Heben Sie die Schnitthöhe der Maschine an.
 - Mähen Sie häufiger.
 - Lassen Sie die Bahnen überlappen, anstelle bei jedem Gang eine neue Bahn zu mähen.

Schnetzeln von Laub

- Stellen Sie nach dem Mähen sicher, dass die Hälfte des Rasens durch die Schnittgutdecke sichtbar ist. Dabei müssen Sie unter Umständen mehrmals über das Laub mähen.
- Wenn eine Laubdecke von mehr als 13 cm auf dem Rasen liegt, mähen Sie mit einer höheren Schnitthöhe und dann mit der gewünschten Schnitthöhe.
- Mähen Sie langsamer, wenn die Maschine das Laub nicht fein genug häckselt.

Nach dem Einsatz

Hinweise zur Sicherheit nach dem Betrieb

Allgemeine Sicherheit

- Stellen Sie immer den Maschine ab, ziehen Sie den Zündschlüssel ab (sofern vorhanden), warten Sie, bis alle beweglichen Teile zum Stillstand

gekommen sind, und lassen Sie die Maschine abkühlen, bevor Sie sie einstellen, warten, reinigen, oder einlagern.

- Entfernen Sie Gras und Schmutz von der Maschine, um einem Brand vorzubeugen. Wischen Sie Öl- und Kraftstoffverschüttungen auf.
- Lagern Sie die Maschine oder den Benzinkanister nie an Orten mit offener Flamme, Funken oder Zündflamme, z. B. Warmwasserbereiter, oder andere Geräte.

Sicherheit beim Befördern

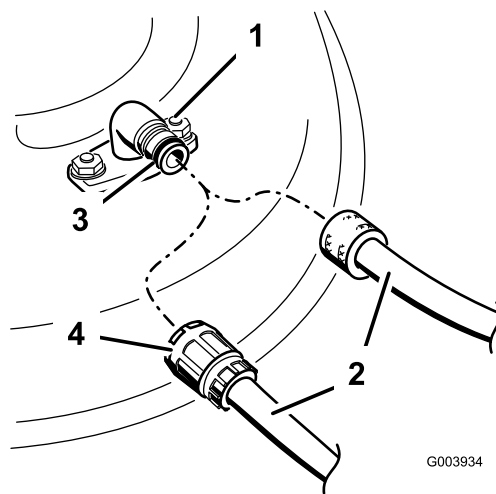
- Ziehen Sie den Zündschlüssel (falls vorhanden) ab, bevor Sie die Maschine für den Transport verladen.
- Gehen Sie beim Laden und Abladen der Maschine auf einen/von einem Transportmittel vorsichtig vor.
- Sichern Sie die Maschine für den Transport.

Reinigen unter dem Gerät

Wartungsintervall: Bei jeder Verwendung oder täglich

1. Stellen Sie die Maschine auf einer ebenen Fläche ab.
2. Stellen Sie den Motor ab und warten Sie, bis alle beweglichen Teile zum Stillstand gekommen sind, bevor Sie die Bedienungsposition verlassen.
3. Senken Sie die Maschine auf die niedrigste Schnitthöhe ab. Siehe [Einstellen der Schnitthöhe \(Seite 11\)](#).
4. Schließen Sie einen Schlauch an den Wasseranschluss an und drehen Sie das Wasser mit starkem Druck auf ([Bild 26](#)).

Hinweis: Überziehen Sie den O-Ring des Wasseranschlusses mit Vaseline, damit die Kupplung besser rutscht und der O-Ring geschützt wird.



G003934

g003934

Bild 26

- | | |
|--------------------|-------------|
| 1. Wasseranschluss | 3. O-Ring |
| 2. Schlauch | 4. Kupplung |

5. Lassen Sie den Motor an, kuppeln den Schaltbügel ein und lassen Sie die Maschine für eine bis drei Minuten mit drehenden Messern laufen.
6. Kuppeln Sie den Schaltbügel aus, stellen Sie den Motor ab und warten Sie, bis alle beweglichen Teile zum Stillstand gekommen sind.
7. Stellen Sie das Wasser ab und entfernen Sie die Kupplung vom Wasseranschluss.

Hinweis: Wenn die Maschine nach einer Reinigung noch nicht sauber ist, weichen Sie sie für 30 Minuten ein. Wiederholen Sie dann die Reinigung.

8. Lassen Sie die Maschine erneut für 1 bis 3 Minuten bei eingekuppelten Messern laufen, um überschüssiges Wasser zu entfernen.

⚠️ WARNUNG:

Bei einem gebrochenen oder fehlenden Wasseranschluss könnten Sie oder andere Personen von aufgeworfenen Gegenständen getroffen werden oder mit dem Schnittmesser in Berührung kommen. Ausgeschleuderte Gegenstände und die Berührung mit dem Schnittmesser können zu Verletzungen ggf. tödlichen führen.

- Tauschen Sie einen zerbrochenen oder fehlenden Wasseranschluss sofort aus, bevor Sie die Maschine erneut einsetzen.
- Stecken Sie Ihre Hände und Füße niemals unter die Maschine oder durch Öffnungen in der Maschine.

Wartung

Empfohlener Wartungsplan

Wartungsintervall	Wartungsmaßnahmen
Nach fünf Betriebsstunden	<ul style="list-style-type: none">• Wechseln Sie das Motoröl.
Bei jeder Verwendung oder täglich	<ul style="list-style-type: none">• Überprüfen Sie den Motorölstand und füllen Sie bei Bedarf Öl nach.• Prüfen Sie die Funktion der Messerbremse.• Entfernen Sie Schnittgut und Schmutz von der Unterseite des Mähwerks.• Prüfen Sie den Luftfilter und reinigen bzw. tauschen ihn ggf. aus.• Prüfen Sie die Schnittmesser.
Alle 25 Betriebsstunden	<ul style="list-style-type: none">• Laden Sie die Batterie für 24 Stunden auf (nur Modell mit Elektrostart).
Alle 50 Betriebsstunden	<ul style="list-style-type: none">• Reinigen Sie den Luftfilter aus (häufiger in staubigen Bedingungen).• Wechseln Sie das Motoröl.• Warten Sie die Messerantriebsanlage.
Alle 200 Betriebsstunden	<ul style="list-style-type: none">• Wechseln Sie den Luftfilter aus (häufiger unter staubigen Bedingungen).
Jährlich	<ul style="list-style-type: none">• Warten Sie den Luftfilter; warten Sie ihn häufiger in staubigen Bedingungen aus.• Wechseln Sie das Motoröl.• Warten Sie die Schnittmesser.
Jährlich oder vor der Einlagerung	<ul style="list-style-type: none">• Laden Sie die Batterie auf (nur Modell mit Elektrostart).• Entleeren Sie den Kraftstofftank laut Anweisung vor irgendwelchen Reparaturen und der Einlagerung.

Wichtig: Weitere Informationen zu Wartungsarbeiten finden Sie in der Motorbedienungsanleitung.

Wartungssicherheit

- Ziehen Sie den Zündkerzenstecker von der Zündkerze ab und ziehen den Zündschlüssel (nur Modelle mit Elektrostart) ab, bevor Sie Wartungsarbeiten ausführen.
- Tragen Sie beim Durchführen von Wartungsarbeiten Handschuhe und eine Schutzbrille.
- Das Messer ist scharf; ein Kontakt damit kann zu schweren Verletzungen führen. Tragen Sie Handschuhe, wenn Sie das Messer warten. Führen Sie keine Reparaturen oder Modifikationen an den Messern aus.
- Modifizieren Sie auf keinen Fall die Sicherheitsvorkehrungen. Prüfen Sie ihre einwandfreie Funktion in regelmäßigen Abständen.
- Ein Kippen der Maschine kann zu einem Verschütten von Kraftstoff führen. Kraftstoff ist entflammbar, explosiv und kann Verletzungen verursachen. Lassen Sie den Motor laufen, bis kein Kraftstoff mehr im Tank ist, oder pumpen Sie den Kraftstoff ab. Sie sollten auf keinen Fall versuchen, Kraftstoff abzusaugen.
- Um eine optimale Leistung der Maschine zu gewährleisten, verwenden Sie nur Original

Ersatzteile und Zubehör von Toro. Die Verwendung von Ersatzteilen und Zubehör von anderen Herstellern kann Gefahren bergen und zum Erlöschen der Garantie führen.

Vorbereiten für die Wartung

1. Stellen Sie den Motor ab, ziehen Sie den Zündschlüssel ab (falls vorhanden) und warten Sie, bis alle beweglichen Teile zum Stillstand gekommen sind.
2. Ziehen Sie den Kerzenstecker von der Zündkerze ab (Bild 27).

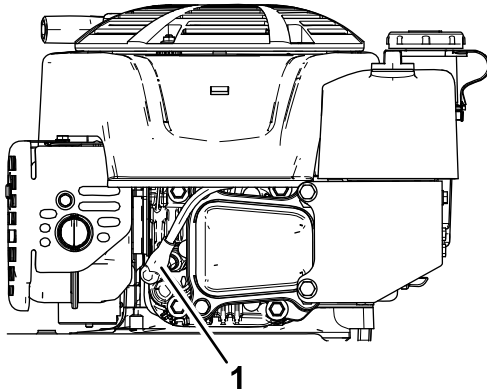


Bild 27

g191983

1. Zündkerzenstecker

3. Stecken Sie nach dem Abschluss der Wartungsarbeiten das Zündkabel wieder auf die Zündkerze.

Wichtig: Lassen Sie den Motor laufen, bis er aufgrund von Kraftstoffmangel abstellt, bevor Sie die Maschine kippen, um das Öl oder Messer zu wechseln. Wenn Sie die Maschine kippen müssen, während sich Kraftstoff im Tank befindet, pumpen Sie den Kraftstoff mit einer Handpumpe ab. Kippen Sie die Maschine immer so auf die Seite, dass der Peilstab nach unten zeigt.

⚠️ WARNUNG:

Ein Kippen der Maschine kann zu einem Verschütten von Kraftstoff führen. Kraftstoff ist entflammbar, explosiv und kann Verletzungen verursachen.

Lassen Sie den Motor laufen, bis kein Kraftstoff mehr im Tank ist, oder pumpen Sie den Kraftstoff ab. Sie sollten auf keinen Fall versuchen, Kraftstoff abzusaugen.

Warten des Luftfilters

Wartungsintervall: Bei jeder Verwendung oder täglich—Prüfen Sie den Luftfilter und reinigen bzw. tauschen ihn ggf. aus.

Alle 50 Betriebsstunden—Reinigen Sie den Luftfilter aus (häufiger in staubigen Bedingungen).

Jährlich—Warten Sie den Luftfilter; warten Sie ihn häufiger in staubigen Bedingungen aus.

Alle 200 Betriebsstunden—Wechseln Sie den Luftfilter aus (häufiger unter staubigen Bedingungen).

1. Lösen Sie die Befestigung und nehmen Sie die Luftfilterabdeckung ab (Bild 28).

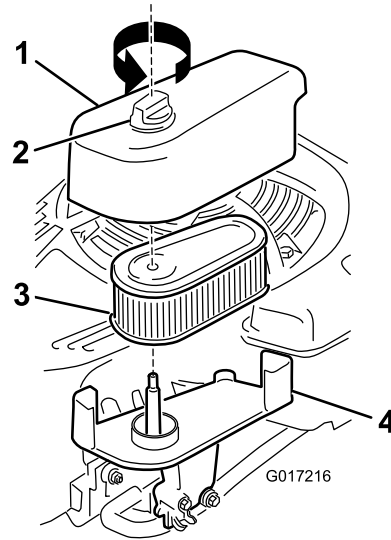


Bild 28

g017216

1. Abdeckung
2. Befestigung
3. Filter
4. Unterteil

2. Entfernen Sie den Filter und prüfen ihn.
 - Wechseln Sie den Filter aus, wenn er beschädigt oder mit Öl oder Kraftstoff befeuchtet ist.
 - Wenn der Filter schmutzig ist, klopfen Sie ihn mehrmals auf einer festen Oberfläche aus oder blasen Sie Druckluft (unter 2,07 bar) vom Innern des Filters.
- Hinweis:** Bürsten oder blasen Sie Schmutz nie von der Außenseite des Filters ab, beides drückt den Schmutz noch tiefer in die Fasern.
3. Reinigen Sie den Luftfilter und die Abdeckung mit einem feuchten Lappen. **Halten Sie Schmutz von der Luftöffnung fern.**
 4. Setzen Sie den Filter auf das Unterteil auf.
 5. Setzen Sie die Abdeckung auf und schrauben Sie die Befestigung fest.

Wechseln des Motoröls

Wartungsintervall: Nach fünf Betriebsstunden

Alle 50 Betriebsstunden

Jährlich

Hinweis: Lassen Sie den Motor ein paar Minuten laufen, bevor Sie das Öl wechseln, um es aufzuwärmen. Warmes Öl fließt besser und führt mehr Fremdstoffe mit sich.

Motorölsorte

Motorölmenge	0,53 l*
Ölviskosität	Waschaktives Öl der Sorte SAE 30 oder SAE 10W-30
API-Klassifikation	SJ oder höher

*Nach dem Ablassen des Öls befindet sich noch Restöl im Kurbelgehäuse. Nicht die gesamte Menge des Öls in das Kurbelgehäuse gießen. Füllen Sie das Kurbelgehäuse wie in den folgenden Schritten beschrieben mit Öl.

1. Stellen Sie die Maschine auf einer ebenen Fläche ab.
2. Siehe [Vorbereiten für die Wartung \(Seite 21\)](#).
3. Entfernen Sie den Peilstab, indem Sie den Deckel nach links drehen und herausziehen ([Bild 29](#)).

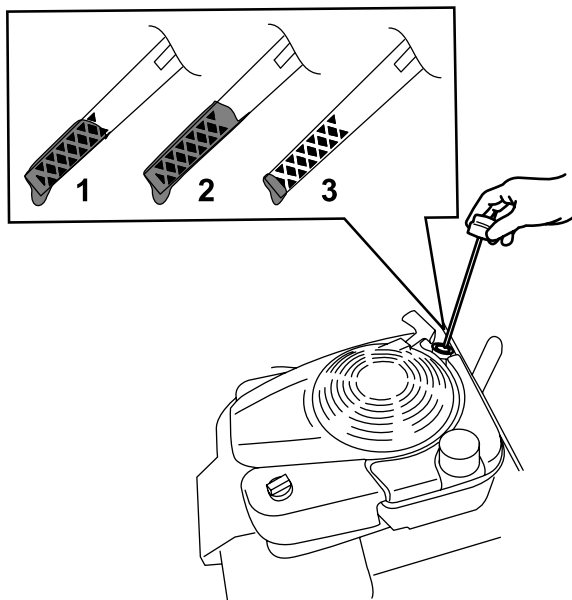
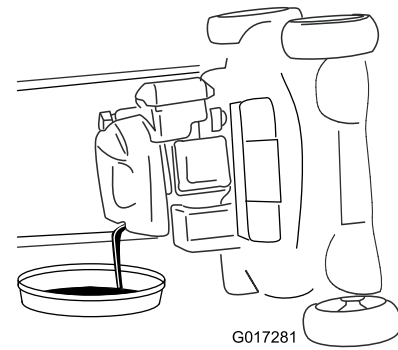


Bild 29

g193261

1. Voll
2. Hoch
3. Niedrig



G017281

Bild 30

g017281

5. Stellen Sie die Maschine nach dem Ablassen des Altöls wieder in die Betriebsstellung.
6. Gießen Sie ca. $\frac{3}{4}$ der Motorölfüllmenge langsam in den Öleinfüllstutzen.
7. Warten Sie drei Minuten, damit sich das Öl im Motor setzen kann.
8. Wischen Sie den Peilstab mit einem sauberen Lappen ab.
9. Stecken Sie den Peilstab in den Öleinfüllstutzen und ziehen ihn dann heraus.
10. Lesen Sie den Ölstand am Peilstab ab ([Bild 29](#)).
 - Wenn der Ölstand am Peilstab zu niedrig ist, füllen Sie langsam etwas Öl in den Öleinfüllstutzen, warten Sie drei Minuten und wiederholen Sie dann die Schritte [8](#) bis [10](#), bis der Ölstand am Peilstab richtig ist.
 - Wenn der Ölstand am Peilstab zu hoch ist, lassen Sie Öl ab, bis der Ölstand am Peilstab richtig ist.
11. Stecken Sie den Peilstab fest in den Einfüllstutzen.
12. Entsorgen Sie das Altöl ordnungsgemäß.

4. Kippen Sie die Maschine seitlich (Luftfilter nach oben), um das Altöl aus dem Öleinfüllstutzen abzulassen ([Bild 30](#)).

Aufladen der Batterie

Nur Modelle mit Elektrostart

Wartungsintervall: Alle 25 Betriebsstunden
Jährlich oder vor der Einlagerung

Laden Sie die Batterie anfänglich für 24 Stunden auf, danach monatlich (alle 25 Starts) oder je nach Bedarf. Setzen Sie das Ladegerät immer in einem geschützten Bereich ein, und laden Sie die Batterie immer bei Raumtemperatur (22° C) auf.

Hinweis: Die Maschine hat kein Ladesystem für die Lichtmaschine.

1. Schließen Sie das Ladegerät an den Kabelbaum an, der sich unter dem Zündschloss befindet (Bild 31).

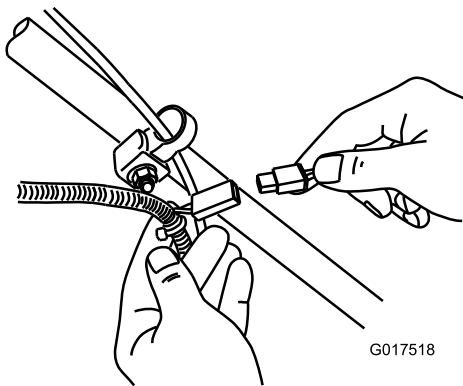


Bild 31

g017518

2. Schließen Sie das Ladegerät an eine Wandsteckdose an.

Hinweis: Wenn die Batterie laufend die Ladung verliert oder nicht mehr aufgeladen werden kann, entsorgen Sie die Batterie mit der Säure gemäß den örtlichen Vorschriften.

Hinweis: Das Batterieladegerät hat möglicherweise ein zweifarbiges LED, auf der die folgenden Ladezustände angezeigt werden:

- Ein rotes Licht gibt an, dass das Ladegerät die Batterie lädt.
- Ein grünes Licht gibt an, dass das Ladegerät ganz aufgeladen oder nicht an die Batterie angeschlossen ist.
- Ein zwischen rot und grün abwechselnd blinkendes Licht gibt an, dass die Batterie fast aufgeladen ist. Dieser Zustand dauert ein paar Minuten, bis die Batterie ganz aufgeladen ist.

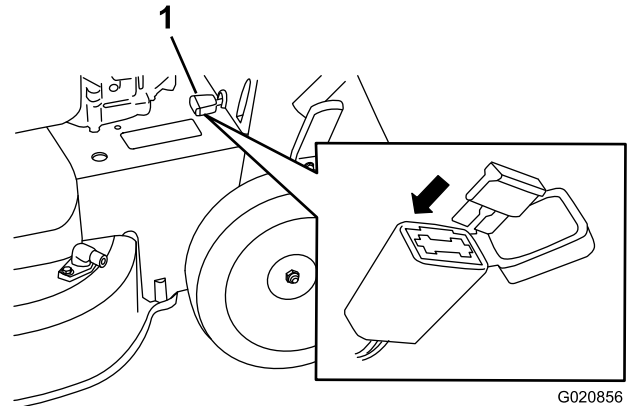
Austauschen der Sicherung

Nur Modelle mit Elektrostart

Wenn sich die Batterie nicht auflädt, oder der Motor mit dem Elektrostart sich nicht dreht, ist die Sicherung eventuell durchgebrannt. Ersetzen Sie sie durch eine 40-A-Sicherung vom Kfz-Typ.

Wichtig: Sie können die Maschine nur mit dem Elektrostart anlassen oder die Batterie aufladen, wenn eine gute Sicherung eingesetzt ist.

1. Öffnen Sie die abgedichtete Sicherungsfassung und wechseln Sie die Sicherung aus (Bild 32).



G020856

g020856

Bild 32

1. Sicherungsfassung

2. Schließen Sie die Abdeckung zur Sicherungsfassung und stellen sicher, dass sie dicht ist.

Auswechseln der Batterie

Nur Modelle mit Elektrostart

Entfernen der alten Batterie

1. Wenden Sie sich für eine Ersatzbatterie an den offiziellen Fachhändler.
2. Entfernen Sie die Riemenabdeckung; siehe Schritt 1 von [Warten des Messerantriebsystems](#) (Seite 25).
3. Nehmen Sie die Heckauswurfklappe ab.
4. Schieben Sie den Holm in die vertikale Stellung.
5. Entfernen Sie die vier kleinen Schrauben, mit denen die Heckklappe und der Holmarretierhebel befestigt sind.
6. Klappen Sie den Holm ganz nach vorne.
7. Entfernen Sie die Heckklappe und den Holmarretierhebel (Bild 33).

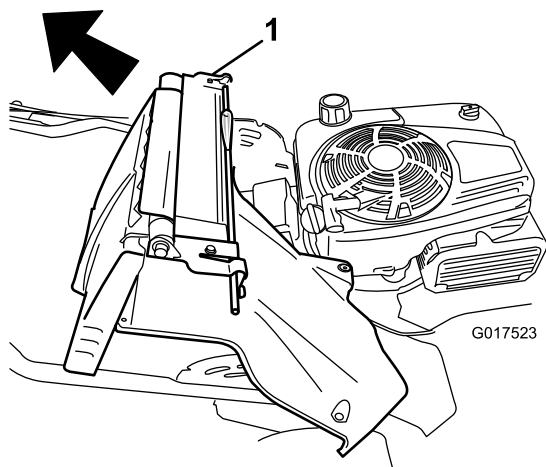


Bild 33

g017523

1. Heckklappe und Holmarretierhebel

8. Nehmen Sie die Abdeckung von der Batterie ab.
9. Schließen Sie die Kabel von der Batterie ab.
10. Nehmen Sie die Batterie heraus und entsorgen sie.

Hinweis: Entsorgen Sie die Batterie entsprechend den gültigen Vorschriften.

Einbauen der neuen Batterie

1. Reinigen Sie den Batteriebereich am Maschinengehäuse.
2. Setzen Sie die neue Batterie in das Maschinengehäuse ein.
3. Schließen Sie die Kabel an die neue Batterie an.

Hinweis: Stellen Sie sicher, dass Sie das schwarze Kabel (-) an den Minuspol und das rote Kabel (+) an den Pluspol anschließen.

4. Setzen Sie die Abdeckung auf die Batterie.

Hinweis: Stellen Sie sicher, dass die Abdeckung richtig über den Kabelbaum passt.

5. Befestigen Sie die Heckklappe und den Holmarretierhebel an der Maschine.
6. Heben Sie den Holm in die vertikale Stellung an.
7. Befestigen Sie die Abdeckung mit den vier kleinen Schrauben, die Sie in Schritt 5 von [Entfernen der alten Batterie \(Seite 23\)](#) entfernt haben.
8. Setzen Sie die Heckauswurfklappe ein.
9. Stellen Sie den Holm wieder in die Betriebsstellung.

Einstellen des Selbstantriebs

Nur für Modelle mit Selbstantrieb

Beim Einbau eines Selbstantriebsseils oder bei einer falschen Einstellung des Selbstantriebs müssen Sie den Selbstantrieb einstellen.

1. Drehen Sie die Einstellmutter nach links, um die Seileinstellung zu lösen ([Bild 34](#)).

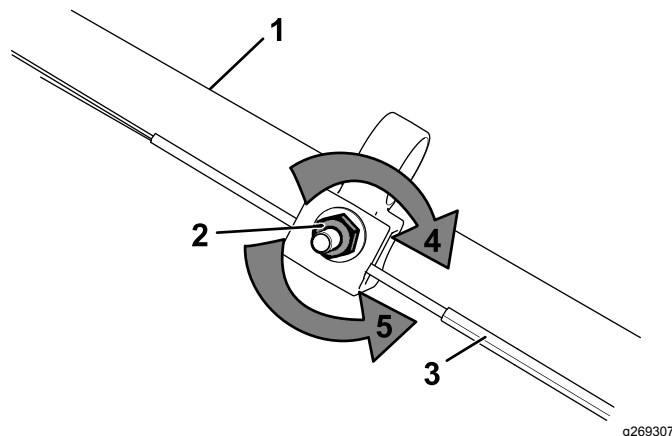


Bild 34

g269307

- | | |
|-----------------------|----------------------------------------------------------------------|
| 1. Holm (linke Seite) | 4. Drehen Sie die Mutter nach rechts, um die Einstellung anzuziehen. |
| 2. Einstellmutter | 5. Drehen Sie die Mutter nach links, um die Einstellung zu lösen. |
| 3. Selbstantriebsseil | |

2. Stellen Sie die Spannung des Seils ([Bild 34](#)) ein, indem Sie ihn zurückziehen oder nach vorne drücken und dann in dieser Stellung arretieren.

Hinweis: Drücken Sie den Zug zur Maschine, um den Antrieb zu erhöhen; ziehen Sie den Zug vom Motor weg, um den Antrieb zu verringern.

3. Drehen Sie die Mutter nach rechts, um die Zueinstellung zu anzuziehen.

Hinweis: Ziehen Sie die Mutter mit einem Steckschlüssel oder Schraubenschlüssel fest an.

Warten des Messerantriebssystems

Wartungsintervall: Alle 50 Betriebsstunden

1. Nehmen Sie die Abdeckung des Messerantriebs ab (Bild 35).

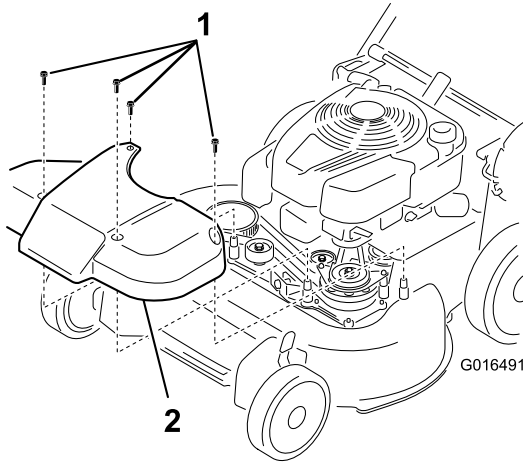


Bild 35

1. Schrauben
2. Abdeckung

2. Bürsten oder blasen Sie Rückstände von der Innenseite des Schutzblechs und von allen Teile heraus.
3. Halten Sie eine Fühlerlehre (0,25 mm), ein Papierstück oder einen Notizzettel gegen die Wand und schieben sie nach unten hinter die Riemenspannungsfeder.

Hinweis: Wenn ein sichtbarer Abstand zwischen der Fühlerlehre und der Feder besteht, ziehen Sie die Einstellschraube und Mutter an, bis das Papier fast nicht mehr in den Abstand eingeschoben oder herausgezogen werden kann (Bild 36).

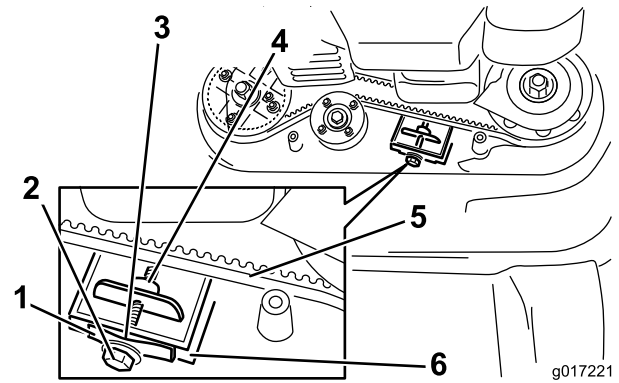


Bild 36

1. Riemenspannungsfeder
2. Einstellschraube
3. Abstand
4. Einstellmutter
5. Messertreibriemen
6. Wand

Wichtig: Ziehen Sie die Einstellschraube nicht zu fest. Sonst könnte der Messertreibriemen beschädigt werden.

4. Setzen Sie die vorher entfernte Abdeckung des Messerantriebs auf.

Warten der Schnittmesser

Wartungsintervall: Jährlich

Wichtig: Sie benötigen einen Drehmomentschlüssel für den richtigen Einbau des Messers. Wenn Sie keinen Drehmomentschlüssel haben oder diese Arbeit nicht ausführen möchten, wenden Sie sich an einen offiziellen Vertragshändler.

Prüfen Sie die Messer immer, wenn der Kraftstofftank leer ist. Wechseln Sie die Messer sofort aus, wenn sie beschädigt oder gerissen sind. Schärfen und wuchten Sie die Messerkanten aus, wenn sie stumpf sind oder Einkerbungen aufweisen. Wechseln Sie ggf. das Messer aus.

Wichtig: Tragen Sie immer gepolsterte Handschuhe, wenn Sie in der Nähe des Messers arbeiten.

⚠️ WARNUNG:

Ein abgenutztes oder beschädigtes Messer kann zerbrechen und Teile davon ausgeschleudert werden, und Sie oder Unbeteiligte treffen und schwere Verletzungen verursachen.

- Prüfen Sie die Messer regelmäßig auf Abnutzung oder Beschädigungen.
- Tauschen Sie ein abgenutztes oder defektes Messer aus.

Hinweis: Sorgen Sie während der ganzen Mähseason für scharfe Schnittmesser, weil scharfe Messer sauber schneiden, ohne die Grashalme abzureißen oder zu zerfetzen.

Vorbereitungen für das Warten der Schnittmesser

1. Arretieren Sie den Holm in der vertikalen Stellung (**Bild 37**), siehe [Einstellen der Holmhöhe](#) (Seite 10).

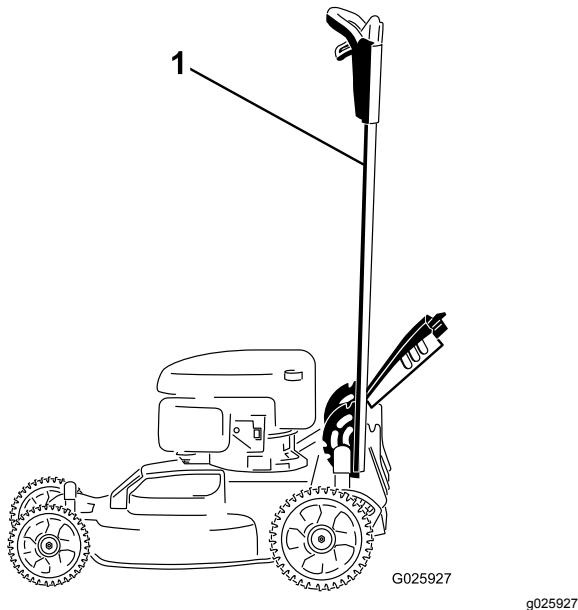


Bild 37

1. In der vertikalen Stellung arretierter Holm
-
2. Kippen Sie die Maschine (mit dem Peilstab nach unten) seitlich, bis der obere Holm auf dem Boden ist.

Prüfen der Messer

Wartungsintervall: Bei jeder Verwendung oder täglich

1. Untersuchen Sie die Schnittkanten (**Bild 38**). Bauen Sie die Schnittmesser aus und schärfen oder tauschen sie aus, wenn die Kanten nicht scharf sind oder Kerben aufweisen.

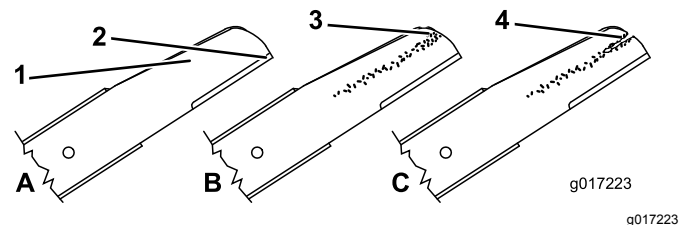


Bild 38

- | | |
|----------------------|-----------------------------|
| 1. Schnittkante | 3. Verschleiß/Rillenbildung |
| 2. Gebogener Bereich | 4. Riss |

2. Prüfen Sie die Schnittmesser, insbesondere den gebogenen Bereich (**Bild 38**). Wenn Sie Schäden, Verschleiß oder Rillenbildung in diesem Bereich feststellen, sollten Sie sofort ein neues Schnittmesser einbauen.

⚠ WARNUNG:

Wenn sich das Messer abnutzen kann, bildet sich ein Schlitz zwischen dem Windflügel und dem flachen Teil des Messers. Zuletzt kann sich ein Stück des Messers lösen und aus dem Gehäuse ausgeschleudert werden. Das kann zu schweren Verletzungen bei Ihnen selbst und Unbeteiligten führen.

- Prüfen Sie das Messer regelmäßig auf Abnutzung und Defekte.
- Versuchen Sie nie, ein verbogenes Messer gerade zu biegen oder ein zerbrochenes oder angerissenes Messer zu schweißen.
- Tauschen Sie ein abgenutztes oder defektes Messer aus.

3. Prüfen Sie auf verbogene Schnittmesser, siehe [Prüfen auf verbogene Schnittmesser](#) (Seite 27).

Prüfen auf verbogene Schnittmesser

1. Drehen Sie die Messer in die Stellung, die in [Bild 39](#) abgebildet ist.

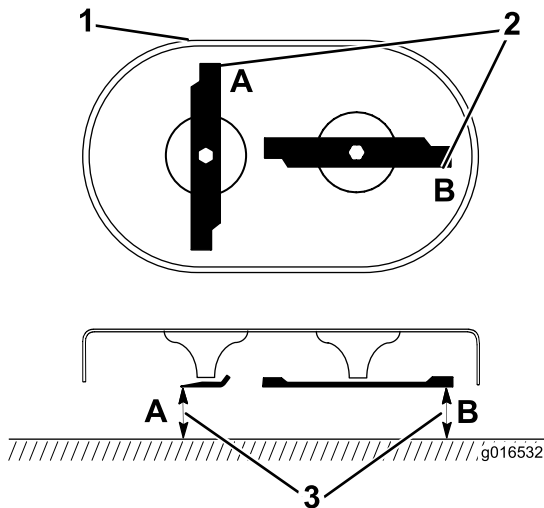


Bild 39

g016532

1. Vorderseite des Mähwerks
 2. Messen Sie an der Stelle A und B
 3. Messen Sie von der Schnittkante zur ebenen Oberfläche.
2. Messen Sie an den Stellen **A** und **B** von der ebenen Fläche zu den Schnittkanten ([Bild 39](#)) und notieren Sie beide Werte.
 3. Drehen Sie die Messer so, dass die anderen Enden an den Stellen **A** und **B** sind ([Bild 39](#)).
 4. Wiederholen Sie die Messungen in Schritt 2 und notieren Sie die Werte.

Hinweis: Wenn der Unterschied zwischen den Werte **A** und **B**, die in den Schritten 2 und 4 erhalten wurden, über 3 mm liegt, ist das Messer verbogen und muss ausgetauscht werden. Siehe [Entfernen der Messer \(Seite 27\)](#) und [Einbauen der Messer \(Seite 28\)](#).

⚠️ WARNUNG:

Ein verbogenes oder beschädigtes Messer kann brechen und Sie oder Unbeteiligte schwer verletzen oder töten.

- Ersetzen Sie verbogene oder beschädigte Messer immer durch neue.
- Feilen oder bilden Sie nie scharfe Auskerbungen an der Schnitt oder Oberfläche des Messers.

Entfernen der Messer

Wechseln Sie die Messer aus, wenn die Maschine einen festen Gegenstand berührt hat, oder ein Messer nicht ausgewuchtet oder verbogen ist. Verwenden Sie nur Toro Originalersatzmesser.

1. Halten Sie jedes Messer mit einem Holzblock fest und drehen Sie die Messerschraube nach links, wie in [Bild 40](#) dargestellt.

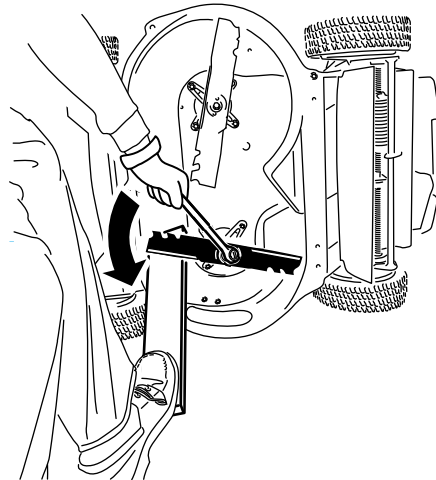


Bild 40

g232790

2. Entfernen Sie jedes Messer, siehe [Bild 41](#).

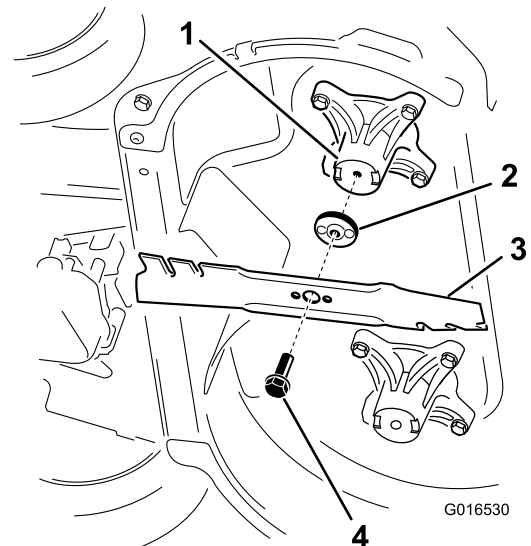


Bild 41

G016530

g016530

1. Spindel (2)
2. Messermitnehmer (2)
3. Messer (2)
4. Messerschraube (2)

3. Prüfen Sie die Stifte an den Messermitnehmern auf Abnutzung und Beschädigung.

Einbauen der Messer

1. Montieren Sie das erste Messer so, dass es horizontal ist, und alle Befestigungen, wie in [Bild 41](#) dargestellt.

Hinweis: Ziehen Sie die Schraube mit den Fingern an.

Wichtig: Die gebogenen Enden der Messer sollten zum Maschinengehäuse zeigen. Stellen Sie sicher, dass der angehobene Bereich an jedem Messermitnehmer in den Aussparungen im Kopf der entsprechenden Spindel liegt und die Stifte an der anderen Seite jedes Messermitnehmers mit den Löchern im entsprechenden Messer ausgefluchtet sind.

2. Halten Sie jedes Messer mit einem Brett fest und drehen Sie die Messerschraube mit einem Drehmomentschlüssel nach rechts, wie in [Bild 42](#) dargestellt. Ziehen Sie die Messerschraube mit 82 N·m an.

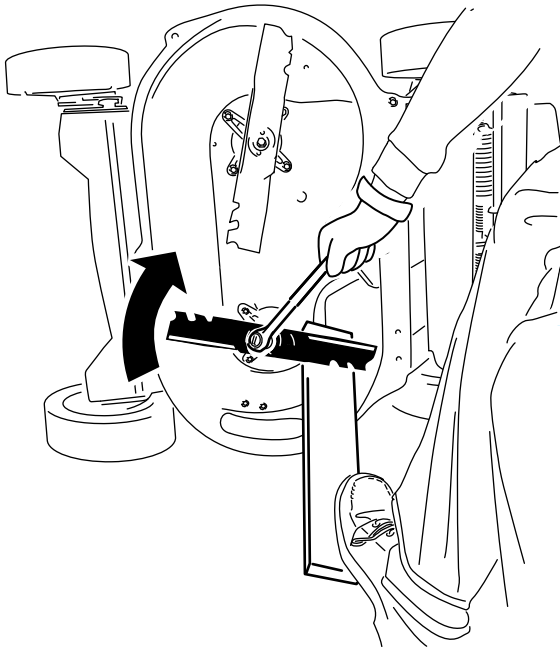
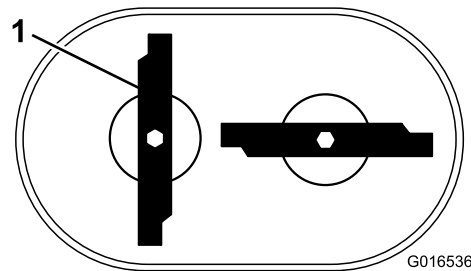


Bild 42

g232801

3. Drehen Sie das montierte Messer um eine Viertelumdrehung, bis es vertikal ist. Montieren Sie das andere Messer genauso wie das erste (siehe Schritt 1).

Hinweis: Die Messer sollten senkrecht sein und ein umgekehrtes T bilden, wie in [Bild 43](#) dargestellt.



G016536

Bild 43

g016536

1. Messer (2)

4. Ziehen Sie das zweite Messer an, siehe Schritt 2.

5. Drehen Sie die Messer mit der Hand um 360 Grad, um sicherzustellen, dass sie sich nicht berühren.

Hinweis: Wenn sich die Messer berühren, sind sie falsch montiert. Wiederholen Sie die Schritte 1 bis 3, bis sich die Messer nicht mehr berühren.

⚠️ WARNUNG:

Falsch montierte Messer können die Maschine beschädigen oder Sie oder andere Personen verletzen.

Montieren Sie die Messer vorsichtig.

Einlagerung

Lagern Sie die Maschine an einem kühlen, sauberen und trockenen Ort ein.

Sicherheit bei der Einlagerung

Stellen Sie immer den Maschine ab, ziehen Sie den Zündschlüssel ab (sofern vorhanden), warten Sie, bis alle beweglichen Teile zum Stillstand gekommen sind, und lassen Sie die Maschine abkühlen, bevor Sie sie einstellen, warten, reinigen, oder einlagern.

Allgemeine Angaben

1. Führen Sie die empfohlenen jährlichen Wartungsarbeiten aus, siehe [Wartung \(Seite 20\)](#).
2. Reinigen Sie die Unterseite des Maschinengehäuses, siehe [Reinigen unter dem Gerät \(Seite 19\)](#).
3. Entfernen Sie Schnittgut, Schmutz und Fettrückstände von den externen Teilen des Motors, der Motorhaube und der Oberseite des Geräts.
4. Prüfen Sie den Messerzustand; siehe [Prüfen der Messer \(Seite 26\)](#).
5. Warten Sie den Luftfilter; siehe [Warten des Luftfilters \(Seite 21\)](#).
6. Ziehen Sie alle Schrauben und Muttern an.
7. Bessern Sie Lackschäden mit Lack aus, den Sie von Ihrem Toro-Vertragshändler beziehen können.
8. **Nur Modelle mit Elektrostart:** Laden Sie die Batterie für 24 Stunden auf. Schließen Sie dann das Batterieladegerät ab und lagern die Maschine an einem nicht beheizten Ort. Wenn Sie die Maschine an einem beheizten Ort einlagern, müssen Sie die Batterie alle 90 Tage aufladen. Ziehen Sie den Zündschlüssel ab.
9. Klappen Sie den Holm für die Lagerung zusammen, siehe [1 Zusammen- und Aufklappen des Holms \(Seite 4\)](#).

Vorbereiten der Kraftstoffanlage

⚠️ WARNUNG:

Kraftstoff kann sich bei längerer Einlagerung verflüchtigen und bei Kontakt mit offenem Licht explodieren.

- Lagern Sie Kraftstoff nie für längere Zeit ein.
- Lagern Sie den Rasenmäher nie mit Kraftstoff im Tank oder im Vergaser in einem geschlossenen Bereich mit einer offenen Flamme ein. (Beispiel: Heizkessel oder Wasserheizgerät mit Zündflamme.)
- Lassen Sie den Motor abkühlen, bevor Sie das Gerät in einem geschlossenen Raum abstellen.

Füllen Sie beim letzten Betanken für das Jahr dem frischen Benzin einen Kraftstoffstabilisator zu. Folgen Sie dabei den Anweisungen des Motorherstellers. Entleeren Sie den Kraftstofftank beim letzten Mähen der Saison, bevor Sie den Rasenmäher einlagern.

1. Lassen Sie die Maschine so lange laufen, bis der Motor infolge von Benzinknappheit abstellt.
2. Starten Sie den Motor und lassen Sie ihn laufen, bis er abstellt. Wenn sich der Motor nicht mehr starten lässt, ist er ausreichend trocken.

Vorbereiten des Motors

1. Wechseln Sie das Öl bei warmem Motor aus, siehe [Wechseln des Motoröls \(Seite 22\)](#).
2. Ziehen Sie den Zündkerzenstecker von der Zündkerze ab und ziehen den Zündschlüssel (nur Modell mit Elektrostart) ab.
3. Nehmen Sie die Zündkerze heraus.
4. Gießen Sie mit einer Ölkanne ca. 30 ml Motoröl durch das Zündkerzenloch in den Motor.
5. Ziehen Sie langsam mehrmals am Starterkabel, um das Öl im Zylinder zu verteilen.
6. Setzen Sie die Zündkerze ein, aber setzen Sie den Zündkerzenstecker nicht auf. Befestigen Sie das Kabel so, dass es nicht die Zündkerze berührt.

Herausnehmen der Maschine aus der Einlagerung

1. Klappen Sie den Holm auf, siehe [1 Zusammen- und Aufklappen des Holms \(Seite 4\)](#).
2. Ziehen Sie alle Befestigungsteile an.
3. Entfernen Sie die Zündkerze und drehen den Motor schnell mit Hilfe des Starters, um überflüssiges Öl aus dem Zylinder zu entfernen.
4. Prüfen Sie die Zündkerze und wechseln sie aus, wenn sie schmutzig, abgenutzt oder gerissen ist, siehe Motorbedienungsanleitung.
5. Setzen Sie die Zündkerze ein und ziehen Sie sie mit einem Drehmomentschlüssel auf 20 N·m an.
6. Führen Sie die empfohlenen Wartungsarbeiten durch, siehe [Wartung \(Seite 20\)](#).
7. Prüfen Sie den Motorölstand; siehe [Betanken \(Seite 9\)](#).
8. Füllen Sie frischen Kraftstofftank in den Kraftstofftank, siehe [Betanken \(Seite 9\)](#).
9. **Nur Modelle mit Elektrostart:** Laden Sie die Batterie auf, siehe [5 Aufladen der Batterie \(Seite 6\)](#).
10. Schließen Sie den Zündkerzenstecker wieder an die Zündkerze an.

EEA/UK Datenschutzerklärung

Toros Verwendung Ihrer persönlichen Informationen

The Toro Company („Toro“) respektiert Ihre Privatsphäre. Wenn Sie unsere Produkte kaufen, können wir bestimmte persönliche Informationen über Sie sammeln, entweder direkt von Ihnen oder über Ihre lokale Toro-Niederlassung oder Ihren Händler. Toro verwendet diese Informationen, um vertragliche Verpflichtungen zu erfüllen – z. B. um Ihre Garantie zu registrieren, Ihren Garantieanspruch zu bearbeiten oder Sie im Falle eines Rückrufs zu kontaktieren – und für legitime Geschäftszwecke – z. B. um die Kundenzufriedenheit zu messen, unsere Produkte zu verbessern oder Ihnen Produktinformationen zur Verfügung zu stellen, die für Sie von Interesse sein könnten. Toro kann die Informationen im Rahmen dieser Aktivitäten an Toro Tochtergesellschaften, Händler oder Geschäftspartner weitergeben. Wir können auch persönliche Daten offenlegen, wenn dies gesetzlich vorgeschrieben ist oder im Zusammenhang mit dem Verkauf, Kauf oder der Fusion eines Unternehmens. Toro verkauft Ihre persönlichen Informationen niemals an anderen Unternehmen.

Speicherung Ihrer persönlichen Daten

Toro wird Ihre persönlichen Daten so lange aufbewahren, wie es für die oben genannten Zwecke relevant ist und in Übereinstimmung mit den gesetzlichen Bestimmungen. Für weitere Informationen über die geltenden Aufbewahrungsfristen wenden Sie sich bitte an legal@toro.com.

Toros Engagement für Sicherheit

Ihre persönlichen Daten können in den USA oder einem anderen Land verarbeitet werden, in dem möglicherweise weniger strenge Datenschutzgesetze gelten als in Ihrem Wohnsitzland. Wann immer wir Ihre Daten außerhalb Ihres Wohnsitzlandes übermitteln, werden wir die gesetzlich vorgeschriebenen Schritte unternehmen, um sicherzustellen, dass angemessene Sicherheitsvorkehrungen zum Schutz Ihrer Daten getroffen werden und um sicherzustellen, dass diese sicher behandelt werden.

Zugang und Korrektur

Sie haben das Recht, Ihre persönlichen Daten zu korrigieren und zu überprüfen oder der Verarbeitung Ihrer Daten zu widersprechen bzw. diese einzuschränken. Bitte kontaktieren Sie uns dazu per E-Mail unter legal@toro.com. Wenn Sie Bedenken haben, wie Toro mit Ihren Daten umgegangen ist, bitten wir Sie, dies direkt mit uns zu besprechen. Bitte beachten Sie, dass europäische Bürger das Recht haben, sich bei Ihrer Datenschutzbehörde zu beschweren.



Count on it.



Tondeuse TimeMaster® de 76 cm

N° de modèle 21810—N° de série 406474884 et suivants

N° de modèle 21811—N° de série 405541084 et suivants

Manuel de l'utilisateur

Introduction

Cette tondeuse autotractée à lame rotative est destinée au grand public. Elle est principalement conçue pour tondre les pelouses entretenues régulièrement dans les terrains privés. L'utilisation de ce produit à d'autres fins que celle prévue peut être dangereuse pour vous-même et toute personne à proximité.

Lisez attentivement cette notice pour apprendre comment utiliser et entretenir correctement votre produit, et éviter ainsi de l'endommager ou de vous blesser. Vous êtes responsable de l'utilisation sûre et correcte du produit.

Pour plus d'informations, y compris des conseils de sécurité, des documents de formation, des renseignements concernant un accessoire, pour obtenir l'adresse d'un concessionnaire ou pour enregistrer votre produit, rendez-vous sur www.Toro.com.

Pour obtenir des prestations de service, des pièces Toro d'origine ou des renseignements complémentaires, munissez-vous des numéros de modèle et de série du produit et contactez un concessionnaire-réparateur agréé ou le service client Toro. La [Figure 1](#) indique l'emplacement des numéros de modèle et de série du produit. Inscrivez les numéros dans l'espace réservé à cet effet.

Important: Avec votre appareil mobile, vous pouvez scanner le code QR sur l'autocollant du numéro de série (le cas échéant) afin d'accéder aux informations sur la garantie, les pièces détachées et autres renseignements sur le produit.

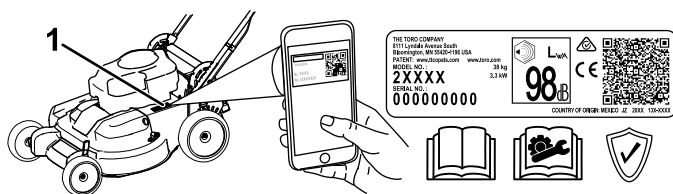


Figure 1

g308051

1. Emplacement des numéros de modèle et de série

N° de modèle _____

N° de série _____

Les mises en garde de ce manuel soulignent des dangers potentiels et sont signalées par le symbole de sécurité ([Figure 2](#)), qui indique un danger pouvant entraîner des blessures graves ou mortelles si les précautions recommandées ne sont pas respectées.



Figure 2

Symbole de sécurité

g000502

Ce manuel utilise deux termes pour faire passer des renseignements essentiels. **Important**, pour attirer l'attention sur des renseignements mécaniques spécifiques et **Remarque**, pour insister sur des renseignements d'ordre général méritant une attention particulière.

Ce produit est conforme à toutes les directives européennes pertinentes. Pour plus de renseignements, reportez-vous à la Déclaration de conformité spécifique du produit fournie séparément.

Couple brut ou net : le couple brut ou net de ce moteur a été calculé en laboratoire par le constructeur du moteur selon la norme SAE J1940 ou J2723 de la Society of Automotive Engineers (SAE). Étant configuré pour satisfaire aux normes de sécurité, antipollution et d'exploitation, le moteur monté sur cette classe de tondeuse aura un couple effectif nettement inférieur. Reportez-vous aux informations du constructeur du moteur qui accompagnent la machine.

Ne modifiez pas ou ne désactivez pas les systèmes de sécurité de machine, et vérifiez régulièrement qu'ils fonctionnent correctement. N'essayez pas de régler ou de modifier la commande de régime moteur, au risque de compromettre le fonctionnement sûr de la machine et de causer des blessures.



Table des matières

Introduction	1
Sécurité	2
Consignes de sécurité générales.....	2
Autocollants de sécurité et d'instruction	3
Mise en service	4
1 Assemblage et dépliage du guidon.....	4
2 Montage de la barre de commande des lames	4
3 Ajout d'huile dans le moteur	5
4 Montage du bac à herbe	6
5 Charge de la batterie.....	6
Vue d'ensemble du produit	7
Caractéristiques techniques	8
Outils et accessoires.....	8
Utilisation	8
Avant l'utilisation	8
Contrôles de sécurité avant l'utilisation	8
Remplissage du réservoir de carburant.....	9
Contrôle du niveau d'huile moteur.....	10
Réglage de la hauteur du guidon.....	10
Réglage de la hauteur de coupe	11
Pendant l'utilisation	11
Consignes de sécurité pendant l'utilisation	11
Démarrage du moteur.....	12
Utilisation de la commande d'autopropulsion	14
Arrêt du moteur.....	15
Engagement des lames	15
Désengagement des lames	15
Contrôle du fonctionnement du système d'arrêt des lames.....	16
Recyclage de l'herbe coupée.....	16
Ramassage de l'herbe coupée	17
Éjection latérale de l'herbe coupée	17
Conseils d'utilisation	18
Après l'utilisation	18
Consignes de sécurité après l'utilisation.....	18
Nettoyage du dessous de la machine.....	19
Entretien	20
Programme d'entretien recommandé	20
Consignes de sécurité pendant l'entretien	20
Préparation à l'entretien.....	21
Entretien du filtre à air	21
Vidange de l'huile moteur.....	22
Charge de la batterie	23
Remplacement du fusible	23
Remplacement de la batterie	23
Réglage de l'autopropulsion	24
Entretien du système d'entraînement des lames	25
Entretien des lames.....	25
Détection des lames faussées	26
Dépose des lames	27
Pose des lames	27

Remisage	29
Consignes de sécurité pour le remisage.....	29
Informations générales	29
Préparation du système d'alimentation	29
Préparation du moteur	29
Remise en service après remisage	30

Sécurité

Cette machine est conçue en conformité avec la norme EN ISO 5395.

Consignes de sécurité générales

Ce produit peut sectionner les mains ou les pieds et projeter des objets. Respectez toujours toutes les consignes de sécurité pour éviter des blessures graves.

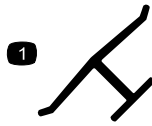
- Avant de démarrer le moteur, vous devez lire, comprendre et respecter toutes les instructions et mises en garde données dans ce *Manuel de l'utilisateur* ainsi que sur la machine et les accessoires.
- Ne placez pas les mains ou les pieds près des pièces mobiles ou sous la machine. Ne vous tenez pas devant l'ouverture d'éjection.
- N'utilisez pas la machine s'il manque des capots ou d'autres dispositifs de protection, ou s'ils sont défectueux.
- N'admettez personne, notamment les enfants, dans le périmètre de travail. N'autorisez jamais un enfant à utiliser la machine. Seules les personnes responsables, formées à l'utilisation de la machine, ayant lu et compris les instructions et physiquement aptes sont autorisées à utiliser la machine.
- Arrêtez la machine, coupez le moteur, enlevez la clé de contact (selon l'équipement) et attendez l'arrêt complet de toutes les pièces mobiles avant de faire l'entretien, de faire le plein de carburant ou de déboucher la machine.

L'usage ou l'entretien incorrect de cette machine peut occasionner des accidents. Pour réduire les risques d'accidents et de blessures, respectez les consignes de sécurité qui suivent. Tenez toujours compte des mises en garde signalées par le symbole de sécurité (▲) et la mention Prudence, Attention ou Danger. Le non respect de ces instructions peut entraîner des blessures graves ou mortelles.

Autocollants de sécurité et d'instruction



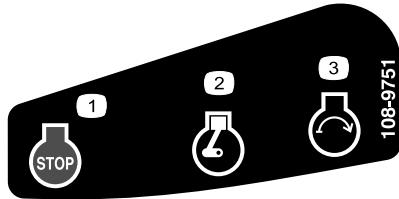
Des autocollants de sécurité et des instructions bien visibles par l'opérateur sont placés près de tous les endroits potentiellement dangereux. Remplacez tout autocollant endommagé ou manquant.



decaloemmark

Marque du fabricant

1. Cette marque identifie la lame comme pièce d'origine.

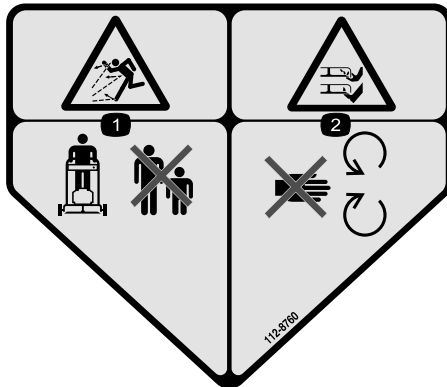


decal108-9751

108-9751

Modèles à démarrage électrique seulement

1. Arrêt (coupure) du moteur
2. Moteur en marche
3. Démarrage du moteur



decal112-8760

112-8760

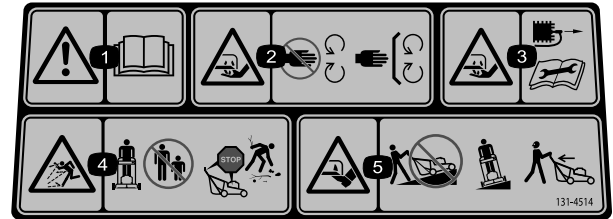
1. Risque de projection d'objets – n'autorisez personne à s'approcher.
2. Risque de coupure/mutilation des mains ou des pieds par la lame de la tondeuse – ne vous approchez pas des pièces mobiles.



decal120-9570

120-9570

1. Attention – ne vous approchez pas des pièces mobiles ; laissez toutes les protections et tous les capots en place.



decal131-4514

131-4514

1. Attention – lisez le *Manuel de l'utilisateur*.
2. Risque de coupure/mutilation des mains par la lame de la tondeuse – ne vous approchez pas des pièces mobiles et gardez toutes les protections.
3. Risque de coupure/mutilation des mains par la lame de la tondeuse – débranchez le fil de la bougie avant d'effectuer tout entretien.
4. Risque de projection d'objets – n'autorisez personne à s'approcher ; coupez le moteur avant de quitter la position d'utilisation ; ramassez les débris avant de tondre.
5. Risque de coupure/mutilation des pieds par la lame de la tondeuse – ne travaillez pas dans le sens de la pente, mais transversalement ; regardez derrière vous avant de faire marche arrière.

Modèles à démarrage électrique uniquement



decal140-4357

140-4357

1. Attention – lisez le *Manuel de l'utilisateur* pour toute information sur la batterie ; ne mettez pas la batterie au plomb au rebut.
2. Attention – lisez le *Manuel de l'utilisateur* pour tout renseignement sur la charge de la batterie.

Mise en service

Important: Retirez et mettez au rebut la pellicule de plastique qui protège le moteur ainsi que tout autre emballage ou élément en plastique utilisé sur la machine.

Important: Pour éviter tout démarrage accidentel du moteur, n'introduisez la clé dans le commutateur de démarrage électrique (selon l'équipement) qu'au dernier moment.

1

Assemblage et dépliage du guidon

Aucune pièce requise

Procédure

⚠ ATTENTION

Vous risquez d'endommager les câbles et de rendre la machine dangereuse si vous assemblez ou dépliez mal le guidon.

- Veillez à ne pas endommager les câbles en dépliant le guidon.
- Si un câble est endommagé, contactez un concessionnaire-réparateur agréé.

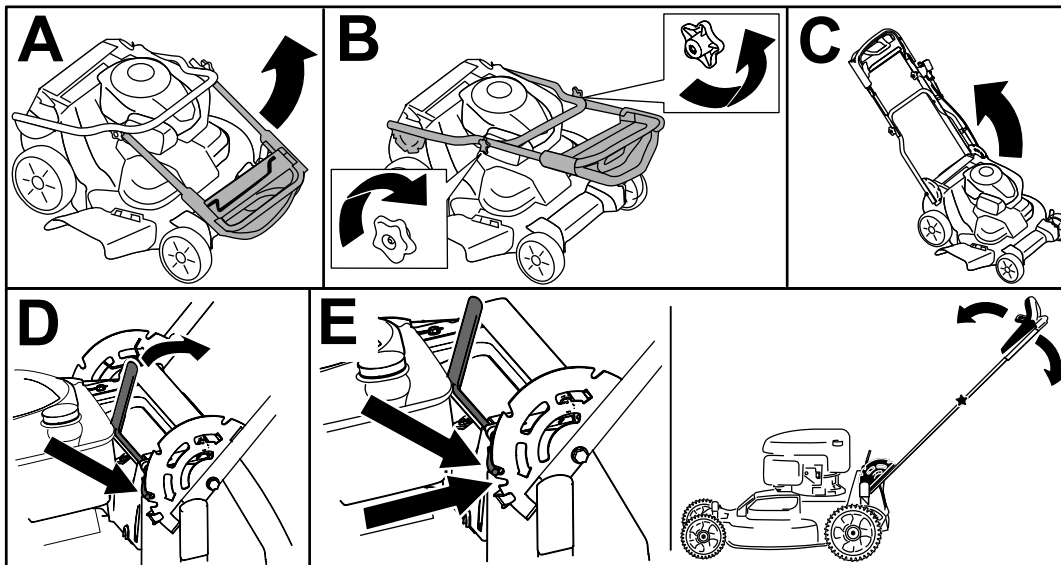


Figure 3

g224528

2

Montage de la barre de commande des lames

Aucune pièce requise

Procédure

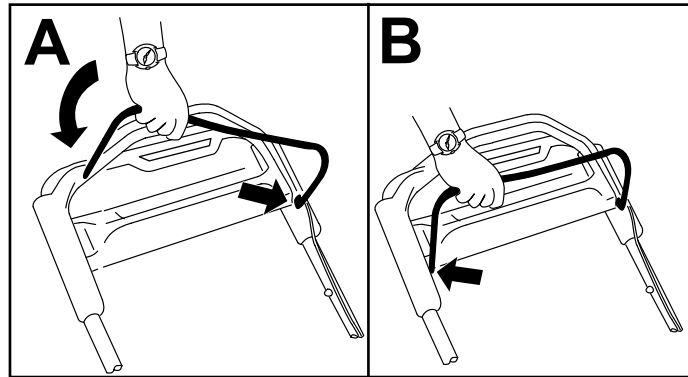


Figure 4

g225133

3

Ajout d'huile dans le moteur

Aucune pièce requise

Procédure

Important: Si vous faites tourner le moteur alors que le niveau d'huile dans le carter est trop bas ou trop élevé, vous risquez d'endommager le moteur.

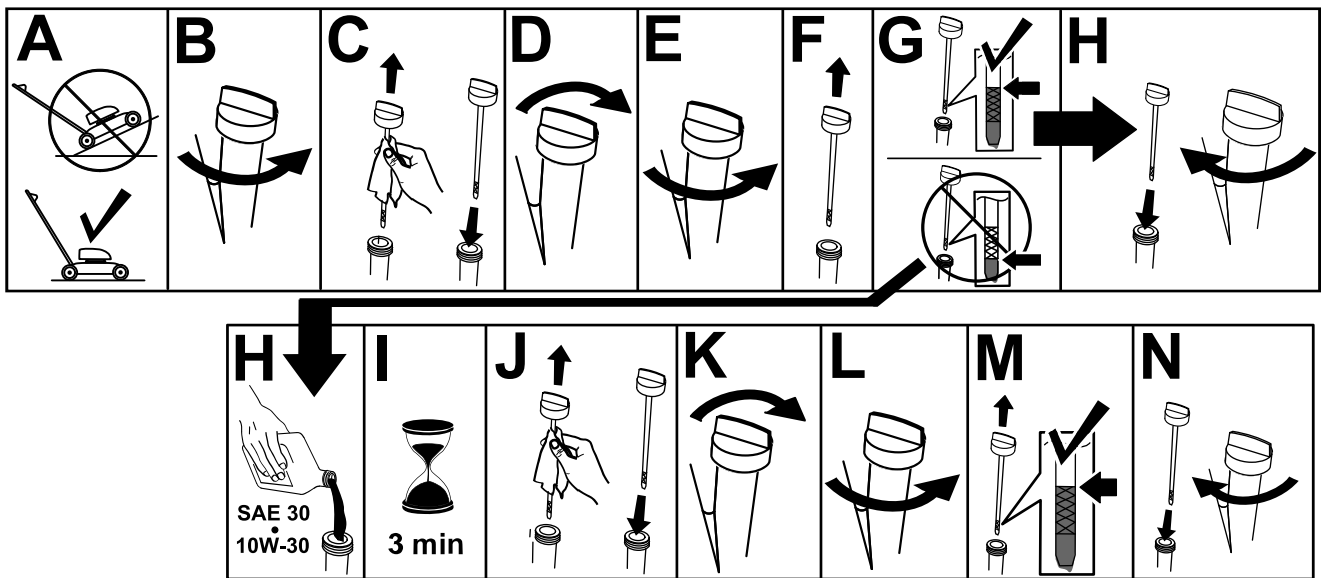


Figure 5

g222533

4

Montage du bac à herbe

Aucune pièce requise

Procédure

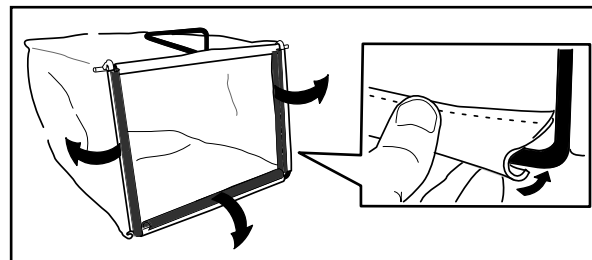


Figure 6

g230447

5

Charge de la batterie

Aucune pièce requise

Procédure

Modèle à démarrage électrique seulement

Voir [Charge de la batterie \(page 23\)](#).

Vue d'ensemble du produit

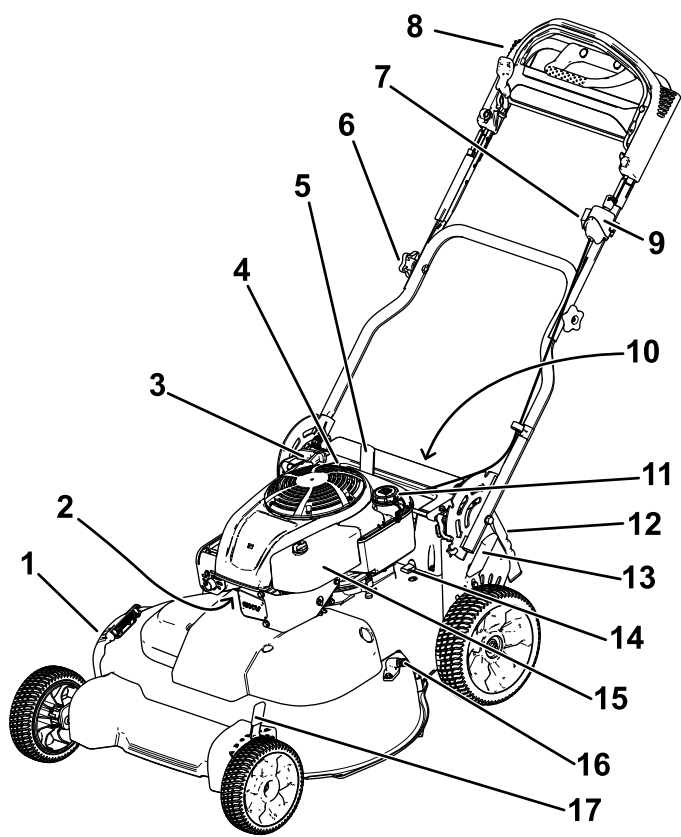
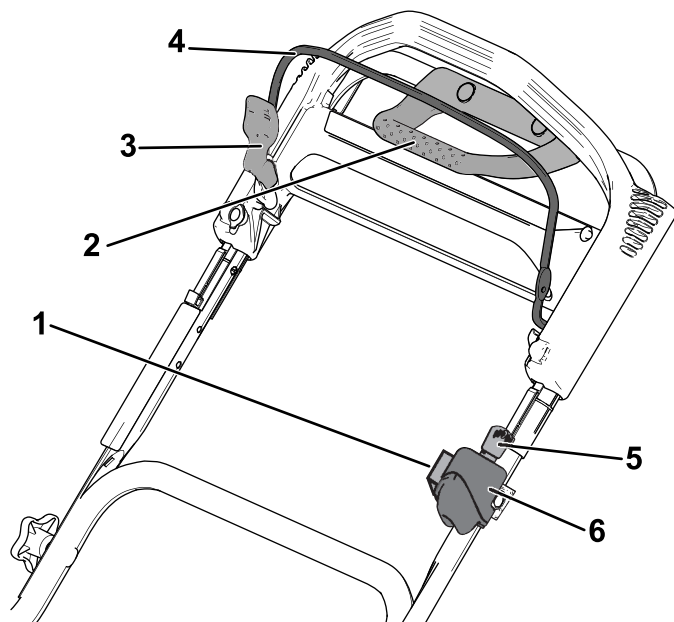


Figure 7

g289302

- | | |
|----------------------------------------------------------------------------------------------------------------------------|--------------------------------------------------------------------------|
| 1. Déflecteur d'éjection latérale | 10. Batterie (modèle à démarrage électrique uniquement, non représentée) |
| 2. Bougie | 11. Bouchon du réservoir de carburant |
| 3. Poignée du lanceur | 12. Déflecteur arrière |
| 4. Bouchon de remplissage-jauge | 13. Levier de hauteur de coupe arrière |
| 5. Levier de blocage du guidon | 14. Fusible |
| 6. Bouton du guidon (2) | 15. Filtre à air |
| 7. Bouton de réglage de l'autopropulsion | 16. Raccord de lavage |
| 8. Partie supérieure du guidon | 17. Levier de hauteur de coupe avant |
| 9. Commutateur d'allumage (modèle à démarrage électrique uniquement) ou commutateur à bascule (modèle standard uniquement) | |

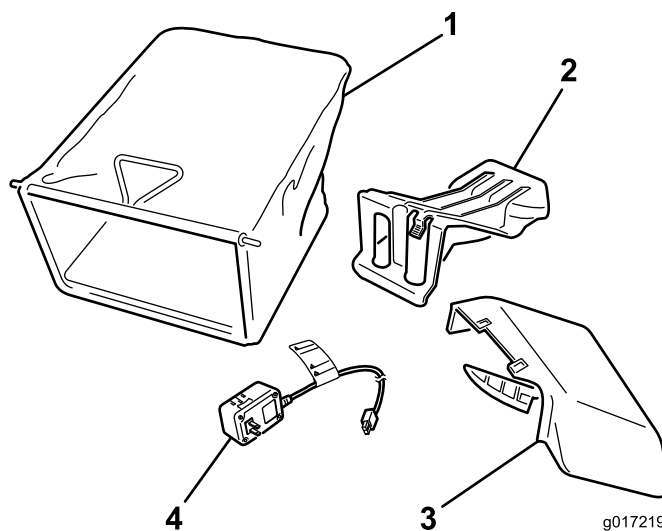


g289303

Figure 8

Partie supérieure du guidon

- | | |
|-----------------------------------------------------------------|----------------------------------------------------------------------------------------------------------------------------|
| 1. Bouton de réglage de l'autopropulsion | 4. Barre de commande des lames |
| 2. Poignée d'aide au déplacement | 5. Clé de contact (modèle à démarrage électrique uniquement) |
| 3. Dispositif de verrouillage de la barre de commande des lames | 6. Commutateur d'allumage (modèle à démarrage électrique uniquement) ou commutateur à bascule (modèle standard uniquement) |



g017219

g017219

Figure 9

- | | |
|---------------------------------------------|--------------------------------------------------------------------|
| 1. Bac à herbe | 3. Goulotte d'éjection latérale |
| 2. Obturateur d'éjection arrière (en place) | 4. Chargeur de batterie (modèle à démarrage électrique uniquement) |

Caractéristiques techniques

Mo-dèle	Poids	Longueur	Largeur	Hauteur
21810	64 kg	165 cm	81 cm	114 cm
21811	66 kg			

Outils et accessoires

Une sélection d'outils et d'accessoires agréés par Toro est disponible pour augmenter et améliorer les capacités de la machine. Pour obtenir la liste de tous les accessoires et outils agréés, contactez votre concessionnaire-réparateur ou votre distributeur Toro agréé, ou rendez-vous sur www.Toro.com.

Pour garantir un rendement optimal et la sécurité continue de la machine, utilisez uniquement des pièces de rechange et accessoires Toro d'origine. Les pièces de rechange et accessoires provenant d'autres constructeurs peuvent être dangereux, et leur utilisation risque d'annuler la garantie de la machine.

Utilisation

Remarque: Les côtés gauche et droit de la machine sont déterminés d'après la position d'utilisation normale.

Avant l'utilisation

Contrôles de sécurité avant l'utilisation

Consignes de sécurité générales

- Coupez toujours le moteur, enlevez la clé de contact (selon l'équipement), attendez l'arrêt complet de toutes les pièces mobiles et laissez refroidir la machine avant de la régler, d'en faire l'entretien, de la nettoyer ou de la remiser.
- Familiarisez-vous avec le maniement correct du matériel, les commandes et les symboles de sécurité.
- Vérifiez toujours que les capots et les dispositifs de sécurité, comme les déflecteurs et/ou les bacs à herbe, sont en place et en bon état.
- Vérifiez toujours que les lames et boulons de lames ne sont pas usés ni endommagés.

- Inspectez la zone de travail et débarrassez-la de tout objet pouvant gêner le fonctionnement de la machine ou être projeté pendant son utilisation.
- Le contact avec la lame en rotation peut causer des blessures graves. Ne mettez pas les doigts sous le carter de la tondeuse quand vous réglez la hauteur de coupe.

Consignes de sécurité concernant le carburant

- Le carburant est extrêmement inflammable et hautement explosif. Un incendie ou une explosion par du carburant peut vous brûler, ainsi que les personnes se tenant à proximité, et causer des dommages matériels.
 - Pour éviter que l'électricité statique n'enflamme le carburant, posez le récipient et/ou la machine directement sur le sol avant de faire le plein ; ne la laissez pas dans un véhicule ou sur un support quelconque.
 - Faites le plein du réservoir de carburant à l'extérieur, dans un endroit bien dégagé, lorsque le moteur est froid. Essayez tout carburant répandu.
 - Ne fumez jamais quand vous manipulez du carburant et tenez-vous à l'écart des flammes nues ou des sources d'étincelles.
 - N'enlevez pas le bouchon du réservoir de carburant et n'ajoutez pas de carburant quand le moteur tourne ou est encore chaud.
 - Si vous renversez du carburant, ne mettez pas le moteur en marche à cet endroit. Évitez de créer des sources d'inflammation jusqu'à dissipation complète des vapeurs de carburant.
 - Conservez le carburant dans un récipient homologué et hors de la portée des enfants.
- Le carburant est toxique et même mortel en cas d'ingestion. L'exposition prolongée aux vapeurs de carburant peut causer des blessures et des maladies graves.
 - Évitez de respirer les vapeurs de carburant de façon prolongée.
 - N'approchez pas les mains ni le visage du pistolet ou de l'ouverture du réservoir de carburant.
 - N'approchez pas le carburant des yeux et de la peau.

Remplissage du réservoir de carburant

- Pour assurer le fonctionnement optimal de la machine, utilisez uniquement de l'essence sans plomb propre et fraîche avec un indice d'octane de 87 ou plus (méthode de calcul $[R+M]/2$).
- L'utilisation de carburant oxygéné contenant jusqu'à 10 % d'éthanol ou 15 % de MTBE par volume est tolérée.
- N'utilisez **pas** de mélanges d'essence à l'éthanol (E15 ou E85 par exemple) avec plus de 10 % d'éthanol par volume. Cela peut entraîner des problèmes de performances et/ou des dommages au moteur qui peuvent ne pas être couverts par la garantie.
- N'utilisez **pas** d'essence contenant du méthanol.
- Ne stockez **pas** le carburant dans le réservoir ou dans des bidons de carburant pendant l'hiver, à moins d'y ajouter un stabilisateur de carburant.
- N'ajoutez **pas** d'huile à l'essence.

Faites le plein avec de l'essence sans plomb ordinaire fraîche d'une marque réputée.

Important: Pour réduire les problèmes de démarrage, ajoutez au carburant frais la quantité de stabilisateur/conditionneur indiquée par le fabricant du stabilisateur.

1. Nettoyez la surface autour du bouchon du réservoir de carburant et enlevez le bouchon.

Important: Cette machine est équipée d'un réservoir de supercarburant comprenant un insert en mousse pour éviter l'agitation du carburant. Ne retirez jamais l'élément en mousse car il permet au moteur d'utiliser l'intégralité du carburant dans le réservoir (A de [Figure 10](#)).

Remarque: Ne remplissez pas le réservoir de carburant au-dessus du bas du goulot du réservoir (B de [Figure 10](#)).

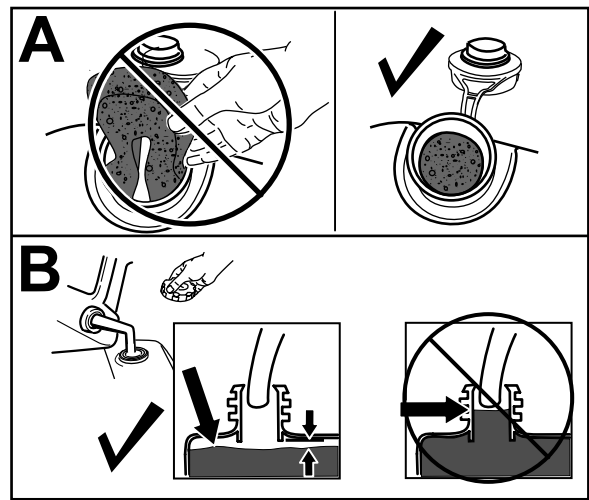


Figure 10

g234916

2. Revissez solidement le bouchon du réservoir de carburant à la main.

Contrôle du niveau d'huile moteur

Périodicité des entretiens: À chaque utilisation ou une fois par jour

Important: Si vous faites tourner le moteur alors que le niveau d'huile dans le carter est trop bas ou trop élevé, vous risquez d'endommager le moteur.

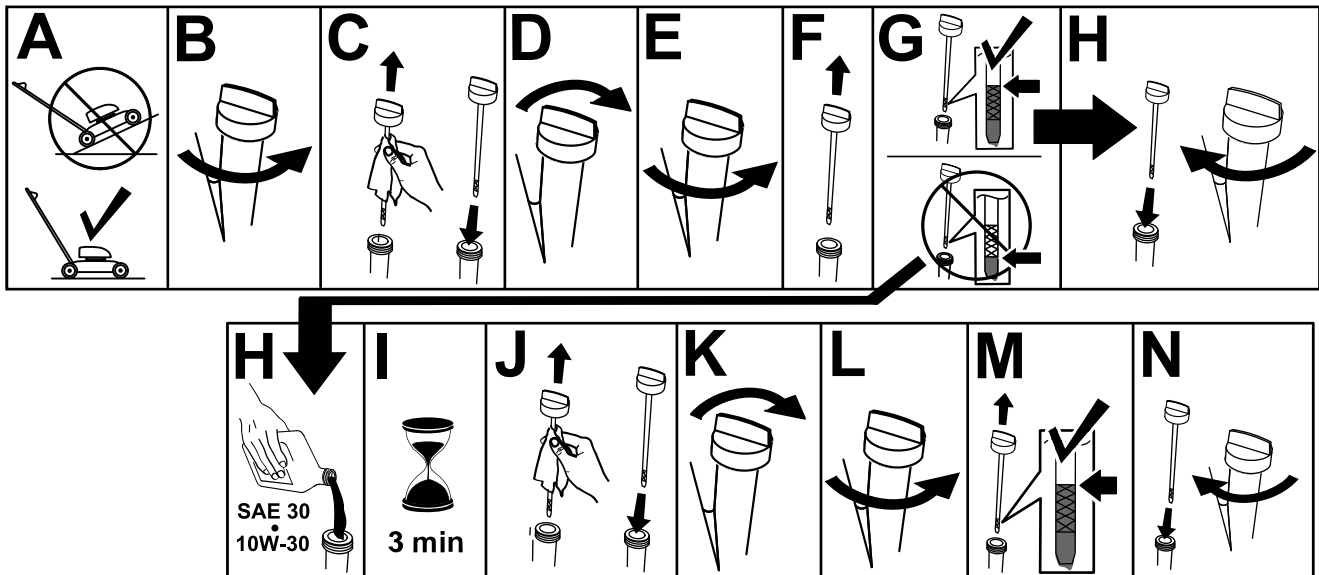


Figure 11

g222533

Réglage de la hauteur du guidon

Vous pouvez élever ou abaisser le guidon à la position qui vous convient le mieux.

Tirez le levier de blocage du guidon vers l'arrière pour désengager les goupilles de blocage du guidon, déplacez le guidon à l'une de quatre positions et relâchez le levier de blocage du guidon pour bloquer le guidon en place (Figure 12).

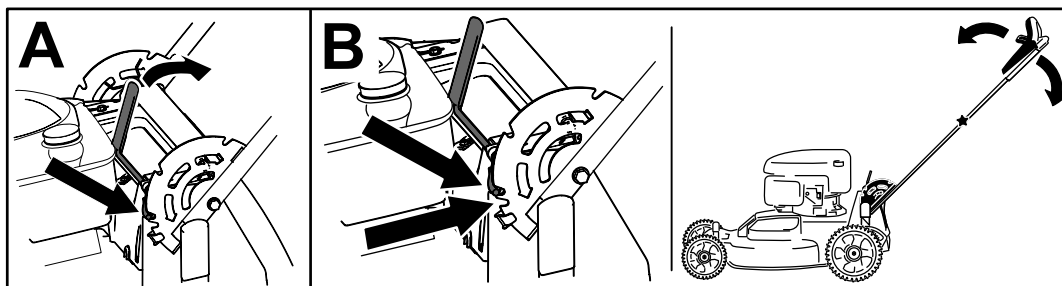


Figure 12

g273086

Réglage de la hauteur de coupe

⚠ PRUDENCE

Si le moteur vient de tourner, le silencieux est très chaud et risque de vous brûler.

Ne vous approchez pas du silencieux encore chaud.

Remarque: Pour élever la machine, déplacez les leviers de hauteur de coupe avant et arrière en avant ; pour abaisser la machine, ramenez les leviers en arrière. Sauf circonstances spéciales, réglez toutes les roues à la même hauteur ; voir [Conseils d'utilisation](#) (page 18).

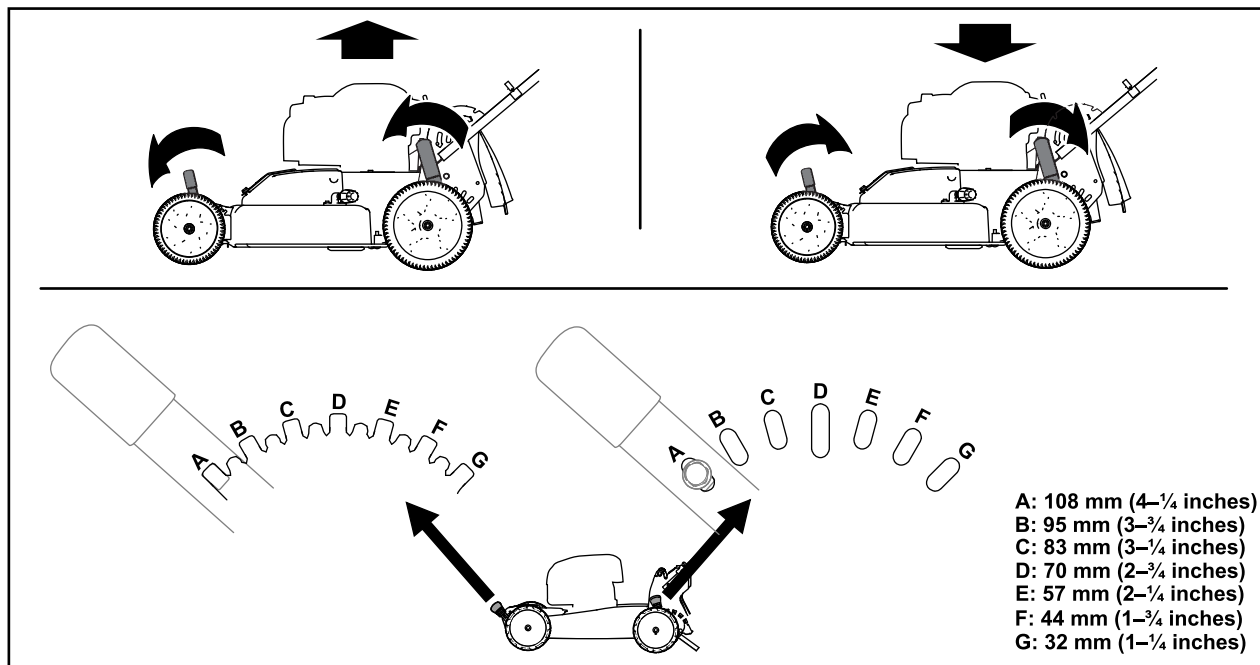


Figure 13

g224172

Pendant l'utilisation

Consignes de sécurité pendant l'utilisation

Consignes de sécurité générales

- Portez des vêtements appropriés, y compris une protection oculaire, un pantalon, des chaussures solides à semelle antidérapante et des protecteurs d'oreilles. Si vos cheveux sont longs, attachez-les et ne portez pas de vêtements amples ni de bijoux pendants.
- Accordez toute votre attention à l'utilisation de la machine. Ne faites rien d'autre qui puisse vous distraire, au risque de causer des dommages corporels ou matériels.
- N'utilisez pas la machine si vous êtes fatigué, malade ou sous l'emprise de l'alcool, de drogues ou de médicaments.
- La lame est tranchante et vous pouvez vous blesser gravement à son contact. Avant de quitter la position d'utilisation, retirez la clé de contact (modèle à démarrage électrique seulement) et attendez l'arrêt complet de toutes les pièces mobiles.
- Lorsque vous relâchez la barre de commande de la lame, le moteur et la lame doivent s'arrêter en moins de 3 secondes. Si ce n'est pas le cas, cessez immédiatement d'utiliser la machine et adressez-vous à un concessionnaire-réparateur agréé.
- N'admettez jamais personne dans le périmètre de travail. Veillez à ce que les enfants restent hors de la zone de travail, sous la garde d'un adulte responsable autre que l'utilisateur de la machine. Arrêtez la machine si quelqu'un entre dans la zone de travail.
- Vérifiez toujours que la voie est libre juste derrière la machine et sur sa trajectoire avant de faire marche arrière.

- N'utilisez la machine que si la visibilité est suffisante et les conditions météorologiques favorables. N'utilisez pas la machine si la foudre menace.
- En travaillant sur l'herbe ou les feuilles humides, vous risquez de glisser et de vous blesser gravement si vous touchez la lame en tombant. Évitez de tondre quand l'herbe est humide.
- Soyez particulièrement prudent à l'approche de tournants sans visibilité, de buissons, d'arbres ou d'autres objets susceptibles de masquer la vue.
- Ne dirigez pas l'éjection vers qui que ce soit. N'éjectez pas l'herbe coupée contre un mur ou un obstacle, car elle pourrait ricocher dans votre direction. Arrêtez la ou les lames quand vous passez sur du gravier.
- Méfiez-vous des trous, ornières, bosses, rochers ou autres obstacles cachés. Vous pouvez glisser ou perdre l'équilibre si le terrain est irrégulier.
- Si la machine a heurté un obstacle ou commence à vibrer, coupez immédiatement le moteur, retirez la clé de contact (selon l'équipement), attendez l'arrêt complet de toutes les pièces mobiles et débranchez le fil de la bougie avant de vérifier si la machine n'est pas endommagée. Effectuez toutes les réparations nécessaires avant de réutiliser la machine.
- Avant de quitter la position d'utilisation, coupez le moteur, retirez la clé de contact (modèle à démarrage électrique seulement) et attendez l'arrêt de toutes les pièces mobiles.
- Le moteur est très chaud s'il vient de tourner et peut alors vous brûler gravement. Ne vous approchez pas du moteur s'il est encore chaud.
- Ne faites tourner le moteur que dans des lieux bien aérés. Les gaz d'échappement contiennent du monoxyde de carbone dont l'inhalation est mortelle.
- Vérifiez fréquemment l'état des composants du bac à herbe et de la goulotte d'éjection, et remplacez-les par des pièces Toro d'origine au besoin.

Consignes de sécurité pour l'utilisation sur des pentes

- Travaillez transversalement à la pente, jamais en montant ou descendant. Soyez extrêmement prudent lorsque vous changez de direction sur un terrain en pente.
- Ne tondez pas de pentes trop raides. Vous pourriez glisser et vous blesser en tombant.
- Faites preuve de prudence quand vous tondez à proximité de dénivellations, fossés ou berges.

Démarrage du moteur

Modèle standard

Tirez lentement la poignée du lanceur jusqu'à ce que vous sentiez une résistance, puis tirez vigoureusement. Laissez le lanceur se rétracter lentement jusqu'au moteur.

Remarque: Si le moteur ne démarre pas après plusieurs tentatives, contactez un concessionnaire-réparateur agréé.

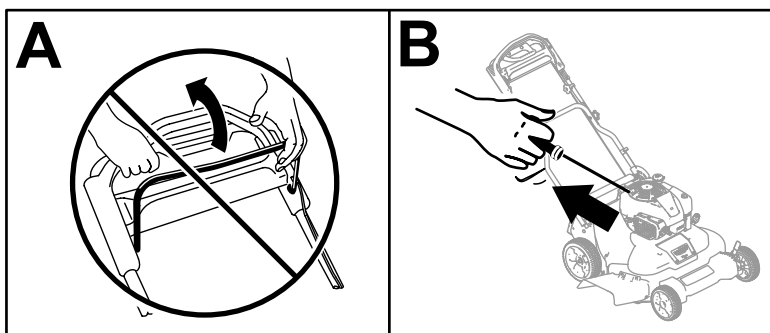


Figure 14

g234917

Modèle à démarrage électrique

Sur un modèle à démarrage électrique, vous pouvez mettre le moteur en marche soit avec la clé de contact, soit avec le lanceur.

- **Clé de contact :**

1. Chargez la batterie pendant 24 heures avant d'utiliser la machine pour la première fois (A de [Figure 15](#)).

Important: N'essayez pas de démarrer le moteur alors que la barre de commande des lames est engagée, au risque de faire griller le fusible (B de [Figure 15](#)).

2. Introduisez la clé dans le commutateur d'allumage (C de [Figure 15](#)).
3. Tournez et maintenez la clé de contact en position démarrage et relâchez-la lorsque le moteur démarre (D de [Figure 15](#)).

Remarque: Ne maintenez pas la clé de contact en position de démarrage pendant plus de 5 secondes, afin de ne pas endommager le démarreur.

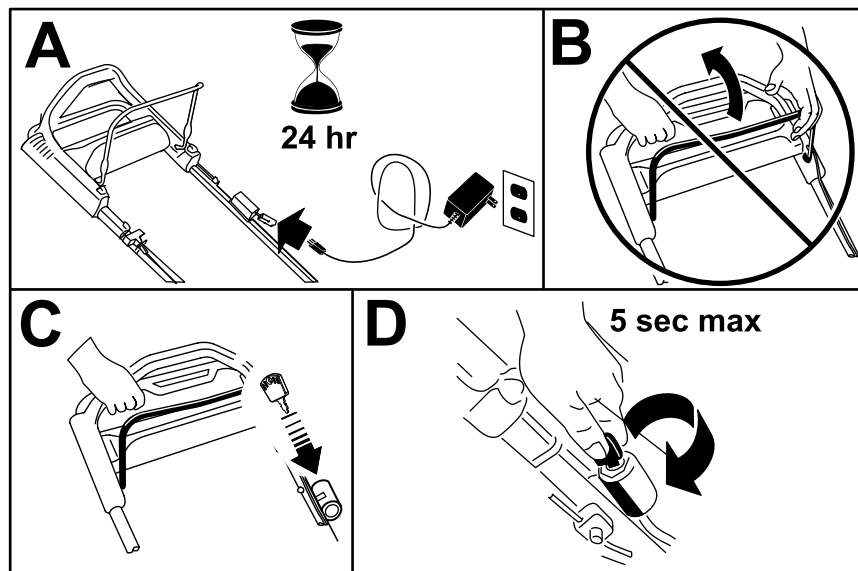


Figure 15

g234919

- **Poignée du lanceur :**

1. Tournez la clé de contact à la position CONTACT (A de [Figure 16](#)).

Important: N'essayez pas de démarrer le moteur alors que la barre de commande des lames est engagée, au risque de faire griller le fusible (B de [Figure 16](#)).

2. Tirez lentement la poignée du lanceur vers l'arrière jusqu'à ce que vous sentiez une résistance, puis tirez vigoureusement (C de [Figure 16](#)). Laissez le lanceur se rétracter lentement jusqu'au moteur.

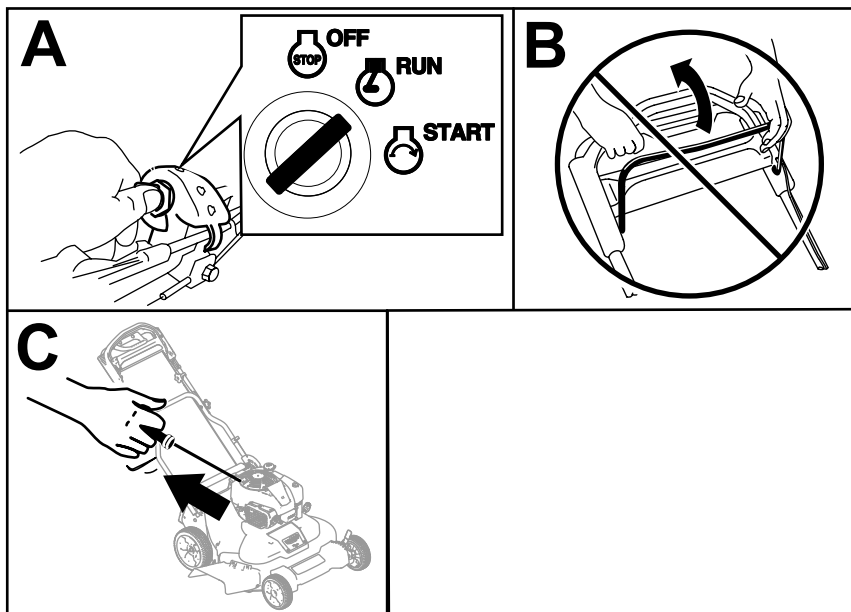


Figure 16

g234918

Utilisation de la commande d'autopropulsion

Pour actionner l'autopropulsion, il vous suffit d'avancer, les mains sur la partie supérieure du guidon et les coudes serrés ; la machine avance automatiquement à votre rythme ([Figure 17](#)).

Remarque: La machine peut se propulser automatiquement avec les lames embrayées ou débrayées.

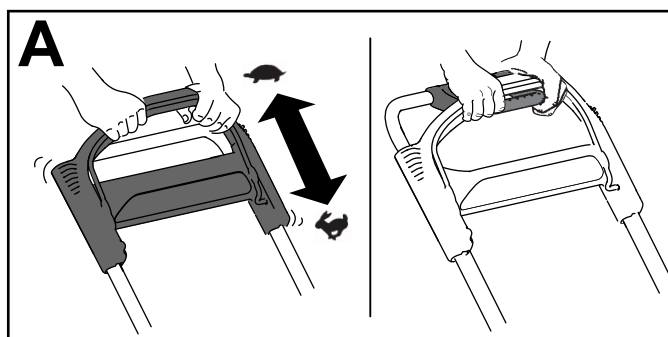


Figure 17

g244853

Remarque: Pour les situations exigeant plus de contrôle qu'avec la simple autopropulsion, utilisez la poignée d'aide au déplacement.

Arrêt du moteur

Modèle standard

Poussez l'interrupteur à bascule (Figure 18) à la position ARRÊT et maintenez-le dans cette position jusqu'à l'arrêt du moteur.

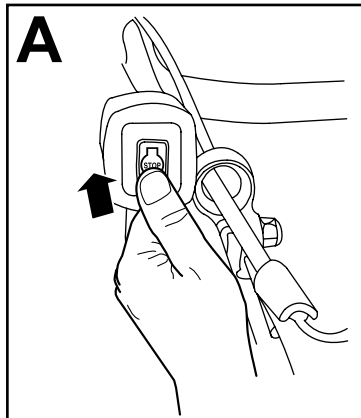


Figure 18

g234921

Modèle à démarrage électrique

1. Tournez la clé de contact à la position ARRÊT (A de Figure 19).
2. Une fois le moteur arrêté, retirez la clé de contact et emportez-la avec vous quand vous quittez la machine (B de Figure 19).

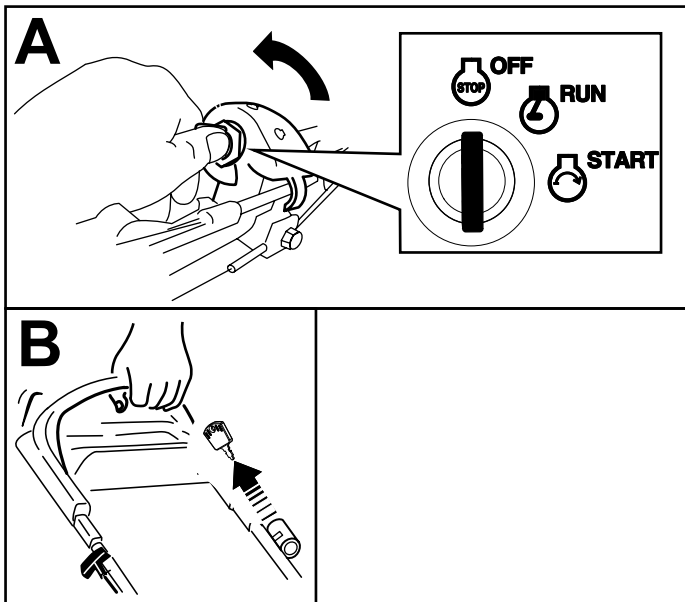


Figure 19

g234920

Engagement des lames

Les lames ne tournent pas automatiquement quand le moteur démarre. Il faut engager les lames pour tondre.

1. Tirez le dispositif de verrouillage de la barre de commande des lames vers la barre de commande (Figure 20).

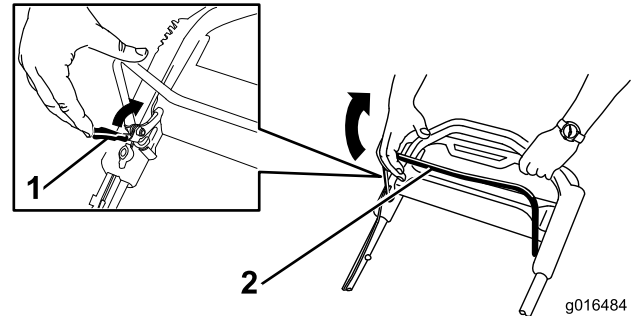


Figure 20

g016484

g016484

1. Dispositif de verrouillage de la barre de commande des lames
2. Barre de commande des lames

2. Serrez **lentement** la barre de commande des lames contre le guidon (Figure 20).
3. Maintenez la barre de commande des lames contre le guidon (Figure 21).

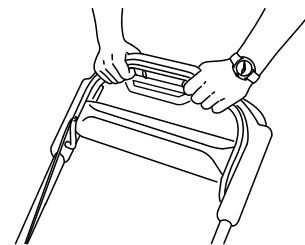


Figure 21

g193334

Désengagement des lames

Relâchez la barre de commande des lames (Figure 22).

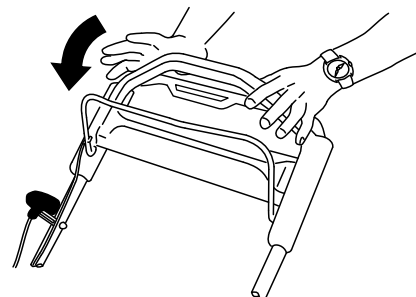


Figure 22

g193345

Important: Lorsque vous relâchez la barre de commande, les lames doivent s'arrêter en moins de 3 secondes. Si ce n'est pas le cas, cessez immédiatement d'utiliser la machine et adressez-vous à un concessionnaire-réparateur agréé.

Contrôle du fonctionnement du système d'arrêt des lames

Périodicité des entretiens: À chaque utilisation ou une fois par jour

Vérifiez que les lames s'arrêtent en moins de 3 secondes après le relâchement de la barre de commande.

Utilisation du bac à herbe

Vous pouvez vous servir du bac à herbe pour contrôler le système d'arrêt des lames.

1. Retirez l'obturateur d'éjection arrière.
2. Placez le bac vide sur la machine.
3. Démarrez le moteur.
4. Engagez les lames.

Remarque: Le bac doit commencer à se gonfler, ce qui indique que les lames tournent.

5. Tout en observant le bac, relâchez la barre de commande des lames.

Remarque: Si le bac ne se dégonfle pas dans les 3 secondes suivant le relâchement de la barre de commande, il se peut que le système d'arrêt des lames commence à se détériorer, ce qui risque de compromettre le fonctionnement sûr de la machine si vous n'en tenez pas compte. Demandez à un concessionnaire-réparateur agréé de contrôler et de réviser la machine.

6. Coupez le moteur et attendez l'arrêt complet de toutes les pièces mobiles.

Utilisation sans le bac à herbe

1. Amenez la machine sur une surface revêtue à l'abri du vent.
2. Réglez les 4 roues à la hauteur de coupe de 89 mm.
3. Roulez en boule une demi-feuille de papier journal (environ 76 mm de diamètre) et placez-la sous le carter de la machine.
4. Placez la boule de papier journal à 13 cm devant la machine.

5. Démarrez le moteur.
6. Engagez les lames.
7. Relâchez la barre de commande des lames et commencez à compter 3 secondes.
8. À 3, poussez rapidement la machine en avant, sur la boule de papier journal.
9. Coupez le moteur et attendez l'arrêt complet de toutes les pièces mobiles.
10. Passez devant la machine et examinez la boule de papier journal.

Remarque: Si elle n'est pas passée sous la machine, répétez les opérations 4 à 10.

11. Si la boule est déroulée ou déchiquetée, cela signifie que les lames ne se sont pas arrêtées correctement et que la machine n'est pas sûre. Contactez un concessionnaire-réparateur agréé.

Recyclage de l'herbe coupée

À la livraison, cette machine est prête à recycler l'herbe et les feuilles coupées pour nourrir votre pelouse. Pour préparer la machine au recyclage, procédez comme suit :

- Si la goulotte d'éjection latérale est en place, déposez-la et abaissez le volet d'éjection latérale ; voir [Dépose de la goulotte d'éjection latérale \(page 18\)](#).
- Si le bac à herbe est monté sur la machine, enlevez-le ; voir [Retrait du bac à herbe \(page 17\)](#).
- Si l'obturateur d'éjection arrière n'est pas installé, saisissez-le par la poignée, relevez le volet arrière et insérez-le dans la goulotte d'éjection arrière jusqu'à ce que le dispositif de verrouillage s'enclenche ; voir [Figure 23](#).

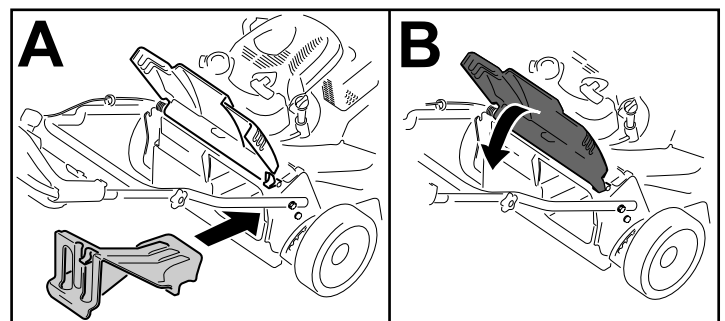


Figure 23

g234924

▲ ATTENTION

Si vous utilisez la machine pour recycler les déchets d'herbe sans avoir mis l'obturateur en place, des objets peuvent être éjectés dans votre direction ou celle d'autres personnes. Un contact avec les lames est également possible. Les objets éjectés ou les lames peuvent causer des blessures graves ou mortelles.

Assurez-vous que l'obturateur d'éjection arrière est en place avant de procéder au recyclage. N'engagez jamais les lames à moins que l'obturateur d'éjection arrière ou le bac à herbe ne soit monté sur la machine.

Ramassage de l'herbe coupée

Utilisez le bac à herbe pour recueillir les débris d'herbe et de feuilles déposés sur la pelouse.

Si la goulotte d'éjection latérale est montée sur la machine, enlevez-la avant de procéder au ramassage de l'herbe ; voir [Dépose de la goulotte d'éjection latérale](#) (page 18).

Montage du bac à herbe

1. Soulevez le volet arrière et gardez-le dans cette position (A de la [Figure 24](#)).
2. Retirez l'obturateur d'éjection arrière en appuyant sur le verrou avec le pouce et en tirant l'obturateur hors de la machine (B de la [Figure 24](#)).
3. Placez la tige du bac dans les crans à la base du guidon et agitez le bac d'avant en arrière pour vous assurer que la tige est bien engagée au fond des deux crans (C de la [Figure 24](#)).
4. Abaissez le volet arrière jusqu'à ce qu'il repose sur le bac à herbe.

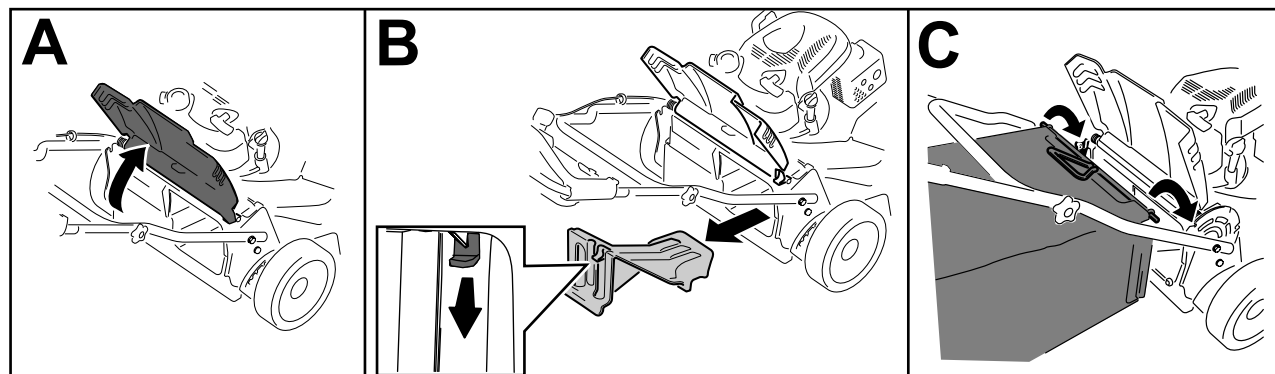


Figure 24

g244854

Retrait du bac à herbe

Pour retirer le bac à herbe, inversez la procédure de montage décrite dans [Montage du bac à herbe](#) (page 17).

Éjection latérale de l'herbe coupée

Utilisez l'éjection latérale lorsque l'herbe est très haute.

Si le bac à herbe est monté sur la machine, retirez-le et insérez l'obturateur d'éjection arrière (voir [Retrait du bac à herbe](#) (page 17)) avant de procéder à l'éjection latérale.

Important: Assurez-vous que l'obturateur d'éjection arrière est en place avant de procéder au recyclage ([Figure 23](#)).

Montage de la goulotte d'éjection latérale

Déverrouillez et soulevez le déflecteur latéral, et montez la goulotte d'éjection latérale ([Figure 25](#)).

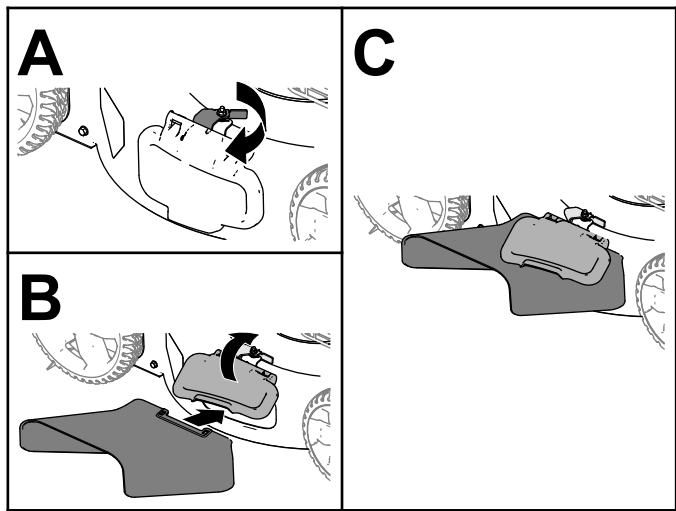


Figure 25

Dépose de la goulotte d'éjection latérale

Pour déposer la goulotte d'éjection latérale, soulevez le déflecteur latéral, déposez la goulotte, puis rabaissez le déflecteur jusqu'à ce qu'il s'enclenche solidement en place.

Conseils d'utilisation

Conseils de tonte généraux

- Inspectez la zone de travail et débarrassez-la de tout objet pouvant être projeté par la machine.
- Évitez de heurter des obstacles avec les lames. Ne passez jamais intentionnellement sur un objet quel qu'il soit.
- Si la machine a heurté un obstacle ou commence à vibrer, coupez immédiatement le moteur, retirez la clé (selon l'équipement), débranchez le fil de la bougie et vérifiez si la machine n'est pas endommagée.
- Pour obtenir des résultats optimaux, remplacez les lames au début de la saison de tonte.
- Remplacez les lames dès que nécessaire par des lames Toro d'origine.

La tonte

- Ne tondez l'herbe que sur un tiers de sa hauteur à chaque fois. N'utilisez pas une hauteur de coupe inférieure à 51 mm, sauf si l'herbe est clairsemée ou à la fin de l'automne quand la pousse commence à ralentir.
- Si l'herbe fait plus de 15 cm, effectuez un premier passage à vitesse réduite à la hauteur de coupe la plus haute. Effectuez ensuite un deuxième

passage à une hauteur de coupe inférieure pour obtenir une coupe plus esthétique. L'herbe trop haute risque d'obstruer la machine et de faire caler le moteur.

- L'herbe et les feuilles humides ont tendance à s'agglomérer sur la pelouse et peuvent obstruer la machine et faire caler le moteur. Évitez de tondre quand l'herbe est humide.
- Soyez conscient des risques d'incendie par temps très sec, respectez tous les avertissements locaux relatifs aux incendies, et ne laissez pas l'herbe et les feuilles sèches s'accumuler sur la machine.
- Alternez la direction de la tonte. Cela permet de disperser les déchets plus uniformément et d'obtenir une fertilisation plus homogène.
- Si l'aspect de la pelouse tondu n'est pas satisfaisant, essayez une ou plusieurs des solutions suivantes :
 - Remplacez les lames ou faites-les aiguiser.
 - Tondez en avançant plus lentement.
 - Augmentez la hauteur de coupe.
 - Tondez plus souvent.
 - Empiétez sur les passages précédents pour tondre une largeur de bande réduite.

Hachage des feuilles

- Après la tonte, 50 % de la pelouse doit être visible sous la couche de feuilles hachées. Vous devrez peut-être repasser plusieurs fois sur les feuilles.
- Si la couche de feuilles sur la pelouse fait plus de 13 cm d'épaisseur, utilisez une hauteur de coupe plus élevée, puis faites un second passage à la hauteur de coupe désirée.
- Ralentissez la vitesse de tonte si les feuilles ne sont pas hachées assez menues.

Après l'utilisation

Consignes de sécurité après l'utilisation

Consignes de sécurité générales

- Coupez toujours le moteur, enlevez la clé de contact (selon l'équipement), attendez l'arrêt complet de toutes les pièces mobiles et laissez refroidir la machine avant de la régler, d'en faire l'entretien, de la nettoyer ou de la remiser.
- Pour éviter les risques d'incendie, enlevez les brins d'herbe et autres débris qui sont agglomérés

sur la machine. Nettoyez les coulées éventuelles d'huile ou de carburant.

- Ne remisez jamais la machine ni les bidons de carburant à proximité d'une flamme nue, d'une source d'étincelles ou d'une veilleuse, telle celle d'un chauffe-eau ou d'autres appareils.

Consignes de sécurité pour le transport

- Retirez la clé de contact (selon l'équipement) avant de charger la machine pour le transport.
- Faites preuve de prudence pour le chargement ou le déchargement de la machine.
- Empêchez la machine de rouler.

Nettoyage du dessous de la machine

Périodicité des entretiens: À chaque utilisation ou une fois par jour

1. Amenez la machine sur un sol plat et horizontal.
2. Coupez le moteur et attendez l'arrêt complet de toutes les pièces mobiles avant de quitter la position d'utilisation.
3. Abaissez la machine à la hauteur de coupe la plus basse. Voir [Réglage de la hauteur de coupe \(page 11\)](#).
4. Branchez un tuyau d'arrosage au raccord de lavage et ouvrez l'arrivée d'eau à fond ([Figure 26](#)).

Remarque: Enduisez de vaseline le joint torique du raccord de lavage pour faciliter le branchement du tuyau d'arrosage sans endommager le joint torique.

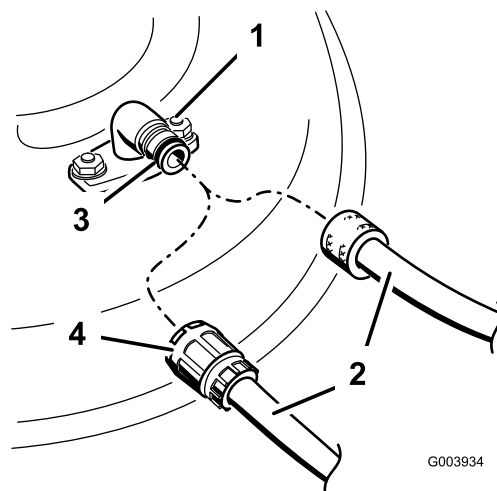


Figure 26

- | | |
|----------------------|------------------|
| 1. Raccord de lavage | 3. Joint torique |
| 2. Tuyau d'arrosage | 4. Raccord |

5. Mettez le moteur en marche, engagez le levier de commande des lames et laissez le moteur et les lames tourner pendant 1 à 3 minutes.
6. Désengagez le levier de commande des lames, coupez le moteur et attendez l'arrêt complet de toutes les pièces mobiles.
7. Coupez l'eau et débranchez le tuyau d'arrosage du raccord de lavage.

Remarque: Si la machine est encore sale après un seul lavage, arrosez-la et laissez-la tremper 30 minutes. Recommencez ensuite la procédure.

8. Remettez la machine en marche et engagez les lames pendant 1 à 3 minutes pour évacuer l'excès d'eau.

⚠ ATTENTION

Si le raccord de lavage est cassé ou manquant, l'utilisateur et les personnes à proximité peuvent être blessés par la projection d'objets ou par un contact avec la lame. Des débris projetés ou un contact avec la lame peuvent occasionner des blessures graves ou mortelles.

- Si le raccord de lavage est cassé ou manquant, n'utilisez pas la machine avant de l'avoir remplacé.
- Ne mettez jamais les mains ou les pieds sous la machine ni dans aucune de ses ouvertures.

Entretien

Programme d'entretien recommandé

Périodicité d'entretien	Procédure d'entretien
Après les 5 premières heures de fonctionnement	<ul style="list-style-type: none">• Vidangez l'huile moteur.
À chaque utilisation ou une fois par jour	<ul style="list-style-type: none">• Contrôlez le niveau d'huile moteur et faites l'appoint si nécessaire.• Contrôlez le fonctionnement du débrayage du frein de lame.• Enlevez l'herbe coupée et autres débris accumulés sous la machine.• Contrôlez le filtre à air et nettoyez-le ou remplacez-le au besoin.• Contrôlez les lames.
Toutes les 25 heures	<ul style="list-style-type: none">• Chargez la batterie pendant 24 heures (modèle à démarrage électrique uniquement).
Toutes les 50 heures	<ul style="list-style-type: none">• Nettoyez le filtre à air (plus fréquemment si l'atmosphère est très poussiéreuse).• Vidangez l'huile moteur.• Effectuez l'entretien du système d'entraînement des lames.
Toutes les 200 heures	<ul style="list-style-type: none">• Remplacez le filtre à air (plus fréquemment si l'atmosphère est très poussiéreuse).
Une fois par an	<ul style="list-style-type: none">• Effectuez l'entretien du filtre à air ; faites-le plus fréquemment si l'atmosphère est très poussiéreuse.• Vidangez l'huile moteur.• Faites l'entretien des lames.
Une fois par an ou avant le remisage	<ul style="list-style-type: none">• Chargez la batterie (modèle à démarrage électrique uniquement).• Vidangez le réservoir de carburant avant le remisage annuel et avant les réparations qui le nécessitent.

Important: Reportez-vous au manuel du propriétaire du moteur pour toutes procédures d'entretien supplémentaires.

Consignes de sécurité pendant l'entretien

- Débranchez le fil de la bougie et retirez la clé de contact (modèle à démarrage électrique seulement) avant d'entreprendre tout entretien.
- Portez des gants et une protection oculaire pour faire l'entretien de la machine.
- La lame est tranchante et vous pouvez vous blesser gravement à son contact. Portez des gants pour effectuer l'entretien de la lame. Ne réparez pas et ne modifiez pas les lames.
- N'enlevez pas et ne modifiez pas les dispositifs de sécurité. Vérifiez régulièrement qu'ils fonctionnent correctement.
- Du carburant peut s'échapper lorsque la machine est basculée sur le côté. Le carburant est inflammable et explosif, et peut causer des blessures. Laissez tourner le moteur jusqu'à ce qu'il s'arrête faute de carburant ou vidangez le reste du carburant avec une pompe manuelle ; ne siphonnez jamais le carburant.
- Pour garantir un rendement optimal de la machine, utilisez uniquement des pièces de rechange

et accessoires Toro d'origine. Les pièces de rechange et accessoires provenant d'autres constructeurs peuvent être dangereux, et leur utilisation risque d'annuler la garantie de la machine.

Préparation à l'entretien

1. Coupez le moteur, enlevez la clé de contact (selon l'équipement) et attendez l'arrêt complet de toutes les pièces mobiles.
2. Débranchez le fil de la bougie (Figure 27).

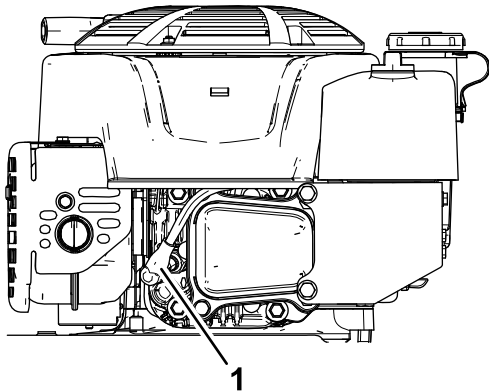


Figure 27

g191983

1. Fil de bougie

3. Rebranchez le fil de la bougie une fois l'entretien terminé.

Important: Avant de basculer la machine pour vidanger l'huile ou remplacer les lames, laissez le moteur en marche jusqu'à ce qu'il s'arrête faute de carburant. Si vous ne pouvez pas attendre que le moteur s'arrête par manque de carburant, utilisez une pompe manuelle pour vider le reste de carburant. Basculez toujours la machine sur le côté (jauge en bas).

⚠ ATTENTION

Du carburant peut s'échapper lorsque la machine est basculée sur le côté. Le carburant est inflammable et explosif, et peut causer des blessures.

Laissez tourner le moteur jusqu'à ce qu'il s'arrête faute de carburant ou vidangez le reste du carburant avec une pompe manuelle ; ne siphonnez jamais le carburant.

Entretien du filtre à air

Périodicité des entretiens: À chaque utilisation ou une fois par jour—Contrôlez le filtre à air et nettoyez-le ou remplacez-le au besoin.

Toutes les 50 heures—Nettoyez le filtre à air (plus fréquemment si l'atmosphère est très poussiéreuse).

Une fois par an—Effectuez l'entretien du filtre à air ; faites-le plus fréquemment si l'atmosphère est très poussiéreuse.

Toutes les 200 heures—Remplacez le filtre à air (plus fréquemment si l'atmosphère est très poussiéreuse).

1. Retirez la fixation du couvercle du filtre à air et déposez le couvercle (Figure 28).

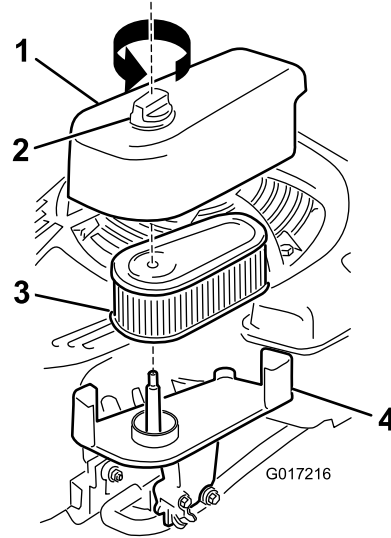


Figure 28

g017216

1. Couvercle
2. Fixation
3. Filtre
4. Base

2. Déposez et examinez le filtre.

- Remplacez le filtre s'il est endommagé ou humidifié par de l'huile ou de l'essence.
- Si le filtre est sale, tapotez-le contre une surface dure à plusieurs reprises ou soufflez les débris de l'intérieur vers l'extérieur en utilisant de l'air comprimé à moins de 2,07 bar.

Remarque: N'utilisez pas de brosse et ne soufflez pas les saletés depuis l'extérieur du filtre ; dans les deux cas, la saleté s'incrusterait dans les fibres.

3. Nettoyez le boîtier et le couvercle du filtre à air avec un chiffon humide. **Ne faites pas tomber de saleté dans le passage d'air.**
4. Installez le filtre sur la base.
5. Reposez le couvercle et serrez fermement le bouton de fixation.

Vidange de l'huile moteur

Périodicité des entretiens: Après les 5 premières heures de fonctionnement

Toutes les 50 heures

Une fois par an

Remarque: Faites tourner le moteur pendant quelques minutes avant la vidange pour réchauffer l'huile. L'huile chaude s'écoule plus facilement et entraîne plus d'impuretés.

Huile moteur spécifiée

Capacité d'huile moteur	0,53 l*
Viscosité d'huile	Huile détergente SAE 30 ou SAE 10W-30
Classe de service API	SJ ou mieux

*Il reste de l'huile dans le carter après la vidange d'huile. Ne remplissez pas complètement le carter d'huile. Remplissez le carter d'huile en procédant comme suit :

1. Amenez la machine sur un sol plat et horizontal.
2. Voir [Préparation à l'entretien \(page 21\)](#).
3. Tournez le bouchon dans le sens antihoraire et sortez la jauge ([Figure 29](#)).

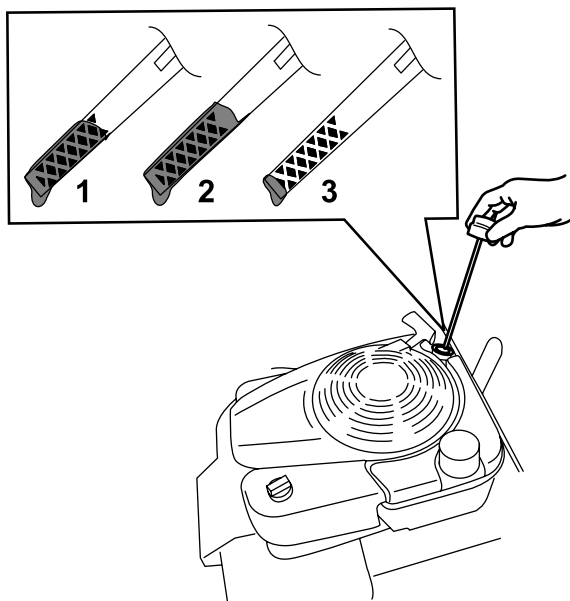
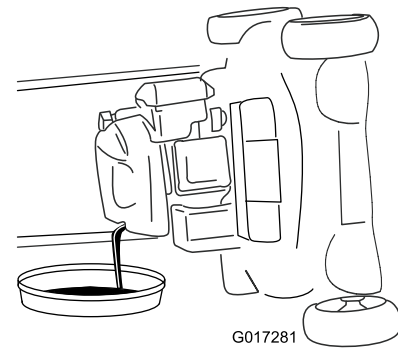


Figure 29

g193261

1. Niveau max.
2. Niveau excessif
3. Niveau min.

4. Basculez la machine sur le côté (filtre à air en haut) pour vidanger l'huile usagée par le tube de remplissage ([Figure 30](#)).



G017281

Figure 30

g017281

5. Redressez la machine après avoir vidangé l'huile usagée.
6. Versez avec précaution 75 % environ de la capacité d'huile moteur dans le tube de remplissage d'huile.
7. Attendez 3 minutes pour donner le temps à l'huile de se stabiliser dans le moteur.
8. Essuyez la jauge sur un chiffon propre.
9. Insérez la jauge au fond du goulot de remplissage, puis ressortez-la.
10. Relevez le niveau d'huile indiqué sur la jauge ([Figure 29](#)).
 - Si le niveau n'atteint pas le repère minimum sur la jauge, versez lentement une petite quantité d'huile dans le tube de remplissage, attendez 3 minutes puis répétez les opérations 8 à 10 jusqu'à atteindre un niveau d'huile correct.
 - Si le niveau d'huile est trop élevé, vidangez l'excédent d'huile jusqu'à ce que la jauge indique le niveau correct.
11. Insérez et vissez solidement la jauge dans le tube de remplissage.
12. Recyclez l'huile usagée conformément à la réglementation locale en matière d'environnement.

Charge de la batterie

Modèles à démarrage électrique seulement

Périodicité des entretiens: Toutes les 25 heures

Une fois par an ou avant le remisage

Chargez la batterie pendant 24 heures la première fois, puis tous les mois (tous les 25 démarrages) ou selon les besoins. Utilisez toujours le chargeur dans un lieu à l'abri et chargez la batterie à la température ambiante (22 °C) dans la mesure du possible.

Remarque: La machine n'est pas équipée d'un système de charge de l'alternateur.

1. Branchez le chargeur sur le faisceau de câblage situé sous la clé de contact ([Figure 31](#)).

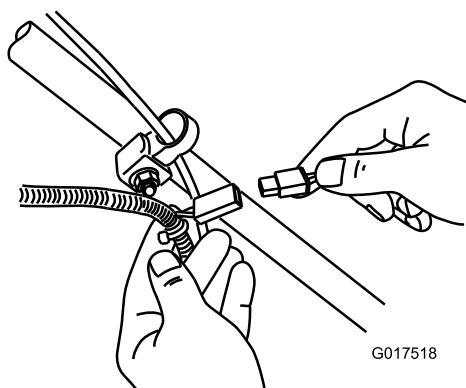


Figure 31

2. Branchez le chargeur à une prise murale.

Remarque: Lorsque la batterie ne peut plus être rechargée, recyclez-la ou mettez-la au rebut conformément à la réglementation locale en matière d'environnement.

Remarque: Le chargeur de batterie peut comprendre une diode bicolore qui indique les différents états de charge suivants :

- La diode rouge indique que la batterie est en charge.
- La diode verte indique que le chargeur est chargé au maximum ou est débranché de la batterie.
- La diode clignote alternativement en rouge et vert pour indiquer que la charge de la batterie est presque terminée. Cet état ne dure que quelques minutes avant que la batterie soit chargée au maximum.

Remplacement du fusible

Modèles à démarrage électrique seulement

Si la batterie ne se charge pas ou si le moteur ne tourne pas avec le démarreur électrique, le fusible a probablement grillé. Remplacez-le par un fusible enfichable de 40 A.

Important: Le démarreur électrique ne fonctionnera pas et la batterie ne pourra pas être chargée si un fusible en bon état n'est pas en place.

1. Ouvrez le porte-fusible étanche et remplacez le fusible ([Figure 32](#)).

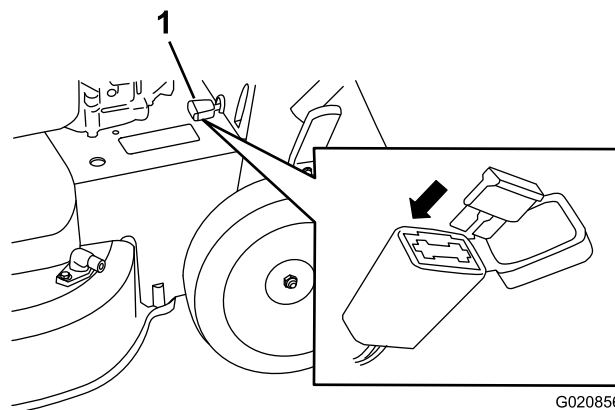


Figure 32

1. Porte-fusible

2. Fermez le couvercle du porte-fusible et assurez-vous qu'il est bien hermétique.

Remplacement de la batterie

Modèles à démarrage électrique uniquement

Retrait de l'ancienne batterie

1. Adressez-vous à un concessionnaire-réparateur agréé pour obtenir une batterie de rechange.
2. Déposez le couvercle de courroie ; voir l'opération 1 de la section [Entretien du système d'entraînement des lames \(page 25\)](#).
3. Retirez l'obturateur d'éjection arrière.
4. Amenez le guidon à la position verticale.
5. Retirez les 4 petits boulons qui fixent en place l'ensemble volet arrière et levier de verrouillage du guidon.
6. Pliez le guidon complètement vers l'avant

- Déposez l'ensemble volet arrière et levier de verrouillage du guidon (Figure 33).

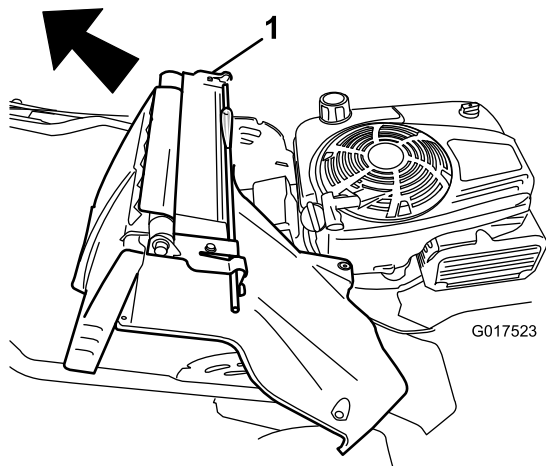


Figure 33

g017523

- Ensemble volet arrière et levier de verrouillage du guidon

- Déposez le couvercle de la batterie.
- Débranchez les câbles de la batterie.
- Déposez la batterie et recyclez-la.

Remarque: Recyclez la batterie conformément à la réglementation nationale et locale en matière d'environnement.

Mise en place de la batterie neuve

- Nettoyez l'emplacement de la batterie sur le carter de la machine.
- Installez la nouvelle batterie sur le carter de la machine.
- Branchez les câbles à la nouvelle batterie.

Remarque: Assurez-vous de relier le câble noir (négatif) à la borne négative (-), et le câble rouge (positif) à la borne positive (+).

- Remplacez le couvercle sur la batterie.
- Remarque:** Assurez-vous que le couvercle recouvre bien le faisceau de câblage.
- Reposez l'ensemble volet arrière et levier de verrouillage du guidon sur la machine.
- Relevez le guidon à la position verticale.
- Fixez le carénage avec les 4 petits boulons que vous avez retirés à l'opération 5 de [Retrait de l'ancienne batterie](#) (page 23).

- Installez l'obturateur d'éjection arrière.
- Ramenez le guidon à la position normale d'utilisation.

Réglage de l'autopropulsion

Modèles autopropulsés seulement

Lorsque vous remplacez un câble de commande d'autopropulsion ou que l'autopropulsion est dérégulée, vous devez régler la commande d'autopropulsion.

- Tournez l'écrou de réglage dans le sens antihoraire pour desserrer le réglage du câble (Figure 34).

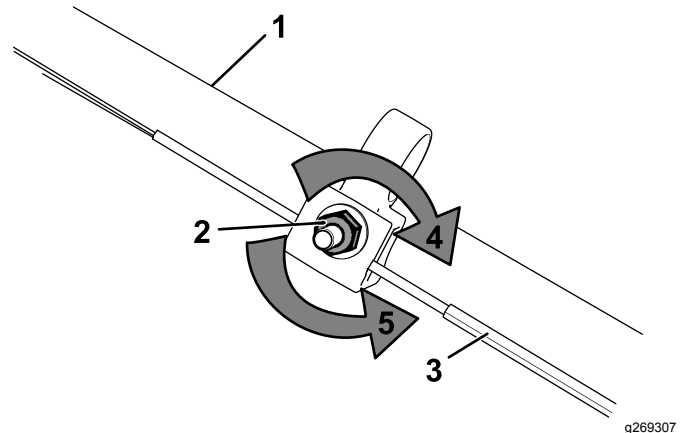


Figure 34

- Guidon (côté gauche)
- Écrou de réglage
- Câble d'autopropulsion
- Tourner l'écrou dans le sens horaire pour serrer le réglage
- Tourner l'écrou dans le sens antihoraire pour desserrer le réglage

- Ajustez la tension du câble (Figure 34) en le tirant en arrière ou en le poussant en avant puis en le maintenant à cette position.

Remarque: Poussez le câble vers le moteur pour accroître la traction et éloignez-le du moteur pour réduire la traction.

- Tournez l'écrou de réglage dans le sens horaire pour serrer le réglage du câble.

Remarque: Serrez l'écrou solidement avec une clé à douille ou à molette.

Entretien du système d'entraînement des lames

Périodicité des entretiens: Toutes les 50 heures

1. Déposez le couvercle du système d'entraînement des lames (Figure 35).

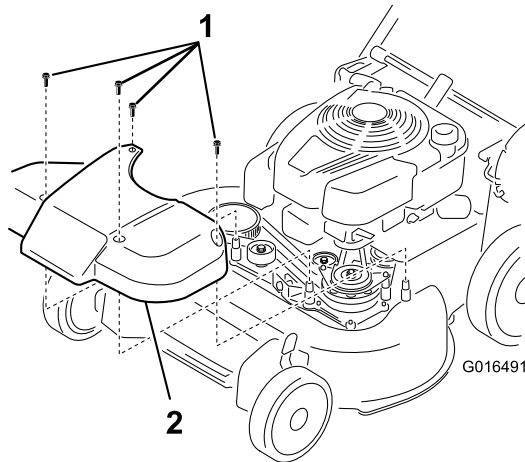


Figure 35

1. Boulons
2. Couvercle

2. Enlevez les débris qui se trouvent à l'intérieur du déflecteur et sur les pièces qui l'entourent à la brosse ou à l'air comprimé.
3. Tenez une jauge d'épaisseur de 0,25 mm, un morceau de papier, ou une petite carte contre la paroi et faites-le(la) glisser derrière le ressort de tension de la courroie.

Remarque: S'il y a un espace visible entre la jauge et le ressort, serrez le boulon et l'écrou de réglage jusqu'à ce que le papier puisse juste passer dans l'espace (Figure 36).

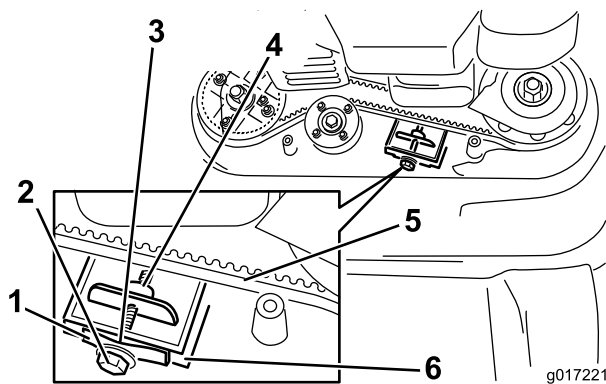


Figure 36

1. Ressort de tension de courroie
2. Boulon de réglage
3. Espace
4. Écrou de réglage
5. Courroie d'entraînement des lames
6. Paroi

Important: Ne serrez pas le boulon de réglage excessivement. Cela risquerait d'endommager la courroie d'entraînement des lames.

4. Reposez le couvercle du système d'entraînement des lames déposé précédemment.

Entretien des lames

Périodicité des entretiens: Une fois par an

Important: Vous aurez besoin d'une clé dynamométrique pour monter les lames correctement. Si vous n'en possédez pas ou si vous ne vous sentez pas capable d'effectuer cette procédure, adressez-vous à un concessionnaire-réparateur agréé.

Examinez l'état des lames chaque fois que le réservoir de carburant est vide. Si les lames sont endommagées ou fêlées, remplacez-les immédiatement. Si les lames sont émoussées ou ébréchées, faites-les aiguiser et équilibrer ou remplacez-les.

Important: Portez toujours des gants pour travailler avec une lame.

⚠ ATTENTION

Une lame usée ou endommagée peut se briser et projeter le morceau cassé dans votre direction ou celle d'autres personnes, et infliger des blessures graves.

- Vérifiez l'état et l'usure des lames périodiquement.
- Remplacez les lames usées ou endommagées.

Remarque: Utilisez des lames bien aiguisées durant toute la saison de tonte, pour obtenir une coupe nette sans arracher ni déchiqueter les brins d'herbe.

Préparation à l'entretien des lames

1. Bloquez le guidon en position verticale (Figure 37) ; voir Réglage de la hauteur du guidon (page 10).

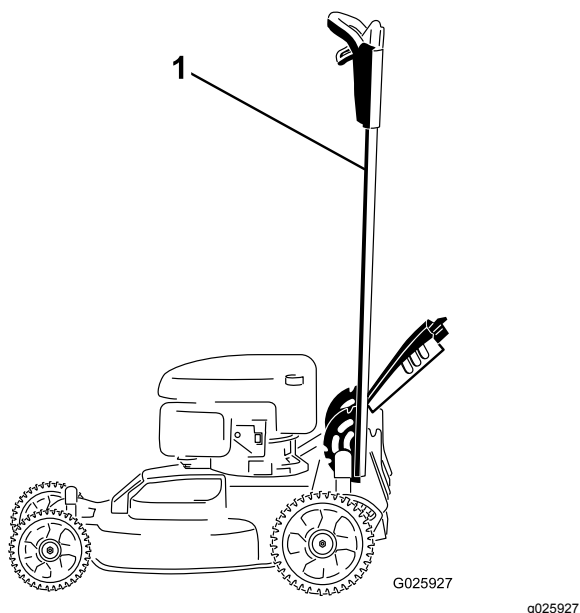


Figure 37

1. Guidon bloqué en position verticale

2. Basculez la machine sur le côté, jauge vers le bas, jusqu'à ce que la partie supérieure du guidon repose sur le sol.

Contrôle des lames

Périodicité des entretiens: À chaque utilisation ou une fois par jour

1. Examinez le tranchant des lames (Figure 38). Si elles sont émoussées ou présentent des indentations, déposez les lames et affûtez-les ou remplacez-les.

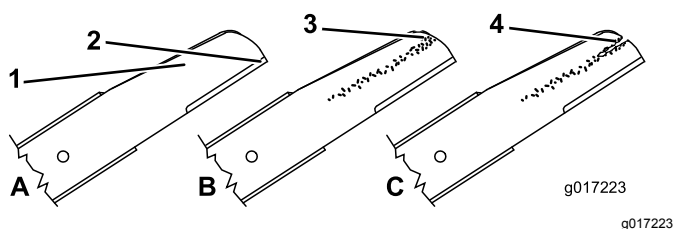


Figure 38

- | | |
|--------------|-----------------------------------|
| 1. Tranchant | 3. Usure/formation d'une entaille |
| 2. Ailette | 4. Fissure |

2. Inspectez les lames, en particulier l'ailette (Figure 38). Remplacez immédiatement toute lame endommagée, usée ou qui présente une entaille.

⚠ ATTENTION

Si une lame est trop usée, une entaille se forme entre l'ailette et la partie plane. La lame peut alors se briser et un morceau être projeté du dessous de la machine, vous blessant gravement ou une personne à proximité.

- Contrôlez l'état et l'usure des lames périodiquement.
- N'essayez jamais de redresser une lame faussée ou de souder une lame brisée ou fendue.
- Remplacez les lames usées ou endommagées.

3. Recherchez les lames faussées ; voir Détection des lames faussées (page 26).

Détection des lames faussées

1. Tournez les lames à la position indiquée à la Figure 39.

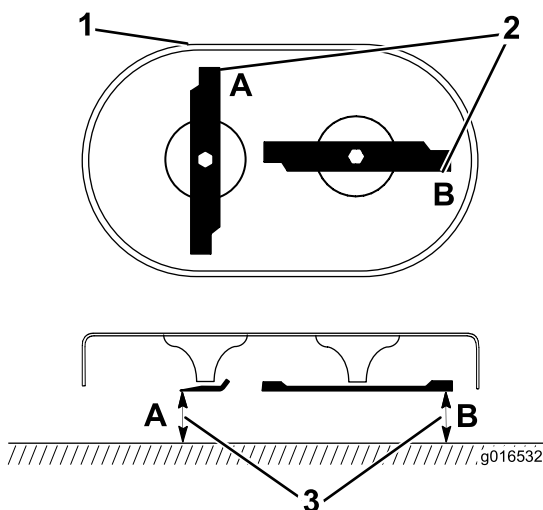


Figure 39

1. Avant du plateau de coupe 3. Mesurer la distance entre le tranchant et une surface plane et horizontale
2. Mesurer aux points A et B
2. Mesurez la distance entre une surface plane et le tranchant des lames aux points A et B, (Figure 39), et notez ces deux dimensions.
3. Tournez les lames pour faire passer les extrémités opposées aux points A et B (Figure 39).

- Répétez les mesures de l'opération 2 et notez-les.

Remarque: Si une différence de plus de 3 mm existe entre les dimensions **A** et **B** obtenues aux opérations 2 et 4, cela signifie que la lame est faussée et doit être remplacée. Voir [Dépose des lames](#) (page 27) et [Pose des lames](#) (page 27).

⚠ ATTENTION

Une lame faussée ou endommagée peut se briser et projeter le morceau cassé dans votre direction ou celle de personnes à proximité, et infliger des blessures graves ou mortelles.

- Remplacez toujours une lame faussée ou endommagée par une neuve.
- Ne créez jamais d'indentations dans les bords ou à la surface des lames, par exemple en les limant.

Dépose des lames

Remplacez les lames si la machine heurte un obstacle ou si une lame est déséquilibrée ou faussée. Utilisez uniquement des lames de rechange Toro d'origine.

- Servez-vous d'une cale en bois pour immobiliser chaque lame et dévissez le boulon de lame, comme montré à la [Figure 40](#).

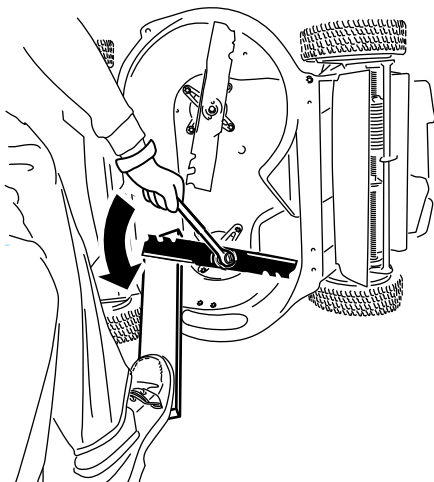


Figure 40

g232790

- Déposez chaque lame comme montré à la [Figure 41](#).

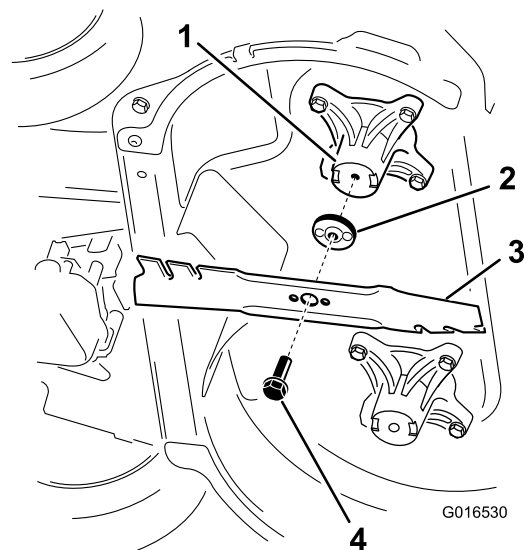


Figure 41

- Axe (2)
- Dispositif d'entraînement des lames (2)
- Lame (2)
- Boulon de lame (2)

g016530

- Contrôlez l'état et l'usure des goupilles sur les dispositifs d'entraînement des lames.

Pose des lames

- Montez la première lame de sorte qu'elle soit horizontale, et reposez toutes les fixations, comme montré à la [Figure 41](#).

Remarque: Serrez le boulon à la main.

Important: Les extrémités relevées des lames doivent être dirigées vers la machine. Assurez-vous d'emboîter les parties en relief de chaque dispositif d'entraînement des lames dans les creux de la tête de l'axe correspondant, et d'emboîter les goupilles de l'autre côté de chaque dispositif d'entraînement dans les trous de la lame correspondante.

- Immobilisez chaque lame à l'aide d'une planche et tournez le boulon de lame dans le sens horaire au moyen d'une clé dynamométrique comme montré à la [Figure 42](#) ; serrez chaque boulon de lame à 82 N·m.

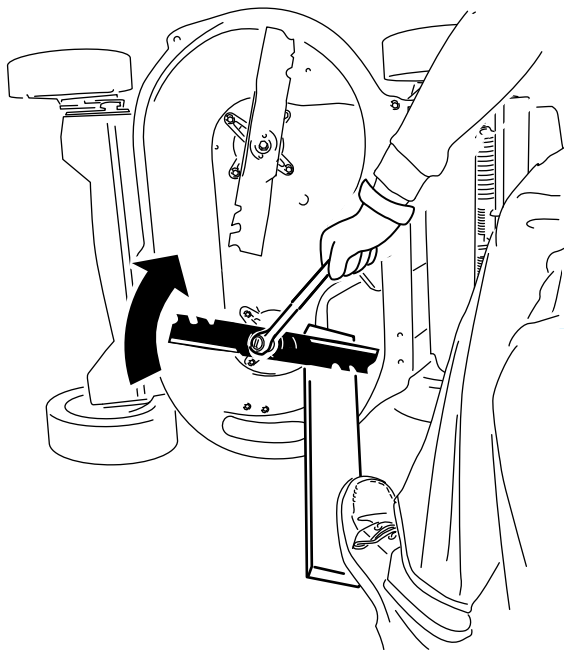


Figure 42

g232801

⚠ ATTENTION

Des lames mal installées risquent d'endommager la machine ou de vous blesser ou de blesser toute personne à proximité.

Montez toujours les lames avec prudence.

3. Tournez la lame installée d'un quart de tour jusqu'à ce qu'elle soit à la verticale, puis montez l'autre lame de la même manière (voir l'opération 1).

Remarque: Les lames doivent être perpendiculaires et former un « T » inversé, comme montré à la Figure 43.

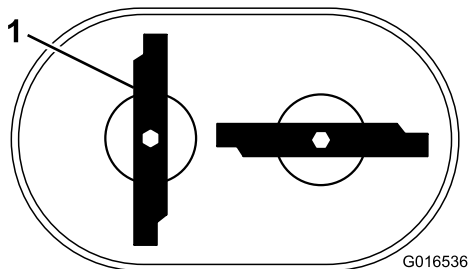


Figure 43

g016536

1. Lame (2)

4. Serrez la deuxième lame ; voir l'opération 2.
5. Tournez les lames à la main d'un tour complet (360°) pour vérifier qu'elles ne se touchent pas.

Remarque: Si les lames se touchent, elles ne sont pas montées correctement. Répétez les opérations 1 à 3 jusqu'à ce que les lames ne se touchent plus.

Remisage

Remisez la machine dans un local frais, propre et sec.

Consignes de sécurité pour le remisage

Coupez toujours le moteur, enlevez la clé de contact (selon l'équipement), attendez l'arrêt complet de toutes les pièces mobiles et laissez refroidir la machine avant de la régler, d'en faire l'entretien, de la nettoyer ou de la remiser.

Informations générales

1. Effectuez les procédures d'entretien annuelles recommandées ; voir [Entretien \(page 20\)](#).
2. Nettoyez le dessous du carter de la machine ; voir [Nettoyage du dessous de la machine \(page 19\)](#).
3. Enlevez les déchets d'herbe, la saleté et la crasse des surfaces externes du moteur, du capot et du dessus de la machine.
4. Vérifiez l'état des lames ; voir [Contrôle des lames \(page 26\)](#).
5. Effectuez l'entretien du filtre à air ; voir [Entretien du filtre à air \(page 21\)](#).
6. Serrez tous les écrous, boulons et vis.
7. Retouchez tous les points de rouille et les surfaces éraflées avec de la peinture en vente chez les concessionnaires-réparateurs agréés.
8. **Modèle à démarrage électrique seulement :** chargez la batterie pendant 24 heures, puis débranchez le chargeur et remisez la machine dans un local non chauffé. Si vous ne disposez que d'un local chauffé, rechargez la batterie tous les 3 mois. Enlevez la clé de contact.
9. Repliez le guidon pour le remisage ; voir [1 Assemblage et dépliage du guidon \(page 4\)](#).

Préparation du système d'alimentation

⚠ ATTENTION

Le carburant peut s'évaporer si vous le conservez trop longtemps ; les vapeurs de carburant risquent en outre d'exploser si elles rencontrent une flamme nue.

- **Ne conservez pas le carburant trop longtemps.**
- **S'il reste du carburant dans le réservoir ou le carburateur, ne remisez pas la machine dans un local fermé où se trouve une flamme nue, telle la veilleuse d'un chauffe-eau ou d'une chaudière par exemple.**
- **Laissez refroidir le moteur avant de remiser la machine dans un local fermé.**

Lors du dernier plein de la saison, ajoutez un stabilisateur au carburant selon les instructions du constructeur du moteur. Vidangez le réservoir de carburant après la dernière tonte, avant de remiser la machine.

1. Laissez tourner le moteur de la machine jusqu'à ce qu'il s'arrête faute de carburant.
2. Remettez le moteur en marche et laissez-le tourner jusqu'à ce qu'il s'arrête. Le moteur est suffisamment sec lorsqu'il n'y a plus moyen de le faire démarrer.

Préparation du moteur

1. Vidangez l'huile moteur quand le moteur est encore chaud ; voir [Vidange de l'huile moteur \(page 22\)](#).
2. Débranchez le fil de la bougie et retirez la clé de contact (modèle à démarrage électrique seulement).
3. Déposez la bougie.
4. Au moyen d'une burette, versez environ 30 ml d'huile dans le carter par le trou de la bougie.
5. Tirez lentement la poignée du lanceur à plusieurs reprises pour bien répartir l'huile à l'intérieur du cylindre.
6. Reposez la bougie, mais ne rebranchez pas le fil. Attachez le fil pour qu'il ne touche pas la bougie.

Remise en service après remisage

1. Dépliez le guidon ; voir [1 Assemblage et dépliage du guidon \(page 4\)](#).
2. Contrôlez et resserrez toutes les fixations.
3. Retirez la bougie et faites tourner le moteur rapidement à l'aide du lanceur pour éliminer l'excédent d'huile dans le cylindre.
4. Examinez la bougie d'allumage et remplacez-la si elle est encrassée, usée ou fendue ; reportez-vous au manuel du propriétaire du moteur.
5. Reposez et serrez la bougie au couple recommandé de 20 N·m.
6. Procédez aux entretiens requis ; voir [Entretien \(page 20\)](#).
7. Contrôlez le niveau d'huile moteur ; voir [Remplissage du réservoir de carburant \(page 9\)](#).
8. Remplissez le réservoir de carburant neuf ; voir [Remplissage du réservoir de carburant \(page 9\)](#).
9. **Modèle à démarrage électrique seulement :** chargez la batterie ; voir [5 Charge de la batterie \(page 6\)](#).
10. Rebranchez le fil de la bougie.

Déclaration de confidentialité EEE/R-U

Utilisation de vos renseignements personnels par Toro

La société The Toro Company (« Toro ») respecte votre vie privée. Lorsque vous achetez nos produits, nous pouvons recueillir certaines données personnelles vous concernant, soit directement soit par l'intermédiaire de votre société ou concessionnaire Toro local(e). Toro utilise ces données pour s'acquitter d'obligations contractuelles, par exemple pour enregistrer votre garantie, traiter une réclamation au titre de la garantie ou vous contacter dans l'éventualité d'un rappel de produit, mais aussi à des fins commerciales légitimes, par exemple pour mesurer la satisfaction des clients, améliorer nos produits ou vous transmettre des informations sur les produits susceptibles de vous intéresser. Toro pourra partager les données personnelles que vous lui aurez communiquées avec ses filiales, concessionnaires ou autres partenaires commerciaux dans le cadre de ces activités. Nous pouvons aussi être amenés à divulguer des données personnelles si la loi l'exige ou dans le cadre de la cession, de l'acquisition ou de la fusion d'une société. Nous ne vendrons jamais vos données personnelles à aucune autre société aux fins de marketing.

Conservation de vos données personnelles

Toro conservera vos données à caractère personnel aussi longtemps que nécessaire pour répondre aux fins susmentionnées et conformément aux dispositions légales applicables. Pour plus de renseignements concernant les durées de conservation applicables, veuillez contacter legal@toro.com.

L'engagement de Toro en matière de sécurité

Vos données à caractère personnel peuvent être traitées aux États-Unis ou dans tout autre pays où la législation concernant la protection des données peut être moins rigoureuse que celle de votre propre pays de résidence. Chaque fois que nous transférerons vos données personnelles hors de votre pays de résidence, nous prendrons toutes les dispositions légales requises pour mettre en place toutes les garanties nécessaires visant à la protection et au traitement sécurisé de vos données.

Droits d'accès et de rectification

Vous pouvez être en droit de corriger ou de vérifier vos données personnelles, ou encore de vous opposer au traitement de vos données, ou d'en limiter la portée. Pour ce faire, veuillez nous contacter par courriel à legal@toro.com. Si vous avez la moindre inquiétude concernant la manière dont Toro a traité vos données personnelles, nous vous encourageons à nous en faire part directement. Veuillez noter que les résidents européens ont le droit de porter plainte auprès de leur Autorité de protection des données.



Count on it.



TimeMaster® 76 cm grasmaaier

Modelnr.: 21810—Serienr.: 406474884 en hoger

Modelnr.: 21811—Serienr.: 405541084 en hoger

Gebruikershandleiding

Inleiding

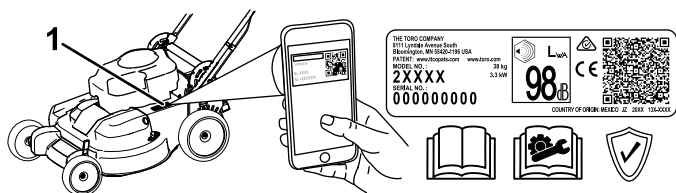
Deze loopmaaier met draaiende messen is bedoeld voor gebruik door particulieren. De machine is voornamelijk ontworpen voor het maaien van gras op goed onderhouden particuliere gazons. Gebruik van dit product voor andere doeleinden dan deze kan gevaarlijk zijn voor u of omstanders.

Lees deze informatie zorgvuldig door, zodat u weet hoe u de machine op de juiste wijze moet gebruiken en onderhouden en om letsel en schade aan de machine te voorkomen. U bent verantwoordelijk voor het juiste en veilige gebruik van de machine.

Ga naar www.toro.com voor meer informatie, inclusief veiligheidstips, instructiemateriaal, informatie over accessoires, hulp bij het vinden van een dealer of om uw product te registreren.

Als u service, originele Toro onderdelen of aanvullende informatie nodig hebt, kunt u contact opnemen met een erkende servicedealer of met de klantenservice van Toro. U dient hierbij altijd het modelnummer en het serienummer van het product te vermelden. De locatie van het plaatje met het modelnummer en het serienummer van het product is aangegeven op [Figuur 1](#). U kunt de nummers noteren in de ruimte hieronder.

Belangrijk: U kunt met uw mobiel apparaat de QR-code op het plaatje met het serienummer (indien aanwezig) scannen om toegang te krijgen tot de garantie, onderdelen en andere productinformatie



Figuur 1

g308051

1. Plaats van modelnummer en serienummer

Modelnr.: _____

Serienr.: _____

Er worden in deze handleiding een aantal mogelijke gevaren en een aantal veiligheidsberichten genoemd ([Figuur 2](#)) met de volgende waarschuwingssymbolen, die duiden op een gevaarlijke situatie die zwaar lichamelijk letsel of de dood tot gevolg kan hebben wanneer de veiligheidsvoorschriften niet in acht worden genomen.



Figuur 2

Waarschuwingssymbool

g000502

Er worden in deze handleiding twee woorden gebruikt om uw aandacht op bijzondere informatie te vestigen. **Belangrijk** attendeert u op bijzondere technische informatie en **Opmerking** duidt algemene informatie aan die bijzondere aandacht verdient.

Dit product voldoet aan alle relevante Europese richtlijnen; zie voor details de aparte productspecifieke conformiteitsverklaring.

Bruto- en nettokoppel: Het bruto- en nettokoppel van deze motor is door de motorfabrikant in laboratoriumomstandigheden gemeten volgens standaard J1940 of J2723 van de Society of Automotive Engineers (SAE). Omdat bij de configuratie rekening is gehouden met de veiligheids- en gebruiksvoorschriften, zal dit type maaiers in de praktijk een veel lager motorkoppel hebben. Raadpleeg de informatie van de motorfabrikant die wordt meegeleverd met de machine.

Gelieve niet te knoeien met de veiligheidsvoorzieningen of deze uit te schakelen. Controleer ook regelmatig dat deze nog werken. Probeer het afgesteld motortoerental niet te veranderen, anders kan er een onveilige situatie ontstaan waardoor u letsel kunt oplopen.



Inhoud

Inleiding	1
Veiligheid	3
Algemene veiligheid	3
Veiligheids- en instructiestickers	4
Montage	5
1 De handgreep monteren en uitklappen.....	5
2 De bedieningsstang voor het maimes monteren.....	5
3 Olie in de motor gieten	6
4 De grasvanger monteren	7
5 De accu opladen.....	7
Algemeen overzicht van de machine	8
Specificaties	9
Werktuigen/accessoires	9
Gebruiksaanwijzing	9
Voor gebruik	9
Veiligheid vóór gebruik.....	9
Brandstoftank vullen	10
Het motoroliepeil controleren	10
Hoogte van handgreep instellen	11
De maaihoogte instellen	11
Tijdens gebruik	12
Veiligheid tijdens gebruik	12
Motor starten	12
De zelfaandrijving gebruiken	14
De motor afzetten	15
De maaimessen inschakelen.....	15
De maaimessen uitschakelen.....	16
De werking van het stopstelsel van het maimes controleren	16
Maaisel recyclen.....	16
Het maaisel opvangen	17
Het maaisel zijwaarts afvoeren	17
Tips voor bediening en gebruik	18
Na gebruik	19
Veiligheid na het werk.....	19
De onderkant van de machine reinigen	19
Onderhoud	21
Aanbevolen onderhoudsschema	21
De machine veilig onderhouden.....	21
Vorbereidingen voor onderhoudswerk- zaamheden	21
Onderhoud van het luchtfilter	22
Motorolie verversen	23
De accu opladen.....	24
De zekering vervangen.....	24
De accu vervangen.....	24
De zelfaandrijving afstellen.....	25
Onderhoud van het mesaandrijfsysteem.....	26
Onderhoud van de maaimessen	26
Controle op kromme messen	28
Maaimessen verwijderen	28
Maaimessen monteren	29
Stalling	30
De machine veilig stallen	30
Algemene informatie.....	30

Het brandstofsysteem gebruiksklaar maken	30
De motor gebruiksklaar maken	30
De maaimachine uit de stalling halen	31

Veiligheid

Deze machine is ontworpen in overeenstemming met de EN-norm ISO 5395.

Algemene veiligheid

Dit product kan handen of voeten afsnijden en voorwerpen uitwerpen. Volg altijd alle veiligheidsinstructies op om ernstig letsel te voorkomen.

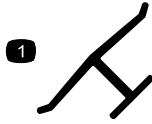
- Voordat u de motor start, moet u de instructies en waarschuwingen in deze *Gebruikershandleiding* en op de machine en de werktuigen lezen, begrijpen en uitvoeren.
- Houd uw handen en voeten uit de buurt van bewegende onderdelen van onder de machine. Blijf altijd uit de buurt van afvoeropeningen.
- Gebruik de machine niet als er schermen of andere beveiligingsmiddelen ontbreken of als deze niet naar behoren werken.
- Laat geen omstanders of kinderen het werkgebied betreden. Laat kinderen nooit de machine bedienen. Laat enkel mensen die verantwoordelijk en getraind zijn en die bovendien vertrouwd zijn met de instructies en fysiek ertoe in staat zijn de machine bedienen.
- Stop de machine, schakel de motor uit, verwijder het contactsleuteltje (indien aanwezig) en wacht totdat alle bewegende delen tot stilstand zijn gekomen voordat u de machine bijtankt, onderhoud verricht of verstoppingen verwijdert.

Onjuist gebruik of onderhoud van deze machine kan letsel tot gevolg hebben. Om het risico op letsel te verkleinen, dient u zich aan de volgende veiligheidsinstructies te houden en altijd op het veiligheidssymbool ▲ te letten, dat betekent Voorzichtig, Waarschuwing of Gevaar – instructie voor persoonlijke veiligheid. Niet-naleving van deze instructies kan leiden tot lichamelijk of dodelijk letsel.

Veiligheids- en instructiestickers



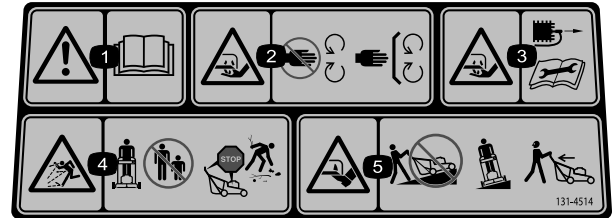
Veiligheidsstickers en veiligheidsinstructies zijn gemakkelijk zichtbaar voor de bestuurder en bevinden zich bij plaatsen waar gevaar kan ontstaan. Vervang alle beschadigde of ontbrekende stickers.



decaloemmarkt

Merkteken van fabrikant

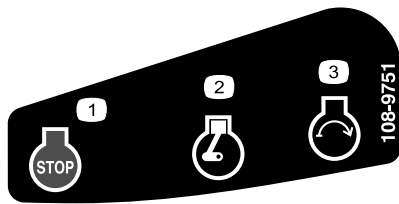
1. Dit merkteken geeft aan dat het mes onderdeel van een originele Toro maaimachine is.



decal131-4514

131-4514

1. Waarschuwing – Lees de *Gebruikershandleiding*.
2. Handen of voeten kunnen worden gesneden/geamputeerd door het maaimes – Blijf uit de buurt van bewegende onderdelen; houd alle beschermende delen op hun plaats.
3. Handen kunnen worden gesneden/geamputeerd door het maaimes – Trek de bougiekabel los vóór u onderhoudswerkzaamheden uitvoert.
4. Gevaar voor weggeslingerde objecten – Houd omstanders op een afstand; zet de motor af alvorens de bestuurderspositie te verlaten; raap afval op voordat u begint te maaien.
5. Handen of voeten kunnen worden gesneden/geamputeerd door het maaimes – Maai nooit heuvelopwaarts en heuvelafwaarts; gebruik de machine dwars op hellingen; kijk achterom als u achteruitloopt.

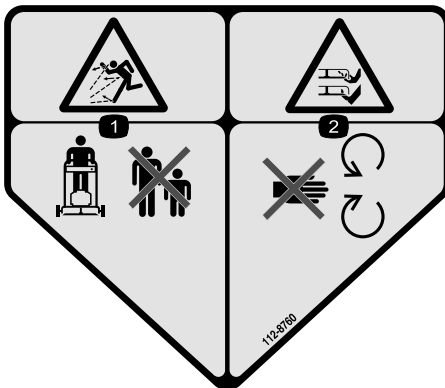


decal108-9751

108-9751

Uitsluitend model met elektrisch startsysteem

1. Motor afzetten
2. Motor – Lopen
3. Motor – Starten

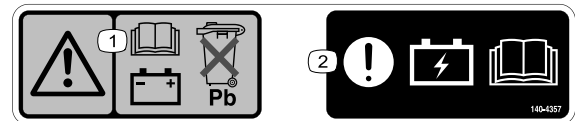


decal112-8760

112-8760

1. Gevaar op weggeslingerde objecten – Houd omstanders op een afstand.
2. Handen of voeten kunnen worden gesneden/geamputeerd door het maaimes – Blijf uit de buurt van bewegende onderdelen.

Uitsluitend model met elektrisch startsysteem



decal140-4357

140-4357

1. Waarschuwing – Lees de *Gebruikershandleiding* voor informatie over de accu, gooi de loodaccu niet weg.
2. Opgelet – Lees de *Gebruikershandleiding* voor informatie over het opladen van de accu.



decal120-9570

120-9570

1. Waarschuwing: Blijf op afstand van bewegende delen; zorg dat alle beschermende delen op hun plaats zijn.

Montage

Belangrijk: Verwijder het plastic waarmee de motor is afgedekt en eventueel ander plastic of verpakkingsmateriaal op de machine.

Belangrijk: Om te voorkomen dat de motor per ongeluk start, mag u de sleutel pas in het elektrische contact (indien de machine hiermee is uitgerust) plaatsen als u klaar bent om de motor te starten.

1

De handgreep monteren en uitklappen

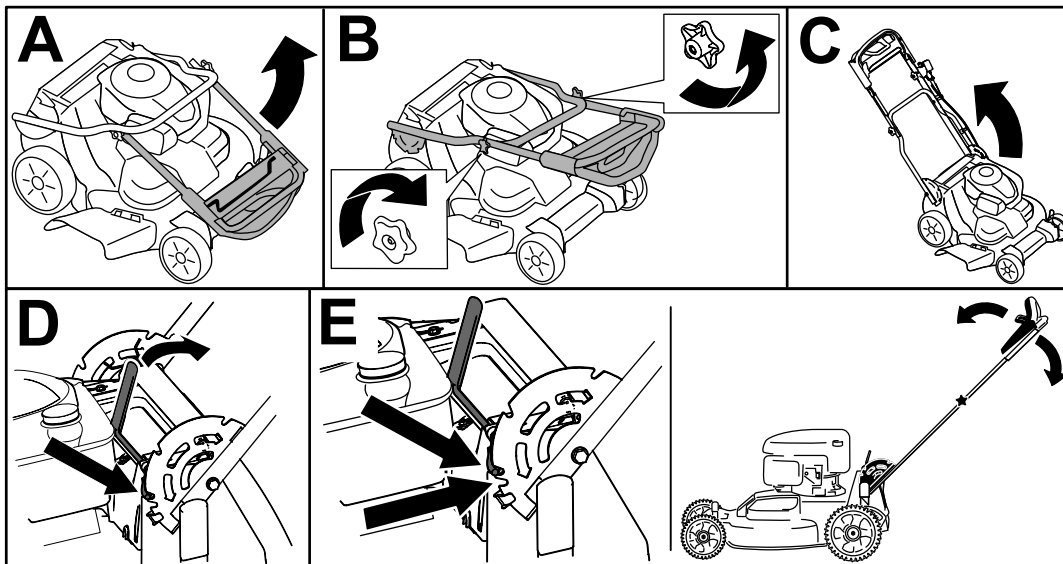
Geen onderdelen vereist

Procedure

⚠ WAARSCHUWING

Als de handgreep verkeerd wordt gemonteerd en uitgeklaapt, kunnen de kabels schade oplopen, waardoor de machine niet veilig kan worden gebruikt.

- Zorg ervoor dat u de kabels niet beschadigt als u de handgreep uitklapt.
- Indien een kabel is beschadigd, moet u contact opnemen met een erkende Service Dealer.



Figuur 3

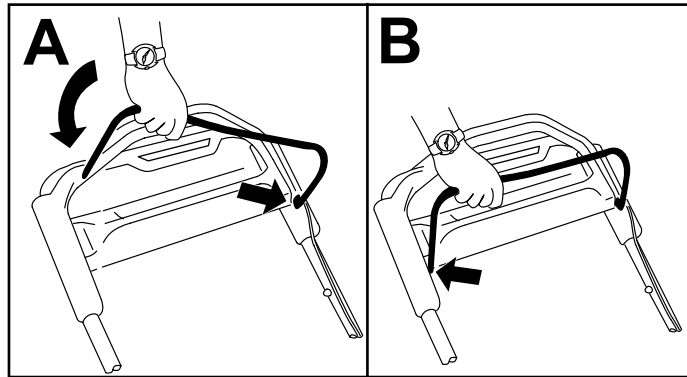
g224528

2

De bedieningsstang voor het maaimes monteren

Geen onderdelen vereist

Procedure



Figuur 4

g225133

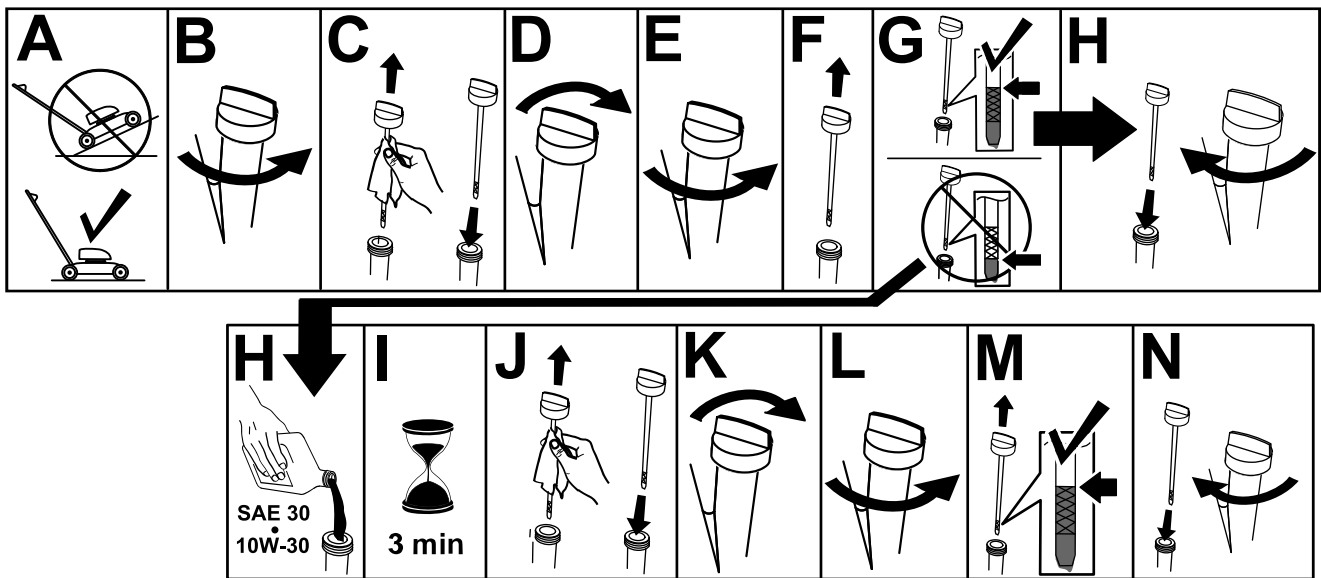
3

Olie in de motor gieten

Geen onderdelen vereist

Procedure

Belangrijk: Als het oliepeil in het motor te hoog of te laag is en u laat de motor toch draaien, kunt u deze beschadigen.



Figuur 5

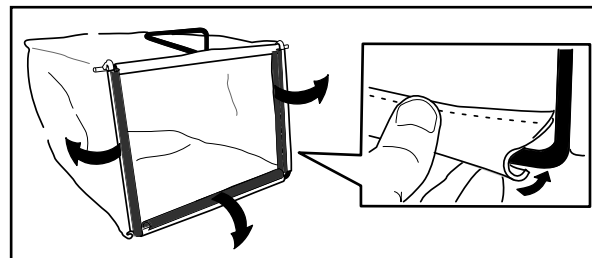
g222533

4

De grasvanger monteren

Geen onderdelen vereist

Procedure



Figuur 6

g230447

5

De accu opladen

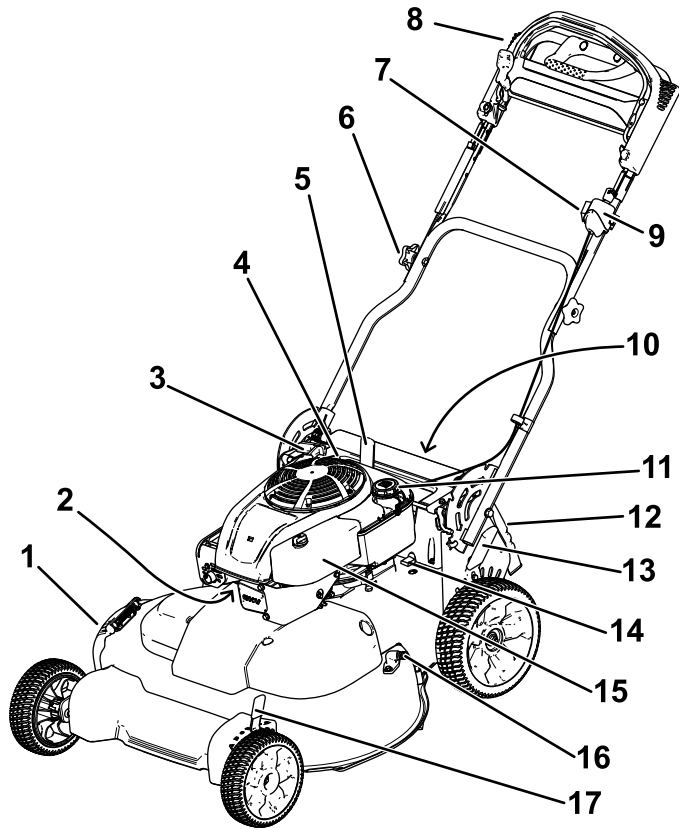
Geen onderdelen vereist

Procedure

Uitsluitend model met elektrisch startstelsel

Zie [De accu opladen \(bladz. 24\)](#).

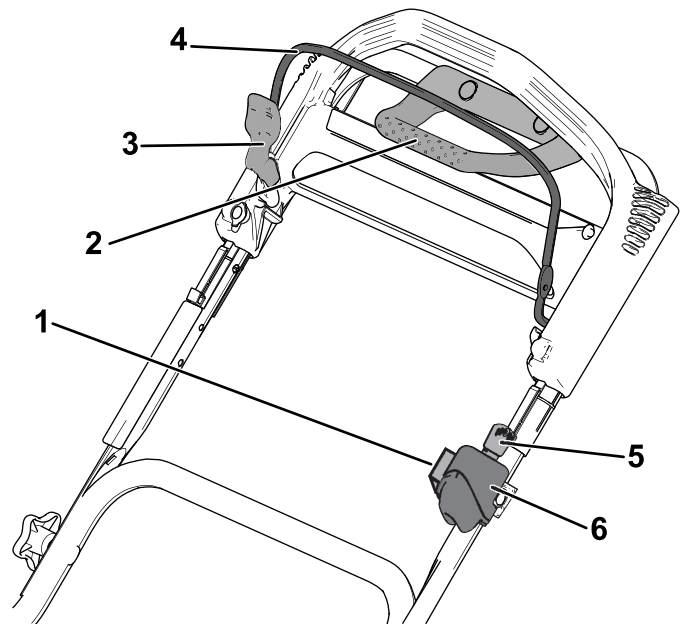
Algemeen overzicht van de machine



Figuur 7

g289302

- | | |
|------------------------------------------------------------------------------------------------------------------------------|---------------------------------------------------------------------------|
| 1. Zijafvoergeleider | 10. Accu (uitsluitend op model met elektrisch startsysteem; niet getoond) |
| 2. Bougie | 11. Dop van brandstoftank |
| 3. Handgreep van startkoord | 12. Achteruitwerpgeleider |
| 4. Vulbuis/Peilstok | 13. Achterste maaihoogtehendel |
| 5. Handgreepgrendel | 14. Zekering |
| 6. Handgreepknop (2) | 15. Luchtfilter |
| 7. Regelknop van de zelfaandrijving | 16. Wasaansluiting |
| 8. Bovenste deel van de handgreep | 17. Voorste maaihoogtehendel |
| 9. Contactschakelaar (uitsluitend op model met elektrisch startsysteem) of tuimelschakelaar (uitsluitend op standaardmodel). | |

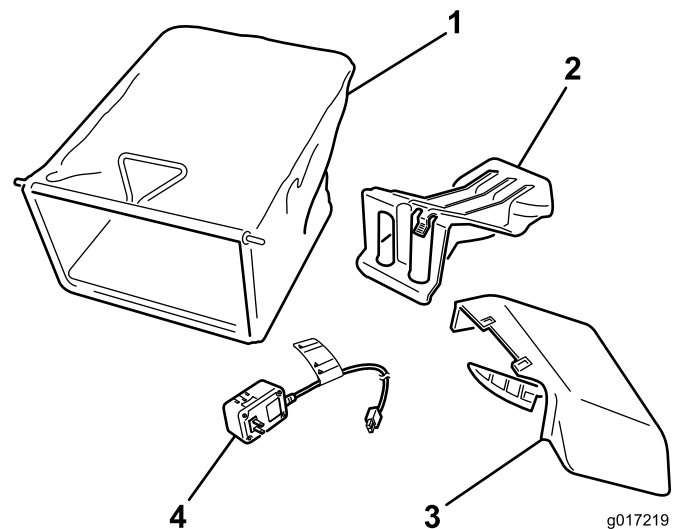


g289303

Figuur 8

Bovenste deel van de handgreep

- | | |
|--------------------------------------------------|------------------------------------------------------------------------------------------------------------------------------|
| 1. Regelknop van de zelfaandrijving | 4. Bedieningsstang voor maimes |
| 2. Handgreep tractiehulp | 5. Contactsluittje (uitsluitend op model met elektrisch startsysteem) |
| 3. Vergrendeling van bedieningsstang voor maimes | 6. Contactschakelaar (uitsluitend op model met elektrisch startsysteem) of tuimelschakelaar (uitsluitend op standaardmodel). |



g017219

g017219

Figuur 9

- | | |
|---------------------------------------------------|-----------------------------------------------------------------|
| 1. Grasvanger | 3. Zijuitwerpkanaal |
| 2. Afsluiter van achteruitwerpkanaal (gemonteerd) | 4. Acculader (uitsluitend modellen met elektrisch startsysteem) |

Specificaties

Type	Gewicht	Lengte	Breedte	Hoogte
21810	64 kg	165 cm	81 cm	114 cm
21811	66 kg			

Werktuigen/accessoires

Een selectie van door Toro goedgekeurde werktuigen en accessoires is verkrijgbaar voor gebruik met de machine om de mogelijkheden daarvan te verbeteren en uit te breiden. Neem contact op met een erkende servicedealer of een erkende Toro distributeur of bezoek www.Toro.com voor een lijst van alle goedgekeurde werktuigen en accessoires.

Om de beste prestaties te verkrijgen en ervoor te zorgen dat de veiligheidscertificaten van de machine blijven gelden, moet u ter vervanging altijd originele onderdelen en accessoires van Toro aanschaffen. Gebruik ter vervanging nooit onderdelen en accessoires van andere fabrikanten, omdat dit gevaarlijk kan zijn en de productgarantie hierdoor kan vervallen.

Gebruiksaanwijzing

Opmerking: Bepaal vanuit de normale bestuurderspositie de linker- en rechterzijde van de machine.

Voor gebruik

Veiligheid vóór gebruik

Algemene veiligheid

- Zet altijd de machine af, verwijder het contactsleuteltje (indien aanwezig), wacht totdat alle bewegende onderdelen tot stilstand zijn gekomen en laat de machine afkoelen voordat u ze afstelt, schoonmaakt, stalt, of er onderhoudswerkzaamheden aan verricht.
- Zorg ervoor dat u vertrouwd raakt met de bedieningsorganen en de veiligheidssymbolen, en weet hoe u de machine veilig kunt gebruiken.
- Controleer of de beschermplaten en veiligheidsvoorzieningen zoals grasgeleiders en/of de grasvanger op hun plaats zitten en naar behoren werken.

- Controleer de machine altijd om er zeker van te zijn dat de messen en mesbouten niet versleten of beschadigd zijn.
- Controleer het werkgebied en verwijder alle voorwerpen die het gebruik van de machine zouden kunnen hinderen of die de machine zou kunnen uitwerpen.
- Contact met een bewegend mes veroorzaakt ernstig letsel. Plaats uw vingers niet onder de maaikast als u de maaihoogte instelt.

Veilig omgaan met brandstof

- Brandstof is uiterst ontvlambaar en zeer explosief. Brand of explosie van brandstof kan brandwonden bij u of anderen en materiële schade veroorzaken.
 - Om te voorkomen dat een statische lading de brandstof tot ontbranding kan brengen, moet u het brandstofreservoir en/of de machine op de grond plaatsen voordat u de tank vult, niet op een voertuig of een ander object.
 - Vul de brandstoftank in de open lucht wanneer de motor koud is. Neem eventueel gemorste benzine op.
 - Rook niet als u omgaat met brandstof, en houd brandstof uit de buurt van open vuur of vonken.
 - Als de motor draait of heet is, mag de brandstoftankdop niet worden verwijderd en mag de tank niet met brandstof worden bijgevuld.
 - Probeer de motor niet te starten als u brandstof morst. Zorg ervoor dat er geen ontstekingsbronnen in de buurt zijn totdat de brandstofdampen volledig zijn verdwenen.
 - Bewaar brandstof in een goedgekeurd vat of blik en buiten bereik van kinderen.
- Brandstof is schadelijk of dodelijk bij inname. Langdurige blootstelling aan dampen kan leiden tot ernstig letsel en ziekte.
 - Voorkom dat u dampen lange tijd inademt.
 - Houd uw handen en gezicht uit de buurt van de vulpijp en de opening van de brandstoftank.
 - Houd brandstof uit de buurt van uw ogen en huid.

Brandstoftank vullen

- Gebruik voor de beste resultaten uitsluitend schone, verse, loodvrije benzine met een octaangetal van 87 of hoger (indelmingsmethode (R+M)/2).
- Met zuurstof verrijkte benzine met ten hoogste 10% ethanol of 15% MTBE is geschikt.
- **Geen** ethanolmengsels van benzine gebruiken (zoals E15 of E85) met meer dan 10% ethanol per volume. Dit kan leiden tot verminderde prestaties en/of motorschade die mogelijk niet gedekt wordt door de garantie.
- **Geen** benzine gebruiken die methanol bevat.
- Tijdens de winter **geen** brandstof bewaren in de brandstoftank of in brandstofblikken, tenzij een stabilizer aan de brandstof werd toegevoegd.
- **Meng** nooit olie door benzine.

Vul de brandstoftank met verse loodvrije, normale benzine van een bekend merk.

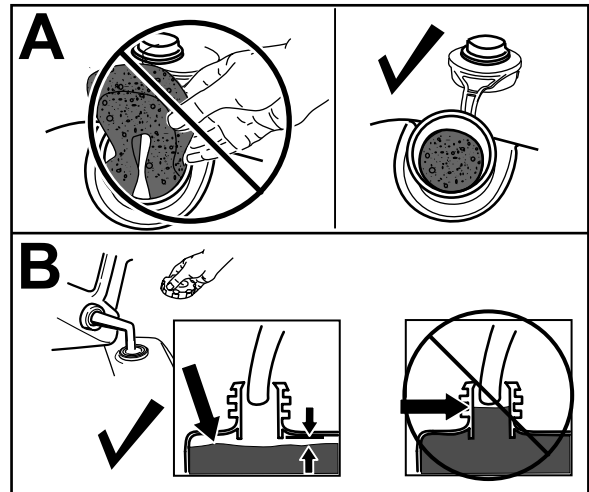
Belangrijk: Om startproblemen te verminderen, moet u stabilizer/conditioner toevoegen aan de verse brandstof volgens de voorschriften van de fabrikant van de stabilizer.

1. Reinig de omgeving van de tankdop en verwijder de dop van de tank.

Belangrijk: Deze maaier is voorzien van een speciale brandstoftank dat een

schuimelement gebruikt om het klotsen van de brandstof te voorkomen. Verwijder dit schuimelement nooit, want het verzekert dat de motor alle brandstof in de tank kan gebruiken (A in **Figuur 10**).

Opmerking: Vul de brandstoftank niet hoger dan de onderkant van de buis van de brandstoftank (B van **Figuur 10**).



Figuur 10

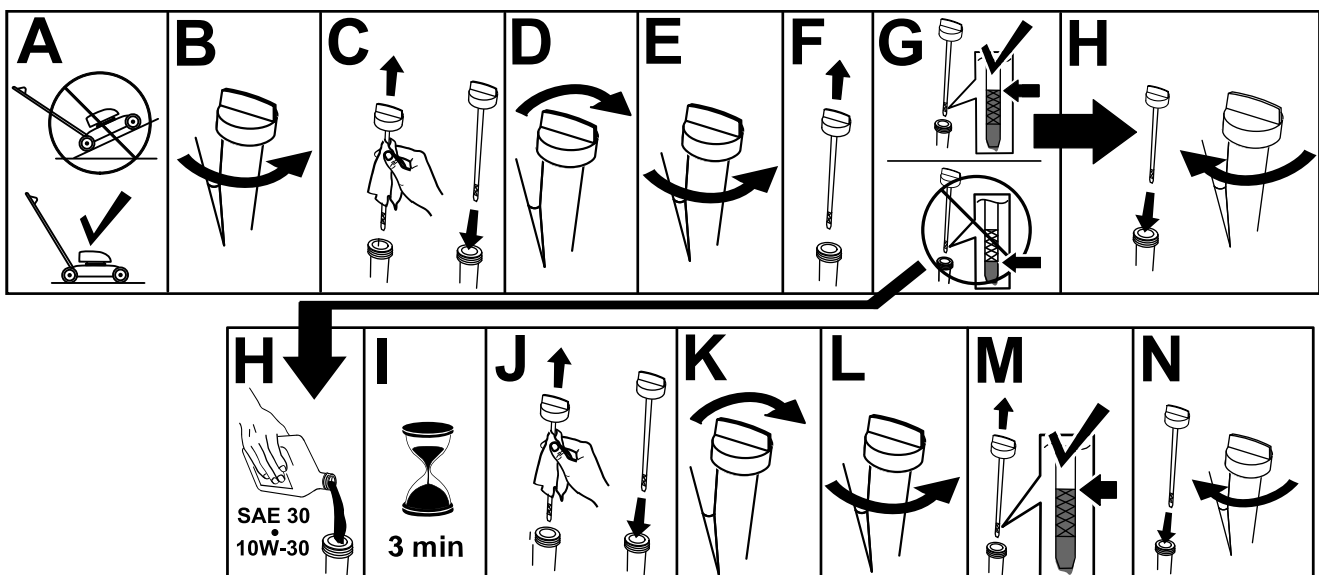
g234916

2. Draai de brandstofdop stevig vast met de hand.

Het motoroliepeil controleren

Onderhoudsinterval: Bij elk gebruik of dagelijks

Belangrijk: Als het oliepeil in het carter te hoog of te laag is en u laat de motor toch draaien, kunt u deze beschadigen.



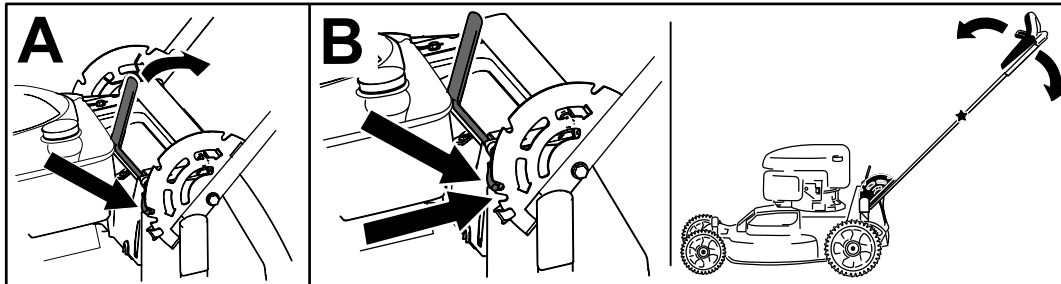
Figuur 11

g222533

Hoogte van handgreep instellen

U kunt de handgreep hoger of lager zetten in een stand die u comfortabel vindt.

Trek de handgreephendel naar achteren om de borgpennen van de handgreep los te zetten, zet de handgreep in 1 van de 4 standen, en laat de handgreephendel los om de handgreep in de gekozen stand te borgen (Figuur 12).



Figuur 12

g273086

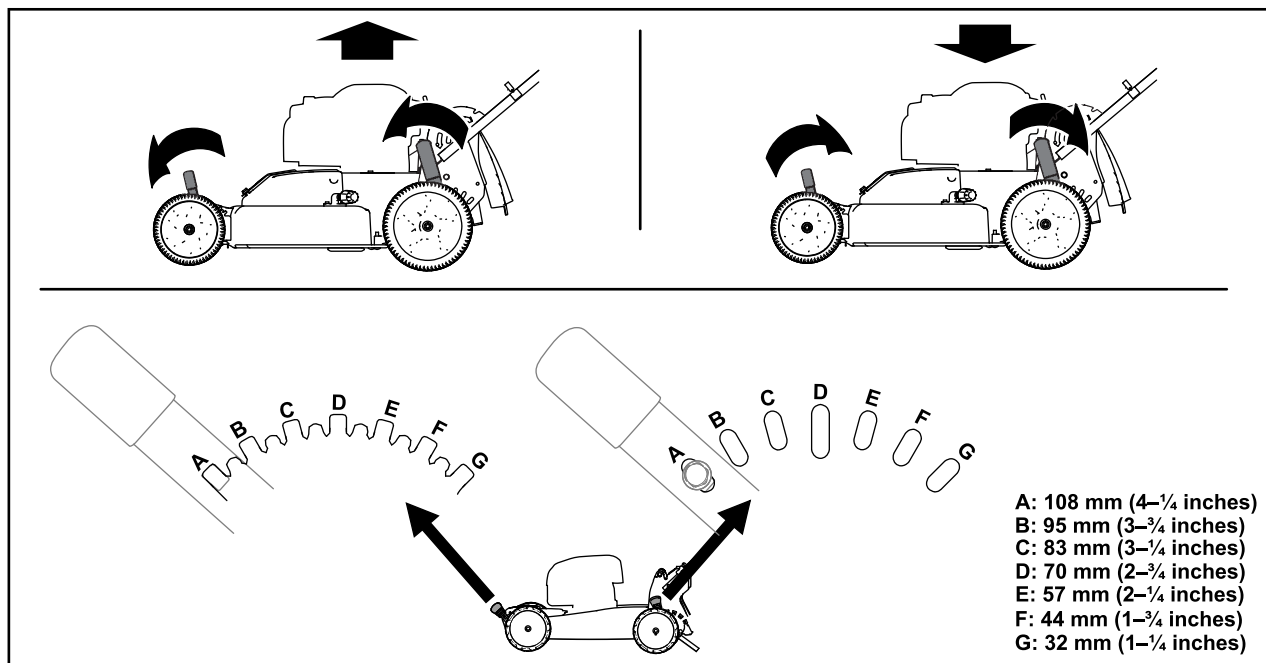
De maaihoogte instellen

⚠ VOORZICHTIG

Als de motor heeft gelopen, kan de geluiddemper heet zijn en brandwonden veroorzaken.

Blijf uit de buurt van een hete geluiddemper.

Opmerking: Om de machine hoger te zetten, moet u de voorste en achterste maaihoogtehendel naar voren bewegen; om de machine lager te zetten, moet u de maaihoogtehendels naar achteren bewegen. Stel alle wielen in op dezelfde hoogte, tenzij bijzondere omstandigheden anders vereisen, zie [Tips voor bediening en gebruik \(bladz. 18\)](#).



Figuur 13

g224172

Tijdens gebruik

Veiligheid tijdens gebruik

Algemene veiligheid

- Draag geschikte kleding en uitrusting, zoals oogbescherming, een lange broek, stevige schoenen met een gripvaste zool en gehoorbescherming. Draag lang haar niet los en draag geen losse kleding of juwelen.
- Geef uw volledige aandacht als u de machine gebruikt. Zorg ervoor dat u met niets anders bezig bent waardoor u kunt worden afgeleid, anders kan er letsel ontstaan of kan eigendom worden beschadigd.
- Gebruik de machine niet als u ziek of moe bent of onder de invloed van alcohol of drugs bent.
- Het maimes is scherp, contact met het maimes kan ernstig lichamelijk letsel veroorzaken. Zet de motor af, verwijder het contactsleuteltje (alleen modellen met elektrisch startsysteem) en wacht totdat alle bewegende onderdelen tot stilstand zijn gekomen voordat u de bestuurderspositie verlaat.
- Als u de bedieningsstang loslaat, moeten de motor en het mes binnen 3 seconden stoppen. Als dit niet het geval is, mag u de machine niet meer gebruiken en moet u contact opnemen met een erkende servicedealer.
- Houd omstanders uit de buurt van het werkgebied. Houd kleine kinderen uit de buurt van het werkgebied en plaats ze onder toezicht van een verantwoordelijke volwassene die de machine niet aan het gebruiken is. Stop de machine als iemand het werkgebied betreedt.
- Kijk altijd naar beneden en achterom voordat u achteruitrijdt.
- Gebruik de machine enkel bij een goede zichtbaarheid en in geschikte weersomstandigheden. Gebruik de machine niet als het kan bliksemen.
- Als u nat gras en natte bladeren maait, kunt u uitglijden, in aanraking komen met het mes en ernstig letsel oplopen. Gebruik de machine niet in vochtige omstandigheden.

Motor starten

Standaardmodel

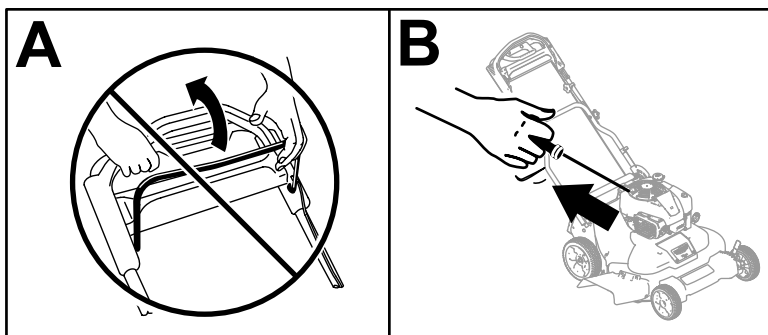
Trek het startkoord langzaam uit totdat u weerstand voelt; daarna krachtig uittrekken. Laat het koord langzaam terugkeren.

- Wees uiterst voorzichtig bij het naderen van blinde hoeken, struiken, bomen en andere objecten die uw zicht kunnen belemmeren.
- Het materiaal dat afgevoerd wordt niet naar iemand richten. Voorkom het afvoeren van materiaal tegen een muur of afscherming; het materiaal kan naar u terugketsen. Zet het mes/de messen stil bij het oversteken van grindoppervlakken.
- Kijk uit voor gaten, geulen, hobbels, stenen of andere verborgen objecten. Op oneffen terrein kunt u uw evenwicht verliezen of wegglijden.
- Als de maaimachine toch een voorwerp raakt en begint te trillen, moet u meteen de motor afzetten, de contactsleutel verwijderen (indien de machine hiermee is uitgerust), wachten totdat alle bewegende onderdelen tot stilstand zijn gekomen en de bougiekabel losmaken voordat u de maaimachine op beschadiging controleert. Voer alle noodzakelijke reparaties uit voordat u de machine weer in gebruik neemt.
- Voordat u de bedieningspositie verlaat, moet u de motor afzetten, het contactsleuteltje verwijderen (alleen modellen met elektrisch startsysteem) en wachten tot alle bewegende onderdelen tot stilstand zijn gekomen.
- Als de motor heeft gelopen, kan deze heet zijn en ernstige brandwonden veroorzaken. Blijf uit de buurt van de hete motor.
- Laat de motor enkel in goed geventileerde ruimtes draaien. Uitlaatgassen bevatten koolstofmonoxide, dat bij inademing dodelijk is.
- Controleer de onderdelen van de grasvanger en het uitwerpkanal regelmatig op slijtage en beschadiging en vervang ze indien nodig door originele Toro onderdelen.

De machine veilig gebruiken op hellingen

- Maai met de helling mee, nooit helling op en af. Ga zeer zorgvuldig te werk als u van richting verandert op een helling.
- Maai niet op al te steile hellingen. Het niet goed neerzetten van de voeten kan ongevallen veroorzaken waarbij de gebruiker wegglijdt en ten val komt.
- Maai voorzichtig in de buurt van steile hellingen, greppels of dijken.

Opmerking: Als de motor na enkele pogingen niet wil starten, moet u contact opnemen met een erkende Service Dealer.



Figuur 14

g234917

Model met elektrische starter

Start de motor van een model met elektrische starter door het contactsleuteltje of het startkoord te gebruiken.

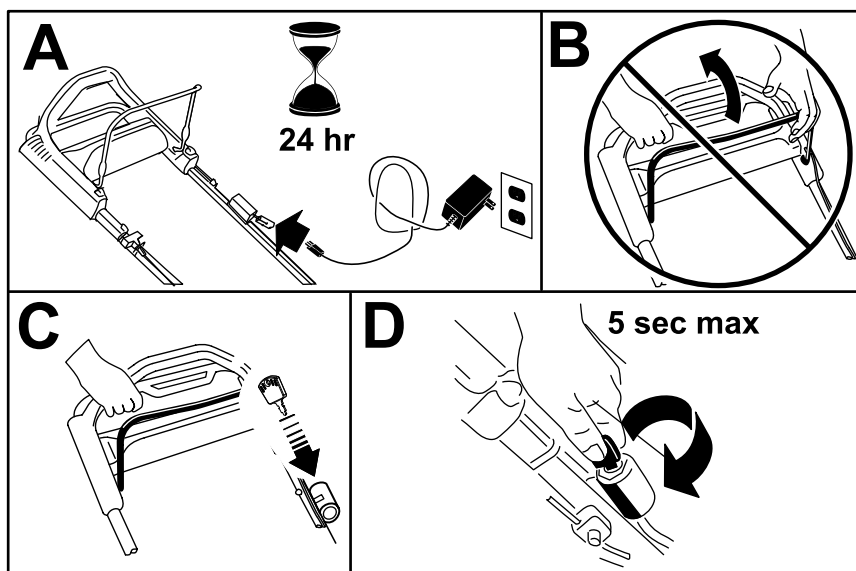
- **Contactsleuteltje:**

1. Laad de accu gedurende 24 uur op voordat u de machine de eerste keer gebruikt (A van [Figuur 15](#)).

Belangrijk: Probeer niet om de motor te starten als de mesbedieningsstang voor het maimes ingeschakeld is; dit kan de zekering laten springen (B van [Figuur 15](#)).

2. Steek het contactsleuteltje in het contact (C van [Figuur 15](#)).
3. Hou het contactsleuteltje in de stand START en laat de sleutel los zodra de motor start (D van [Figuur 15](#)).

Opmerking: Houd het contactsleuteltje niet langer dan 5 seconden in de startstand. Anders kan de startmotor doorbranden.



Figuur 15

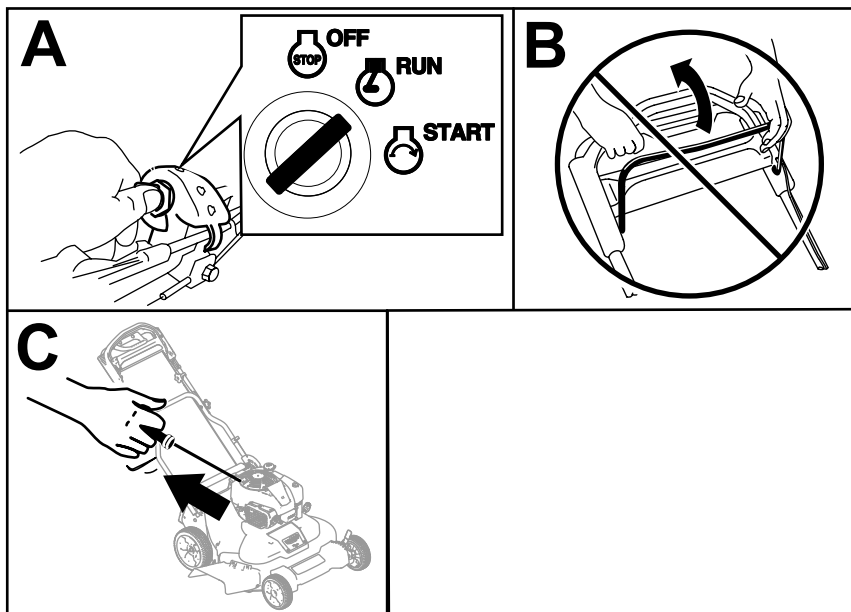
g234919

- **Startkoord:**

1. Draai het contactsleuteltje naar de stand LOPEN (A van [Figuur 16](#)).

Belangrijk: Probeer niet om de motor te starten als de mesbedieningsstang voor het maimes ingeschakeld is; dit kan de zekering laten springen (B van [Figuur 16](#)).

2. Trek het startkoord langzaam naar achteren totdat u weerstand voelt; daarna krachtig uittrekken (C van [Figuur 16](#)). Laat het koord langzaam terugkeren.



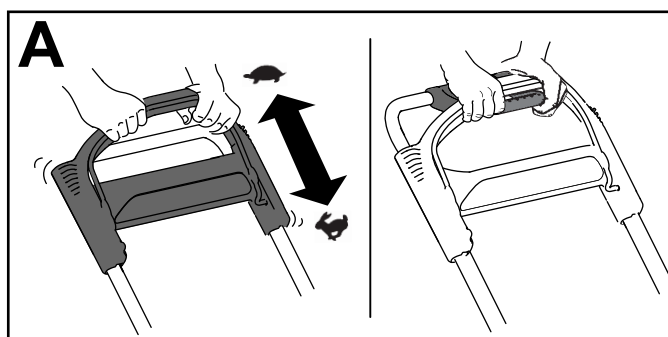
Figuur 16

g234918

De zelfaandrijving gebruiken

Om de zelfaandrijving te activeren, loopt u gewoon vooruit. Neem het bovenste deel van de handgreep vast en houd uw ellebogen naast uw lichaam; de maaimachine richt zich automatisch naar uw loopsnelheid ([Figuur 17](#)).

Opmerking: U kunt de machine laten rijden met de maimes ingeschakeld of uitgeschakeld.



Figuur 17

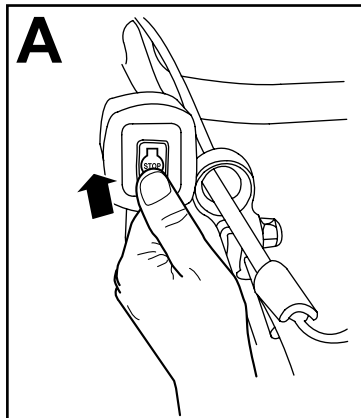
g244853

Opmerking: Gebruik de handgreep voor tractiehulp in situaties waar u meer controle nodig hebt dan alleen de zelfaandrijving u kan geven.

De motor afzetten

Standaardmodel

Druk de tuimelschakelaar (Figuur 18) in de stand STOP tot de motor stopt.



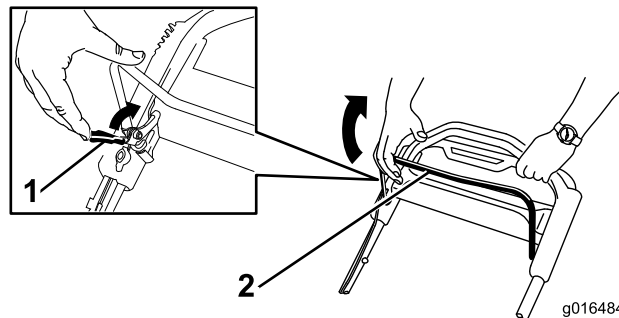
Figuur 18

g234921

De maaimessen inschakelen

Als u de motor start, mogen de messen niet draaien. U moet de maaimessen in werking stellen om te maaien.

1. Trek de vergrendeling van de mesbedieningsstang achteruit naar de mesbedieningsstang (Figuur 20).



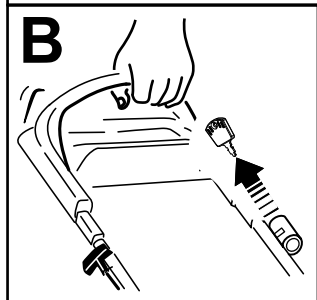
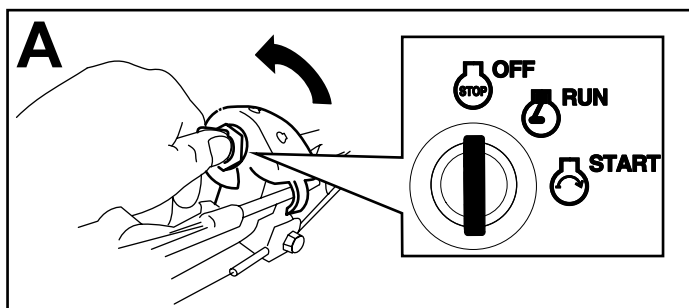
Figuur 20

g016484

g016484

Model met elektrische starter

1. Draai het contactsleuteltje naar de stand UIT (A van Figuur 19).
2. Als de motor gestopt is, verwijdert u het contactsleuteltje. Neem het mee als u de machine achterlaat (B van Figuur 19).

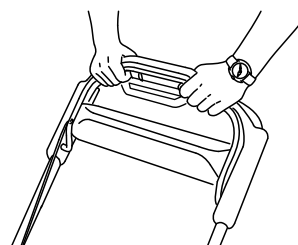


Figuur 19

g234920

1. Vergrendeling van bedieningsstang voor maimes
2. Bedieningsstang voor maimes

2. Trek **langzaam** de mesbedieningsstang achteruit naar de handgreep (Figuur 20).
3. Houd de bedieningsstang van het maimes tegen de handgreep (Figuur 21).

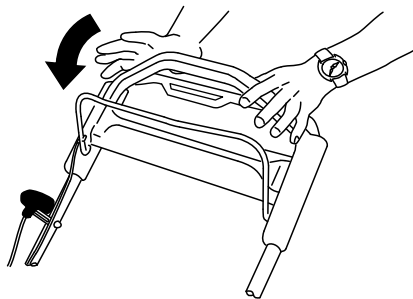


Figuur 21

g193334

De maaimessen uitschakelen

Laat de bedieningsstang van het maimes los (Figuur 22).



Figuur 22

g193345

Belangrijk: Als u de bedieningsstang loslaat, moeten de messen binnen 3 seconden tot stilstand komen. Als dit niet gebeurt, mag u de machine niet verder gebruiken en moet u contact opnemen met een erkende servicedealer.

De werking van het stopsysteem van het maimes controleren

Onderhoudsinterval: Bij elk gebruik of dagelijks

Controleer of de messen stoppen binnen de 3 seconden nadat u de mesbedieningsstang hebt losgelaten.

De grasvanger gebruiken

U kunt de grasvanger gebruiken om het stopsysteem van het maimes te controleren.

1. Verwijder de afsluiter van de achterafvoer.
2. Plaats de lege grasvanger op de maaimachine.
3. Start de motor.
4. Schakel de messen in.

Opmerking: De grasvanger moet gaan opzwellen. Dit betekent dat de messen ingeschakeld zijn en draaien.

5. Hou de grasvanger in het oog en laat de mesbedieningsstang los.

Opmerking: Als de grasvanger niet binnen de 3 seconden leegloopt, is het stopsysteem van het maimes mogelijk beschadigd. Als u hier niets aan doet, kan het onveilig worden om de machine te gebruiken. Neem contact

op met een erkende Service Dealer om uw maaimachine te laten inspecteren en repareren.

6. Zet de motor uit en wacht totdat alle bewegende onderdelen tot stilstand gekomen zijn.

De grasvanger niet gebruiken

1. Plaats de maaimachine op een verhard oppervlak en uit de wind.
2. Stel alle 4 wielen in op de maaistand van 89 mm.
3. Neem een stuk krant en maak hiervan een prop die onder het maaidek past (met een doorsnede van ongeveer 75 mm).
4. Plaats de prop krantenpapier 13 cm vóór de maaimachine.
5. Start de motor.
6. Schakel de messen in.
7. Laat de mesbedieningsstang los en wacht 3 seconden.
8. Duw na 3 tellen de machine in een snelle beweging vooruit over de prop.
9. Zet de motor uit en wacht totdat alle bewegende onderdelen tot stilstand gekomen zijn.
10. Ga naar de voorzijde van de maaimachine en controleer de prop krantenpapier.

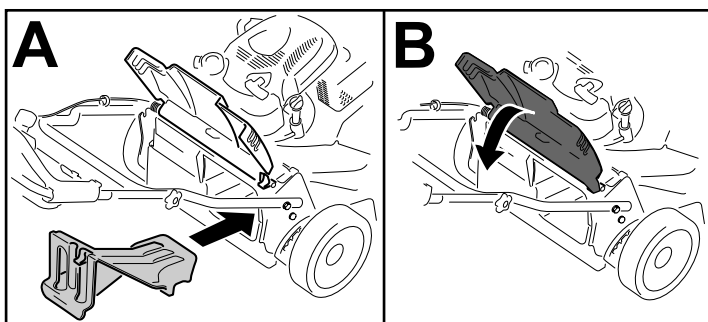
Opmerking: Als de prop niet onder de maaier is gegaan, herhaalt u stappen 4 tot en met 10.

11. Als de prop uit elkaar gevallen of versnipperd is, duidt dit erop dat de messen niet op de juiste manier zijn gestopt. Dit betekent dat u de machine niet veilig kunt gebruiken. Neem contact op met een erkende servicedealer.

Maaisel recyclen

Als de machine wordt geleverd, is deze gereed om maaisel en bladafval naar het gazon te recyclen. De machine voorbereiden om te recyclen:

- Als de maaier voorzien is van het zijuitworpkanaal, verwijder dit dan en sluit de klep van de zijuitworp; zie [Het zijuitworpkanaal verwijderen \(bladz. 18\)](#).
- Verwijder de grasvanger als deze aan de machine is bevestigd; zie [De grasvanger verwijderen \(bladz. 17\)](#).
- Als de afsluiter van de achteruitworp niet aan de machine is bevestigd, neem deze dan vast bij de handgreep, til de klep aan de achterzijde op, en steek de afsluiter in het achteruitworpkanaal tot de vergrendeling op zijn plaats valt; zie [Figuur 23](#).



Figuur 23

g234924

⚠ WAARSCHUWING

Als u de machine maaisel laat recycleren zonder de afsluiter, kunnen er voorwerpen uitgeworpen worden in uw richting of die van omstanders. Daarnaast kunt u ook in contact komen met de messen. Uitgeworpen objecten of contact met de messen kan leiden tot ernstig letsel of de dood.

Controleer of de afsluiter van de achterafvoer is gemonteerd alvorens het maaisel te recycleren. Schakel nooit de messen in wanneer noch de afsluiter van de achterafvoer noch de grasvanger op de machine gemonteerd is.

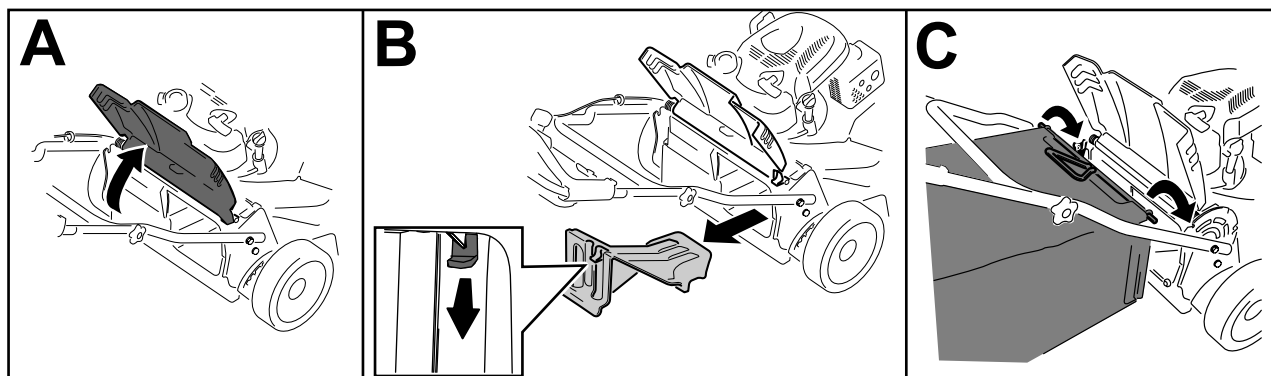
Het maaisel opvangen

Gebruik de grasvanger als u maaisel en bladafval wilt verzamelen.

Als het zijuitwerpkanaal op de maaier is bevestigd, moet u dit verwijderen voordat u het maaisel gaat opvangen; zie [Het zijuitwerpkanaal verwijderen](#) (bladz. 18).

Montage van de grasvanger

1. Hou de achterklep omhoog (A van [Figuur 24](#)).
2. Verwijder de afsluiter van de achterafvoer door de vergrendeling met uw duim naar beneden te drukken en de afsluiter uit de machine te trekken (B van [Figuur 24](#)).
3. Breng de grasvangerstang aan in de inkepingen onderaan de handgreep en schud de grasvanger heen en weer om zeker te zijn dat de stang helemaal in de beide inkepingen zit (C van [Figuur 24](#)).
4. Laat de achterklep zakken tot deze op de grasvanger ligt.



Figuur 24

g244854

De grasvanger verwijderen

Om de zak te verwijderen, voert u de stappen in [Montage van de grasvanger](#) (bladz. 17) in omgekeerde volgorde uit.

Het maaisel zijwaarts afvoeren

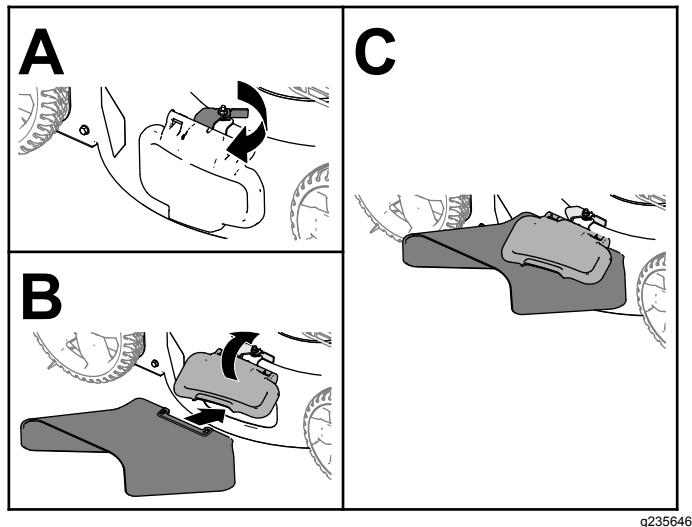
Gebruik de zijafvoer als u zeer hoog gras maait.

Als de grasvanger op de machine zit, moet u die verwijderen en de afsluiter van de achteruitworp plaatsen (zie [De grasvanger verwijderen](#) (bladz. 17)) vóór u het maaisel zijwaarts afvoert.

Belangrijk: Controleer of de afsluiter van de achterafvoer is gemonteerd alvorens het maaisel te recycleren (Figuur 23).

Zijuitwerpkanal monteren

Ontgrendel de afsluiter en breng deze omhoog; plaats het zijuitwerpkanal (Figuur 25).



Figuur 25

g235646

Het zijuitwerpkanal verwijderen

Om het zijuitwerpkanal te verwijderen, brengt u de afsluiter omhoog, verwijdert u het zijuitwerpkanal en brengt u de afsluiter weer omlaag tot deze veilig sluit.

Tips voor bediening en gebruik

Algemene maaitips

- Controleer het werkgebied en verwijder alle voorwerpen die de machine zou kunnen uitwerpen.
- Zorg ervoor dat de messen geen vaste voorwerpen raken. Maai nooit met opzet over voorwerpen.
- Als de maaimachine toch een voorwerp raakt en begint te trillen, moet u meteen de motor afzetten, de contactsleutel verwijderen (indien de machine hiermee is uitgerust) de bougiekabel losmaken en de maaimachine op beschadiging controleren.
- De beste resultaten krijgt u door nieuwe messen te monteren voordat het maaiseizoen begint.
- Vervang indien nodig de maaimessen door Toro-messen.

Gras maaien

- U moet telkens niet meer dan ongeveer één derde van de grassprietten afmaaien. Maai niet met een stand lager dan 51 mm, tenzij de grasmat dun is, of als het laat in het najaar is wanneer het gras langzamer begint te groeien.
- Als u gras wilt maaien dat langer dan 15 cm is, moet u maaien op de maximale maaihoogte en met een langzamere loopsnelheid. Vervolgens gaat u maaien op een lagere maaihoogte om het gazon een zo fraai mogelijk uiterlijk te geven. Als het gras te hoog is, kan de machine verstopt raken en de motor afslaan.
- Nat gras en natte bladeren gaan aancoeken, waardoor de maaimachine verstopt kan raken of de motor kan afslaan. Gebruik de machine niet in vochtige omstandigheden.
- Wees bedacht op het risico van brand in zeer droge omstandigheden; neem alle plaatselijke brandwaarschuwingen in acht en houd de machine vrij van droog gras en bladafval.
- Maai steeds in wisselende richtingen. Hierdoor wordt het maaisel beter over het gazon verstrooid, zodat het gazon gelijkmatig wordt bemest.
- Als u met het uiterlijk van het voltooide gazon niet tevreden bent, probeer dan een of meer van de volgende stappen:
 - Vervang de maaimessen of laat ze slijpen.
 - Loop langzamer tijdens het maaien.
 - Stel de maaimachine in op een hogere maaihoogte.
 - Maai het gras vaker.
 - Laat de maaibanen overlappen in plaats van steeds een volledig nieuwe baan te maaien.

Bladeren fijnmaken

- Na het maaien moet altijd 50% van het gazon zichtbaar blijven door de bladerlaag. Dit kan een of meerdere rondgangen over de bladeren vereisen.
- Als er een laag bladeren van meer dan 13 cm op het gazon ligt, moet u eerst met een hogere maaihoogte werken en vervolgens nogmaals maaien op de gewenste hoogte.
- Als de maaimachine de bladeren niet fijn genoeg maakt, is het beter om wat langzamer te maaien.

Na gebruik

Veiligheid na het werk

Algemene veiligheid

- Zet altijd de machine af, verwijder het contactsleuteltje (indien aanwezig), wacht totdat alle bewegende onderdelen tot stilstand zijn gekomen en laat de machine afkoelen voordat u ze afstelt, schoonmaakt, stalt, of er onderhoudswerkzaamheden aan verricht.
- Verwijder gras en vuil van de machine om brand te voorkomen. Neem gemorste olie of brandstof op.
- Bewaar de machine of brandstofhouder nooit bij een open vlam, vonk of waakvlam bij bv. een geiser of andere apparaten.

De machine veilig vervoeren

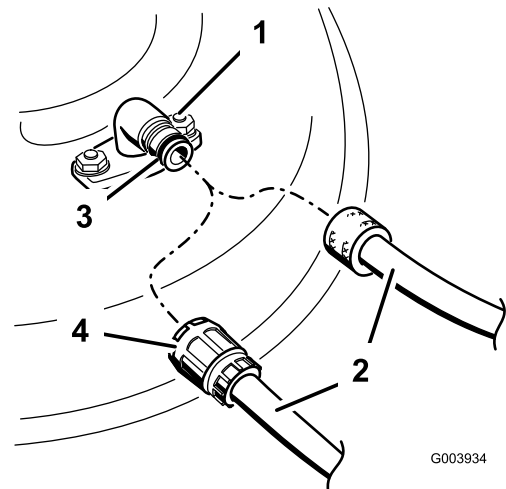
- Verwijder de contactsleutel (indien de machine hiermee is uitgerust) voordat u de machine voor transport inlaadt.
- Wees voorzichtig bij het in- of uitladen van de machine.
- Zet de machine vast zodat ze niet kan gaan rollen.

De onderkant van de machine reinigen

Onderhoudsinterval: Bij elk gebruik of dagelijks

1. Plaats de machine op een horizontaal oppervlak.
2. Zet de motor af en wacht totdat alle bewegende onderdelen tot stilstand zijn gekomen voordat u de bestuurderspositie verlaat.
3. Zet de machine in zijn laagste maaistand. Zie [De maaihogte instellen \(bladz. 11\)](#).
4. Bevestig een slang aan de wasaansluiting en zet de kraan stevig open ([Figuur 26](#)).

Opmerking: Smeer vaseline op de O-ring van de wasaansluiting om de koppeling gemakkelijker te bevestigen en de O-ring te beschermen.



Figuur 26

- | | |
|-------------------|------------------|
| 1. Wasaansluiting | 3. O-ring |
| 2. Slang | 4. Snelkoppeling |

5. Start de motor, schakel de maaikoppelingshendel in en laat de machine 1 tot 3 minuten lopen met draaiend mes.
6. Schakel de maaikoppelingshendel uit, stop de motor en wacht totdat alle bewegende onderdelen tot stilstand gekomen zijn.
7. Draai de kraan dicht en maak de snelkoppeling los van de wasaansluiting.

Opmerking: Als de machine na één wasbeurt niet schoon is, moet u deze 30 minuten laten inweken. Herhaal daarna deze procedure.

8. Laat de machine opnieuw één tot drie minuten lopen met de messen ingeschakeld om het overtollige water te verwijderen.

⚠ WAARSCHUWING

Een gebroken of ontbrekende wasaansluiting kan voorwerpen uitwerpen of contact met het maimes veroorzaken, waardoor u en anderen letsel kunnen oplopen. Contact met een maimes of uitgeworpen voorwerpen kan ernstig lichamelijk of dodelijk letsel veroorzaken.

- Een gebroken of ontbrekende wasaansluiting moet direct worden vervangen, voordat u de machine opnieuw gebruikt.
- Steek nooit uw handen of voeten onder de machine of door openingen in de machine.

Onderhoud

Aanbevolen onderhoudsschema

Onderhoudsinterval	Onderhoudsprocedure
Na de eerste 5 bedrijfsuren	<ul style="list-style-type: none">• Ververs de motorolie.
Bij elk gebruik of dagelijks	<ul style="list-style-type: none">• Controleer het oliepeil en vul indien nodig olie bij.• Werking van de mesremkoppeling controleren.• Verwijder maaisel en vuil van de onderkant van de machine.• Controleer het luchtfilter en reinig of vervang het indien nodig.• Controleer de maaimessen.
Om de 25 bedrijfsuren	<ul style="list-style-type: none">• Laad de accu gedurende 24 uur op (uitsluitend model met elektrisch startsysteem).
Om de 50 bedrijfsuren	<ul style="list-style-type: none">• Reiniging van het luchtfilter; reiniging is vaker nodig bij gebruik onder stoffige omstandigheden.• Ververs de motorolie.• Onderhoud het mesaandrijfsysteem.
Om de 200 bedrijfsuren	<ul style="list-style-type: none">• Vervanging van het luchtfilter; vervanging is vaker nodig bij gebruik onder stoffige omstandigheden.
Jaarlijks	<ul style="list-style-type: none">• Onderhoud van het luchtfilter; onderhoud is vaker nodig bij gebruik onder stoffige omstandigheden.• Ververs de motorolie.• Onderhoud van de maaimessen.
Jaarlijks of vóór stalling	<ul style="list-style-type: none">• Laad de accu op (uitsluitend model met elektrisch startsysteem).• Laat de benzine uit de brandstoftank lopen voordat u vereiste reparaties uitvoert of voor de jaarlijkse stalling.

Belangrijk: Raadpleeg de gebruikershandleiding van de motor voor verdere onderhoudsprocedures.

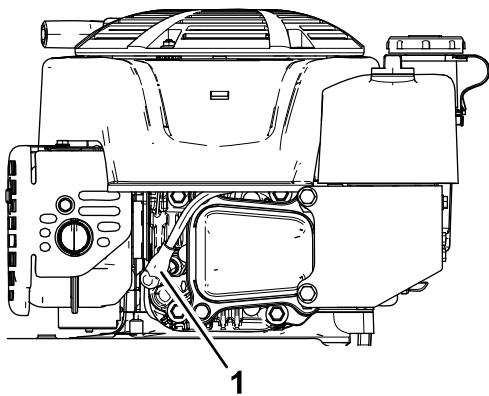
De machine veilig onderhouden

- Trek de bougiekabel los van de bougie en verwijder het contactsleuteltje (alleen modellen met elektrisch startsysteem) voordat u onderhoudswerkzaamheden uitvoert.
- Draag handschoenen en oogbescherming wanneer u servicewerkzaamheden verricht.
- Het maimes is scherp, contact met het maimes kan ernstig lichamelijk letsel veroorzaken. Gebruik handschoenen als u het mes monteert. Repareer of wijzig het mes/de messen niet.
- Knoei nooit met de veiligheidsvoorzieningen. Controleer regelmatig of deze goed werken.
- Als u de machine kantelt, kan er benzine uit de tank lekken. Benzine is ontvlambaar en explosief en kan lichamelijk letsel veroorzaken. Laat de motor drooglopen of pomp de brandstof met een handpomp uit de tank. Gebruik nooit een hevel.
- Om veilige en optimale prestaties van de machine te verkrijgen, moet u ter vervanging alleen originele Toro onderdelen en accessoires gebruiken. Gebruik ter vervanging nooit

onderdelen en accessoires van andere fabrikanten, omdat dit gevaarlijk kan zijn en de productgarantie hierdoor kan vervallen.

Vorbereidingen voor onderhoudswerkzaamheden

1. Zet de motor af, verwijder de contactsleutel (indien de machine hiermee is uitgerust) en wacht totdat alle bewegende onderdelen tot stilstand zijn gekomen.
2. Maak de bougiekabel los van de bougie (Figuur 27).



Figuur 27

g191983

1. Bougiekabel

3. Nadat u de onderhoudswerkzaamheden hebt uitgevoerd, moet u de kabel weer aansluiten op de bougie.

Belangrijk: Voordat u de machine kantelt om olie te verversen of de messen te vervangen, moet u de machine gebruiken totdat de benzinetank leeg is. Als u de machine moet kantelen voordat de benzinetank leeg is, dient u de benzine met een handpomp uit de tank te pompen. Kantel de maaimachine altijd op de zijkant, met de peilstok omlaag.

⚠ WAARSCHUWING

Als u de machine kantelt, kan er benzine uit de tank lekken. Brandstof is ontvlambaar en explosief en kan lichamelijk letsel veroorzaken.

Laat de motor drooglopen of pomp de brandstof met een handpomp uit de tank. Gebruik nooit een hevel.

Onderhoud van het luchtfilter

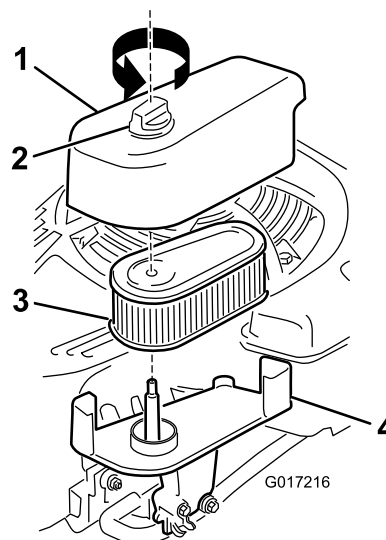
Onderhoudsinterval: Bij elk gebruik of dagelijks—Controleer het luchtfilter en reinig of vervang het indien nodig.

Om de 50 bedrijfsuren—Reiniging van het luchtfilter; reiniging is vaker nodig bij gebruik onder stoffige omstandigheden.

Jaarlijks—Onderhoud van het luchtfilter; onderhoud is vaker nodig bij gebruik onder stoffige omstandigheden.

Om de 200 bedrijfsuren—Vervanging van het luchtfilter; vervanging is vaker nodig bij gebruik onder stoffige omstandigheden.

1. Zet de bevestiging los en verwijder het deksel van het luchtfilter (Figuur 28).



Figuur 28

g017216

1. Deksel
2. Bevestiging
3. Filter
4. Basis

2. Verwijder en controleer het filter.

- Als het filter is beschadigd of nat is van olie of brandstof, moet u het vervangen.
- Als het filter vuil is, tik het dan enkele keren tegen een hard oppervlak of blaas het vuil van de binnenkant van het filter naar buiten met perslucht met een maximale druk van 2,07 bar.

Opmerking: Vuil niet langs de buitenkant van het filter borstelen of blazen; dit drijft het vuil in de vezels.

3. Maak de behuizing en het deksel van het luchtfilter schoon met een vochtige doek. **Zorg dat er geen vuil in de buurt van de luchtopening komt.**
4. Plaats het filter op de basis.
5. Plaats het deksel en zet de bevestiging stevig vast.

Motorolie verversen

Onderhoudsinterval: Na de eerste 5 bedrijfsuren

Om de 50 bedrijfsuren

Jaarlijks

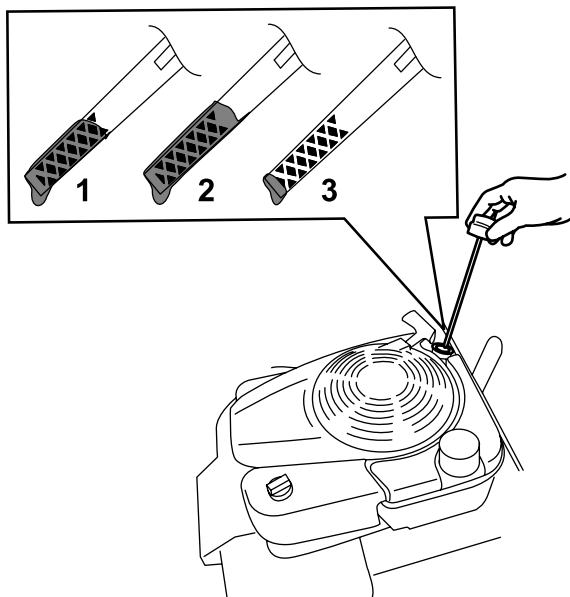
Opmerking: Voordat u de olie ververset, moet u de motor enkele minuten laten lopen zodat de olie warm wordt. Warme olie stroomt beter en voert verontreinigingen beter mee.

Motorolietype

Motoroliecapaciteit	0,53 l*
Olieviscositeit	SAE 30 of SAE 10W-30 reinigingsolie
API-onderhoudsclassificatie	SJ of hoger

*Er is olie achtergebleven in het carter nadat u de olie aftapt. Giet niet de hele inhoud olie in het carter. Vul het carter met olie zoals uitgelegd in de volgende stappen.

1. Plaats de machine op een horizontaal oppervlak.
2. Zie [Vorbereidingen voor onderhoudswerkzaamheden](#) (blad. 21).
3. Verwijder de peilstok door de dop linksom te draaien en eruit te trekken ([Figuur 29](#)).

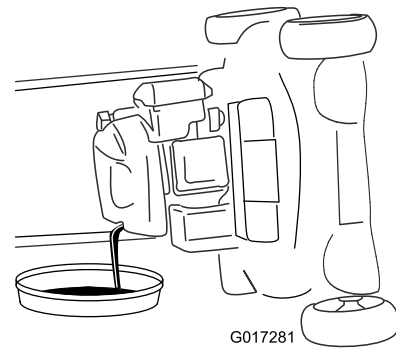


Figuur 29

g193261

1. Vol
2. Hoog
3. Laag

4. Kantel de machine op de zijkant (met het luchtfilter naar boven) om de oude olie uit de vulbuis te laten lopen ([Figuur 30](#)).



Figuur 30

g017281

5. Nadat de gebruikte olie is afgetapt, zet u de maaimachine terug in de werkstand.
6. Giet langzaam ongeveer $\frac{3}{4}$ van de inhoud van het oliecarter in de vulbuis.
7. Wacht 3 minuten tot de olie in de motor gezakt is.
8. Veeg de peilstok met een schone doek schoon.
9. Steek de peilstok volledig in de vulbuis en verwijder de peilstok.
10. Lees het oliepeil af van de peilstok ([Figuur 29](#)).
 - Als het peil op de peilstok te laag staat, giet dan voorzichtig een kleine hoeveelheid olie in de vulbuis, wacht 3 minuten en herhaal stappen 8 tot en met 10 totdat de peilstok het juiste peil aangeeft.
 - Als het oliepeil op de peilstok te hoog is, tapt u de overtollige olie af tot de peilstok het juiste oliepeil aangeeft.
11. Plaats de peilstok goed in de vulbuis.
12. Recycleer de gebruikte olie op de juiste wijze.

De accu opladen

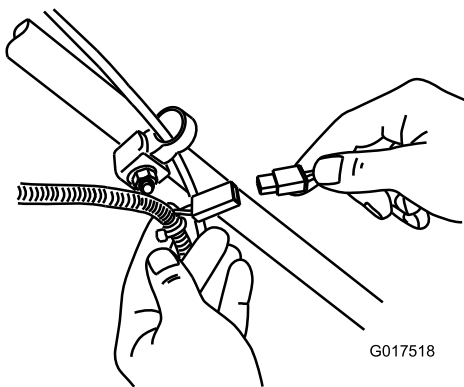
Uitsluitend model met elektrisch startstelsysteem

Onderhoudsinterval: Om de 25 bedrijfsuren
Jaarlijks of vóór stalling

Laad de accu voor het eerste gebruik gedurende 24 uur op, doe dit vervolgens elke maand (steeds na 25 keer starten) of wanneer dit nodig is. Gebruik de acculader altijd op een beschutte plaats en laad de accu op bij kamertemperatuur (ongeveer 22 °C) indien dit mogelijk is.

Opmerking: De machine is niet uitgerust met een laadsysteem met wisselstroomdynamo.

1. Sluit de acculader aan op de kabelboom van de machine die zich onder het contactsleuteltje bevindt (Figuur 31).



Figuur 31

g017518

2. Sluit de acculader aan op een stopcontact.

Opmerking: Als de accu niet meer kan worden opgeladen, moet u deze afvoeren of verwerken volgens de plaatselijk geldende voorschriften.

Opmerking: De lader is mogelijk voorzien van een LED-display met twee kleuren waarmee de volgende laadstatus kan worden weergegeven:

- Een rood lampje geeft aan dat de lader de accu laadt.
- Een groen lampje geeft aan dat de accu volledig is opgeladen of is losgekoppeld van de accu.
- Een knipperend licht dat wisselt tussen rood en groen geeft aan dat de accu bijna volledig is opgeladen. Het duurt hierna nog maar enkele minuten tot de accu volledig is opgeladen.

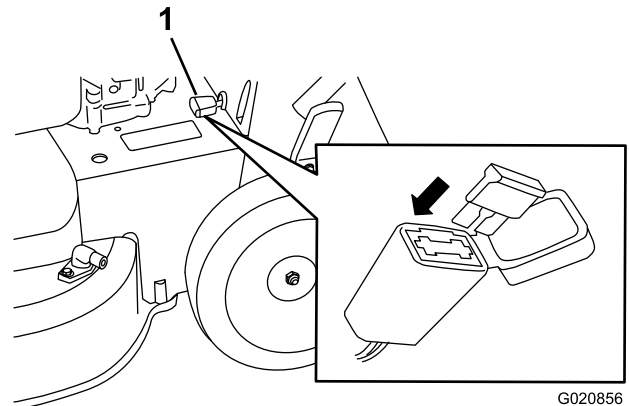
De zekering vervangen

Uitsluitend model met elektrisch startstelsysteem

Als de accu niet oplaadt of de motor niet gaat lopen met behulp van de elektrische starter, is de zekering waarschijnlijk doorgebrand. Vervang door een nieuwe 40 A insteekzekering.

Belangrijk: U kunt de machine pas starten met het elektrische startstelsysteem of de accu opladen als een zekering is gemonteerd die werkt.

1. Open de afgedichte zekeringhouder en vervang de zekering (Figuur 32).



Figuur 32

g020856

1. Zekeringhouder

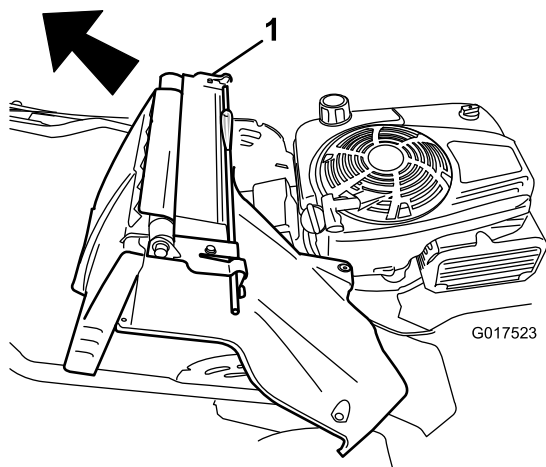
2. Sluit het deksel van de zekeringhouder en zorg ervoor dat het goed afgedicht is.

De accu vervangen

Uitsluitend model met elektrisch startstelsysteem

De oude accu verwijderen

1. Neem contact op met een erkende servicedealer om een vervangaccu te bestellen.
2. Verwijder het riemdeksel; zie stap 1 van [Onderhoud van het mesaandrijfsysteem \(bladz. 26\)](#).
3. Verwijder de afsluiter van het achteruitwerpkanal.
4. Zet de handgreep rechtop.
5. Verwijder de 4 kleine bouten waarmee de achterklep en de handgreephendel bevestigd zijn.
6. Vouw de handgreep helemaal naar voren.
7. Verwijder de achterklep en de handgreephendel (Figuur 33).



Figuur 33

1. Achterklep en handgreep

8. Verwijder het deksel van de accu.
9. Maak de kabels los van de accu.
10. Verwijder en recycle de accu.

Opmerking: Verwerk de accu volgens de plaatselijke voorschriften.

De nieuwe accu monteren

1. Maak het accucompartiment van de maaierbehuizing schoon.
2. Zet de nieuwe accu op zijn plaats op de maaierbehuizing.
3. Sluit de kabels aan op de nieuwe accu.

Opmerking: Zorg ervoor dat u de zwarte (negatieve) kabel aansluit op de minpool (-) en de rode (positieve) kabel op de pluspool (+).
4. Breng het deksel van de accu aan.

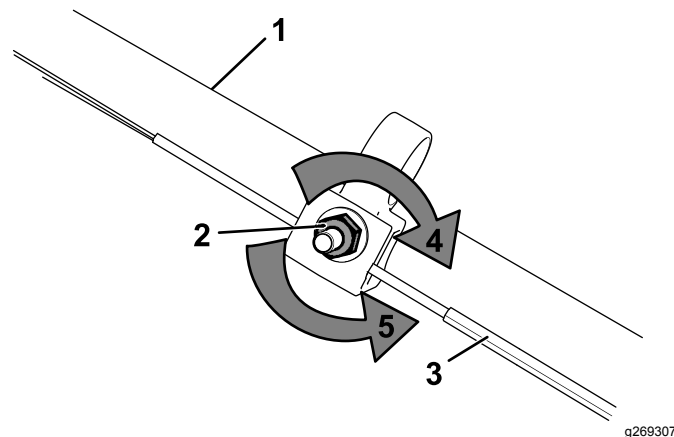
Opmerking: Zorg ervoor dat het deksel goed over de kabelboom past.
5. Monteer de achterklep en de handgreep op de machine.
6. Zet de handgreep rechtop.
7. Bevestig het scherm met de 4 kleine bouten die u hebt verwijderd in stap 5 van [De oude accu verwijderen \(bladz. 24\)](#).
8. Monteer de afsluiter van het achteruitwerpkanaal.
9. Zet de handgreep terug in de bedrijfsstand.

De zelfaandrijving afstellen

Alleen voor modellen met zelfaandrijving

Wanneer u een nieuwe kabel voor de zelfaandrijving monteert of de zelfaandrijving ontregeld is, moet u de zelfaandrijving afstellen.

1. Draai de stelmoer linksom om het afstelmechanisme van de kabel los te zetten ([Figuur 34](#)).



Figuur 34

1. Handgreep (linkerzijde)
2. Stelmoer
3. Kabel van zelfaandrijving
4. Draai de moer rechtsom om de afstelling te borgen.
5. Draai de moer linksom om het afstelmechanisme los te zetten.

2. Stel de kabelspanning af ([Figuur 34](#)) door de kabel naar achteren of naar voren te bewegen en hem in deze positie te houden.

Opmerking: Duw de kabel naar de motor om de tractie te verhogen; trek de kabel weg van de motor om de tractie te verkleinen.

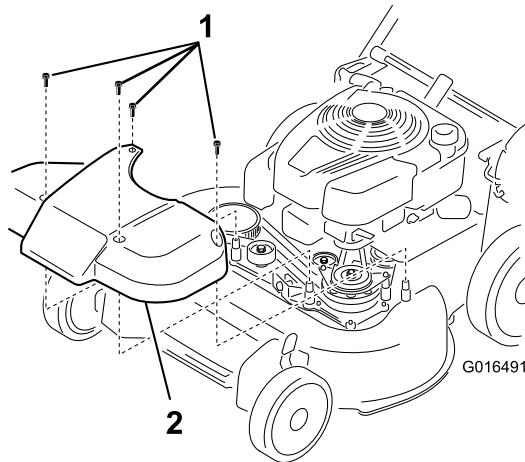
3. Draai de stelmoer rechtsom om de afstelling van de kabel te borgen.

Opmerking: Draai de moer stevig vast met een dopsleutel of een moersleutel.

Onderhoud van het mesaandrijfsysteem

Onderhoudsinterval: Om de 50 bedrijfsuren

1. Verwijder het deksel van het mesaandrijfsysteem (Figuur 35).



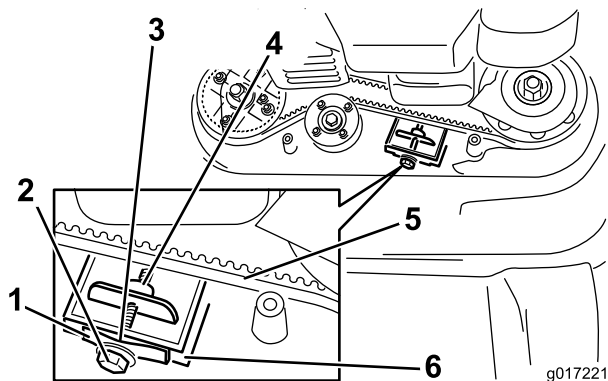
Figuur 35

g016491

1. Bouten
2. Deksel

2. Borstel of blaas het vuil uit de binnenzijde van het scherm en van alle onderdelen.
3. Hou een voelmaat van 0,25 mm, een stukje papier of een fichekaart tegen de wand en schuif het naar beneden achter de riemspanveer.

Opmerking: Als er zichtbare speling is tussen de voelmaat en de veer, moet u de stelbout en -moer aandraaien tot het papier maar net vrij in en uit de tussenruimte kan schuiven (Figuur 36).



Figuur 36

g017221

1. Riemspanveer
2. Stelbout
3. Tussenruimte
4. Stelmoer
5. Mesaandrijfriem
6. Wand

Belangrijk: Draai de stelbout niet te vast aan. Dit kan de mesaandrijfriem beschadigen.

4. Plaats het scherm van het mesaandrijfsysteem terug.

Onderhoud van de maaimessen

Onderhoudsinterval: Jaarlijks

Belangrijk: U hebt een momentsleutel nodig om de messen op correcte wijze te monteren. Als u geen momentsleutel hebt of niet goed weet hoe u de montage moet uitvoeren, kunt u contact opnemen met een erkende servicedealer.

Controleer de maaimessen wanneer de brandstoftank leeg is. Als de maaimessen beschadigd zijn of scheuren vertonen, vervang ze dan direct. Als de snijranden van de messen bot zijn of kleine beschadigingen hebben, laat ze dan slijpen en balanceren, of vervang ze.

Belangrijk: Gebruik altijd gevoerde handschoenen als u aan het maimes werkt.

⚠ WAARSCHUWING

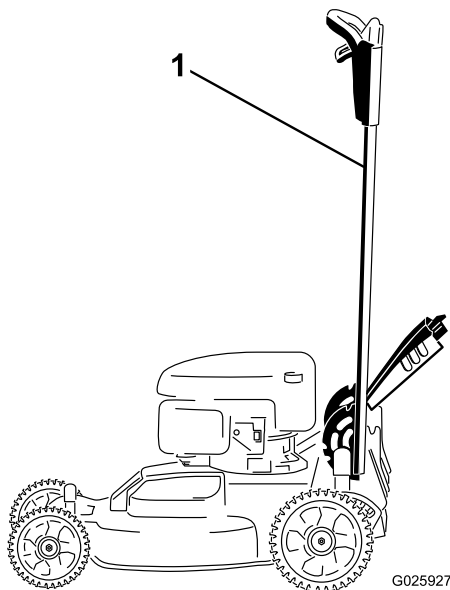
Een versleten of beschadigd mes kan breken en een stuk van het mes kan worden uitgeworpen in de richting van de gebruiker of omstanders en zo ernstig lichamelijk letsel toebrengen.

- Controleer op gezette tijden de maaimessen op slijtage of beschadigingen.
- Vervang een versleten of beschadigd mes.

Opmerking: Zorg gedurende het hele maaiseizoen voor scherpe maaimessen. Scherpe messen snijden het gras goed af zonder het te scheuren of te kwetsen.

Onderhoud van de maaimessen: voorbereiding

1. Borg de handgreep in de verticale stand (Figuur 37); zie [Hoogte van handgreep instellen \(bladz. 11\)](#).



Figuur 37

1. Handgreep vergrendeld in de verticale stand

2. Kantel de machine op de zijkant, met de peilstok naar beneden, tot het bovenste deel van de handgreep op de grond ligt.

⚠ WAARSCHUWING

Als een mes gaat slijten, kan er een groef ontstaan tussen de vleugel en het platte deel van het mes. Uiteindelijk kan dan een stuk van het mes afbreken en van onder de maai kast worden weggeslingerd waardoor de bestuurder of een omstander ernstig letsel kan oplopen.

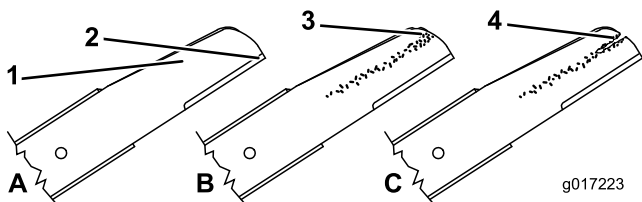
- Controleer op gezette tijden het maimes op slijtage of beschadigingen.
- Probeer nooit een krom mes recht te buigen of een gebroken of gescheurd mes te lassen.
- Vervang een versleten of beschadigd mes.

3. Controleer op kromme messen; zie [Controle op kromme messen](#) (bladz. 28).

De maaimessen controleren

Onderhoudsinterval: Bij elk gebruik of dagelijks

1. Controleer de snijranden ([Figuur 38](#)). Als de randen niet scherp zijn of bramen vertonen, moet u de maaimessen verwijderen en slijpen of vervangen.



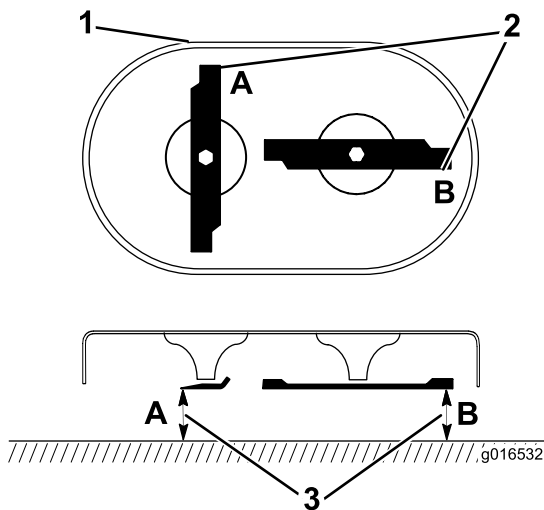
Figuur 38

- | | |
|-----------------|--------------------------|
| 1. Snijrand | 3. Slijtage/groefvorming |
| 2. Gebogen deel | 4. Scheur |

2. Controleer de messen zelf, met name het gebogen deel ([Figuur 38](#)). Als u beschadiging, slijtage of groefvorming in dit deel constateert, moet u het mes direct vervangen door een nieuw exemplaar.

Controle op kromme messen

1. Draai de maaimessen tot de stand in [Figuur 39](#).



Figuur 39

g016532

1. Voorkant van maaidek
2. Meten bij A en B
3. Meet vanaf de snijrand tot op een gelijk, horizontaal oppervlak

2. Meet van een horizontaal oppervlak tot de snijranden op de plaatsen **A** en **B** ([Figuur 39](#)), en noteer de metingen.
3. Draai de messen tot de tegenovergestelde uiteinden zich op de plaatsen **A** en **B** bevinden ([Figuur 39](#)).
4. Herhaal de metingen van stap 2 en noteer ze.

Opmerking: Als het verschil tussen de metingen **A** en **B** die u verkregen hebt in stap 2 en 4 meer is dan 3 mm, is het mes verbogen en moet het vervangen worden. Zie [Maaimessen verwijderen](#) (bladz. 28) en [Maaimessen monteren](#) (bladz. 29).

⚠ WAARSCHUWING

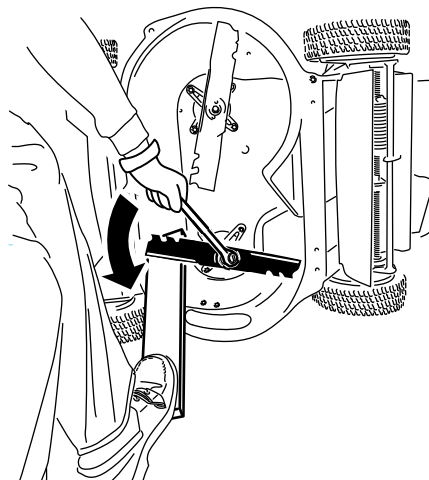
Een krom of beschadigd mes kan breken en u of omstanders ernstig letsel toebrengen.

- Vervang altijd een krom of beschadigd mes door een nieuw mes.
- Vijl of maak nooit scherpe inkepingen in de snijranden of het oppervlak van het mes.

Maaimessen verwijderen

Vervang de messen als de machine een vast object raakt of als een mes gebogen of uit balans is. Vervang de messen alleen door originele messen van Toro.

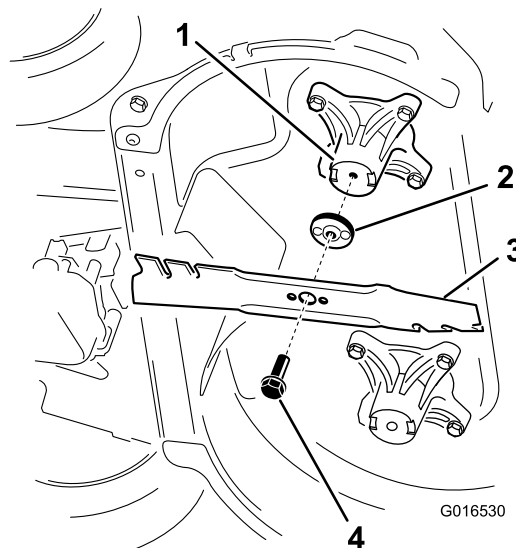
1. Gebruik een houten blok om de messen te ondersteunen en draai de mesbout linksom zoals getoond in [Figuur 40](#).



Figuur 40

g232790

2. Verwijder de messen zoals getoond in [Figuur 41](#).



Figuur 41

G016530

g016530

1. As (2)
2. Mesaandrijving (2)
3. Mes (2)
4. Mesbout (2)

3. Inspecteer de pennen van de mesaandrijvingen op slijtage en beschadiging.

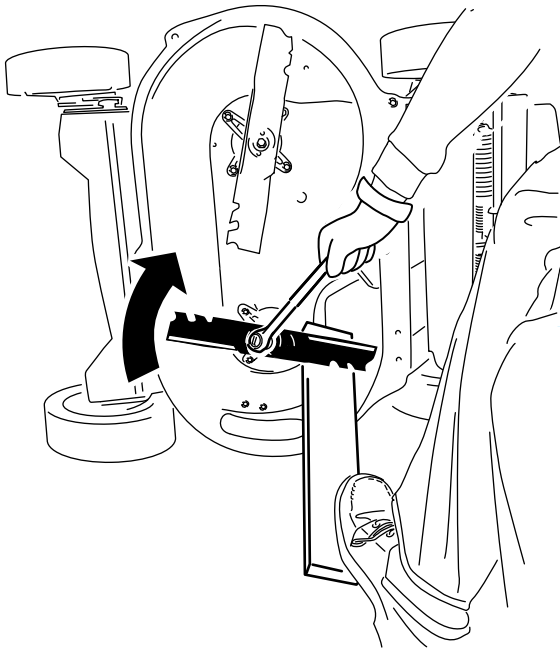
Maaimessen monteren

1. Monteer het eerste mes horizontaal en breng al het bevestigingsmateriaal aan zoals in [Figuur 41](#).

Opmerking: Draai de bout vast met de hand.

Belangrijk: De gebogen uiteinden van de messen moeten naar de machine wijzen. Zorg ervoor dat de uitstekende delen van de mesaandrijvingen in de inkepingen in de kop van de overeenkomende as zitten, en de pennetjes aan de andere kant van de mesaandrijvingen in de gaten van het overeenkomende mes.

2. Ondersteun de messen met een plank en draai de mesbout rechtsom met een momentsleutel zoals in [Figuur 42](#); draai de mesbout aan met 82 N·m.

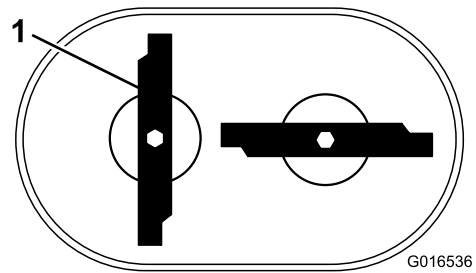


Figuur 42

g232801

3. Draai het gemonteerde mes een kwartslag tot het verticaal staat en monteer het andere mes op dezelfde manier als het eerste (zie stap 1).

Opmerking: De messen moeten loodrecht op elkaar staan in een omgekeerde T, zoals op [Figuur 43](#).



Figuur 43

g016536

1. Mes (2)

4. Draai het tweede mes vast; zie 2.

5. Draai de messen handmatig 360° rond om zeker te zijn dat ze elkaar niet raken.

Opmerking: Als de messen elkaar raken, zijn ze niet juist gemonteerd. Herhaal stappen 1 tot 3 totdat de messen elkaar niet meer raken.

⚠ WAARSCHUWING

Een onjuiste montage van de maaimessen kan de machine beschadigen of u of omstanders verwonden.

Wees voorzichtig als u de maaimessen plaatst.

Stalling

Stal de maaimachine op een koele, schone, droge plaats.

De machine veilig stallen

Zet altijd de machine af, verwijder het contactsleuteltje (indien aanwezig), wacht totdat alle bewegende onderdelen tot stilstand zijn gekomen en laat de machine afkoelen voordat u ze afstelt, schoonmaakt, stalt, of er onderhoudswerkzaamheden aan verricht.

Algemene informatie

1. Voer de aanbevolen jaarlijkse onderhoudsprocedures uit; zie [Onderhoud \(bladz. 21\)](#).
2. Ruimte onder de maaibehuizing reinigen; zie [De onderkant van de machine reinigen \(bladz. 19\)](#).
3. Verwijder haksel, vuil en roet van de buitenste motoronderdelen, de uitlaatring en de bovenkant van de machine.
4. Controleer de conditie van de maaimessen; raadpleeg [De maaimessen controleren \(bladz. 27\)](#).
5. Geef het luchtfilter een onderhoudsbeurt; zie [Onderhoud van het luchtfilter \(bladz. 22\)](#).
6. Draai alle moeren, bouten en schroeven goed aan.
7. Werk alle geroeste of afgebladderde verfoppervlakken bij met lak die verkrijgbaar is bij een erkende servicedealer.
8. **Alleen modellen met elektrisch startstelsel:** Laad de accu voor het eerste gebruik gedurende 24 uur op, haal vervolgens de acculader uit het stopcontact en stal de machine in een onverwarmde ruimte. Als u de machine stalt in een verwarmde ruimte, moet u de accu om de 90 dagen opladen. Verwijder het sleuteltje.
9. Klap de handgreep in om de machine te stallen; zie [1 De handgreep monteren en uitklappen \(bladz. 5\)](#).

Het brandstofsysteem gebruiksklaar maken

⚠ WAARSCHUWING

Brandstof kan bij langdurige opslag verdampen en de dampen kunnen ontploffen als zij in contact komen met een open vuur.

- Bewaar brandstof niet voor langere tijd.
- Stal de maaimachine niet met brandstof in de brandstoftank of de carburateur in een afgesloten ruimte waar open vuur is. (Bijvoorbeeld een verwarmingsketel of de waakvlam van een heetwatertoestel.)
- Laat de motor afkoelen voordat u de maaimachine in een afgesloten ruimte stalt.

Als u de tank voor de laatste keer van het jaar vult, moet u een stabilizer toevoegen aan de benzine volgens de voorschriften van de fabrikant. Maak de brandstoftank leeg nadat u de machine voor de laatste keer hebt gebruikt voordat deze de stalling ingaat.

1. Laat de motor lopen totdat hij afslaat door gebrek aan brandstof.
2. Start de motor opnieuw en laat hem lopen totdat hij afslaat. Als de motor niet meer wil starten, is de brandstof voldoende verbruikt.

De motor gebruiksklaar maken

1. Terwijl de motor nog warm is, ververs u de motorolie; raadpleeg [Motorolie verversen \(bladz. 23\)](#).
2. Trek de kabel los van de bougie en verwijder het contactsleuteltje (alleen modellen met elektrisch startstelsel).
3. Verwijder de bougie.
4. Giet met een oliekan ongeveer 30 ml motorolie in de motor via de bougieopening.
5. Trek langzaam enkele keren aan het startkoord om de olie over de cilinder te verdelen.
6. Monteer de bougie, maar sluit de bougiekabel niet aan op de bougie. Bevestig de kabel zodat deze de bougie niet raakt.

De maaimachine uit de stalling halen

1. Vouw de handgreep uit; zie [1 De handgreep monteren en uitklappen \(bladz. 5\)](#).
2. Controleer alle bevestigingen en draai deze vast.
3. Verwijder de bougie en draai de motor snel rond met behulp van het startkoord om overtollige olie uit de cilinder te verwijderen.
4. Controleer de bougie en vervang deze indien hij vuil, versleten of gebarsten is; zie de gebruikershandleiding van de motor.
5. Plaats de bougie en draai die vast met de aanbevolen 20 N·m.
6. Voer de vereiste onderhoudsprocedures uit; zie [Onderhoud \(bladz. 21\)](#).
7. Controleer het oliepeil in de motor; zie [Brandstoftank vullen \(bladz. 10\)](#).
8. Vul de brandstoftank met verse brandstof; zie [Brandstoftank vullen \(bladz. 10\)](#).
9. **Uitsluitend model met elektrisch startsysteem:** Laad de accu op; zie [5 De accu opladen \(bladz. 7\)](#).
10. Sluit de bougiekabel aan op de bougie.

Privacyverklaring EEA/VK

Toro's gebruik van uw persoonlijke gegevens

The Toro Company ("Toro") respecteert uw recht op privacy. Wanneer u onze producten koopt, kunnen we bepaalde persoonlijke informatie over u verzamelen, ofwel rechtstreeks via u ofwel via uw plaatselijk Toro bedrijf of dealer. Toro gebruikt deze informatie om te voldoen aan contractuele verplichtingen – zoals het registreren van uw garantie, het behandelen van uw garantieclaim of om contact met u op te nemen in het geval van terugroepacties – en voor legitieme zakelijke doeleinden – zoals klanttevredenheid meten, onze producten verbeteren of u productinformatie verschaffen die van belang kan zijn. Toro kan uw informatie delen met onze dochterondernemingen, verdelers of andere zakenpartners in verband met deze activiteiten. We kunnen ook persoonlijke informatie vrijgeven van rechtswege of in verband met de verkoop, aankoop of fusie van een bedrijf. We verkopen uw persoonsgegevens nooit aan andere bedrijven voor marketingdoeleinden.

Bewaring van uw persoonsgegevens

Toro bewaart uw persoonlijke informatie zolang deze relevant is voor de bovengenoemde doeleinden en in overeenstemming is met de wettelijke vereisten. Gelieve contact op te nemen via legal@toro.com voor meer informatie over de bewaarperiodes die van toepassing zijn.

Toro's engagement inzake veiligheid

Uw persoonlijke informatie kan behandeld worden in de VS of een ander land dat mogelijk soepelere databeschermingswetten heeft dan het land waar u verblijft. Indien we uw informatie overdragen naar een ander land dan het land waar u verblijft, nemen wij de wettelijk verplichte maatregelen om ervoor te zorgen dat de informatie op gepaste wijze wordt beschermd en veilig wordt behandeld.

Toegang en correctie

U hebt het recht om uw persoonlijke gegevens te corrigeren of te raadplegen, of zich te verzetten tegen de verwerking van uw gegevens of deze te beperken. Om deze rechten uit te oefenen, gelieve een e-mail te sturen naar legal@toro.com. Als u zich zorgen maakt over de manier waarop Toro uw informatie heeft behandeld, vragen wij u om deze direct ten aanzien van ons te uiten. Europese burgers hebben het recht om een klacht in te dienen bij hun gegevensbeschermingsautoriteit.



Count on it.