



Count on it.

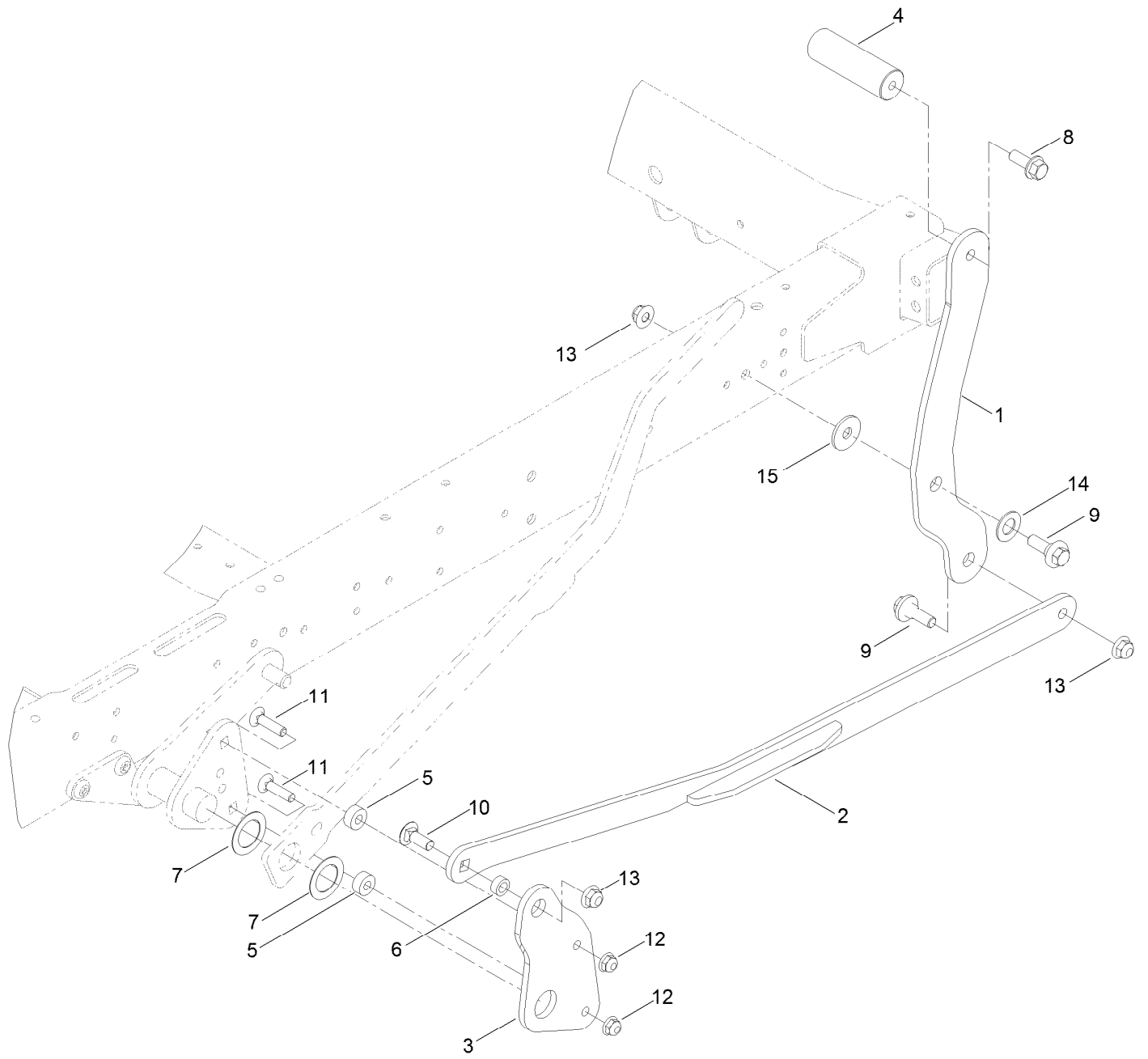
Parts Catalog

**Deck Footlift Assist Kit
TimeCutter® Riding Mower**

Model No. 140-2059



Deck Footlift Assist Kit Assembly No. 140-2059



Deck Footlift Assist Kit Assembly No. 140-2059 (continued)

<i>Ref.</i>	<i>Part Number</i>	<i>Qty.</i>	<i>Description</i>	<i>Ref.</i>	<i>Part Number</i>	<i>Qty.</i>	<i>Description</i>
1	138-2549-03	1	Pedal-Lift	9	137-9847	2	Screw-Shoulder
2	140-2746-03	1	Link ASM	10	139-2590	1	Screw-CARR
3	137-7086	1	Plate-Footlift	11	139-1702	2	Bolt-Carriage
4	139-7452	1	Pedal-Foot Lift	12	119-4041	2	Nut-HF
5	140-3461	2	Spacer	13	119-4042	3	Nut-HF, NI
6	140-2093	1	Spacer	14	120-2273	1	Washer-Nylon
7	63-2290	2	Washer-Thrust	15	140-5063	1	Washer-Hardened, Cz
8	139-2597	1	Screw-HHF				



Count on it.