



42in Bagging Enhancement Kit

TimeCutter® Riding Mower

Model No. 139-7478

Installation Instructions

⚠ WARNING

CALIFORNIA Proposition 65 Warning

Use of this product may cause exposure to chemicals known to the State of California to cause cancer, birth defects, or other reproductive harm.

Determine the left and right sides of the machine from the normal operating position.

Preparing the Machine

1. Park the machine on a level surface.
2. Disengage the blade-control switch.
3. Move the motion-control levers outward to the PARK position.
4. Shut off the engine and remove the key.
5. For easier access, raise the front of the machine and support it using jackstands rated for your machine.

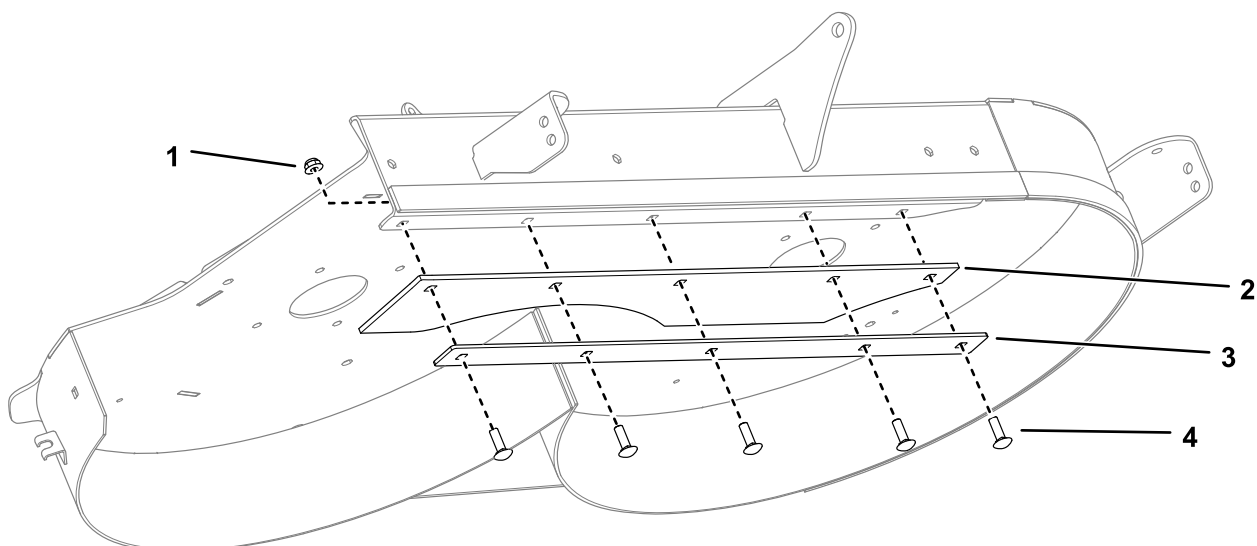
⚠ WARNING

Mechanical or hydraulic jacks may fail to support the machine and cause serious injury.

Use jack stands when supporting the machine.

Installing the Kit

Install the skirt and plate to the mower deck using 5 bolts and 5 nuts.



1. Nut (5)

2. Skirt

3. Plate

4. Bolt (5)

g307610





Count on it.