



Floormat Kit
TimeCutter® Riding Mower
 Model No. 140-2060

Installation Instructions

Installation

Loose Parts

Use the chart below to verify that all parts have been shipped.

Description	Qty.	Use
No parts required	–	Prepare the machine.
Floormat	1	Install the floormat.

Preparing the Machine

1. Park the machine on a level surface.
2. Disengage the blade-control switch.
3. Move the motion-control levers outward to the NEUTRAL-LOCK position to engage the parking brake.
4. Shut off the engine and remove the key.



Installing the Floormat

Place the floormat onto the platform (Figure 1).

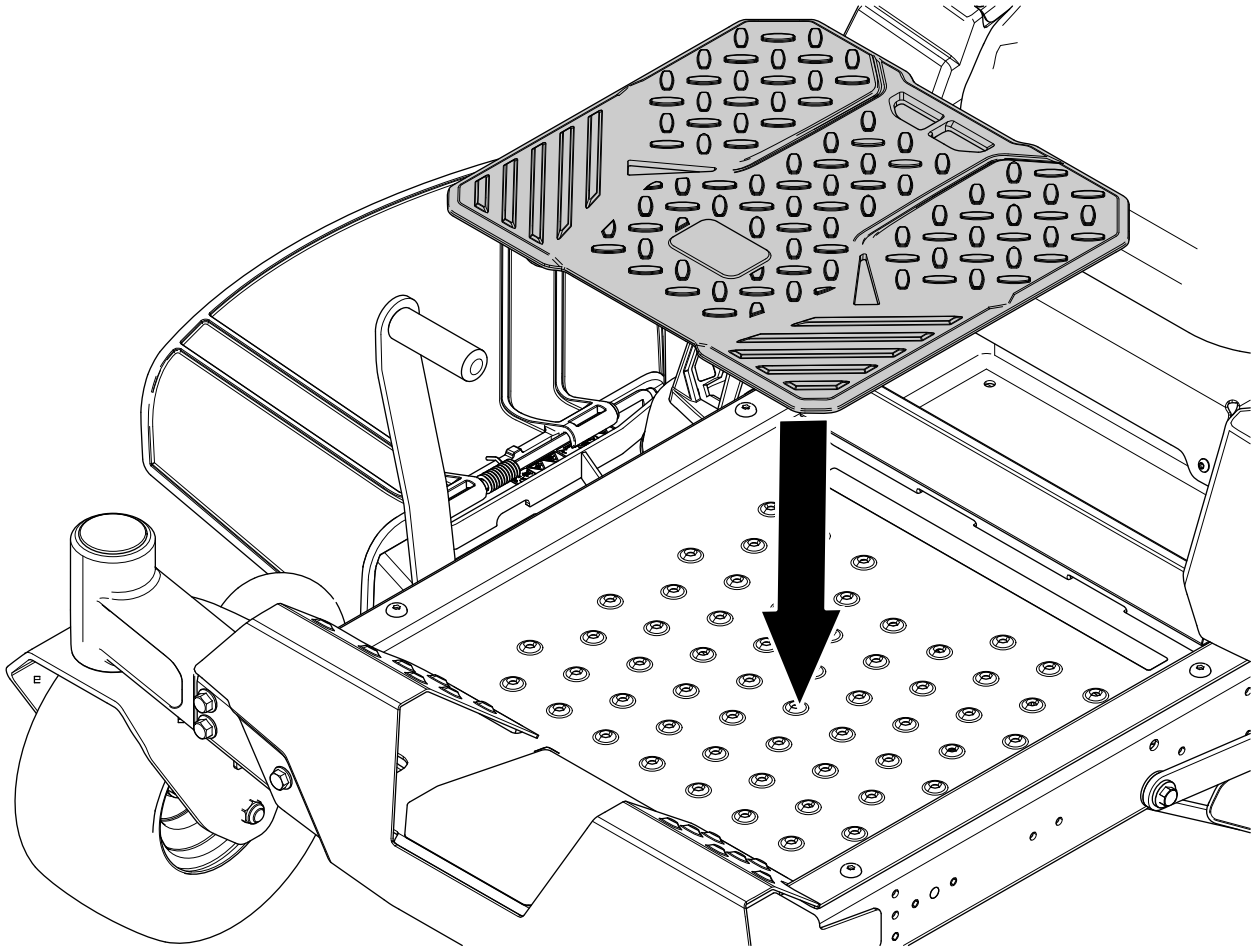


Figure 1

g308899