



Count on it.

Parts Catalog

**LT-F3000 Heavy-Duty Triple Turf
Flail Mower**

Model No. 30659—Serial No. 405500001 and Up



Ordering Replacement Parts

To order replacement parts, please supply the part number, the quantity, and the description of each part desired.

Understanding Reference Numbers

Each identified part in an illustration has a reference number. The reference number for a part also appears in the parts list, along with other information about the part.

This catalog uses two special reference number formats, one to indicate parts in a service assembly and another to indicate the quantity of a given part in an illustration.

Service Assembly Reference Numbers

Parts in service assemblies have reference numbers in the form a:b. The a represents the reference number of the entire service assembly and the b represents a sequential number unique to each part within the service assembly.

For example, a wheel assembly might be identified by reference number 6, the tire by 6:1, the valve by 6:2, and the wheel by 6:3. When you order the assembly identified by reference number 6, you receive all parts identified by reference numbers 6:1, 6:2, and 6:3. However, you may also order any part individually. Reference numbers of this type appear in illustration and in parts lists.

Reference Numbers Indicating Quantity

In an illustration, if a reference number indicates more than one part, the reference number has the form nX y. The n represents the quantity of the part, the X is the multiplication symbol, and the y represents the reference number.

For example, in an illustration, the reference number 2X 37 means that two of the parts identified by reference number 37 are indicated.

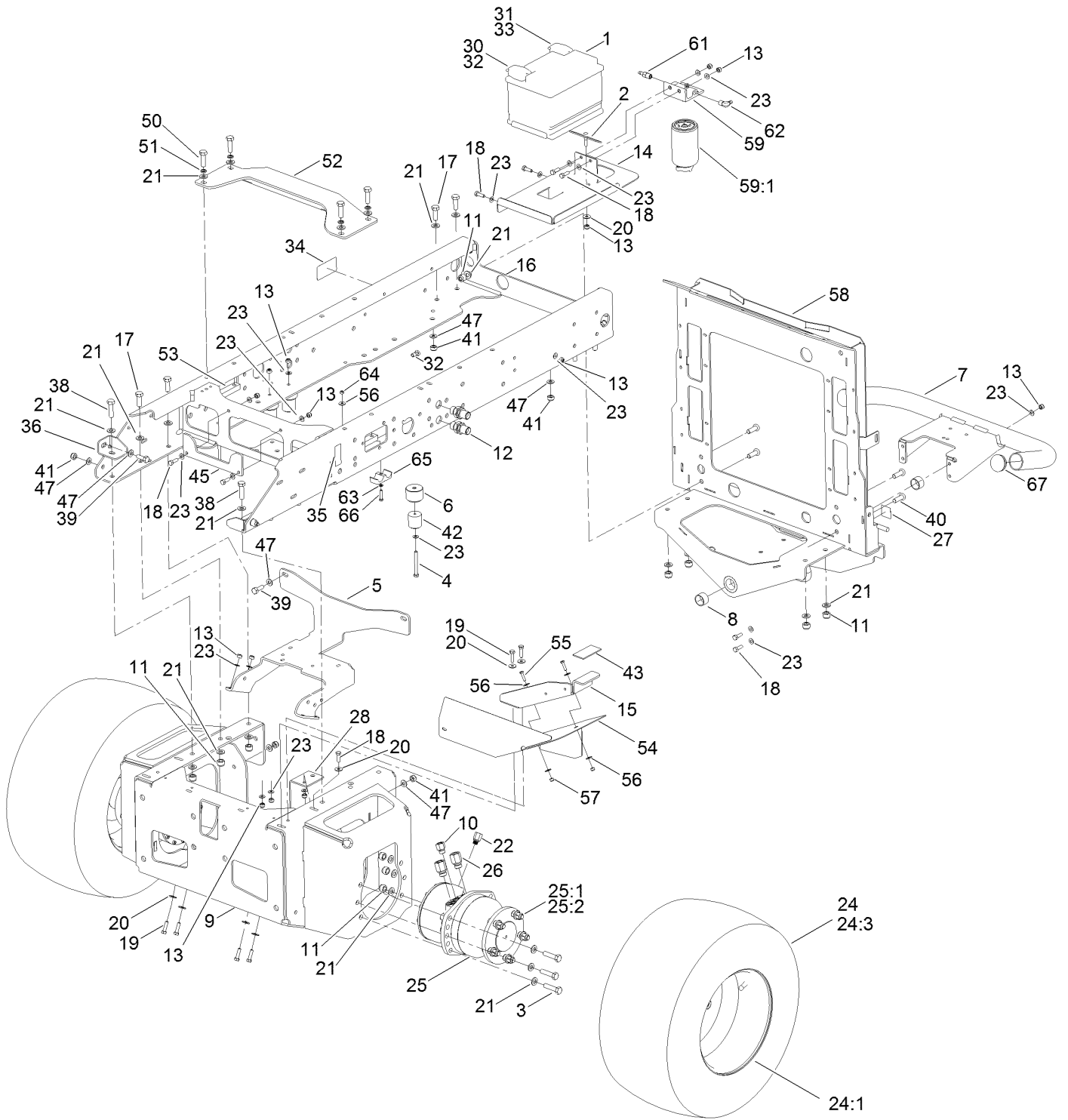
Contents

Chassis Assembly	6
Rear Axle Assembly	8
Front Arm Assembly	10
Center Arm Assembly	12
Engine and Muffler Assembly	14
Radiator and Oil Cooler Assembly	16
Seat Pan Assembly	18
Seat Assembly No. 134-0260	20
Steering Column Assembly No. 111-6756	22
Engine Cover Assembly	24
Subsystem Hydraulic Manifold Assembly	26
Valve Control Assembly	28
Loom Kit Assembly	30
Control Arm Assembly	32
Control Pedal Assembly	34
Cutter Component Assembly	36
Flail Cutterhead Assembly No. 111-9515	38
Center Head HOC Adjuster Assembly	40
Front Head HOC Adjuster Assembly No. 111-9519	42
Fuel Tank and Storage Pod Assembly	44
Roll-Over Protection System Assembly	46
Hydraulic Oil Tank Assembly	48
Hydraulic Pump Assembly	50
Hydraulic Pump Assembly No. 111-8723	52
Hose Kit Assembly 111-8449	54
Hose Kit Assembly 111-8448	56
Lift Hydraulic Hose Routing Assembly	58
Filter Assembly	60
Hydraulic Manifold Assembly	62
Cutter Manifold Assembly	64
Manifold Hydraulic Assembly	66
Crankcase Assembly	68
Oil Pan Assembly	69
Cylinder Head Assembly	70
Gear Case and Oil Filter Cartridge Assembly	71
Cylinder Head Cover Assembly	72
Oil Dipstick and Guide Assembly	73
Main Bearing Case Assembly	74
Cam Shaft and Idle Gear Assembly	75
Piston and Crankshaft Assembly	76
Flywheel Assembly	77
Fuel Camshaft and Governor Shaft Assembly	78
Idle Apparatus and Stop Solenoid Assembly	79
Injection Pump and Fuel Pump Assembly	80
Governor Assembly	81
Speed Control Plate Assembly	82
Nozzle Holder and Glow Plug Assembly	83
Nozzle Holder Assembly	84
Alternator, Pulley and Fan Assembly	85
Alternator Components Assembly No. 121-3811	86
Starter Installation Assembly	87
Starter Component Part Assembly No. 111-7496	88
Water Flange and Thermostat Assembly	89
Water Pump and Water Pipe Assembly	90

Contents (continued)

Reserve Tank Assembly	91
Valve and Rocker Arm Assembly.....	92
Inlet and Exhaust Manifold Assembly	93
Muffler Assembly	94
Turbo Charger Assembly	95
Oil Pipe (Turbo Charger) Assembly	96
Oil Cooler Assembly	97
Miscellaneous Engine Parts	98

Chassis Assembly

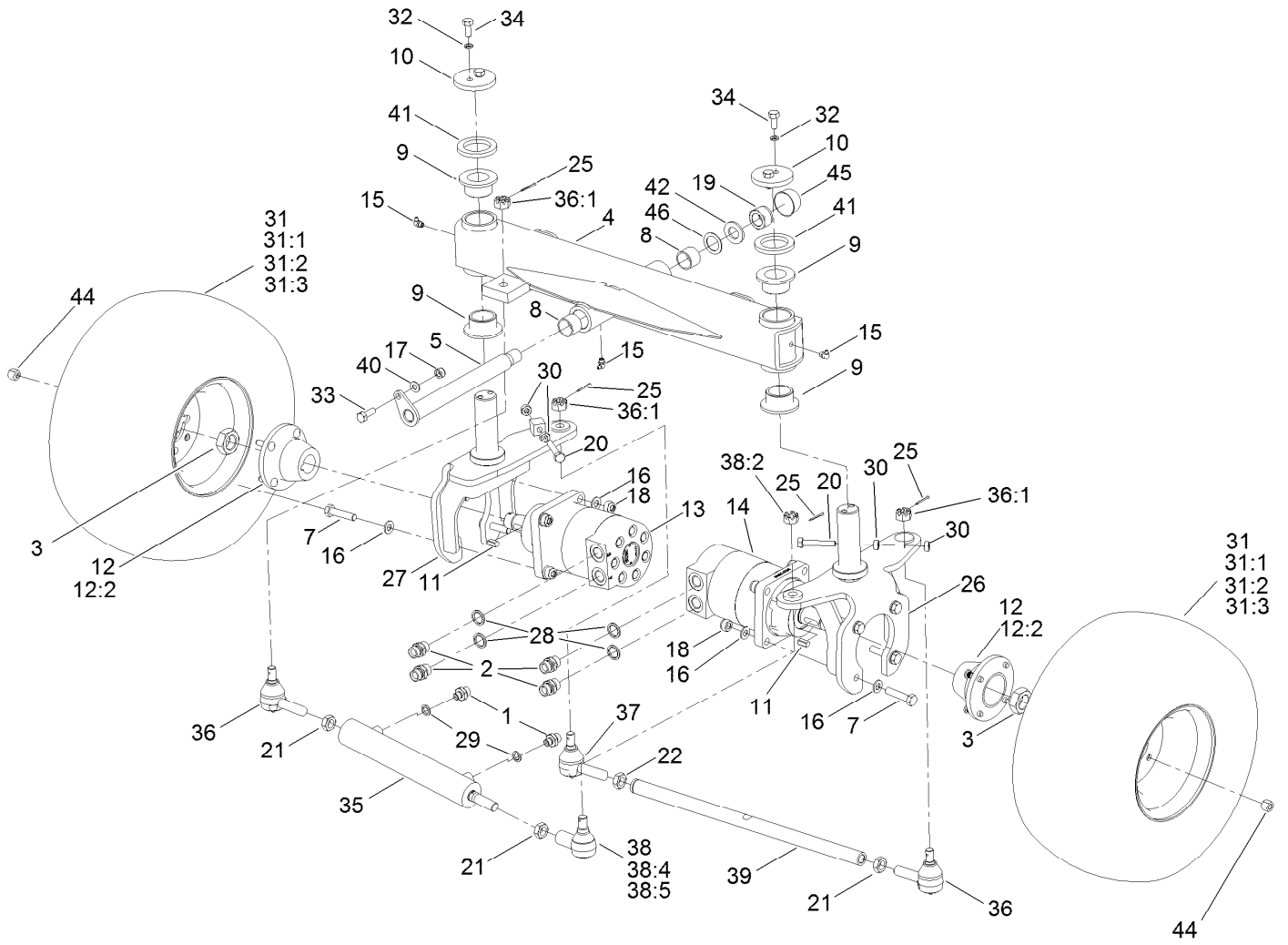


Chassis Assembly (continued)

<i>Ref.</i>	<i>Part Number</i>	<i>Qty.</i>	<i>Description</i>	<i>Ref.</i>	<i>Part Number</i>	<i>Qty.</i>	<i>Description</i>
1	70-09-015	1	Battery	32	111-3690	1	Cable-Battery, Positive
2	70-01-340	1	Retainer-Battery	33	70-09-170	1	Cable-Battery, Negative
3	09552	12	Screw-HH	34	950889	1	Decal-Warning
4	ZBH1H075U	4	Bolt	35	111-3901	1	Decal-Transmission, Oil
5	111-6791-03	1	Bracket-Manifold, Cutter	36	111-7092-03	2	Bracket-Chassis, Universal
6	111-5305	4	Bump-Stop	38	ZBH1L045U	2	Screw-HH
7	134-2173-03	1	Bumper Bar ASM	39	09392	4	Screw-HH
8	65-07-051	2	Bushing	40	09419	4	Screw-Soc, HD
9	111-2105-03	1	Chassis-Front	41	ZNN1J000U	6	Nut-Hex, NI
10	111-3509	2	Adaptor	42	61-07-003	4	Buffer-Rubber
11	ZNN1L000U	26	Nut-Nyloc	43	HY910808	1	Strip-Neoprene
12	111-9109	2	Fitting-Straight	45	111-5538-03	1	Location-Plate
13	09441	22	Nut-Hex, NI	47	ZWQ1J000U	10	Washer-Plain
14	111-9658-03	1	Mount-Battery	50	63-11-010	4	Bolt-HH
15	111-3217-03	1	Support-Platform, Front (LH)	51	09599	4	Washer-Lock
16	111-8020-03	1	Chassis-Centre	52	111-7065-03	1	Brace
17	ZDH1L035U	8	Screw-HH	53	111-7094	2	Brace-Chassis
18	03162	11	Screw-HH	54	111-7252-03	1	Deflector-Grass, Cutter (LH)
19	09369	6	Screw-HH	55	09364	2	Screw-HH
20	09267	8	Washer-Plain	56	09262	5	Washer
21	HY09485	52	Washer-Plain	57	09544	2	Nut-Nyloc
22	111-3538	2	Adaptor	58	111-8460-03	1	Chassis-Rear
23	09475	35	Washer	59	110-9044	1	Separator-Filter
24	111-6878	2	Wheel ASM	59:1	110-9049	1	Filter-Spin On
24:1	111-6879	1	Rim-Wheel	61	353-783	1	Fitting-STR
24:2	74-07-012	1	Tube-Inner ●	62	353-781	1	Fitting-HYD, 90
24:3	74-07-027	1	Tire	63	09472	1	Washer-Plain ●
25	134-3968	2	Motor-Wheel, Front	64	09438	1	Nut-Nyloc ●
25:1	111-7059	5	Stud-Wheel	65	56-7974	1	Clamp-Tube ●
25:2	74-07-016	5	Nut	66	09547	1	Screw-HH ●
25:99	134-3982	1	Kit-Seal	67	994856	2	Insert-Round
26	111-3529	4	Adaptor	99	110-6146	2	Hose-Fuel ●
27	70-13-072	1	Decal	99	117-0298	1	Hose-Fuel ●
28	111-9126-03	1	Bracket-Valve, Mounting	99	2412-80	2	Clamp-Hose ●
30	70-09-171	1	Terminal-Positive	99	70-09-081	2	Tubing ●
31	70-09-172	1	Terminal-Negative	99	92-2379	4	Clamp-Hose ●

● Not illustrated

Rear Axle Assembly



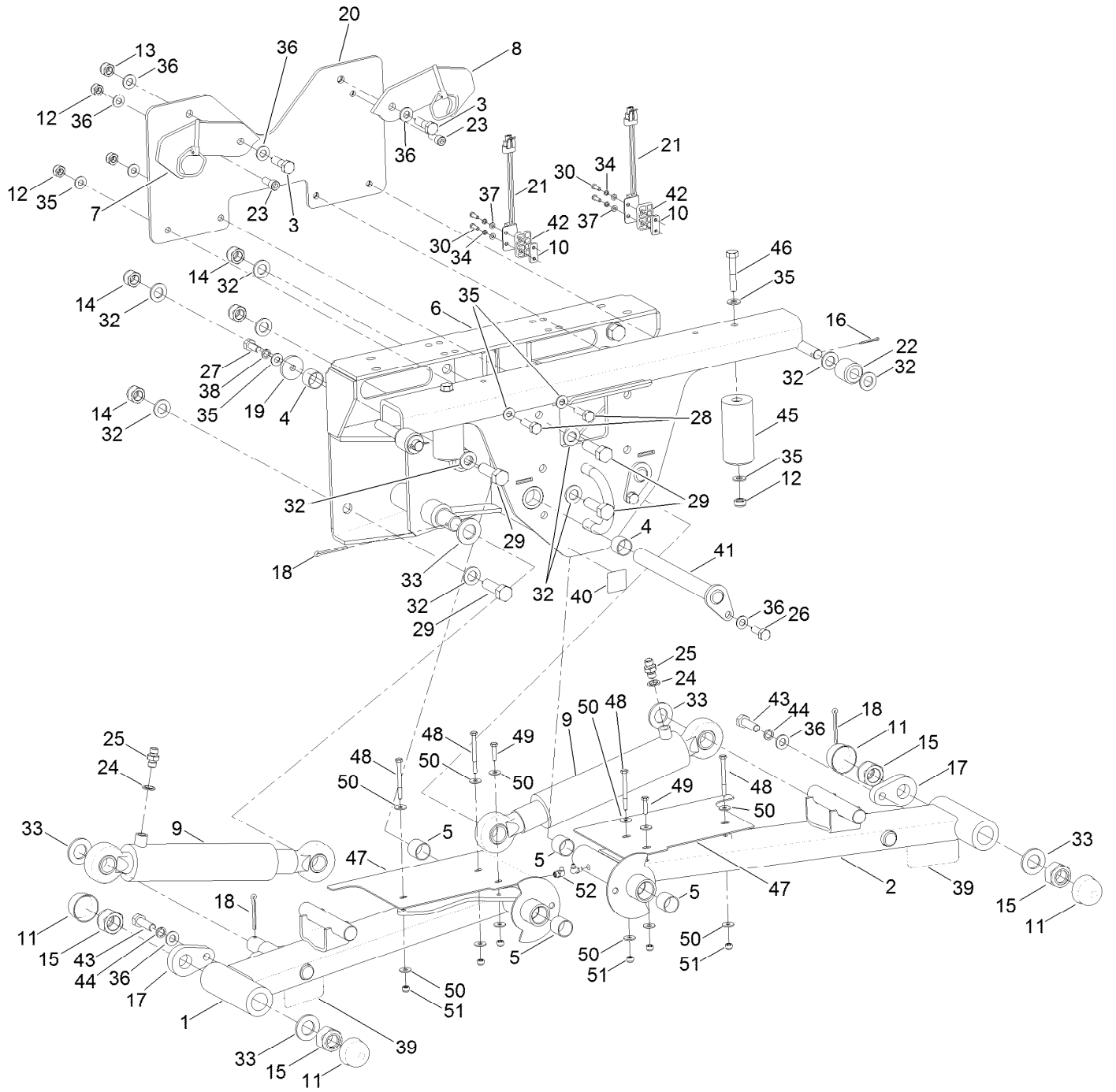
Rear Axle Assembly (continued)

<i>Ref.</i>	<i>Part Number</i>	<i>Qty.</i>	<i>Description</i>	<i>Ref.</i>	<i>Part Number</i>	<i>Qty.</i>	<i>Description</i>
1	50-06-009	2	Adaptor-BSP	31	111-6876	2	Wheel ASM
2	10-06-078	4	Adaptor-BSPP	31:1	111-6877	1	Rim-Wheel
3	107-9319	2	Nut-Hex	31:2	72-07-068	1	Tube-Inner ●
4	134-0295-03	1	Axle-Rear	31:3	924803	1	Tire
5	111-3265	1	Pin-Axle	32	09480	4	Washer-Lock
7	ZBH1L055U	8	Bolt	33	09392	1	Screw-HH
8	70-05-031	2	Bushing	34	09395	4	Screw-HH
9	134-0253	4	Bushing-Flange	35	134-0292	1	Steering Cylinder ASM
10	70-01-197	2	Cap-Washer	35:99	111-9939	1	Seal Kit ●
11	117-5198	2	Key-Square	36	71-4740-03	2	RH Tie Rod End ASM
12	111-9238-03	2	Hub, Motor-Rear	36:1		1	End-Rod, Tie (RH) ■
12:2	65-07-019	4	Stud-Wheel ●	36:1:1	105-7941	1	Nut-Hex, Slotted
13	111-8431	1	Motor-Wheel, Rear (LH)	36:1:2	105-7835	1	Seal
13:1	115-4061	1	Seal Kit ●	36:1:3	302-5	1	Fitting-Grease
14	111-8432	1	Motor-Wheel, Rear (RH)	37	2411-46-03	1	LH Tie Rod ASM
14:1	115-4061	1	Seal Kit ●	37:1		1	End-Rod, Tie (LH) ■
15	63-07-027	3	Zerk-Grease, BSP (90 DEG)	37:1:1	302-5	1	Fitting-Grease
16	HY09485	16	Washer-Plain	37:1:2	105-7835	1	Seal
17	ZNN1J000U	1	Nut-Hex, NI	37:1:3	105-7941	1	Nut-Hex, Slotted
18	09650	8	Nut-Hex, Nyloc	38	107-2553	1	Rod End ASM
19	ZNN1X000U	1	Nut-Hex, Nyloc	38:2	32136-2	1	Nut-SHH
20	ZDH1J060U	2	Setscrew-HH	38:4	106-6896	1	Seal
21	84-5300	3	Nut-Jam	38:5	302-5	1	Fitting-Grease
22	110-5337	1	Nut-Jam	39	111-7924-03	1	Rod-Tie
25	70-11-005	4	Pin-Split	40	ZWQ1J000U	1	Washer-Plain
26	134-2305-03	1	Rear Yoke RH	41	70-07-149	2	Washer-Felt
27	134-2304-03	1	Rear Yoke LH	42	09555	1	Washer
28	10-06-032	4	Seal-Dowty	44	65-07-009	8	Nut-Wheel, Dome
29	10-06-030	2	Seal-Dowty	45	10-11-100	1	Cap-Nut
30	09449	4	Nut	46	09298	1	Washer

● Not illustrated

■ Not serviced separately

Front Arm Assembly

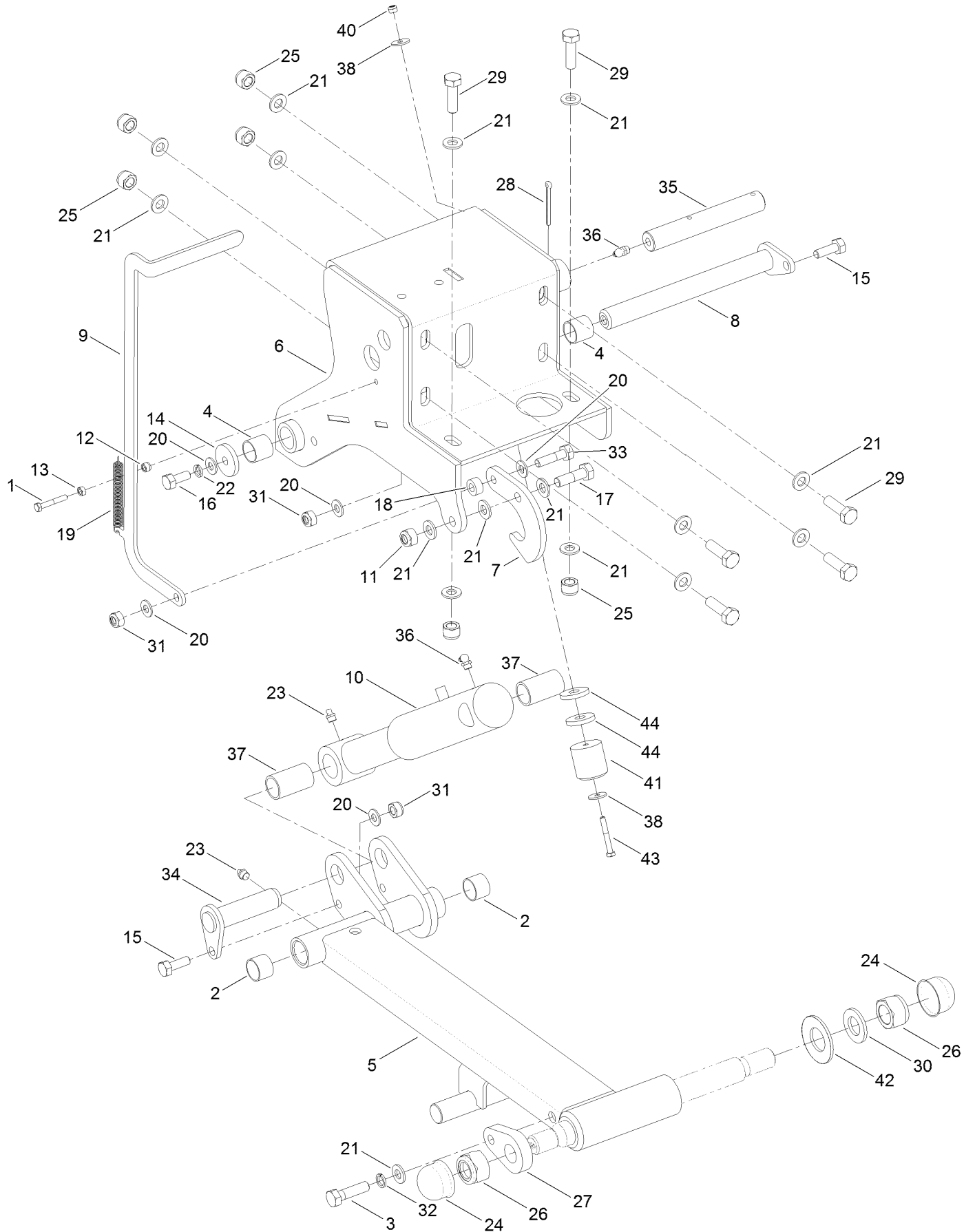


Front Arm Assembly (continued)

<i>Ref.</i>	<i>Part Number</i>	<i>Qty.</i>	<i>Description</i>	<i>Ref.</i>	<i>Part Number</i>	<i>Qty.</i>	<i>Description</i>
1	111-1390-03	1	Arm-Front, RH	26	09392	2	Screw-HH
2	111-4100-03	1	Arm-Front, LH	27	09395	2	Screw-HH
3	63-11-010	2	Bolt-HH	28	09394	4	Bolt
4	74-07-028	4	Bushing	29	ZDH1P050U	8	Screw-HH
5	876066	4	Bushing	30	ZDH1E016U	4	Screw-HH
6	111-8096-03	1	Frame-Pivot, Arm	32	09491	20	Washer-Plain
7	111-7921-01	1	Plate-Latch, RH	33	09555	8	Washer
8	111-7922-01	1	Plate-Latch, LH	34	09644	4	Washer-Spring
9	111-1998	2	HYD Lift Cylinder ASM	35	ZWQ1J000U	20	Washer-Plain
9:1	111-2561	2	Fitting-Grease ●	36	HY09485	6	Washer-Plain
9:2	111-3471	1	Seal Kit ●	37	09470	4	Washer
10	111-3336	2	Bar-Switch, Proximity	38	09480	2	Washer-Lock
11	10-11-100	4	Cap-Nut	39	70-13-077	2	Decal-Danger
12	ZNN1J000U	10	Nut-Hex, NI	40	70-13-072	1	Decal
13	09650	2	Nut-Hex, Nyloc	41	111-3248	2	Pin-Pivot, Front Arm
14	09456	8	Nut	42	111-3676	2	Spacer-Switch, Proximity
15	ZNN1X000U	4	Nut-Hex, Nyloc	43	ZDH1L040U	2	Screw-HH
16	74-11-002	2	Pin-Split	44	09599	2	Washer-Lock
17	63-01-185W	2	Retainer-Pin	45	111-4157	2	Stop-Bump
18	74-11-001	4	Pin	46	09397	2	Bolt
19	111-3366	2	Plate-Retaining, Bush	47	111-6822-03	2	Deflector-Arm, Mounted
20	111-4093-03	1	Mount-Latch, Plate	48	09703	4	Bolt-HH
21	105-0023	2	Switch-Proximity	49	09364	2	Screw-HH
22	922112	2	Roller	50	09262	12	Washer
23	ZCS1J025U	2	Screw-HSH	51	09544	6	Nut-Nyloc
24	10-06-030	2	Seal-Dowty	52	63-07-027	2	Zerk-Grease, BSP (90 DEG)
25	10-06-085	2	Adaptor				

● Not illustrated

Center Arm Assembly

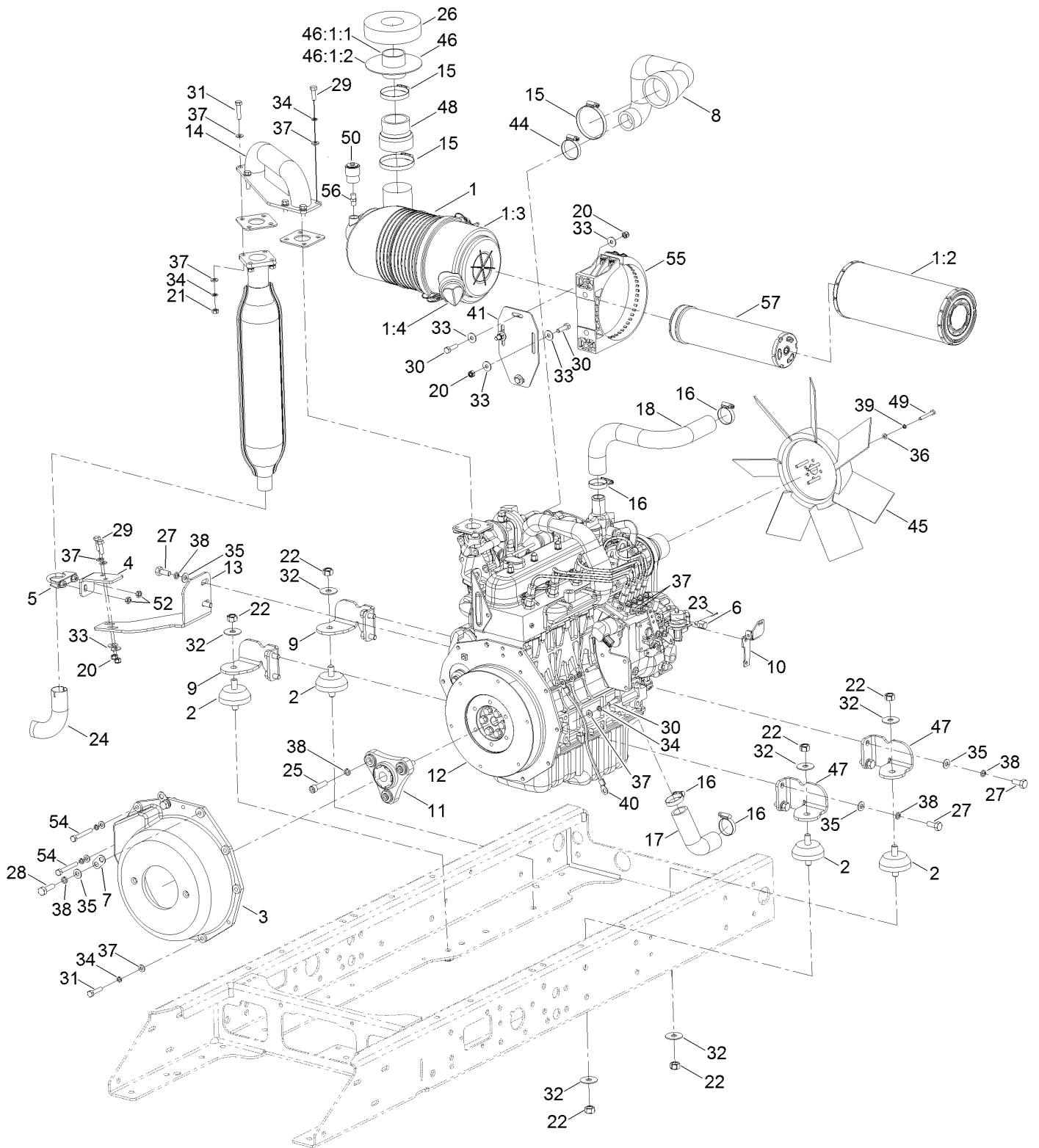


Center Arm Assembly (continued)

<i>Ref.</i>	<i>Part Number</i>	<i>Qty.</i>	<i>Description</i>	<i>Ref.</i>	<i>Part Number</i>	<i>Qty.</i>	<i>Description</i>
1	ZBH1F040U	1	Screw-HH	22	09480	1	Washer-Lock
2	74-07-028	2	Bushing	23	10-11-017	2	Fitting-Straight
3	ZBH1L045U	1	Screw-HH	24	10-11-100	2	Cap-Nut
4	876066	2	Bushing	25	ZNN1L000U	6	Nut-Nyloc
5	111-5158-03	1	Center Arm ASM	26	ZNN1X000U	2	Nut-Hex, Nyloc
6	111-5190-03	1	Center Arm Mount ASM	27	63-01-185W	1	Retainer-Pin
7	111-3099-01	1	Latch-Head, Center	28	74-11-003	1	Pin-Split
8	111-3248	1	Pin-Pivot, Front Arm	29	ZDH1L040U	6	Screw-HH
9	111-3122-01	1	Handle-Head, Center	30	09555	1	Washer
10	910109W	1	Cylinder-Lift	31	ZNN1J000U	3	Nut-Hex, NI
10:99	50-06-013	1	Seal Kit ●	32	09599	1	Washer-Lock
11	09650	1	Nut-Hex, Nyloc	33	09611	1	Bolt-HH
12	09544	1	Nut-Nyloc	34	74-05-108	1	Pin-Wing, Arm
13	09437	1	Nut	35	111-5212	1	Pin-Plain
14	111-3366	1	Plate-Retaining, Bush	36	63-07-027	2	Zerk-Grease, BSP (90 DEG)
15	09392	2	Screw-HH	37	25-07-007	2	Bushing-Tension
16	09395	1	Screw-HH	38	09263	2	Washer
17	63-11-010	1	Bolt-HH	40	09438	1	Nut-Nyloc
18	111-3457	1	Spacer-Latch, Center Head	41	61-07-003	1	Buffer-Rubber
19	111-3329	1	Spring-Latch, Center Head	42	767815	1	Washer-Belleville
20	ZWQ1J000U	5	Washer-Plain	43	ZDH1F050U	1	Setscrew
21	HY09485	16	Washer-Plain	44	63-01-115	2	Washer

● Not illustrated

Engine and Muffler Assembly



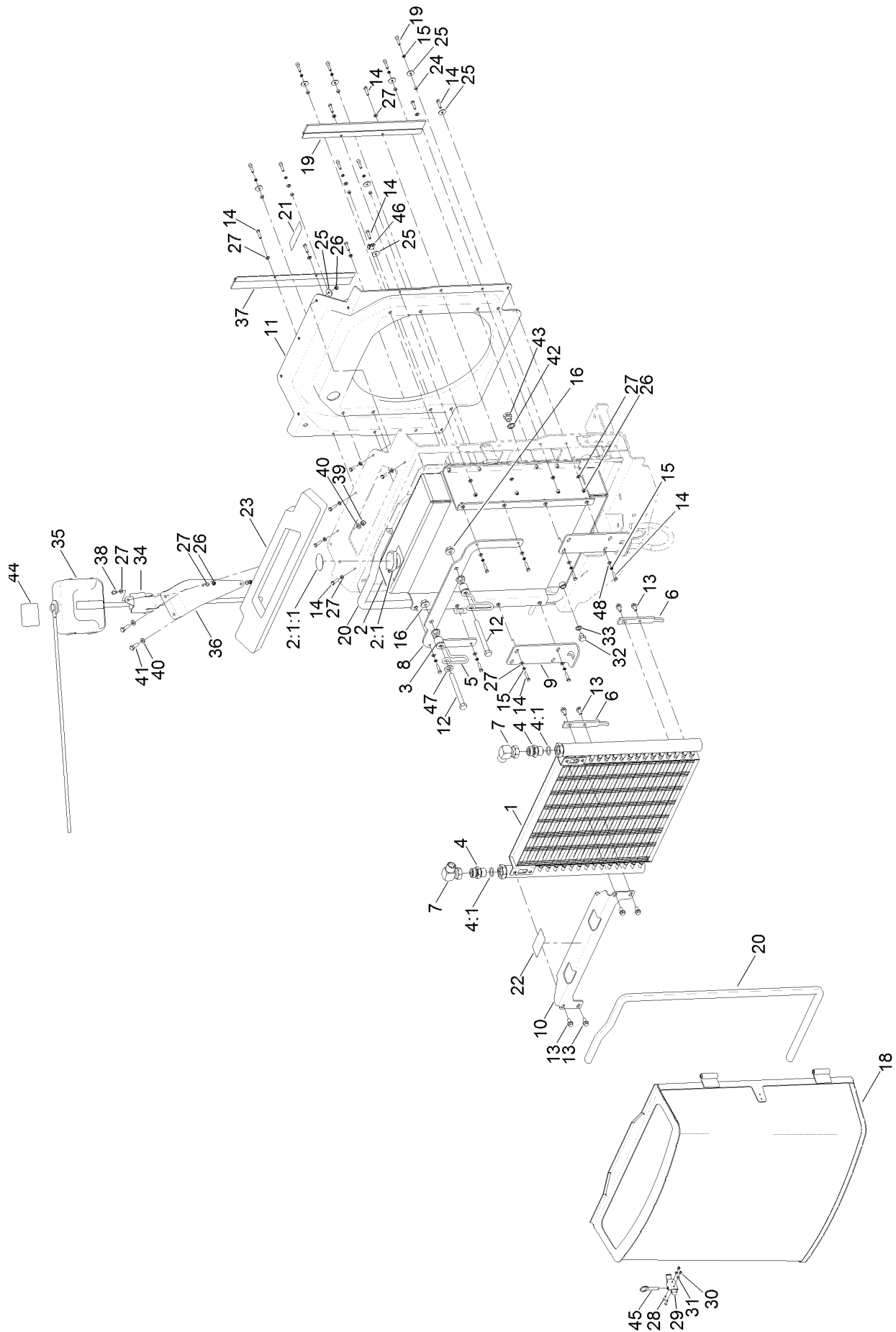
Engine and Muffler Assembly (continued)

<i>Ref.</i>	<i>Part Number</i>	<i>Qty.</i>	<i>Description</i>	<i>Ref.</i>	<i>Part Number</i>	<i>Qty.</i>	<i>Description</i>
1	110-8917	1	Air Cleaner ASM	28	111-0597	2	Screw-HH
1:2	108-3812	1	Filter-Air	29	03162	6	Screw-HH
1:3	93-5986	1	Cover ASM	30	09369	2	Screw-HH
1:4	87-9400	1	Valve-Vacuator	31	ZDH1H035U	8	Screw-HH
1:5	285-17	1	Plug-Pipe ●	32	09283	8	Washer
2	910816	4	Isomount-Engine	33	09267	10	Washer-Plain
3	922851	1	Housing-Bell	34	03469	16	Washer-Spring
4	111-9825-03	1	Bracket-Exhaust, Lower	35	ZWQ1J000U	12	Washer-Plain
5	111-9717	1	Clamp-Exhaust	36	ZWP1F000U	4	Washer-Plain
6	111-3298	1	Pivot-Throttle, Boss	37	ZWP1H000U	24	Washer-Plain
7	74-01-327	2	Bracket-Loom, Tie	38	09480	15	Washer-Lock
8	111-8478	1	Hose-Inlet, Turbo	39	09474	4	Washer-Spring
9	111-3043-03	2	Bracket-Mount, Engine	40	70-09-023	1	Cable-Earth
10	111-3299-03	1	Bracket-Throttle	41	111-8416-03	1	Bracket Air Cleaner
11	111-2556	1	Coupling	44	924437	1	Clamp-Hose
12	111-7496	1	Engine-Kubota	45	110-8852	1	Fan-Cooling
13	111-9824-03	1	Bracket-Exhaust, Lower	46	111-9176-03	1	Air Intake ASM
14	111-8413	1	Flange, Exhaust	46:1		1	Air Intake ASM ●■
15	65-07-042	3	Clip-Hose	46:1:1	111-9174	1	Tube, Intake-Air
16	924438	4	Clamp-Hose	46:1:2	111-9175	1	Plate, Intake-Air
17	111-8256	1	Hose-Radiator, Bottom	47	111-7141-03	2	Bracket-Mount, Engine
18	910921	1	Hose-Top	48	111-9156	1	Reducer, Intake-Air
20	09441	6	Nut-Hex, NI	49	09568	4	Bolt-HH
21	ZNH1H000U	4	Nut-Hex	50	93-9164	1	Indicator-Mini
22	09231	8	Nut-Hex	52	ZNB1H000U	2	Nut
23	70-07-107	1	Pin-Split	54	09371	2	Bolt
24	940213	1	Tail Pipe-Exhaust	55	111-5017	1	Strap-Cleaner, Air
25	111-3806	3	Screw-HSH	56	94-1416	1	Adapter-Indicator
26	111-9177	1	Pad-Intake, Air	57	108-3813	1	Element-Safety, Air Cleaner
27	50-11-005	10	Screw-HH				

● Not illustrated

■ Not serviced separately

Radiator and Oil Cooler Assembly

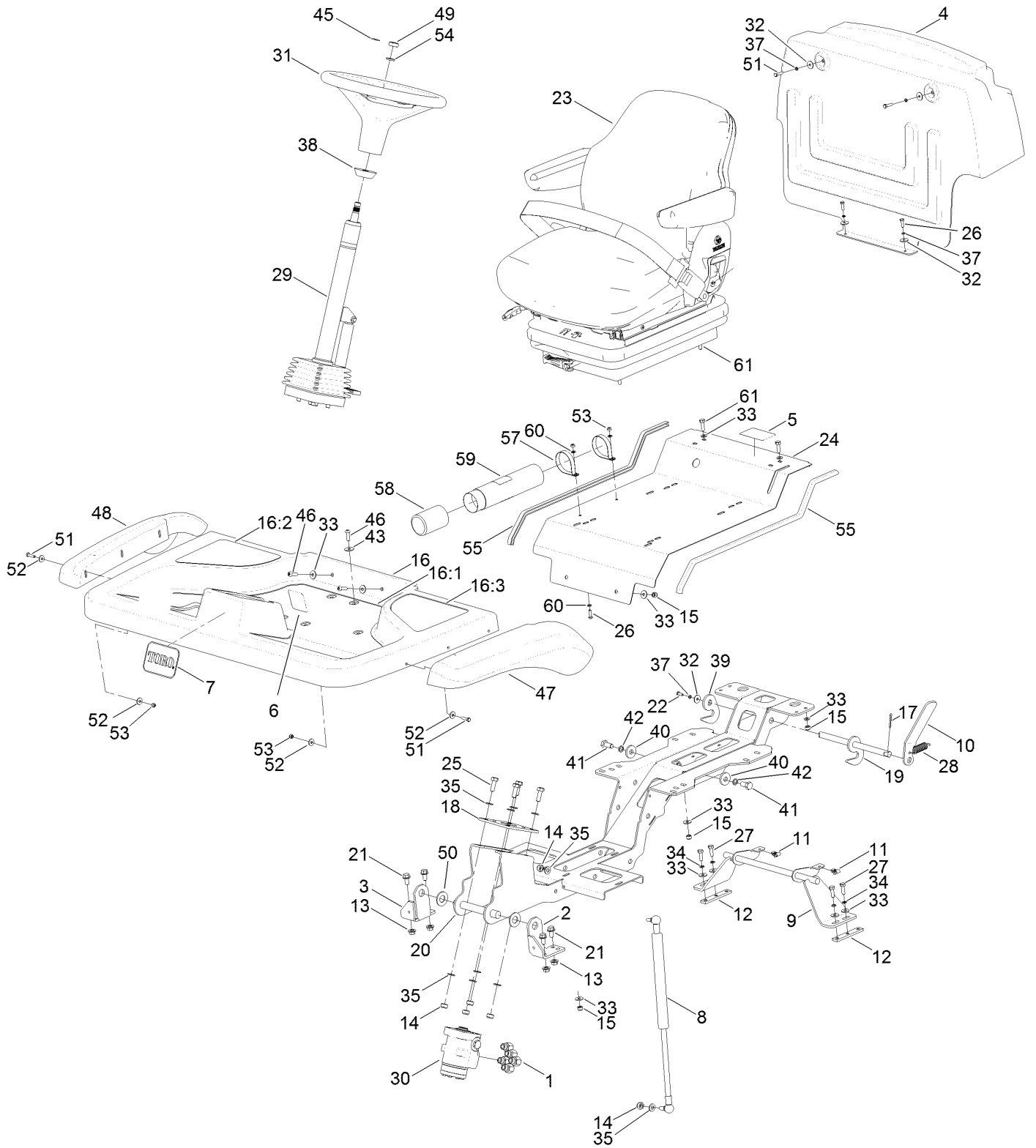


Radiator and Oil Cooler Assembly (continued)

<i>Ref.</i>	<i>Part Number</i>	<i>Qty.</i>	<i>Description</i>	<i>Ref.</i>	<i>Part Number</i>	<i>Qty.</i>	<i>Description</i>
1	110-0485	1	Cooler-Oil	25	09262	17	Washer
2	111-7999	1	Radiator	26	09438	15	Nut-Nyloc
2:1	111-9475	1	Cap-Radiator	27	09472	25	Washer-Plain
2:1:1	117-3276	1	Decal-Danger ●	28	111-3473	2	Screw-Button
3	111-9283	2	Spacer-Cooler, Oil (Latch)	29	115-1554	1	Latch-Draw
4	70-06-050	2	Adaptor-Boss	30	09657	2	Nut-Insert, NI
4:1	70-06-168	1	Seal-O Ring	31	09658	2	Washer
5	104-5429	2	Clamp-Form, Wire	32	30-06-200	1	Plug-HYD
6	104-5460-03	2	Plate-Mount, Oil Cooler	33	111-3925	1	Washer-Fiber
7	111-4443	2	Elbow-BSP	34	108-9930-03	1	Bracket-Bottle
8	111-8011-03	1	Plate-Catch	35	111-7452	1	Tank-Reserve, Coolant
9	111-8226-03	2	Bracket-Cooler, Oil	36	111-9079-03	1	Plate-Bottle, Overflow
10	111-8440-03	1	Plate-Latch, Oil Cooler	37	111-9547	2	Brush Strip
11	134-2745	1	Fan Cowl	38	09363	2	Screw-HH
12	325-38	2	Screw-HH	39	09441	2	Nut-Hex, NI
13	3234-14	8	Screw-HHF	40	09475	4	Washer
14	09364	21	Screw-HH	41	03162	2	Screw-HH
15	09474	16	Washer-Spring	42	111-9626	1	Washer-Fiber
16	32128-49	4	Nut-HHF	43	50-06-207	1	Plug
18	111-8470-03	1	Screen-Rear	44	111-9647	1	Decal
19	ZCS1F025U	8	Screw-HSH	45	115-1556	1	Pin-Ball, Detent
20	115-4360	2	Seal-Bulb	46	70-07-109	1	Clip-Cable
21	111-3902	1	Decal-Engine, Fan/Radiator	47	HY09485	2	Washer-Plain
22	950889	1	Decal-Warning	48	09261	4	Washer-Plain
23	111-9460	1	Seal-Duct	99	92-2379	2	Clamp-Hose ●
24	111-9157	8	Bush				

● Not illustrated

Seat Pan Assembly

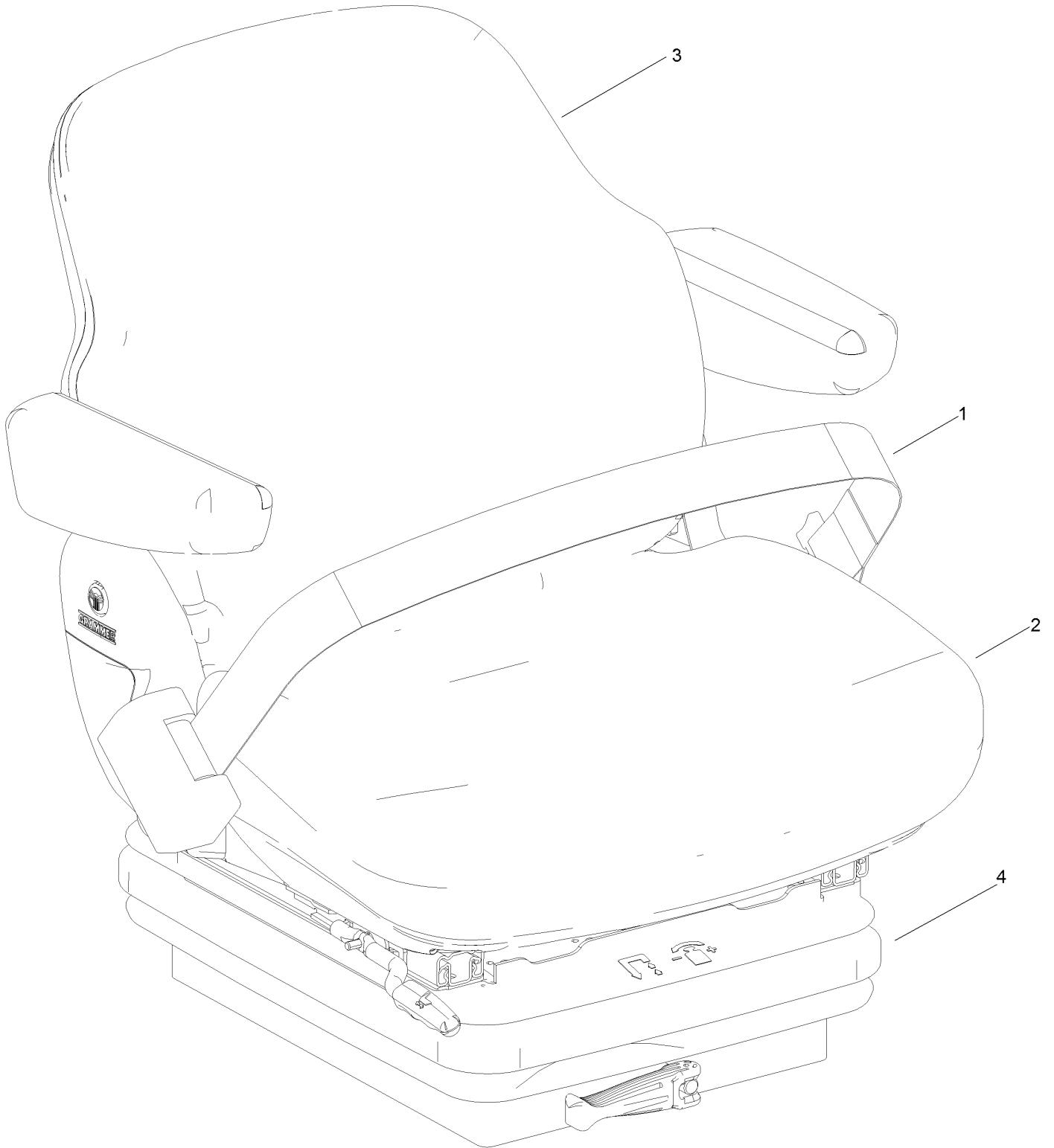


Seat Pan Assembly (continued)

<i>Ref.</i>	<i>Part Number</i>	<i>Qty.</i>	<i>Description</i>	<i>Ref.</i>	<i>Part Number</i>	<i>Qty.</i>	<i>Description</i>
1	111-3509	5	Adaptor	30	111-7464	1	Valve-Control, Steering
2	111-3243-03	1	Bracket-Platform Pivot, LH	30:99	94-4095	1	Centering Spring Kit ●
3	111-2665-03	1	Bracket-Platform Pivot, RH	30:99	130-8358	1	Seal Kit ●
4	111-8497	1	Bulkhead	31	98-1471	1	Wheel-Steering
5	111-3566	1	Decal-Latch, Platform	32	09263	5	Washer
6	111-3562	1	Decal	33	09267	22	Washer-Plain
7	67-1300	1	Decal	34	03469	4	Washer-Spring
8	111-9857	1	Gas Strut	35	ZWQ1J000U	10	Washer-Plain
9	111-3140-03	1	Bar-Latch	37	09474	5	Washer-Spring
10	111-3269-03	1	Lever-Latch, Platform	38	93-5429	1	Collar-Foam
11	410076	2	Nut	39	111-3268	1	Latch-Plate, Platform
12	111-3281	2	Bar-Nut	40	63-01-115	2	Washer
13	63-11-015	4	Nut-Hex	41	09415	2	Screw-HH
14	ZNN1J000U	6	Nut-Hex, NI	42	09599	2	Washer-Lock
15	09441	14	Nut-Hex, NI	43	09270	6	Washer-Plain
16	111-9744	1	Operator Platform ASM	45	98-1459	1	Decal
16:1	111-3506	1	Mat-Floor	46	ZHS1H025U	8	Screw-HSBH
16:2	111-3507	1	Mat-Side, LH	47	111-4921	1	Mudguard-LH
16:3	111-3508	1	Mat-Side, RH	48	111-4922	1	Mudguard-RH
17	70-11-004	1	Pin-Split	49	09827	1	Nut - Jam
18	111-2899-03	1	Plate-Mount, Pump (Steering)	50	09499	2	Washer
19	111-3266	1	Latch-Platform	51	09364	2	Screw-HH
20	111-9565-03	1	Support-Platform	52	09262	12	Washer
21	63-11-018	4	Screw-Durloc	53	09438	8	Nut-Nyloc
22	09362	1	Screw-HH	54	HY4200	1	Washer-Spring
23	134-0260	1	Seat ASM (Incl. Seat Belt)	55	50-08-001	2	Edging-Rubber
24	111-3069-03	1	Pan-Seat	57	107-1865	2	R-Clamp
25	09392	4	Screw-HH	58	104-7048	1	Cap-Housing
26	09363	10	Screw-HH	59	104-7050	1	Tube-Manual
27	03162	2	Screw-HH	60	09472	4	Washer-Plain
28	70-07-063	1	Spring-Extension	61	09368	4	Screw-HH
29	111-6756	1	Steering Column ASM	99	994808	1	Excluder-Draught ●

● Not illustrated

Seat Assembly No. 134-0260

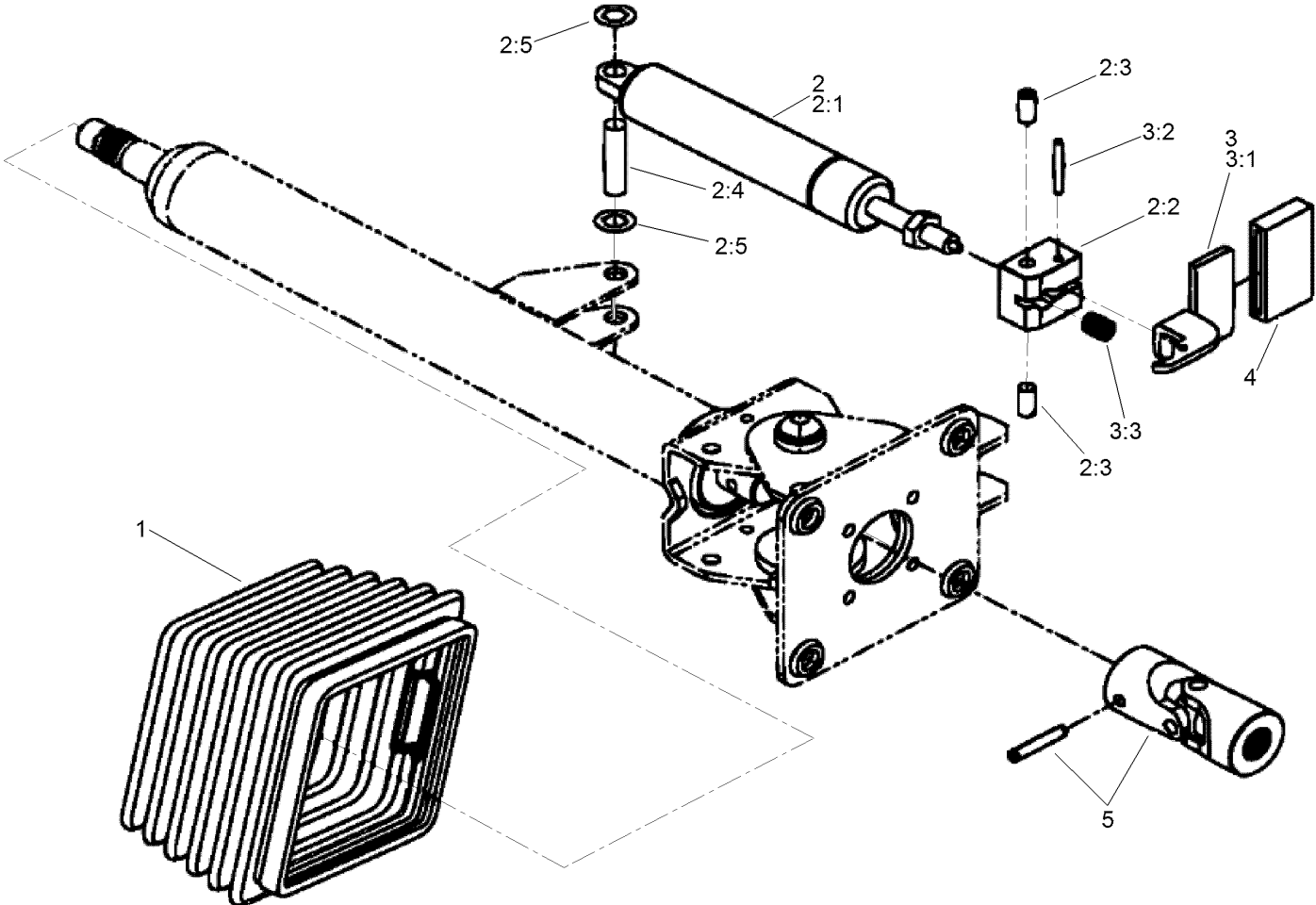


Seat Assembly No. 134-0260 (continued)

<i>Ref.</i>	<i>Part Number</i>	<i>Qty.</i>	<i>Description</i>	<i>Ref.</i>	<i>Part Number</i>	<i>Qty.</i>	<i>Description</i>
1	111-4936	1	Retractable Seat Belt ASM	4	953820	1	Seat Gaiter
2	111-5543	1	Cushion-Seat	99	111-5542	1	Seat Switch Kit ●
3	111-5544	1	Cushion-Backrest				

● Not illustrated

Steering Column Assembly No. 111-6756



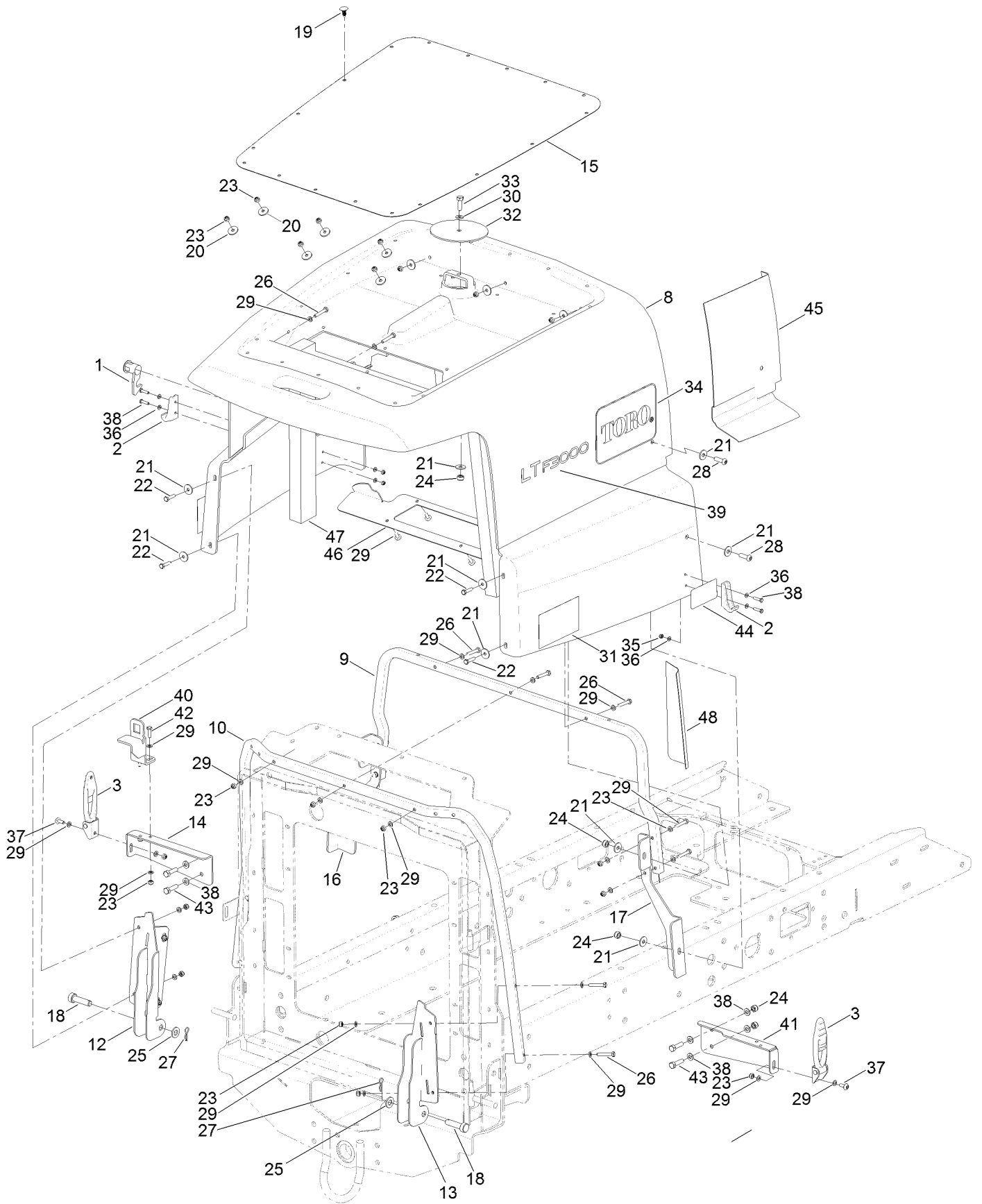
Steering Column Assembly No. 111-6756 (continued)

<i>Ref.</i>	<i>Part Number</i>	<i>Qty.</i>	<i>Description</i>	<i>Ref.</i>	<i>Part Number</i>	<i>Qty.</i>	<i>Description</i>
1	110-6462	1	Bellows-Rubber	3	110-6464	1	Pedal Service Kit
2	110-6463	1	Cylinder Service Kit	3:1		1	Pedal ■
2:1		1	Cylinder-Gas ■	3:2		1	Pin ■
2:2		1	Block-Pedal ■	3:3		1	Spring ■
2:3		2	Bolt ■	4	110-6465	1	Cover-Pedal ●
2:4		1	Pin ■	5	111-7314	1	Universal Joint Kit ●
2:5		2	Washer-Lock ■				

● Not illustrated

■ Not serviced separately

Engine Cover Assembly

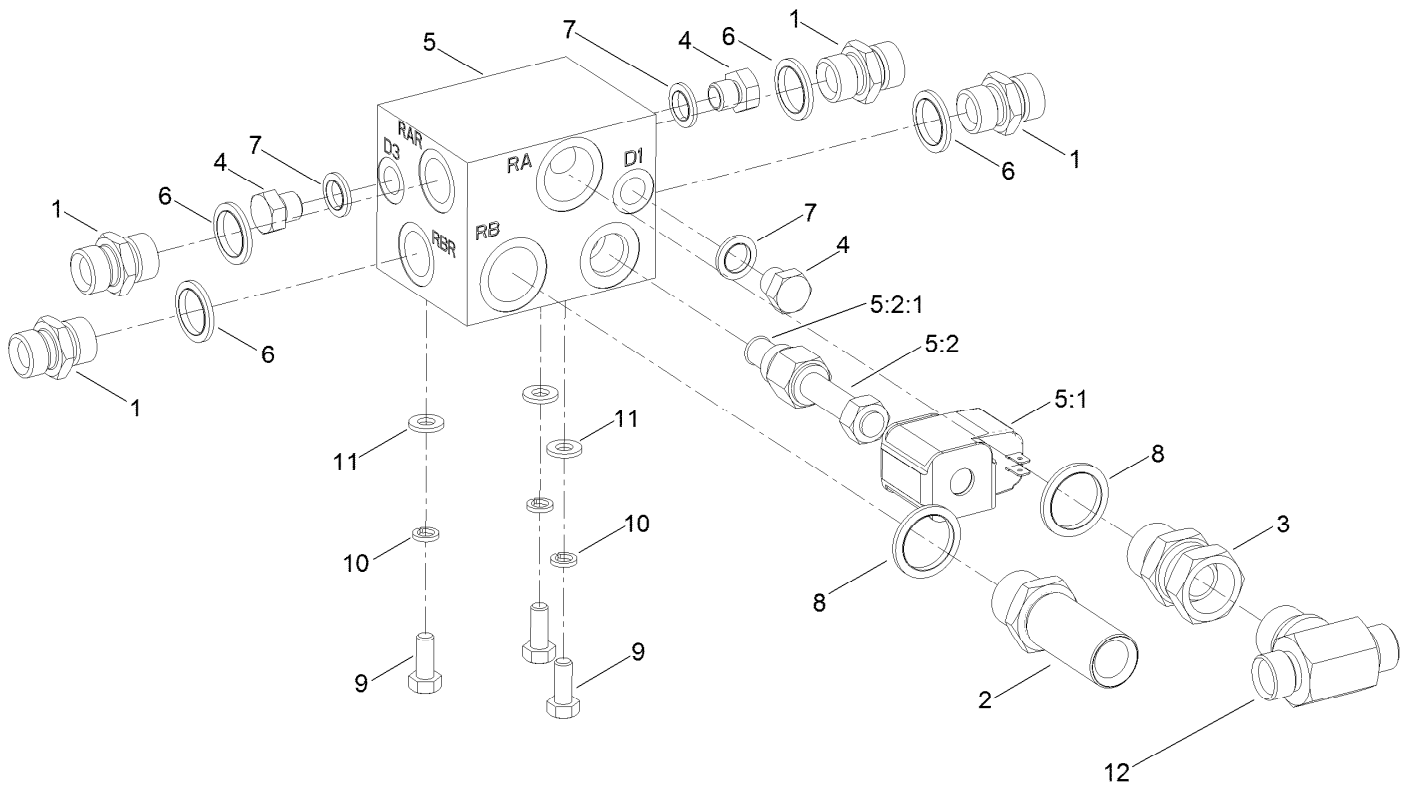


Engine Cover Assembly (continued)

<i>Ref.</i>	<i>Part Number</i>	<i>Qty.</i>	<i>Description</i>	<i>Ref.</i>	<i>Part Number</i>	<i>Qty.</i>	<i>Description</i>
1	98-5398	1	Latch	28	ZHS1H025U	4	Screw-HSBH
2	103-2897	2	Latch-Catch	29	09472	37	Washer-Plain
3	103-2898	2	Latch-Rubber	30	ZWP1H000U	9	Washer-Plain
8	111-8495	1	Cover-Engine	31	94-8099	2	Decal
9	111-9053-03	1	Tube-Front, Cover Frame	32	111-3557-03	1	Cover-Air, Intake
10	111-9054-03	1	Tube-Rear, Cover Frame	33	03162	1	Screw-HH
12	111-9058-03	1	Hinge-Cover, LH	34	111-3728	2	Decal
13	111-9060-03	1	Hinge-Cover, RH	35	09430	4	Nut-Nyloc
14	111-9103-03	1	Bracket-Cover, Latch	36	09470	8	Washer
15	111-9117-03	1	Screen-Cover, Engine	37	09784	8	Screw-Soc, HD
16	111-9331-03	1	Mount-Cover, Front (LH)	38	ZDH1E020U	4	Screw-HH
17	111-9332-03	1	Mount-Cover, Front (RH)	39	111-9400	2	Decal
18	111-9178	2	Pin-Hinge, Cover	40	111-9464-03	1	Bracket-Cover, Lock
19	117-2382	18	Plug-Plastic	41	111-9468-03	1	Bracket-Cover, Latch (RH)
20	09263	13	Washer	42	09363	2	Screw-HH
21	09267	9	Washer-Plain	43	09369	4	Screw-HH
22	09364	4	Screw-HH	44	950889	1	Decal-Warning
23	09438	28	Nut-Nyloc	45	111-9481	1	Heat Shield
24	09441	9	Nut-Hex, NI	46	111-9523-03	1	Plate-Cover, Seal
25	HY09485	2	Washer-Plain	47	111-9524	2	Seal-Frame
26	09645	14	Setscrew-HH	48	111-9536	1	Heat-Shield, Lower
27	H192040	2	Clip-R	99	111-7488	3	Seal-Cover, Screen ●

● Not illustrated

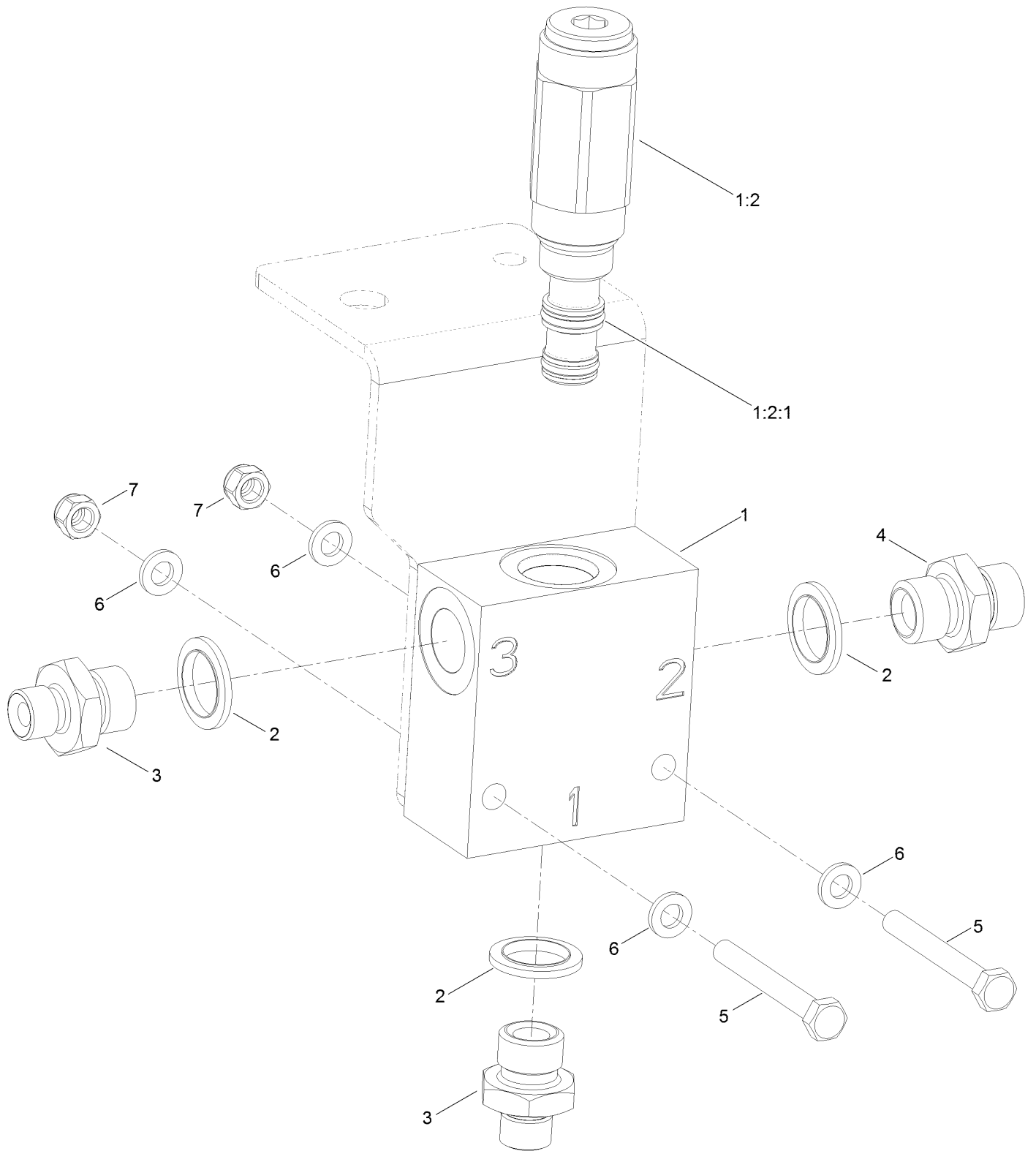
Subsystem Hydraulic Manifold Assembly



Subsystem Hydraulic Manifold Assembly (continued)

<i>Ref.</i>	<i>Part Number</i>	<i>Qty.</i>	<i>Description</i>	<i>Ref.</i>	<i>Part Number</i>	<i>Qty.</i>	<i>Description</i>
1	10-06-078	4	Adaptor-BSPP	5:2:1	910642	1	Seal Kit
2	111-7494	1	Adaptor-BSP	6	10-06-032	4	Seal-Dowty
3	20-06-202	1	Adaptor	7	10-06-030	3	Seal-Dowty
4	30-06-200	3	Plug-HYD	8	10-06-033	2	Seal-Dowty
5	924687	1	Manifold-Transmission, Rear	9	09368	3	Screw-HH
5:1	910627	1	Coil-Solenoid	10	03469	3	Washer-Spring
5:2	924688	1	Valve-Solenoid	11	ZWP1H000U	3	Washer-Plain
				12	940607	1	Tee-BSPP

Valve Control Assembly

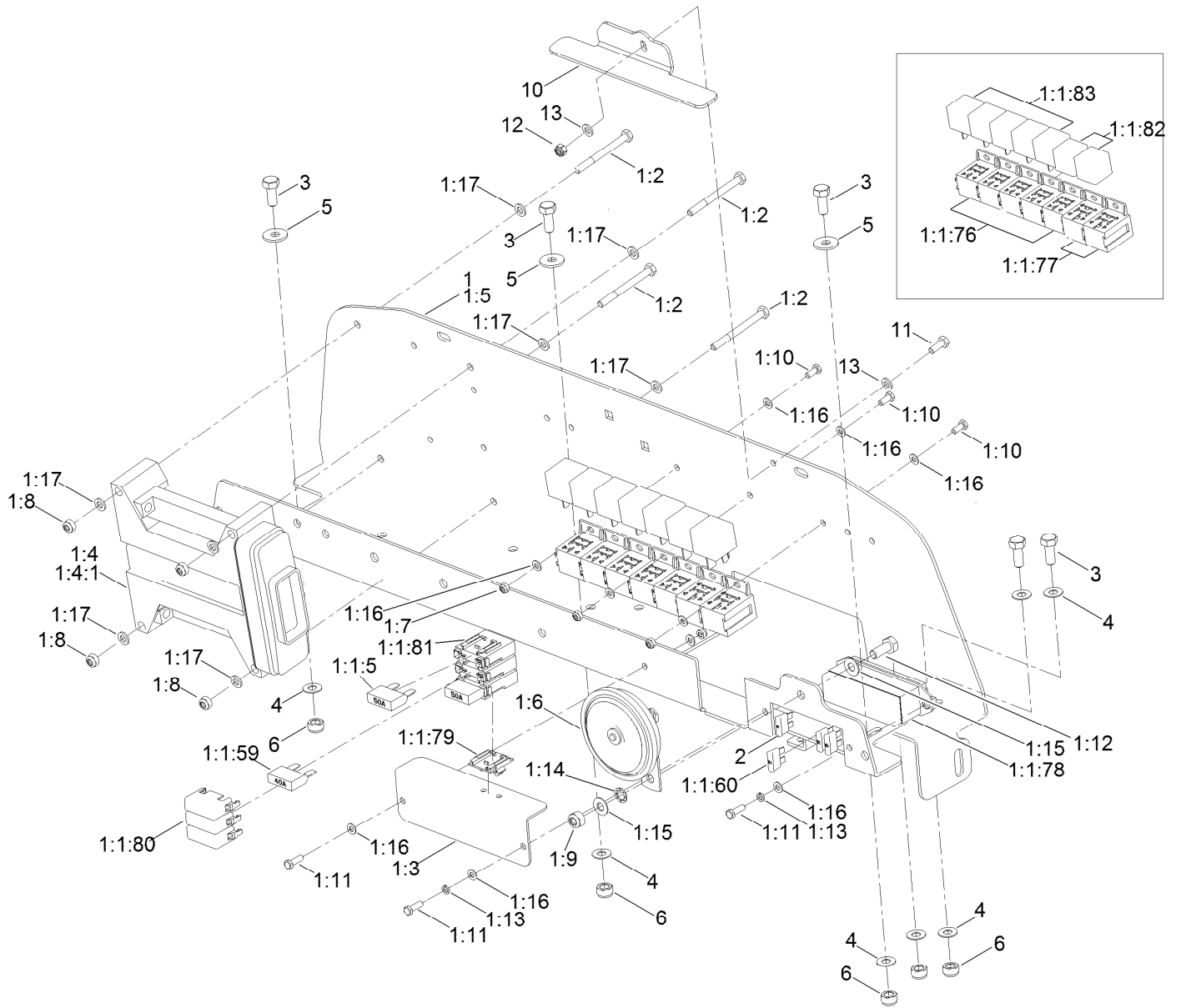


Valve Control Assembly (continued)

<i>Ref.</i>	<i>Part Number</i>	<i>Qty.</i>	<i>Description</i>	<i>Ref.</i>	<i>Part Number</i>	<i>Qty.</i>	<i>Description</i>
1	111-8428	1	Valve-Control, Brake	3	50-06-009	2	Adaptor-BSP
1:1	111-8441	1	Housing-Valve, 3-Way ●	4	10-06-042	1	Adaptor-BSPP
1:2	111-9171	1	Valve, Control-Pressure	5	ZDH1F050U	2	Setscrew
1:2:1	105-9164	1	Seal Kit	6	09472	4	Washer-Plain
2	10-06-031	3	Seal-Dowty	7	09438	2	Nut-Nyloc

● Not illustrated

Loom Kit Assembly



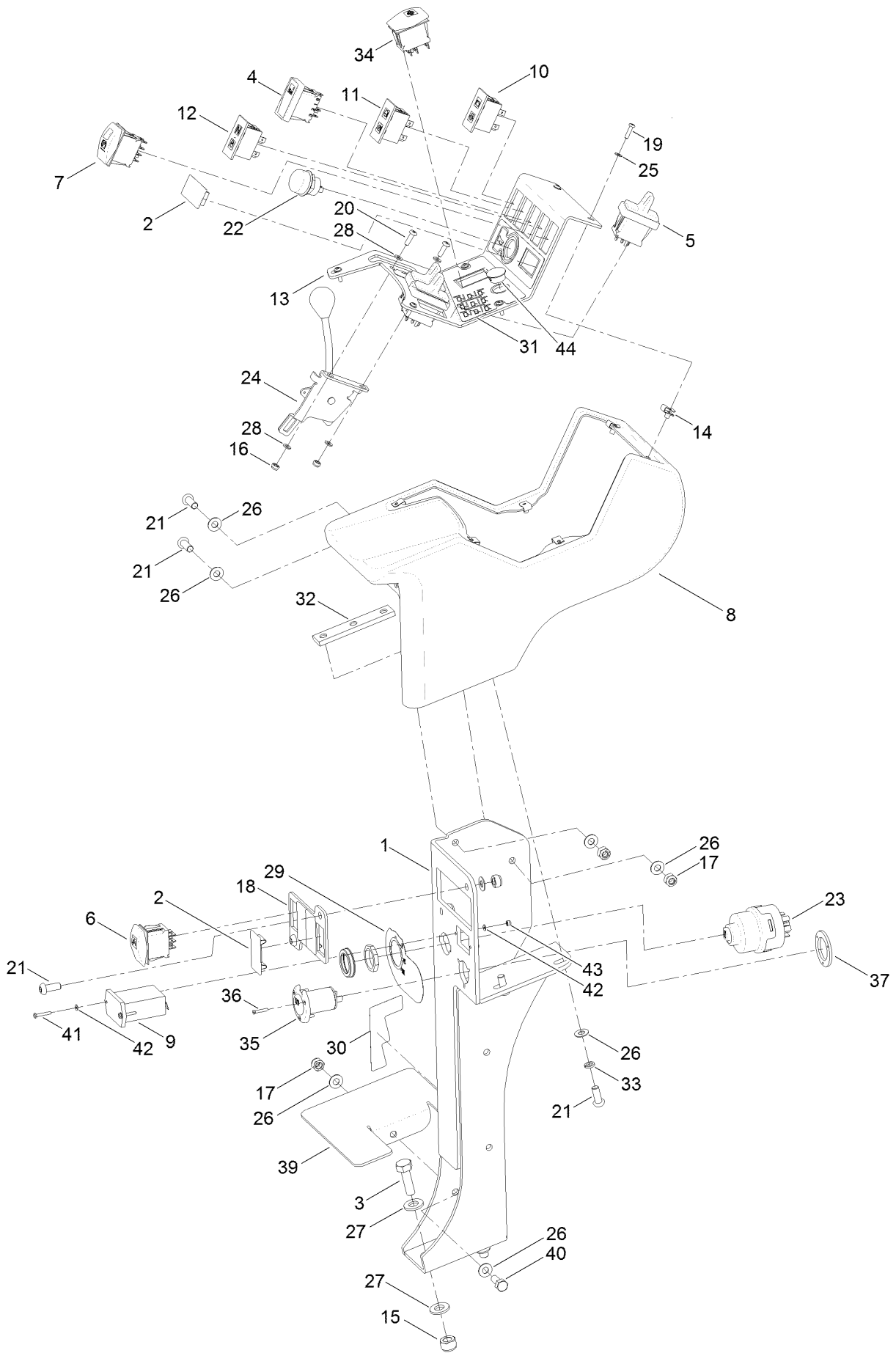
Loom Kit Assembly (continued)

<i>Ref.</i>	<i>Part Number</i>	<i>Qty.</i>	<i>Description</i>	<i>Ref.</i>	<i>Part Number</i>	<i>Qty.</i>	<i>Description</i>
1		1	Loom Kit ■	1:9	09441	1	Nut-Hex, NI
1:1	111-9115	1	Harness-Main ●	1:10	ZDH1E012U	3	Screw-HH
1:1:5	995714	2	Fuse-50A	1:11	ZDH1E016U	3	Screw-HH
1:1:34	111-0348	2	Diode ●	1:12	09368	1	Screw-HH
1:1:59	111-2898	1	Fuse-40A	1:13	09644	2	Washer-Spring
1:1:60	70-09-026	3	Fuse-10A	1:14	09476	1	Washer-Shakeproof
1:1:76	111-0360	6	Base-Relay ●	1:15	09475	2	Washer
1:1:77	111-0361	2	Base-Relay, 70A ●	1:16	09470	10	Washer
1:1:78	70-09-096	1	Box-Fuse	1:17	09472	8	Washer-Plain
1:1:79	111-0303	1	Bracket-Maxifuse ●	1:99	950868	2	Diode Assembly ●
1:1:80	111-0302	3	Cover	1:99	111-6745	1	Harness-Manifold, Cutters ●
1:1:81	111-0283	3	Holder-Maxifuse ●	2	70-09-151	1	Fuse-15A
1:1:82	924625	2	Relay-70A	3	09368	2	Screw-HH
1:1:83	111-0336	5	Relay-30A	4	09475	7	Washer
1:2	09703	4	Bolt-HH	5	09267	3	Washer-Plain
1:3	111-4842-03	1	Bracket-Fuse	6	09441	5	Nut-Hex, NI
1:4		1	Flail Controller ASM ■	7	03162	3	Screw-HH ●
1:4:1	111-7937	1	Control Unit, Lt/Ct	10	134-3682-03	1	Bracket, Relay
1:5	111-3037-03	1	Plate-Base, Electrical	11	09362	1	Screw-HH
1:6	70-09-108	1	Horn ASM	12	09438	1	Nut-Nyloc
1:7	09430	4	Nut-Nyloc	13	09472	2	Washer-Plain
1:8	09438	4	Nut-Nyloc	99	HY3966	30	Tie-Cable ●

● Not illustrated

■ Not serviced separately

Control Arm Assembly

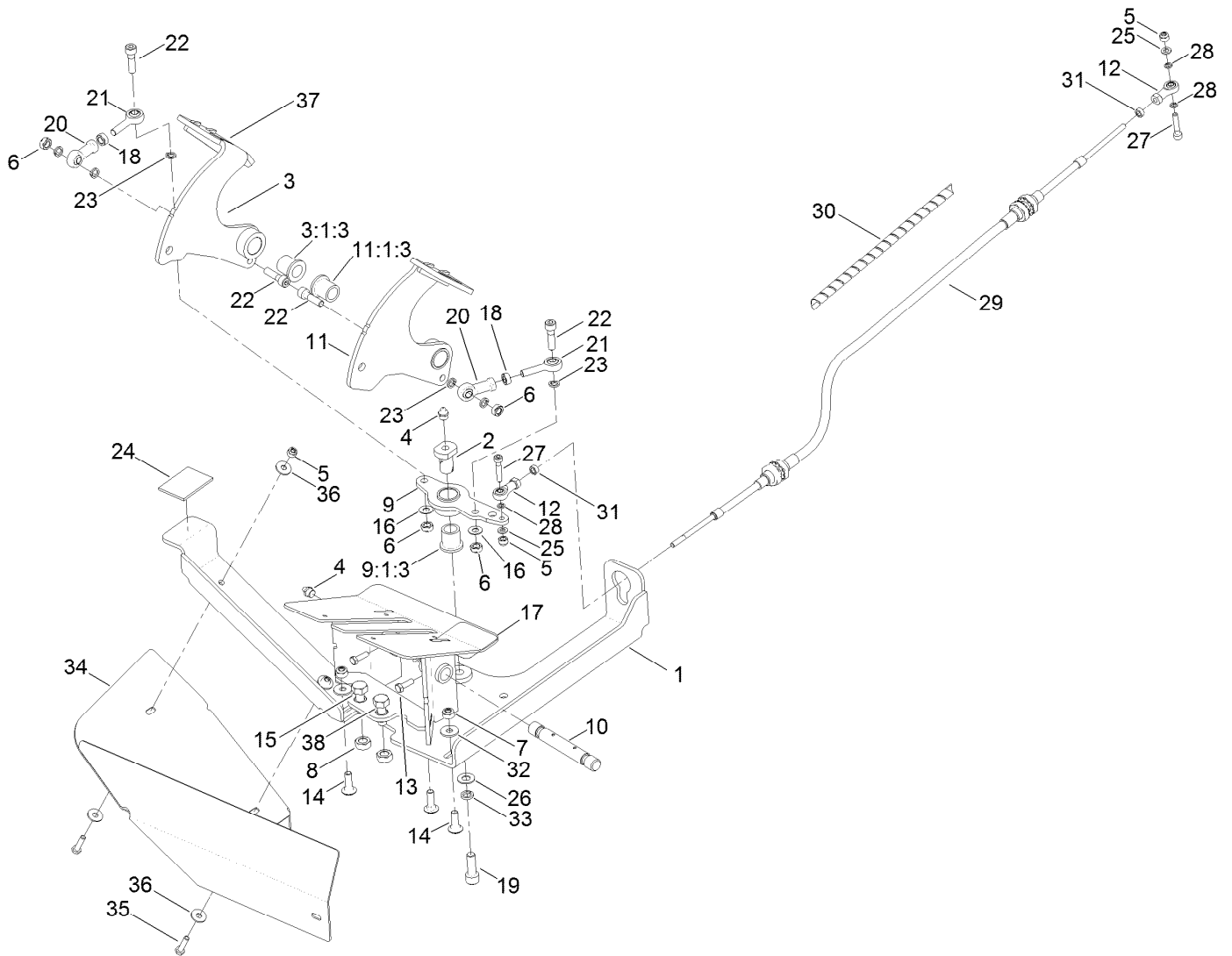


Control Arm Assembly (continued)

<i>Ref.</i>	<i>Part Number</i>	<i>Qty.</i>	<i>Description</i>	<i>Ref.</i>	<i>Part Number</i>	<i>Qty.</i>	<i>Description</i>
1	111-8496-03	1	Control Arm ASM	23:1	74-09-017	1	Key-Ignition ●
2	111-2337	4	Blank-Switch	23:2	74-09-010	1	Switch-Cover ●
3	09394	2	Bolt	24	111-7090	1	Cable-Throttle
4	111-7490	1	Switch-Cutters	25	09658	6	Washer
5	111-2956	3	Switch-Lift	26	09475	10	Washer
6	111-2451	1	Switch-Limited	27	ZWQ1J000U	4	Washer-Plain
7	111-2254	1	Switch-Parking Brake, On-None-On	28	09470	4	Washer
8	111-3004	1	Pod-Control	29	111-3344	1	Decal-Switch, Ignition
9	75-6820	1	Hourmeter	30	111-3658	1	Decal-Latch, Cutterhead
10	111-2333	1	Indicator-Illuminated	31	134-1807	1	Decal-Lift Switches & Engine Control
11	111-2334	1	Indicator-Illuminated	32	111-3281	1	Bar-Nut
12	111-3026	1	Indicator-Illuminated	33	03469	2	Washer-Spring
13	111-2963-03	1	Instrument-Panel	34	111-8021	1	Switch-Lock
14	111-3079	6	U-Nut	35	111-2888	1	Socket
15	09447	2	Nut	36	111-3539	3	Screw-Slot, Countersunk
16	09430	2	Nut-Nyloc	37	111-6026	1	Bracket-Securing
17	09441	5	Nut-Hex, NI	39	111-5239-03	1	Plate-Filler
18	111-8494-03	1	Plate-Switch	40	09368	1	Screw-HH
19	111-3473	6	Screw-Button	41	09696	2	Setscrew
20	111-3381	2	Screw-HSBH	42	HY09697	4	Washer-Plain
21	ZHS1H020U	6	Screw-HSBH	43	HY09698	2	Nut-Nyloc
22	924618	1	Switch-Horn, Push	44	130-8439	1	Plug-Dome
23	74-09-009	1	Switch-Ignition	99	98-9321	1	Ring-Key ●

● Not illustrated

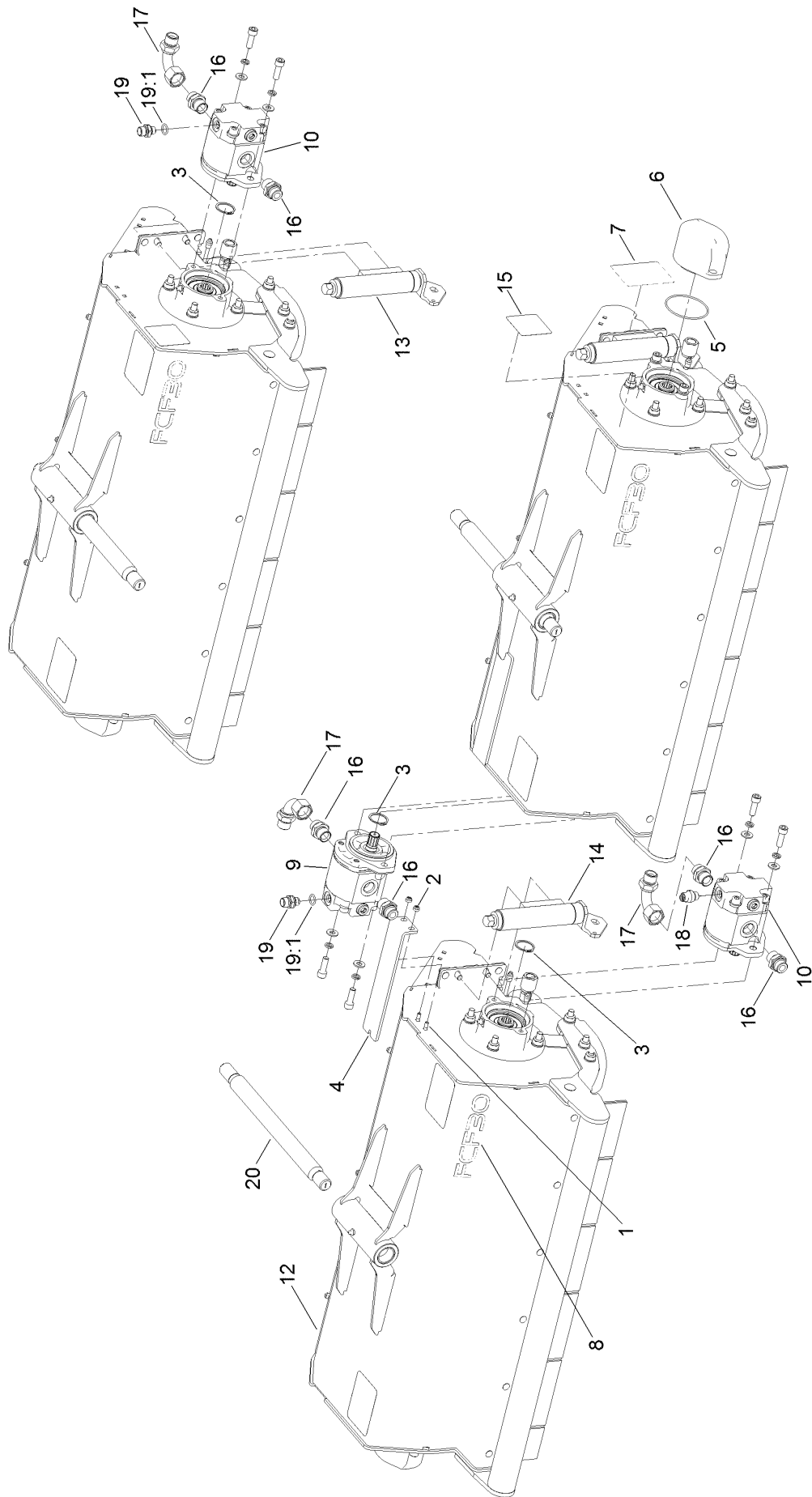
Control Pedal Assembly



Control Pedal Assembly (continued)

<i>Ref.</i>	<i>Part Number</i>	<i>Qty.</i>	<i>Description</i>	<i>Ref.</i>	<i>Part Number</i>	<i>Qty.</i>	<i>Description</i>
1	111-7175-03	1	Pedal-Mounting	19	ZCS1J030U	1	Screw-HSH
2	111-7122	1	Boss-Pedal, Link	20	111-2896	2	Rod-End, Female
3	111-9243-03	1	Forward Pedal ASM	21	111-6147	2	Rod End
3:1:3	953868	1	Bushing-Flange, Oilite	22	ZCS1H030U	4	Screw-Cap
4	10-11-017	2	Fitting-Straight	23	111-6948	6	Washer-Spring
5	09544	4	Nut-Nyloc	24	HY910808	1	Strip-Neoprene
6	ZNB1H000U	4	Nut	25	09472	2	Washer-Plain
7	09441	3	Nut-Hex, NI	26	09479	1	Washer-Plain
8	09449	2	Nut	27	111-4586	2	Screw-HSH
9	111-7068-03	1	Pedal Link ASM	28	09474	3	Washer-Spring
9:1:3	953868	1	Bushing-Flange, Oilite	29	111-7140	1	Cable-Transmission
10	111-1310	1	Pin-Control, Pedal	30	111-6133	1	Guard-Spiral
11	111-9244-03	1	Reverse Pedal ASM	31	09437	2	Nut
11:1:3	953868	1	Bushing-Flange, Oilite	32	09267	3	Washer-Plain
12	111-4579	2	Rod End-Female/Female	33	09480	1	Washer-Lock
13	09363	2	Screw-HH	34	111-7253-03	1	Deflector-Grass, Cutter (RH)
14	09373	3	Bolt-Coach	35	09364	2	Screw-HH
15	09392	1	Screw-HH	36	09262	4	Washer
16	09475	2	Washer	37	70-07-067	1	Tape-Slip, Anti
17	111-3567	1	Decal-Pedal, Operation	38	09611	1	Bolt-HH
18	ZNH1H000U	2	Nut-Hex				

Cutter Component Assembly

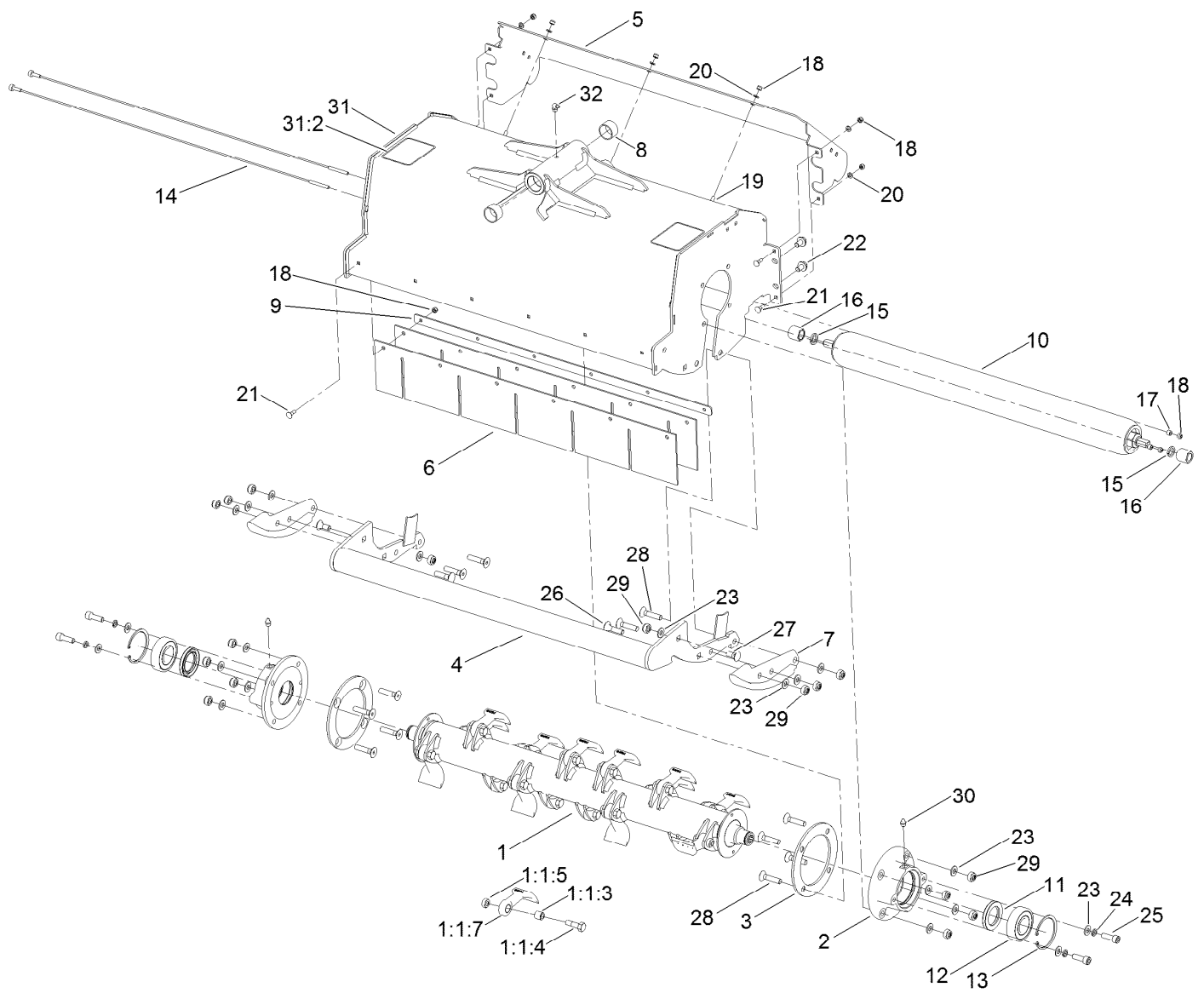


Cutter Component Assembly (continued)

<i>Ref.</i>	<i>Part Number</i>	<i>Qty.</i>	<i>Description</i>	<i>Ref.</i>	<i>Part Number</i>	<i>Qty.</i>	<i>Description</i>
1	09668	4	Bolt-Coach	10:3	111-9630	1	Valve-Shock, 17 Bar ●
2	09438	4	Nut-Nyloc	12	111-9515	3	Flail Cutterhead ASM
3	111-9214	3	Ring-Retaining, EXT	13	111-9518	1	Centre Head HOC Adjuster ASM
4	111-9179	2	Guide-Plate, Roller	14	111-9519	2	Front Head HOC Adjuster ASM
5	876032	3	O-Ring	15	111-9648	4	Decal
6	111-8487-03	3	Weight [black]	16	111-9107	6	Fitting-Straight
7	111-9382	4	Decal-HOC	17	111-9108	3	Fitting-Elbow, 90
8	111-9401	3	Decal	18	70-06-054	1	Adaptor
9	111-8429	1	Motor-Cutter, Clockwise	19	111-4788	2	Fitting-Straight
9:1	111-8146	1	Seal Kit ●	19:1	70-06-165	1	Seal-O Ring
9:2	117-5107	1	Valve-Check ●	20	65-05-127	3	Pin-Head, Pivot
9:3	111-9630	1	Valve-Shock, 17 Bar ●	99	HY922101	1	Spanner-Adjuster, Cutterhead ●
10	111-8430	2	Motor-Cutter, Anti-Clockwise				
10:1	111-8146	1	Seal Kit ●				
10:2	117-5107	1	Valve-Check ●				

● Not illustrated

Flail Cutterhead Assembly No. 111-9515



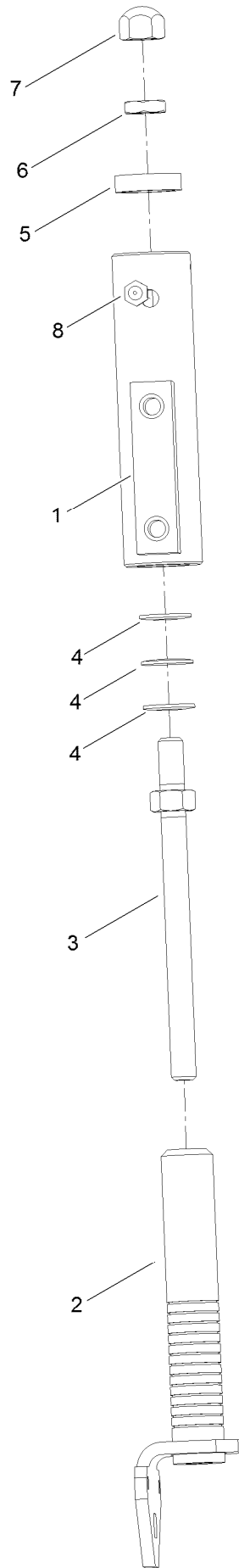
Flail Cutterhead Assembly No. 111-9515 (continued)

<i>Ref.</i>	<i>Part Number</i>	<i>Qty.</i>	<i>Description</i>	<i>Ref.</i>	<i>Part Number</i>	<i>Qty.</i>	<i>Description</i>
1	134-0277-03	1	Rotor ASM	12	111-9136	2	Bearing-Ball
1:1		1	Rotor ASM ●■	13	111-9135	2	Ring-Retaining, Int
1:1:3	111-9172	16	Bushing-Sleeve	14	63-07-072	2	Scraper-Wire
1:1:4	111-9646	16	Screw-HH, Patch	15	HY4200	2	Washer-Spring
1:1:5	09449	16	Nut	16	876062	2	Roller-Nut
1:1:7	111-9631	1	Kit-Blade(X2)	17	340154	2	Bushing
1:1:7	111-9668	1	Kit-Blade(X16)	18	09438	15	Nut-Nyloc
1:1:7:2	111-9172	16	Bushing-Sleeve	19	09570	3	Bolt-Carriage
1:1:7:3	111-9646	16	Screw-HH, Patch	20	09472	7	Washer-Plain
1:1:7:4	09449	16	Nut	21	09668	10	Bolt-Coach
2	111-9208-03	2	Housing-Bearing, Rotor	22	63-11-019	4	Screw-HHF
3	111-9123-03	2	Rotor-Ring	23	ZWQ1J000U	20	Washer-Plain
4	111-9164-03	1	Tube ASM	24	09480	4	Washer-Lock
5	111-9142-01	1	Frame-Extension	25	ZCS1J030U	4	Screw-HSH
6	111-9160	2	Guard-Rubber, Front	26	111-9327	2	Bolt-Carriage
7	884024W	2	Skid	27	15-11-003	2	Bolt-CARR
8	876065	2	Bushing-Sleeve	28	111-9328	12	Screw-Sh, Csk
9	111-9144	1	Strip-Clamp, Guard	29	ZNN1J000U	16	Nut-Hex, NI
10	876006	1	Roller-Smooth	30	10-11-017	2	Fitting-Straight
10:99	876078	1	Kit-Bearing-Roller, Taper ●	31	134-0047	1	Frame ASM
10:99	111-2561	2	Fitting-Grease ●	31:2	40-13-010	2	Decal-Warning
11	111-9138	2	Seal-Lip, Single	32	63-07-027	1	Zerk-Grease, BSP (90 DEG)

● Not illustrated

■ Not serviced separately

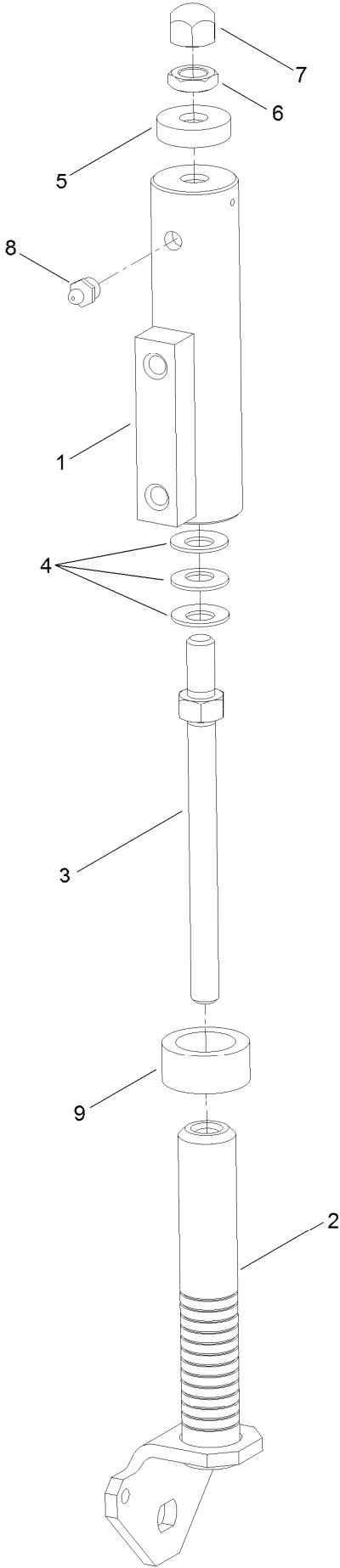
Center Head HOC Adjuster Assembly



Center Head HOC Adjuster Assembly (continued)

<i>Ref.</i>	<i>Part Number</i>	<i>Qty.</i>	<i>Description</i>	<i>Ref.</i>	<i>Part Number</i>	<i>Qty.</i>	<i>Description</i>
1	876064W	2	Roller-Mounting	5	876098	2	Cap-Control, Pressure
2	134-0074	2	Shaft-Adjuster, Roller	6	ZNL1L000U	2	Nut-Hex
3	63-01-960	2	Stud-Roller, Adjusting	7	ZNK1L000U	2	Nut-Dome
4	876099	6	Washer-Spring	8	10-11-017	2	Fitting-Straight

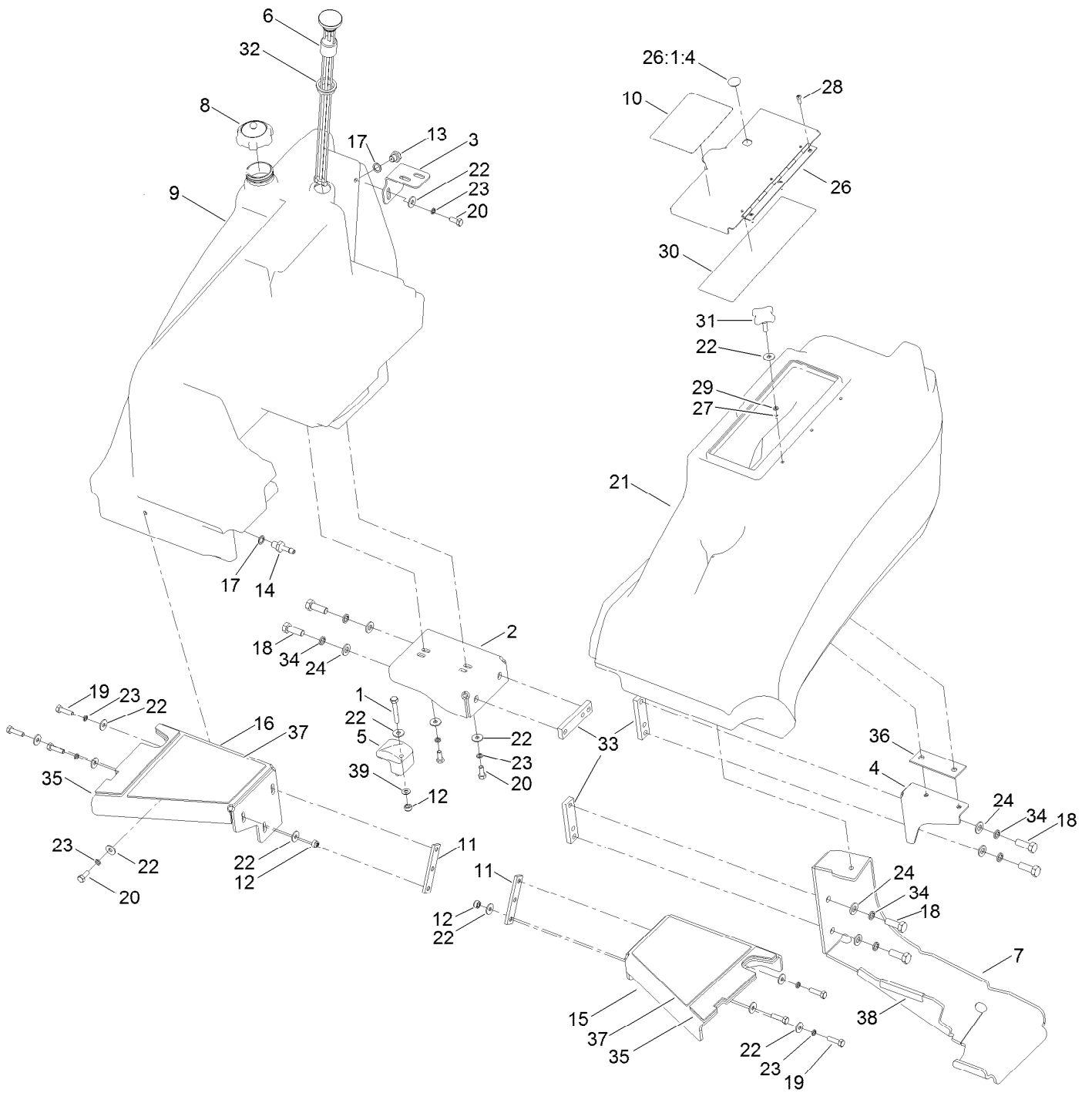
Front Head HOC Adjuster Assembly No. 111-9519



Front Head HOC Adjuster Assembly No. 111-9519 (continued)

<i>Ref.</i>	<i>Part Number</i>	<i>Qty.</i>	<i>Description</i>	<i>Ref.</i>	<i>Part Number</i>	<i>Qty.</i>	<i>Description</i>
1	876064W	2	Roller-Mounting	6	ZNL1L000U	2	Nut-Hex
2	134-0074	2	Shaft-Adjuster, Roller	7	ZNK1L000U	2	Nut-Dome
3	63-01-960	2	Stud-Roller, Adjusting	8	10-11-017	2	Fitting-Straight
4	876099	6	Washer-Spring	9	134-0077	2	Spacer
5	876098	2	Cap-Control, Pressure				

Fuel Tank and Storage Pod Assembly



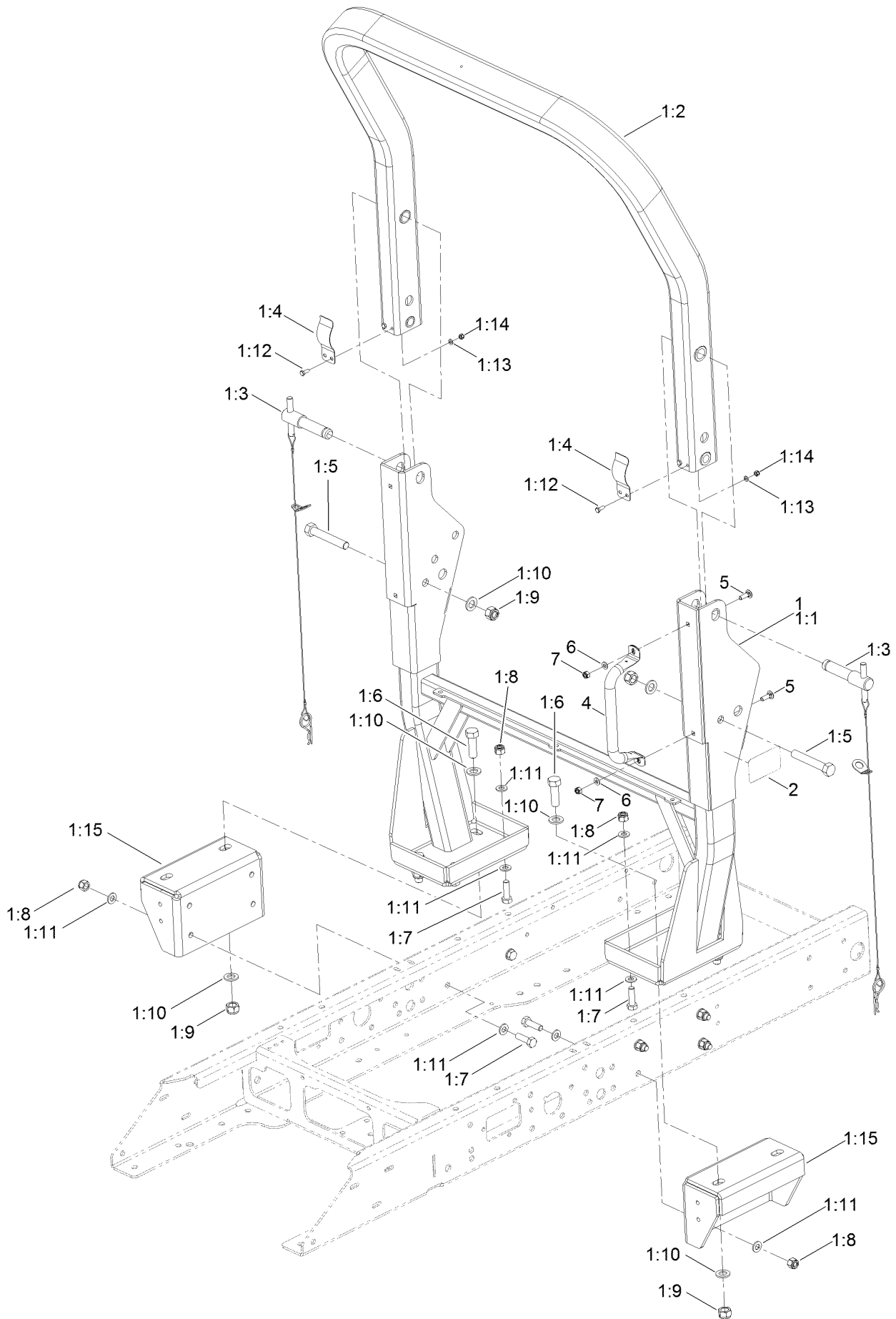
Fuel Tank and Storage Pod Assembly (continued)

<i>Ref.</i>	<i>Part Number</i>	<i>Qty.</i>	<i>Description</i>	<i>Ref.</i>	<i>Part Number</i>	<i>Qty.</i>	<i>Description</i>
1	09565	1	Screw-HH	22	09267	16	Washer-Plain
2	134-0248-03	1	Bracket, Fuel Tank	23	03469	8	Washer-Spring
3	111-3453-03	1	Bracket-Fuel Tank, Upper	24	HY09485	6	Washer-Plain
4	111-3424-03	1	Bracket-Pod, Storage	26	111-7242-03	1	Cover-Storage
5	107-4543	1	Clamp	26:1		1	Cover Assembly Storage Pod ●■
6	104-5603	1	Gauge-Level, Fuel	26:1:4	134-2164	1	Plug-Lid, Storage
7	111-7306-01	1	Step-Foot, Rev	27	09430	3	Nut-Nyloc
8	111-3531	1	Cap-Fuel	28	111-3381	3	Screw-HSBH
9	111-9967	1	Tank-Fuel	29	09470	3	Washer
10	111-5007	1	Decal-Warning, Inclines	30	111-9649	1	Decal-Maintenance
11	111-3281	2	Bar-Nut	31	111-3666	3	Handwheel
12	09441	3	Nut-Hex, NI	32	95-8972	1	Grommet
13	910352	1	Pipe-Return, Fuel	33	111-4490	3	Bar-Nut
14	910351	1	Pipe-Suction, Fuel	34	09599	6	Washer-Lock
15	111-9042-03	1	Support-Platform	35	111-9044	2	Pad-Support, Outer
16	111-9041-03	1	Support-Platform	36	111-5388	1	Pad-Rubber, Storage Pod
17	111-3925	2	Washer-Fiber	37	111-9043	2	Pad-Support, Inner
18	ZDH1L035U	6	Screw-HH	38	50-08-001	1	Edging-Rubber
19	09369	6	Screw-HH	39	09475	1	Washer
20	09368	4	Screw-HH	99	70-07-067	1	Tape-Slip, Anti ●
21	111-3295	1	Pod-Storage				

● Not illustrated

■ Not serviced separately

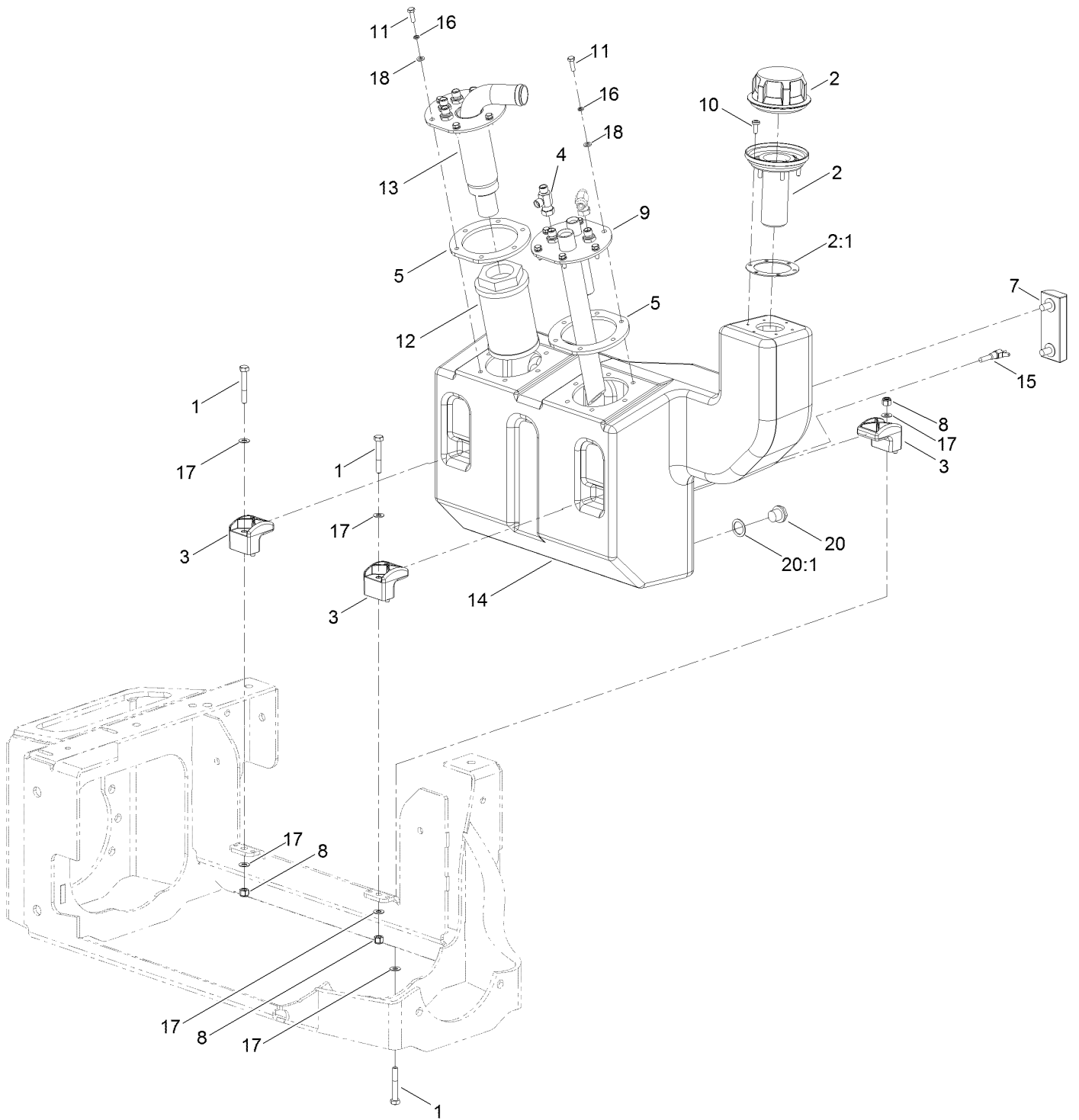
Roll-Over Protection System Assembly



Roll-Over Protection System Assembly (continued)

<i>Ref.</i>	<i>Part Number</i>	<i>Qty.</i>	<i>Description</i>	<i>Ref.</i>	<i>Part Number</i>	<i>Qty.</i>	<i>Description</i>
1	111-8039	1	ROPS ASM	1:11	HY09485	24	Washer-Plain
1:1	111-9047-03	1	ROPS-Lower	1:12	09362	4	Screw-HH
1:2	111-8040-03	1	ROPS-Upper	1:13	09472	4	Washer-Plain
1:3	111-9280	2	Pin Assembly	1:14	09438	4	Nut-Nyloc
1:4	110-5696	2	Spring-Leaf	1:15	111-9065-03	2	Bracket-Chassis, ROPS
1:5	ZBH1P100U	2	Bolt	2	111-0773	2	Decal
1:6	ZDH1P050U	4	Screw-HH	4	134-2022-03	1	Handle-ROPS
1:7	63-11-010	12	Bolt-HH	5	09373	2	Bolt-Coach
1:8	111-9291	12	Nut-Hex, Nyloc	6	ZWP1H000U	2	Washer-Plain
1:9	09456	6	Nut	7	09441	2	Nut-Hex, NI
1:10	09491	10	Washer-Plain				

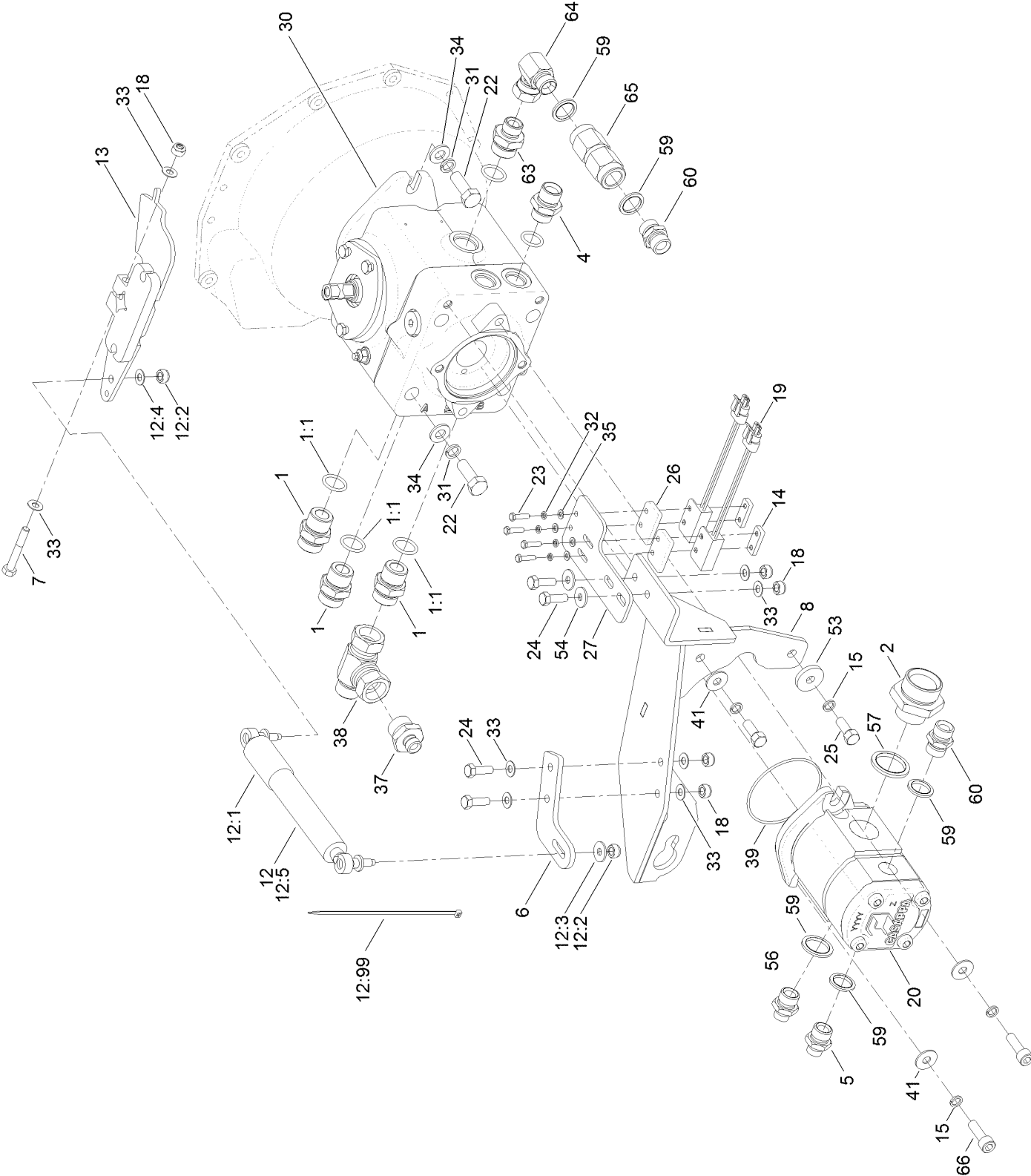
Hydraulic Oil Tank Assembly



Hydraulic Oil Tank Assembly (continued)

<i>Ref.</i>	<i>Part Number</i>	<i>Qty.</i>	<i>Description</i>	<i>Ref.</i>	<i>Part Number</i>	<i>Qty.</i>	<i>Description</i>
1	09565	3	Screw-HH	11	09363	12	Screw-HH
2	HY910601	1	Cap-Breather, Filler	12	10-06-025	1	Filter-Suction
2:1	910648	1	Cap-Gasket, Filler	13	111-9532	1	Flange-Suction
3	107-4543	3	Clamp	14	111-9528	1	Tank-Oil, Hydraulic
4	10-06-083	1	Fitting-Tee	15	940852	1	Switch-Temperature
5	111-9531	2	Gasket-Flange	16	09474	12	Washer-Spring
7	65-06-018	1	Gauge-Level, Oil	17	09475	6	Washer
8	09441	3	Nut-Hex, NI	18	09472	12	Washer-Plain
9	111-9533-03	1	Flange-Return	20	20-06-207	1	Plug-Magnetic
10	09634	6	Screw-PPH, HD	20:1	111-7925	1	Washer-Fiber

Hydraulic Pump Assembly

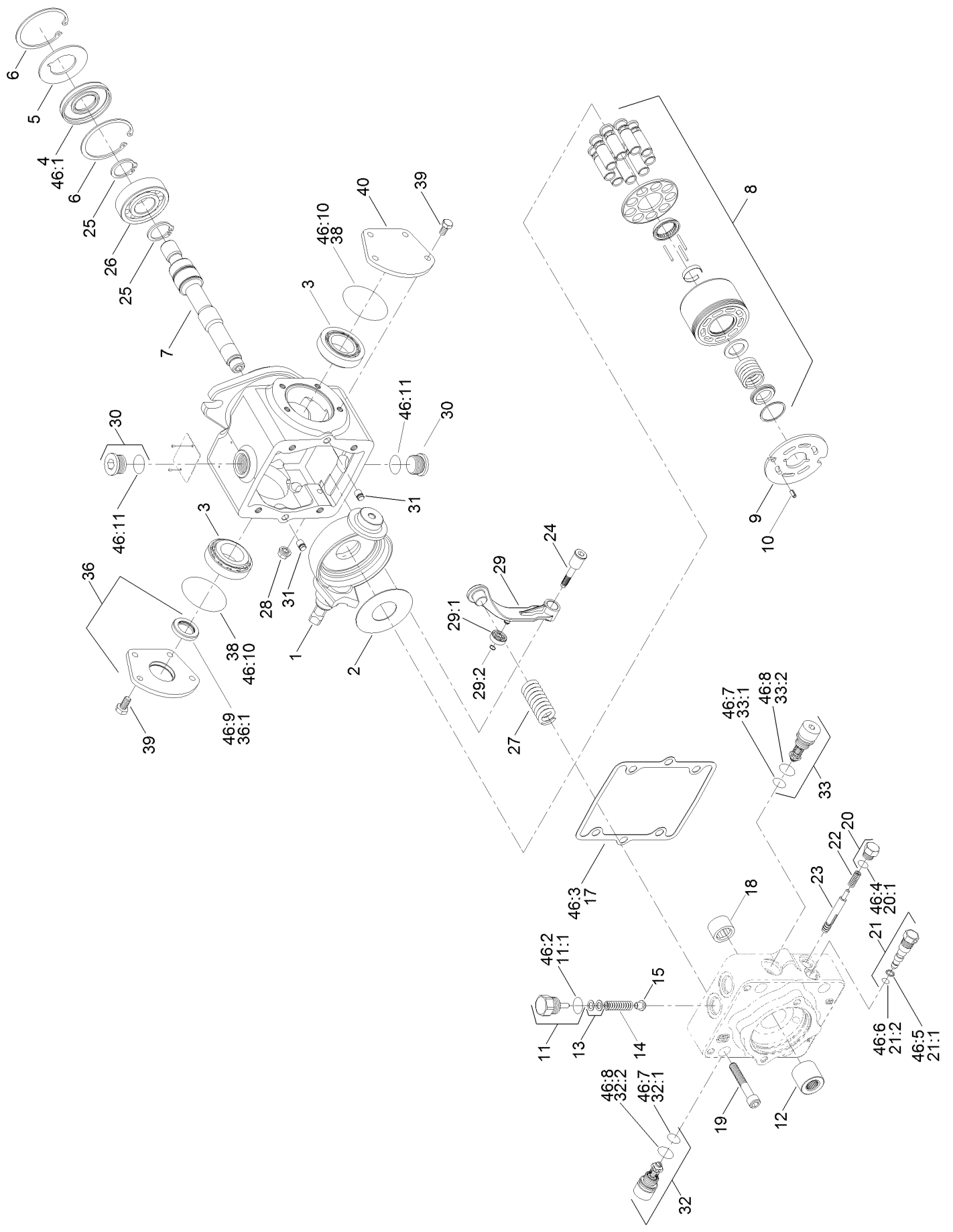


Hydraulic Pump Assembly (continued)

<i>Ref.</i>	<i>Part Number</i>	<i>Qty.</i>	<i>Description</i>	<i>Ref.</i>	<i>Part Number</i>	<i>Qty.</i>	<i>Description</i>
1	70-06-050	3	Adaptor-Boss	25	HY103653	2	Screw-HH
1:1	70-06-168	1	Seal-O Ring	26	111-3676	2	Spacer-Switch, Proximity
2	15-06-109	1	Adaptor	27	111-3260-03	1	Adjuster-Switches
4	111-9107	1	Fitting-Straight	30	111-8723	1	Pump-Transmission
5	10-06-043	1	Adaptor	31	09599	2	Washer-Lock
6	111-6853-03	1	Adjuster-Damper	32	09644	4	Washer-Spring
7	09565	1	Screw-HH	33	09475	9	Washer
8	111-6456-03	1	Bracket-Control, Pump	34	HY09485	2	Washer-Plain
12	111-9548	1	Damper Kit	35	09257	4	Washer
12:1	111-9774	1	Sleeve-Rubber	37	20-06-212	1	Adaptor-BSP
12:2	09441	2	Nut-Hex, NI	38	60-06-009	1	Adaptor-Tee
12:3	09267	1	Washer-Plain	39	70-06-028	1	O-Ring
12:4	09475	1	Washer	41	HY03355	3	Washer-Plated
12:5	111-8425	1	Damper	53	65-01-559	1	Washer-Space
12:99	74-07-020	1	Tie-Cable ●	54	09267	3	Washer-Plain
13	111-6814	1	Lever-Control, Pump	56	950726	1	Adaptor-BSP
14	111-3336	2	Bar-Switch, Proximity	57	09-06-214	1	Seal-Dowty
15	09273	4	Washer-Spring	59	10-06-032	5	Seal-Dowty
18	09441	7	Nut-Hex, NI	60	10-06-078	2	Adaptor-BSPP
19	105-0023	2	Switch-Proximity	63	70-06-066	1	Adaptor
20	111-8424	1	Pump-Tandem	64	111-9766	1	Fitting-Elbow, 90
20:99	111-9632	1	Kit-Seal ●	65	111-9111	1	Fitting-Check
22	ZDH1L035U	2	Screw-HH	66	111-9168	2	Screw-Sh
23	ZDH1E020U	4	Screw-HH	67	20-06-202	1	Adaptor ●
24	03162	4	Screw-HH	99	74-07-020	1	Tie-Cable ●

● Not illustrated

Hydraulic Pump Assembly No. 111-8723



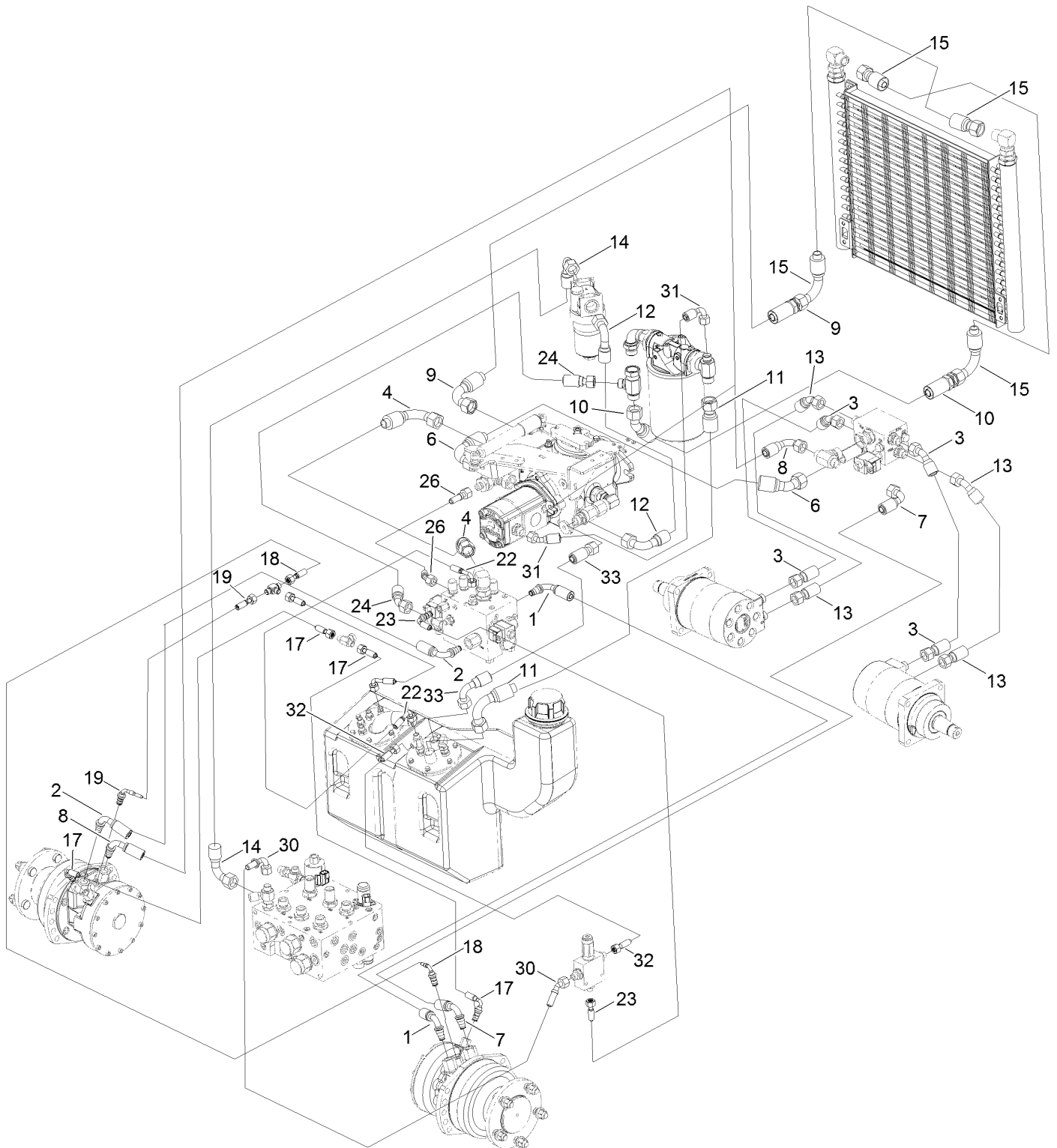
Hydraulic Pump Assembly No. 111-8723 (continued)

<i>Ref.</i>	<i>Part Number</i>	<i>Qty.</i>	<i>Description</i>	<i>Ref.</i>	<i>Part Number</i>	<i>Qty.</i>	<i>Description</i>
1	115-8092	1	Swashplate	28	110-6496	1	Nut-Seal
2	75-0400	1	Plate-Thrust	29	110-6497	1	Neutral Return Arm ASM
3	110-6483	2	Bearing Kit	29:1	110-6494	1	Bearing-Cam
4	110-6471	1	Seal-Lip	29:2	110-3056	1	Ring-Retaining
5	95-4400	1	Washer-Backup	30	69-3130	2	Plug
6	69-3200	2	Ring-Retaining	31	112-0158	2	Pin
7	111-9640	1	Shaft-Auxiliary	32	110-6477	1	Valve-Relief
8	110-6472	1	Cylinder Block Kit ASM	32:1	75-0240	1	O-Ring
9	110-6473	1	Plate-Valve (Clockwise)	32:2	84-0560	1	O-Ring
10	131-3800	1	Pin-Slotted	33	111-6775	1	Valve-Pressure Relief, 300 Bar
11	110-6486	1	Plug-Relief, Charge	33:1	111-4906	1	O-Ring
11:1	28-3570	1	O-Ring	33:2	111-4925	1	O-Ring
12	111-9641	1	Coupling	36	110-6499	1	Trunnion Cover ASM
13	111-4908	1	Shim Kit ASM	36:1	110-6478	1	Seal-Lip
14	110-6474	1	Spring	38	84-0430	2	O-Ring
15	110-6475	1	Poppet	39	112-0151	8	Screw
17	110-6476	1	Gasket-Cap, End	40	84-0450	1	Cover-Trunnion
18	75-0500	1	Bearing-Needle	46	110-6481	1	Seal Kit ●
19	110-6489	4	Screw	46:1	110-6471	1	Seal-Lip
20	94-9415	1	Plug ASM	46:2	28-3570	1	O-Ring
20:1		1	O-Ring ■	46:3	110-6476	1	Gasket-Cap, End
21	107-4364	1	Bypass Valve ASM	46:4	131-8631	2	O-Ring
21:1	25-2630	1	Ring-Back Up	46:5	25-2630	1	Ring-Back Up
21:2	110-6498	1	O-Ring	46:6	110-6498	1	O-Ring
22	111-4917	2	Spring-Valve, Loop (Flushing)	46:7	75-0240	2	O-Ring
23	110-6492	1	Spool-Loop, Flush	46:8	84-0560	2	O-Ring
24	110-6493	1	Pivot-Return, Neutral	46:9	110-6478	1	Seal-Lip
25	69-3170	2	Ring-Retaining	46:10	84-0430	2	O-Ring
26	75-0460	1	Bearing-Ball	46:11	131-8614	2	O-Ring
27	110-6495	1	Spring-Return, Neutral				

● Not illustrated

■ Not serviced separately

Hose Kit Assembly 111-8449



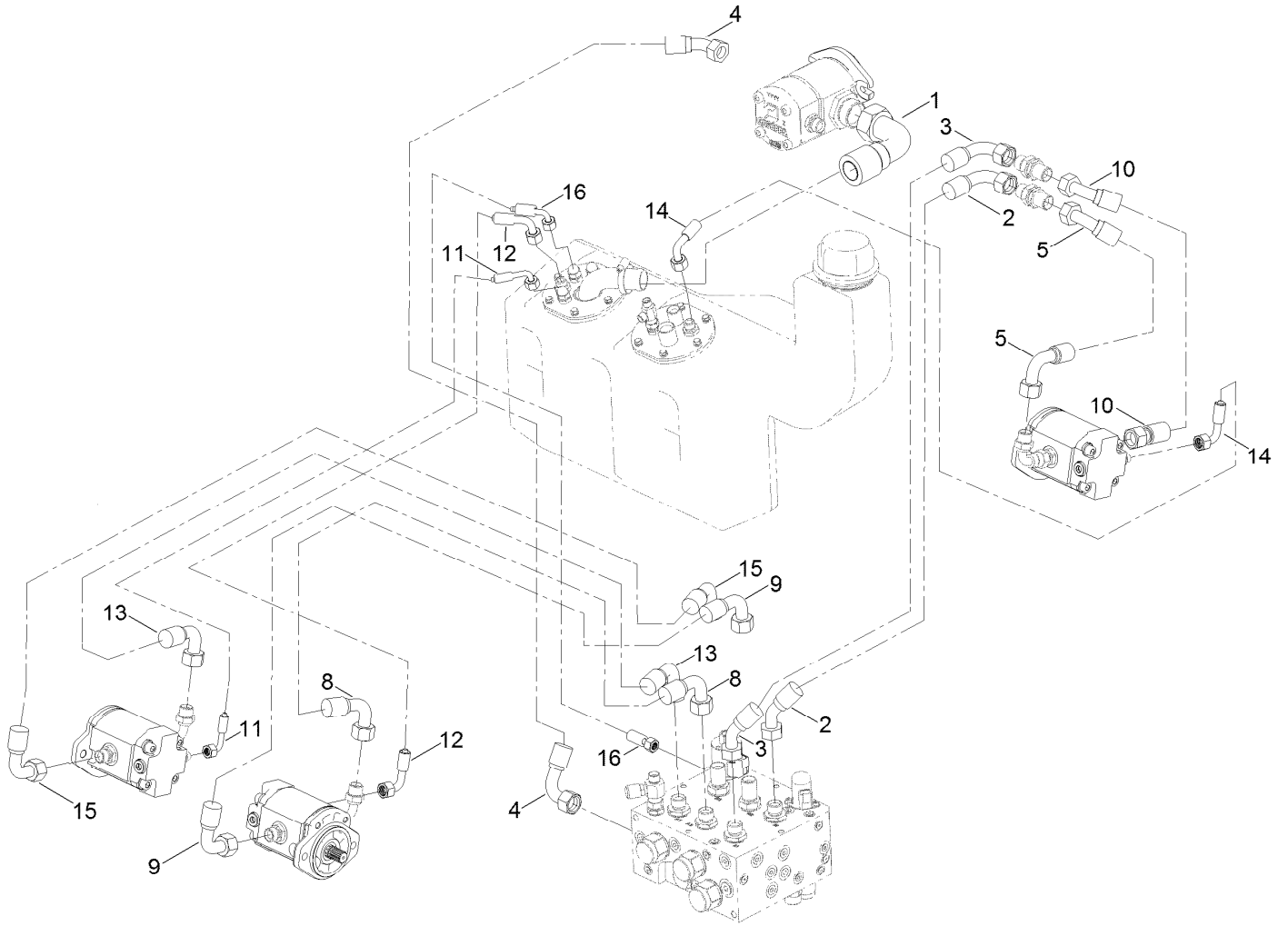
Hose Kit Assembly 111-8449 (continued)

<i>Ref.</i>	<i>Part Number</i>	<i>Qty.</i>	<i>Description</i>	<i>Ref.</i>	<i>Part Number</i>	<i>Qty.</i>	<i>Description</i>
1	111-4473	1	Hose	18	111-3606	1	Hose
2	111-4474	1	Hose	18:3:1	134-0279	1	O-Ring ●
3	111-3576	2	Hose	19	111-9271	1	Hose
4	111-4475	1	Hose	19:3:1	134-0279	1	O-Ring ●
6	111-9765	1	Hose	22	111-6163	1	Hose
7	111-9204	1	Hose	23	111-9207	1	Hose
8	111-9205	1	Hose	23:2		1	Coupling-Straight ■●
9	111-9199	1	Hose	23:2:1	134-0279	1	O-Ring ●
10	111-9202	1	Hose	24	111-9183	1	Hose
11	111-9203	1	Hose	26	111-4485	1	Hose
12	111-9188	1	Hose	30	111-9200	1	Hose
13	111-3595	2	Hose	31	111-9201	1	Hose
14	111-6950	1	Hose	32	111-9196	1	Hose
15	111-9206	2	Hose	32:2		1	Coupling-Straight ●■
17	111-4483	2	Hose	32:2:1	134-0279	1	O-Ring ●
17:3:1	134-0279	1	O-Ring ●	33	111-9209	1	Hose

● Not illustrated

■ Not serviced separately

Hose Kit Assembly 111-8448



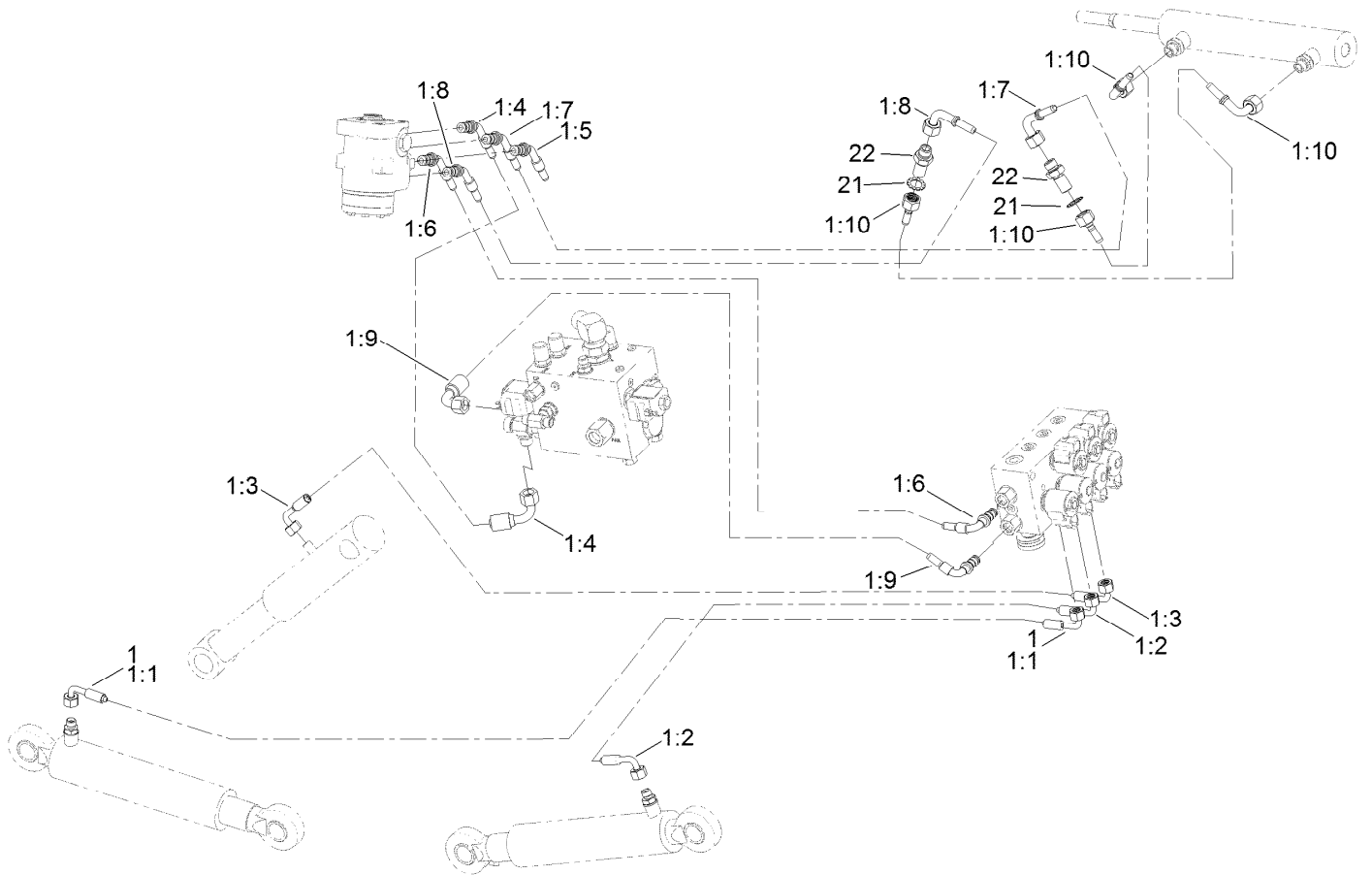
Hose Kit Assembly 111-8448 (continued)

<i>Ref.</i>	<i>Part Number</i>	<i>Qty.</i>	<i>Description</i>	<i>Ref.</i>	<i>Part Number</i>	<i>Qty.</i>	<i>Description</i>
1	111-5486	1	Hose	11	111-9324	1	Hose
2	111-9193	1	Hose	12	111-9830	1	Hose
3	111-9192	1	Hose	13	111-9187	1	Hose
4	111-9191	1	Hose	14	111-9829	1	Hose
5	111-9189	1	Hose	15	111-9186	1	Hose
8	111-9184	1	Hose	16	111-9325	1	Hose
9	111-9185	1	Hose	16:2		1	Coupling-Straight ■●
10	111-9190	1	Hose	16:2:1	134-0279	1	O-Ring ●

● Not illustrated

■ Not serviced separately

Lift Hydraulic Hose Routing Assembly



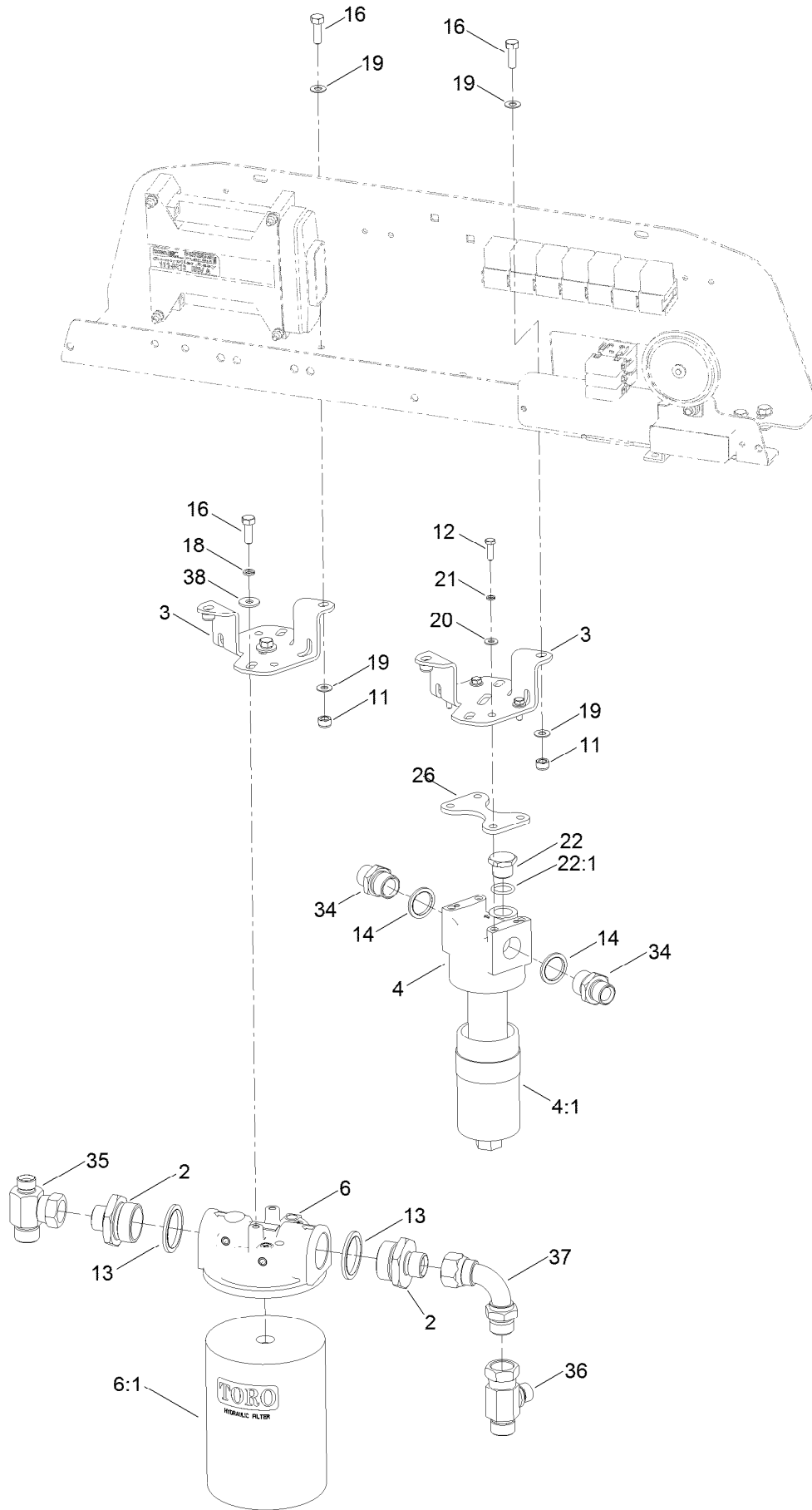
Lift Hydraulic Hose Routing Assembly (continued)

<i>Ref.</i>	<i>Part Number</i>	<i>Qty.</i>	<i>Description</i>	<i>Ref.</i>	<i>Part Number</i>	<i>Qty.</i>	<i>Description</i>
1		1	Hosekit Assembly ■	1:6:5	111-3509	2	Adaptor ●
1:1	111-3602	1	Hose	1:7	111-7538	1	Hose
1:2	111-3603	1	Hose	1:8	111-7539	1	Hose
1:3	111-3611	1	Hose	1:9	111-3618	1	Hose
1:4	111-3613	1	Hose	1:10	111-7537	2	Hose
1:5	111-3614	1	Hose	21	111-5622	2	Washer-Lock, Serrated
1:6	111-3615	1	Hose	22	30-06-208	2	Adaptor

● Not illustrated

■ Not serviced separately

Filter Assembly

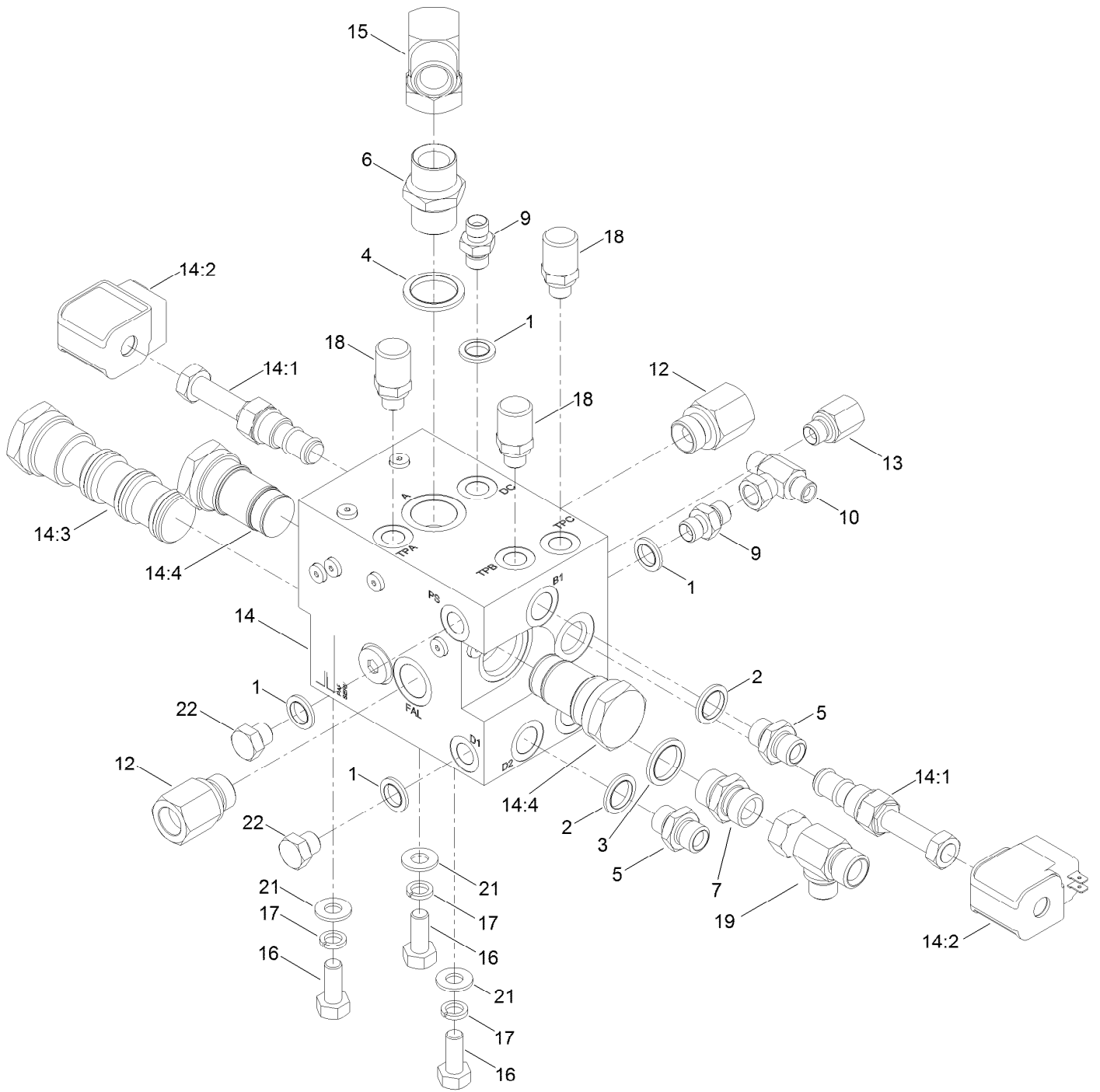


Filter Assembly (continued)

<i>Ref.</i>	<i>Part Number</i>	<i>Qty.</i>	<i>Description</i>	<i>Ref.</i>	<i>Part Number</i>	<i>Qty.</i>	<i>Description</i>
2	25-06-050	2	Adaptor	18	03469	2	Washer-Spring
3	111-9856-03	2	Bracket, Filter-Return	19	09475	8	Washer
4	924708	1	Pressure Filter ASM	20	09261	4	Washer-Plain
4:1	924709	1	Element-Filter, Pressure	21	09474	4	Washer-Spring
4:2	924710	1	Indicator-Filter, Pressure ●	22	111-3926	1	Plug
6	111-7508	1	Return Filter ASM	22:1	63-06-111	1	Seal-O Ring
6:1	924692	1	Element-Filter	26	111-4843-03	1	Spacer-Oil Filter
11	09441	4	Nut-Hex, NI	34	994626	2	Adaptor-BSPP
12	09363	4	Screw-HH	35	111-9110	1	Fitting-Tee
13	10-06-035	2	Seal-Dowty	36	111-9112	1	Fitting-Tee
14	10-06-033	2	Seal-Dowty	37	111-9113	1	Fitting-Elbow-90
16	03162	4	Screw-HH	38	09267	2	Washer-Plain
17	09368	2	Screw-HH ●				

● Not illustrated

Hydraulic Manifold Assembly

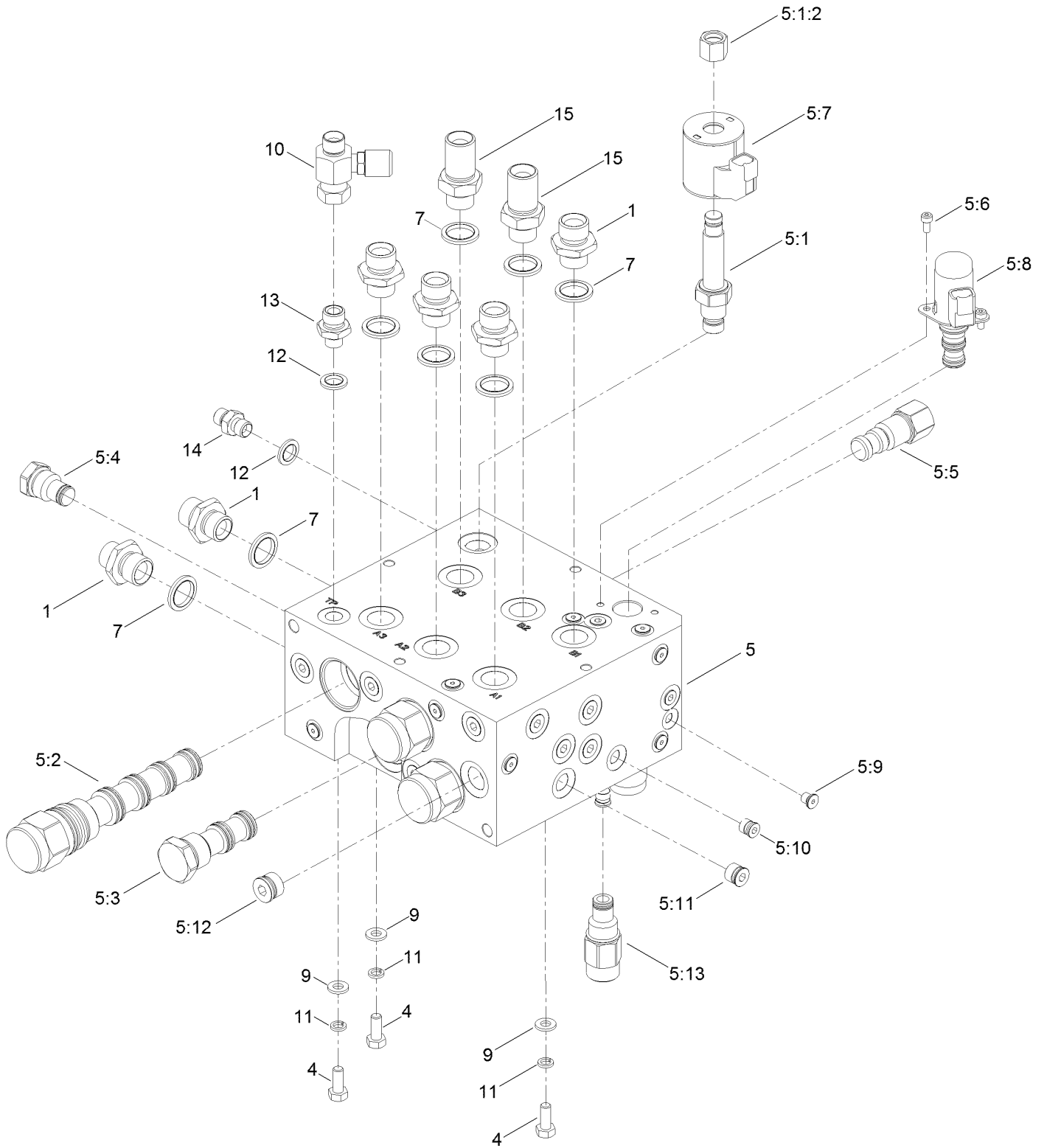


Hydraulic Manifold Assembly (continued)

<i>Ref.</i>	<i>Part Number</i>	<i>Qty.</i>	<i>Description</i>	<i>Ref.</i>	<i>Part Number</i>	<i>Qty.</i>	<i>Description</i>
1	10-06-030	4	Seal-Dowty	14:3	111-4466	1	Valve-Flow, Divider/Combiner
2	10-06-031	2	Seal-Dowty	14:3:1	111-7188	1	Seal Kit ●
3	10-06-032	1	Seal-Dowty	14:4	111-4467	2	Valve-Diverter
4	10-06-033	1	Seal-Dowty	14:4:1	134-0259	1	Seal Kit ●
5	10-06-042	2	Adaptor-BSPP	14:7	106-1024	10	Plug-Leak, Zero ●
6	10-06-044	1	Adaptor-BSP	14:8	106-1027	1	Plug ●
7	10-06-078	1	Adaptor-BSPP	14:99	910629	1	Valve-Shuttle ●
9	10-06-085	2	Adaptor	14:99:1	910635	1	Seal Kit ●
10	60-06-011	1	Tee-BSP	15	111-4443	1	Elbow-BSP
12	111-3529	2	Adaptor	16	09395	3	Screw-HH
13	111-3538	1	Adaptor	17	09480	3	Washer-Lock
14	111-3993	1	Manifold-Front, Transmission	18	910615	3	Point-BSPP
14:1	111-3533	2	Valve-Solenoid	19	953732	1	Tee-BSP
14:1:1	134-0258	1	Seal Kit ●	21	ZWQ1J000U	3	Washer-Plain
14:2	910627	2	Coil-Solenoid	22	30-06-200	2	Plug-HYD

● Not illustrated

Cutter Manifold Assembly

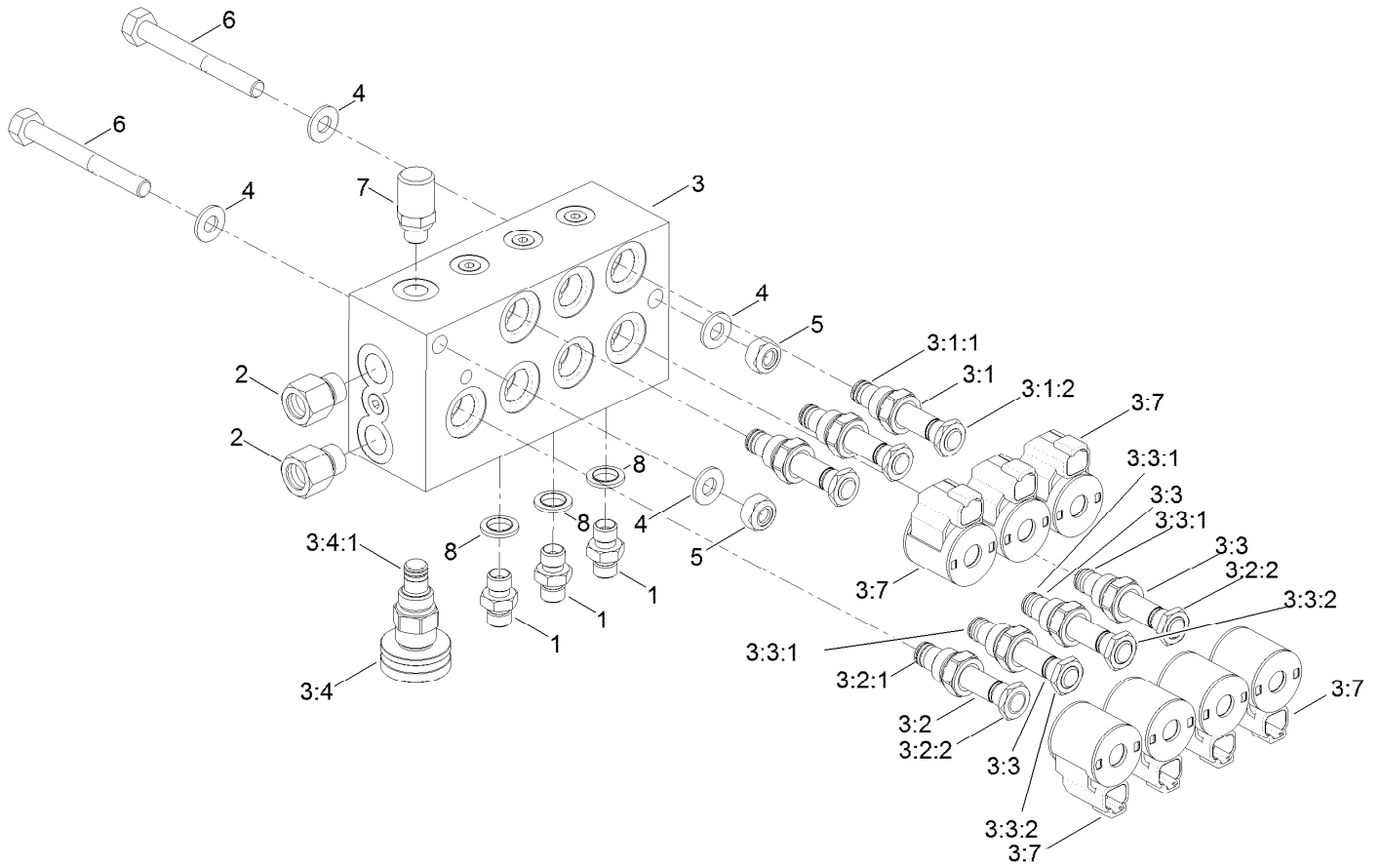


Cutter Manifold Assembly (continued)

<i>Ref.</i>	<i>Part Number</i>	<i>Qty.</i>	<i>Description</i>	<i>Ref.</i>	<i>Part Number</i>	<i>Qty.</i>	<i>Description</i>
1	950726	6	Adaptor-BSP	5:8	125-7554	3	Valve-Solenoid
4	09368	3	Screw-HH	5:8:1	125-7561	1	Seal Kit ●
5	111-8420	1	Manifold-Control, Cutters	5:9	106-1024	14	Plug-Leak, Zero
5:1	111-6825	1	Pressure-Proportional, Relief Valve	5:10	106-1025	7	Plug-HYD
5:1:1	111-6826	1	Seal Kit ●	5:11	106-1026	14	Plug-HYD
5:1:2	130-8180	1	Nut-Coil (9/16-24 Unef-2B)	5:12	106-1027	2	Plug
5:2	111-6829	3	Valve-Spool, Piloted	5:13	111-9763	2	Plug-Cavity
5:2:1	111-6830	1	Seal Kit ●	5:13:1	107-7813	1	Seal Kit ●
5:3	111-8421	1	Plug-Cavity	7	10-06-032	8	Seal-Dowty
5:3:1	110-6111	1	Seal Kit ●	9	ZWP1H000U	3	Washer-Plain
5:4	111-8422	1	Plug-Cavity	10	111-9118	1	Fitting-Test
5:4:1	107-7813	1	Seal Kit ●	11	03469	3	Washer-Spring
5:5	111-6832	1	Logic Element-Vented	12	10-06-030	2	Seal-Dowty
5:5:1	111-6827	1	Seal Kit ●	13	50-06-009	1	Adaptor-BSP
5:6	115-8733	6	Screw-HSH	14	10-06-085	1	Adaptor
5:7	119-4619	1	Coil-Solenoid	15	111-9517	2	Fitting-Straight

● Not illustrated

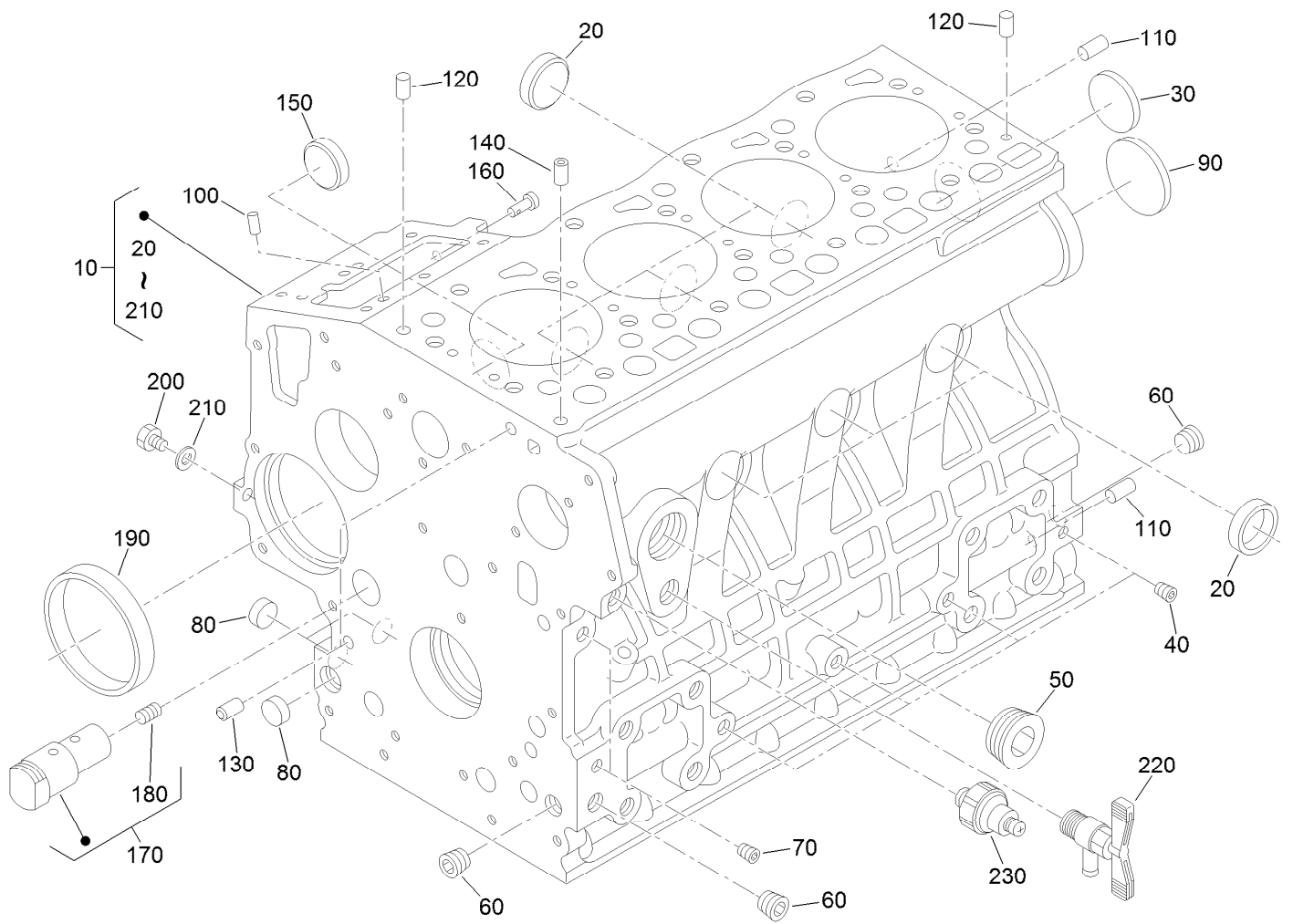
Manifold Hydraulic Assembly



Manifold Hydraulic Assembly (continued)

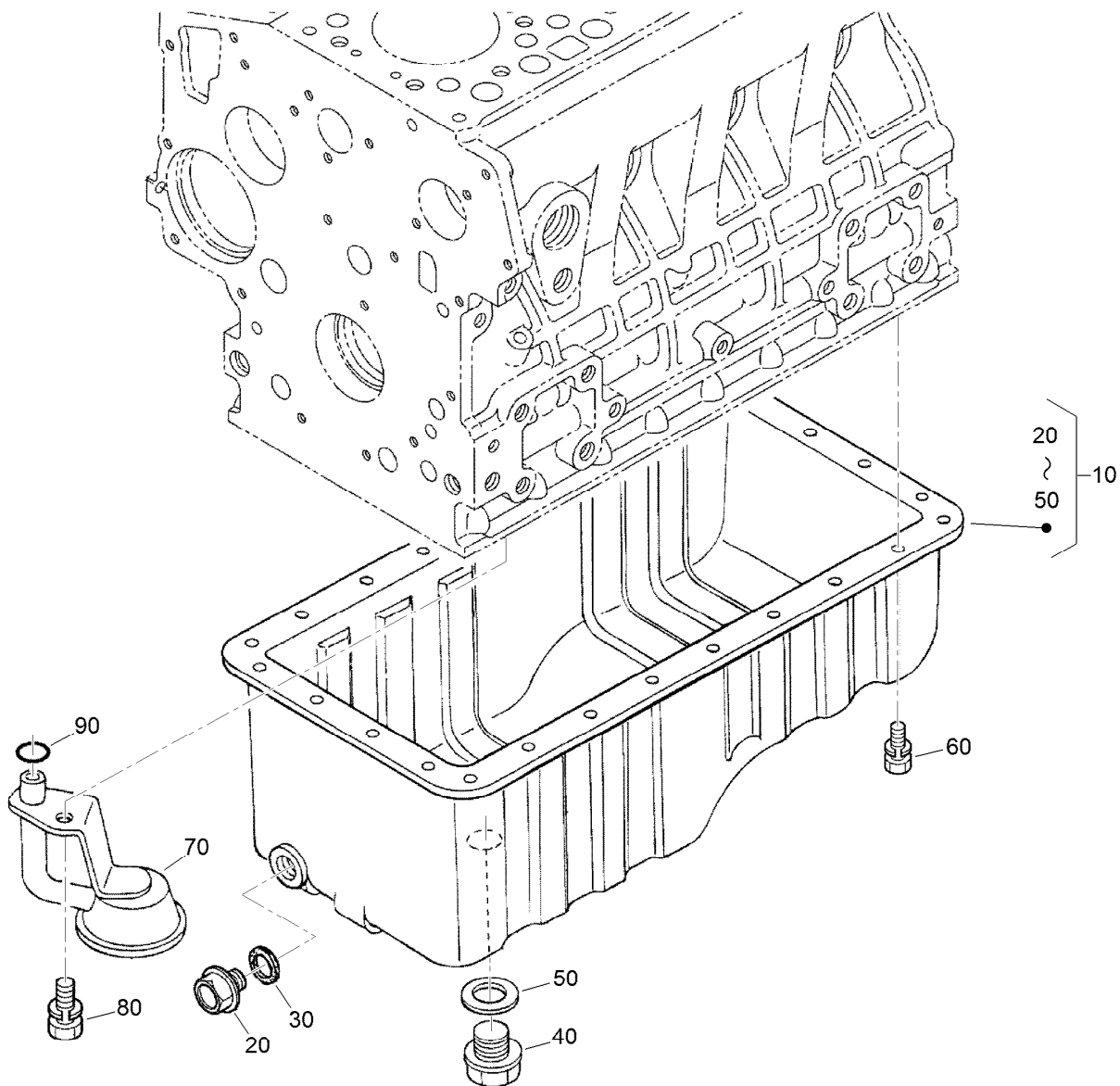
<i>Ref.</i>	<i>Part Number</i>	<i>Qty.</i>	<i>Description</i>	<i>Ref.</i>	<i>Part Number</i>	<i>Qty.</i>	<i>Description</i>
1	10-06-085	3	Adaptor	3:3:2	110-2634	1	Nut-Coil
2	111-3509	2	Adaptor	3:4	111-5513	1	Valve-Needle, Weight
3	111-8419	1	Manifold-Control, Lift	3:4:1	107-7527	1	Seal Kit
3:1	111-9623	3	Valve-Solenoid	3:5	111-9625	3	Orifice-Flow, Control ●
3:1:1	107-7527	1	Seal Kit	3:6	106-1025	4	Plug-HYD ●
3:1:2	110-2634	1	Nut-Coil	3:7	112-0197	7	E Coil-12V DC
3:2	111-9624	1	Valve-Solenoid	4	ZWQ1J000U	4	Washer-Plain
3:2:1	105-9156	1	Seal Kit	5	ZNN1J000U	2	Nut-Hex, NI
3:2:2	107-7812	1	Nut-Solenoid	6	ZBH1J090U	2	Screw-HH
3:3	112-9206	3	Solenoid Valve ASM	7	910615	1	Point-BSPP
3:3:1	105-9156	1	Seal Kit	8	10-06-030	3	Seal-Dowty

● Not illustrated



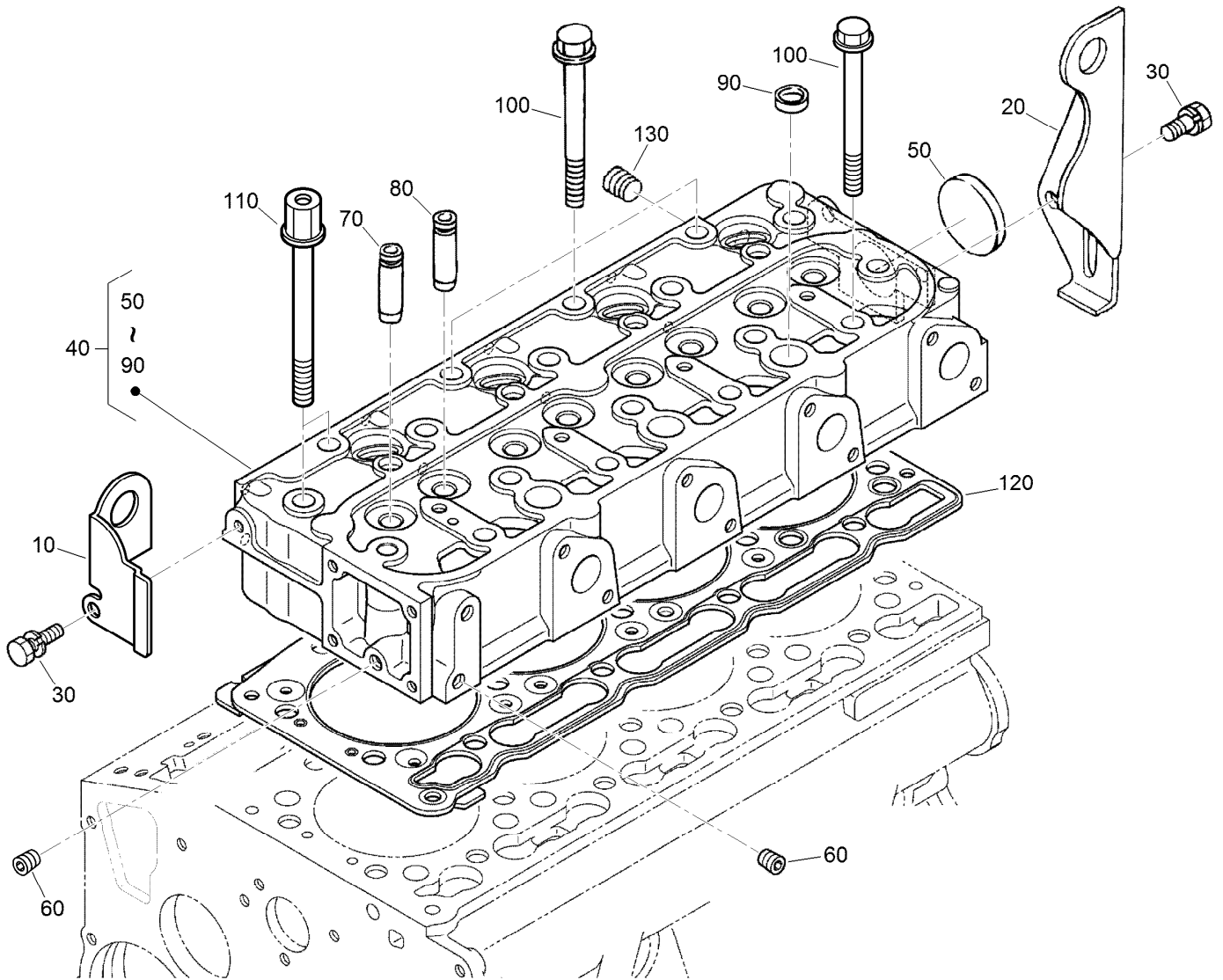
Crankcase Assembly

<i>Ref.</i>	<i>Part Number</i>	<i>Qty.</i>	<i>Description</i>	<i>Ref.</i>	<i>Part Number</i>	<i>Qty.</i>	<i>Description</i>
10	131-3832	1	Crankcase ASM	130	98-9387	2	Pin-Pipe
20	98-9398	6	Cap-Sealing	140	98-9539	1	Pin-Pipe
30	98-7539	1	Cap-Sealing	150	98-9599	1	Plug
40	98-9687	4	Plug	160	105-3796	1	Pin-Spring, Start
50	99-8347	1	Joint-Pipe, Drain	170	130-1237	1	Idler Shaft ASM
60	98-9597	3	Plug	180	98-7449	1	Screw-Set
70	98-7487	2	Plug	190	98-9656	1	Bushing-Governor, Gear
80	98-9379	3	Plug-Expansion	200	120-2559	1	Plug
90	98-9668	1	Plug-Expansion	210	98-7428	1	Gasket
100	98-9375	2	Pin-Straight	220	120-3121	1	Draincock ASM
110	98-9377	2	Pin-Straight	230	98-7764	1	Switch-Oil
120	98-9376	2	Pin-Straight				



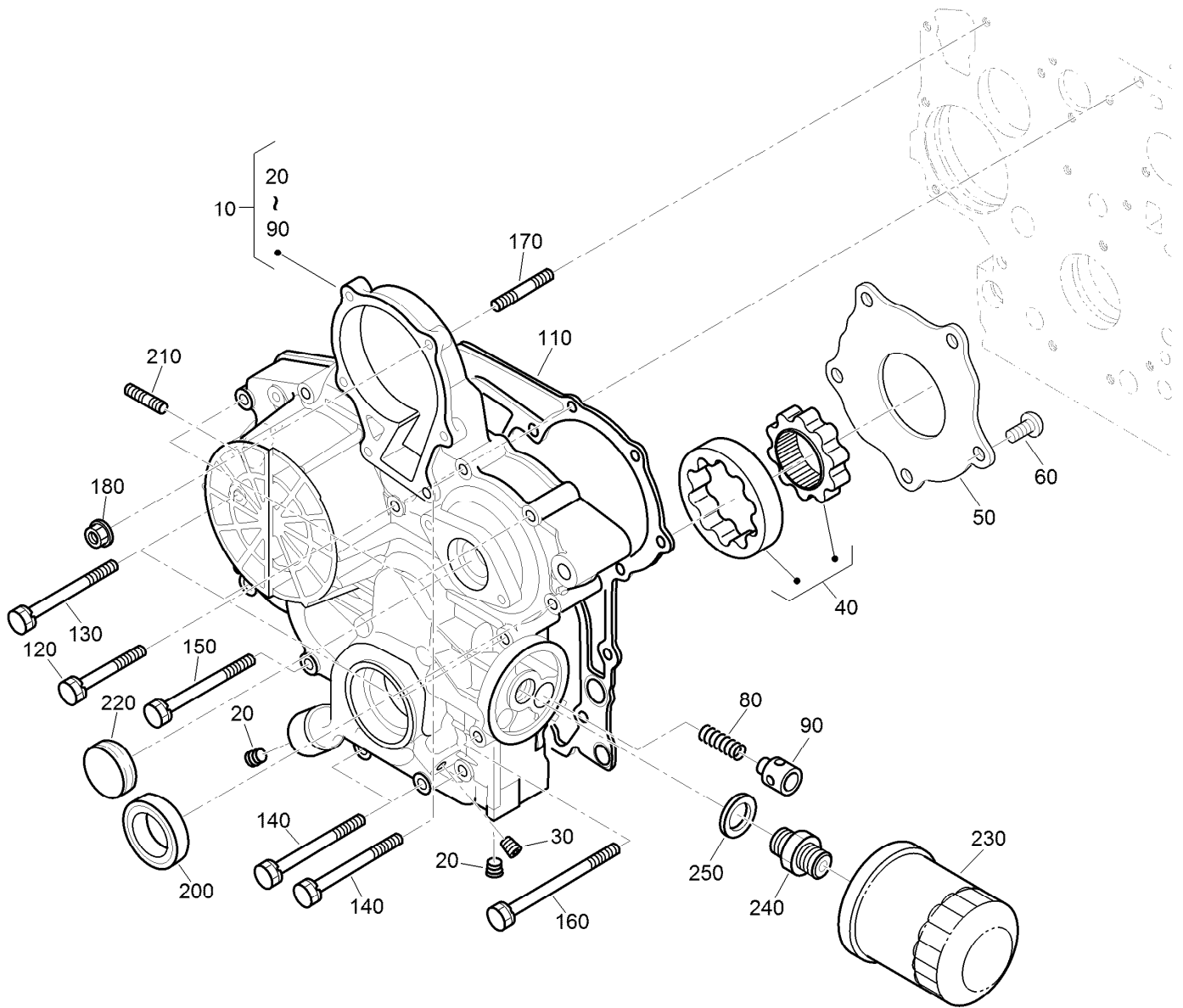
Oil Pan Assembly

Ref.	Part Number	Qty.	Description
10	130-1283	1	Oil Pan Kit
20	114-8151	1	Plug-Drain
30	AU87421317	1	Washer-Seal
40	105-3703	1	Plug-Drain
50	110-9715	1	Gasket-Pan, Oil
60	98-9351	26	Bolt
70	115-4116	1	Filter-Oil
80	98-7526	1	Bolt
90	105-3776	1	O-Ring



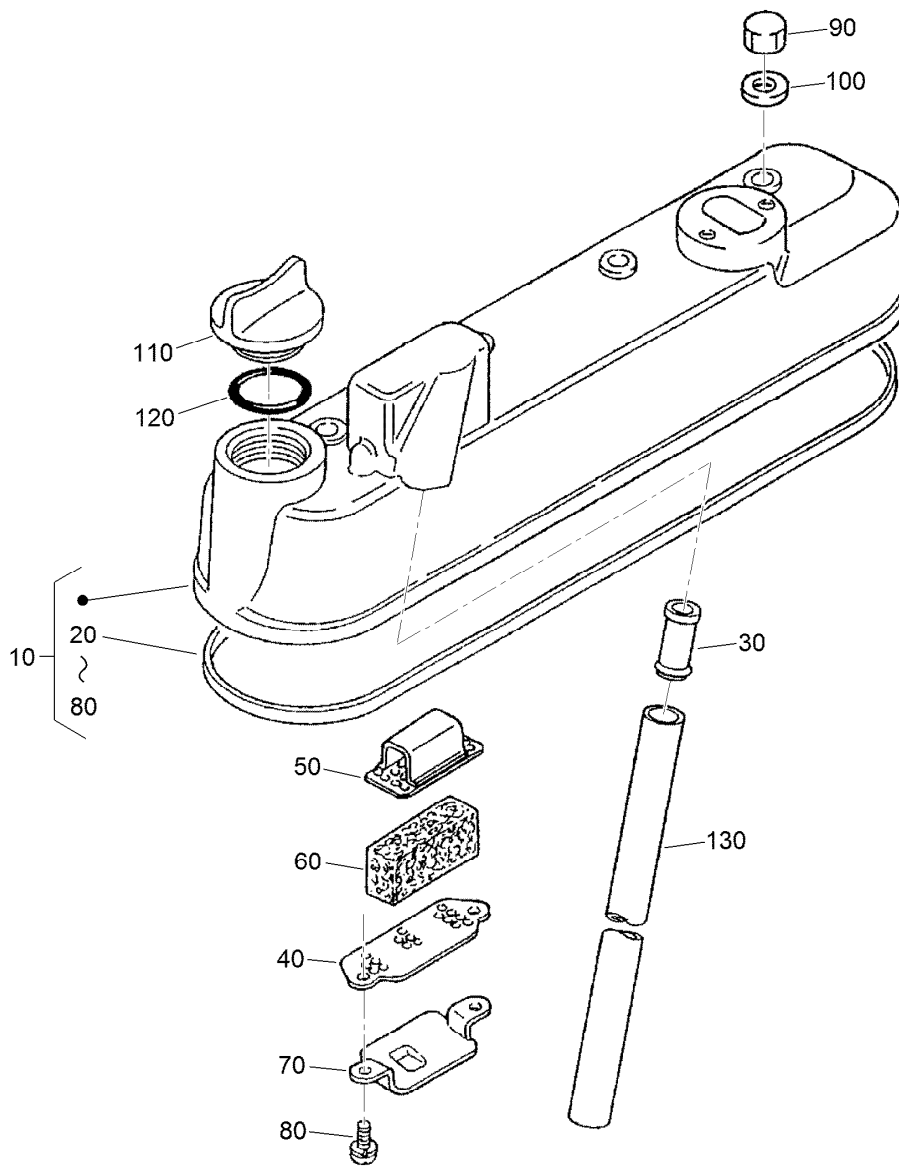
Cylinder Head Assembly

Ref.	Part Number	Qty.	Description
10	130-1231	1	Hook-Engine
20	98-9478	1	Hook-Engine
30	100-9195	2	Bolt
40	130-1382	1	*obs* Cylinder Head ASM
50	105-3705	1	Cap-Sealing
60	98-9687	2	Plug
70	107-9066	4	Guide-Valve, Inlet
80	107-9067	4	Guide-Valve, Exhaust
90	98-9389	3	Cap-Sealing
100	98-9479	15	Bolt-Head, Cylinder
110	98-9647	3	Bolt-Head, Cylinder
120	127-0434	1	Gasket-Head, Cylinder
130	98-9444	1	Plug



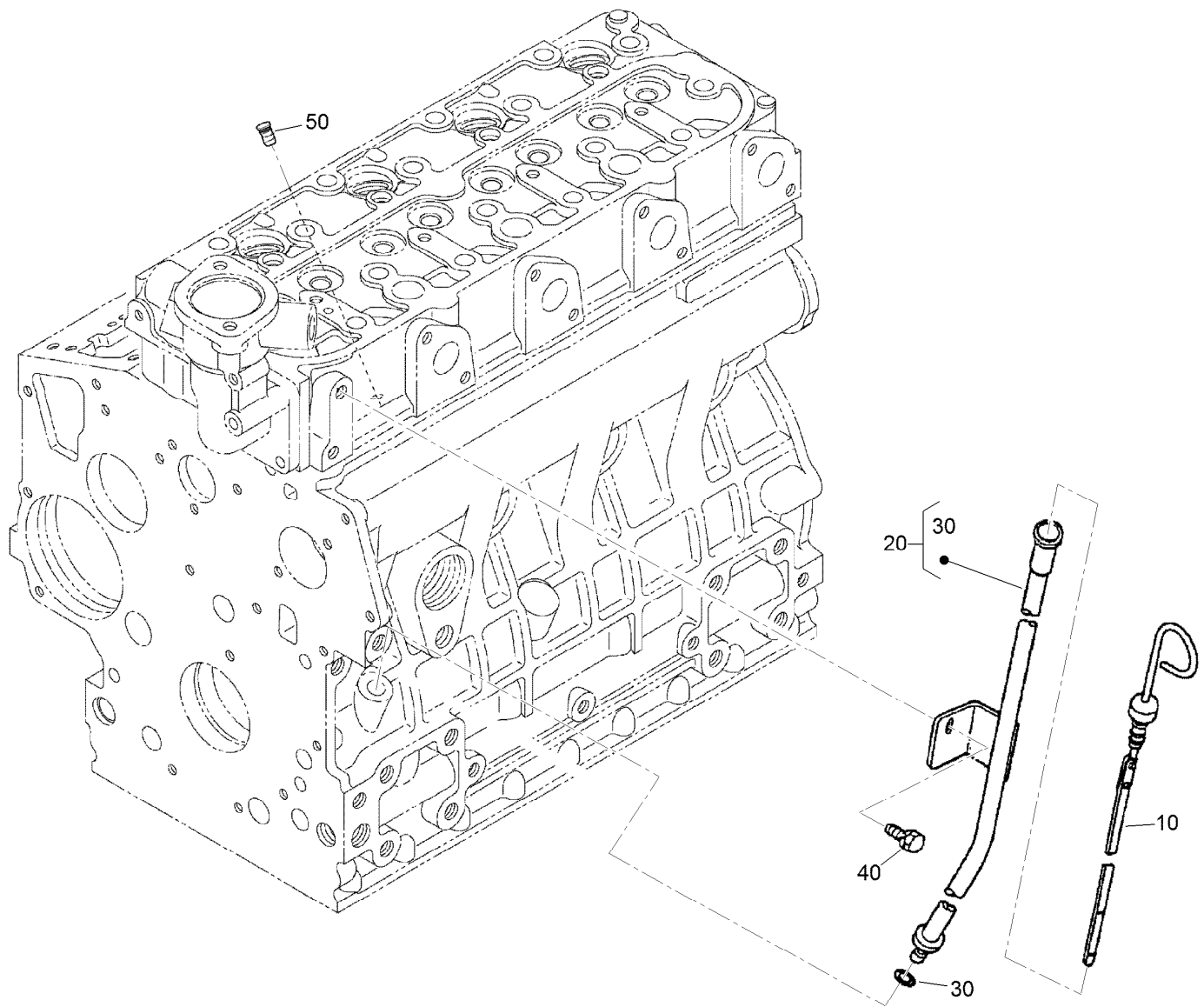
Gear Case and Oil Filter Cartridge Assembly

<i>Ref.</i>	<i>Part Number</i>	<i>Qty.</i>	<i>Description</i>	<i>Ref.</i>	<i>Part Number</i>	<i>Qty.</i>	<i>Description</i>
10	131-3833	1	Gear Case ASM	140	98-9356	4	Bolt
20	127-0425	2	Plug	150	107-9074	1	Bolt
30	98-7487	1	Plug	160	99-3510	1	Bolt
40	130-1508	1	Rotor ASM	170	105-3709	1	Stud
50	130-1509	1	Cover-Pump, Oil	180	100-2203	1	Nut-Flange
60	130-1164	5	Screw-Binding	200	119-8038	1	Seal-Oil
80	130-1511	1	Spring	210	105-3710	2	Stud
90	130-1510	1	Valve-Relief	220	99-3515	1	Plug-Gearcase
110	98-9633	1	Gasket-Case, Gear	230	127-0511	1	Filter-Oil
120	100-1765	3	Bolt	240	104-5159	1	Holder ASM
130	125-9063	4	Bolt-Sems	250	98-9727	1	Collar



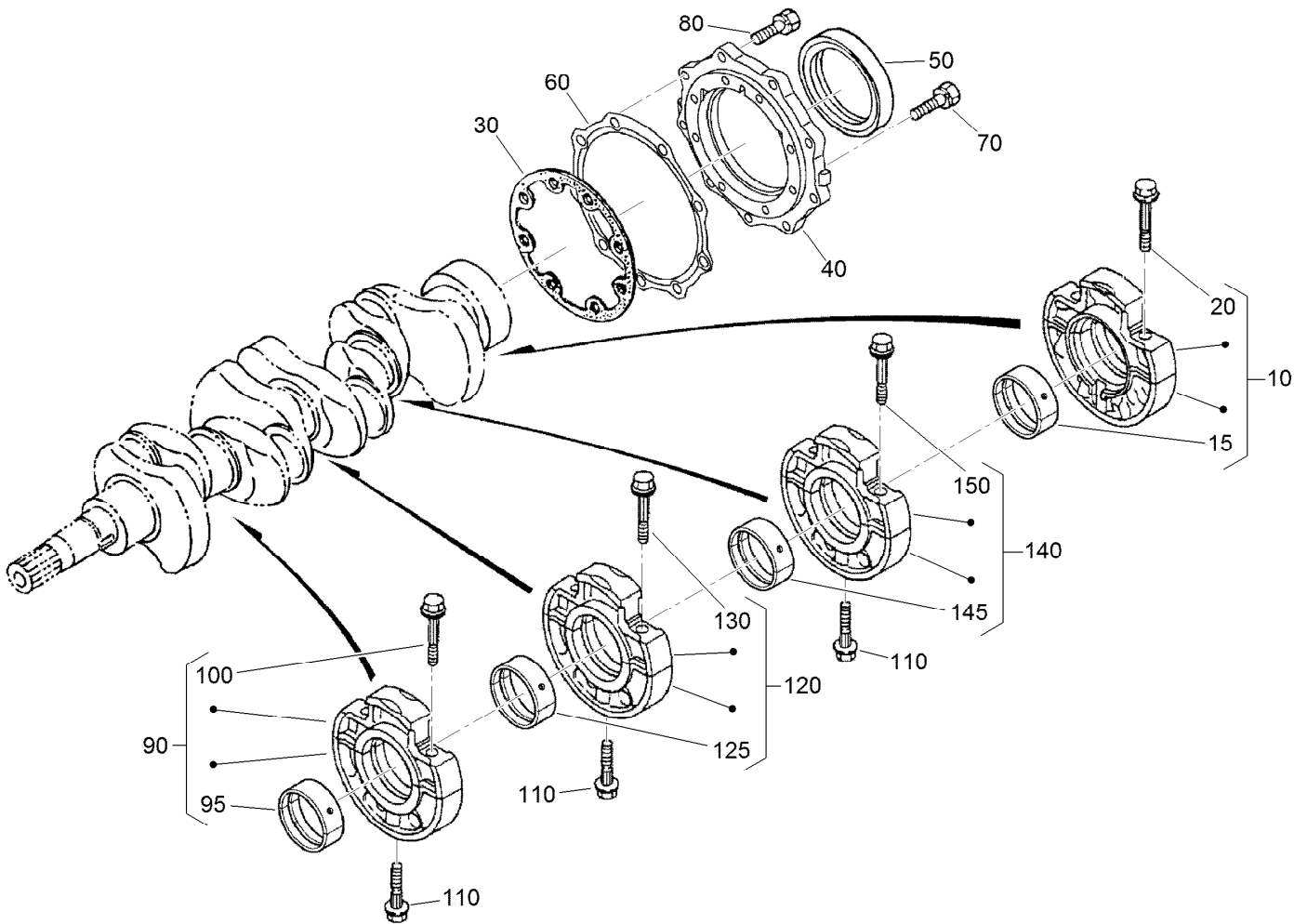
Cylinder Head Cover Assembly

<i>Ref.</i>	<i>Part Number</i>	<i>Qty.</i>	<i>Description</i>
10	105-3711	1	Cylinder Head Cover ASM
20	105-3712	1	Gasket-Cover, Head
30	98-9492	1	Joint-Pipe, Breather
40	98-9488	1	Plate-Element, Breather
50	98-9489	1	Plate-Element, Breather
60	98-9493	1	Element-Breather
70	98-9490	1	Shield-Oil, Breather
80	98-9364	2	Screw (With Washer)
90	98-9455	4	Nut-Cap
100	98-9454	4	Gasket
110	107-9075	1	Plug-Filler, Oil
120	131-3834	1	O Ring
130	98-9491	1	Pipe-Breather



Oil Dipstick and Guide Assembly

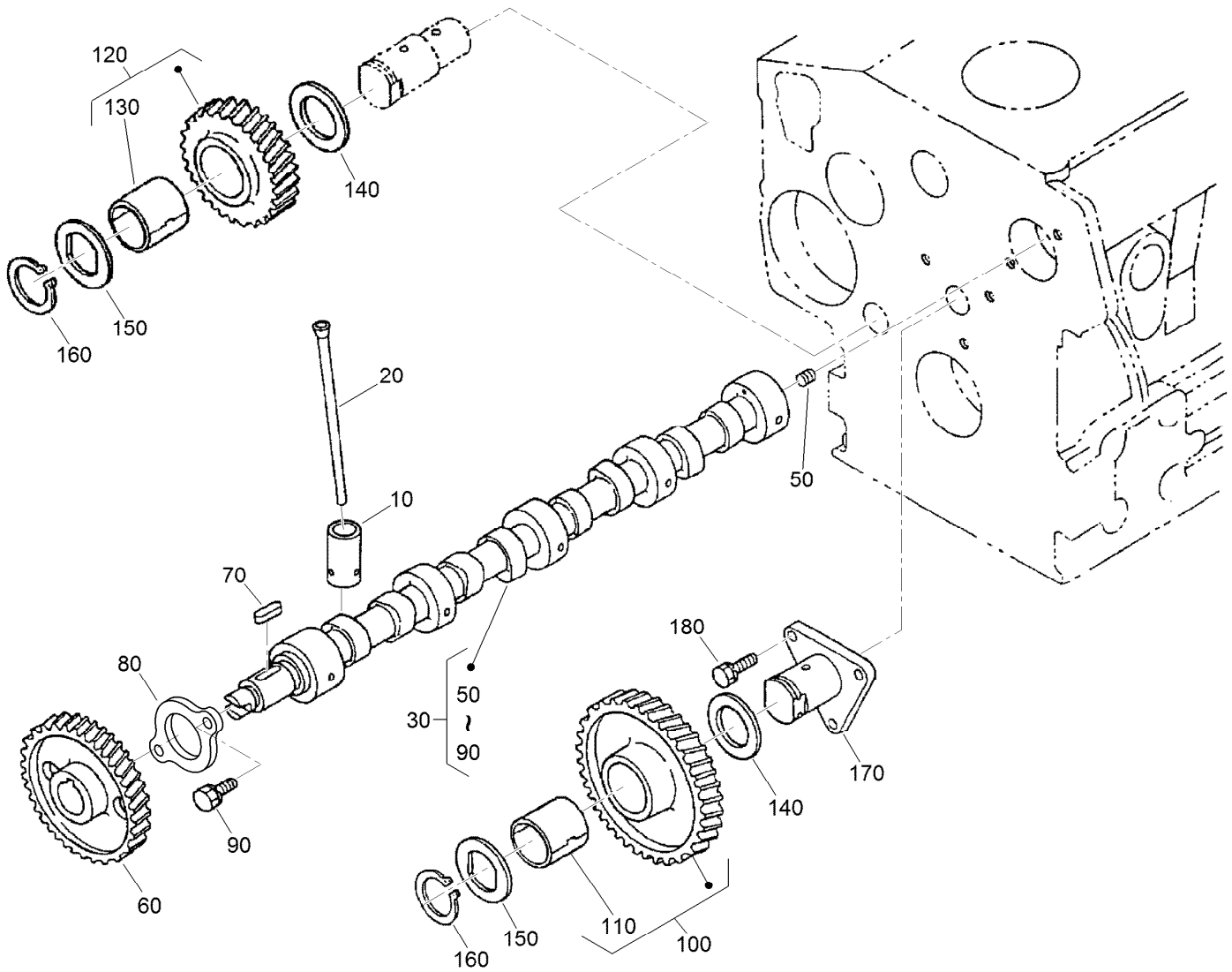
<i>Ref.</i>	<i>Part Number</i>	<i>Qty.</i>	<i>Description</i>
10	120-3124	1	Gauge-Oil
20	98-9672	1	Oil Gauge Guide ASM
30	98-9722	1	O-Ring
40	AU126123A1	1	Bolt
50	110-3720	1	Plug-Gauge, Oil



Main Bearing Case Assembly

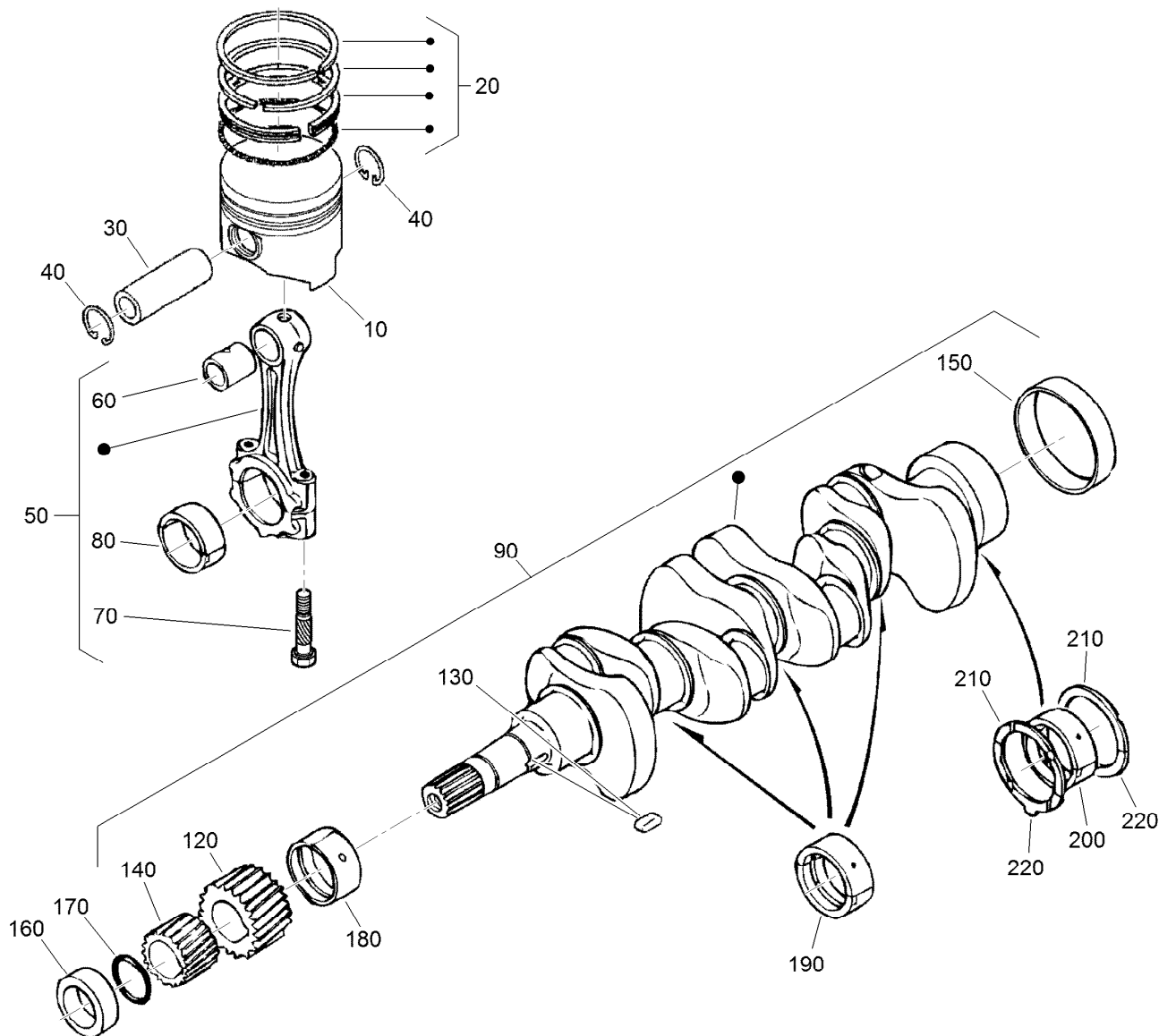
<i>Ref.</i>	<i>Part Number</i>	<i>Qty.</i>	<i>Description</i>
10	112-7026	1	Wheel Bearing Case ASM
15	115-4121	1	Metal-Crankshaft (STD)
20	98-9484	2	Bolt-Case, Bearing
30	131-6554	1	Gasket-Case, Bearing
40	112-7046	1	Cover-Case, Bearing
50	112-0180	1	Seal-Oil
60	112-7037	1	Gasket-Cover, Case
70	127-0441	8	Bolt
80	127-0442	9	Bolt
90	131-3835	1	Bearing Case ASM

<i>Ref.</i>	<i>Part Number</i>	<i>Qty.</i>	<i>Description</i>
95	98-9524	1	Metal-Crankshaft (STD Set)
100	98-9484	2	Bolt-Case, Bearing
110	98-9485	3	Bolt-Case, Bearing
120	131-3836	1	Bearing Case ASM
125	98-9524	1	Metal-Crankshaft (STD Set)
130	98-9484	2	Bolt-Case, Bearing
140	131-3837	1	Bearing Case ASM
145	98-9524	1	Metal-Crankshaft (STD Set)
150	98-9484	2	Bolt-Case, Bearing



Cam Shaft and Idle Gear Assembly

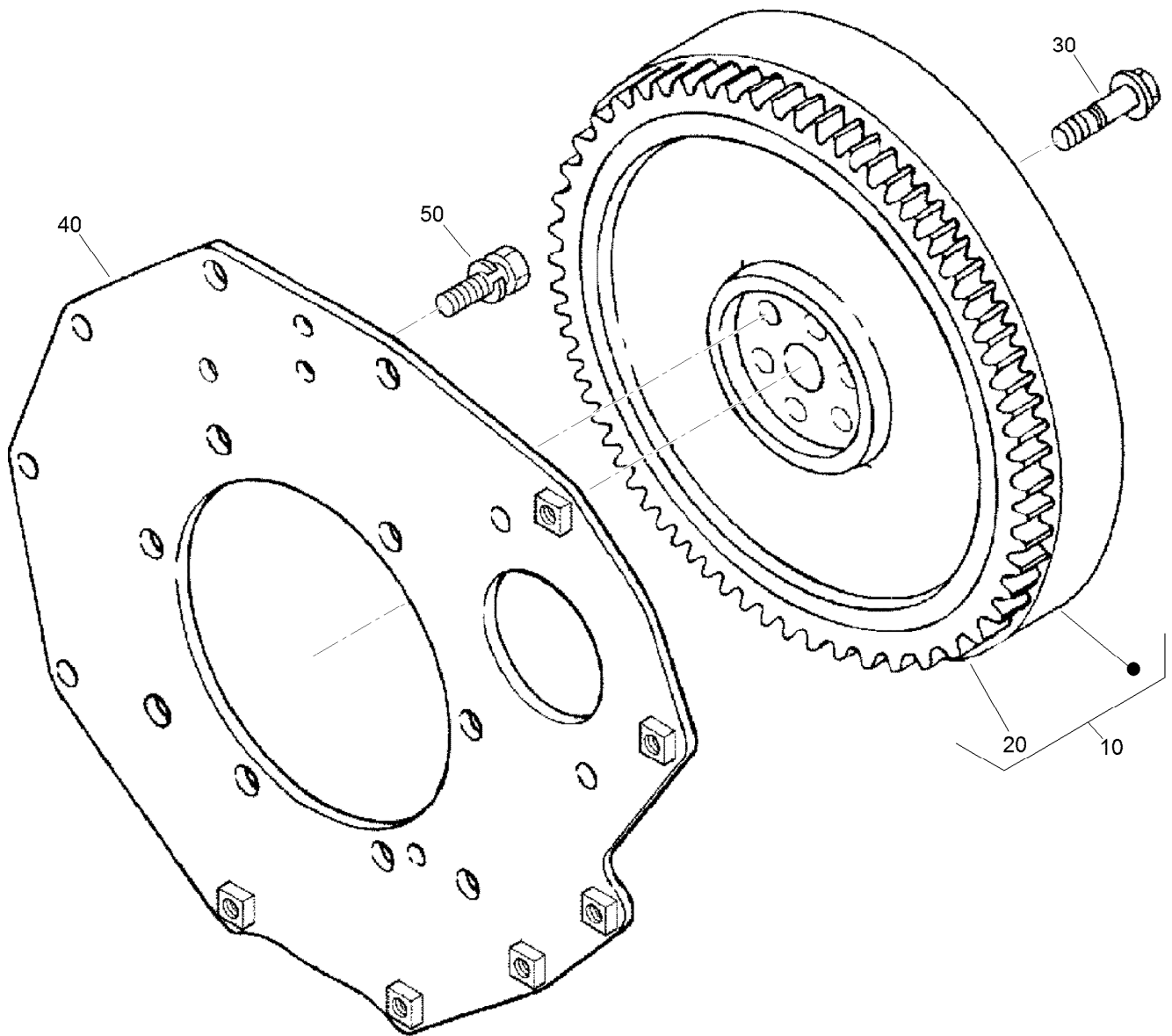
<i>Ref.</i>	<i>Part Number</i>	<i>Qty.</i>	<i>Description</i>	<i>Ref.</i>	<i>Part Number</i>	<i>Qty.</i>	<i>Description</i>
10	112-0185	8	Tappet	110	117-7585	1	Bushing-Gear, Idle
20	127-0421	8	Rod-Push	120	130-1259	1	Idler Gear ASM
30	112-8402	1	Camshaft ASM	130	117-7585	1	Bushing-Gear, Idle
50	110-3729	1	Ball	140	98-9535	2	Collar-Gear, Idle
60	98-9512	1	Gear-Cam	150	98-9536	2	Collar-Gear, Idle
70	98-9378	1	Key-Feather	160	98-9534	2	Circlip-Gear, Idle
80	131-6555	1	Stopper (Camshaft)	170	98-9533	1	Shaft-Gear, Idle
90	98-7692	2	Bolt	180	98-7692	3	Bolt
100	117-7584	1	Idler Gear ASM				



Piston and Crankshaft Assembly

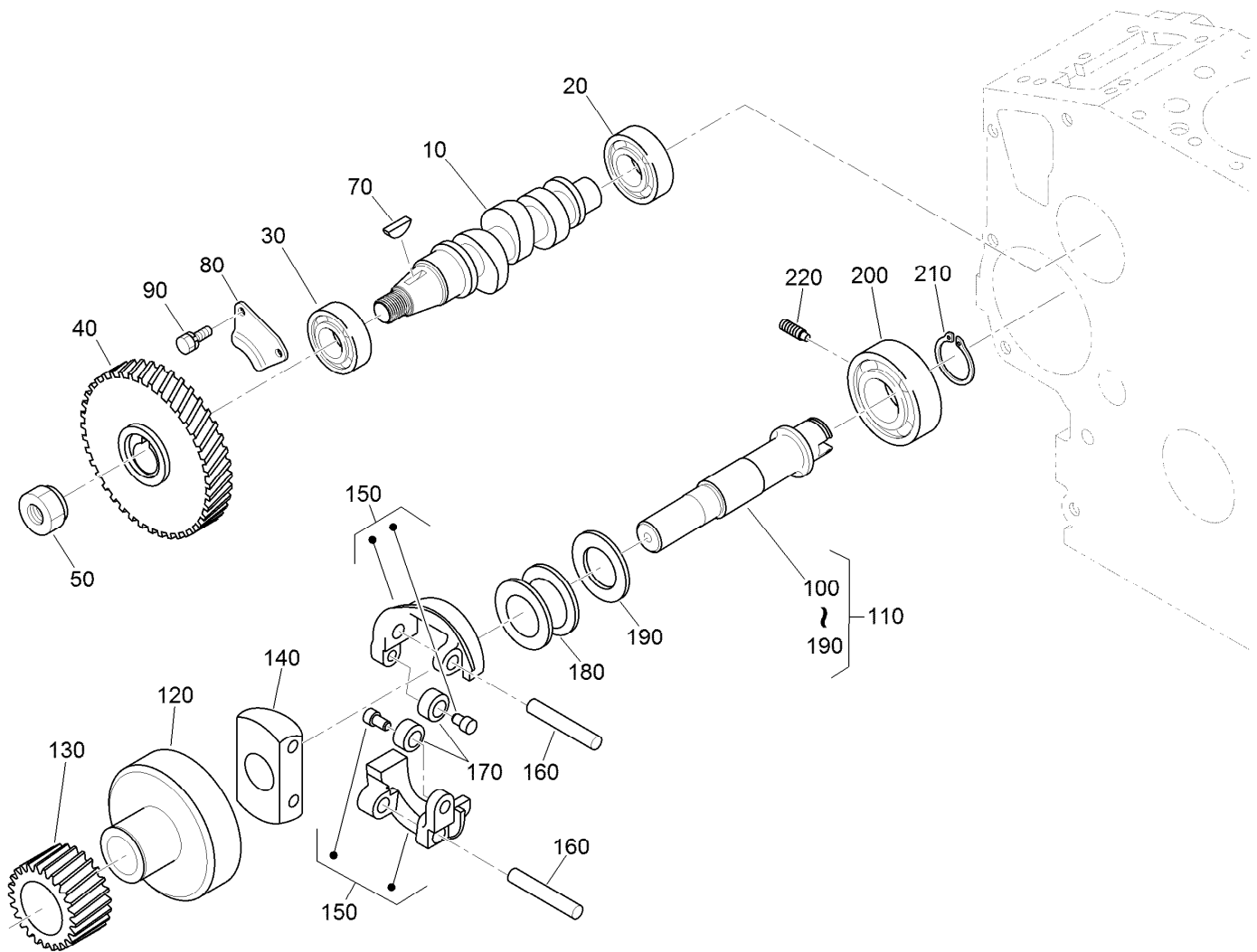
Ref.	Part Number	Qty.	Description
10	98-9550	4	Piston (STD)
10	108-1417	1	Piston (+0.5Mm)
20	98-9551	4	Piston Ring ASM (STD)
20	108-1404	1	Piston Ring ASM (+0.5Mm)
30	98-9513	4	Pin-Piston
40	98-9514	8	Circlip-Pin, Piston
50	117-7586	4	Connecting Rod ASM
60	115-3014	4	Bushing-Pin, Piston
70	98-9517	8	Bolt-Rod, Connecting
80	98-9553	4	Bearing-Rod (STD)
80	98-9519	1	Bearing-Rod (-0.2Mm)
80	117-7588	1	Metal-Crankpin (-0.4Mm)
90	120-2561	1	Crankshaft ASM
120	117-7561	1	Gear-Crankshaft
130	98-9666	1	Key
140	127-0445	1	Gear-Drive, Oil Pump
150	98-9522	1	Sleeve-Crankshaft

Ref.	Part Number	Qty.	Description
160	127-0444	1	Collar-Crankshaft
170	105-3783	1	O-Ring
180	112-7005	1	Bearing-Main (STD)
180	98-9528	1	Bearing-Main (-0.2Mm)
180	127-0432	1	Metal-Crankshaft (-0.4Mm)
190	98-9524	3	Metal-Crankshaft (STD Set)
190	127-0433	3	Metal-Crankshaft (-0.2Mm)
190	98-9531	3	Bearing-Main (0.4Mm)
200	115-4121	1	Metal-Crankshaft (STD)
200	112-7039	1	Metal-Crankshaft (0.2Mm)
200	112-7040	1	Metal-Crankshaft (-0.4Mm)
210	98-9413	2	Bearing-Thrust (STD)
210	127-0416	1	Metal-Side (+0.2Mm)
210	127-0417	1	Metal-Side (+0.40Mm)
220	98-9688	2	Bearing-Thrust (STD)
220	127-0437	1	Metal-Side (+0.2Mm)
220	127-0438	1	Metal-Side (+0.40Mm)



Flywheel Assembly

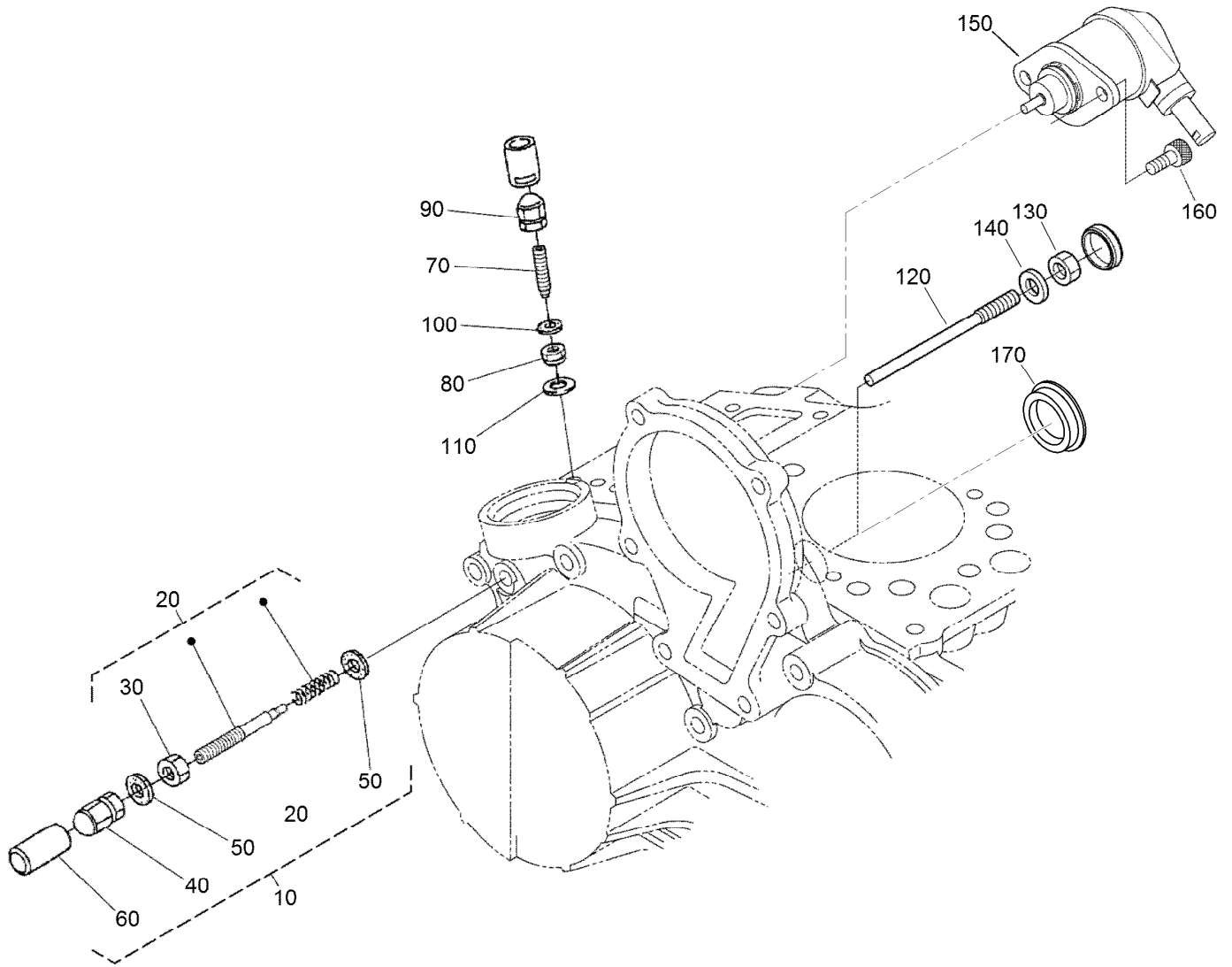
<i>Ref.</i>	<i>Part Number</i>	<i>Qty.</i>	<i>Description</i>
10	105-3721	1	Flywheel ASM
20	115-3015	1	Gear-Ring
30	98-9537	6	Bolt-Flywheel
40	98-9486	1	Plate-End, Rear
50	98-9392	8	Bolt



Fuel Camshaft and Governor Shaft Assembly

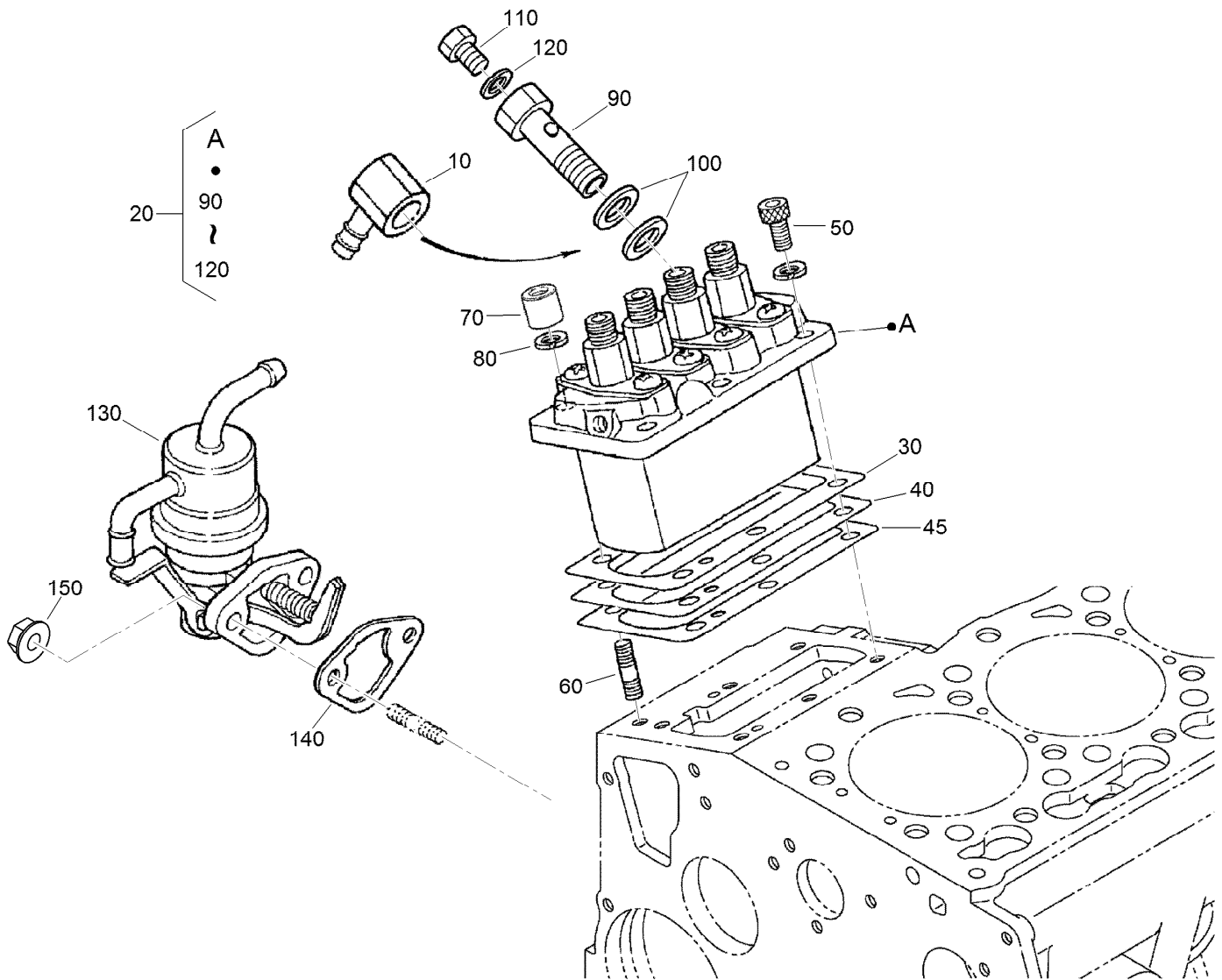
Ref.	Part Number	Qty.	Description
10	105-3723	1	Camshaft-Fuel
20	107-9077	1	Bearing-Ball
30	107-9078	1	Bearing-Ball
40	98-9669	1	Gear-Pump, Injection
50	130-1512	1	Nut
70	98-9595	1	Key-Woodruff
80	98-9511	1	Stopper-Fuel, Camshaft
90	98-7692	2	Bolt
100	130-1261	1	Governor Shaft ASM
110	105-3725	1	Shaft-Governor
120	98-9562	1	Holder-Gear, Governor

Ref.	Part Number	Qty.	Description
130	130-1264	1	Gear-Governor
140	98-9561	1	Holder-Weight, Governor
150	130-1263	2	Governor Weight ASM
160	98-9560	2	Shaft-Weight, Governor
170	98-9692	2	Roller
180	98-9563	1	Sleeve-Governor
190	98-9564	1	Washer-Thrust
200	107-9079	1	Bearing-Ball
210	98-9657	1	Circlip-Shaft, Governor
220	98-9565	1	Screw-Set



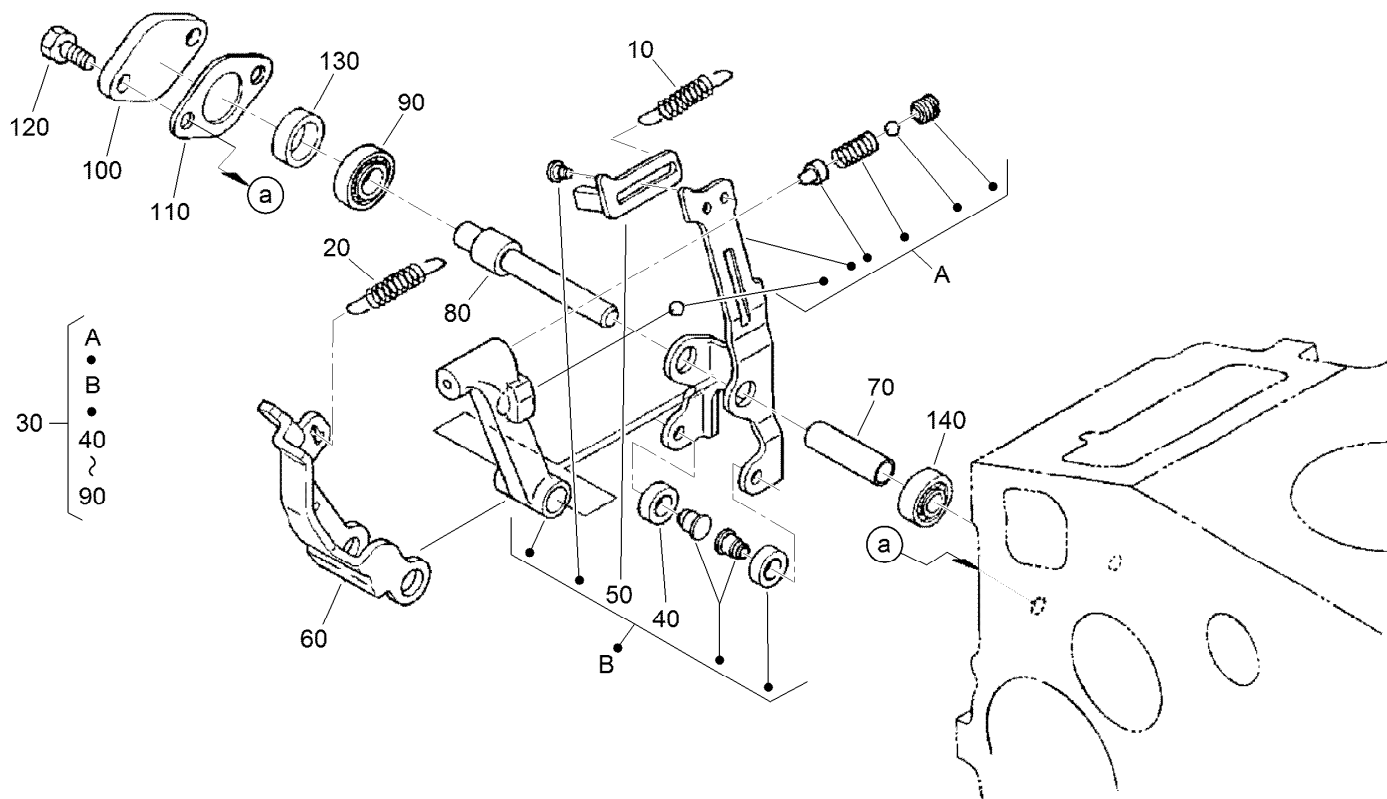
Idle Apparatus and Stop Solenoid Assembly

<i>Ref.</i>	<i>Part Number</i>	<i>Qty.</i>	<i>Description</i>	<i>Ref.</i>	<i>Part Number</i>	<i>Qty.</i>	<i>Description</i>
10	98-9678	1	Idle Apparatus ASM	100	98-7654	1	Gasket
20	112-7014	1	Adjusting Bolt ASM	110	107-9081	1	Gasket
30	98-9439	1	Nut	120	131-3838	1	Bolt
40	112-0181	1	Nut	130	98-7572	1	Nut
50	98-7654	2	Gasket	140	98-7654	1	Gasket
60	98-7656	1	Cap	150	104-5155	1	Solenoid-Stop
70	112-7015	1	Bolt-Adjusting	160	130-1155	2	Screw-HSH
80	100-2175	1	Nut-Lock	170	112-7016	1	Cover-Pump
90	112-0181	1	Nut				



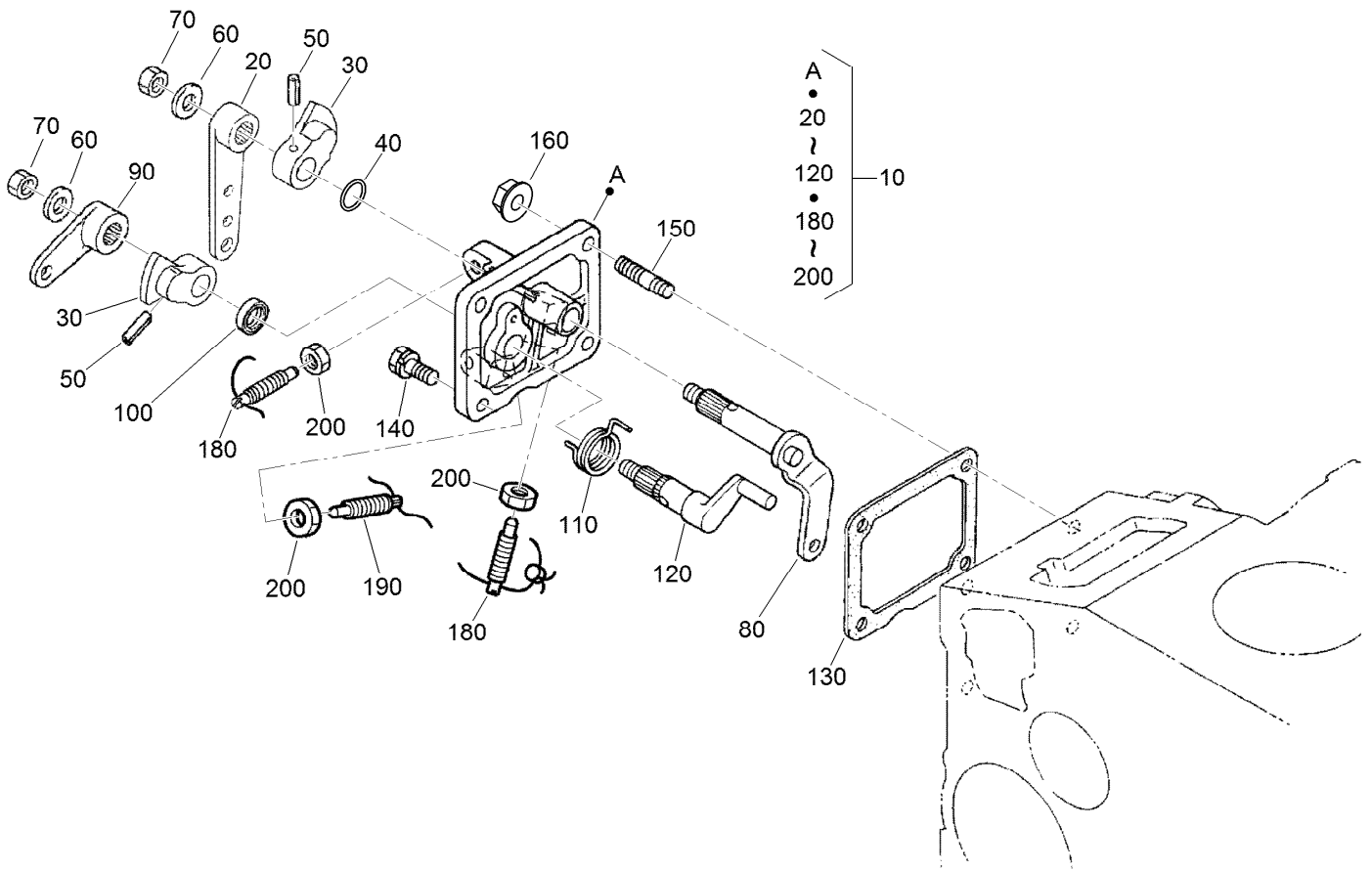
Injection Pump and Fuel Pump Assembly

Ref.	Part Number	Qty.	Description	Ref.	Part Number	Qty.	Description
10	98-9596	1	Joint-Eye	50	117-7564	3	Bolt-Hex Soc HD
20	105-3727	1	Injection Pump ASM	60	98-9438	3	Stud
30	105-3728	1	Shim-Pump, Injection (.20Mm)	70	98-9440	3	Nut-Cap
30	105-3729	1	Shim-Pump, Injection (.25Mm)	80	98-7699	3	Washer-Spring
40	105-3730	1	Shim-Pump, Injection (.30Mm)	90	98-9464	1	Bolt-Joint
40	115-3016	1	Shim-Pump, Injection (.350Mm)	100	98-9445	2	Gasket
45	115-3017	1	Shim-Pump, Injection (.175Mm)	110	98-9430	1	Screw
				120	98-9446	1	Gasket
				130	98-9677	1	Fuel Pump ASM
				140	117-7562	1	Gasket-Pump, Fuel
				150	100-2203	2	Nut-Flange



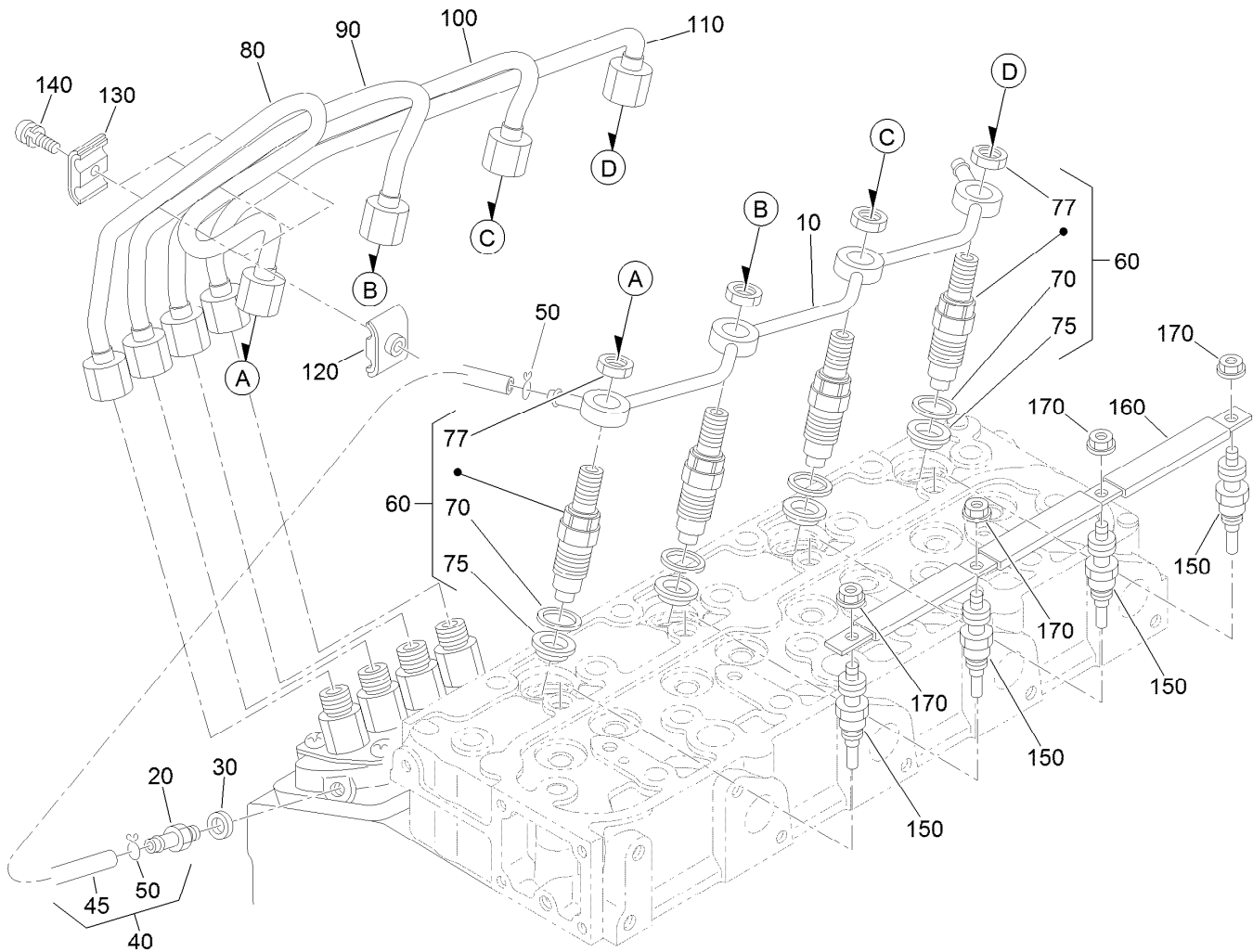
Governor Assembly

<i>Ref.</i>	<i>Part Number</i>	<i>Qty.</i>	<i>Description</i>
10	105-3741	1	Spring-Start
20	98-9681	1	Spring-Governor
30	117-7567	1	Fork Lever ASM
40	98-9692	2	Roller
50	107-9083	1	Lever-Thrust
60	107-9084	1	Lever-Fork
70	107-9085	1	Shaft-Lever, Fork
80	107-9086	1	Shaft-Lever, Fork
90	98-9570	1	Bearing-Miniaturize
100	115-4122	1	Cover-Shaft, Fork Lever
110	98-9682	1	Gasket
120	98-9350	2	Bolt
130	98-9567	1	Collar
140	98-9571	1	Bearing-Miniaturize



Speed Control Plate Assembly

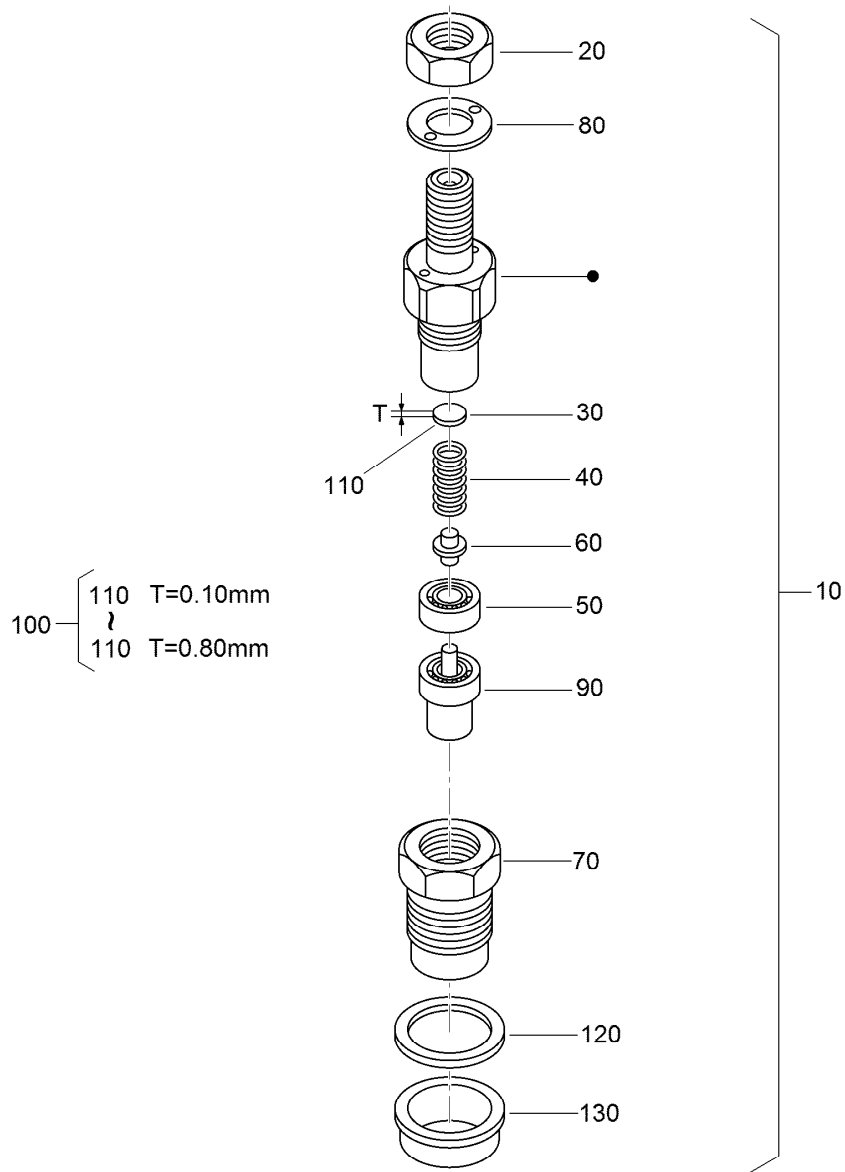
<i>Ref.</i>	<i>Part Number</i>	<i>Qty.</i>	<i>Description</i>	<i>Ref.</i>	<i>Part Number</i>	<i>Qty.</i>	<i>Description</i>
10	98-9661	1	Control Plate ASM	110	98-9472	1	Spring-Return
20	98-9662	1	Lever-Control, Speed	120	98-9664	1	Shaft-Lever, Stop
30	98-9572	2	Lever-Control, Speed	130	98-9637	1	Gasket
40	105-3788	1	O-Ring	140	98-7692	2	Bolt
50	98-7602	2	Pin-Spring	150	105-3710	2	Stud
60	98-9594	2	Washer-Plain	160	100-2203	2	Nut-Flange
70	98-9589	2	Nut	180	117-7565	2	Bolt-Adjusting
80	98-9658	1	Governor Lever ASM	190	117-7566	1	Bolt-Adjusting
90	98-9663	1	Lever-Stop, Engine	200	98-7572	3	Nut
100	98-7601	1	Seal-Oil				



Nozzle Holder and Glow Plug Assembly

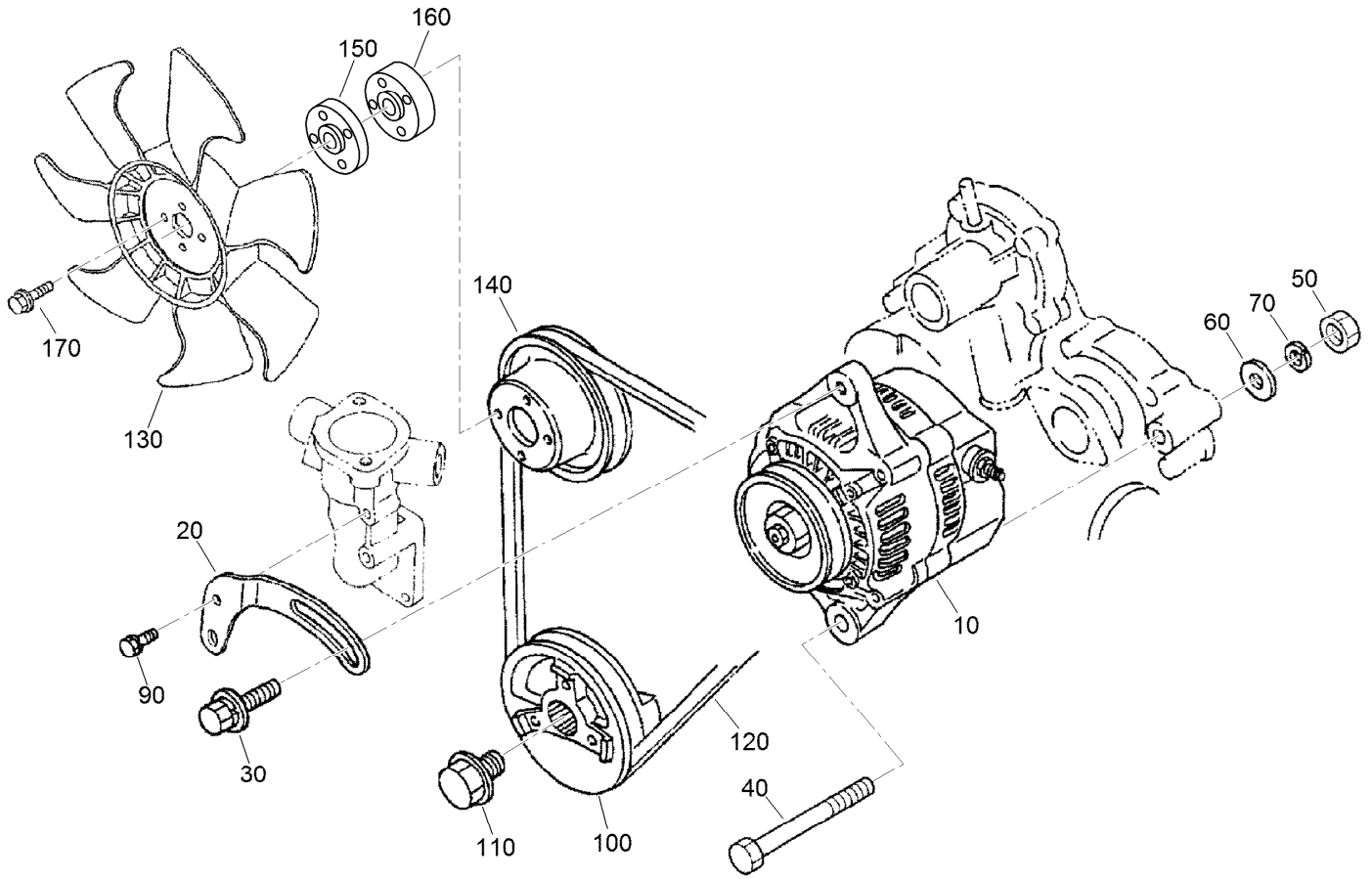
<i>Ref.</i>	<i>Part Number</i>	<i>Qty.</i>	<i>Description</i>
10	105-3737	1	Over Flow Pipe ASM
20	98-9431	1	Screw-Bleeder, Air
30	98-7654	1	Gasket
40	98-9420	1	Overflow Pipe ASM
45	112-0182	1	Pipe-Overflow
50	98-7671	2	Clip-Pipe
60	130-1376	1	Nozzle Holder Kit
70	98-7676	4	Gasket
75	98-7677	4	Seal-Heat
77	121-2411	4	Nut

<i>Ref.</i>	<i>Part Number</i>	<i>Qty.</i>	<i>Description</i>
80	98-9622	1	Pipe-Injection
90	98-9654	1	Pipe-Injection
100	98-9655	1	Pipe-Injection
110	105-3738	1	Pipe-Injection
120	98-7682	3	Clamp-Pipe
130	98-7683	3	Clamp-Pipe
140	98-7684	3	Screw (W/Washer)
150	98-9623	4	Plug-Glow
160	105-3739	1	Cord-Plug, Glow
170	99-8377	4	Nut-Flange



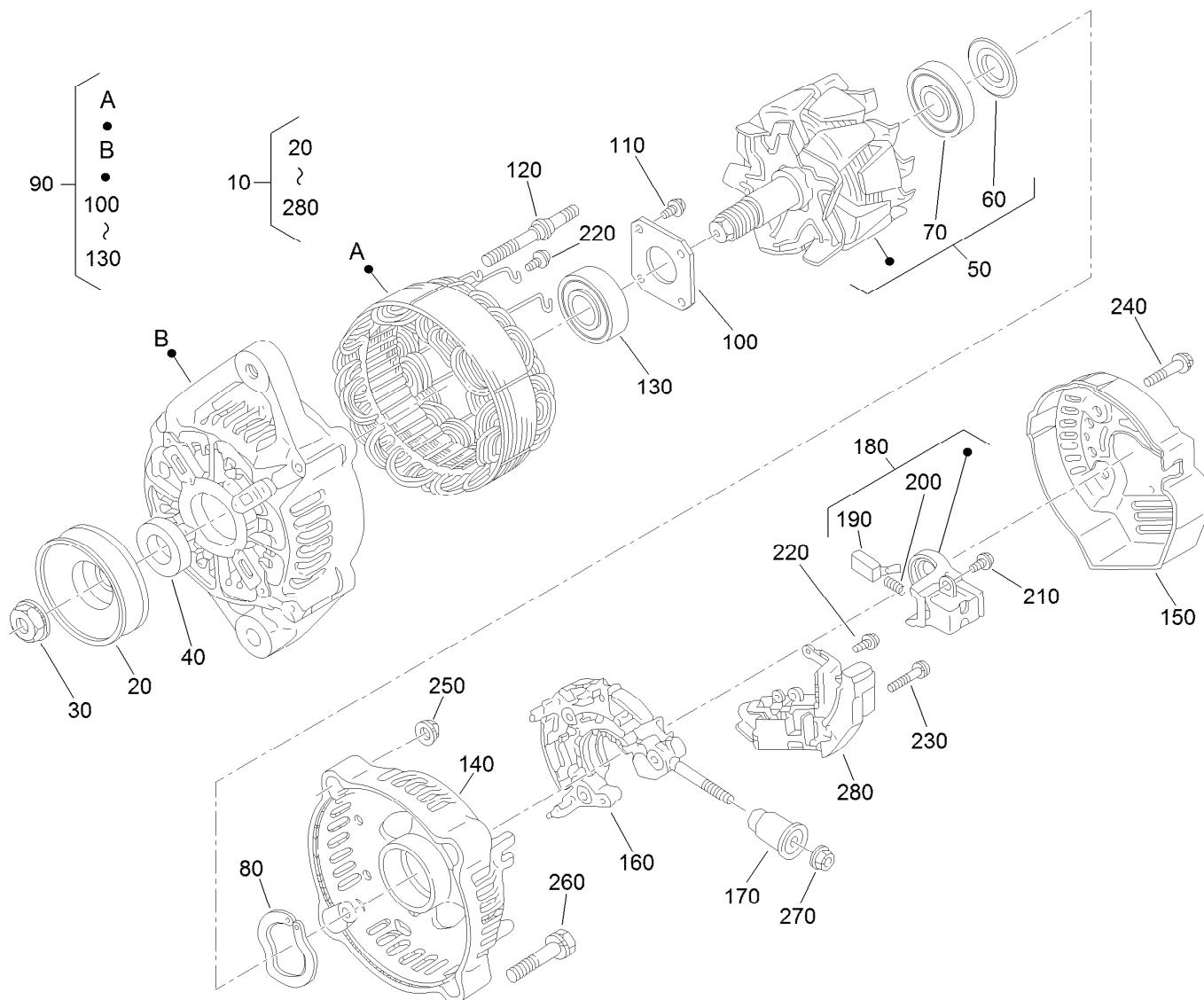
Nozzle Holder Assembly

Ref.	Part Number	Qty.	Description	Ref.	Part Number	Qty.	Description
10	108-2866	4	Nozzle Holder Kit	110	99-8311	4	Washer-Adjust (0.20Mm)
20	121-2411	4	Nut	110	99-8312	4	Washer-Adjust (0.30Mm)
30	99-8302	4	Washer-Adjusting	110	99-8313	4	Washer-Adjust (0.40Mm)
40	99-8303	4	Spring-Nozzle	110	99-8314	4	Washer-Adjust (0.50Mm)
50	99-8304	4	Spacer-Distance	110	99-8315	4	Washer-Adjust (0.52Mm)
60	99-8305	4	Rod-Push	110	99-8316	4	Washer-Adjust (0.54Mm)
70	99-8306	4	Nut-Nozzle	110	99-8317	4	Washer-Adjust (0.56Mm)
80	99-8307	4	Washer-Plain	110	99-8318	4	Washer-Adjust (0.58Mm)
90	107-7826	4	Piece-Nozzle	110	99-8319	4	Washer-Adjust (0.80Mm)
100	99-8309	4	Adjusting Washer ASM	120	98-7676	4	Gasket
110	99-8310	4	Washer-Adjust (0.10Mm)	130	98-7677	4	Seal-Heat



Alternator, Pulley and Fan Assembly

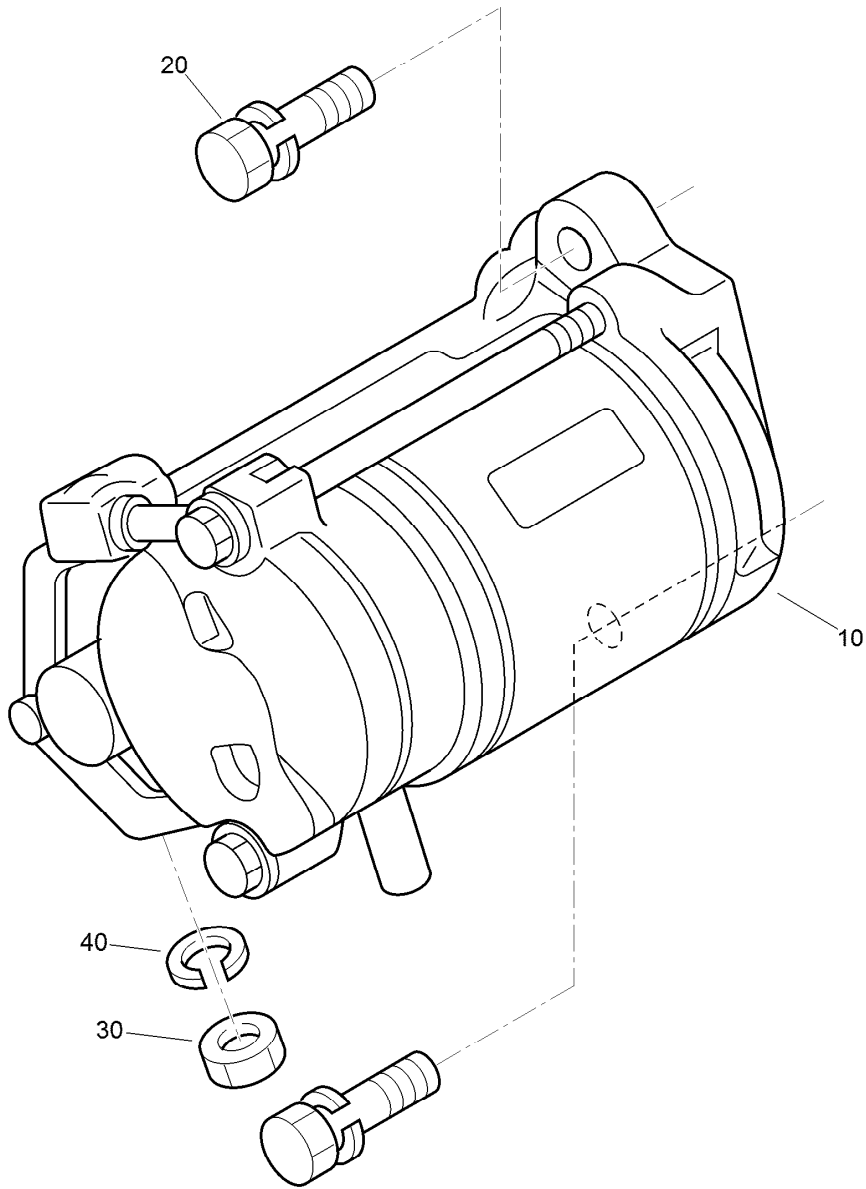
Ref.	Part Number	Qty.	Description	Ref.	Part Number	Qty.	Description
10	121-3811	1	Alternator ASM	100	105-3745	1	Pulley-Drive, Fan
20	112-7047	1	Stay-Dynamo	110	98-9585	1	Bolt
30	108-7088	1	Bolt	120	98-9676	1	V-Belt
40	98-9360	1	Bolt	130	131-3839	1	Fan
50	98-7737	1	Nut	140	110-0972	1	Pulley
60	98-9366	1	Washer-Plain	150	105-0000	1	Spacer-Fan
70	99-7527	1	Washer-Spring	160	109-2675	1	Spacer-Fan, 21Mm
90	98-7692	1	Bolt	170	131-3840	4	Bolt-Flange



Alternator Components Assembly No. 121-3811

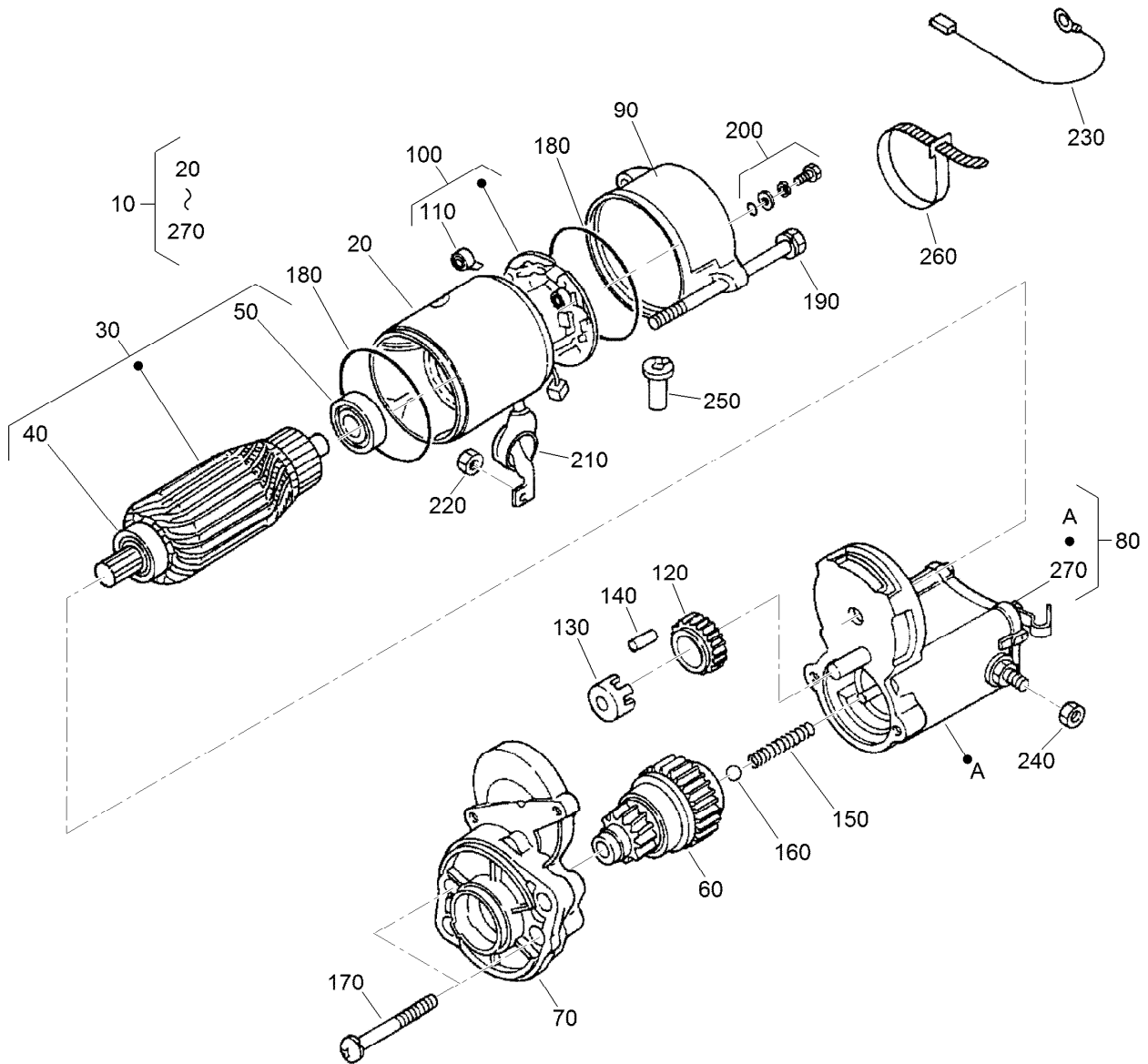
Ref.	Part Number	Qty.	Description
10	121-3811	1	Alternator ASM
20	98-9453	1	Pulley-Dynamo
30	98-7708	1	Nut
40	98-7709	1	Collar
50	107-0136	1	Rotor ASM
60	98-7711	1	Cover-Bearing
70	107-0138	1	Bearing-Ball
80	98-7713	1	Washer-Thrust
90	107-0139	1	Drive End Frame ASM
100	98-7715	1	Plate-Retainer
110	98-7716	4	Screw-Head, Round
120	98-7717	2	Bolt-Through
130	131-6560	1	*obs* Bearing-Ball
140	121-3812	1	Frame-End

Ref.	Part Number	Qty.	Description
150	121-3813	1	Cover-End
160	121-3805	1	Rectifier ASM
170	117-0321	1	Insulation-Brush
180	107-0141	1	Brush Holder ASM
190	98-7724	2	Brush
200	98-7725	2	Spring-Brush
210	98-7726	2	Screw-Head, Round
220	98-7727	6	Screw-Head, Round
230	98-7728	1	Screw-Head, Round
240	98-7729	3	Bolt
250	98-7730	2	Nut
260	98-7731	2	Bolt
270	98-7732	1	Nut
280	121-3809	1	Regulator ASM



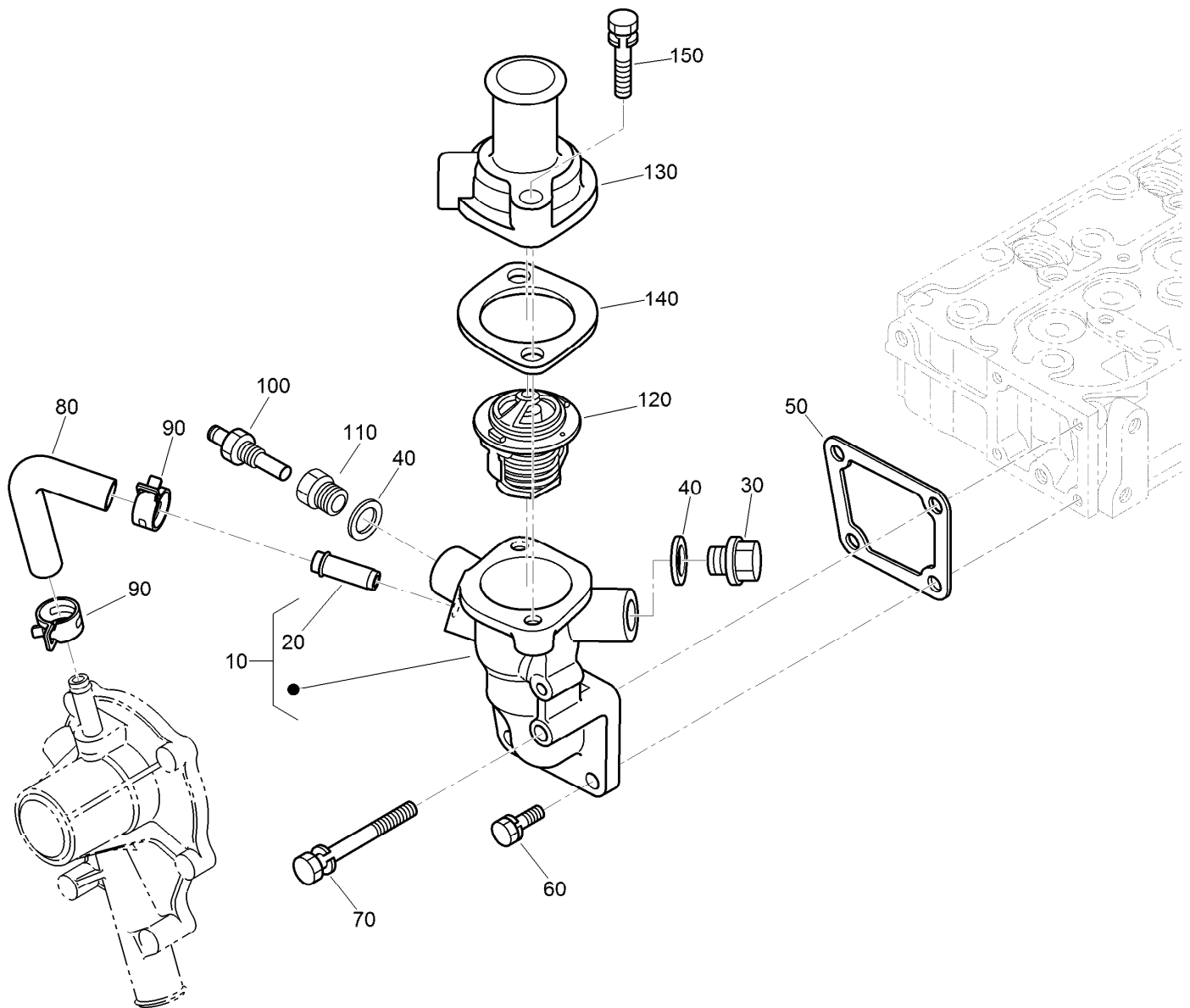
Starter Installation Assembly

<i>Ref.</i>	<i>Part Number</i>	<i>Qty.</i>	<i>Description</i>
10	98-9705	1	Starter ASM
20	98-7697	2	Bolt
30	98-7739	1	Nut
40	131-9579	1	Washer-Spring, Lock



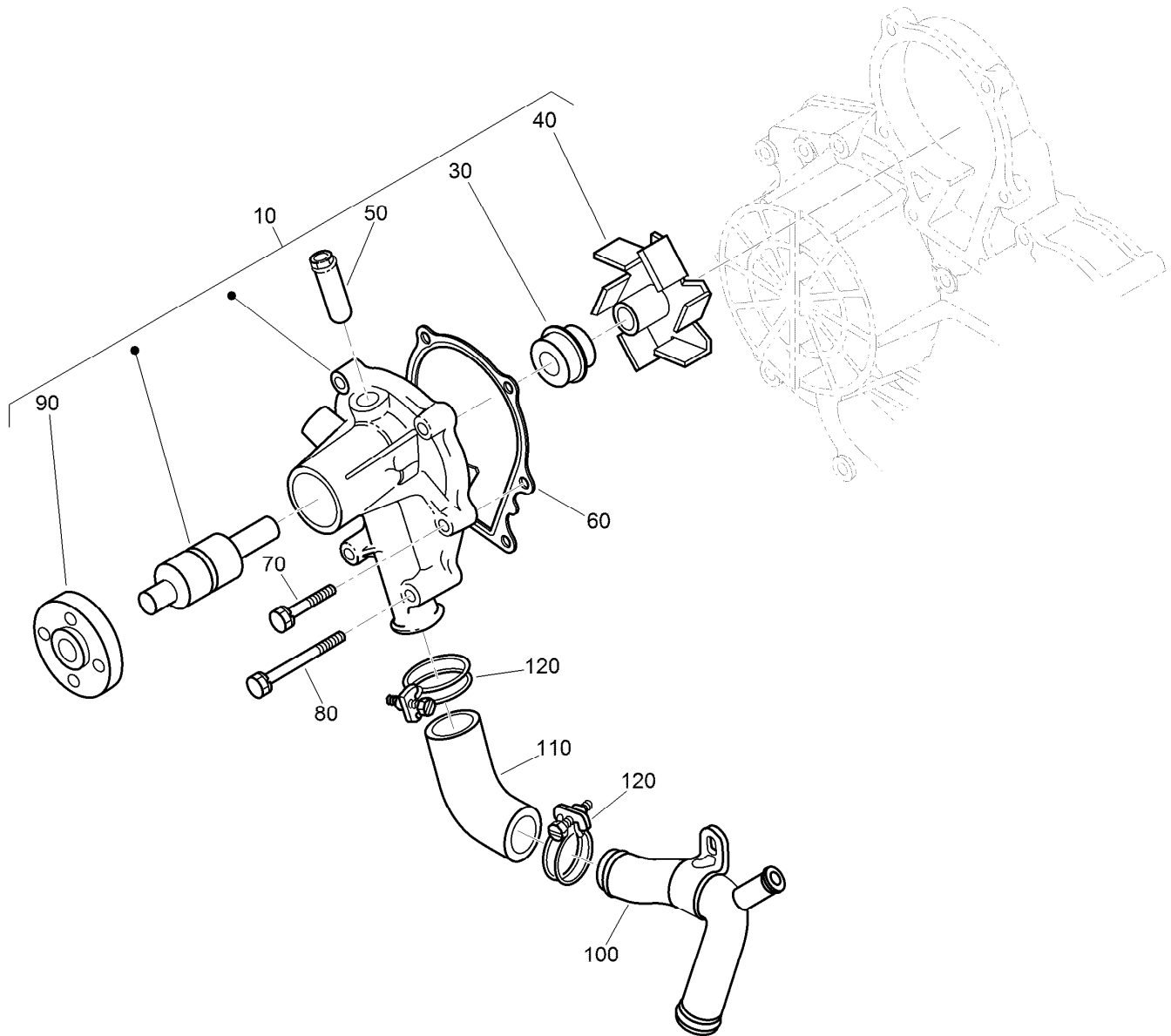
Starter Component Part Assembly No. 111-7496

<i>Ref.</i>	<i>Part Number</i>	<i>Qty.</i>	<i>Description</i>	<i>Ref.</i>	<i>Part Number</i>	<i>Qty.</i>	<i>Description</i>
10	98-9705	1	Starter ASM	150	98-7754	1	Spring
20	104-8608	1	Yoke ASM	160	98-7755	1	Ball
30	98-7742	1	Armature ASM	170	98-7756	2	Bolt
40	98-7744	1	Bearing	180	98-7757	2	O-Ring
50	98-7743	1	Bearing	190	100-9240	2	Bolt
60	99-8373	1	Clutch-Running, Over	200	98-7758	2	Bolt ASM
70	99-8374	1	Frame-End, Drive	210	99-8375	1	Cover
80	105-3746	1	Magnetic Switch ASM	220	99-8371	1	Nut-Hex
90	98-7748	1	Frame-End	230	98-9711	1	Cord-Solenoid, Stop
100	98-7749	1	Brush Holder ASM	240	99-8376	1	Nut-Hex
110	98-7750	4	Spring-Brush	250	98-7759	1	Pipe-Drain
120	98-7751	1	Gear	260	98-9712	1	Band-Cover
130	98-7752	1	Retainer	270	105-2886	1	Cover ASM
140	98-7753	5	Roller				



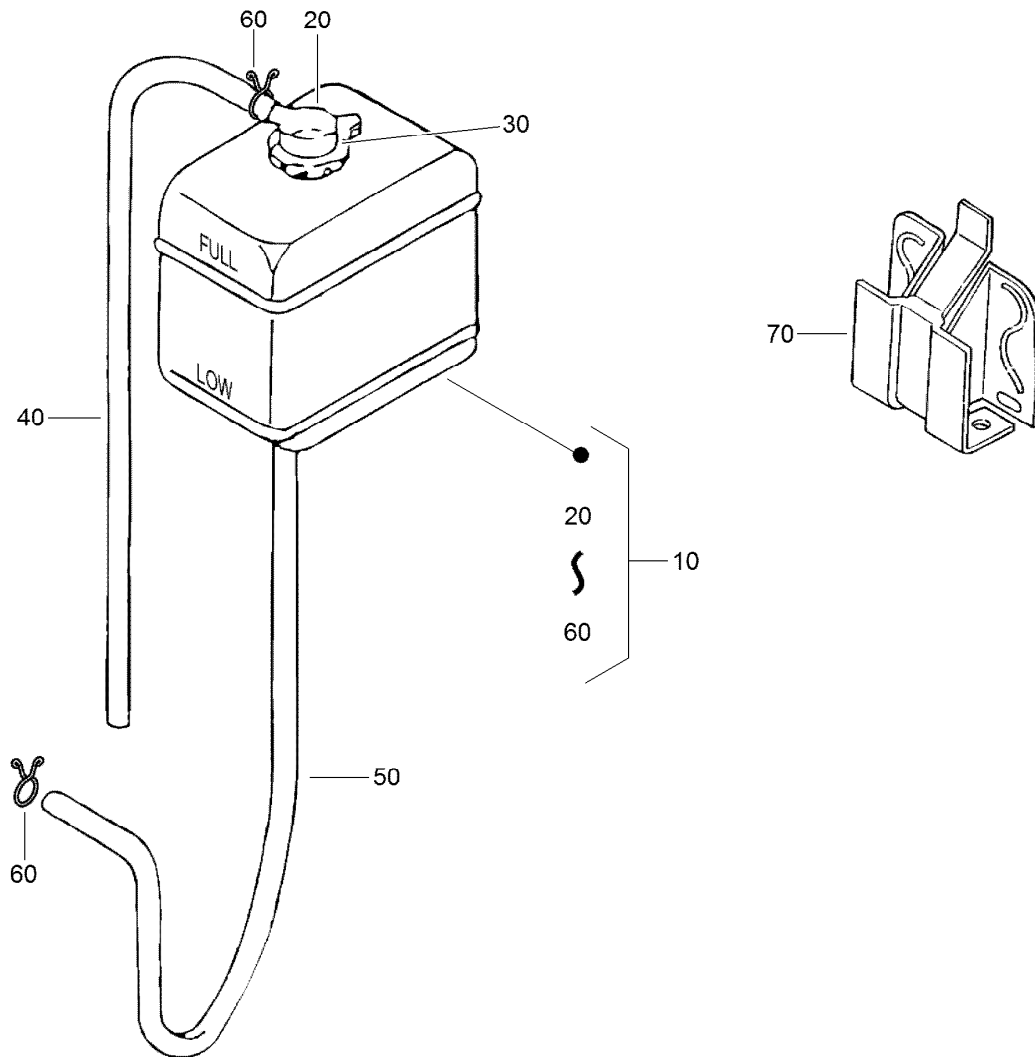
Water Flange and Thermostat Assembly

Ref.	Part Number	Qty.	Description
10	98-9713	1	Water Flange ASM
20	98-9580	1	Pipe-Return, Water
30	105-3747	1	Plug
40	99-3583	2	Gasket
50	98-9638	1	Gasket-Flange, Water
60	98-7692	3	Bolt
70	98-9356	1	Bolt
80	98-9578	1	Pipe-Return, Water
90	125-9078	2	Clamp-Hose
100	100-1983	1	Thermo-Switch
110	130-1377	1	Adapter-Thermoswitch
120	98-7778	1	Thermostat ASM
130	98-9471	1	Cover-Thermostat
140	105-3748	1	Gasket-Thermostat
150	98-7777	2	Bolt



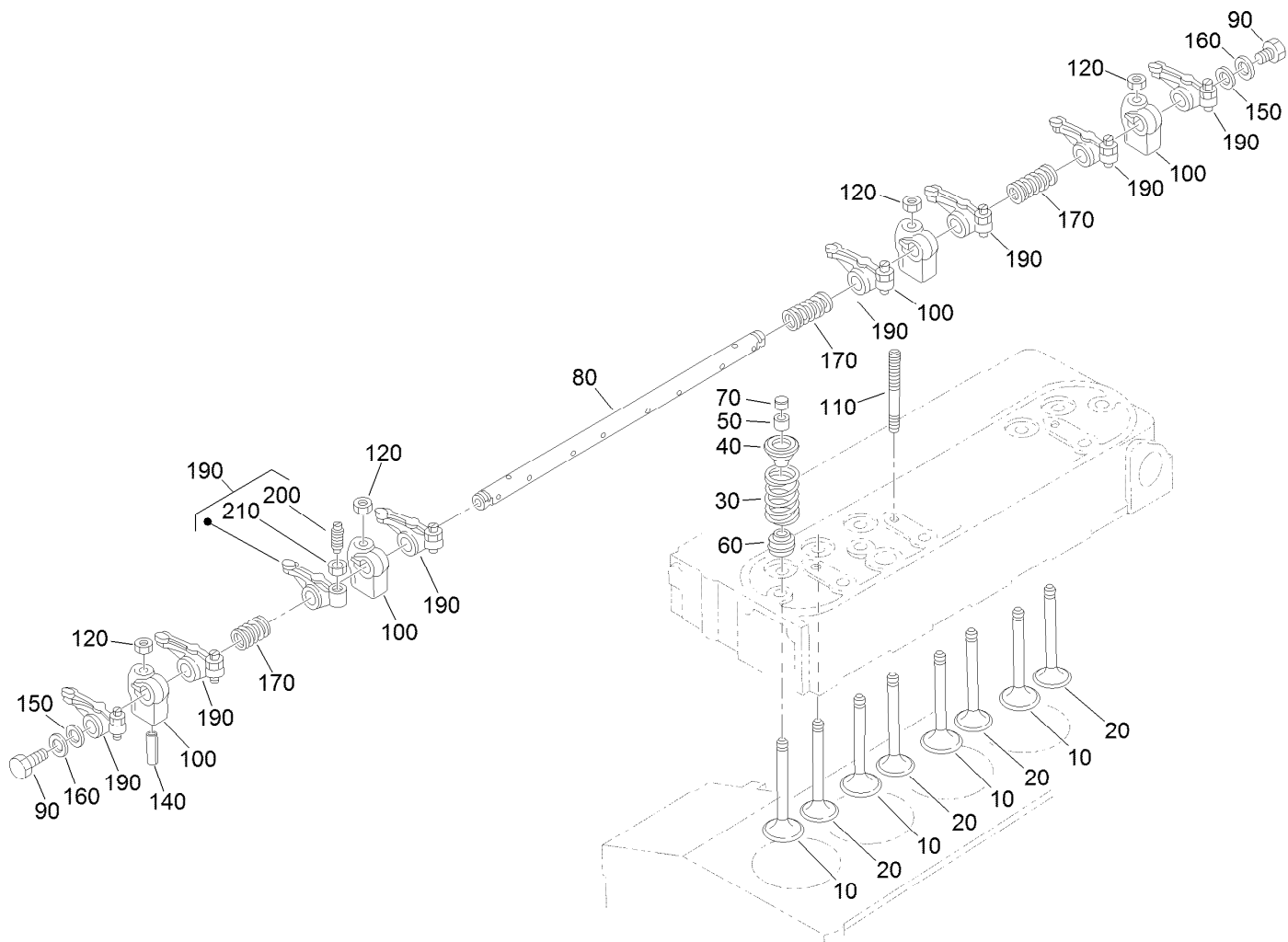
Water Pump and Water Pipe Assembly

<i>Ref.</i>	<i>Part Number</i>	<i>Qty.</i>	<i>Description</i>
10	107-9089	1	Water Pump ASM
30	105-3750	1	Mechanical Seal ASM
40	112-7017	1	Impeller-Pump, Water
50	100-1932	1	Pipe-Return, Water
60	99-3454	1	Gasket-Pump, Water
70	98-9353	4	Bolt
80	107-9090	2	Bolt
90	99-3516	1	Flange-Pump, Water
100	131-3849	1	Pipe-Water
110	107-9091	1	Pipe-Water
120	127-0439	2	Clamp-Hose



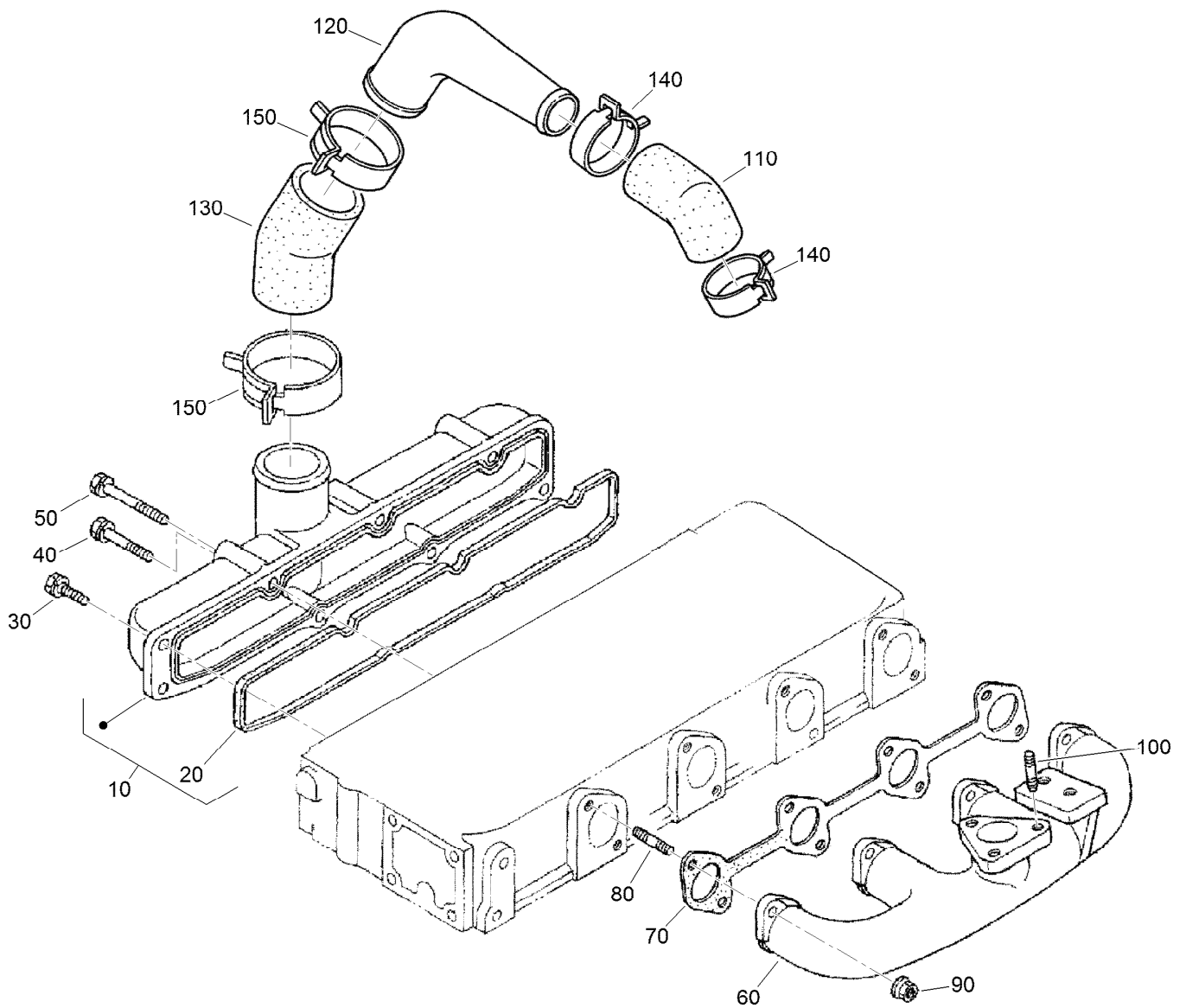
Reserve Tank Assembly

Ref.	Part Number	Qty.	Description
10	108-0638	1	Bottle-Overflow
20	130-1192	1	Cap
30	105-3755	1	Gasket
40	130-1201	1	Pipe-Overflow
50	130-1568	1	Pipe-Overflow, Water
60	130-1200	2	Clip-Pipe
70	130-1202	1	Stay-Tank, Reserve



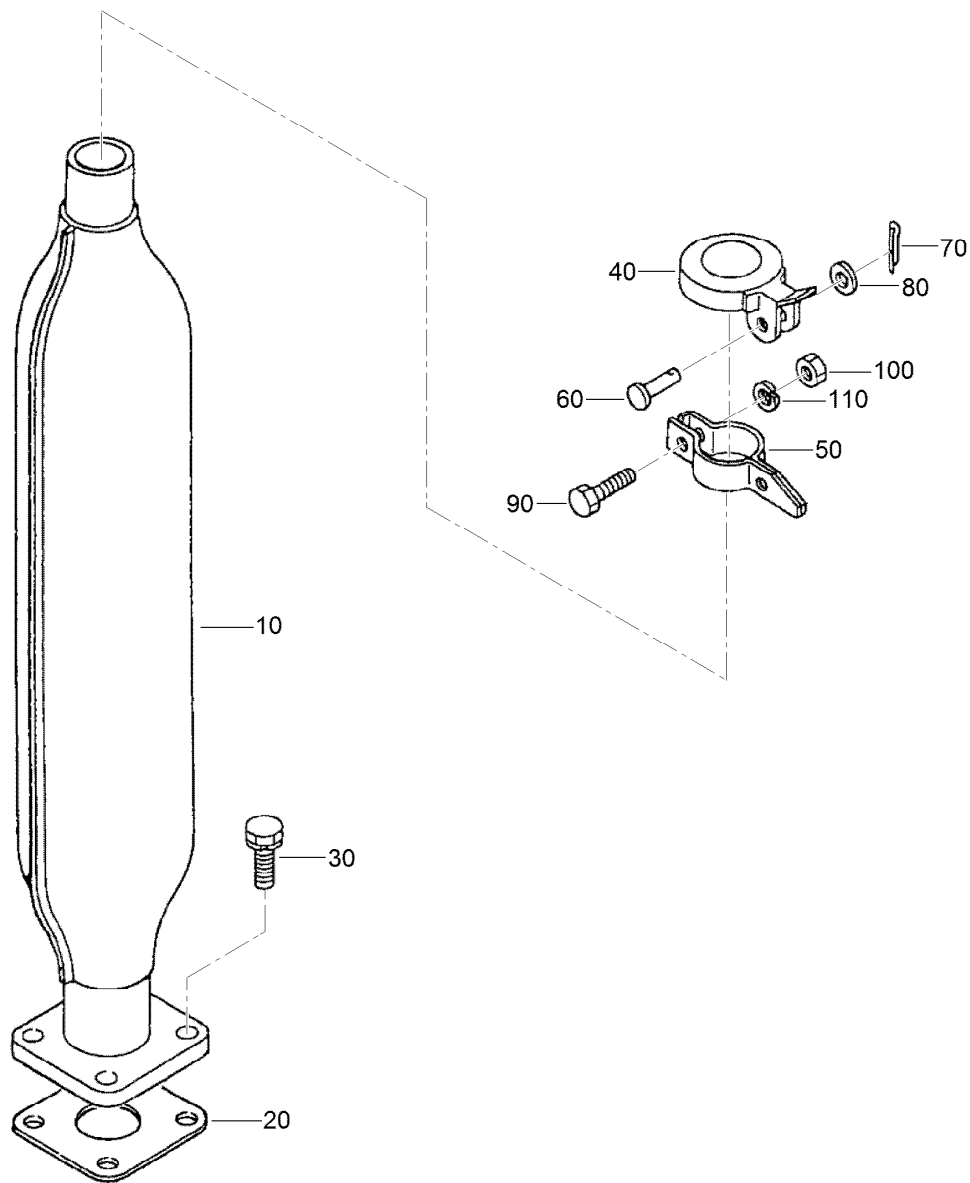
Valve and Rocker Arm Assembly

<i>Ref.</i>	<i>Part Number</i>	<i>Qty.</i>	<i>Description</i>	<i>Ref.</i>	<i>Part Number</i>	<i>Qty.</i>	<i>Description</i>
10	112-7018	4	Valve-Inlet	110	98-9506	4	Stud
20	112-7019	4	Valve-Exhaust	120	131-6563	4	Nut-Flange
30	98-9626	8	Spring-Valve	140	105-3758	1	Pin-Spring
40	107-9092	8	Retainer-Spring	150	98-9507	2	Washer-Shaft, Rocker Arm
50	117-7572	8	Collet-Spring, Valve	160	110-3832	2	Washer-Plain
60	99-8385	8	Seal-Stem, Valve	170	98-9504	3	Spring-Arm, Rocker
70	98-9497	8	Cap-Valve	190	112-7020	8	Rocker Arm ASM
80	127-0420	1	Shaft-Arm, Rocker	200	98-9502	8	Screw-Adjusting
90	99-8363	2	Bolt-Flange	210	98-9503	8	Nut
100	98-9505	4	Bracket-Arm, Rocker				



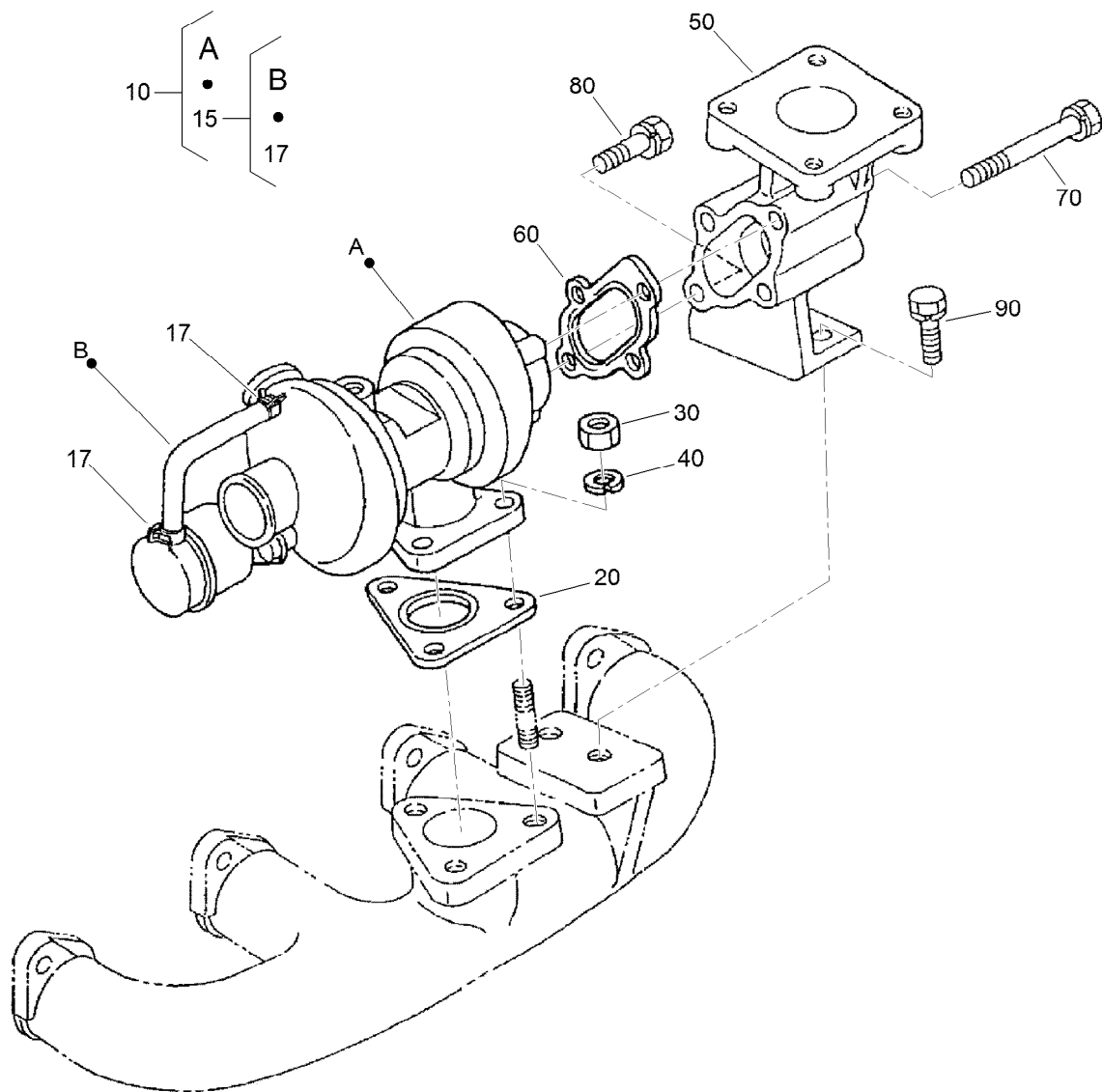
Inlet and Exhaust Manifold Assembly

<i>Ref.</i>	<i>Part Number</i>	<i>Qty.</i>	<i>Description</i>
10	105-3759	1	Inlet Manifold ASM
20	105-3760	1	Gasket-Manifold, Intake
30	127-0403	3	Bolt-Flange
40	98-9353	2	Bolt
50	125-9063	3	Bolt-Sems
60	105-3764	1	Manifold-Exhaust
70	105-3765	1	Gasket-Manifold, Exhaust
80	98-9588	8	Stud
90	98-9665	8	Nut
100	130-1157	3	Bolt-Stud
110	105-3761	1	Pipe-Inlet
120	105-3762	1	Pipe-Inlet
130	105-3763	1	Pipe-Inlet
140	99-8324	2	Band-Pipe
150	99-8322	2	Band-Pipe



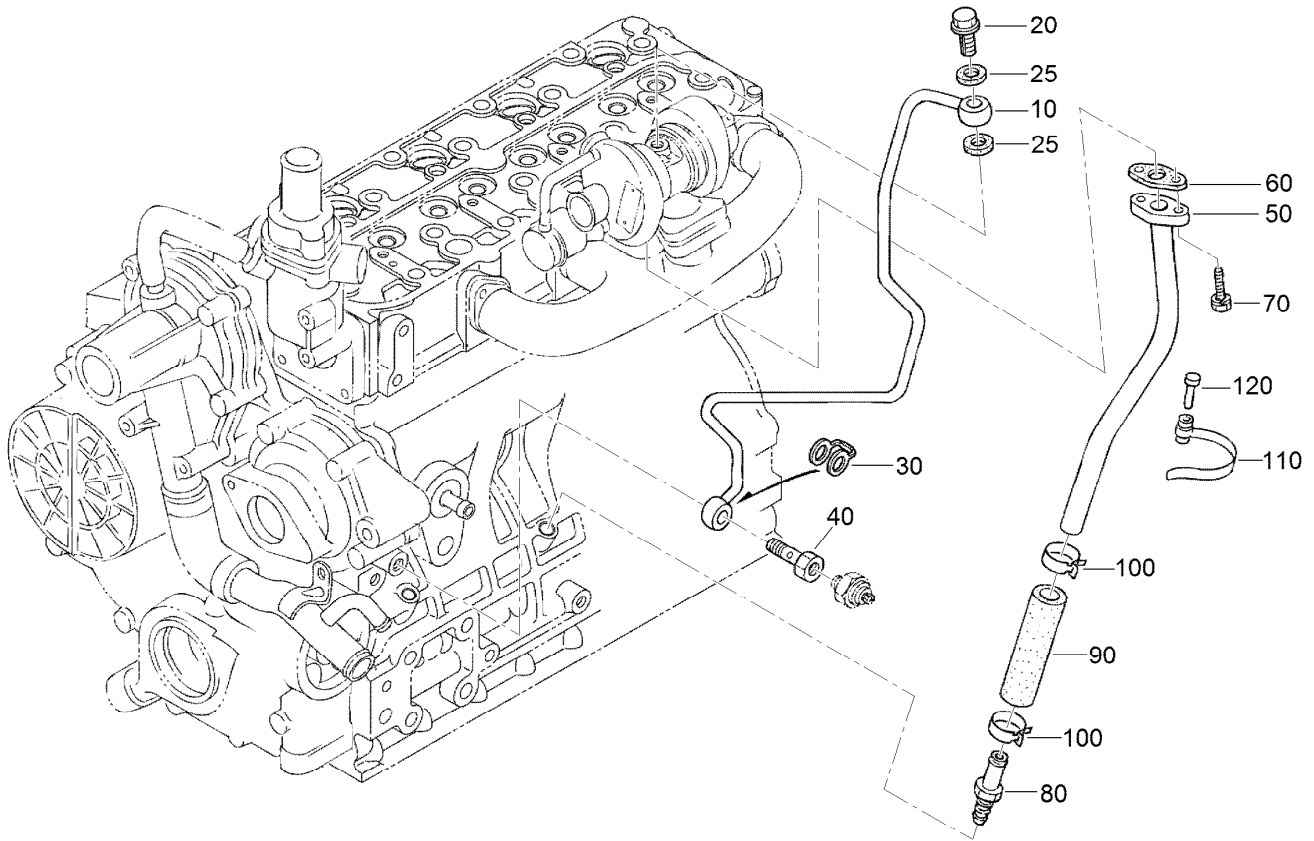
Muffler Assembly

Ref.	Part Number	Qty.	Description
10	131-3842	1	Muffler
20	99-8343	1	Gasket-Muffler
30	98-7610	4	Bolt
40	131-3843	1	Cap-Muffler
50	131-3844	1	Band-Cap, Muffler
60	131-3845	1	Pin
70	131-3846	1	Pin-Split
80	98-7648	1	Washer-Plain
90	131-3847	1	Bolt-Hex
100	98-7572	1	Nut
110	98-7699	1	Washer-Spring



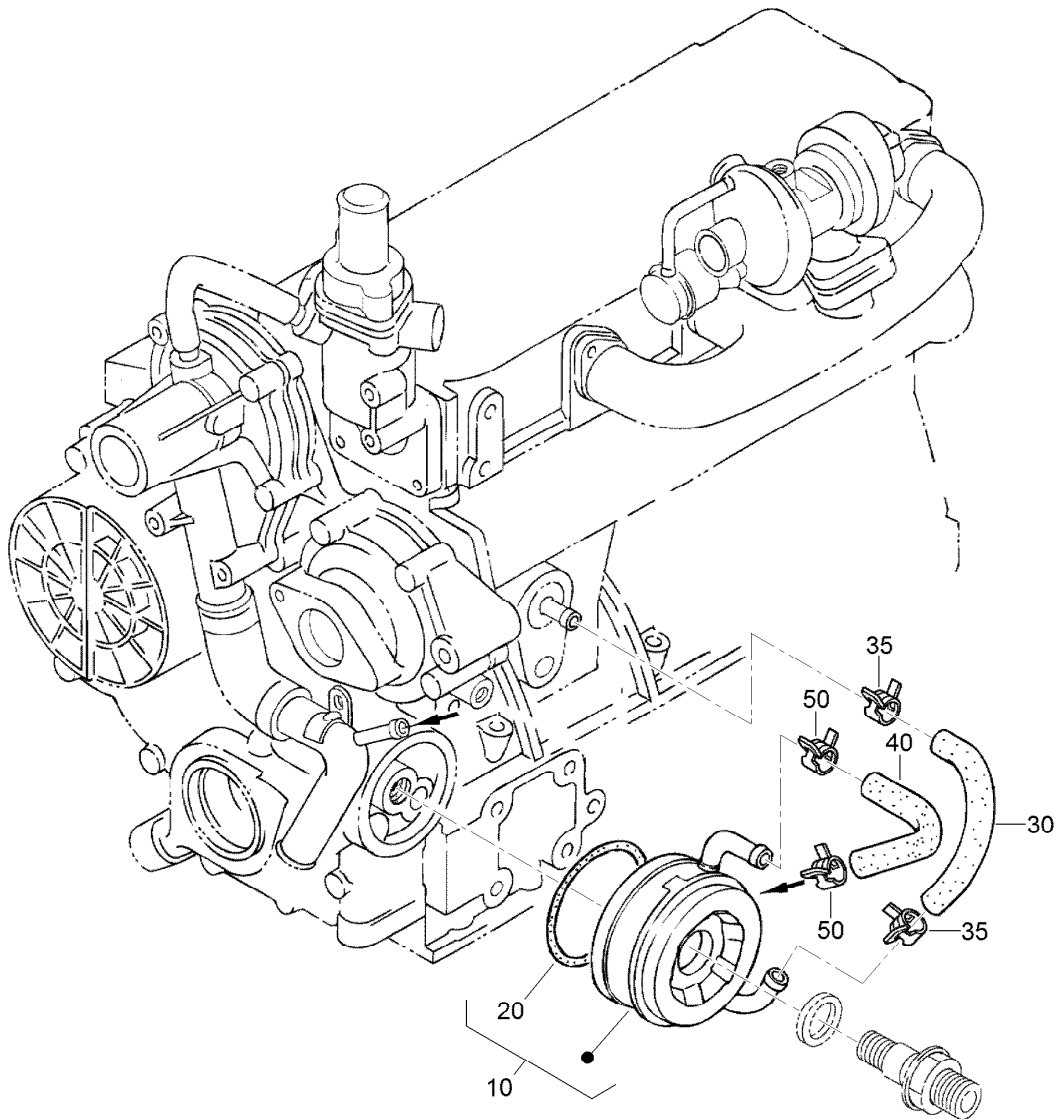
Turbo Charger Assembly

<i>Ref.</i>	<i>Part Number</i>	<i>Qty.</i>	<i>Description</i>
10	131-3848	1	Turbo Charger ASM
15	108-1413	1	Hose ASM
17	108-1414	2	Clamp-Hose
20	105-3767	1	Gasket
30	98-7534	3	Nut
40	3253-4	3	Washer-Lock
50	99-8335	1	Flange-Muffler
60	105-3768	1	Gasket
70	115-4100	3	Bolt
80	105-2895	1	Bolt
90	98-7610	2	Bolt



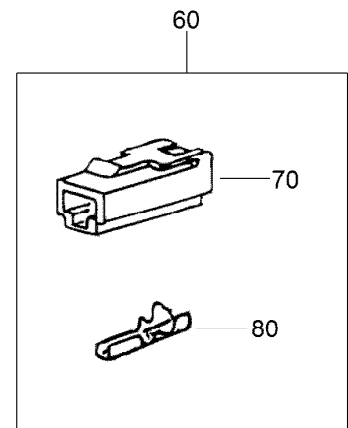
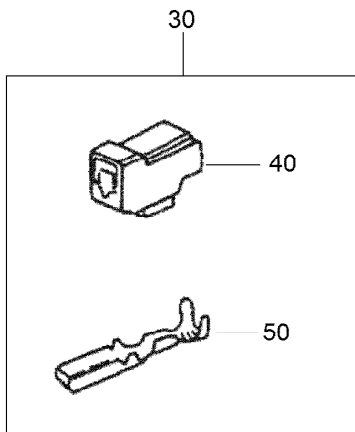
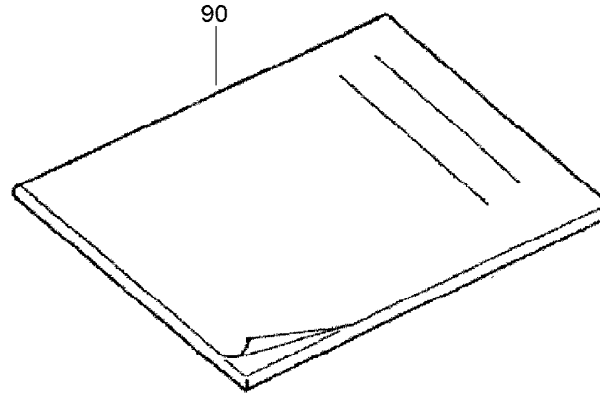
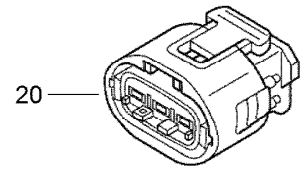
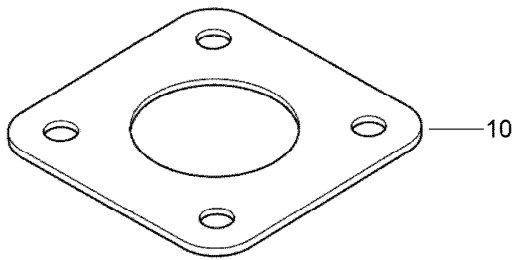
Oil Pipe (Turbo Charger) Assembly

Ref.	Part Number	Qty.	Description
10	108-4424	1	Oil Pipe ASM
20	115-4126	1	Bolt-Joint, Eye
25	130-1423	1	Gasket
30	99-8346	2	Gasket
40	98-9417	1	Bolt-Joint, Eye
50	117-7589	1	Oil Pipe ASM
60	108-4422	1	Gasket
70	98-9351	2	Bolt
80	105-3771	1	Oil Pipe ASM
90	98-9721	1	Pipe-Oil
100	98-9714	2	Clamp-Hose
110	98-9601	1	Clamp-Pipe
120	98-9591	1	Pin-Band



Oil Cooler Assembly

Ref.	Part Number	Qty.	Description
10	104-5158	1	Oil Cooler ASM
20	112-7030	1	O-Ring
30	98-9724	1	Pipe-Cooler, Oil
35	98-9579	2	Band-Pipe
40	98-9578	1	Pipe-Return, Water
50	131-9581	2	*obs* Clamp-Hose



Miscellaneous Engine Parts

<i>Ref.</i>	<i>Part Number</i>	<i>Qty.</i>	<i>Description</i>
10	99-8343	2	Gasket-Muffler
20	130-1291	1	Connector ASM
30	115-8600	1	Coupler ASM
40	115-8601	1	Connector
50	115-8602	2	Terminal
60	130-1328	1	Terminal
70	130-1175	1	Connector
80	130-1176	1	Terminal
90	115-4104	1	Operator Manual

Notes:



Count on it.