



LED Light Kit for TimeCutter® Riding Mowers

Model No. 140-2056

Installation Instructions

Preparing the Machine

1. Park the machine on a level surface.
2. Disengage the blade-control switch.
3. Move the motion-control levers outward to the PARK position.
4. Shut off the engine and remove the key.
5. Wait for all moving parts to stop before leaving the operating position.
6. Remove and retain the footrest (Figure 1 and Figure 2).

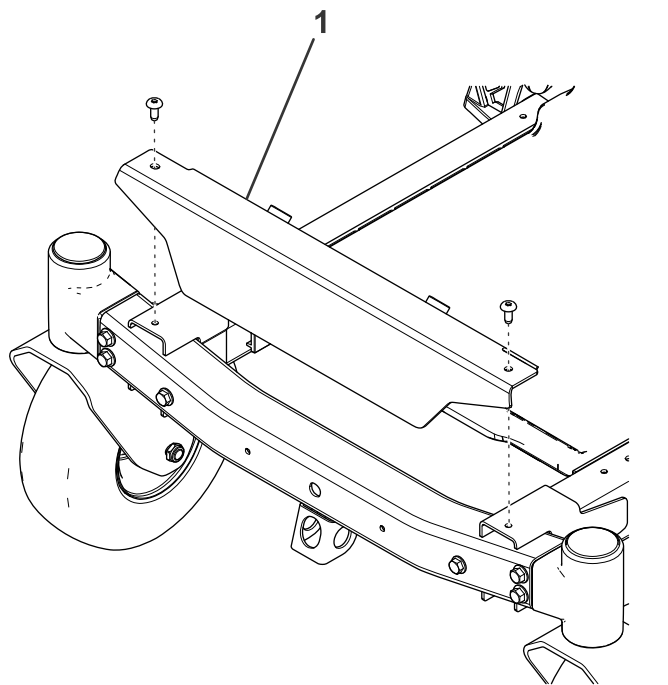


Figure 1
For MyRide units

1. Footrest

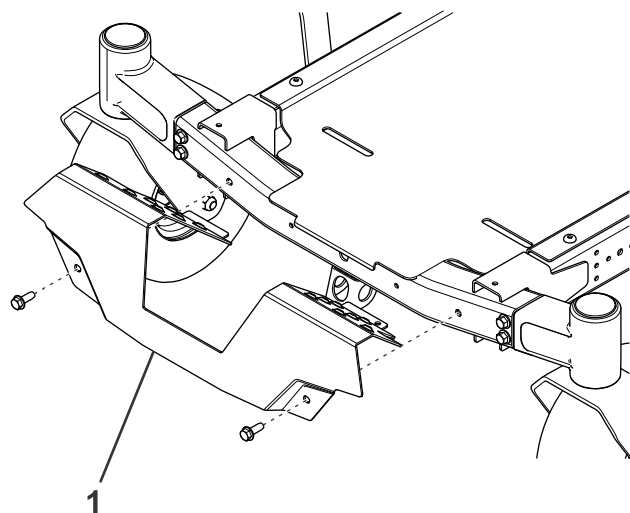


Figure 2
For non-MyRide units

1. Footrest

Installing the Lights

1. Secure the mounting plate to the front of the frame using 2 flange-head bolts (5/16 inch) as shown in Figure 3.

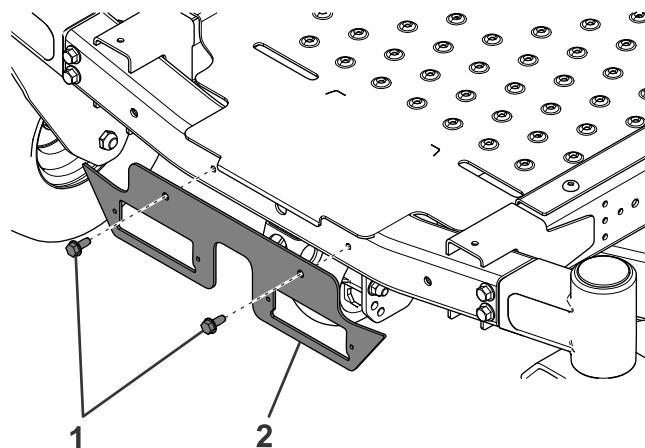


Figure 3

1. Flange-head bolt (5/16 inch)
2. Mounting plate



- Secure the LED lights through the back of the mounting plate using 4 bolts (M4) as shown in [Figure 4](#).

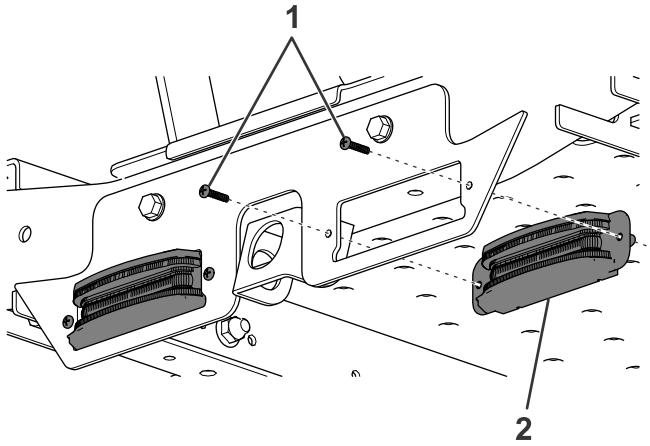


Figure 4

- Bolt (M4)
- LED light

- If you have a non-MyRide machine, continue to step 5. If you have a machine with MyRide, remove the 2 bolts securing the guard rail in place ([Figure 6](#) and [Figure 6](#)).

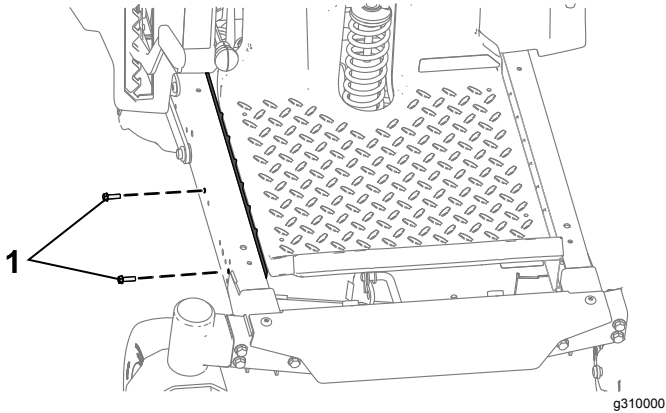


Figure 5

- Remove and retain

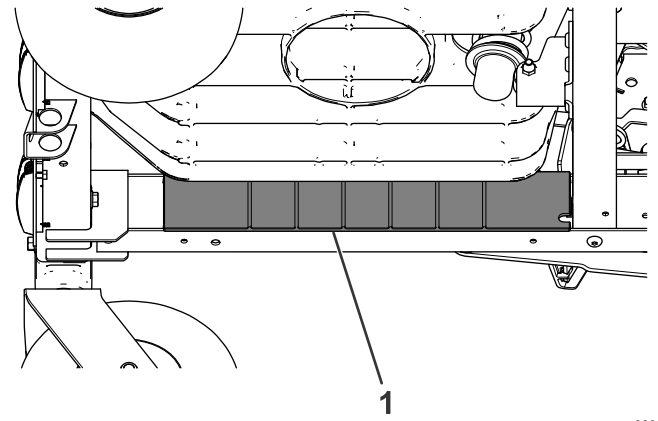


Figure 6

- Guard rail

- Connect the wire harness to the back of the lights and secure the harness to the front frame rail using the harness clips ([Figure 7](#)).

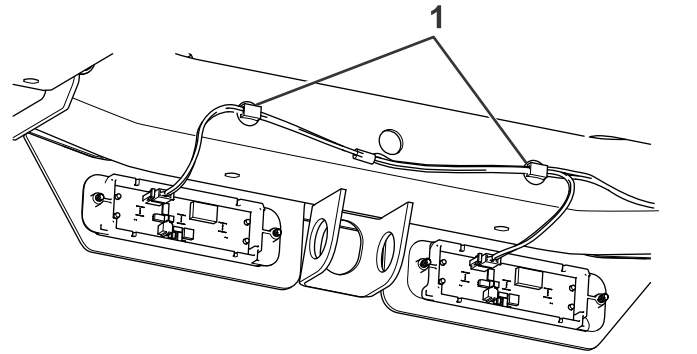


Figure 7

- Harness clips

- Route the wire harness along the right frame rail ([Figure 8](#)).

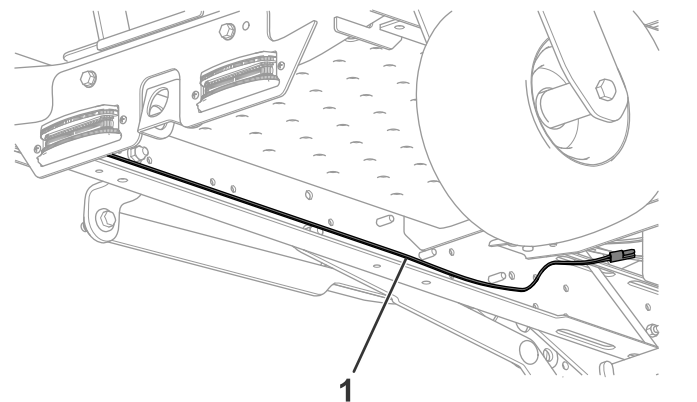
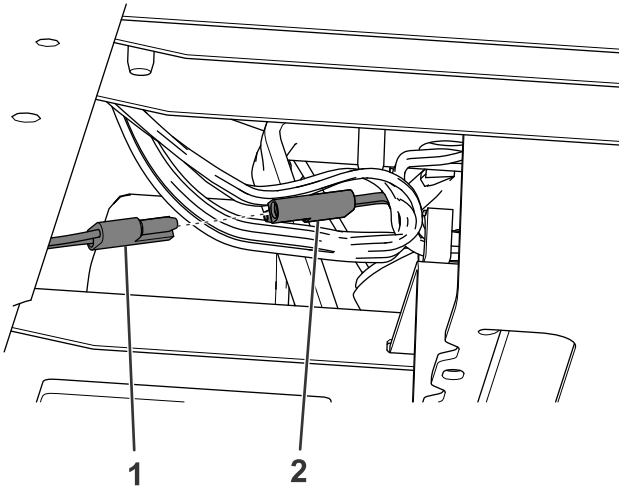


Figure 8

- Wire harness

6. Connect the wire harness to the main wire harness connector located behind the battery (Figure 9).

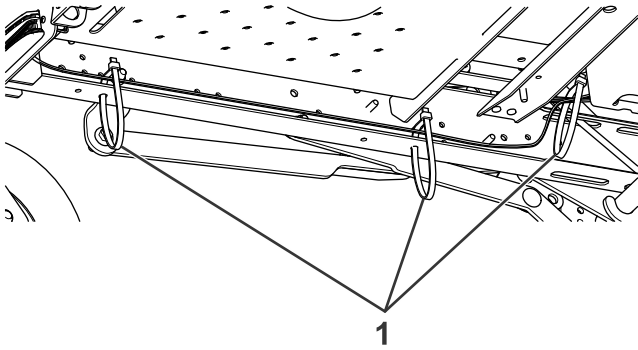


g309111

Figure 9

1. Kit wire harness
2. Machine wire harness

-
7. If you have a non-MyRide machine, secure the wire harness to the frame rail using 2 cable ties, and the kit wire harness to the machine wire harness using the remaining cable tie (Figure 10). If you have a machine with MyRide, install the previously removed guard rail using the previously removed bolts (Figure 6 and Figure 4).



g309187

Figure 10

1. Cable ties

-
8. Install the previously removed footrest.



Count on it.