



Rubber Deflector Kit

Proline Commercial Walk-Behind Mower

Model No. 140-4300

Installation Instructions

Installation

Loose Parts

Use the chart below to verify that all parts have been shipped.

Procedure	Description	Qty.	Use
1	No parts required	–	Prepare the machine for installation.
2	Rubber deflector	1	Install the rubber deflector.

1

Preparing the Machine

No Parts Required

Procedure

1. Park the machine on a level surface.
2. Engage the parking brake.
3. Shut off the engine and remove the key.

2

Installing the Rubber Deflector

Parts needed for this procedure:

1	Rubber deflector
---	------------------

Removing the Deflector

1. Remove the cotter pin ([Figure 1](#)).
Retain the pin for use in [2 Installing the Rubber Deflector \(page 1\)](#).
2. Disengage the spring from the notch in the deflector bracket and slide the rod out of the welded deck brackets, spring, and discharge deflector ([Figure 1](#)).



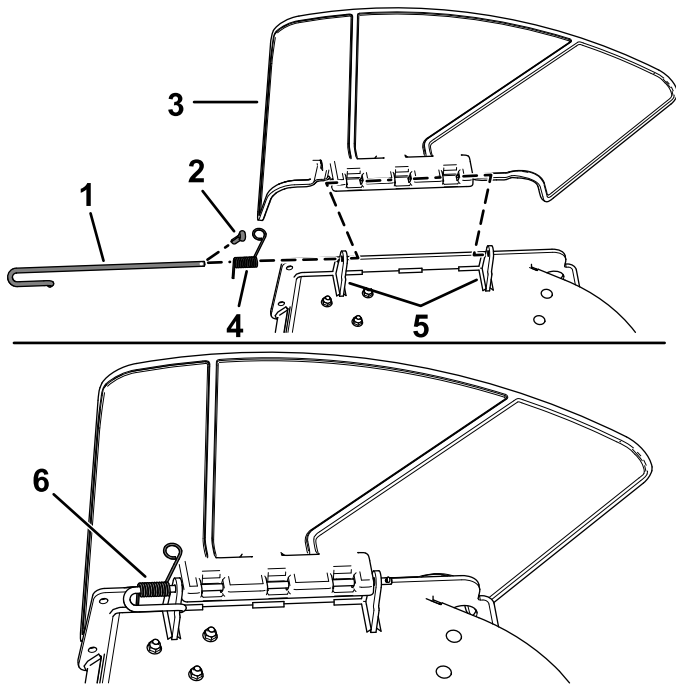


Figure 1

g190642

- | | |
|---------------|----------------------------------|
| 1. Rod | 4. Spring |
| 2. Cotter pin | 5. Deck brackets |
| 3. Deflector | 6. Spring installed over the rod |

3. Remove the discharge deflector.

⚠ WARNING

An uncovered discharge opening could allow the machine to throw objects at you or bystanders and result in serious injury. Also, contact with the blade could occur.

Never operate the machine unless you install a mulch plate, discharge deflector, or grass collection system.

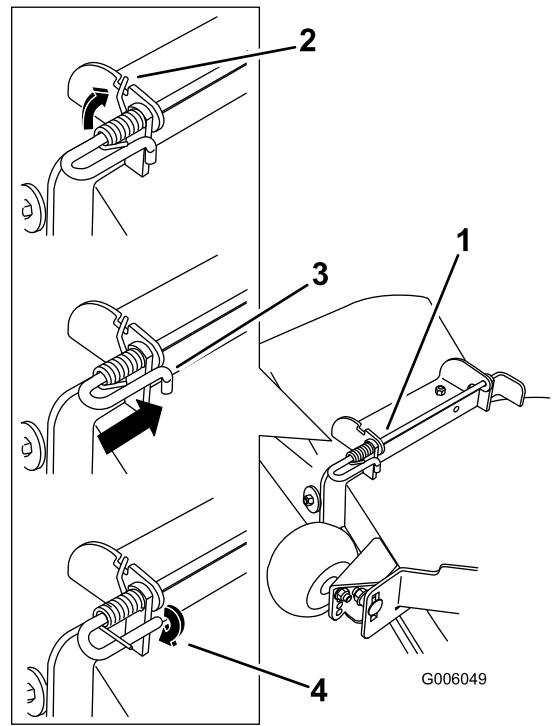


Figure 2

g006049

- | | |
|---|---|
| 1. Rod and spring assembly installed | 3. Rod (short end) moved behind mower bracket |
| 2. Loop end of the spring installed into the notch in the deflector bracket | 4. Short end, retained by mower bracket. |

5. Secure the rod and spring assembly by twisting it so the short end of the rod is placed behind the front bracket welded to the deck (Figure 2).

Important: The grass deflector must be spring loaded in the down position. Lift the deflector up to test that it snaps to the full down position.

6. Install the cotter pin that you removed in [Removing the Deflector](#) (page 1).

Installing the Rubber Deflector

1. Position the rubber deflector with the bracket ends between the welded brackets on the deck as shown in [Figure 2](#).
2. Install the spring onto the straight end of the rod.
3. Position the spring on the rod as shown so that the shorter spring end is coming from under the rod before the bend and going over the rod as it returns from the bend.
4. Lift the loop end of the spring and place it into the notch on the deflector bracket ([Figure 2](#)).