



Count on it.

Parts Catalog

Multi Pro® 1750

Turf Sprayer

Model No. 41188—Serial No. 316000001 and Up



Ordering Replacement Parts

To order replacement parts, please supply the part number, the quantity, and the description of each part desired.

Understanding Reference Numbers

Each identified part in an illustration has a reference number. The reference number for a part also appears in the parts list, along with other information about the part.

This catalog uses two special reference number formats, one to indicate parts in a service assembly and another to indicate the quantity of a given part in an illustration.

Service Assembly Reference Numbers

Parts in service assemblies have reference numbers in the form a:b. The a represents the reference number of the entire service assembly and the b represents a sequential number unique to each part within the service assembly.

For example, a wheel assembly might be identified by reference number 6, the tire by 6:1, the valve by 6:2, and the wheel by 6:3. When you order the assembly identified by reference number 6, you receive all parts identified by reference numbers 6:1, 6:2, and 6:3. However, you may also order any part individually. Reference numbers of this type appear in illustration and in parts lists.

Reference Numbers Indicating Quantity

In an illustration, if a reference number indicates more than one part, the reference number has the form nX y. The n represents the quantity of the part, the X is the multiplication symbol, and the y represents the reference number.

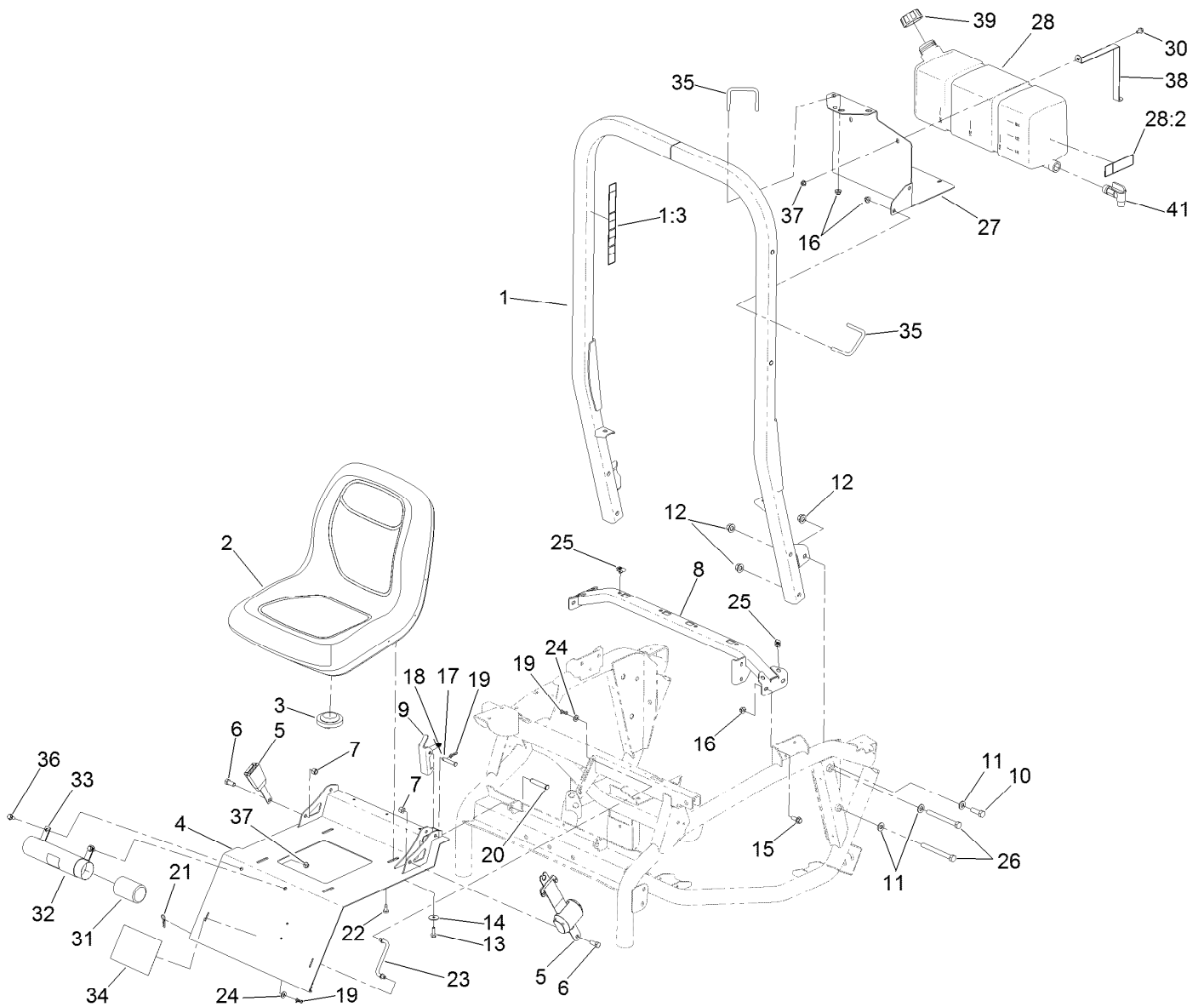
For example, in an illustration, the reference number 2X 37 means that two of the parts identified by reference number 37 are indicated.

Contents

Seat and Roll-Over Protection System Assembly	5
Frame Assembly	6
Rear Drive Assembly	7
Case Assembly Transaxle Assembly No. 120-7610	9
Center Plate Assembly Transaxle Assembly No. 120-7610	10
Main Shaft Assembly Transaxle Assembly No. 120-7610	11
Reduction Shaft Assembly Transaxle Assembly No. 120-7610	12
Reverse Shaft Assembly Transaxle Assembly No. 120-7610	13
Main Shift Assembly Transaxle Assembly No. 120-7610	14
Counter Shaft Assembly Transaxle Assembly No. 120-7610	15
Differential Gear Assembly Transaxle Assembly No. 120-7610	16
Differential Carrier Assembly Transaxle Assembly No. 120-7610	17
Differential Lock Assembly Transaxle Assembly No. 120-7610	18
Axle Shaft Assembly Transaxle Assembly No. 120-7610	19
Driveshaft Assembly No. 114-8367	20
Brake Caliper Assembly No. 127-7424	21
Brake Hydraulic Assembly	22
Master Cylinder Assembly No. 104-6782	23
Front Suspension Assembly	24
Coil Over Shock Assembly No. 120-7616	27
Hydraulic Cylinder Assembly No. 125-0720	28
Pedal Assembly	29
Parking Brake Lever and Cable Assembly	30
Control Console Mount Assembly	31
Gear Shift and Drift Lock Control Assembly	32
Shift Assembly No. 106-7887	33
Control Console Assembly	34
Hood, Dash and Headlight Assembly	35
Seat Base and Front Fender Assembly	36
Hydraulic Steering Assembly	37
Hydraulic Pump Assembly No. 121-6545	39
Steer Valve Assembly No. 117-0707	40
Boom Lift Hydraulic Assembly	41
Hydraulic Cylinder Assembly No. 117-0701	42
On-Off Boom Lift Valve No. 117-0702	43
Engine Mounting Assembly	44
Pump Assembly No. 120-8630	46
Exhaust Assembly	47
Fuel Tank, filter and line Assembly	48
Fuel Tank Assembly No. 115-9048	49
Driveshaft Connection Assembly	50
Driveshaft Assembly No. 119-6040	51
Clutch and Bell Housing Assembly	52
Spray Tank Assembly	53
Tank Assembly No. 121-6491	54
Spray Tank Lid Assembly No. 119-9380	55
Filter Assembly No. 130-7096	56
Spray Tank Valve Assembly	57
Flow Meter Assembly No. 106-1038	58
Section Valve Manifold Assembly	59
On/Off Manifold Valve Kit No. 127-9803	60
Agitation Manifold Assembly	61
Regulating Valve Body Assembly No. 127-9804	62
Manifold Valve Kit No. 131-7256	63

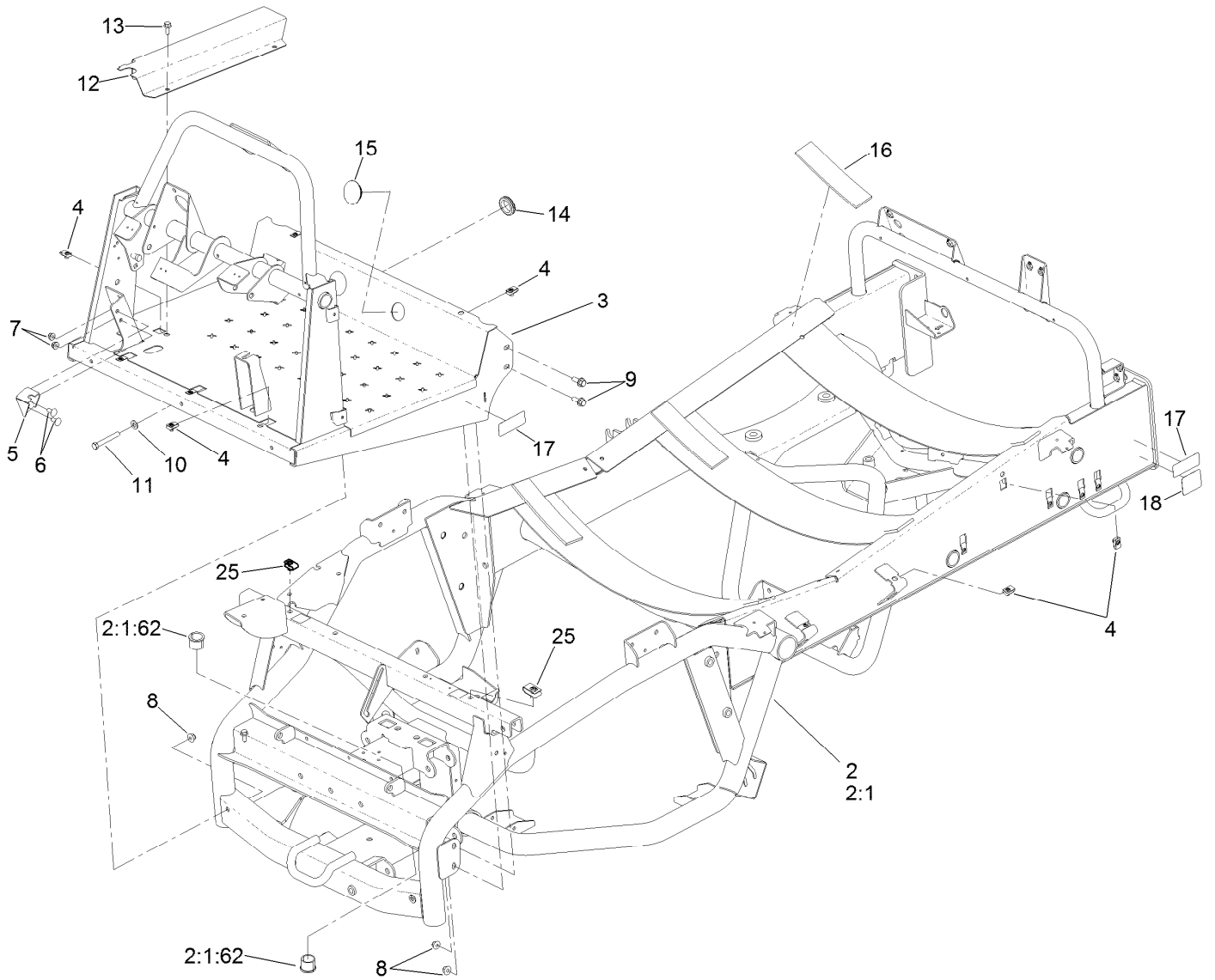
Contents (continued)

Actuator On/Off Kit No. 131-3723	64
On/Off 2-Way Valve Kit No. 131-0249	65
Manifold Valve Kit No. 131-0253	66
Hose Assembly	67
Main Wiring Harness and Battery Assembly	69
Center Boom Mount Assembly	70
LH Single Turret Body Assembly No. 108-3725	72
Double Turret Body Assembly No. 108-3727	73
RH Single Body Turret Assembly No. 108-3726	74
Boom Pivot Assembly	75
Left and Right Hand Boom Assembly	76
Attachments and Accessories	77



Seat and Roll-Over Protection System Assembly

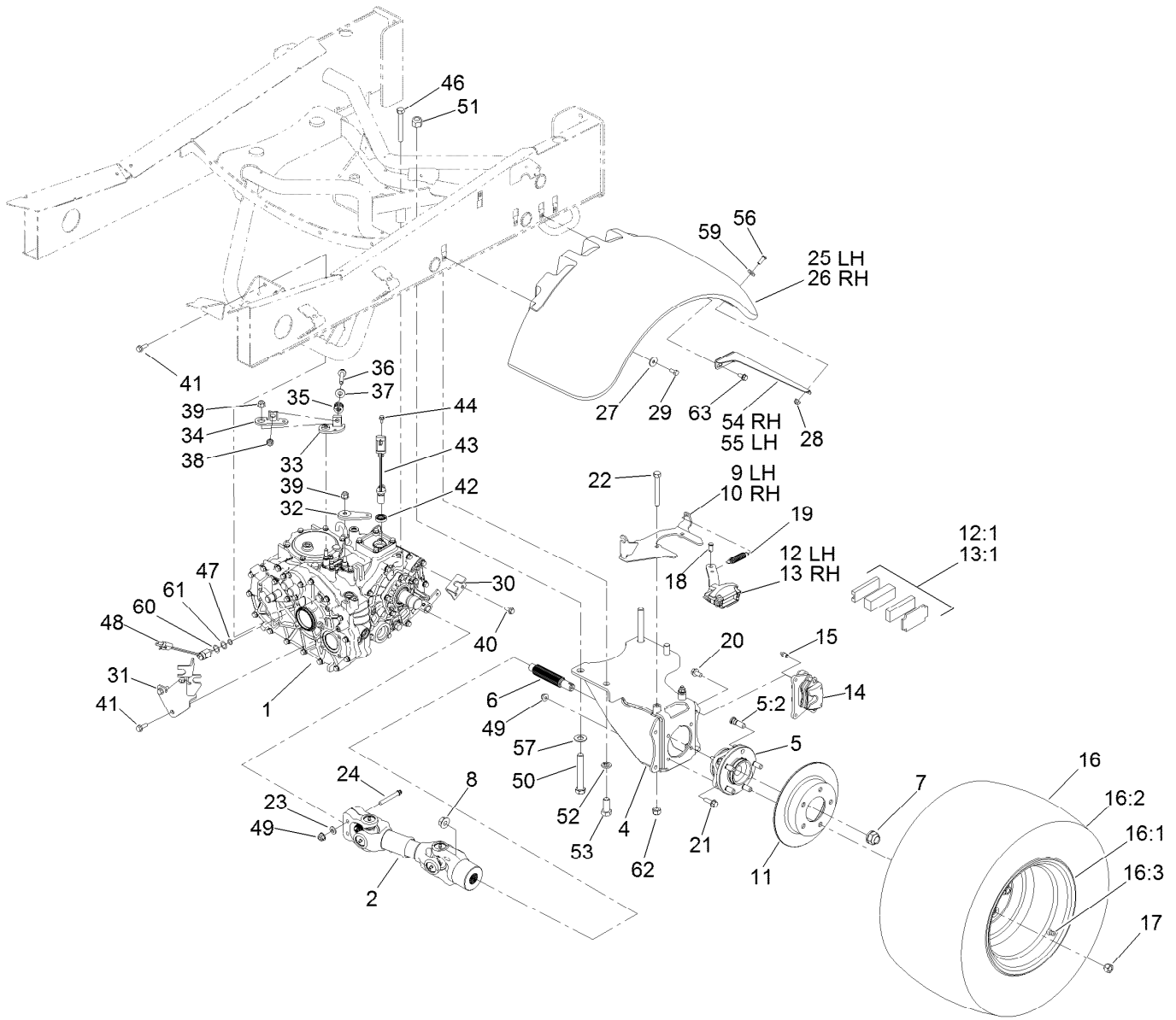
Ref.	Part Number	Qty.	Description	Ref.	Part Number	Qty.	Description
1	127-3918	1	ROPS ASM	21	3290-467	2	Pin-Hair
1:3	127-3939	1	Decal-ROPS	22	87-8460	3	Bumper-Rubber
2	112-2923	1	Seat ASM	23	125-0909	1	Rod-Prop, Seat
3	100-3524	1	Switch-Seat	24	3256-24	2	Washer-Flat
4	125-0872-03	1	Plate-Seat	25	94-2413	3	Nut-U
5	110-0413	1	Seatbelt-Retractable	26	325-19	4	Screw-HH
6	3212-4	2	Screw-HH	27	131-5797-03	1	Mount-Tank, Eye Wash
7	3296-7	2	Nut-Lock	28	132-7745	1	Fresh Water Tank ASM
8	125-0910-03	1	Crossmember-Seat	28:2	120-0616	3	Decal-Water, Fresh
9	125-0916	1	Latch-Seat	30	3234-7	4	Screw-HHF
10	325-6	2	Screw-HH	31	104-7048	1	Cap-Housing
11	3256-26	6	Washer-Flat	32	104-7050	1	Tube-Manual
12	99-5107	6	Nut-Lock	33	2412-133	2	Clamp-R
13	33104-025	4	Screw-HHF	34	133-0382	1	Decal-Service/Maintenance
14	3256-57	4	Washer-Flat	35	119-6727	2	U-Bolt
15	3234-42	4	Screw-HHF	36	3234-47	2	Screw-HHF
16	104-8301	8	Nut-HF, NI	37	104-8300	6	Nut-HF, NI
17	283-82	1	Pin-Clevis	38	132-7628-03	2	Band-Tank, Eye Wash
18	104-4821	1	Spring-Torsion	39	106-5052	1	Cap-Water, Fresh
19	119-1415	3	Pin-Cotter, Locking	41	100-7011	1	Spigot-90 DEG
20	100-6541	2	Pin-Clevis				



Frame Assembly

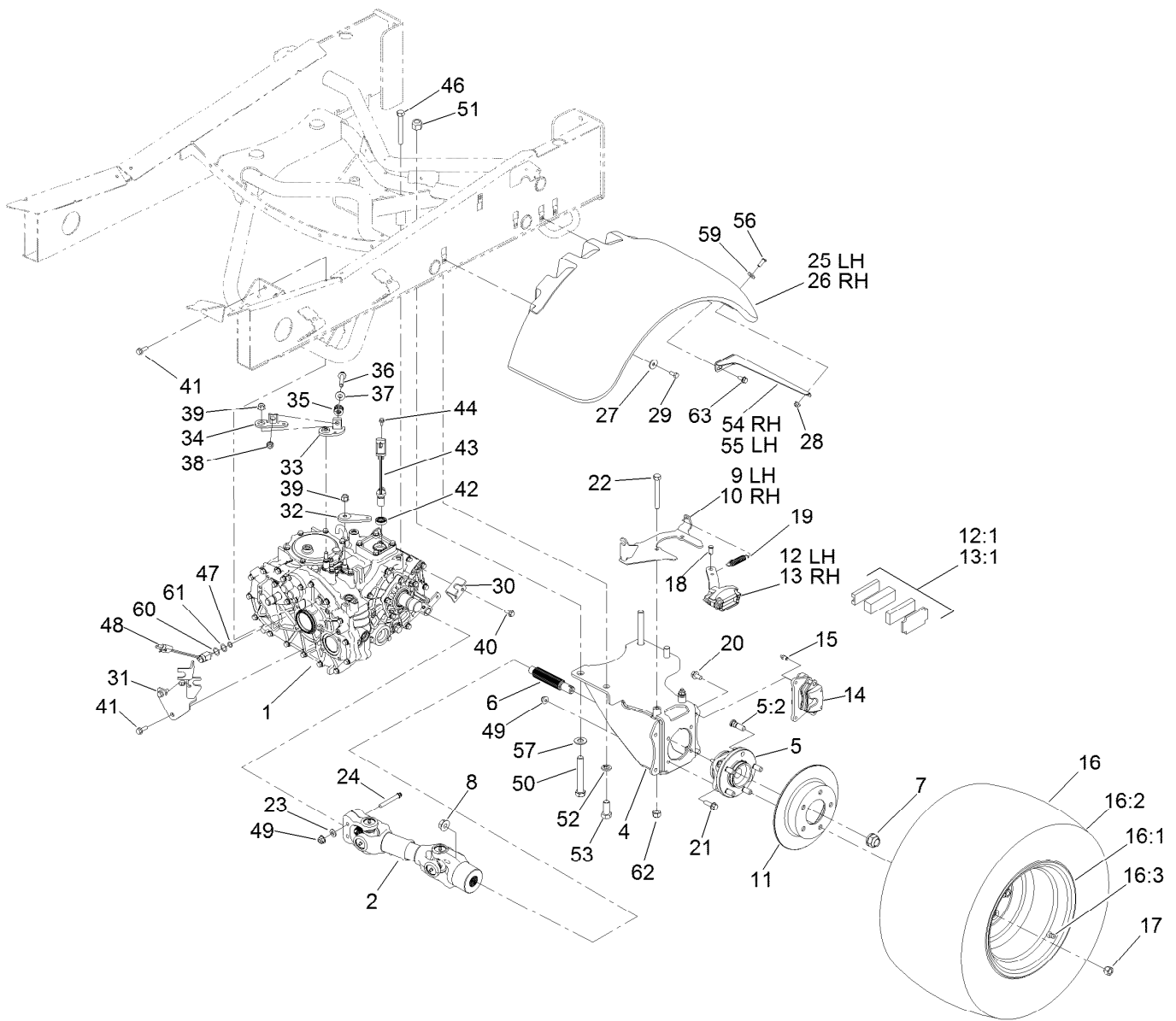
Ref.	Part Number	Qty.	Description	Ref.	Part Number	Qty.	Description
2	121-6501-03	1	Frame ASM	10	3256-24	2	Washer-Flat
2:1		1	Frame ●	11	323-13	2	Screw-HH
2:1:62	104-0015	2	Bushing-Flange	12	125-0871-03	1	Cover-Hose
3	125-0812-03	1	Platform	13	3234-47	2	Screw-HHF
4	94-2413	19	Nut-U	14	240-3	2	Grommet-Rubber
5	106-2421	1	Bracket-Mount, Cable	15	121-3397	2	Plug-Grommet
6	3230-1	2	Bolt-CARR	16	125-8094	6	Pad-Tank
7	104-8300	2	Nut-HF, NI	17	106-9206	4	Decal-Torque, Wheel
8	104-8301	6	Nut-HF, NI	18	125-6694	3	Decal-Tie Down
9	3234-42	4	Screw-HHF	25	115-7721	2	Nut-Clip, U

● Not serviced separately



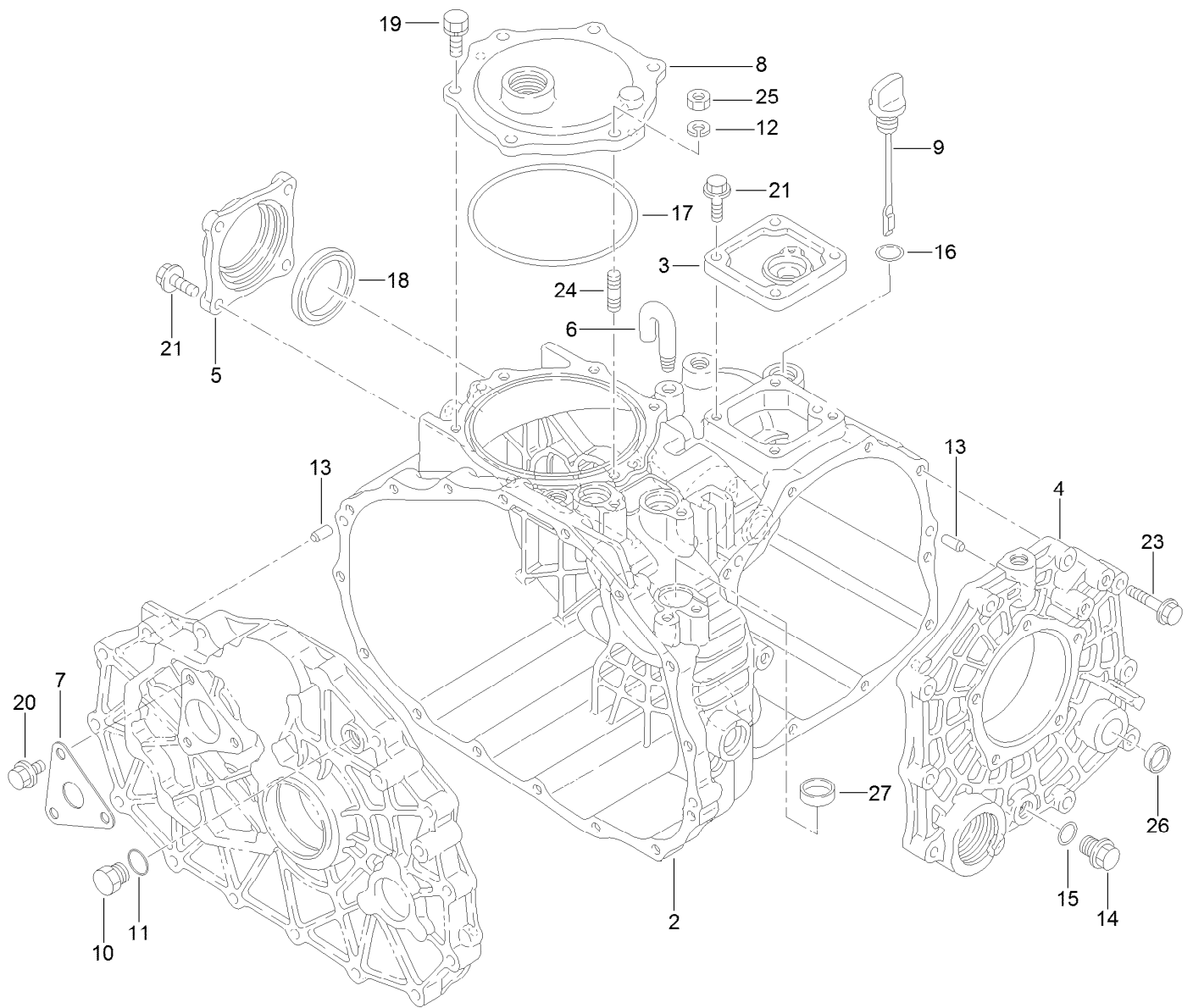
Rear Drive Assembly

Ref.	Part Number	Qty.	Description	Ref.	Part Number	Qty.	Description
1	120-7610	1	Transaxle ASM	17	242-50	10	Nut-Lug
2	114-8367	2	Driveshaft ASM	18	283-85	2	Pin-Clevis
4	125-0928-03	2	RH Hub ASM	19	104-6415	2	Spring-Return, Pedal
5	121-9751	2	Hub-Bearing, Wheel	20	3234-1	4	Screw-HHF
5:2	121-9752	5	Stud-Wheel	21	3234-24	8	Screw-HHF
6	115-7771	2	Shaft-Splined	22	323-9	4	Screw-HH
7	115-2164	2	Nut-Spindle	23	80-6990	4	Washer-Hardened
8	104-0753	2	Nut-Flange	24	98-2939	4	Screw-Cap
9	115-2362-03	1	Bracket-Caliper, LH	25	112-6805	1	Fender-RH
10	115-2359-03	1	Bracket-Caliper, RH	26	112-6806	1	Fender-LH
11	114-8351	2	Rotor-Brake	27	3256-82	6	Washer-Flat
12	114-8365	1	Caliper-Mechanical, LH	28	104-8300	2	Nut-HF, NI
12:1	115-7847	1	Parking Brake Pad Kit	29	322-5	6	Screw-HH
13	114-8366	1	Caliper-Mechanical, RH	30	87-4470	1	Bracket-Lock, Differential
13:1	115-7847	1	Parking Brake Pad Kit	31	107-8749-03	1	Bracket-Cable
14	127-7424	2	Brake Caliper ASM	32	87-7960	1	Lever-Shift
15	119-9509	2	Screw-Bleed	33	87-7970	1	Arm-Shift
16	117-4838	2	Tire And Wheel ASM	34	87-8250	1	Plate-Arm, Shift
16:1	114-8259	1	Wheel	35	87-6910	1	Spring-Compression
16:2	110-5132	1	Tire	36	66-9302	1	Screw-HHF, Whiz
16:3	232-27	1	Stem-Valve	37	3256-4	1	Washer-Flat



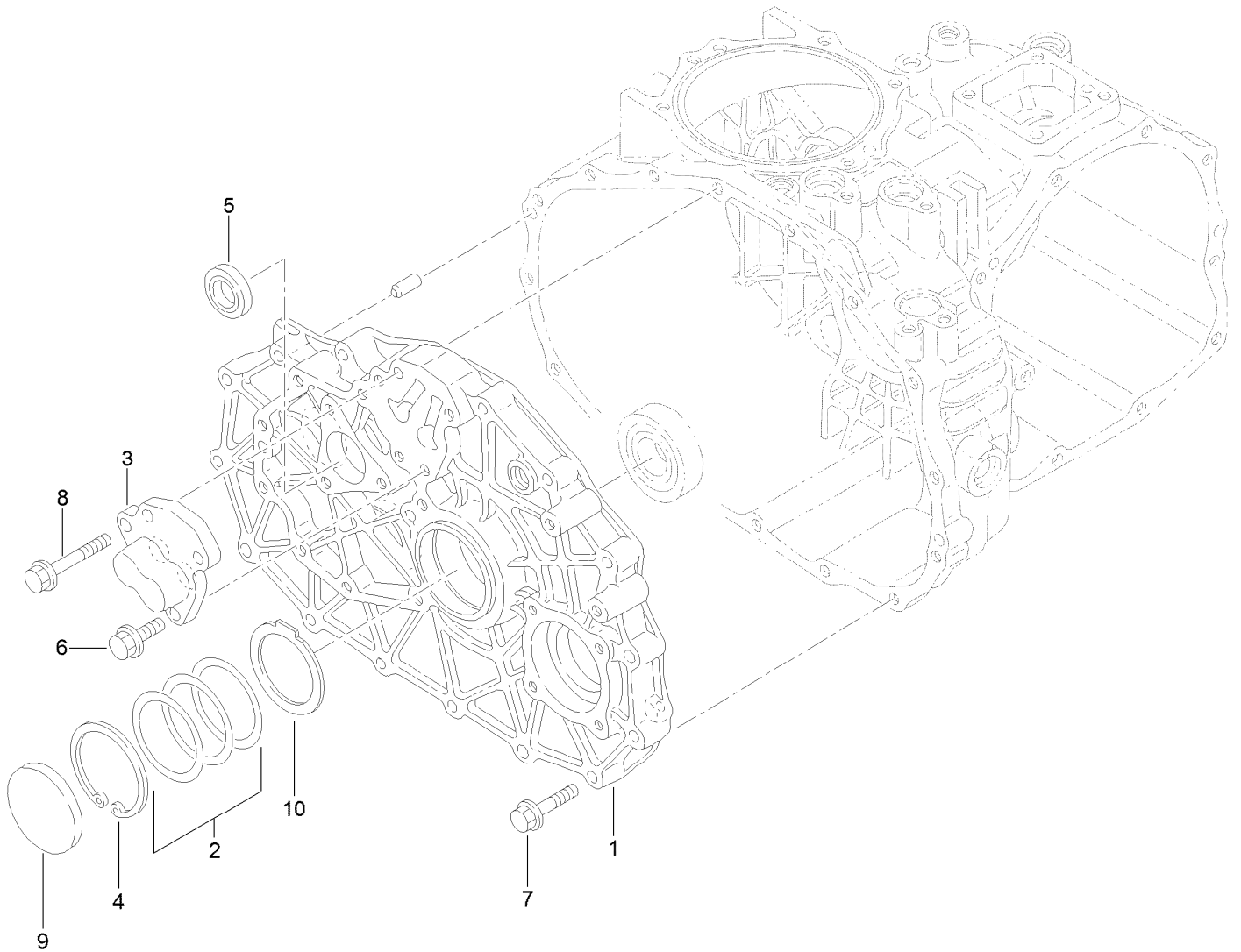
Rear Drive Assembly (continued)

Ref.	Part Number	Qty.	Description	Ref.	Part Number	Qty.	Description
38	3290-357	1	Nut-HHF, Whiz	51	127-3958	4	Nut-Lock, NI
39	103-9511	2	Nut-Lock, NI	52	3253-23	4	Washer-Lock
40	98-7977	5	Screw-HHF	53	327-4	4	Screw-HH
41	33104-025	4	Screw-HHF	54	125-7959-03	1	Bracket-Fender
42	92-3735	1	Seal-Sensor, Oil	55	125-7960-03	1	Bracket-Fender
43	120-4800	1	Sensor-Geartooth	56	3274-32	2	Screw-HSBH
44	33103-012	1	Screw-HHF	57	3256-27	4	Washer-Flat
46	33116-090	2	Screw-HH	59	3256-71	2	Washer-Flat
47	237-30	1	O-Ring	60	125-8106	1	Shim
48	87-6710	1	Switch-Transmission	61	125-8107	1	Shim
49	104-8301	12	Nut-HF, NI	62	97-1204	4	Nut-Hex
50	327-29	4	Screw-HH	63	3234-47	4	Screw-HHF



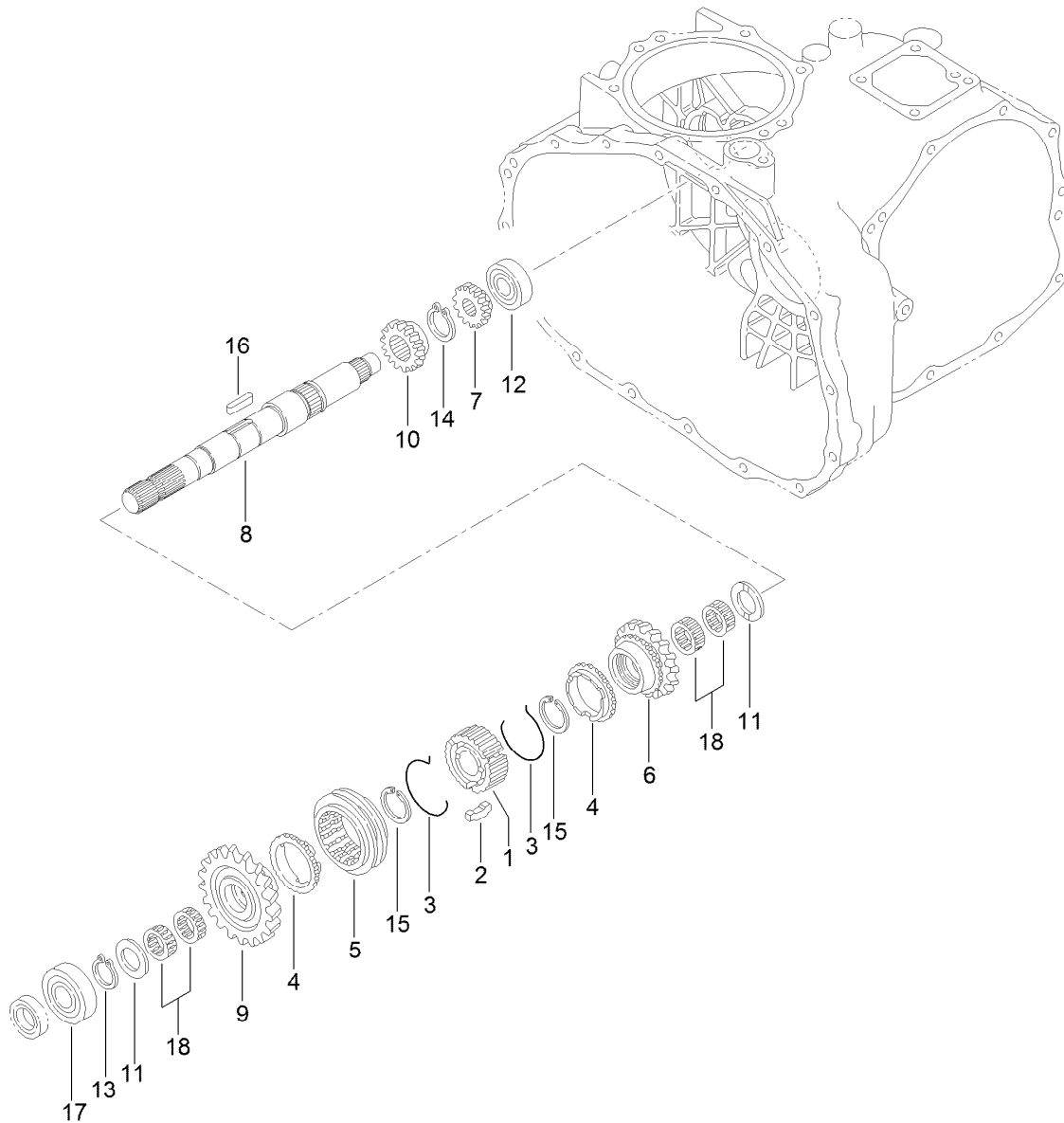
Case Assembly Transaxle Assembly No. 120-7610

<i>Ref.</i>	<i>Part Number</i>	<i>Qty.</i>	<i>Description</i>	<i>Ref.</i>	<i>Part Number</i>	<i>Qty.</i>	<i>Description</i>
2	92-0651	1	Case-Transmission	15	92-0787	1	O-Ring
3	92-3736	1	Cover ASM	16	92-0788	1	O-Ring
4	92-0653	1	Cover-Side	17	92-0790	1	O-Ring
5	92-0655	1	Cover-Seal, Axle	18	92-0793	1	Seal-Oil
6	127-3925	1	Breather	19	92-0796	5	Bolt
7	100-8594	1	Cover-Shaft, Input	20	100-6928	3	Bolt
8	100-8595	1	Cover-PTO	21	33114-025	8	Screw-HH
9	92-0662	1	Cap-Oil	23	33114-040	10	Screw-HH
10	100-6924	1	Plug	24	92-0804	1	Stud
11	100-6925	1	Packing	25	48-7930	1	Nut
12	92-0762	1	Washer-Spring	26	100-6926	1	Cap-Sealing
13	92-0765	4	Pin-Parallel	27	100-6927	1	Cap-Sealing
14	92-0773	1	Plug-Drain				



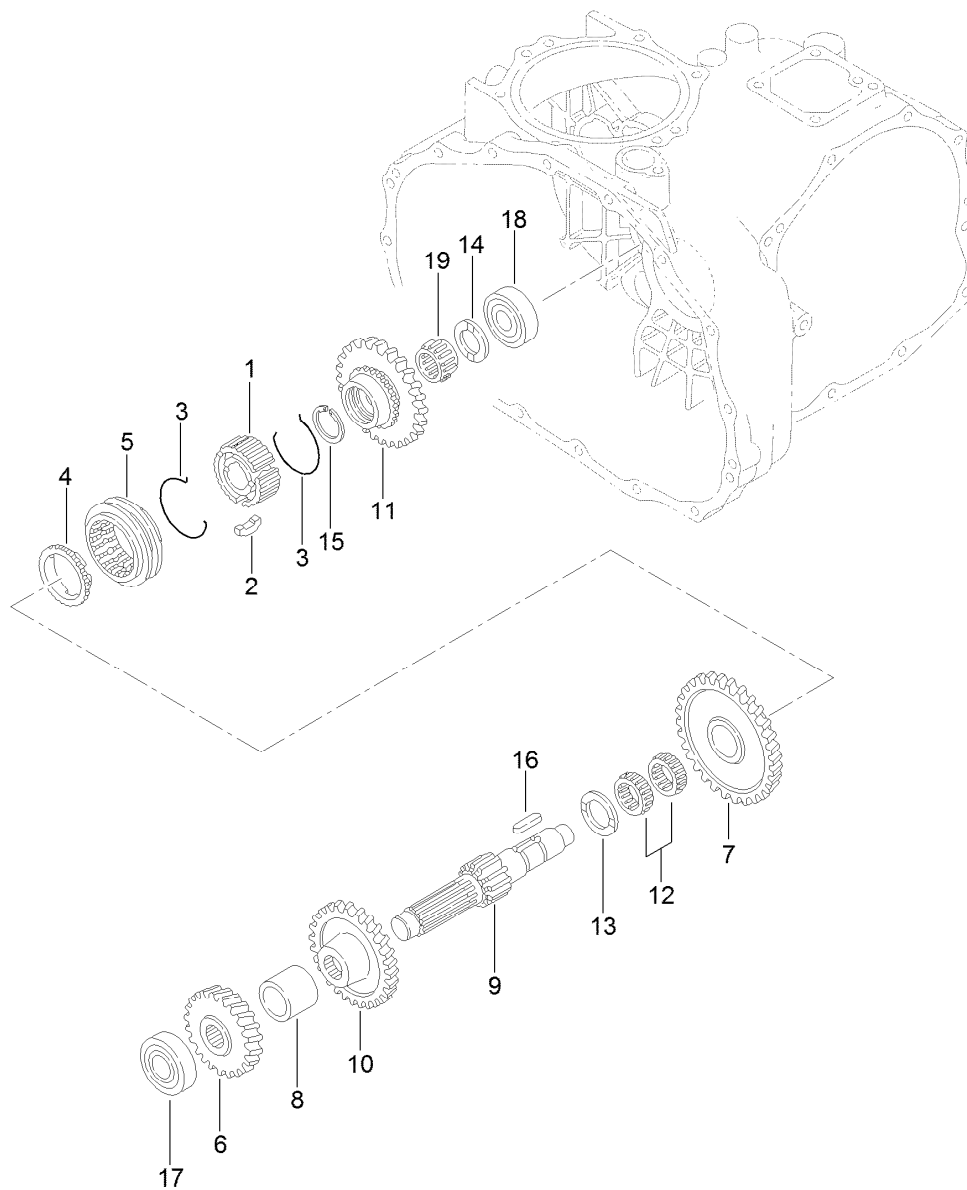
Center Plate Assembly Transaxle Assembly No. 120-7610

<i>Ref.</i>	<i>Part Number</i>	<i>Qty.</i>	<i>Description</i>
1	100-4461	1	Plate-Center
2	100-4460	1	Shim-Set
3	92-0706	1	Shaft-Fork
4	92-0759	1	Ring-Snap
5	92-0791	1	Seal-Oil
6	33114-025	3	Screw-HH
7	33114-040	15	Screw-HH
8	48-7560	1	Bolt-HH
9	92-0807	1	Cap-Sealing
10	100-4465	1	Shim (W/Tab)



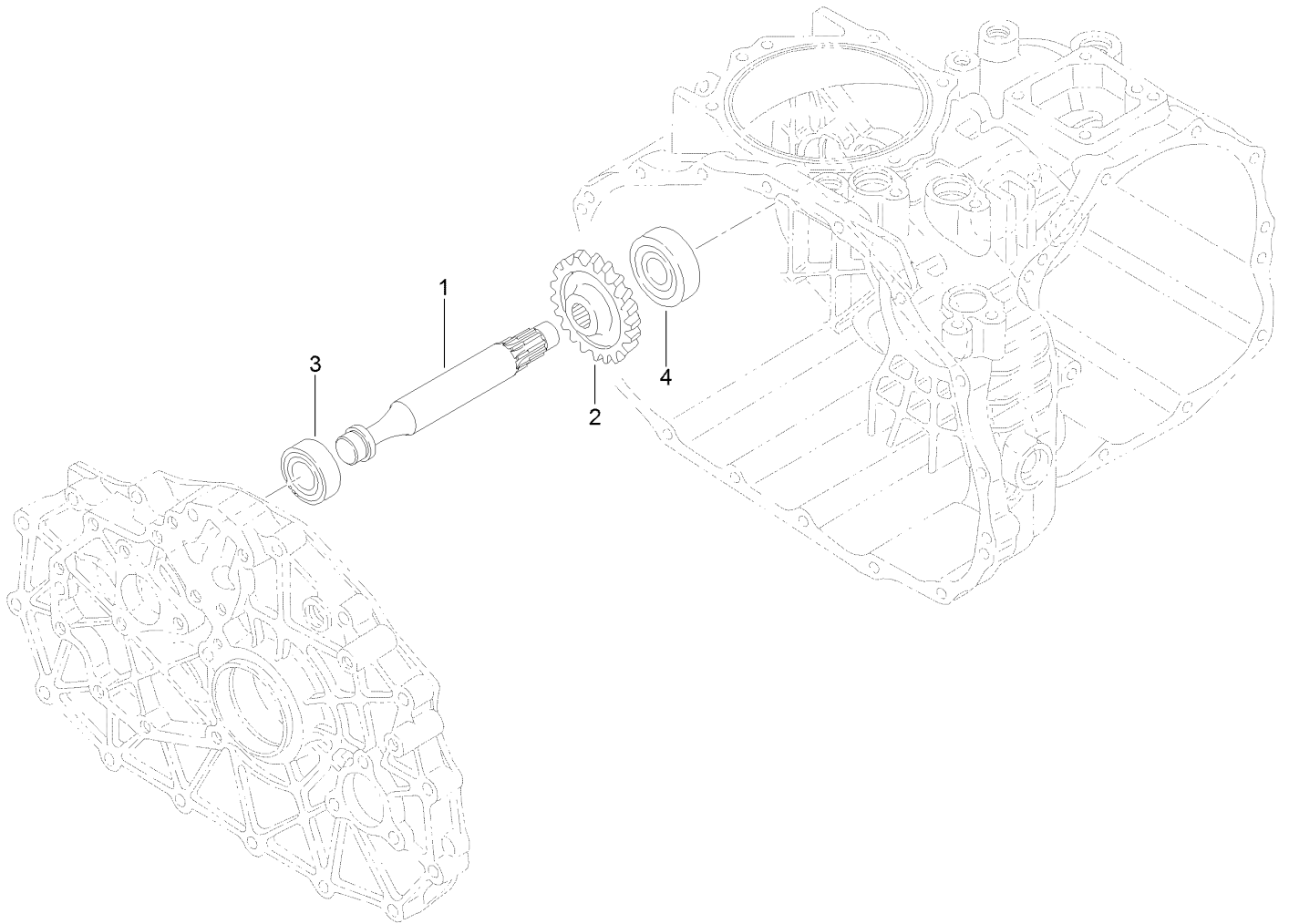
Main Shaft Assembly Transaxle Assembly No. 120-7610

<i>Ref.</i>	<i>Part Number</i>	<i>Qty.</i>	<i>Description</i>	<i>Ref.</i>	<i>Part Number</i>	<i>Qty.</i>	<i>Description</i>
1	92-0664	1	Hub-Synchro	10	100-8598	1	Gear-Main, 20 Tooth
2	92-0665	3	Key-Synchro	11	92-0740	2	Washer-Thrust
3	92-0666	2	Spring-Synchro	12	92-0650	1	Bearing
4	92-0667	2	Ring-Synchro	13	92-0753	1	Ring-Snap
5	92-0668	1	Shifter-Synchro	14	92-0754	1	Ring-Snap
6	127-3926	1	Gear-Main, 23T	15	92-0763	2	Ring-Snap
7	92-0673	1	Gear-Main, 14 Tooth	16	92-0772	1	Key
8	100-8596	1	Shaft-Main	17	251-8	1	Bearing-Ball
9	108-3694	1	Gear-Main, 36T	18	92-0781	4	Bearing-Needle



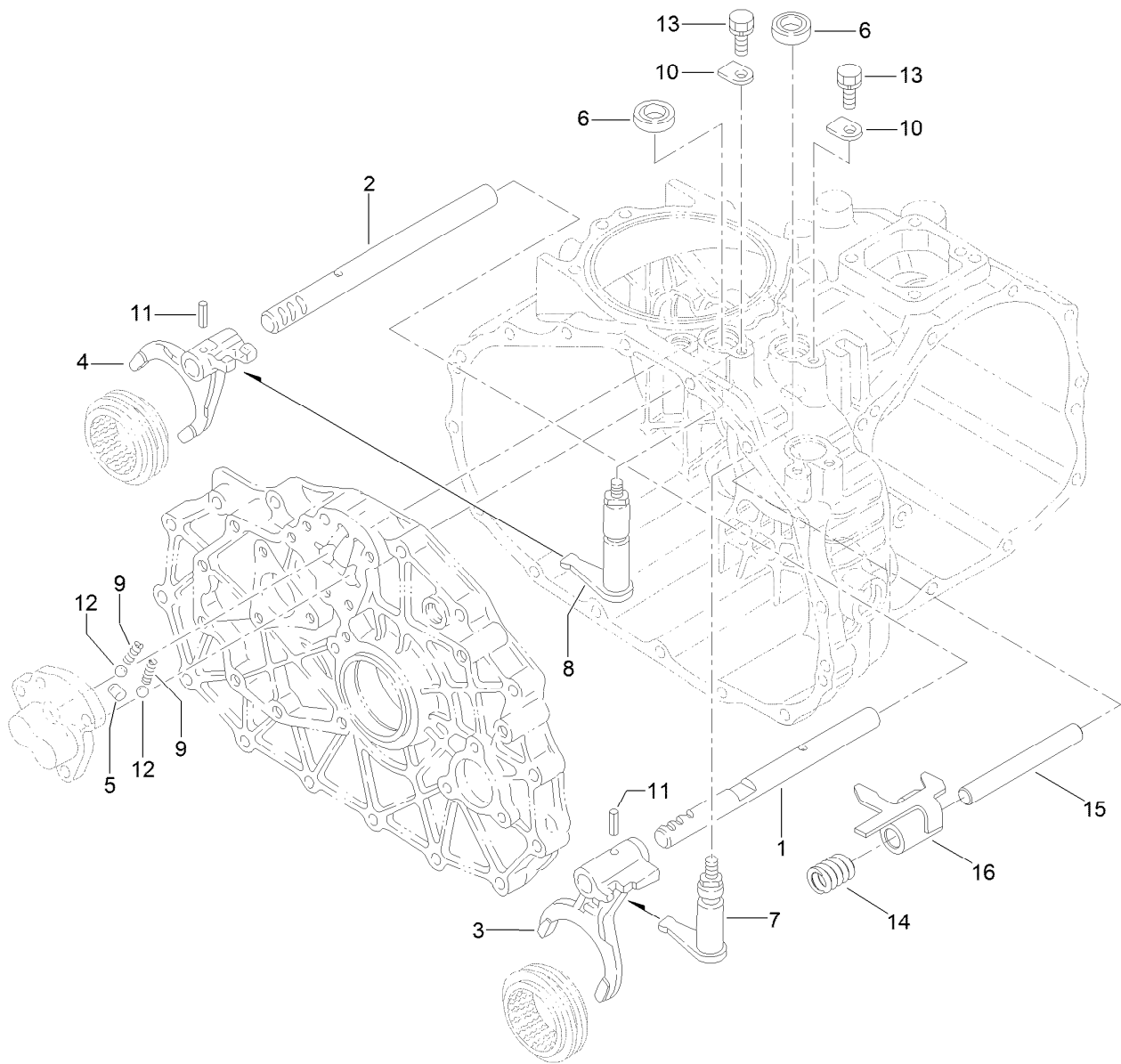
Reduction Shaft Assembly Transaxle Assembly No. 120-7610

<i>Ref.</i>	<i>Part Number</i>	<i>Qty.</i>	<i>Description</i>	<i>Ref.</i>	<i>Part Number</i>	<i>Qty.</i>	<i>Description</i>
1	92-0664	1	Hub-Synchro	11	92-0819	1	Gear-Reduction, 40 Tooth
2	92-0665	3	Key-Synchro	12	92-0681	2	Bearing-Needle
3	92-0666	2	Spring-Synchro	13	92-0682	1	Washer-Thrust
4	92-0667	1	Ring-Synchro	14	92-0740	1	Washer-Thrust
5	92-0668	1	Shifter-Synchro	15	92-0763	1	Ring-Snap
6	100-8599	1	Gear-Red, 25 Tooth	16	92-0772	1	Key
7	108-3697	1	Gear-Reduction, 47T	17	105-7985	1	Bearing
8	100-8601	1	Collar	18	92-0778	1	Bearing
9	127-3927	1	Shaft-Reduction	19	92-0782	1	Bearing-Needle
10	127-3928	1	Gear-Reduction, 31T				



Reverse Shaft Assembly Transaxle Assembly No. 120-7610

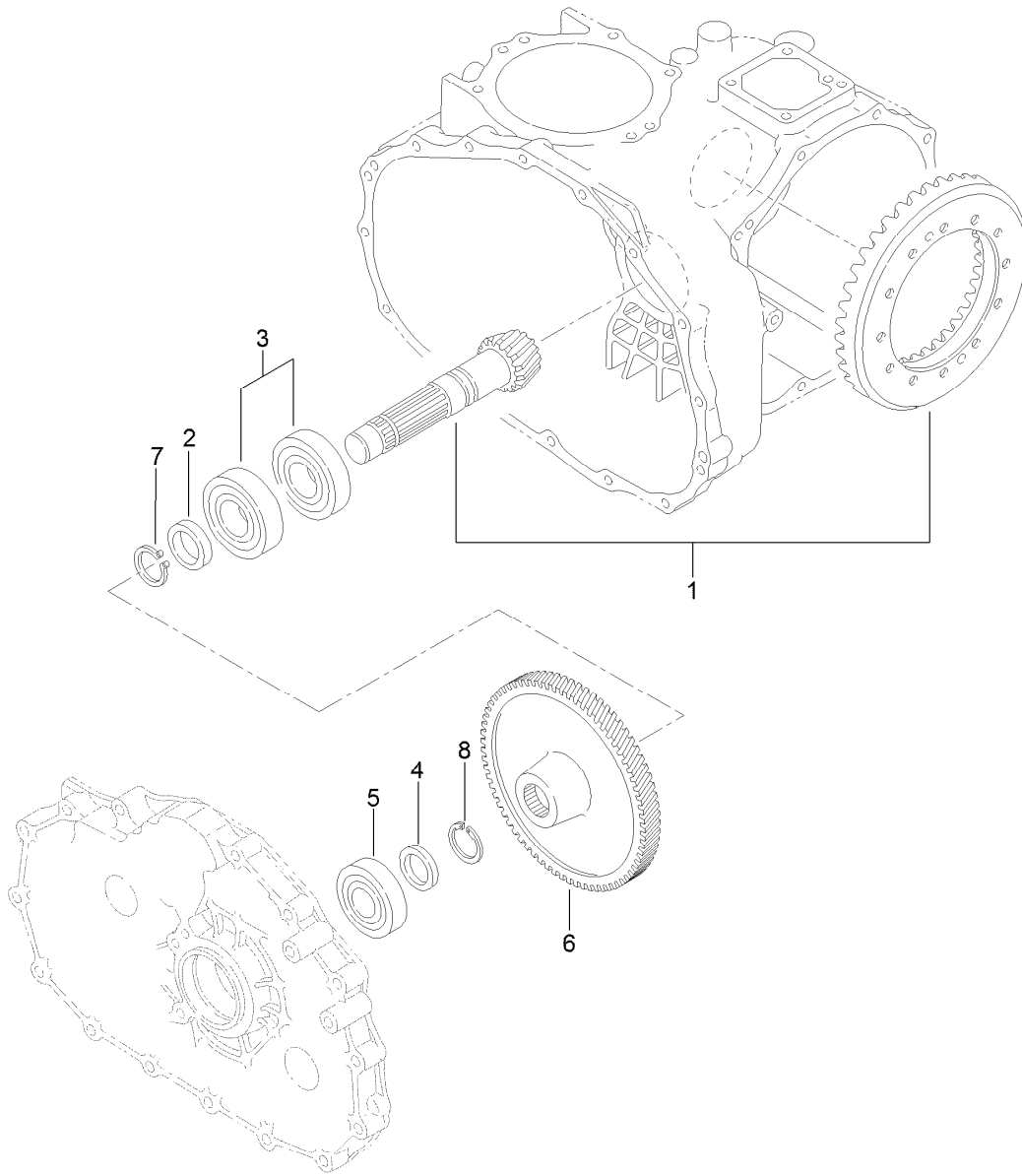
<i>Ref.</i>	<i>Part Number</i>	<i>Qty.</i>	<i>Description</i>
1	100-8602	1	Shaft-Idler, Reverse
2	92-0684	1	Gear-Reverse, 33 Tooth
3	251-346	1	Bearing-Ball
4	92-0778	1	Bearing



Main Shift Assembly Transaxle Assembly No. 120-7610

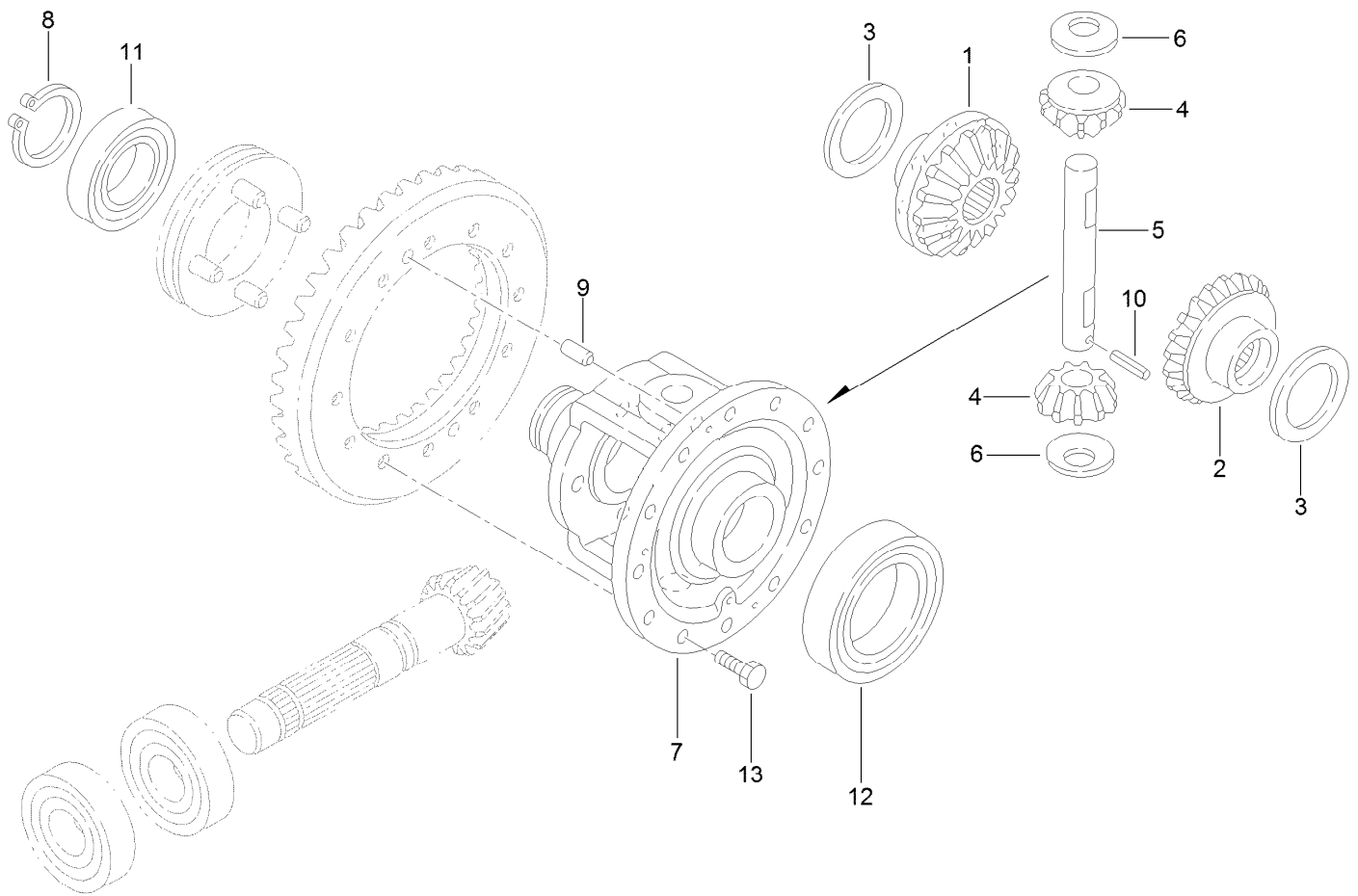
<i>Ref.</i>	<i>Part Number</i>	<i>Qty.</i>	<i>Description</i>	<i>Ref.</i>	<i>Part Number</i>	<i>Qty.</i>	<i>Description</i>
1	92-0698	1	Shaft-Fork	9	92-0731	2	Spring
2	92-0699	1	Shaft-Fork	10	92-0732	2	Plate-Keeper
3	92-0700	1	Fork-Shift	11	92-0769	2	Pin-Roll
4	92-0701	1	Fork-Shift	12	92-0785	2	Ball-Steel
5	92-0705	1	Lock-Spindle	13	33114-016	2	Screw-HH
6	92-0729	2	Seal-Oil	14	127-3931	1	Spring-Switch ●
7	127-3929	1	Arm-Shift	15	127-3932	1	Shaft-Switch ●
8	127-3930	1	Arm-Shift	16	127-3933	1	Plate-Switch ●

● Not illustrated



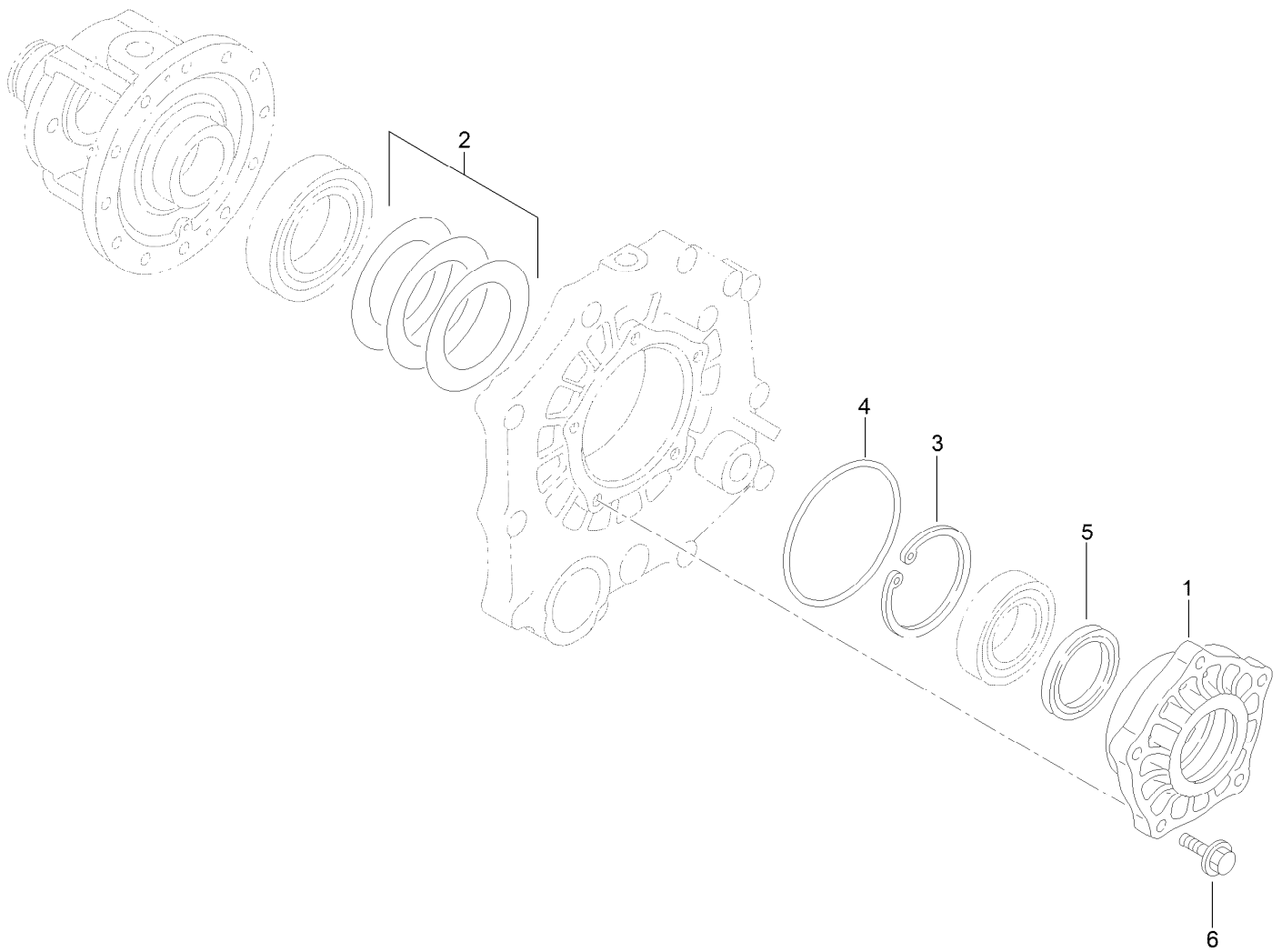
Counter Shaft Assembly Transaxle Assembly No. 120-7610

<i>Ref.</i>	<i>Part Number</i>	<i>Qty.</i>	<i>Description</i>
1	92-0710	1	Gear-Ring
2	92-0713	1	Collar
3	92-0714	2	Bearing
4	92-0716	1	Collar
5	92-0712	1	Bearing-Ball
6	100-8603	1	Gear-Count
7	92-0755	1	Ring-Snap
8	92-0764	1	Ring-Snap



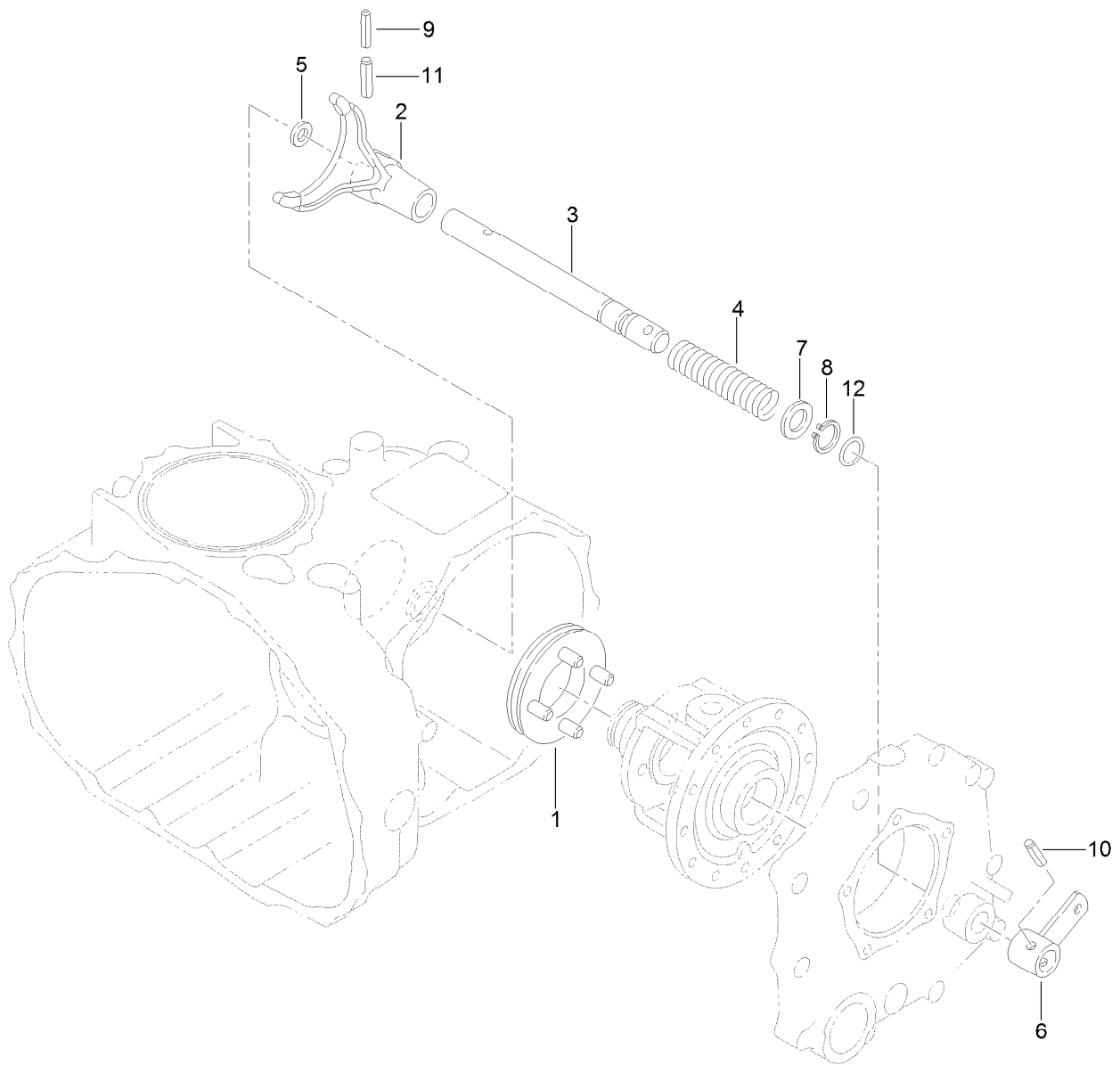
Differential Gear Assembly Transaxle Assembly No. 120-7610

<i>Ref.</i>	<i>Part Number</i>	<i>Qty.</i>	<i>Description</i>
1	92-0745	1	Gear-Side, LH
2	92-0746	1	Gear-Side, RH
3	92-0747	2	Side-Gear, Left Inner
4	92-0748	2	Pinion-Differential
5	92-0749	1	Shaft-Pinion
6	92-0750	2	Washer
7	92-0720	1	Case-Differential
8	92-0756	1	Ring-Snap
9	92-0765	2	Pin-Parallel
10	92-0768	1	Pin-Roll, Spring
11	92-0775	1	Bearing
12	92-0776	1	Bearing
13	92-0803	12	Bolt



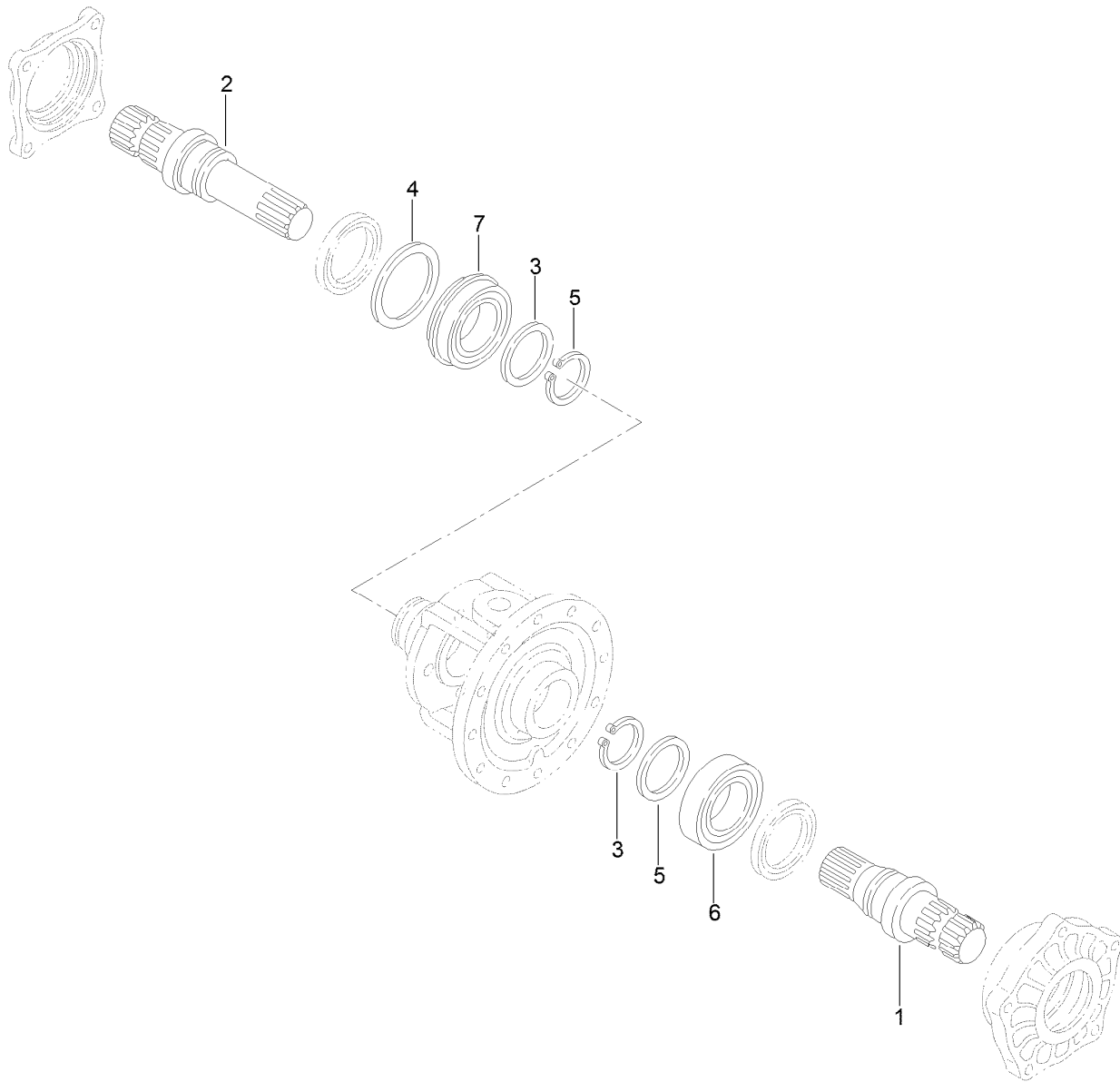
Differential Carrier Assembly Transaxle Assembly No. 120-7610

<i>Ref.</i>	<i>Part Number</i>	<i>Qty.</i>	<i>Description</i>
1	92-0654	1	Carrier-Differential
2	92-0809	1	Set-Shim
3	92-0760	1	Ring-Snap
4	92-0789	1	O-Ring
5	92-0793	1	Seal-Oil
6	48-7730	5	Screw-Cap, HH



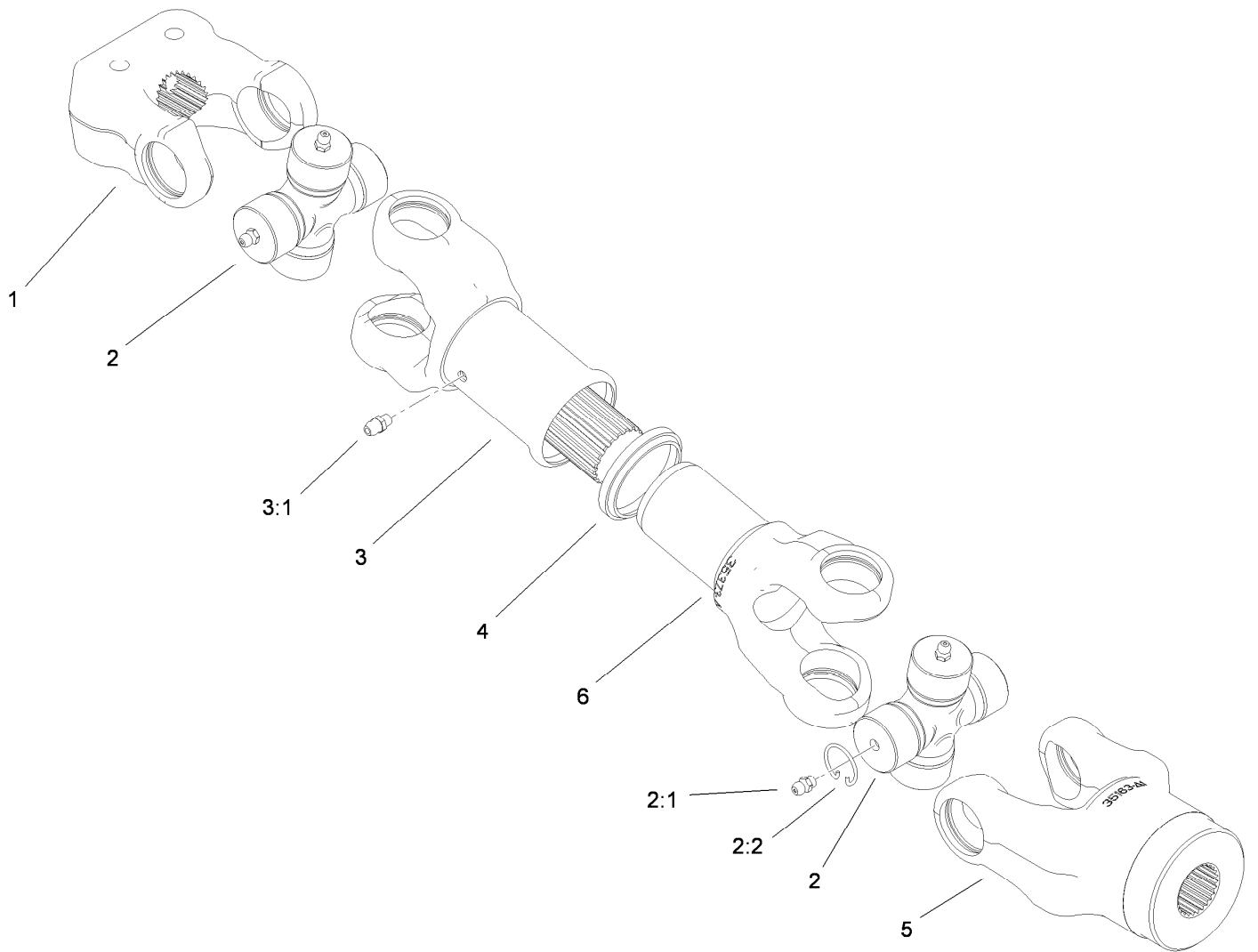
Differential Lock Assembly Transaxle Assembly No. 120-7610

<i>Ref.</i>	<i>Part Number</i>	<i>Qty.</i>	<i>Description</i>
1	92-0730	1	Slider-Differential, Lock
2	92-0721	1	Fork-Lock, Differential
3	92-0722	1	Shaft-Fork, Lock Differential
4	92-0723	1	Spring-Lock, Differential
5	92-0744	1	Washer
6	92-0724	1	Arm-Lock, Differential
7	92-0733	1	Washer
8	92-0753	1	Ring-Snap
9	92-0768	1	Pin-Roll, Spring
10	92-0770	1	Pin-Roll, Spring
11	92-0771	1	Pin-Roll, Spring
12	92-0787	1	O-Ring



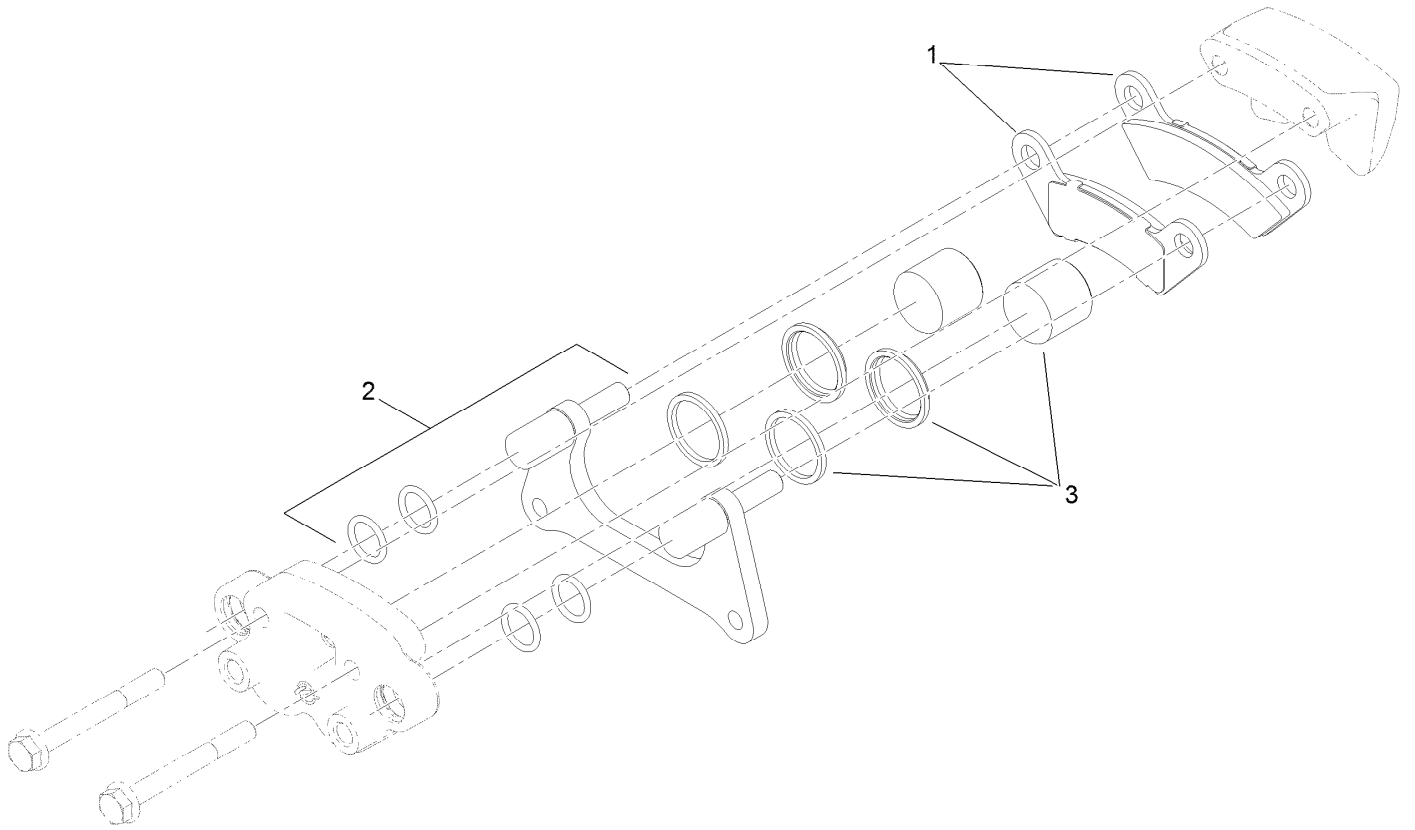
Axle Shaft Assembly Transaxle Assembly No. 120-7610

<i>Ref.</i>	<i>Part Number</i>	<i>Qty.</i>	<i>Description</i>
1	92-0725	1	Shaft-Axle, Left
2	92-0726	1	Shaft-Axle, Right
3	92-0727	2	Washer
4	92-0728	1	Washer
5	92-0756	2	Ring-Snap
6	92-0775	1	Bearing
7	92-0780	1	Bearing



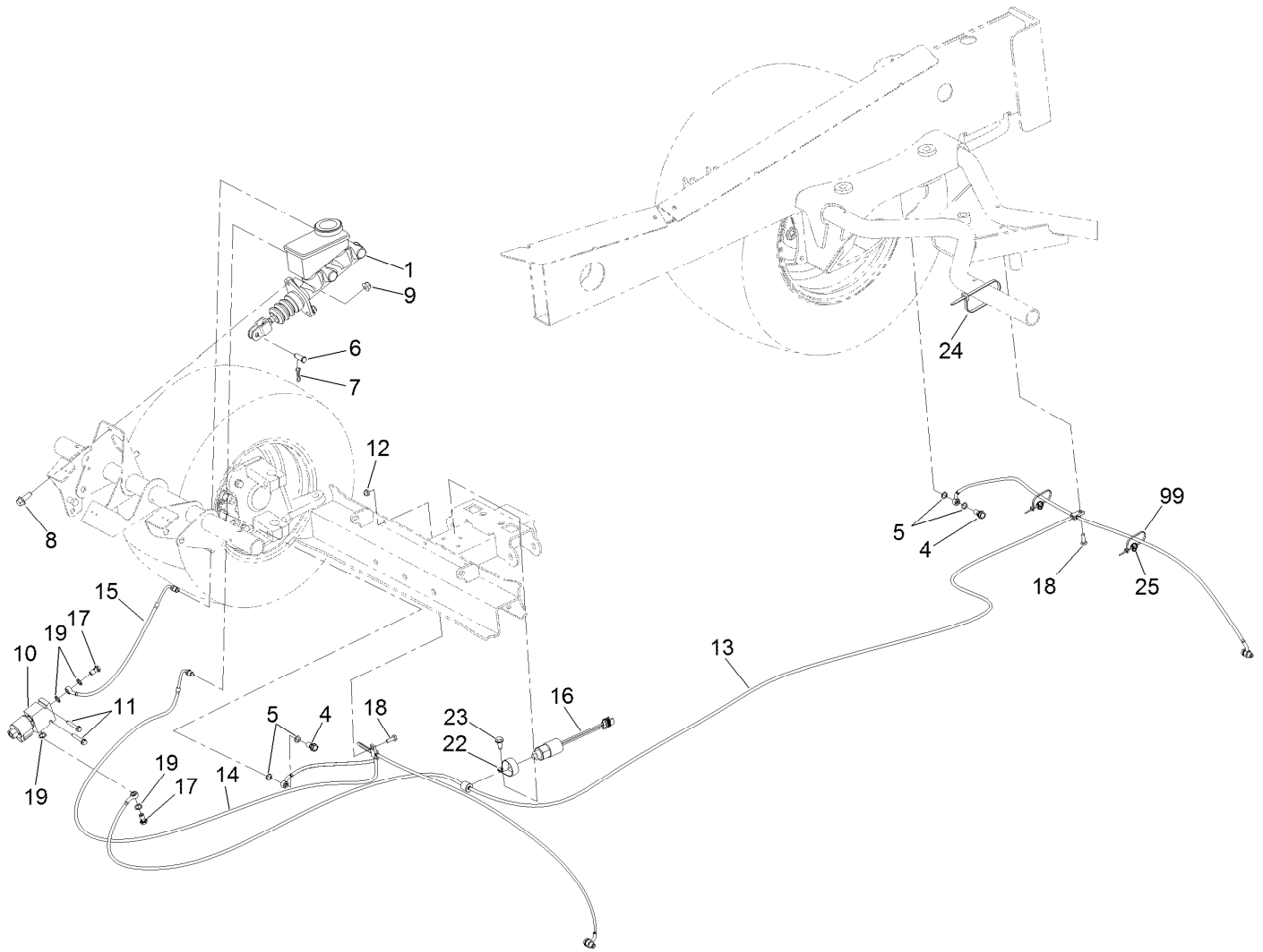
Driveshaft Assembly No. 114-8367

<i>Ref.</i>	<i>Part Number</i>	<i>Qty.</i>	<i>Description</i>
1	98-2940	1	Yoke
2	92-4187	2	Cross And Bearing Kit
2:1	302-58	4	Fitting-Straight
2:2	92-4188	4	Ring-Snap
3	92-4179	1	Yoke-Tube, Shaft And Seal
3:1	302-5	1	Fitting-Grease
4	92-4180	1	Seal
5	115-2351	1	Yoke
6	92-4182	1	Yoke-Telescoping



Brake Caliper Assembly No. 127-7424

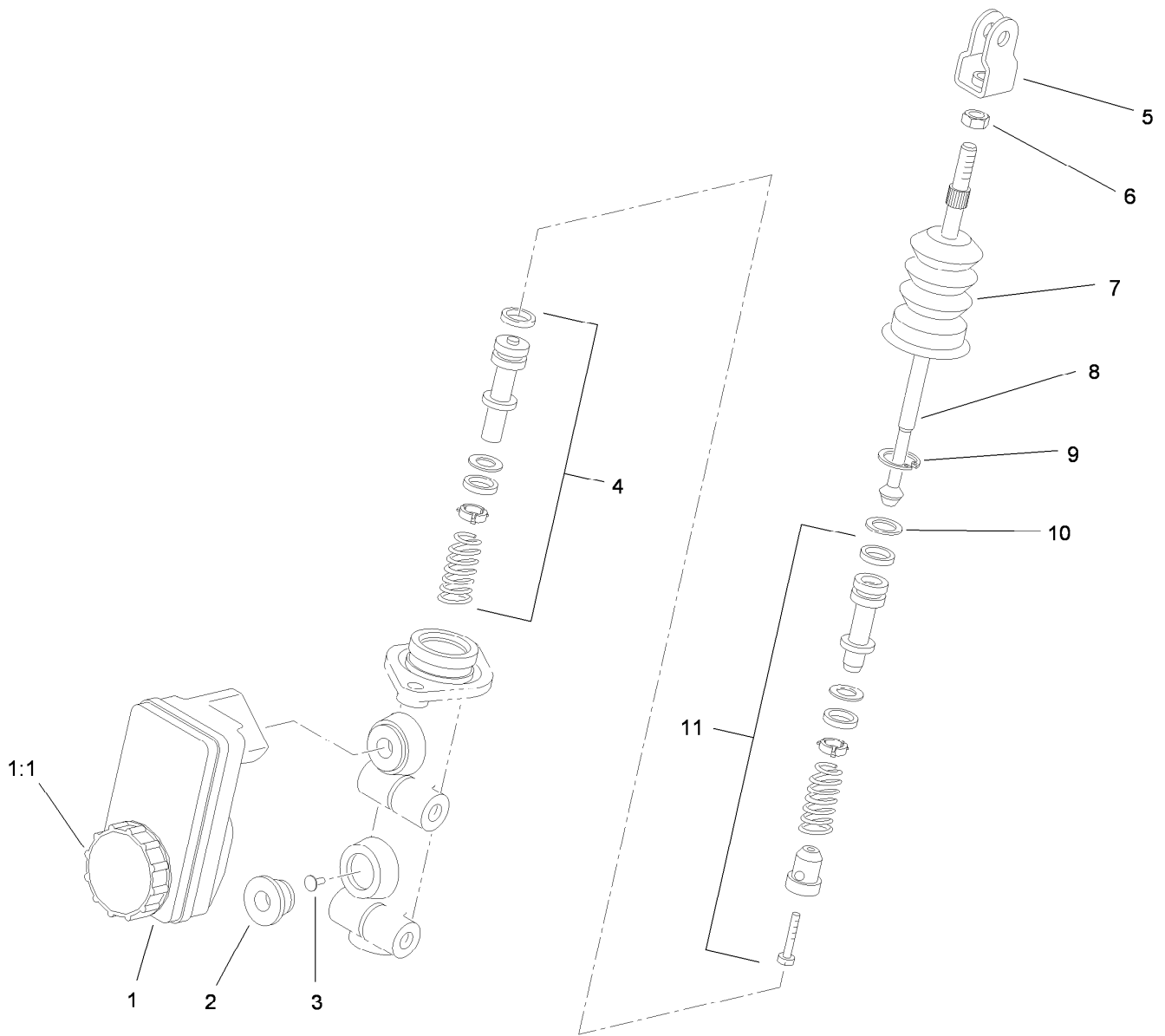
<i>Ref.</i>	<i>Part Number</i>	<i>Qty.</i>	<i>Description</i>
1	119-9510	1	Pads-Brake
2	119-9511	1	Bracket Kit
3	119-9512	1	Piston Kit



Brake Hydraulic Assembly

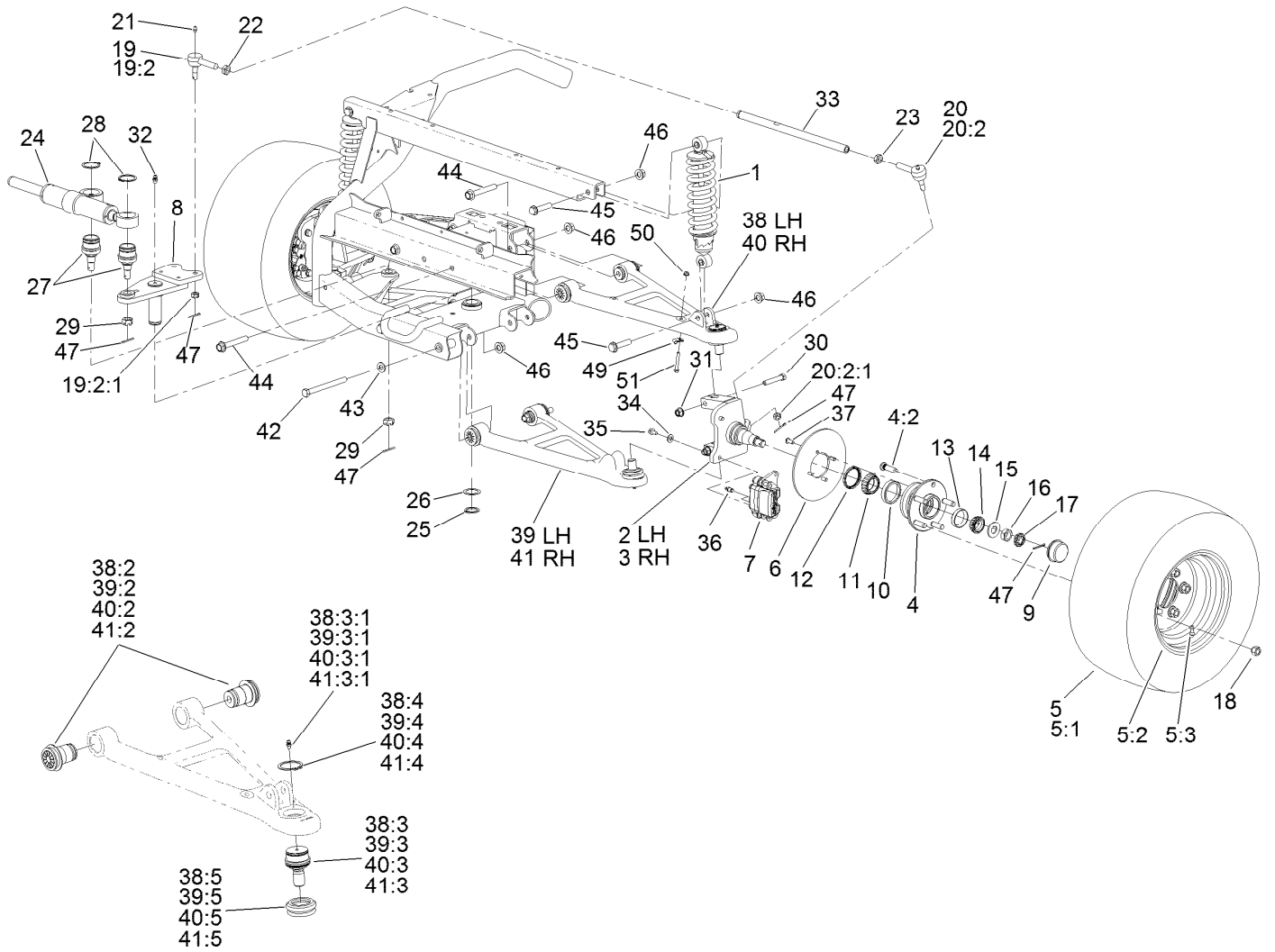
Ref.	Part Number	Qty.	Description
1	104-6782	1	Master Cylinder ASM
4	120-4875	4	Bolt-Flange, Banjo
5	115-2341	8	Washer-Banjo
6	283-2	1	Pin-Clevis
7	119-1415	1	Pin-Cotter, Locking
8	3234-11	2	Screw-HHF
9	104-8301	2	Nut-HF, NI
10	125-0900	1	Valve-Brake Hold
11	94-2691	2	Screw-HWH
12	104-7201	1	Nut-HF
13	125-7998	1	Line-Brake, Rear

Ref.	Part Number	Qty.	Description
14	125-7999	1	Line-Brake, Front
15	125-8000	1	Line-Brake, Solenoid
16	130-7148	1	Switch-Pressure
17	125-8005	2	Bolt-Banjo
18	321-4	2	Screw-HH
19	127-3914	4	Washer-Banjo
22	2412-74	1	R-Clamp
23	32104-32	1	Screw-HWH
24	3290-378	1	Tie-Cable
25	32180-030	2	Clip-Tie
99	3290-379	6	Tie-Cable



Master Cylinder Assembly No. 104-6782

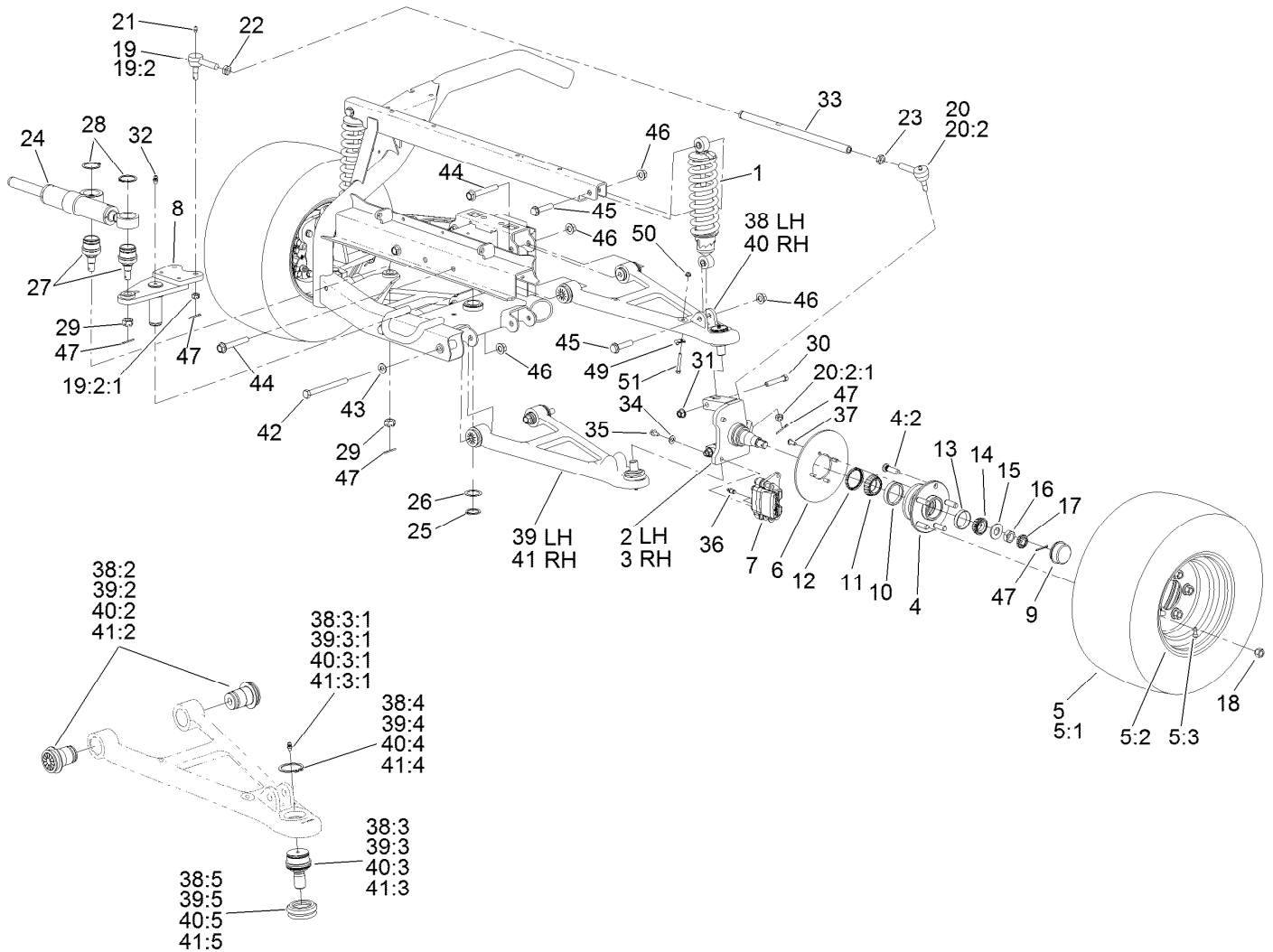
Ref.	Part Number	Qty.	Description
1	104-6845	1	Reservoir ASM
1:1	92-4112	1	Cap ASM
2	93-8971	2	Seal-Port, Flange
3	92-4103	1	Pin-Stop
4	92-4102	1	Secondary Piston ASM
5	92-4110	1	Clevis
6	21-0360	1	Nut-Hex
7	94-5209	1	Cover-Dust
8	94-5210	1	Rod-Push
9	92-4109	1	Ring-Snap
10	92-4108	1	Retainer-Washer
11	92-4101	1	Primary Piston ASM



Front Suspension Assembly

Ref.	Part Number	Qty.	Description	Ref.	Part Number	Qty.	Description
1	120-7616	2	Coil Over Shock ASM	15	93-0309	2	Washer-Tab
2	125-0730-03	1	Spindle-LH	16	3220-7	2	Nut-Jam
3	125-0723-03	1	Spindle-RH	17	93-0307	2	Nut-Lock, Retainer
4	117-8071	2	Hub ASM	18	242-50	10	Nut-Lug
4:2	10-6830	5	Stud-Type, Drive	19	112772-03	2	Joint-Ball, RH
5	125-0763	2	Tire And Wheel ASM	19:2		1	Socket-Balljoint ●
5:1	120-7639	1	Tire	19:2:1	915031	1	Nut
5:2	125-0764	1	Wheel	20	112771-03	2	Joint-Ball, LH
5:3	232-27	1	Stem-Valve	20:2		1	Socket-Balljoint ●
6	131-3460	2	Rotor	20:2:1	915031	1	Nut
7	127-7424	2	Brake Caliper ASM	21	302-5	4	Fitting-Grease
8	125-0750-03	1	Arm-Pitman	22	3220-11	2	Nut-Jam
9	241-119	2	Cap-Dust	23	3218-21	2	Nut-Jam
10	254-107	2	Cup-Bearing, Tapered	24	125-0720	1	Cylinder-Hydraulic, Steering
11	254-106	2	Cone-Bearing, Tapered	25	32151-77	1	Ring-Retaining, External
12	108-7019	2	Seal-Shaft	26	76-2980	1	Washer-Thrust
13	254-72	2	Bearing-Cup, Tapered	27	117-9875	2	Joint-Ball
14	254-94	2	Bearing-Cone, Tapered	28	32151-104	2	Ring-Retaining, External

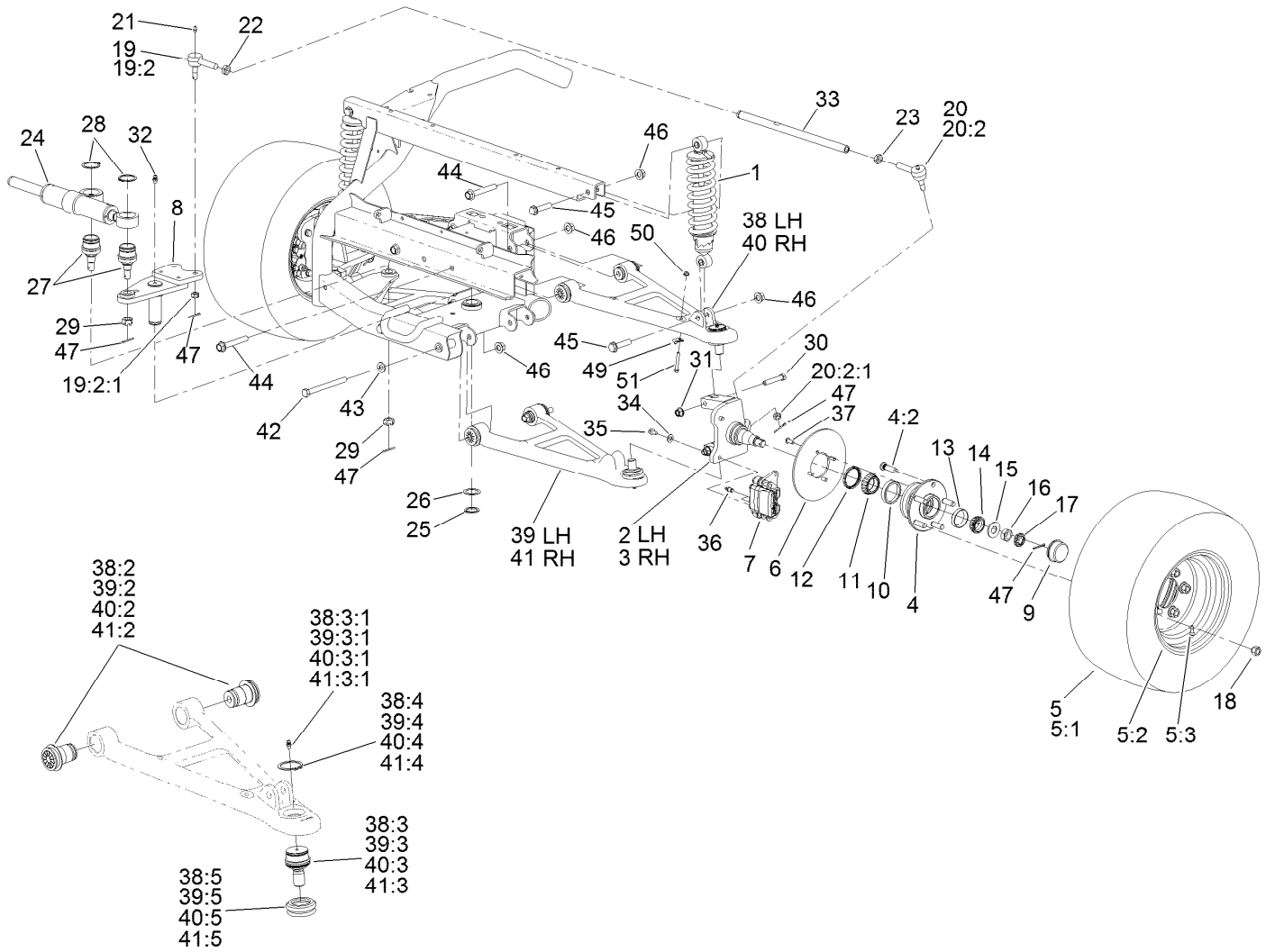
● Not serviced separately



Front Suspension Assembly (continued)

Ref.	Part Number	Qty.	Description	Ref.	Part Number	Qty.	Description
29	32136-2	2	Nut-SHH	39:3:1	302-5	1	Fitting-Grease
30	324-10	4	Screw-HH	39:4	32151-104	1	Ring-Retaining, External
31	114-8417	4	Nut-HF, NI	39:5	87-2420	1	Seal-Joint, Ball
32	302-52	1	Fitting-Grease	40	125-8023	1	RH Upper Control Arm ASM
33	115-7654	2	Tie Rod	40:2	87-1450	2	Bushing-Flange
34	3253-21	4	Washer-Lock	40:3	115-2165	1	Ball Joint
35	323-6	4	Screw-HH	40:3:1	302-5	1	Fitting-Grease
36	119-9509	2	Screw-Bleed	40:4	32151-104	1	Ring-Retaining, External
37	3274-55	8	Screw-HSBH	40:5	87-2420	1	Seal-Joint, Ball
38	125-8021	1	LH Upper Control Arm ASM	41	125-8024	1	RH Lower Control Arm ASM
38:2	87-1450	2	Bushing-Flange	41:2	87-1450	2	Bushing-Flange
38:3	115-2165	1	Ball Joint	41:3	115-2165	1	Ball Joint
38:3:1	302-5	1	Fitting-Grease	41:3:1	302-5	1	Fitting-Grease
38:4	32151-104	1	Ring-Retaining, External	41:4	32151-104	1	Ring-Retaining, External
38:5	87-2420	1	Seal-Joint, Ball	41:5	87-2420	1	Seal-Joint, Ball
39	125-8022	1	LH Lower Control Arm ASM	42	325-22	2	Screw-HH
39:2	87-1450	2	Bushing-Flange	43	3256-26	2	Washer-Flat
39:3	115-2165	1	Ball Joint	44	114-8419	6	Screw-HHF

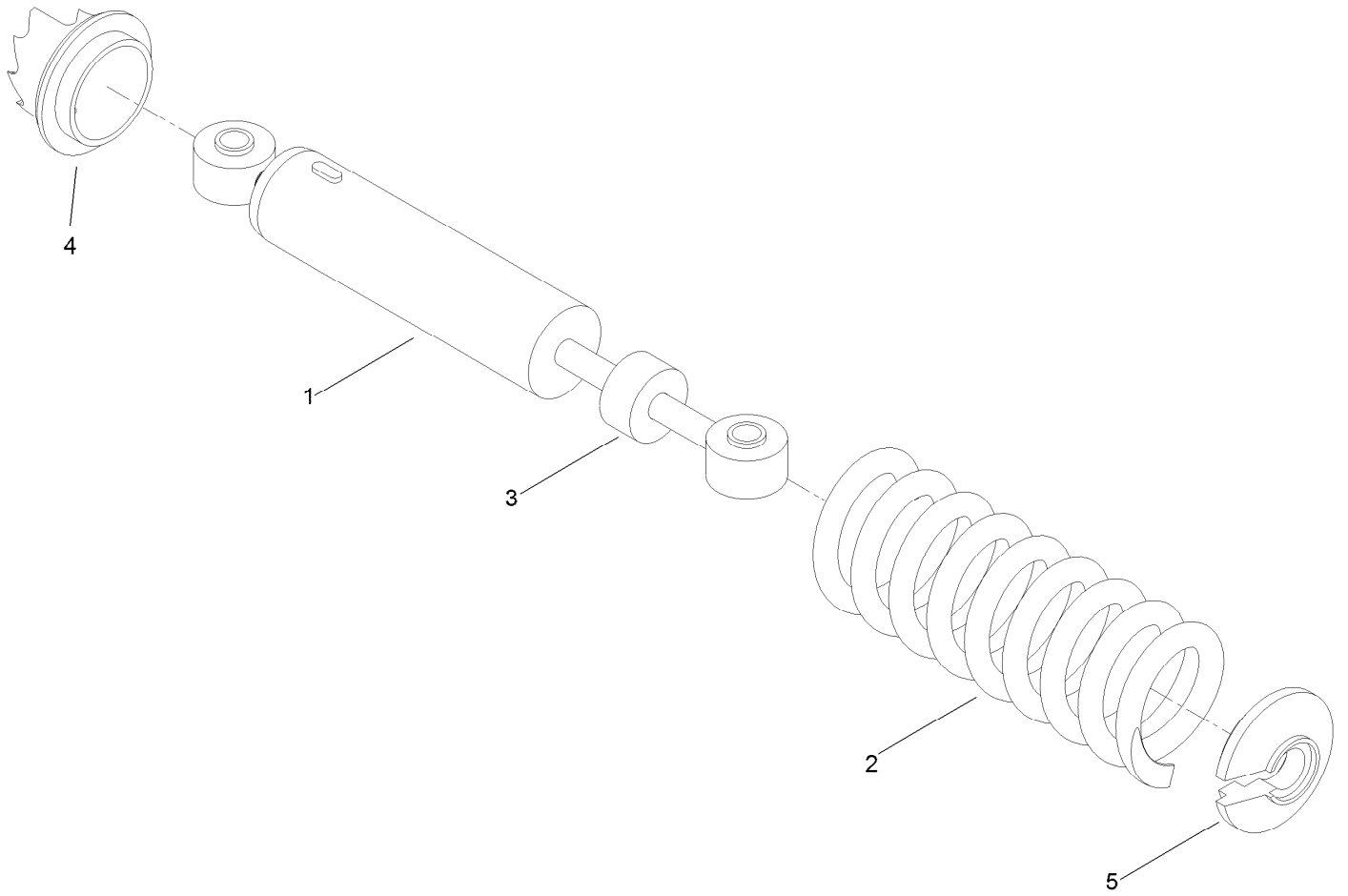
● Not serviced separately



Front Suspension Assembly (continued)

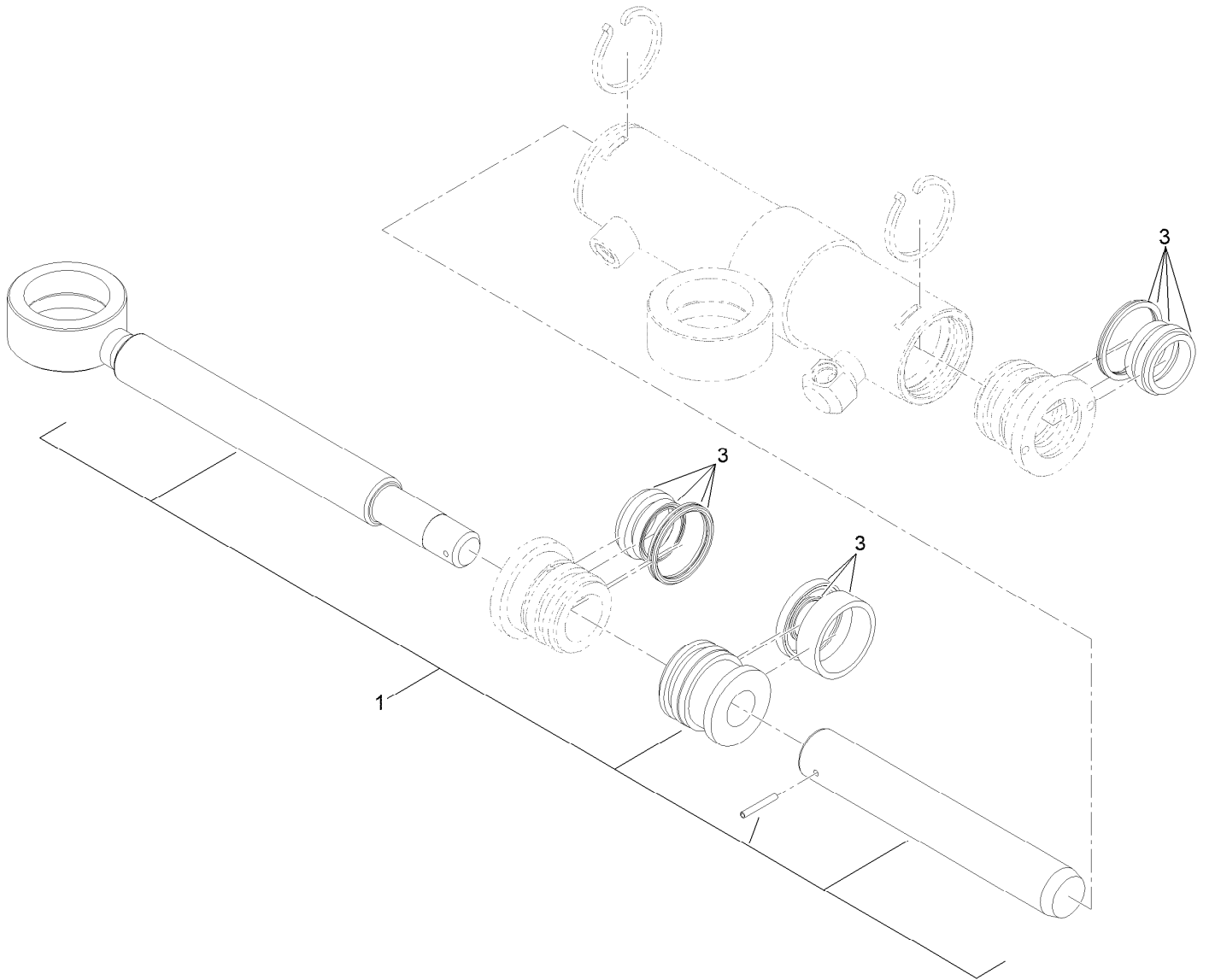
Ref.	Part Number	Qty.	Description	Ref.	Part Number	Qty.	Description
45	3234-46	4	Screw-HHF	49	2412-72	2	Clip-Closed, Insulated
46	99-5107	12	Nut-Lock	50	104-7201	2	Nut-HF
47	3272-12	8	Pin-Cotter	51	321-11	2	Screw-HH

● Not serviced separately



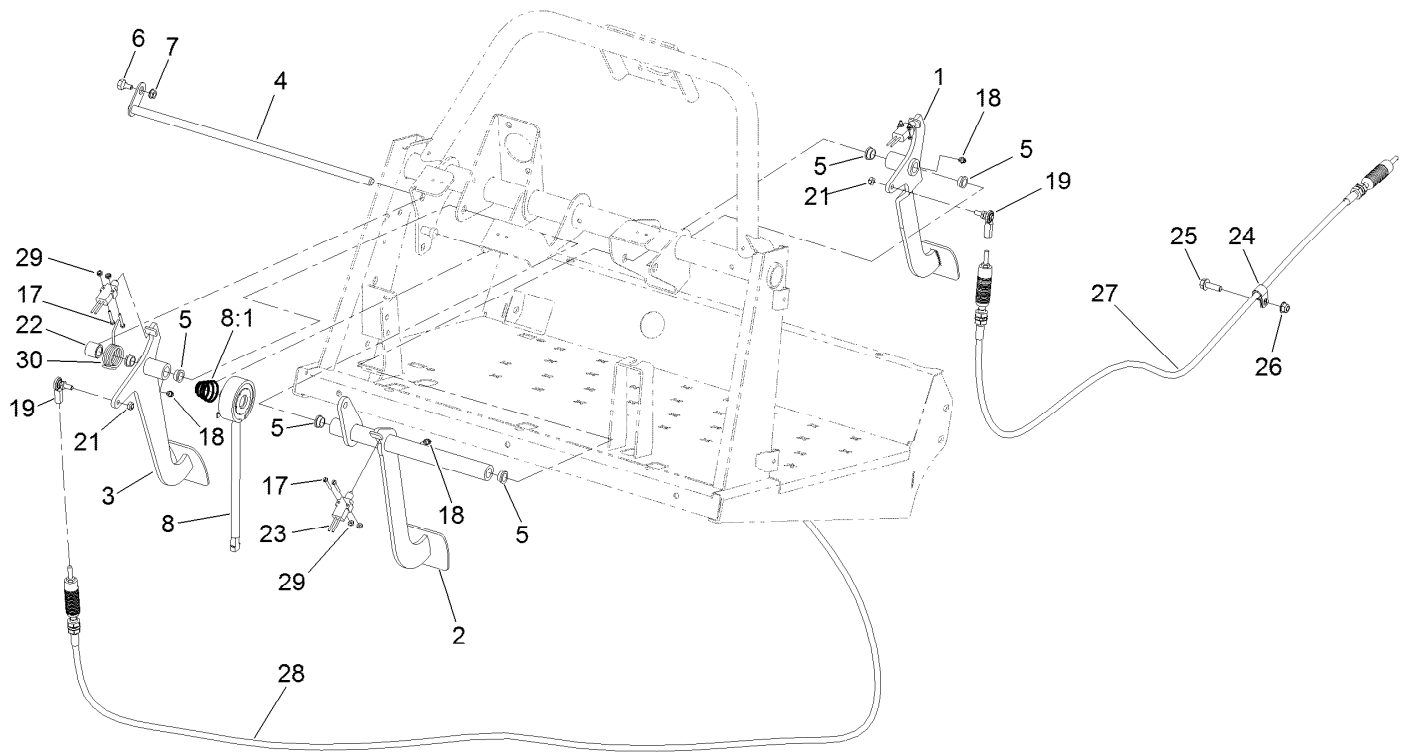
Coil Over Shock Assembly No. 120-7616

<i>Ref.</i>	<i>Part Number</i>	<i>Qty.</i>	<i>Description</i>
1	112-3380	1	Shock
2	120-7617	1	Spring-400Lb
3	112-3384	1	Bumper
4	112-3382	1	Adjuster-Spring, Shock
5	112-3381	1	Cap-Shock



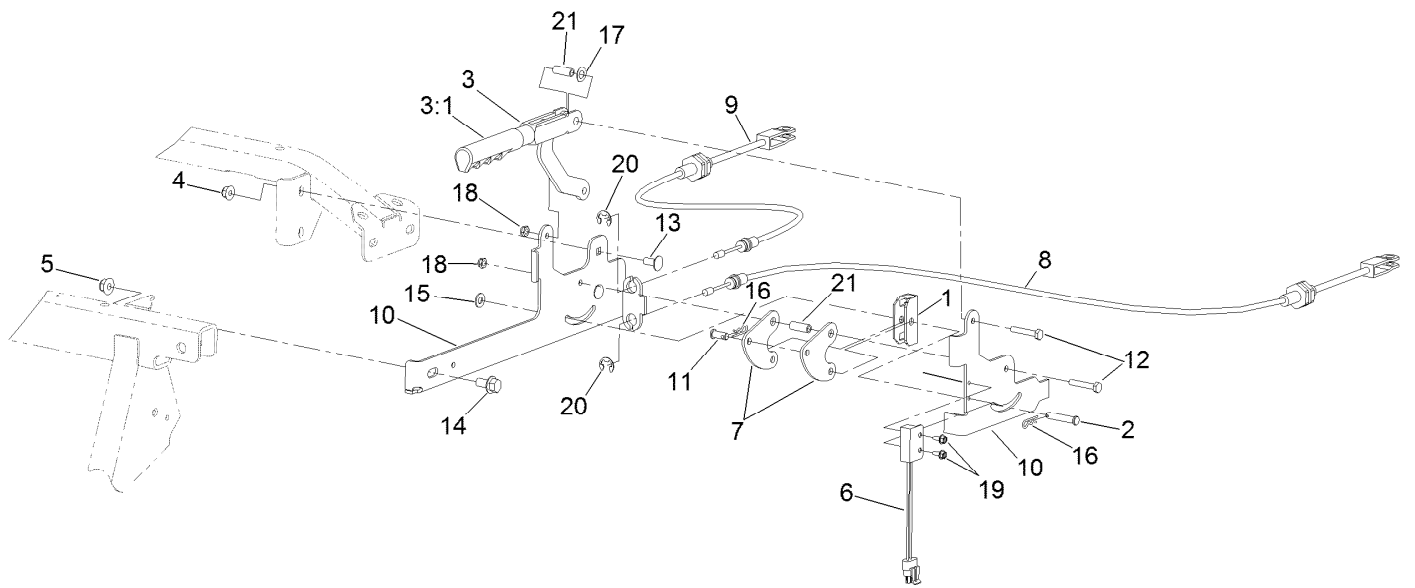
Hydraulic Cylinder Assembly No. 125-0720

<i>Ref.</i>	<i>Part Number</i>	<i>Qty.</i>	<i>Description</i>
1	125-0722	1	Rod-Cylinder
3	115-2160	1	Cylinder Repair Kit



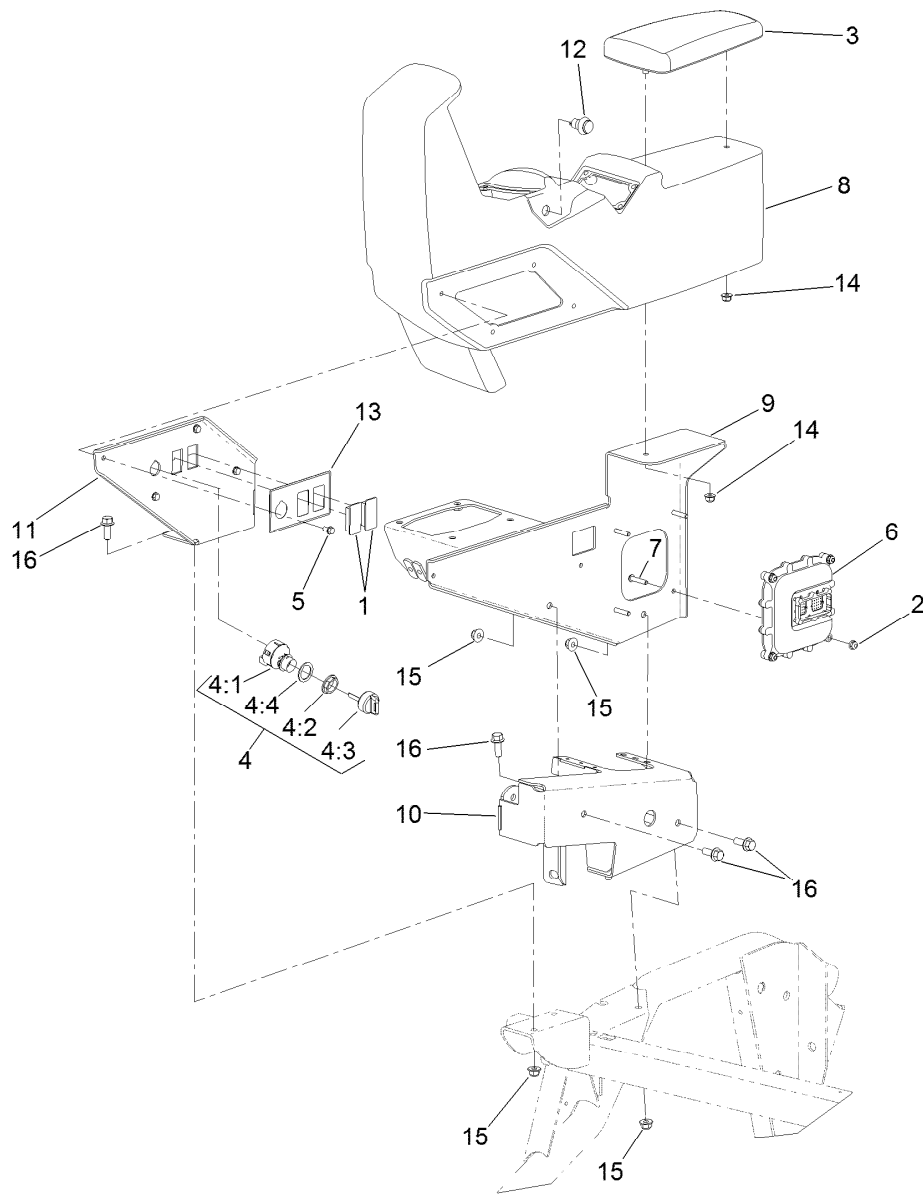
Pedal Assembly

<i>Ref.</i>	<i>Part Number</i>	<i>Qty.</i>	<i>Description</i>	<i>Ref.</i>	<i>Part Number</i>	<i>Qty.</i>	<i>Description</i>
1	125-0702-03	1	Pedal	19	110-2554	2	Rod End-Spherical
2	125-0700-03	1	Pedal	21	3296-13	2	Nut-Lock, NI
3	125-0701-03	1	Pedal	22	99-2079	1	Spacer
4	125-0825	1	Pivot	23	99-3410	3	Switch
5	256-156	6	Bushing-Flange	24	2412-93	1	Clamp-R
6	63-3410	1	Screw-Shoulder	25	3234-17	1	Screw-HHF
7	32128-33	1	Nut-HF	26	104-8300	1	Nut-HF, NI
8	99-8090	1	Magnet ASM	27	125-0957	1	Cable-Clutch
8:1	93-6601	1	Spring-Compression	28	125-0958	1	Cable-Accelerator
17	32105-9	6	Screw	29	3296-9	6	Nut-Hex
18	302-5	3	Fitting-Grease	30	130-7060	1	Spring-Torsion, LH



Parking Brake Lever and Cable Assembly

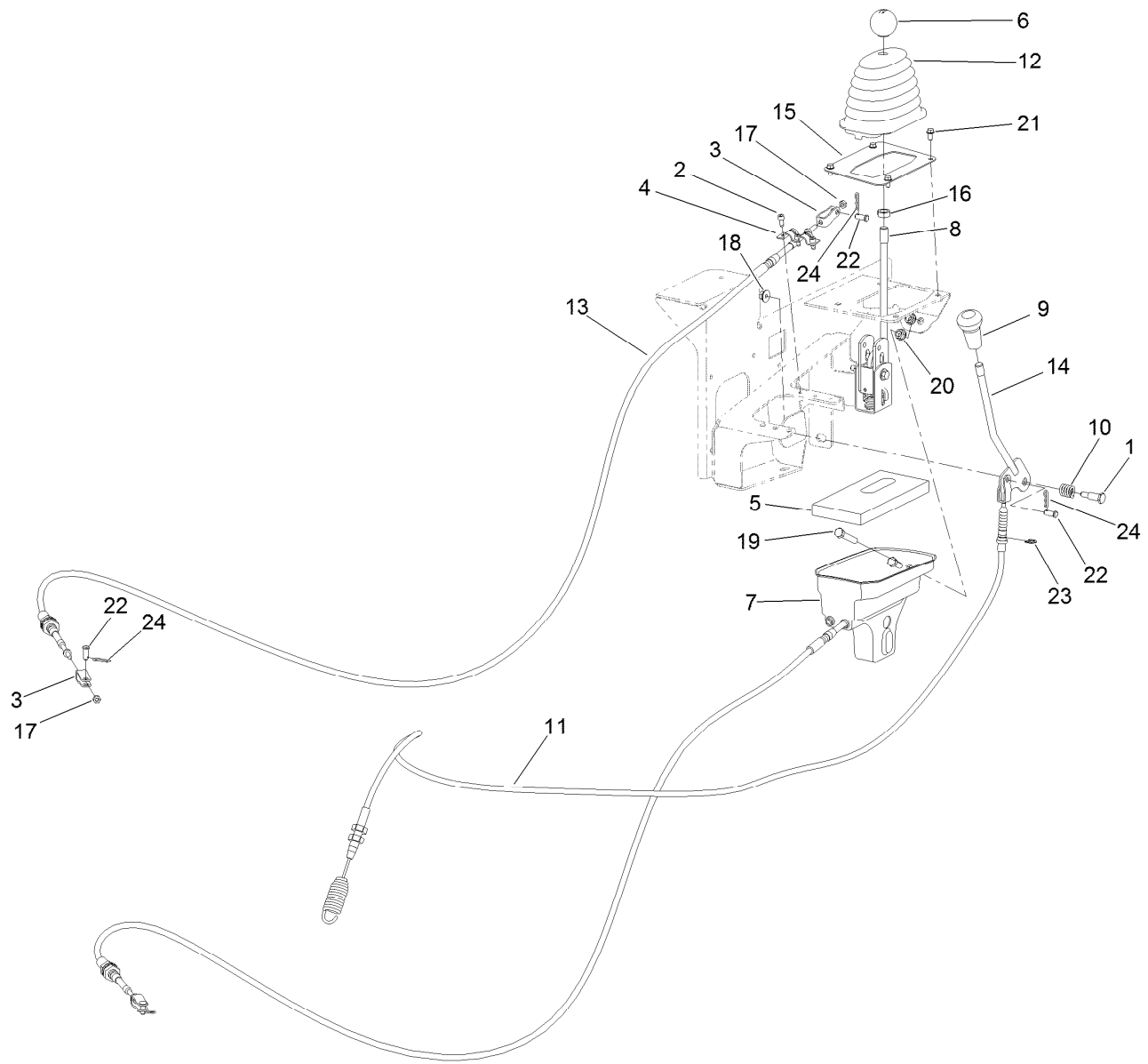
<i>Ref.</i>	<i>Part Number</i>	<i>Qty.</i>	<i>Description</i>	<i>Ref.</i>	<i>Part Number</i>	<i>Qty.</i>	<i>Description</i>
1	87-3480	1	Bracket-Equalizer, Cable	11	283-62	1	Pin-Clevis
2	94-3829	1	Pin-Clevis	12	321-9	2	Screw-HH
3	127-8863	1	Lever-Brake, Park	13	3230-23	2	Screw-CARR
3:1	127-8864	1	Grip-Handle	14	3234-1	1	Screw-HHF
4	104-8300	2	Nut-HF, NI	15	3256-23	1	Washer-Plain
5	104-8301	1	Nut-HF, NI	16	3290-307	2	Pin-Cotter
6	105-0023	1	Switch-Proximity	17	3290-477	1	Washer-Curved
7	106-7814	2	Bellcrank	18	3296-56	2	Nut-Lock, NI
8	125-0881	1	Cable-Parking Brake, LH	19	32104-60	2	Screw-HWH
9	125-0882	1	Cable-Parking Brake, RH	20	32120-47	2	Ring-Retaining, External
10	125-8031-03	1	Brake-Parking	21	114402	2	Spacer



Control Console Mount Assembly

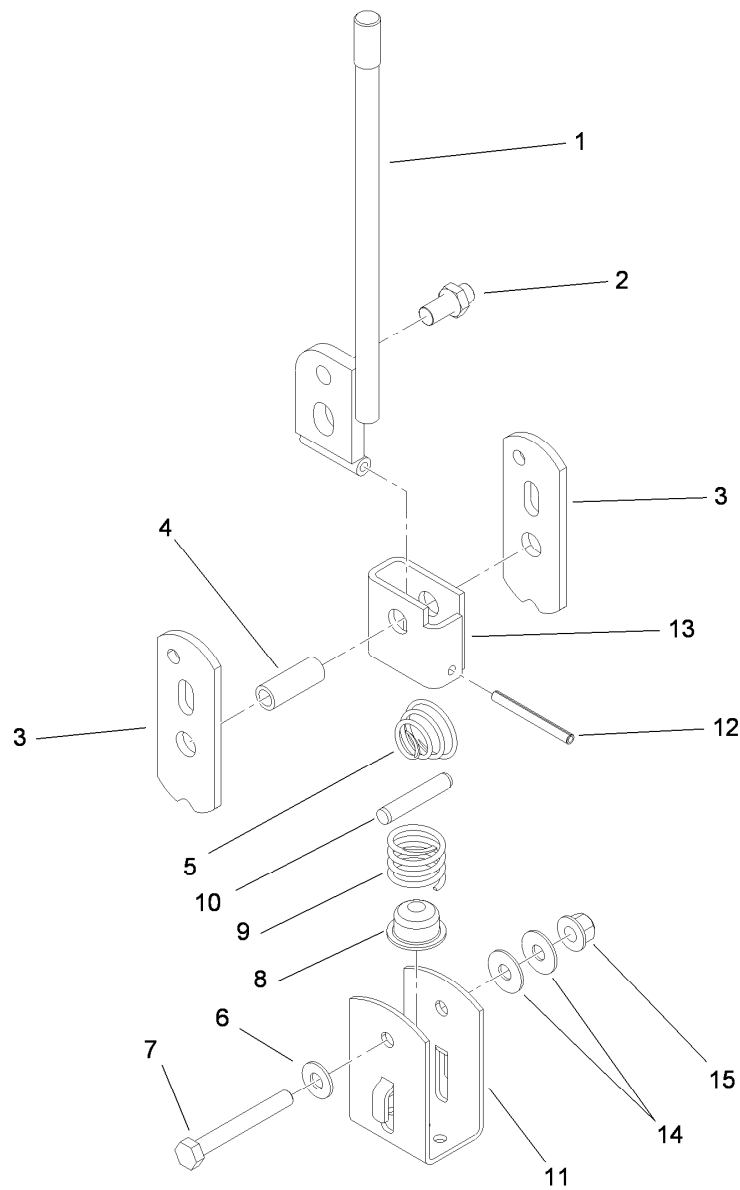
Ref.	Part Number	Qty.	Description	Ref.	Part Number	Qty.	Description
1	99-7420	2	Plug-Hole	7	120-0834	4	Screw-HSBH
2	104-7201	4	Nut-HF	8	125-0791	1	Console-Control, Spray
3	108-7602	1	Rest-Arm	9	125-4108-03	1	Console Mount ASM
4	110-2580	1	Switch-Key, Supervisor	10	125-4188-03	1	Mount-Shifter
4:1		1	Switch-Key ●	11	125-4191-03	1	Console Mount ASM
4:2	108-8660	1	Nut-Mounting	12	125-7996	1	Switch-Pb, Momentary
4:3	110-5221	1	Set-Key, Supervisor	13	125-8114	1	Decal-Control Panel
4:4	108-8659	1	Washer-Backup	14	104-8300	2	Nut-HF, NI
5	93-6083	4	Screw-HWH	15	104-8301	6	Nut-HF, NI
6	115-1900	1	Controller	16	3234-11	6	Screw-HHF

● Not serviced separately



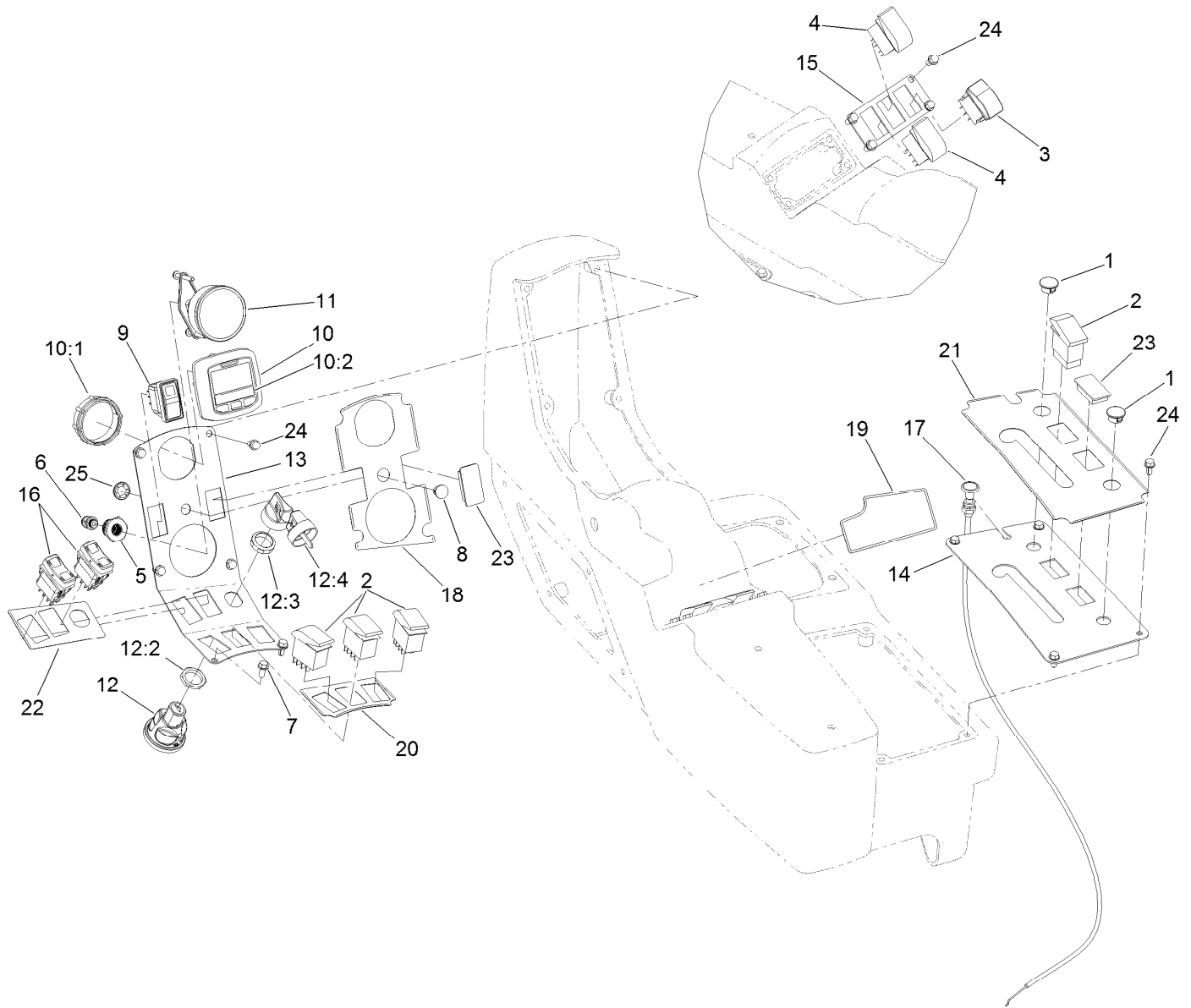
Gear Shift and Drift Lock Control Assembly

<i>Ref.</i>	<i>Part Number</i>	<i>Qty.</i>	<i>Description</i>	<i>Ref.</i>	<i>Part Number</i>	<i>Qty.</i>	<i>Description</i>
1	63-2650	1	Screw-Shoulder	13	125-0880	2	Cable-Shift
2	65-5220	3	Screw-HSH, Thread Forming	14	125-0894	1	Handle-Difflock
3	87-2310	4	Clevis-Cable	15	125-8030-03	1	Cover-Shifter
4	87-4960	1	Clamp-Cable	16	3218-18	1	Nut-Jam
5	87-6570	1	Seal-Boot, Lower	17	3220-1	4	Nut-Jam
6	87-6720	1	Knob-Shift	18	32128-13	1	Nut-HF
7	106-2376	1	Boot-Shift, Lower	19	323-10	2	Screw-HH
8	106-7887	1	Shift ASM	20	3290-357	2	Nut-HHF, Whiz
9	106-7952	1	Knob	21	93-6083	4	Screw-HWH
10	108-7313	1	Spring-Compression	22	283-62	5	Pin-Clevis
11	115-2287	1	Cable-Lock, Differential	23	32120-47	1	Ring-Retaining, External
12	117-8063	1	Boot-Shift	24	3290-307	5	Pin-Cotter



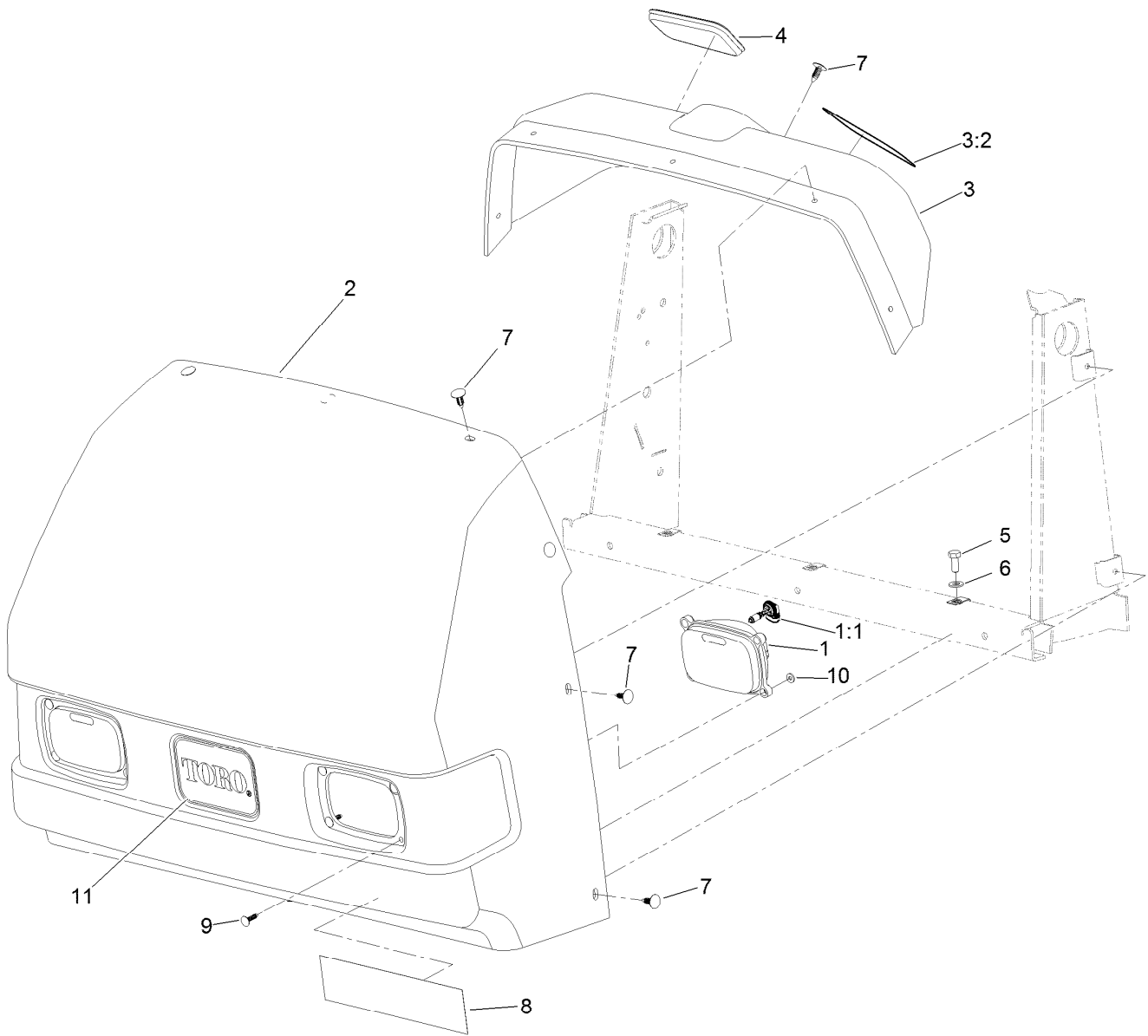
Shift Assembly No. 106-7887

<i>Ref.</i>	<i>Part Number</i>	<i>Qty.</i>	<i>Description</i>
1	131-3469	1	Lever-Shift
2	87-3650	1	Pin-Shift
3	87-3540	2	Link-Shift
4	87-2520	1	Tube-Pivot
5	87-2900	1	Spring-Compression
6	87-8640	1	Washer-Flat
7	322-12	1	Screw-HH
8	87-3530	1	Button-Shifter
9	87-3660	1	Spring-Compression
10	3290-507	1	Pin-Dowel
11	87-3520	1	Clevis
12	32121-48	1	Pin-Spring
13	87-6040	1	Bracket-Shifter
14	3290-456	2	Washer-Belleville
15	104-8300	1	Nut-HF, NI



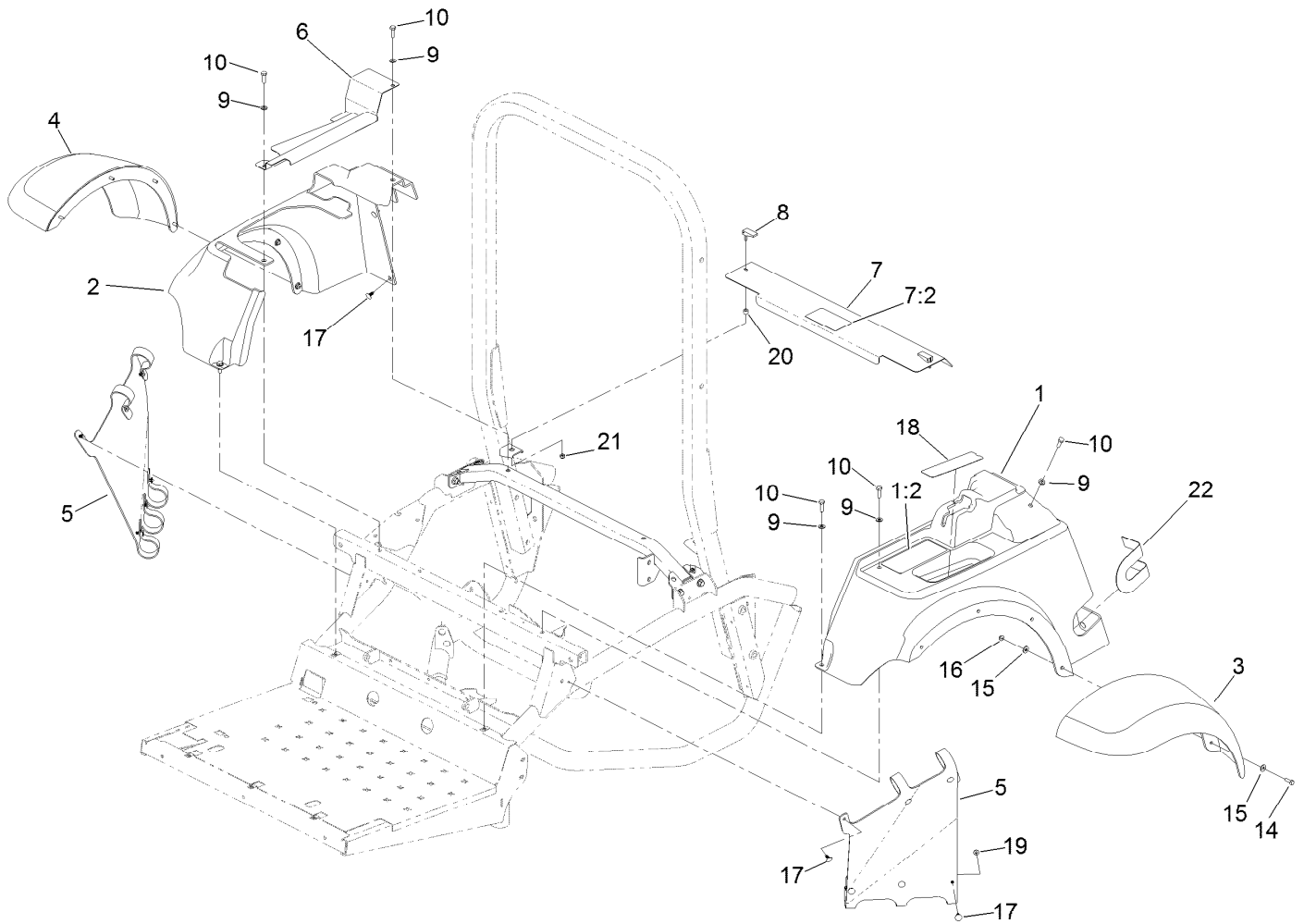
Control Console Assembly

Ref.	Part Number	Qty.	Description	Ref.	Part Number	Qty.	Description
1	94-5627	2	Plug	12:2	121-5160	1	Nut-Hex
2	95-8999	4	Switch	12:3	121-5161	1	Nut-Face
3	100-1535	1	Switch-Rocker, (On)-Off-(On)	12:4	121-5162	1	Set-Key, Ignition
4	100-8490	2	Switch-Rocker, On-None-On	13	127-9733-03	1	Panel-Switches
5	100-8665	1	Reducer-Gauge, Pressure	14	125-0896-03	1	Panel-Cover
6	100-8667	1	Coupler-Reducer	15	125-0898-03	1	Panel-Switches
7	46-8093	1	Screw-Plastite	16	125-0899	2	Switch-Rocker
8	119-5329	1	Plug-Hole	17	125-8047	1	Choke-Control
9	120-0695	1	Switch-Rocker, On-Off-(On)	18	125-4125	1	Decal-Control Panel, Upper
10	120-6310	1	LCD Display ASM	19	130-8293	1	Decal-Control Panel, Rear
10:1	120-4630	1	Nut-Display	20	125-4129	1	Decal-Control Panel, Spray
10:2	120-6311	1	Decal-Display	21	125-8113	1	Decal-Control Panel
11	120-8546	1	Gauge-Pressure	22	125-4128	1	Decal-Switch Panel, Center
12	121-5159	1	Ignition Switch ASM	23	99-7420	2	Plug-Hole
				24	93-6083	13	Screw-HWH
				25	1-323142	1	Nut-Push



Hood, Dash and Headlight Assembly

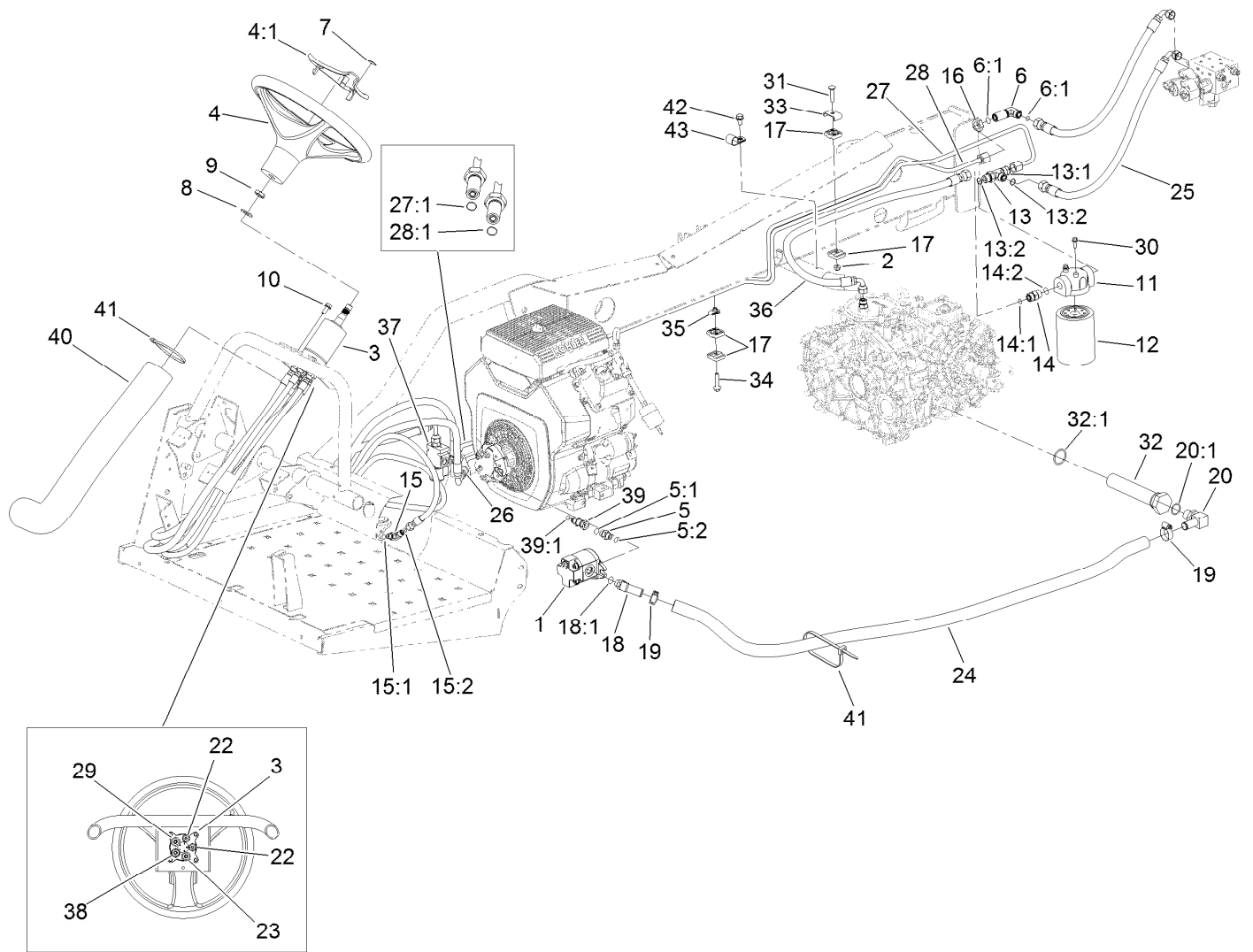
<i>Ref.</i>	<i>Part Number</i>	<i>Qty.</i>	<i>Description</i>
1	125-0672	2	Headlight ASM
1:1	125-0673	1	Halogen-Bulb
2	125-0801	1	Hood
3	125-0939	1	Dash
3:2	127-3941	1	Decal-Warning
4	125-8059	1	Cover- Reservoir, Brake
5	322-3	3	Screw-HH
6	3256-23	3	Washer-Plain
7	117-2382	10	Plug-Plastic
8	127-3944	1	Decal
9	125-8067	8	Plug-Plastic
10	3256-21	8	Washer-Flat
11	67-1300	1	Decal



Seat Base and Front Fender Assembly

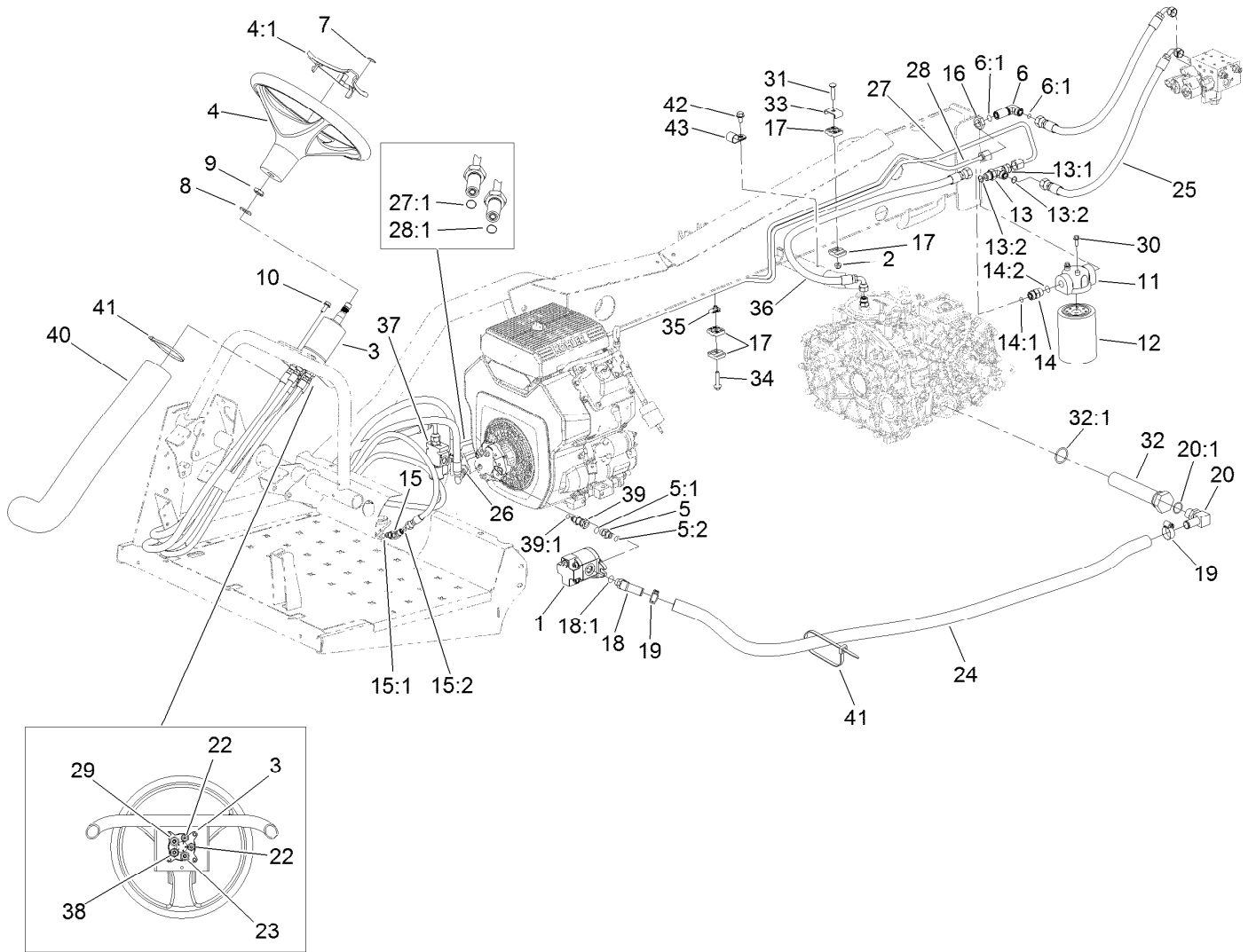
Ref.	Part Number	Qty.	Description
1	127-3980	1	LH Seatbase ASM
1:2	127-3935	1	Decal-Start-Up/Shut-Down
2	125-0803	1	Seatbase-RH
3	125-0902	1	Fender-LH
4	125-0903	1	Fender-RH
5	125-0935	2	Shroud-Fender, Inner
6	125-8088-01	1	Cover-Console, Bottom
7	127-3979	1	Cover-Engine
7:2	127-3937	1	Decal-Warning, Engine Cover
8	106-6777	2	Handle-Latch, Swell

Ref.	Part Number	Qty.	Description
9	3256-23	7	Washer-Plain
10	322-5	7	Screw-HH
14	321-5	8	Screw-HH
15	3256-2	16	Washer-Flat
16	104-7201	8	Nut-HF
17	117-2382	16	Plug-Plastic
18	125-8093	1	Pad-Pocket
19	3256-16	10	Washer-Flat
20	106-6778	2	Bushing-Latch, Swell
21	1-804254	2	Nut-Lock, HH
22	131-5822	1	Guard-Rubber



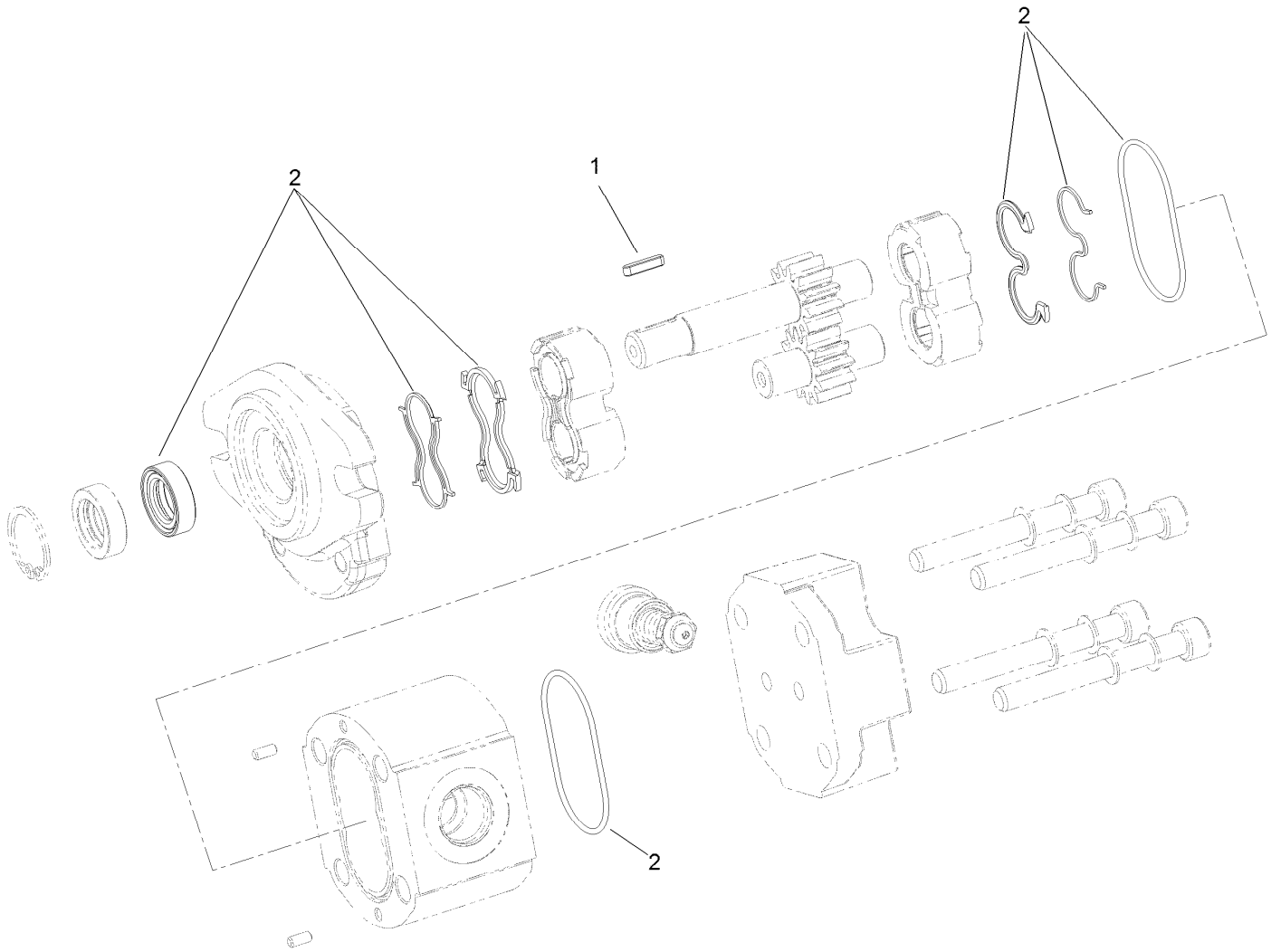
Hydraulic Steering Assembly

Ref.	Part Number	Qty.	Description	Ref.	Part Number	Qty.	Description
1	121-6545	1	HYD Pump ASM	14:2	237-79	1	O-Ring
2	104-8300	2	Nut-HF, NI	15	340-132	2	Fitting-Elbow, 90 DEG
3	117-0707	1	Steering Valve ASM	15:1	237-78	1	O-Ring
4	98-1471	1	Wheel-Steering	15:2	237-21	1	O-Ring
4:1	98-1468	1	Cover-Wheel, Steering	16	340-127	1	Nut-Bulkhead
5	340-2	3	Fitting-Straight	17	56-7973	6	Clamp-Tube
5:1	237-22	1	O-Ring	18	93-6848	1	Fitting-Elbow 45
5:2	237-42	1	O-Ring	18:1	237-79	1	O-Ring
6	93-9151	1	Fitting-HYD	19	2412-129	2	Clamp-Hose
6:1	237-30	2	O-Ring	20	353-987	1	Fitting-Elbow, 90
7	98-1459	1	Decal	20:1	237-81	1	O-Ring
8	3256-27	1	Washer-Flat	22	108-5675	2	Hydraulic Hose ASM
9	3296-33	1	Nut-Lock, NI	23	127-3987	1	Hose ASM
10	33104-020	4	Screw-HHF	24	125-0952	1	Hose-Suction
11	87-8780	1	Head-Filter	25	125-0949	2	Hydraulic Hose ASM
12	54-0110	1	Filter-Oil, Transmission	26	340-70	2	Nut-Lock
13	340-109	1	Fitting-Tee	27	125-4058	1	Hydraulic Tube ASM
13:1	237-79	1	O-Ring	27:1	237-22	1	O-Ring
13:2	237-30	2	O-Ring	28	125-4059	1	Hydraulic Tube ASM
14	340-4	1	Fitting-Straight	28:1	237-22	1	O-Ring
14:1	237-30	1	O-Ring	29	114-7702	1	Hose-HYD



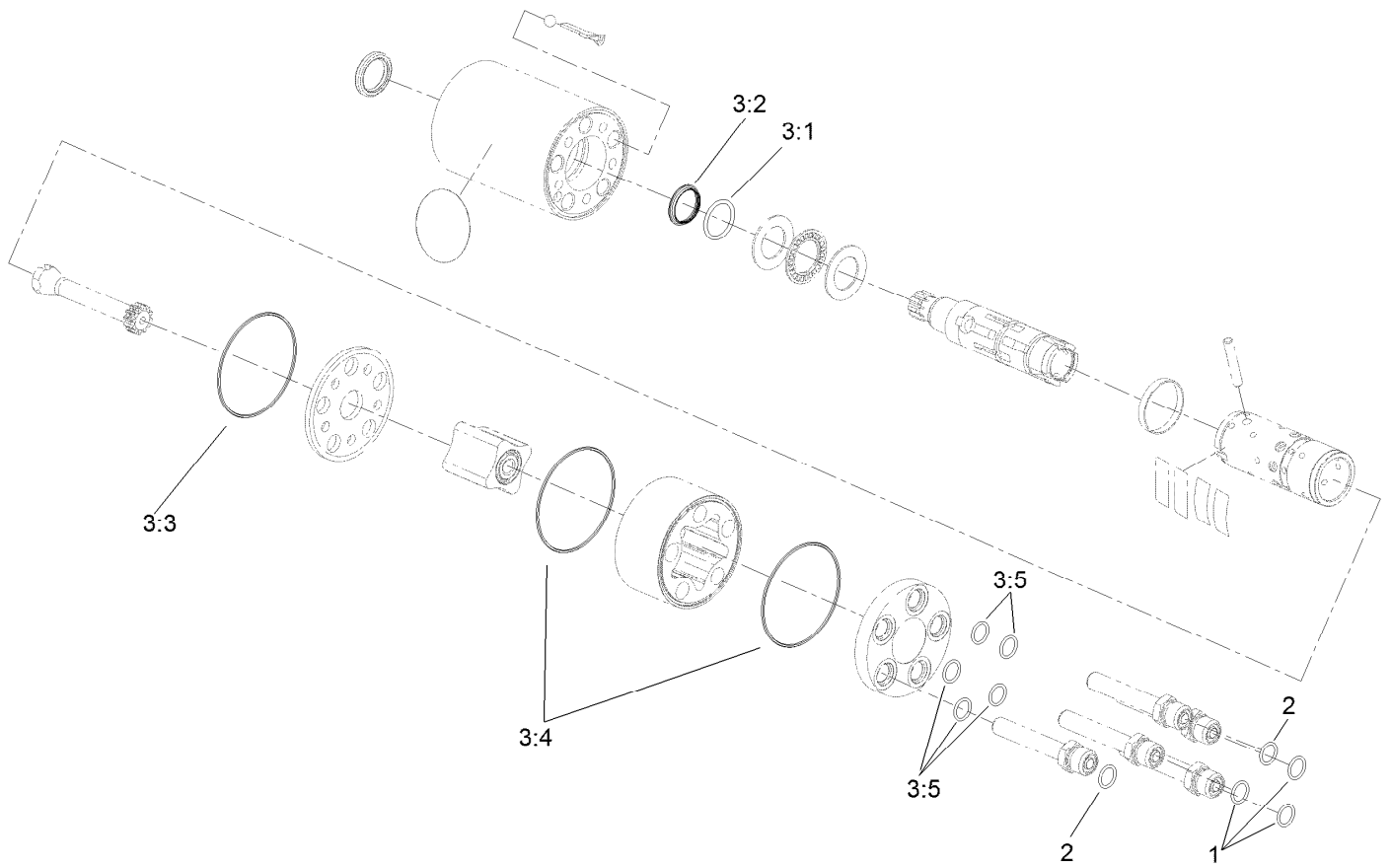
Hydraulic Steering Assembly (continued)

Ref.	Part Number	Qty.	Description	Ref.	Part Number	Qty.	Description
30	3234-4	2	Screw-HHF	37	127-3965	1	Solenoid Valve ASM
31	3230-3	2	Screw-CARR	38	120-2061	1	Hose-HYD
32	87-3990	1	Strainer-Transaxle	39	104-3779	1	Connector-Swivel, Straight
32:1	237-123	1	O-Ring	39:1	237-42	1	O-Ring
33	119-1418	2	Plate-Clamp, Short	40	106-6713	1	Cover-Lines, Steering
34	115-1794	1	Screw-HHF	41	3290-379	4	Tie-Cable
35	94-2413	1	Nut-U	42	32144-15	1	Screw-HHFTF
36	94-5961	1	Hose	43	2412-81	1	Clamp-R



Hydraulic Pump Assembly No. 121-6545

<i>Ref.</i>	<i>Part Number</i>	<i>Qty.</i>	<i>Description</i>
1	125-8147	1	Key, Square
2	125-8148	1	Seal Kit

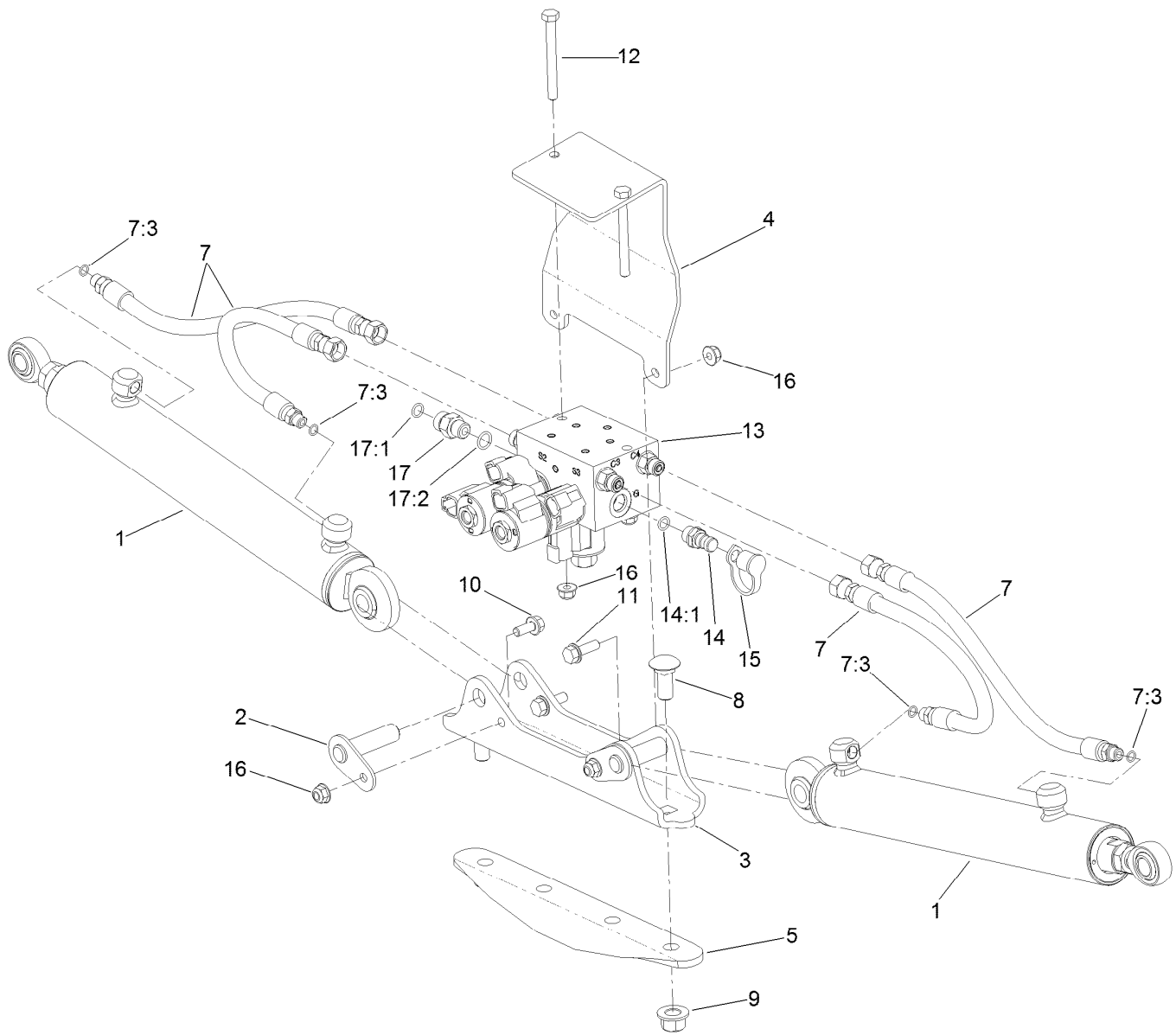


Steer Valve Assembly No. 117-0707

Ref.	Part Number	Qty.	Description
1	237-21	3	O-Ring ●
2	237-22	2	O-Ring ■
3	106-6716	1	Seal Kit ●
3:1		1	Ring-Seal, Dust ■
3:2		1	Seal-Shaft ■
3:3		1	O-Ring ■
3:4		2	O-Ring ■
3:5		5	O-Ring ■

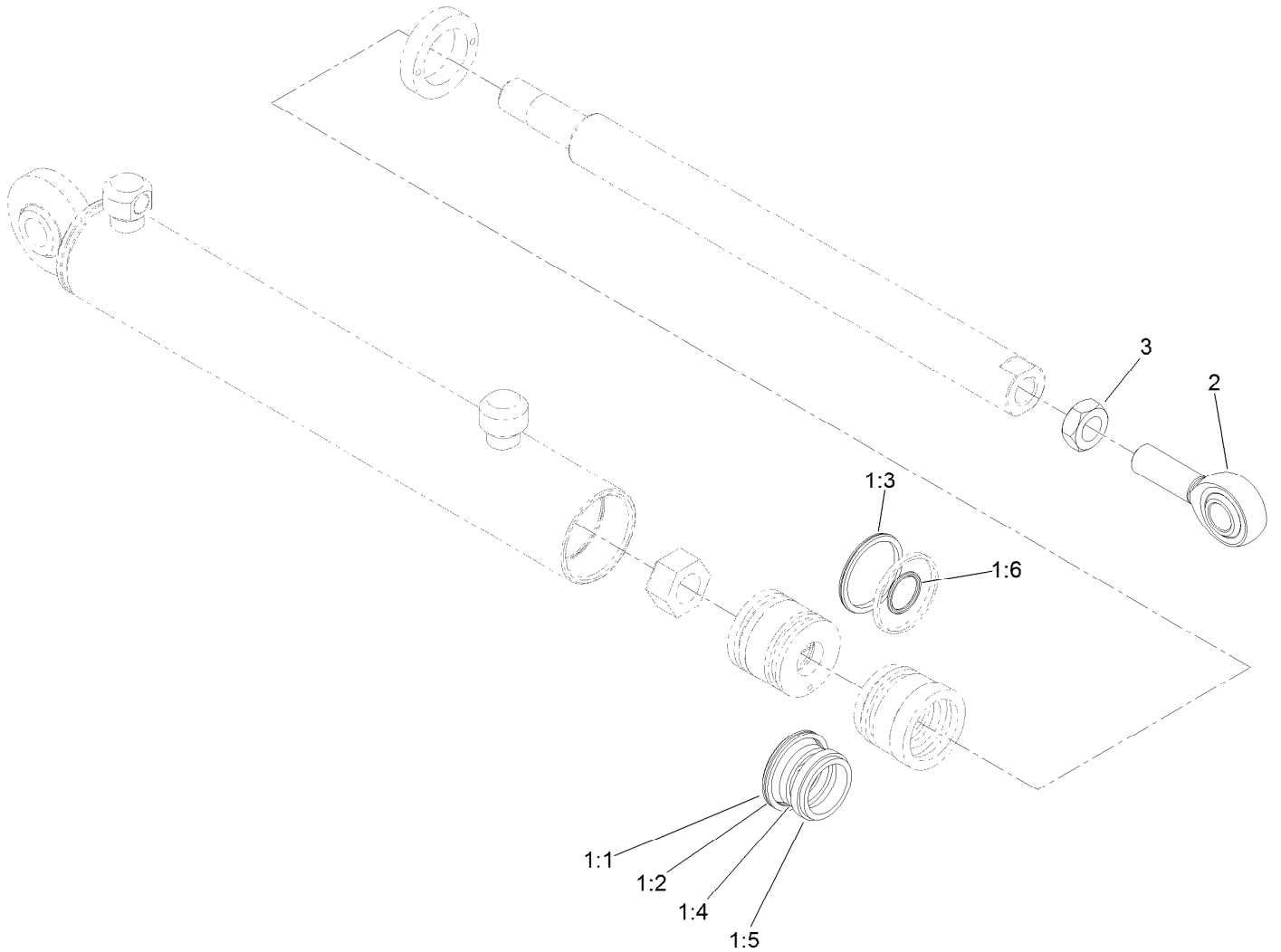
● Not illustrated

■ Not serviced separately



Boom Lift Hydraulic Assembly

<i>Ref.</i>	<i>Part Number</i>	<i>Qty.</i>	<i>Description</i>	<i>Ref.</i>	<i>Part Number</i>	<i>Qty.</i>	<i>Description</i>
1	117-0701	2	Hydraulic Cylinder ASM	11	3234-29	2	Screw-HHF
2	112-7884	2	Pin-Pivot	12	322-14	2	Screw-HH
3	119-4856-03	1	Plate-Mount, Cylinders	13	117-0702	1	On-Off Boom Lift Valve ASM
4	130-8201-03	1	Mount-Valve	14	59-7410	1	Fitting-Diagnostic
5	131-0297-03	1	Plate-Stiffener, Boom	14:1	237-42	1	O-Ring
7	119-4859	4	Hose ASM	15	354-79	1	Cap-Dust
7:3	237-78	1	O-Ring	16	104-8300	6	Nut-HF, NI
8	110-5067	2	Screw-CARR	17	340-2	2	Fitting-Straight
9	99-5107	2	Nut-Lock	17:1	237-22	1	O-Ring
10	110-5053	2	Screw-HHF	17:2	237-42	1	O-Ring

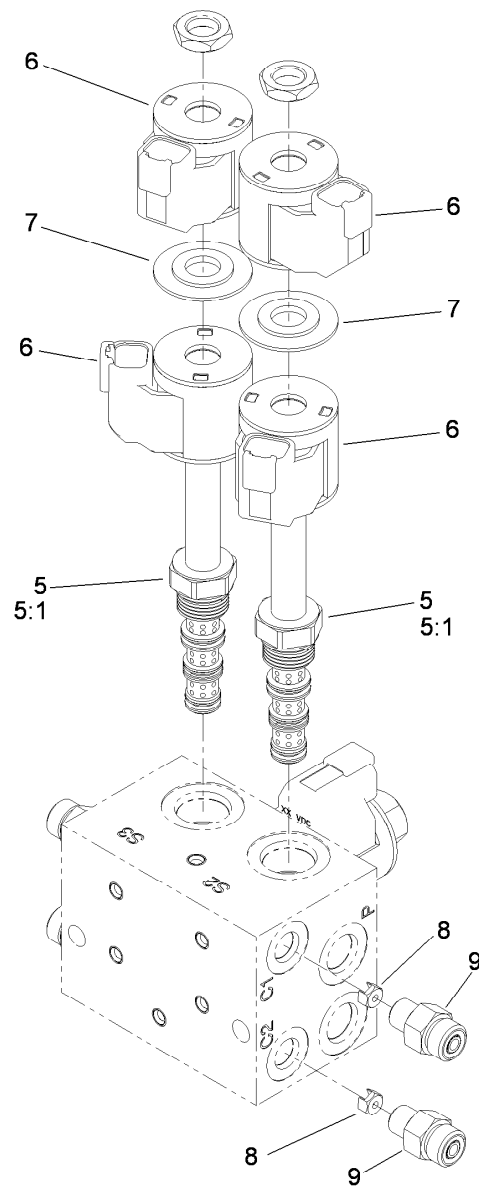
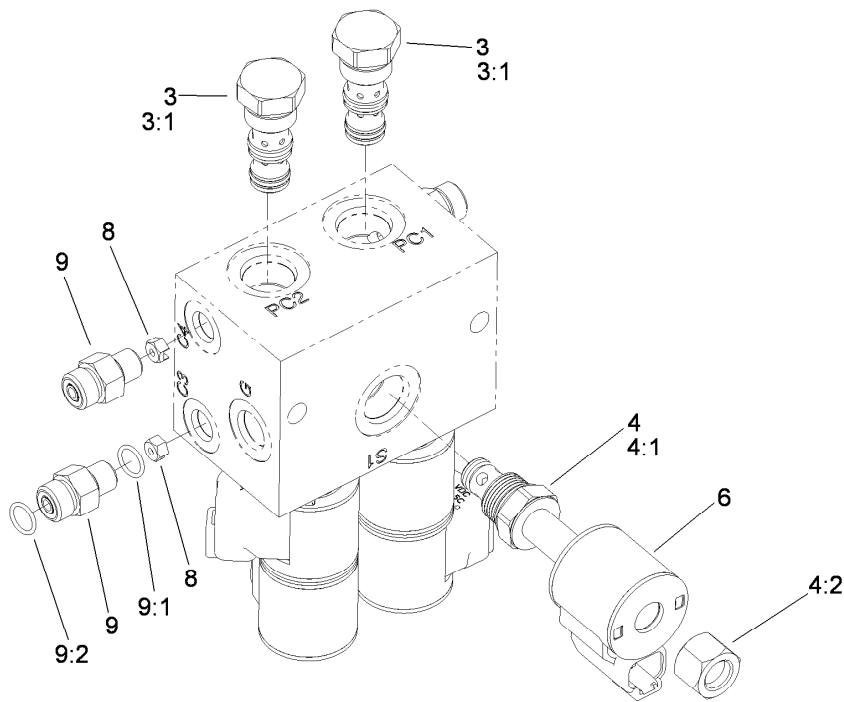


Hydraulic Cylinder Assembly No. 117-0701

Ref.	Part Number	Qty.	Description
1	119-8026	1	Seal Kit ●
1:1		1	O-Ring ■
1:2		1	Ring-Backup ■
1:3		1	Bp Seal ■
1:4		1	Bs Seal ■
1:5		1	Dust Seal ■
1:6		1	O-Ring ■
2	119-8027	1	Rod End
3	3220-6	1	Nut-Jam

● Not illustrated

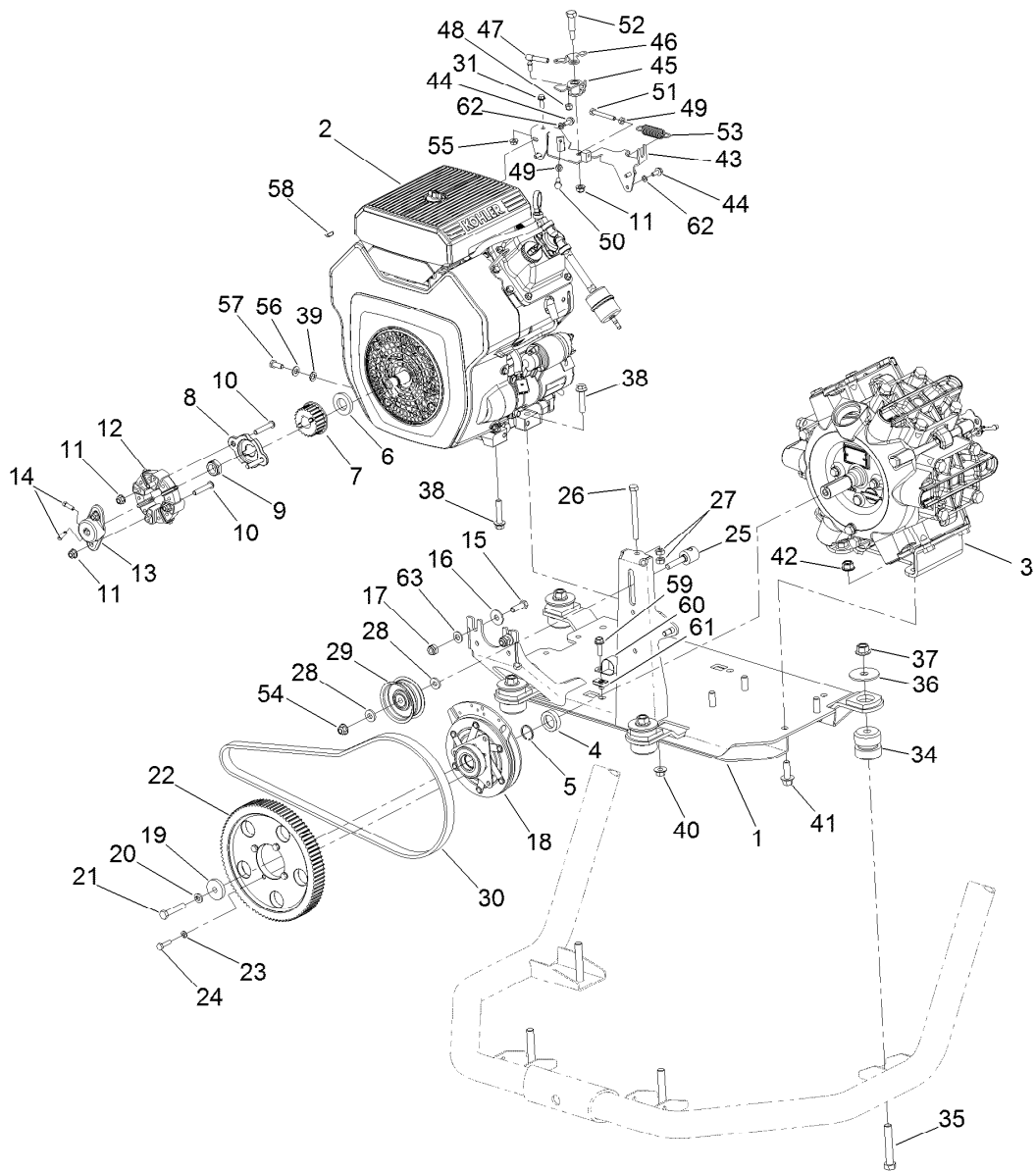
■ Not serviced separately



On-Off Boom Lift Valve No. 117-0702

Ref.	Part Number	Qty.	Description
3	120-2588	2	Valve-Check
3:1	120-0886	1	Seal Kit ●
4	107-7517	1	Valve-Solenoid
4:1	105-9156	1	Seal Kit
4:2	107-7812	1	Nut-Solenoid
5	120-2587	2	Valve-Solenoid
5:1	112-6520	1	Seal Kit ●
6	119-8036	5	Coil
7	120-2586	2	Spacer-Coil
8	120-2585	4	Orifice, .035
9	340-92	4	Fitting-Straight
9:1	237-78	1	O-Ring
9:2	237-21	1	O-Ring

● Not illustrated



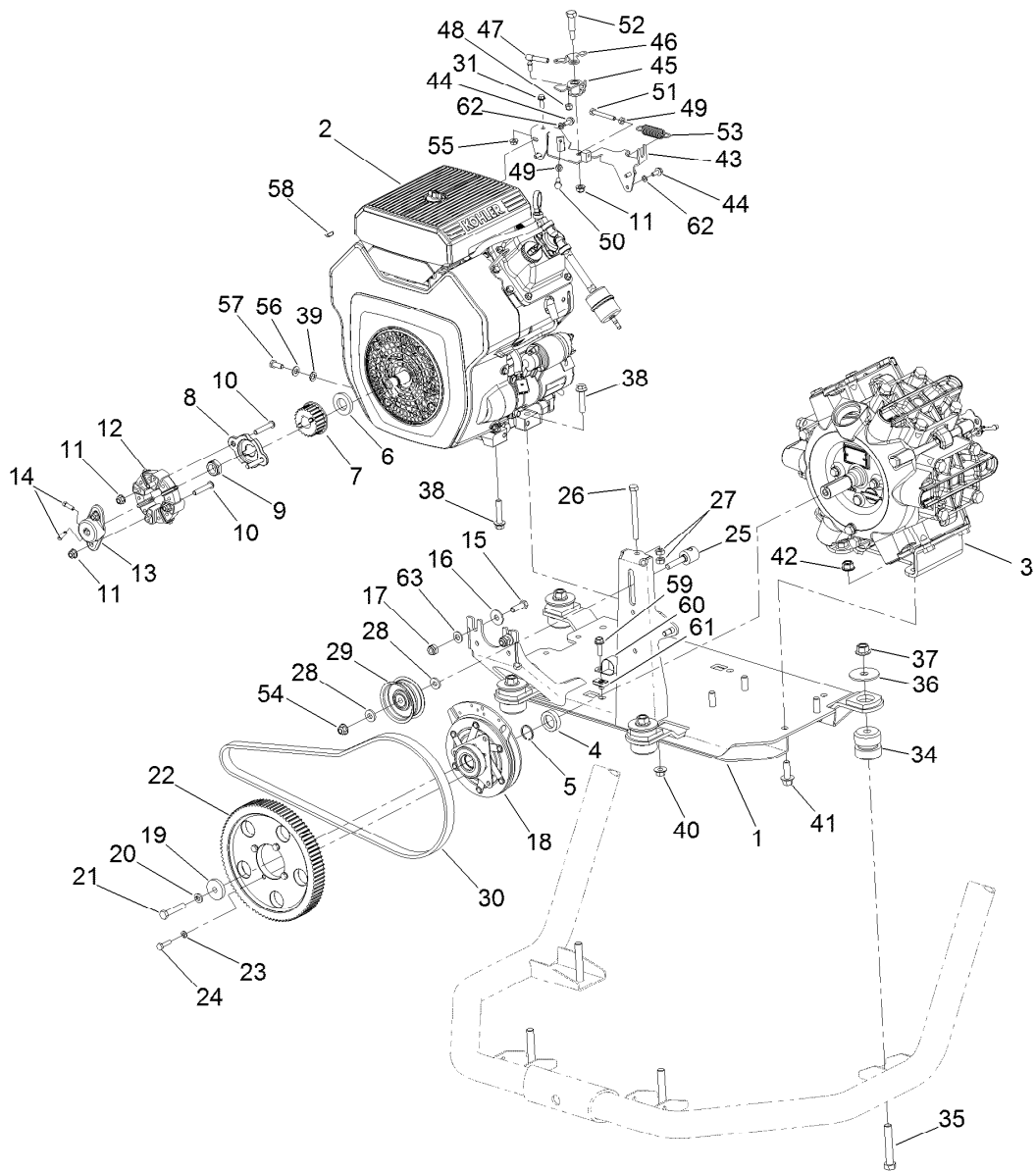
Engine Mounting Assembly

Ref.	Part Number	Qty.	Description	Ref.	Part Number	Qty.	Description
1	121-6511-03	1	Mount-Engine	17	3296-44	2	Nut-Lock, NI
2		1	Engine-Kohler, Psch740-3213 ■▲	18	120-7625	1	Clutch-Electric
2:1	108-3847	1	Filter-Oil ●	19	125-0604	1	Spacer-Clutch
3	120-8630	1	Pump	20	3253-5	1	Washer-Lock
4	108-3301	1	Retainer-Spacer	21	3211-46	1	Screw-HH
5	108-3302	1	Ring-Snap	22	125-7982	1	Sprocket-90 Tooth
6	104-1105	1	Spacer-Support, Deck	23	3253-3	4	Washer-Lock
7	125-8017	1	Sprocket-22 Tooth	24	321-6	4	Screw-HH
8	125-4092	1	Adaptor-Sprocket, Flanged	25	125-0605	1	Shaft-Idler
9	3296-15	1	Nut-Lock, NI	26	107-4026	1	Screw-HH
10	125-7977	4	Screw-HSBH	27	3217-7	2	Nut-Hex
11	104-8300	5	Nut-HF, NI	28	43-0940	2	Spacer
12	119-0652	1	Coupler-Rubber	29	1-633167	1	Sheave-Idler
13	115-2169	1	Hub-Pump	30	125-0765	1	Belt-Synchronous
14	3241-6	2	Screw-SQH	31	115-5103	1	Screw-HHF
15	323-18	2	Screw-HH	34	106-7865	4	Mount-Engine
16	52-2861	2	Washer	35	325-12	4	Screw-HH
				36	41985	4	Washer-Special

● Not illustrated

▲ Obtain parts from www.kohlerplus.com

■ Not serviced separately

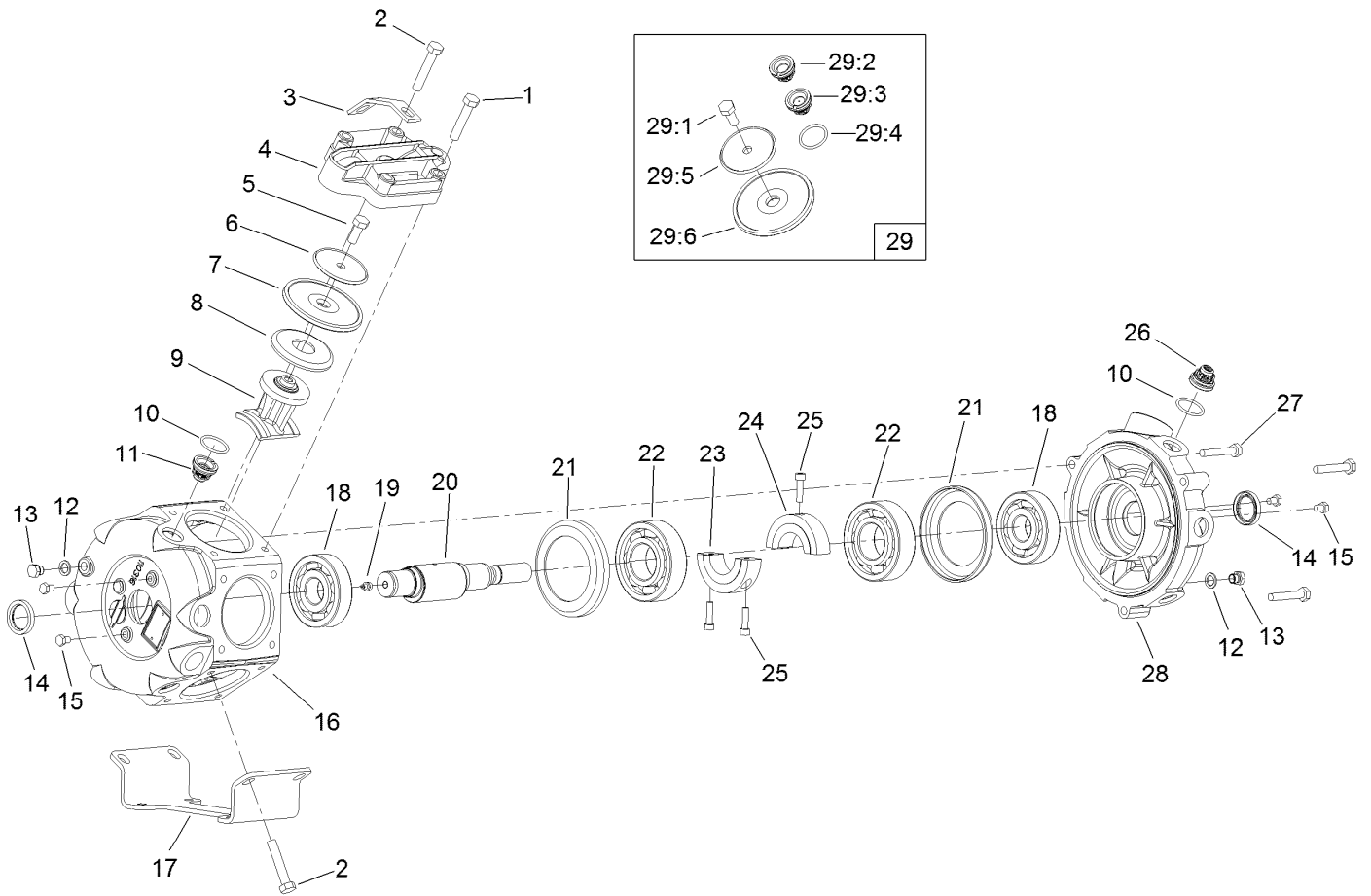


Engine Mounting Assembly (continued)

Ref.	Part Number	Qty.	Description	Ref.	Part Number	Qty.	Description
37	99-5107	4	Nut-Lock	51	108-3660	1	Screw-TAP
38	3234-19	4	Screw-HHF	52	7-0030	1	Screw-Shoulder, HH
39	3255-9	1	Washer-Lock	53	67-1450	1	Spring-Idler
40	32128-43	4	Nut-Flange	54	104-8301	1	Nut-HF, NI
41	3234-15	4	Screw-HHF	55	32128-33	1	Nut-HF
42	114-8417	4	Nut-HF, NI	56	3256-23	1	Washer-Plain
43	87-7780-03	1	Bracket-Throttle	57	33114-020	1	Screw-HH
44	33103-016	4	Screw-HHF	58	3257-5	1	Key-Woodruff
45	87-7800	1	Lever-Throttle	59	3234-17	1	Screw-HHF
46	87-7790	1	Lever-Choke	60	2412-126	1	R-Clamp
47	18-1720	1	Ball Joint	61	115-7721	1	Nut-Clip, U
48	3296-3	1	Nut-Lock	62	48-8020	4	Washer-Spring
49	3220-1	2	Nut-Jam	63	3256-24	2	Washer-Flat
50	329-6	1	Screw-HH				

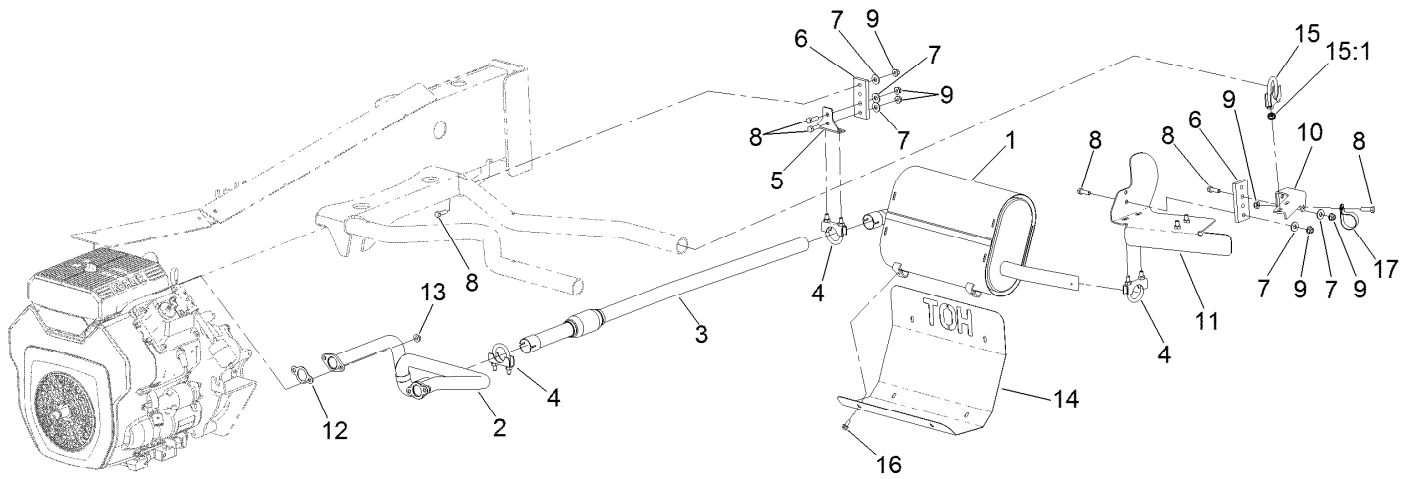
● Not illustrated
 ▲ Obtain parts from www.kohlerplus.com

■ Not serviced separately



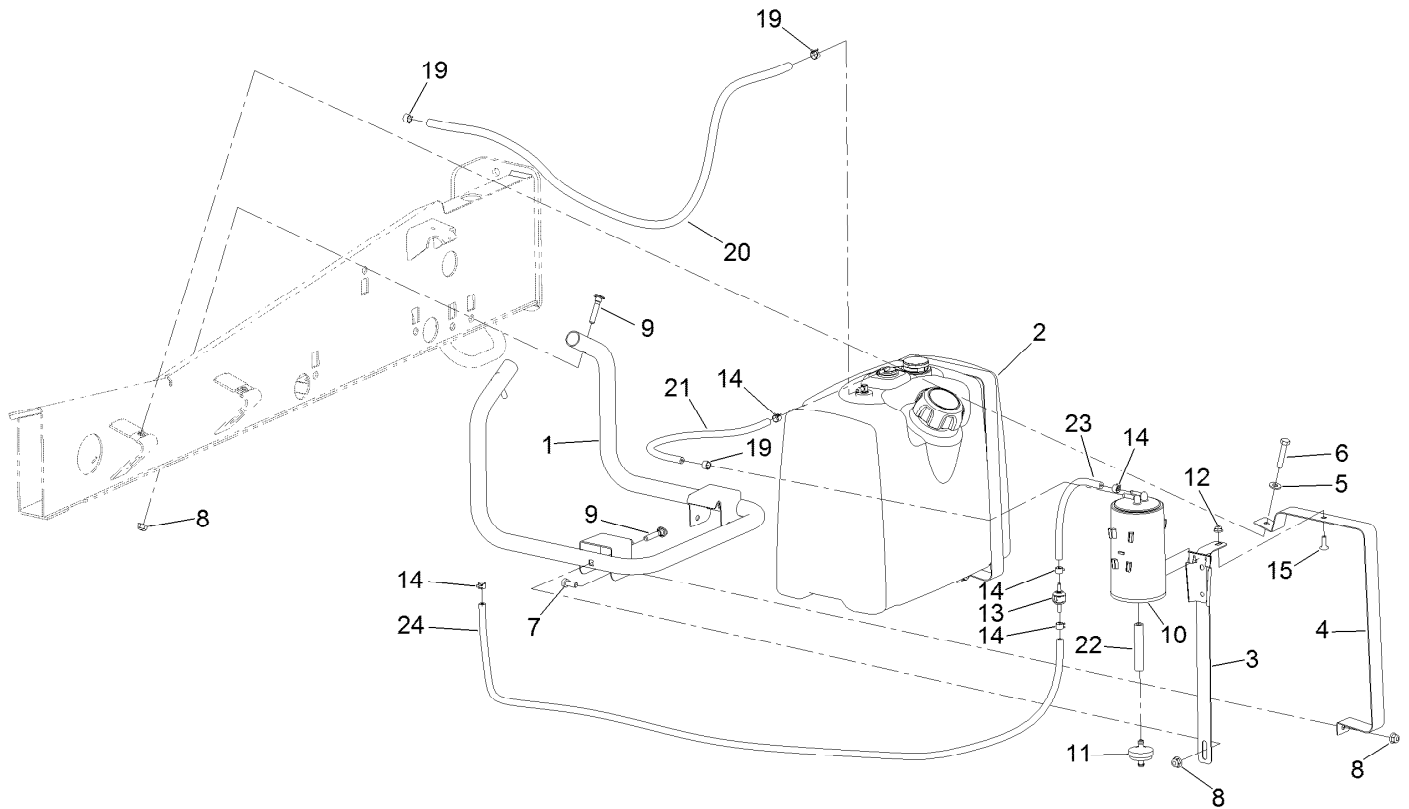
Pump Assembly No. 120-8630

<i>Ref.</i>	<i>Part Number</i>	<i>Qty.</i>	<i>Description</i>	<i>Ref.</i>	<i>Part Number</i>	<i>Qty.</i>	<i>Description</i>
1	120-0773	18	Bolt-Hex	19	99-0873	1	Fitting-Grease
2	120-0774	6	Bolt-Hex	20	125-8143	1	Shaft-Crank
3	125-8140	1	Bracket-Pump	21	120-0790	2	Spacer-Metal
4	120-0776	6	Cover-Valve	22	120-0791	2	Bearing-Ball
5	120-0777	6	Bolt-Hex	23	125-8144	1	Counterbalance
6	120-0778	6	Disc-Diaphragm	24	125-8145	1	Counterbalance
7	120-0779	6	Diaphragm	25	125-8146	3	Bolt-Allen
8	120-0780	6	Disc-Backing, Diaphragm	26	120-0793	2	Valve W/Hole
9	125-8141	6	Rod-Connectiing	27	120-0794	3	Bolt-Hex
10	100-6651	12	O-Ring	28	120-0795	1	Casting-Pump
11	99-0861	10	Valve-Pump	29	120-0796	1	Pump Kit
12	120-0786	2	Seal	29:1	120-0777	6	Bolt-Hex
13	120-0785	2	Plug	29:2	99-0861	10	Valve-Pump
14	120-0783	2	Seal-Oil	29:3	120-0793	2	Valve W/Hole
15	120-0784	4	Bolt-Hex	29:4	100-6651	12	O-Ring
16	125-8142	1	Housing-Pump	29:5	120-0778	6	Disc-Diaphragm
17	120-0787	1	Foot-Pump	29:6	120-0779	6	Diaphragm
18	120-0788	2	Bearing-Ball				



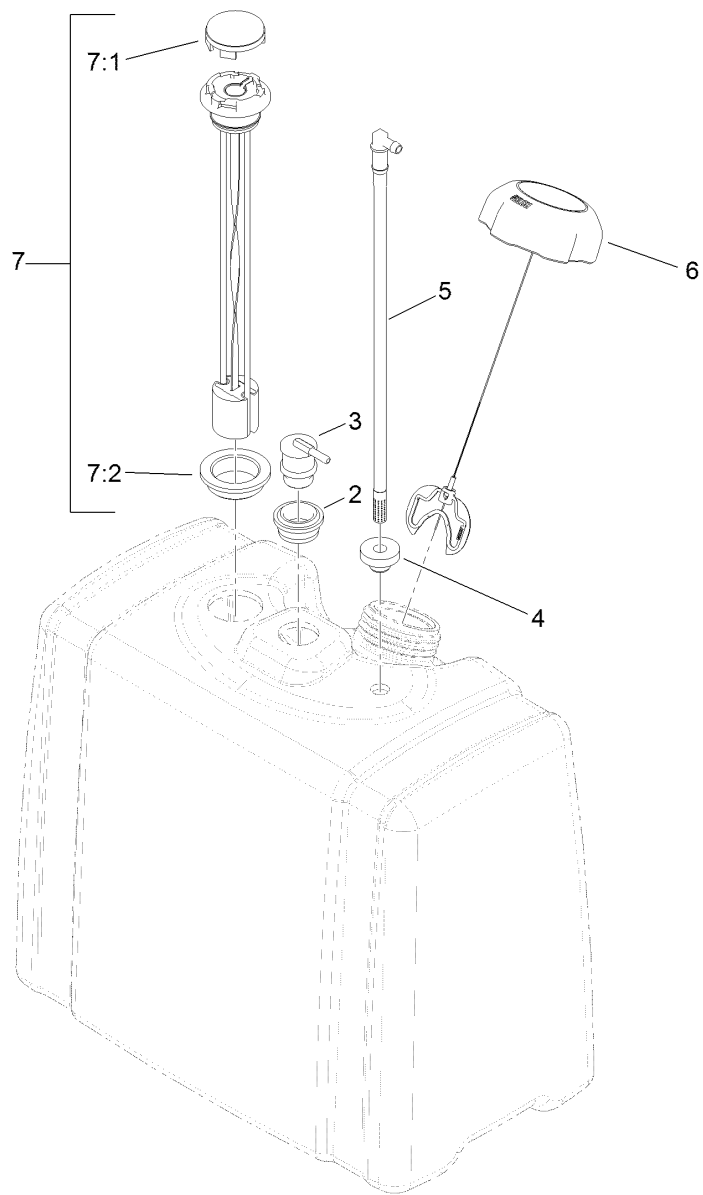
Exhaust Assembly

<i>Ref.</i>	<i>Part Number</i>	<i>Qty.</i>	<i>Description</i>	<i>Ref.</i>	<i>Part Number</i>	<i>Qty.</i>	<i>Description</i>
1	127-9736	1	Muffler-Venturi	10	131-3286-03	1	Mount-Muffler
2	127-9734	1	Manifold-Exhaust	11	130-7143	1	Shield-Muffler
3	127-9735	1	Pipe-Exhaust	12	110-6697	2	Gasket-Exhaust
4	2112-11	4	Clamp-Muffler	13	92-6780	4	Nut-HF
5	130-7101	1	Bracket-Hanger, Tailpipe	14	127-9787	1	Shield-Heat, Muffler
6	117-0744	2	Hanger-Muffler	15	2112-9	1	Clamp
7	3256-3	7	Washer-Flat	15:1	32128-20	2	Nut-HF
8	322-5	8	Screw-HH	16	3234-17	6	Screw-HHF
9	104-8300	8	Nut-HF, NI	17	2412-74	1	R-Clamp



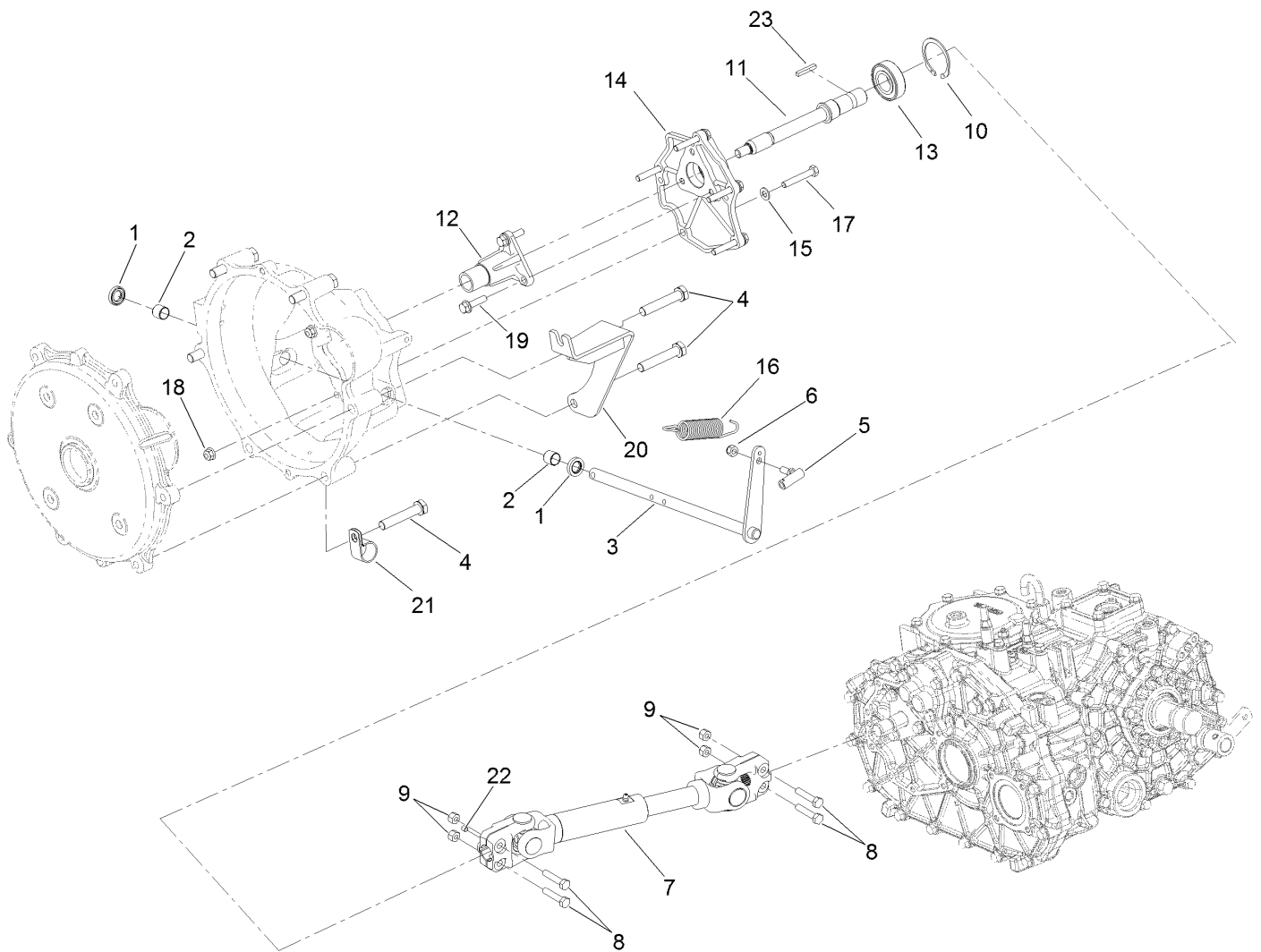
Fuel Tank, filter and line Assembly

<i>Ref.</i>	<i>Part Number</i>	<i>Qty.</i>	<i>Description</i>	<i>Ref.</i>	<i>Part Number</i>	<i>Qty.</i>	<i>Description</i>
1	125-0850-03	1	Tube-Mount, Fuel Tank	12	104-7201	1	Nut-HF
2	115-9048	1	Fuel Tank ASM	13	115-7868	1	Valve-Check, Vacuum
3	125-8129-03	1	Strap-Cannister, Carbon	14	2412-80	5	Clamp-Hose
4	125-0853	2	Strap-Fuel Tank	15	1-807512	1	Bolt-CARR
5	33094-00	2	Washer-Plain	19	2412-98	3	Clamp-Hose
6	322-41	2	Screw-HH	20	109-0286	1	Hose-Fuel
7	322-3	2	Screw-HH	21	112-7048	1	Hose-Fuel
8	104-8300	5	Nut-HF, NI	22	110-0047	1	Hose-Fuel
9	17-9420	3	Screw-Handle	23	115-7871	1	Hose-Fuel
10	127-8685	1	Canister-Carbon	24	119-6073	1	Hose-Fuel
11	115-7854	1	Filter-Fuel, Inline				



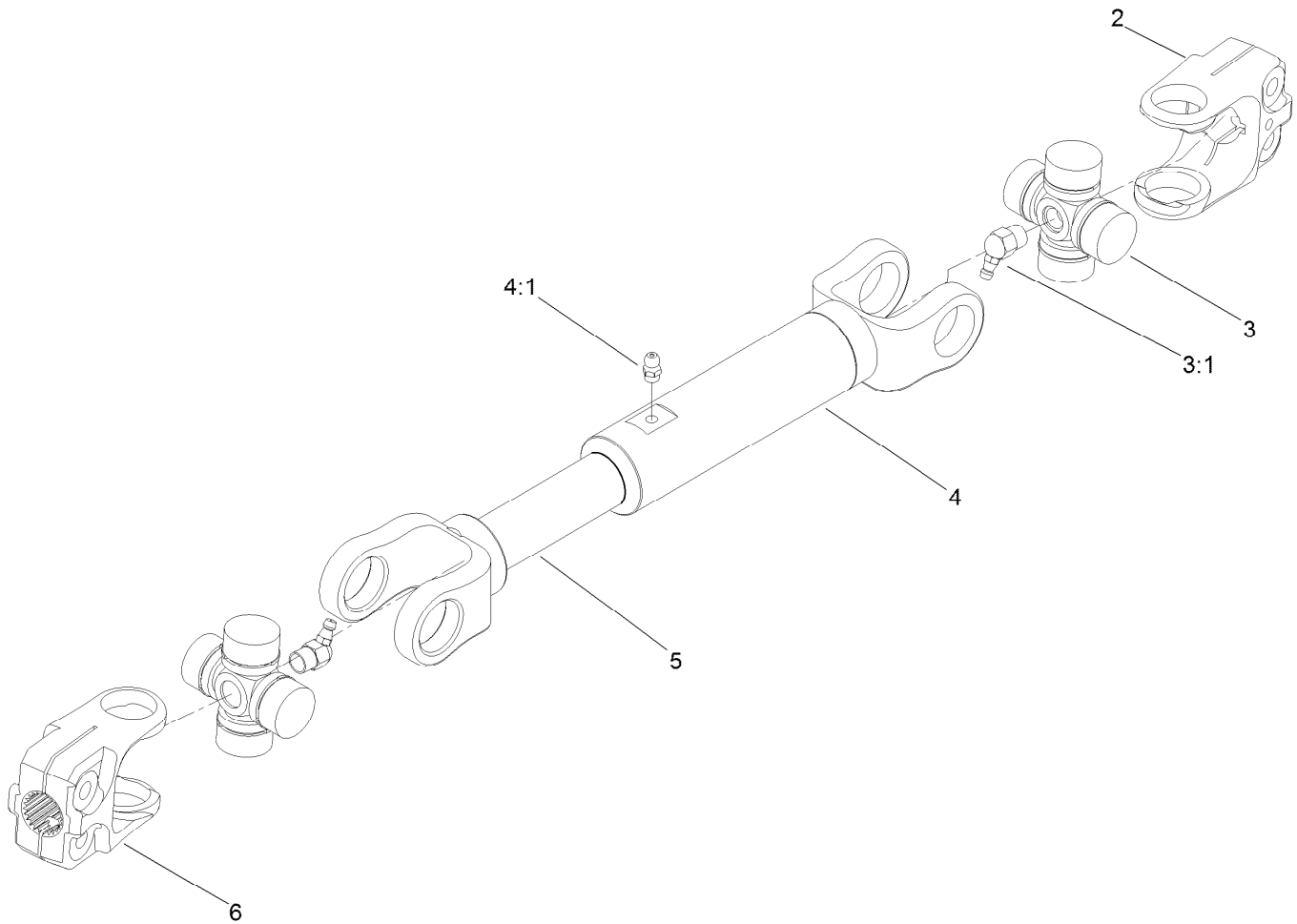
Fuel Tank Assembly No. 115-9048

<i>Ref.</i>	<i>Part Number</i>	<i>Qty.</i>	<i>Description</i>
2	114-0284	1	Grommet
3	114-0285	1	Valve-Rollover
4	46-6560	1	Bushing
5	115-9044	1	Pipe-Stand
6	115-7788	1	Cap-Fuel
7	119-0509	1	Gauge ASM
7:1	117-8404	1	Dial-Gauge
7:2	119-0508	1	Seal



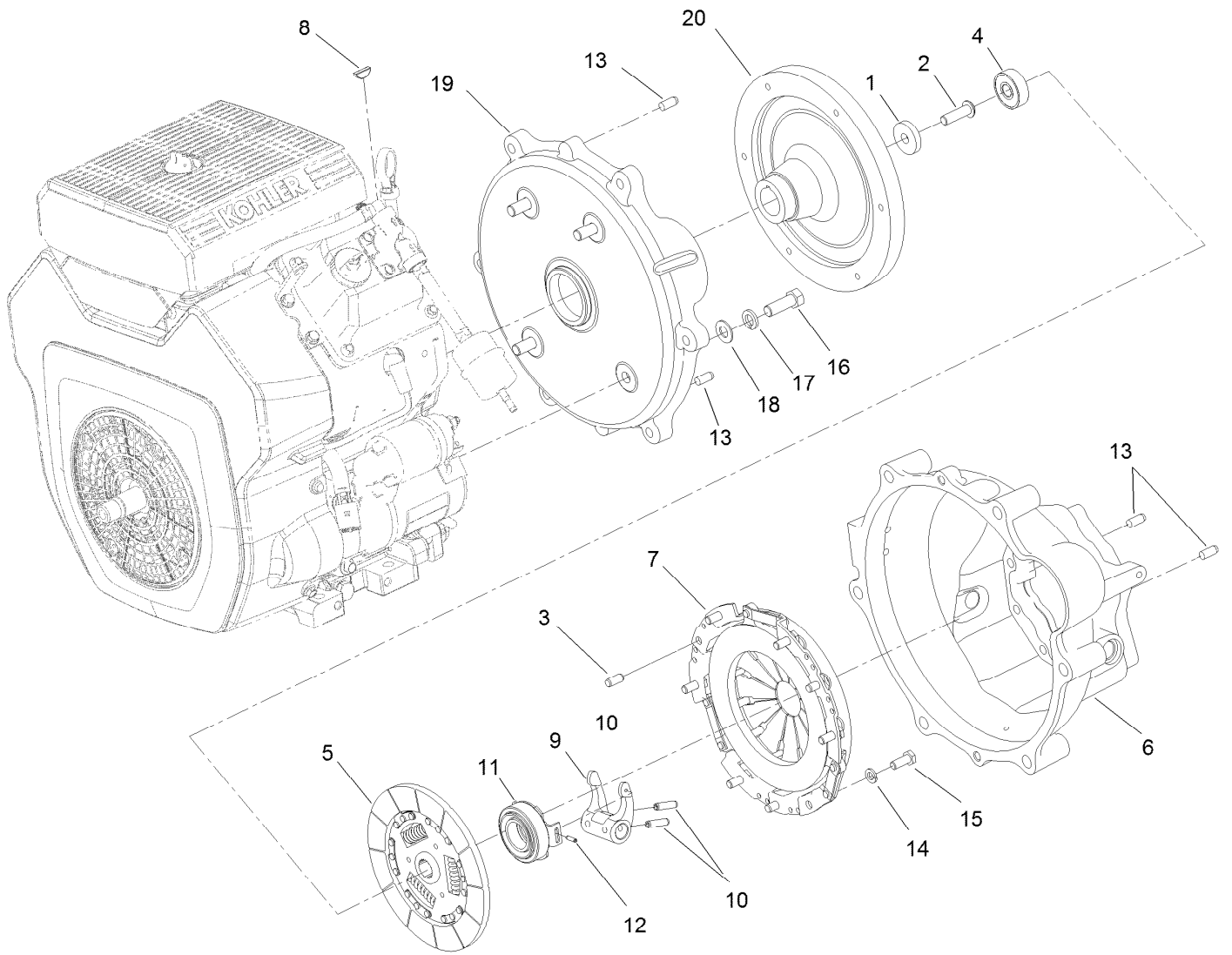
Driveshaft Connection Assembly

<i>Ref.</i>	<i>Part Number</i>	<i>Qty.</i>	<i>Description</i>	<i>Ref.</i>	<i>Part Number</i>	<i>Qty.</i>	<i>Description</i>
1	87-1920	2	Seal-Oil	13	251-82	1	Bearing-Ball
2	87-3770	2	Bushing-Housing, Bell	14	125-0820	1	Cover-Bearing Support
3	115-2311	1	Lever-Clutch	15	3256-23	5	Washer-Plain
4	107-7983	6	Screw-HH	16	68-9950	1	Spring-Traction
5	2411-33	1	Balljoint-RH (W/Grommet)	17	322-10	5	Screw-HH
6	3296-4	1	Nut-Lock	18	104-8300	5	Nut-HF, NI
7	119-6040	1	Driveshaft ASM	19	119-4036	3	Screw-HHF
8	322-7	4	Screw-HH	20	125-8063-03	1	Bracket-Cable, Clutch
9	3296-29	4	Nut-Lock, NI	21	2412-82	1	Clamp-R
10	32151-71	1	Ring-Retaining, Internal	22	3245-32	1	Screw-HSH
11	125-0797	1	Shaft-Output	23	92-0049	1	Key-Square
12	87-5320	1	Release-Guide				



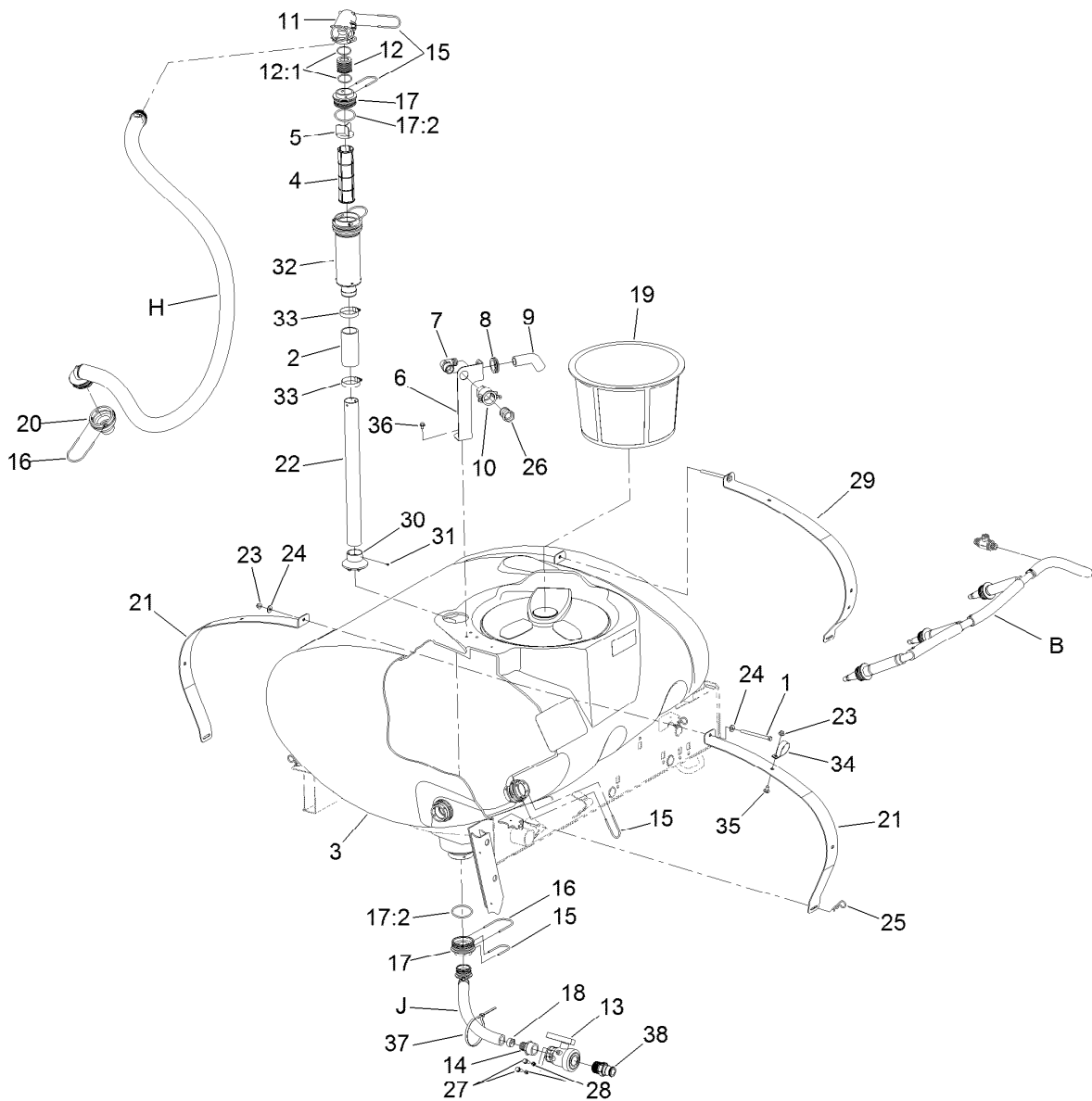
Driveshaft Assembly No. 119-6040

<i>Ref.</i>	<i>Part Number</i>	<i>Qty.</i>	<i>Description</i>
2	100-8633	1	Yoke-Keyed
3	54-9180	2	U-Joint Kit
3:1	62-3820	1	Fitting-Grease
4	110-4706	1	Tube-Yoke, Slip
4:1	302-58	1	Fitting-Straight
5	110-4705	1	Shaft-Yoke, Slip
6	100-8632	1	Yoke-Splined



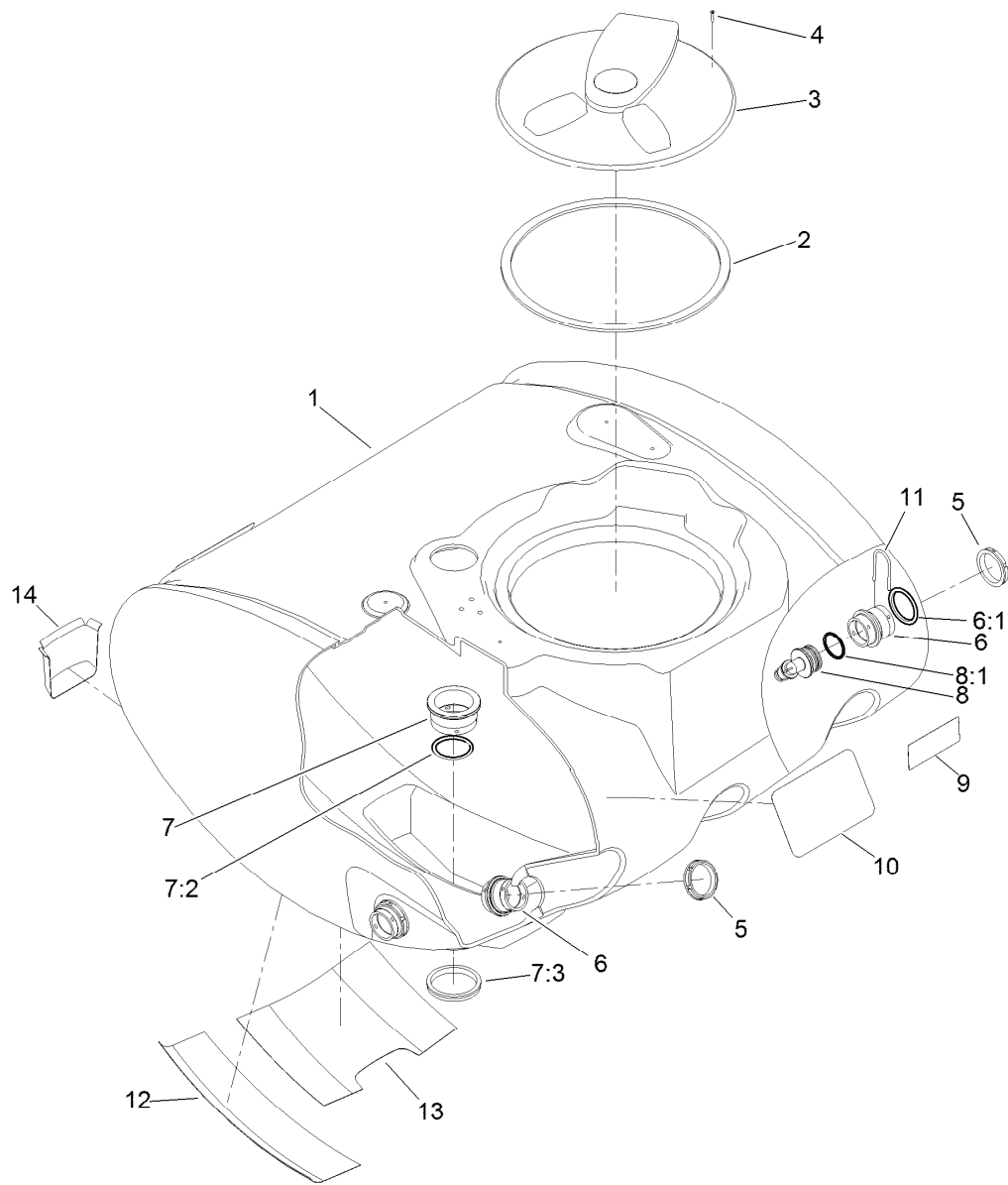
Clutch and Bell Housing Assembly

<i>Ref.</i>	<i>Part Number</i>	<i>Qty.</i>	<i>Description</i>	<i>Ref.</i>	<i>Part Number</i>	<i>Qty.</i>	<i>Description</i>
1	87-6080	1	Washer	11	110-2538	1	Bearing-Release, Clutch
2	3274-63	1	Screw-HSBH	12	32121-7	1	Pin-Roll, Slotted
3	42-7160	3	Pin	13	87-1910	4	Pin-Dowel
4	87-6460	1	Bearing-Ball (W/Seal)	14	3253-4	6	Washer-Lock
5	98-2959	1	Disc-Clutch	15	33114-020	6	Screw-HH
6	104-9249	1	Housing-Bell	16	324-5	4	Screw-HH
7	98-2958	1	Cover-Clutch	17	3253-6	4	Washer-Lock
8	3257-5	1	Key-Woodruff	18	3256-25	4	Washer-Flat
9	87-5300	1	Fork-Clutch	19	107-7991	1	Adapter-Clutch
10	32121-24	2	Pin-Spring	20	87-6480	1	Flywheel



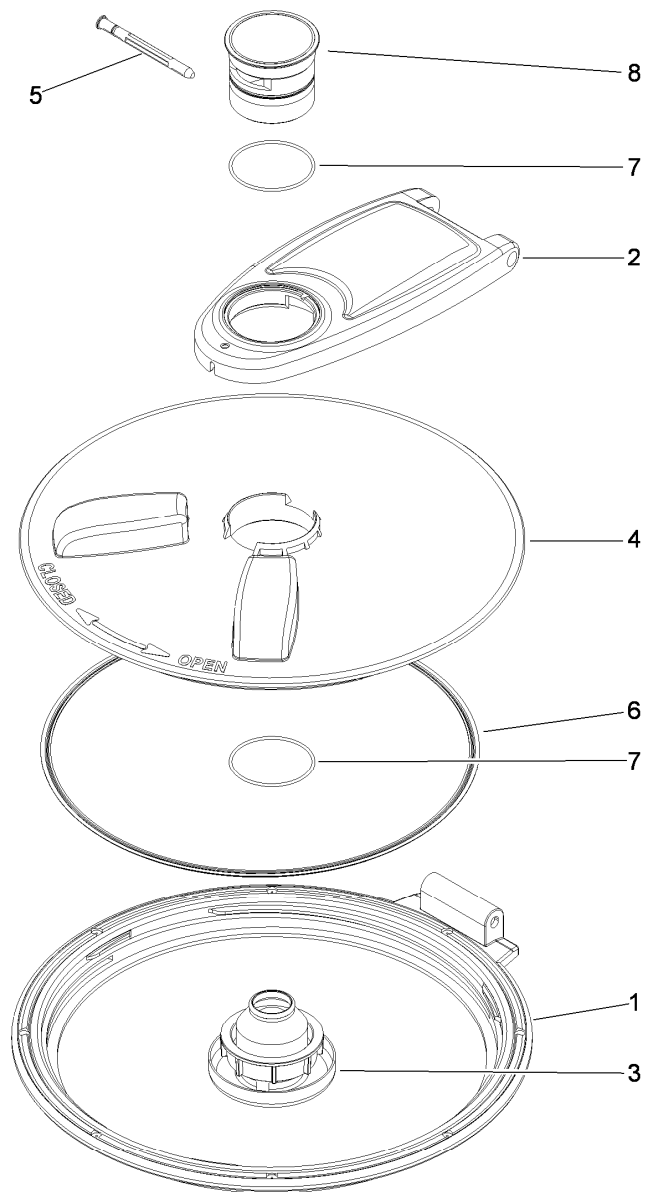
Spray Tank Assembly

Ref.	Part Number	Qty.	Description	Ref.	Part Number	Qty.	Description
1	323-59	2	Bolt-Cap	19	119-9419	1	Basket-Filter
2	100-8649	1	Hose-Suction	20	117-7858	1	Fitting-Pump
3	121-6491	1	Tank ASM	21	121-6477-03	2	Band-Tank
4	100-8642	1	Screen-Suction	22	125-7997	1	Tube-Suction
5	100-8641	1	Vane-Screen	23	104-8301	3	Nut-HF, NI
6	110-5082-03	1	Bracket-Anti Siphon	24	3256-4	4	Washer-Flat
7	41140	1	Elbow	25	3290-343	4	Pin-Hair
8	110-5090	1	Grommet	26	41316	1	Adapter-Quick
9	110-5088	1	Hose-Fill	27	3234-29	2	Screw-HHF
10	100-6779	1	Coupling-Female	28	3296-47	2	Nut-Lock, NI
11	100-6704	1	Tee	29	125-0987-03	2	Band-Tank, Rear
12	106-4947	1	Connector	30	100-6714	1	Foot-Tube, Suction
12:1	100-8637	2	O-Ring	31	108-3270	1	Screw-TAP
13	108-0069	1	Valve-Ball	32	130-7096	1	Filter ASM
14	110-5224	1	Fitting-Barbed, Straight	33	2412-130	2	Clamp-Hose
15	100-8635	8	Fork	34	114-9566	1	Clamp-R
16	117-7996	2	Fork	35	3231-2	1	Bolt-CARR
17	117-7928	2	Adapter ASM	36	3234-30	1	Screw-HHF
17:2	100-6989	1	O-Ring	37	1-809066	1	Cable Tie-Plastic
18	2412-34	1	Clamp-Hose	38	132-7787	1	Coupler-Quick



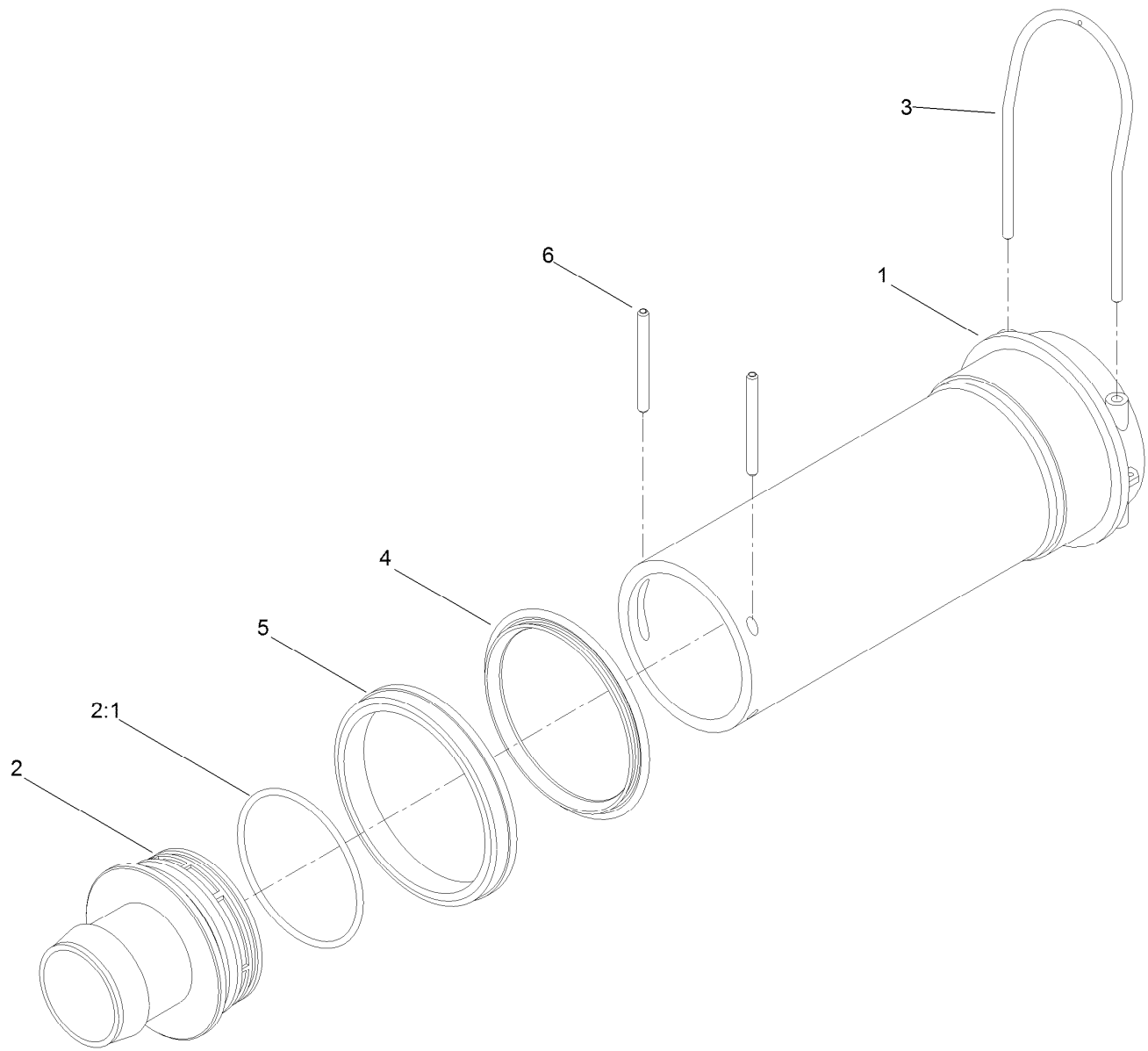
Tank Assembly No. 121-6491

<i>Ref.</i>	<i>Part Number</i>	<i>Qty.</i>	<i>Description</i>	<i>Ref.</i>	<i>Part Number</i>	<i>Qty.</i>	<i>Description</i>
1	121-6490	1	Tank-175 Gallon	7:3	100-8647	1	Nut-Bulkhead
2	119-9378	1	Gasket-Lid, Tank	8	106-4933	2	Hosebarb ASM
3	119-9380	1	Spray Tank Lid ASM	8:1	100-8637	1	O-Ring
4	107-8635	8	Screw-PFH	9	120-0622	1	Decal-Warning
5	100-7051	4	Nut-Bulkhead	10	121-6486	2	Decal-Tank
6	108-3358	5	Fitting-Bulkhead	11	100-8635	2	Fork
6:1	107-2864	1	Gasket-Bulkhead	12	125-7967	1	Heat Tape-Shield, Front
7	117-7851	1	Bulkhead ASM	13	125-7968	1	Heat Tape-Shield, Side
7:2	100-8646	1	Gasket-Bulkhead	14	125-7969	1	Heat Tape-Shield, Sump
7:3							



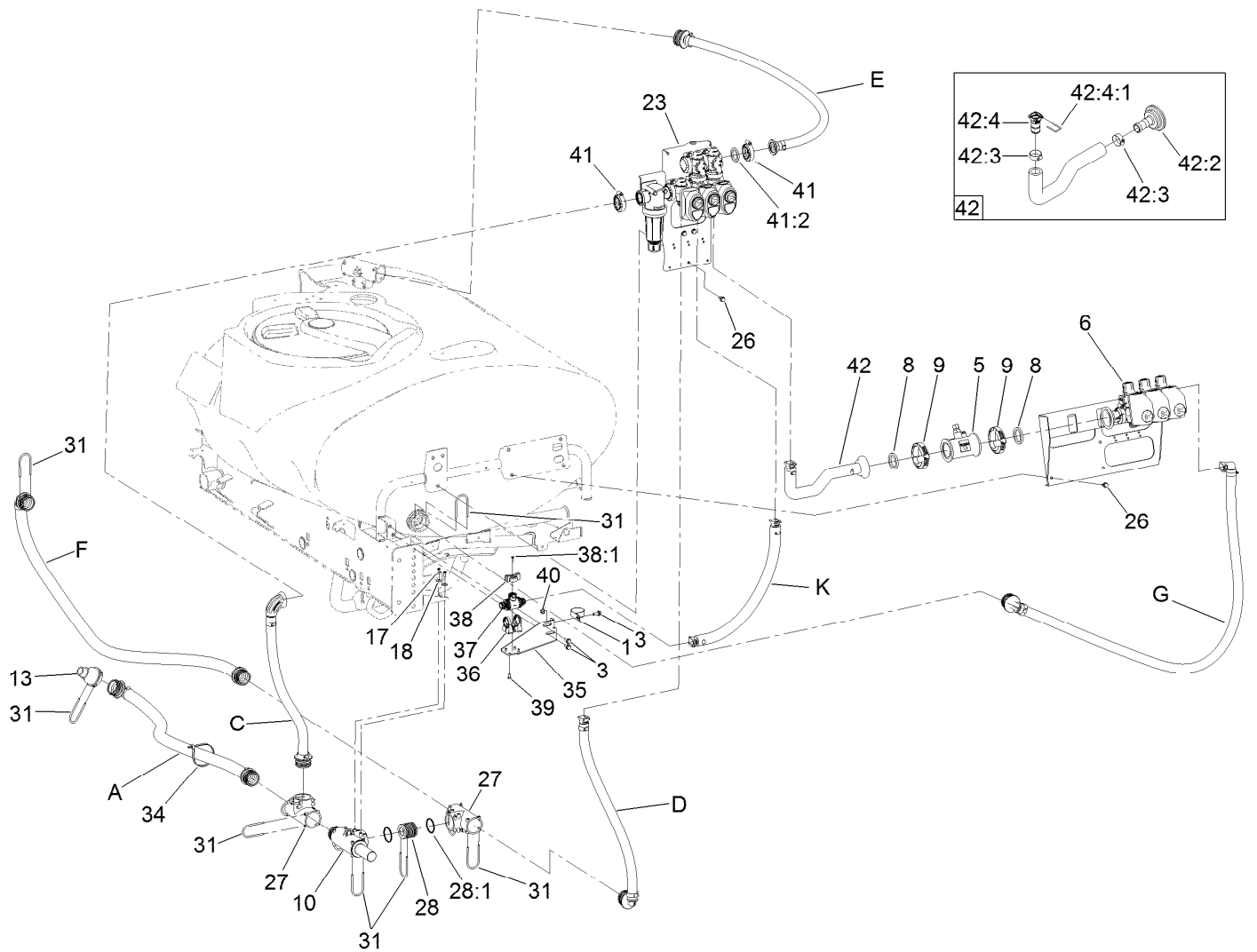
Spray Tank Lid Assembly No. 119-9380

<i>Ref.</i>	<i>Part Number</i>	<i>Qty.</i>	<i>Description</i>
1	119-9381	1	Ring-Lid
2	119-9382	1	Arm-Lid
3	119-9383	1	Vent-Lid
4	119-9384	1	Cover-Lid
5	119-9385	1	Pin-Pivot
6	106-5004	1	Seal-Lid
7	119-9386	2	O-Ring
8	119-9387	1	Cap-Lid



Filter Assembly No. 130-7096

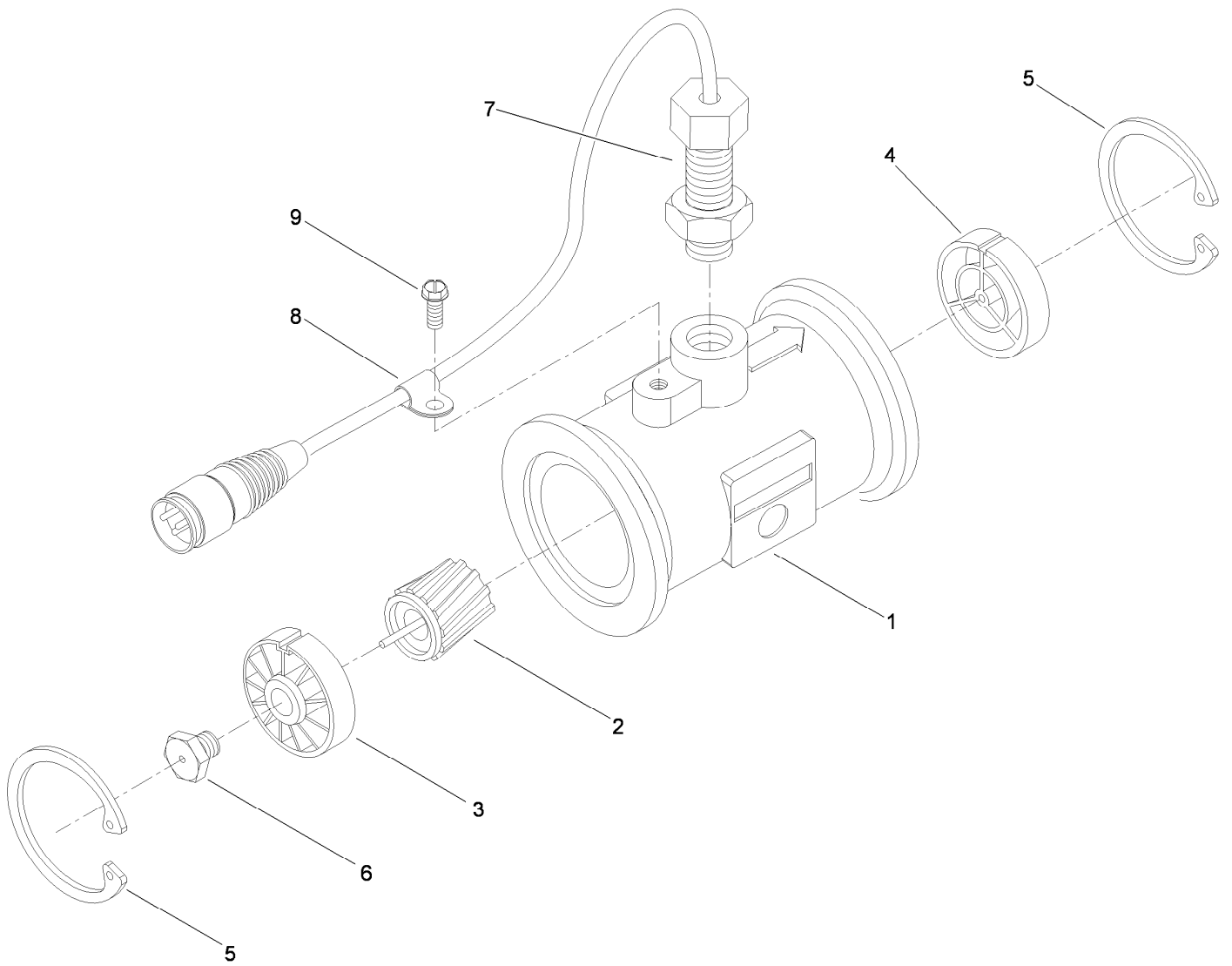
<i>Ref.</i>	<i>Part Number</i>	<i>Qty.</i>	<i>Description</i>
1	100-8643	1	Housing-Filter
2	106-4942	1	Hosebarb-Straight
2:1	100-6989	1	O-Ring
3	100-8636	1	Fork-Special
4	100-8646	1	Gasket-Bulkhead
5	100-8647	1	Nut-Bulkhead
6	100-8644	2	Pin-Expansion



Spray Tank Valve Assembly

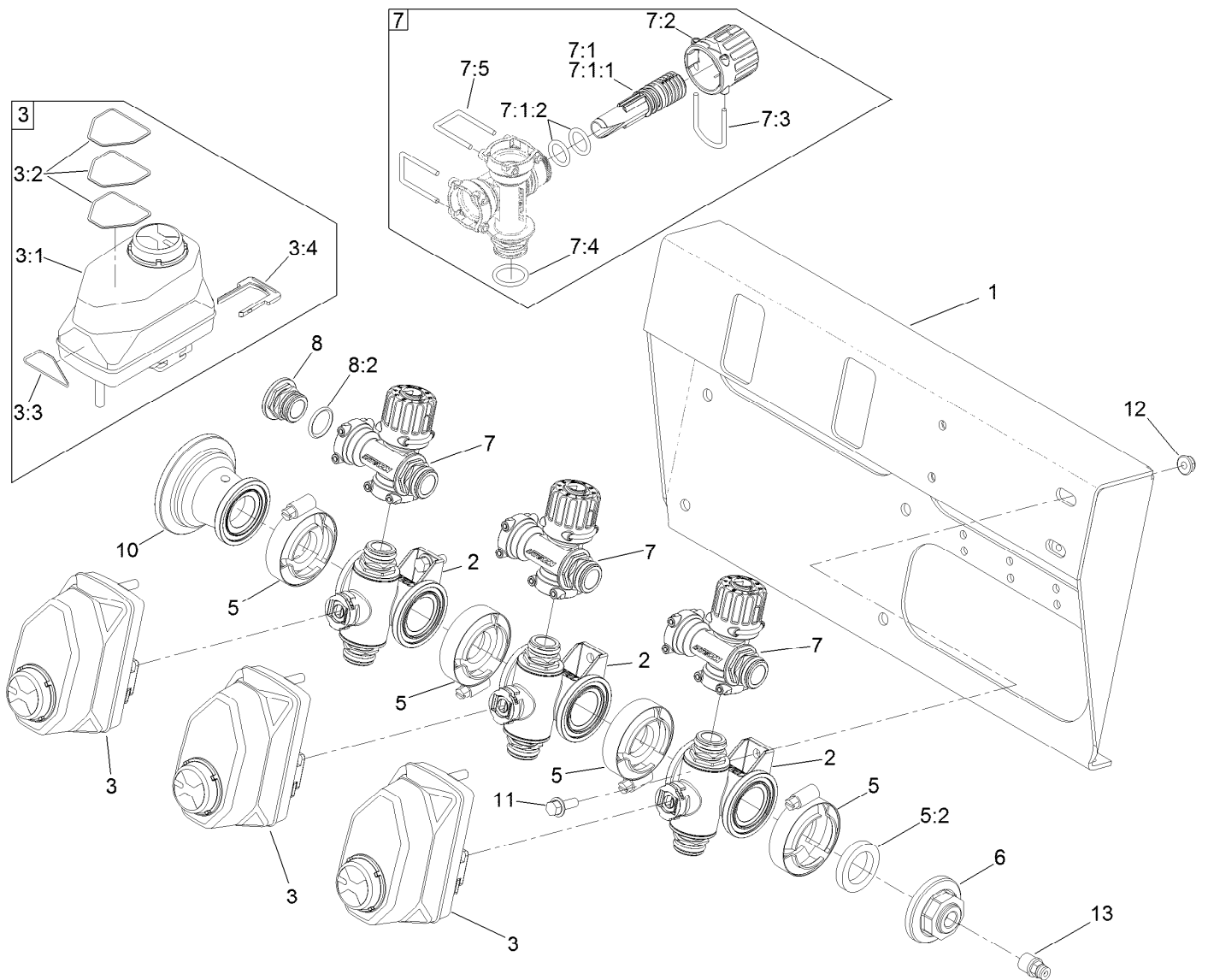
Ref.	Part Number	Qty.	Description	Ref.	Part Number	Qty.	Description
1	2412-147	1	Clamp-R	34	3334-945	3	Tie-Cable
3	3234-47	3	Screw-HHF	35	132-4318-03	1	Mount-Bracket, Agitation
5	106-1038	1	Flow Meter ASM	36	132-4302	1	Mount-Valve
6		1	Section Valve Manifold ASM	37	131-0249	1	On/Off 2-Way Valve Kit
8	104-9090	2	Gasket	38	131-0264	1	Agitation Throttling Handle Kit
9	104-9089	2	Clamp-Screw, Worm	38:1	131-0263	1	Screw-Handle
10	117-7874	1	Relief Valve ASM	39	33113-012	4	Screw-HH
13	117-7859	1	Fitting-Pump	40	104-8300	1	Nut-HF, NI
17	32144-32	2	Screw	41	127-9829	2	Clamp/Gasket Kit
18	3256-61	2	Washer-Flat	41:2	127-1145	1	Gasket-Flange
23		1	Agitation Manifold ASM ●	42	132-4343	1	Master Hose ASM
26	32104-32	7	Screw-HWH	42:2	107-8704	1	Hosebarb
27	100-6704	2	Tee	42:3	2412-34	2	Clamp-Hose
28	106-4947	1	Connector	42:4	127-9806	1	Fitting Kit
28:1	100-8637	2	O-Ring	42:4:1	127-1175	1	Fork
31	100-8635	12	Fork				

● Not serviced separately



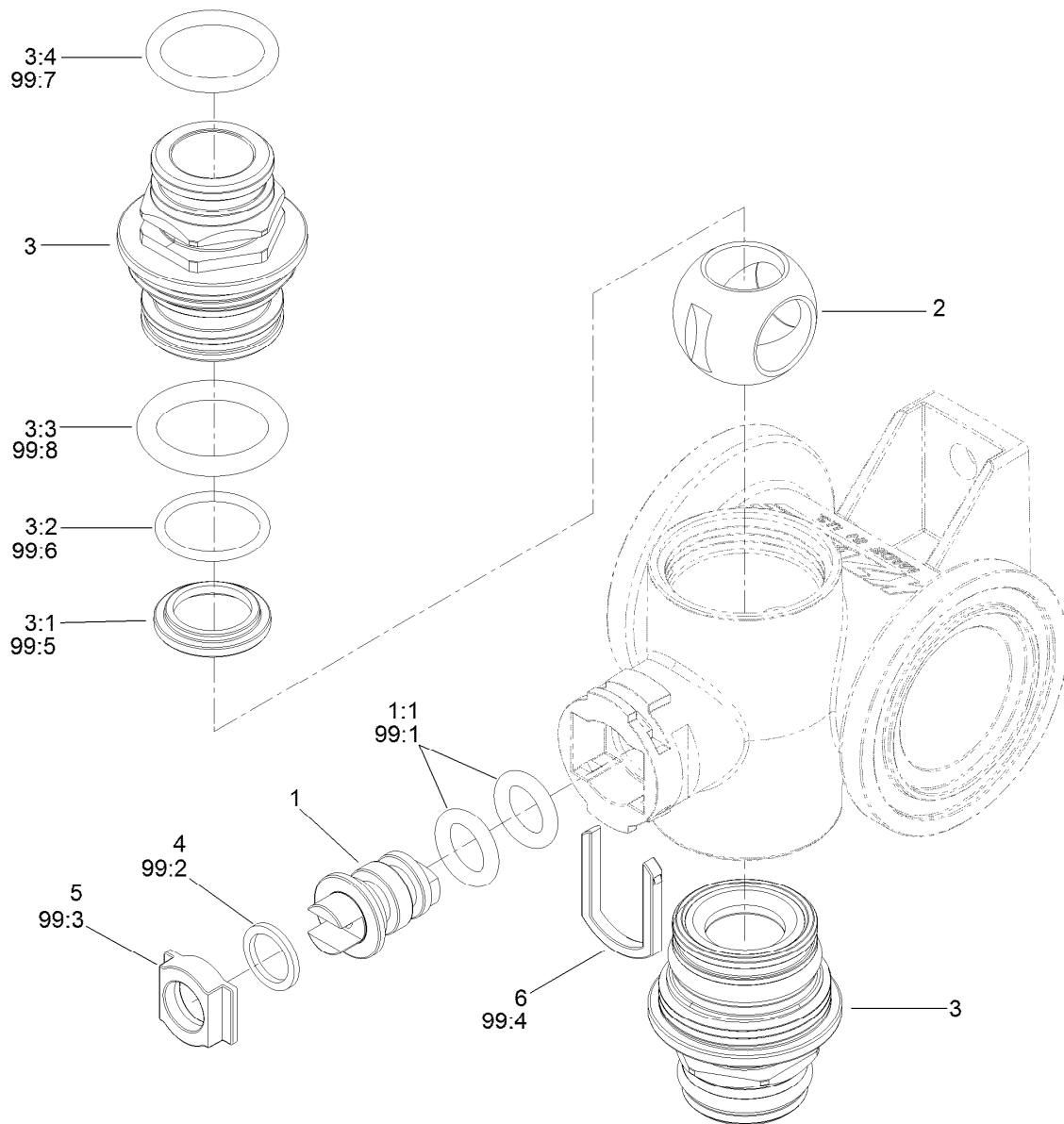
Flow Meter Assembly No. 106-1038

<i>Ref.</i>	<i>Part Number</i>	<i>Qty.</i>	<i>Description</i>
1	106-1042	1	Body-Meter, Flow
2	104-9059	1	Rotor / Magnet ASM
3	104-9060	1	Upstream Hub And Bearing ASM
4	104-9061	1	Downstream Hub ASM
5	104-9062	2	Ring-Retaining, Internal
6	42480	1	Stud-Turbine (W / Bearing)
7	104-9065	1	External Sensor ASM
8	104-9063	1	Clamp-Cable
9	104-9064	1	Screw-HWHTF



Section Valve Manifold Assembly

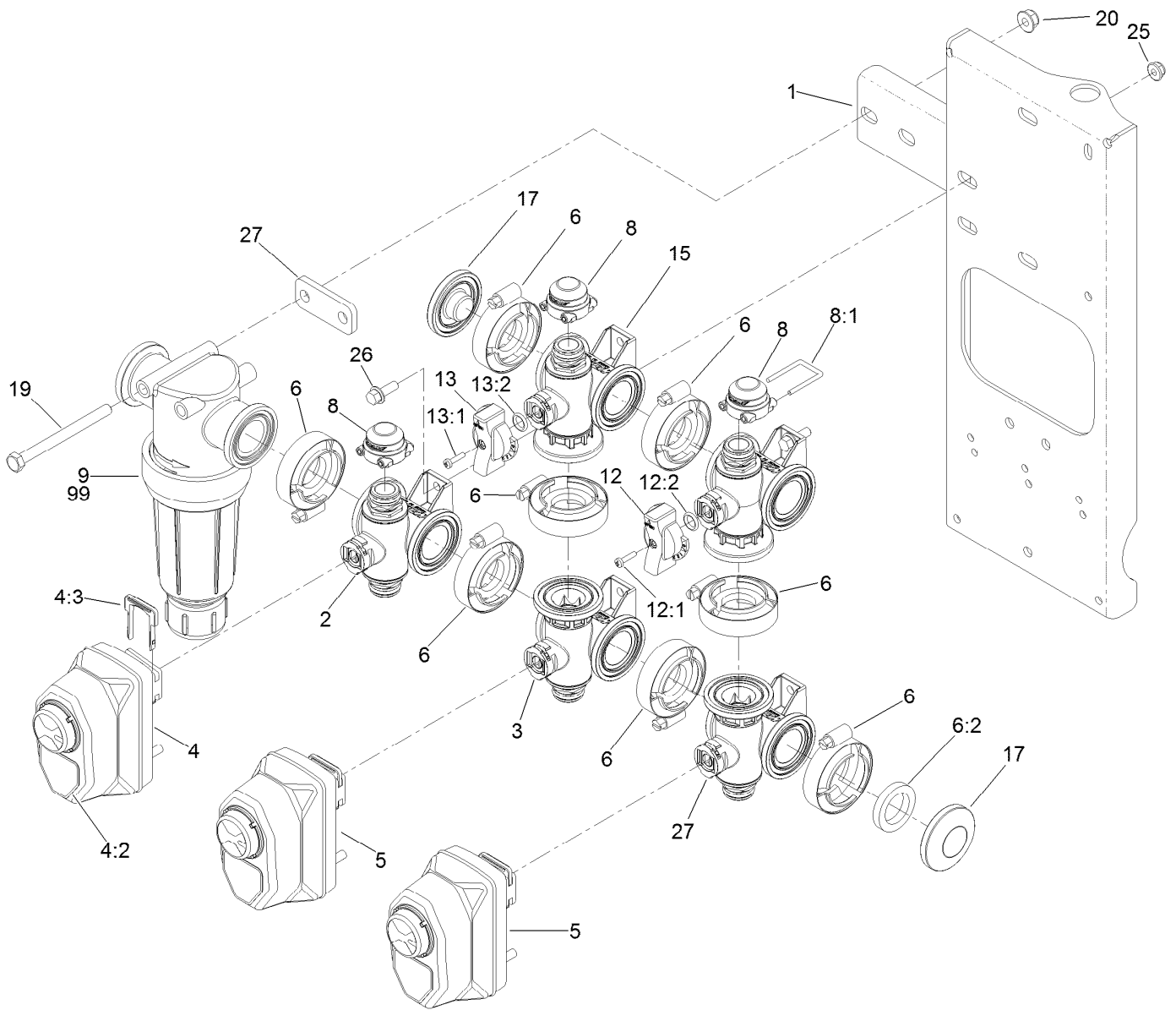
Ref.	Part Number	Qty.	Description	Ref.	Part Number	Qty.	Description
1	131-0240	1	Mount-Valve, Boom	7:1	131-0298	1	Bypass Needle Kit
2	127-9803	3	On/Off Manifold Valve Kit	7:1:1	127-1182	1	Needle-Bypass
3	131-3723	3	Actuator On/Off Kit	7:1:2	127-1181	2	Oring-Bypass Needle
3:1	127-9801	1	Actuator-On/Off	7:2	127-1180	1	Knob-Bypass
3:2	127-6981	1	Decal-Valve, On/Off	7:3	127-1179	1	Fork-Bypass Knob
3:2	127-6982	1	Decal-Valve, Master Boom	7:4	127-1187	1	O-Ring, Endcap
3:2	127-6979	1	Decal-Valve, Agitation	7:5	127-1175	2	Fork
3:3	127-6976	1	Decal-Valve, Bypass Adjust	8	127-9810	1	Male Cap Fitting Kit
3:4	130-7301	1	Hairpin-Actuator	8:2	127-1187	1	O-Ring, Endcap
5	127-9829	4	Clamp/Gasket Kit	10	127-1144	1	Fitting-Adapter
5:2	127-1145	1	Gasket-Flange	11	3234-4	4	Screw-HHF
6	127-1185	1	Fitting-Cap, Port	12	104-7201	4	Nut-HF
7	127-9805	3	Bypass Valve ASM	13	131-3709	1	Coupler



On/Off Manifold Valve Kit No. 127-9803

<i>Ref.</i>	<i>Part Number</i>	<i>Qty.</i>	<i>Description</i>	<i>Ref.</i>	<i>Part Number</i>	<i>Qty.</i>	<i>Description</i>
1	130-8248	1	Vavle Stem Kit	6	127-1190	1	Fork-Stem, Valve
1:1	127-1197	2	O-Ring-Stem	99	130-7304	1	Valve Repair Kit ●
2	127-1194	1	Ball-Valve, 3Way	99:1	127-1197	2	O-Ring-Stem
3	130-7317	2	Endcap Kit	99:2	127-1196	2	Washer-Stem, Valve
3:1	127-1192	1	Seat-Ball	99:3	127-1195	1	Seat-Stem, Valve
3:2	127-1188	1	O-Ring, Seat (Ball)	99:4	127-1190	1	Fork-Stem, Valve
3:3	127-1189	1	O-Ring, Endcap	99:5	127-1192	2	Seat-Ball
3:4	127-1187	1	O-Ring, Endcap	99:6	127-1188	2	O-Ring, Seat (Ball)
4	127-1196	1	Washer-Stem, Valve	99:7	127-1187	2	O-Ring, Endcap
5	127-1195	1	Seat-Stem, Valve	99:8	127-1189	2	O-Ring, Endcap

● Not illustrated

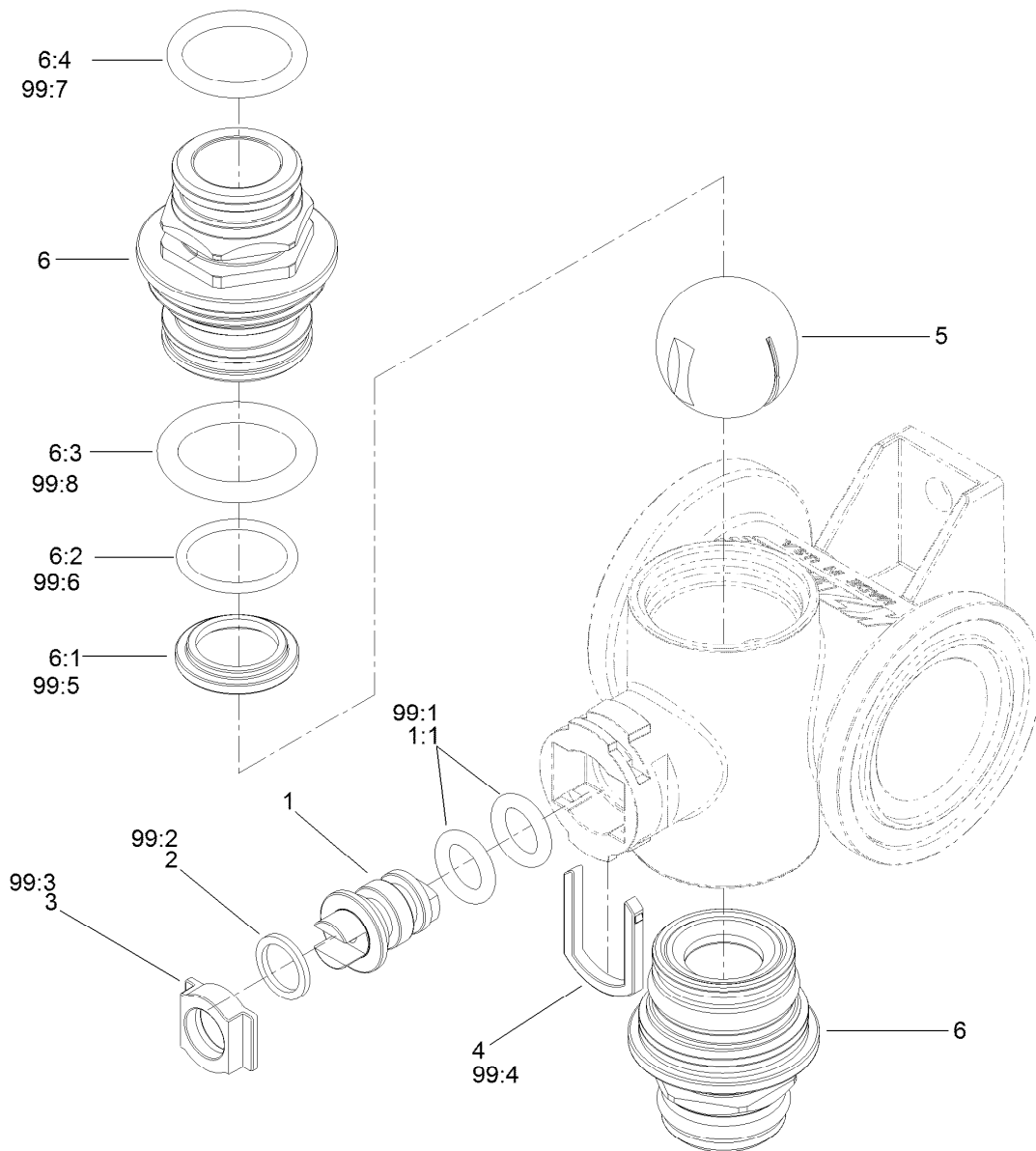


Agitation Manifold Assembly

Ref.	Part Number	Qty.	Description	Ref.	Part Number	Qty.	Description
1	131-3708	1	Mount-Valve	13	131-0265	1	Agitation Regulating Handle Kit
2	127-9804	1	Regulating Valve Body ASM	13:1	131-0263	1	Screw-Handle
3	131-7256	2	Manifold Valve Kit	13:2	127-1197	1	O-Ring-Stem
4	131-3724	1	Actuator Regulating Kit	15	131-0253	2	Manifold Valve Kit
4:2	127-6984	1	Decal-Valve, Regulating	17	127-9815	2	Fitting-Cap
4:3	130-7301	1	Hairpin-Actuator	19	322-23	2	Screw-HH
5	131-3723	2	Actuator On/Off Kit	20	104-8300	2	Nut-HF, NI
6	127-9829	8	Clamp/Gasket Kit	25	104-7201	6	Nut-HF
6:2	127-1145	1	Gasket-Flange	26	3234-4	6	Screw-HHF
8	127-9811	3	Fitting-Cap, Female	27	133-0380	2	Spacer-Filter
8:1	127-1175	1	Fork	99	133-0383	1	Screen-Teejet, 16 Mesh ■●
9	131-3791	1	Filter-Pressure	99	133-0384	1	Screen-Teejet, 30 Mesh ●■
12	131-0266	1	Master Regulating Handle Kit	99	133-0385	1	Screen-Teejet, 50 Mesh ■●
12:1	131-0263	1	Screw-Handle	99	133-0386	1	Screen-Teejet, 80 Mesh ●■
12:2	127-1197	1	O-Ring-Stem	99	133-0387	1	Screen-Teejet, 100 Mesh ■●

● Not illustrated

■ Optional Equipment

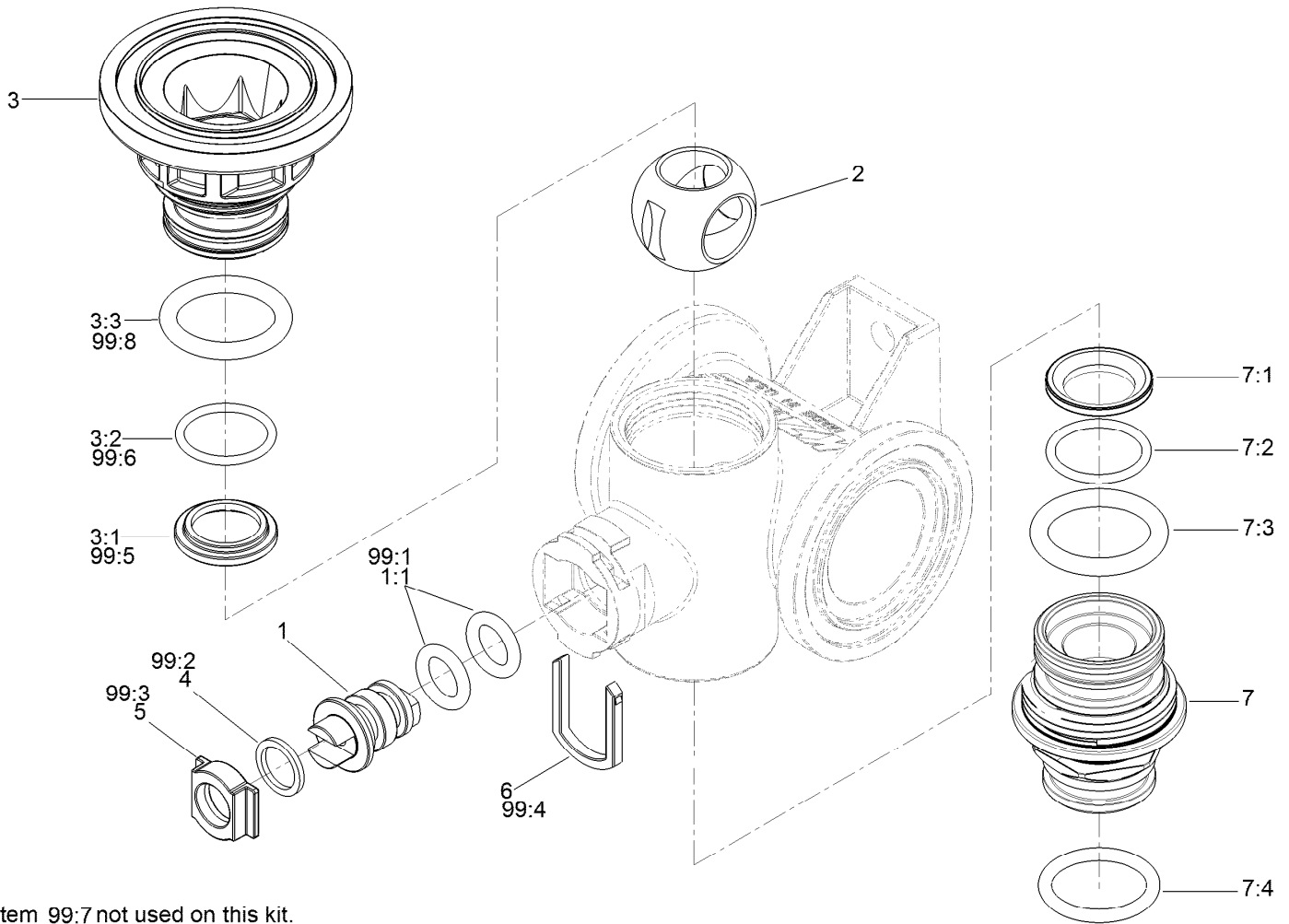


Regulating Valve Body Assembly No. 127-9804

<i>Ref.</i>	<i>Part Number</i>	<i>Qty.</i>	<i>Description</i>
1	130-8248	1	Valve Stem Kit
1:1	127-1197	2	O-Ring-Stem
2	127-1196	1	Washer-Stem, Valve
3	127-1195	1	Seat-Stem, Valve
4	127-1190	1	Fork-Stem, Valve
5	127-1113	1	Ball-V
6	130-7317	2	Endcap Kit
6:1	127-1192	1	Seat-Ball
6:2	127-1188	1	O-Ring, Seat (Ball)
6:3	127-1189	1	O-Ring, Endcap

<i>Ref.</i>	<i>Part Number</i>	<i>Qty.</i>	<i>Description</i>
6:4	127-1187	1	O-Ring, Endcap
99	130-7304	1	Valve Repair Kit ●
99:1	127-1197	2	O-Ring-Stem
99:2	127-1196	2	Washer-Stem, Valve
99:3	127-1195	1	Seat-Stem, Valve
99:4	127-1190	1	Fork-Stem, Valve
99:5	127-1192	2	Seat-Ball
99:6	127-1188	2	O-Ring, Seat (Ball)
99:7	127-1187	2	O-Ring, Endcap
99:8	127-1189	2	O-Ring, Endcap

● Not illustrated

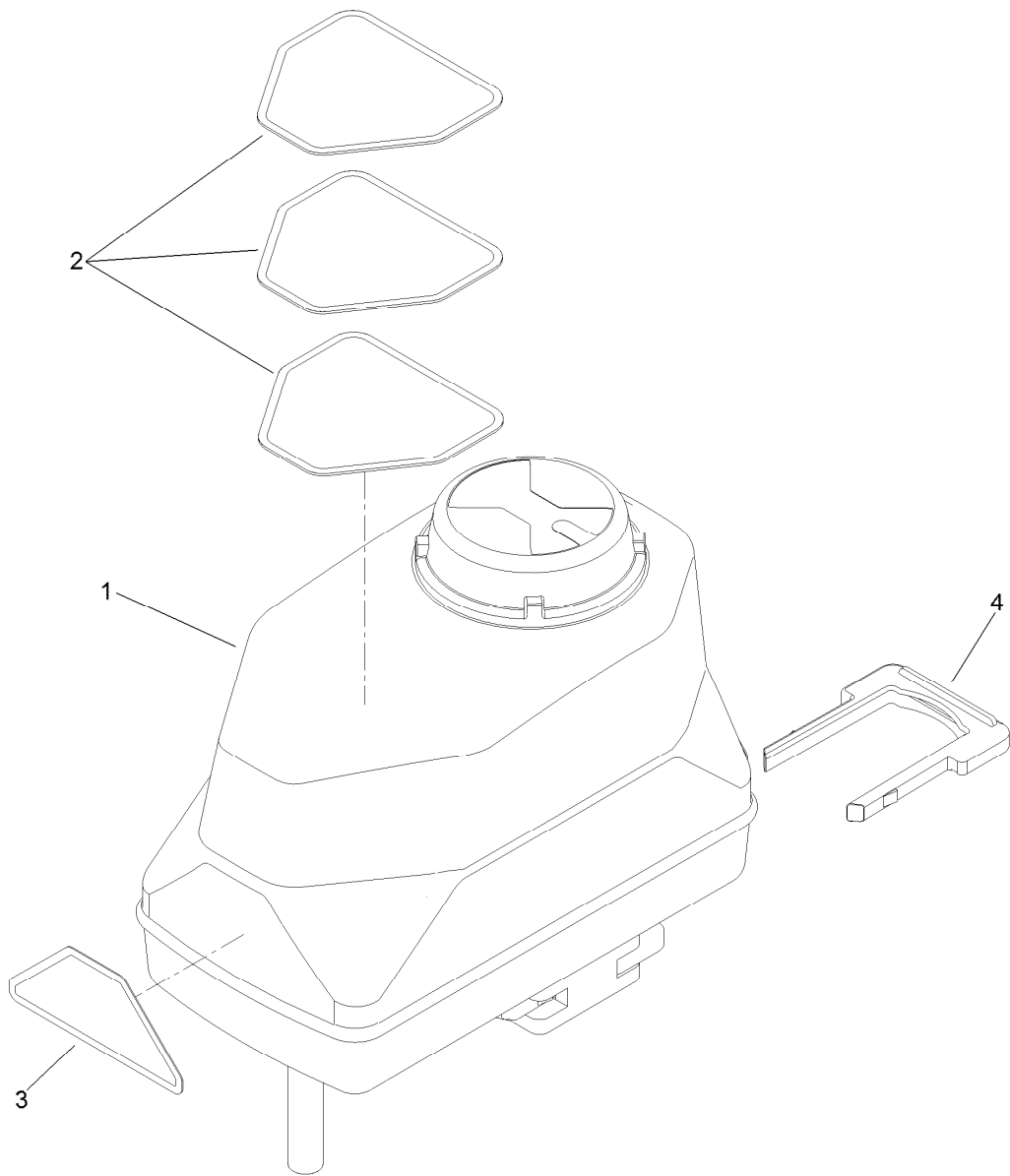


Item 99:7 not used on this kit.

Manifold Valve Kit No. 131-7256

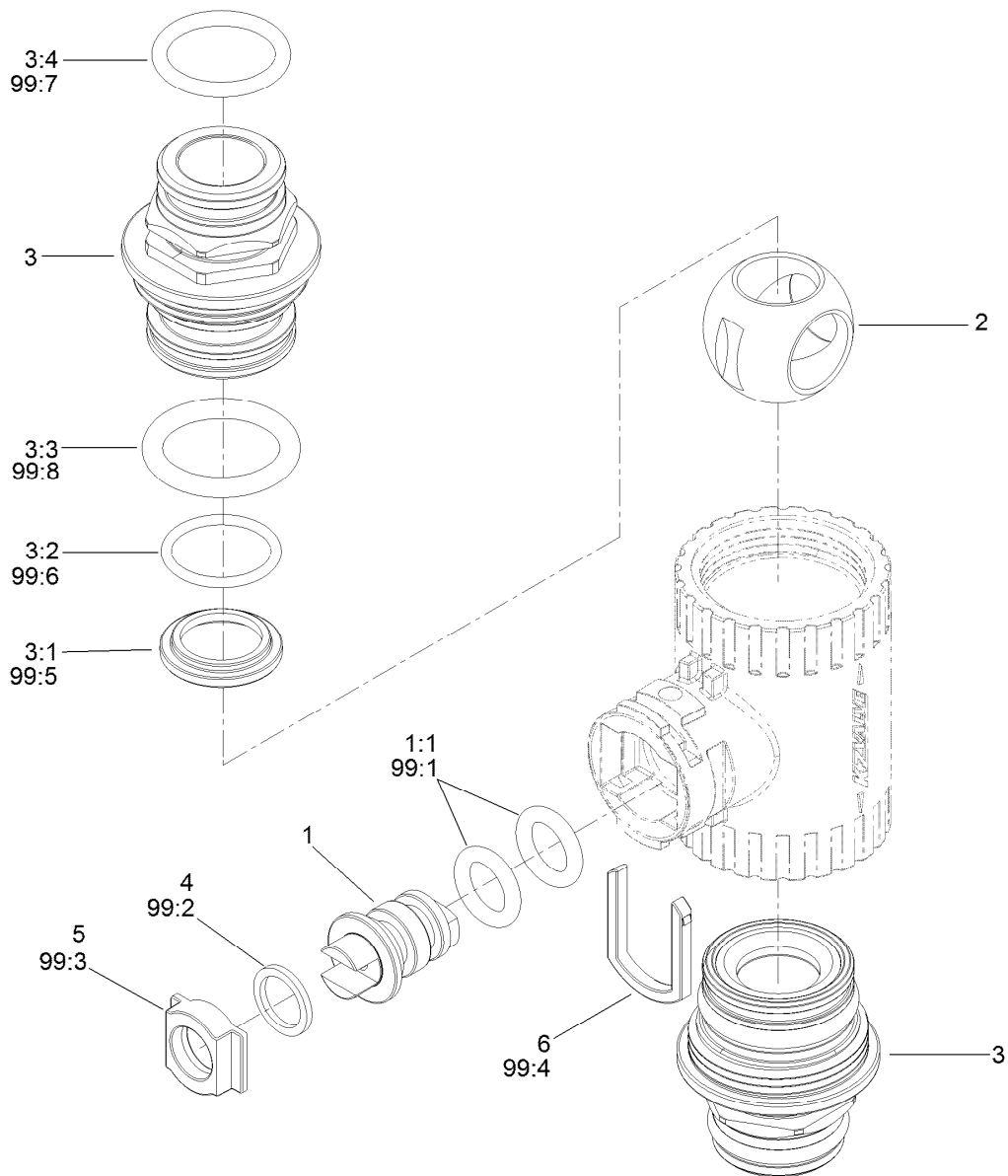
Ref.	Part Number	Qty.	Description	Ref.	Part Number	Qty.	Description
1	130-8248	1	Valve Stem Kit	7:2	127-1188	1	O-Ring, Seat (Ball)
1:1	127-1197	2	O-Ring-Stem	7:3	127-1189	1	O-Ring, Endcap
2	127-1194	1	Ball-Valve, 3Way	7:4	127-1187	1	O-Ring, Endcap
3	130-8249	1	Endcap Kit	99	130-7304	1	Valve Repair Kit ●
3:1	127-1192	1	Seat-Ball	99:1	127-1197	2	O-Ring-Stem
3:2	127-1188	1	O-Ring, Seat (Ball)	99:2	127-1196	2	Washer-Stem, Valve
3:3	127-1189	1	O-Ring, Endcap	99:3	127-1195	1	Seat-Stem, Valve
4	127-1196	1	Washer-Stem, Valve	99:4	127-1190	1	Fork-Stem, Valve
5	127-1195	1	Seat-Stem, Valve	99:5	127-1192	2	Seat-Ball
6	127-1190	1	Fork-Stem, Valve	99:6	127-1188	2	O-Ring, Seat (Ball)
7	130-7317	1	Endcap Kit	99:7	127-1187	2	O-Ring, Endcap
7:1	127-1192	1	Seat-Ball	99:8	127-1189	2	O-Ring, Endcap

● Not illustrated



Actuator On/Off Kit No. 131-3723

<i>Ref.</i>	<i>Part Number</i>	<i>Qty.</i>	<i>Description</i>
1	127-9801	1	Actuator-On/Off
2	127-6979	1	Decal-Valve, Agitation
2	127-6981	1	Decal-Valve, On/Off
2	127-6982	1	Decal-Valve, Master Boom
3	127-6976	1	Decal-Valve, Bypass Adjust
4	130-7301	1	Hairpin-Actuator

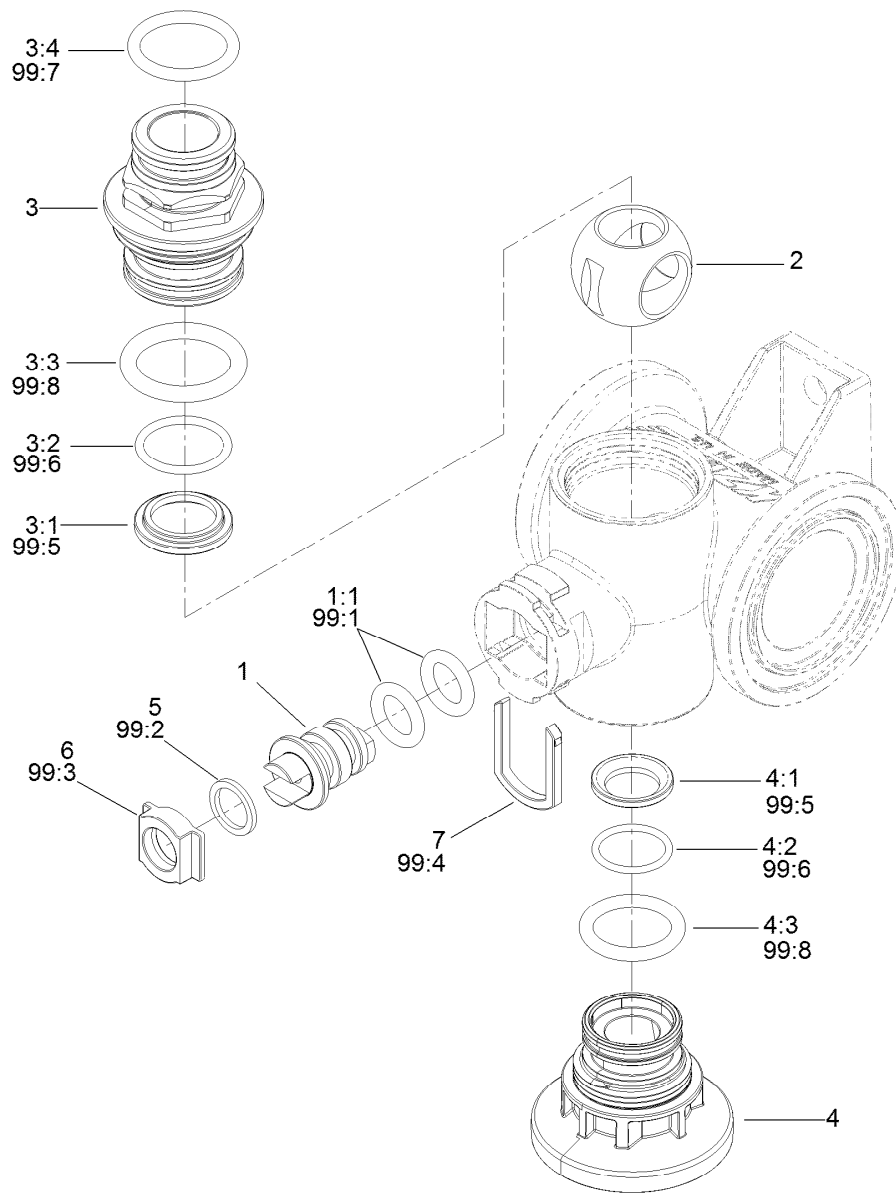


On/Off 2-Way Valve Kit No. 131-0249

Ref.	Part Number	Qty.	Description
1	130-8248	1	Valve Stem Kit
1:1	127-1197	2	O-Ring-Stem
2	131-0252	1	Ball-2-Way
3	130-7317	2	Endcap Kit
3:1	127-1192	1	Seat-Ball
3:2	127-1188	1	O-Ring, Seat (Ball)
3:3	127-1189	1	O-Ring, Endcap
3:4	127-1187	1	O-Ring, Endcap
4	127-1196	1	Washer-Stem, Valve
5	127-1195	1	Seat-Stem, Valve

Ref.	Part Number	Qty.	Description
6	127-1190	1	Fork-Stem, Valve
99	130-7304	1	Valve Repair Kit ●
99:1	127-1197	2	O-Ring-Stem
99:2	127-1196	2	Washer-Stem, Valve
99:3	127-1195	1	Seat-Stem, Valve
99:4	127-1190	1	Fork-Stem, Valve
99:5	127-1192	2	Seat-Ball
99:6	127-1188	2	O-Ring, Seat (Ball)
99:7	127-1187	2	O-Ring, Endcap
99:8	127-1189	2	O-Ring, Endcap

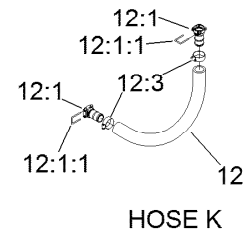
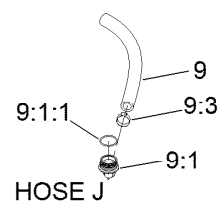
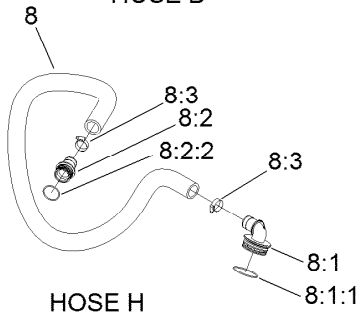
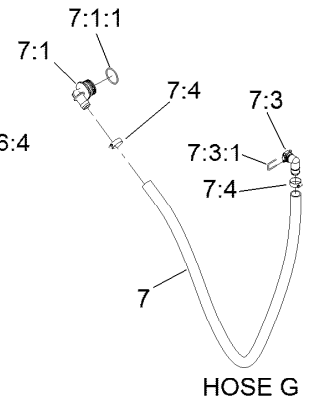
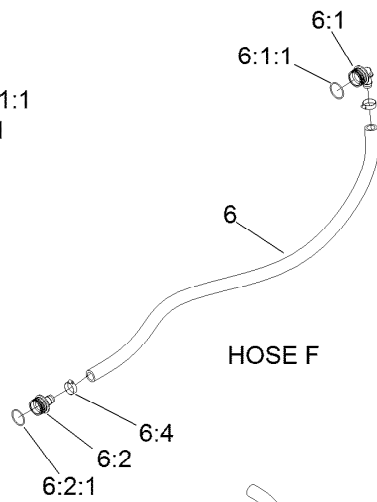
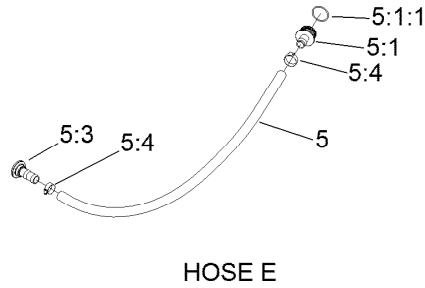
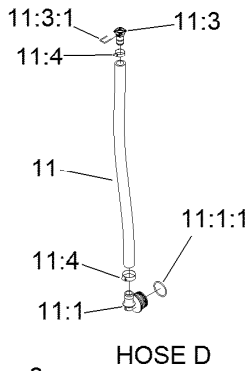
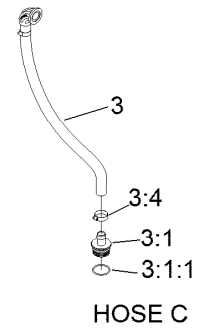
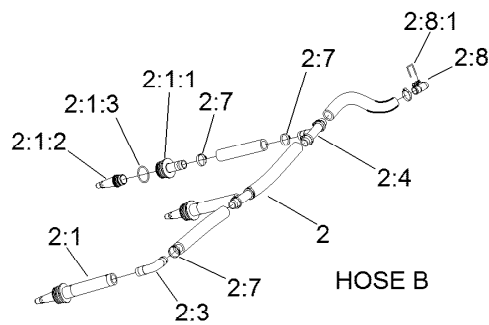
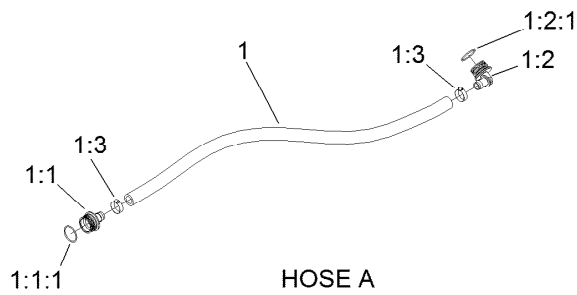
● Not illustrated



Manifold Valve Kit No. 131-0253

<i>Ref.</i>	<i>Part Number</i>	<i>Qty.</i>	<i>Description</i>	<i>Ref.</i>	<i>Part Number</i>	<i>Qty.</i>	<i>Description</i>
1	130-8248	1	Valve Stem Kit	5	127-1196	1	Washer-Stem, Valve
1:1	127-1197	2	O-Ring-Stem	6	127-1195	1	Seat-Stem, Valve
2	127-1113	1	Ball-V	7	127-1190	1	Fork-Stem, Valve
3	130-7317	1	Endcap Kit	99	130-7304	1	Valve Repair Kit ●
3:1	127-1192	1	Seat-Ball	99:1	127-1197	2	O-Ring-Stem
3:2	127-1188	1	O-Ring, Seat (Ball)	99:2	127-1196	2	Washer-Stem, Valve
3:3	127-1189	1	O-Ring, Endcap	99:3	127-1195	1	Seat-Stem, Valve
3:4	127-1187	1	O-Ring, Endcap	99:4	127-1190	1	Fork-Stem, Valve
4	130-8249	1	Endcap Kit	99:5	127-1192	2	Seat-Ball
4:1	127-1192	1	Seat-Ball	99:6	127-1188	2	O-Ring, Seat (Ball)
4:2	127-1188	1	O-Ring, Seat (Ball)	99:7	127-1187	2	O-Ring, Endcap
4:3	127-1189	1	O-Ring, Endcap	99:8	127-1189	2	O-Ring, Endcap

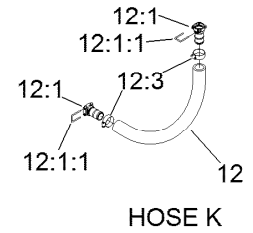
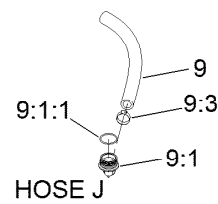
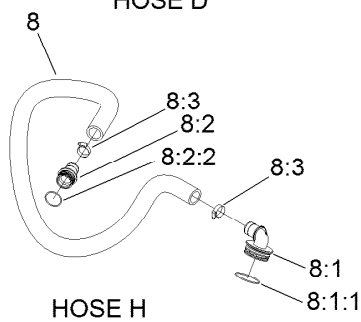
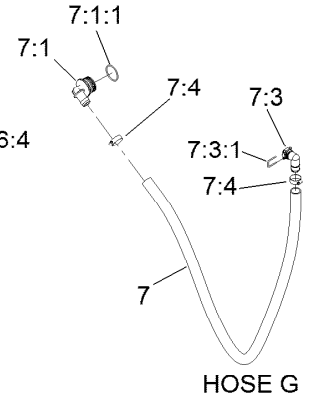
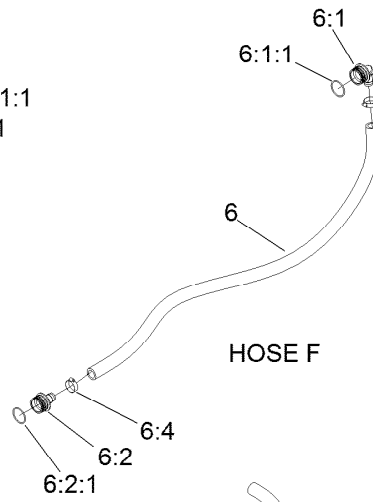
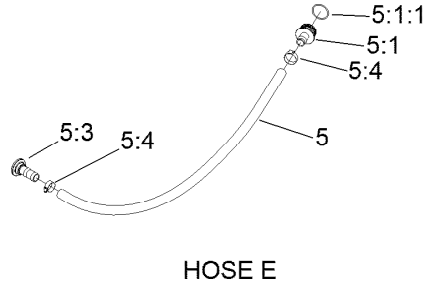
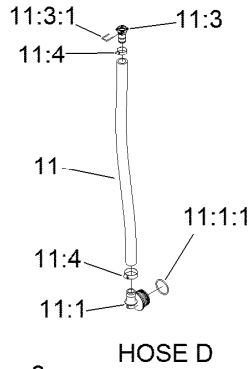
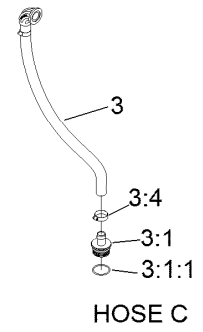
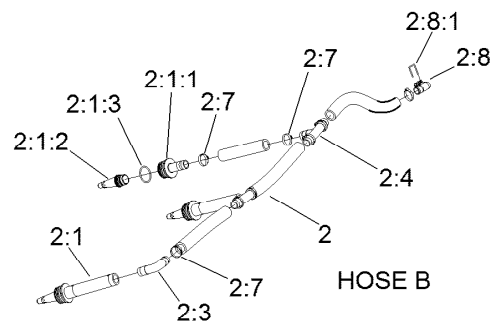
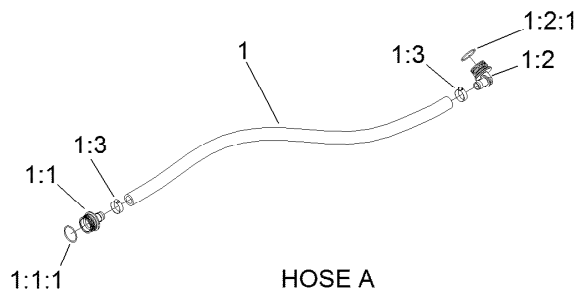
● Not illustrated



Hose Assembly

Ref.	Part Number	Qty.	Description
1	121-6539	1	Main Supply Hose ASM
1:1	106-4932	1	Hosebarb-Straight
1:1:1	100-8637	1	O-Ring
1:2	106-4933	1	Hosebarb ASM
1:2:1	100-8637	1	O-Ring
1:3	2412-34	2	Clamp-Hose
2	132-4320	1	Agitation Hose ASM
2:1	131-3731	3	Agitation Nozzle ASM
2:1:1	131-3732	1	Fitting-Barb
2:1:2	120-8579	1	Nozzle-Agitation
2:1:3	121-4996	1	O-Ring
2:3	117-7867	1	Elbow-Hosebarb
2:4	117-7866	2	Tee-Hosebarb
2:7	2412-34	12	Clamp-Hose
2:8	131-0213	1	90 DEG Barb Fitting Kit
2:8:1	127-1175	1	Fork
3	132-4314	1	Hose-Supply
3:1	106-4932	1	Hosebarb-Straight
3:1:1	100-8637	1	O-Ring
3:4	2412-34	2	Clamp-Hose
5	132-4313	1	Hose Agitation, Bypass

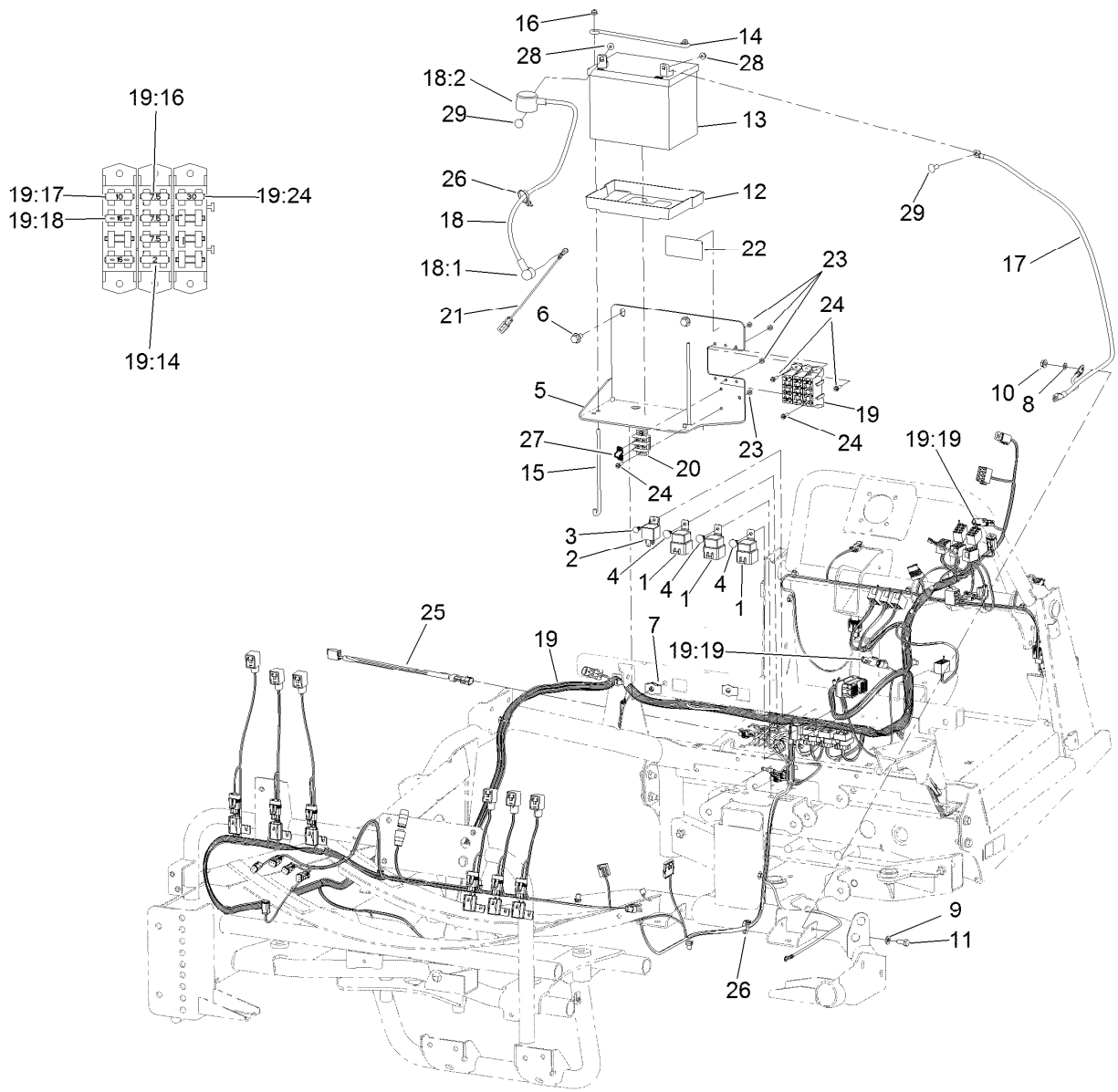
Ref.	Part Number	Qty.	Description
5:1	106-4932	1	Hosebarb-Straight
5:1:1	100-8637	1	O-Ring
5:3	127-1142	1	Fitting-Barb
5:4	2412-34	2	Clamp-Hose
6	125-0601	1	Regulating Hose ASM
6:1	106-4933	1	Hosebarb ASM
6:1:1	100-8637	1	O-Ring
6:2	106-4932	1	Hosebarb-Straight
6:2:1	100-8637	1	O-Ring
6:4	2412-34	2	Clamp-Hose
7	132-4315	1	Hose-Bypass
7:1	106-4933	1	Hosebarb ASM
7:1:1	100-8637	1	O-Ring
7:3	131-0213	1	90 DEG Barb Fitting Kit
7:3:1	127-1175	1	Fork
7:4	2412-34	2	Clamp-Hose
8	125-0603	1	Top Suction Hose ASM
8:1	106-4952	1	Hosebarb-90 DEG
8:1:1	100-6989	1	O-Ring
8:2	117-7982	1	Hosebarb ASM
8:2:2	100-8637	1	O-Ring



Hose Assembly (continued)

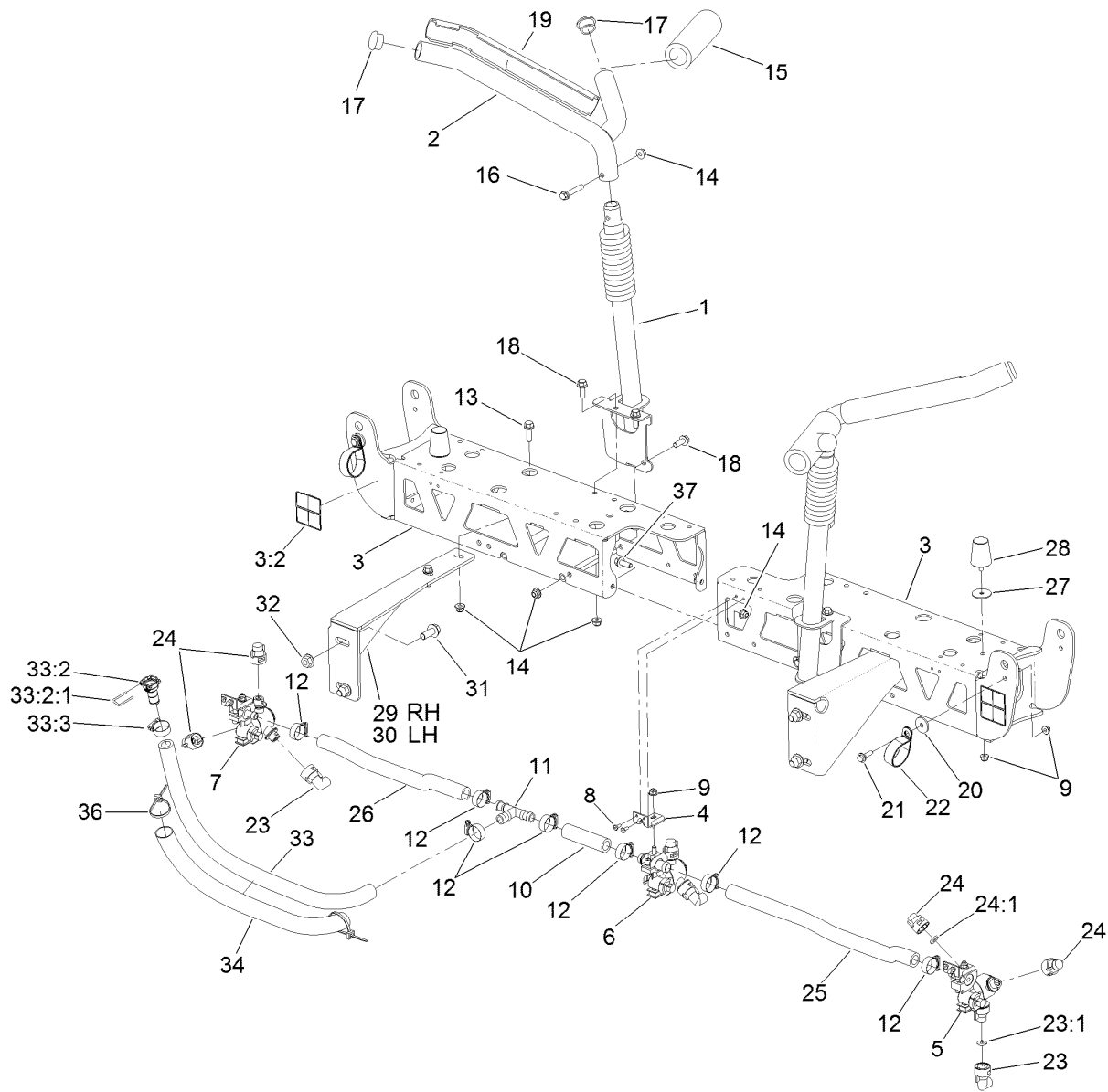
Ref.	Part Number	Qty.	Description
8:3	41327	2	Clamp-Hose
9	125-0647	1	Drain Hose ASM
9:1	106-4933	1	Hosebarb ASM
9:1:1	100-8637	1	O-Ring
9:3	2412-34	1	Clamp-Hose
11	132-4316	1	Hose-Regulating
11:1	106-4933	1	Hosebarb ASM
11:1:1	100-8637	1	O-Ring

Ref.	Part Number	Qty.	Description
11:3	127-9806	1	Fitting Kit
11:3:1	127-1175	1	Fork
11:4	2412-34	2	Clamp-Hose
12	132-4319	1	Hose-Regulating
12:1	127-9806	2	Fitting Kit
12:1:1	127-1175	1	Fork
12:3	2412-34	2	Clamp-Hose



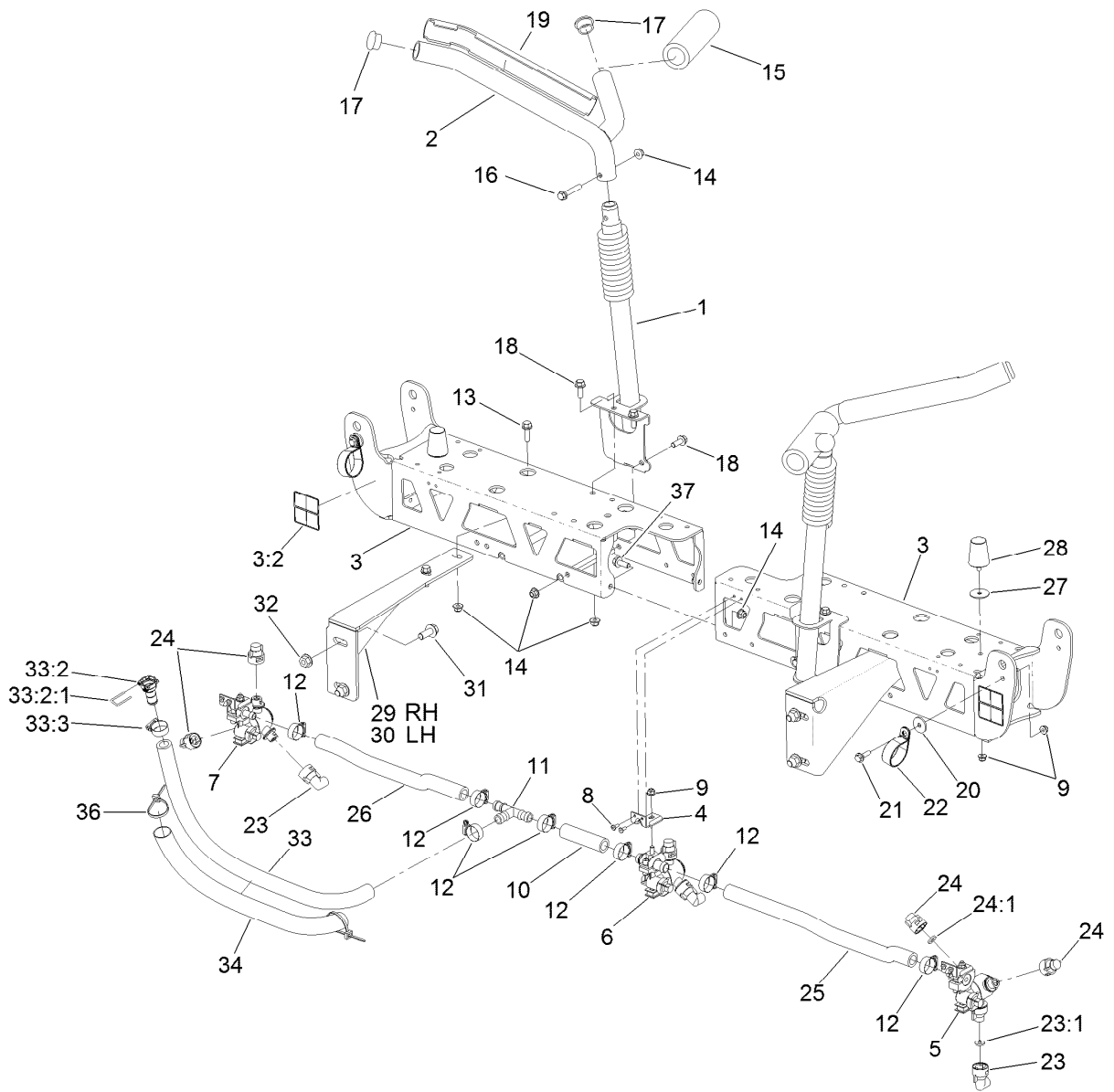
Main Wiring Harness and Battery Assembly

Ref.	Part Number	Qty.	Description	Ref.	Part Number	Qty.	Description
1	99-7430	3	Relay-Mini	18:2	109-2407	1	Insulator-Battery
2	99-7435	1	Relay	19	122-0431	1	Harness-Wire
3	125-8067	1	Plug-Plastic	19:14	94-6710	1	Fuse-2 Amp
4	117-2382	3	Plug-Plastic	19:16	114241	3	Fuse-Blade, 7.5 Amp
5	125-0908-03	1	Base-Battery	19:17	218-578	1	Fuse-Blade, 10 Amp
6	3234-1	2	Screw-HHF	19:18	109355	2	Fuse-Blade, 15 Amp
7	105-4886	2	Nut-Tinnerman	19:19	32180-043	2	Resistor-120 Ohm
8	3255-8	1	Washer-Lock	19:24	109103	1	Fuse-Blade, 30 Amp
9	3256-23	1	Washer-Plain	20	42862	1	Block-Terminal, Ground
10	32128-25	1	Nut-HF	21	108-9455	1	Harness-Wire, Fusible Link
11	322-3	1	Screw-HH	22	127-3942	1	Decal-Fuse Block
12	106948	1	Tray-Battery	23	3296-2	5	Nut-Lock, NI
13	104-8162	1	Battery	24	32105-13	5	Screw-HWH
14	100-6434	1	Rod-Hold Down, Battery	25	108-8657	1	Harness-Wire, Seat
15	100-6435	2	Post-Battery	26	3290-379	2	Tie-Cable
16	119-6897	2	Nut-Flange, Hex	27	42863	1	Strip-Jumper
17	122-0137	1	Cable-Battery, Negative	28	104-8300	2	Nut-HF, NI
18	109-7621	1	Positive Battery Cable ASM	29	3230-1	2	Bolt-CARR
18:1	1-543393	1	Insulator-Solenoid				



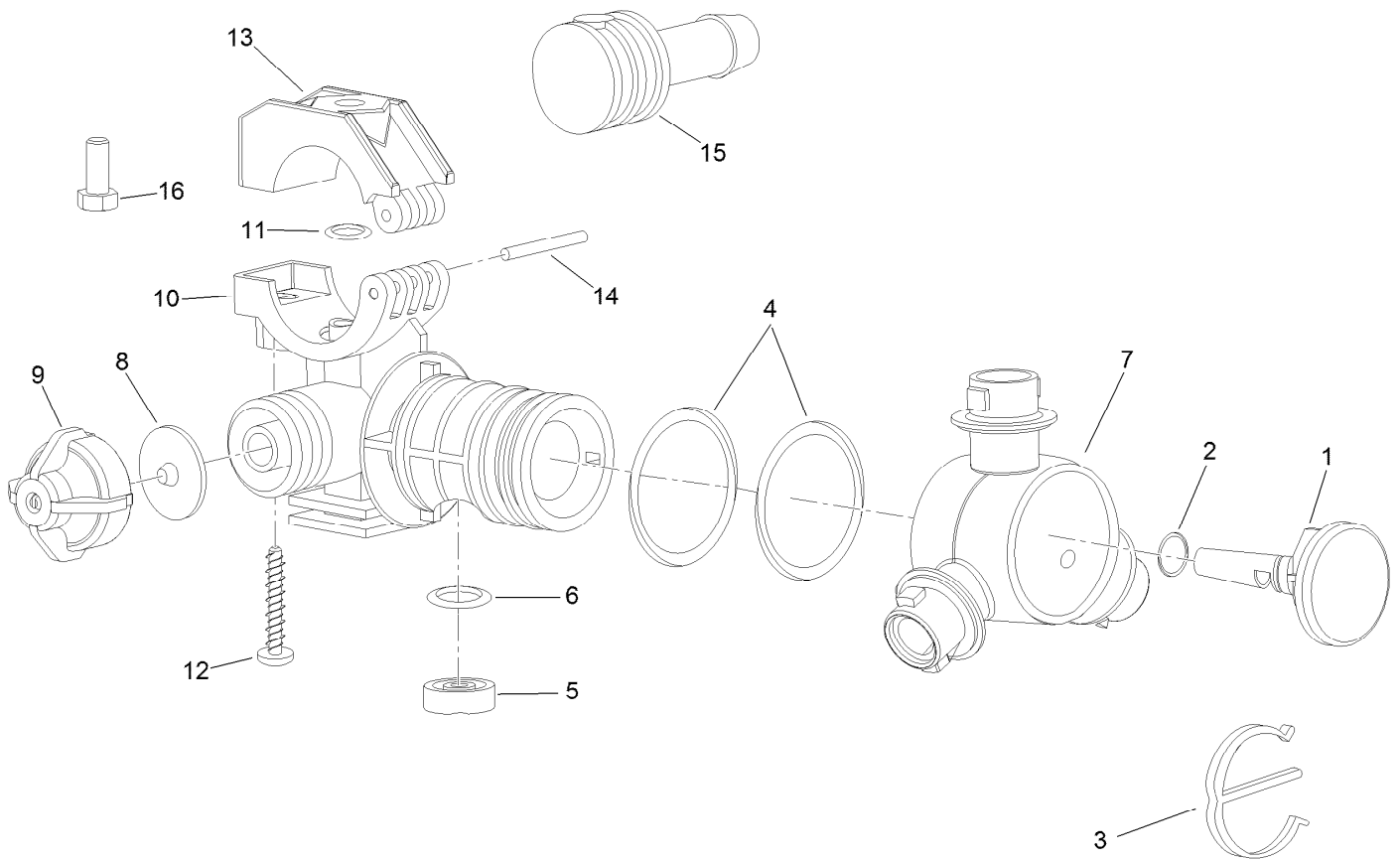
Center Boom Mount Assembly

Ref.	Part Number	Qty.	Description	Ref.	Part Number	Qty.	Description
1	130-8238-03	2	Lower Cradle ASM	20	108-3743	2	Washer
2	108-3476-03	2	Cradle-Upper	21	108-3744	2	Screw-Shoulder
3	131-7268	2	Boom-Outer	22	114-9566	2	Clamp-R
3:2	120-0617	2	Decal-Warning, Pinch, Crush	23	95-9186	3	Cap
4	107-8775-03	3	Bracket-Nozzle Mount	23:1	40998	1	Seat-Gasket
5	108-3725	1	LH Single Body Turret ASM	24	95-9187	6	Cap-Blank
6	108-3727	1	Double Turret Body ASM	24:1	40998	1	Seat-Gasket
7	108-3726	1	RH Single Body Turret ASM	25	108-3735	1	Hose-Boom, Center (LH)
8	114439	6	Rivet-Blind	26	108-3718	1	Hose-Boom, Center (RH)
9	104-8300	7	Nut-HF, NI	27	3256-68	2	Washer-Flat
10	108-3717	1	Hose-Boom	28	110-5070	2	Bumper
11	108-3439	1	Tee	29	130-8244-03	1	Mount-Boom, RH
12	2412-129	7	Clamp-Hose	30	130-8245-03	1	Mount-Boom, LH
13	110-5050	4	Screw-HHF	31	110-5057	4	Capscrew-HHF
14	104-8301	14	Nut-HF, NI	32	108-3745	4	Nut-HHF, Whiz
15	108-3457	2	Spacer	33	132-4323	1	Hose-Boom, Center
16	108-3742	2	Screw-HHF	33:2	127-9807	1	Straight Fitting Kit
17	108-3489	4	Cap-Tube	33:2:1	127-1175	1	Fork
18	110-5052	6	Screw-HHF	33:3	2412-129	1	Clamp-Hose
19	108-3495	2	Cover-Slide	34	127-3923	1	Conduit-Convolved



Center Boom Mount Assembly (continued)

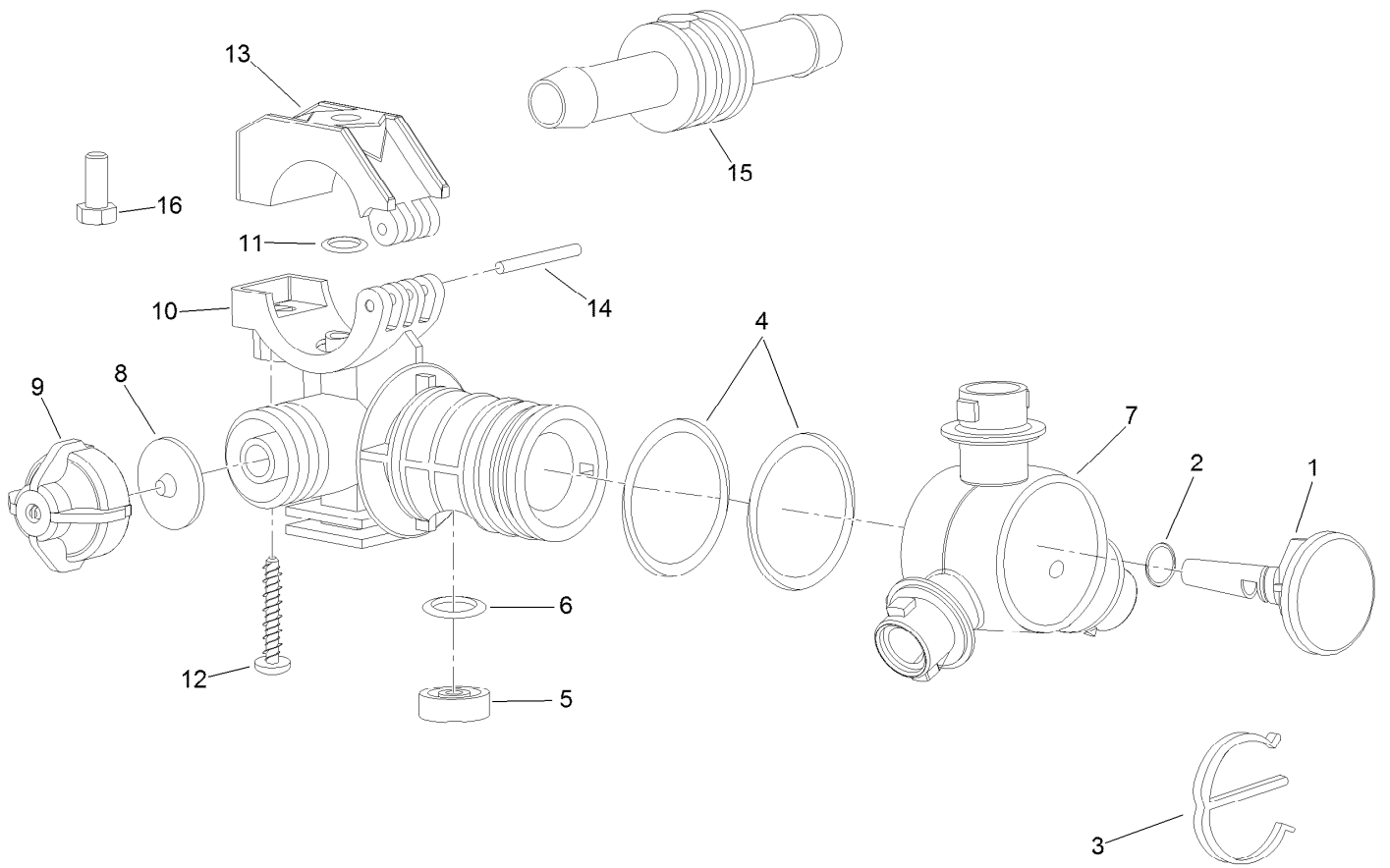
Ref.	Part Number	Qty.	Description
36	3290-378	2	Tie-Cable
37	3234-42	2	Screw-HHF



LH Single Turret Body Assembly No. 108-3725

<i>Ref.</i>	<i>Part Number</i>	<i>Qty.</i>	<i>Description</i>
1	95-9200	1	Plug
2	95-9198	1	O-Ring
3	95-9197	1	E-Clip
4	95-9199	2	O-Ring
5	108-3264	1	Seal-Viton
6	108-3265	1	O-Ring-Viton
7	95-9196	1	Turret
8	41003	1	Diaphragm

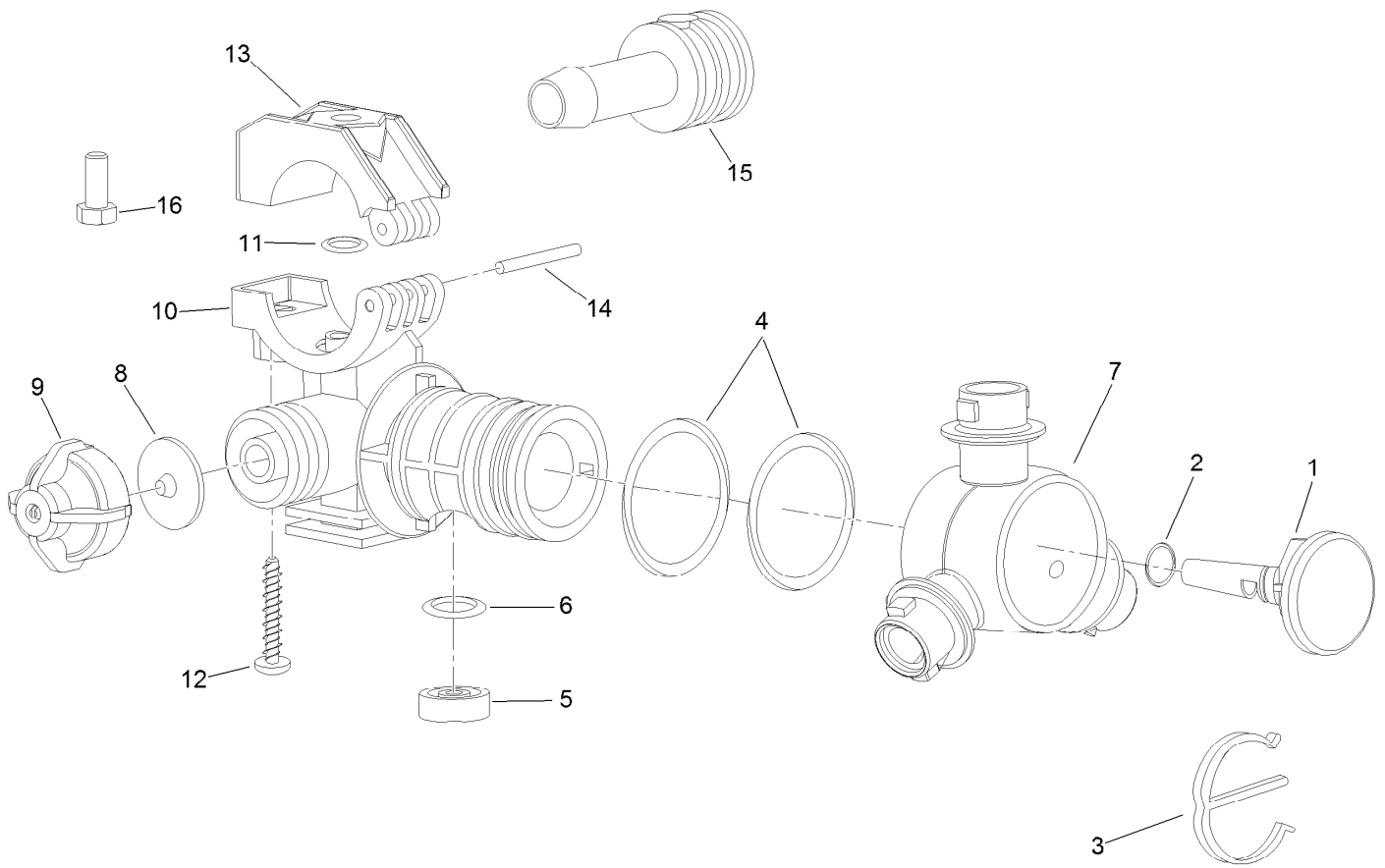
<i>Ref.</i>	<i>Part Number</i>	<i>Qty.</i>	<i>Description</i>
9	95-9193	1	Cap-Diaphragm
10	95-9192	1	Body-Split Eyelet
11	95-9191	1	O-Ring
12	99-0811	1	Screw-Clamp
13	99-0812	1	Clamp-Upper
14	99-0814	1	Pin-Pivot
15	95-9201	1	Shank-Hose
16	322-3	1	Screw-HH



Double Turret Body Assembly No. 108-3727

Ref.	Part Number	Qty.	Description
1	95-9200	1	Plug
2	95-9198	1	O-Ring
3	95-9197	1	E-Clip
4	95-9199	2	O-Ring
5	108-3264	1	Seal-Viton
6	108-3265	1	O-Ring-Viton
7	95-9196	1	Turret
8	41003	1	Diaphragm

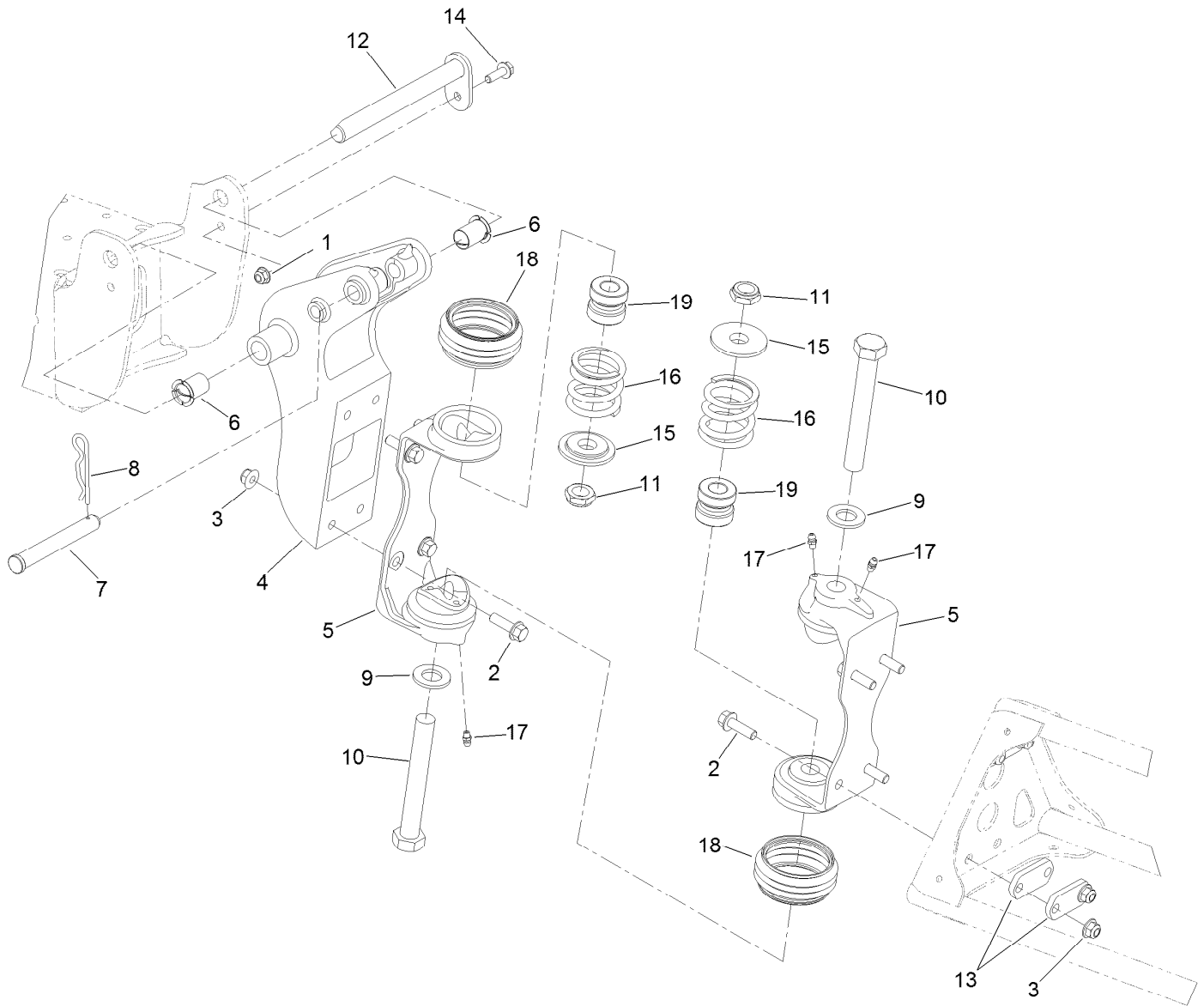
Ref.	Part Number	Qty.	Description
9	95-9193	1	Cap-Diaphragm
10	95-9192	1	Body-Split Eyelet
11	95-9191	1	O-Ring
12	99-0811	1	Screw-Clamp
13	99-0812	1	Clamp-Upper
14	99-0814	1	Pin-Pivot
15	95-9202	1	Shank-Hose
16	322-3	1	Screw-HH



RH Single Body Turret Assembly No. 108-3726

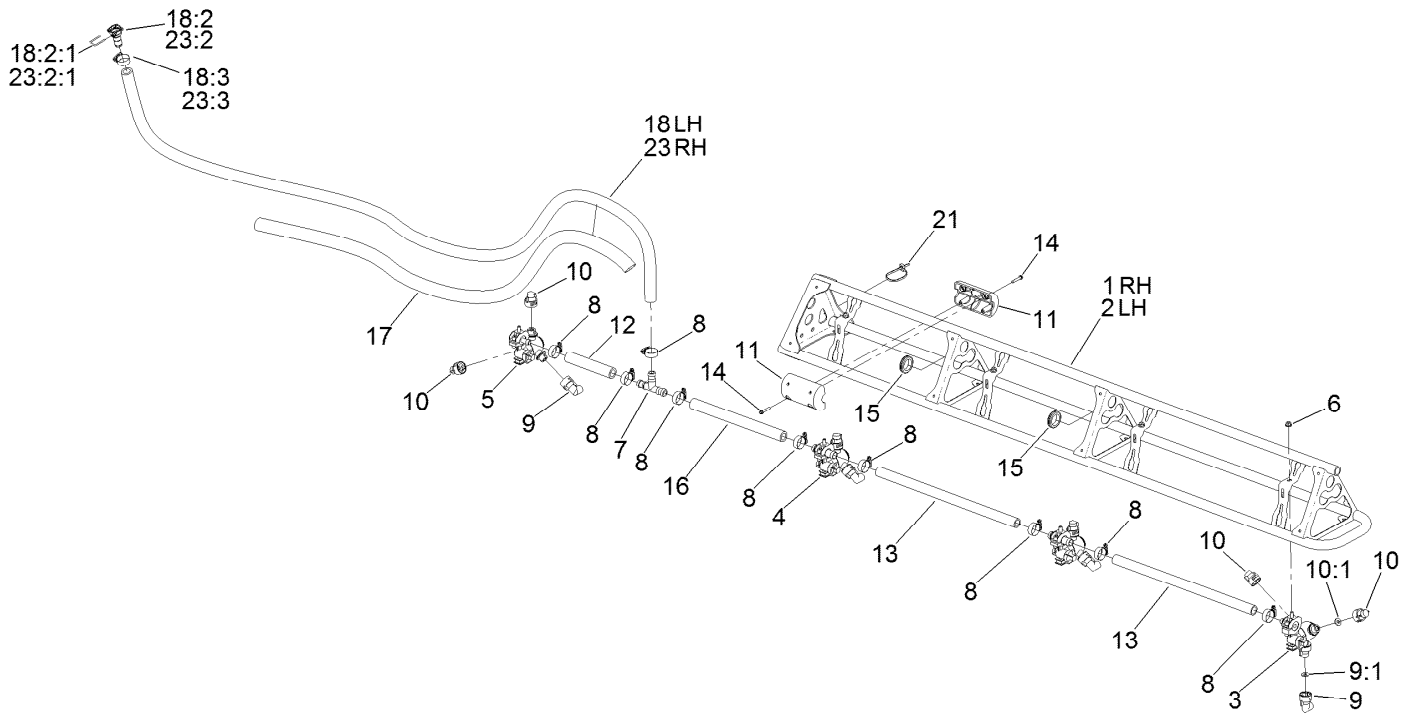
<i>Ref.</i>	<i>Part Number</i>	<i>Qty.</i>	<i>Description</i>
1	95-9200	1	Plug
2	95-9198	1	O-Ring
3	95-9197	1	E-Clip
4	95-9199	2	O-Ring
5	108-3264	1	Seal-Viton
6	108-3265	1	O-Ring-Viton
7	95-9196	1	Turret
8	41003	1	Diaphragm

<i>Ref.</i>	<i>Part Number</i>	<i>Qty.</i>	<i>Description</i>
9	95-9193	1	Cap-Diaphragm
10	95-9192	1	Body-Split Eyelet
11	95-9191	1	O-Ring
12	99-0811	1	Screw-Clamp
13	99-0812	1	Clamp-Upper
14	99-0814	1	Pin-Pivot
15	95-9201	1	Shank-Hose
16	322-3	1	Screw-HH



Boom Pivot Assembly

<i>Ref.</i>	<i>Part Number</i>	<i>Qty.</i>	<i>Description</i>	<i>Ref.</i>	<i>Part Number</i>	<i>Qty.</i>	<i>Description</i>
1	104-8300	2	Nut-HF, NI	11	3296-15	4	Nut-Lock, NI
2	110-5050	16	Screw-HHF	12	108-3419	2	Pivot Pin ASM
3	104-8301	16	Nut-HF, NI	13	108-3605	8	Plate-Backing
4	119-4993-03	2	Bracket-Pivot	14	108-3748	2	Screw-HHF
5	108-3471-03	4	Hinge	15	108-3444	4	Retainer-Spring
6	100-8541	4	Bushing-A Arm	16	108-3440	4	Spring-Breakaway, Boom
7	108-3436	2	Pin-Clevis	17	302-5	8	Fitting-Grease
8	3290-468	2	Pin-Cotter	18	108-3459	4	Boot-Hinge
9	110-5054	4	Washer-Flat	19	120-8541	4	Dampener-Hinge
10	108-3738	4	Screw-HH				



Left and Right Hand Boom Assembly

Ref.	Part Number	Qty.	Description	Ref.	Part Number	Qty.	Description
1	108-3524-03	1	Boom-RH	13	40506	4	Hose-Jumper
2	108-3525-03	1	Boom-LH	14	119-9369	8	Screw-HHF
3	108-3725	2	LH Single Body Turret ASM	15	240-3	4	Grommet-Rubber
4	108-3727	4	Double Turret Body ASM	16	108-3721	2	Hose-Boom
5	108-3726	2	RH Single Body Turret ASM	17	107-8650	2	Conduit-Convolutd
6	104-8300	8	Nut-HF, NI	18	132-4322	1	Hose-Boom
7	108-3439	2	Tee	18:2	127-9807	1	Straight Fitting Kit
8	2412-129	18	Clamp-Hose	18:2:1	127-1175	1	Fork
9	95-9186	8	Cap	18:3	2412-129	1	Clamp-Hose
9:1	40998	1	Seat-Gasket	21	3290-378	6	Tie-Cable
10	95-9187	16	Cap-Blank	23	132-4324	1	Hose-Boom
10:1	40998	1	Seat-Gasket	23:2	127-9807	1	Straight Fitting Kit
11	119-9368	4	Block Slide	23:2:1	127-1175	1	Fork
12	108-3728	2	Hose-Boom	23:3	2412-129	1	Clamp-Hose

Attachments and Accessories

For 41188 Multi Pro 1750 Turf Sprayer

Product Name	Model/Part
Premium ATF (Drum).....	108-1185
Premium ATF (Pail)	108-1186
Premium All Purpose Grease (Tube)	108-1190
License Plate Kit.....	120-8506
Covered Boom Spring Upgrade Kit.....	120-8508
Premium Engine Oil 10w30 (55 Gallon Drum)	121-6392
Premium Engine Oil 10w30 (5 Gallon Pail)	121-6393
Foam Marker Finishing Kit.....	125-8120
Lance Suction Assembly	127-9826
Sonic Boom Finish Kit.....	130-8227
Universal Sunshade	30349
Rear Work Light Kit.....	41010
Single Nozzle Kit.....	41023
Hand Spray Wand Kit	41118
EU Compliance Kit.....	41155
Pro Foam Concentrate (4 x 1 Gallon)	41157
Chemical Pre-Mix Kit	41158
Electric Hose Reel Kit	41159
CE Kit	41202
Tank Clean Rinse Kit	41208
Ultra Sonic Boom Leveling Kit	41219
Foam Marker Kit	41232
Road Light and Homologation Kit	41250
Drift Reduction Boom Shroud Kit.....	41602
Pro-Foam.....	41607
CDMA RTK Correction Modem Kit, GeoLink Precision Spray System	41624
GSM RTK Correction Modem Kit, GeoLink Precision Spray System.....	41625
GeoLink Reference Antenna Kit	41626
X25 GeoLink Precision Spray System Kit, Serial Number 315000001 and After Multi Pro 1750 or 5800 Turf Sprayer.....	41630
X25 GeoLink Precision Spray System Finishing Kit, Serial Number 315000001 and After Multi Pro 1750 Turf Sprayer.....	41631
Spark Arrestor Screen	94-8157

Notes:

Notes:



Count on it.