



Count on it.

Parts Catalog

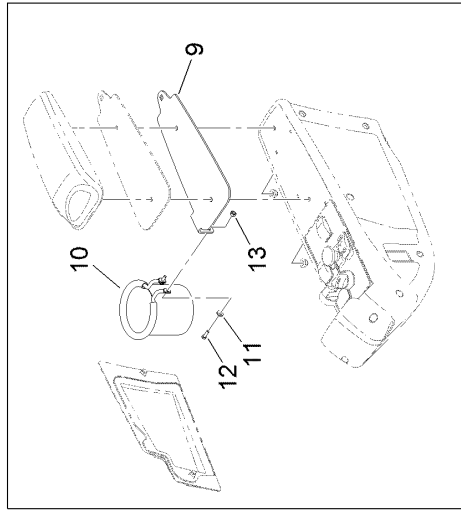
Storage Bag Kit

**Groundsmaster® 3200 or 3300 Series
Traction Unit**

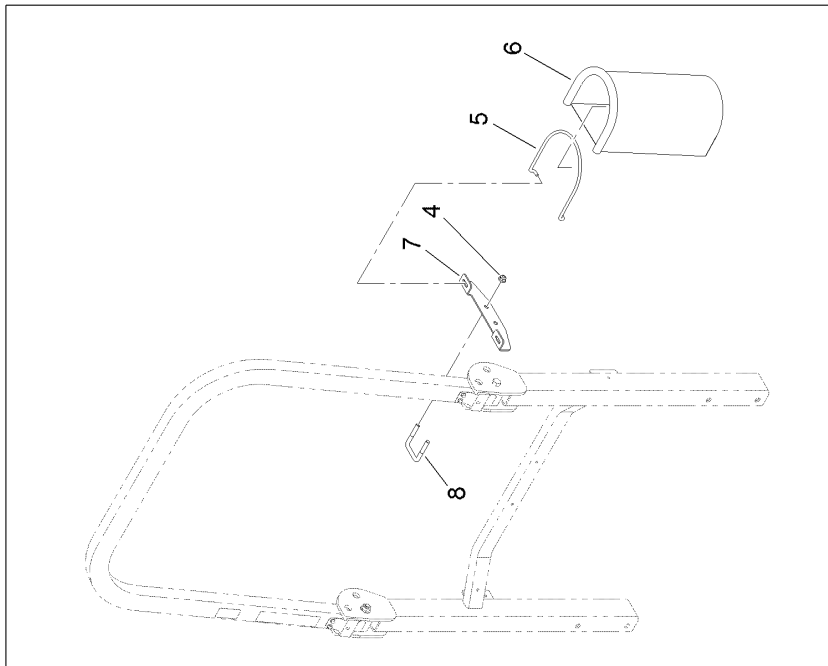
Model No. 139-2020



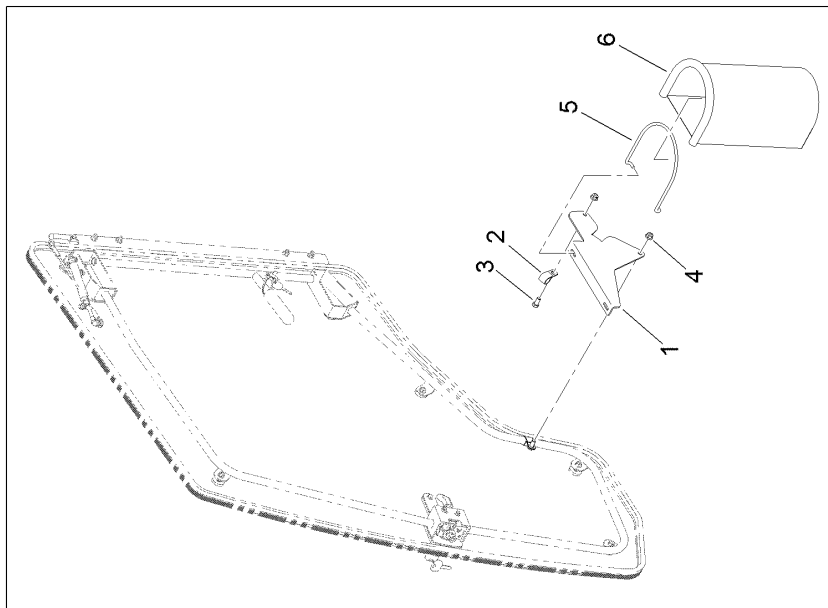
Storage Bag Kit Assembly No. 139-2020



ARMREST



ROPS MODEL
MOUNT BAG TO LEFT SIDE OF ROPS



CAB MODEL
RIGHT SIDE DOOR SHOWN

Storage Bag Kit Assembly No. 139-2020 (continued)

<i>Ref.</i>	<i>Part Number</i>	<i>Qty.</i>	<i>Description</i>	<i>Ref.</i>	<i>Part Number</i>	<i>Qty.</i>	<i>Description</i>
1	139-2018-03	1	Bracket-Mount, Trash	8	140-4417	1	U-Bolt
2	2412-4	2	Clamp-R	9	139-2239-03	1	Panel-Control Arm
3	323-4	2	Screw-HH	10	117-2378	1	Holder-Bag
4	104-8301	2	Nut-HF, NI	11	3256-14	2	Washer-Flat
5	117-0546	1	Rod-Bag, Trash	12	3290-134	2	Screw
6	103-5971	1	Bag-Trash	13	3296-2	2	Nut-Lock, NI
7	139-2238-03	1	Bracket-Mount, Trash				



Count on it.