



Storage Bag Kit

Groundsmaster® 3200 or 3300 Series Traction Unit

Model No. 139-2020

Installation Instructions

Installation

Loose Parts

Use the chart below to verify that all parts have been shipped.

Procedure	Description	Qty.	Use
1	No parts required	–	Prepare the machine.
2	Large bracket mount Hex-head screw (3/8 x 3/4 inch) Locknut (3/8 inch) R-clamp Trash bag Trash bag rod	1 2 2 2 1 1	Install the trash bag to a cab door.
3	Small bracket mount Locknut (3/8 inch) Trash bag Trash bag rod U-bolt	1 2 1 1 2	Install the trash bag to a rollbar.
4	Armrest bracket Drink holder Flat washer Hex-head screw (#10 x 5/8 inch) Locknut (#10)	1 1 2 2 2	Install the drink holder to the arm rest.

1

Preparing the Machine

No Parts Required

Preparing the Machine

1. Park the machine on a level surface.
2. Lower all attachments (if equipped).
3. Engage the parking brake.
4. Shut off the engine and remove the key.



2

Installing the Trash Bag to a Cab Door

Parts needed for this procedure:

1	Large bracket mount
2	Hex-head screw (3/8 x 3/4 inch)
2	Locknut (3/8 inch)
2	R-clamp
1	Trash bag
1	Trash bag rod

Procedure

1. Install the bag rod into the trash bag.
2. Install the R-clamps to the door ([Figure 1](#)).

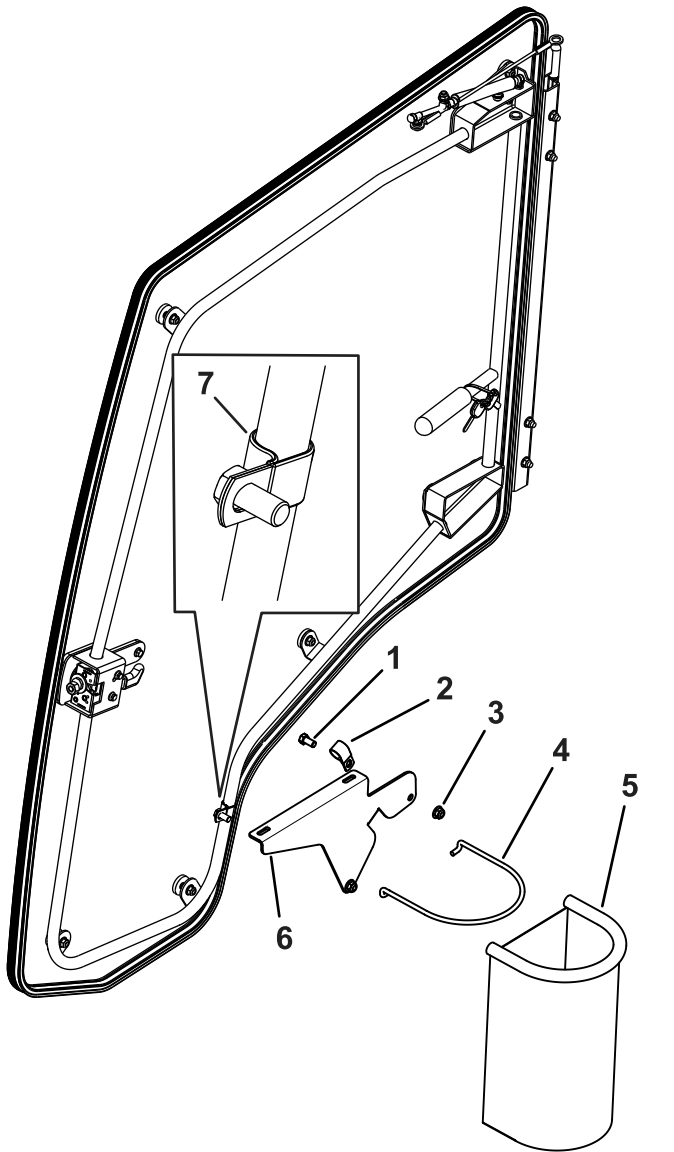


Figure 1

- | | |
|--------------------------|----------------------|
| 1. Bolt (3/8 x 3/4 inch) | 5. Trash bag |
| 2. R-clamp | 6. Large bracket |
| 3. Locknut (3/8 inch) | 7. R-clamp installed |
| 4. Bag rod | |

3. Loosely secure the large bracket to the door with 2 bolts (3/8 x 3/4 inch) and 2 locknuts (3/8 inch) as shown in [Figure 1](#).
4. Position the bracket on the door so it does not interfere with machine ([Figure 1](#)).
5. Tighten the bolts that secure the large bracket ([Figure 1](#)).
6. Install the trash bag and rod into the large bracket ([Figure 1](#)).

3

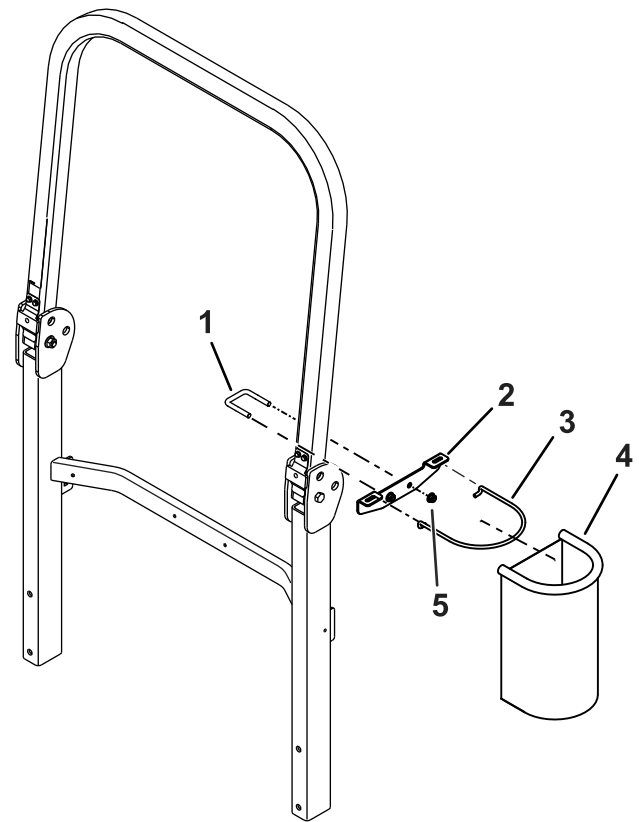
Installing the Trash Bag to a Rollbar

Parts needed for this procedure:

1	Small bracket mount
2	Locknut (3/8 inch)
1	Trash bag
1	Trash bag rod
2	U-bolt

Procedure

1. Install the bag rod into the trash bag.
2. Loosely secure the small bracket to the rollbar with a U-bolt and 2 locknuts (3/8 inch) as shown in [Figure 2](#).
3. Position the bracket on the rollbar so it does not interfere with machine ([Figure 2](#)).



g308013

Figure 2

1. U-bolt
2. Small bracket
3. Bag rod
4. Trash bag
5. Locknut (3/8 inch)

4. Tighten the U-bolt that secures the small bracket ([Figure 2](#)).
5. Install the trash bag and rod into the small bracket ([Figure 2](#)).

4

5. Install the armrest panel (Figure 3).

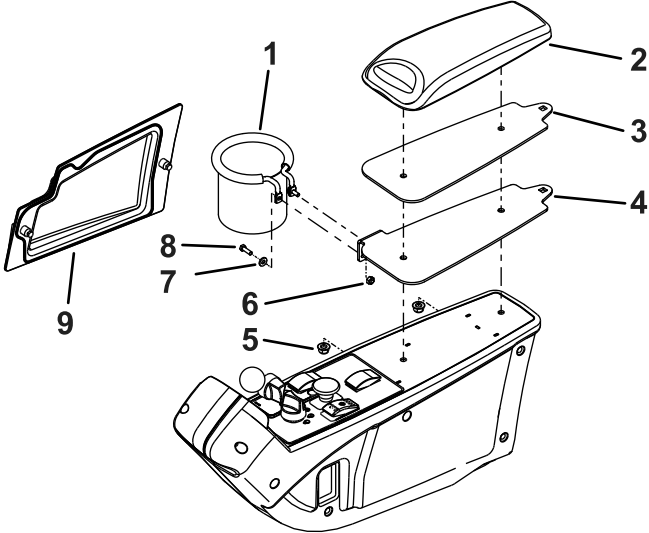
Installing the Drink Holder to the Arm Rest

Parts needed for this procedure:

1	Armrest bracket
1	Drink holder
2	Flat washer
2	Hex-head screw (#10 x 5/8 inch)
2	Locknut (#10)

Procedure

1. Remove the armrest panel to gain access to the armrest hardware (Figure 3).



g308014

Figure 3

- | | |
|-------------------------------------|--------------------------|
| 1. Drink holder | 6. Locknut (#10) |
| 2. Armrest pad | 7. Flat washer |
| 3. Existing armrest bracket—discard | 8. Bolt (#10 x 5/8 inch) |
| 4. Armrest bracket | 9. Armrest panel |
| 5. Nut | |

2. Remove the nuts holding the armrest pad. Discard the existing armrest bracket (Figure 3).
3. Install the new armrest bracket and armrest pad to the armrest with the previously removed nuts (Figure 3).
4. Install the drink holder to the armrest bracket with 2 bolts (#10 x 5/8 inch), 2 washers, and 2 locknuts (#10) as shown in Figure 3.