



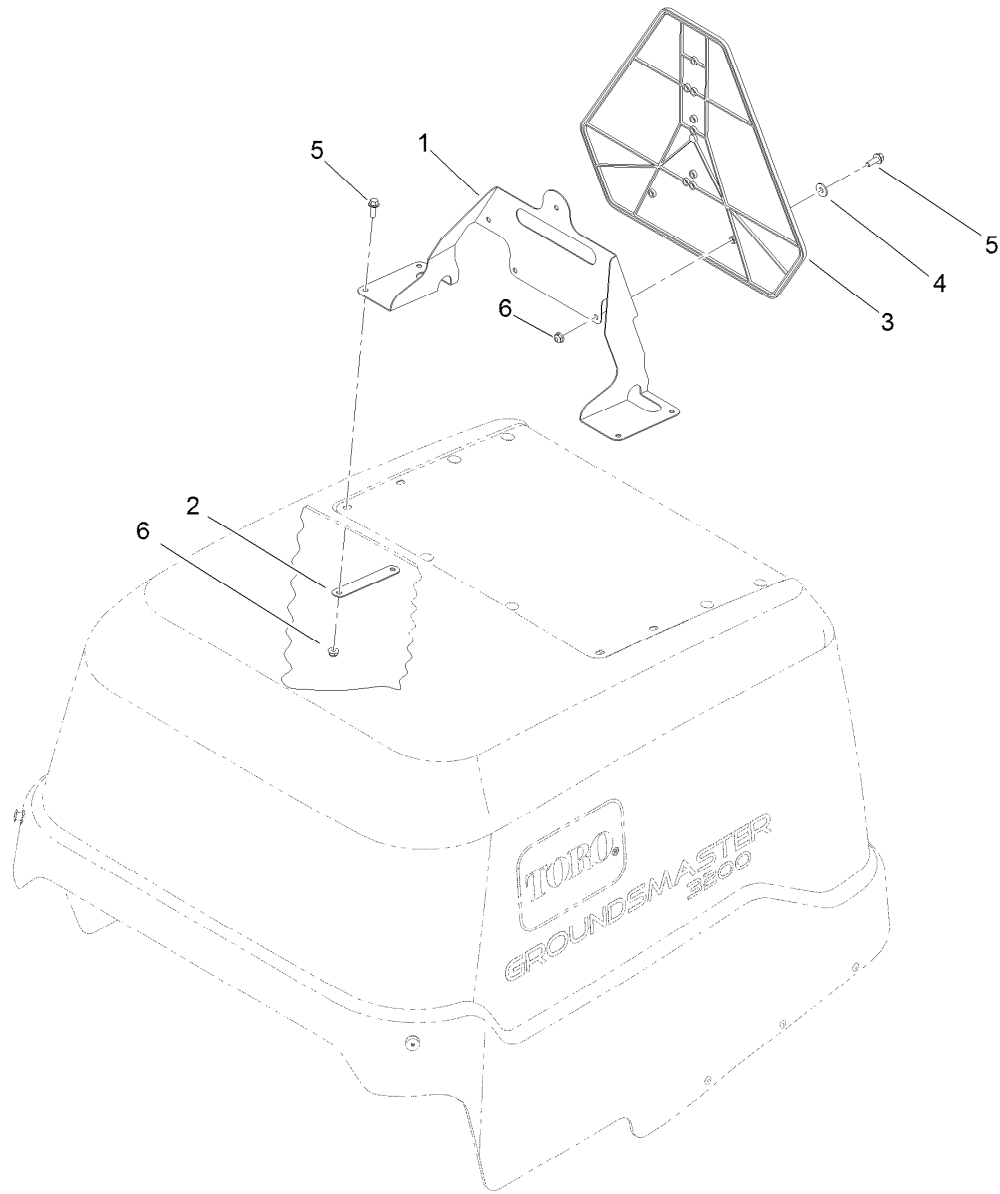
Count on it.

Parts Catalog

**Slow Moving Vehicle Kit
Groundsmaster® 3200 or 3300 Series
Traction Unit**

Model No. 139-2339





Slow Moving Kit Assembly No. 139-2339

<i>Ref.</i>	<i>Part Number</i>	<i>Qty.</i>	<i>Description</i>
1	139-2338-03	1	Mount-Marker
2	139-2340	2	Mount-Back
3	92-7760	1	Emblem-Vehicle, Slow Moving
4	3256-78	5	Washer-Flat
5	3234-4	7	Screw-HHF
6	104-7201	7	Nut-HF