



Slow-Moving Vehicle Kit

Groundsmaster® 3200 or 3300 Series Traction Unit

Model No. 139-2339

Installation Instructions

Installation

1

Preparing the Machine

No Parts Required

Procedure

1. Park the machine on a level surface.
2. Engage the parking brake.
3. Lower the cutting unit.
4. Shut off the engine and remove the key.

2

Installing the Sign

Parts needed for this procedure:

1	Slow-moving vehicle sign
1	Sign mount
2	Bottom mount
5	Flat washer
7	Flange-head bolt (1/4 x 3/4 inch)
7	Locknut (1/4 inch)

Procedure

1. Remove 4 plastic rivets from the hood as shown in [Figure 1](#).

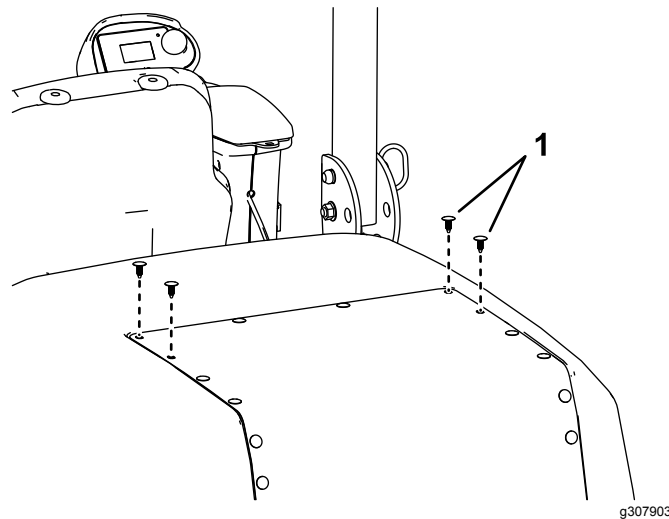


Figure 1

1. Plastic rivets



2. Align the sign mount to the hood in the same location as plastic rivets removed in step 1 (Figure 2).
3. Install the sign mount using 4 flange-head bolts (1/4 x 3/4 inch) on top of the hood, and 2 bottom mounts and 4 locknuts (1/4 inch) on the bottom of the hood (Figure 2).

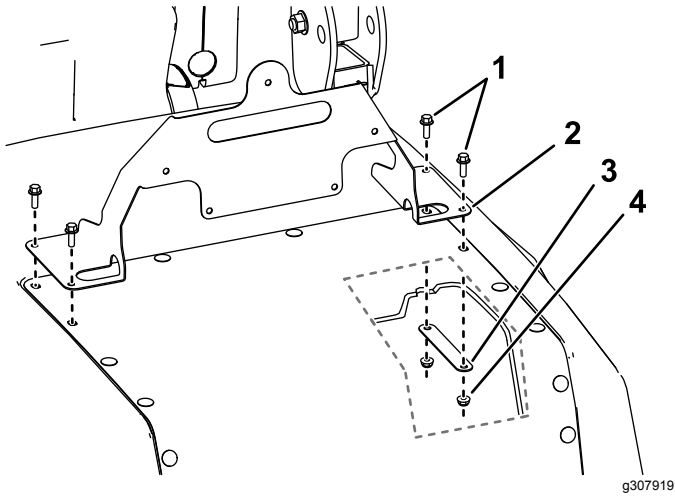


Figure 2

- | | |
|---------------------------------------|-----------------------|
| 1. Flange-head bolts (1/4 x 3/4 inch) | 3. Bottom mount |
| 2. Sign mount | 4. Locknut (1/4 inch) |

4. Install the slow-moving vehicle sign as shown in Figure 3.

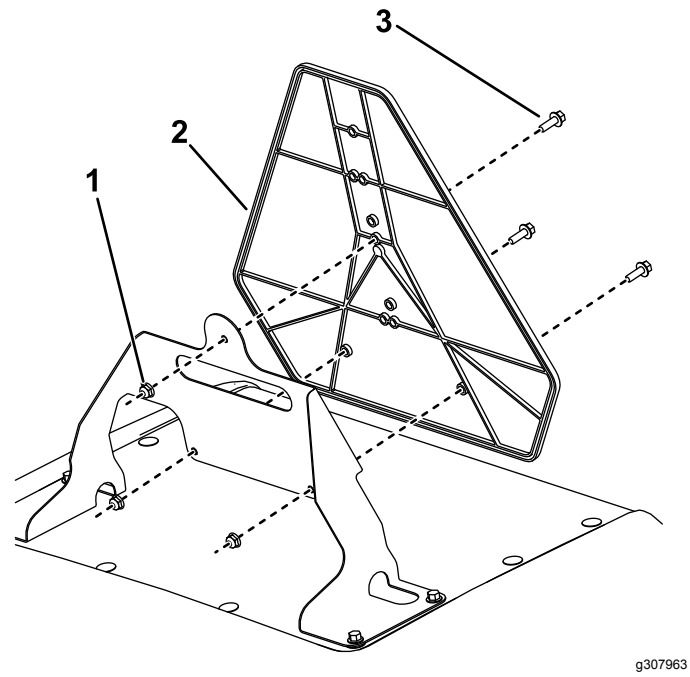


Figure 3

- | | |
|---------------------------------------|-----------------------|
| 1. Flange-head bolts (1/4 x 3/4 inch) | 3. Locknut (1/4 inch) |
| 2. Slow-moving vehicle sign | |