



Count on it.

Parts Catalog

**Power Clear® 721 R-C
Commercial Snowthrower**

Model No. 38754—Serial No. 40000000 and Up



Ordering Replacement Parts

To order replacement parts, please supply the part number, the quantity, and the description of each part desired.

Understanding Reference Numbers

Each identified part in an illustration has a reference number. The reference number for a part also appears in the parts list, along with other information about the part.

This catalog uses two special reference number formats, one to indicate parts in a service assembly and another to indicate the quantity of a given part in an illustration.

Service Assembly Reference Numbers

Parts in service assemblies have reference numbers in the form a:b. The a represents the reference number of the entire service assembly and the b represents a sequential number unique to each part within the service assembly.

For example, a wheel assembly might be identified by reference number 6, the tire by 6:1, the valve by 6:2, and the wheel by 6:3. When you order the assembly identified by reference number 6, you receive all parts identified by reference numbers 6:1, 6:2, and 6:3. However, you may also order any part individually. Reference numbers of this type appear in illustration and in parts lists.

Reference Numbers Indicating Quantity

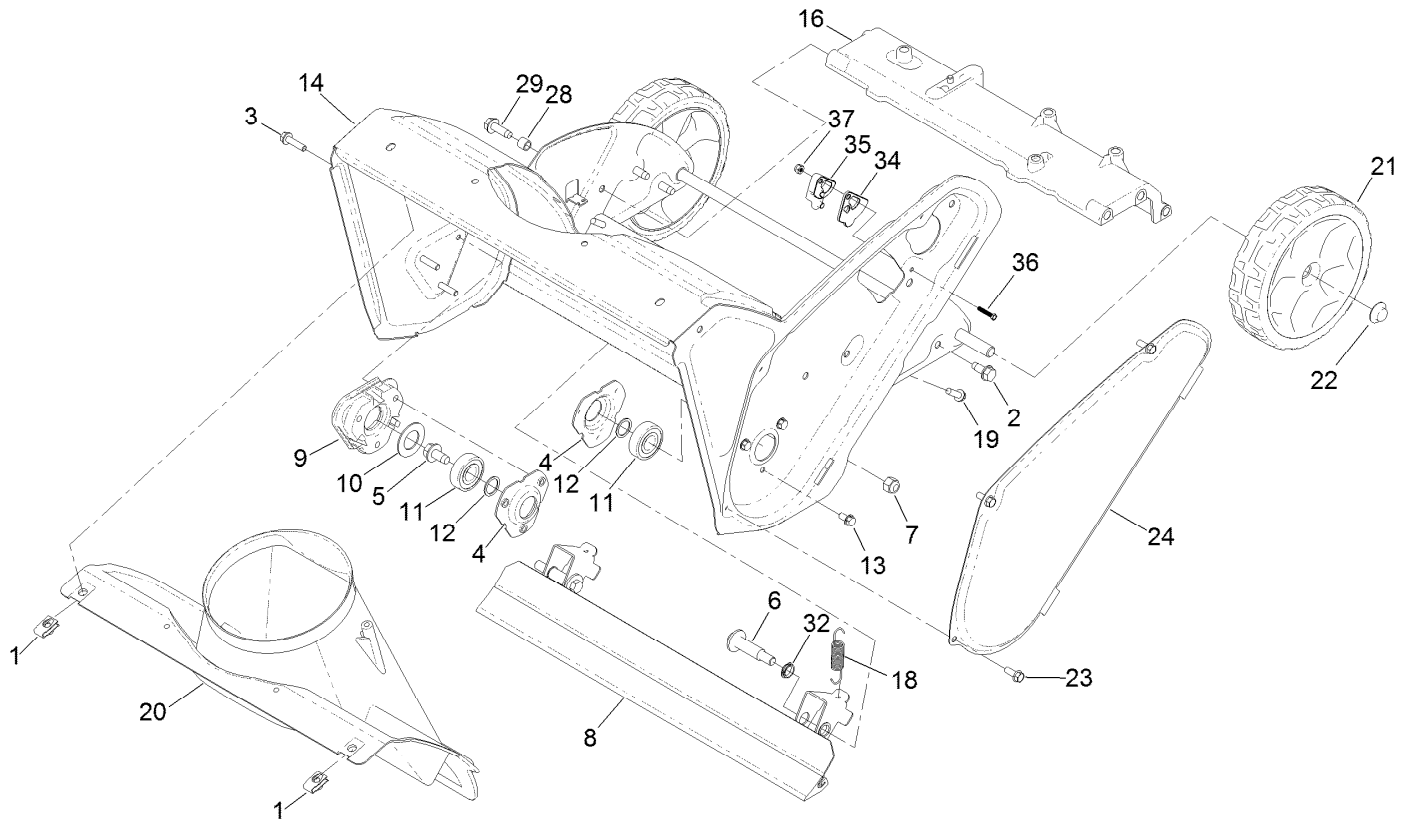
In an illustration, if a reference number indicates more than one part, the reference number has the form nX y. The n represents the quantity of the part, the X is the multiplication symbol, and the y represents the reference number.

For example, in an illustration, the reference number 2X 37 means that two of the parts identified by reference number 37 are indicated.

Contents

Chute and Wheel Assembly	4
Rotor Drive Assembly	6
Rotor Assembly	8
Engine Assembly	10
Fuel System and Carburetor Assembly	12
Intake and Exhaust Assembly	14
Ignition and Electrical Assembly	16
Crankcase Assembly	18
Governor Assembly	20
Piston and Head Assembly	22
Blower Housing and Shrouds Assembly	24
Shroud and Chute Assembly	26
Handle Assembly	28
Attachments and Accessories	30

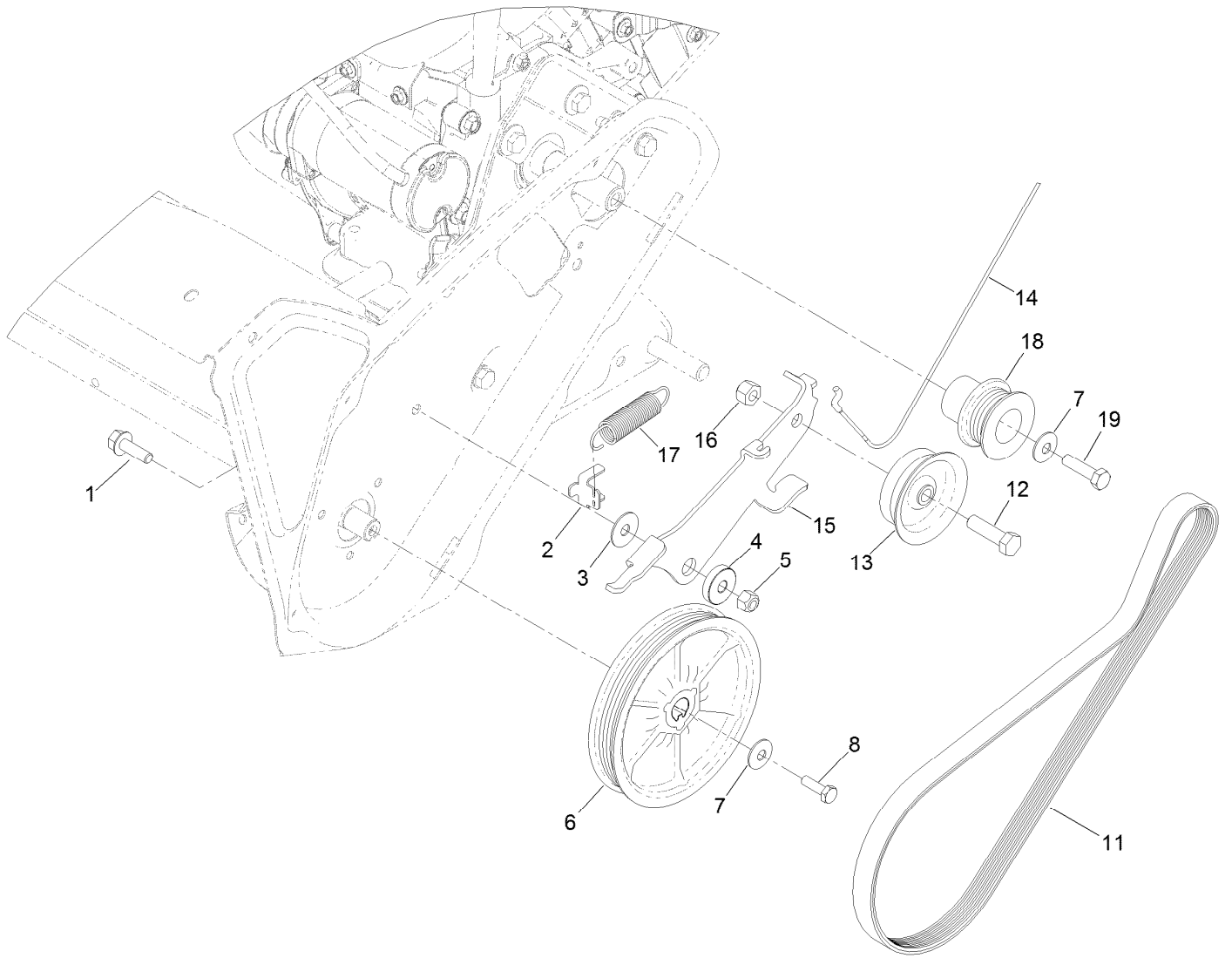
Chute and Wheel Assembly



Chute and Wheel Assembly (continued)

<i>Ref.</i>	<i>Part Number</i>	<i>Qty.</i>	<i>Description</i>	<i>Ref.</i>	<i>Part Number</i>	<i>Qty.</i>	<i>Description</i>
1	107069	2	Clip	18	108-4906	2	Spring-Extension
2	32144-11	4	Screw-HWH	19	46-8091	3	Screw-HWH
3	32144-86	3	Screw-HWHTF	20	108-4871	1	Chute-Lower
4	136-7134	2	Flange-Bearing	21	138-8783	2	Wheel ASM, 7 Inch
5	110-9380	1	Screw-HWH	22	32112-14	2	Nut-Push
6	136-7198	2	Bolt-Shoulder	23	32144-85	3	Screw-HWH
7	3296-39	2	Nut-Lock, NI	24	108-4893-03	1	Cover-Belt
8	139-3536	1	Scraper ASM	28	136-7148	2	Spacer-Grommet
9	114-3781	1	Spacer-Bearing, RH	29	130-9795	2	Screw-HWHTF
10	110-9353	1	Washer-Rubber	32	139-3509	4	Bushing-Nyliner
11	38-7820	2	Bearing-Ball	34	139-3564	1	Cap-Guide, Cable
12	52-7280	2	Washer-Thrust	35	139-3565	1	Guide-Cable
13	32144-4	3	Screw-HWH	36	360-0272	1	Screw, Machine, Nozzle, 8-32 X 7/8"
14	108-4868-03	1	Housing-Auger				
16	130-9765	1	Brace-Frame	37	520-0006	1	Nut-Hex, Nylock

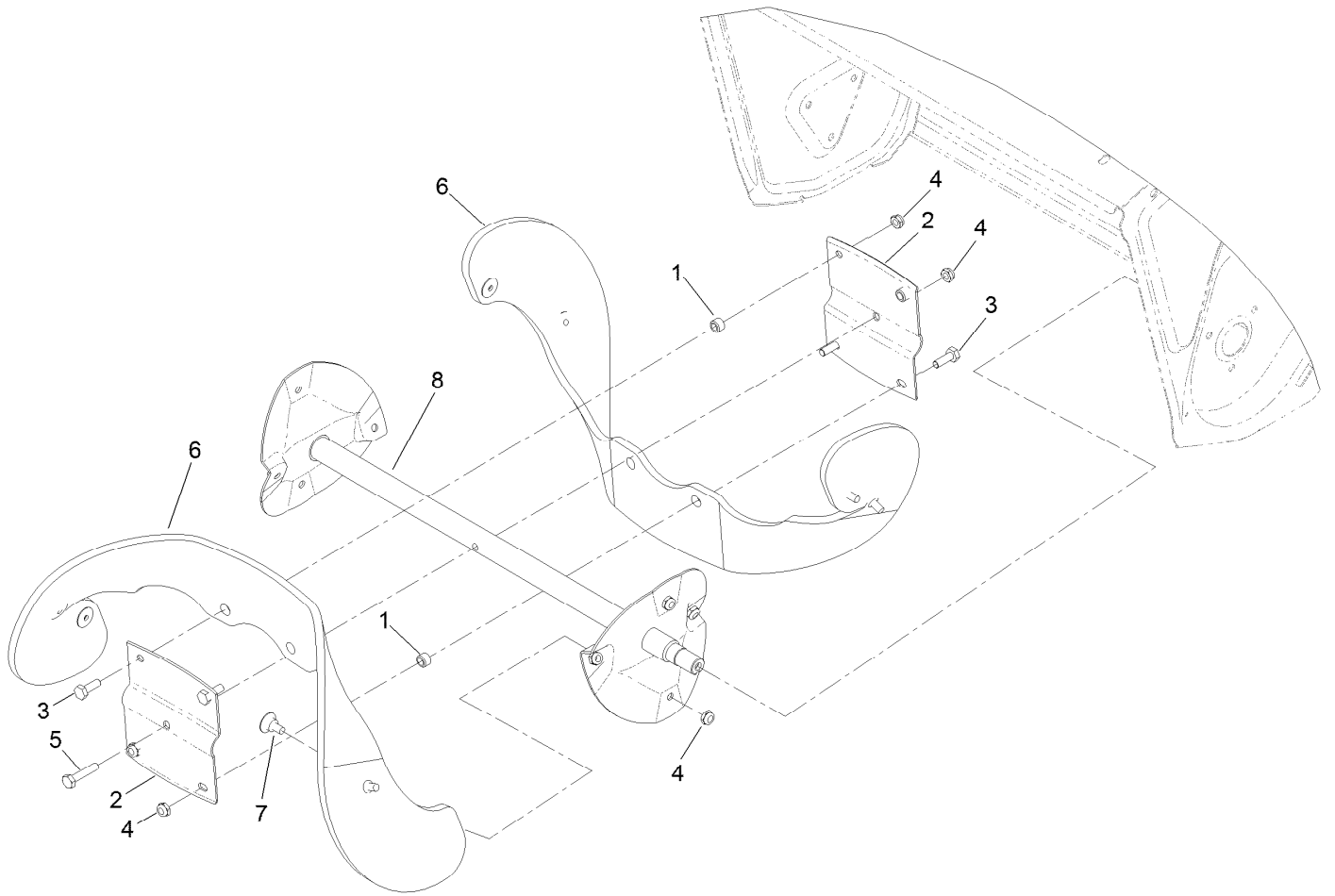
Rotor Drive Assembly



Rotor Drive Assembly (continued)

<i>Ref.</i>	<i>Part Number</i>	<i>Qty.</i>	<i>Description</i>	<i>Ref.</i>	<i>Part Number</i>	<i>Qty.</i>	<i>Description</i>
1	3234-29	1	Screw-HHF	12	323-29	1	Screw-HH
2	136-7133	1	Clip-Spring	13	139-3513	1	Pulley-Idler, Flat
3	108-4925	1	Washer	14	140-1000	1	Cable-Clutch
4	108-4916	1	Bushing-Pivot	15	136-7138	1	Arm-Idler
5	3296-29	1	Nut-Lock, NI	16	32152-2	1	Nut-Lock, Cone
6	138-8720	1	Pulley-Rotor	17	121-6630	1	Spring-Extension
7	3290-456	2	Washer-Belleville	18	138-8722	1	Pulley-Engine
8	140-1002	1	Screw-HH	19	121-6646	1	Screw-HH
11	138-8723	1	Belt-Poly				

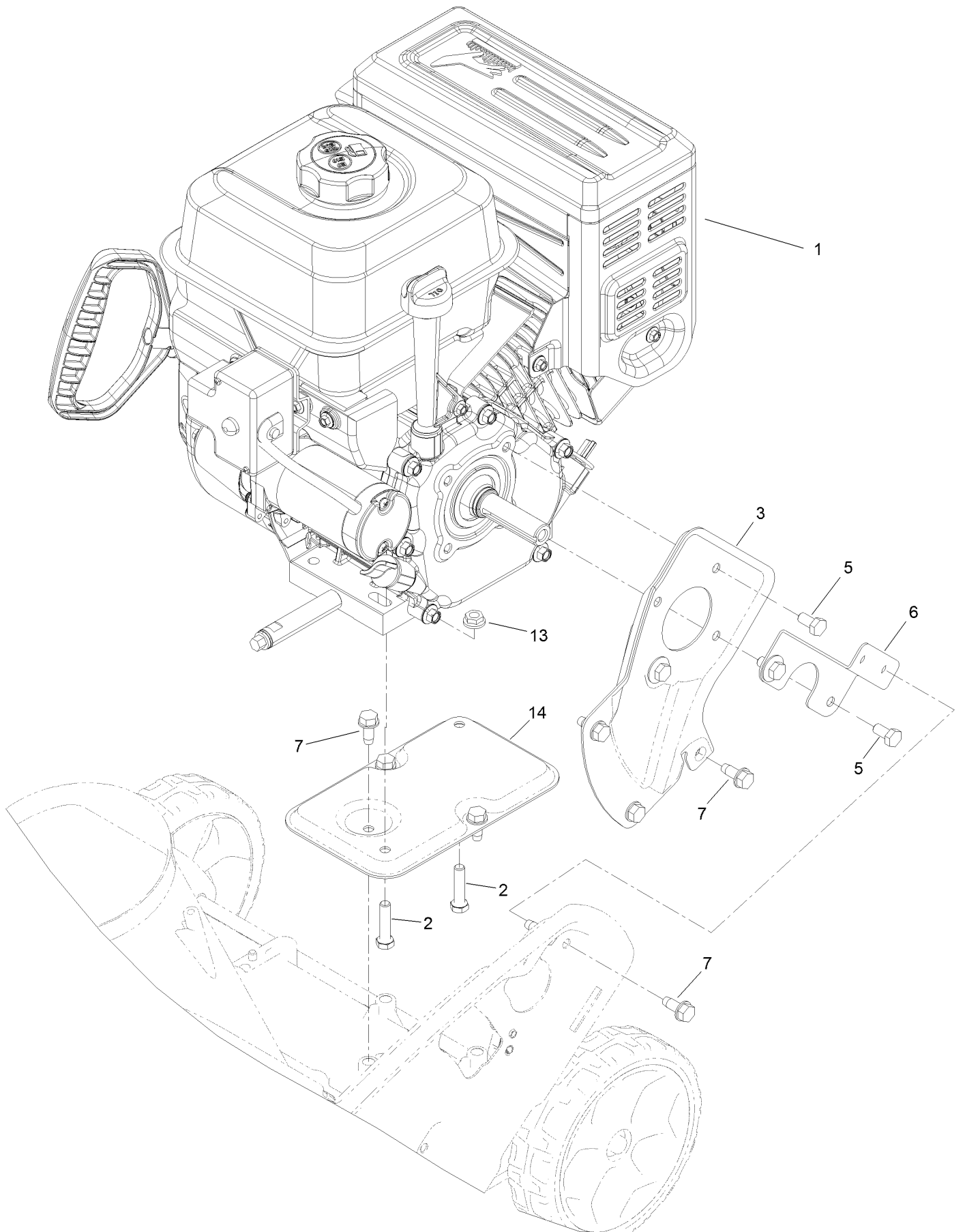
Rotor Assembly



Rotor Assembly (continued)

<i>Ref.</i>	<i>Part Number</i>	<i>Qty.</i>	<i>Description</i>	<i>Ref.</i>	<i>Part Number</i>	<i>Qty.</i>	<i>Description</i>
1	136-7167	4	Spacer-Blade, Rotor	5	321-8	1	Screw-HH
2	66-6600-03	2	Half-Rotor	6	125-1128	2	Blade-Rotor
3	321-5	4	Screw-HH	7	125-1122	8	Screw
4	3296-56	13	Nut-Lock, NI	8	131-6488-03	1	Rotor

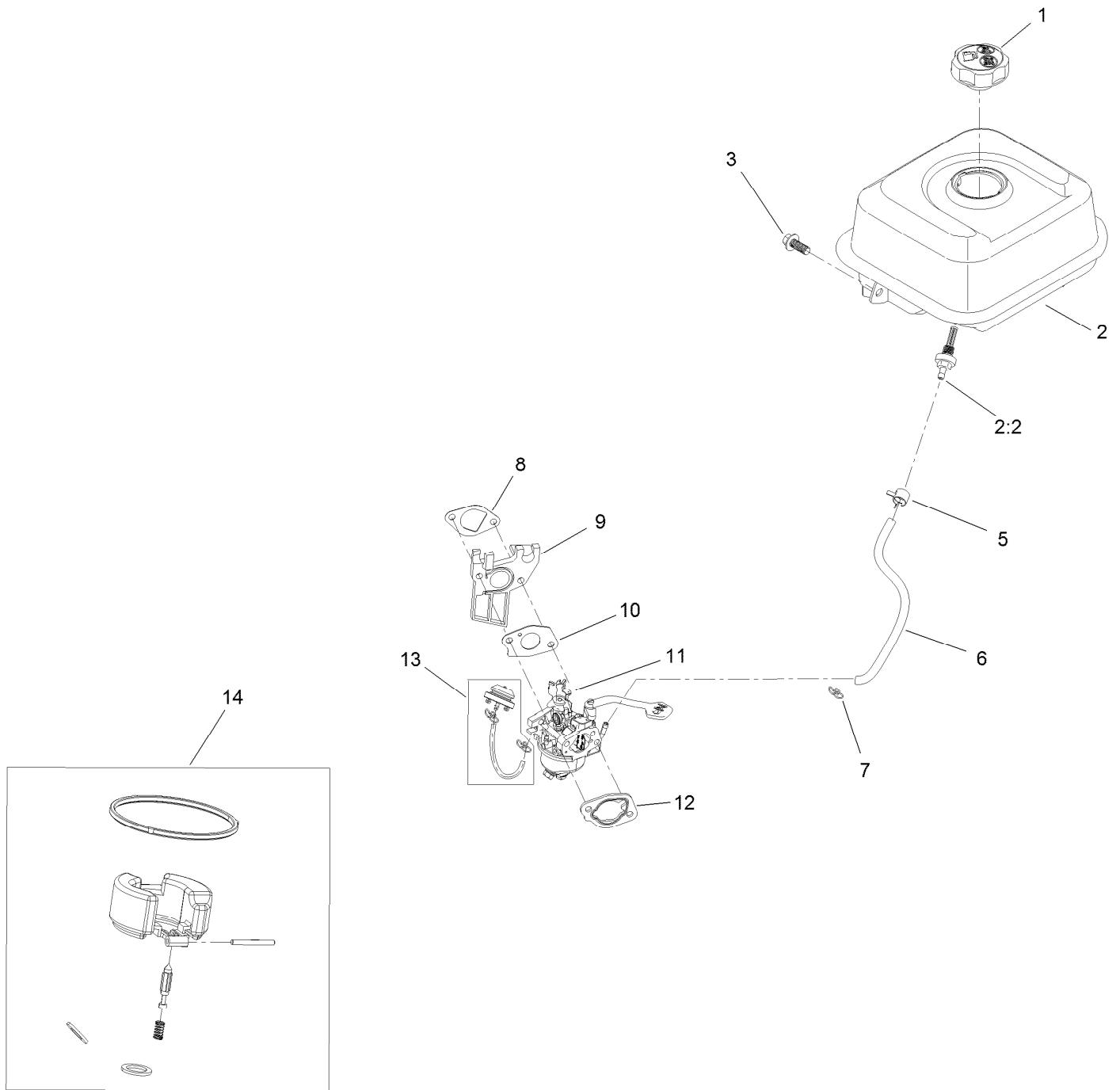
Engine Assembly



Engine Assembly (continued)

<i>Ref.</i>	<i>Part Number</i>	<i>Qty.</i>	<i>Description</i>	<i>Ref.</i>	<i>Part Number</i>	<i>Qty.</i>	<i>Description</i>
1	138-8766	1	Engine - G210Fs-4	6	110-9354-03	1	Support-Engine, Side
2	322-17	2	Screw-HH	7	32144-11	7	Screw-HWH
3	108-4892-03	1	Plate-Engine, PTO	13	32128-20	2	Nut-HF
5	99-5132	4	Bolt	14	117-6037-03	1	Support-Engine

Fuel System and Carburetor Assembly

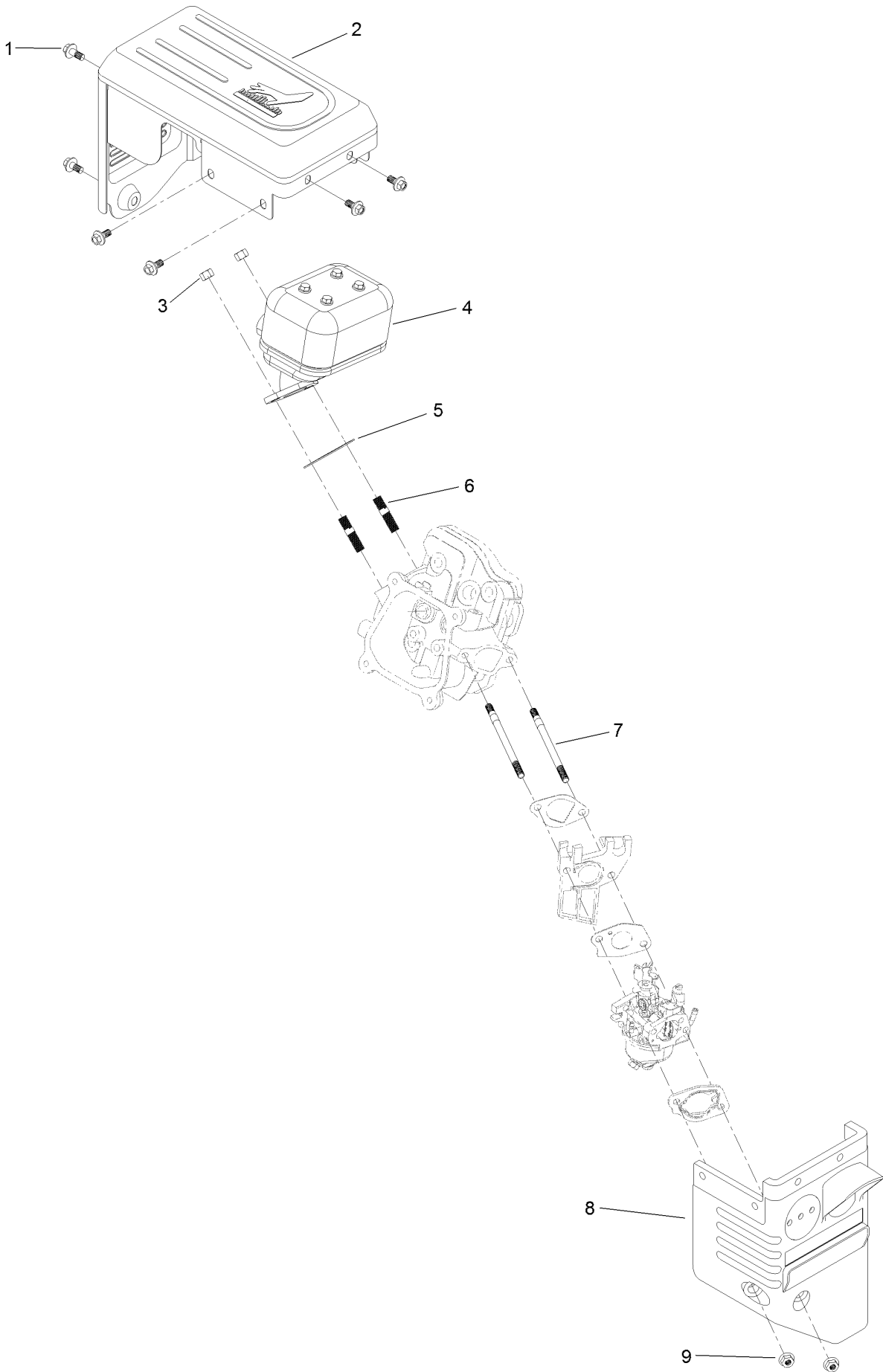


Fuel System and Carburetor Assembly (continued)

<i>Ref.</i>	<i>Part Number</i>	<i>Qty.</i>	<i>Description</i>	<i>Ref.</i>	<i>Part Number</i>	<i>Qty.</i>	<i>Description</i>
1	133-9823	1	Cap-Fuel	9	121-0077	1	Insulator-Carburetor
2	127-9497	1	Fuel Tank And Filter ASM	10	121-0078	1	Gasket-Carburetor
2:2	127-9065	1	Filter-Fuel	11	127-9111	1	Carburetor ASM
3	121-0294	1	Screw-HHF	12	121-0080	1	Gasket-Carburetor
5	127-9120	1	Clamp-Hose	13	127-9079	1	Primer Kit
6	127-9403	1	Hose-Fuel	14	127-9394	1	Internal Carb Service Kit
7	121-0087	1	Clamp-Hose	99	127-9301	1	High Altitude Kit - G210 ●
8	121-0076	1	Gasket-Carburetor				

● Not illustrated

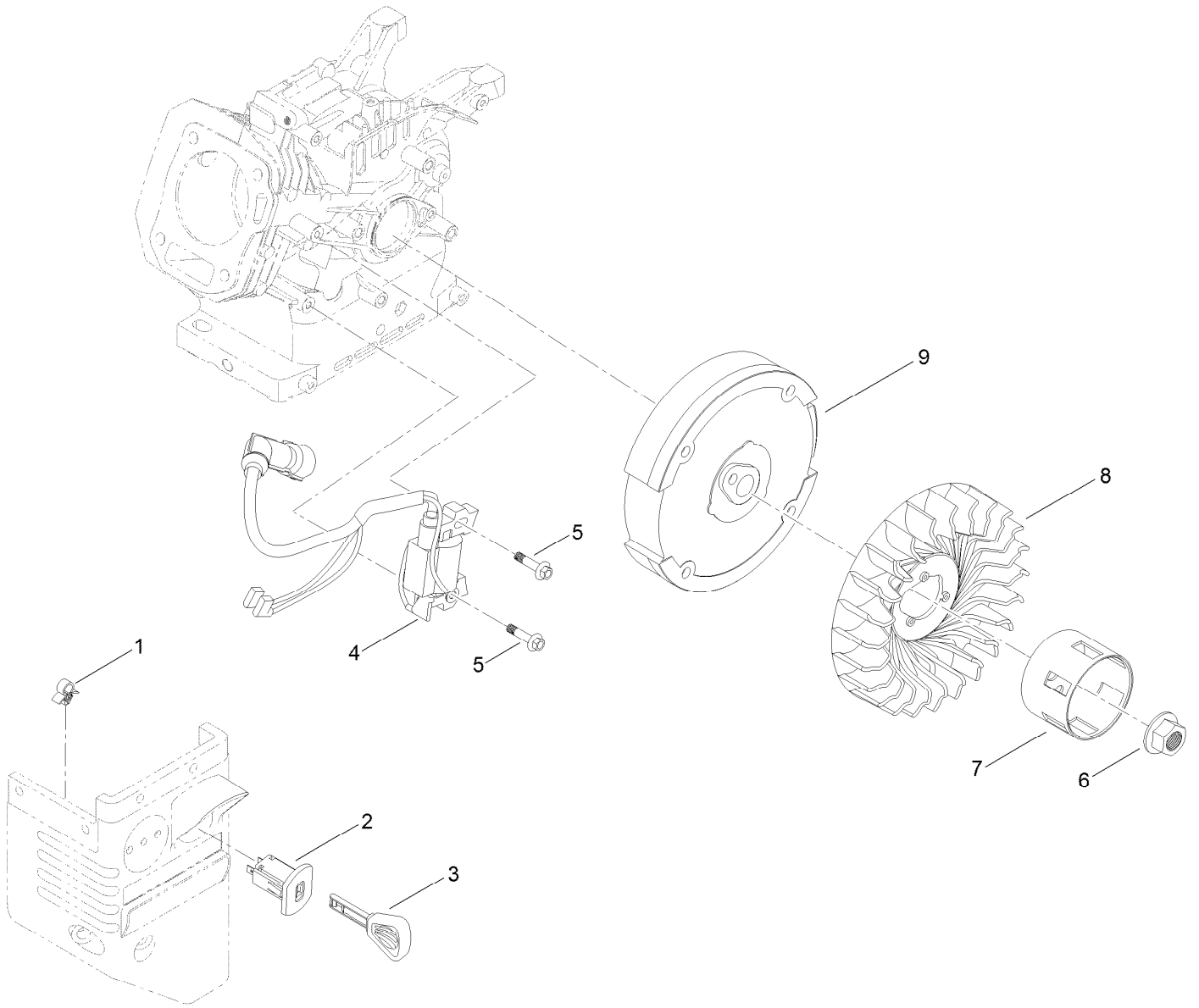
Intake and Exhaust Assembly



Intake and Exhaust Assembly (continued)

<i>Ref.</i>	<i>Part Number</i>	<i>Qty.</i>	<i>Description</i>	<i>Ref.</i>	<i>Part Number</i>	<i>Qty.</i>	<i>Description</i>
1	121-0294	6	Screw-HHF	6	121-0464	2	Stud-Exhaust
2	136-7778	1	Guard-Muffler	7	121-4112	2	Stud-Intake
3	121-0199	2	Nut-HH	8	127-9112	1	Box-Heater
4	133-9846	1	Muffler ASM	9	121-0308	2	Nut-Flange
5	121-0167	1	Gasket-Exhaust				

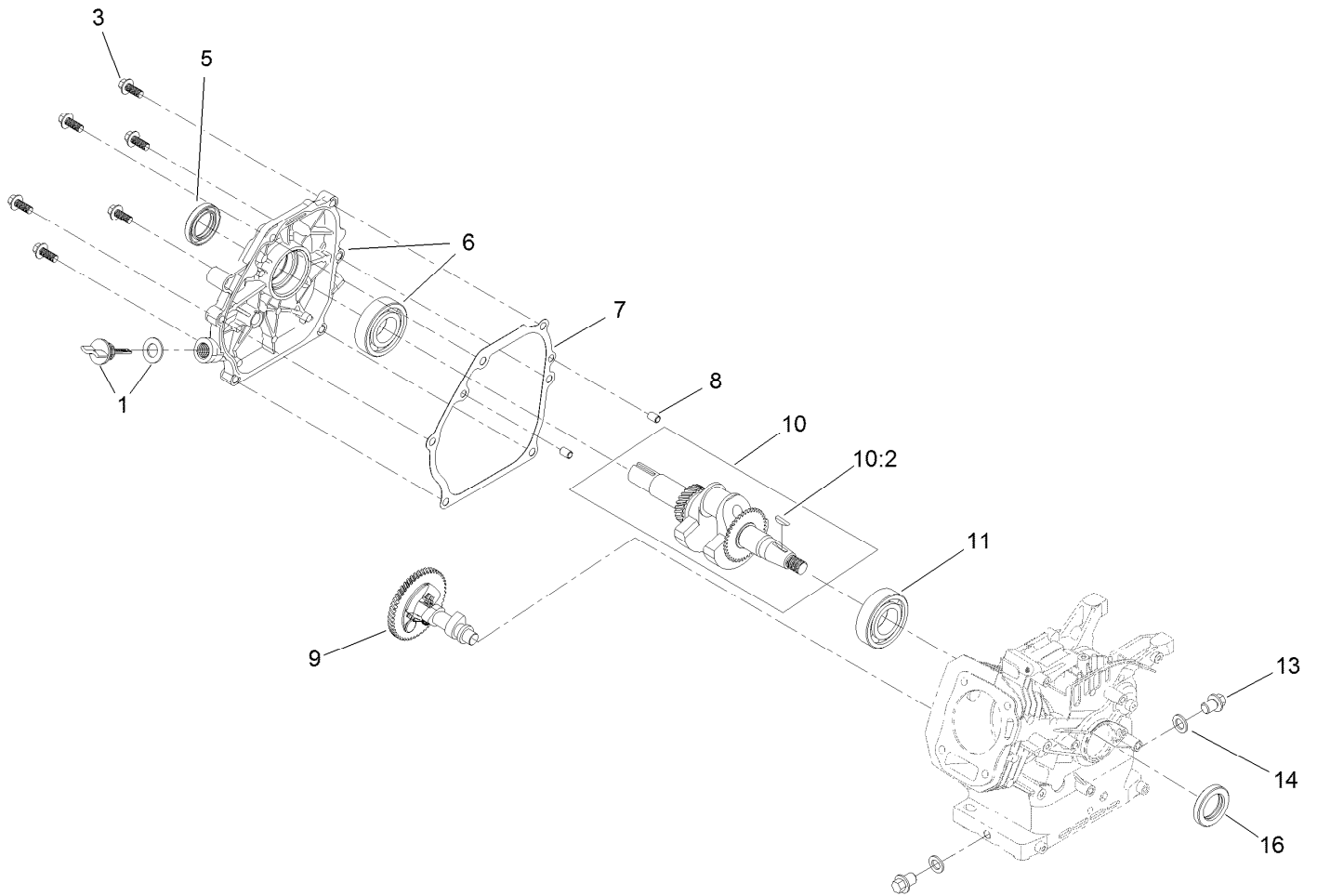
Ignition and Electrical Assembly



Ignition and Electrical Assembly (continued)

<i>Ref.</i>	<i>Part Number</i>	<i>Qty.</i>	<i>Description</i>	<i>Ref.</i>	<i>Part Number</i>	<i>Qty.</i>	<i>Description</i>
1	121-0326	1	Clip	6	121-0047	1	Nut-Flange
2	121-0283	1	Switch-Key	7	127-9106	1	Cup-Starter
3	117-7728	1	Key	8	127-9002	1	Fan
4	136-7769	1	Ignition Coil ASM	9	127-9003	1	Flywheel-Recoil
5	121-0097	2	Screw-HHF				

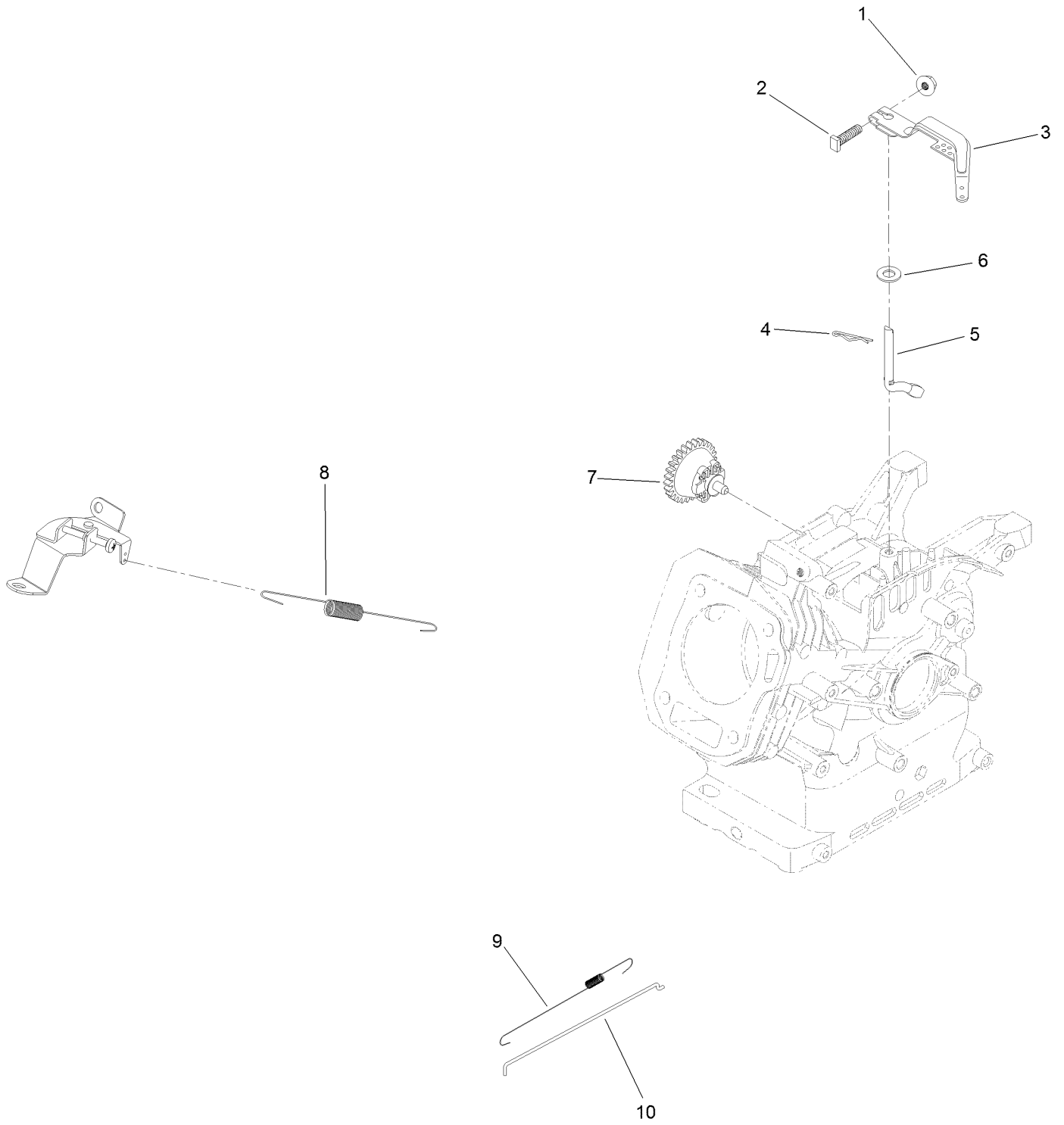
Crankcase Assembly



Crankcase Assembly (continued)

<i>Ref.</i>	<i>Part Number</i>	<i>Qty.</i>	<i>Description</i>	<i>Ref.</i>	<i>Part Number</i>	<i>Qty.</i>	<i>Description</i>
1	127-9374	1	Dipstick And O-Ring Kit	10	121-4292	1	Crankshaft ASM
3	121-4114	6	Screw-HHF	10:2	120-4320	1	Key-Woodruff
5	121-0209	1	Seal-Oil	11	121-0056	1	Bearing-Ball
6	139-0693	1	Crankcase Cover ASM	13	121-0030	2	Screw-HHF
7	121-0105	1	Gasket-Cover, Crankcase	14	121-0048	2	Washer-Plain
8	121-0054	2	Pin-Dowel	16	133-9864	1	Seal-Oil
9	133-9836	1	Camshaft				

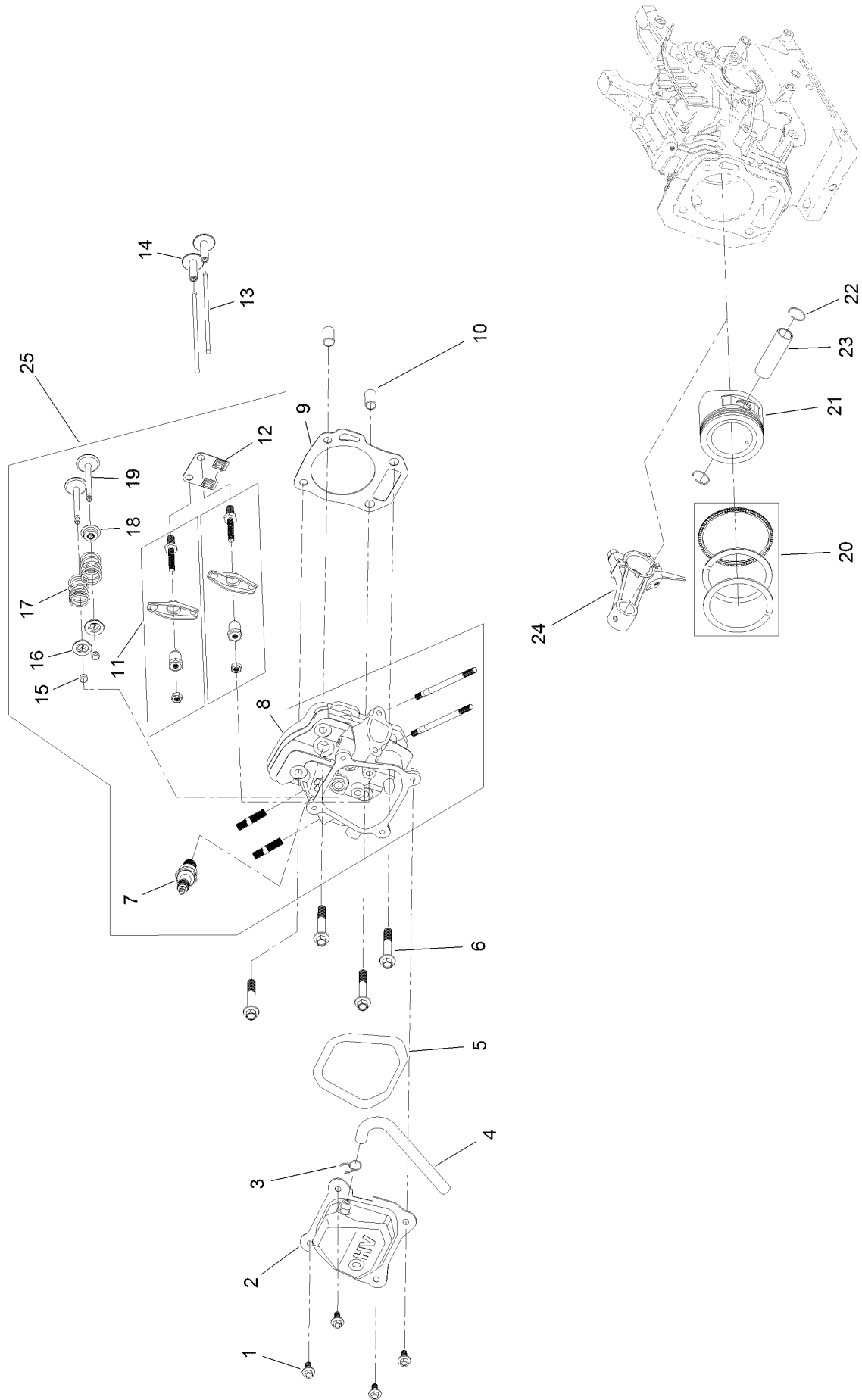
Governor Assembly



Governor Assembly (continued)

<i>Ref.</i>	<i>Part Number</i>	<i>Qty.</i>	<i>Description</i>	<i>Ref.</i>	<i>Part Number</i>	<i>Qty.</i>	<i>Description</i>
1	120-4236	1	Nut-Flange	6	121-0498	1	Washer-Plain
2	120-4238	1	Bolt-Arm, Governor	7	136-7762	1	Governor Gear ASM
3	121-0155	1	Arm-Governor	8	139-0690	1	Spring-Governor
4	120-4256	1	Pin-Hair	9	121-0153	1	Spring-Return, Throttle
5	136-7763	1	Shaft-Governor	10	121-0148	1	Rod-Governor

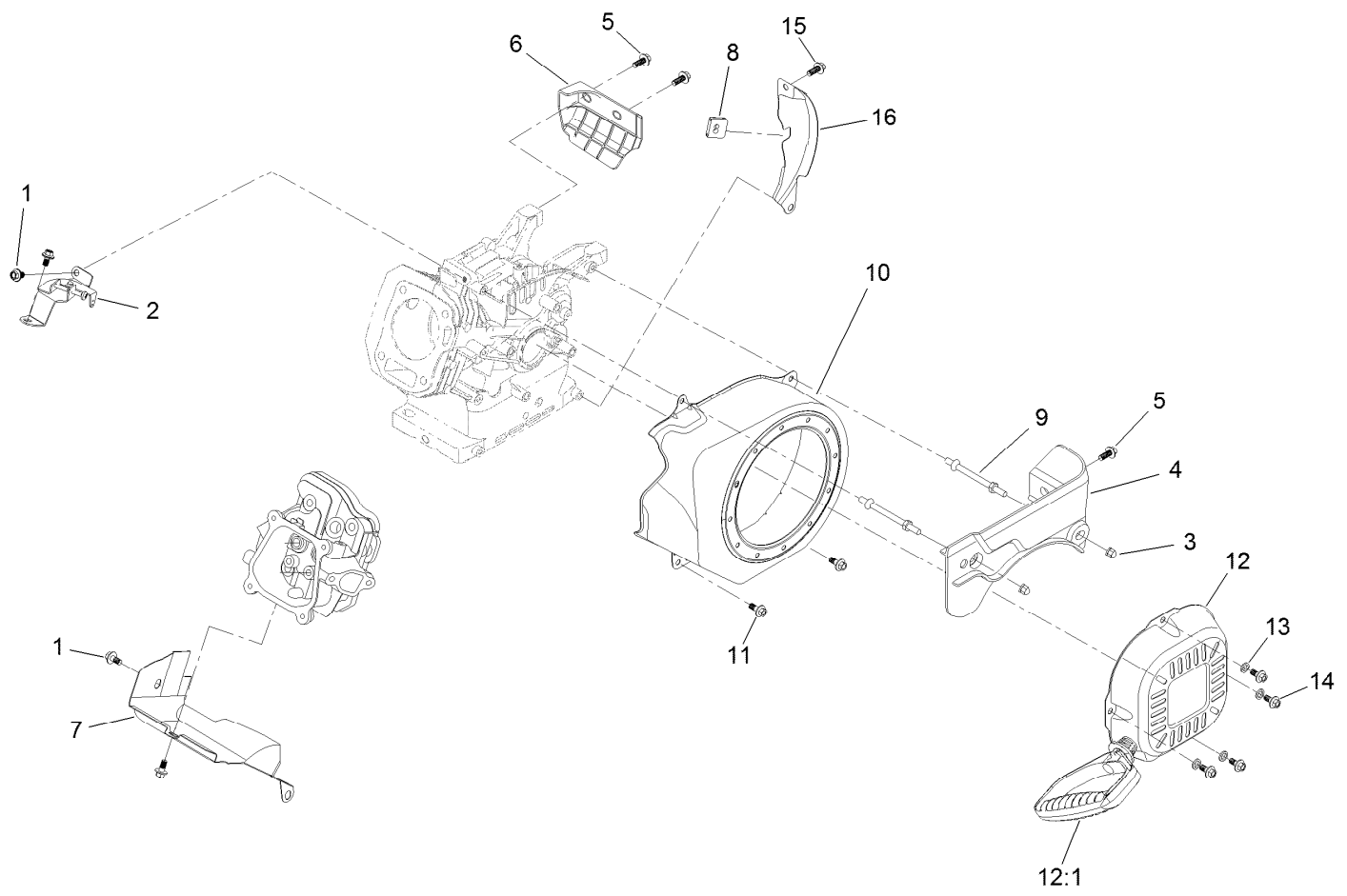
Piston and Head Assembly



Piston and Head Assembly (continued)

<i>Ref.</i>	<i>Part Number</i>	<i>Qty.</i>	<i>Description</i>	<i>Ref.</i>	<i>Part Number</i>	<i>Qty.</i>	<i>Description</i>
1	120-4454	4	Screw-HHF	14	127-9015	2	Tappet-Valve
2	127-9094	1	Cover-Valve	15	121-4116	2	Rotator-Valve
3	127-9408	1	Clamp-Hose	16	121-4117	2	Retainer-Spring, Valve
4	139-0631	1	Tube-Breather	17	127-9014	2	Spring-Valve
5	121-0109	1	Gasket-Cover, Valve	18	121-4202	1	Seal-Stem, Valve
6	121-4110	4	Screw-HHF	19	127-9016	1	Valve Set
7	81-3250	1	Spark Plug	20	121-4295	1	Ring Set, Piston
8	127-9013	1	Head-Cylinder	21	121-4293	1	Piston
9	127-9000	1	Gasket-Head, Cylinder	22	121-0313	2	Clip-Pin, Piston
10	121-0053	2	Pin-Dowel	23	121-4128	1	Pin-Piston
11	120-4475	2	Rocker Arm ASM	24	127-9017	1	Connecting Rod ASM
12	121-4120	1	Plate-Guide, Push Rod	25	133-9839	1	Complete Head ASM
13	121-4121	2	Rod-Push				

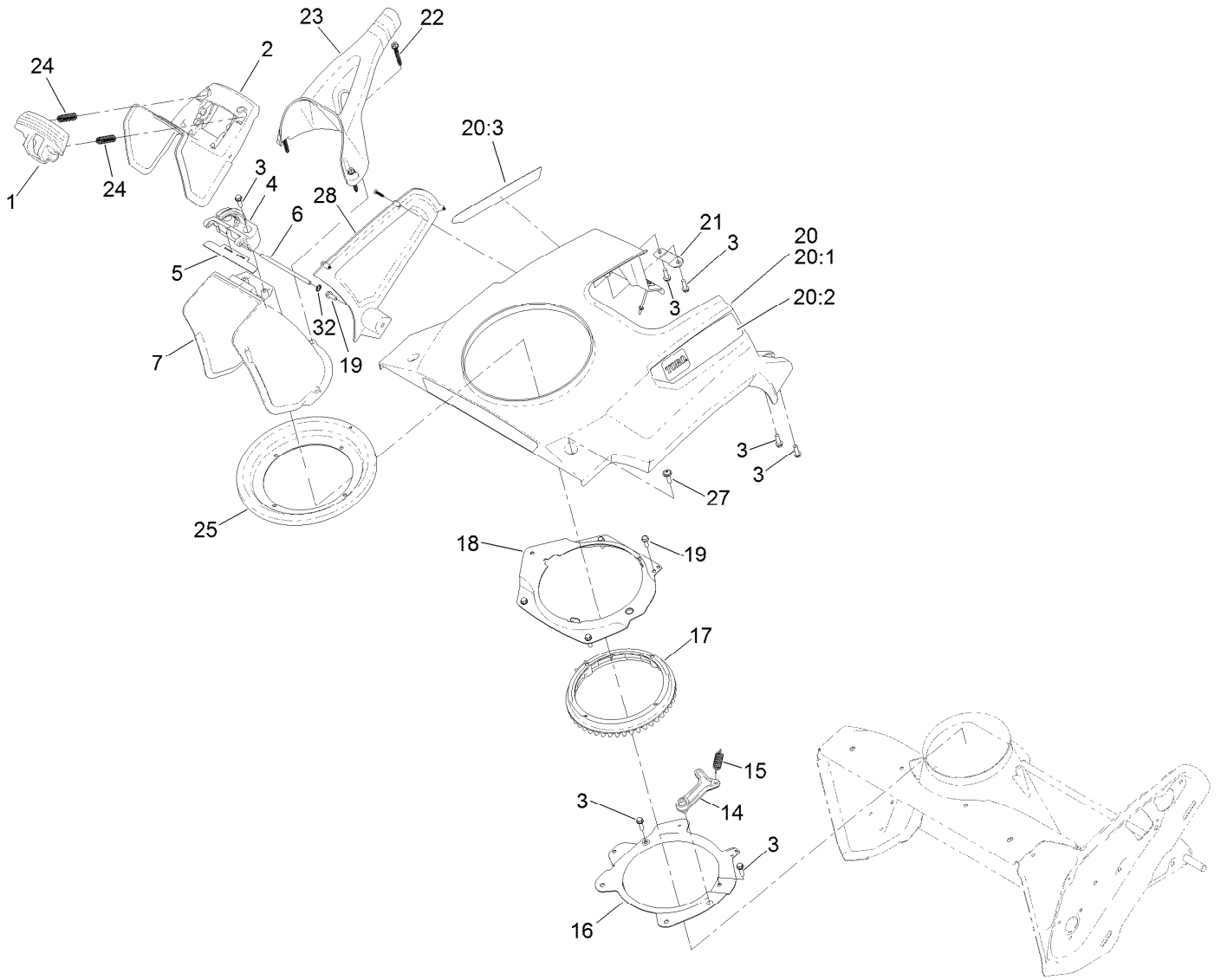
Blower Housing and Shrouds Assembly



Blower Housing and Shrouds Assembly (continued)

<i>Ref.</i>	<i>Part Number</i>	<i>Qty.</i>	<i>Description</i>	<i>Ref.</i>	<i>Part Number</i>	<i>Qty.</i>	<i>Description</i>
1	121-0116	4	Screw-HHF	10	127-9498	1	Shroud-Blower
2	127-9396	1	Speed Control ASM	11	121-0294	2	Screw-HHF
3	127-9383	2	Nut-Acorn	12	127-9402	1	Recoil Starter ASM
4	127-9406	1	Panel-Front	12:1	121-0287	1	Handle-Recoil
5	127-9123	3	Screw-HHF	13	127-9380	4	Washer-Plain
6	133-1551	1	Panel-Side, Engine	14	127-9031	4	Screw-HHF
7	127-9096	1	Shroud-Lower	15	120-4454	1	Screw-HHF
8	121-0325	1	Grommet-Rubber	16	133-1550	1	Shield-Flywheel
9	127-9110	2	Stud-Mount				

Shroud and Chute Assembly

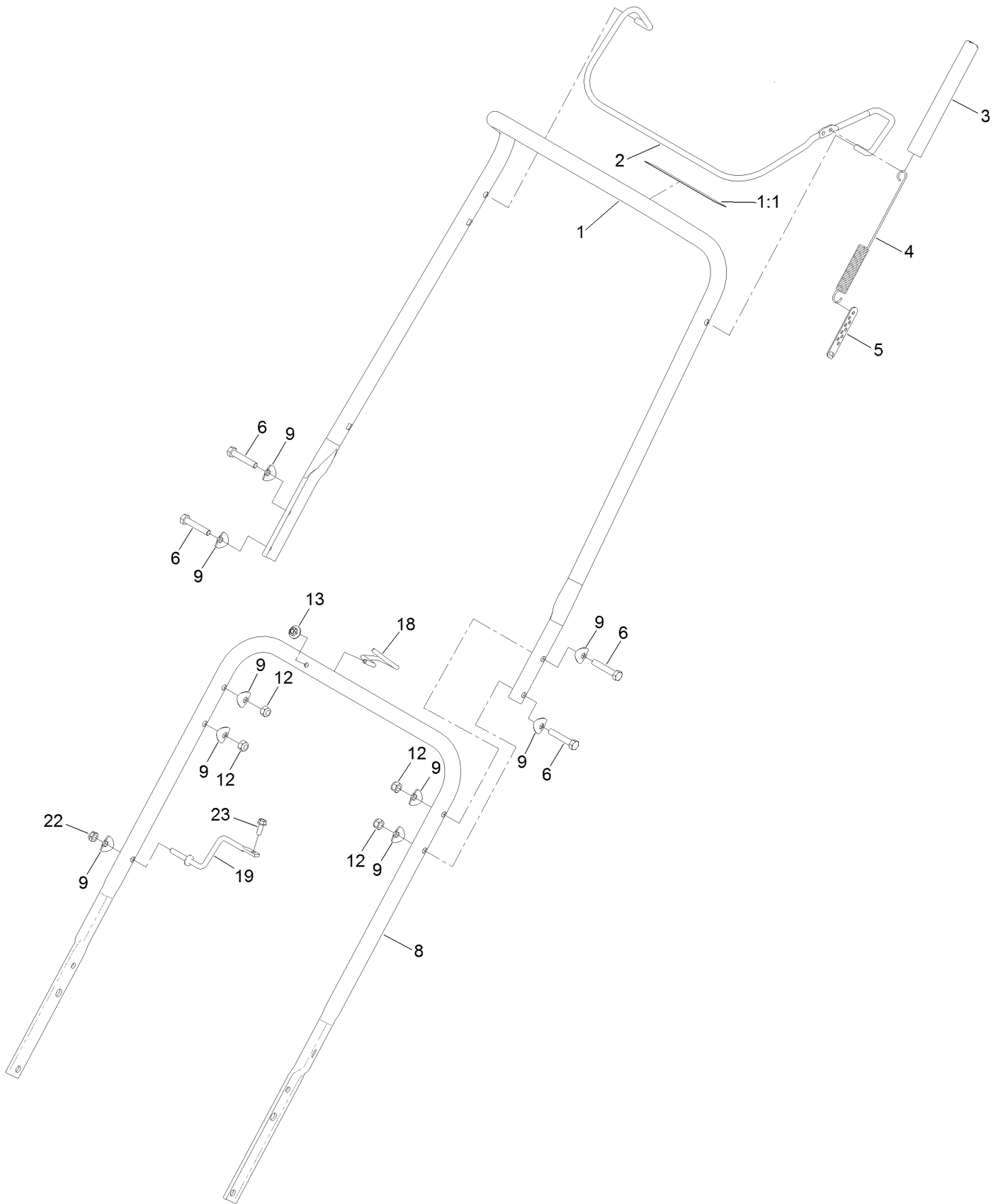


Shroud and Chute Assembly (continued)

<i>Ref.</i>	<i>Part Number</i>	<i>Qty.</i>	<i>Description</i>	<i>Ref.</i>	<i>Part Number</i>	<i>Qty.</i>	<i>Description</i>
1	108-4941	1	Trigger-Deflector	20		1	Shroud ASM, W/Decals ●
2	117-9121	1	Deflector-Chute, CE	20:1	138-8788	1	Shroud ASM, W/Artwork
3	46-8091	10	Screw-HWH	20:2	139-3533	1	Decal-Shroud LH
4	108-4942	1	Hinge-Ratchet, Deflector	20:3	139-3532	1	Decal-Shroud, RH
5	114-3790	1	Seal-Deflector	21	138-8757	2	Retainer-Shroud
6	136-8672	1	Pin-Hinge, Deflector	22	114-3751	3	Screw-HWH, Plastite
7	108-4939	1	Chute	23	110-9366	1	Handle-Chute
14	108-4926	1	Pawl-Detent	24	136-7136	2	Spring-Compression
15	80-4600	1	Spring-Extension	25	114-3772	1	Seal-Ring, Chute
16	108-4883-03	1	Ring-Support, Chute	27	110-9361	2	Screw-PPH
17	108-4922	1	Ring-Chute, Detent	28	138-8754	1	Cover-Side
18	108-4874-03	1	Retainer-Ring, Chute	32	104-8310	1	Ring-Retaining
19	32144-85	3	Screw-HWH				

● Not serviced separately

Handle Assembly



Handle Assembly (continued)

<i>Ref.</i>	<i>Part Number</i>	<i>Qty.</i>	<i>Description</i>	<i>Ref.</i>	<i>Part Number</i>	<i>Qty.</i>	<i>Description</i>
1	114-3768	1	Upper Handle ASM	9	107-3844	9	Washer
1:1	94-2577	1	Decal-Drive, Rotor	12	3296-72	4	Nut-Lock, NI
2	114-3780-03	1	Bail-Control	13	114-3778	1	Nut-HF
3	114-3796	1	Cover-Spring	18	139-3543	1	Guide-Rope
4	136-7146	1	Spring-Extension, Clutch	19	139-3504	1	Support-Box, Switch
5	136-7126	1	Adjuster-Cable, Clutch	22	3296-47	1	Nut-Lock, NI
6	125-7944	4	Screw-HH	23	32144-85	1	Screw-HWH
8	138-8760-03	1	Handle-Lower				

Attachments and Accessories

For 38754 Power Clear 721 R-C Commercial Snowthrower

Product Name	Model/Part
Case of 24 20-Ounce Bottles 5W30 Winter Oil	38908
Toro Snow Oil 0W30 Synthetic 20-Ounce Bottle	38913
Engine Maintenance Kit.....	138-0700
Paddle Replacement Kit	38261
Long Life Rotor Blade Kit	38205
Toro Single Stage Cover	490-7464
Plain Single Stage Cover	490-7465

Notes:



Count on it.