



Count on it.

Parts Catalog

**Commercial Walk-Behind Mower
Fixed Deck, T-Bar, Gear Drive with 32in
Cutting Unit**

Model No. 30672—Serial No. 405670000 and Up



Ordering Replacement Parts

To order replacement parts, please supply the part number, the quantity, and the description of each part desired.

Understanding Reference Numbers

Each identified part in an illustration has a reference number. The reference number for a part also appears in the parts list, along with other information about the part.

This catalog uses two special reference number formats, one to indicate parts in a service assembly and another to indicate the quantity of a given part in an illustration.

Service Assembly Reference Numbers

Parts in service assemblies have reference numbers in the form a:b. The a represents the reference number of the entire service assembly and the b represents a sequential number unique to each part within the service assembly.

For example, a wheel assembly might be identified by reference number 6, the tire by 6:1, the valve by 6:2, and the wheel by 6:3. When you order the assembly identified by reference number 6, you receive all parts identified by reference numbers 6:1, 6:2, and 6:3. However, you may also order any part individually. Reference numbers of this type appear in illustration and in parts lists.

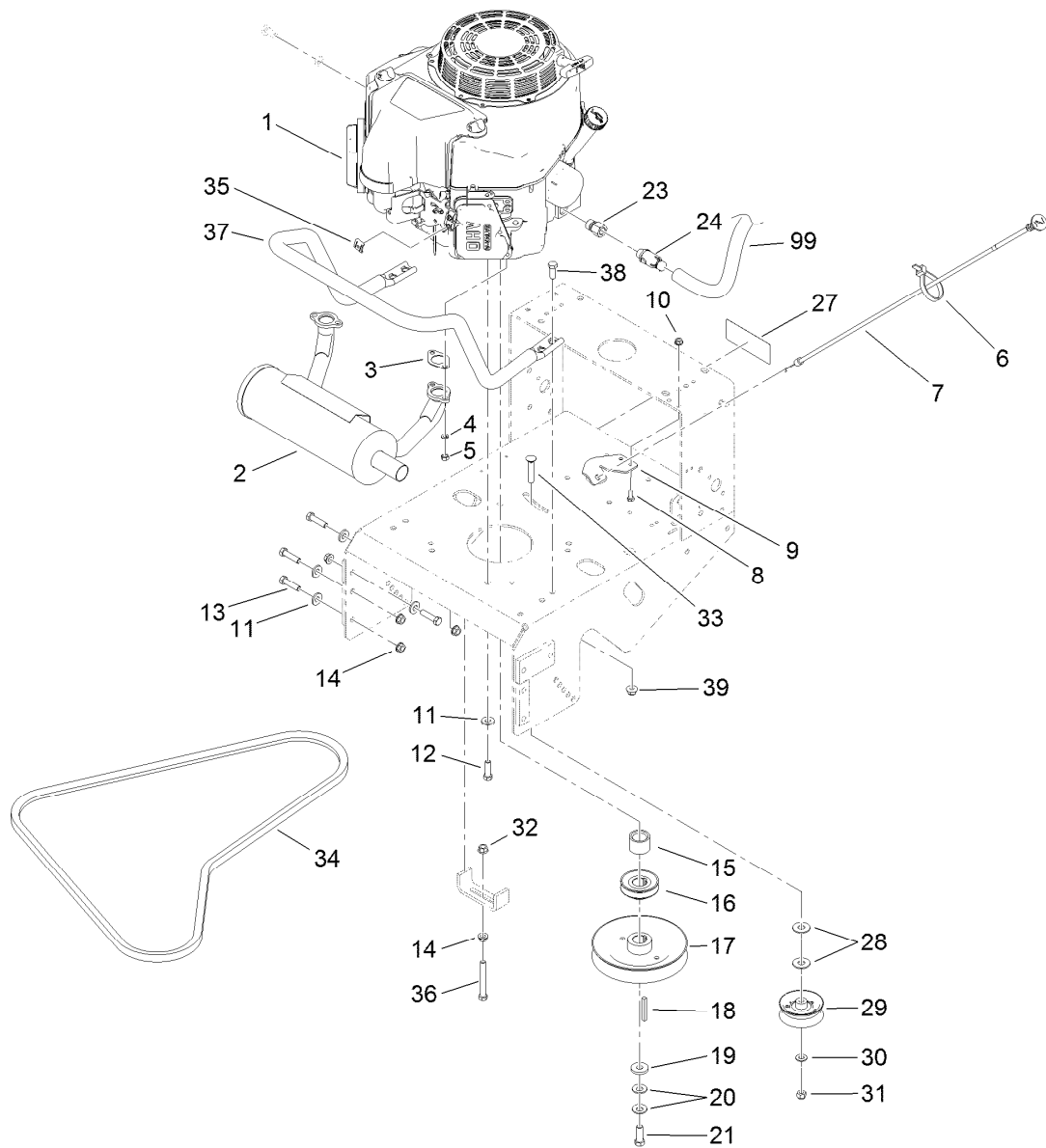
Reference Numbers Indicating Quantity

In an illustration, if a reference number indicates more than one part, the reference number has the form nX y. The n represents the quantity of the part, the X is the multiplication symbol, and the y represents the reference number.

For example, in an illustration, the reference number 2X 37 means that two of the parts identified by reference number 37 are indicated.

Contents

Engine and Exhaust Assembly.....	4
Fuel System Assembly	5
Frame and Transmission Assembly	6
Drive Wheel and Brake Assembly	7
Handle and Control Assembly	9
Wire Harness Assembly	10
Deck and Shield Assembly	11
Deck Decal Assembly No. 110-6901.....	12
Deflector Assembly No. 119-6529.....	13
Idler Arm and Caster Wheel Assembly.....	14
Spindle and Blade Assembly	16
Cutter Housing Assembly No. 107-4065	17
Attachments and Accessories	18

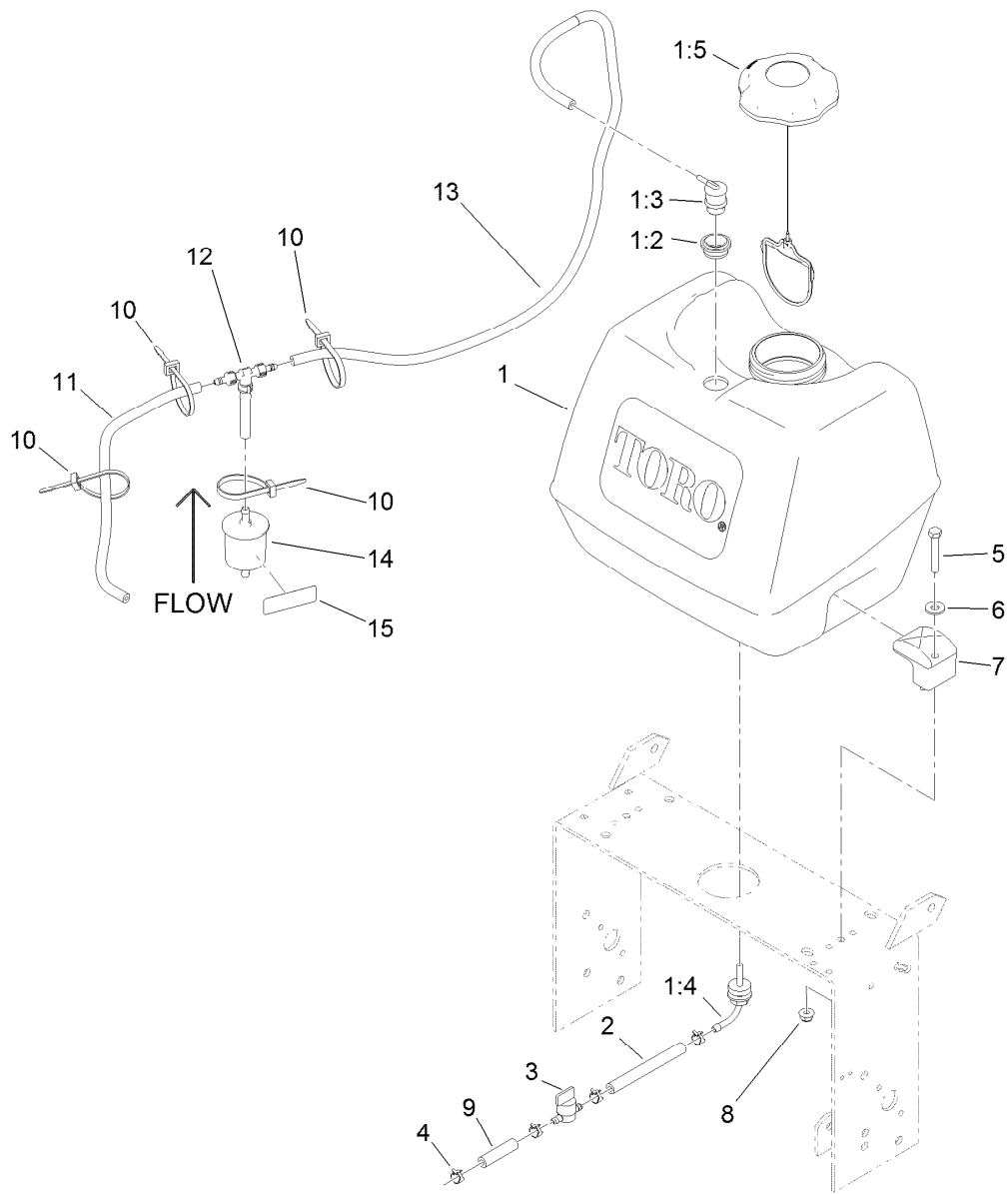


Engine and Exhaust Assembly

Ref.	Part Number	Qty.	Description	Ref.	Part Number	Qty.	Description
1		1	Engine-Kawasaki, Fs481V-As06 ●■	19	1-373034	1	Washer
2	116-3734	1	Muffler-Horizontal, Offset	20	1-603610	2	Washer-Spring
3	1-653313	2	Gasket-Exhaust	21	116-3702	1	Screw-HH
4	114-3550	4	Washer-Lock	23	103-1966	1	Adapter
5	114-3549	4	Nut	24	120-4321	1	Valve-Drain, Oil
6	1-303287	1	Tie-Cable	27	126-1400	1	Decal-Warning, Sulky
7	103-1796	1	Cable-Choke	28	3256-5	2	Washer-Flat
8	321-3	2	Screw-HH	29	130-8362	1	Pulley-Idler, Flat
9	103-1797-01	1	Bracket-Cable, Choke	30	3256-24	1	Washer-Flat
10	32128-33	2	Nut-HF	31	3296-39	1	Nut-Lock, NI
11	98-5975	12	Washer-Belleville	32	32128-21	1	Nut-HF
12	323-7	4	Screw-HH	33	3231-6	1	Screw-CARR
13	323-8	8	Screw-HH	34	1-323745	1	Belt-V
14	3290-357	9	Nut-HHF, Whiz	35	81-1690	1	Clamp-Cable
15	1-633453	1	Spacer-Clutch	36	323-14	1	Screw-HH
16	103-1666	1	Sheave-Transmission	37	116-6278-03	1	Guard-Muffler
17	103-1667	1	Sheave	38	323-6	4	Screw-HH
18	103-4177	1	Key	39	104-8301	4	Nut-HF, NI
				99	103-1964	1	Hose-Drain, Oil

● Not serviced separately

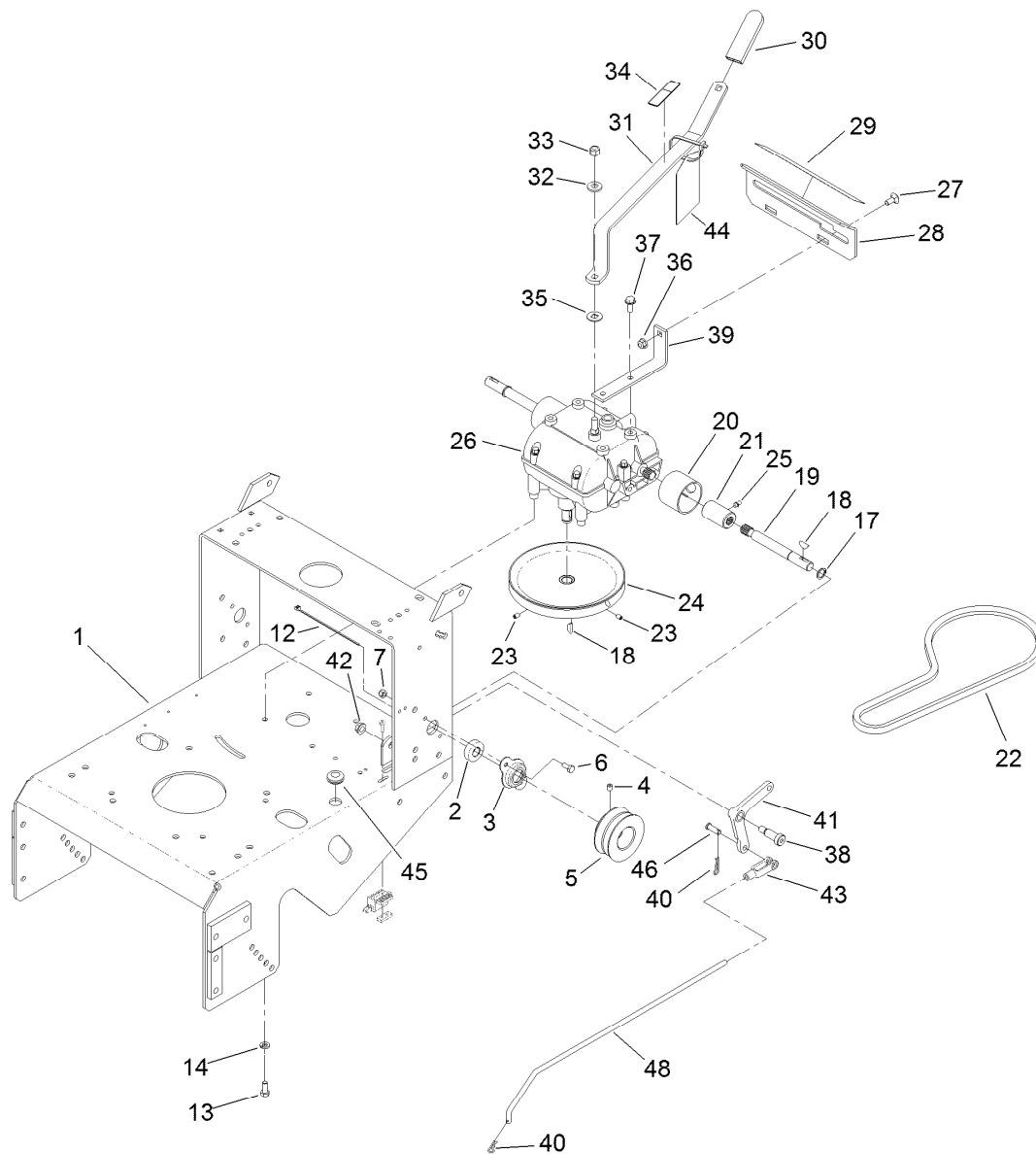
■ Obtain parts from www.kawpowerpc.com



Fuel System Assembly

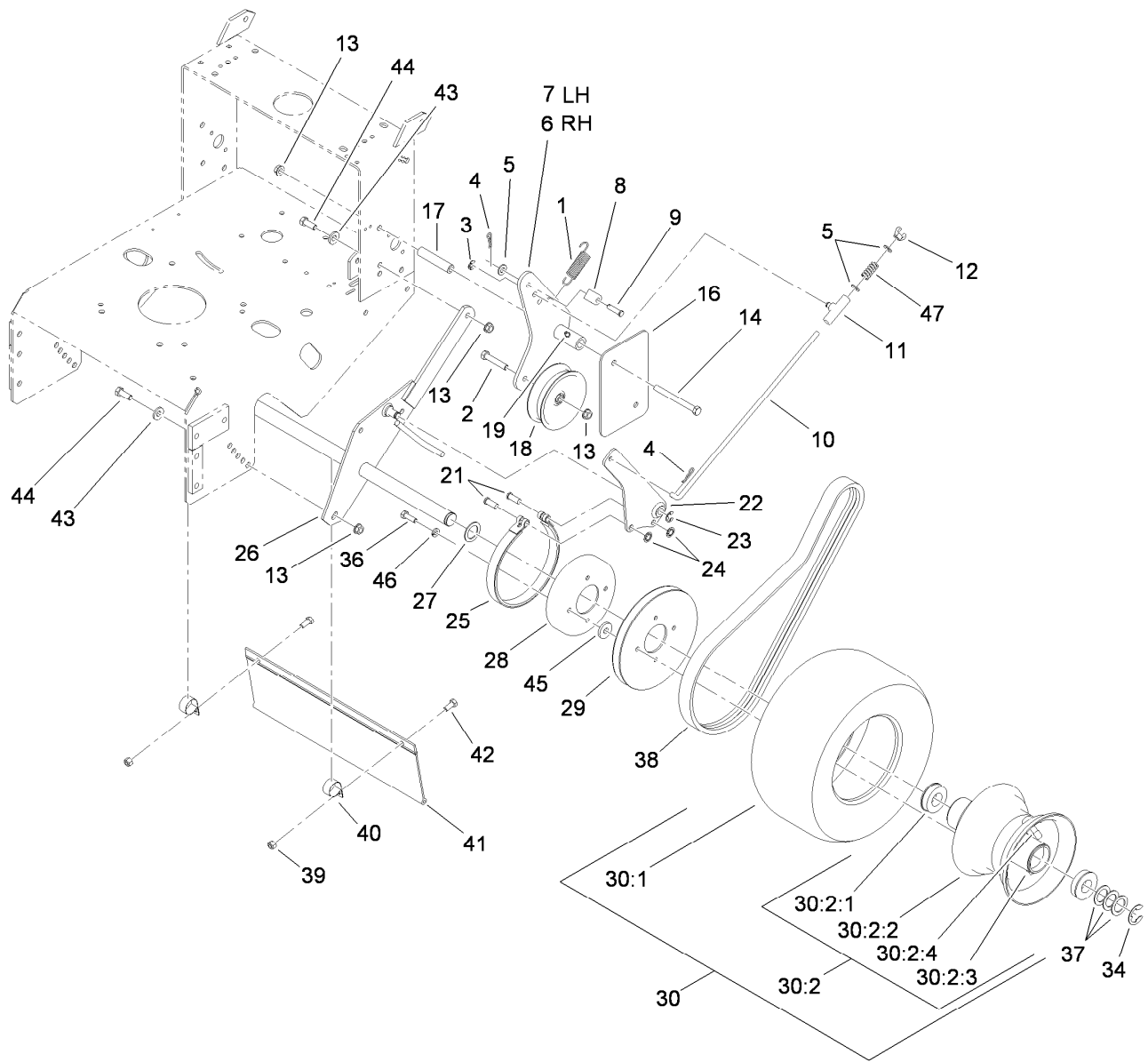
Ref.	Part Number	Qty.	Description
1	126-1526	1	Fuel Tank ASM
1:2	114-0284	1	Grommet
1:3	119-3547	1	Valve-Vent, Fuel
1:4	103-2605	1	Fitting-Fuel, Bulkhead
1:5	137-4119	1	Cap-Fuel, Ratcheting
2	109-0650	1	Hose-Fuel
3	1-603770	1	Valve-Fuel
4	2412-98	4	Clamp-Hose

Ref.	Part Number	Qty.	Description
5	322-10	2	Screw-HH
6	3256-3	2	Washer-Flat
7	107-4543	2	Clamp
8	104-8300	2	Nut-HF, NI
9	99-9415	1	Hose-Fuel
10	3290-378	4	Tie-Cable
11	115-7872	1	Hose-Fuel
12	116-5464	1	Tee And Check
13	116-4346	1	Hose-Emissions
14	120-2235	1	Filter-Fuel
15	116-4769	1	Decal-Filter, Emissions



Frame and Transmission Assembly

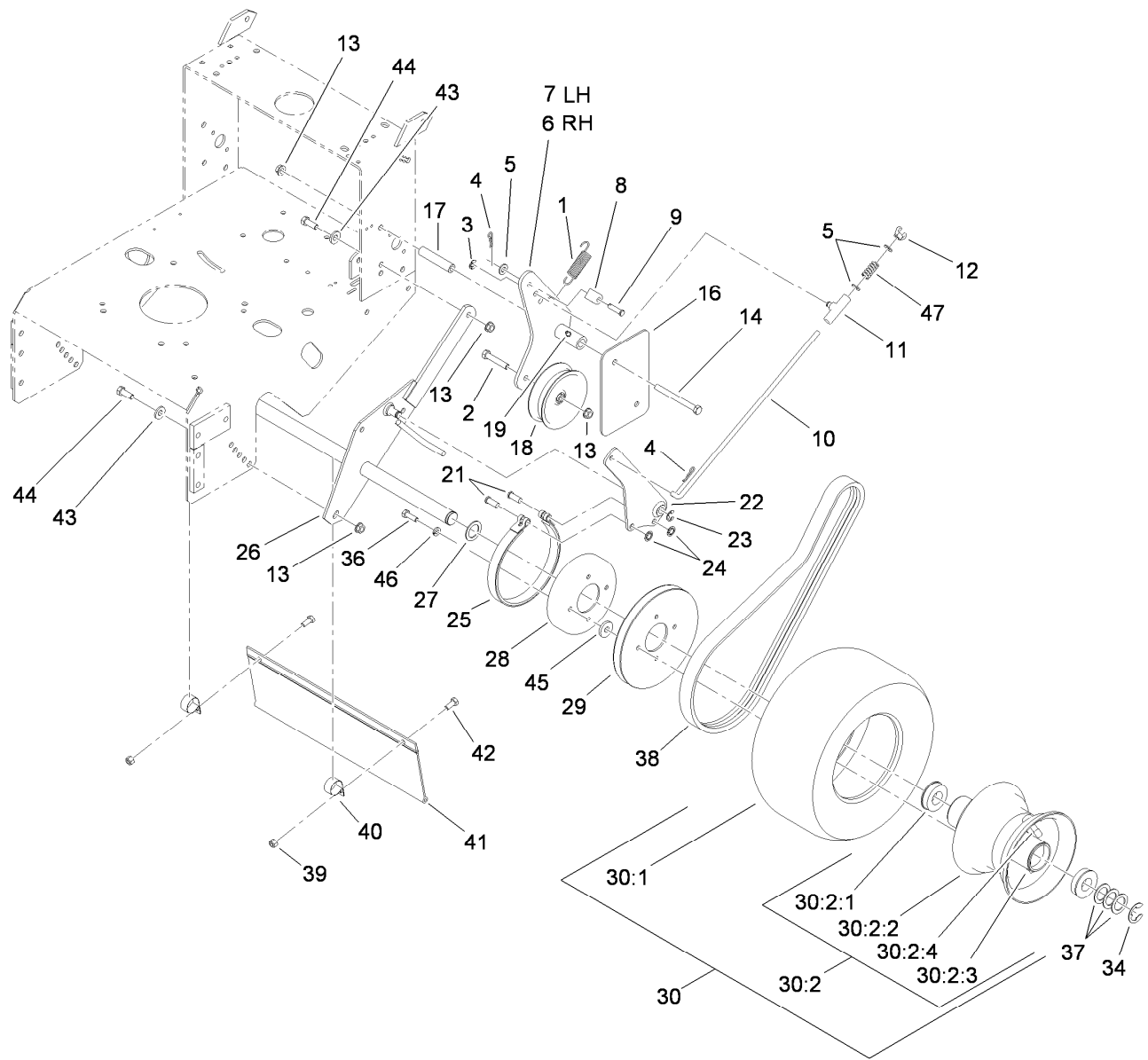
Ref.	Part Number	Qty.	Description	Ref.	Part Number	Qty.	Description
1	116-6084-01	1	Frame-Gear	28	1-323387-03	1	Plate-Shift
2	1-323252	2	Bearing-Shaft	29	98-3264	1	Decal-Speed, Ground
3	1-323254	2	Flange-Output	30	1-303020	1	Grip-Lever
4	3246-18	2	Setscrew	31	98-3274-03	1	Lever-Shift
5	103-6512	2	Sheave-Transmission	32	98-5975	1	Washer-Belleville
6	321-3	4	Screw-HH	33	3296-6	1	Nut-Lock
7	3296-42	4	Nut-Lock, NI	34	132-4708	1	Decal-Caution, Gearbox
12	1-303287	1	Tie-Cable	35	1-323379	1	Washer
13	322-3	4	Screw-HH	36	104-8300	2	Nut-HF, NI
14	1-805005	4	Washer-Lock	37	32144-11	4	Screw-HWH
17	32151-62	2	Ring-Retaining	38	1-603403	1	Bolt-Shoulder
18	3257-5	3	Key-Woodruff	39	1-323389-03	2	Bracket-Plate, Shift
19	1-323502	2	Shaft-Transmission	40	1-806003	2	Pin-Cotter
20	51-4220	2	Guard-Coupler	41	1-303186	1	Bellcrank
21	1-323680	2	Coupler	42	3290-357	1	Nut-HHF, Whiz
22	1-323630	1	V-Belt	43	1-303105	1	Yoke-Adjustable
23	3245-41	2	Screw-HSH	44	132-4712	1	Hang Tag-Gearbox
24	1-323278	1	Sheave-Transmission	45	1-543296	1	Grommet
25	302-19	2	Fitting-Grease	46	1-808280	1	Pin-Clevis
26	137-4105	1	Transmission-5 Speed	48	1-323303	1	Arm-Assist, Linkage
27	3230-1	2	Bolt-CARR				



Drive Wheel and Brake Assembly

Ref.	Part Number	Qty.	Description	Ref.	Part Number	Qty.	Description
1	98-3273	2	Spring-Extension	21	1-323307	4	Pin-Clevis
2	323-10	2	Screw-HH	22	1-322209-03	2	Arm-Brake
3	32151-47	2	Ring-Retaining	23	32120-47	2	Ring-Retaining, External
4	1-806003	4	Pin-Cotter	24	1-803051	4	Ring-Retain
5	3256-23	4	Washer-Plain	25	1-323595	2	Band-Brake
6	110-4925-03	1	Arm-Idler, RH	26	1-322232-03	1	Axle ASM
7	110-4926-03	1	Arm-Idler, LH	27	1-543436	2	Washer-Spacer
8	74-0521	2	Fitting-Rod	28	1-323261	2	Drum-Brake
9	283-6	2	Pin-Clevis	29	1-323349	2	Sheave-Wheel, Drive
10	1-323296	2	Rod-Brake	30	130-8365	2	Wheel And Tire ASM
11	110-5866	2	Swivel-Brake	30:1	130-8368	1	Tire
12	1-513959	2	Wingnut-Nylock	30:2	130-4566	1	Wheel And Hub ASM
13	3290-357	10	Nut-HHF, Whiz	30:2:1	1-323329	2	Bearing-Flanged
14	323-16	4	Screw-HH	30:2:2		1	Rim ASM ●
16	98-5131-01	2	Shield-Wheel, Drive	30:2:3		1	Fitting-Grease ●
17	1-323694	4	Spacer-Shield	30:2:4		1	Valve Stem And Cap ●
18	1-323634	2	Idler-Drive, Wheel	34	1-808519	2	Ring-Snap
19	302-19	2	Fitting-Grease	36	322-5	8	Screw-HH

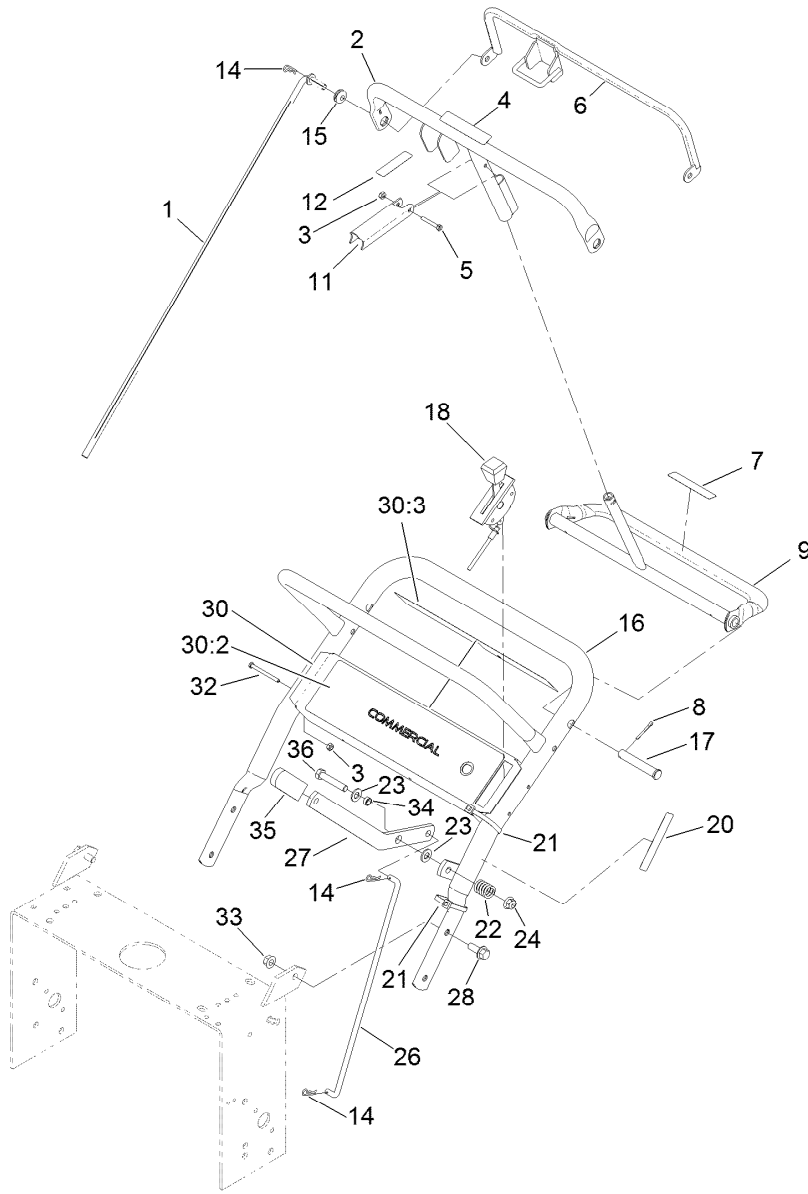
● Not serviced separately



Drive Wheel and Brake Assembly (continued)

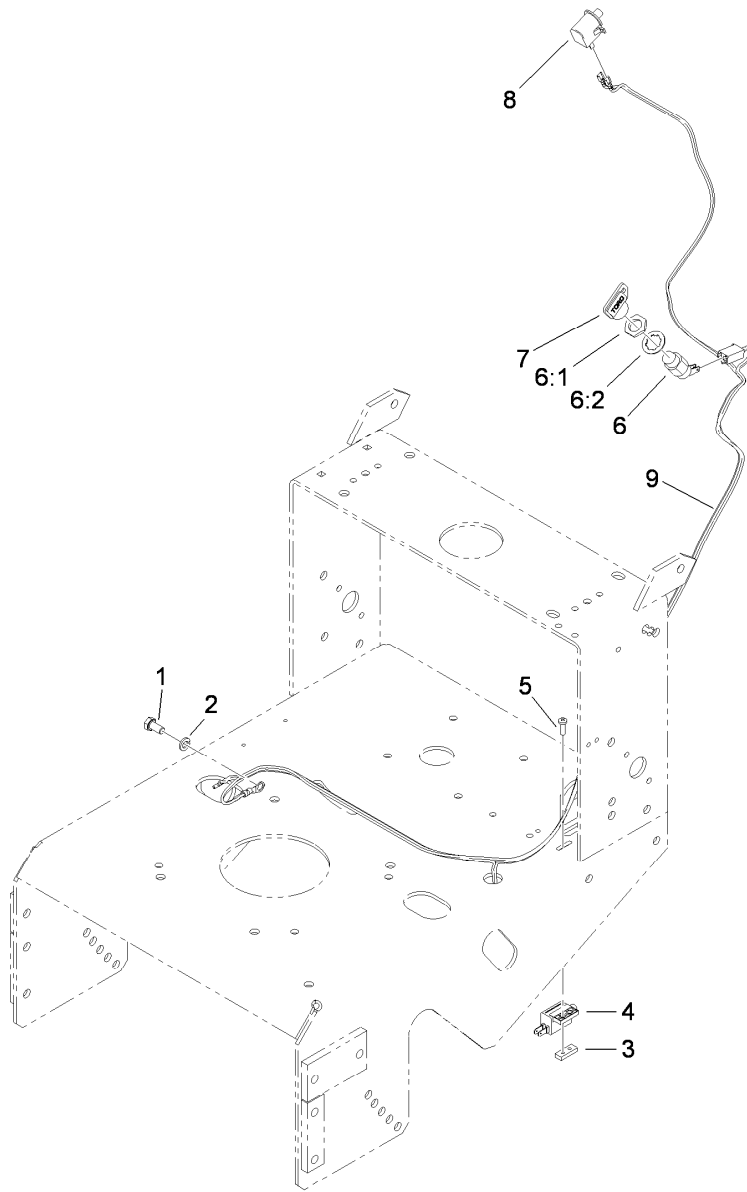
Ref.	Part Number	Qty.	Description	Ref.	Part Number	Qty.	Description
37	1-523157	6	Washer-Spacer	43	98-5975	4	Washer-Belleville
38	1-323744	2	Belt-Drive, Wheel	44	323-6	4	Screw-HH
39	3296-29	2	Nut-Lock, NI	45	1-373034	8	Washer
40	2412-104	2	Clamp-R	46	1-805005	8	Washer-Lock
41	98-3259	1	Shield-Trailing	47	1-323245	2	Spring-Compression
42	322-3	2	Screw-HH				

● Not serviced separately



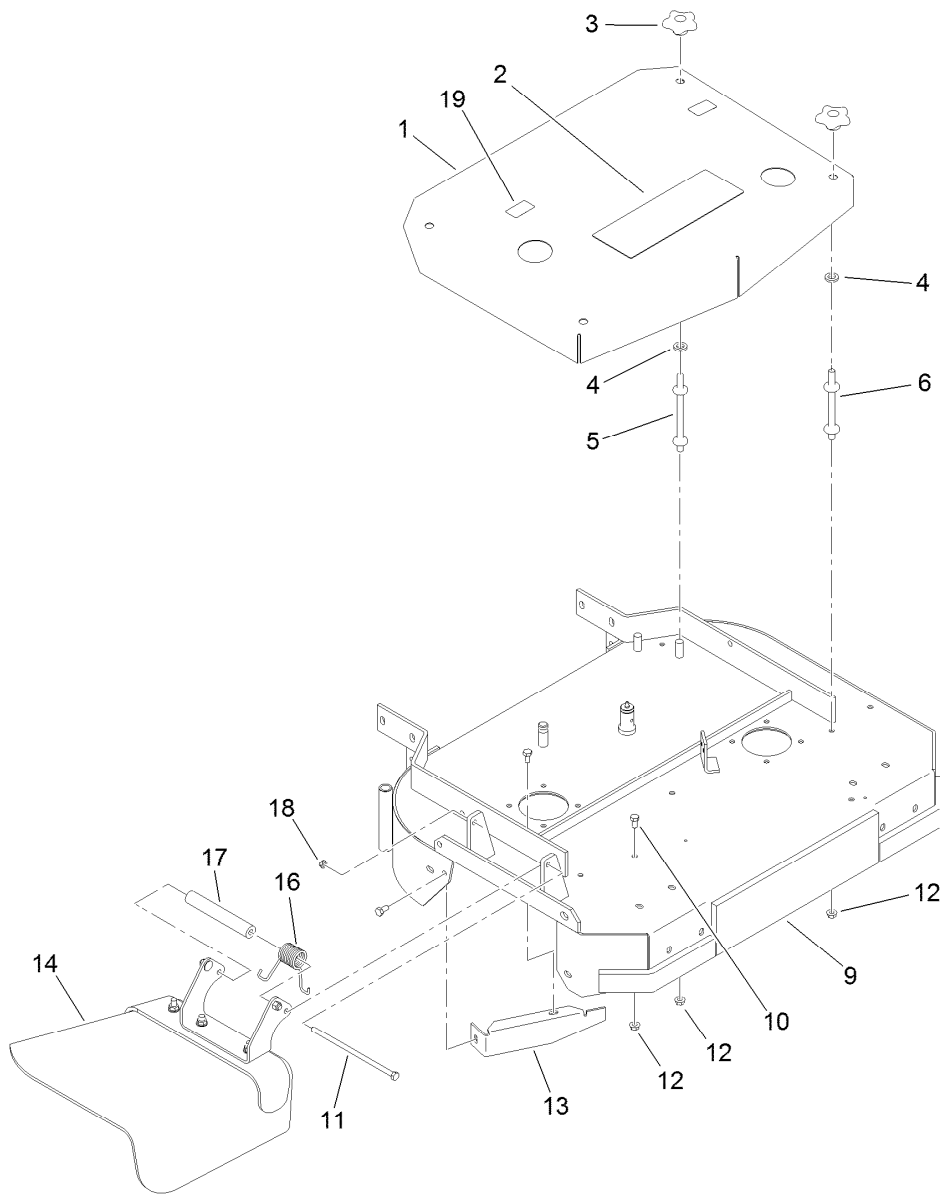
Handle and Control Assembly

Ref.	Part Number	Qty.	Description	Ref.	Part Number	Qty.	Description
1	132-4711	2	Rod-Control	20	95-5537	1	Decal-Engage, Deck
2	95-5522-03	1	Bar-Control	21	1-303335	2	Tie-Plastic
3	3296-2	5	Nut-Lock, NI	22	1-303160	1	Spring-Compression
4	93-7298	1	Decal-Bar, Control	23	3256-24	2	Washer-Flat
5	32105-1	1	Screw-SHH	24	104-8301	1	Nut-HF, NI
6	82-7680-03	1	Bail	26	98-3279	1	Linkage-Drive, Blade
7	93-7299	1	Decal-Reverse	27	98-3287-03	1	Lever-Engagement, Blade
8	3272-11	2	Pin-Cotter	28	3234-11	4	Screw-HHF
9	106-5477-03	1	Pivot-Control	30	140-4296	1	Control Panel ASM
11	98-3261-03	1	Lever-Brake, Parking	30:2	130-8374	1	Decal-Panel, Control
12	93-7442	1	Decal-Lever, Parking	30:3	140-1877	1	Decal - Warning, Control
14	1-806003	3	Pin-Cotter	32	32105-14	4	Screw-SHH
15	237-141	2	Grommet-Rubber	33	32128-21	4	Nut-HF
16	98-3267-03	1	Handle-Upper	34	99-8509	1	Spacer
17	283-55	2	Pin-Clevis	35	1-303020	1	Grip-Lever
18	119-6539	1	Cable-Throttle	36	323-10	1	Screw-HH



Wire Harness Assembly

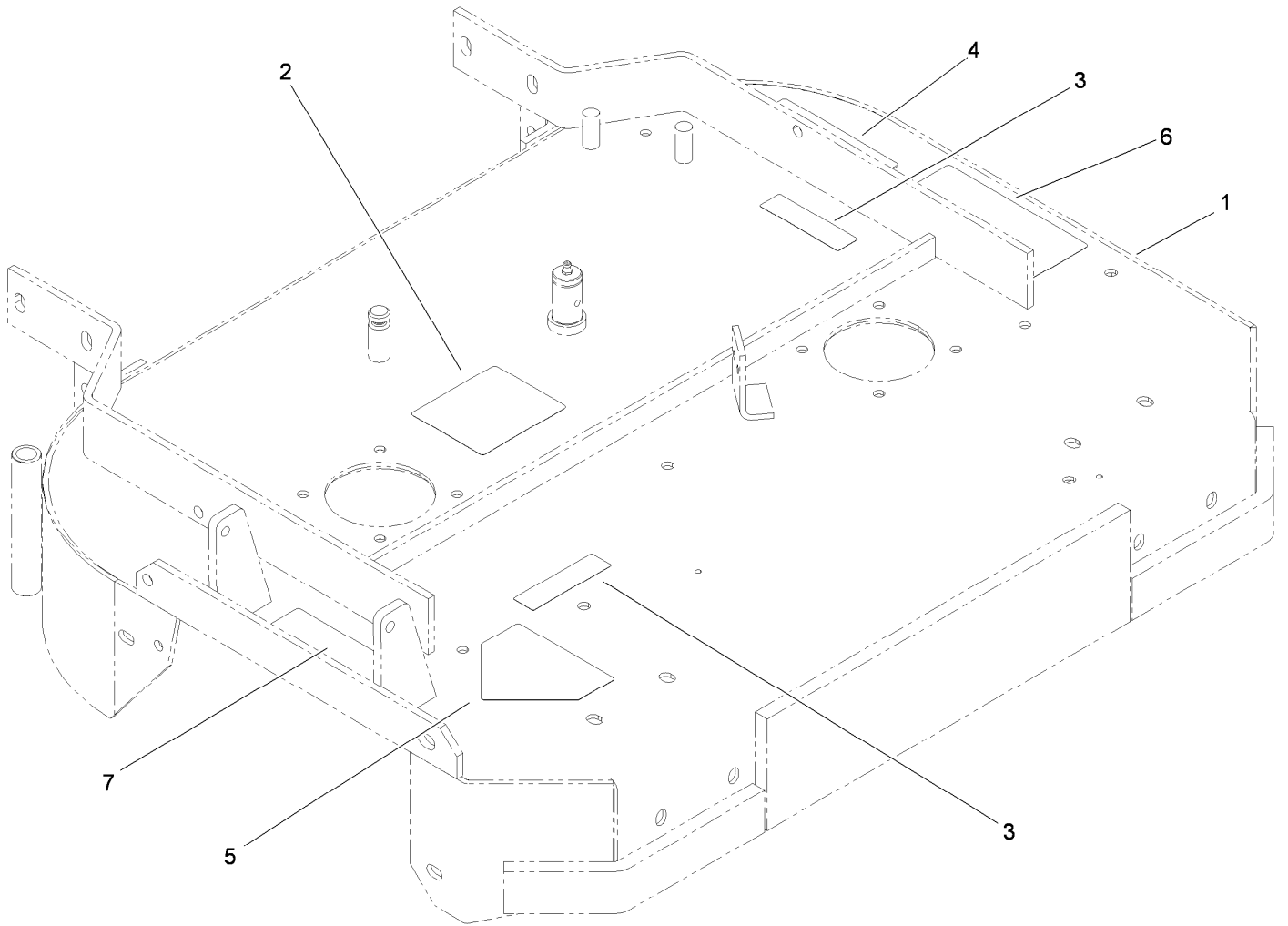
<i>Ref.</i>	<i>Part Number</i>	<i>Qty.</i>	<i>Description</i>
1	33114-016	1	Screw-HH
2	3253-4	1	Washer-Lock
3	1-633181	1	Plate-Tapped
4	1-513152	1	Switch-Closed, Normally
5	3290-500	2	Screw-PPH
6	29-5560	1	Switch-On / Off
6:1	218-461	1	Nut-HH
6:2	3254-5	1	Washer-Lock
7	63-8360	1	Key-Ignition
8	740275	1	Switch
9	119-6535	1	Harness-Wire



Deck and Shield Assembly

<i>Ref.</i>	<i>Part Number</i>	<i>Qty.</i>	<i>Description</i>
1	1-322149-01	1	Shield ASM
2	106-0710	1	Decal
3	106-4161	4	Knob-Handle
4	1-323417	4	Washer
5	1-303536	2	Stud-Shield, Belt (Long)
6	1-303537	2	Stud-Shield, Belt (Short)
9	110-6901	1	32 Inch Deck ASM
10	322-2	7	Screw-HH

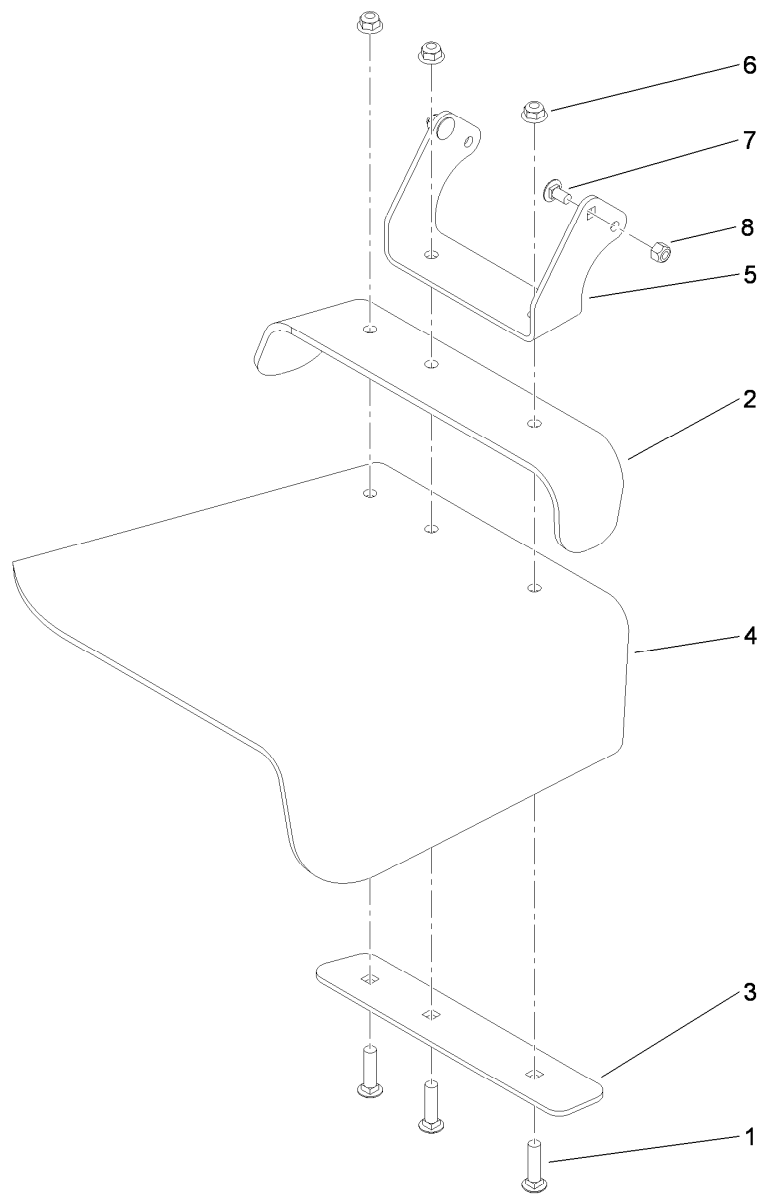
<i>Ref.</i>	<i>Part Number</i>	<i>Qty.</i>	<i>Description</i>
11	322-50	1	Screw-HH
12	32128-20	11	Nut-HF
13	116-1730-01	1	Baffle-Dogleg
14	119-6529	1	Deflector ASM
16	108-4052	1	Spring-Torsion
17	105-4622	1	Spacer
18	3296-47	1	Nut-Lock, NI
19	106-5517	2	Decal-Warning



Deck Decal Assembly No. 110-6901

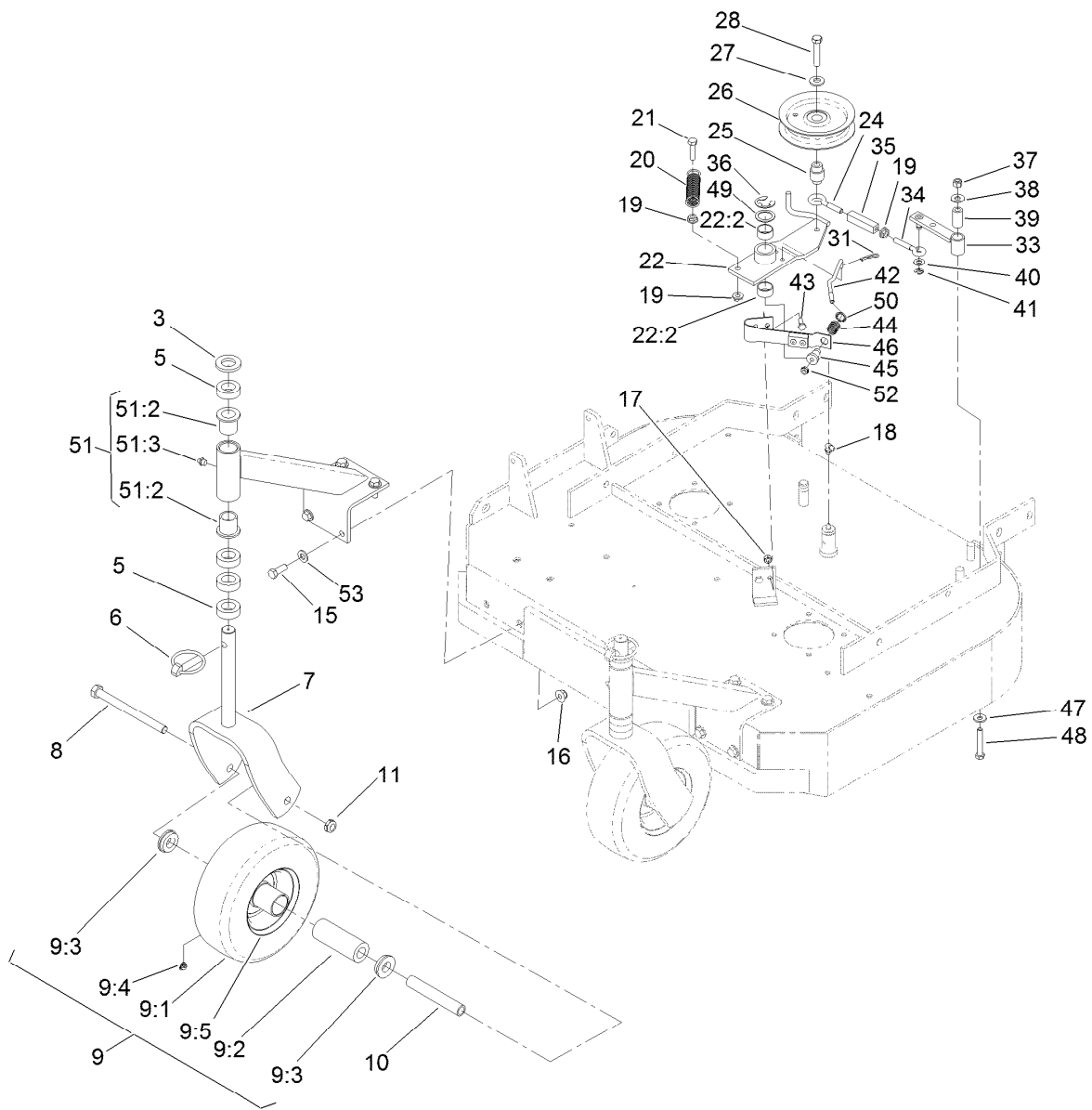
<i>Ref.</i>	<i>Part Number</i>	<i>Qty.</i>	<i>Description</i>
1		1	Deck ●
2	98-3296	1	Decal-Routing, Belt
3	112-9028	2	Decal-Cover, Missing
4	98-5130	1	Decal-Torque, Bolt
5	112-8760	1	Decal-Danger
6	93-7010	1	Decal-Danger
7	121-6049	1	Decal-Danger

● Not serviced separately



Deflector Assembly No. 119-6529

<i>Ref.</i>	<i>Part Number</i>	<i>Qty.</i>	<i>Description</i>
1	3231-4	3	Screw-CARR
2	107-4138-01	1	Strap-Deflector, Top
3	107-4139-01	1	Strap-Discharge
4	107-4137	1	Deflector-Rubber
5	119-6532-01	1	Bracket-Mounting, Deflector
6	104-8301	3	Nut-HF, NI
7	3230-18	2	Screw-CARR
8	3296-29	2	Nut-Lock, NI

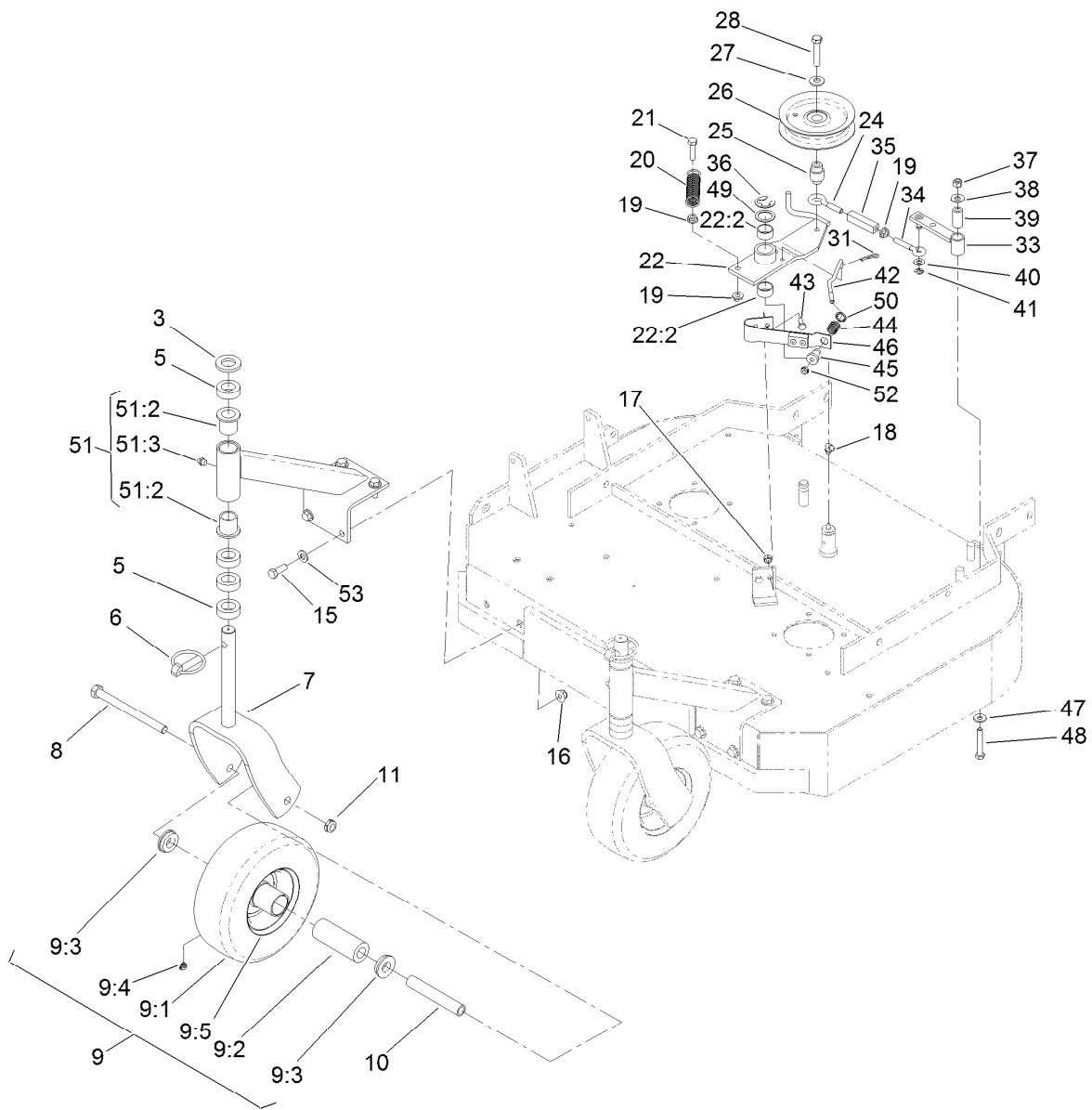


Idler Arm and Caster Wheel Assembly

Ref.	Part Number	Qty.	Description	Ref.	Part Number	Qty.	Description
3	1-513338	2	Washer-Flat	20	1-323071	1	Spring-Extension
5	1-303314	8	Spacer-Caster	21	116-3515	1	Screw-HH, Special
6	1-809020	2	Pin	22	103-3600	1	Idler Arm ASM
7	116-7942-01	2	Fork-Caster	22:2	1-323729	2	Sleeve-Bearing
8	325-20	2	Screw-HH	24	1-303348	1	Eyebolt-Thread, LH
9	130-4557	2	Wheel And Tire ASM	25	1-303434	1	Bushing-Engagement
9:1		1	Tire ■	26	132-4718	1	Pulley-Idler, Flat
9:2	1-513809	1	Bearing	27	98-5975	1	Washer-Belleville
9:3	1-513810	2	Bushing	28	702809	1	Screw-HH
9:4	302-61	1	Fitting-Grease	31	1-806003	1	Pin-Cotter
9:5		1	Wheel ■	33	1-322235	1	Arm-Assist, 32/36
10	1-513547	2	Spacer	34	1-303238	1	Eyebolt-Thread, RH
11	3296-45	2	Nut-Hex	35	1-303236	1	Body-Turnbuckle
15	323-6	8	Screw-HH	36	32151-103	1	Ring-Retaining, EXT
16	104-8301	8	Nut-HF, NI	37	3296-29	1	Nut-Lock, NI
17	3296-42	2	Nut-Lock, NI	38	3256-3	1	Washer-Flat
18	302-40	1	Fitting-Grease, 90 DEG	39	1-403179	1	Tube-Pivot
19	32128-20	3	Nut-HF	40	3256-23	1	Washer-Plain

● Not illustrated

■ Not serviced separately

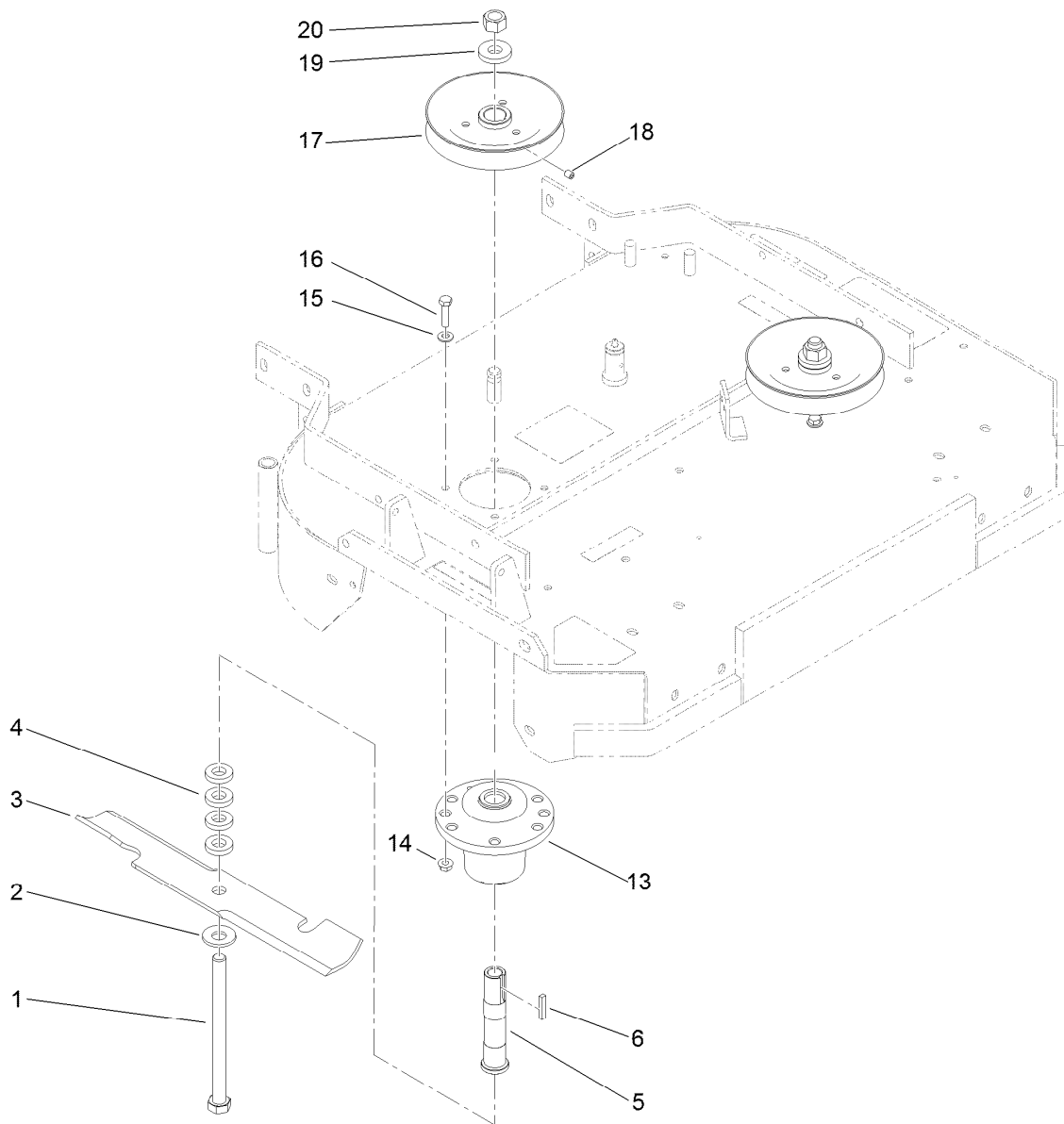


Idler Arm and Caster Wheel Assembly (continued)

Ref.	Part Number	Qty.	Description	Ref.	Part Number	Qty.	Description
41	32120-35	1	Ring-Retaining, EXT	47	1-303334	1	Washer-Spring
42	1-323718	1	Rod-Brake	48	322-10	1	Screw-HH
43	321-4	2	Screw-HH	49	1-303352	1	Washer-Spindle
44	1-323747	1	Spring-Compression	50	1-323748	1	Ring-Push On
45	1-323746	1	Spacer-Flanged	51	1-302203	2	Support ASM
46	1-324372	1	Pad And Spring ASM	51:2	1-303514	2	Bearing-Flanged
46:1	1-323709	1	Pad-Brake ●	51:3	302-52	1	Fitting-Grease
46:2	1-323710	1	Spring ●	52	3296-56	1	Nut-Lock, NI
46:3	103-0138	2	Rivet-Pop ●	53	3256-24	8	Washer-Flat

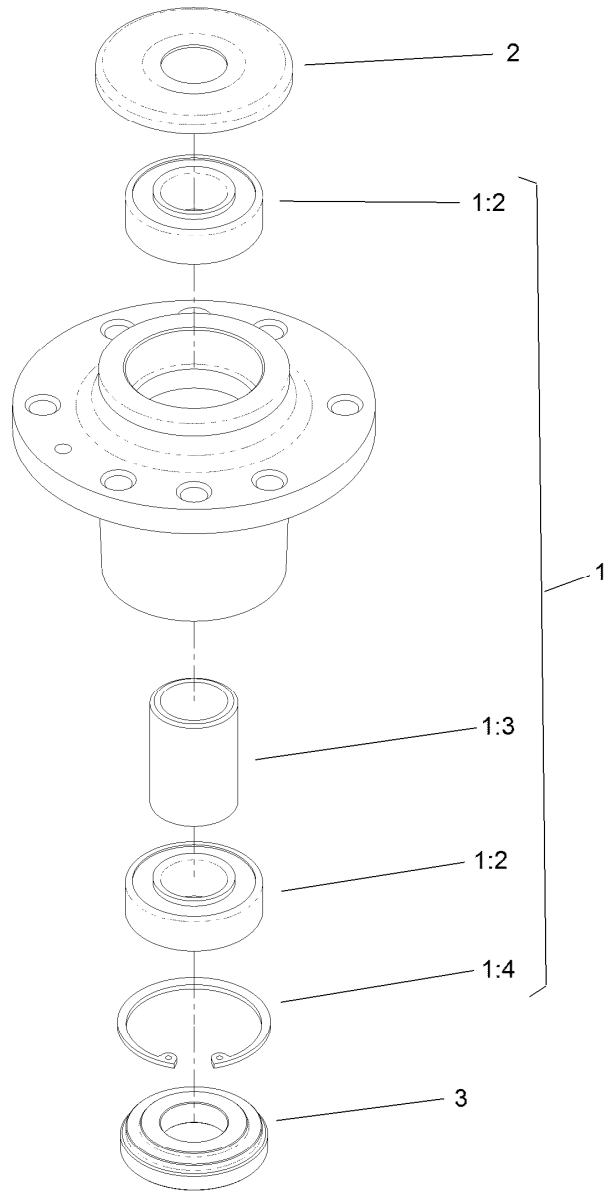
● Not illustrated

■ Not serviced separately



Spindle and Blade Assembly

<i>Ref.</i>	<i>Part Number</i>	<i>Qty.</i>	<i>Description</i>
1	1-800861	2	Screw-Cap, HH
2	1-513208	2	Washer-Spring
3	103-2527	2	Blade-Notched
4	1-323539	8	Spacer
5	1-323529	2	Tube-Spindle, Short
6	1-807267	2	Key
13	107-4065	2	Cutter Housing ASM
14	32128-20	8	Nut-HF
15	1-303334	8	Washer-Spring
16	322-6	8	Screw-HH
17	1-403183	2	Sheave
18	3246-18	2	Setscrew
19	1-323339	2	Washer-Retainer, Sheave
20	3219-6	2	Nut-Hex



Cutter Housing Assembly No. 107-4065

<i>Ref.</i>	<i>Part Number</i>	<i>Qty.</i>	<i>Description</i>
1		1	Cutter Housing ASM ●
1:2	103-2477	2	Bearing-Jackshaft
1:3	103-2534	1	Spacer-Bearing
1:4	32120-8	1	Ring-Snap
2	103-1330	1	Guard-Bearing, Top
3	103-2535	1	Spacer-Guard, Bottom

● Not serviced separately

Attachments and Accessories

For 30672 Commercial Walk-Behind Mower Fixed Deck, T-Bar, Gear Drive with 32in Cutting Unit

Product Name	Model/Part
Soft Bag (3 Bushel).....	30198
32in Recycler Kit.....	110-4915
Atomic Blade and Decal Assembly	104-8595
32in and 48in Fixed Deck Low Lift Blades.....	103-2507
Blade-Notched.....	103-2527
Blade-Atomic, 16.25in (6 Pack)	110-0407
Spring-Extension	110-1119
Spark Plug	92-2153
Oil Filter	119-5852
Fuel Filter.....	120-2235
Air Filter Element	120-7447
Oil-30/10W-30 Synthetic (Quart).....	138-6053
Toro 4-Cycle SAE 30 Oil (32oz Bottle)	38903

Notes:



Count on it.