



Count on it.

Parts Catalog

**LT-F3000 Heavy-Duty Triple Turf
Flail Mower**

Model No. 30659—Serial No. 316000001 and Up



Ordering Replacement Parts

To order replacement parts, please supply the part number, the quantity, and the description of each part desired.

Understanding Reference Numbers

Each identified part in an illustration has a reference number. The reference number for a part also appears in the parts list, along with other information about the part.

This catalog uses two special reference number formats, one to indicate parts in a service assembly and another to indicate the quantity of a given part in an illustration.

Service Assembly Reference Numbers

Parts in service assemblies have reference numbers in the form a:b. The a represents the reference number of the entire service assembly and the b represents a sequential number unique to each part within the service assembly.

For example, a wheel assembly might be identified by reference number 6, the tire by 6:1, the valve by 6:2, and the wheel by 6:3. When you order the assembly identified by reference number 6, you receive all parts identified by reference numbers 6:1, 6:2, and 6:3. However, you may also order any part individually. Reference numbers of this type appear in illustration and in parts lists.

Reference Numbers Indicating Quantity

In an illustration, if a reference number indicates more than one part, the reference number has the form nX y. The n represents the quantity of the part, the X is the multiplication symbol, and the y represents the reference number.

For example, in an illustration, the reference number 2X 37 means that two of the parts identified by reference number 37 are indicated.

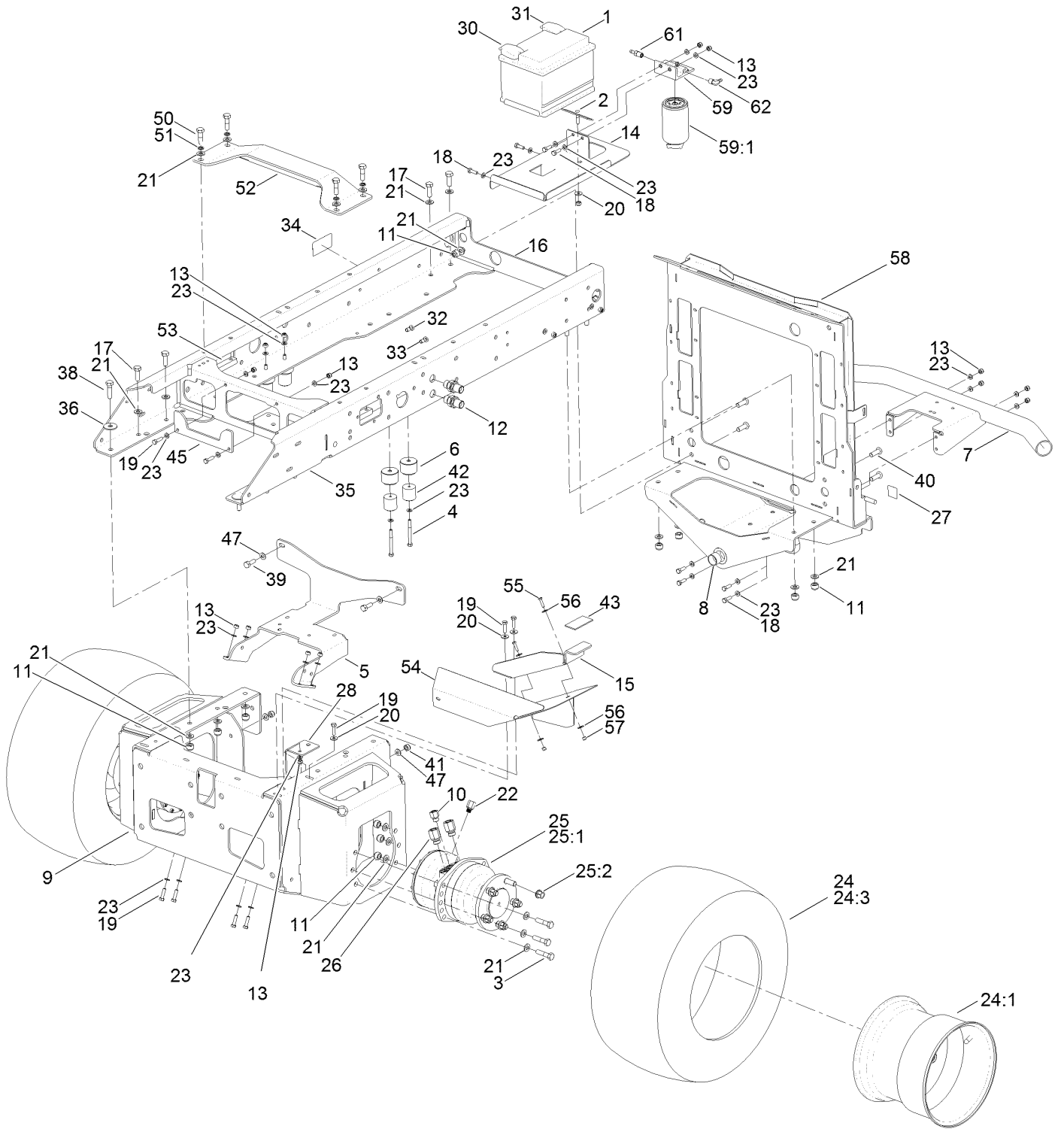
Contents

Chassis Assembly	6
Rear Axle Assembly	8
Front Arm Assembly	10
Center Arm Assembly	12
Engine and Muffler Assembly	14
Radiator and Oil Cooler Assembly	16
Seat Pan Assembly	18
Seat Assembly No. 111-4935	20
Steering Column Assembly No. 111-6756	22
Engine Cover Assembly	24
Hydraulic Manifold Assembly	26
Hydraulic Assembly	28
Manifold Hydraulic Assembly	30
Subsystem Hydraulic Manifold Assembly	32
Valve Control Assembly	34
Loom Kit Assembly	36
Control Arm Assembly	38
Control Pedals Assembly	40
Cutter Component Assembly	42
Cutterhead Assembly No. 111-9515	44
Center Head HOC Adjuster Assembly No. 111-9518	46
Front Head HOC Adjuster Assembly No. 111-9519	48
Fuel Tank and Storage Pod Assembly	50
Roll-Over Protection System Assembly	52
Hydraulic Oil Tank Assembly	54
Hydraulic Pump Assembly	56
Transmission Pump Assembly No. 111-8723	58
Transmission Hydraulic Hose Routing Assembly	60
Cutting Hydraulic Hose Routing Assembly	62
Cutting Hydraulic Hose Routing Assembly	64
Hydraulic Lift Cylinder Hose Routing Assembly	66
Filter Assembly	68
Crankcase Assembly	70
Oil Pan Assembly	71
Cylinder Head Assembly	72
Gear Case and Oil Filter Cartridge Assembly	73
Cylinder Head Cover Assembly	74
Oil Dipstick and Guide Assembly	75
Main Bearing Case Assembly	76
Cam Shaft and Idle Gear Assembly	77
Piston and Crankshaft Assembly	78
Flywheel Assembly	79
Fuel Camshaft and Governor Shaft Assembly	80
Idle Apparatus and Stop Solenoid Assembly	81
Injection Pump and Fuel Pump Assembly	82
Governor Assembly	83
Speed Control Plate Assembly	84
Nozzle Holder and Glow Plug Assembly	85
Nozzle Holder Assembly	86
Alternator, Pulley and Fan Assembly	87
Alternator Components Assembly No. 121-3811	88
Starter Installation Assembly	89
Starter Component Part Assembly No. 111-7496	90
Water Flange and Thermostat Assembly	91

Contents (continued)

Water Pump and Water Pipe Assembly	92
Reserve Tank Assembly	93
Valve and Rocker Arm Assembly	94
Inlet and Exhaust Manifold Assembly	95
Muffler Assembly	96
Turbo Charger Assembly	97
Oil Pipe (Turbo Charger) Assembly	98
Oil Cooler Assembly	99
Miscellaneous Engine Parts	100
Attachments and Accessories	101

Chassis Assembly

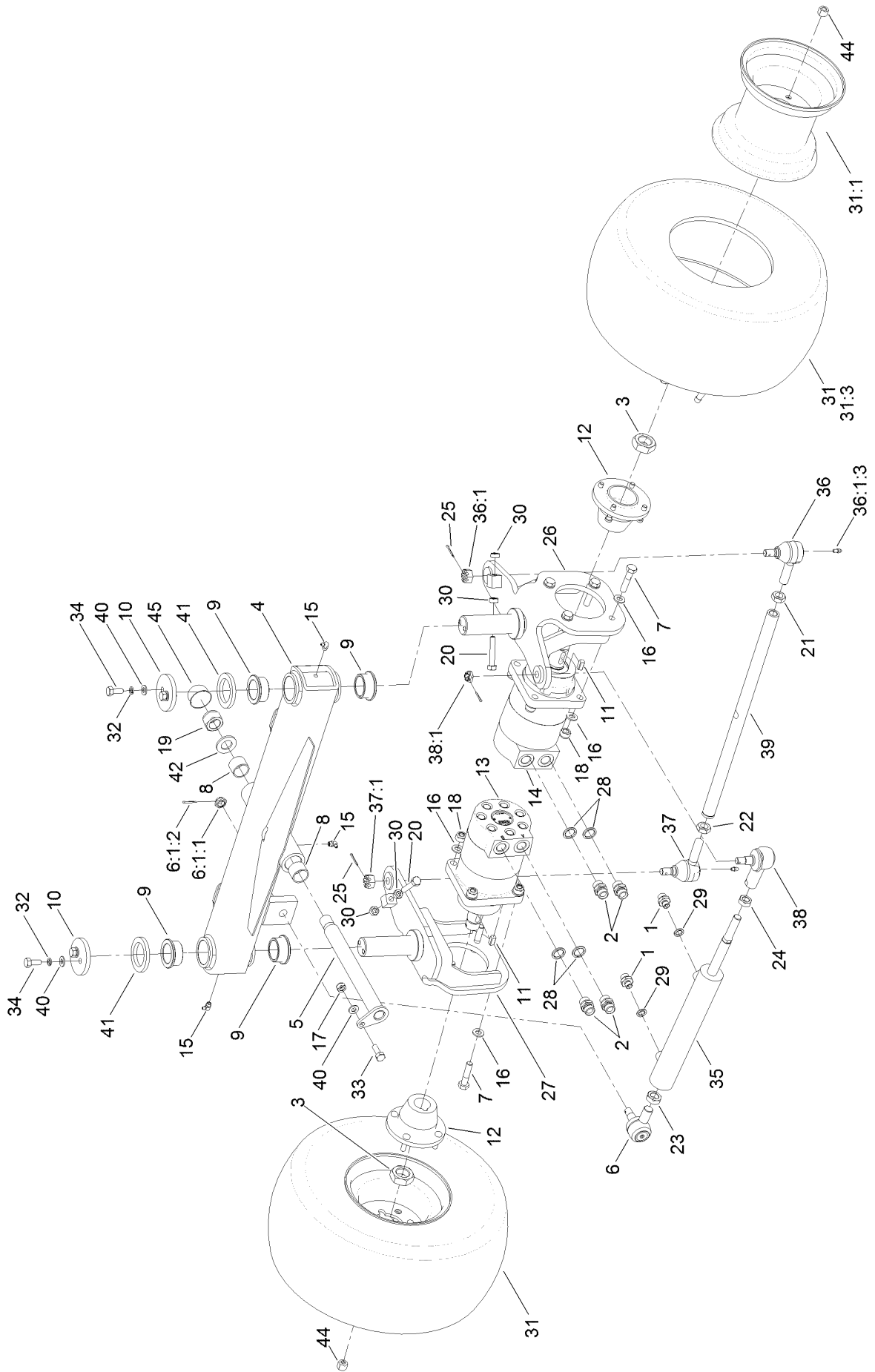


Chassis Assembly (continued)

<i>Ref.</i>	<i>Part Number</i>	<i>Qty.</i>	<i>Description</i>	<i>Ref.</i>	<i>Part Number</i>	<i>Qty.</i>	<i>Description</i>
1	70-09-015	1	Battery	31	70-09-172	1	Terminal-Negative
2	70-01-340	1	Retainer-Battery	32	111-3690	1	Cable-Battery, Positive
3	09552	12	Screw-HH	33	70-09-170	1	Cable-Battery, Negative
4	ZBH1H080U	4	Bolt	34	950889	1	Decal-Warning
5	111-6791-03	1	Bracket-Manifold, Cutter	35	111-3901	1	Decal-Transmission, Oil
6	111-5305	4	Bump-Stop	36	111-9529	2	Plate-Securing
7	111-9570-03	1	Bumper-Rear	38	ZBH1L045U	2	Screw-HH
8	65-07-051	2	Bushing	39	09392	2	Screw-HH
9	111-2105-03	1	Chassis-Front	40	09419	4	Screw-Soc, HD
10	111-3509	2	Adaptor	41	ZNN1J000U	2	Nut-Hex, NI
11	ZNN1L000U	26	Nut-Nyloc	42	61-07-003	4	Buffer-Rubber
12	111-9109	2	Fitting-Straight	43	HY910808	1	Strip-Neoprene
13	09441	22	Nut-Hex, NI	45	111-5538-03	1	Location-Plate
14	111-9658-03	1	Mount-Battery	47	09479	4	Washer-Plain
15	111-3217-03	1	Support-Platform, Front (LH)	50	63-11-010	4	Bolt-HH
16	111-8020-03	1	Chassis-Centre	51	09599	4	Washer-Lock
17	ZDH1L035U	8	Screw-HH	52	111-7065-03	1	Brace
18	03162	8	Screw-HH	53	111-7094	2	Brace-Chassis
19	09369	9	Screw-HH	54	111-7252-03	1	Deflector-Grass, Cutter (LH)
20	09267	4	Washer-Plain	55	09364	2	Screw-HH
21	HY09485	50	Washer-Plain	56	09262	5	Washer
22	111-3538	2	Adaptor	57	09544	2	Nut-Nyloc
23	ZWP1H000U	39	Washer-Plain	58	111-8460-03	1	Chassis-Rear
24	111-6878	2	Wheel ASM	59	110-9044	1	Separator-Filter
24:1	111-6879	1	Rim-Wheel	59:1	110-9049	1	Filter-Spin On
24:2	74-07-012	1	Tube-Inner ●	61	353-783	1	Fitting-STR
24:3	74-07-027	1	Tire	62	353-781	1	Fitting-HYD, 90
25	111-9105	2	Motor-Wheel, Front	63	09472	1	Washer-Plain ●
25:1	111-7059	5	Stud-Wheel	64	09438	1	Nut-Nyloc ●
25:2	74-07-016	5	Nut	65	56-7974	1	Clamp-Tube ●
25:99	111-9650	1	Kit-Seal ●	66	09547	1	Screw-HH ●
26	111-3529	4	Adaptor	99	110-6146	2	Hose-Fuel ●
27	70-13-072	1	Decal	99	117-0298	1	Hose-Fuel ●
28	111-9126-03	1	Bracket-Valve, Mounting	99	2412-80	2	Clamp-Hose ●
30	70-09-171	1	Terminal-Positive	99	70-09-081	2	Tubing ●
				99	92-2379	4	Clamp-Hose ●

● Not illustrated

Rear Axle Assembly



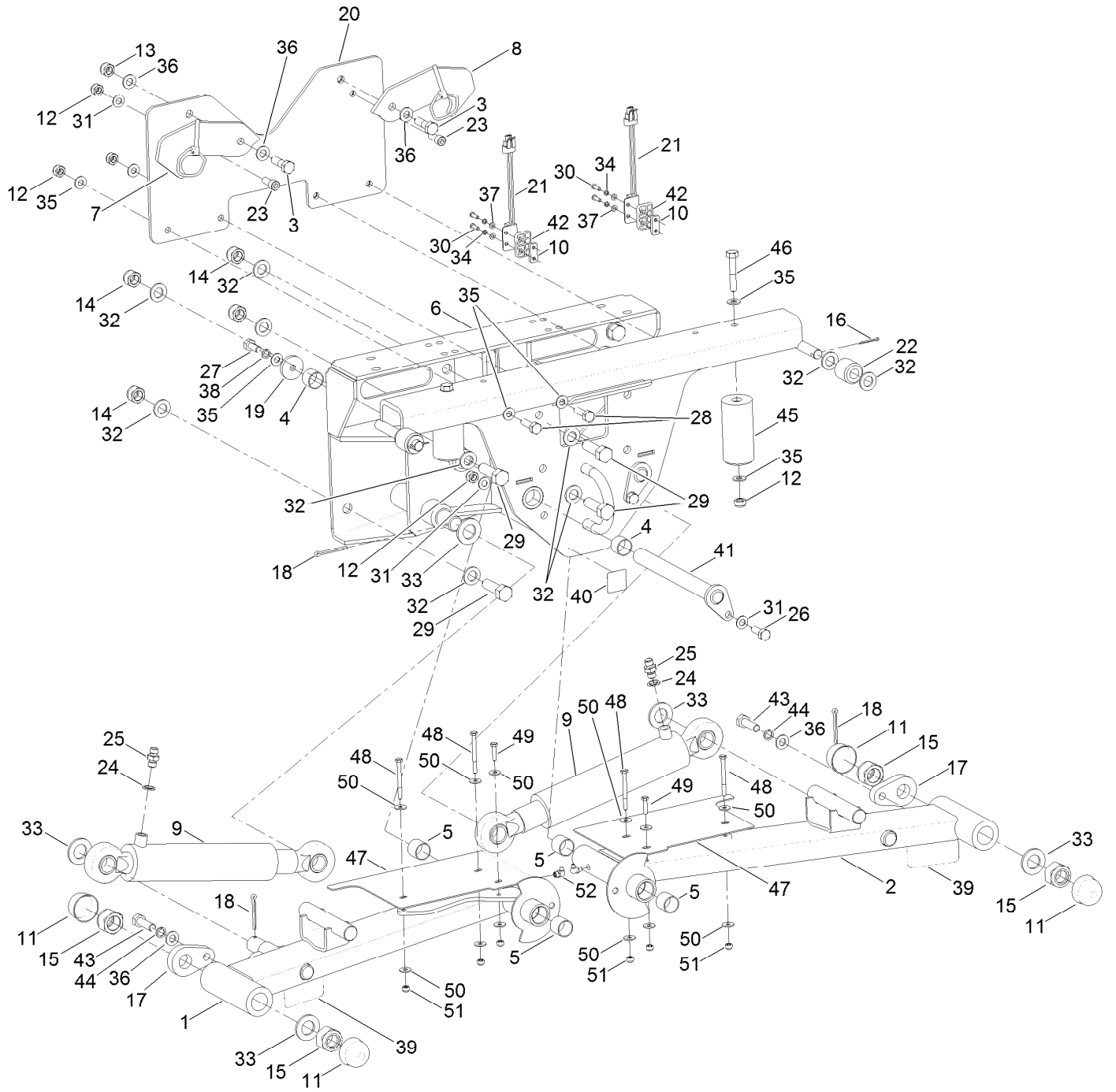
Rear Axle Assembly (continued)

<i>Ref.</i>	<i>Part Number</i>	<i>Qty.</i>	<i>Description</i>	<i>Ref.</i>	<i>Part Number</i>	<i>Qty.</i>	<i>Description</i>
1	50-06-009	2	Adaptor-BSP	28	10-06-032	4	Seal-Dowty
2	10-06-078	4	Adaptor-BSPP	29	10-06-030	2	Seal-Dowty
3	107-9319	2	Nut-Hex	30	09449	4	Nut
4	111-4995-03	1	Axle-Rear	31	111-6876	2	Wheel ASM
5	111-3265	1	Pin-Axle	31:1	111-6877	1	Rim-Wheel
6	111-6578-03	1	Joint-Ball	31:2	72-07-068	1	Tube-Inner ●
6:1		1	Ball Joint ●■	31:3	924803	1	Tire
6:1:1	111-5116	1	Nut-Castle	32	09480	4	Washer-Lock
6:1:2	09306	1	Pin-Split	33	09392	1	Screw-HH
7	ZBH1L055U	8	Bolt	34	09395	4	Screw-HH
8	70-05-031	2	Bushing	35	924724	1	HYD Steering Cylinder ASM
9	111-3681	4	Bushing-Flanged, Oilite	35:1	111-4872	1	Seal Kit ●
10	70-01-197	2	Cap-Washer	36	71-4740-03	1	RH Tie Rod End ASM
11	117-5198	2	Key-Square	36:1		1	End-Rod, Tie (RH) ●■
12	111-9238-03	2	Hub, Motor-Rear	36:1:1	105-7941	1	Nut-Hex, Slotted ●
12:2	65-07-019	4	Stud-Wheel ●	36:1:2	105-7835	1	Seal ●
13	111-8431	1	Motor-Wheel, Rear (LH)	36:1:3	302-5	1	Fitting-Grease
13:1	115-4061	1	Seal Kit ●	37	2411-46-03	1	LH Tie Rod ASM
14	111-8432	1	Motor-Wheel, Rear (RH)	37:1		1	End-Rod, Tie (LH) ●■
14:1	115-4061	1	Seal Kit ●	37:1:1	302-5	1	Fitting-Grease ●
15	63-07-027	3	Zerk-Grease, BSP (90 DEG)	37:1:2	105-7835	1	Seal ●
16	HY09485	16	Washer-Plain	37:1:3	105-7941	1	Nut-Hex, Slotted ●
17	ZNN1J000U	1	Nut-Hex, NI	38	111-5087-03	1	Joint-Ball
18	09650	8	Nut-Hex, Nyloc	38:1		1	Joint-Ball ●■
19	ZNN1X000U	1	Nut-Hex, Nyloc	38:1:1	111-5116	1	Nut-Castle ●
20	ZDH1J060U	2	Setscrew-HH	38:1:2	09306	1	Pin-Split ●
21	84-5300	1	Nut-Jam	39	111-7924-03	1	Rod-Tie
22	110-5337	1	Nut-Jam	40	ZWQ1J000U	5	Washer-Plain
23	09828	1	Nut	41	70-07-149	2	Washer-Felt
24	09827	1	Nut - Jam	42	09555	1	Washer
25	70-11-005	2	Pin-Split	44	65-07-009	8	Nut-Wheel, Dome
26	111-6599-03	1	Yoke-Rear, RH	45	10-11-100	1	Cap-Nut
27	111-6601-03	1	Yoke-Rear, LH				

● Not illustrated

■ Not serviced separately

Front Arm Assembly

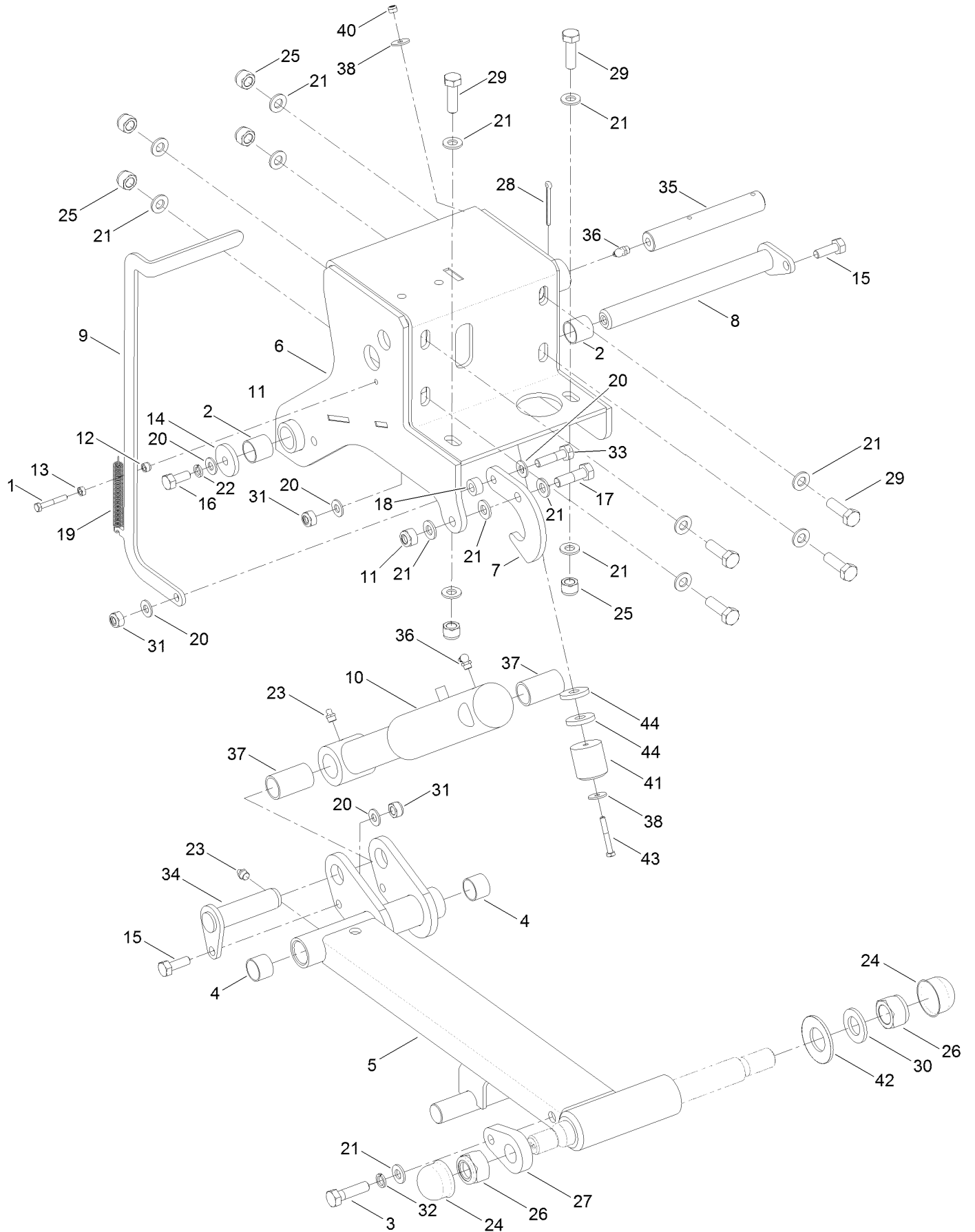


Front Arm Assembly (continued)

<i>Ref.</i>	<i>Part Number</i>	<i>Qty.</i>	<i>Description</i>	<i>Ref.</i>	<i>Part Number</i>	<i>Qty.</i>	<i>Description</i>
1	111-1390-03	1	Arm-Front, RH	27	09395	2	Screw-HH
2	111-4100-03	1	Arm-Front, LH	28	ZDH1J035U	4	Screw-HH
3	63-11-010	2	Bolt-HH	29	ZDH1P050U	8	Screw-HH
4	74-07-028	4	Bushing	30	ZDH1E016U	4	Screw-HH
5	876066	4	Bushing	31	09479	6	Washer-Plain
6	111-8096-03	1	Frame-Pivot, Arm	32	09491	20	Washer-Plain
7	111-7921-01	1	Plate-Latch, RH	33	09555	6	Washer
8	111-7922-01	1	Plate-Latch, LH	34	09644	4	Washer-Spring
9	111-1998	2	HYD Lift Cylinder ASM	35	ZWQ1J000U	14	Washer-Plain
9:1	111-3471	1	Seal Kit ●	36	HY09485	6	Washer-Plain
10	111-3336	2	Bar-Switch, Proximity	37	09470	4	Washer
11	10-11-100	4	Cap-Nut	38	09480	2	Washer-Lock
12	ZNN1J000U	10	Nut-Hex, NI	39	70-13-077	2	Decal-Danger
13	09650	2	Nut-Hex, Nyloc	40	70-13-072	1	Decal
14	09456	8	Nut	41	111-3248	2	Pin-Pivot, Front Arm
15	ZNN1X000U	4	Nut-Hex, Nyloc	42	111-3676	2	Spacer-Switch, Proximity
16	70-11-005	2	Pin-Split	43	ZDH1L040U	2	Screw-HH
17	63-01-185W	2	Retainer-Pin	44	09599	2	Washer-Lock
18	74-11-003	4	Pin-Split	45	111-4157	2	Stop-Bump
19	111-3366	2	Plate-Retaining, Bush	46	09397	2	Bolt
20	111-4093-03	1	Mount-Latch, Plate	47	111-6822-03	2	Deflector-Arm, Mounted
21	105-0023	2	Switch-Proximity	48	09703	4	Bolt-HH
22	922112	2	Roller	49	09364	2	Screw-HH
23	ZCS1J025U	2	Screw-HSH	50	09262	12	Washer
24	10-06-030	2	Seal-Dowty	51	09544	6	Nut-Nyloc
25	10-06-085	2	Adaptor	52	63-07-027	2	Zerk-Grease, BSP (90 DEG)
26	09392	2	Screw-HH				

● Not illustrated

Center Arm Assembly

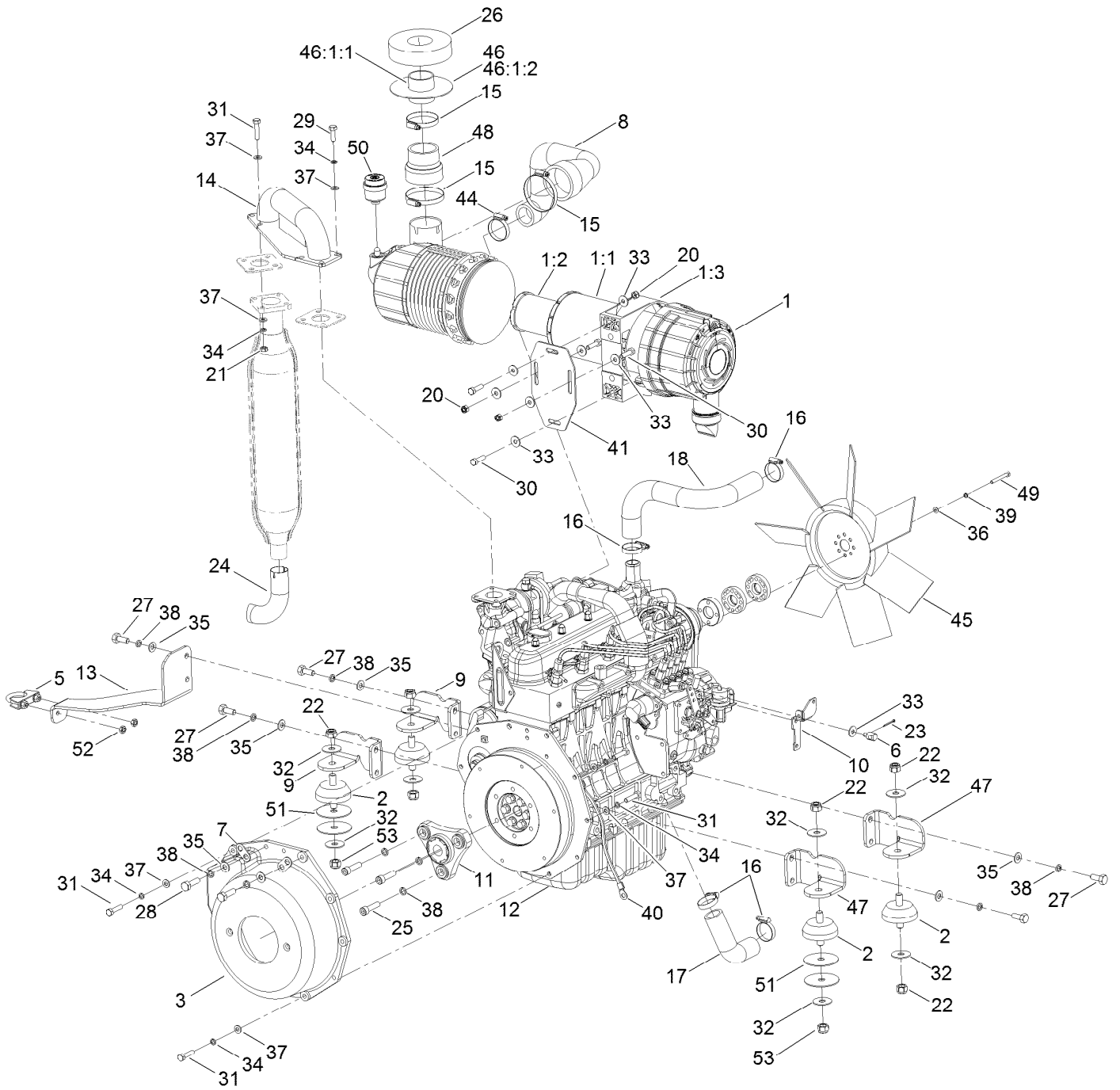


Center Arm Assembly (continued)

<i>Ref.</i>	<i>Part Number</i>	<i>Qty.</i>	<i>Description</i>	<i>Ref.</i>	<i>Part Number</i>	<i>Qty.</i>	<i>Description</i>
1	ZBH1F040U	1	Screw-HH	22	09480	1	Washer-Lock
2	74-07-028	2	Bushing	23	10-11-017	2	Fitting-Straight
3	ZBH1L045U	1	Screw-HH	24	10-11-100	2	Cap-Nut
4	876066	2	Bushing	25	ZNN1L000U	6	Nut-Nyloc
5	111-5158-03	1	Center Arm ASM	26	ZNN1X000U	2	Nut-Hex, Nyloc
6	111-5190-03	1	Center Arm Mount ASM	27	63-01-185W	1	Retainer-Pin
7	111-3099-01	1	Latch-Head, Center	28	74-11-003	1	Pin-Split
8	111-3248	1	Pin-Pivot, Front Arm	29	ZDH1L040U	6	Screw-HH
9	111-3122-01	1	Handle-Head, Center	30	09555	1	Washer
10	910109W	1	Cylinder-Lift	31	ZNN1J000U	3	Nut-Hex, NI
10:99	50-06-013	1	Seal Kit ●	32	09599	1	Washer-Lock
11	09650	1	Nut-Hex, Nyloc	33	09611	1	Bolt-HH
12	09544	1	Nut-Nyloc	34	74-05-108	1	Pin-Wing, Arm
13	09437	1	Nut	35	111-5212	1	Pin-Plain
14	111-3366	1	Plate-Retaining, Bush	36	63-07-027	2	Zerk-Grease, BSP (90 DEG)
15	09392	2	Screw-HH	37	25-07-007	2	Bushing-Tension
16	09395	1	Screw-HH	38	09263	2	Washer
17	63-11-010	1	Bolt-HH	40	09438	1	Nut-Nyloc
18	111-3457	1	Spacer-Latch, Center Head	41	61-07-003	1	Buffer-Rubber
19	111-3329	1	Spring-Latch, Center Head	42	767815	1	Washer-Belleville
20	ZWQ1J000U	5	Washer-Plain	43	ZDH1F050U	1	Setscrew
21	HY09485	16	Washer-Plain	44	63-01-115	2	Washer

● Not illustrated

Engine and Muffler Assembly



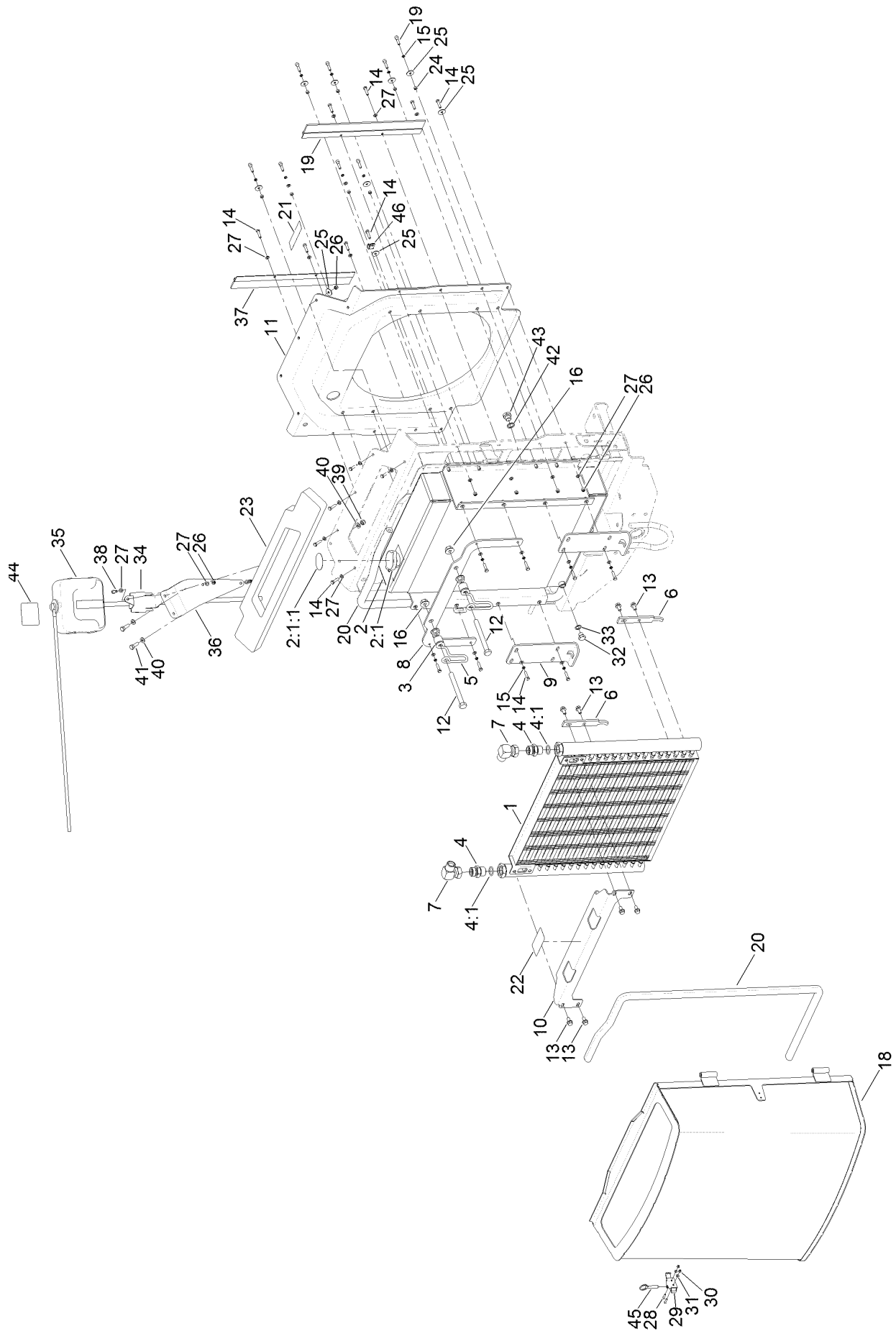
Engine and Muffler Assembly (continued)

<i>Ref.</i>	<i>Part Number</i>	<i>Qty.</i>	<i>Description</i>	<i>Ref.</i>	<i>Part Number</i>	<i>Qty.</i>	<i>Description</i>
1	111-5014	1	Cleaner-Air	28	111-0597	2	Screw-HH
1:1	111-5015	1	Filter-Air, Element	29	03162	4	Screw-HH
1:2	111-5016	1	Filter-Air, Safety	30	09369	4	Screw-HH
1:3	111-5017	1	Strap-Cleaner, Air	31	ZDH1H035U	12	Screw-HH
2	910816	4	Isomount-Engine	32	09283	8	Washer
3	922851	1	Housing-Bell	33	09267	9	Washer-Plain
5	111-9717	1	Clamp-Exhaust	34	03469	16	Washer-Spring
6	111-3298	1	Pivot-Throttle, Boss	35	ZWQ1J000U	12	Washer-Plain
7	74-01-327	2	Bracket-Loom, Tie	36	ZWP1F000U	4	Washer-Plain
8	111-8478	1	Hose-Inlet, Turbo	37	ZWP1H000U	20	Washer-Plain
9	111-3043-03	2	Bracket-Mount, Engine	38	09480	15	Washer-Lock
10	111-3299-03	1	Bracket-Throttle	39	09474	4	Washer-Spring
11	111-2556	1	Coupling	40	70-09-023	1	Cable-Earth
12	111-7496	1	Engine-Kubota	41	111-8416-03	1	Bracket Air Cleaner
13	111-3045-03	1	Stay-Exhaust	44	924437	1	Clamp-Hose
14	111-8413	1	Flange, Exhaust	45	110-8852	1	Fan-Cooling
15	65-07-042	3	Clip-Hose	46	111-9176-03	1	Air Intake ASM
16	924438	4	Clamp-Hose	46:1		1	Air Intake ASM ●■
17	111-8256	1	Hose-Radiator, Bottom	46:1:1	111-9174	1	Tube, Intake-Air
18	910921	1	Hose-Top	46:1:2	111-9175	1	Plate, Intake-Air
20	09441	4	Nut-Hex, NI	47	111-7141-03	2	Bracket-Mount, Engine
21	ZNH1H000U	4	Nut-Hex	48	111-9156	1	Reducer, Intake-Air
22	09231	6	Nut-Hex	49	ZDH1F050U	4	Setscrew
23	70-11-005	1	Pin-Split	50	953870	1	Indicator-Filter Blockage
24	940213	1	Tail Pipe-Exhaust	51	111-9707	4	Washer-Plain
25	111-3806	3	Screw-HSH	52	ZNB1H000U	2	Nut
26	111-9177	1	Pad-Intake, Air	53	HY4486	2	Nut-Unf
27	50-11-005	10	Screw-HH				

● Not illustrated

■ Not serviced separately

Radiator and Oil Cooler Assembly

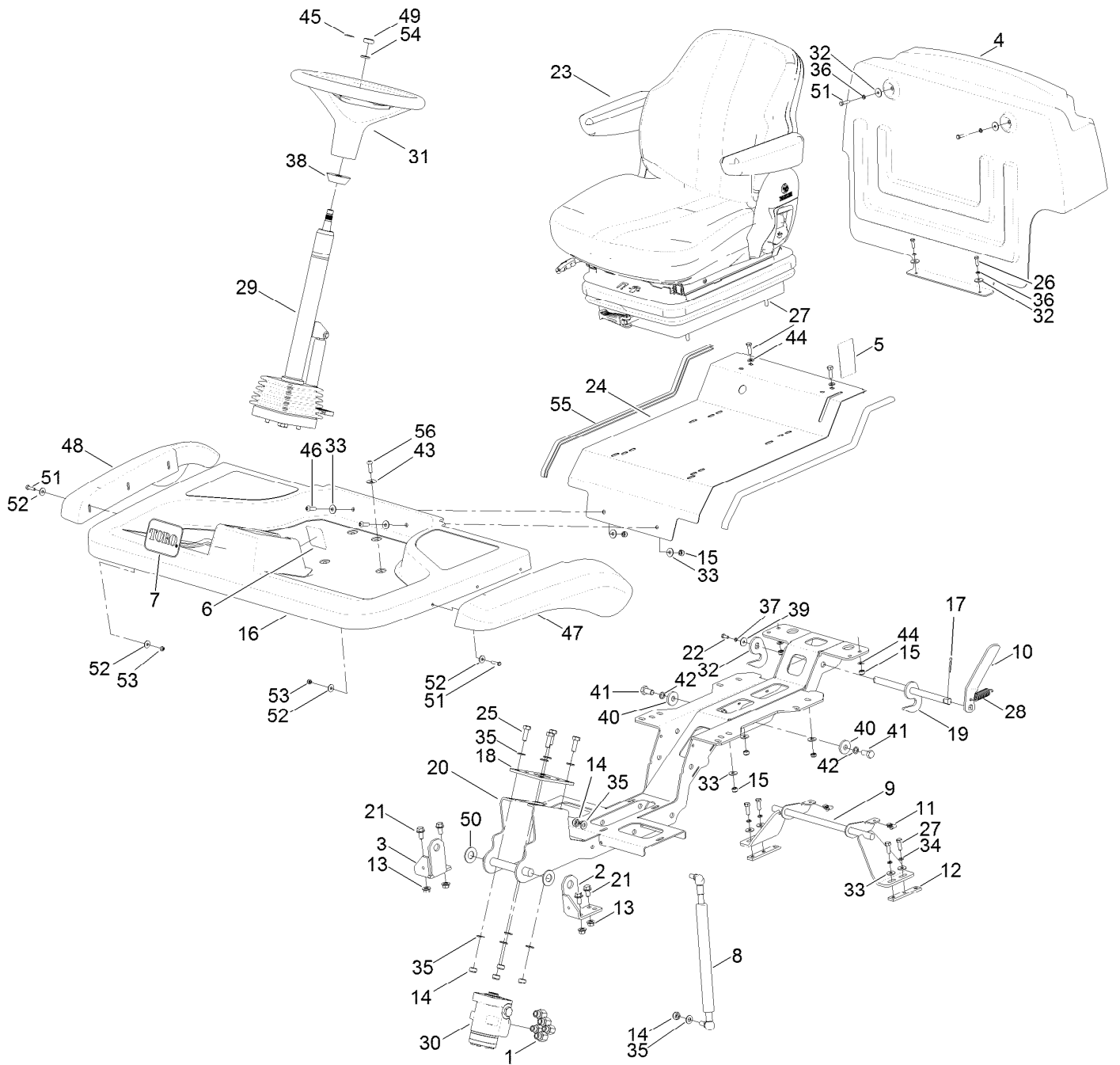


Radiator and Oil Cooler Assembly (continued)

<i>Ref.</i>	<i>Part Number</i>	<i>Qty.</i>	<i>Description</i>	<i>Ref.</i>	<i>Part Number</i>	<i>Qty.</i>	<i>Description</i>
1	110-0485	1	Cooler-Oil	24	111-9157	8	Bush
2	111-7999	1	Radiator	25	09263	13	Washer
2:1	111-9475	1	Cap-Radiator	26	09438	15	Nut-Nyloc
2:1:1	117-3276	1	Decal-Danger	27	09472	33	Washer-Plain
3	111-9283	2	Spacer-Cooler, Oil (Latch)	28	111-3473	2	Screw-Button
4	70-06-050	2	Adaptor-Boss	29	115-1554	1	Latch-Draw
4:1	70-06-168	1	Seal-O Ring	30	09657	2	Nut-Insert, NI
5	104-5429	2	Clamp-Form, Wire	31	09658	2	Washer
6	104-5460-03	2	Plate-Mount, Oil Cooler	32	30-06-200	1	Plug-HYD
7	111-4443	2	Elbow-BSP	33	111-3925	1	Washer-Fiber
8	111-8011-03	1	Plate-Catch	34	108-9930-03	1	Bracket-Bottle
9	111-8226-03	2	Bracket-Cooler, Oil	35	111-7452	1	Tank-Reserve, Coolant
10	111-8440-03	1	Plate-Latch, Oil Cooler	36	111-9079-03	1	Plate-Bottle, Overflow
11	111-8455	1	Fan Cowl	37	111-9547	2	Brush Strip
12	325-38	2	Screw-HH	38	09363	2	Screw-HH
13	3234-14	8	Screw-HHF	39	09441	2	Nut-Hex, NI
14	09364	21	Screw-HH	40	ZWP1H000U	4	Washer-Plain
15	09474	16	Washer-Spring	41	03162	2	Screw-HH
16	32128-49	4	Nut-HHF	42	111-9626	1	Washer-Fiber
18	111-8470-03	1	Screen-Rear	43	50-06-207	1	Plug
19	ZCS1F025U	8	Screw-HSH	44	111-9647	1	Decal
20	115-4360	2	Seal-Bulb	45	115-1556	1	Pin-Ball, Detent
21	111-3902	1	Decal-Engine, Fan/Radiator	46	70-07-109	1	Clip-Cable
22	950889	1	Decal-Warning	99	92-2379	2	Clamp-Hose ●
23	111-9460	1	Seal-Duct				

● Not illustrated

Seat Pan Assembly



Seat Pan Assembly (continued)

<i>Ref.</i>	<i>Part Number</i>	<i>Qty.</i>	<i>Description</i>	<i>Ref.</i>	<i>Part Number</i>	<i>Qty.</i>	<i>Description</i>
1	111-3509	5	Adaptor	30:99	94-4095	1	Centering Spring Kit ●
2	111-3243-03	1	Bracket-Platform Pivot, LH	30:99	130-8358	1	Seal Kit ●
3	111-2665-03	1	Bracket-Platform Pivot, RH	31	98-1471	1	Wheel-Steering
4	111-8497	1	Bulkhead	31:1	98-1468	1	Cover-Wheel, Steering ●
5	111-3566	1	Decal-Latch, Platform	32	09263	5	Washer
6	111-3562	1	Decal	33	09267	18	Washer-Plain
7	67-1300	1	Decal	34	03469	4	Washer-Spring
8	111-3510	1	Spring-Gas	35	ZWQ1J000U	10	Washer-Plain
9	111-3140-03	1	Bar-Latch	36	09264	4	Washer-Spring
10	111-3269-03	1	Lever-Latch, Platform	37	09474	1	Washer-Spring
11	410076	2	Nut	38	93-5429	1	Collar-Foam
12	111-3281	2	Bar-Nut	39	111-3268	1	Latch-Plate, Platform
13	63-11-015	4	Nut-Hex	40	63-01-115	2	Washer
14	ZNN1J000U	6	Nut-Hex, NI	41	09571	2	Screw-HH
15	09441	14	Nut-Hex, NI	42	09599	2	Washer-Lock
16	111-9744	1	Operator Platform ASM	43	09270	6	Washer-Plain
17	70-11-004	1	Pin-Split	44	ZWP1H000U	4	Washer-Plain
18	111-2899-03	1	Plate-Mount, Pump (Steering)	45	98-1459	1	Decal
19	111-3266	1	Latch-Platform	46	ZHS1H025U	2	Screw-HSBH
20	111-9565-03	1	Support-Platform	47	111-4921	1	Mudguard-LH
21	63-11-018	4	Screw-Durloc	48	111-4922	1	Mudguard-RH
22	09362	1	Screw-HH	49	09827	1	Nut - Jam
23	111-4935	1	Seat ASM (Incl. Seat Belt)	50	09499	2	Washer
24	111-3069-03	1	Pan-Seat	51	09364	8	Screw-HH
25	09392	4	Screw-HH	52	09262	12	Washer
26	09363	2	Screw-HH	53	09438	6	Nut-Nyloc
27	03162	10	Screw-HH	54	HY4200	1	Washer-Spring
28	70-07-063	1	Spring-Extension	55	50-08-001	2	Edging-Rubber
29	111-6756	1	Steering Column ASM	56	ZHS1H025U	6	Screw-HSBH
30	111-7464	1	Valve-Control, Steering	99	994808	1	Excluder-Draught ●

● Not illustrated

Seat Assembly No. 111-4935

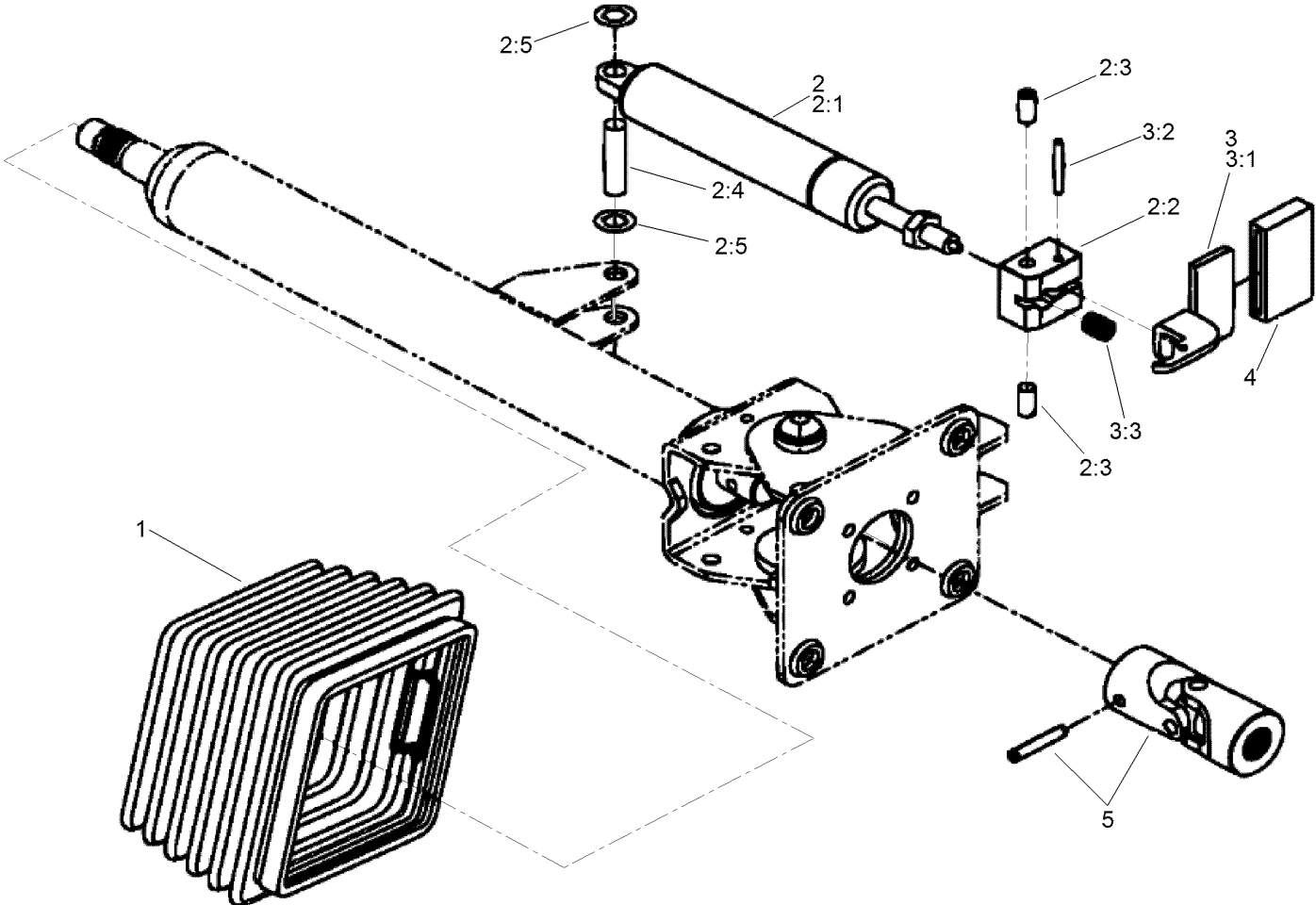


Seat Assembly No. 111-4935 (continued)

<i>Ref.</i>	<i>Part Number</i>	<i>Qty.</i>	<i>Description</i>	<i>Ref.</i>	<i>Part Number</i>	<i>Qty.</i>	<i>Description</i>
1	111-4936	1	Retractable Seat Belt ASM	3	111-5544	1	Cushion-Backrest
2	111-5543	1	Cushion-Seat	99	111-0410	1	Switch-Presence, Operator
							●

● Not illustrated

Steering Column Assembly No. 111-6756

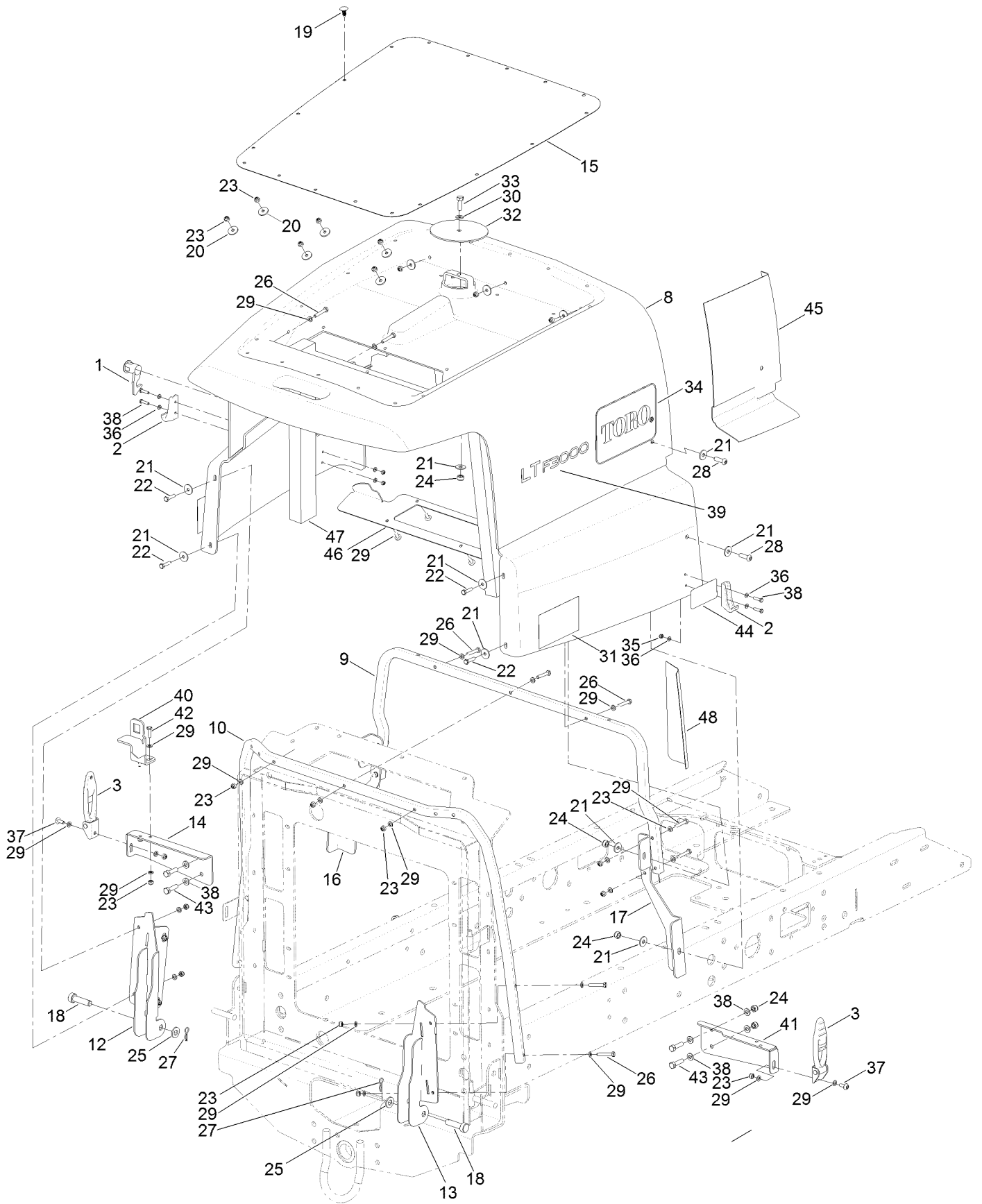


Steering Column Assembly No. 111-6756 (continued)

<i>Ref.</i>	<i>Part Number</i>	<i>Qty.</i>	<i>Description</i>	<i>Ref.</i>	<i>Part Number</i>	<i>Qty.</i>	<i>Description</i>
1	110-6462	1	Bellows-Rubber	3	110-6464	1	Pedal Service Kit
2	110-6463	1	Cylinder Service Kit	3:1		1	Pedal ●
2:1		1	Cylinder-Gas ●	3:2		1	Pin ●
2:2		1	Block-Pedal ●	3:3		1	Spring ●
2:3		2	Bolt ●	4	110-6465	1	Cover-Pedal
2:4		1	Pin ●	5	111-7314	1	Universal Joint Kit
2:5		2	Washer-Lock ●				

● Not serviced separately

Engine Cover Assembly

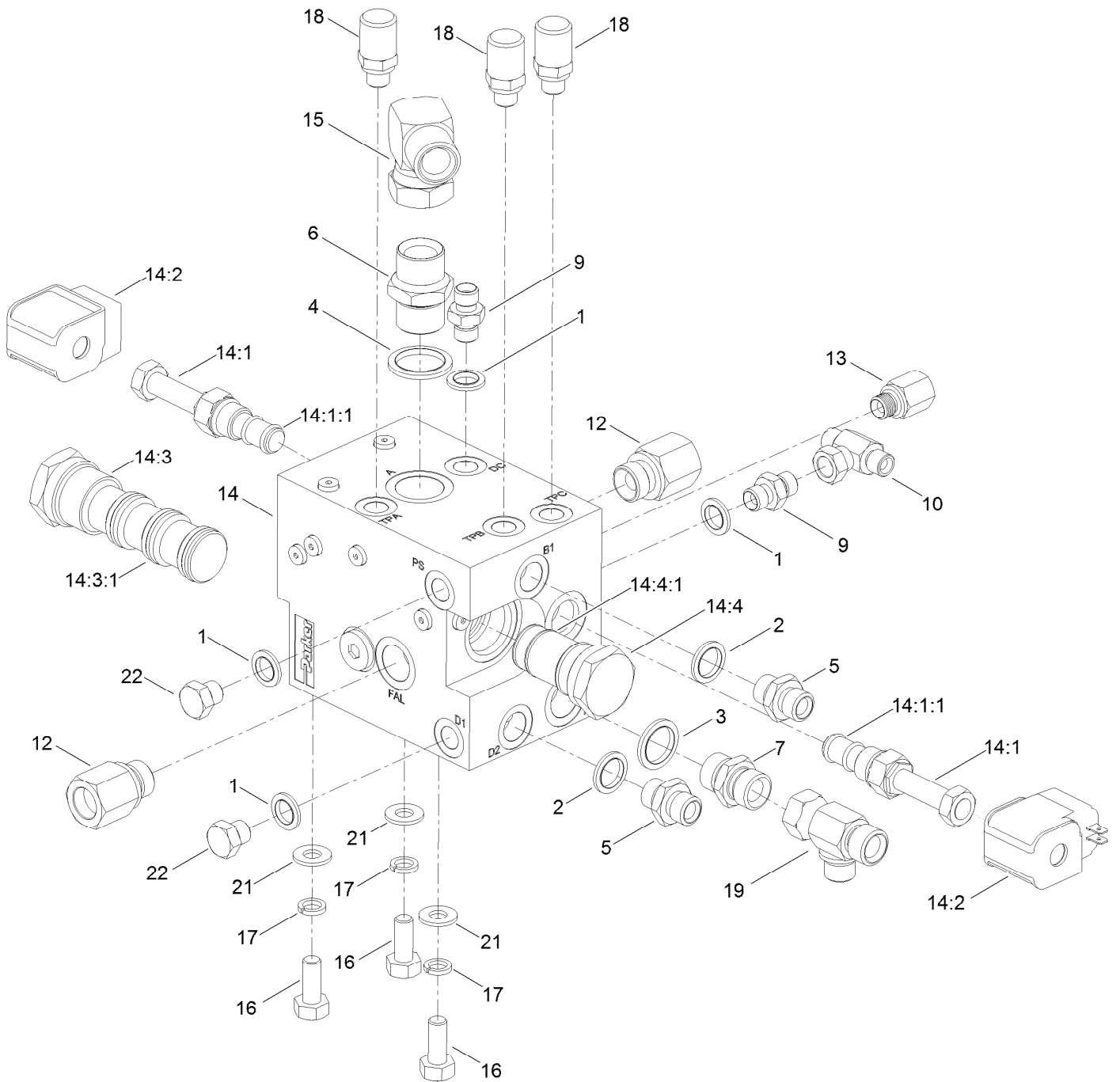


Engine Cover Assembly (continued)

<i>Ref.</i>	<i>Part Number</i>	<i>Qty.</i>	<i>Description</i>	<i>Ref.</i>	<i>Part Number</i>	<i>Qty.</i>	<i>Description</i>
1	98-5398	1	Latch	28	ZHS1H025U	4	Screw-HSBH
2	103-2897	2	Latch-Catch	29	09472	37	Washer-Plain
3	103-2898	2	Latch-Rubber	30	ZWP1H000U	9	Washer-Plain
8	111-8495	1	Cover-Engine	31	94-8099	2	Decal
9	111-9053-03	1	Tube-Front, Cover Frame	32	111-3557-03	1	Cover-Air, Intake
10	111-9054-03	1	Tube-Rear, Cover Frame	33	03162	1	Screw-HH
12	111-9058-03	1	Hinge-Cover, LH	34	111-3728	2	Decal
13	111-9060-03	1	Hinge-Cover, RH	35	09430	4	Nut-Nyloc
14	111-9103-03	1	Bracket-Cover, Latch	36	09470	8	Washer
15	111-9117-03	1	Screen-Cover, Engine	37	09784	8	Screw-Soc, HD
16	111-9331-03	1	Mount-Cover, Front (LH)	38	ZDH1E020U	4	Screw-HH
17	111-9332-03	1	Mount-Cover, Front (RH)	39	111-9400	2	Decal
18	111-9178	2	Pin-Hinge, Cover	40	111-9464-03	1	Bracket-Cover, Lock
19	117-2382	18	Plug-Plastic	41	111-9468-03	1	Bracket-Cover, Latch (RH)
20	09263	13	Washer	42	09363	2	Screw-HH
21	09267	9	Washer-Plain	43	09369	4	Screw-HH
22	09364	4	Screw-HH	44	950889	1	Decal-Warning
23	09438	28	Nut-Nyloc	45	111-9481	1	Heat Shield
24	09441	9	Nut-Hex, NI	46	111-9523-03	1	Plate-Cover, Seal
25	HY09485	2	Washer-Plain	47	111-9524	2	Seal-Frame
26	09645	14	Setscrew-HH	48	111-9536	1	Heat-Shield, Lower
27	H192040	2	Clip-R	99	111-7488	3	Seal-Cover, Screen ●

● Not illustrated

Hydraulic Manifold Assembly

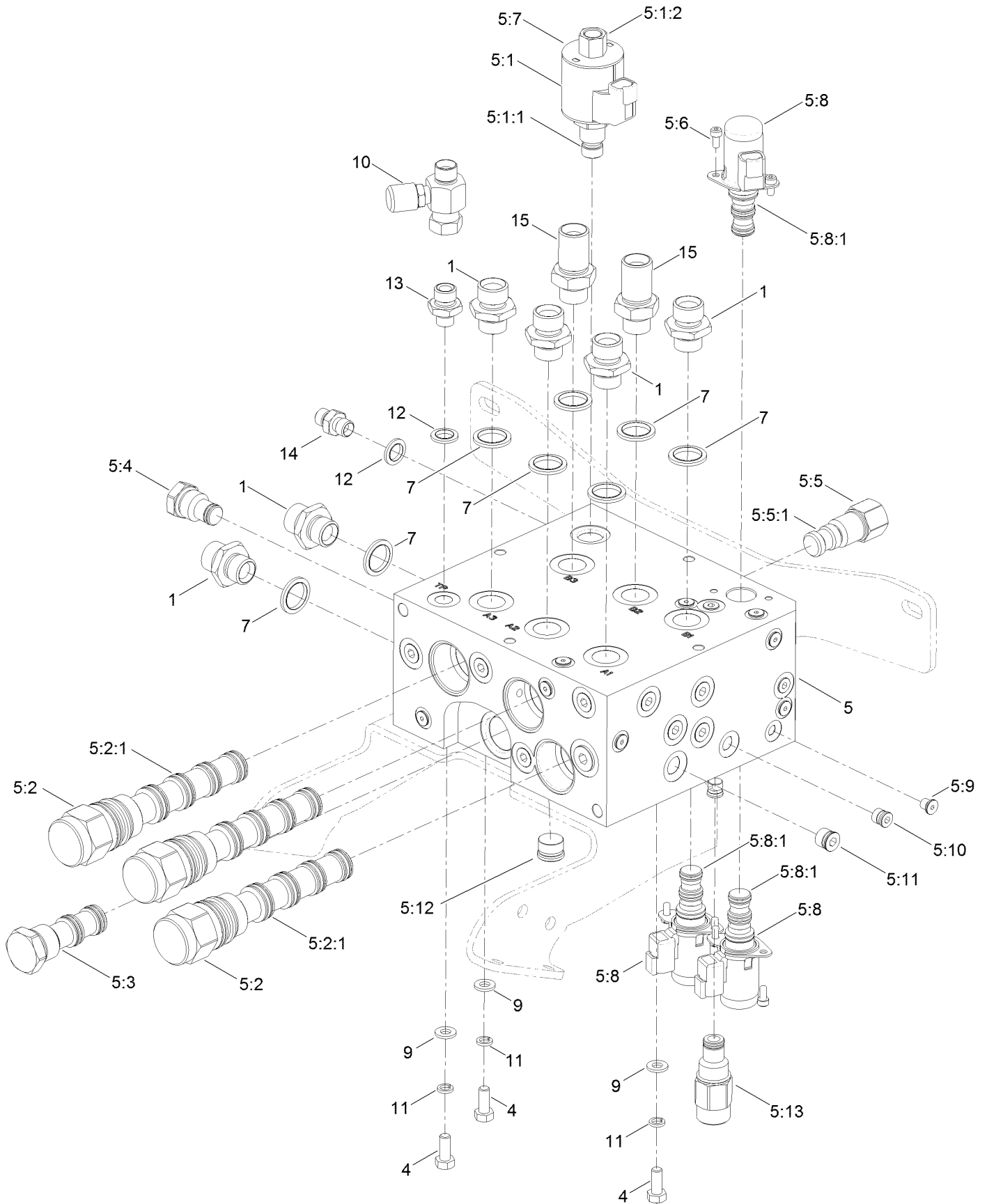


Hydraulic Manifold Assembly (continued)

<i>Ref.</i>	<i>Part Number</i>	<i>Qty.</i>	<i>Description</i>	<i>Ref.</i>	<i>Part Number</i>	<i>Qty.</i>	<i>Description</i>
1	10-06-030	4	Seal-Dowty	14:3	111-4466	1	Valve-Flow, Divider/Combiner
2	10-06-031	2	Seal-Dowty	14:3:1	111-7188	1	Seal Kit
3	10-06-032	1	Seal-Dowty	14:4	111-4467	2	Valve-Diverter
4	10-06-033	1	Seal-Dowty	14:4:1	910632	1	Seal Kit
5	10-06-042	2	Adaptor-BSPP	14:7	106-1024	10	Plug-Leak, Zero ●
6	10-06-044	1	Adaptor-BSP	14:8	106-1027	1	Plug ●
7	10-06-078	1	Adaptor-BSPP	14:99	910629	1	Valve-Shuttle ●
9	10-06-085	2	Adaptor	14:99:1	910635	1	Seal Kit ●
10	60-06-011	1	Tee-BSP	15	111-4443	1	Elbow-BSP
12	111-3529	2	Adaptor	16	09395	3	Screw-HH
13	111-3538	1	Adaptor	17	09480	3	Washer-Lock
14	111-3993	1	Manifold-Front, Transmission	18	910615	3	Point-BSPP
14:1	111-3533	2	Valve-Solenoid	19	953732	1	Tee-BSP
14:1:1	910633	1	Seal Kit	21	ZWQ1J000U	3	Washer-Plain
14:2	910627	2	Coil-Solenoid	22	30-06-200	2	Plug-HYD

● Not illustrated

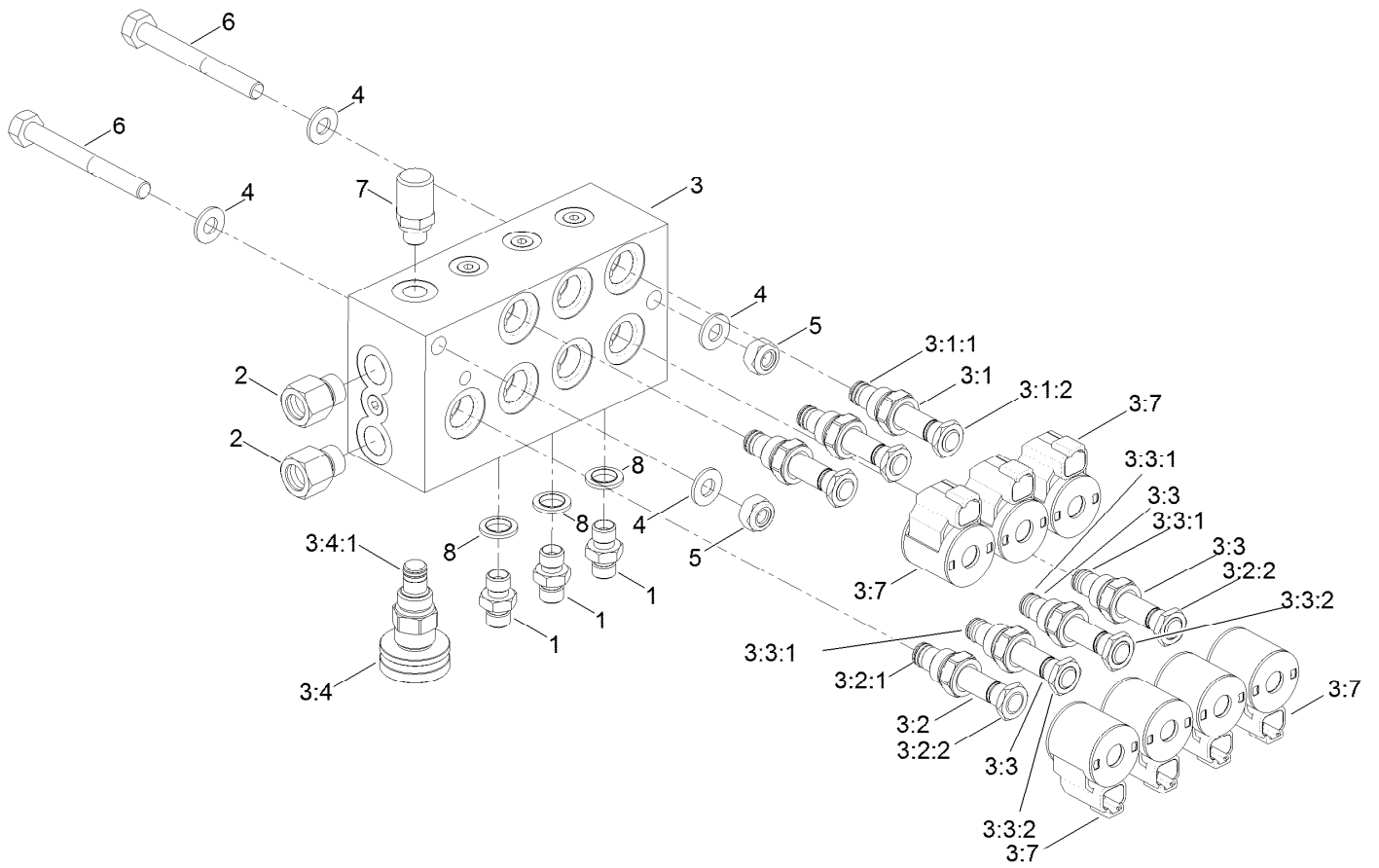
Hydraulic Assembly



Hydraulic Assembly (continued)

<i>Ref.</i>	<i>Part Number</i>	<i>Qty.</i>	<i>Description</i>	<i>Ref.</i>	<i>Part Number</i>	<i>Qty.</i>	<i>Description</i>
1	950726	6	Adaptor-BSP	5:8	125-7554	3	Valve-Solenoid
4	09368	3	Screw-HH	5:8:1	125-7561	1	Seal Kit
5	111-8420	1	Manifold-Control, Cutters	5:9	106-1024	14	Plug-Leak, Zero
5:1	111-6825	1	Pressure-Proportional, Relief Valve	5:10	106-1025	7	Plug-HYD
5:1:1	111-6826	1	Seal Kit	5:11	106-1026	14	Plug-HYD
5:1:2	119-2160	1	Nut-Coil	5:12	106-1027	2	Plug
5:2	111-6829	3	Valve-Spool, Piloted	5:13	111-9763	2	Plug-Cavity
5:2:1	111-6830	1	Seal Kit	7	10-06-032	8	Seal-Dowty
5:3	111-8421	1	Plug-Cavity	9	ZWP1H000U	3	Washer-Plain
5:4	111-8422	1	Plug-Cavity	10	111-9118	1	Fitting-Test
5:5	111-6832	1	Logic Element-Vented	11	03469	3	Washer-Spring
5:5:1	111-6827	1	Seal Kit	12	10-06-030	2	Seal-Dowty
5:6	115-8733	6	Screw-HSH	13	50-06-009	1	Adaptor-BSP
5:7	119-4619	1	Coil-Solenoid	14	10-06-085	1	Adaptor
				15	111-9517	2	Fitting-Straight

Manifold Hydraulic Assembly

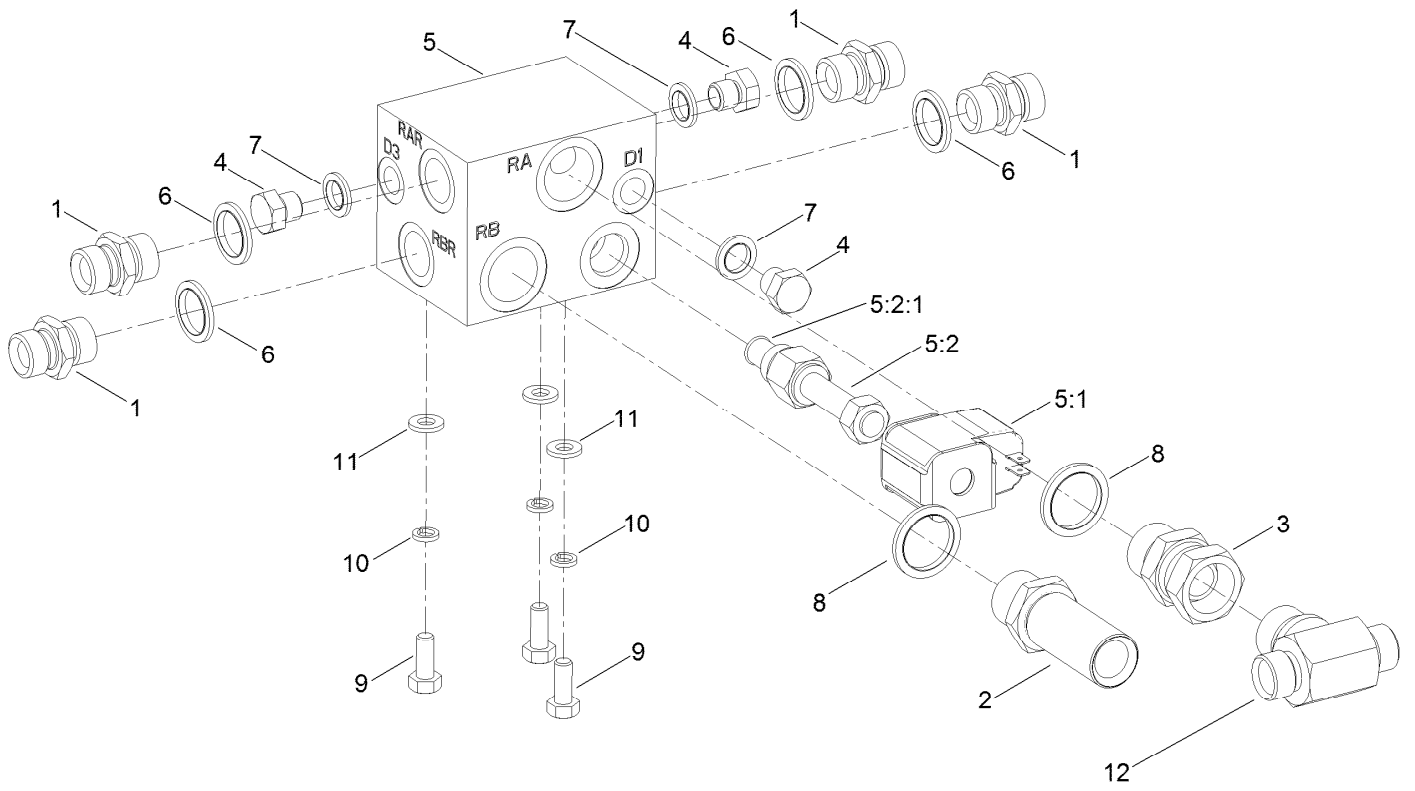


Manifold Hydraulic Assembly (continued)

<i>Ref.</i>	<i>Part Number</i>	<i>Qty.</i>	<i>Description</i>	<i>Ref.</i>	<i>Part Number</i>	<i>Qty.</i>	<i>Description</i>
1	10-06-085	3	Adaptor	3:3:2	110-2634	1	Nut-Coil
2	111-3509	2	Adaptor	3:4	111-5513	1	Valve-Needle, Weight
3	111-8419	1	Manifold-Control, Lift	3:4:1	107-7527	1	Seal Kit
3:1	111-9623	3	Valve-Solenoid	3:5	111-9625	3	Orifice-Flow, Control ●
3:1:1	107-7527	1	Seal Kit	3:6	106-1025	4	Plug-HYD ●
3:1:2	110-2634	1	Nut-Coil	3:7	112-0197	7	E Coil-12V DC
3:2	111-9624	1	Valve-Solenoid	4	ZWQ1J000U	4	Washer-Plain
3:2:1	105-9156	1	Seal Kit	5	ZNN1J000U	2	Nut-Hex, NI
3:2:2	107-7812	1	Nut-Solenoid	6	ZBH1J090U	2	Screw-HH
3:3	112-9206	3	Solenoid Valve ASM	7	910615	1	Point-BSPP
3:3:1	105-9156	1	Seal Kit	8	10-06-030	3	Seal-Dowty

● Not illustrated

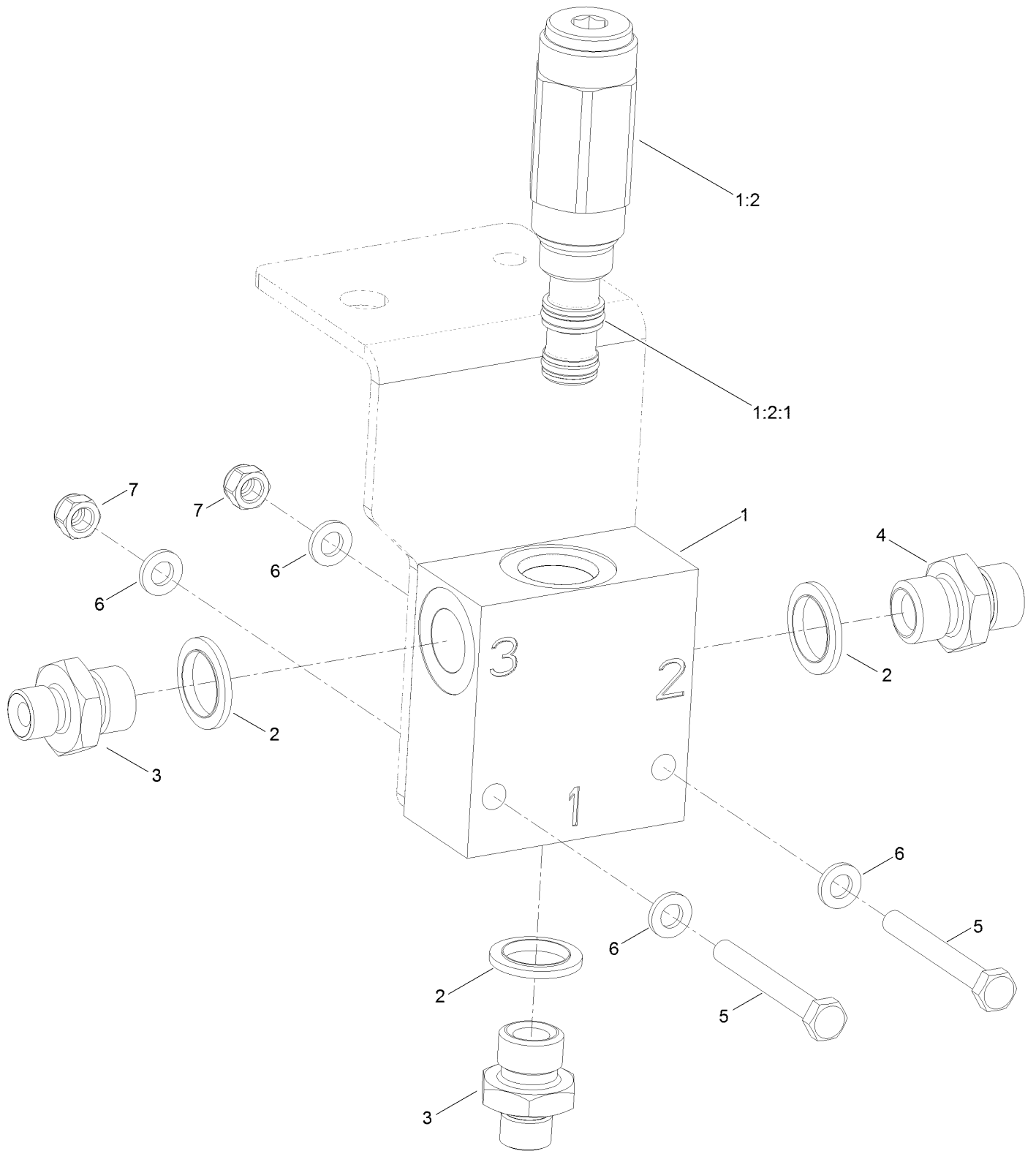
Subsystem Hydraulic Manifold Assembly



Subsystem Hydraulic Manifold Assembly (continued)

<i>Ref.</i>	<i>Part Number</i>	<i>Qty.</i>	<i>Description</i>	<i>Ref.</i>	<i>Part Number</i>	<i>Qty.</i>	<i>Description</i>
1	10-06-078	4	Adaptor-BSPP	5:2:1	910642	1	Seal Kit
2	111-7494	1	Adaptor-BSP	6	10-06-032	4	Seal-Dowty
3	20-06-202	1	Adaptor	7	10-06-030	3	Seal-Dowty
4	30-06-200	3	Plug-HYD	8	10-06-033	2	Seal-Dowty
5	924687	1	Manifold-Transmission, Rear	9	09368	3	Screw-HH
5:1	910627	1	Coil-Solenoid	10	03469	3	Washer-Spring
5:2	924688	1	Valve-Solenoid	11	ZWP1H000U	3	Washer-Plain
				12	940607	1	Tee-BSPP

Valve Control Assembly

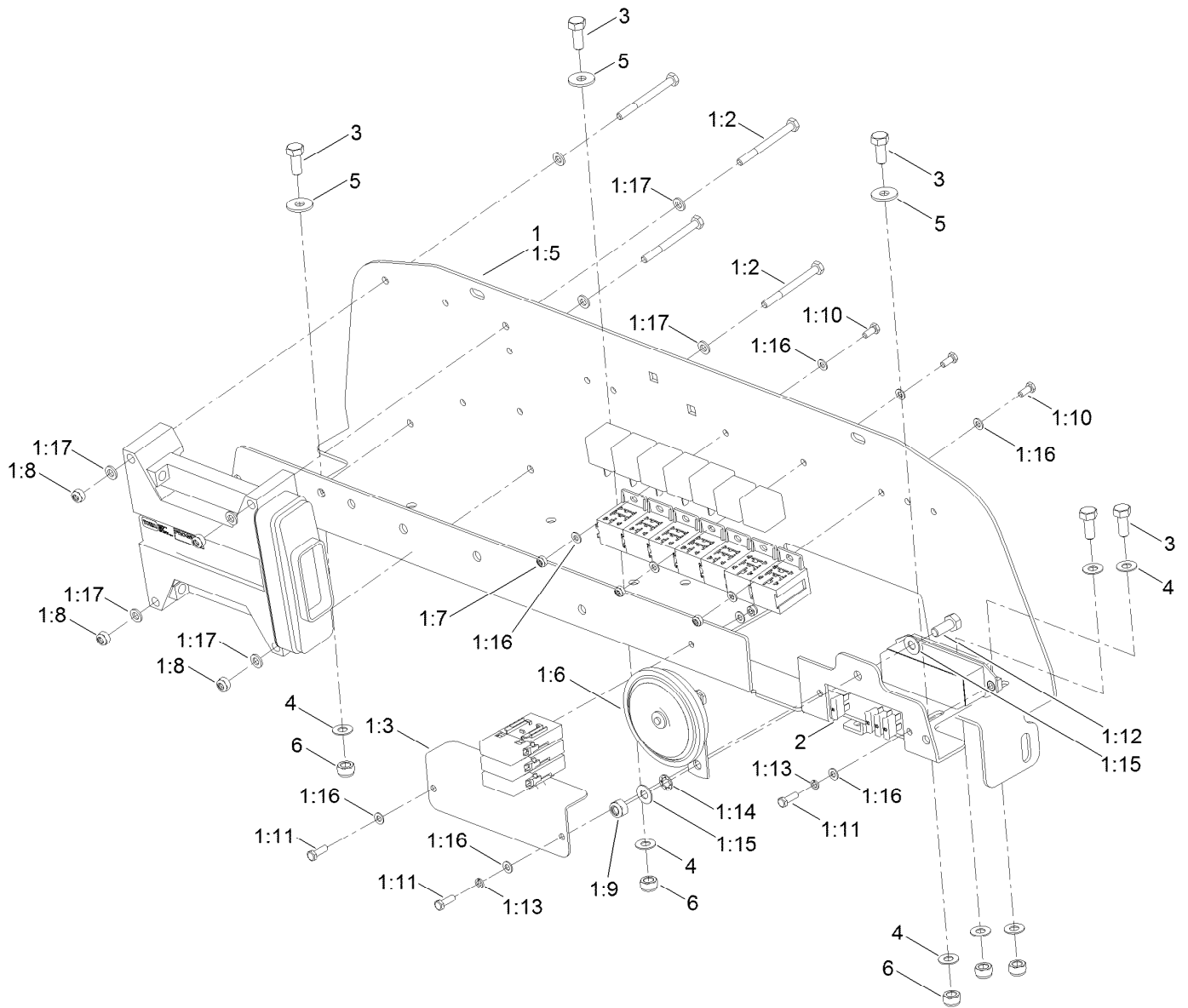


Valve Control Assembly (continued)

<i>Ref.</i>	<i>Part Number</i>	<i>Qty.</i>	<i>Description</i>	<i>Ref.</i>	<i>Part Number</i>	<i>Qty.</i>	<i>Description</i>
1	111-8428	1	Valve-Control, Brake	3	50-06-009	2	Adaptor-BSP
1:1	111-8441	1	Housing-Valve, 3-Way ●	4	10-06-042	1	Adaptor-BSPP
1:2	111-9171	1	Valve, Control-Pressure	5	ZDH1F050U	2	Setscrew
1:2:1	105-9164	1	Seal Kit	6	09472	4	Washer-Plain
2	10-06-031	3	Seal-Dowty	7	09438	2	Nut-Nyloc

● Not illustrated

Loom Kit Assembly



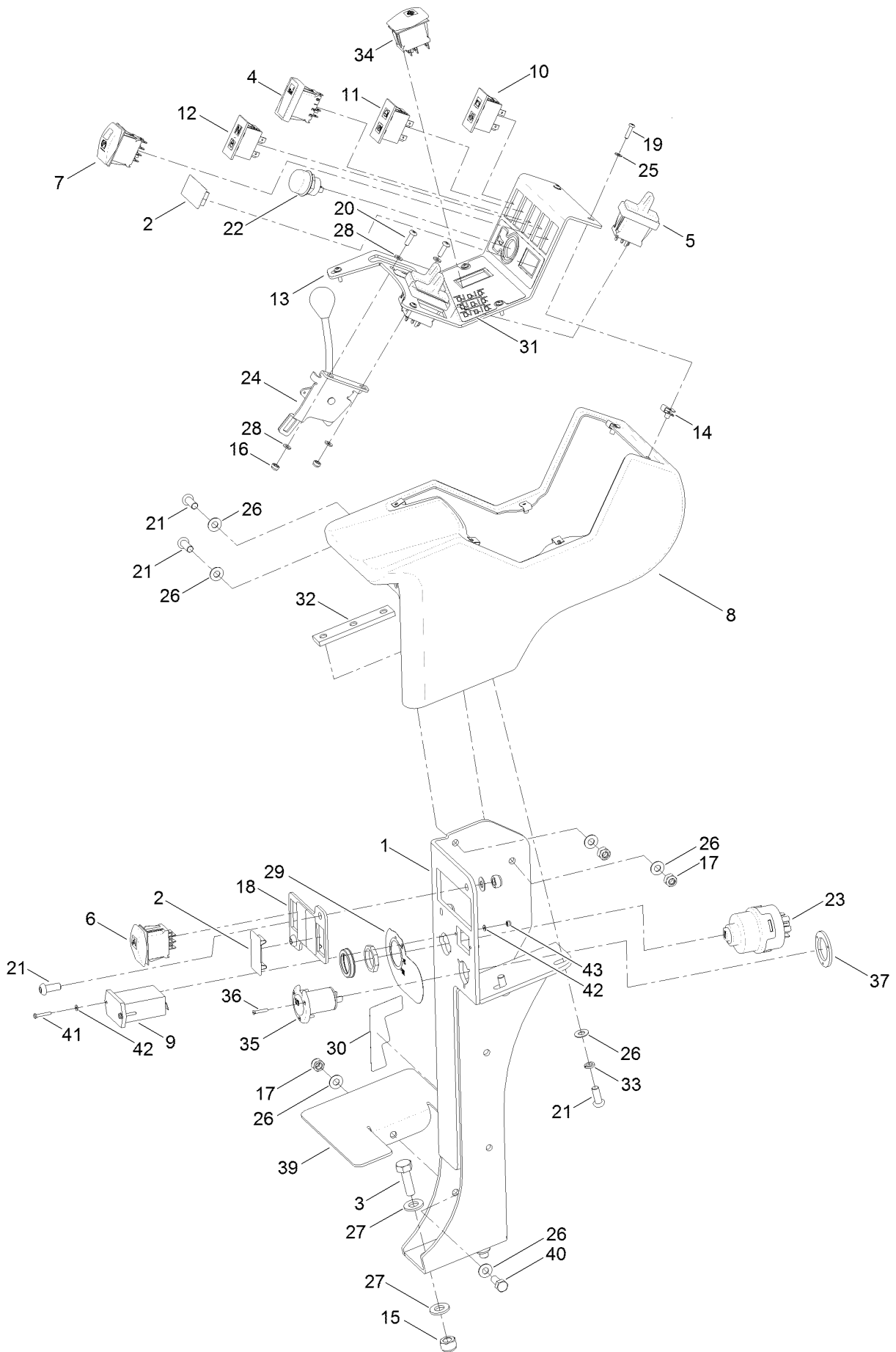
Loom Kit Assembly (continued)

<i>Ref.</i>	<i>Part Number</i>	<i>Qty.</i>	<i>Description</i>	<i>Ref.</i>	<i>Part Number</i>	<i>Qty.</i>	<i>Description</i>
1		1	Loom Kit ■	1:13	09644	2	Washer-Spring
1:1	111-9115	1	Harness-Main ●	1:14	09476	1	Washer-Shakeproof
1:2	09703	4	Bolt-HH	1:15	09475	2	Washer
1:3	111-4842-03	1	Bracket-Fuse	1:16	09470	10	Washer
1:5	111-3037-03	1	Plate-Base, Electrical	1:17	09472	8	Washer-Plain
1:6	70-09-108	1	Horn ASM	1:99	111-6745	1	Harness-Manifold, Cutters ●
1:7	09430	4	Nut-Nyloc	2	70-09-151	1	Fuse-15A
1:8	09438	4	Nut-Nyloc	3	09368	5	Screw-HH
1:9	09441	1	Nut-Hex, NI	4	09475	7	Washer
1:10	ZDH1E012U	3	Screw-HH	5	09267	3	Washer-Plain
1:11	ZDH1E016U	3	Screw-HH	6	09441	5	Nut-Hex, NI
1:12	09368	1	Screw-HH	99	HY3966	30	Tie-Cable ●

● Not illustrated

■ Not serviced separately

Control Arm Assembly

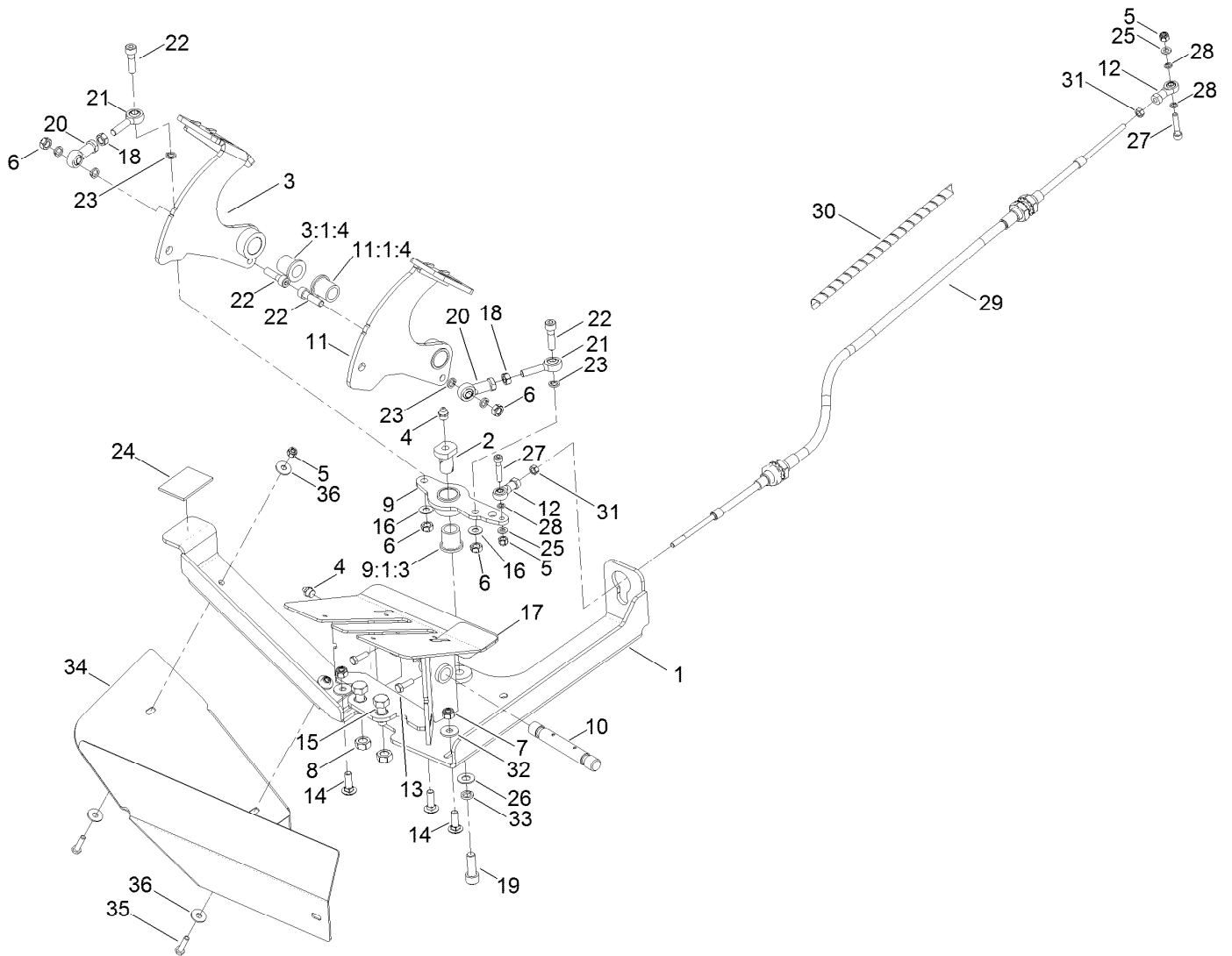


Control Arm Assembly (continued)

<i>Ref.</i>	<i>Part Number</i>	<i>Qty.</i>	<i>Description</i>	<i>Ref.</i>	<i>Part Number</i>	<i>Qty.</i>	<i>Description</i>
1	111-8496-03	1	Control Arm ASM	23	74-09-009	1	Switch-Ignition
2	111-2337	4	Blank-Switch	23:1	74-09-017	1	Key-Ignition ●
3	09394	2	Bolt	23:2	74-09-010	1	Switch-Cover ●
4	111-7490	1	Switch-Cutters	24	111-7090	1	Cable-Throttle
5	111-2956	3	Switch-Lift	25	09658	6	Washer
6	111-2451	1	Switch-Limited	26	09475	10	Washer
7	111-2254	1	Switch-Parking Brake, On-None-On	27	HY09485	4	Washer-Plain
8	111-3004	1	Pod-Control	28	09470	4	Washer
9	75-6820	1	Hourmeter	29	111-3344	1	Decal-Switch, Ignition
10	111-2333	1	Indicator-Illuminated	30	111-3658	1	Decal-Latch, Cutterhead
11	111-2334	1	Indicator-Illuminated	31	111-3277	1	Decal
12	111-3026	1	Indicator-Illuminated	32	111-3281	1	Bar-Nut
13	111-2963-03	1	Instrument-Panel	33	03469	2	Washer-Spring
14	111-3079	6	U-Nut	34	111-8021	1	Switch-Lock
15	09447	2	Nut	35	111-2888	1	Socket
16	09430	2	Nut-Nyloc	36	111-3539	3	Screw-Slot, Countersunk
17	09441	5	Nut-Hex, NI	37	111-6026	1	Bracket-Securing
18	111-8494-03	1	Plate-Switch	39	111-5239-03	1	Plate-Filler
19	111-3473	6	Screw-Button	40	09368	1	Screw-HH
20	111-3381	2	Screw-HSBH	41	09696	2	Setscrew
21	ZHS1H020U	6	Screw-HSBH	42	HY09697	4	Washer-Plain
22	924618	1	Switch-Horn, Push	43	HY09698	2	Nut-Nyloc

● Not illustrated

Control Pedals Assembly



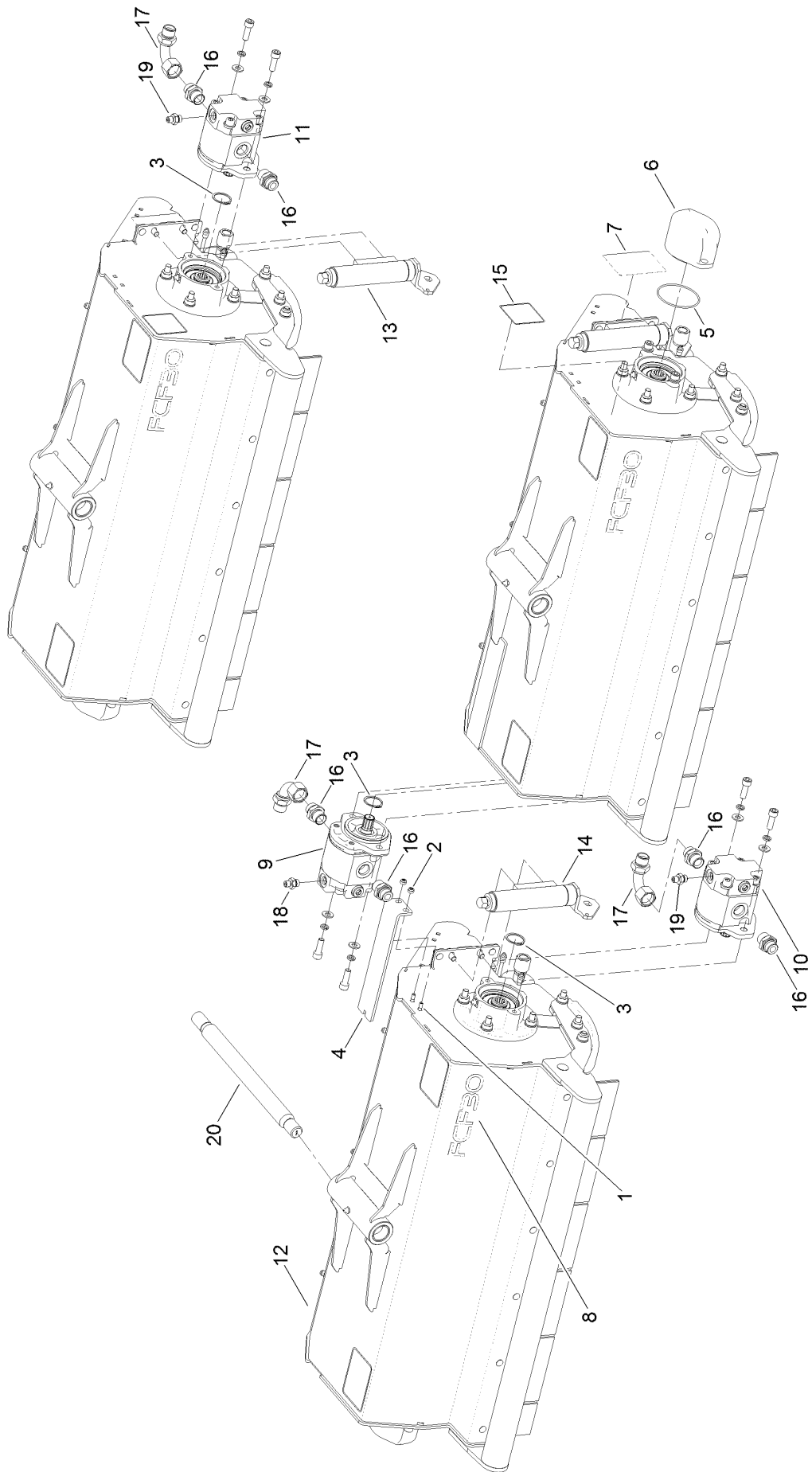
Control Pedals Assembly (continued)

<i>Ref.</i>	<i>Part Number</i>	<i>Qty.</i>	<i>Description</i>	<i>Ref.</i>	<i>Part Number</i>	<i>Qty.</i>	<i>Description</i>
1	111-7175-03	1	Pedal-Mounting	17	111-3567	1	Decal-Pedal, Operation
2	111-7122	1	Boss-Pedal, Link	18	ZNH1H000U	2	Nut-Hex
3	111-7170-03	1	Forward Pedal ASM	19	ZCS1J030U	1	Screw-HSH
3:1		1	Pedal-Traction, Forward ●■	20	111-2896	2	Rod-End, Female
3:1:4	953868	1	Bushing-Flange, Oilite	21	111-6147	2	Rod End
4	10-11-017	2	Fitting-Straight	22	ZCS1H030U	4	Screw-Cap
5	09544	4	Nut-Nyloc	23	111-6948	6	Washer-Spring
6	ZNB1H000U	4	Nut	24	HY910808	1	Strip-Neoprene
7	09441	3	Nut-Hex, NI	25	09472	2	Washer-Plain
8	09449	2	Nut	26	09479	1	Washer-Plain
9	111-7068-03	1	Pedal Link ASM	27	111-4586	2	Screw-HSH
9:1		1	Link-Pedal ●■	28	09474	3	Washer-Spring
9:1:3	953868	1	Bushing-Flange, Oilite	29	111-7140	1	Cable-Transmission
10	111-1310	1	Pin-Control, Pedal	30	111-6133	1	Guard-Spiral
11	111-7171-03	1	Reverse Pedal ASM	31	09437	2	Nut
11:1		1	Pedal-Traction, Reverse ●■	32	09267	3	Washer-Plain
11:1:4	953868	1	Bushing-Flange, Oilite	33	09480	1	Washer-Lock
12	111-4579	2	Rod End-Female/Female	34	111-7253-03	1	Deflector-Grass, Cutter (RH)
13	09363	2	Screw-HH	35	09364	2	Screw-HH
14	09373	3	Bolt-Coach	36	09262	4	Washer
15	09392	2	Screw-HH				
16	09475	2	Washer				

● Not illustrated

■ Not serviced separately

Cutter Component Assembly

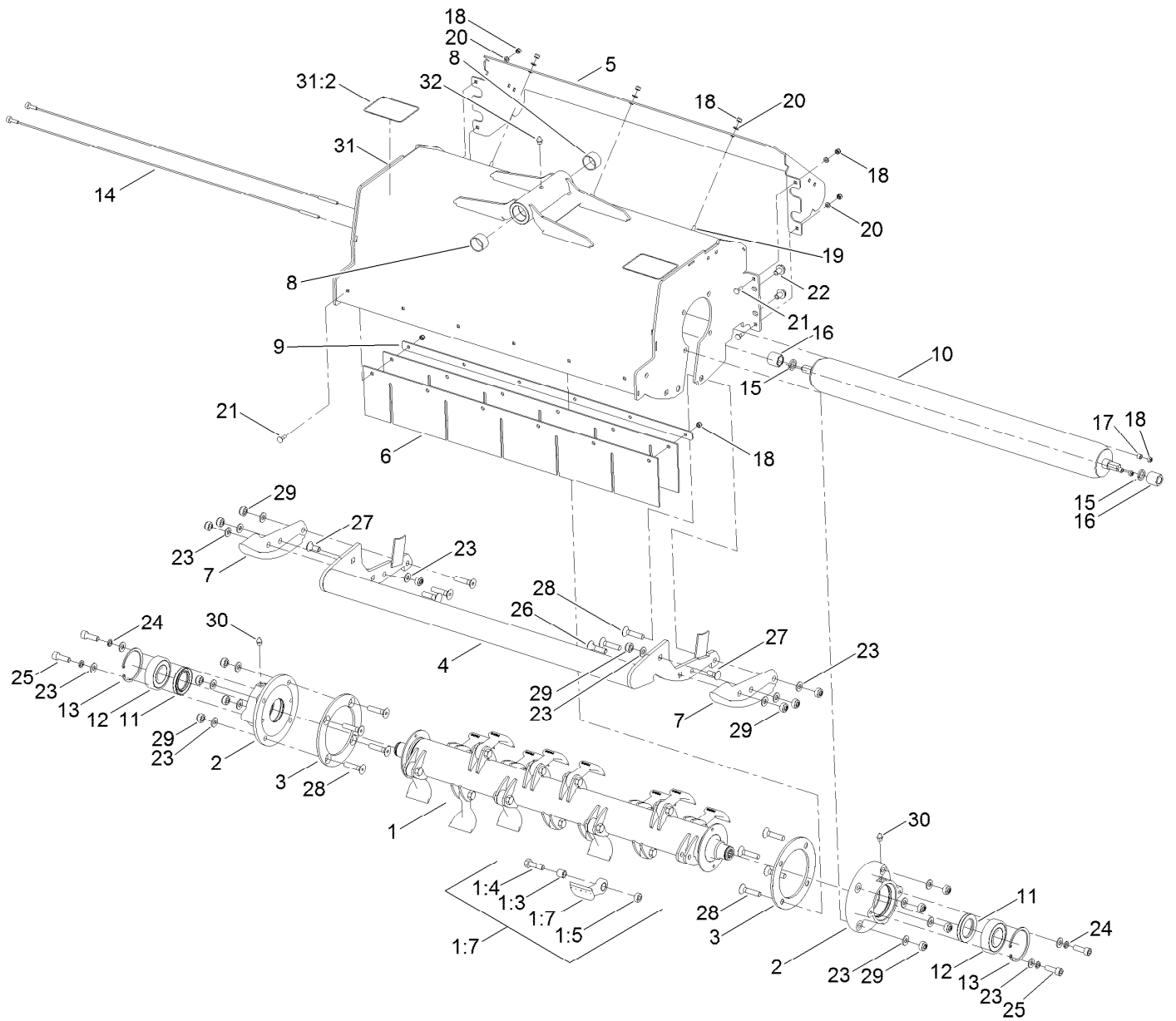


Cutter Component Assembly (continued)

<i>Ref.</i>	<i>Part Number</i>	<i>Qty.</i>	<i>Description</i>	<i>Ref.</i>	<i>Part Number</i>	<i>Qty.</i>	<i>Description</i>
1	09668	4	Bolt-Coach	11	111-9447	1	Motor-Cutter, Anti-Clockwise
2	09438	4	Nut-Nyloc	11:1	117-0235	1	Seal Kit ●
3	111-9214	3	Ring-Retaining, EXT	11:2	117-5107	1	Valve-Check ●
4	111-9179	2	Guide-Plate, Roller	12	111-9515	3	Flail Cutterhead ASM
5	876032	3	O-Ring	13	111-9518	1	Centre Head HOC Adjuster ASM
6	876009W	3	Counterweight	14	111-9519	2	Front Head HOC Adjuster ASM
7	111-9382	4	Decal-HOC	15	111-9648	4	Decal
8	111-9401	3	Decal	16	111-9107	6	Fitting-Straight
9	111-8429	1	Motor-Cutter, Clockwise	17	111-9108	3	Fitting-Elbow, 90
9:1	117-0235	1	Seal Kit ●	18	70-06-054	1	Adaptor
9:2	117-5107	1	Valve-Check ●	19	111-4788	2	Fitting-Straight
9:3	111-9630	1	Valve-Shock, 17 Bar ●	20	65-05-127	3	Pin-Head, Pivot
10	111-8430	1	Motor-Cutter, Anti-Clockwise	99	HY922101	1	Spanner-Adjuster, Cutterhead ●
10:1	117-0235	1	Seal Kit ●				
10:2	117-5107	1	Valve-Check ●				
10:3	111-9630	1	Valve-Shock, 17 Bar ●				

● Not illustrated

Cutterhead Assembly No. 111-9515

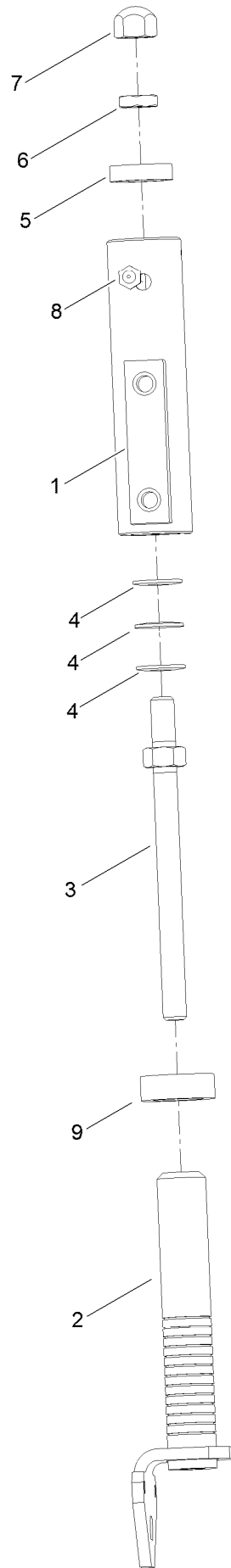


Cutterhead Assembly No. 111-9515 (continued)

<i>Ref.</i>	<i>Part Number</i>	<i>Qty.</i>	<i>Description</i>	<i>Ref.</i>	<i>Part Number</i>	<i>Qty.</i>	<i>Description</i>
1	134-0277-03	1	Rotor ASM	13	111-9135	2	Ring-Retaining, Int
1:3	111-9172	16	Bushing-Sleeve	14	63-07-072	2	Scraper-Wire
1:4	111-9646	16	Screw-HH, Patch	15	HY4200	2	Washer-Spring
1:5	09449	16	Nut	16	876062	2	Roller-Nut
1:7	111-9631	1	Kit-Blade (Includes 2X Items 1:3, 1:4 ,1:5 And 1:7)	17	340154	2	Bushing
1:7	111-9668	1	Kit-Blade (Includes 16X Items 1:3, 1:4, 1:5 And 1:7)	18	09438	15	Nut-Nyloc
2	111-9208-03	2	Housing-Bearing, Rotor	19	09570	3	Bolt-Carriage
3	111-9123-03	2	Rotor-Ring	20	09472	7	Washer-Plain
4	111-9164-03	1	Tube ASM	21	09668	10	Bolt-Coach
5	111-9142-01	1	Frame-Extension	22	63-11-019	4	Screw-HHF
6	111-9160	2	Guard-Rubber, Front	23	ZWQ1J000U	20	Washer-Plain
7	884024W	2	Skid	24	09480	4	Washer-Lock
8	876065	2	Bushing-Sleeve	25	ZCS1J030U	4	Screw-HSH
9	111-9144	1	Strip-Clamp, Guard	26	111-9327	2	Bolt-Carriage
10	876006	1	Roller-Smooth	27	15-11-003	2	Bolt-CARR
10:99	876078	1	Kit-Bearing-Roller, Taper ●	28	111-9328	12	Screw-Sh, Csk
10:99	111-2561	2	Fitting-Grease ●	29	ZNN1J000U	16	Nut-Hex, NI
11	111-9138	2	Seal-Lip, Single	30	10-11-017	3	Fitting-Straight
12	111-9136	2	Bearing-Ball	31	134-0047	1	Frame ASM
				31:2	40-13-010	2	Decal-Warning
				32	63-07-027	1	Zerk-Grease, BSP (90 DEG)

● Not illustrated

Center Head HOC Adjuster Assembly No. 111-9518

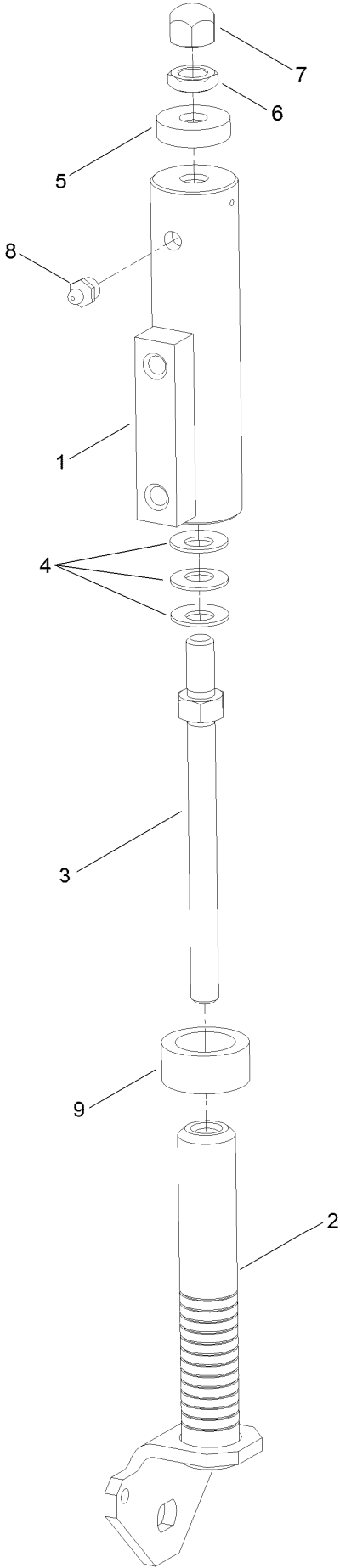


Center Head HOC Adjuster Assembly No. 111-9518 (continued)

<i>Ref.</i>	<i>Part Number</i>	<i>Qty.</i>	<i>Description</i>
1	876064W	2	Roller-Mounting
2	111-9450	2	Shaft-Adjuster, Roller
3	63-01-960	2	Stud-Roller, Adjusting
4	876099	6	Washer-Spring
5	876098	2	Cap-Control, Pressure

<i>Ref.</i>	<i>Part Number</i>	<i>Qty.</i>	<i>Description</i>
6	ZNL1L000U	2	Nut-Hex
7	ZNK1L000U	2	Nut-Dome
8	10-11-017	2	Fitting-Straight
9	63-02-123	2	Spacer-Steel

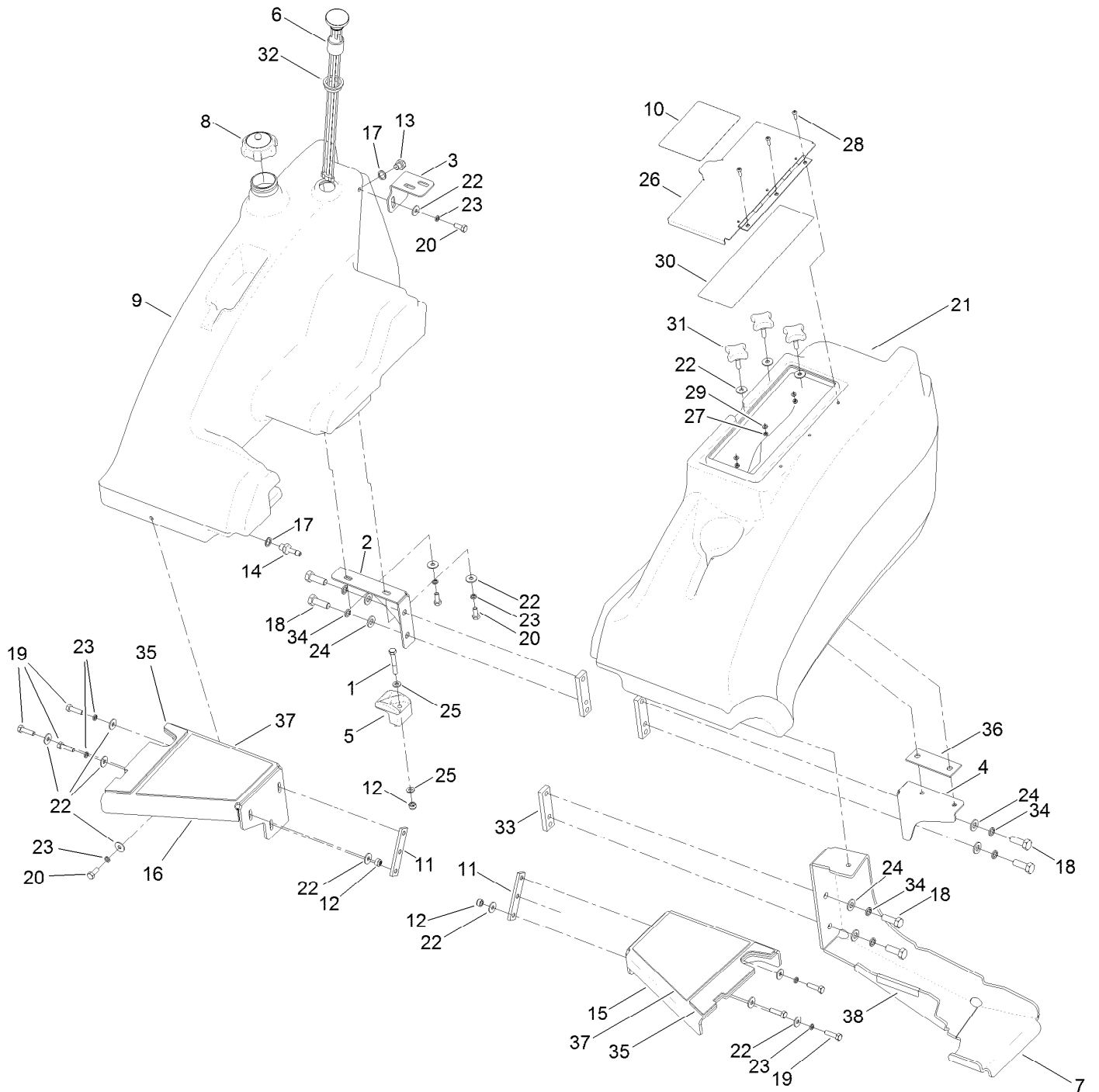
Front Head HOC Adjuster Assembly No. 111-9519



Front Head HOC Adjuster Assembly No. 111-9519 (continued)

<i>Ref.</i>	<i>Part Number</i>	<i>Qty.</i>	<i>Description</i>	<i>Ref.</i>	<i>Part Number</i>	<i>Qty.</i>	<i>Description</i>
1	876064W	2	Roller-Mounting	6	ZNL1L000U	2	Nut-Hex
2	111-9450	2	Shaft-Adjuster, Roller	7	ZNK1L000U	2	Nut-Dome
3	63-01-960	2	Stud-Roller, Adjusting	8	10-11-017	2	Fitting-Straight
4	876099	6	Washer-Spring	9	111-9449	2	Spacer
5	876098	2	Cap-Control, Pressure				

Fuel Tank and Storage Pod Assembly

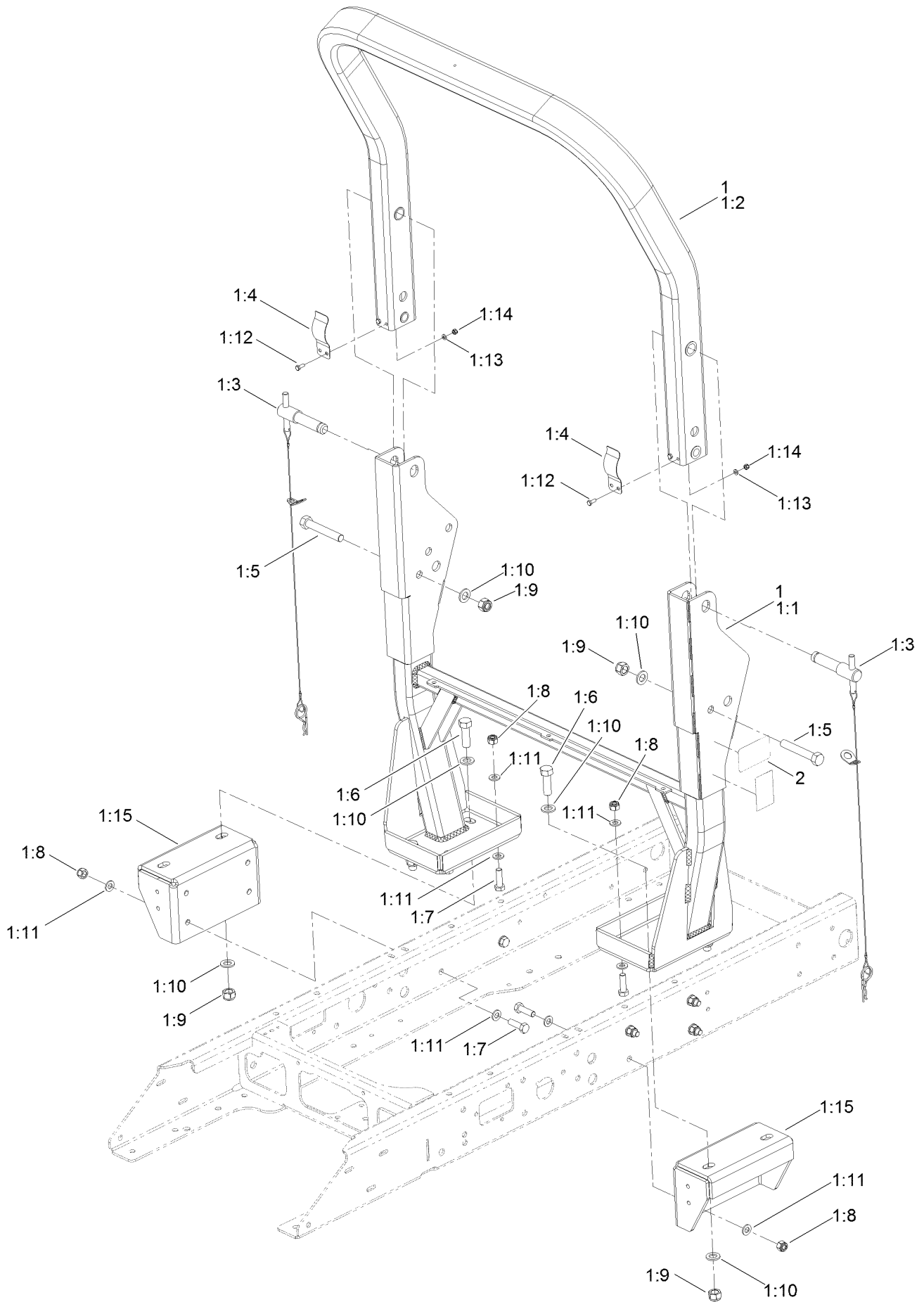


Fuel Tank and Storage Pod Assembly (continued)

<i>Ref.</i>	<i>Part Number</i>	<i>Qty.</i>	<i>Description</i>	<i>Ref.</i>	<i>Part Number</i>	<i>Qty.</i>	<i>Description</i>
1	09565	1	Screw-HH	21	111-3295	1	Pod-Storage
2	111-3452-03	1	Bracket-Fuel Tank	22	09267	15	Washer-Plain
3	111-3453-03	1	Bracket-Fuel Tank, Upper	23	03469	8	Washer-Spring
4	111-3424-03	1	Bracket-Pod, Storage	24	HY09485	6	Washer-Plain
5	107-4543	1	Clamp	25	ZWP1H000U	2	Washer-Plain
6	104-5603	1	Gauge-Level, Fuel	26	111-7242-03	1	Cover-Storage
7	111-7306-01	1	Step-Foot, Rev	27	09430	3	Nut-Nyloc
8	111-3531	1	Cap-Fuel	28	111-3381	3	Screw-HSBH
9	111-3294	1	Tank-Fuel	29	09470	3	Washer
10	111-5007	1	Decal-Warning, Inclines	30	111-9649	1	Decal-Maintenance
11	111-3281	2	Bar-Nut	31	111-3666	3	Handwheel
12	09441	3	Nut-Hex, NI	32	95-8972	1	Grommet
13	910352	1	Pipe-Return, Fuel	33	111-4490	3	Bar-Nut
14	910351	1	Pipe-Suction, Fuel	34	09599	6	Washer-Lock
15	111-9042-03	1	Support-Platform	35	111-9044	2	Pad-Support, Outer
16	111-9041-03	1	Support-Platform	36	111-5388	1	Pad-Rubber, Storage Pod
17	111-3925	2	Washer-Fiber	37	111-9043	2	Pad-Support, Inner
18	ZDH1L035U	6	Screw-HH	38	50-08-001	1	Edging-Rubber
19	09369	6	Screw-HH	99	70-07-067	1	Tape-Slip, Anti ●
20	09368	4	Screw-HH				

● Not illustrated

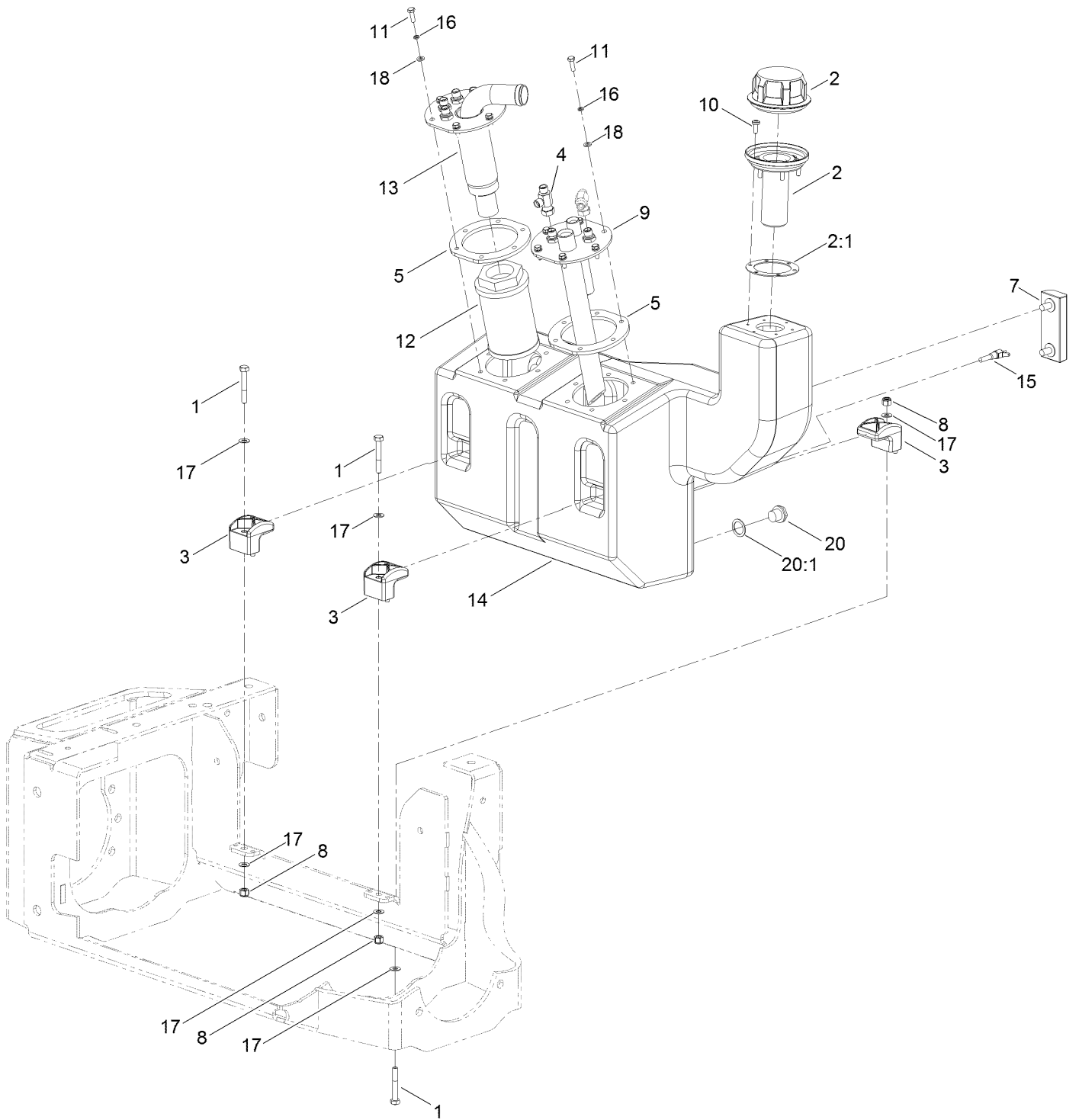
Roll-Over Protection System Assembly



Roll-Over Protection System Assembly (continued)

<i>Ref.</i>	<i>Part Number</i>	<i>Qty.</i>	<i>Description</i>	<i>Ref.</i>	<i>Part Number</i>	<i>Qty.</i>	<i>Description</i>
1	111-8039	1	ROPS ASM	1:9	09456	4	Nut
1:1	111-9047-03	1	ROPS-Lower	1:10	09491	10	Washer-Plain
1:2	111-8040-03	1	ROPS-Upper	1:11	HY09485	24	Washer-Plain
1:3	111-9280	2	Pin Assembly	1:12	09362	4	Screw-HH
1:4	110-5696	2	Spring-Leaf	1:13	09472	4	Washer-Plain
1:5	ZBH1P100U	2	Bolt	1:14	09438	4	Nut-Nyloc
1:6	ZDH1P050U	4	Screw-HH	1:15	111-9065-03	2	Bracket-Chassis, ROPS
1:7	63-11-010	12	Bolt-HH	2	111-0773	2	Decal
1:8	111-9291	12	Nut-Hex, Nyloc				

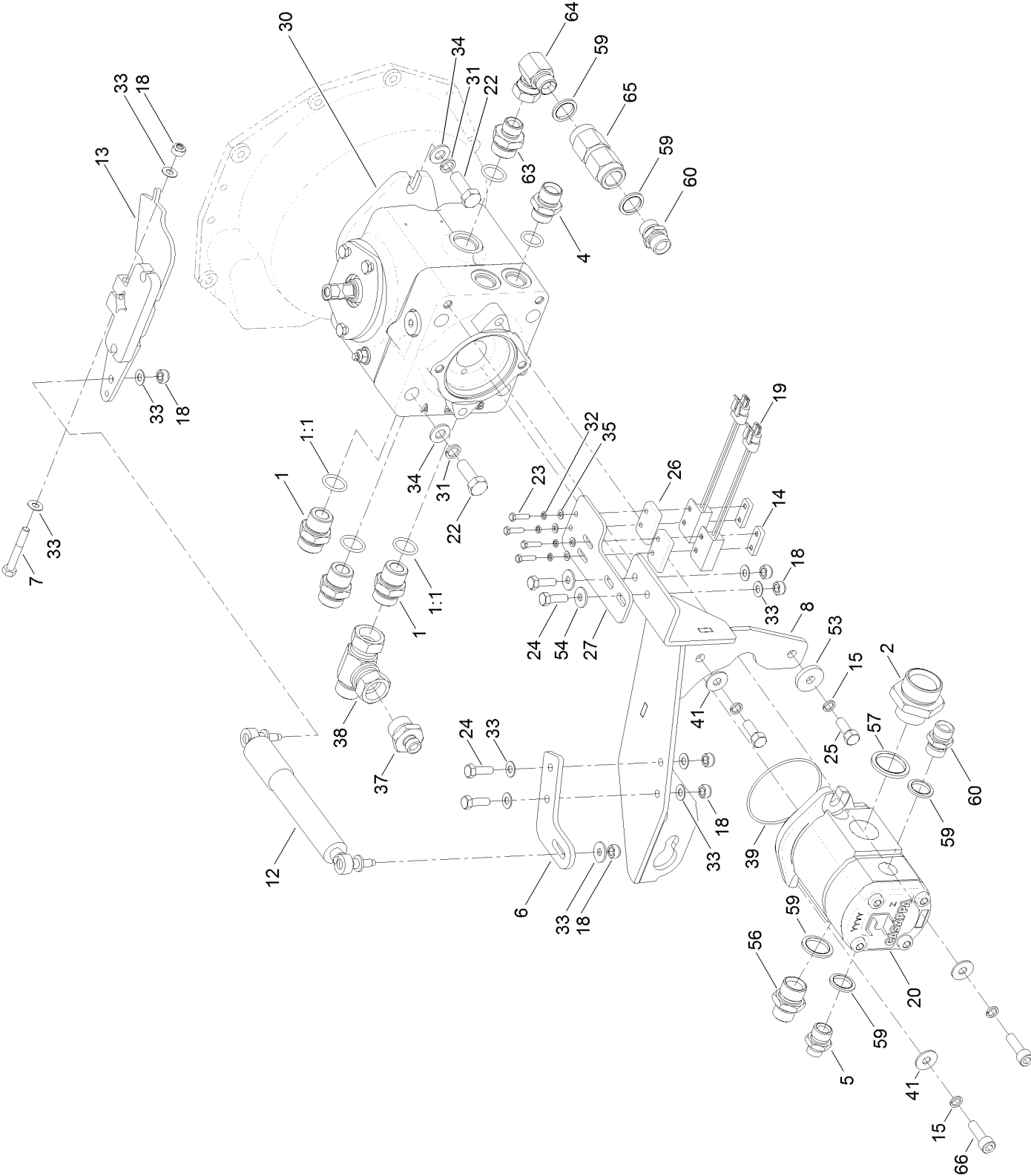
Hydraulic Oil Tank Assembly



Hydraulic Oil Tank Assembly (continued)

<i>Ref.</i>	<i>Part Number</i>	<i>Qty.</i>	<i>Description</i>	<i>Ref.</i>	<i>Part Number</i>	<i>Qty.</i>	<i>Description</i>
1	09565	3	Screw-HH	11	09363	12	Screw-HH
2	HY910601	1	Cap-Breather, Filler	12	10-06-025	1	Filter-Suction
2:1	910648	1	Cap-Gasket, Filler	13	111-9532	1	Flange-Suction
3	107-4543	3	Clamp	14	111-9528	1	Tank-Oil, Hydraulic
4	10-06-083	1	Fitting-Tee	15	940852	1	Switch-Temperature
5	111-9531	2	Gasket-Flange	16	09474	12	Washer-Spring
7	65-06-018	1	Gauge-Level, Oil	17	09475	6	Washer
8	09442	3	Nut	18	09472	12	Washer-Plain
9	111-9533-03	1	Flange-Return	20	20-06-207	1	Plug-Magnetic
10	09634	6	Screw-PPH, HD	20:1	111-7925	1	Washer-Fiber

Hydraulic Pump Assembly

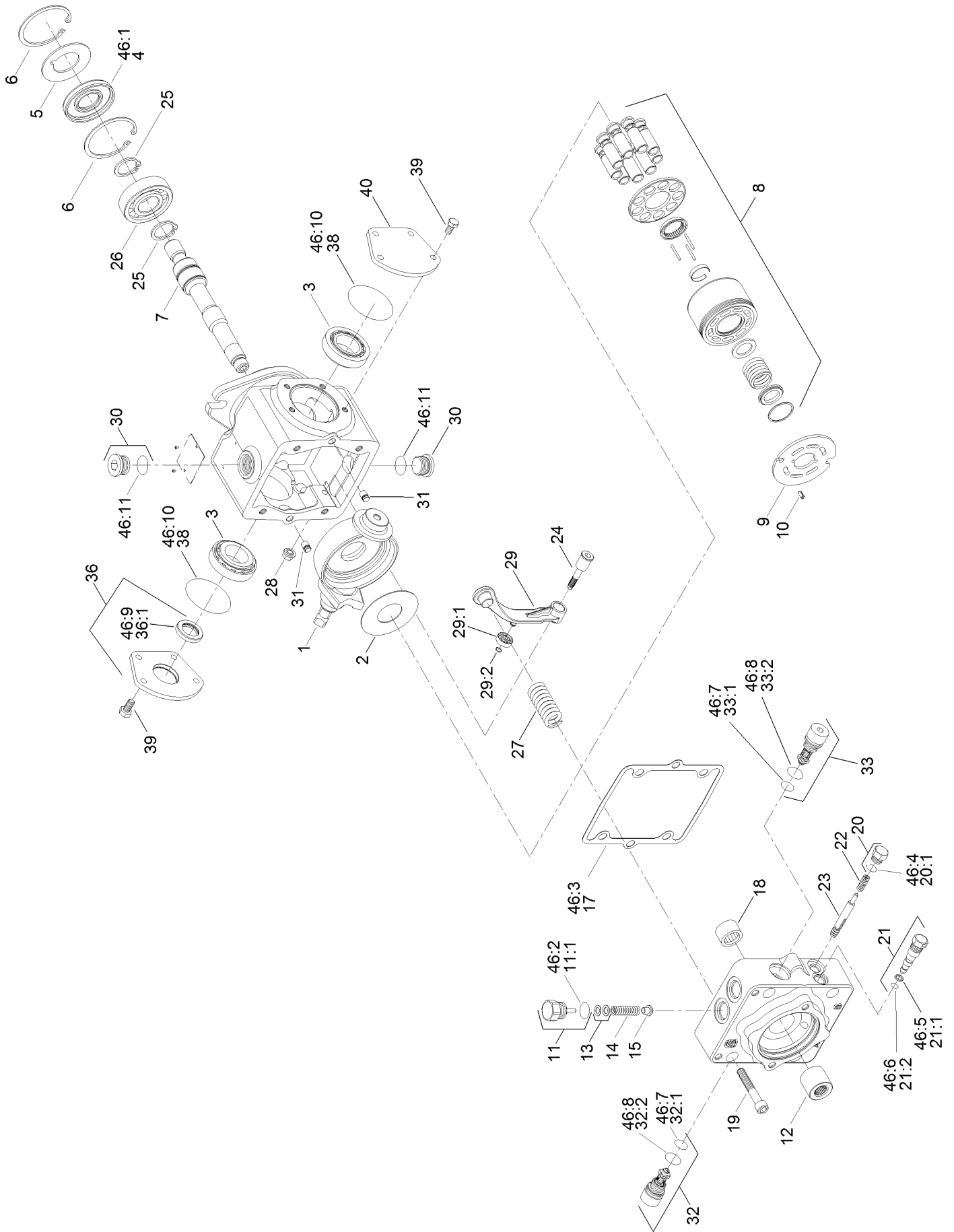


Hydraulic Pump Assembly (continued)

<i>Ref.</i>	<i>Part Number</i>	<i>Qty.</i>	<i>Description</i>	<i>Ref.</i>	<i>Part Number</i>	<i>Qty.</i>	<i>Description</i>
1	70-06-050	3	Adaptor-Boss	30	111-8723	1	Pump-Transmission
1:1	70-06-168	1	Seal-O Ring	31	09599	2	Washer-Lock
2	15-06-109	1	Adaptor	32	09644	4	Washer-Spring
4	111-9107	1	Fitting-Straight	33	09475	10	Washer
5	10-06-043	1	Adaptor	34	HY09485	2	Washer-Plain
6	111-6853-03	1	Adjuster-Damper	35	09257	4	Washer
7	09565	1	Screw-HH	37	20-06-212	1	Adaptor-BSP
8	111-6456-03	1	Bracket-Control, Pump	38	60-06-009	1	Adaptor-Tee
12	111-9548	1	Damper Kit	39	70-06-028	1	O-Ring
13	111-6814	1	Lever-Control, Pump	41	HY03355	3	Washer-Plated
14	111-3336	2	Bar-Switch, Proximity	53	65-01-559	1	Washer-Space
15	09273	4	Washer-Spring	54	09267	2	Washer-Plain
18	09441	7	Nut-Hex, NI	56	950726	1	Adaptor-BSP
19	105-0023	2	Switch-Proximity	57	09-06-214	1	Seal-Dowty
20	111-8424	1	Pump-Tandem	59	10-06-032	5	Seal-Dowty
20:99	111-9632	1	Kit-Seal ●	60	10-06-078	2	Adaptor-BSPP
22	ZDH1L035U	2	Screw-HH	63	70-06-066	1	Adaptor
23	ZDH1E020U	4	Screw-HH	64	111-9766	1	Fitting-Elbow, 90
24	03162	4	Screw-HH	65	111-9111	1	Fitting-Check
25	HY103653	2	Screw-HH	66	111-9168	2	Screw-Sh
26	111-3676	2	Spacer-Switch, Proximity	67	20-06-202	1	Adaptor ●
27	111-3260-03	1	Adjuster-Switches	99	74-07-020	1	Tie-Cable ●

● Not illustrated

Transmission Pump Assembly No. 111-8723



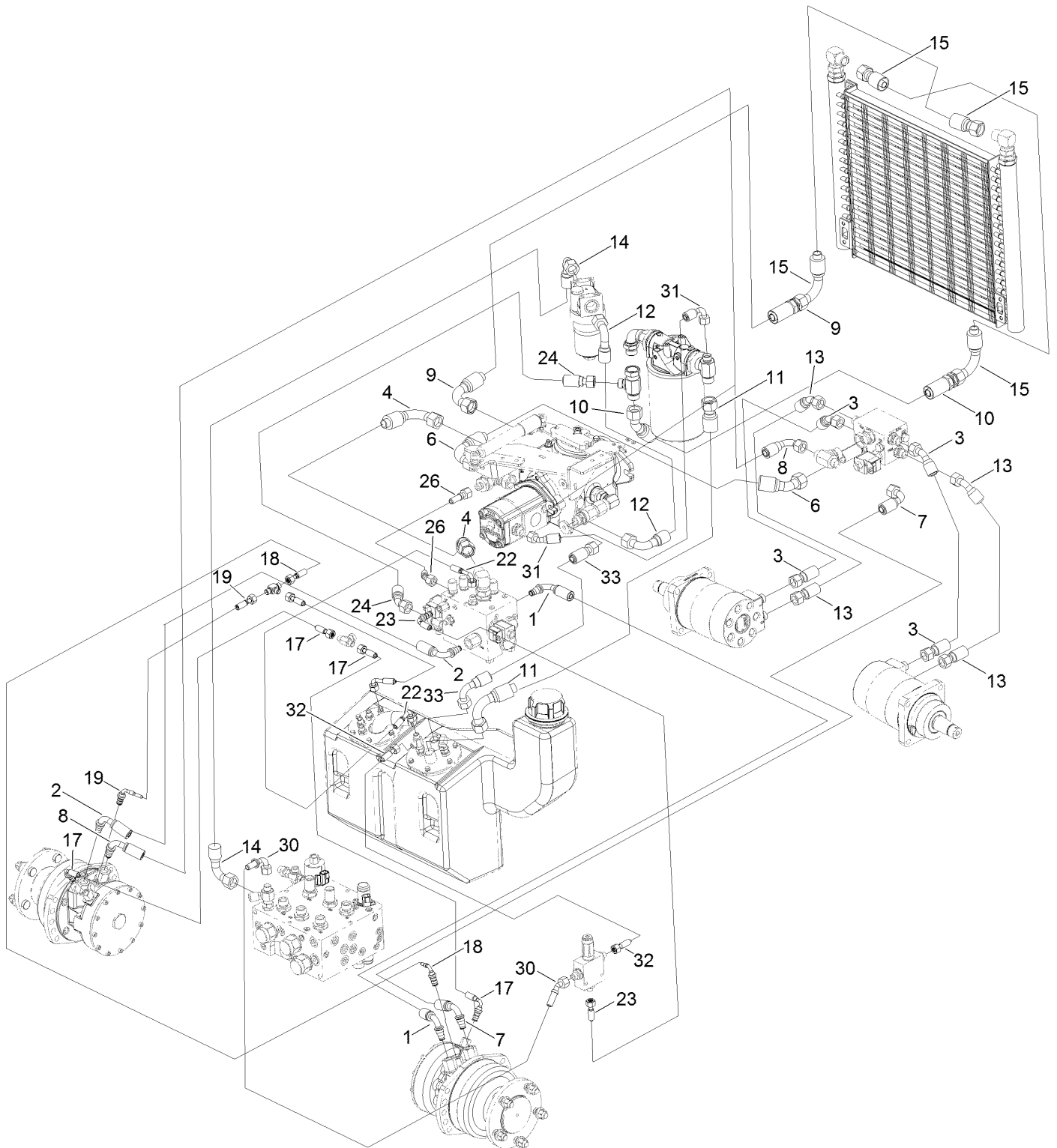
Transmission Pump Assembly No. 111-8723 (continued)

<i>Ref.</i>	<i>Part Number</i>	<i>Qty.</i>	<i>Description</i>	<i>Ref.</i>	<i>Part Number</i>	<i>Qty.</i>	<i>Description</i>
1	115-8092	1	Swashplate	28	110-6496	1	Nut-Seal
2	75-0400	1	Plate-Thrust	29	110-6497	1	Neutral Return Arm ASM
3	110-6483	2	Bearing Kit	29:1	110-6494	1	Bearing-Cam
4	110-6471	1	Seal-Lip	29:2	110-3056	1	Ring-Retaining
5	95-4400	1	Washer-Backup	30	69-3130	2	Plug
6	69-3200	2	Ring-Retaining	31	112-0158	2	Pin
7	111-9640	1	Shaft-Auxiliary	32	110-6477	1	Valve-Relief
8	110-6472	1	Cylinder Block Kit ASM	32:1	75-0240	1	O-Ring
9	110-6473	1	Plate-Valve (Clockwise)	32:2	84-0560	1	O-Ring
10	131-3800	1	Pin-Slotted	33	111-6775	1	Valve-Pressure Relief, 300 Bar
11	110-6486	1	Plug-Relief, Charge	33:1	111-4906	1	O-Ring
11:1	28-3570	1	O-Ring	33:2	111-4925	1	O-Ring
12	111-9641	1	Coupling	36	110-6499	1	Trunnion Cover ASM
13	111-4908	1	Shim Kit ASM	36:1	110-6478	1	Seal-Lip
14	110-6474	1	Spring	38	84-0430	2	O-Ring
15	110-6475	1	Poppet	39	112-0151	8	Screw
17	110-6476	1	Gasket-Cap, End	40	84-0450	1	Cover-Trunnion
18	75-0500	1	Bearing-Needle	46	110-6481	1	Seal Kit ●
19	110-6489	4	Screw	46:1	110-6471	1	Seal-Lip
20	94-9415	1	Plug ASM	46:2	28-3570	1	O-Ring
20:1		1	O-Ring ■	46:3	110-6476	1	Gasket-Cap, End
21	107-4364	1	Bypass Valve ASM	46:4		1	O-Ring ■
21:1	25-2630	1	Ring-Back Up	46:5	25-2630	1	Ring-Back Up
21:2	110-6498	1	O-Ring	46:6	110-6498	1	O-Ring
22	111-4917	2	Spring-Valve, Loop (Flushing)	46:7	75-0240	2	O-Ring
23	110-6492	1	Spool-Loop, Flush	46:8	84-0560	2	O-Ring
24	110-6493	1	Pivot-Return, Neutral	46:9	110-6478	1	Seal-Lip
25	69-3170	2	Ring-Retaining	46:10	84-0430	2	O-Ring
26	75-0460	1	Bearing-Ball	46:11		2	O-Ring ■
27	110-6495	1	Spring-Return, Neutral				

● Not illustrated

■ Not serviced separately

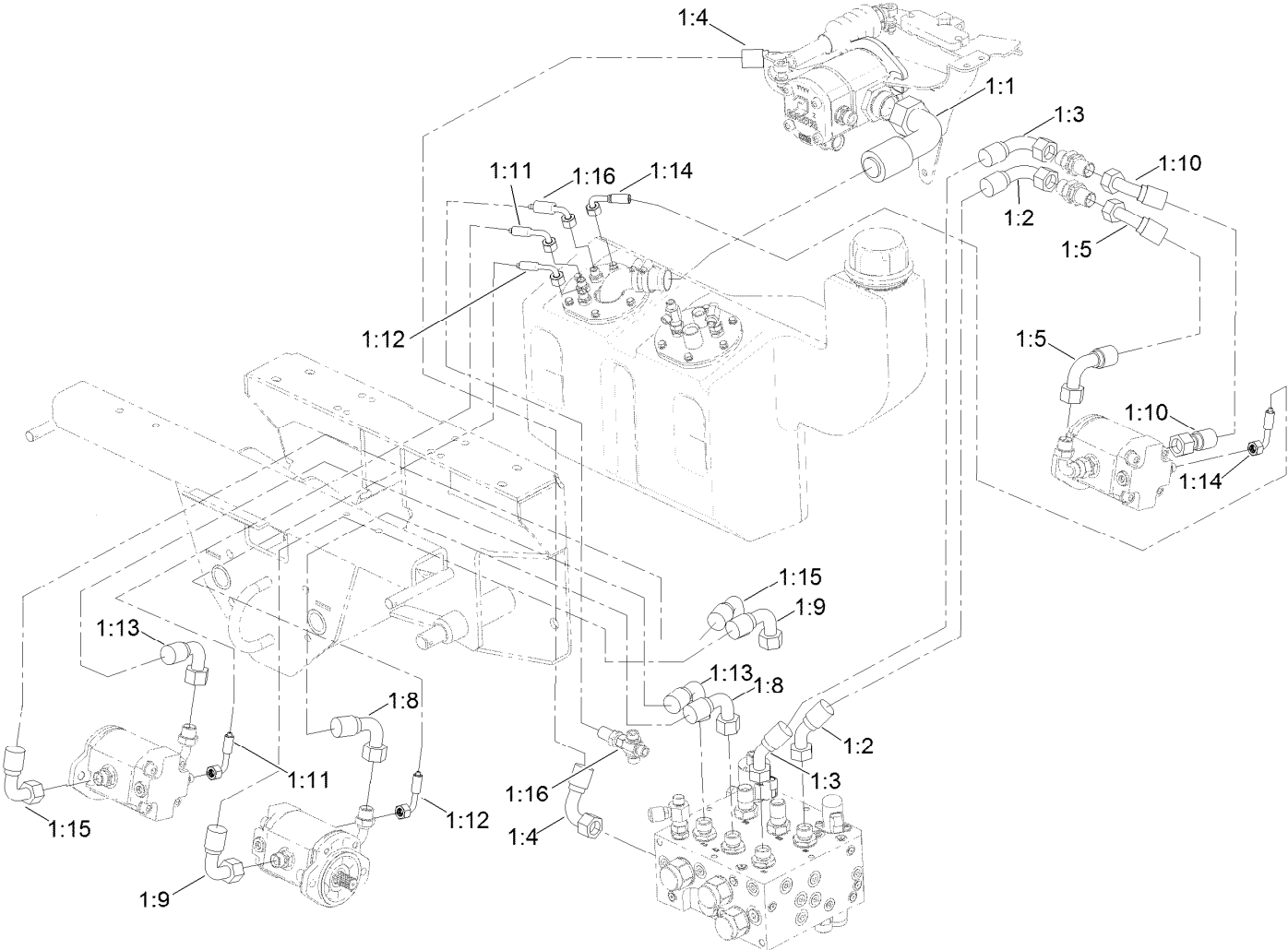
Transmission Hydraulic Hose Routing Assembly



Transmission Hydraulic Hose Routing Assembly (continued)

<i>Ref.</i>	<i>Part Number</i>	<i>Qty.</i>	<i>Description</i>	<i>Ref.</i>	<i>Part Number</i>	<i>Qty.</i>	<i>Description</i>
1	111-4473	1	Hose	15	111-9206	2	Hose
2	111-4474	1	Hose	17	111-4483	2	Hose
3	111-3576	2	Hose	18	111-3606	1	Hose
4	111-4475	1	Hose	19	111-9271	1	Hose
6	111-9765	1	Hose	22	111-6163	1	Hose
7	111-9204	1	Hose	23	111-9207	1	Hose
8	111-9205	1	Hose	24	111-9183	1	Hose
9	111-9199	1	Hose	26	111-4485	1	Hose
10	111-9202	1	Hose	30	111-9200	1	Hose
11	111-9203	1	Hose	31	111-9201	1	Hose
12	111-9188	1	Hose	32	111-9196	1	Hose
13	111-3595	2	Hose	33	111-9209	1	Hose
14	111-6950	1	Hose				

Cutting Hydraulic Hose Routing Assembly



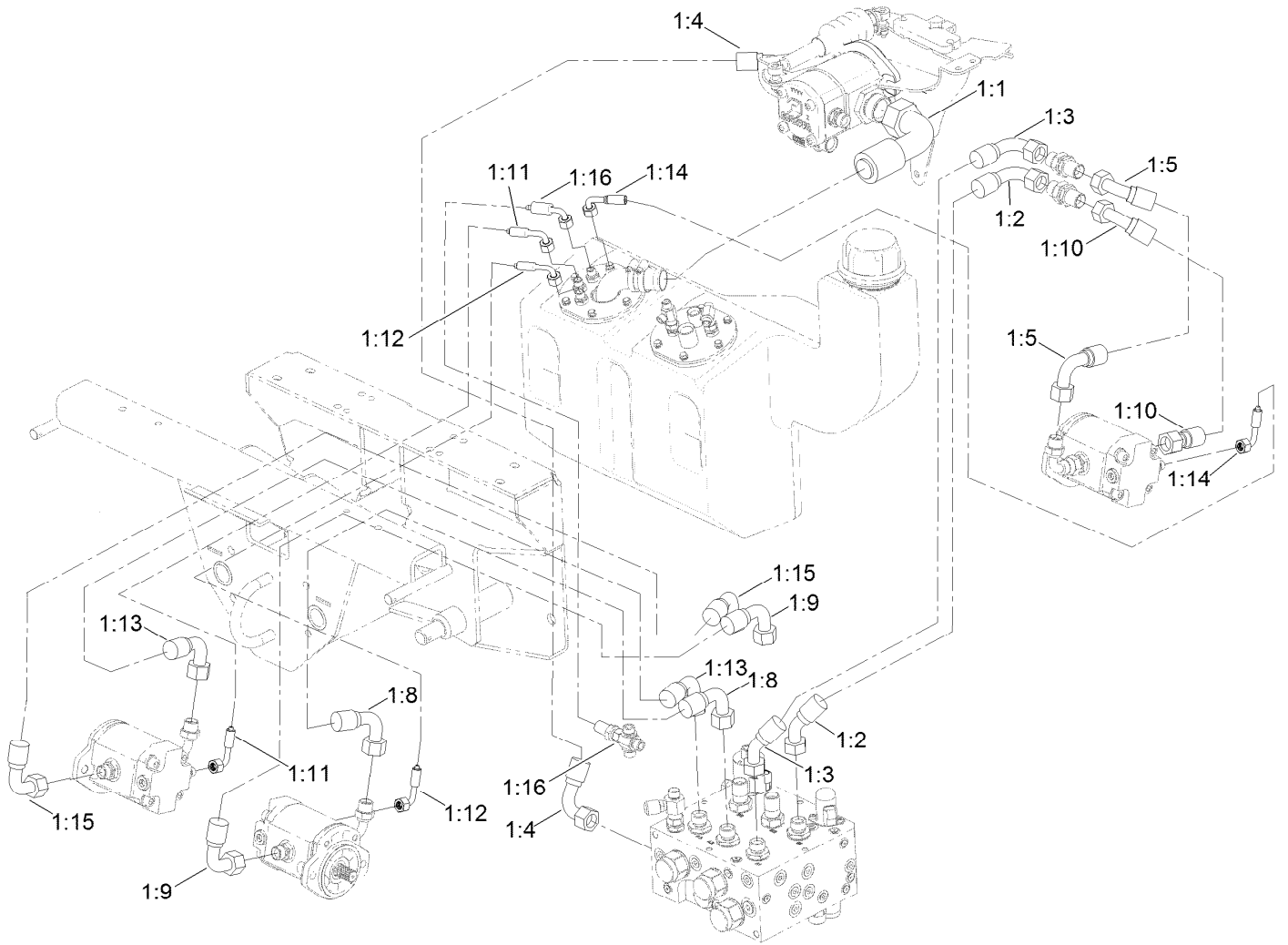
Cutting Hydraulic Hose Routing Assembly (continued)

<i>Ref.</i>	<i>Part Number</i>	<i>Qty.</i>	<i>Description</i>	<i>Ref.</i>	<i>Part Number</i>	<i>Qty.</i>	<i>Description</i>
1		1	Hosekit ASM ■●	1:10	111-9190	1	Hose
1:1	111-5486	1	Hose	1:11	111-9324	1	Hose
1:2	111-9193	1	Hose	1:12	111-9830	1	Hose
1:3	111-9192	1	Hose	1:13	111-9187	1	Hose
1:4	111-9191	1	Hose	1:14	111-9829	1	Hose
1:5	111-9189	1	Hose	1:15	111-9186	1	Hose
1:8	111-9184	1	Hose	1:16	111-9325	1	Hose
1:9	111-9185	1	Hose	17	10-11-034	1	Clamp-Hose, Hi-Torque ●

● Not illustrated

■ Not serviced separately

Cutting Hydraulic Hose Routing Assembly



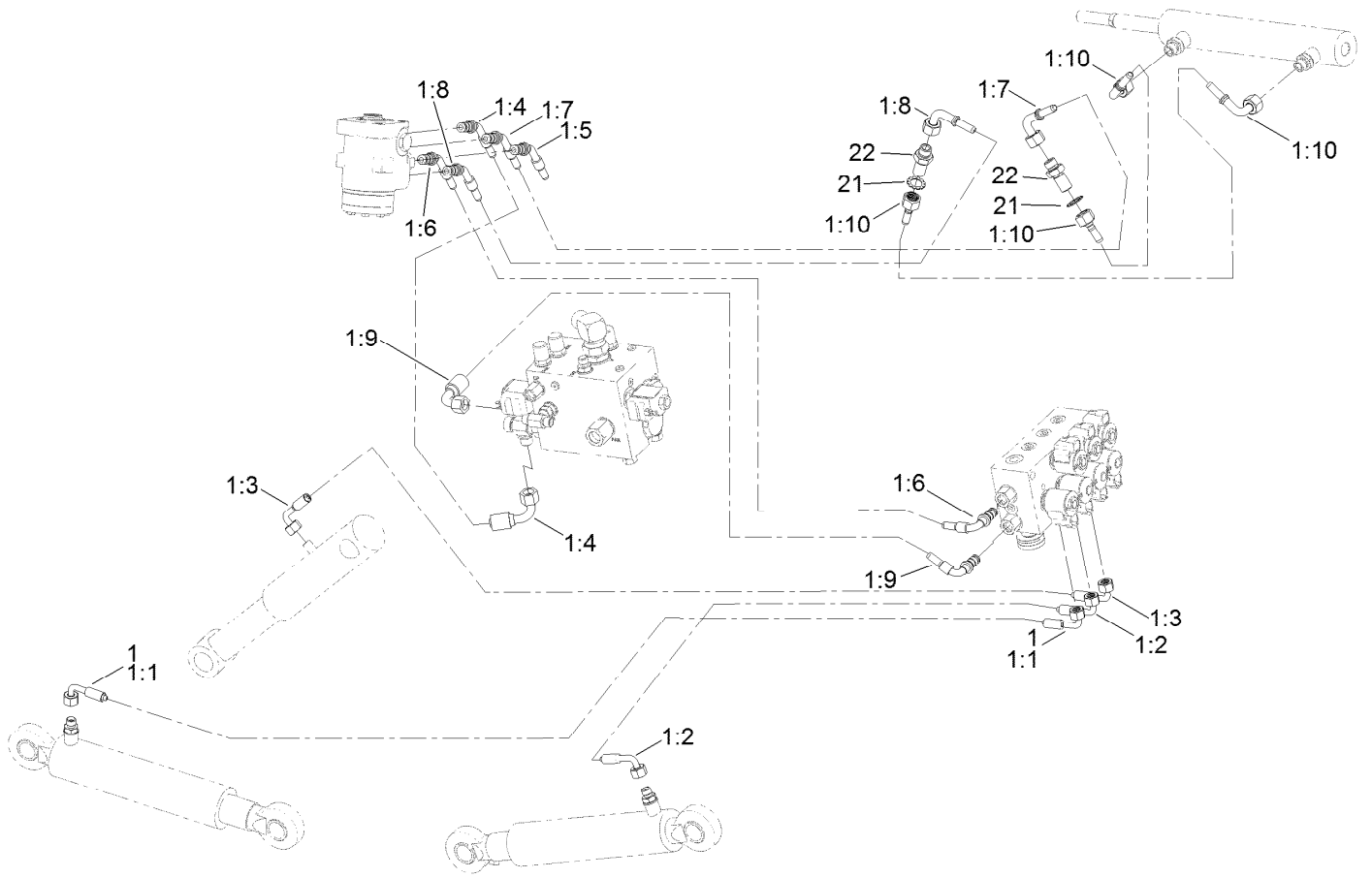
Cutting Hydraulic Hose Routing Assembly (continued)

<i>Ref.</i>	<i>Part Number</i>	<i>Qty.</i>	<i>Description</i>	<i>Ref.</i>	<i>Part Number</i>	<i>Qty.</i>	<i>Description</i>
1		1	Hosekit ASM ■●	1:10	111-9190	1	Hose
1:1	111-5486	1	Hose	1:11	111-9324	1	Hose
1:2	111-9193	1	Hose	1:12	111-9830	1	Hose
1:3	111-9192	1	Hose	1:13	111-9187	1	Hose
1:4	111-9191	1	Hose	1:14	111-9829	1	Hose
1:5	111-9189	1	Hose	1:15	111-9186	1	Hose
1:8	111-9184	1	Hose	1:16	111-9325	1	Hose
1:9	111-9185	1	Hose	17	10-11-034	1	Clamp-Hose, Hi-Torque ●

● Not illustrated

■ Not serviced separately

Hydraulic Lift Cylinder Hose Routing Assembly



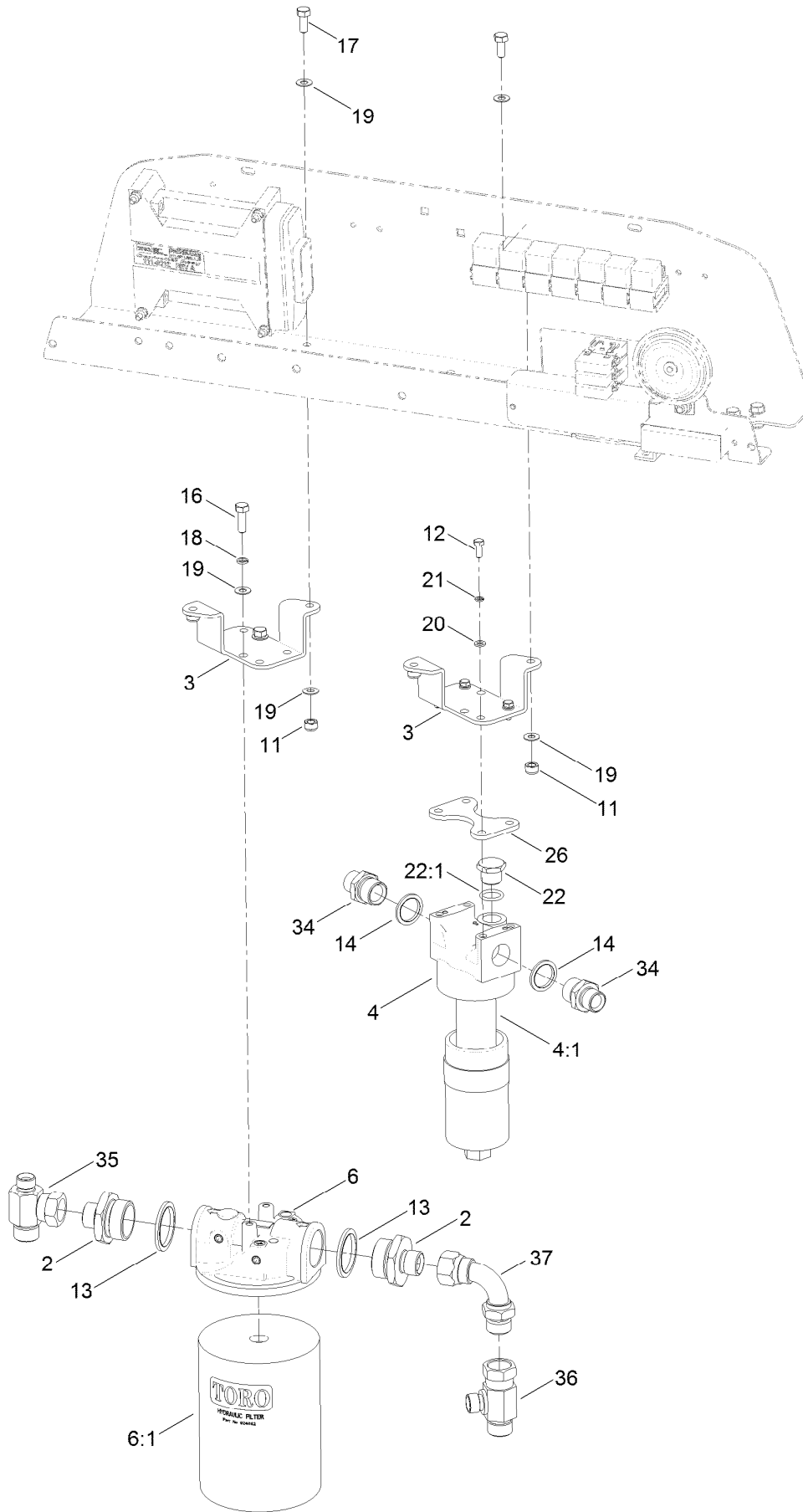
Hydraulic Lift Cylinder Hose Routing Assembly (continued)

<i>Ref.</i>	<i>Part Number</i>	<i>Qty.</i>	<i>Description</i>	<i>Ref.</i>	<i>Part Number</i>	<i>Qty.</i>	<i>Description</i>
1		1	Hosekit ASM ■	1:6:5	111-3509	2	Adaptor ●
1:1	111-3602	1	Hose	1:7	111-7538	1	Hose
1:2	111-3603	1	Hose	1:8	111-7539	1	Hose
1:3	111-3611	1	Hose	1:9	111-3618	1	Hose
1:4	111-3613	1	Hose	1:10	111-7537	2	Hose
1:5	111-3614	1	Hose	21	111-5622	2	Washer-Lock, Serrated
1:6	111-3615	1	Hose	22	30-06-208	2	Adaptor

● Not illustrated

■ Not serviced separately

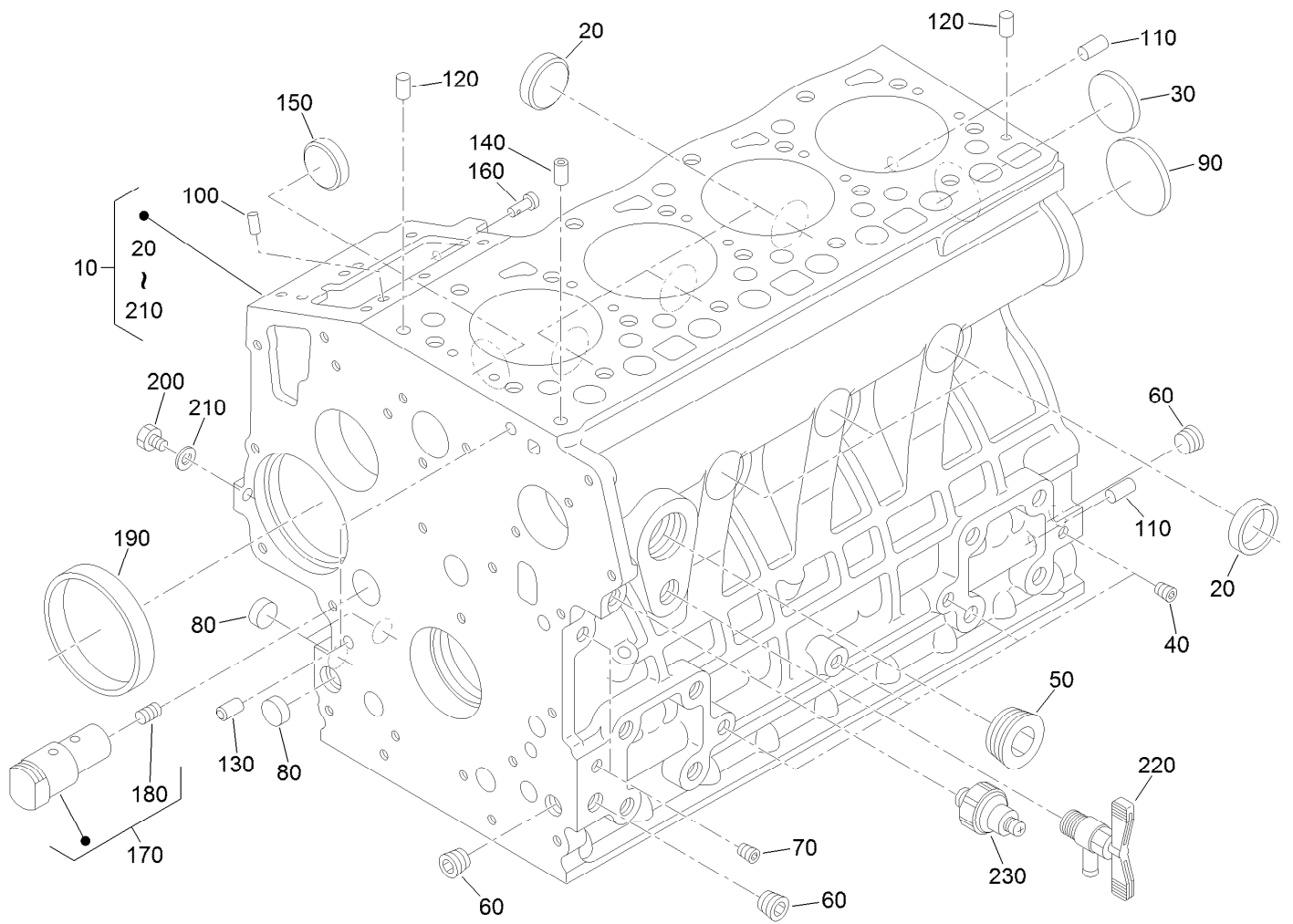
Filter Assembly



Filter Assembly (continued)

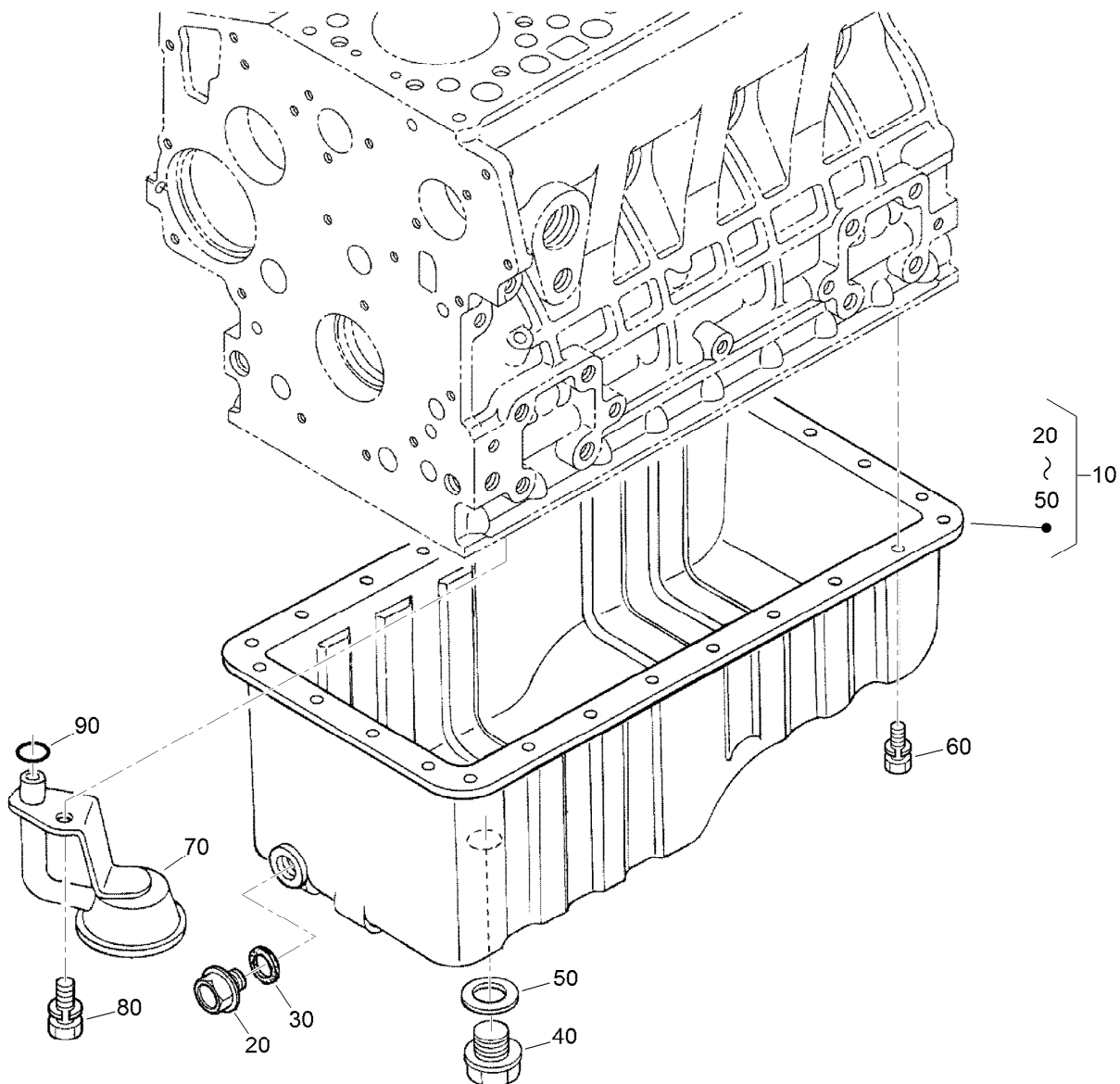
<i>Ref.</i>	<i>Part Number</i>	<i>Qty.</i>	<i>Description</i>	<i>Ref.</i>	<i>Part Number</i>	<i>Qty.</i>	<i>Description</i>
2	25-06-050	2	Adaptor	17	09368	4	Screw-HH
3	111-3485-03	2	Bracket-Filter, Oil	18	03469	2	Washer-Spring
4	924708	1	Pressure Filter ASM	19	09475	10	Washer
4:1	924709	1	Element-Filter, Pressure	20	09472	4	Washer-Plain
4:2	924710	1	Indicator-Filter, Pressure ●	21	09474	4	Washer-Spring
6	111-7508	1	Return Filter ASM	22	111-3926	1	Plug
6:1	924692	1	Element-Filter	22:1	63-06-111	1	Seal-O Ring
11	09441	4	Nut-Hex, NI	26	111-4843-03	1	Spacer-Oil Filter
12	09362	4	Screw-HH	34	994626	2	Adaptor-BSPP
13	10-06-035	2	Seal-Dowty	35	111-9110	1	Fitting-Tee
14	10-06-033	2	Seal-Dowty	36	111-9112	1	Fitting-Tee
16	03162	2	Screw-HH	37	111-9113	1	Fitting-Elbow-90

● Not illustrated



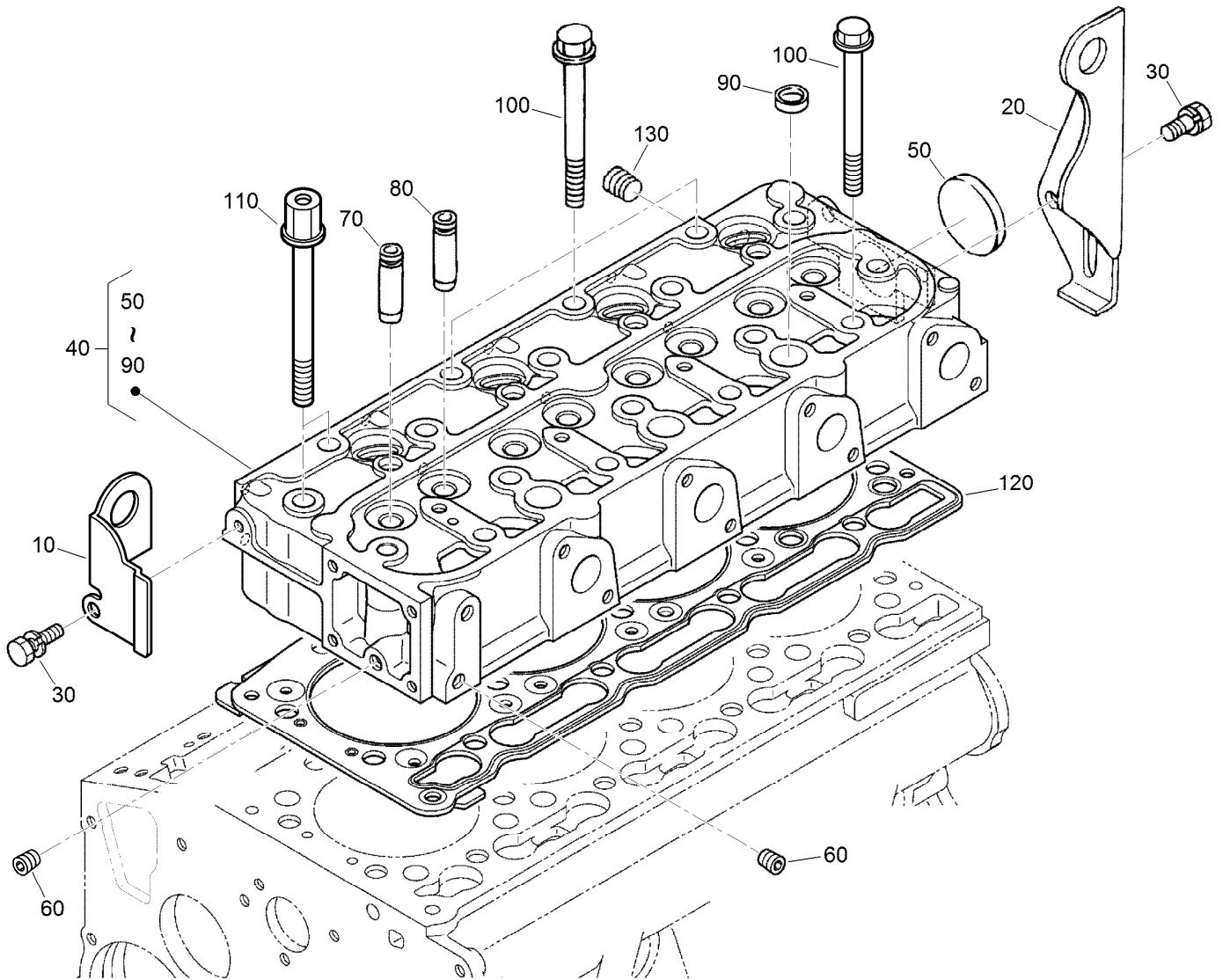
Crankcase Assembly

<i>Ref.</i>	<i>Part Number</i>	<i>Qty.</i>	<i>Description</i>	<i>Ref.</i>	<i>Part Number</i>	<i>Qty.</i>	<i>Description</i>
10	131-3832	1	Crankcase ASM	130	98-9387	2	Pin-Pipe
20	98-9398	6	Cap-Sealing	140	98-9539	1	Pin-Pipe
30	98-7539	1	Cap-Sealing	150	98-9599	1	Plug
40	98-9687	4	Plug	160	105-3796	1	Pin-Spring, Start
50	99-8347	1	Joint-Pipe, Drain	170	130-1237	1	Idler Shaft ASM
60	98-9597	3	Plug	180	98-7449	1	Screw-Set
70	98-7487	2	Plug	190	98-9656	1	Bushing-Governor, Gear
80	98-9379	3	Plug-Expansion	200	120-2559	1	Plug
90	98-9668	1	Plug-Expansion	210	98-7428	1	Gasket
100	98-9375	2	Pin-Straight	220	120-3121	1	Draincock ASM
110	98-9377	2	Pin-Straight	230	98-7764	1	Switch-Oil
120	98-9376	2	Pin-Straight				



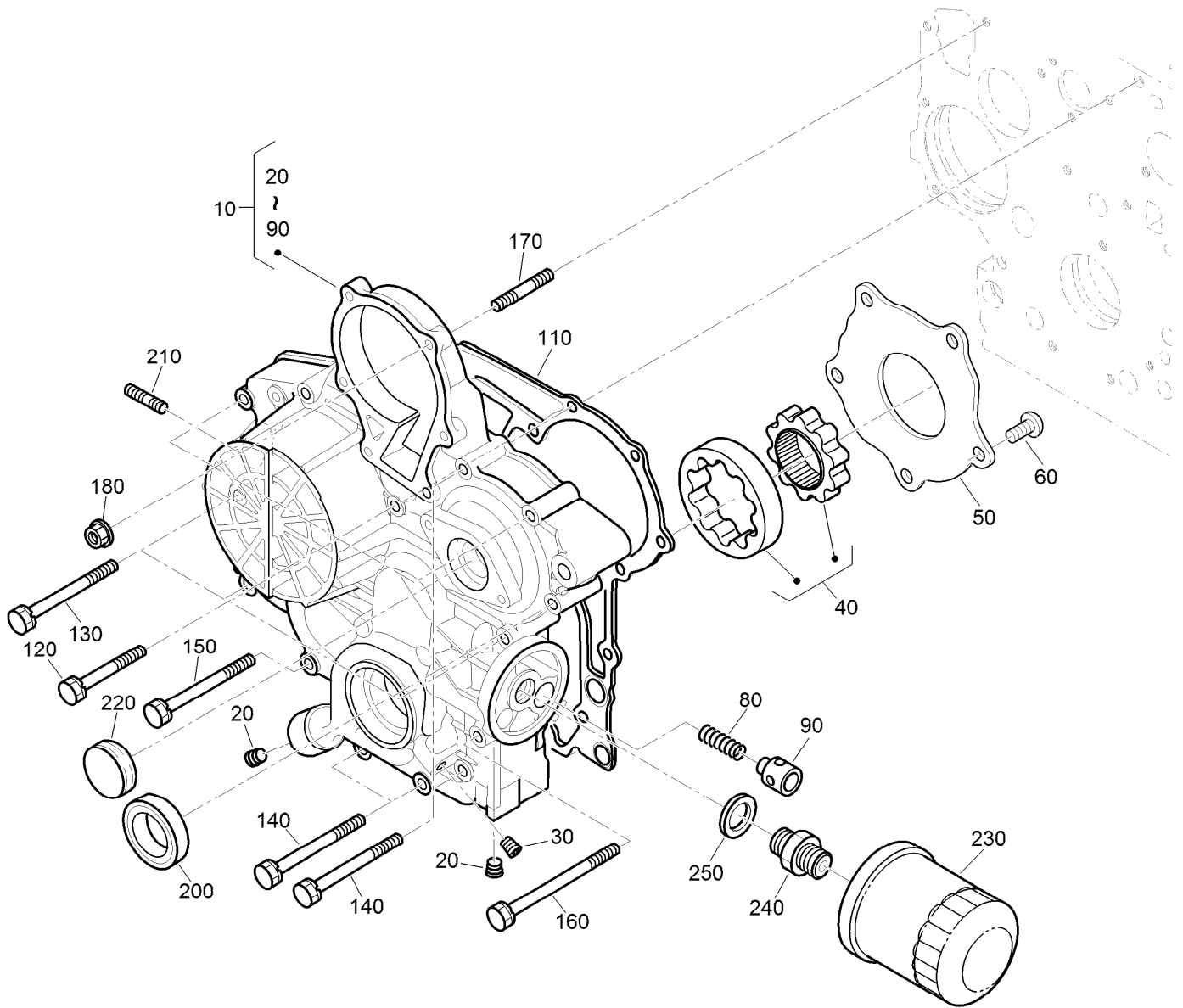
Oil Pan Assembly

Ref.	Part Number	Qty.	Description
10	130-1283	1	Oil Pan Kit
20	114-8151	1	Plug-Drain
30	AU87421317	1	Washer-Seal
40	105-3703	1	Plug-Drain
50	110-9715	1	Gasket-Pan, Oil
60	98-9351	26	Bolt
70	115-4116	1	Filter-Oil
80	98-7526	1	Bolt
90	105-3776	1	O-Ring



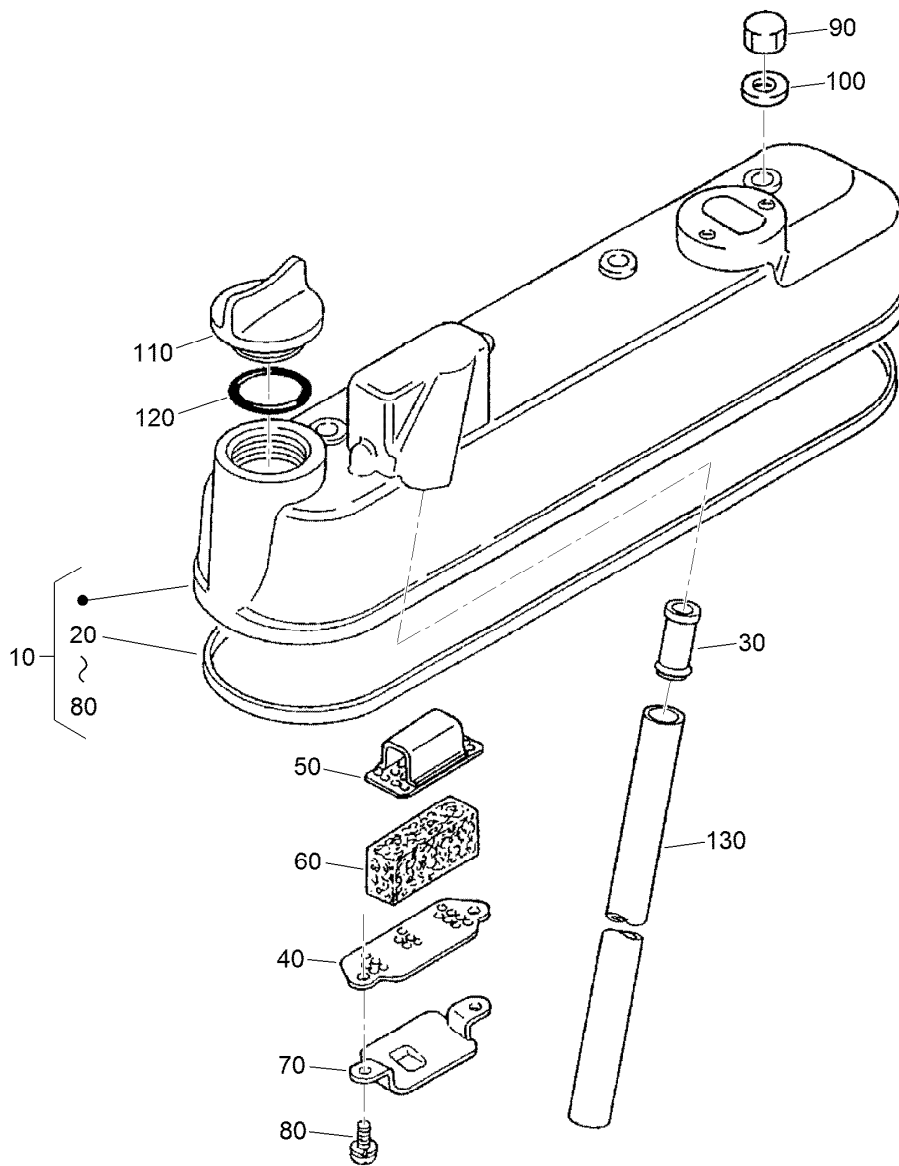
Cylinder Head Assembly

Ref.	Part Number	Qty.	Description
10	130-1231	1	Hook-Engine
20	98-9478	1	Hook-Engine
30	100-9195	2	Bolt
40	130-1382	1	*obs* Cylinder Head ASM
50	105-3705	1	Cap-Sealing
60	98-9687	2	Plug
70	107-9066	4	Guide-Valve, Inlet
80	107-9067	4	Guide-Valve, Exhaust
90	98-9389	3	Cap-Sealing
100	98-9479	15	Bolt-Head, Cylinder
110	98-9647	3	Bolt-Head, Cylinder
120	127-0434	1	Gasket-Head, Cylinder
130	98-9444	1	Plug



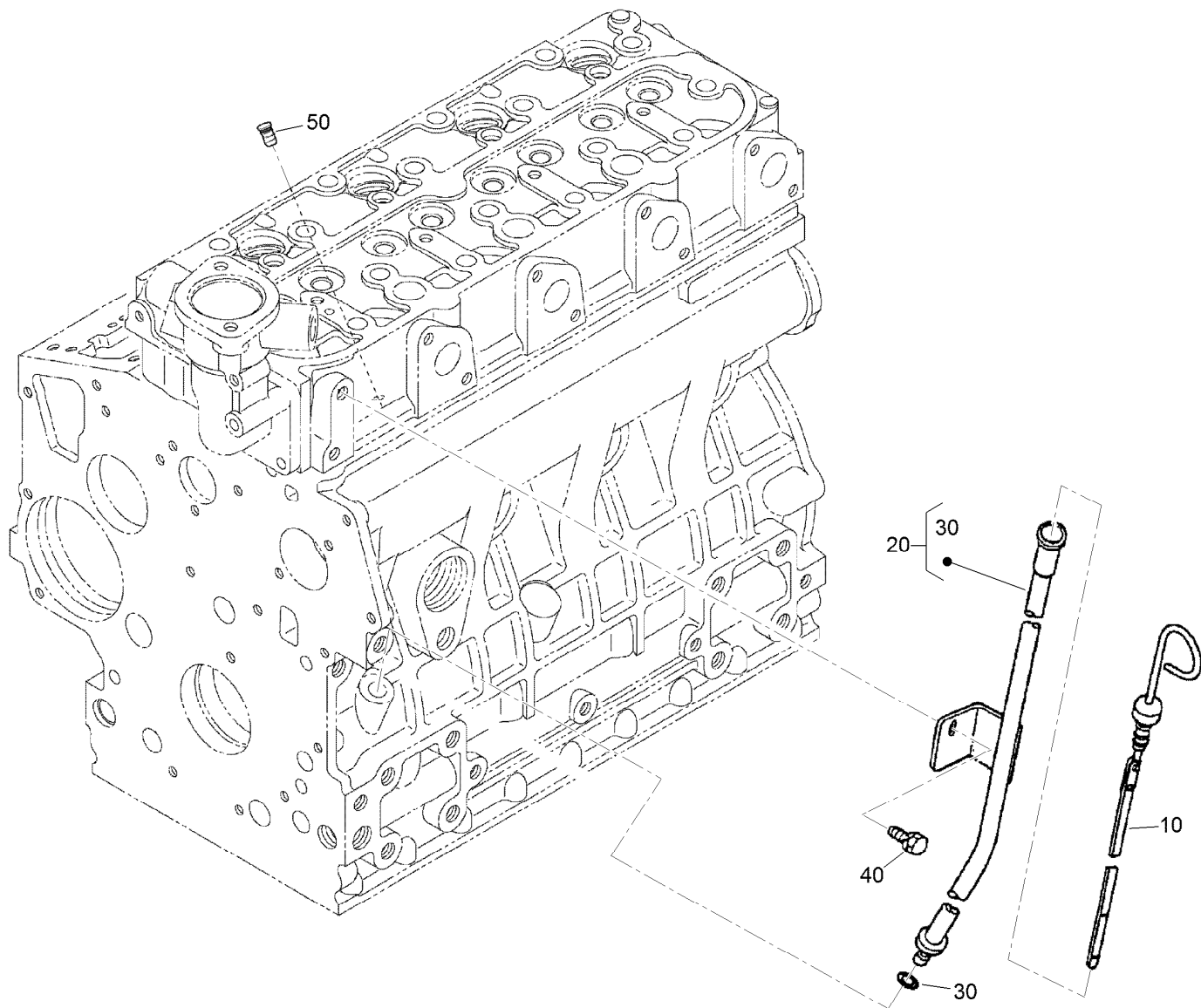
Gear Case and Oil Filter Cartridge Assembly

Ref.	Part Number	Qty.	Description	Ref.	Part Number	Qty.	Description
10	131-3833	1	Gear Case ASM	140	98-9356	4	Bolt
20	127-0425	2	Plug	150	107-9074	1	Bolt
30	98-7487	1	Plug	160	99-3510	1	Bolt
40	130-1508	1	Rotor ASM	170	105-3709	1	Stud
50	130-1509	1	Cover-Pump, Oil	180	100-2203	1	Nut-Flange
60	130-1164	5	Screw-Binding	200	119-8038	1	Seal-Oil
80	130-1511	1	Spring	210	105-3710	2	Stud
90	130-1510	1	Valve-Relief	220	99-3515	1	Plug-Gearcase
110	98-9633	1	Gasket-Case, Gear	230	127-0511	1	Filter-Oil
120	100-1765	3	Bolt	240	104-5159	1	Holder ASM
130	125-9063	4	Bolt-Sems	250	98-9727	1	Collar



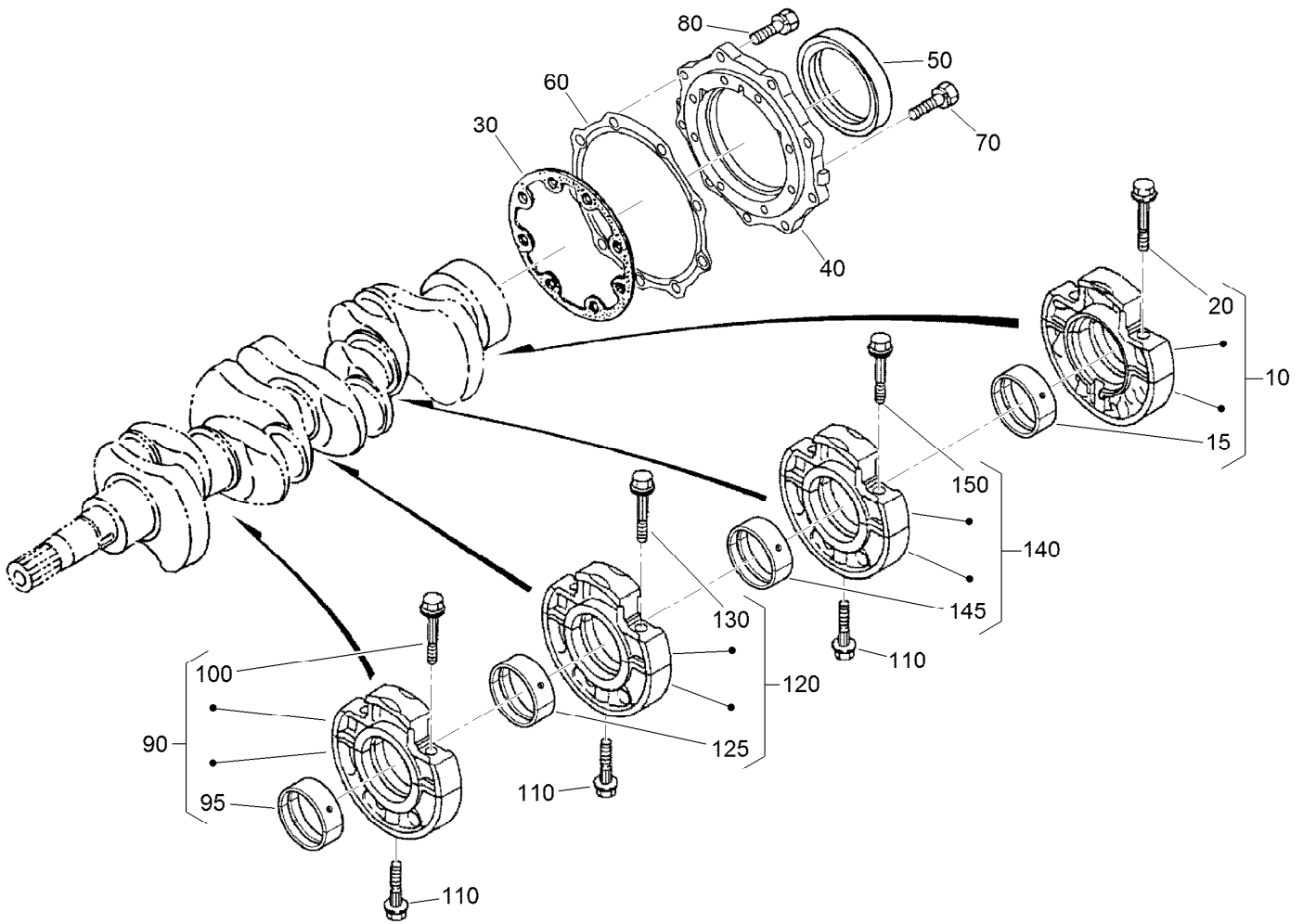
Cylinder Head Cover Assembly

<i>Ref.</i>	<i>Part Number</i>	<i>Qty.</i>	<i>Description</i>
10	105-3711	1	Cylinder Head Cover ASM
20	105-3712	1	Gasket-Cover, Head
30	98-9492	1	Joint-Pipe, Breather
40	98-9488	1	Plate-Element, Breather
50	98-9489	1	Plate-Element, Breather
60	98-9493	1	Element-Breather
70	98-9490	1	Shield-Oil, Breather
80	98-9364	2	Screw (With Washer)
90	98-9455	4	Nut-Cap
100	98-9454	4	Gasket
110	107-9075	1	Plug-Filler, Oil
120	131-3834	1	O Ring
130	98-9491	1	Pipe-Breather



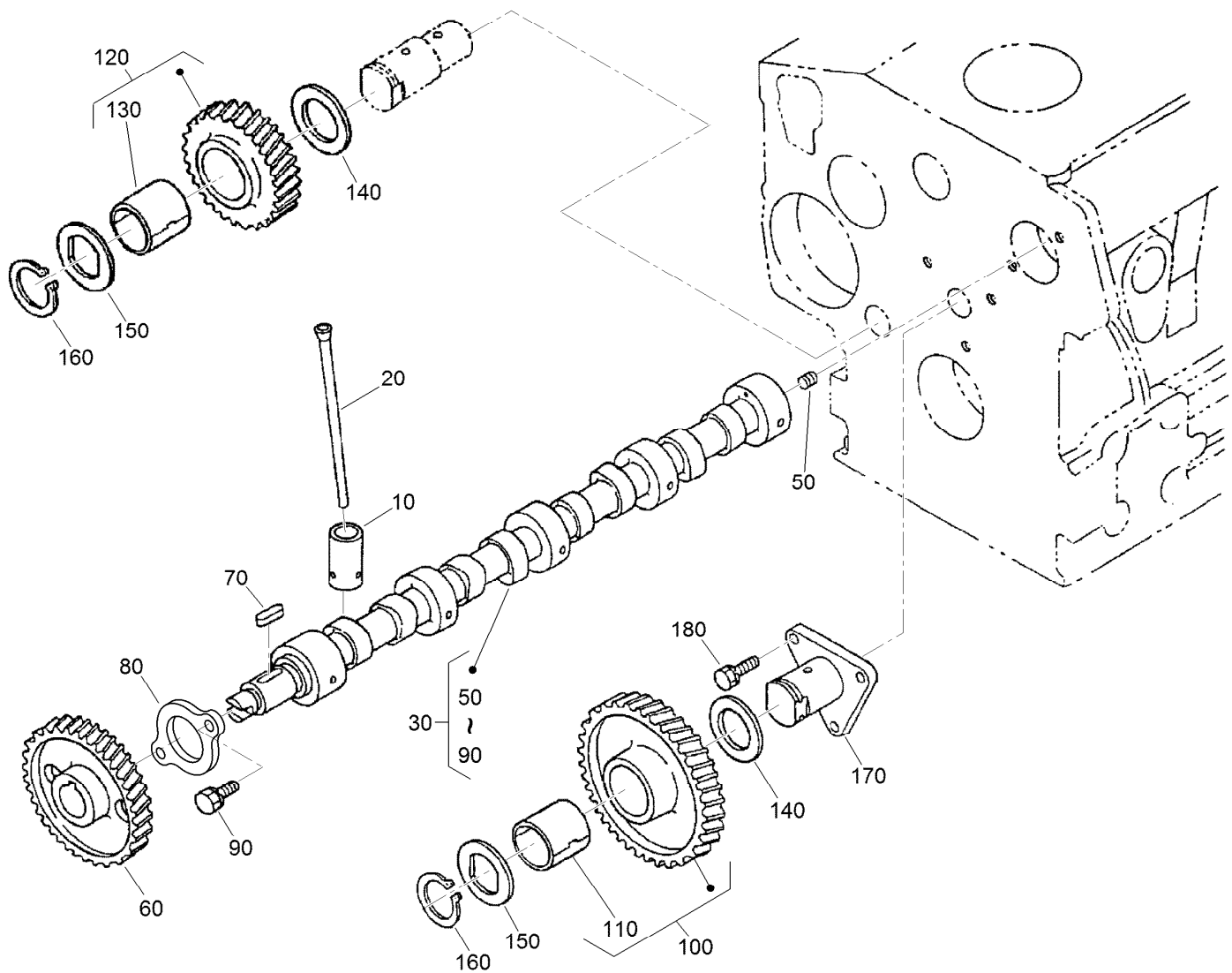
Oil Dipstick and Guide Assembly

<i>Ref.</i>	<i>Part Number</i>	<i>Qty.</i>	<i>Description</i>
10	120-3124	1	Gauge-Oil
20	98-9672	1	Oil Gauge Guide ASM
30	98-9722	1	O-Ring
40	AU126123A1	1	Bolt
50	110-3720	1	Plug-Gauge, Oil



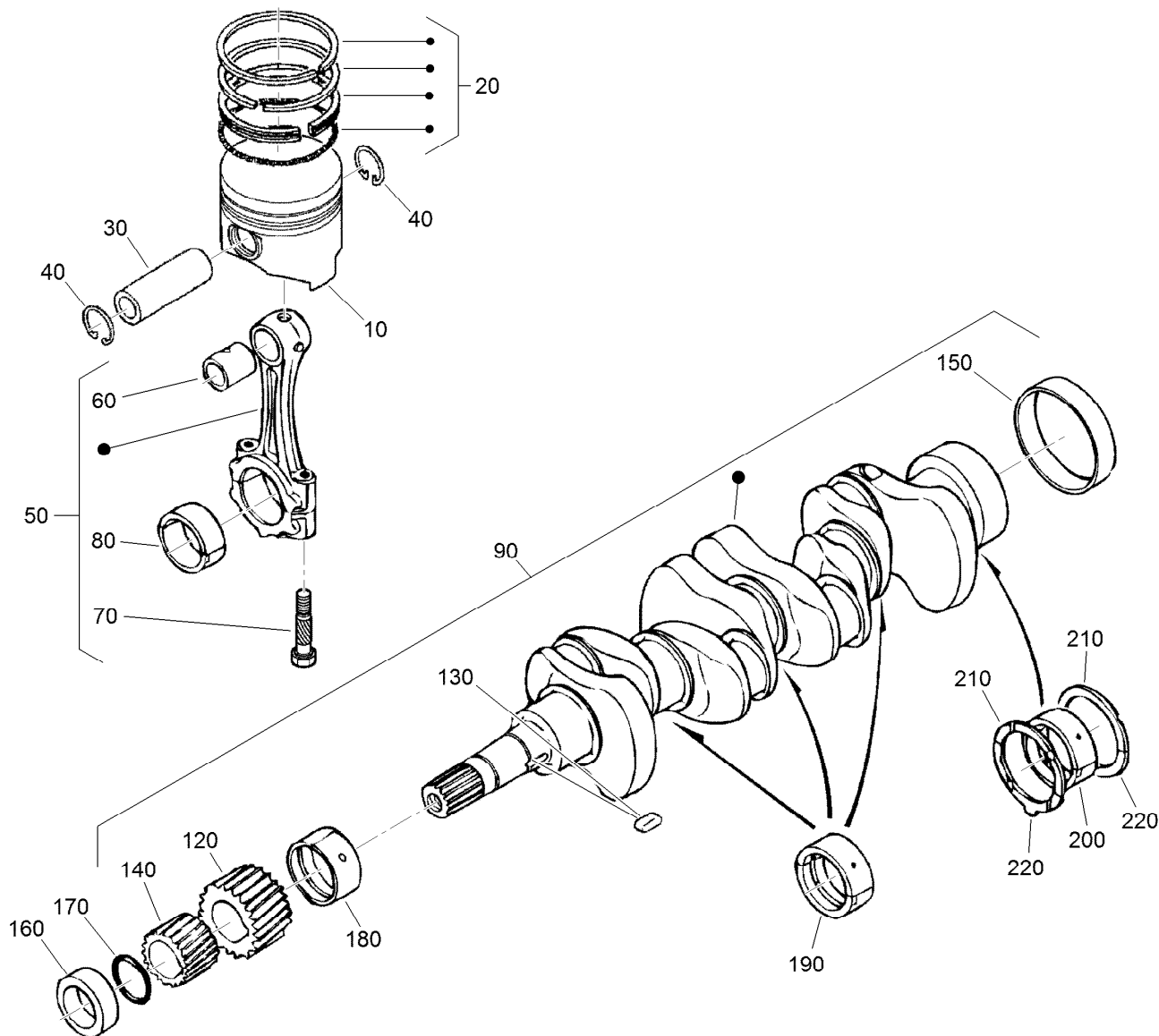
Main Bearing Case Assembly

<i>Ref.</i>	<i>Part Number</i>	<i>Qty.</i>	<i>Description</i>	<i>Ref.</i>	<i>Part Number</i>	<i>Qty.</i>	<i>Description</i>
10	112-7026	1	Wheel Bearing Case ASM	95	98-9524	1	Metal-Crankshaft (STD Set)
15	115-4121	1	Metal-Crankshaft (STD)	100	98-9484	2	Bolt-Case, Bearing
20	98-9484	2	Bolt-Case, Bearing	110	98-9485	3	Bolt-Case, Bearing
30	131-6554	1	Gasket-Case, Bearing	120	131-3836	1	Bearing Case ASM
40	112-7046	1	Cover-Case, Bearing	125	98-9524	1	Metal-Crankshaft (STD Set)
50	112-0180	1	Seal-Oil	130	98-9484	2	Bolt-Case, Bearing
60	112-7037	1	Gasket-Cover, Case	140	131-3837	1	Bearing Case ASM
70	127-0441	8	Bolt	145	98-9524	1	Metal-Crankshaft (STD Set)
80	127-0442	9	Bolt	150	98-9484	2	Bolt-Case, Bearing
90	131-3835	1	Bearing Case ASM				



Cam Shaft and Idle Gear Assembly

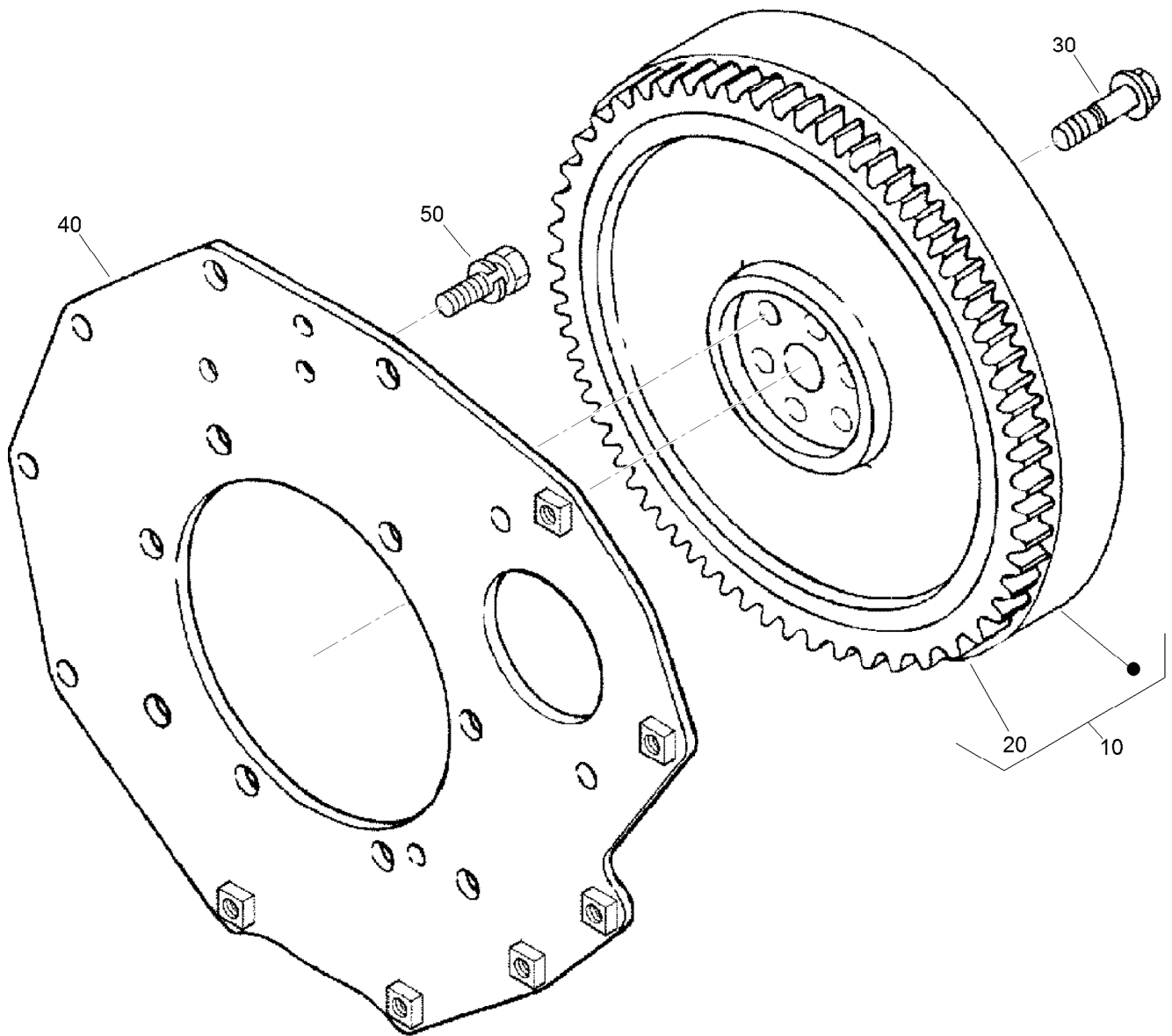
<i>Ref.</i>	<i>Part Number</i>	<i>Qty.</i>	<i>Description</i>	<i>Ref.</i>	<i>Part Number</i>	<i>Qty.</i>	<i>Description</i>
10	112-0185	8	Tappet	110	117-7585	1	Bushing-Gear, Idle
20	127-0421	8	Rod-Push	120	130-1259	1	Idler Gear ASM
30	112-8402	1	Camshaft ASM	130	117-7585	1	Bushing-Gear, Idle
50	110-3729	1	Ball	140	98-9535	2	Collar-Gear, Idle
60	98-9512	1	Gear-Cam	150	98-9536	2	Collar-Gear, Idle
70	98-9378	1	Key-Feather	160	98-9534	2	Circlip-Gear, Idle
80	131-6555	1	Stopper (Camshaft)	170	98-9533	1	Shaft-Gear, Idle
90	98-7692	2	Bolt	180	98-7692	3	Bolt
100	117-7584	1	Idler Gear ASM				



Piston and Crankshaft Assembly

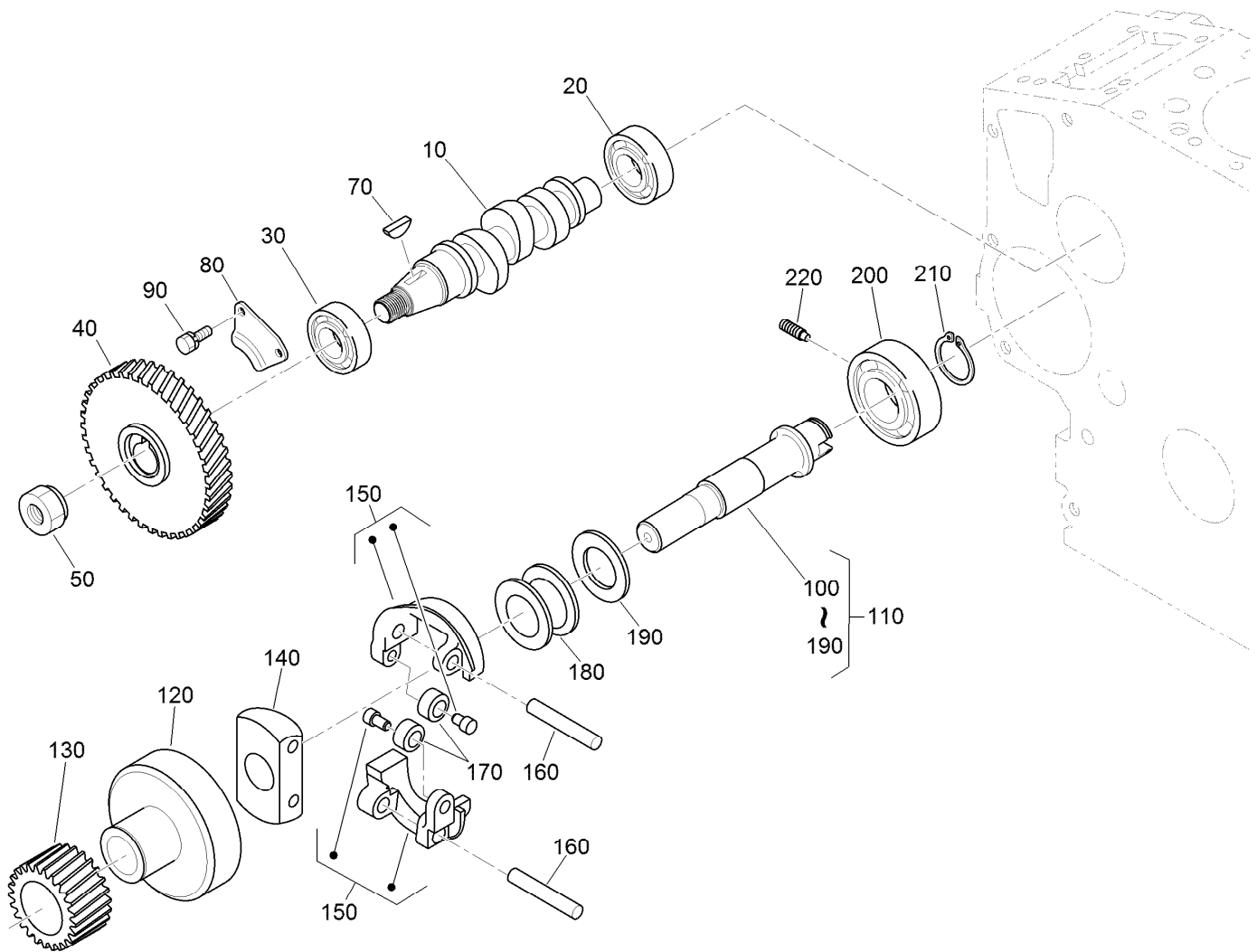
Ref.	Part Number	Qty.	Description
10	98-9550	4	Piston (STD)
10	108-1417	1	Piston (+0.5Mm)
20	98-9551	4	Piston Ring ASM (STD)
20	108-1404	1	Piston Ring ASM (+0.5Mm)
30	98-9513	4	Pin-Piston
40	98-9514	8	Circlip-Pin, Piston
50	117-7586	4	Connecting Rod ASM
60	115-3014	4	Bushing-Pin, Piston
70	98-9517	8	Bolt-Rod, Connecting
80	98-9553	4	Bearing-Rod (STD)
80	98-9519	1	Bearing-Rod (-0.2Mm)
80	117-7588	1	Metal-Crankpin (-0.4Mm)
90	120-2561	1	Crankshaft ASM
120	117-7561	1	Gear-Crankshaft
130	98-9666	1	Key
140	127-0445	1	Gear-Drive, Oil Pump
150	98-9522	1	Sleeve-Crankshaft

Ref.	Part Number	Qty.	Description
160	127-0444	1	Collar-Crankshaft
170	105-3783	1	O-Ring
180	112-7005	1	Bearing-Main (STD)
180	98-9528	1	Bearing-Main (-0.2Mm)
180	127-0432	1	Metal-Crankshaft (-0.4Mm)
190	98-9524	3	Metal-Crankshaft (STD Set)
190	127-0433	3	Metal-Crankshaft (-0.2Mm)
190	98-9531	3	Bearing-Main (0.4Mm)
200	115-4121	1	Metal-Crankshaft (STD)
200	112-7039	1	Metal-Crankshaft (0.2Mm)
200	112-7040	1	Metal-Crankshaft (-0.4Mm)
210	98-9413	2	Bearing-Thrust (STD)
210	127-0416	1	Metal-Side (+0.2Mm)
210	127-0417	1	Metal-Side (+0.40Mm)
220	98-9688	2	Bearing-Thrust (STD)
220	127-0437	1	Metal-Side (+0.2Mm)
220	127-0438	1	Metal-Side (+0.40Mm)



Flywheel Assembly

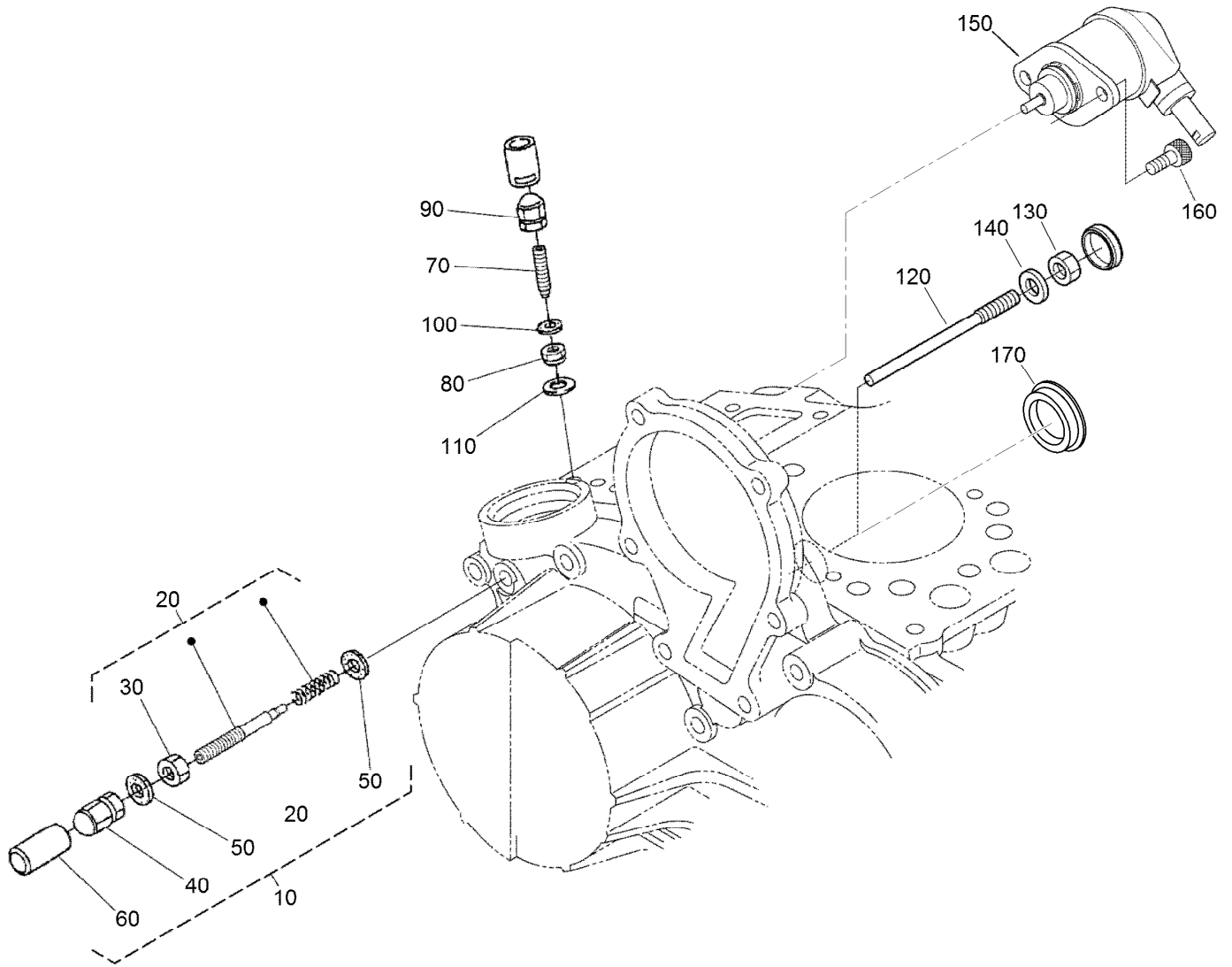
<i>Ref.</i>	<i>Part Number</i>	<i>Qty.</i>	<i>Description</i>
10	105-3721	1	Flywheel ASM
20	115-3015	1	Gear-Ring
30	98-9537	6	Bolt-Flywheel
40	98-9486	1	Plate-End, Rear
50	98-9392	8	Bolt



Fuel Camshaft and Governor Shaft Assembly

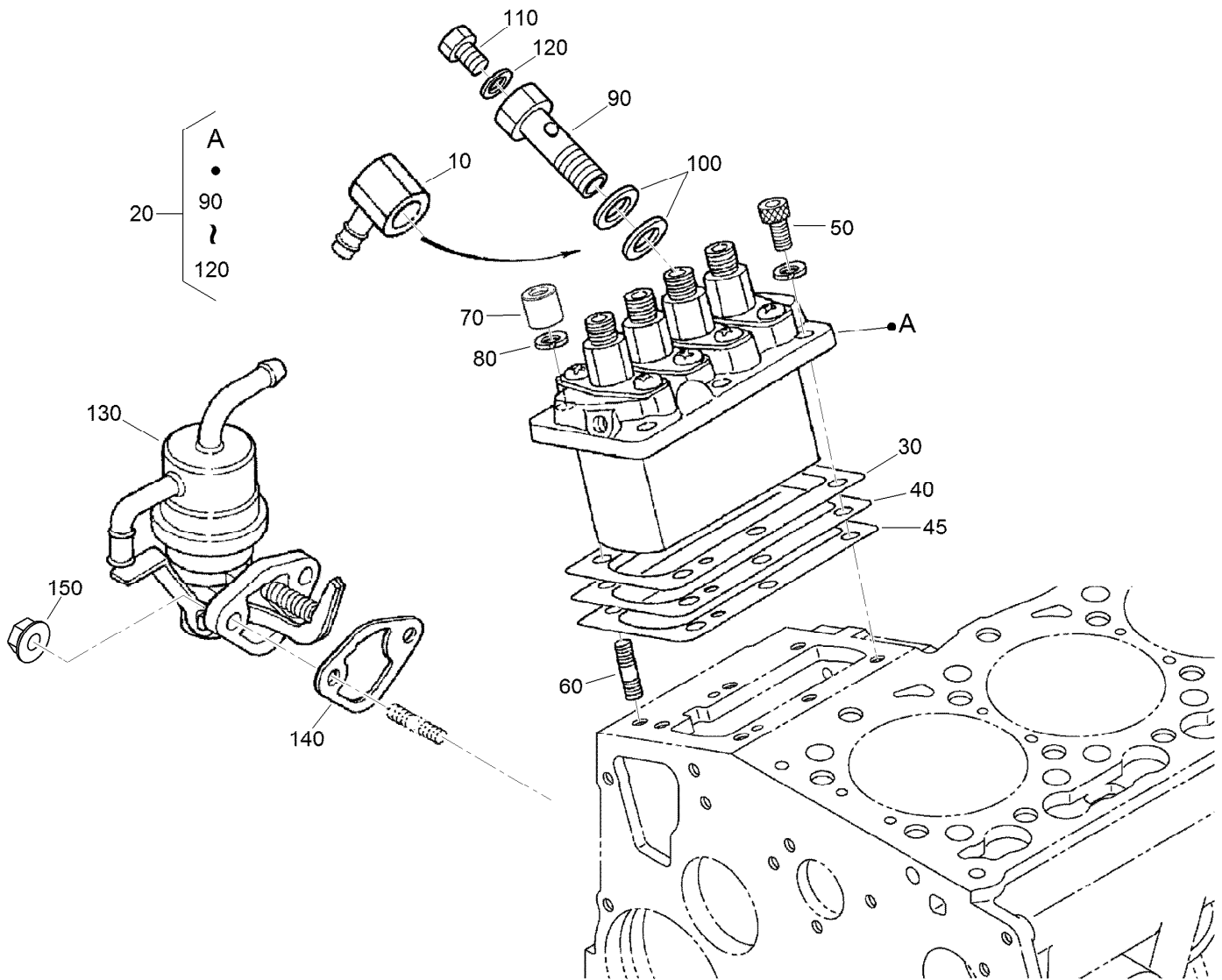
Ref.	Part Number	Qty.	Description
10	105-3723	1	Camshaft-Fuel
20	107-9077	1	Bearing-Ball
30	107-9078	1	Bearing-Ball
40	98-9669	1	Gear-Pump, Injection
50	130-1512	1	Nut
70	98-9595	1	Key-Woodruff
80	98-9511	1	Stopper-Fuel, Camshaft
90	98-7692	2	Bolt
100	130-1261	1	Governor Shaft ASM
110	105-3725	1	Shaft-Governor
120	98-9562	1	Holder-Gear, Governor

Ref.	Part Number	Qty.	Description
130	130-1264	1	Gear-Governor
140	98-9561	1	Holder-Weight, Governor
150	130-1263	2	Governor Weight ASM
160	98-9560	2	Shaft-Weight, Governor
170	98-9692	2	Roller
180	98-9563	1	Sleeve-Governor
190	98-9564	1	Washer-Thrust
200	107-9079	1	Bearing-Ball
210	98-9657	1	Circlip-Shaft, Governor
220	98-9565	1	Screw-Set



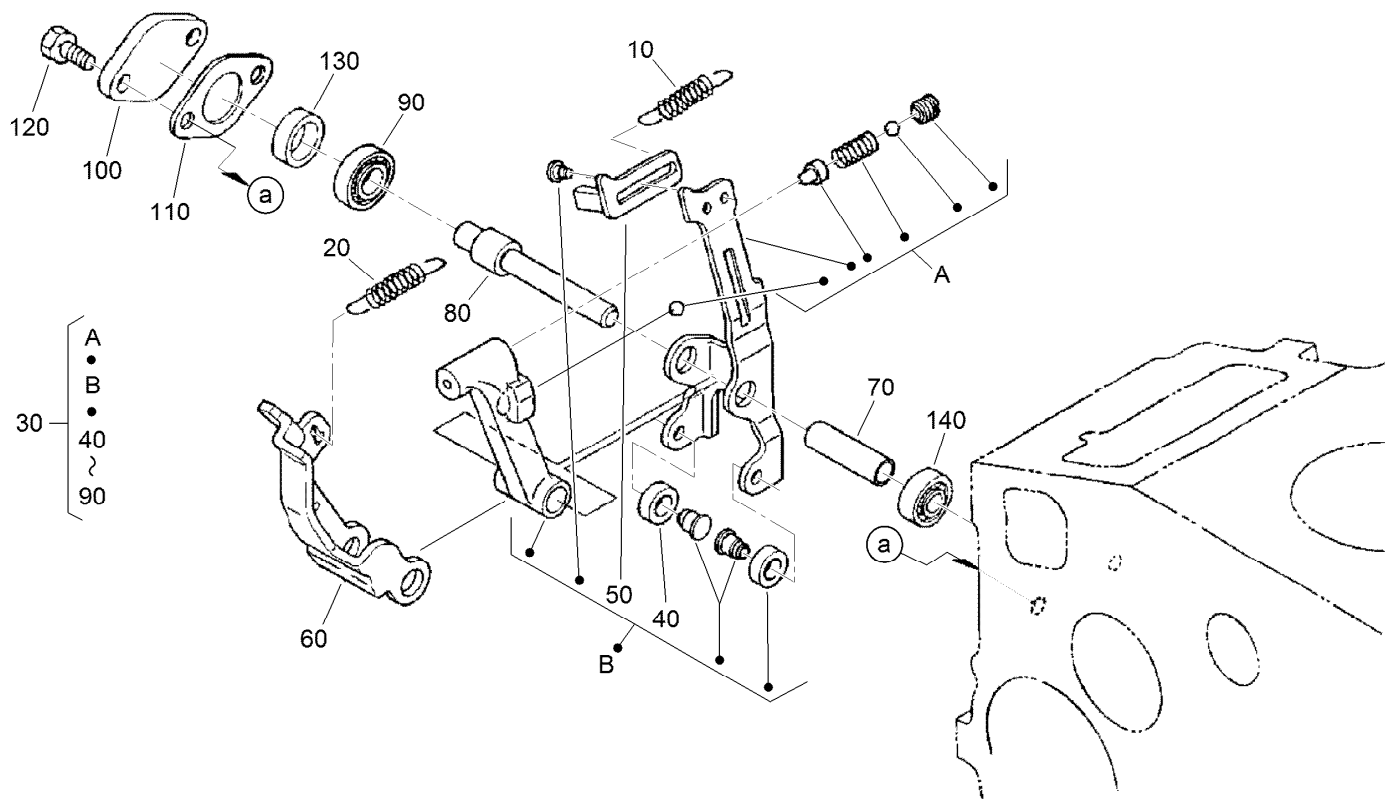
Idle Apparatus and Stop Solenoid Assembly

<i>Ref.</i>	<i>Part Number</i>	<i>Qty.</i>	<i>Description</i>	<i>Ref.</i>	<i>Part Number</i>	<i>Qty.</i>	<i>Description</i>
10	98-9678	1	Idle Apparatus ASM	100	98-7654	1	Gasket
20	112-7014	1	Adjusting Bolt ASM	110	107-9081	1	Gasket
30	98-9439	1	Nut	120	131-3838	1	Bolt
40	112-0181	1	Nut	130	98-7572	1	Nut
50	98-7654	2	Gasket	140	98-7654	1	Gasket
60	98-7656	1	Cap	150	104-5155	1	Solenoid-Stop
70	112-7015	1	Bolt-Adjusting	160	130-1155	2	Screw-HSH
80	100-2175	1	Nut-Lock	170	112-7016	1	Cover-Pump
90	112-0181	1	Nut				



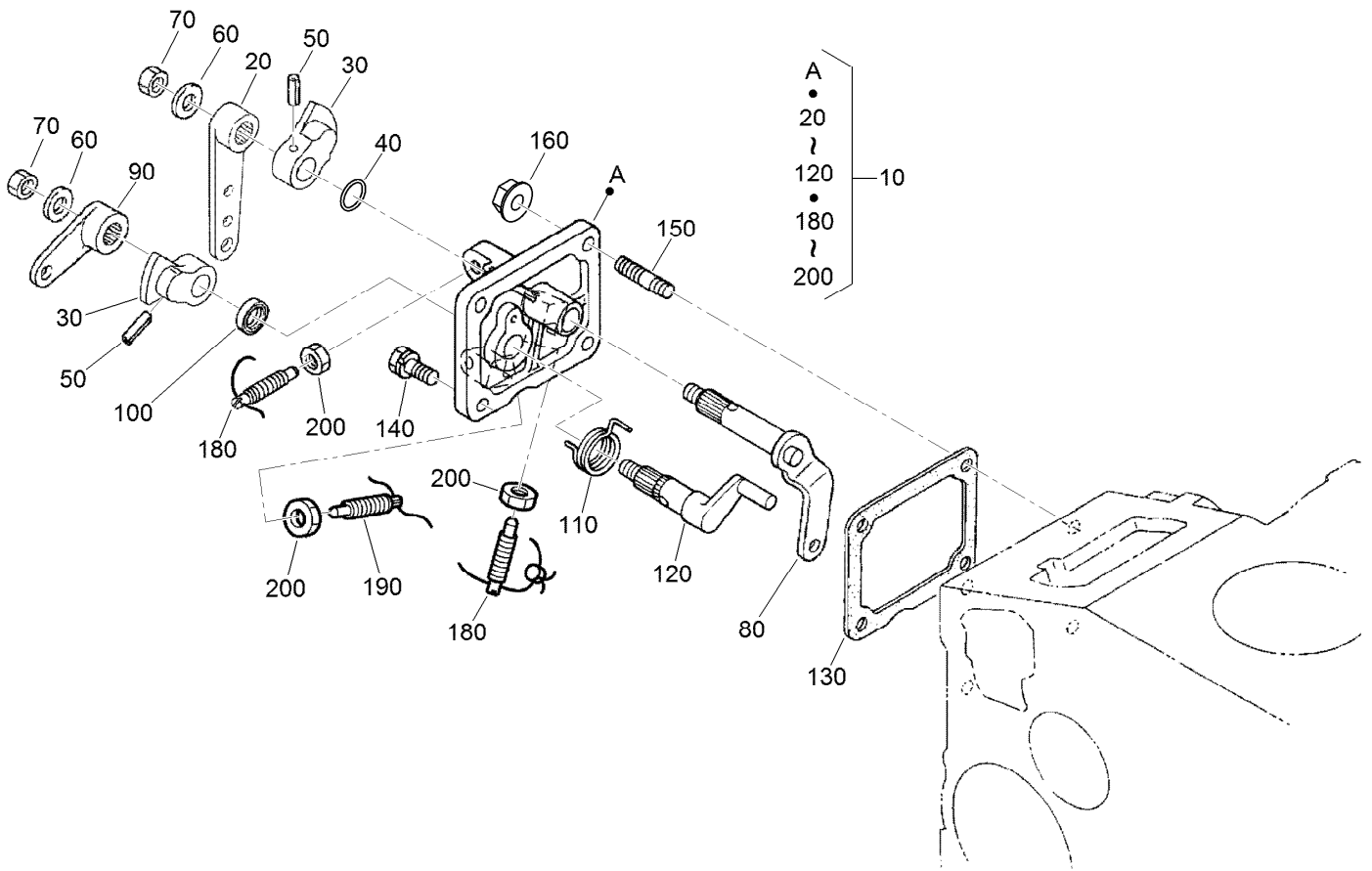
Injection Pump and Fuel Pump Assembly

Ref.	Part Number	Qty.	Description	Ref.	Part Number	Qty.	Description
10	98-9596	1	Joint-Eye	50	117-7564	3	Bolt-Hex Soc HD
20	105-3727	1	Injection Pump ASM	60	98-9438	3	Stud
30	105-3728	1	Shim-Pump, Injection (.20Mm)	70	98-9440	3	Nut-Cap
30	105-3729	1	Shim-Pump, Injection (.25Mm)	80	98-7699	3	Washer-Spring
40	105-3730	1	Shim-Pump, Injection (.30Mm)	90	98-9464	1	Bolt-Joint
40	115-3016	1	Shim-Pump, Injection (.350Mm)	100	98-9445	2	Gasket
45	115-3017	1	Shim-Pump, Injection (.175Mm)	110	98-9430	1	Screw
				120	98-9446	1	Gasket
				130	98-9677	1	Fuel Pump ASM
				140	117-7562	1	Gasket-Pump, Fuel
				150	100-2203	2	Nut-Flange



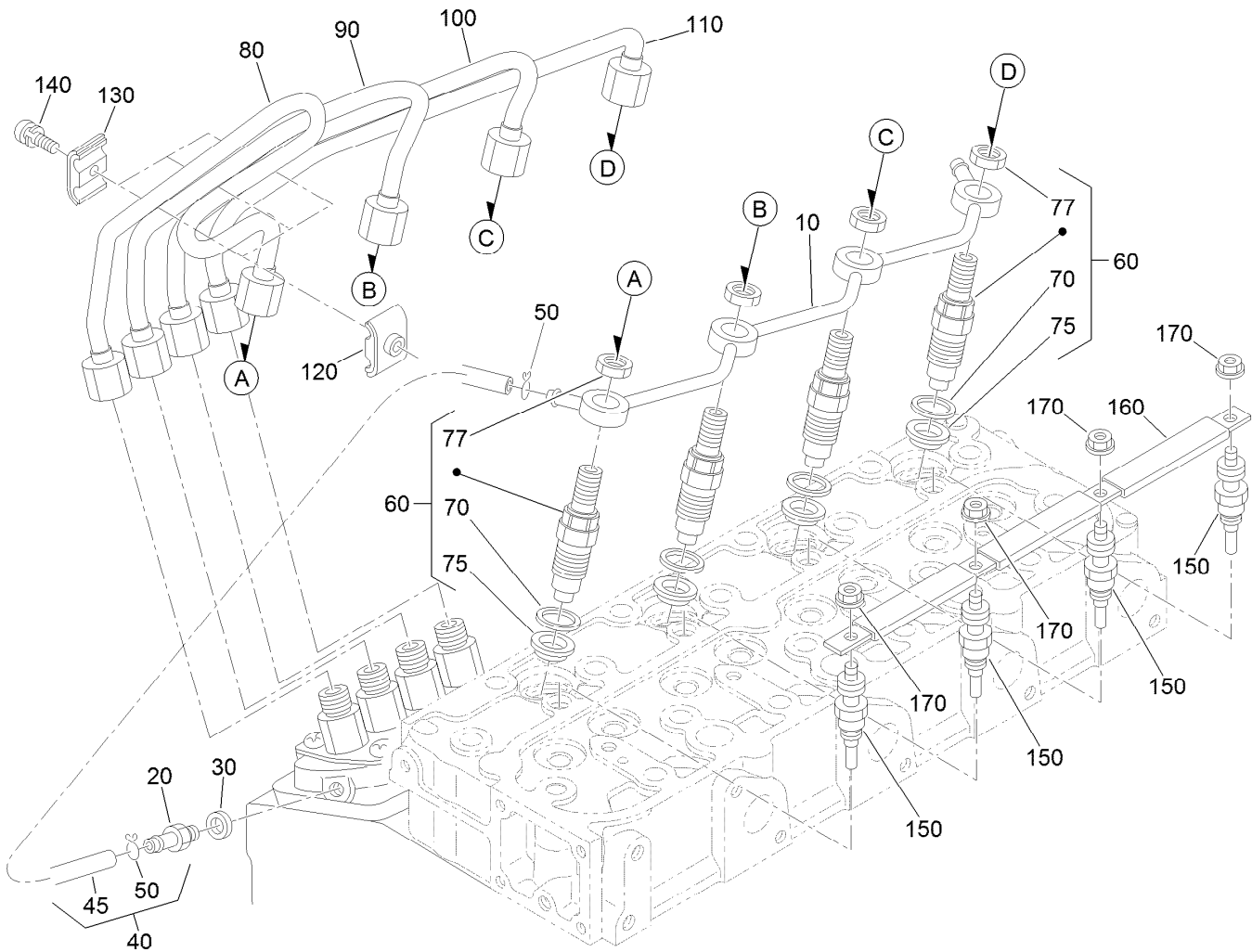
Governor Assembly

<i>Ref.</i>	<i>Part Number</i>	<i>Qty.</i>	<i>Description</i>
10	105-3741	1	Spring-Start
20	98-9681	1	Spring-Governor
30	117-7567	1	Fork Lever ASM
40	98-9692	2	Roller
50	107-9083	1	Lever-Thrust
60	107-9084	1	Lever-Fork
70	107-9085	1	Shaft-Lever, Fork
80	107-9086	1	Shaft-Lever, Fork
90	98-9570	1	Bearing-Miniaturize
100	115-4122	1	Cover-Shaft, Fork Lever
110	98-9682	1	Gasket
120	98-9350	2	Bolt
130	98-9567	1	Collar
140	98-9571	1	Bearing-Miniaturize



Speed Control Plate Assembly

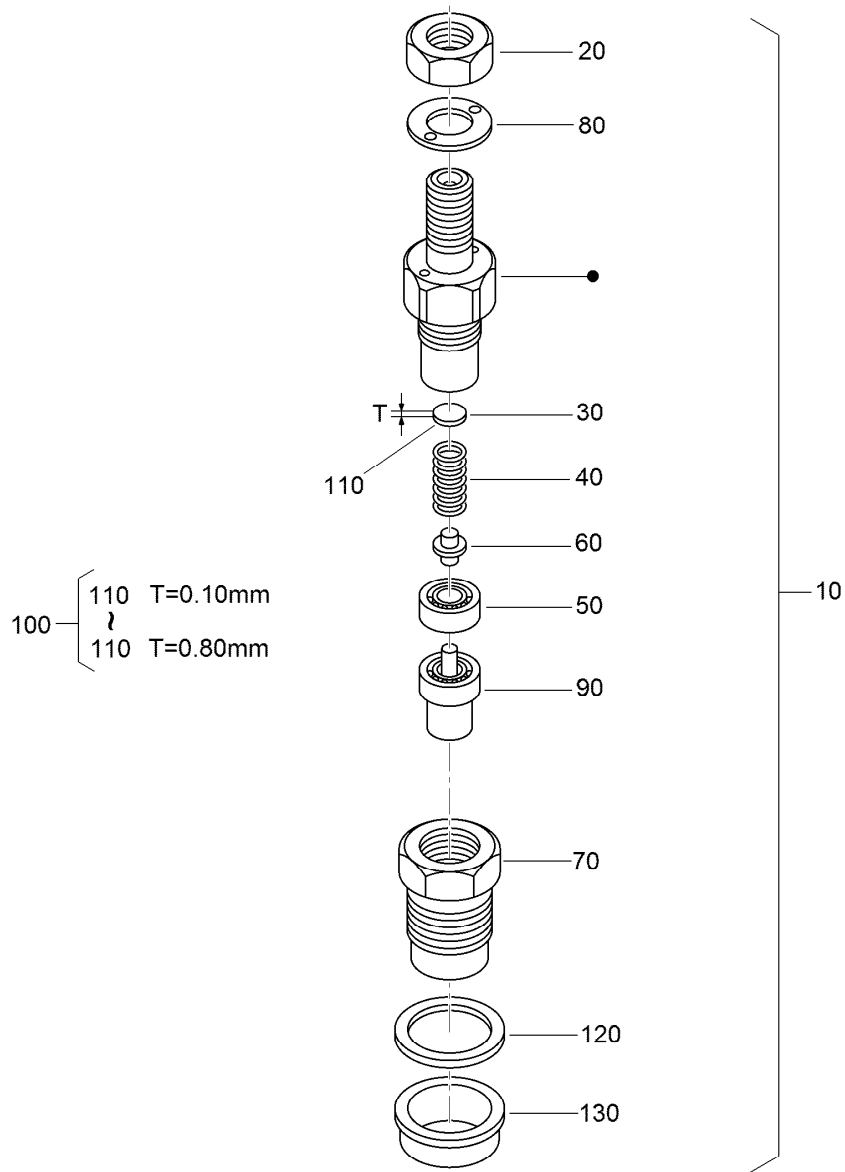
<i>Ref.</i>	<i>Part Number</i>	<i>Qty.</i>	<i>Description</i>	<i>Ref.</i>	<i>Part Number</i>	<i>Qty.</i>	<i>Description</i>
10	98-9661	1	Control Plate ASM	110	98-9472	1	Spring-Return
20	98-9662	1	Lever-Control, Speed	120	98-9664	1	Shaft-Lever, Stop
30	98-9572	2	Lever-Control, Speed	130	98-9637	1	Gasket
40	105-3788	1	O-Ring	140	98-7692	2	Bolt
50	98-7602	2	Pin-Spring	150	105-3710	2	Stud
60	98-9594	2	Washer-Plain	160	100-2203	2	Nut-Flange
70	98-9589	2	Nut	180	117-7565	2	Bolt-Adjusting
80	98-9658	1	Governor Lever ASM	190	117-7566	1	Bolt-Adjusting
90	98-9663	1	Lever-Stop, Engine	200	98-7572	3	Nut
100	98-7601	1	Seal-Oil				



Nozzle Holder and Glow Plug Assembly

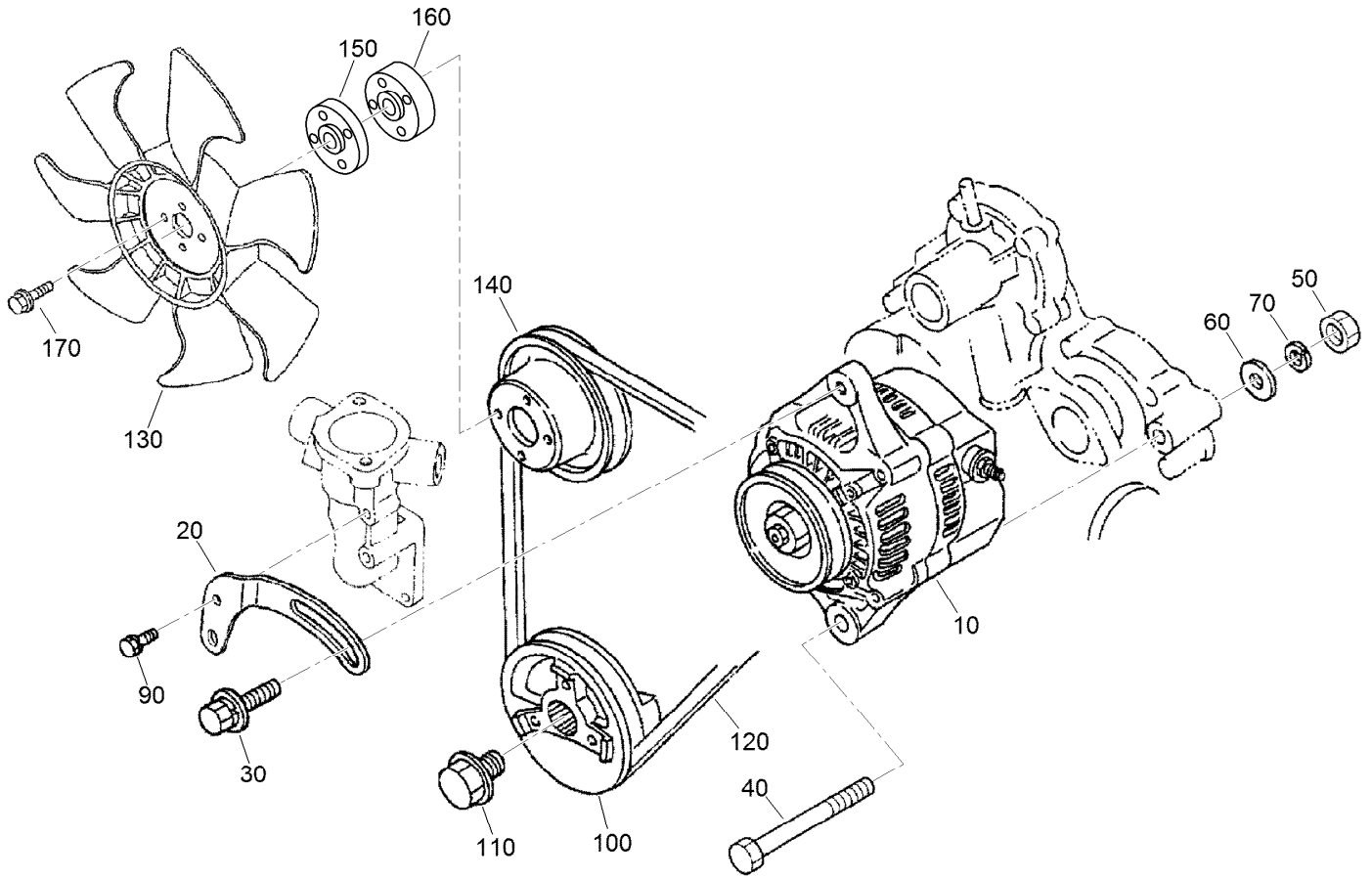
<i>Ref.</i>	<i>Part Number</i>	<i>Qty.</i>	<i>Description</i>
10	105-3737	1	Over Flow Pipe ASM
20	98-9431	1	Screw-Bleeder, Air
30	98-7654	1	Gasket
40	98-9420	1	Overflow Pipe ASM
45	112-0182	1	Pipe-Overflow
50	98-7671	2	Clip-Pipe
60	130-1376	1	Nozzle Holder Kit
70	98-7676	4	Gasket
75	98-7677	4	Seal-Heat
77	121-2411	4	Nut

<i>Ref.</i>	<i>Part Number</i>	<i>Qty.</i>	<i>Description</i>
80	98-9622	1	Pipe-Injection
90	98-9654	1	Pipe-Injection
100	98-9655	1	Pipe-Injection
110	105-3738	1	Pipe-Injection
120	98-7682	3	Clamp-Pipe
130	98-7683	3	Clamp-Pipe
140	98-7684	3	Screw (W/Washer)
150	98-9623	4	Plug-Glow
160	105-3739	1	Cord-Plug, Glow
170	99-8377	4	Nut-Flange



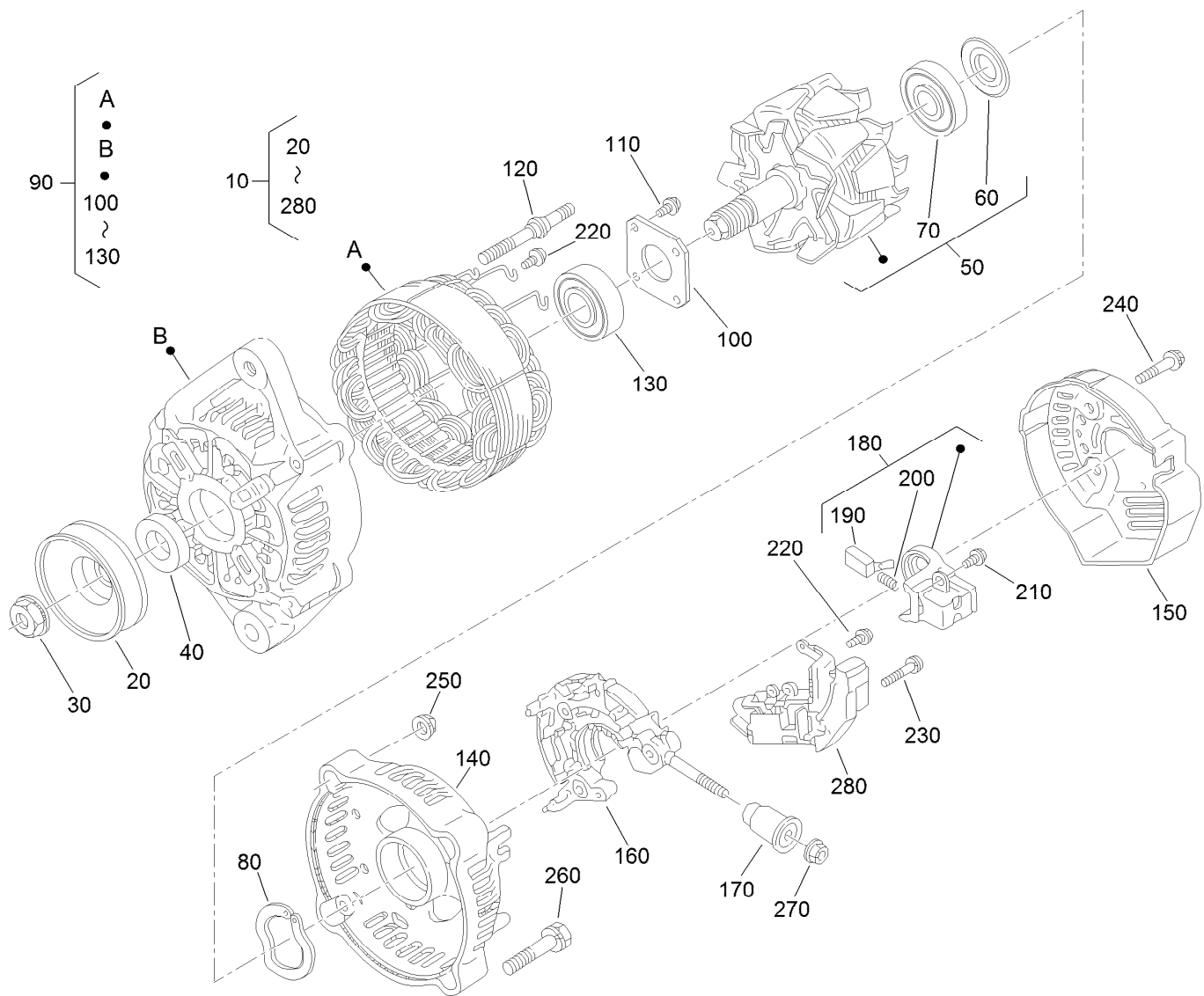
Nozzle Holder Assembly

Ref.	Part Number	Qty.	Description	Ref.	Part Number	Qty.	Description
10	108-2866	4	Nozzle Holder Kit	110	99-8311	4	Washer-Adjust (0.20Mm)
20	121-2411	4	Nut	110	99-8312	4	Washer-Adjust (0.30Mm)
30	99-8302	4	Washer-Adjusting	110	99-8313	4	Washer-Adjust (0.40Mm)
40	99-8303	4	Spring-Nozzle	110	99-8314	4	Washer-Adjust (0.50Mm)
50	99-8304	4	Spacer-Distance	110	99-8315	4	Washer-Adjust (0.52Mm)
60	99-8305	4	Rod-Push	110	99-8316	4	Washer-Adjust (0.54Mm)
70	99-8306	4	Nut-Nozzle	110	99-8317	4	Washer-Adjust (0.56Mm)
80	99-8307	4	Washer-Plain	110	99-8318	4	Washer-Adjust (0.58Mm)
90	107-7826	4	Piece-Nozzle	110	99-8319	4	Washer-Adjust (0.80Mm)
100	99-8309	4	Adjusting Washer ASM	120	98-7676	4	Gasket
110	99-8310	4	Washer-Adjust (0.10Mm)	130	98-7677	4	Seal-Heat



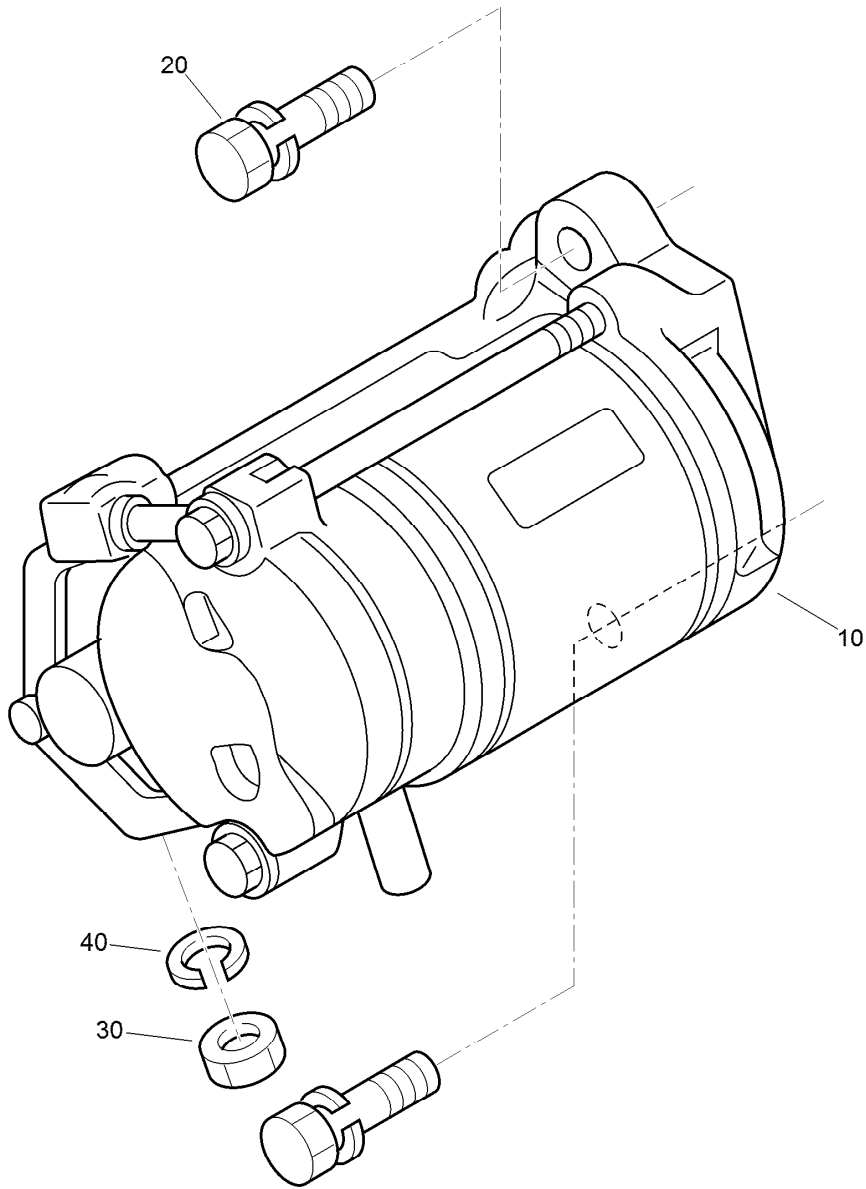
Alternator, Pulley and Fan Assembly

<i>Ref.</i>	<i>Part Number</i>	<i>Qty.</i>	<i>Description</i>	<i>Ref.</i>	<i>Part Number</i>	<i>Qty.</i>	<i>Description</i>
10	121-3811	1	Alternator ASM	100	105-3745	1	Pulley-Drive, Fan
20	112-7047	1	Stay-Dynamo	110	98-9585	1	Bolt
30	108-7088	1	Bolt	120	98-9676	1	V-Belt
40	98-9360	1	Bolt	130	131-3839	1	Fan
50	98-7737	1	Nut	140	110-0972	1	Pulley
60	98-9366	1	Washer-Plain	150	105-0000	1	Spacer-Fan
70	99-7527	1	Washer-Spring	160	109-2675	1	Spacer-Fan, 21Mm
90	98-7692	1	Bolt	170	131-3840	4	Bolt-Flange



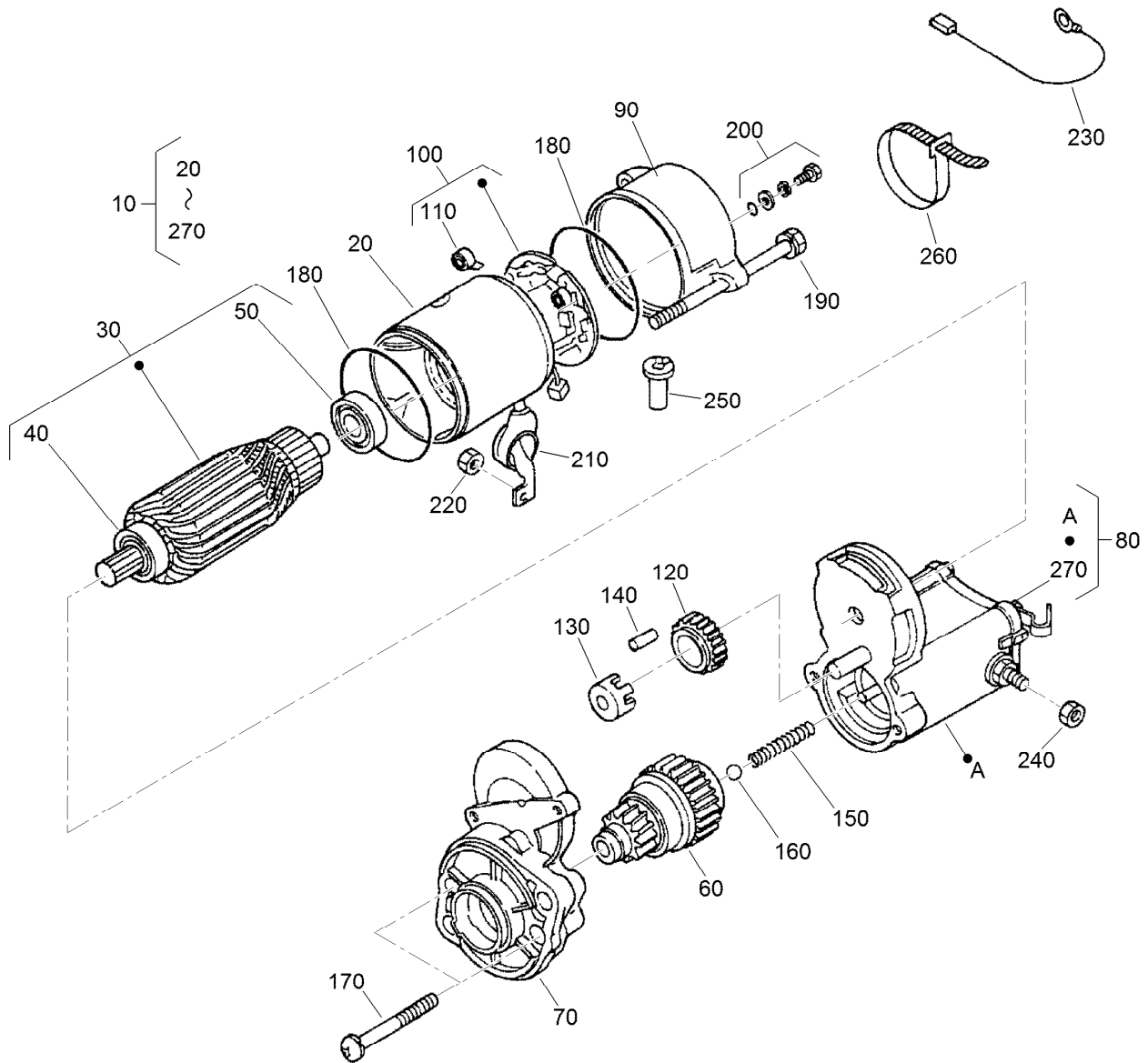
Alternator Components Assembly No. 121-3811

Ref.	Part Number	Qty.	Description	Ref.	Part Number	Qty.	Description
10	121-3811	1	Alternator ASM	150	121-3813	1	Cover-End
20	98-9453	1	Pulley-Dynamo	160	121-3805	1	Rectifier ASM
30	98-7708	1	Nut	170	117-0321	1	Insulation-Brush
40	98-7709	1	Collar	180	107-0141	1	Brush Holder ASM
50	107-0136	1	Rotor ASM	190	98-7724	2	Brush
60	98-7711	1	Cover-Bearing	200	98-7725	2	Spring-Brush
70	107-0138	1	Bearing-Ball	210	98-7726	2	Screw-Head, Round
80	98-7713	1	Washer-Thrust	220	98-7727	6	Screw-Head, Round
90	107-0139	1	Drive End Frame ASM	230	98-7728	1	Screw-Head, Round
100	98-7715	1	Plate-Retainer	240	98-7729	3	Bolt
110	98-7716	4	Screw-Head, Round	250	98-7730	2	Nut
120	98-7717	2	Bolt-Through	260	98-7731	2	Bolt
130	131-6560	1	*obs* Bearing-Ball	270	98-7732	1	Nut
140	121-3812	1	Frame-End	280	121-3809	1	Regulator ASM



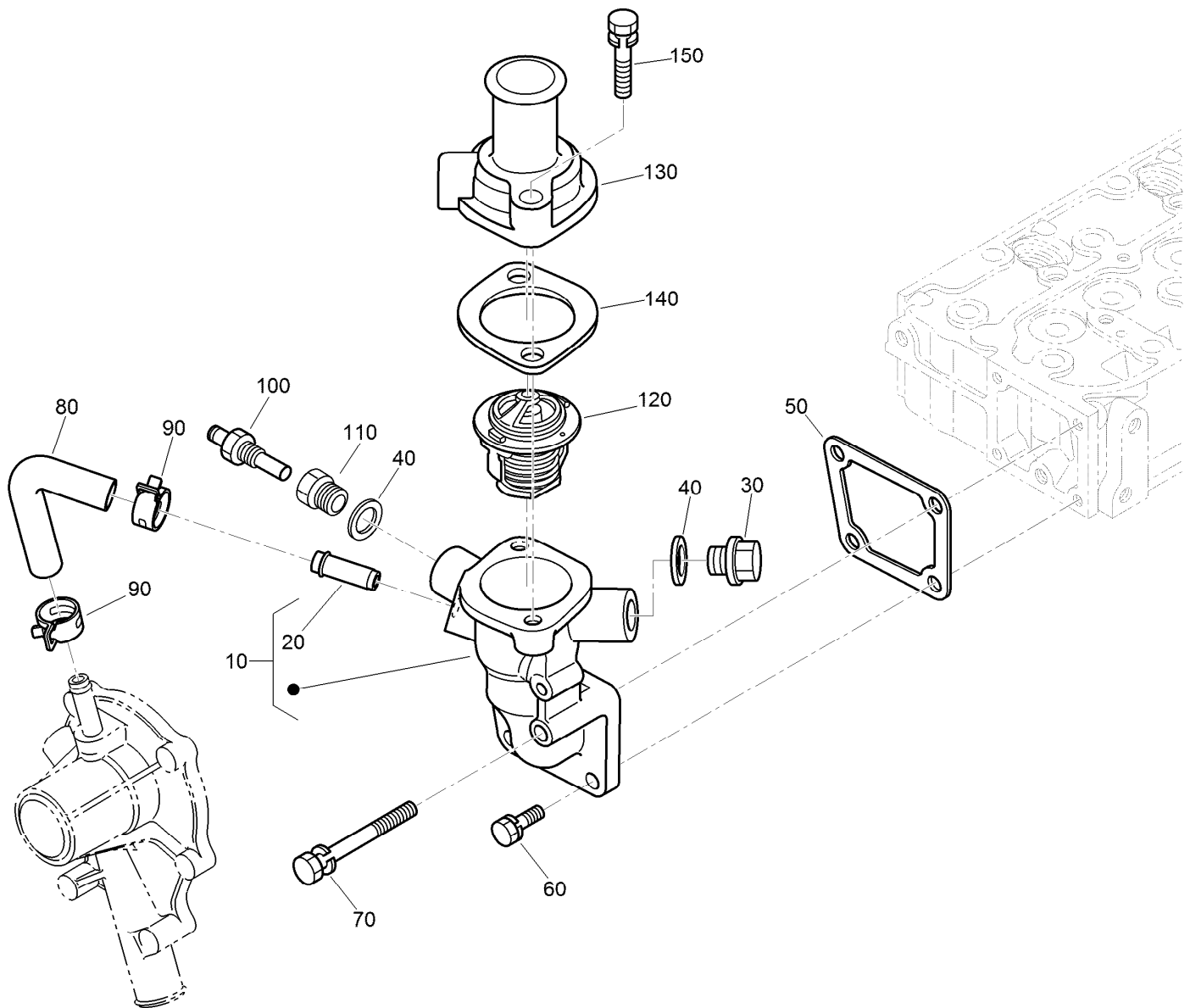
Starter Installation Assembly

<i>Ref.</i>	<i>Part Number</i>	<i>Qty.</i>	<i>Description</i>
10	98-9705	1	Starter ASM
20	98-7697	2	Bolt
30	98-7739	1	Nut
40	131-9579	1	Washer-Spring, Lock



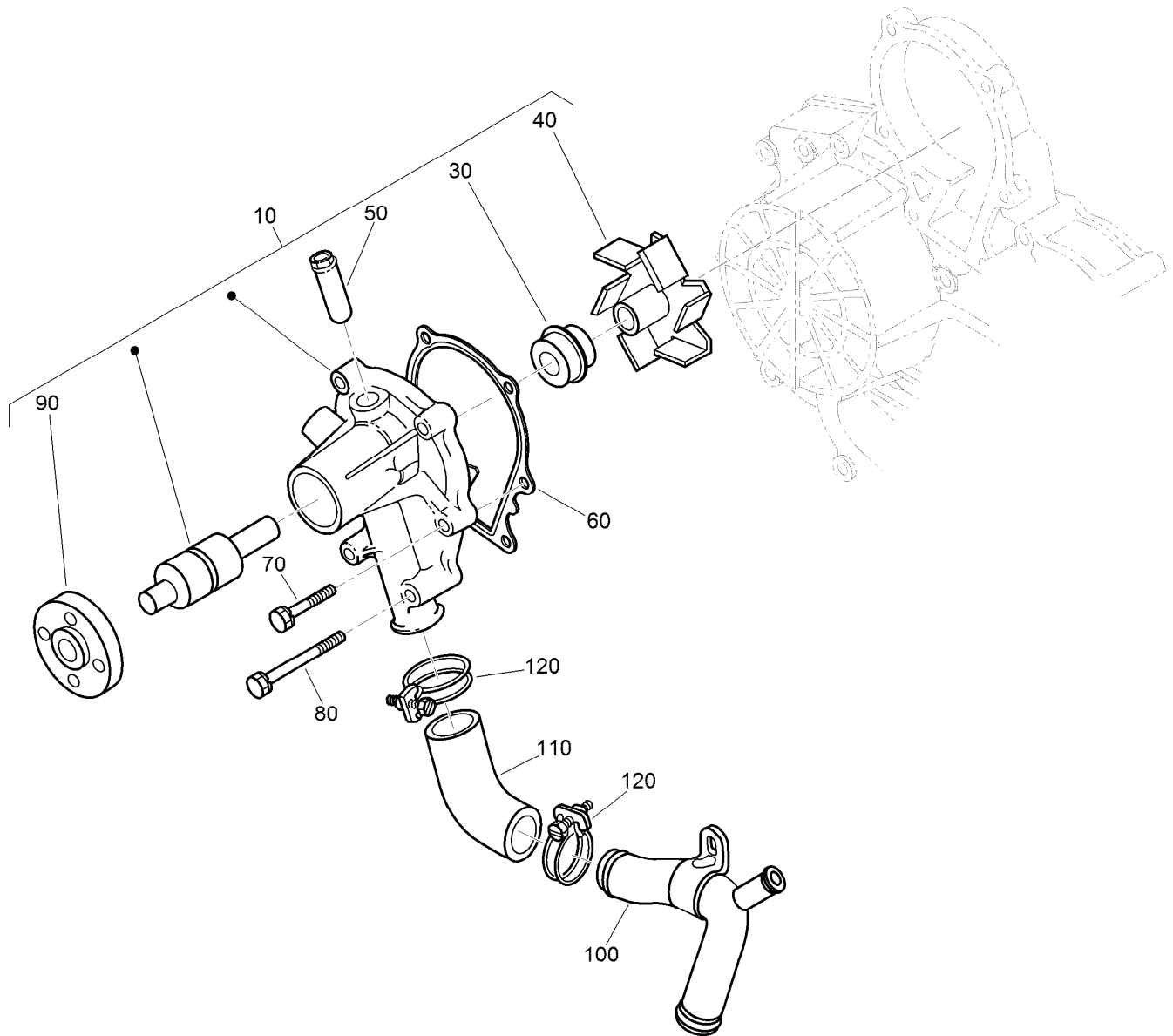
Starter Component Part Assembly No. 111-7496

Ref.	Part Number	Qty.	Description	Ref.	Part Number	Qty.	Description
10	98-9705	1	Starter ASM	150	98-7754	1	Spring
20	104-8608	1	Yoke ASM	160	98-7755	1	Ball
30	98-7742	1	Armature ASM	170	98-7756	2	Bolt
40	98-7744	1	Bearing	180	98-7757	2	O-Ring
50	98-7743	1	Bearing	190	100-9240	2	Bolt
60	99-8373	1	Clutch-Running, Over	200	98-7758	2	Bolt ASM
70	99-8374	1	Frame-End, Drive	210	99-8375	1	Cover
80	105-3746	1	Magnetic Switch ASM	220	99-8371	1	Nut-Hex
90	98-7748	1	Frame-End	230	98-9711	1	Cord-Solenoid, Stop
100	98-7749	1	Brush Holder ASM	240	99-8376	1	Nut-Hex
110	98-7750	4	Spring-Brush	250	98-7759	1	Pipe-Drain
120	98-7751	1	Gear	260	98-9712	1	Band-Cover
130	98-7752	1	Retainer	270	105-2886	1	Cover ASM
140	98-7753	5	Roller				



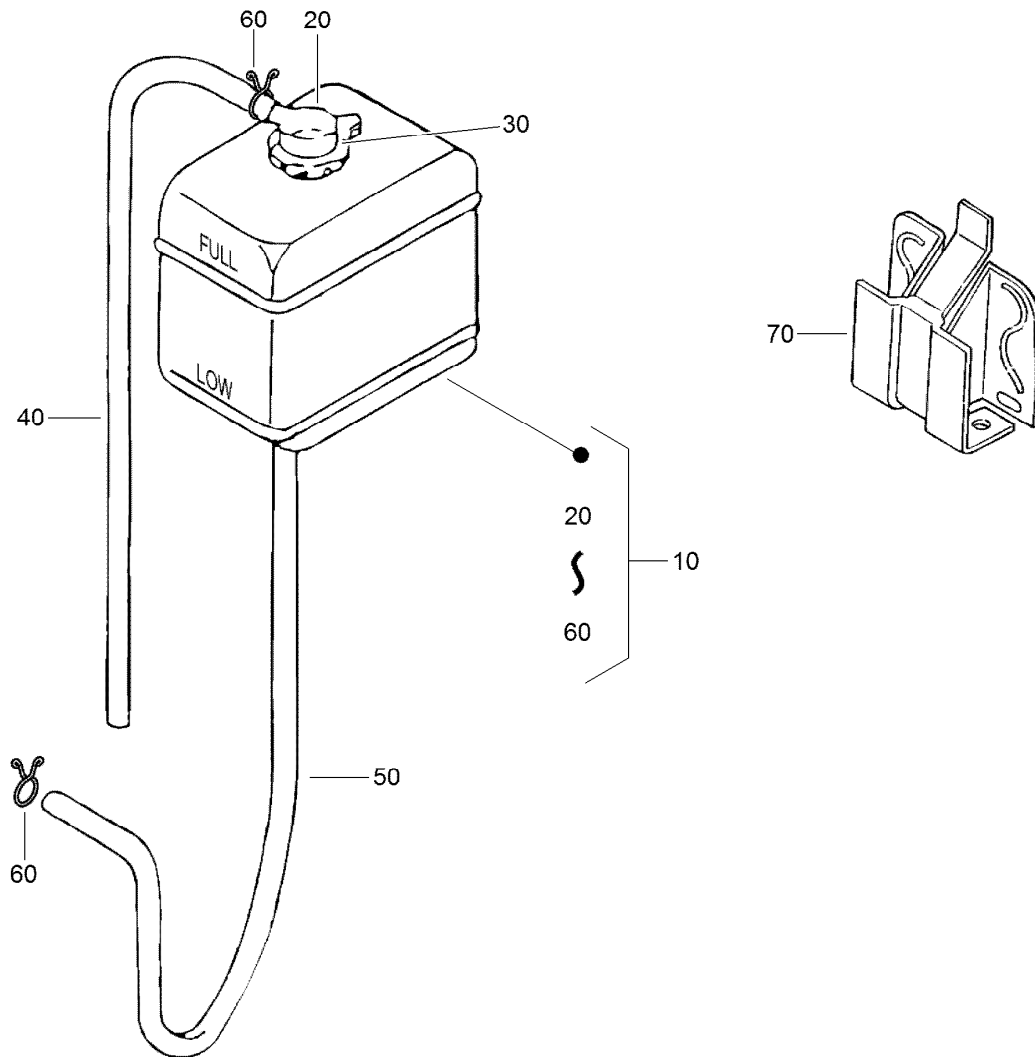
Water Flange and Thermostat Assembly

Ref.	Part Number	Qty.	Description
10	98-9713	1	Water Flange ASM
20	98-9580	1	Pipe-Return, Water
30	105-3747	1	Plug
40	99-3583	2	Gasket
50	98-9638	1	Gasket-Flange, Water
60	98-7692	3	Bolt
70	98-9356	1	Bolt
80	98-9578	1	Pipe-Return, Water
90	125-9078	2	Clamp-Hose
100	100-1983	1	Thermo-Switch
110	130-1377	1	Adapter-Thermoswitch
120	98-7778	1	Thermostat ASM
130	98-9471	1	Cover-Thermostat
140	105-3748	1	Gasket-Thermostat
150	98-7777	2	Bolt



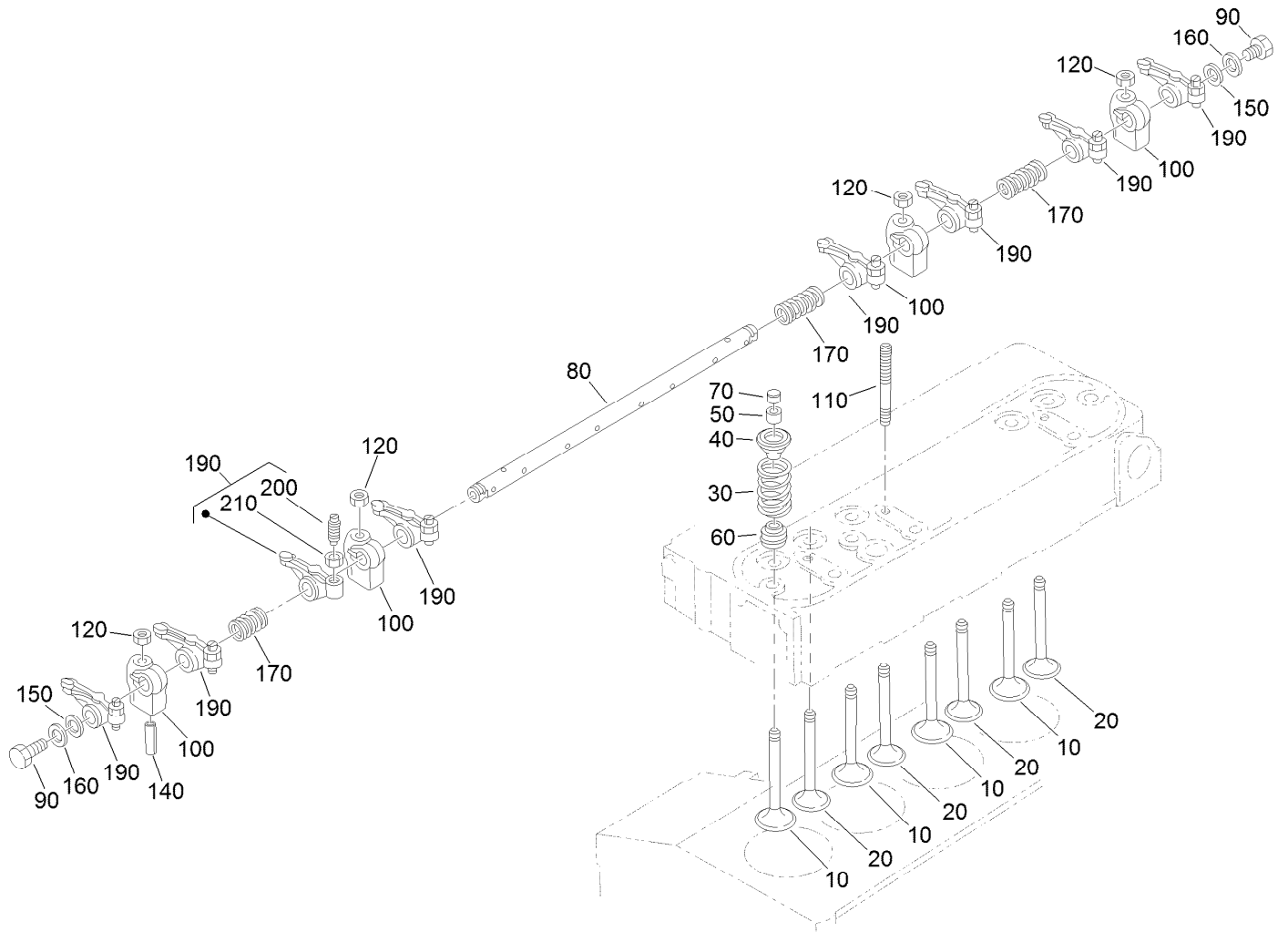
Water Pump and Water Pipe Assembly

<i>Ref.</i>	<i>Part Number</i>	<i>Qty.</i>	<i>Description</i>
10	107-9089	1	Water Pump ASM
30	105-3750	1	Mechanical Seal ASM
40	112-7017	1	Impeller-Pump, Water
50	100-1932	1	Pipe-Return, Water
60	99-3454	1	Gasket-Pump, Water
70	98-9353	4	Bolt
80	107-9090	2	Bolt
90	99-3516	1	Flange-Pump, Water
100	131-3849	1	Pipe-Water
110	107-9091	1	Pipe-Water
120	127-0439	2	Clamp-Hose



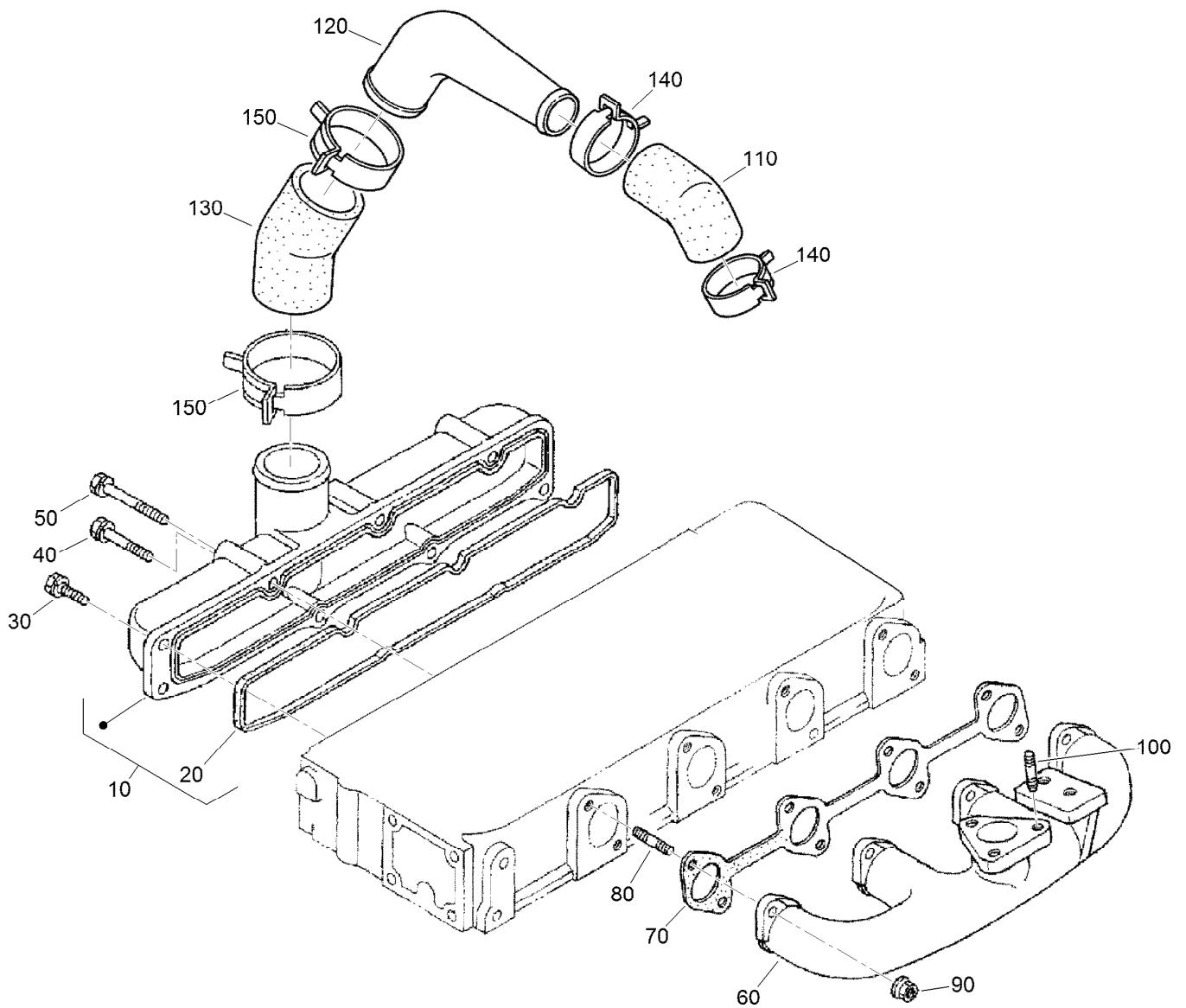
Reserve Tank Assembly

Ref.	Part Number	Qty.	Description
10	108-0638	1	Bottle-Overflow
20	130-1192	1	Cap
30	105-3755	1	Gasket
40	130-1201	1	Pipe-Overflow
50	130-1568	1	Pipe-Overflow, Water
60	130-1200	2	Clip-Pipe
70	130-1202	1	Stay-Tank, Reserve



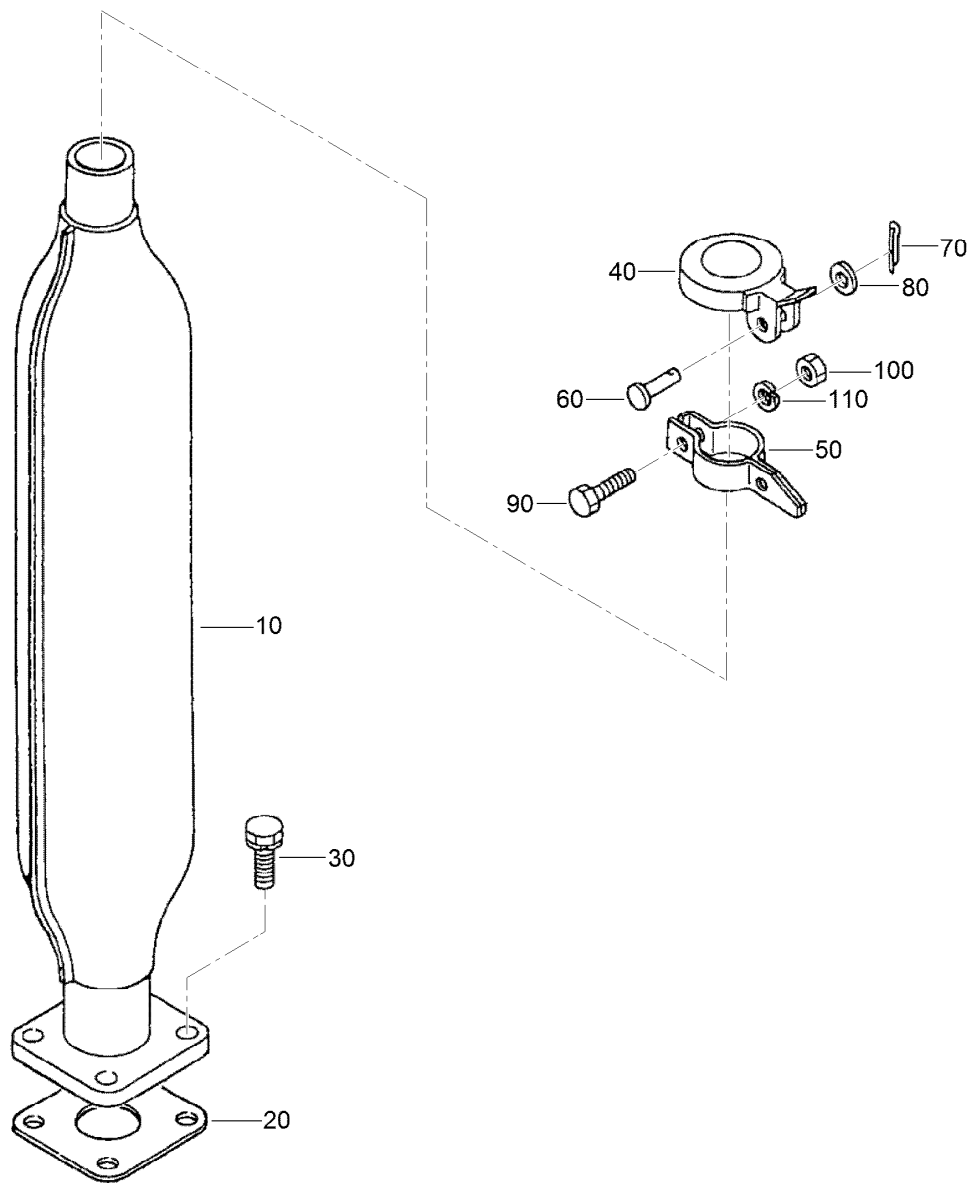
Valve and Rocker Arm Assembly

<i>Ref.</i>	<i>Part Number</i>	<i>Qty.</i>	<i>Description</i>	<i>Ref.</i>	<i>Part Number</i>	<i>Qty.</i>	<i>Description</i>
10	112-7018	4	Valve-Inlet	110	98-9506	4	Stud
20	112-7019	4	Valve-Exhaust	120	131-6563	4	Nut-Flange
30	98-9626	8	Spring-Valve	140	105-3758	1	Pin-Spring
40	107-9092	8	Retainer-Spring	150	98-9507	2	Washer-Shaft, Rocker Arm
50	117-7572	8	Collet-Spring, Valve	160	110-3832	2	Washer-Plain
60	99-8385	8	Seal-Stem, Valve	170	98-9504	3	Spring-Arm, Rocker
70	98-9497	8	Cap-Valve	190	112-7020	8	Rocker Arm ASM
80	127-0420	1	Shaft-Arm, Rocker	200	98-9502	8	Screw-Adjusting
90	99-8363	2	Bolt-Flange	210	98-9503	8	Nut
100	98-9505	4	Bracket-Arm, Rocker				



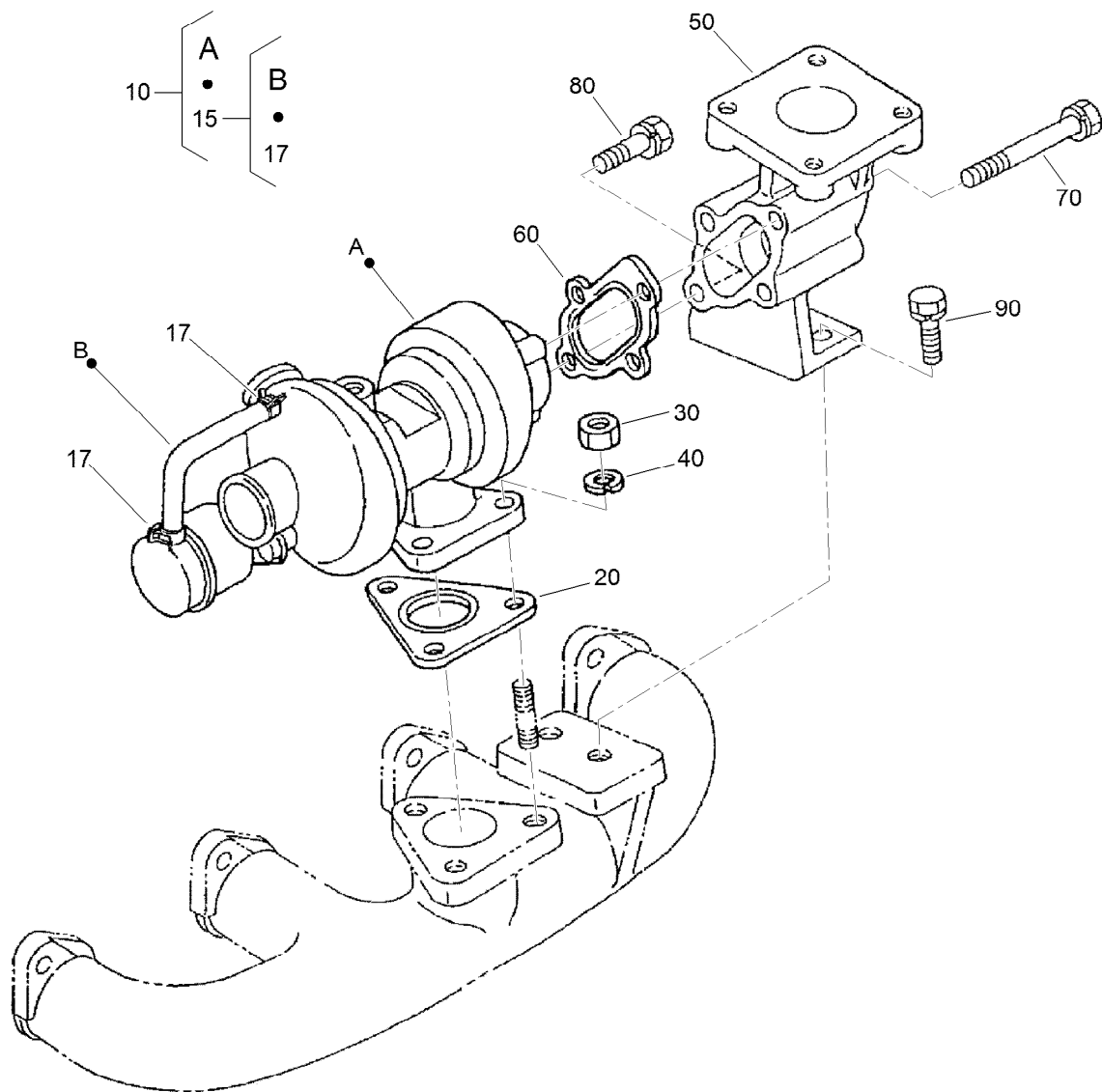
Inlet and Exhaust Manifold Assembly

Ref.	Part Number	Qty.	Description
10	105-3759	1	Inlet Manifold ASM
20	105-3760	1	Gasket-Manifold, Intake
30	127-0403	3	Bolt-Flange
40	98-9353	2	Bolt
50	125-9063	3	Bolt-Sems
60	105-3764	1	Manifold-Exhaust
70	105-3765	1	Gasket-Manifold, Exhaust
80	98-9588	8	Stud
90	98-9665	8	Nut
100	130-1157	3	Bolt-Stud
110	105-3761	1	Pipe-Inlet
120	105-3762	1	Pipe-Inlet
130	105-3763	1	Pipe-Inlet
140	99-8324	2	Band-Pipe
150	99-8322	2	Band-Pipe



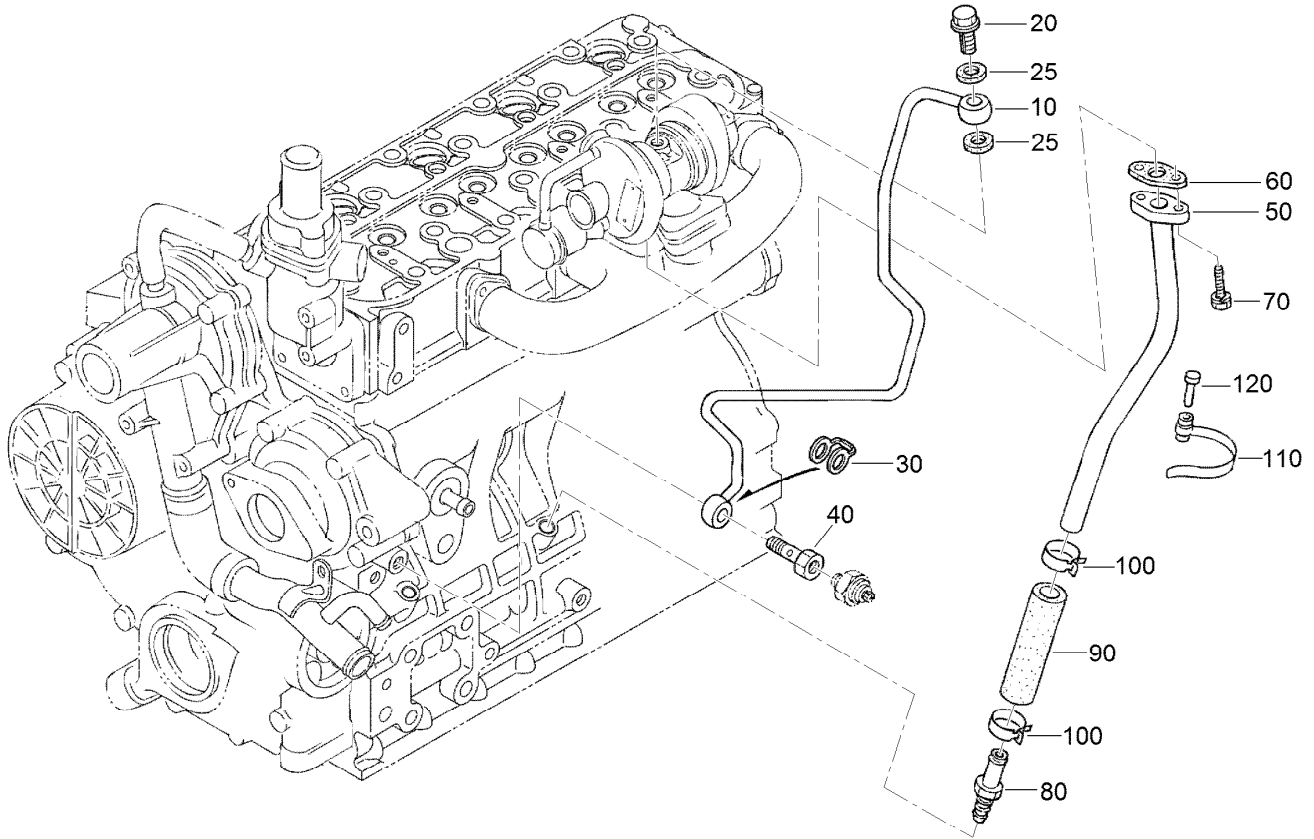
Muffler Assembly

<i>Ref.</i>	<i>Part Number</i>	<i>Qty.</i>	<i>Description</i>
10	131-3842	1	Muffler
20	99-8343	1	Gasket-Muffler
30	98-7610	4	Bolt
40	131-3843	1	Cap-Muffler
50	131-3844	1	Band-Cap, Muffler
60	131-3845	1	Pin
70	131-3846	1	Pin-Split
80	98-7648	1	Washer-Plain
90	131-3847	1	Bolt-Hex
100	98-7572	1	Nut
110	98-7699	1	Washer-Spring



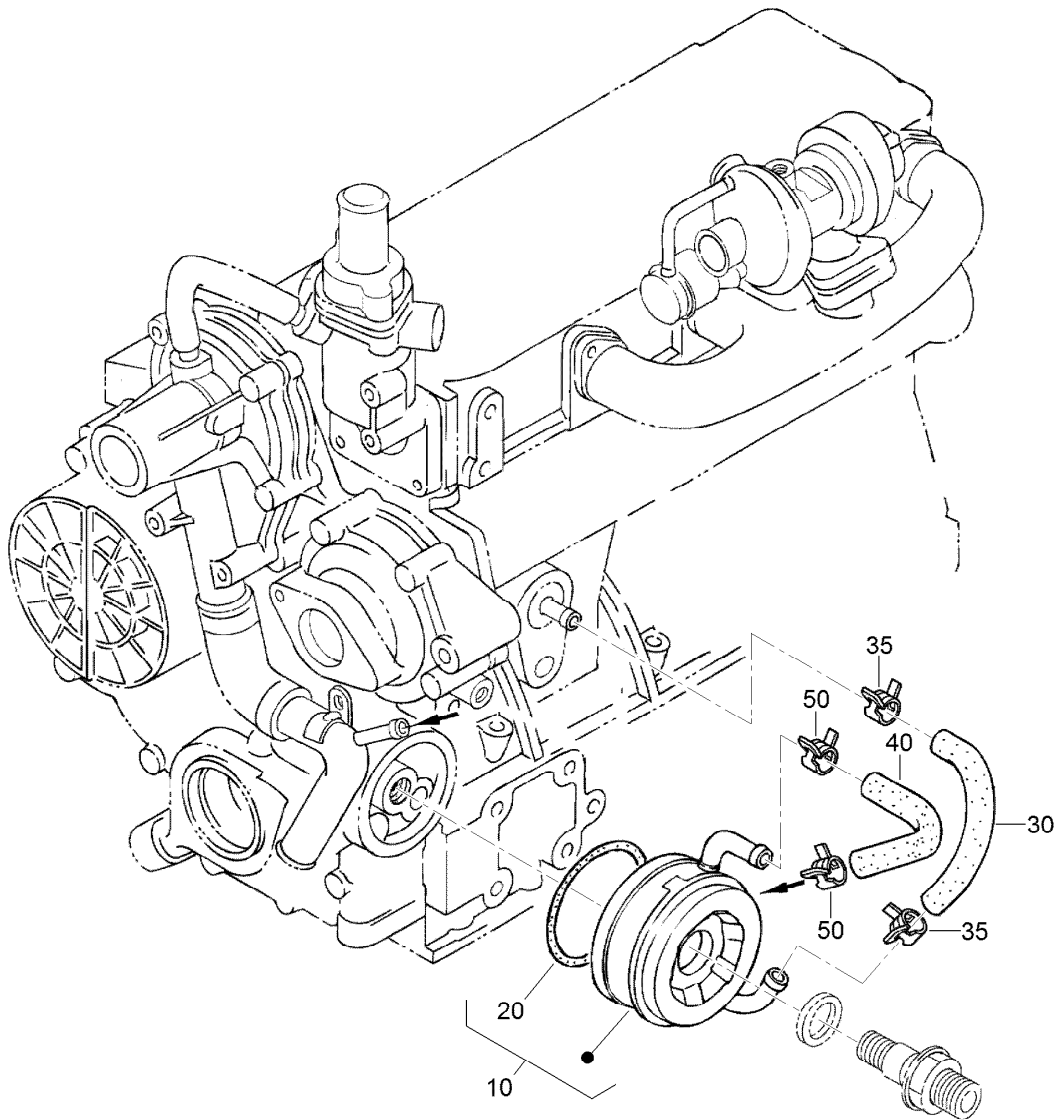
Turbo Charger Assembly

<i>Ref.</i>	<i>Part Number</i>	<i>Qty.</i>	<i>Description</i>
10	131-3848	1	Turbo Charger ASM
15	108-1413	1	Hose ASM
17	108-1414	2	Clamp-Hose
20	105-3767	1	Gasket
30	98-7534	3	Nut
40	3253-4	3	Washer-Lock
50	99-8335	1	Flange-Muffler
60	105-3768	1	Gasket
70	115-4100	3	Bolt
80	105-2895	1	Bolt
90	98-7610	2	Bolt



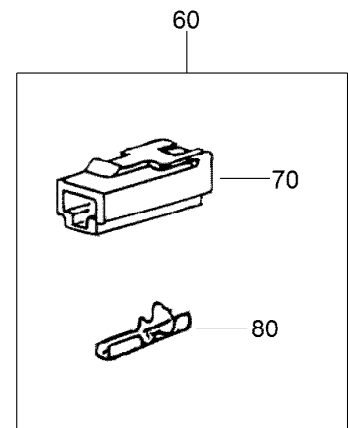
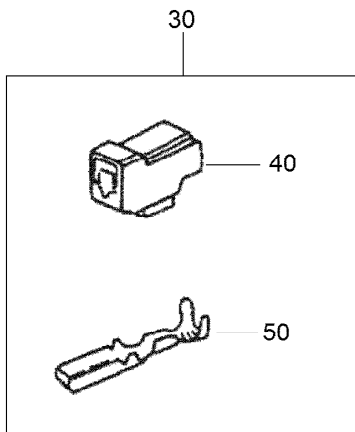
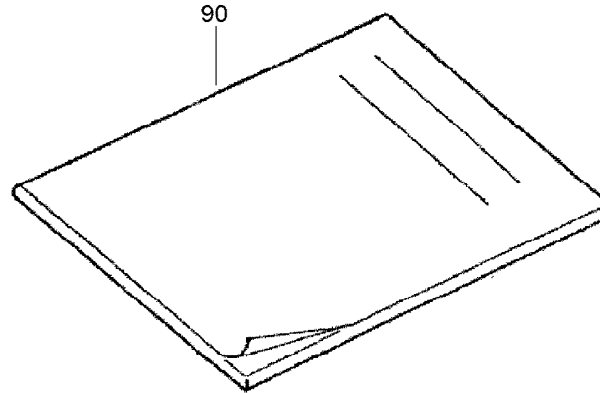
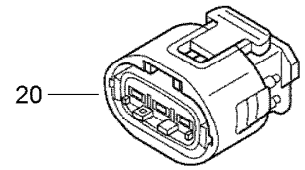
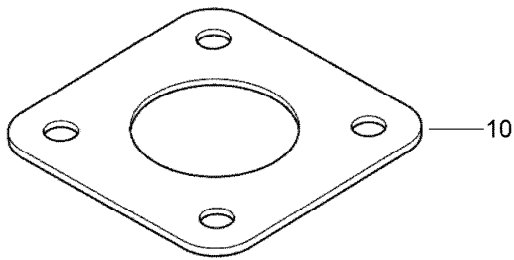
Oil Pipe (Turbo Charger) Assembly

Ref.	Part Number	Qty.	Description
10	108-4424	1	Oil Pipe ASM
20	115-4126	1	Bolt-Joint, Eye
25	130-1423	1	Gasket
30	99-8346	2	Gasket
40	98-9417	1	Bolt-Joint, Eye
50	117-7589	1	Oil Pipe ASM
60	108-4422	1	Gasket
70	98-9351	2	Bolt
80	105-3771	1	Oil Pipe ASM
90	98-9721	1	Pipe-Oil
100	98-9714	2	Clamp-Hose
110	98-9601	1	Clamp-Pipe
120	98-9591	1	Pin-Band



Oil Cooler Assembly

Ref.	Part Number	Qty.	Description
10	104-5158	1	Oil Cooler ASM
20	112-7030	1	O-Ring
30	98-9724	1	Pipe-Cooler, Oil
35	98-9579	2	Band-Pipe
40	98-9578	1	Pipe-Return, Water
50	131-9581	2	*obs* Clamp-Hose



Miscellaneous Engine Parts

<i>Ref.</i>	<i>Part Number</i>	<i>Qty.</i>	<i>Description</i>
10	99-8343	2	Gasket-Muffler
20	130-1291	1	Connector ASM
30	115-8600	1	Coupler ASM
40	115-8601	1	Connector
50	115-8602	2	Terminal
60	130-1328	1	Terminal
70	130-1175	1	Connector
80	130-1176	1	Terminal
90	115-4104	1	Operator Manual

Attachments and Accessories

For 30659 LT-F3000 Heavy-Duty Triple Turf Flail Mower

Product Name	Model/Part
Cutter Unit	02830
Deluxe Replacement PVC Air Seat	02865
Deluxe Replacement Fabric Air Seat	02866
Cab Mauser KS-534 (Including Heater)	02890
Air Conditioning Kit	02891
Air Conditioning Fit Kit (V1505T & LT-F3000)	02893
Kevlar Tyre Kit	02914
Road Light Kit including Brake Lights.....	02918
Flashing Beacon Kit.....	02920
Blower Carrier Kit.....	02921
TÜV Kit - Speed Decal 20kph	02980
TÜV Kit - German Vehicle Serial Plate	02983
TUV Deck Cover Kit.....	02991
Warning Triangle	111-4250
Fuse-In Line.....	111-5101
Slope Indicator Kit.....	111-9225
MVP Kit, LT-F3000 Traction Unit.....	111-9682
Blade Sharpening Kit	111-9684

Notes:

Notes:



Count on it.