



Count on it.

Parts Catalog

**ProLine H800
Rotary Mower**

Model No. 31050—Serial No. 319000009 and Up



Ordering Replacement Parts

To order replacement parts, please supply the part number, the quantity, and the description of each part desired.

Understanding Reference Numbers

Each identified part in an illustration has a reference number. The reference number for a part also appears in the parts list, along with other information about the part.

This catalog uses two special reference number formats, one to indicate parts in a service assembly and another to indicate the quantity of a given part in an illustration.

Service Assembly Reference Numbers

Parts in service assemblies have reference numbers in the form a:b. The a represents the reference number of the entire service assembly and the b represents a sequential number unique to each part within the service assembly.

For example, a wheel assembly might be identified by reference number 6, the tire by 6:1, the valve by 6:2, and the wheel by 6:3. When you order the assembly identified by reference number 6, you receive all parts identified by reference numbers 6:1, 6:2, and 6:3. However, you may also order any part individually. Reference numbers of this type appear in illustration and in parts lists.

Reference Numbers Indicating Quantity

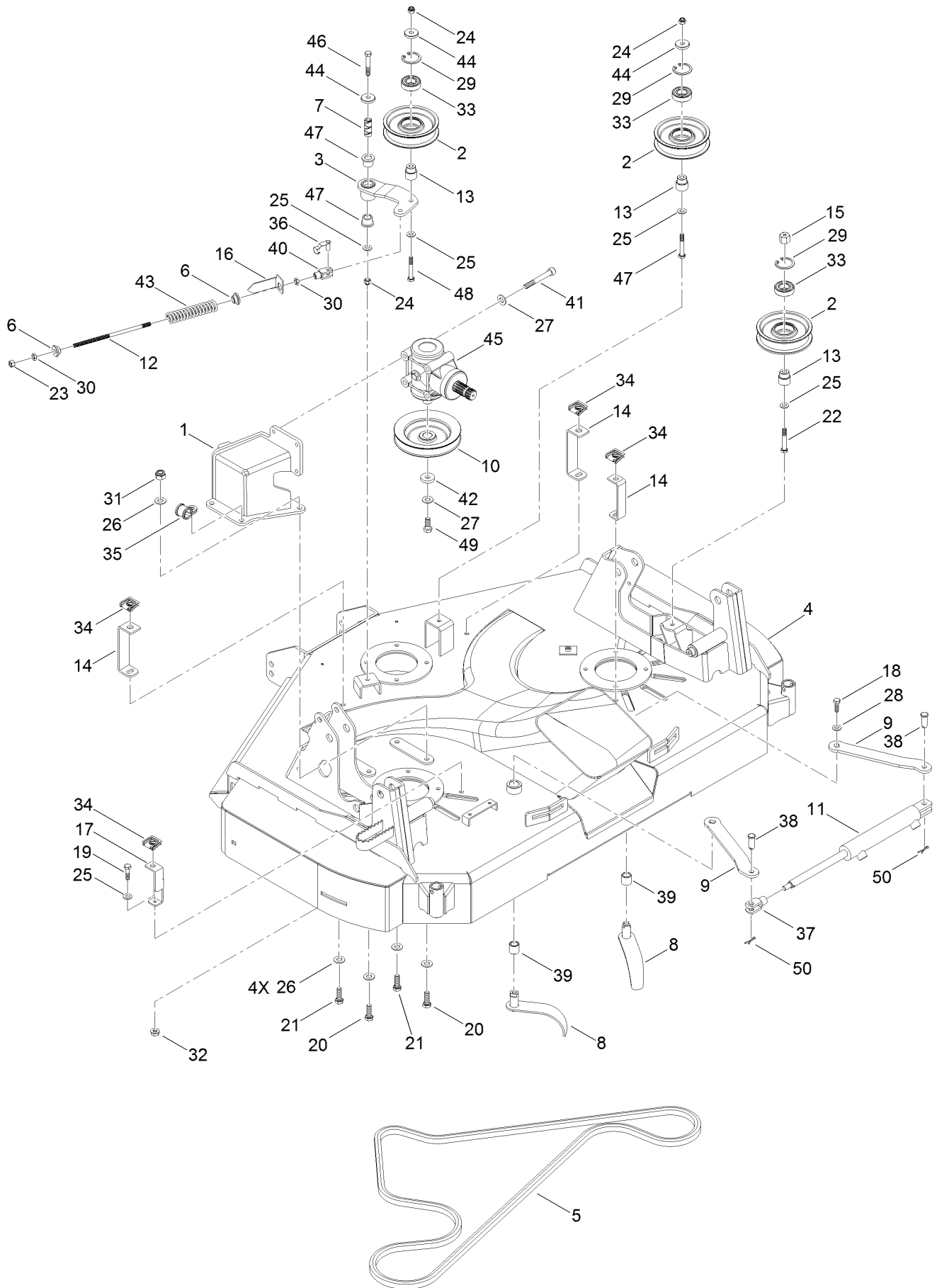
In an illustration, if a reference number indicates more than one part, the reference number has the form nX y. The n represents the quantity of the part, the X is the multiplication symbol, and the y represents the reference number.

For example, in an illustration, the reference number 2X 37 means that two of the parts identified by reference number 37 are indicated.

Contents

132 cm Cutting Deck Belt and Idlers Assembly	4
Mower Deck Hydraulic Assembly	6
132 cm Cutting Deck Blade and Pulley Assembly	8
Basket Lift Frame Assembly	10
Basket Assembly	12
Brakes Assembly	14
Cooling Assembly	16
Electric Equipment Assembly	18
Body Assembly	20
Frame Assembly	22
Flat Frame Assembly	24
Grass Conveyor Hood Assembly	26
Gearbox Assembly No. 134-0623	28
Lighting Assembly	30
Lift Arms Assembly	32
Lubrication Service Assembly	34
Oil Filter System Assembly	36
Engine, Pump and Friction Assembly	38
Engine, Fuel and Suction Assembly	40
Operator Platform Assembly	42
Oil System Motors Assembly	44
Road Basket Assembly	46
Rear Axle Assembly	48
Transmission, PTO and Drive Shaft Assembly	50
Fuel and Oil Tank Assembly	52
Cylinder Block Assembly	54
Gear Housing Assembly	56
Flywheel Housing and Oil Sump Assembly	58
Cylinder Head and Cover Assembly	60
Exhaust Manifold Assembly	62
Camshaft and Driving Gear Assembly	64
Crankshaft and Piston Assembly	66
Lubrication and Oil System Assembly	68
Cooling Water System Assembly	70
Fuel Injection Pump Assembly	72
Governor Assembly	74
Fuel Injection Valve Assembly	76
Fuel Filter Assembly	78
Starter Motor Assembly	80
Generator Assembly	82
Gasket Set	84
Attachments and Accessories	86

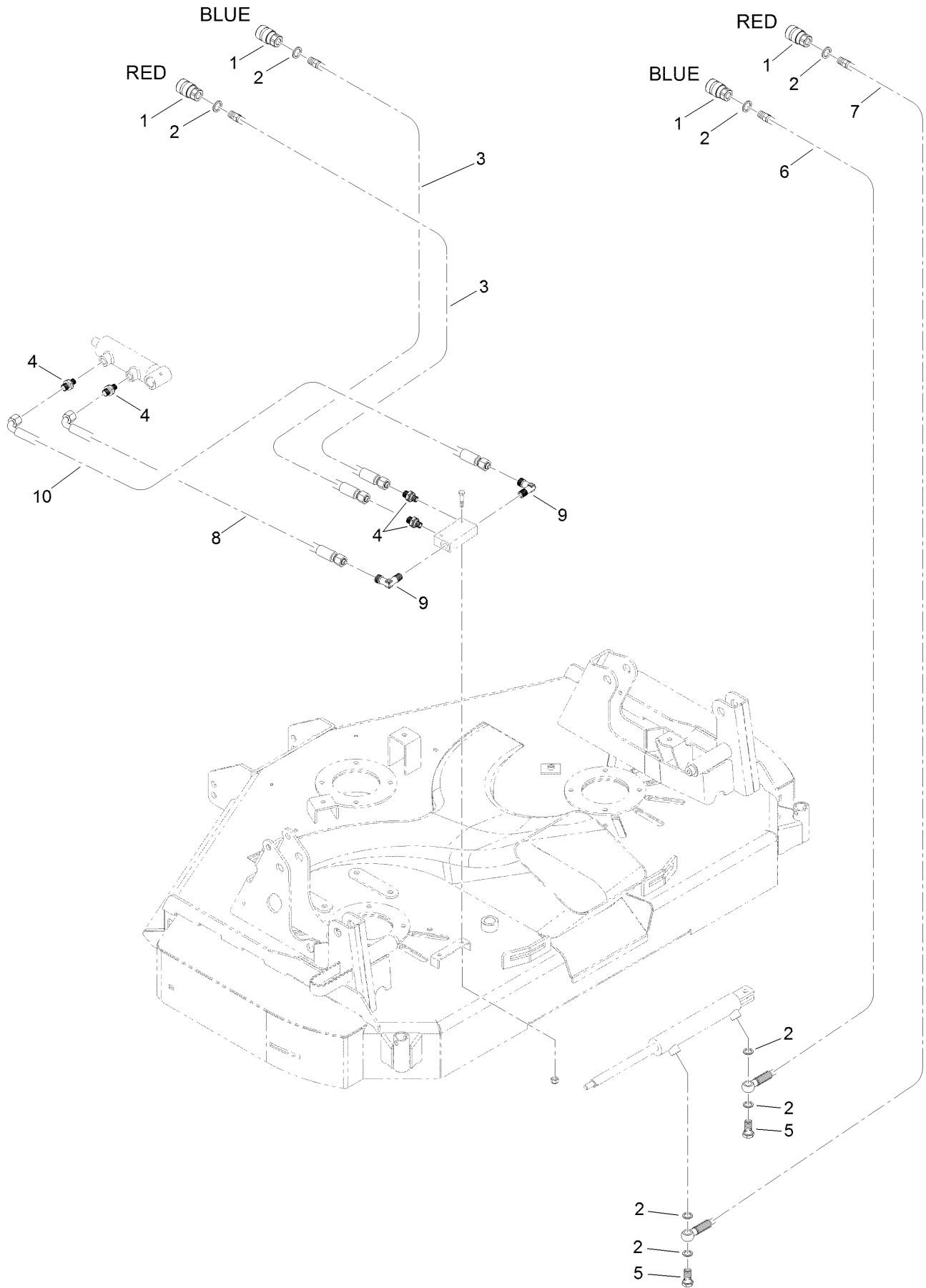
132 cm Cutting Deck Belt and Idlers Assembly



132 cm Cutting Deck Belt and Idlers Assembly (continued)

<i>Ref.</i>	<i>Part Number</i>	<i>Qty.</i>	<i>Description</i>	<i>Ref.</i>	<i>Part Number</i>	<i>Qty.</i>	<i>Description</i>
1	134-0626	1	Rod	26	134-1046	5	Washer
2	134-0632	3	Pulley-Position, Neutral	27	134-1051	2	Washer
3	134-0655	1	Tightener-Belt, Cutter Deck	28	134-1054	1	Washer
4	134-0661	1	Fairing-Deck, Cutter	29	134-1058	3	Ring-Retaining, Int
5	134-0571	1	Belt-Deck, Cutter	30	134-1078	2	Nut
6	134-0712	2	Bushing	31	134-1081	1	Nut
7	134-0730	1	Spacer	32	134-1082	1	Nut
8	134-0808	2	Scraper	33	134-1108	3	Bearing
9	134-0815	2	Lever	34	134-1193	4	Plate-Small
10	134-0817	1	Pulley	35	134-1198	1	Clamp
11	134-0827	1	Piston-Brake	36	134-1239	1	Fork
12	134-0835	1	Support-Gearbox	37	134-1241	1	Fork
13	134-0879	1	Bushing	38	134-1242	2	Pin
14	134-0883	3	Bracket	39	134-1265	2	Bushing-Bronze
15	134-0884	3	Spacer	40	134-1271	1	Fork
16	134-0892	1	Spring-Belt Tension Indicator	41	134-1316	1	Screw
17	134-0965	1	Bracket	42	134-1337	1	Washer
18	134-1011	1	Screw	43	134-1350	1	Spring
19	134-1014	1	Screw	44	134-1355	3	Washer
20	134-1019	2	Screw	45	134-0623	1	Back Gear ASM
21	134-1023	2	Screw	46	134-2953	1	Screw
22	134-1029	1	Screw	47	134-2954	2	Bushing
23	134-1034	1	Nut	48	134-2955	2	Screw
24	134-1038	3	Nut	49	134-2956	1	Screw
25	134-1045	5	Washer	50	134-2957	2	Pin-Split

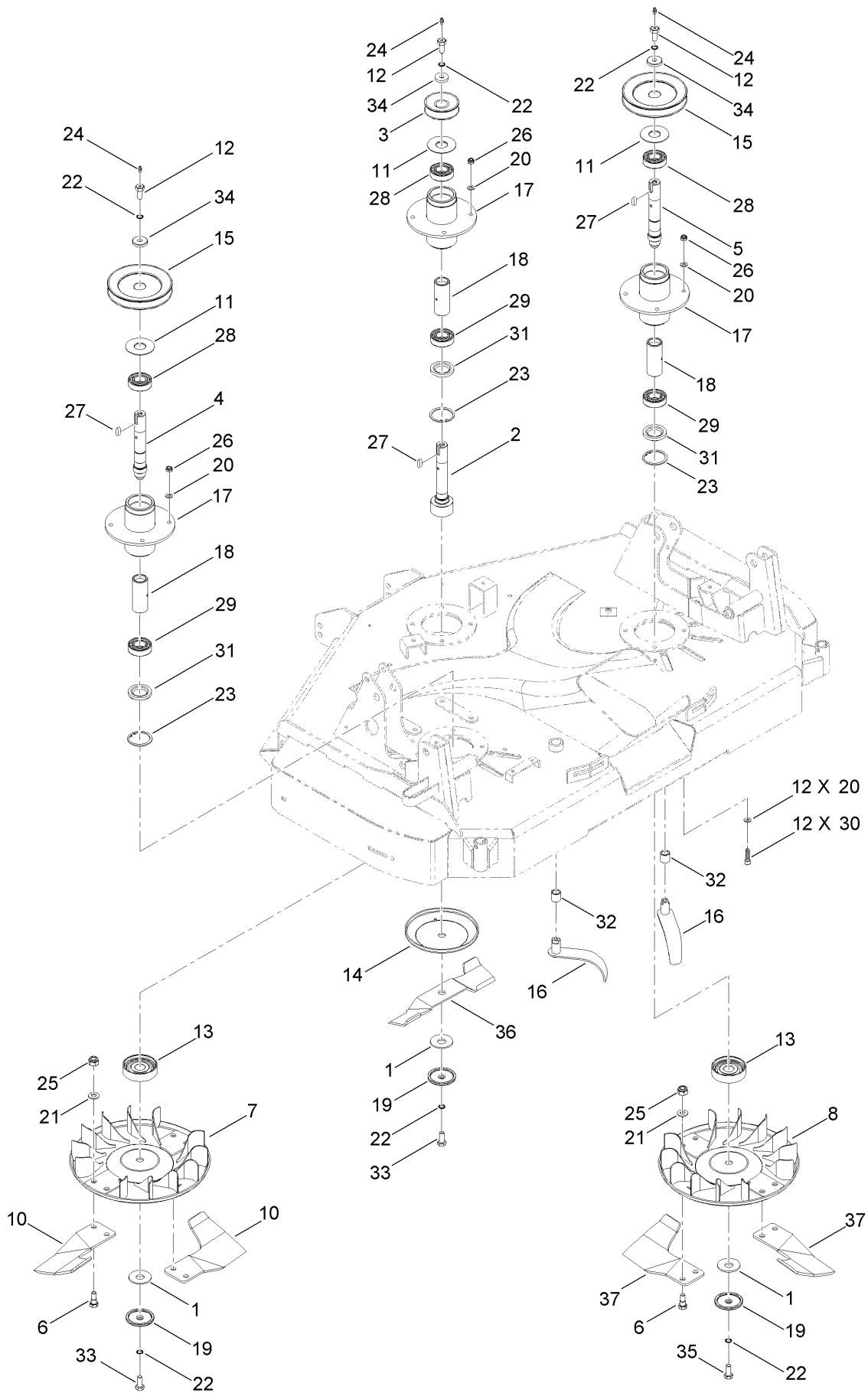
Mower Deck Hydraulic Assembly



Mower Deck Hydraulic Assembly (continued)

<i>Ref.</i>	<i>Part Number</i>	<i>Qty.</i>	<i>Description</i>	<i>Ref.</i>	<i>Part Number</i>	<i>Qty.</i>	<i>Description</i>
1	134-1206	4	Coupler-Quick, Female	6	134-3119	1	Hose-Hydraulic
2	134-1255	8	Washer	7	134-3120	1	Hose-Hydraulic
3	134-3118	2	Hose-Hydraulic	8	134-3121	1	Hose-Hydraulic
4	134-1270	4	Fitting-Nipple	9	134-3122	2	Fitting-Hydraulic
5	134-1102	2	Screw	10	134-3127	1	Hose-Hydraulic

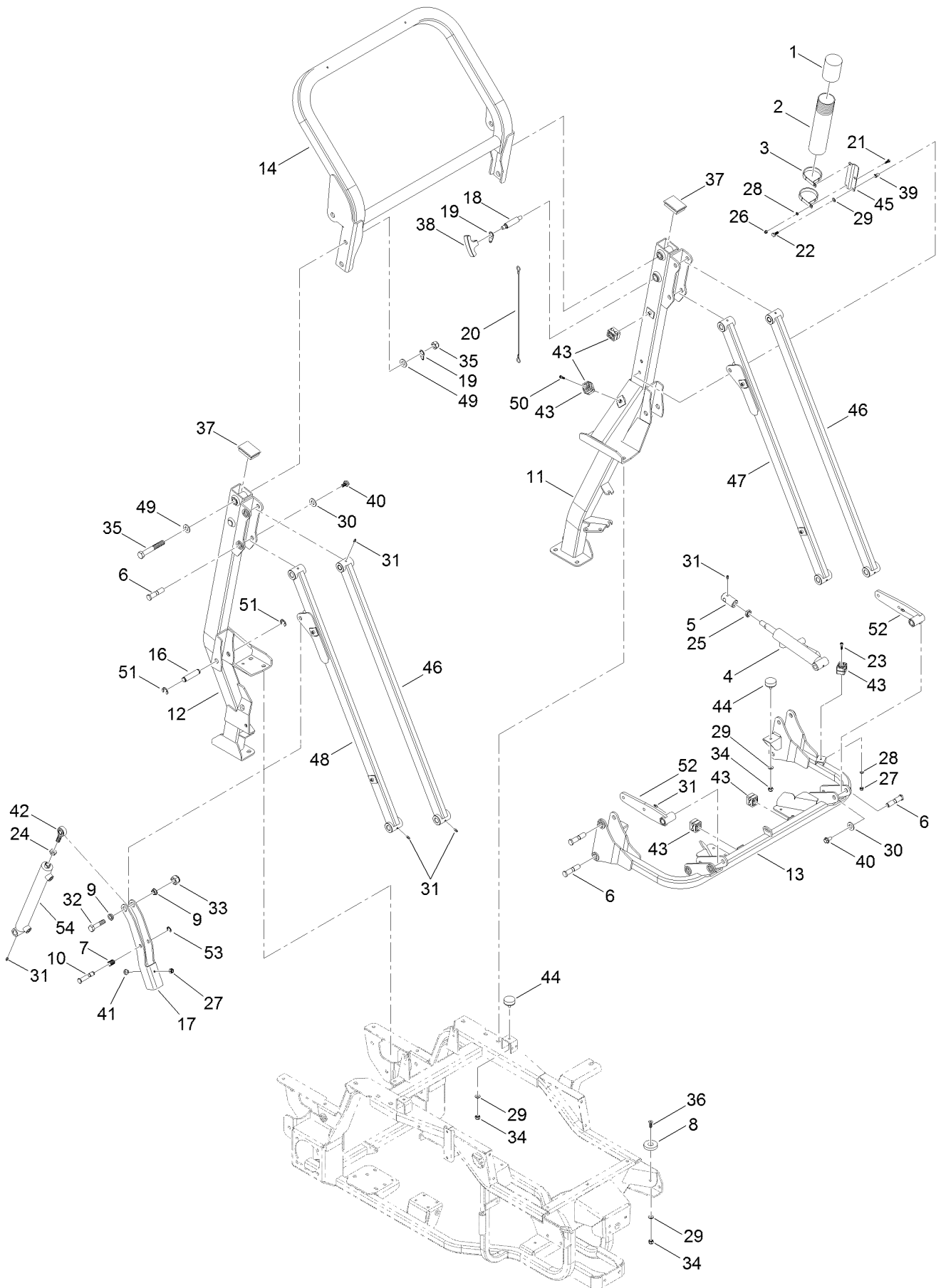
132 cm Cutting Deck Blade and Pulley Assembly



132 cm Cutting Deck Blade and Pulley Assembly (continued)

<i>Ref.</i>	<i>Part Number</i>	<i>Qty.</i>	<i>Description</i>	<i>Ref.</i>	<i>Part Number</i>	<i>Qty.</i>	<i>Description</i>
1	134-0579	3	Spring-Belleville	20	134-1045	15	Washer
2	134-0630	1	Shaft-Blade Hub, Central	21	134-1046	2	Washer
3	134-0631	1	Pulley	22	134-1051	6	Washer
4	134-0636	1	Shaft-Hub, LH Blade	23	134-1057	3	Ring-Retaining, Int
5	134-0637	1	Shaft-Hub, RH Blade	24	134-1065	3	Fitting-Grease
6	134-0643	2	Screw	25	134-1079	2	Nut
7	134-0652	1	Disc-Blade, LH	26	134-1092	3	Nut
8	134-0653	1	Disc-Blade, RH	27	134-1101	3	Key-Shaft
10	134-0665	2	Blade-LH	28	134-1106	3	Bearing
11	134-0732	3	Cover	29	134-1109	2	Bearing
12	134-0733	3	Screw	30	134-1115	12	Screw
13	134-0734	1	Seal-Oil	31	134-1159	3	Seal-Oil
14	134-0778	1	Disc-Blade, Central	32	134-1265	2	Bushing-Bronze
15	134-0805	2	Pulley	33	134-1309	2	Screw
16	134-0808	2	Scraper	34	134-1337	3	Washer
17	134-0833	3	Hub-Blade Holder	35	134-1347	1	Screw
18	134-0834	3	Spacer	36	134-0663	1	Blade-Central
19	134-0897	3	Cover	37	134-0664	2	Blade-RH

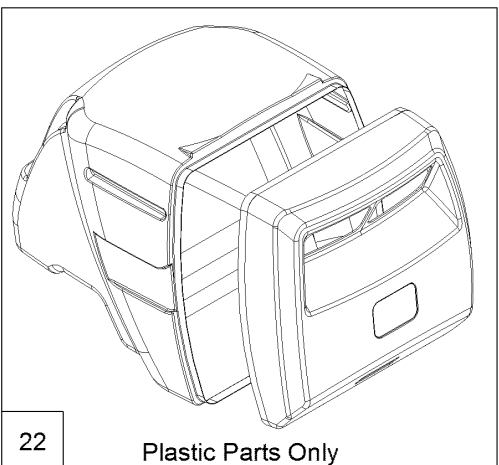
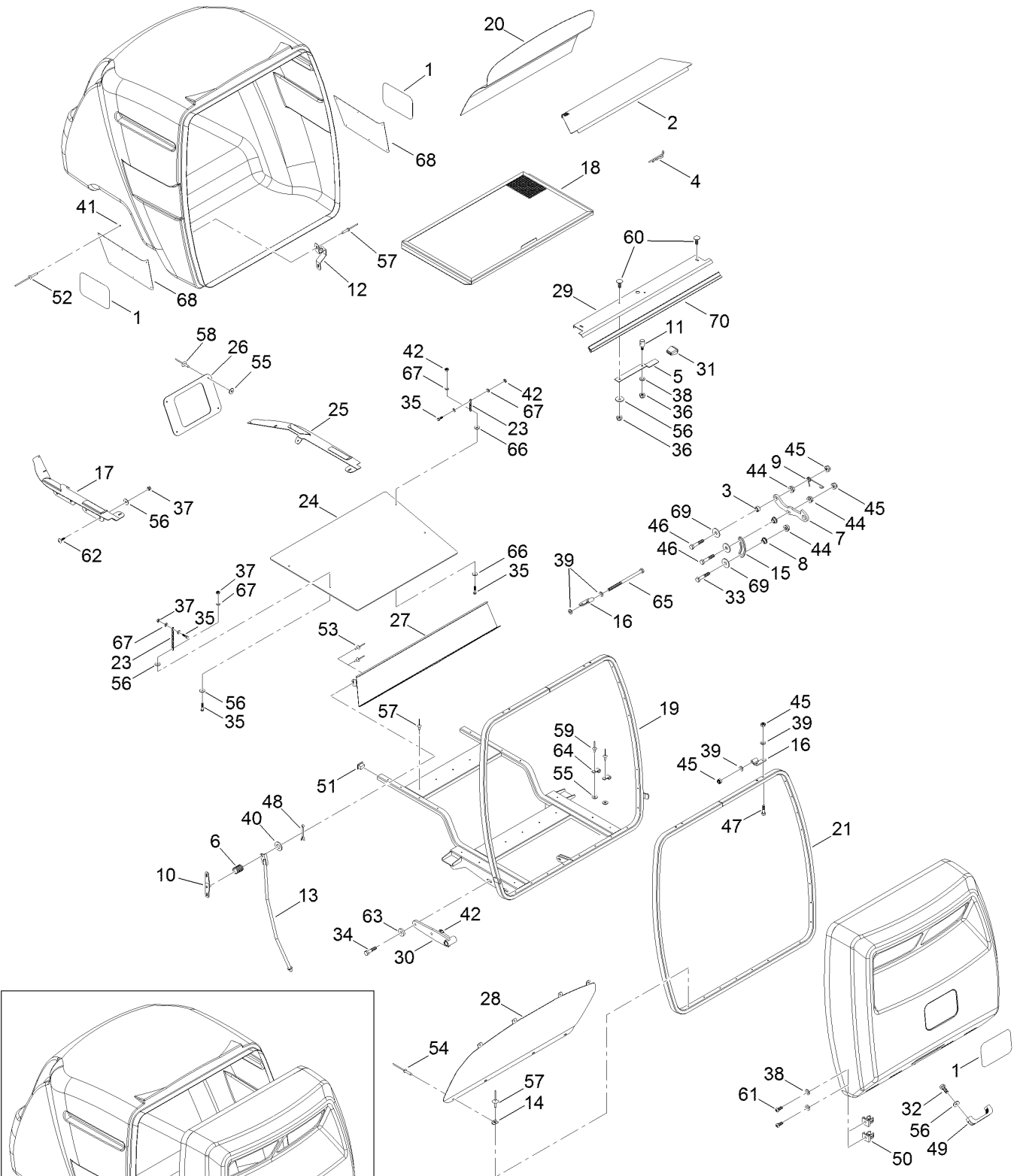
Basket Lift Frame Assembly



Basket Lift Frame Assembly (continued)

<i>Ref.</i>	<i>Part Number</i>	<i>Qty.</i>	<i>Description</i>	<i>Ref.</i>	<i>Part Number</i>	<i>Qty.</i>	<i>Description</i>
1	104-7048	1	Cap-Housing	28	134-1044	2	Washer
2	104-7050	1	Tube-Manual	29	134-1045	4	Washer
3	107-1865	1	R-Clamp	30	134-1051	2	Washer
4	134-0654	2	Cylinder-Tipping, Grass Catcher	31	134-1065	8	Fitting-Grease
5	134-0692	2	Support	32	134-1072	1	Screw
6	134-0719	2	Pin	33	134-1090	1	Nut
7	134-0727	1	Spring	34	134-1092	2	Nut
8	134-0759	1	Support	35	134-1095	2	Nut
9	134-0761	2	Bushing	36	134-1121	1	Screw
10	134-0776	1	Pin	37	134-1175	2	Cap
11	134-0809	1	Bracket	38	134-1180	1	Knob
12	134-0810	1	Bracket	39	134-1260	1	Insert-Threaded
13	134-0814	1	Support	40	134-1310	2	Screw
14	134-0839	1	Bar-Roll	41	134-1326	1	Magnet
16	134-0873	1	Pin	42	134-1328	2	Joint-Ball
17	134-0909	1	Rod-Safety	43	134-1330	5	Collar
18	134-0931	1	Pin	44	134-1338	2	Pad-Rubber
19	134-0932	2	Plate-Small	45	134-2958	1	Bracket
20	134-0933	1	Cable	46	134-2959	2	Arm
21	134-1008	1	Screw	47	134-2960	1	Arm
22	134-1011	1	Screw	48	134-2961	1	Arm
23	134-1025	1	Screw	49	134-2962	2	Washer
24	134-1036	2	Nut	50	134-2963	1	Screw
25	134-1037	2	Nut	51	134-2964	1	Ring-Snap
26	134-1041	1	Nut	52	134-2965	2	Hopper Hinge
27	134-1042	2	Nut	53	134-2966	1	Ring Snap
				54	134-0811	2	Cylinder

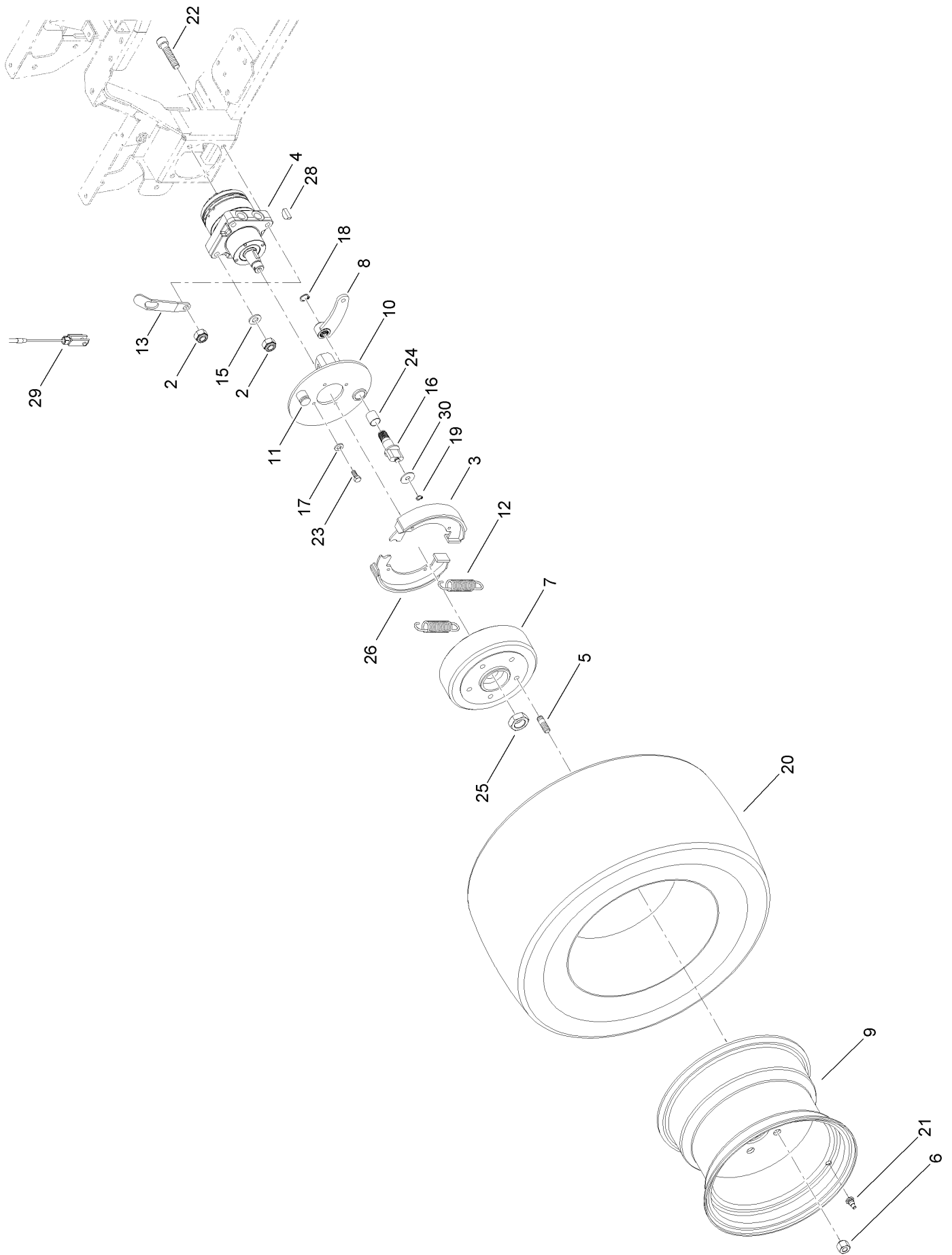
Basket Assembly



Basket Assembly (continued)

<i>Ref.</i>	<i>Part Number</i>	<i>Qty.</i>	<i>Description</i>	<i>Ref.</i>	<i>Part Number</i>	<i>Qty.</i>	<i>Description</i>
1	134-0551	3	Decal	34	134-1019	1	Screw
2	134-0658	1	Sieve-Catcher, Grass	35	134-1028	2	Screw
3	134-0687	1	Spacer	36	134-1041	2	Nut
4	134-0724	1	Stop	37	134-1042	3	Nut
5	134-0725	1	Hook	38	134-1044	2	Washer
6	134-0727	1	Spring	39	134-1045	3	Washer
7	134-0728	1	Hook	40	134-1046	1	Washer
8	134-0737	1	Bushing	41	134-1050	1	Washer
9	134-0740	1	Spring	42	134-1065	1	Fitting-Grease
10	134-0741	1	Support	44	134-1082	3	Nut
11	134-0743	1	Pin	45	134-1092	3	Nut
12	134-0744	1	Bracket	46	134-1119	1	Screw
13	134-0747	1	Rod	47	134-1122	1	Screw
14	134-0753	1	Bracket	48	134-1129	1	Pin-Spring
15	134-0755	1	Rod-Connecting	49	134-1140	1	Handle
16	134-0758	1	Hinge	50	134-1160	1	Collar
17	134-0764	1	Guide	51	134-1181	1	Cap-Plastic, Black
18	134-0765	1	Screen-Grass Catcher, Inside	52	134-1183	1	Rivet
19	134-0825	1	Frame	53	134-1190	1	Rivet
20	134-0842	1	Screen-Grass Catcher, Front	54	134-1204	1	Rivet
21	134-0843	1	Frame	55	134-1231	2	Washer
22	134-0858	1	Catcher-Grass	56	134-1234	7	Washer
23	134-0870	2	Chain	57	134-1244	3	Rivet
24	134-0871	1	Panel-Plastic, Grass Catcher	58	134-1246	1	Rivet
25	134-0875	1	Support-Net	59	134-1273	1	Rivet
26	134-0908	1	Plate	60	134-1296	1	Screw
27	134-0961	1	Screen-Grass Catcher	61	134-1303	1	Screw
28	134-0976	1	Plate	62	134-1304	1	Screw
29	134-0978	1	Rail-Cross	63	134-1337	1	Washer
30	134-0979	1	Hinge	64	134-1348	1	Grommet
31	134-0999	1	Knob	65	134-2972	1	Screw
32	134-1008	1	Screw	66	134-2979	7	Washer
33	134-1013	1	Screw	67	134-3027	6	Washer
				68	134-3124	2	Plate-Logo, Hopper
				69	134-3126	3	Washer
				70	134-3125	1	Gasket-Screen, Hopper

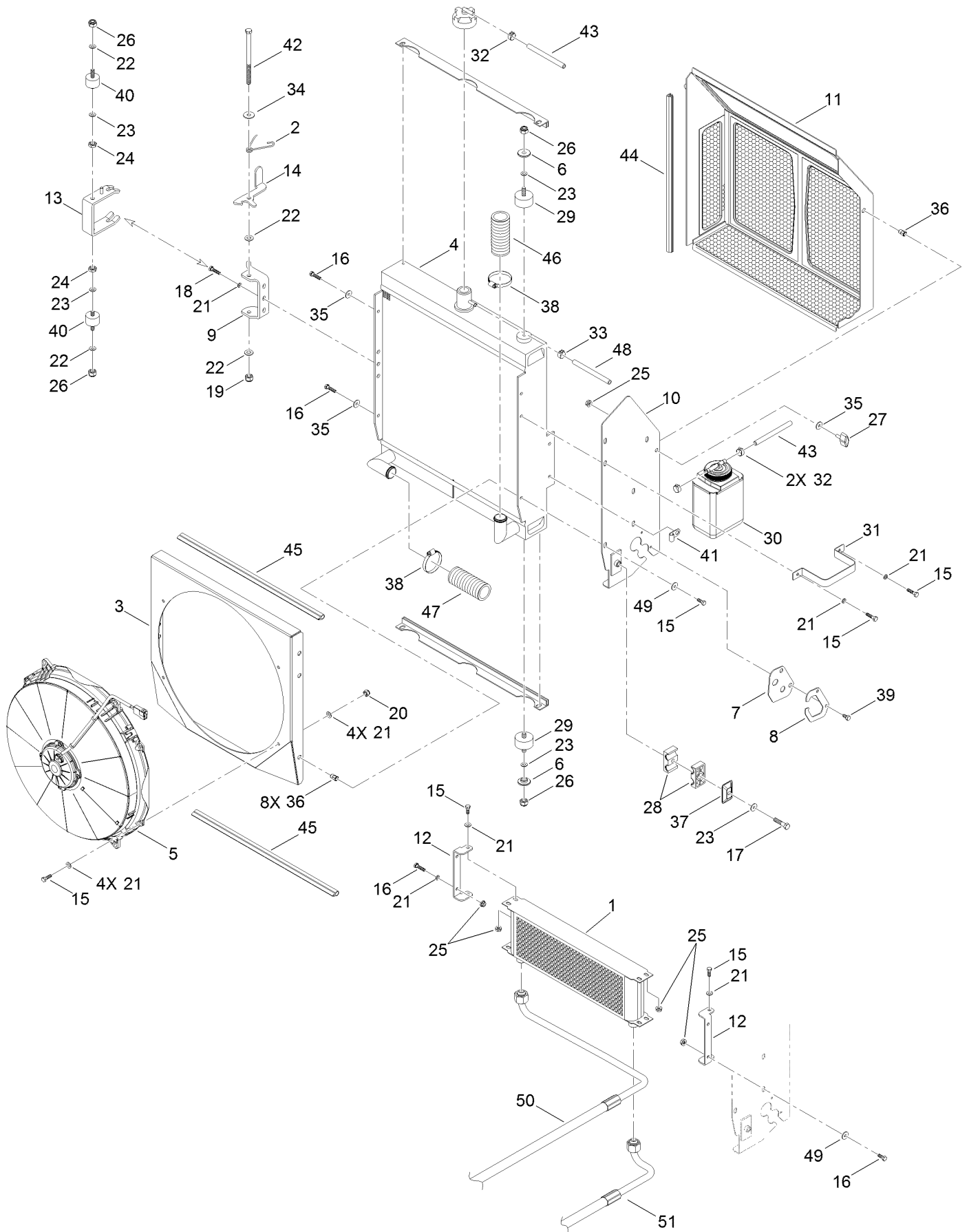
Brakes Assembly



Brakes Assembly (continued)

<i>Ref.</i>	<i>Part Number</i>	<i>Qty.</i>	<i>Description</i>	<i>Ref.</i>	<i>Part Number</i>	<i>Qty.</i>	<i>Description</i>
2	134-0561	4	Nut	17	134-1054	4	Washer
3	134-0624	2	Shoe-Brake	18	134-1062	1	Ring-Retaining, Int
4	134-0666	1	Motor-Hydraulic	19	134-1063	1	Ring-Retaining, Int
5	134-0686	5	Stud	20	134-1229	1	Tire-Front
6	134-0688	5	Nut-Lug, Wheel	21	134-1261	1	Valve-Tire
7	134-0711	1	Drum-Brake	22	134-1298	4	Screw
8	134-0714	1	Lever-Brake	23	134-1299	4	Screw
9	134-0715	1	Rim-Wheel, Front	24	134-1320	1	Bushing
10	134-0717	1	Camshaft	25	134-2967	1	Nut
11	134-0718	1	Plate-Brake	26	134-2968	1	Brake Caliper
12	134-0722	2	Spring	28	134-2970	1	Feather Key
13	134-0726	1	Bracket-Cable, Brake	29	134-2971	1	Wire
15	134-1047	3	Washer	30	134-1048	1	Washer
16	134-1048	1	Washer				

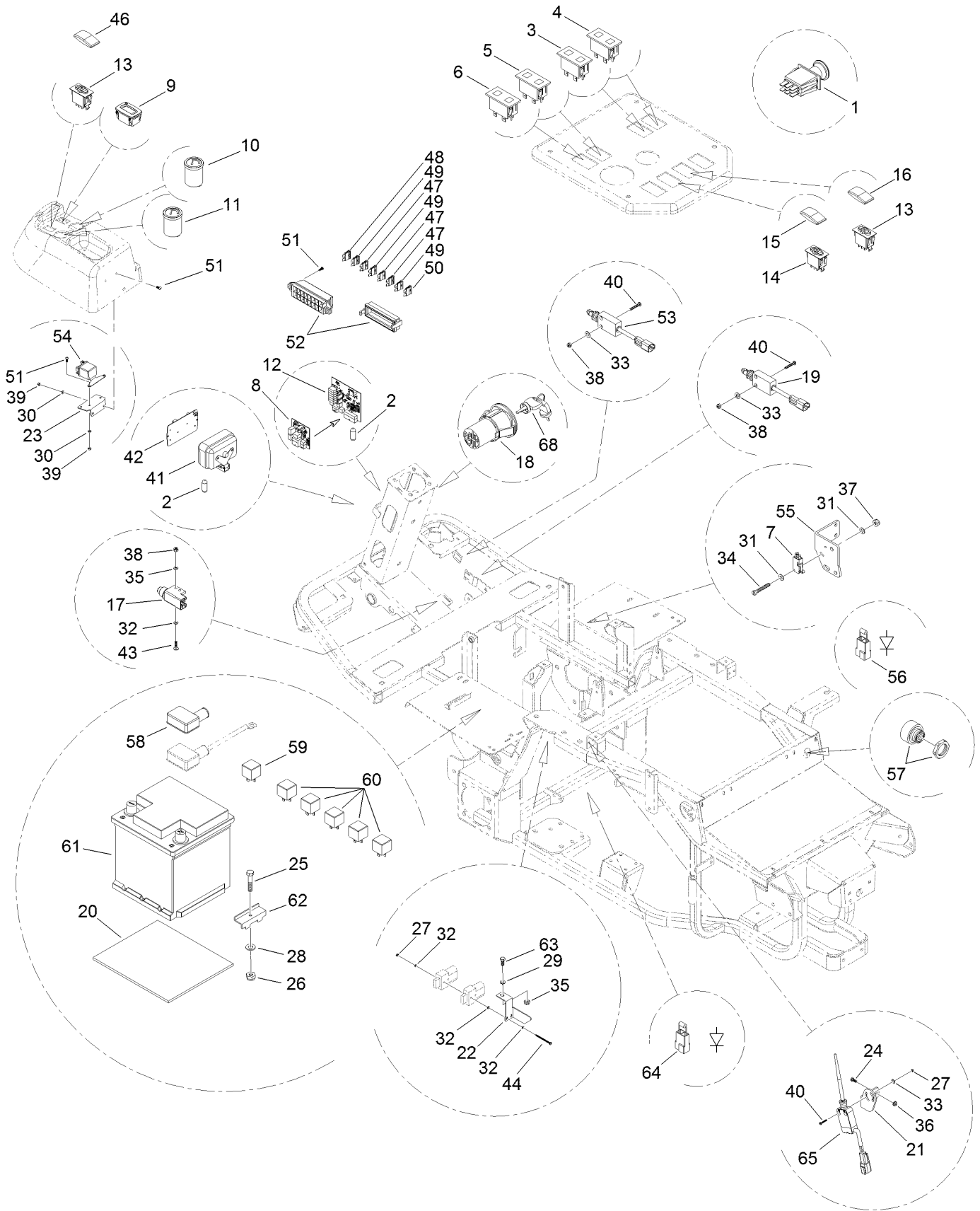
Cooling Assembly



Cooling Assembly (continued)

<i>Ref.</i>	<i>Part Number</i>	<i>Qty.</i>	<i>Description</i>	<i>Ref.</i>	<i>Part Number</i>	<i>Qty.</i>	<i>Description</i>
1	134-0625	1	Cooler-Oil	27	134-1148	1	Knob
2	134-0640	1	Spring	28	134-1151	1	Collar
3	134-0651	1	Conveyor-Blower	29	134-1164	2	Shock Absorber
4	134-0659	1	Radiator	30	134-1173	1	Tank
5	134-0606	1	Blower	31	134-1174	1	Clamp
6	134-0694	2	Bushing	32	134-1199	3	Clamp
7	134-0751	1	Gasket	33	134-1201	1	Clamp
8	134-0752	1	Frame	34	134-1233	1	Washer
9	134-0771	1	Bracket	35	134-1234	3	Washer
10	134-0773	1	Guard-Cable	36	134-1257	9	Insert-Threaded
11	134-0777	1	Screen-Radiator	37	134-1274	1	Plate-Small
12	134-0840	2	Bracket	38	134-1277	2	Clamp
13	134-0863	1	Bracket	39	134-1293	1	Screw
14	134-0864	1	Bracket	40	134-1346	2	Shock Absorber
15	134-1008	7	Screw	41	134-1348	1	Grommet
16	134-1009	7	Screw	42	134-2972	1	Screw
17	134-1014	1	Screw	43	134-2973	2	Pipe
18	134-1027	1	Screw	44	134-2974	1	Gasket
19	134-1038	1	Nut	45	134-2975	2	Gasket
20	134-1042	1	Nut	46	134-2976	1	Pipe
21	134-1044	7	Washer	47	134-2977	1	Pipe
22	134-1045	4	Washer	48	134-2978	1	Pipe
23	134-1054	4	Washer	49	134-2979	2	Washer
24	134-1078	2	Nut	50	134-2980	1	Hydraulic Hose
25	134-1084	3	Nut	51	134-2981	1	Hydraulic Hose
26	134-1092	4	Nut				

Electric Equipment Assembly

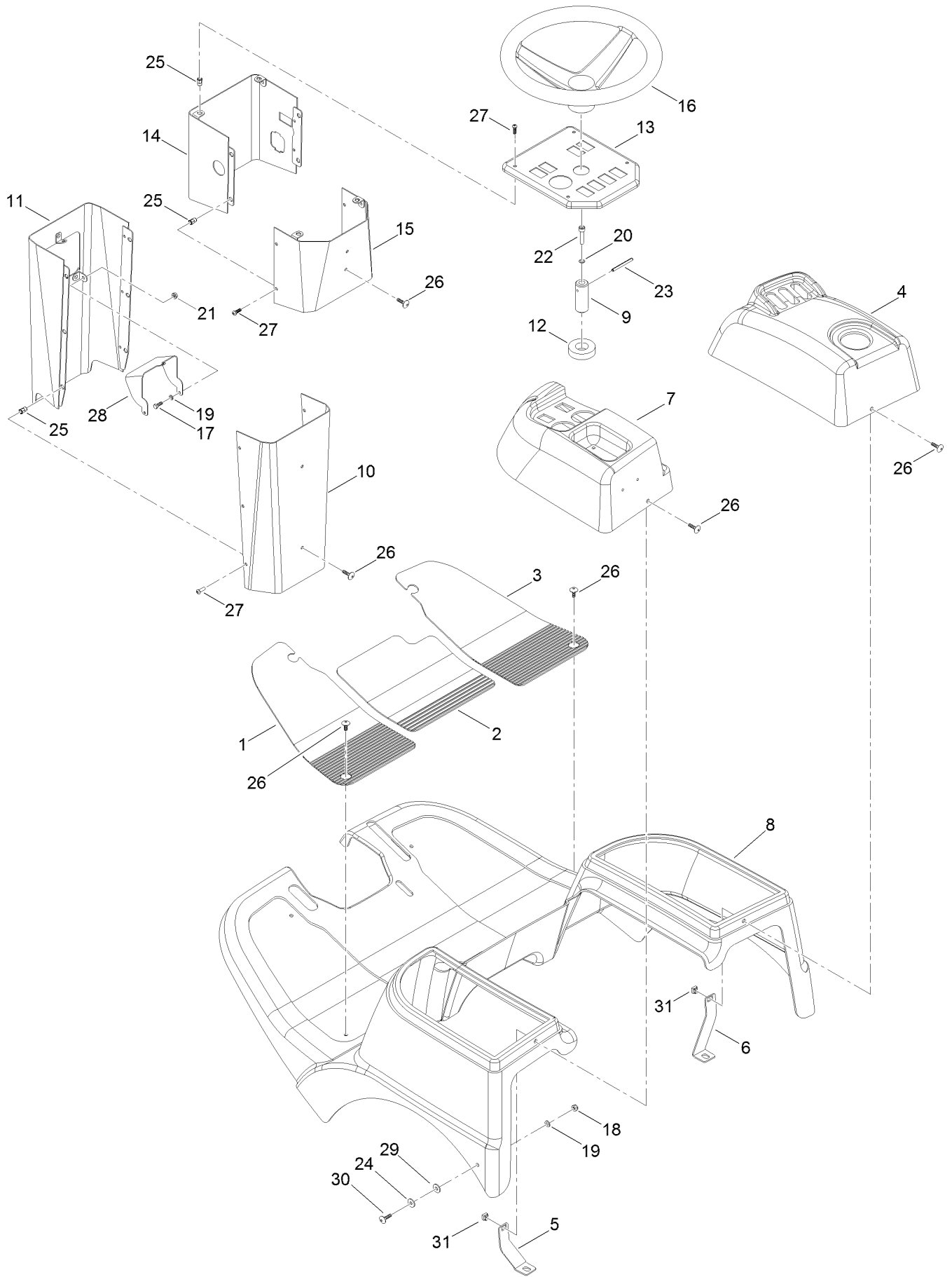


Electric Equipment Assembly (continued)

<i>Ref.</i>	<i>Part Number</i>	<i>Qty.</i>	<i>Description</i>	<i>Ref.</i>	<i>Part Number</i>	<i>Qty.</i>	<i>Description</i>
1	93-9999	1	Switch-PTO	31	134-1050	2	Washer
2	111-9822	2	Ferrit-Suppression, Emc	32	134-1052	4	Washer
3	122-0332	1	Light-Indicator, Low Beam/Work Light	33	134-1053	3	Washer
4	122-0333	1	Light-Indicator, Hopper Full/Park	34	134-1077	1	Screw
5	122-0342	1	Light-Indicator, Oil Pressure/Air Filter	35	134-1082	1	Nut
6	122-0334	1	Light-Indicator, Glow/Battery	36	134-1084	1	Nut
7	134-0586	1	Microswitch	37	134-1085	1	Nut
8	134-0597	1	Control Unit-Light, Electric	38	134-1093	3	Nut
9	134-0598	1	Meter-Hour	39	134-1094	2	Nut
10	134-0603	1	Indicator-Fuel	40	134-1113	3	Screw
11	134-0604	1	Indicator-Temperature	41	134-1280	1	Lamp-Front
12	134-1991	1	Control Unit-Machine, Electronic	42	134-1281	1	Bulb
13	134-0609	2	Switch	43	134-1307	1	Screw
14	134-0610	2	Switch	44	134-1315	1	Screw
15	134-0611	1	Cover-Button, Sense Inverting/Fan Rot	46	134-2982	1	Switch
16	134-0612	1	Cover-Lock Button, Differential	47	134-2983	4	Fuse 5A
17	134-0614	1	Microswitch-Brake	48	134-2984	1	Fuse 30A
18	134-0615	1	Switch-Ignition	49	134-2985	3	Fuse 15A
19	134-0620	1	Microswitch-Forward	50	134-2986	1	Fuse
20	134-0720	1	Bushing-Plastic	51	134-2987	2	Screw
21	134-0880	1	Bracket	52	134-2988	1	Box-Fuse
22	134-0890	1	Bracket	53	134-2989	1	Swtch-Micro
23	134-0921	1	Bracket	54	134-2990	1	Glow Relay ASM
24	134-1008	1	Screw	55	134-0952	1	Bracket
25	134-1027	1	Screw	56	134-2992	1	Diode-Engine
26	134-1038	1	Nut	57	134-2993	1	Solenoid
27	134-1040	2	Nut	58	134-2994	1	Guard
28	134-1045	1	Washer	59	134-2995	1	Relay
29	134-1047	1	Washer	60	134-2996	5	Relay
30	134-1049	2	Washer	61	134-2997	1	Battery
				62	134-2998	1	Plate-Small
				63	134-2999	1	Screw
				64	134-3000	1	Diode-Clutch
				65	134-3001	1	Micro-Open, Grass Catcher
				67	134-1993	1	Main Wiring Harness ●
				68	134-1285	1	Key-Ignition, Plastic Cover

● Not illustrated

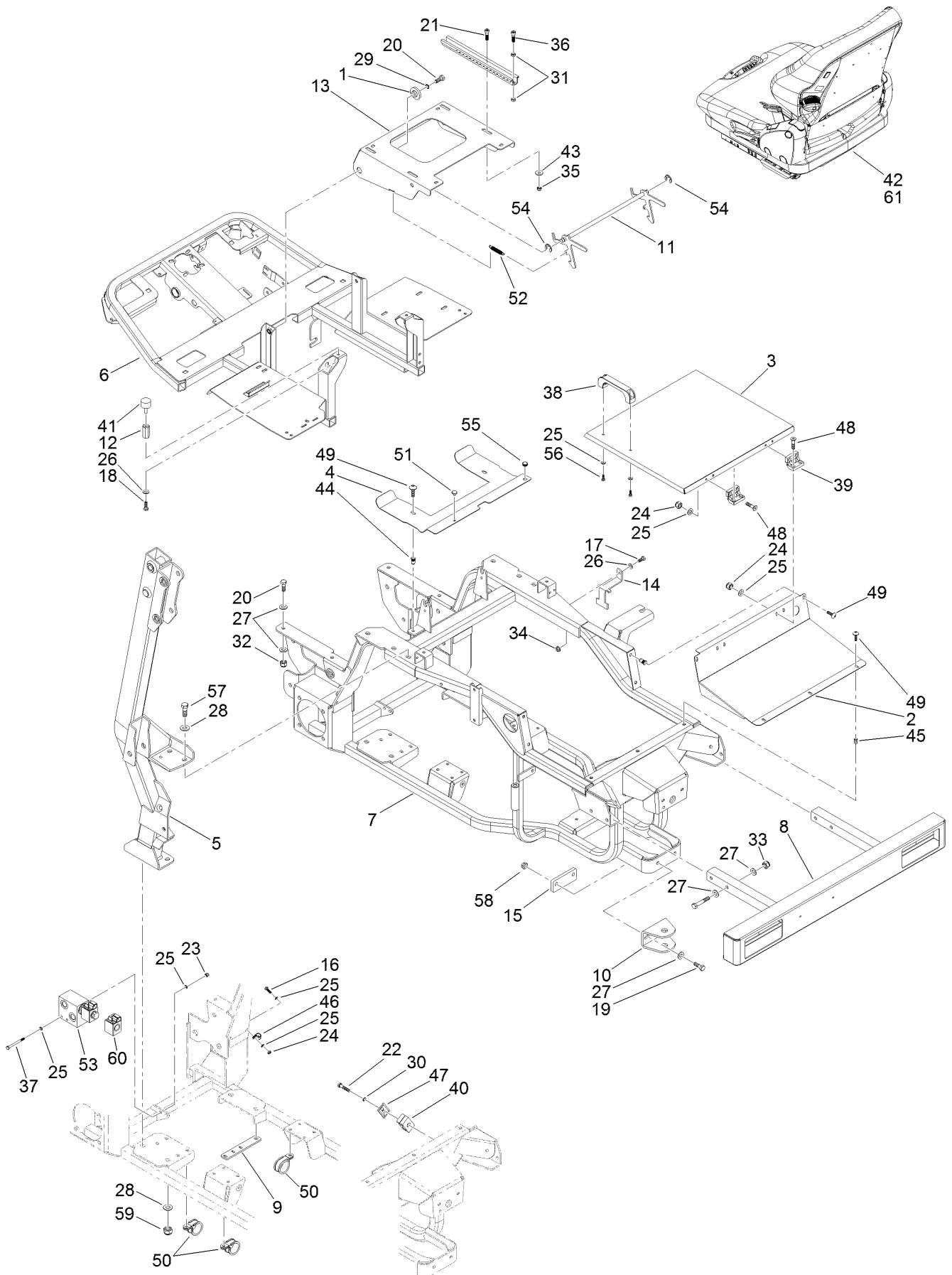
Body Assembly



Body Assembly (continued)

<i>Ref.</i>	<i>Part Number</i>	<i>Qty.</i>	<i>Description</i>	<i>Ref.</i>	<i>Part Number</i>	<i>Qty.</i>	<i>Description</i>
1	134-0644	1	Pad-Footboard	17	134-1007	1	Screw
2	134-0645	1	Pad-Footboard	18	134-1041	1	Nut
3	134-0646	1	Pad-Footboard	19	134-1044	1	Washer
4	134-0832	1	Dashboard	20	134-1054	1	Washer
5	134-0885	1	Bracket	21	134-1084	1	Nut
6	134-0886	1	Bracket	22	134-1122	1	Screw
7	134-0927	1	Dashboard	23	134-1135	1	Plug
8	134-0928	1	Fairing	24	134-1234	1	Washer
9	134-0937	1	Bushing	25	134-1257	3	Insert-Threaded
10	134-0945	1	Support	26	134-1304	6	Screw
11	134-0947	1	Support	27	134-1311	3	Screw
12	134-0950	1	Washer	28	134-0946	1	Support-Column
13	134-0954	1	Dashboard	29	134-3003	1	Washer
14	134-0955	1	Support	30	134-3004	1	Screw
15	134-0956	1	Support	31	134-3005	1	Nut-Cage
16	134-0958	1	Wheel-Steering				

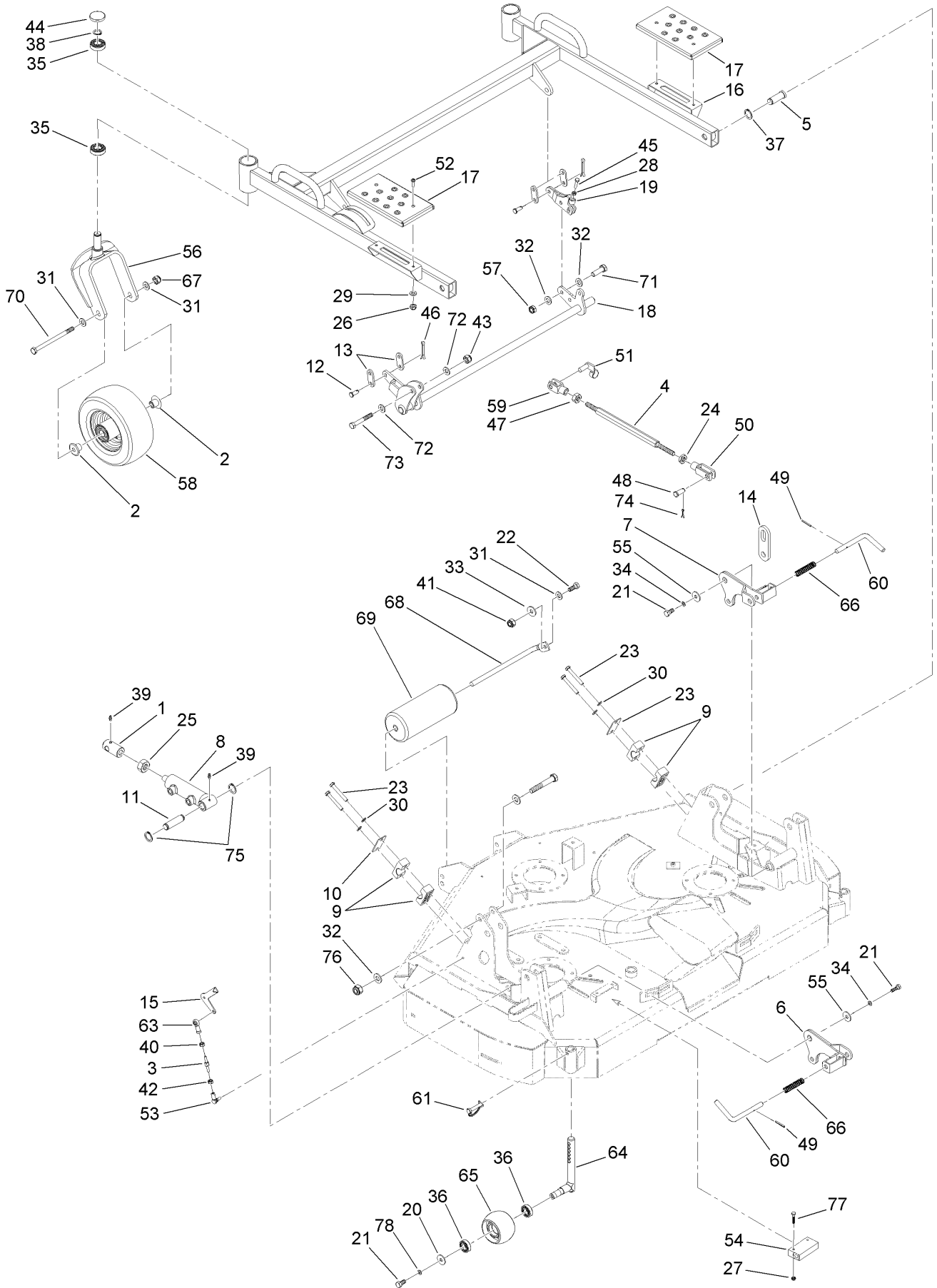
Frame Assembly



Frame Assembly (continued)

<i>Ref.</i>	<i>Part Number</i>	<i>Qty.</i>	<i>Description</i>	<i>Ref.</i>	<i>Part Number</i>	<i>Qty.</i>	<i>Description</i>
1	134-0689	1	Bushing	32	134-1079	1	Nut
2	134-0796	1	Cover-Engine, Rear	33	134-1081	1	Nut
3	134-0797	2	Hood	34	134-1082	1	Nut
4	134-0798	1	Cover-Engine, Front	35	134-1092	1	Nut
5	134-0810	1	Bracket	36	134-1115	1	Screw
6	134-0837	1	Footrest	37	134-1116	1	Screw
7	134-0851	1	Frame	38	134-1140	1	Handle
8	134-0874	1	Bumper	39	134-1147	1	Hinge-Plastic
9	134-0891	1	Bracket	40	134-1152	1	Collar
10	134-0904	1	Bar-Tow	41	134-1163	1	Pad-Rubber
11	134-0911	1	Hook-Seat	42	134-1171	1	Seat-Grammer
12	134-0912	1	Column	43	134-1233	1	Washer
13	134-0941	1	Support-Seat	44	134-1253	1	Insert-Threaded
14	134-0974	1	Bracket	45	134-1257	1	Insert-Threaded
15	134-0975	1	Bracket	46	134-1262	1	Clamp
16	134-1009	1	Screw	47	134-1274	1	Plate-Small
17	134-1011	1	Screw	48	134-1297	2	Screw
18	134-1015	1	Screw	49	134-1304	3	Screw
19	134-1019	1	Screw	50	134-1319	2	Clamp
20	134-1023	2	Screw	51	134-1326	1	Magnet
21	134-1026	1	Screw	52	134-1353	1	Spring
22	134-1027	1	Screw	53	134-0584	1	Valve-Lock, Differential
23	134-1041	1	Nut	54	134-2964	2	Ring-Snap
24	134-1042	3	Nut	55	134-3007	1	Plug-Rubber
25	134-1044	7	Washer	56	134-3008	2	Screw
26	134-1045	2	Washer	57	134-2999	1	Screw
27	134-1046	4	Washer	58	134-3009	1	Nut
28	134-1047	2	Washer	59	134-2969	1	Nut
29	134-1051	1	Washer	60	134-3095	1	Hydraulic Comp
30	134-1054	1	Washer	61	134-3967	1	Seat-Switch
31	134-1078	2	Nut				

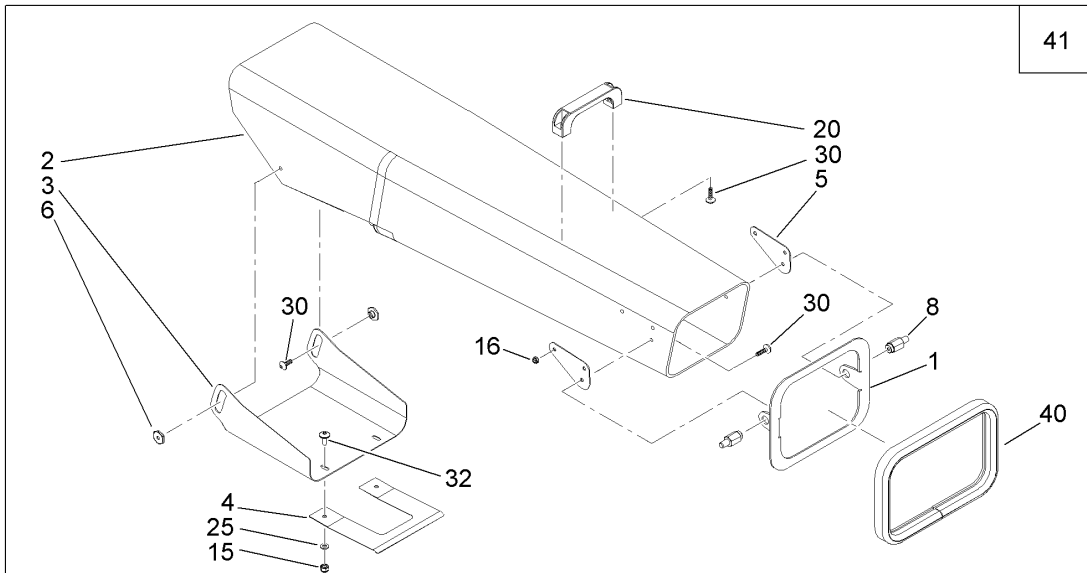
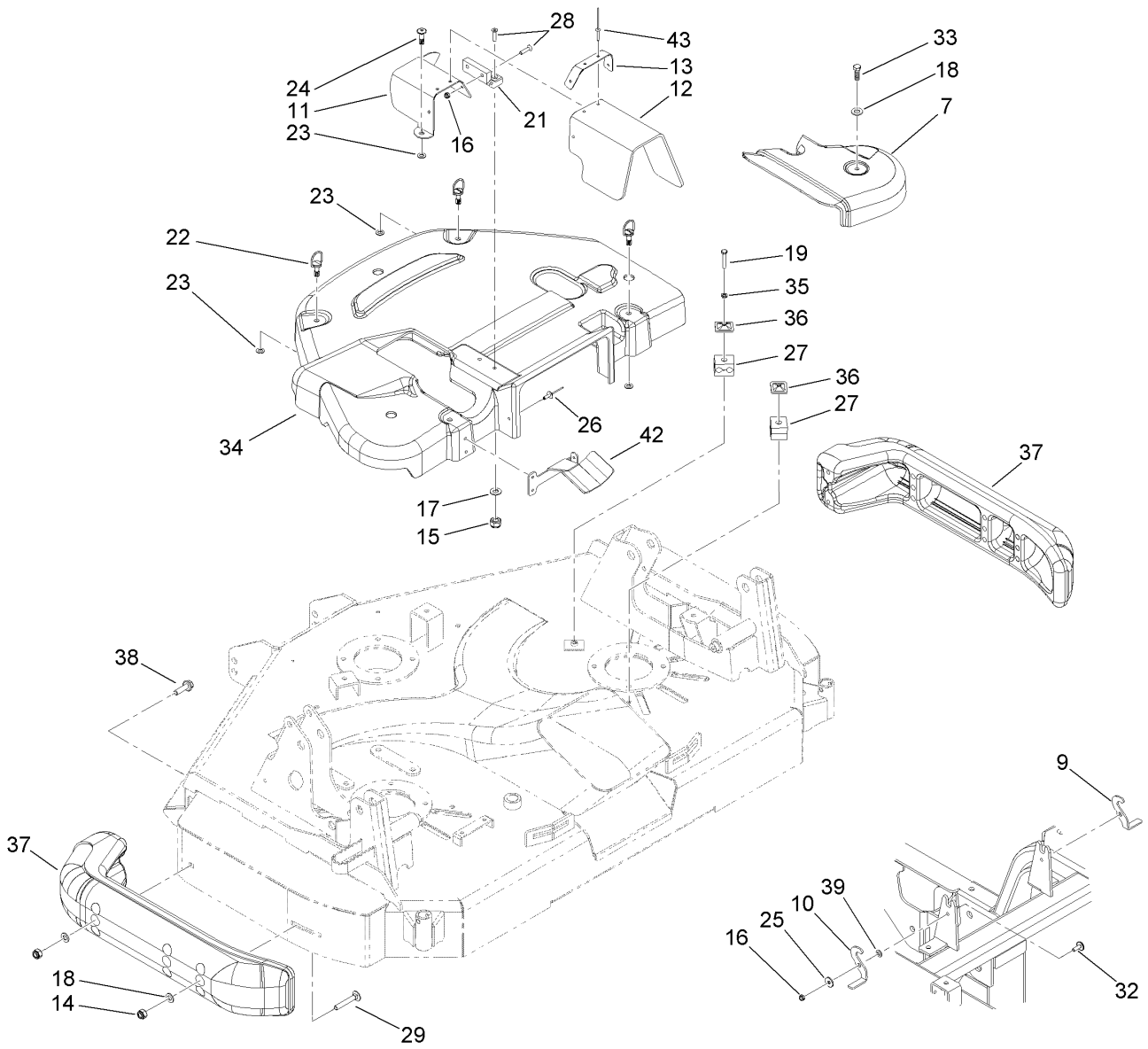
Flat Frame Assembly



Flat Frame Assembly (continued)

<i>Ref.</i>	<i>Part Number</i>	<i>Qty.</i>	<i>Description</i>	<i>Ref.</i>	<i>Part Number</i>	<i>Qty.</i>	<i>Description</i>
1	134-0692	1	Support	40	134-1080	1	Nut
2	134-0731	2	Bushing	41	134-1081	1	Nut
3	134-0738	1	Indicator-HOC	42	134-1083	1	Nut
4	134-0739	1	Rod	43	134-1090	1	Nut
5	134-0742	1	Pin	44	134-1097	1	Cap
6	134-0806	1	Lever	45	134-1114	1	Screw
7	134-0807	1	Lever	46	134-1131	4	Pin-Spring
8	134-0826	1	Cylinder-HYD	47	134-1165	1	Nut
9	134-0829	2	Block	48	134-1182	1	Pin
10	134-0856	2	Plate-Small	49	134-1205	2	Plug-Spirol
11	134-0859	1	Pin	50	134-1251	1	Fork
12	134-0865	1	Pin	51	134-1252	1	Clip
13	134-0901	1	Plate-Small	52	134-1304	1	Screw
14	134-0902	1	Plate-Small	53	134-1327	1	Articulation
15	134-0903	1	Indicator-HOC	54	134-1335	1	Valve-Lock
16	134-0935	1	Frame	55	134-1355	2	Washer
17	134-0936	2	Footrest	56	134-0662	1	Yoke-Deck, Cutter
18	134-0944	1	Bracket	57	134-0561	1	Nut
19	134-0951	1	Bracket	58	134-1363	1	Wheel
20	134-0997	1	Washer	59	134-0616	1	Yoke-LH
21	134-1011	3	Screw	60	134-0660	1	Pin-Unhooking
22	134-1023	1	Screw	61	134-0593	1	Pin
23	134-1024	2	Screw	63	134-0592	1	Head-Joint
24	134-1035	1	Nut	64	134-0642	1	Pin
25	134-1037	1	Nut	65	134-0639	1	Wheel- Anti Scalp
26	134-1041	1	Nut	66	134-0641	1	Spring
27	134-1042	1	Nut	67	134-1079	1	Nut
28	134-1043	1	Nut	68	68-6840	1	Shaft-Roller
29	134-1044	1	Washer	69	68-6710	1	Roller
30	134-1045	2	Washer	70	134-3010	1	Screw
31	134-1046	3	Washer	71	134-3011	1	Screw
32	134-1047	3	Washer	72	134-3012	3	Washer
33	134-1048	1	Washer	73	134-3013	1	Screw
34	134-1054	2	Washer	74	134-2957	1	Pin-Split
35	134-1055	1	Bearing	75	134-3016	2	Circlip
36	134-1056	2	Bearing	76	134-3017	1	Screw
37	134-1059	1	Ring-Retaining, Int	77	134-3019	1	Screw
38	134-1060	1	Ring-Retaining, Int	78	134-3012	1	Washer
39	134-1065	2	Fitting-Grease				

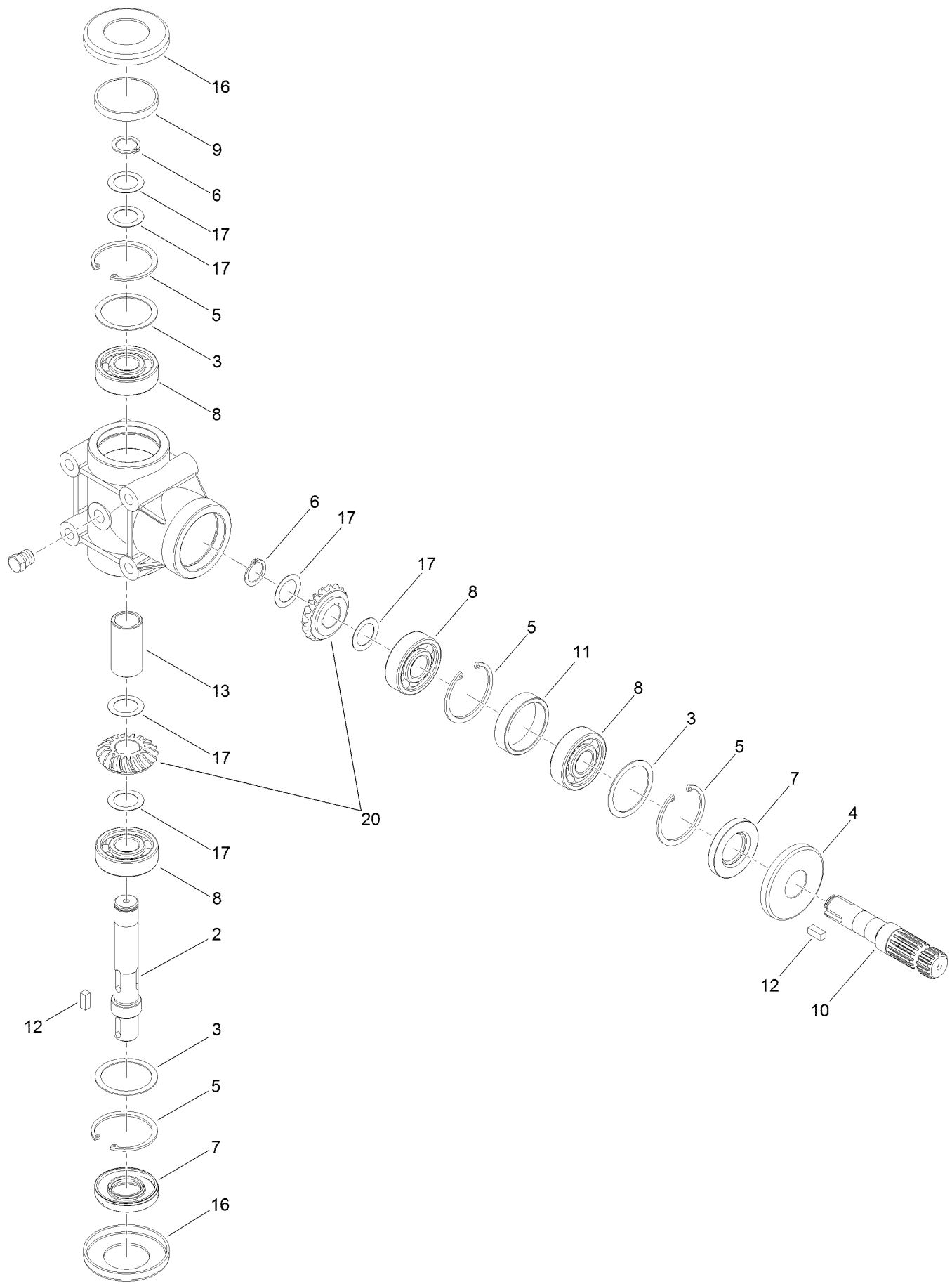
Grass Conveyor Hood Assembly



Grass Conveyor Hood Assembly (continued)

<i>Ref.</i>	<i>Part Number</i>	<i>Qty.</i>	<i>Description</i>	<i>Ref.</i>	<i>Part Number</i>	<i>Qty.</i>	<i>Description</i>
1	134-0793	1	Bracket	22	134-1191	1	Pin
2	134-1995	1	Chute-Grass	23	134-1192	3	Washer
3	134-1994	1	Bracket-Chute	24	134-1196	1	Pin
4	134-0801	1	Plate	25	134-1234	2	Washer
5	134-0802	1	Bracket	26	134-1246	1	Rivet
6	134-0803	1	Pin	27	134-1248	2	Collar
7	134-0831	1	Cover	28	134-1297	1	Screw
8	134-0882	1	Pin	29	134-1300	1	Screw
9	134-0917	1	Hook-Chute, RH	30	134-1314	3	Screw
10	134-0918	1	Hook-Chute, LH	32	134-1304	1	Screw
11	134-0962	1	Guard-Cable	33	134-3021	1	Screw
12	134-0963	1	Grommet-Rubber, Fender	34	134-0656	1	Fairing-Deck, Cutter
13	134-0964	1	Bracket	35	134-3023	1	Washer
14	134-1038	1	Nut	36	134-3024	2	Small Plate
15	134-1041	2	Nut	37	112-1479	2	Skid-Bumper, Deck
16	134-1042	3	Nut	38	9136144	1	Screw-HWHTF
17	134-1044	1	Washer	39	134-3027	1	Washer
18	134-1045	2	Washer	40	134-3028	1	Rubber Seal-Chute
19	134-1069	1	Screw	41	134-3029	1	Grass Conveyor ASM
20	134-1140	1	Handle	42	134-0966	1	Protector-Hose
21	134-1147	1	Hinge-Plastic	43	134-1240	4	Rivet

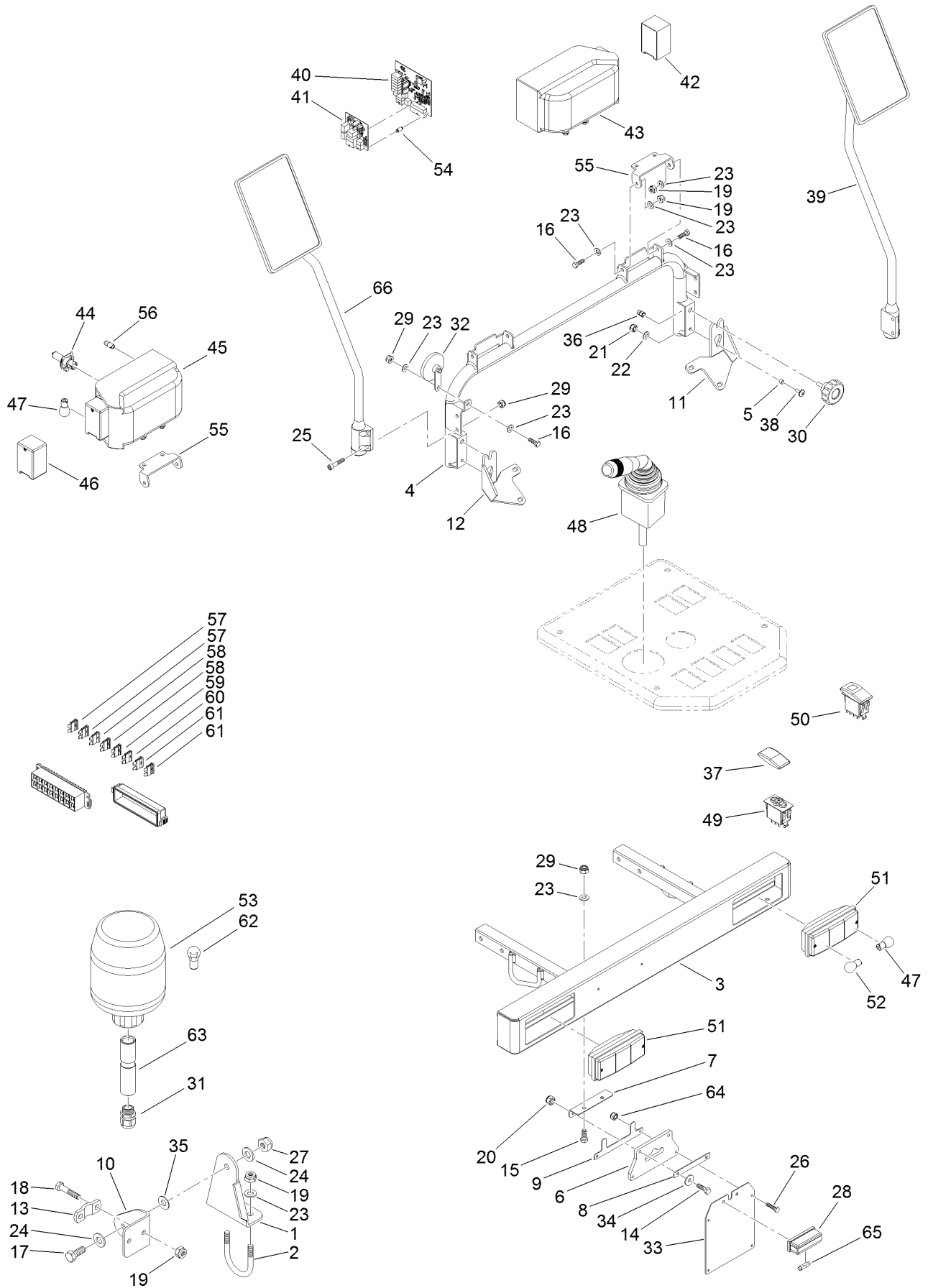
Gearbox Assembly No. 134-0623



Gearbox Assembly No. 134-0623 (continued)

<i>Ref.</i>	<i>Part Number</i>	<i>Qty.</i>	<i>Description</i>	<i>Ref.</i>	<i>Part Number</i>	<i>Qty.</i>	<i>Description</i>
2	134-0702	1	Shaft	10	134-1339	1	Shaft
3	134-0996	3	Spacer	11	134-1340	1	Spacer
4	134-1001	1	Cover	12	134-1341	2	Key-Shaft
5	134-1057	4	Ring-Retaining, Int	13	134-1342	1	Spacer
6	134-1060	2	Ring-Retaining, Int	16	134-1345	2	Cover
7	134-1096	2	Seal	17	134-1354	5	Spacer
8	134-1110	4	Bearing	20	134-1344	1	Gear-Set
9	134-1238	1	Cap				

Lighting Assembly

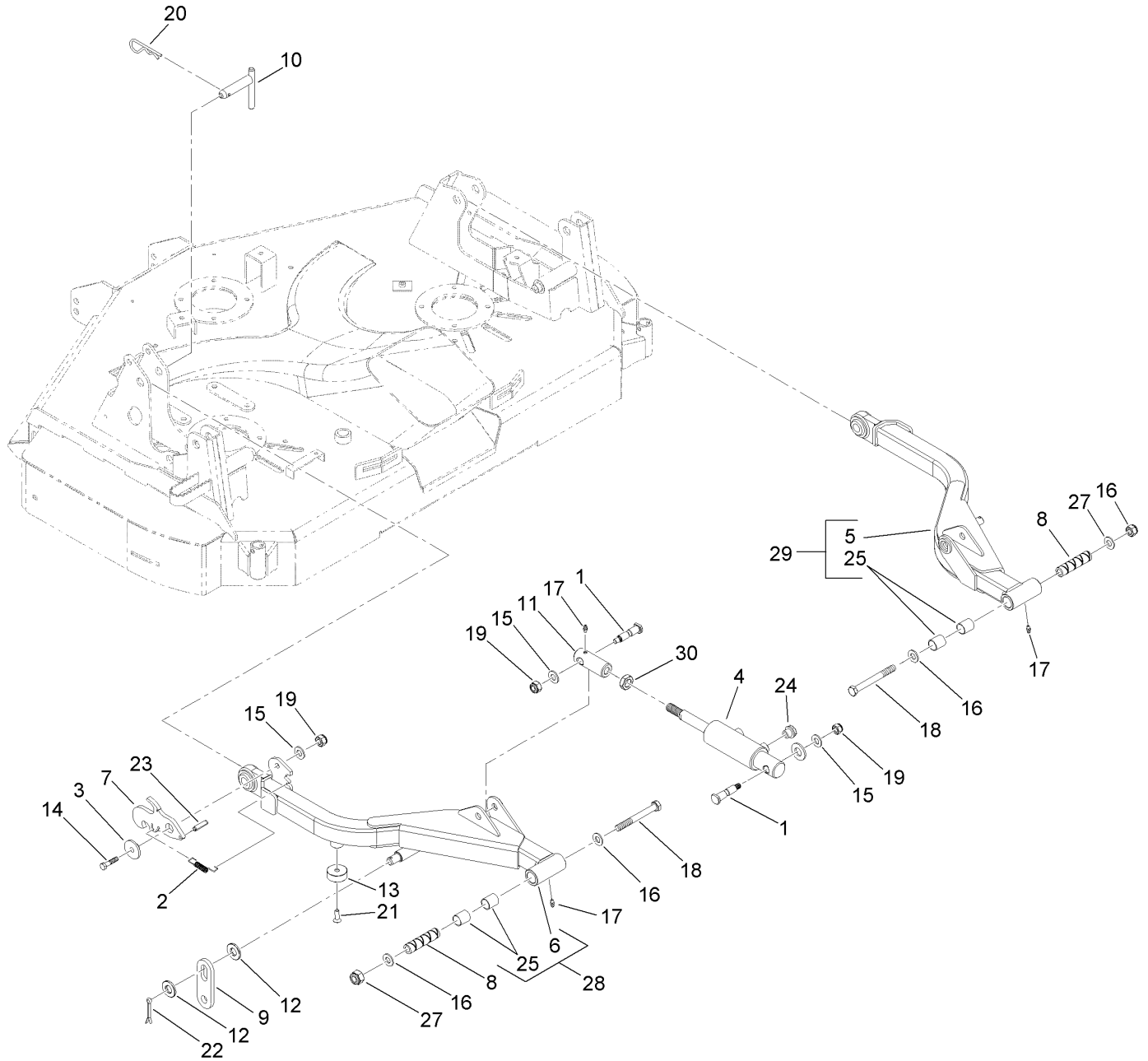


Lighting Assembly (continued)

<i>Ref.</i>	<i>Part Number</i>	<i>Qty.</i>	<i>Description</i>	<i>Ref.</i>	<i>Part Number</i>	<i>Qty.</i>	<i>Description</i>
1	134-0748	1	Bracket	36	134-1260	1	Insert-Threaded
2	134-0749	1	Jumper-Turn Light	37	134-1290	1	Switch
3	134-0874	1	Bumper	38	134-1304	1	Screw
4	134-0876	1	Bar-Lights, Front	39	134-1317	1	Mirror-Rear View
5	134-0877	1	Spacer	40	134-1991	1	Control Unit-Machine, Electronic
6	134-0922	1	Plate-License, Rubber	41	134-0597	1	Control Unit-Light, Electric
7	134-0923	1	Bracket	42	134-0668	1	Indicator-RH
8	134-0924	1	Bracket	43	134-0588	1	Headlight-RH
9	134-0925	1	Bracket	44	134-0590	1	Bulb-Light, Front
10	134-0972	1	Bracket	45	134-0589	1	Headlight-LH
11	134-0992	1	Bracket	46	134-0669	1	Indicator-LH
12	134-0993	1	Bracket	47	134-0566	1	Bulb-Indicator, Front
13	134-1000	1	Plate-Small	48	134-0613	1	Signal-Lights, Warning
14	134-1009	1	Screw	49	134-0609	1	Switch
15	134-1011	1	Screw	50	134-0608	1	Switch-Emergency
16	134-1015	3	Screw	51	134-0564	1	Tail Light
17	134-1018	1	Screw	52	134-0565	1	Bulb-Light, Front
18	134-1027	1	Screw	53	134-0587	1	Beacon-Rotating
19	134-1038	3	Nut	54	134-3034	4	Screw
20	134-1041	1	Nut	55	134-3035	2	Bracket
21	134-1042	1	Nut	56	134-3036	1	Bulb
22	134-1044	1	Washer	57	134-2983	2	Fuse 5A
23	134-1045	1	Washer	58	134-3037	1	Fuse
24	134-1046	1	Washer	59	134-3038	2	Fuse
25	134-1068	1	Screw	60	134-2985	1	Fuse 15A
26	134-1074	1	Screw	61	134-2986	2	Fuse
27	134-1081	1	Nut	62	134-3042	1	Bulb
28	134-1089	1	Lamp-License Plate	63	134-3043	1	Pipe
29	134-1092	3	Nut	64	134-3044	1	Nut
30	134-1178	1	Knob	65	134-3045	1	Bulb
31	134-1223	1	Fitting-Union	66	134-1276	1	Mirror-Rear View
32	134-1224	1	Horn	67	134-3114	1	Light Harness ●
33	134-1226	1	Plate-Support	68	134-3117	1	Wiring Harness-Lights ●
34	134-1234	1	Washer				
35	134-1237	1	Washer-Belleville				

● Not illustrated

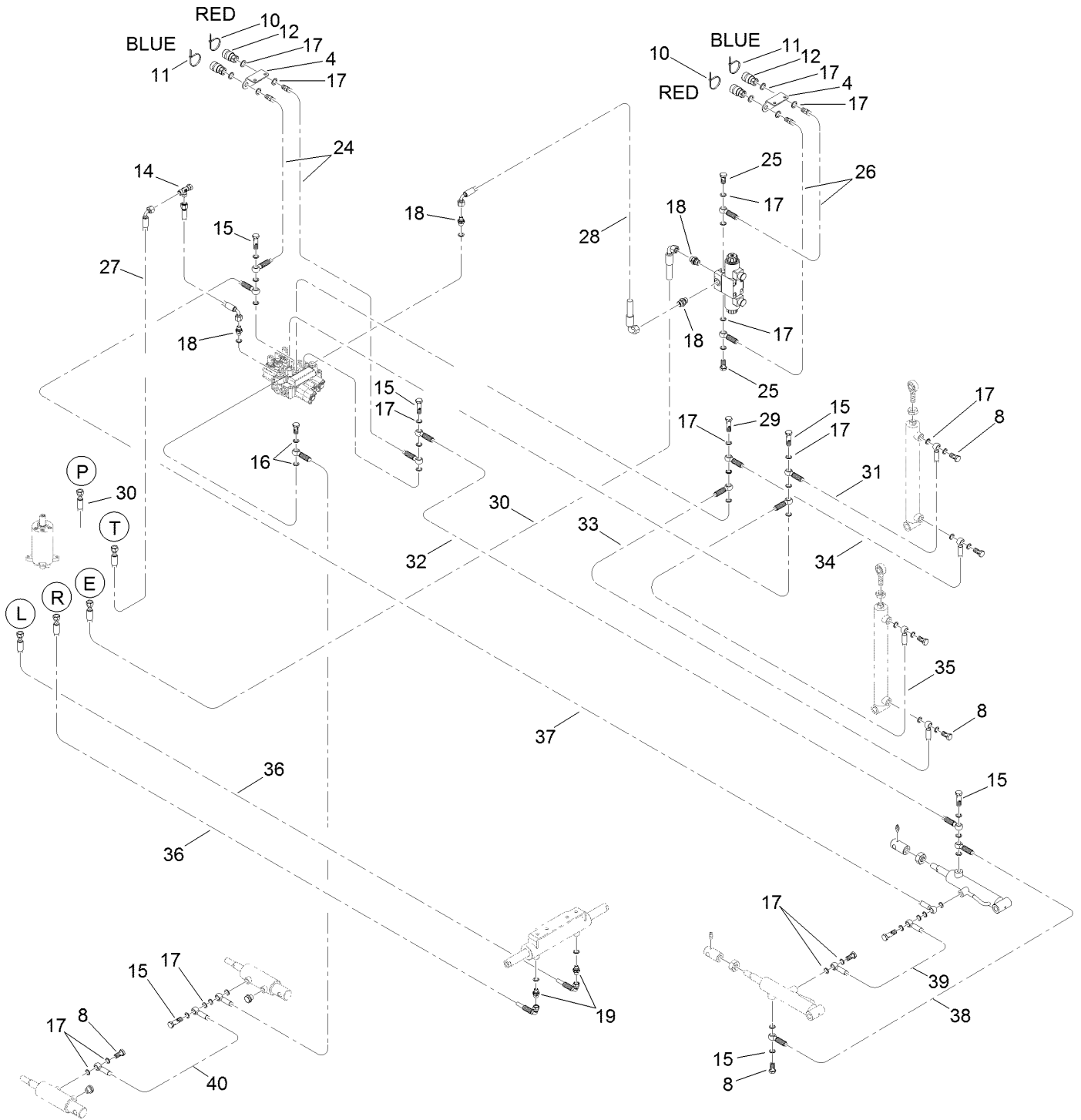
Lift Arms Assembly



Lift Arms Assembly (continued)

<i>Ref.</i>	<i>Part Number</i>	<i>Qty.</i>	<i>Description</i>	<i>Ref.</i>	<i>Part Number</i>	<i>Qty.</i>	<i>Description</i>
1	134-0693	2	Pin	16	134-1047	4	Washer
2	134-0695	1	Spring	17	134-1065	3	Fitting-Grease
3	134-0710	1	Bushing	18	134-1075	2	Screw
4	134-0838	2	Cylinder-HYD, Deck Lift	19	134-1081	3	Nut
5	134-0852	1	Arm-Lift, RH	20	134-1098	1	Pin-Spring
6	134-0853	1	Arm-Lift, LH	21	134-1121	1	Screw
7	134-0881	1	Lever	22	134-1131	1	Pin-Spring
8	134-0899	2	Bushing	23	134-1136	1	Plug-Spirol
9	134-0902	1	Plate-Small	24	134-1153	1	Cap-Breather
10	134-0915	1	Pin	25	134-1187	3	Bushing
11	134-0930	1	Support	27	134-0561	1	Nut
12	134-0977	2	Washer-Plastic	28	134-3048	1	Lift Arm ASM LH
13	134-0990	1	Washer-Rubber	29	134-3046	1	Lift Arm ASM RH
14	134-1019	1	Screw	30	134-3115	1	Nut
15	134-1046	3	Washer				

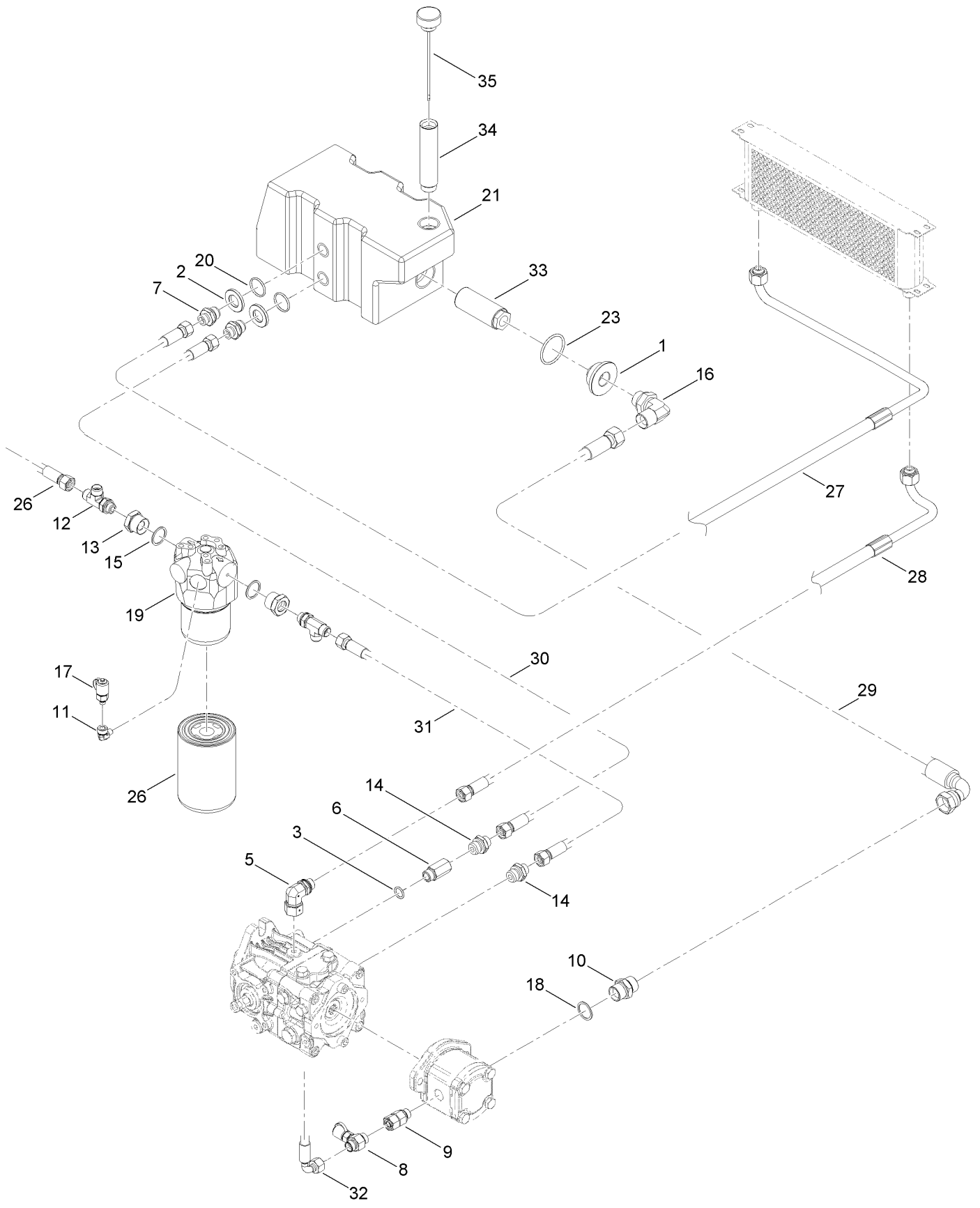
Lubrication Service Assembly



Lubrication Service Assembly (continued)

<i>Ref.</i>	<i>Part Number</i>	<i>Qty.</i>	<i>Description</i>	<i>Ref.</i>	<i>Part Number</i>	<i>Qty.</i>	<i>Description</i>
4	134-0960	2	Bracket	27	134-3052	1	Hydraulic Hose
8	134-1102	4	Screw	28	134-3053	1	Hydraulic Hose
10	134-1169	2	Clamp	29	134-3055	2	Screw
11	134-1170	2	Clamp	30	134-3056	2	Hydraulic Hose
12	134-1206	2	Coupler-Quick, Female	31	134-3057	1	Hydraulic Hose
14	134-1218	1	Adaptor-90 DEG	32	134-3059	1	Hydraulic Hose
15	134-1245	6	Screw	33	134-3060	1	Hydraulic Hose
16	134-1247	1	Fitting-Reducer	34	134-3061	2	Hydr Pipe 3/16 950
17	134-1255	13	Washer	35	134-3062	1	Hydraulic Hose
18	134-1266	4	Fitting-Nipple	36	134-3063	2	Hydraulic Hose
19	134-1270	1	Fitting-Nipple	37	134-3064	1	Hydraulic Hose
24	134-3049	1	Hydraulic Hose	38	134-3065	1	Hydraulic Hose
25	134-3050	3	Screw	39	134-3066	1	Hydraulic Hose
26	134-3051	1	Hydraulic Hose	40	134-3067	1	Hydraulic Hose

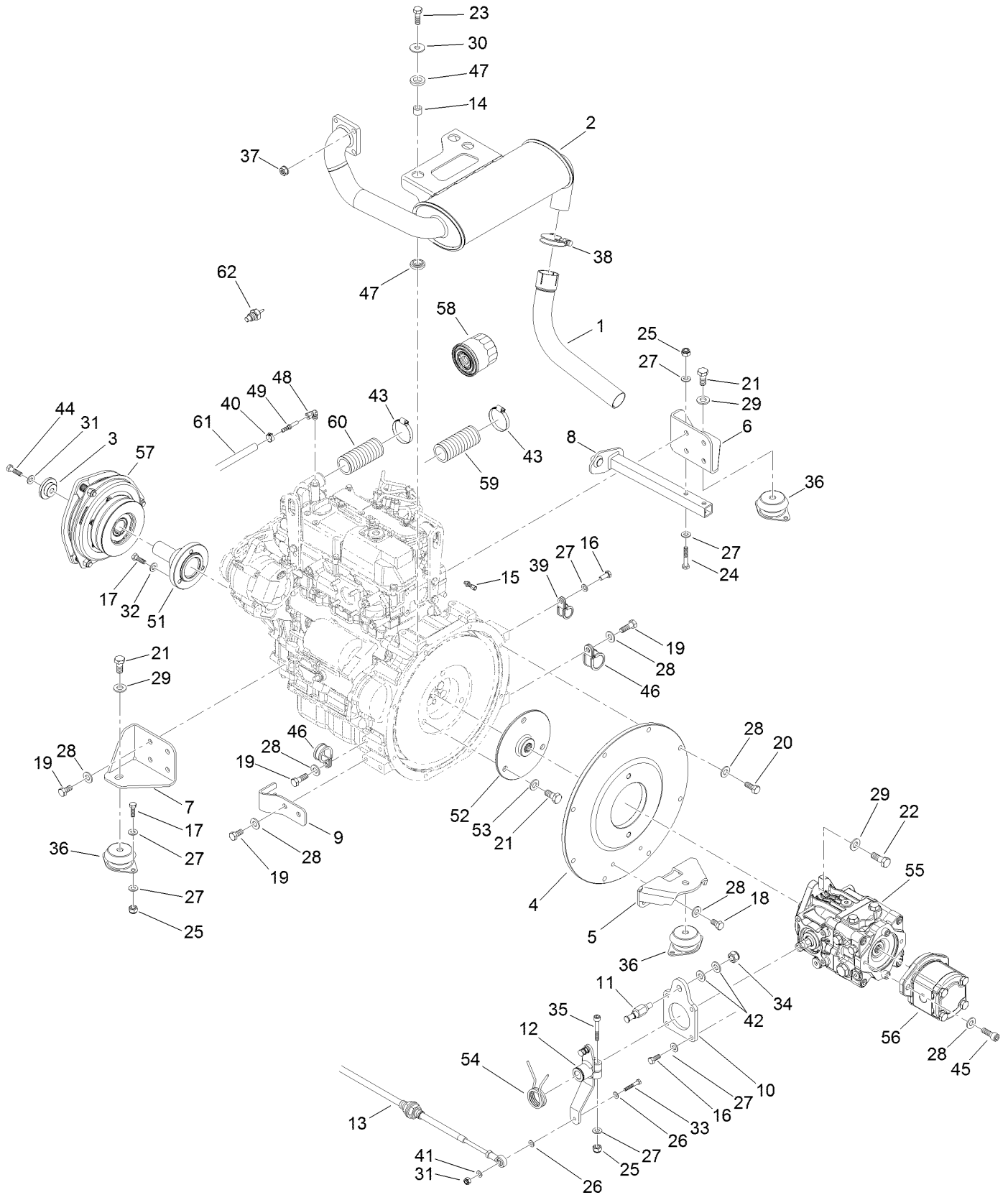
Oil Filter System Assembly



Oil Filter System Assembly (continued)

<i>Ref.</i>	<i>Part Number</i>	<i>Qty.</i>	<i>Description</i>	<i>Ref.</i>	<i>Part Number</i>	<i>Qty.</i>	<i>Description</i>
1	134-0820	1	Support-Filter, Oil	18	134-1332	1	Washer
2	134-0887	1	Washer	19	134-1336	1	Filter ASM
3	134-1032	1	O-Ring	20	134-0569	1	O-Ring
5	134-1211	1	Adaptor-90 DEG	21	134-0635	1	Tank-Oil
6	134-1212	1	Valve-One Direction Only	23	134-0617	1	O-Ring
7	134-1213	1	Fitting-Nipple	26	134-1368	1	Element-Filter , Hydraulic
8	134-1214	1	Adaptor-90 DEG	27	134-3070	1	Hydraulic Hose
9	134-1215	1	Adaptor-90 DEG	28	134-3071	1	Hydraulic Hose
10	134-1216	1	Fitting	29	134-3072	1	Hydraulic Hose
11	134-1217	1	Adaptor-90 DEG	30	134-3073	1	Hydraulic Hose
12	134-1218	1	Adaptor-90 DEG	31	134-3074	1	Hydraulic Hose
13	134-1219	1	Fitting-Reducer	32	134-3056	1	Hydraulic Hose
14	134-1220	2	Fitting-Nipple	33	134-3123	1	Filter-Tank, Hydraulic
15	134-1256	1	Washer	34	134-0786	1	Extension
16	134-1275	1	Adaptor-90 DEG	35	134-1210	1	Cap-Oil
17	134-1331	1	Fitting-Reducer				

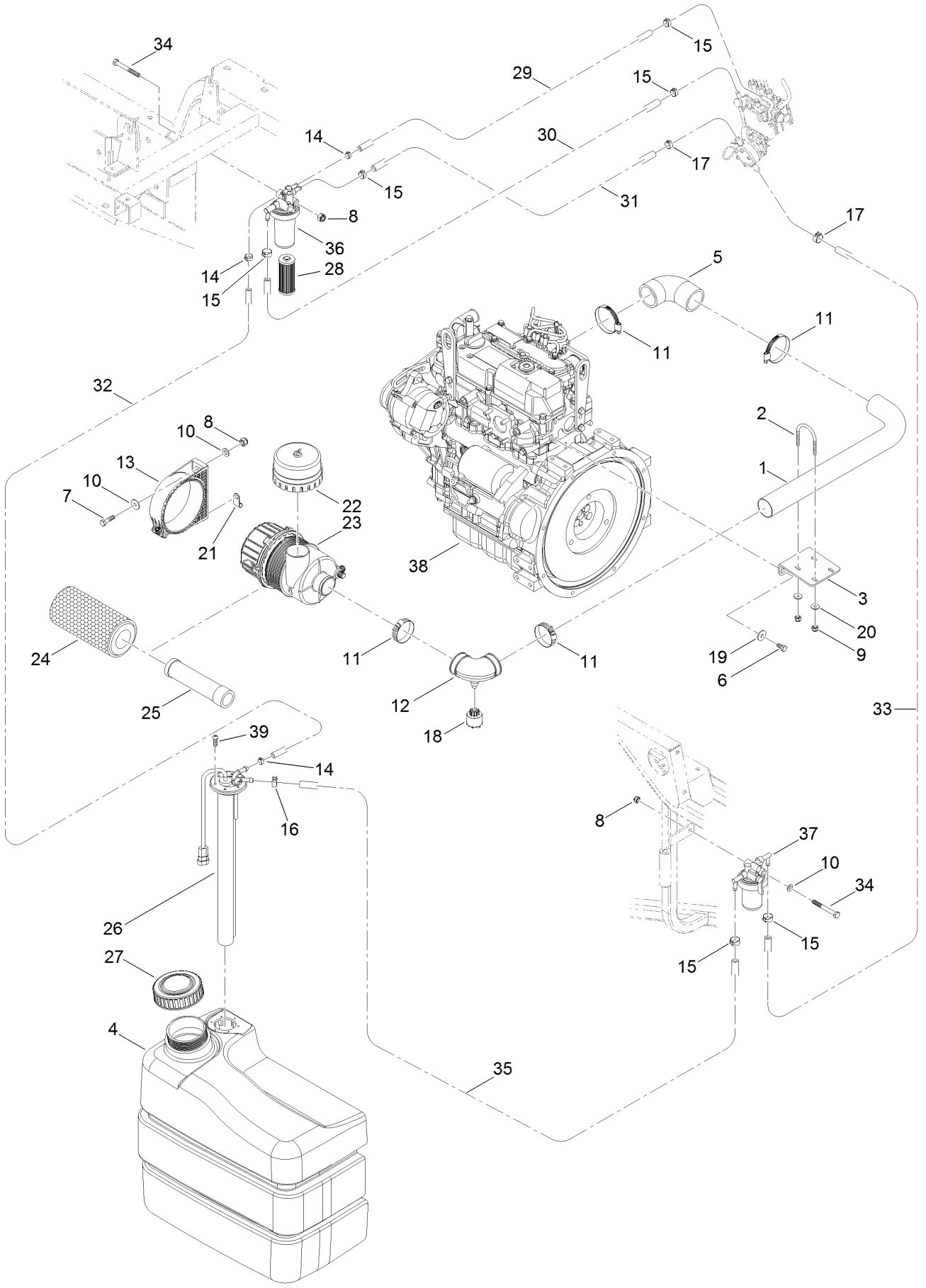
Engine, Pump and Friction Assembly



Engine, Pump and Friction Assembly (continued)

<i>Ref.</i>	<i>Part Number</i>	<i>Qty.</i>	<i>Description</i>	<i>Ref.</i>	<i>Part Number</i>	<i>Qty.</i>	<i>Description</i>
1	134-0781	1	Pipe-Exhaust	32	134-1054	1	Washer
2	134-0785	1	Muffler	33	134-1069	1	Screw
3	134-0819	1	Bushing	34	134-1079	1	Nut
4	134-0821	1	Flange	35	134-1120	1	Screw
5	134-0822	1	Support-Engine	36	134-1157	3	Shock Absorber
6	134-0823	1	Support-Engine	37	134-1166	1	Nut
7	134-0824	1	Support-Engine	38	134-1195	1	Clamp
8	134-0830	1	Stop-Clutch	39	134-1197	1	Clamp
9	134-0844	1	Support	40	134-1201	1	Clamp
10	134-0847	1	Bracket	41	134-1234	1	Washer
11	134-0848	1	Shaft-Neutral, Hydrostat	42	134-1237	1	Washer-Belleville
12	134-0849	1	Lever-Forward, Pedal	43	134-1277	1	Clamp
13	134-0854	1	Cable-Forward	44	134-1301	1	Screw
14	134-0862	1	Spacer	45	134-1306	1	Screw
15	134-0867	1	Adjuster	46	134-1321	2	Clamp
16	134-1011	2	Screw	47	134-1325	2	Shock Absorber
17	134-1015	2	Screw	48	134-1333	1	Adaptor-90 DEG
18	134-1016	1	Screw	49	134-1334	2	Fitting
19	134-1017	4	Screw	51	134-0629	1	Shaft-Drive
20	134-1018	1	Screw	52	134-0633	1	Joint
21	134-1020	3	Screw	53	134-0591	1	Washer
22	134-1021	1	Screw	54	134-0638	1	Spring-Return
23	134-1023	1	Screw	55	134-0580	1	Pump-Drive
24	134-1029	1	Screw	56	134-0583	1	Pump-Gear, Hydraulic
25	134-1038	3	Nut	57	134-0578	1	Clutch
26	134-1044	2	Washer	58	135-4181	1	Filter-Oil, Engine
27	134-1045	7	Washer	59	134-2977	1	Pipe
28	134-1046	7	Washer	60	134-2976	1	Pipe
29	134-1047	3	Washer	61	134-2978	1	Pipe
30	134-1048	1	Washer	62	134-3128	1	Sensor-Temperature
31	134-1051	2	Washer				

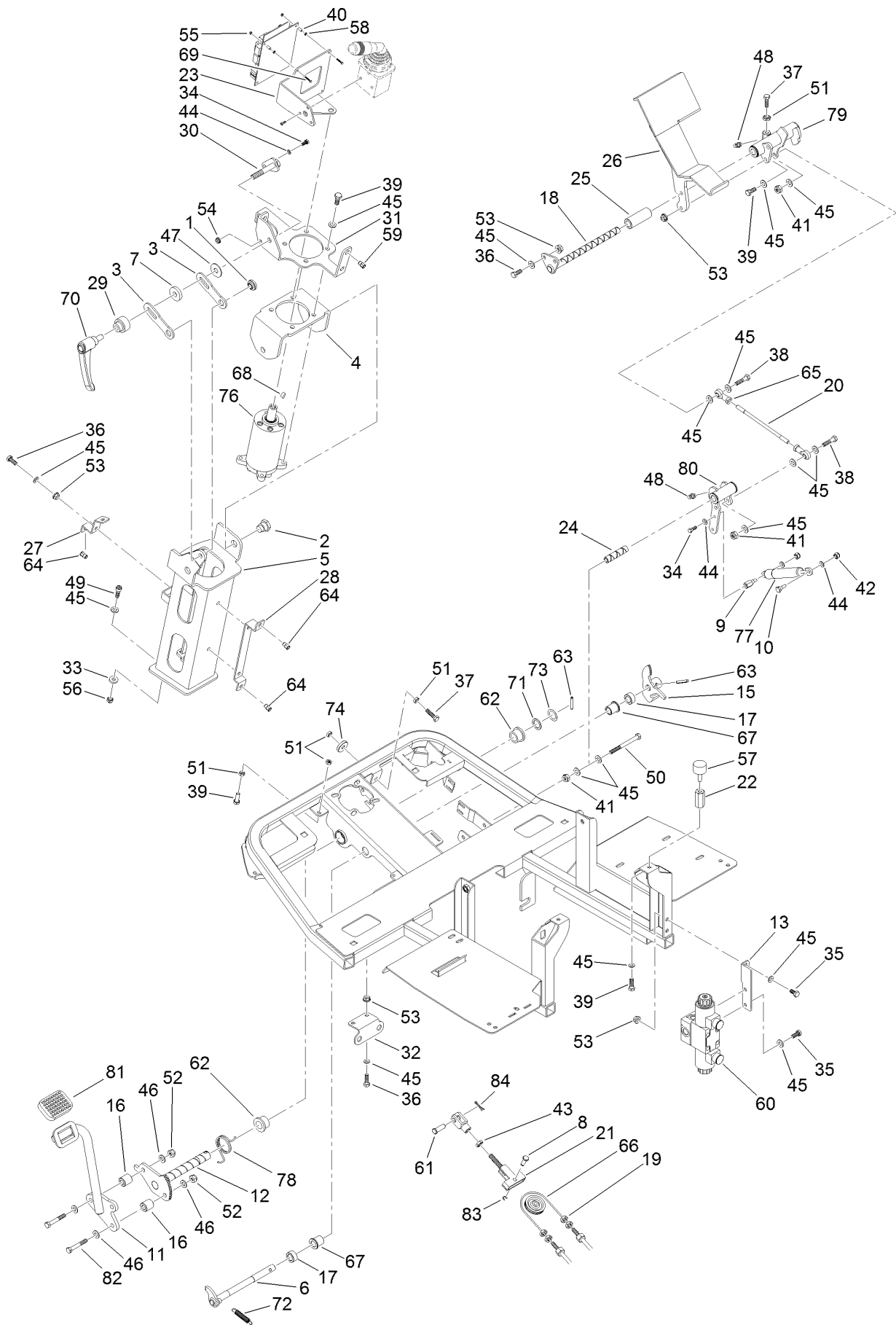
Engine, Fuel and Suction Assembly



Engine, Fuel and Suction Assembly (continued)

<i>Ref.</i>	<i>Part Number</i>	<i>Qty.</i>	<i>Description</i>	<i>Ref.</i>	<i>Part Number</i>	<i>Qty.</i>	<i>Description</i>
1	134-0788	1	Tube-Suction, Engine	21	134-1348	1	Grommet
2	134-0790	1	U-Bolt	22	134-0567	1	Prefilter-Air
3	134-0804	1	Bracket	23	134-0575	1	Filter-Air
4	134-1989	1	Tank-Fuel	24	134-0574	1	Cartridge-Filter
5	134-0889	1	Tube-Suction, Engine	25	134-0576	1	Element-Air Filter, Inner
6	134-1010	1	Screw	26	134-0573	1	Float
7	134-1012	1	Screw	27	134-1988	1	Cap-Tank, Diesel
8	134-1038	2	Nut	28	134-3085	2	Element-Filter, Fuel
9	134-1042	1	Nut	29	134-3078	1	Pipe
10	134-1045	4	Washer	30	134-3079	1	Pipe
11	134-1103	4	Clamp	31	134-3080	1	Pipe
12	134-1176	1	Manifold	32	134-3081	1	Pipe
13	134-1177	1	Clamp	33	134-3082	1	Pipe
14	134-1200	2	Clamp	34	134-3083	2	Screw
15	134-1201	7	Clamp	35	134-3084	1	Pipe
16	134-1202	1	Clamp	36	134-1447	1	Fuel Filter ASM
17	134-1203	2	Clamp	37	134-1509	1	Water Separator ASM
18	134-1228	1	Indicator-Filter, Air	38	134-3116	1	Engine-Yanmar
19	134-1233	1	Washer	39	134-1312	4	Screw
20	134-1234	1	Washer				

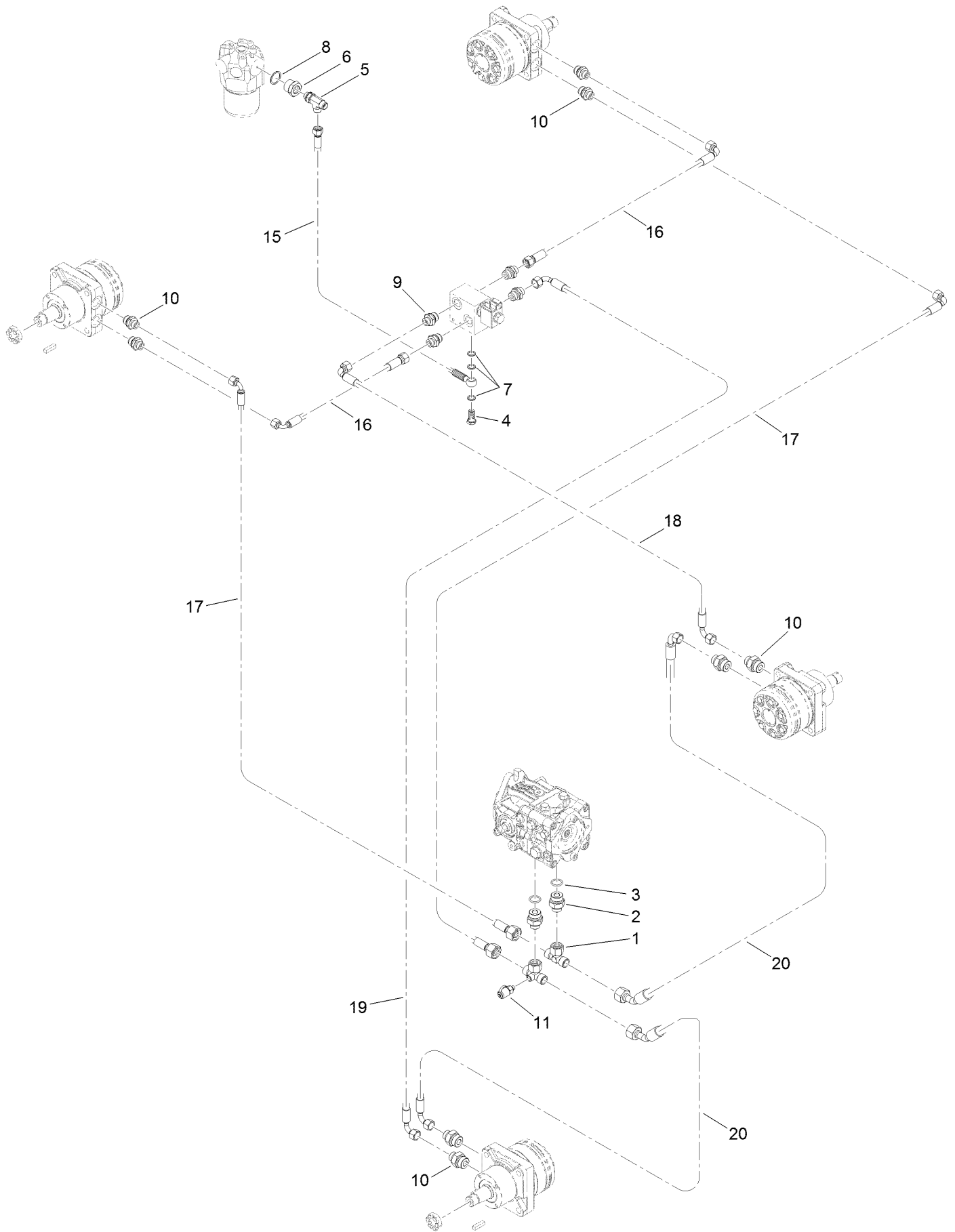
Operator Platform Assembly



Operator Platform Assembly (continued)

<i>Ref.</i>	<i>Part Number</i>	<i>Qty.</i>	<i>Description</i>	<i>Ref.</i>	<i>Part Number</i>	<i>Qty.</i>	<i>Description</i>
1	134-0703	1	Bushing	43	134-1043	1	Nut
2	134-0705	1	Pin	44	134-1044	3	Washer
3	134-0706	2	Rod-Connecting	45	134-1045	16	Washer
4	134-0707	1	Hinge	46	134-1046	3	Washer
5	134-0708	1	Column-Steering	47	134-1048	1	Washer
6	134-0716	1	Camshaft	48	134-1065	2	Fitting-Grease
7	134-0746	1	Spacer	49	134-1068	1	Screw
8	134-0750	1	Pin	50	134-1073	1	Screw
9	134-0756	1	Pin	51	134-1078	4	Nut
10	134-0757	1	Pin	52	134-1081	2	Nut
11	134-0789	1	Pedal-Brake	53	134-1082	5	Nut
12	134-0791	1	Pedal-Brake	54	134-1084	1	Nut
13	134-0836	1	Bracket	55	134-1085	1	Nut
15	134-0846	1	Lock-Brake	56	134-1092	1	Nut
16	134-0888	2	Spacer	57	134-1163	1	Pad-Rubber
17	134-0894	2	Spacer	58	134-1167	1	Nut
18	134-0896	1	Pin	59	134-1194	1	Insert-Threaded
19	134-0898	1	Cable-Brake	60	134-1209	1	Valve-Electric
20	134-0907	1	Lever-Valve, Aux	61	134-1242	1	Pin
21	134-0910	1	Fork	62	134-1249	2	Bushing
22	134-0912	1	Column	63	134-1254	2	Plug-Spirol
23	134-0929	1	Support	64	134-1257	3	Insert-Threaded
24	134-0934	1	Bushing	65	134-1259	1	Head-Cylinder
25	134-0938	1	Spacer	66	134-1263	1	Pulley
26	134-0940	1	Pedal-Forward/Reverse	67	134-1264	2	Bushing
27	134-0942	1	Bracket	68	134-1272	1	Key-Shaft
28	134-0943	1	Bracket	69	134-1313	1	Screw
29	134-0948	1	Bushing	70	134-1322	1	Handlesteering Column
30	134-0949	1	Screw	71	134-1323	1	Spacer
31	134-0957	1	Support	72	134-1353	1	Spring
32	134-0960	1	Bracket	73	134-1354	1	Spacer
33	134-0997	1	Washer	74	134-1355	1	Washer
34	134-1008	2	Screw	76	134-0581	1	Drive-Hydraulic
35	134-1010	2	Screw	77	134-0594	1	Absorber-Shock
36	134-1011	3	Screw	78	134-0634	1	Spring-Pedal, Brake
37	134-1013	2	Screw	79	134-3087	1	Traction Pedal Pin
38	134-1014	2	Screw	80	134-3088	1	Pedal Comp
39	134-1015	4	Screw	81	134-3089	1	Dust Cap
40	134-1031	1	Bushing-Nylon	82	134-3090	1	Screw
41	134-1038	3	Nut	83	134-3091	1	Ring Snap
42	134-1042	1	Nut	84	134-2957	1	Pin-Split

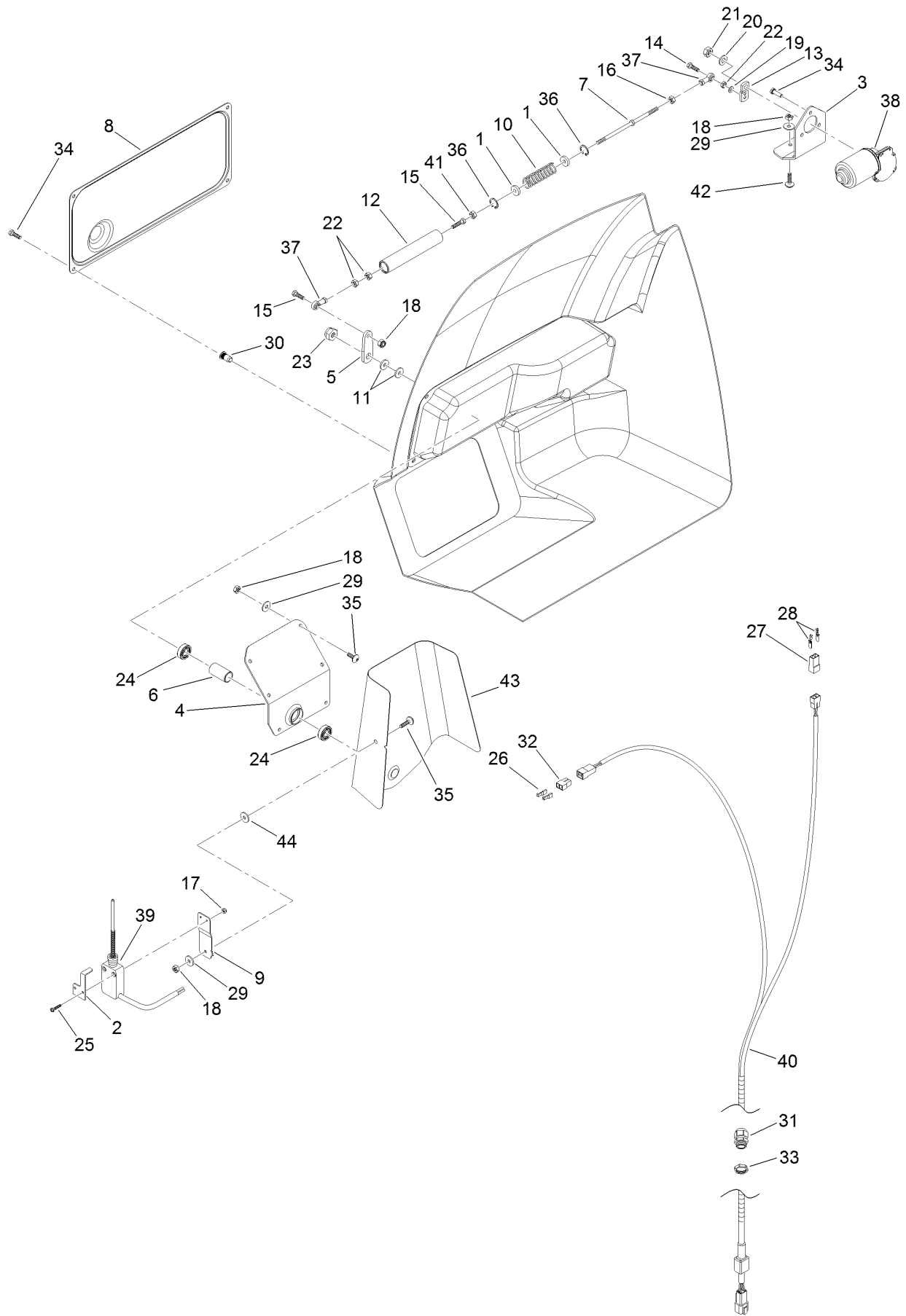
Oil System Motors Assembly



Oil System Motors Assembly (continued)

<i>Ref.</i>	<i>Part Number</i>	<i>Qty.</i>	<i>Description</i>	<i>Ref.</i>	<i>Part Number</i>	<i>Qty.</i>	<i>Description</i>
1	134-0754	1	Fitting-Adapter, T	10	134-1329	4	Fitting-Nipple
2	134-0855	1	Fitting	11	134-1331	1	Fitting-Reducer
3	134-1064	1	O-Ring	15	134-3093	1	Hydraulic Hose
4	134-1102	1	Screw	16	134-3094	2	Hydraulic Hose
5	134-1218	1	Adaptor-90 DEG	17	134-3096	2	Hydraulic Hose
6	134-1219	1	Fitting-Reducer	18	134-3097	1	Hydraulic Hose
7	134-1255	2	Washer	19	134-3099	1	Hydraulic Hose
8	134-1256	1	Washer	20	134-3100	2	Hydraulic Hose
9	134-1267	1	Fitting				

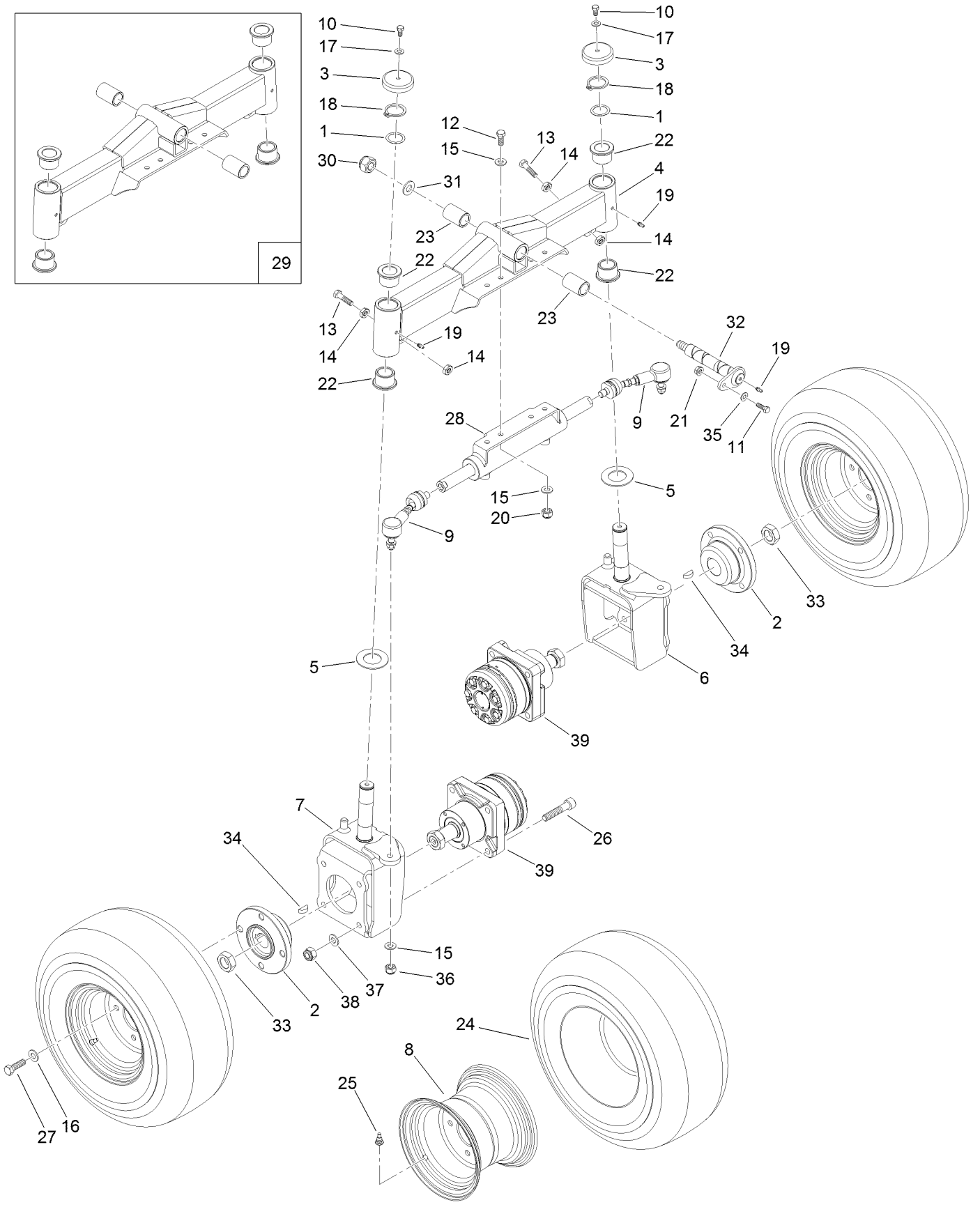
Road Basket Assembly



Road Basket Assembly (continued)

<i>Ref.</i>	<i>Part Number</i>	<i>Qty.</i>	<i>Description</i>	<i>Ref.</i>	<i>Part Number</i>	<i>Qty.</i>	<i>Description</i>
1	134-0691	2	Washer	24	134-1104	2	Bearing
2	134-0700	1	Bracket	25	134-1113	1	Screw
3	134-0766	1	Support-Engine	26	134-1221	1	Cap-Cable End, Female
4	134-0767	1	Support-Spreader	27	134-1222	1	Connector-Electric
5	134-0768	1	Switch-Lights, White	28	134-1225	1	Connector
6	134-0841	1	Spacer	29	134-1234	3	Washer
7	134-0872	1	Rod	30	134-1253	1	Insert-Threaded
8	134-0914	1	Cover	31	134-1278	1	Fitting-Union
9	134-0916	1	Support-Sensor, Catcher	32	134-1288	1	Connector-Electric
10	134-0926	1	Spring	33	134-1292	1	Nut-Plastic
11	134-0998	1	Spacer	34	134-1303	2	Screw
12	134-1002	1	Body	35	134-1304	2	Screw
13	134-1003	1	Rod-Connecting	36	134-0562	1	Circlip
14	134-1009	1	Screw	37	134-0592	1	Head-Joint
15	134-1028	2	Screw	38	134-0595	1	Baffle-Motor
16	134-1039	1	Nut	39	134-0607	1	Microswitch-Full, Grass Catcher
17	134-1040	1	Nut	40	134-0601	1	Wiring-Catcher, Grass
18	134-1042	4	Nut	41	134-3101	1	Nut
19	134-1044	1	Washer	42	134-3102	1	Circlip
20	134-1054	1	Washer	43	134-3103	1	Manifold
21	134-1078	1	Nut	44	134-1237	1	Washer-Belleville
22	134-1080	2	Nut				
23	134-1081	1	Nut				

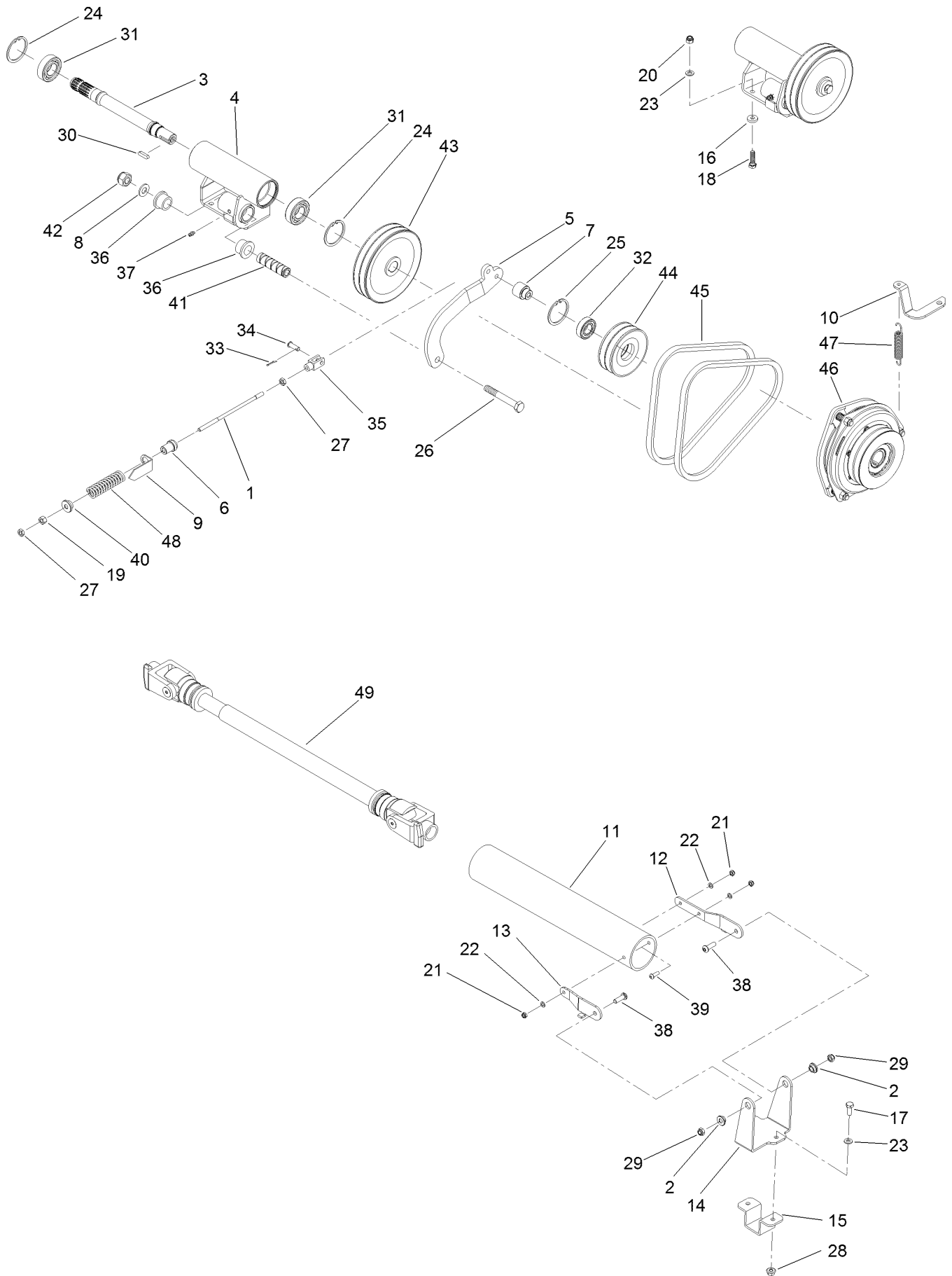
Rear Axle Assembly



Rear Axle Assembly (continued)

<i>Ref.</i>	<i>Part Number</i>	<i>Qty.</i>	<i>Description</i>	<i>Ref.</i>	<i>Part Number</i>	<i>Qty.</i>	<i>Description</i>
1	134-0713	2	Spacer	21	134-1082	1	Nut
2	134-0721	2	Flange	22	134-1188	4	Bushing
3	134-0723	2	Cap	23	134-1189	2	Bushing
4	134-0769	1	Axle-Rear	24	134-1230	1	Tire-Rear
5	134-0770	2	Washer	25	134-1261	1	Valve-Tire
6	134-0774	1	Fork	26	134-1298	8	Screw
7	134-0775	1	Fork	27	134-1305	1	Screw
8	134-0818	1	Rim-Wheel, Rear	28	134-0657	1	Piston-Steering
9	134-0860	1	Articulation	29	134-3104	1	Rear Axle
10	134-1010	2	Screw	30	134-3105	1	Nut
11	134-1015	1	Screw	31	134-2962	1	Washer
12	134-1018	1	Screw	32	134-3106	1	Pin
13	134-1030	1	Screw	33	134-3107	2	Nut
14	134-1043	2	Nut	34	134-3108	2	Key-Feather
15	134-1046	3	Washer	35	134-1045	1	Washer
16	134-1047	1	Washer	36	134-3110	2	Nut
17	134-1054	2	Washer	37	134-0591	8	Washer
18	134-1061	2	Ring-Retaining, Int	38	134-0561	8	Nut
19	134-1065	3	Fitting-Grease	39	134-0667	2	Motor-Hydraulic, Rear
20	134-1079	1	Nut				

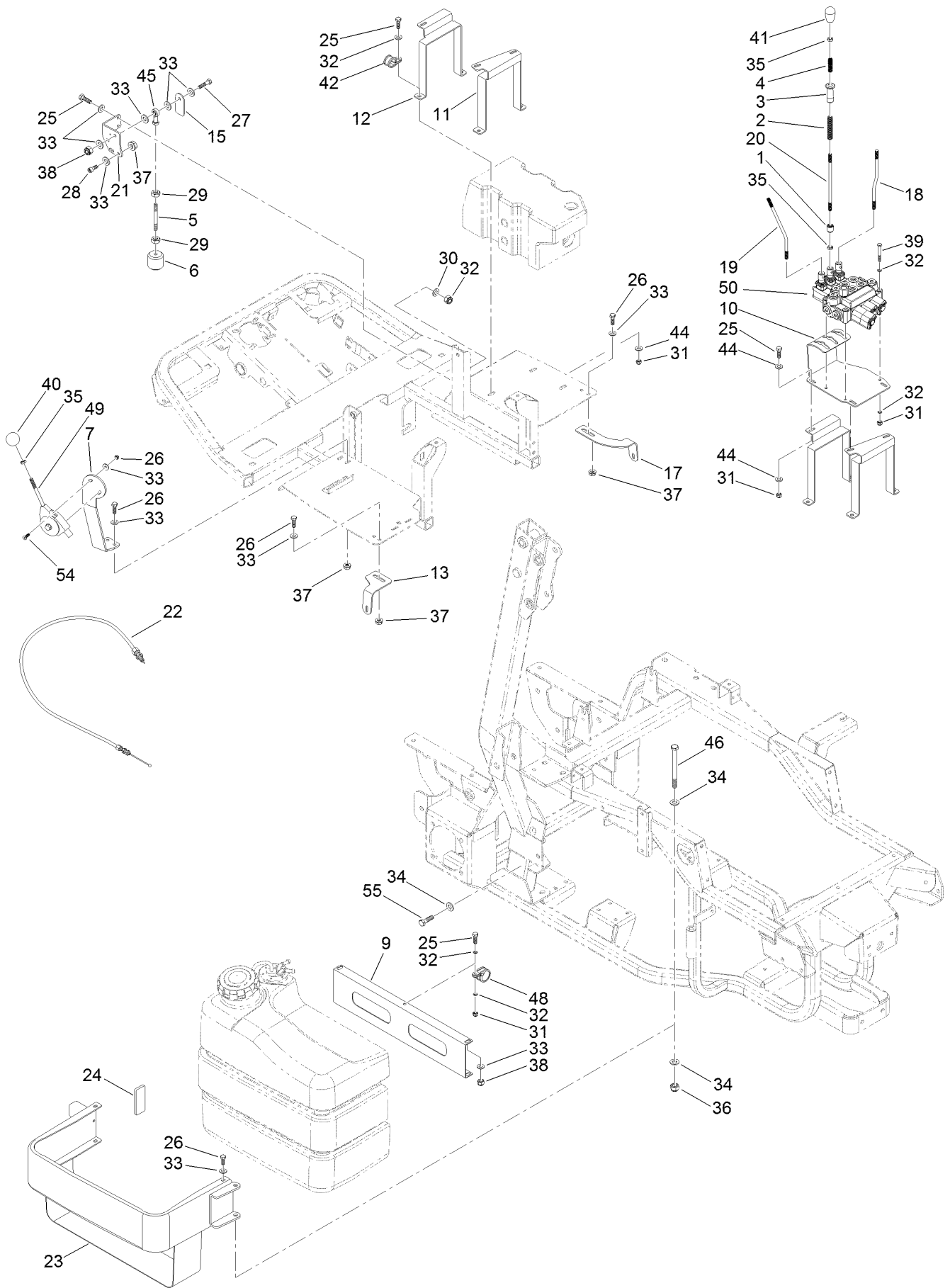
Transmission, PTO and Drive Shaft Assembly



Transmission, PTO and Drive Shaft Assembly (continued)

<i>Ref.</i>	<i>Part Number</i>	<i>Qty.</i>	<i>Description</i>	<i>Ref.</i>	<i>Part Number</i>	<i>Qty.</i>	<i>Description</i>
1	134-0701	1	Rod	26	134-1075	1	Screw
2	134-0729	2	Bushing	27	134-1078	2	Nut
3	134-0779	1	Shaft	28	134-1082	1	Nut
4	134-0780	1	Flange-Dust	29	134-1092	2	Nut
5	134-0782	1	Lever-Belt Tensioner	30	134-1100	1	Key-Shaft
6	134-0783	1	Pin-Guide, Nylon	31	134-1105	2	Bearing
7	134-0784	1	Bushing	32	134-1108	1	Bearing
8	134-0866	1	Washer	33	134-1132	1	Pin-Spring
9	134-0893	1	Spring-Belt Tension Indicator	34	134-1236	1	Pin
10	134-0919	1	Bracket	35	134-1239	1	Fork
11	134-0967	1	Tube-Protector, Polyethylene	36	134-1249	2	Bushing
12	134-0968	1	Bracket	37	134-1258	1	Fitting-Grease
13	134-0969	1	Bracket	38	134-1302	2	Screw
14	134-0970	1	Fork	39	134-1311	1	Screw
15	134-0971	1	Bracket	40	134-1349	1	Guide-Spring
16	134-0997	1	Washer	41	134-1351	1	Spacer
17	134-1011	1	Screw	42	134-0561	1	Nut
18	134-1012	1	Screw	43	134-0622	1	Pulley
19	134-1034	1	Nut	44	134-1365	1	Pulley
20	134-1038	1	Nut	45	134-0577	1	Belt-PTO
21	134-1042	2	Nut	46	134-0578	1	Clutch
22	134-1044	2	Washer	47	134-1359	1	Decal-Attention, Deck Service
23	134-1045	2	Washer	48	134-0618	1	Spring
24	134-1057	2	Ring-Retaining, Int	49	134-0619	1	Joint-Universal
25	134-1058	1	Ring-Retaining, Int				

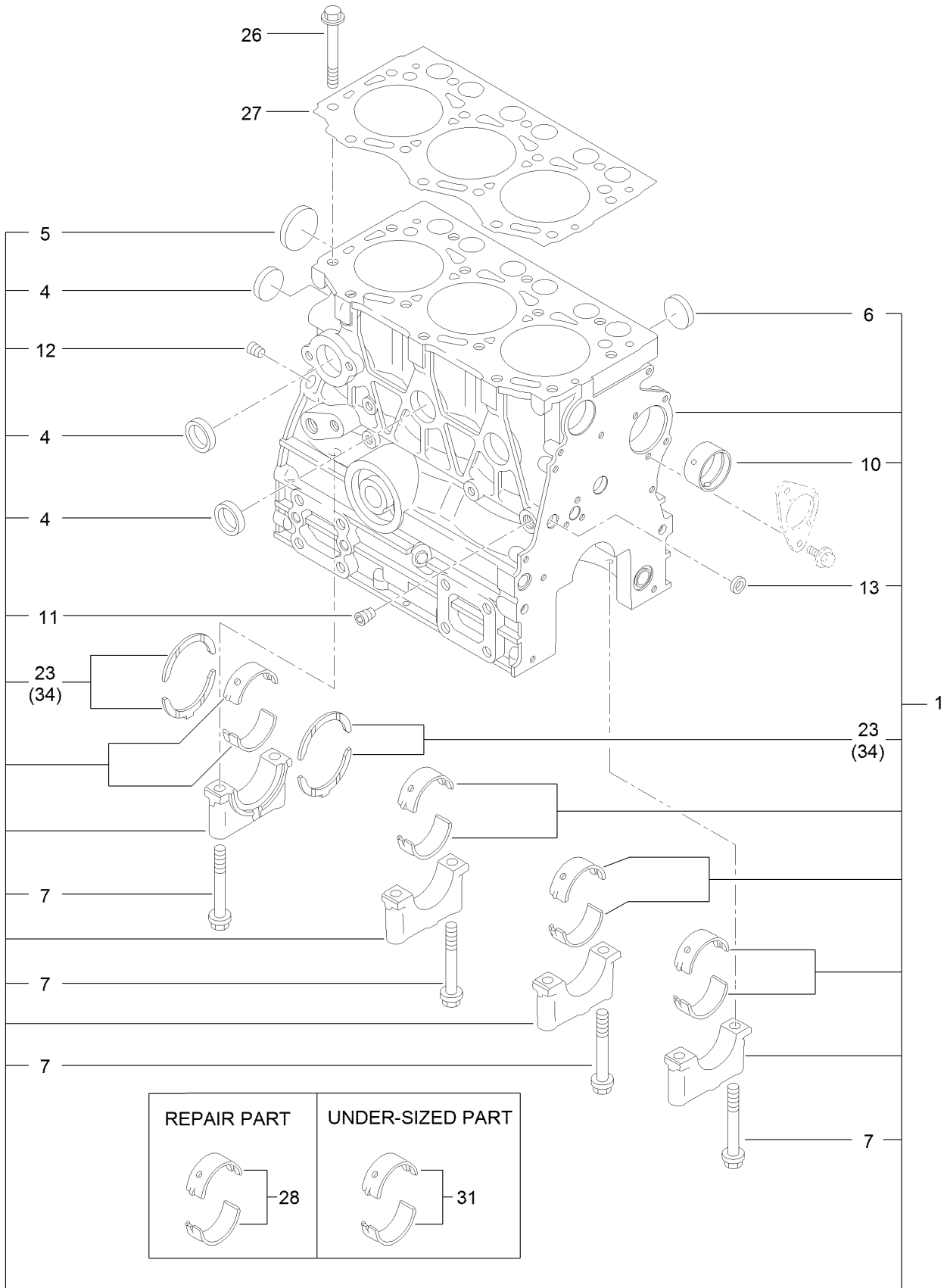
Fuel and Oil Tank Assembly



Fuel and Oil Tank Assembly (continued)

<i>Ref.</i>	<i>Part Number</i>	<i>Qty.</i>	<i>Description</i>	<i>Ref.</i>	<i>Part Number</i>	<i>Qty.</i>	<i>Description</i>
1	134-0696	1	Connector	28	134-1026	1	Screw
2	134-0697	1	Spring	29	134-1034	2	Nut
3	134-0698	1	Knob	30	134-1041	1	Nut
4	134-0699	1	Spring	31	134-1042	4	Nut
5	134-0735	1	Rod	32	134-1044	6	Washer
6	134-0736	1	Rocker	33	134-1045	11	Washer
7	134-0772	1	Support-Throttle	34	134-1046	3	Washer
9	134-0787	1	Rail-Cross	35	134-1078	3	Nut
10	134-0792	1	Support-Valve, Aux	36	134-1079	1	Nut
11	134-0794	1	Clamp-Band	37	134-1082	4	Nut
12	134-0795	1	Clamp-Band	38	134-1092	2	Nut
13	134-0828	1	Bracket	39	134-1118	1	Screw
15	134-0845	1	Support-Lock, Diff	40	134-1146	1	Ball
17	134-0895	1	Bracket	41	134-1179	1	Knob
18	134-0905	1	Lever-Valve, Aux	42	134-1197	1	Clamp
19	134-0906	1	Lever-Valve, Aux	44	134-1234	3	Washer
20	134-0907	1	Lever-Valve, Aux	45	134-1259	1	Head-Cylinder
21	134-0952	1	Bracket	46	134-1295	1	Screw
22	134-0953	1	Cable	48	134-1318	1	Clamp
23	134-0959	1	Support-Tank, Fuel	49	134-0568	1	Lever-Throttle
24	134-0982	1	Grommet-Rubber, Tank	50	134-0582	1	Distributor
25	134-1009	4	Screw	54	134-3111	1	Screw
26	134-1011	5	Screw	55	134-3112	1	Screw
27	134-1014	1	Screw				

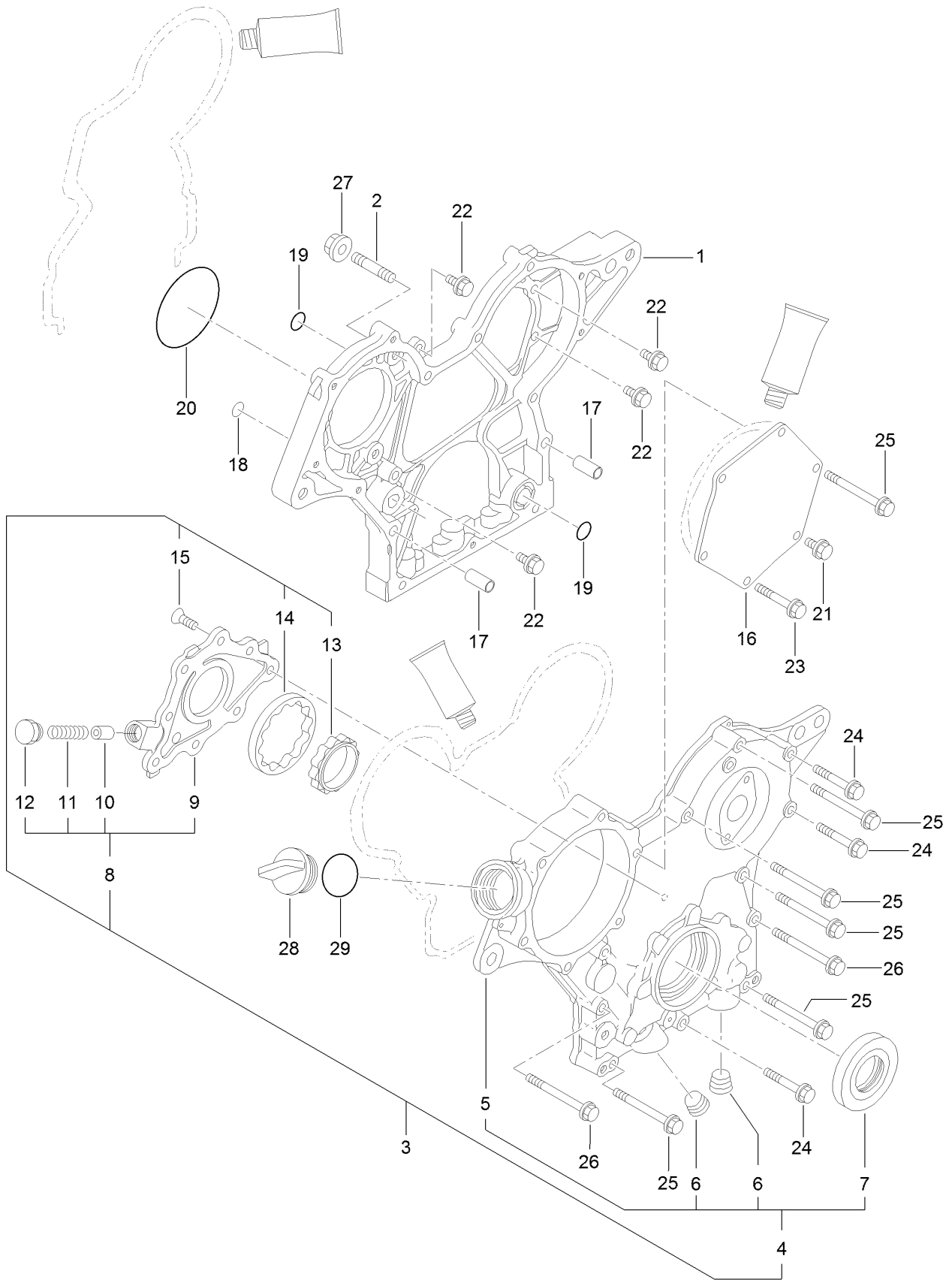
Cylinder Block Assembly



Cylinder Block Assembly (continued)

<i>Ref.</i>	<i>Part Number</i>	<i>Qty.</i>	<i>Description</i>	<i>Ref.</i>	<i>Part Number</i>	<i>Qty.</i>	<i>Description</i>
1	134-1542	1	Cylinder Block ASM	13	125-7237	1	Plug
4	135-4031	4	Plug-Cup	23	135-4036	2	Thrust Bearing ASM
5	135-4032	1	Plug-Dish	26	135-4037	14	Bolt-Head, Cylinder
6	135-4033	3	Plug-Cup	27	134-1396	1	Gasket-Head
7	135-4034	8	Bolt-Cap, Metal	28	135-4039	4	Main Bearing ASM
10	135-4035	1	Bushing-Camshaft	31	135-4040	4	Main Bearing ASM
11	125-6969	1	Plug	34	135-4041	2	Bearing-Thrust
12	125-6973	1	Plug				

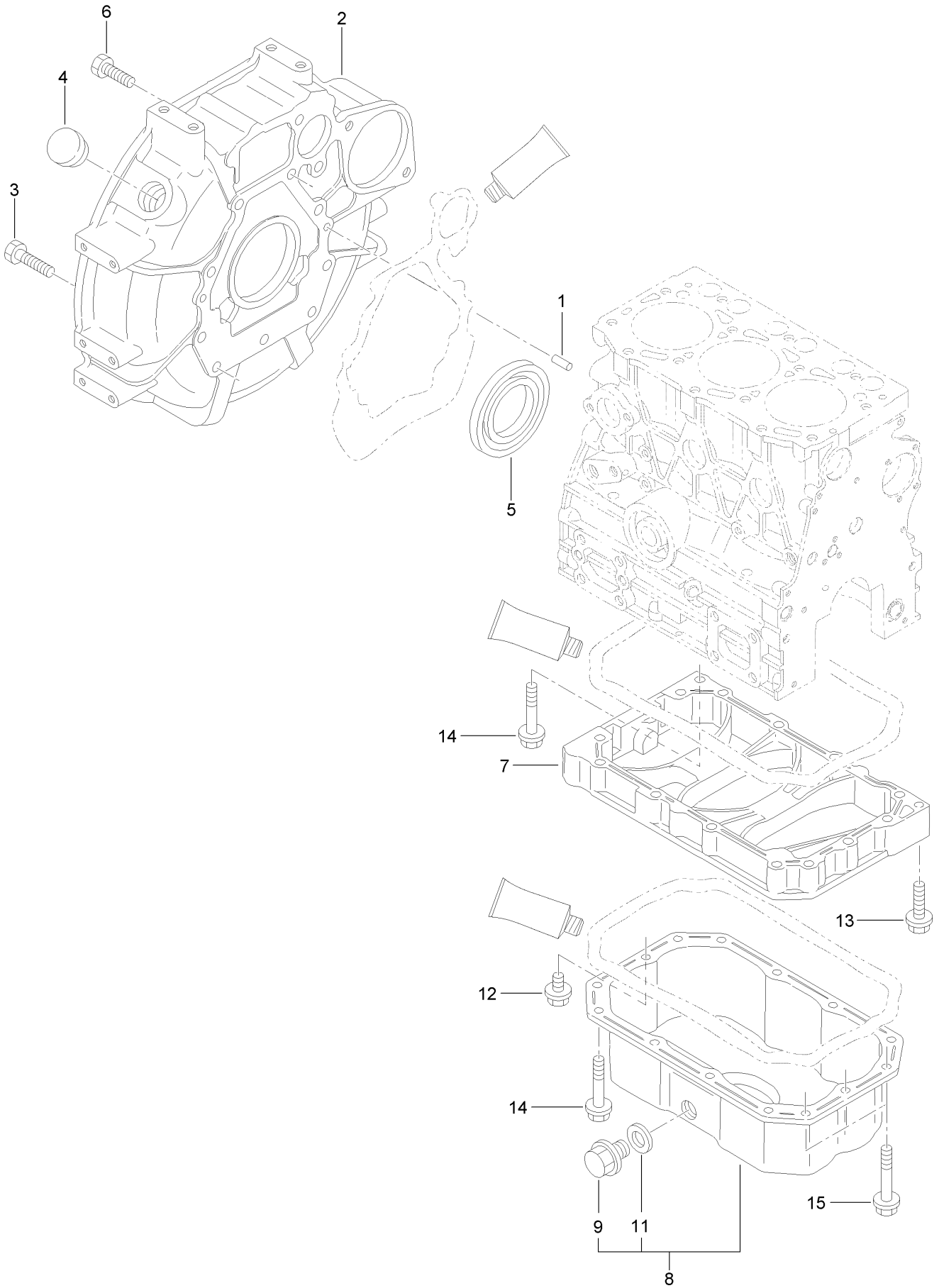
Gear Housing Assembly



Gear Housing Assembly (continued)

<i>Ref.</i>	<i>Part Number</i>	<i>Qty.</i>	<i>Description</i>	<i>Ref.</i>	<i>Part Number</i>	<i>Qty.</i>	<i>Description</i>
1	135-4042	1	Case-Gear	15	135-4055	8	Screw
2	135-4043	3	Bolt-Stud	16	135-4056	1	Cover-Pump
3	135-4044	1	Complete Gear Case Cover ASM	17	135-4057	4	Dowel-Pipe
4	135-4045	1	Gear Case Cover ASM	18	127-2973	1	O-Ring
5	135-4046	1	Cover-Case, Gear	19	135-4058	3	O-Ring
6	133-6798	2	Plug	20	125-6957	1	O-Ring
7	135-4047	1	Seal-Oil	21	125-7206	1	Bolt
8	135-4048	1	Cover ASM	22	125-7208	4	Bolt
9	135-4049	1	Cover-Pump	23	125-7211	4	Bolt
10	135-4050	1	Valve-Relief	24	125-7211	3	Bolt
11	135-4051	1	Spring	25	135-4059	7	Bolt
12	135-4052	1	Plug	26	136-8257	2	Bolt
13	135-4053	1	Rotor-Inner	27	125-7229	3	Nut
14	135-4054	1	Rotor-Outer	28	125-6972	1	Cover-Filler
				29	125-7197	1	O-Ring

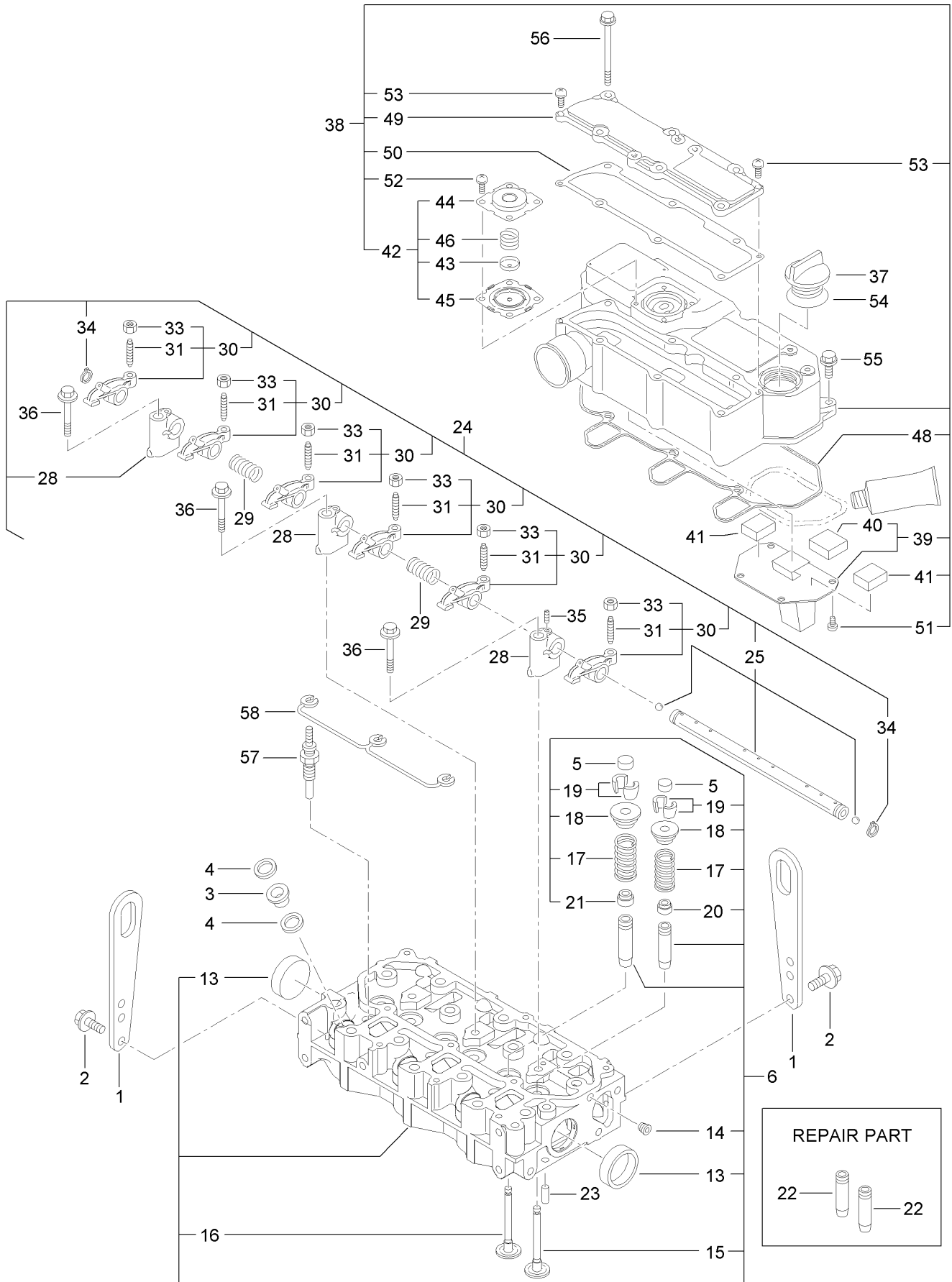
Flywheel Housing and Oil Sump Assembly



Flywheel Housing and Oil Sump Assembly (continued)

<i>Ref.</i>	<i>Part Number</i>	<i>Qty.</i>	<i>Description</i>	<i>Ref.</i>	<i>Part Number</i>	<i>Qty.</i>	<i>Description</i>
1	125-6995	2	Pin	8	134-1398	1	Oil Pan ASM
2	134-1397	1	Housing-Flywheel	9	135-4068	1	Plug
3	134-1457	3	Bolt	11	136-8236	1	Washer-Seal
4	125-6910	1	Cap	12	125-7212	1	Bolt
5	134-1463	1	Seal-Oil	13	125-7216	1	Bolt
6	125-7226	8	Bolt	14	125-7219	33	Bolt
7	135-4066	1	Spacer-Pan, Oil	15	125-7220	1	Bolt

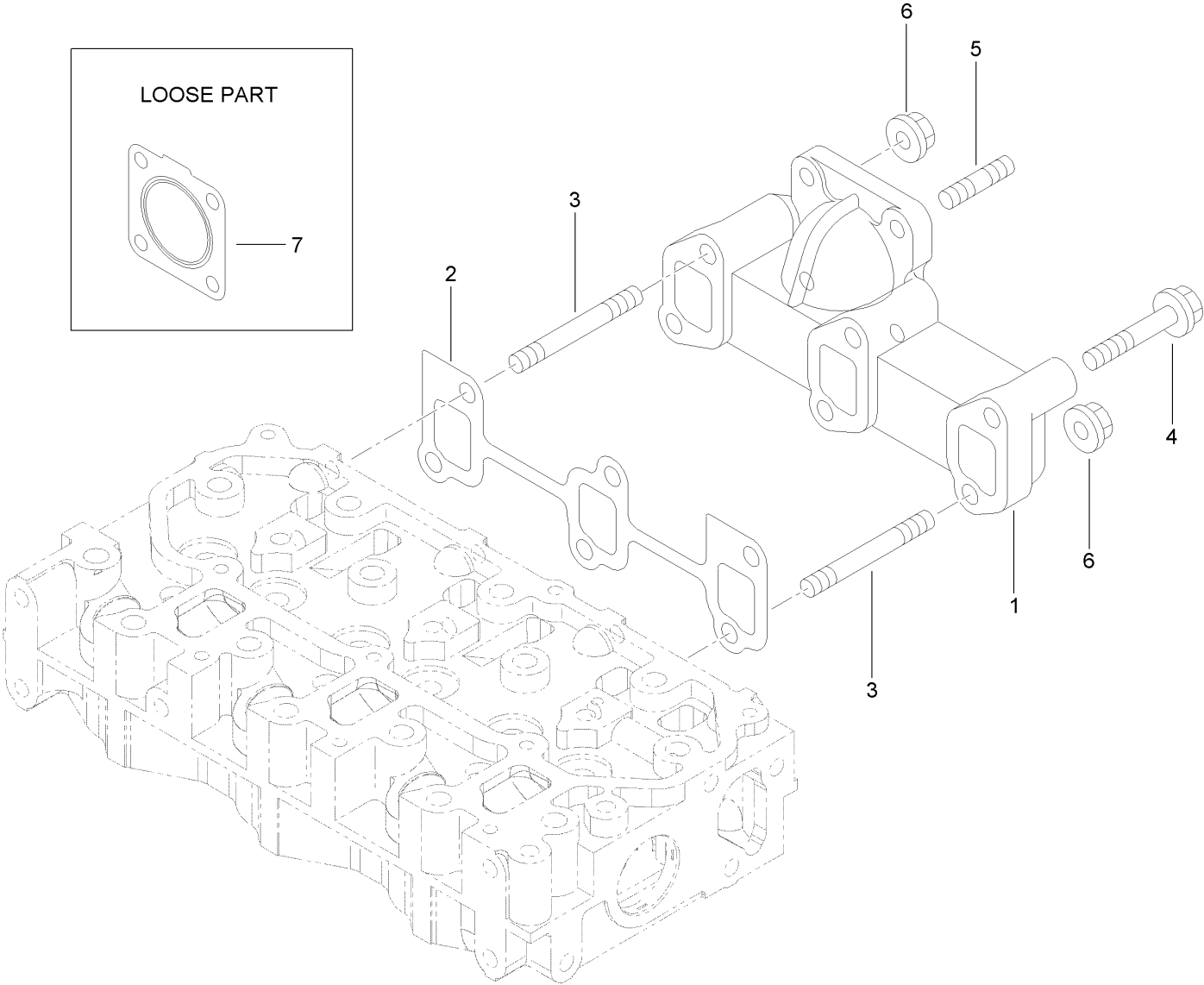
Cylinder Head and Cover Assembly



Cylinder Head and Cover Assembly (continued)

<i>Ref.</i>	<i>Part Number</i>	<i>Qty.</i>	<i>Description</i>	<i>Ref.</i>	<i>Part Number</i>	<i>Qty.</i>	<i>Description</i>
1	125-7111	2	Lifter	35	135-4083	1	Screw
2	125-7214	4	Bolt	36	125-7218	3	Bolt
3	135-4069	3	Protector-Nozzle	37	125-6972	1	Cover-Filler
4	135-4070	6	Gasket-Nozzle	38	134-1402	1	Cylinder Head Cover ASM
5	135-4071	6	Cap-Valve	39	135-4085	1	Plate-Baffle
6	134-1403	1	Cylinder Head ASM	40	135-4086	1	Baffle-Breather
13	135-4073	2	Plug-Cup	41	135-4086	2	Baffle-Breather
14	133-6797	1	Plug	42	135-4088	1	Diaphragm ASM
15	134-1399	3	Valve-Suction	43	135-4089	1	Plate-Diaphragm
16	134-1400	3	Valve-Exhaust	44	135-4090	1	Cover-Diaphragm
17	135-4076	6	Spring-Valve	45	135-4091	1	Diaphragm
18	125-7054	6	Retainer	46	135-4092	1	Spring-Diaphragm
19	125-6914	12	Cotter	48	135-4093	1	Gasket-Cover, Cylinder Head
20	125-6915	3	Seal-Stem, Valve	49	134-1401	1	Cover-Head, Cylinder
21	125-6916	3	Seal-Stem, Valve	50	135-4095	1	Gasket
22	125-6917	6	Guide	51	125-7186	4	Screw
23	125-7184	2	Pin-Spring	52	125-7186	4	Screw
24	135-4077	1	Rocker Support ASM	53	127-3168	2	Screw
25	135-4078	1	Rocker Shaft ASM	54	125-7197	1	O-Ring
28	135-4079	3	Support-Arm, Rocker	55	125-7209	3	Bolt
29	135-4080	2	Spring-Rocker	56	135-4096	6	Bolt
30	135-4081	6	Rocker Arm ASM	57	134-1442	3	Plug-Glow
31	125-7013	6	Screw-Adjust, Valve	58	134-1443	1	Connector-Plug, Glow
33	125-7014	6	Nut				
34	135-7082	2	Ring				

Exhaust Manifold Assembly



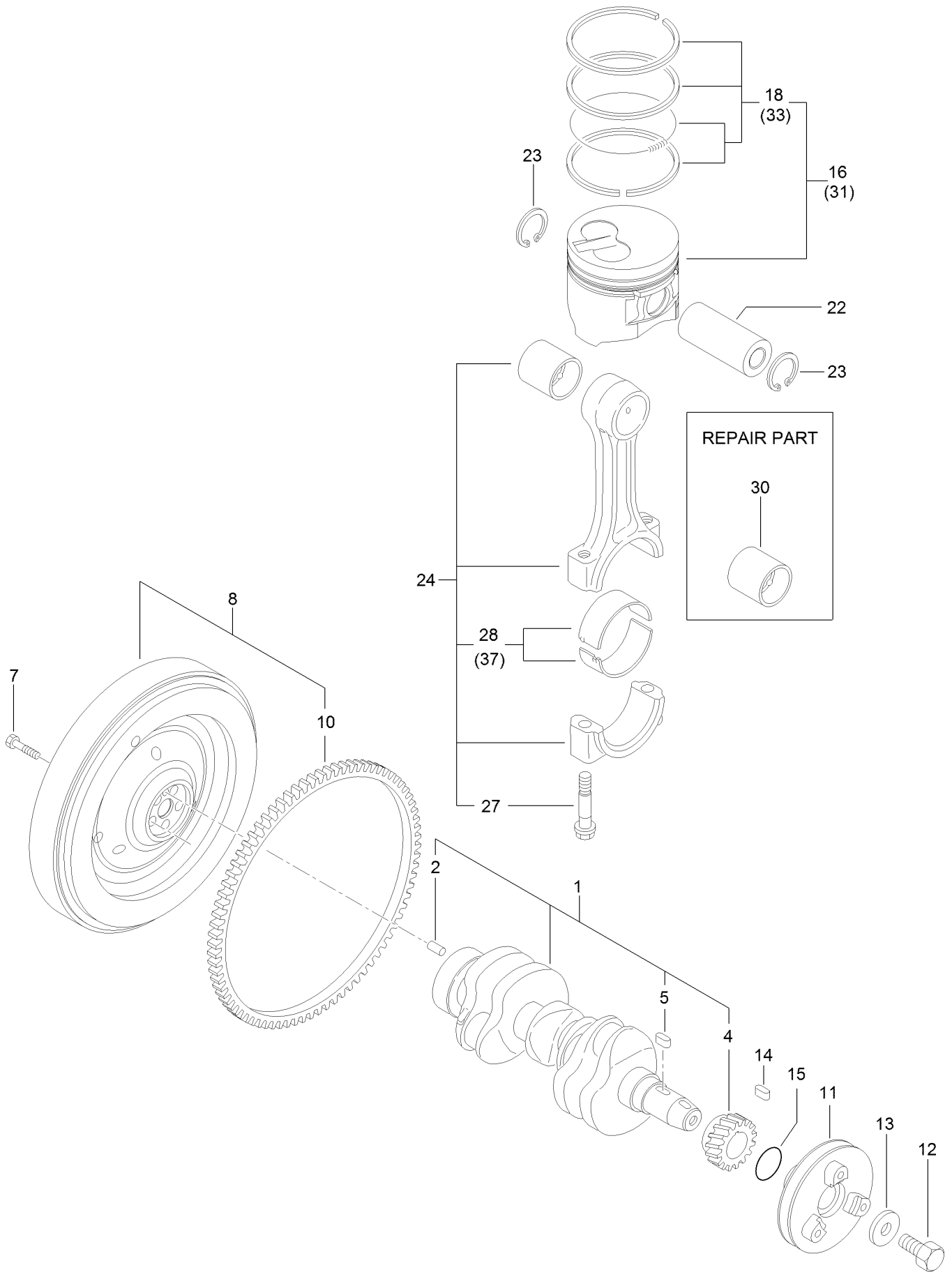
Exhaust Manifold Assembly (continued)

<i>Ref.</i>	<i>Part Number</i>	<i>Qty.</i>	<i>Description</i>	<i>Ref.</i>	<i>Part Number</i>	<i>Qty.</i>	<i>Description</i>
1	134-1444	1	Manifold-Exhaust	5	125-6906	4	Stud
2	135-4107	1	Gasket-Manifold, Exhaust	6	125-7229	2	Nut
3	134-1404	2	Bolt-Stud	7	134-1383	1	Gasket-Silencer
4	134-1452	4	Bolt				

Camshaft and Driving Gear Assembly (continued)

<i>Ref.</i>	<i>Part Number</i>	<i>Qty.</i>	<i>Description</i>	<i>Ref.</i>	<i>Part Number</i>	<i>Qty.</i>	<i>Description</i>
1	135-4108	6	Tappet	14	135-4147	3	Bolt
2	135-4109	6	Push-Rod	15	125-7020	4	Bolt
3	135-4110	1	Camshaft ASM	16	135-4148	1	Gear-Pump
8	125-7206	2	Bolt	17	135-4150	1	Flange
9	135-4145	1	Shaft-Idle	18	135-4220	1	Washer-Spring
10	135-4146	1	Idle Gear ASM	19	133-2506	1	Nut
13	135-4149	1	Bushing-Gear, Idle				

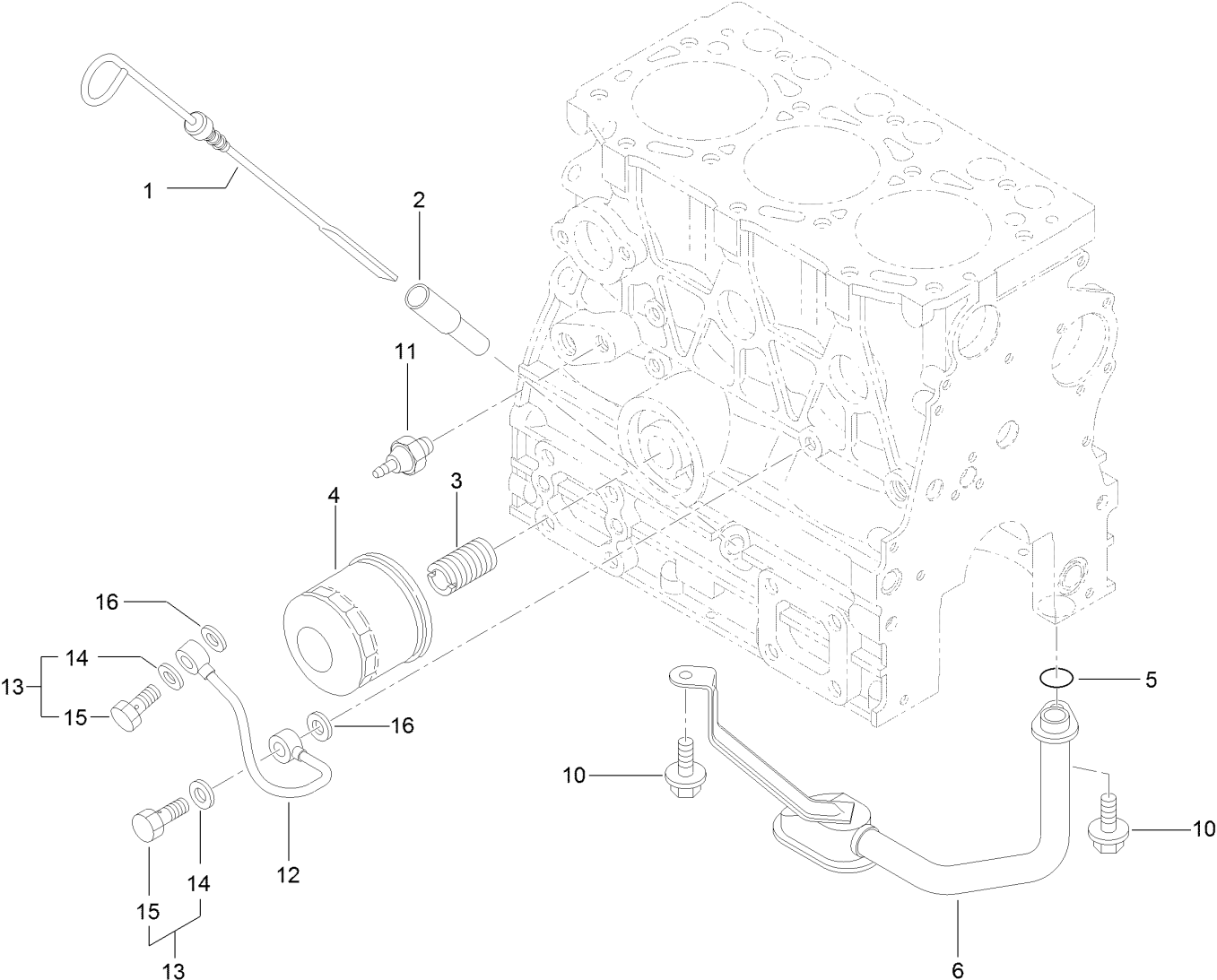
Crankshaft and Piston Assembly



Crankshaft and Piston Assembly (continued)

<i>Ref.</i>	<i>Part Number</i>	<i>Qty.</i>	<i>Description</i>	<i>Ref.</i>	<i>Part Number</i>	<i>Qty.</i>	<i>Description</i>
1	134-1405	1	Crankshaft ASM	16	134-1407	3	Piston ASM
2	125-6995	1	Pin	18	134-1409	3	Piston Ring Set
4	135-4153	1	Gear-Crankshaft	22	134-1408	3	Pin-Piston
5	135-4154	1	Key	23	135-4166	6	Ring
7	125-6951	5	Bolt	24	134-1412	3	Connecting Rod ASM
8	134-1392	1	Flywheel ASM	27	135-4168	6	Bolt-Rod, Connecting
10	125-6943	1	Gear	28	135-4169	3	Bearing-Pin, Crank
11	134-1445	1	V-Pulley	30	135-4170	3	Bearing-Pin, Piston
12	134-1391	1	Bolt-Flange	31	134-1411	3	Piston ASM (0.25 Os)
13	134-1406	1	Washer	33	134-1410	3	Ring Set (0.25 Os)
14	135-4154	1	Key	37	135-4171	3	Bearing-Pin (0.25)
15	134-1538	1	O-Ring				

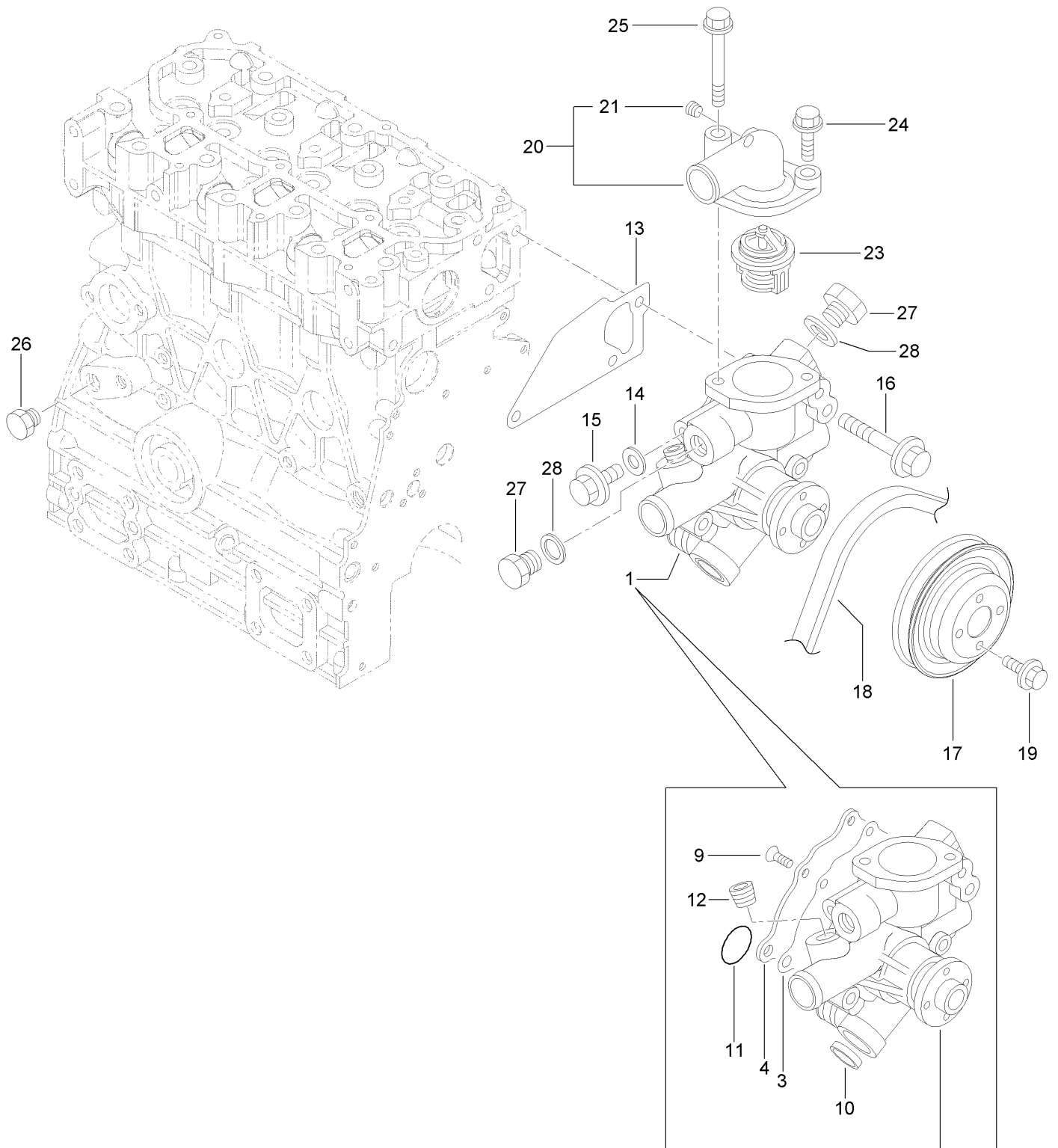
Lubrication and Oil System Assembly



Lubrication and Oil System Assembly (continued)

<i>Ref.</i>	<i>Part Number</i>	<i>Qty.</i>	<i>Description</i>	<i>Ref.</i>	<i>Part Number</i>	<i>Qty.</i>	<i>Description</i>
1	134-1413	1	Dipstick	11	134-1377	1	Switch-Hydraulic
2	125-6954	1	Guide-Dipstick	12	135-4182	1	Pipe-Oil
3	134-1467	1	Bolt-Stud	13	125-6988	2	Joint Bolt ASM
4	135-4181	1	Filter-Oil, Engine	14	125-7174	2	Washer-Seal
5	135-4178	1	O-Ring	15	125-7194	2	Bolt-Joint
6	134-1414	1	Oil Inlet Pipe ASM	16	125-7174	2	Washer-Seal
10	125-7205	2	Bolt				

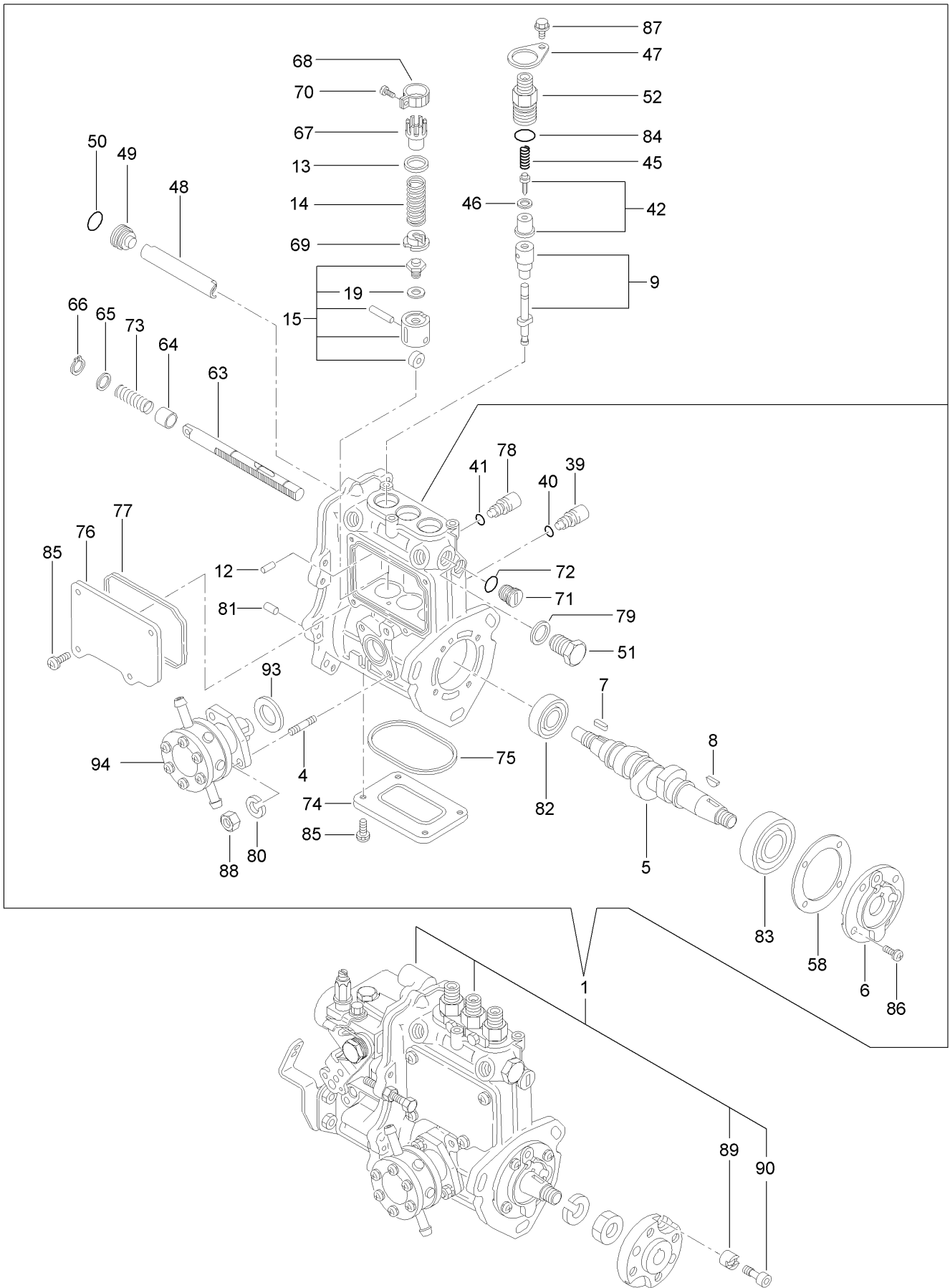
Cooling Water System Assembly



Cooling Water System Assembly (continued)

<i>Ref.</i>	<i>Part Number</i>	<i>Qty.</i>	<i>Description</i>	<i>Ref.</i>	<i>Part Number</i>	<i>Qty.</i>	<i>Description</i>
1	134-1415	1	Water Pump ASM	17	134-1417	1	V-Pulley
3	135-4188	1	Gasket	18	134-1455	1	V-Belt
4	135-4189	1	Cover	19	125-7206	4	Bolt
9	133-2504	4	Screw	20	134-1390	1	Cover ASM
10	135-4192	1	Plug	21	134-1381	1	Plug
11	134-1416	1	O-Ring	23	135-4200	1	Thermostat
12	125-7123	1	Plug	24	125-7215	1	Bolt
13	135-4193	1	Gasket-Pump, Water	25	135-4202	1	Bolt
14	125-7192	1	Gasket	26	125-7171	1	Plug-Drain
15	125-7212	1	Bolt	27	125-6953	2	Plug
16	125-7220	3	Bolt	28	125-6979	2	Gasket

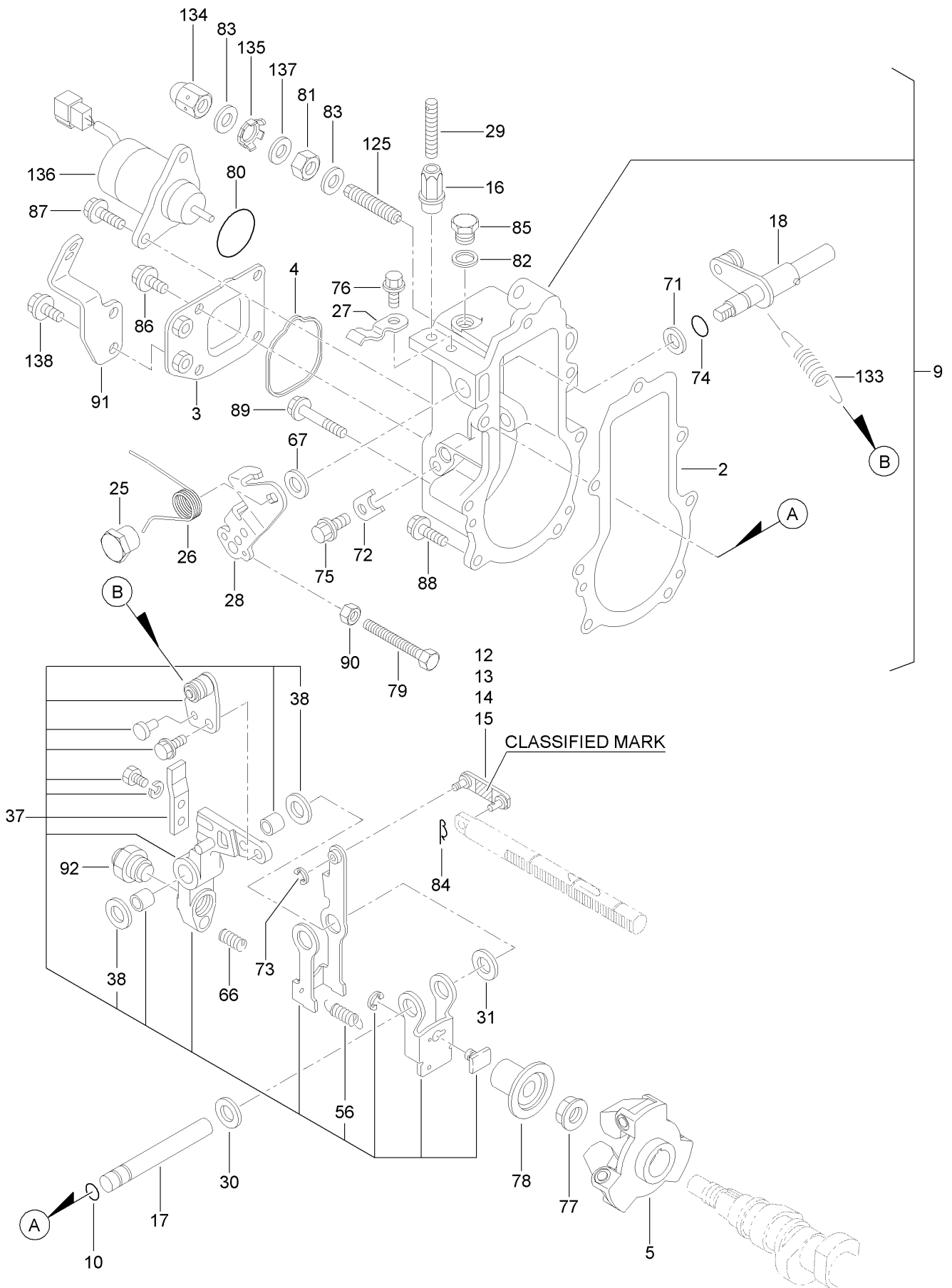
Fuel Injection Pump Assembly



Fuel Injection Pump Assembly (continued)

<i>Ref.</i>	<i>Part Number</i>	<i>Qty.</i>	<i>Description</i>	<i>Ref.</i>	<i>Part Number</i>	<i>Qty.</i>	<i>Description</i>
1	134-1544	1	Injection Pump ASM	66	134-1493	1	Circlip
4	135-4205	2	Bolt-Stud	67	134-1494	3	Pinion-Control
5	134-1418	1	Camshaft	68	134-1468	3	Pinion
6	134-1419	1	Support-Camshaft	69	134-1428	3	Retainer-Spring
7	134-1420	1	Key-Feather, Parallel	70	134-1469	3	Screw-Pinion
8	135-4206	1	Key-Feather, Woodruff	71	135-4213	1	Plug-Rack
9	134-1446	3	Fuel Plunger ASM	72	135-4214	1	O-Ring
12	134-1489	3	Pin	73	134-1495	1	Spring-Rack
13	134-1521	3	Retainer-Spring	74	135-4215	1	Cover
14	134-1421	3	Spring-Plunger	75	135-4216	1	Gasket
15	134-1422	3	Tappet ASM	76	135-4217	1	Cover
19	134-1496	1	Adjusting Shim Set	77	135-4218	1	Gasket
39	125-7156	3	Stopper	78	135-4219	1	Stopper-Rack
40	135-4207	3	O-Ring	79	136-8236	1	Washer-Seal
41	135-4207	1	O-Ring	80	134-1526	2	Washer-Spring
42	134-1423	3	Delivery Valve ASM	81	125-7183	2	Pin-Spring
45	134-1424	3	Spring-Delivery	82	134-1533	1	Bearing-Ball
46	134-1464	3	Gasket-Delivery	83	134-1534	1	Bearing-Ball
47	134-1379	3	Plate-Locking	84	134-1536	3	O-Ring
48	135-4209	1	Deflector	85	135-4221	8	Screw
49	135-4210	1	Plug-Deflector	86	134-1539	4	Screw
50	135-4211	1	O-Ring	87	134-1540	3	Bolt
51	135-4212	1	Plug-Deflector	88	127-4775	2	Nut
52	134-1522	3	Delivery Valve ASM	89	134-1425	1	Collar
58	134-1490	1	Adjusting Shim Set	90	134-1426	1	Bolt
63	134-1427	1	Rack-Control	93	135-4223	1	Gasket
64	134-1491	1	Bushing-Rack	94	134-1470	1	Fuel Feed Pump ASM
65	134-1492	1	Spacer				

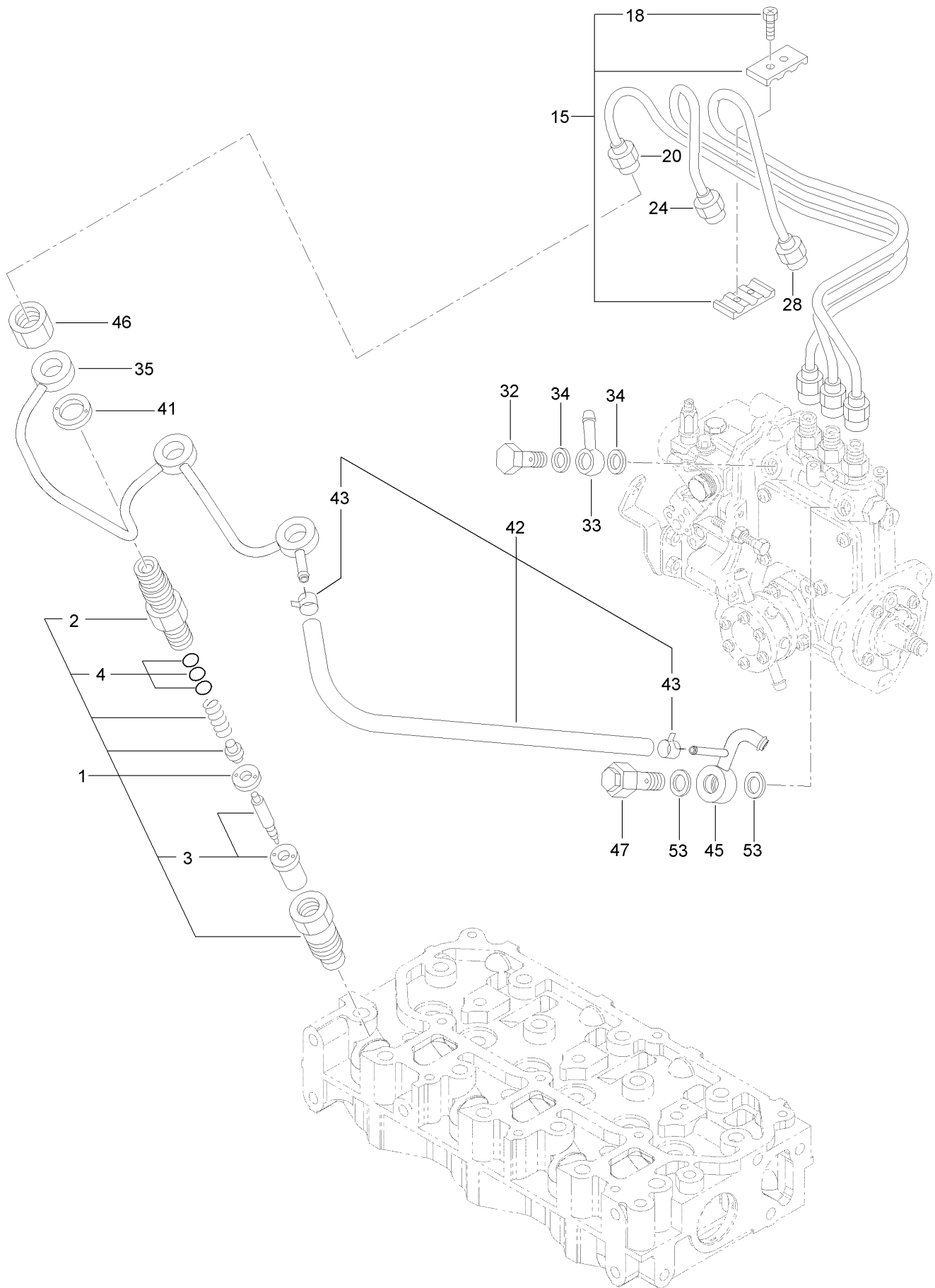
Governor Assembly



Governor Assembly (continued)

<i>Ref.</i>	<i>Part Number</i>	<i>Qty.</i>	<i>Description</i>	<i>Ref.</i>	<i>Part Number</i>	<i>Qty.</i>	<i>Description</i>
2	135-4227	1	Gasket	73	134-1527	1	Ring
3	134-1449	1	Cover-Case, Governor	74	134-1537	1	O-Ring
4	134-1435	1	Gasket	75	125-7205	1	Bolt
5	134-1440	1	Governor Weight ASM	76	125-7205	1	Bolt
9	134-1389	1	Governor Case ASM	77	125-6993	1	Nut
10	135-4207	1	O-Ring	78	134-1497	1	Sleeve
12	134-1436	1	Link (Mark :3)	79	134-1499	1	Bolt-Limiting
13	134-1437	1	Link (Mark 98)	80	134-1520	1	O-Ring
14	134-1438	1	Link (Mark 88)	81	134-1504	1	Nut
15	134-1439	1	Link (Mark 03)	82	125-7175	1	Washer-Seal
16	134-1503	1	Nut	83	125-7176	2	Washer-Seal
17	134-1466	1	Shaft-Lever, Governor	84	134-1529	1	Pin
18	134-1441	1	Shaft ASM	85	134-1532	1	Plug
25	134-1508	1	Nut	86	125-7205	4	Bolt
26	134-1386	1	Spring-Lever	87	125-7207	2	Bolt
27	134-1387	1	Retainer	88	125-7209	4	Bolt
28	134-1385	1	Lever-Control	89	136-8256	3	Bolt
29	134-1498	1	Bolt-Limiting	90	134-1541	1	Nut-Lock
30	134-1502	1	Shim (T=0.6)	91	134-1450	1	Support-Wire
31	134-1500	1	Shim ASM	92	134-1382	1	Adapter ASM
37	134-1451	1	Governor Lever ASM	125	134-1523	1	Fuel Limiter ASM
38	134-1525	2	Plunger Shim Set	133	134-1517	1	Spring-Governor
56	134-1516	1	Spring-Lever, Governor	134	134-1505	1	Nut-Cap
66	134-1471	1	Spring-Limiter, Fuel	135	134-1506	1	Plate
67	134-1518	1	Shim Set	136	134-1380	1	Solenoid-Stop
71	134-1519	1	Shim (T=1.0)	137	134-1530	1	Gasket
72	134-1395	1	Stopper-Shaft	138	125-7205	2	Bolt

Fuel Injection Valve Assembly

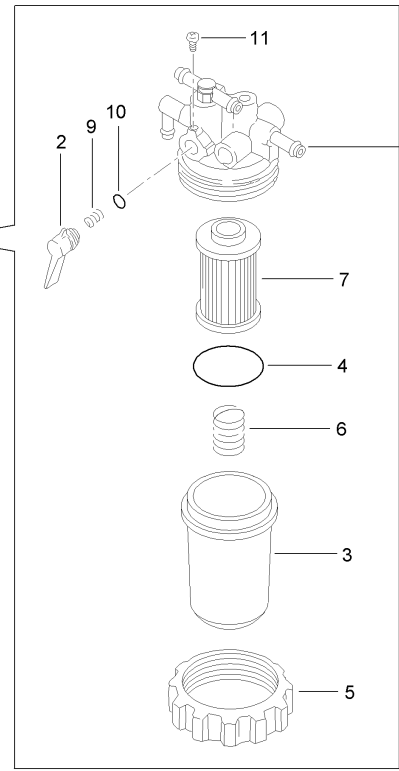
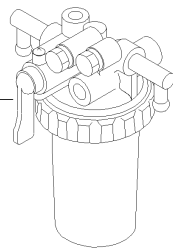
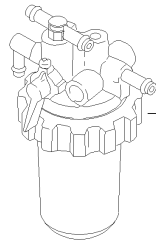
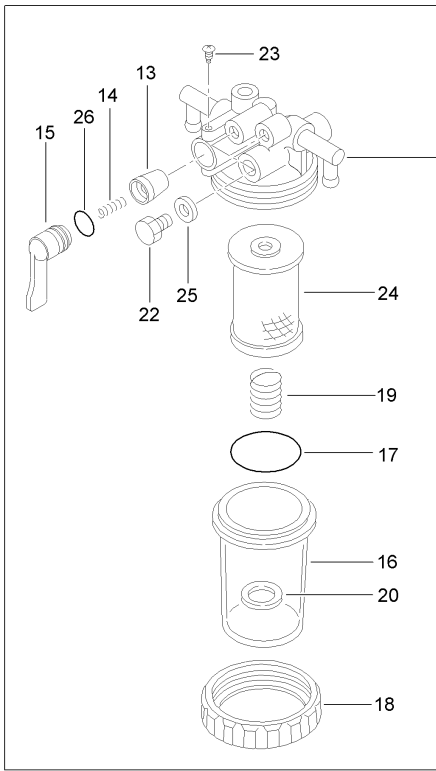


Fuel Injection Valve Assembly (continued)

<i>Ref.</i>	<i>Part Number</i>	<i>Qty.</i>	<i>Description</i>	<i>Ref.</i>	<i>Part Number</i>	<i>Qty.</i>	<i>Description</i>
1	134-1429	3	Injection Valve ASM	33	135-4243	1	Joint-Pipe
2	134-1378	3	Holder-Nozzle	34	125-7176	2	Washer-Seal
3	134-1430	3	Fuel Injection Nozzle ASM	35	134-1431	1	Return Pipe ASM
4	135-4231	3	Adjusting Shim Set	41	135-4237	3	Gasket
15	134-1488	1	Retainer-Pipe	42	134-1388	1	Return Hose ASM
18	125-7027	2	Bolt	43	136-8225	2	Clamp-Hose
20	134-1432	1	Injection Pipe ASM	45	134-1384	1	Joint-Overflow
24	134-1433	1	Injection Pipe ASM	46	135-4240	3	Nut-Nozzle
28	134-1434	1	Injection Pipe ASM	47	135-4241	1	Check Valve ASM
32	135-4242	1	Bolt-Joint, Pipe	53	125-7176	2	Washer-Seal

Fuel Filter Assembly

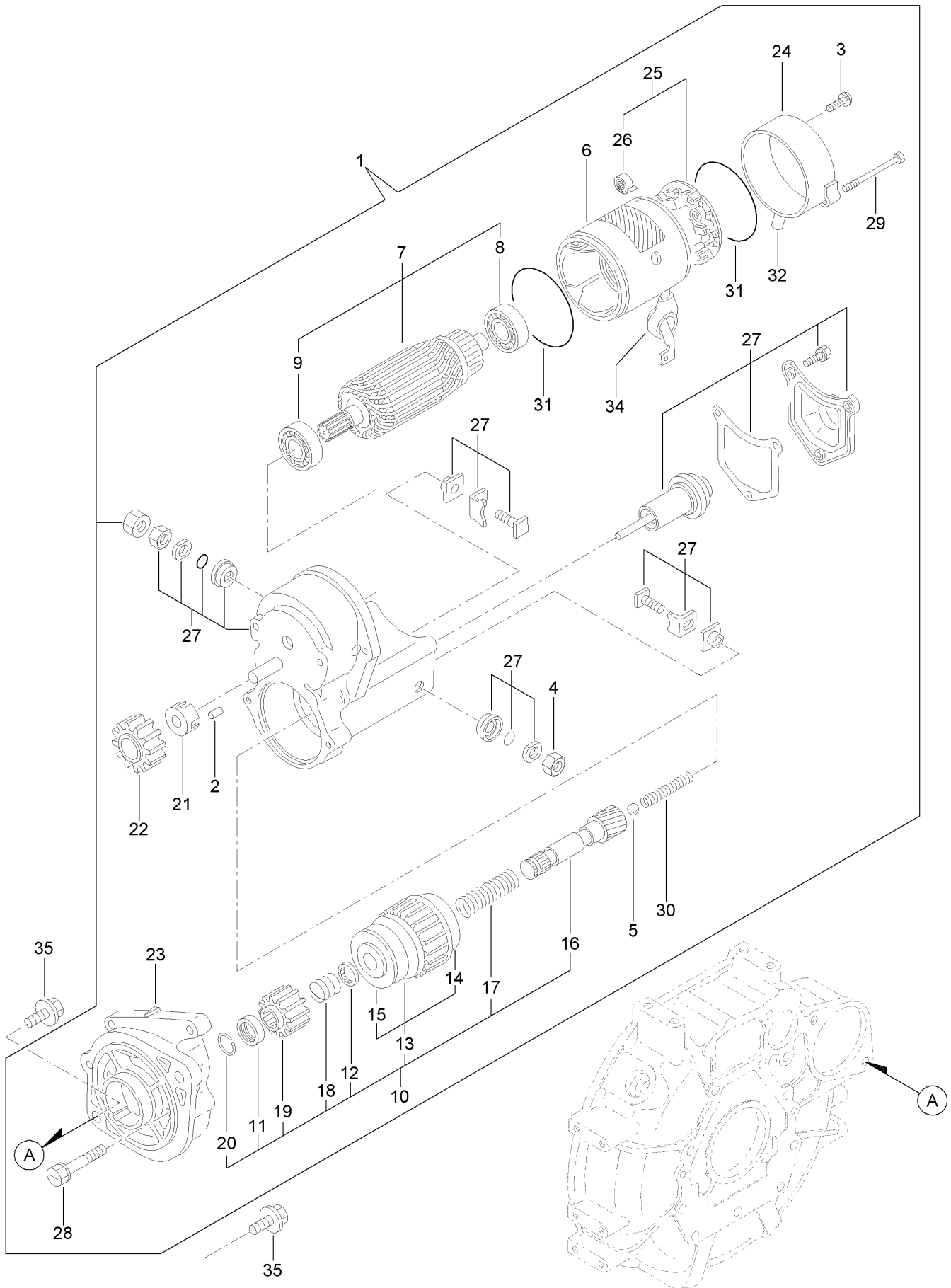
LOOSE PARTS



Fuel Filter Assembly (continued)

<i>Ref.</i>	<i>Part Number</i>	<i>Qty.</i>	<i>Description</i>	<i>Ref.</i>	<i>Part Number</i>	<i>Qty.</i>	<i>Description</i>
1	134-1447	1	Fuel Filter ASM	14	134-1373	1	Spring-Valve, Fuel
2	134-1454	1	Lever-Fuel	15	134-1374	1	Handle, Cock
3	134-1459	1	Cup-Strainer, Fuel	16	134-1462	1	Cup-Strainer, Fuel
4	134-1371	1	O-Ring	17	134-1371	1	O-Ring
5	134-1376	1	Ring-Retaining, Cup	18	134-1376	1	Ring-Retaining, Cup
6	134-1458	1	Spring-Element	19	134-1555	1	Spring
7	134-3085	1	Element-Filter, Fuel	20	134-1461	1	Float
9	134-1373	1	Spring-Valve, Fuel	22	134-1370	2	Plug-Hex
10	134-1535	1	O-Ring	23	134-1375	1	Screw-Pan
11	134-1375	1	Screw-Pan	24	134-1524	1	Filter-Fuel
12	134-1509	1	Water Separator ASM	25	134-1531	2	Gasket
13	134-1372	1	Valve-Taper	26	134-1535	1	O-Ring

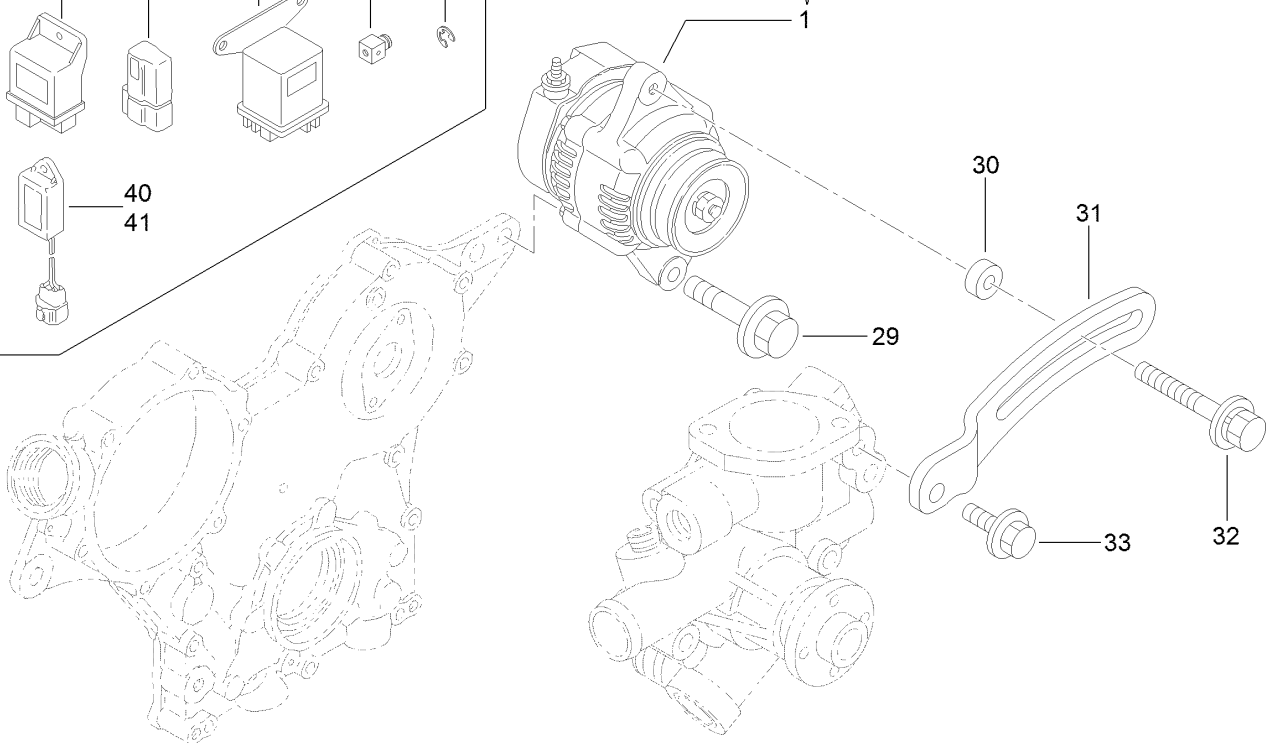
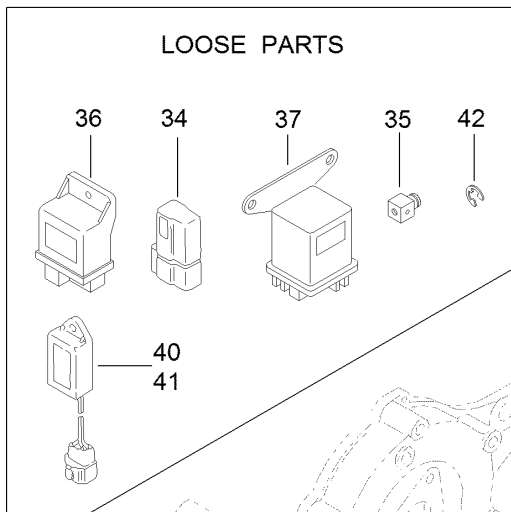
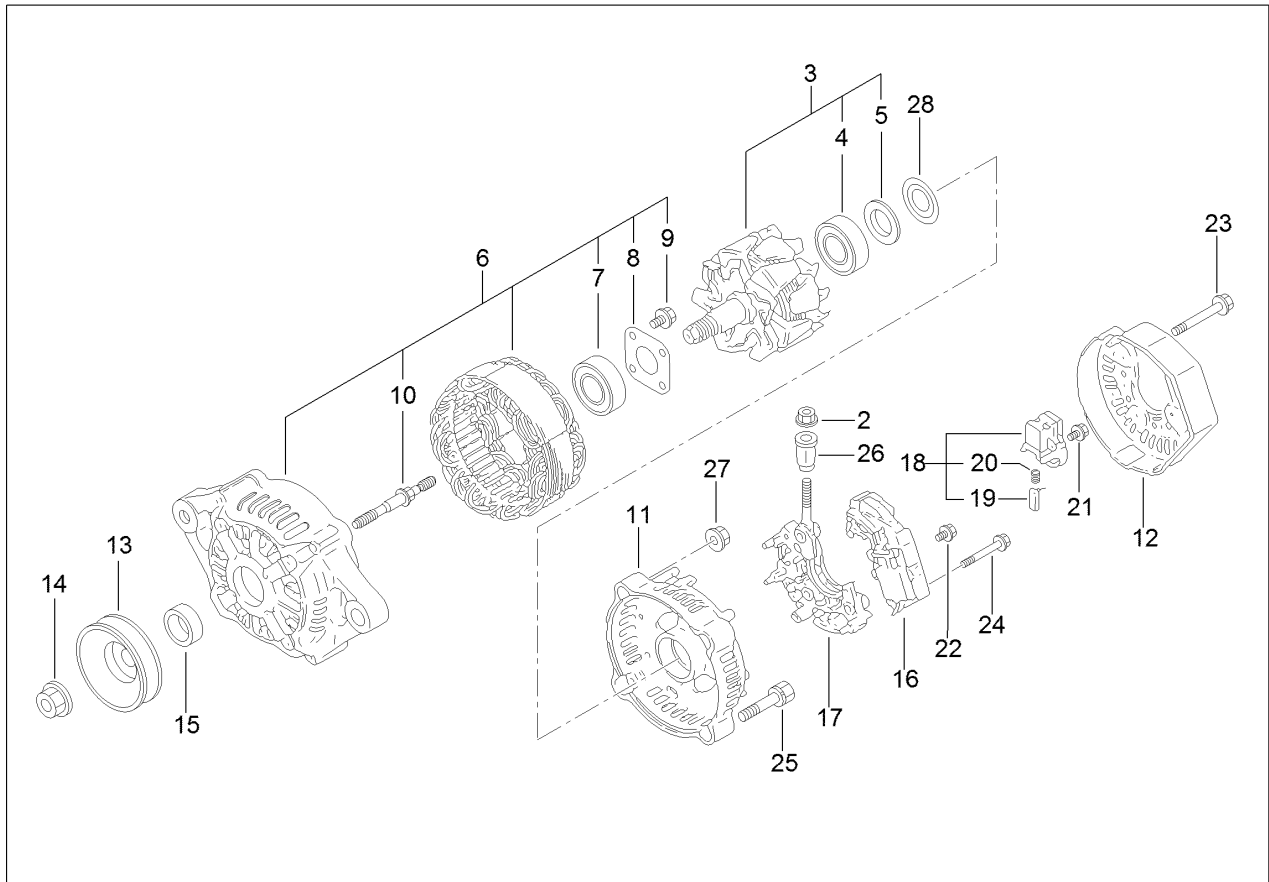
Starter Motor Assembly



Starter Motor Assembly (continued)

<i>Ref.</i>	<i>Part Number</i>	<i>Qty.</i>	<i>Description</i>	<i>Ref.</i>	<i>Part Number</i>	<i>Qty.</i>	<i>Description</i>
1	134-1448	1	Starter	18	134-1515	1	Spring
2	134-1546	5	Roller	19	134-1548	1	Pinion-Starter
3	134-1487	2	Screw	20	134-1484	1	Ring-Snap
4	134-1552	1	Nut	21	134-1474	1	Retainer
5	134-1553	1	Ball-Steel	22	134-1475	1	Pinion
6	134-1510	1	Yoke ASM	23	134-1551	1	Housing
7	134-1511	1	Armature ASM	24	134-1512	1	Cover
8	134-1472	1	Bearing-Ball	25	134-1513	1	Holder ASM
9	134-1473	1	Bearing-Ball	26	134-1554	4	Spring
10	134-1549	1	Starter Kit	27	134-1550	1	Switch ASM
11	134-1545	1	Nut	28	134-1476	2	Bolt
12	134-1547	1	Retainer	29	134-1514	2	Bolt
13	134-1481	1	Clutch ASM	30	134-1477	1	Spring
14	134-1485	1	Bearing-Ball	31	134-1478	2	O-Ring
15	134-1486	1	Bearing-Ball	32	134-1479	1	Cover
16	134-1482	1	Shaft-Starter	34	134-1480	1	Cap
17	134-1483	1	Spring	35	133-2496	2	Bolt

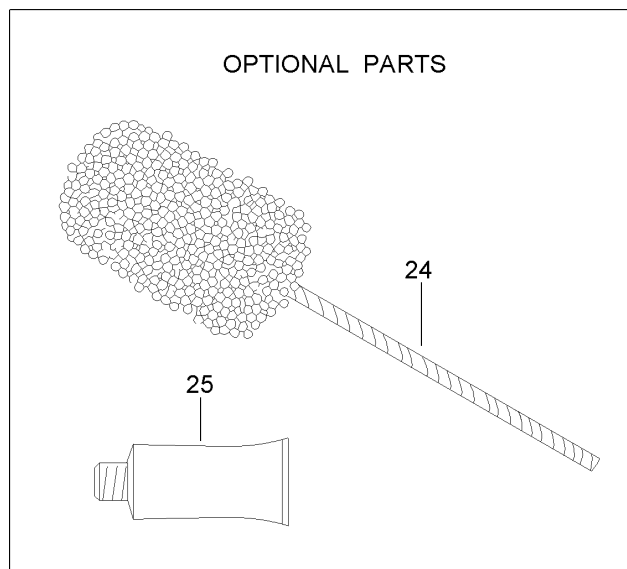
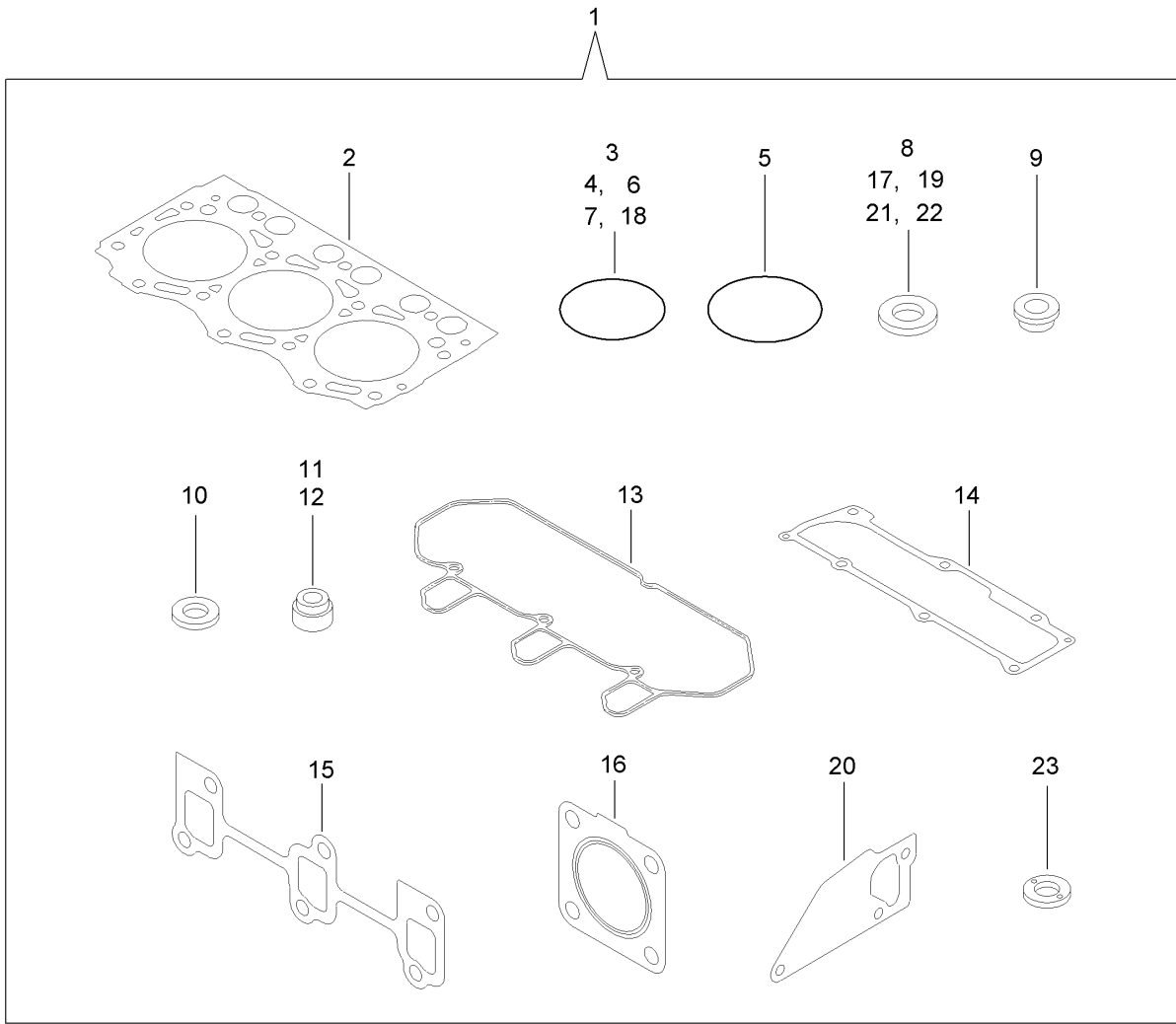
Generator Assembly



Generator Assembly (continued)

<i>Ref.</i>	<i>Part Number</i>	<i>Qty.</i>	<i>Description</i>	<i>Ref.</i>	<i>Part Number</i>	<i>Qty.</i>	<i>Description</i>
1	127-3001	1	Generator	21	127-2965	6	Screw
2	127-3190	1	Nut	22	127-2966	1	Screw
3	127-2951	1	Rotor ASM	23	127-2967	3	Bolt
4	127-2983	1	Bearing-Ball	24	127-2968	2	Screw
5	127-2962	1	Cover	25	127-2969	2	Bolt
6	127-2952	1	Frame ASM	26	127-2970	1	Bushing-Insulation
7	127-2958	1	Bearing-Ball	27	127-2971	2	Nut
8	127-2959	1	Plate-Retainer	28	127-2972	1	Washer
9	127-2960	4	Screw	29	135-4277	1	Bolt
10	127-2961	2	Stud	30	125-6947	1	Spacer
11	127-2953	1	Frame ASM	31	135-4279	1	Adjuster-Belt
12	127-2999	1	Cover	32	125-7134	1	Bolt
13	127-2954	1	Pulley	33	125-7595	1	Bolt
14	127-2955	1	Nut	34	134-1393	1	Diode
15	127-2957	1	Collar	35	134-1465	1	Retainer
16	127-3002	1	Regulator ASM	36	134-1453	1	Relay-Safety
17	127-2963	1	Holder	37	134-1394	1	Glow Relay ASM
18	127-2993	1	Holder	40	134-1501	1	Timer
19	127-2956	2	Brush ASM	41	134-1507	1	Timer
20	127-2964	2	Spring	42	134-1528	1	Ring

Gasket Set



Gasket Set (continued)

<i>Ref.</i>	<i>Part Number</i>	<i>Qty.</i>	<i>Description</i>	<i>Ref.</i>	<i>Part Number</i>	<i>Qty.</i>	<i>Description</i>
1	134-1543	1	Gasket Set	14	135-4095	1	Gasket
2	134-1396	1	Gasket-Head	15	135-4107	1	Gasket-Manifold, Exhaust
3	127-2973	1	O-Ring	16	134-1383	1	Gasket-Silencer
4	135-4058	3	O-Ring	17	125-7176	4	Washer-Seal
5	125-6957	1	O-Ring	18	135-4178	1	O-Ring
6	125-7197	2	O-Ring	19	125-7174	4	Washer-Seal
7	134-1538	1	O-Ring	20	135-4193	1	Gasket-Pump, Water
8	136-8236	1	Washer-Seal	21	125-7192	1	Gasket
9	135-4069	3	Protector-Nozzle	22	125-6979	2	Gasket
10	135-4070	6	Gasket-Nozzle	23	135-4237	3	Gasket
11	125-6915	3	Seal-Stem, Valve	24	125-7038	1	Hone
12	125-6916	3	Seal-Stem, Valve	25	125-7248	1	Gasket-Liquid
13	135-4093	1	Gasket-Cover, Cylinder Head				

Attachments and Accessories

For 31050 ProLine H800 Rotary Mower

Product Name	Model/Part
TÜV 15KPH Speed Decal Kit.....	02969
TÜV 25KPH Speed Decal Kit.....	02990
Arm Rest Kit.....	134-3594

Notes:



Count on it.