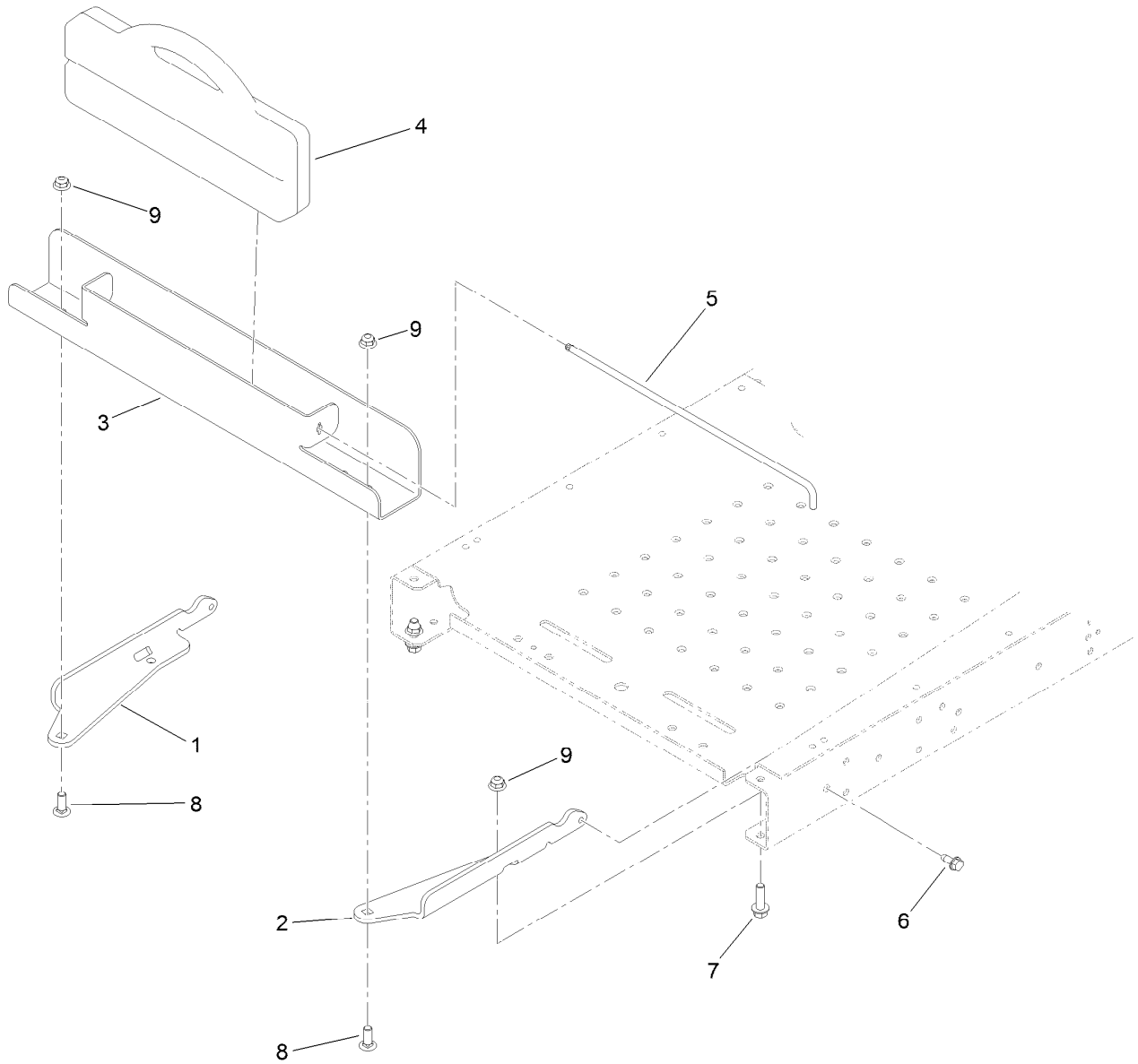


# Parts Catalog

## Weight Kit Zero-Turn Radius Riding Mower

Model No. 140-5084





## Weight Kit Assembly No. 140-5084

Ref.	Part Number	Qty.	Description
1	136-7461-03	1	Bracket-Weight, RH
2	136-7462-03	1	Bracket-Weight, LH
3	120-5491-03	1	Channel-Weight, Bagger
4	109-9742-05	1	Weight-35 Pound
5	140-5017	1	Rod, Weight Lock
6	32144-70	2	Screw-HWHTF
7	119-4061	2	Screw-HHF
8	137-3064	2	Bolt-CARR
9	119-4042	4	Nut-HF, NI