



Dingo 320-D
Compact Utility Loader
Model No. 22303—990001 and Up

Parts Catalog

Ordering Replacement Parts

To order replacement parts, please supply: the part number, the quantity, and the description of each part desired.

Understanding Reference Numbers

Each identified part in an illustration has a reference number. The reference number for a part also appears in the parts list, along with other information about the part.

This catalog uses two special reference number formats, one to indicate parts in a service assembly and another to indicate the quantity of a given part in an illustration.

Service Assembly Reference Numbers

Parts in service assemblies have reference numbers in the form **a:b**. The **a** represents the reference number of the entire service assembly and the **b** represents a sequential number unique to each part within the service assembly.

For example, a wheel assembly might be identified by reference number **6**, the tire by **6:1**, the valve by **6:2**, and the wheel by **6:3**. When you order the assembly identified by reference number **6**, you receive all parts identified by reference numbers **6:1**, **6:2**, and **6:3**. However, you may also order any part individually.

Reference numbers of this type appear in illustrations and in part lists.

Reference Numbers Indicating Quantity

In an illustration, if a reference number indicates more than one part, the reference number has the form **nX y**. The **n** represents the quantity of the part, the **X** is the multiplication symbol, and the **y** represents the reference number.

For example, in an illustration, the reference number **2X 37** means that two of the parts identified by reference number **37** are indicated.

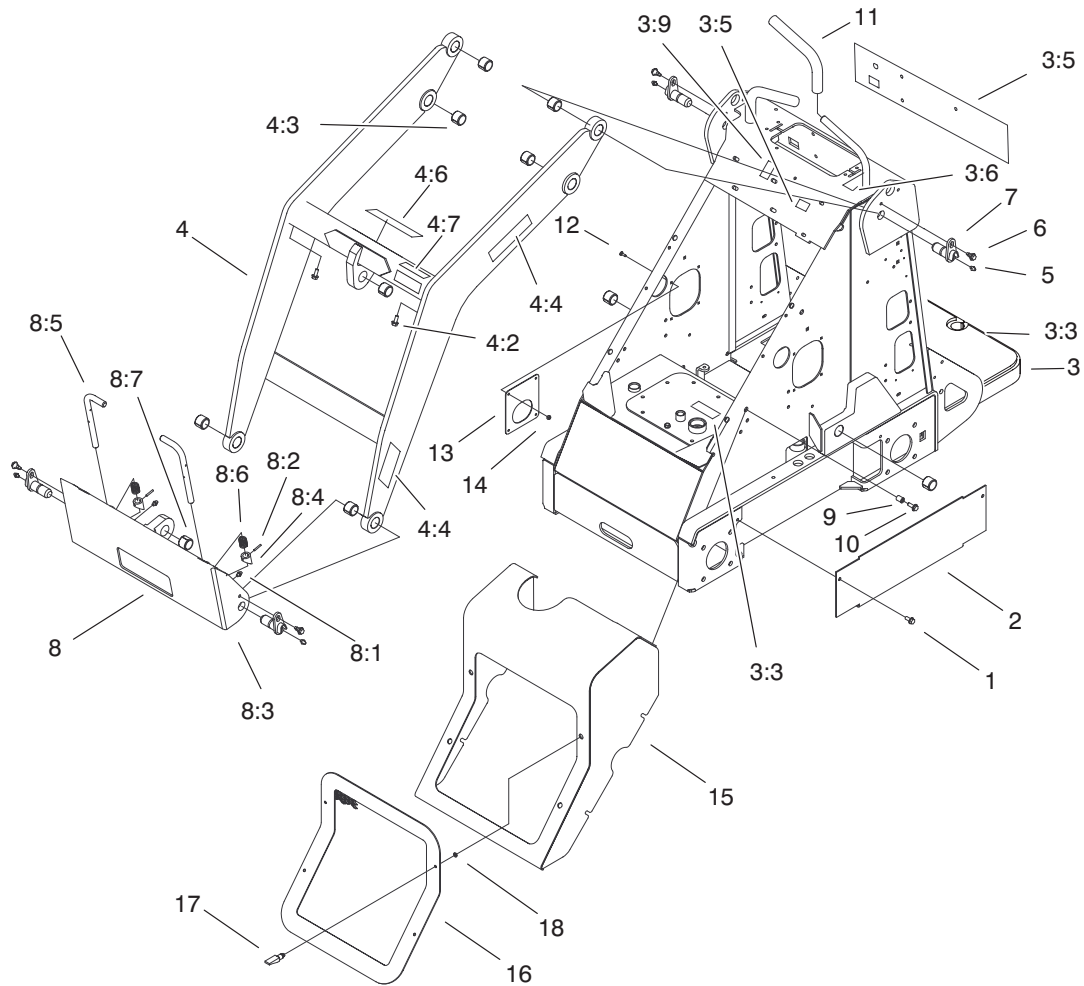
Contents

Description	Page	Description	Page
Frame and Loader Arm Assembly	3	Dipstick and Guide Assembly	30
Radiator Mount Assembly	4	Main Bearing Case Assembly	31
Pump and Fan Mount Assembly	5	Camshaft Assembly	32
Engine Assembly	6	Piston and Crankshaft Assembly	33
Fuel Tank and Air Filter Assembly	7	Flywheel Assembly	34
Hydraulic Tank Assembly	8	Fuel Camshaft Assembly	35
Hydraulic Motor Assembly	9	Engine Stop Lever Assembly	36
Hydraulic Cylinder Assembly	10	Injection Pump Assembly	37
Hydraulic Cylinder No. 99-3051	11	Injection Pump (Complete Parts)	38
Rear Cover Assembly	12	Governor Assembly	39
Electrical Components Assembly	13	Speed Control Plate Assembly	40
Decal Assembly	14	Nozzle Holder and Glow Plugs Assembly	41
Wheel and Motor Assembly	15	Nozzle Holder (Complete Parts)	42
Hydraulic Motor Assembly No. 99-3052	16	Fuel Pump (Mechanical)	44
Hydraulic Valve Assembly	17	Dynamo and Pulley Assembly	45
Hydraulic Valve Assembly No. 99-3070	19	Dynamo (Complete Parts)	46
Hydraulic Valve Assembly No. 99-3073	20	Starter Assembly	47
Hydraulic Valve Assembly No. 99-3072	21	Starter (Complete Parts)	48
Hydraulic Valve Assembly No. 99-3077	22	Oil Switch and Thermostat Assembly	49
Electrical Schematic	23	Water Flange and Thermostat Assembly	50
Hydraulic Schematic	24	Water Pump Assembly	51
Crankcase Assembly	25	Water Pipe Assembly	52
Oil Pan Assembly	26	Valve and Rocker Arm Assembly	53
Cylinder Head Assembly	27	Inlet Manifold Assembly	54
Gear Case Assembly	28	Exhaust Manifold Assembly	55
Head Cover Assembly	29	Gasket Kit	56

Part Description Abbreviations

Part descriptions in this catalog may include the following abbreviations.

Abbreviation	Meaning	Abbreviation	Meaning
AR	as required	INC	incorporated
ASM	assembly	LH	left hand
CARR	carriage	NI	nylon insert
DEG	degrees	PPH	Phillips pan head
FH	flat head	PTH	Phillips truss head
GA	gauge	PTO	power take off
HF	hex flange	RH	right hand
HH	hex head	SFH	slotted fillister head
HHF	hex head flange	SHH	slotted hex head
HLH	hex lag head	SQH	square head
HJ	hex jam	SHWH	slotted hex washer head
HOC	height-of-cut	SPH	slotted pan head
HS	hex socket	SRH	slotted round head
HSBH	hex socket button head	STD	standard
HSFH	hex socket flat head	TAP	self tapping
HSH	hex socket head	TTH	Torx truss head
HWH	hex washer head	WH	wing head
HWHTF	hex washer head thread forming		



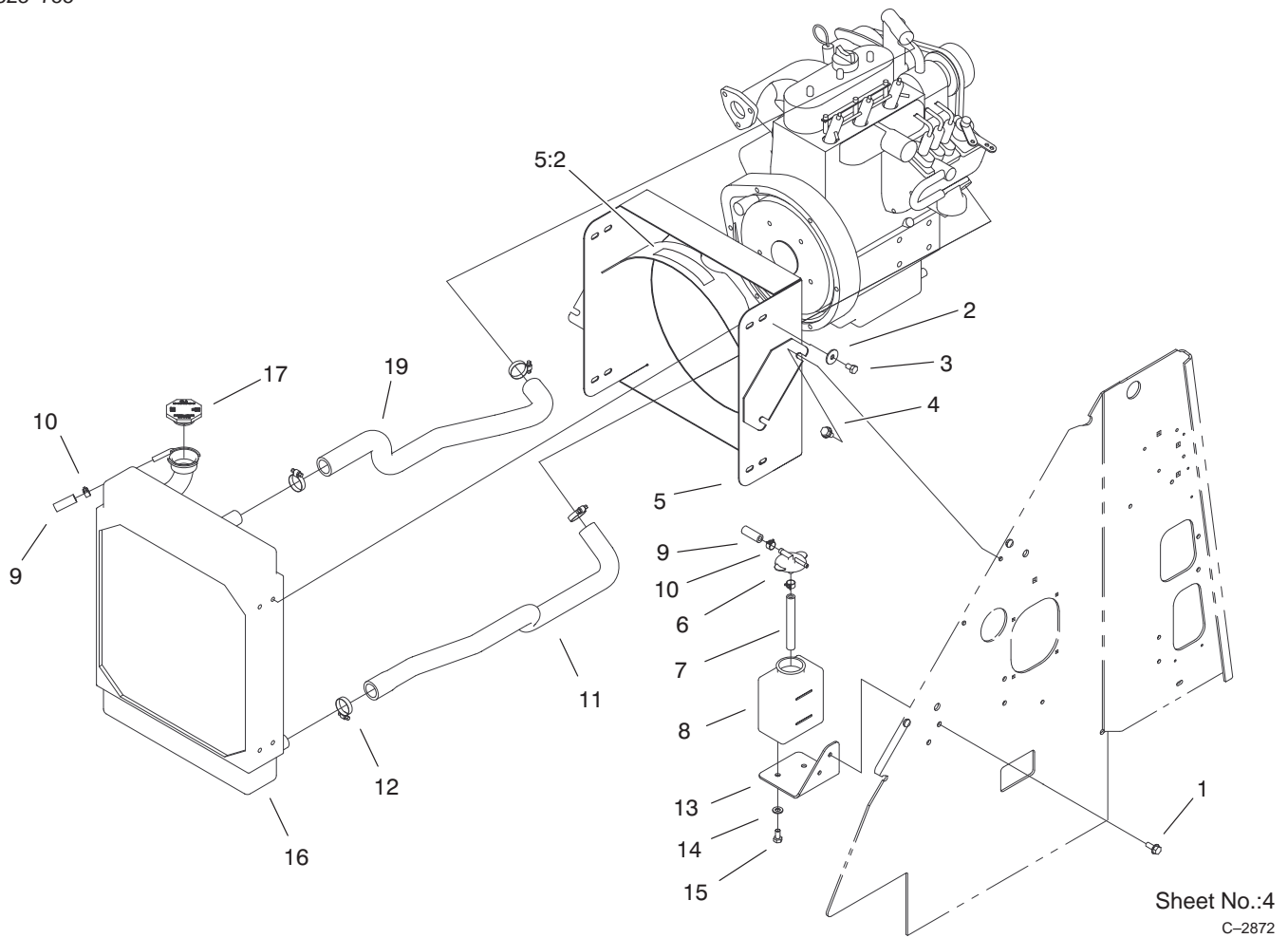
Sheet No.:2
C-2870

Frame and Loader Arm Assembly

Ref. No.	Part No.	Qty.	Description
1	32144-70	6	Screw-HH
2	99-3020-01	2	Cover-Hose
3	99-3154	1	Frame & Decal ASM
3:2	98-4871	2	Bushing-Tension
3:3	98-9947	2	Tread-Foot
3:5	100-1706	1	Decal-Panel, Control
3:6	98-8219	1	Decal-Throttle
3:7	100-1703	1	Decal-Limiter, Speed
3:8	93-6686	1	Decal-Oil, Hydraulic
3:9	98-8235	1	Decal-Selector
*3:10	100-1704	1	Decal-Power, Auxiliary
4	99-3156	1	Loader ASM
4:2	32144-70	2	Screw-HH
4:3	98-4871	7	Bushing-Tension
4:4	93-9367	4	Decal-Warning
*4:5	100-1701	1	Decal-Danger
4:6	100-1702	1	Decal-Caution
4:7	99-3088	2	Decal-No Riders
5	302-5	4	Fitting-Lube

Ref. No.	Part No.	Qty.	Description
6	99-5105	4	Screw-Shoulder
7	99-1414	4	Pin-Pivot
8	98-4690	1	Quick Attach ASM
8:1	302-5	2	Fitting-Lube
8:2	32121-94	2	Pin-Special
8:3	98-4691-03	1	Mount-Attach, Quick
8:4	98-4692	2	Cam-Attach, Quick
8:5	100-3373	2	Pin-Qtach
8:6	98-4694	2	Spring-Compression
8:7	98-4871	1	Bushing-Tension
9	32148-7	4	Nut-Insert
10	3234-29	4	Screw-HHF
11	98-4845	2	Grip-Cushion
12	3229-34	4	Bolt-CARR
13	99-1427-03	1	Guard-Muffler
14	3296-2	4	Nut-Lock
15	99-5126-03	1	Hood ASM
16	99-3034-03	1	Cover ASM
17	74-5950	4	Latch-Swell
18	99-3058	4	Washer

* Not Illustrated



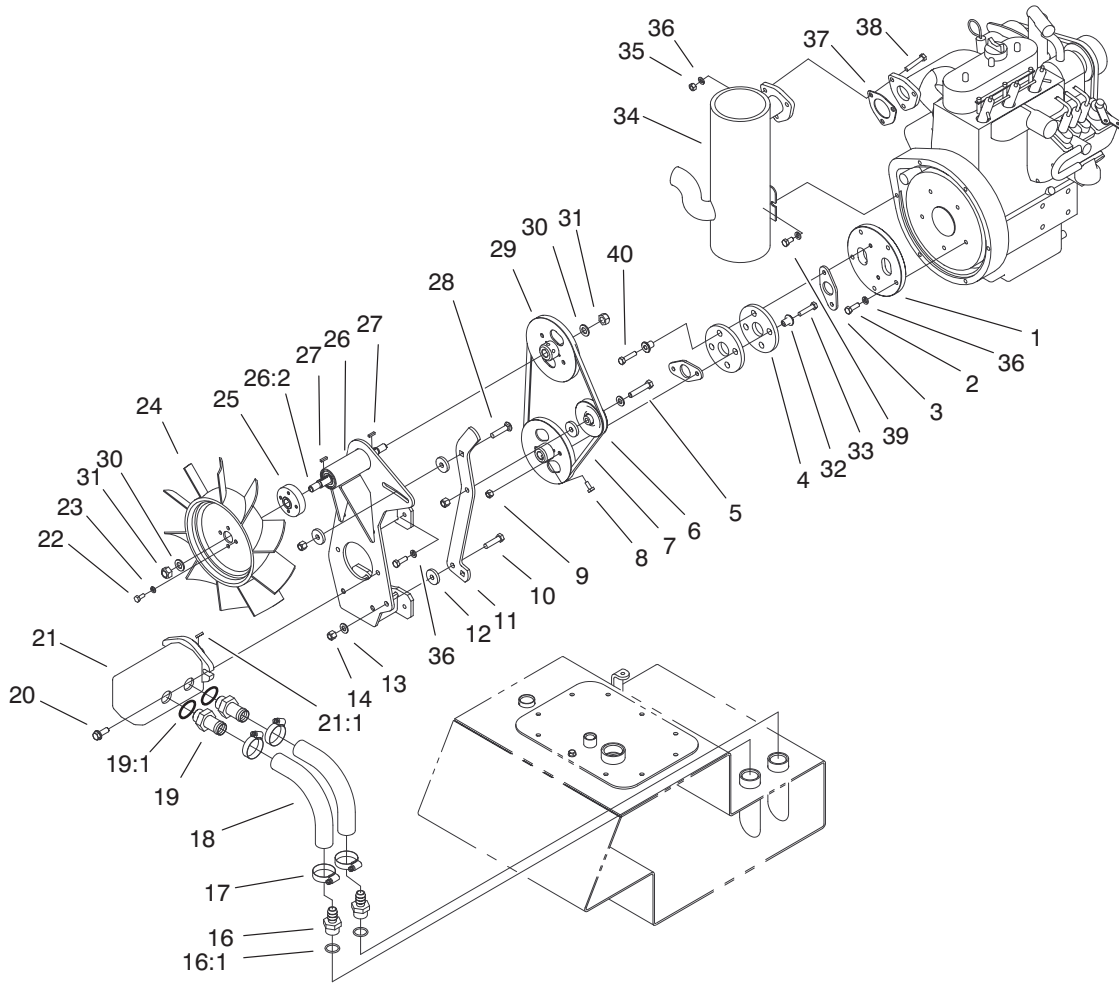
Sheet No.:4

C-2872

Radiator Mount Assembly

Ref. No.	Part No.	Qty.	Description
1	32144-70	2	Screw-HH
2	3256-82	8	Washer-Flat
3	322-1	8	Screw-HH
4	32144-14	4	Screw-HWH
5	100-2190	1	Shroud ASM
5:2	93-6681	1	Decal-Warning, Fan
6	93-2048	1	Cap-Tank, Overflow
7	94-1348	1	Hose-Tank, Recov
8	93-2049	1	Tank-Overflow
9	71-3383	1	Hose-Fuel
10	92-2379	3	Clamp-Hose
11	99-5042	1	Hose-Radiator, Lower
12	2412-34	4	Clamp-Hose
13	99-1446-01	1	Mount-Tank, Overflow
14	3256-23	2	Washer-Flat
15	99-5132	2	Bolt
16	99-5125	1	Radiator ASM
17	66-3240	1	Cap-Radiator
19	99-5043	1	Hose-Radiator, Upper

Ref. No.	Part No.	Qty.	Description



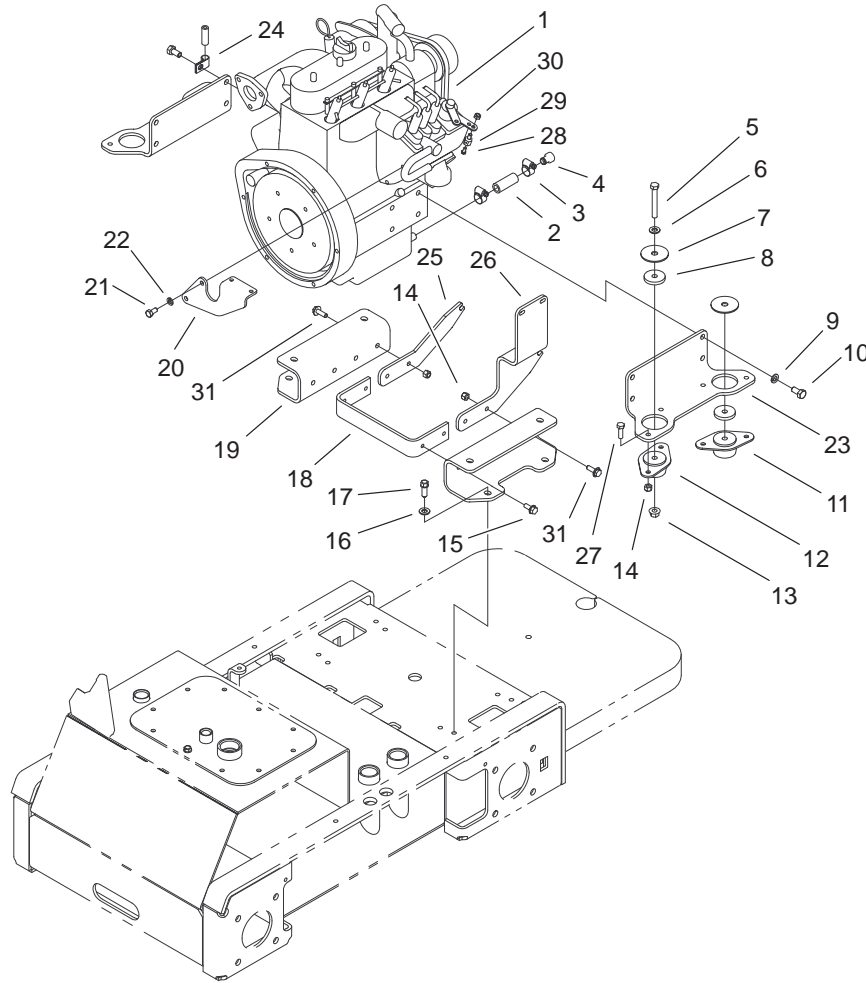
Sheet No.:5
C-2873

Pump and Fan Mount Assembly

Ref. No.	Part No.	Qty.	Description
1	99-1431	1	Adapter-Flywheel
2	99-5131	9	Bolt
3	99-1430	2	Spacer-Coupler
4	44-2230	2	Coupling-Rubber
5	323-10	1	Screw-HH
6	63-8140	1	Pulley-Idler
7	92-8876	1	V-Belt
8	3241-5	2	Screw-Set
9	3296-29	2	Nut-Lock
10	323-8	1	Screw-HH
11	100-1727-01	1	Mount-Tensioner
12	99-5121	4	Spacer
13	3256-24	2	Washer-Flat
14	3296-39	3	Nut-Lock Ni
16	354-78	2	Connector-Hose
16:1	237-146	1	O-Ring
17	2412-111	4	Clamp
18	99-3046	2	Hose-Suction, Formed
19	99-3017	2	Fitting
19:1	237-81	1	O-Ring
20	66-9300	2	Screw-Flange
21	98-4702	1	Pump - Gear, Tandem
21:1	98-4700	1	Key-Square
*21:2	99-1353	1	Kit-Seal, Pump
22	321-3	4	Screw-HH

Ref. No.	Part No.	Qty.	Description
23	3253-3	4	Washer-Lock/Sp
24	99-5119	1	Fan
25	99-1439	1	Adapter-Fan
26	99-1449	1	Pump Mount ASM
26:2	99-5118	1	Shaft-Fan
*26:3	38-7820	2	Bearing-Ball
27	100-1715	2	Key-Square
28	3231-5	1	Screw-CARR
29	99-5111	2	Pulley-Keyed
30	33096-00	2	Washer-Flat
31	3296-19	2	Nut-Lock Ni
32	71-4411	4	Spacer
33	322-7	2	Screw-HH
34	99-1442	1	Muffler-Kubota
35	3217-6	3	Nut-Hex
36	3253-4	13	Washer-Lock/Sp
37	100-2238	1	Gasket-Muffler
38	322-9	3	Screw-HH
39	99-5132	1	Bolt
40	99-5133	2	Bolt

* Not illustrated

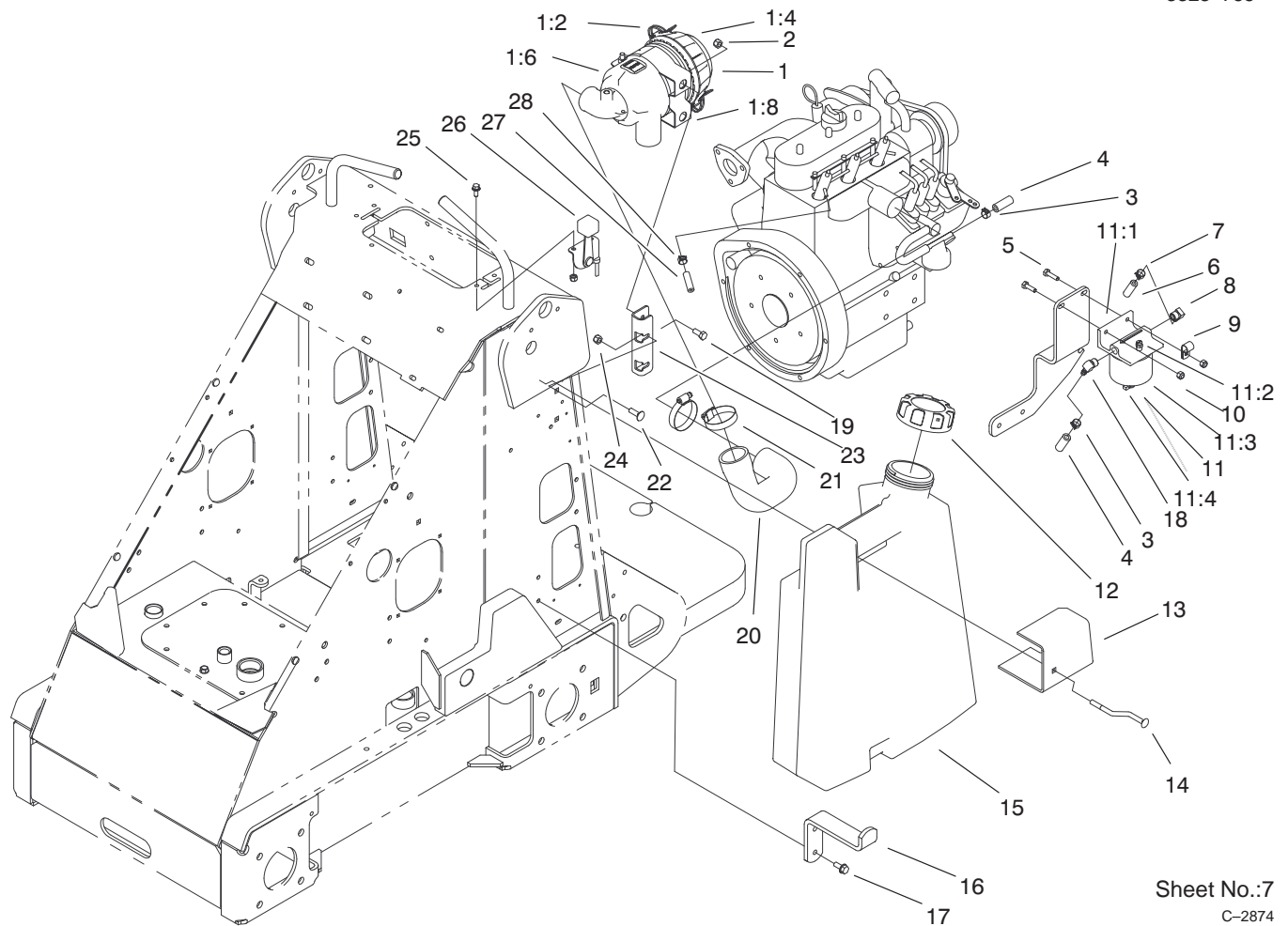


Sheet No.:6

Engine Assembly

Ref. No.	Part No.	Qty.	Description
1	100-2200	1	Engine-Kubota
2	56-2230	1	Hose-Gas
3	2412-36	2	Clamp-Hose
4	99-1445	1	Plug-Oil, Diesel
5	323-13	4	Screw-HH
6	3256-24	4	Washer-Flat
7	87-5100	4	Washer - Snubbing
8	98-4596	4	Washer-Mount, Engine
9	42-9600	6	Lockwasher-Spring, Mid
10	99-5130	8	Bolt
11	83-1030	2	Mount-Engine
12	93-5265	2	Mount-Engine
13	32128-29	4	Locknut-Flange
14	3296-29	12	Nut-Lock
15	32144-70	4	Screw-HH
16	3256-80	4	Washer-Flat
17	95-1726	4	Screw-Taptite w/Patch
18	99-1429-01	1	Bar-Support, Mount
19	99-1428-01	2	Bar-Brace, Mount
20	99-5007-01	1	Mount-Solenoid
21	99-5132	2	Bolt
22	3253-4	2	Washer-Lock/Sp
23	99-1426-01	2	Mount-Engine

Ref. No.	Part No.	Qty.	Description
24	2412-138	1	Clamp-R
25	99-3081-03	1	Support-Cover
26	99-3082-03	1	Support-Cover
27	322-5	8	Screw-HH
28	25-8640	1	Screw-Machine, HH
29	93-0021	1	Swivel-Cable, Throttle
30	3296-13	1	Nut-Lock Ni
31	3234-29	4	Screw-HHF



Sheet No.:7

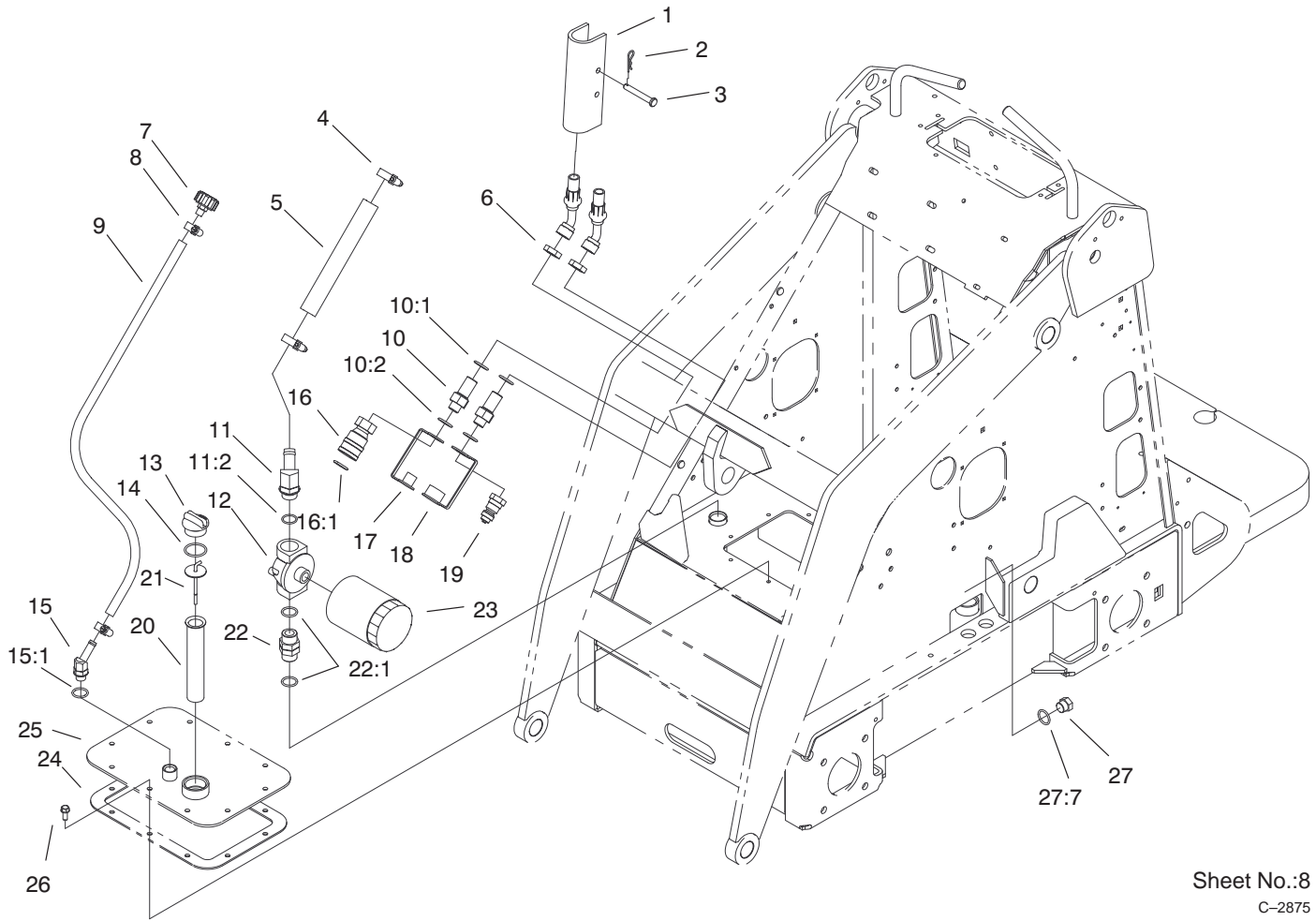
C-2874

Fuel Tank and Air Filter Assembly

Ref. No.	Part No.	Qty.	Description
1	99-3160	1	Air Cleaner ASM
*1:1	99-3173	1	Element-Filter, Air
1:2	99-3174	2	Clip-Cleaner, Air
*1:3	99-3175	1	Valve-Ejector, Dust
1:4	99-3176	1	Cover-Cleaner, Air
*1:5	99-3183	1	Tube ASM
1:6	99-3184	1	Housing-Cleaner, Air
*1:7	99-3198	1	Filter-Safety
1:8	99-3197	1	Filter Mount Bracket ASM
2	3296-29	3	Nut-Lock
3	92-2379	2	Clamp-Hose
4	63-7627	1	Hose-Fuel
5	321-6	2	Screw-HH
6	99-1438	1	Hose-Fuel
7	2412-98	2	Clamp
8	304-96	1	Elbow
9	2412-73	1	Clamp-R
10	3296-42	4	Nut-Lock
11	63-7650	1	Separator-Filter/Water
11:1	63-8280	1	Head ASM
11:2	63-8290	1	Vent-Air
11:3	63-8300	1	Element-Spin-On
11:4	63-8310	1	Valve-Drain
12	98-2710	1	Diesel Fuel Cap ASM
13	99-1444-03	1	Plate-Mount, Left

Ref. No.	Part No.	Qty.	Description
14	98-4657	1	Bolt-Mount
15	99-1425	1	Fuel Tank ASM
*15:3	100-1596	1	Fitting-90°
*15:4	104048	1	Valve-Fuel
16	98-4656-03	1	Mount-Bottom, Tank
17	32144-70	2	Screw-HH
18	353-781	1	Fitting
19	322-3	2	Screw-HH
20	99-5041	1	Hose-Cleaner, Air
21	2412-92	2	Clamp-Hose
22	3230-2	2	Screw-CARR
23	99-3080-03	1	Mount-Cleaner, Air
24	32128-20	2	Nut-HF
25	3234-33	2	Screw-HHF
26	99-1422	1	Control-Throttle
27	76-4420	1	Hose-Line, Fuel
28	2412-146	2	Clamp-Hose

* Not illustrated

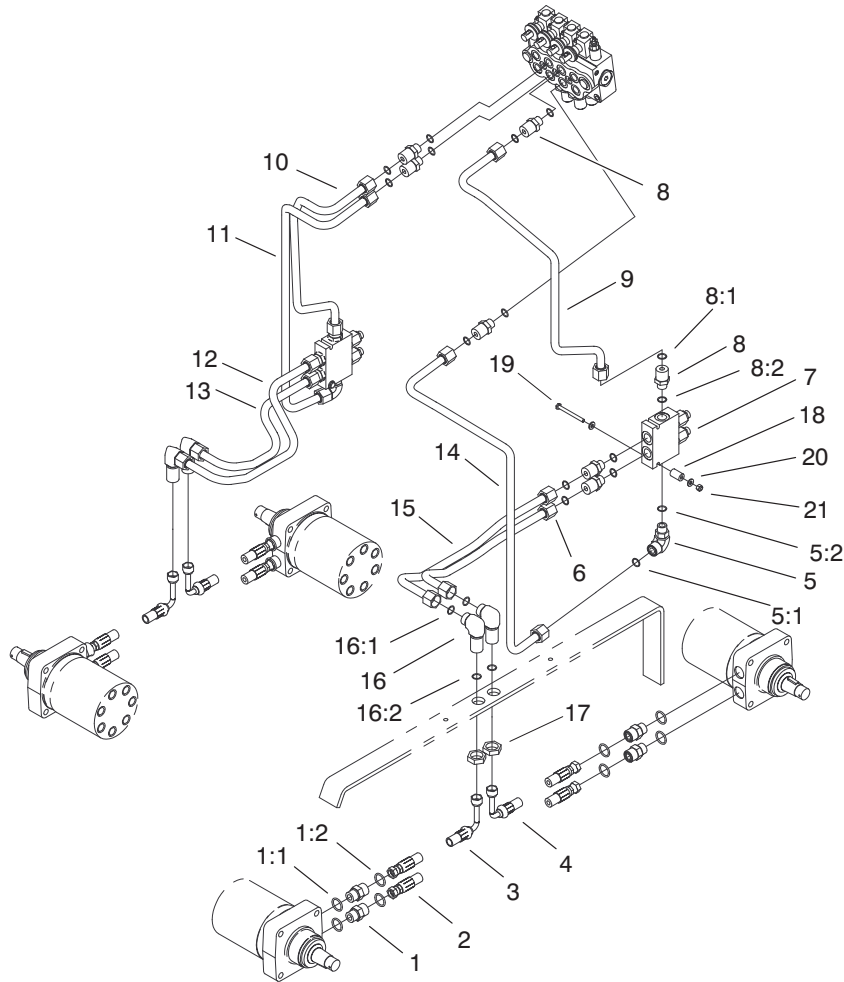


Sheet No.:8
C-2875

Hydraulic Tank Assembly

Ref. No.	Part No.	Qty.	Description
1	98-4675-01	2	Lock-Cylinder
2	3290-467	2	Pin-Cotter, Hair
3	283-52	2	Pin-Clevis
4	2412-129	2	Clamp-Hose
5	98-2713	1	Hose-Suction, Hyd
6	340-127	2	Nut-Bulkhead
7	68-6150	1	Breather-Air
8	2412-36	2	Clamp-Hose
9	100-1748	1	Hose-Vent
10	98-9907	2	Union-Bulkhead, Orb
10:1	237-30	1	O-Ring
10:2	237-79	1	O-Ring
11	99-3016	1	Fitting-45°
11:2	237-81	1	O-Ring
12	92-5821	1	Filter Head ASM
13	93-7498	1	Plug-Plastic
14	237-123	1	O-Ring
15	354-126	1	Fitting-Hydraulic, 45
15:1	237-79	1	O-Ring
16	98-4699	1	Female-Disconnect, Quick
16:1	100-4165	1	Seal
17	98-9913	1	Plug-Dust
18	98-9912	1	Cap-Dust
19	98-4698	1	Male-Disconnect, Quick

Ref. No.	Part No.	Qty.	Description
20	61-2790	1	Filter-Screen
21	99-1351	1	Dipstick
22	98-9906	1	Fitting-Thread, Straight
22:1	237-81	2	O-Ring
23	54-0110	1	Filter-Oil, Transmission
24	98-9927	1	Gasket-Cover
25	100-1713-01	1	Cover ASM
26	98-9940	10	Screw
27	353-988	1	Plug-Hex, Hollow
27:7	237-79	1	O-Ring



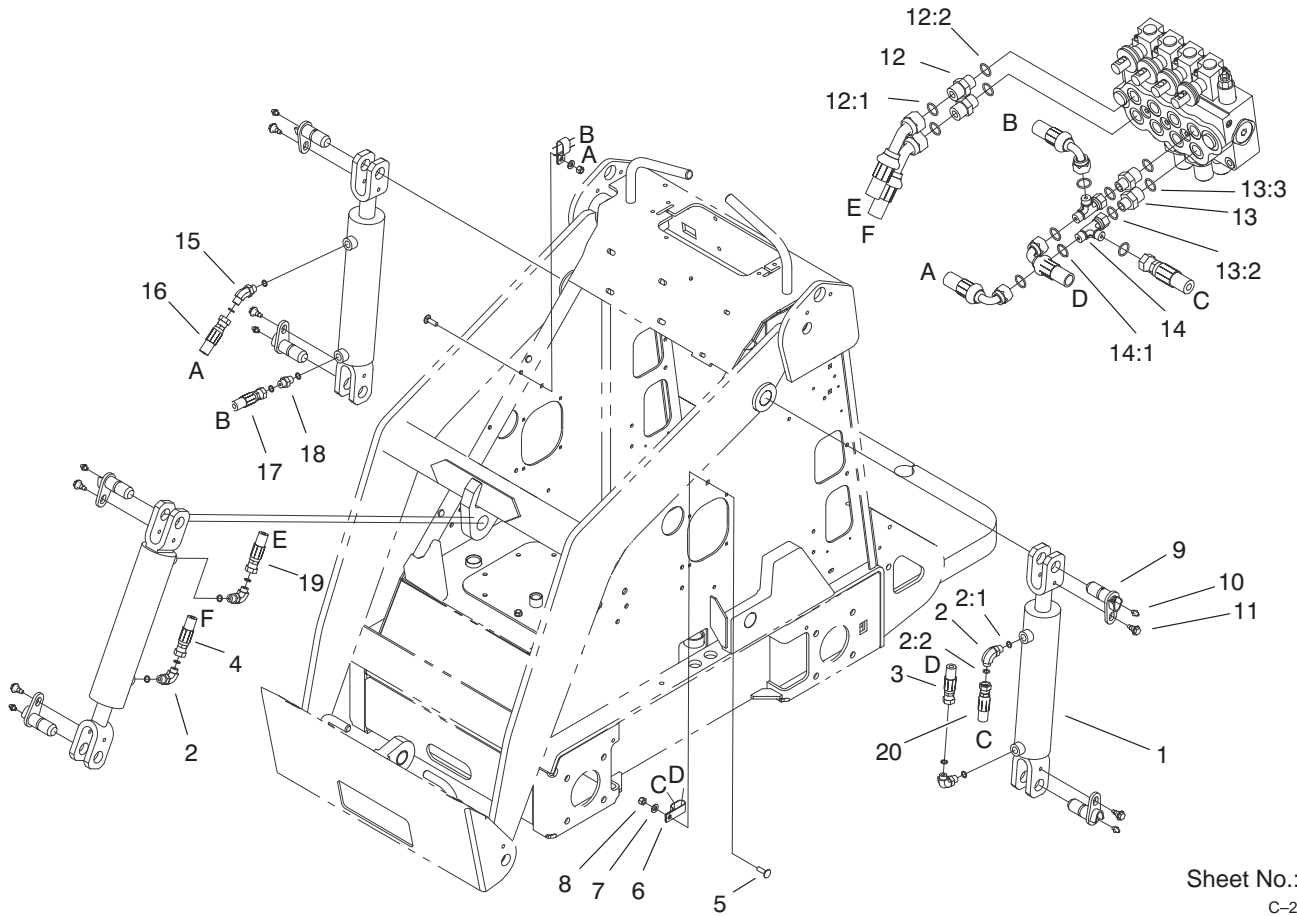
Sheet No.:10
C-2877

Hydraulic Motor Assembly

Ref. No.	Part No.	Qty.	Description
1	340-7	8	Adapter
1:1	237-65	1	O-Ring
1:2	237-80	1	O-Ring
2	99-3012	2	Hose-Motor, Hyd
3	99-3010	2	Hose-Motor, Front Hyd
4	99-3011	2	Hose-Motor, Rear Hyd
5	340-153	2	Fitting-Hyd
5:1	237-79	1	O-Ring
5:2	237-151	1	O-Ring
6	99-3022	1	Line-Hyd, Left A1
7	98-9050	2	Valve-Counterbalance
*7:1	98-2712	1	Kit-Seal, Valve
8	340-155	10	Fitting - Hyd
8:1	237-79	1	O-Ring
8:2	237-151	1	O-Ring
9	99-3027	1	Line-Hyd, Left B
10	99-3024	1	Line-Hyd, Right B
11	99-3029	1	Line-Hyd, Left A1
12	99-3025	1	Line-Hyd, Right B1
13	99-3028	1	Line-Hyd, Right A1
14	99-3023	1	Line-Hyd, Left A
15	99-3026	1	Line-Hyd, Left B1
16	340-72	4	Elbow-Bulkhead Union, 90°
16:1	237-65	2	O-Ring

Ref. No.	Part No.	Qty.	Description
17	340-74	4	Locknut-Bulkhead
18	99-3057	2	Spacer-Valve
19	321-23	2	Screw-HH
20	3256-22	4	Washer-Flat
21	3296-42	2	Nut-Lock

* Not illustrated

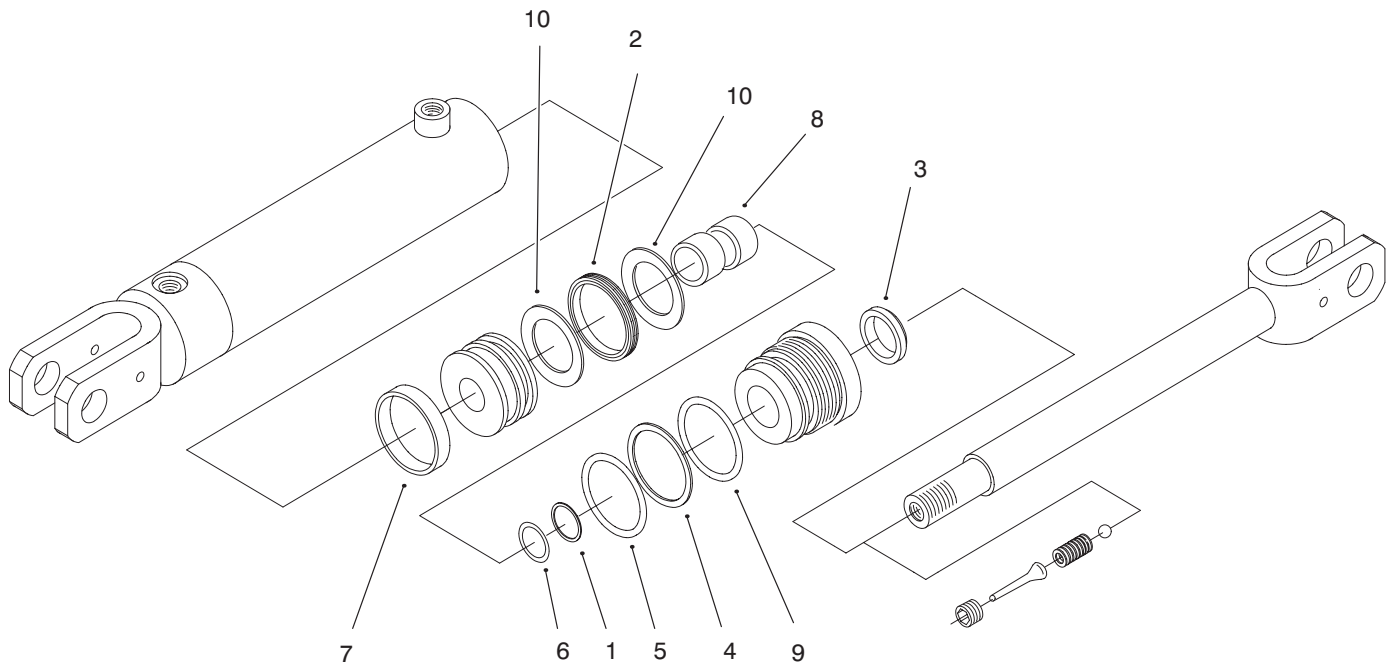


Sheet No.:11
C-2878

Hydraulic Cylinder Assembly

Ref. No.	Part No.	Qty.	Description
1	99-3051	3	Cylinder-Hydraulic
2		4	Adapter
2:1	237-42	1	O-Ring
2:2	237-35	1	O-Ring
3	98-4748	1	Hose-Hyd, Pressure Lo
4	98-4726	1	Hose-Hyd, Center Long
5	3230-2	2	Screw-CARR
6	2412-137	2	Clamp-Tube
7	3256-23	2	Washer-Flat
8	3296-29	2	Nut-Lock
9	99-1414	6	Pin-Pivot
10	302-5	6	Fitting-Lube
11	99-5105	6	Screw-Shoulder
12	340-3	2	Adapter
12:1	237-22	1	O-Ring
12:2	237-79	1	O-Ring
13	340-133	2	Adapter
13:2	237-78	1	O-Ring
13:3	237-35	1	O-Ring
14	340-151	2	Fitting
14:1	237-75	3	O-Ring
15	340-137	1	Fitting
16	98-4725	1	Hose-Loader, Hyd
17	100-1731	1	Hose-Hyd, Right

Ref. No.	Part No.	Qty.	Description
18	340-1	1	Adapter
19	98-4727	1	Hose-Hyd, Center Straight
20	99-3109	1	Hose-Loader, Hyd.



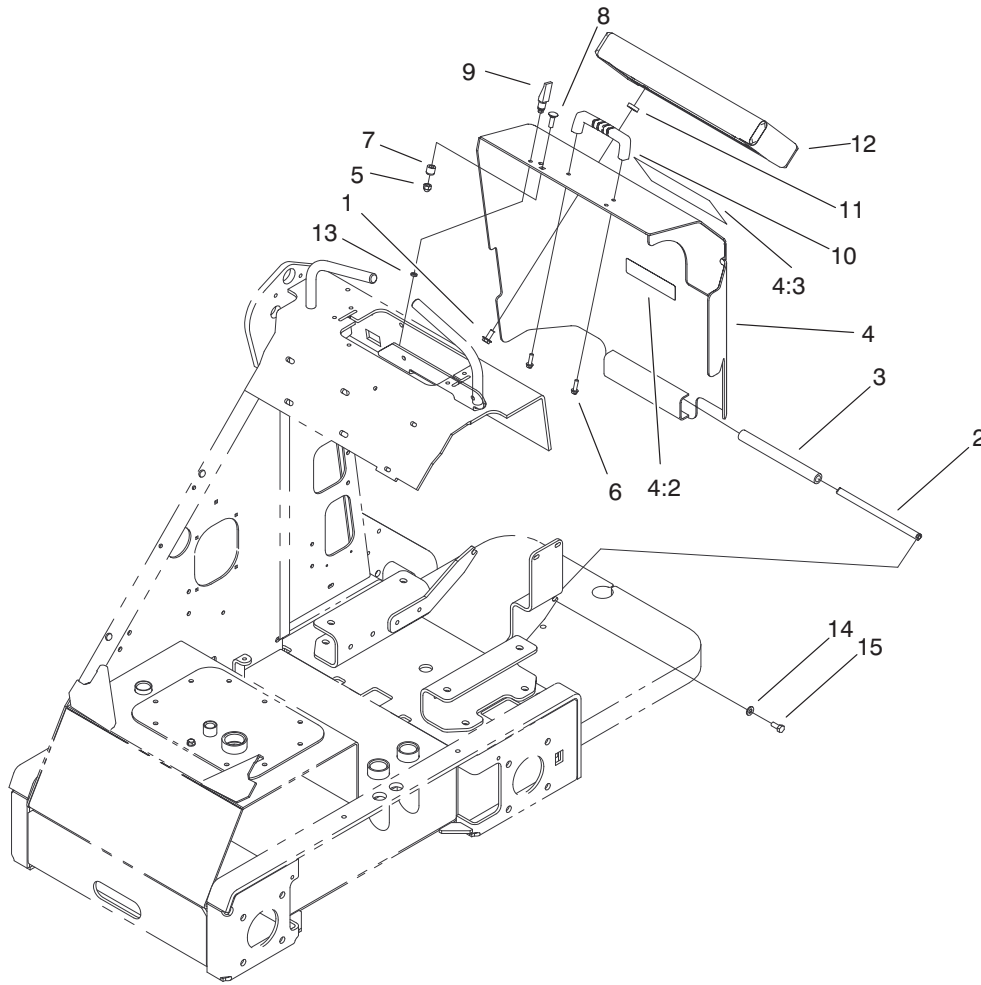
Sheet No.:A1

Hydraulic Cylinder No. 99-3051

Ref. No.	Part No.	Qty.	Description
†1		1	Washer-Backup
†2		1	PSP Seal
†3		1	Rod-Wiper
†4		1	Washer-Backup
†5		1	O-Ring
†6		1	Polypak
†7		1	Wear Ring
†8		2	Wear Ring
†9		1	O-Ring
†10		2	Washer-Backup
*	99-3065	1	Seal Kit (Incl. Ref. #1-10)

Ref. No.	Part No.	Qty.	Description

* Not illustrated
 † Not Serviced Separately

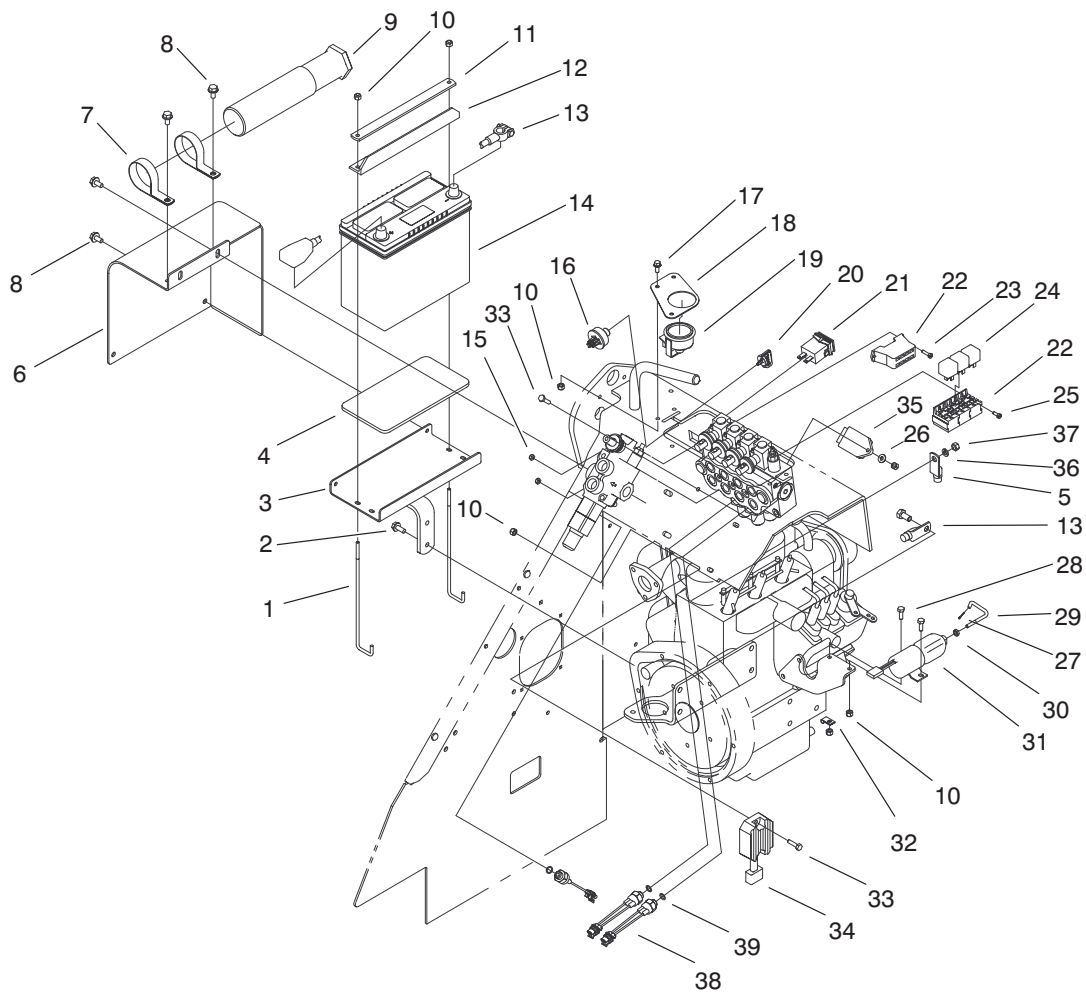


Sheet No.:12
C-2879

Rear Cover Assembly

Ref. No.	Part No.	Qty.	Description
1	3234-29	4	Screw-HHF
2	99-3083	1	Bar-Hinge
3	99-3085	1	Hose-Hinge
4	100-2191	1	Cover ASM
4:2	93-7814	1	Decal-Danger
4:3	100-1701	1	Decal-Danger
5	32111-8	1	Locknut-Acorn
6	46-8091	2	Special-HWH
7	99-3035	1	Spacer-Guide
8	3230-2	1	Screw-CARR
9	74-5950	2	Latch-Swell
10	65-5100	1	Handle-Door
11	26-4840	4	Spacer-Pin, Mtg
12	99-3101	1	Cover-Pad
13	99-3058	2	Washer
14	3256-23	2	Washer-Flat
15	322-3	2	Screw-HH

Ref. No.	Part No.	Qty.	Description

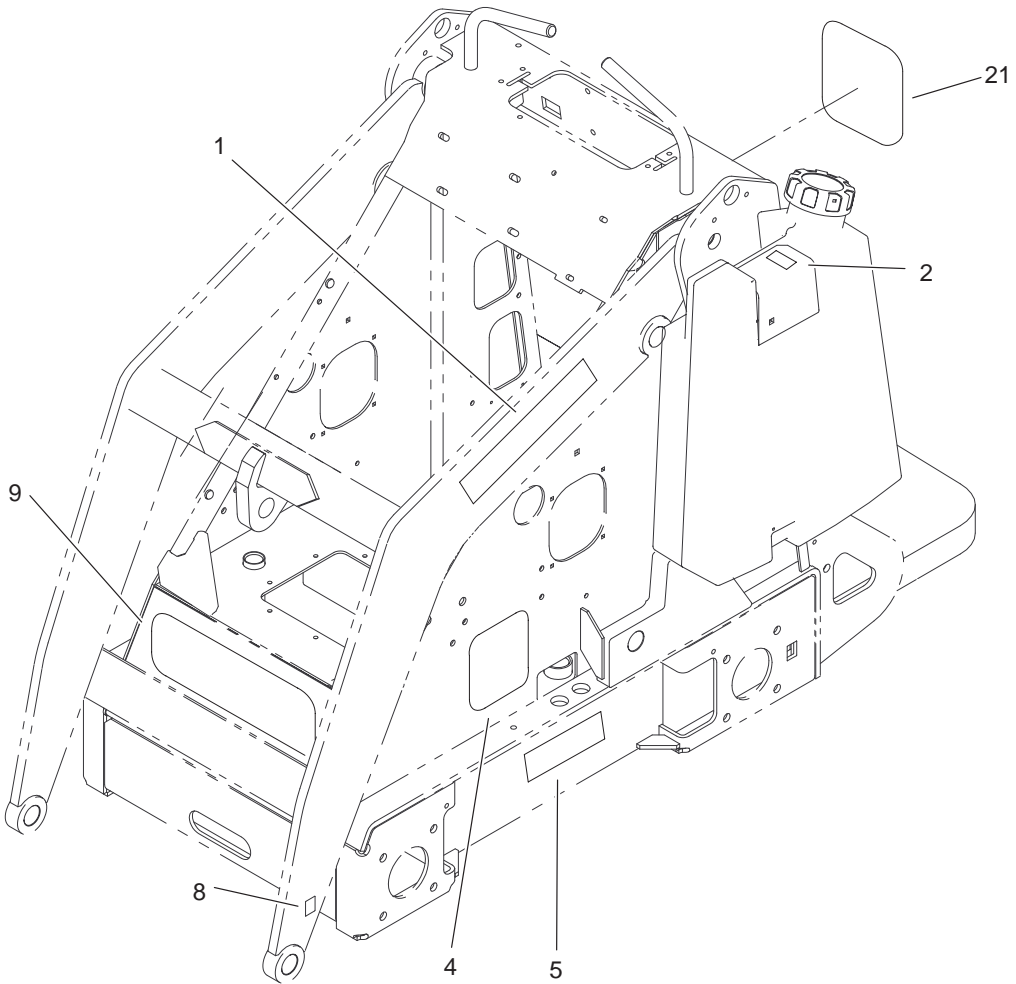


Sheet No.:14

C-2881

Electrical Components Assembly

Ref. No.	Part No.	Qty.	Description	Ref. No.	Part No.	Qty.	Description
1	99-5035	2	Retainer-Battery	24	98-7249	3	Relay-Spdt
2	32144-70	2	Screw-HH	25	32105-8	2	Screw
3	99-5034-03	1	Mount-Battery	26	3256-22	1	Washer-Flat
4	99-5030	1	Pad-Battery	27	3272-1	1	Pin-Cotter
5	100-1708	1	Cable-Battery, Positive	28	321-4	2	Screw-HH
6	100-1721-03	1	Cover-Battery	29	99-1423	1	Rod-Linkage, Threaded
7	2412-133	2	R-Clamp	30	3220-1	1	Nut-Jam
8	32144-14	6	Screw-HWH	31	99-5006	1	Solenoid-Kubota
9	74-0720	1	Tube-Manual	32	2412-31	1	Clamp-Boden
10	3296-42	10	Nut-Lock Ni	33	321-6	3	Screw-HH
11	99-5008-01	1	Retainer-Battery	34	100-2057	1	Regulator ASM
12	99-5039	1	Retainer-Battery	35	98-7611	1	Controller-Glow, F/W
13	100-1709	1	Cable-Battery, Negative	36	100-2215	1	Washer-Spring
14	99-1441	1	Battery	37	100-2171	1	Nut-Hexagon
15	3296-12	4	Nut-Lock	38	72-4310	3	Switch
16	111216	1	Ignition Switch ASM	39	237-42	3	O-Ring
17	3234-33	3	Screw-HHF				
18	100-1707-01	1	Mount-Lamp, Warning				
19	100-1732	1	Cluster-Lamp				
20	63-8360	2	Key-Ignition w/Shield				
21	94-4208	1	Hourmeter				
22	99-5134	1	Harness-Wire, Dingo Kubota				
23	32105-13	2	Screw-Shh				

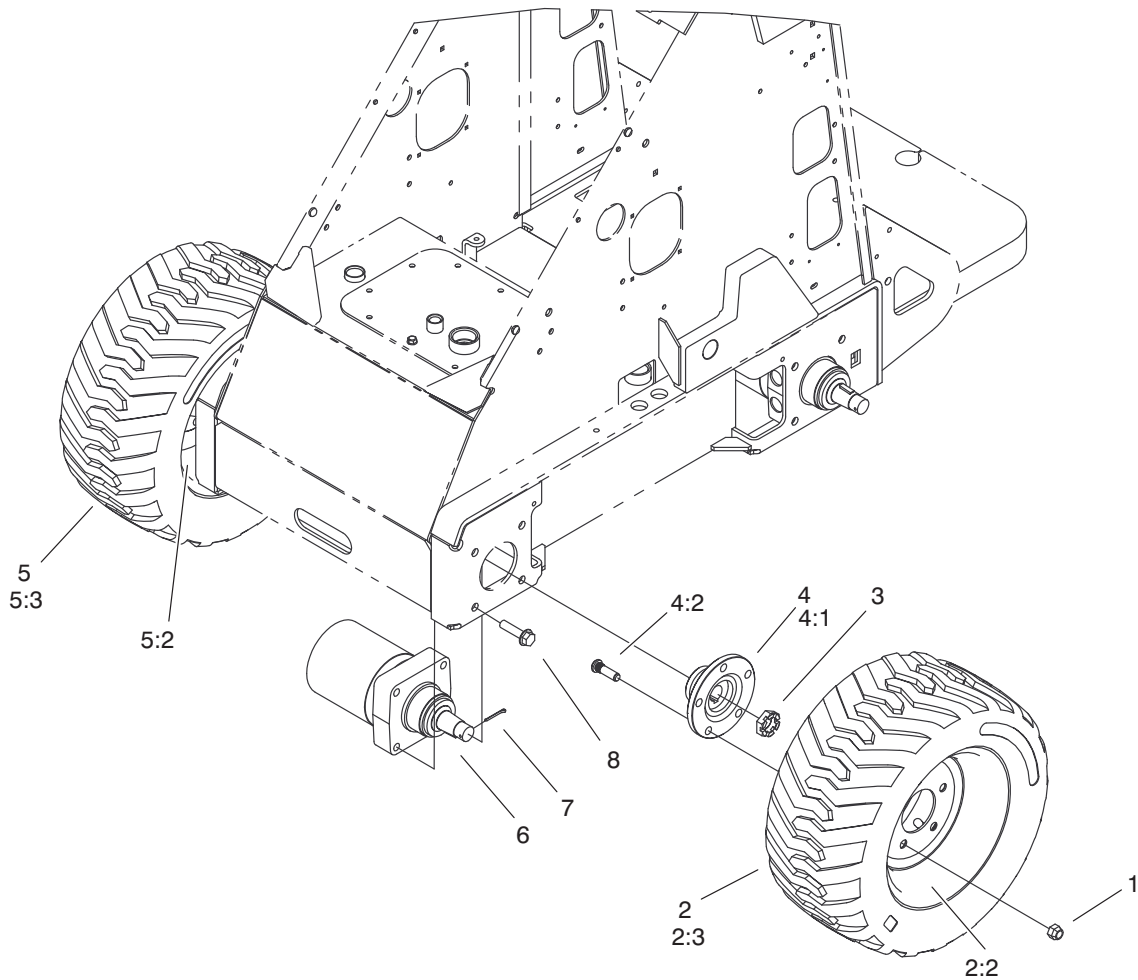


Sheet No.:15
C-2882

Decal Assembly

Ref. No.	Part No.	Qty.	Description
1	99-3167	2	Decal-Dingo 320d
2	93-6680	1	Decal - Diesel Only
4	100-4696	2	Decal-Side
5	99-3068	2	Decal-4-Paw
8	93-9084	6	Decal - Lift Point
9	98-4679	1	Decal - Front
21	98-4680	1	Decal - Side

Ref. No.	Part No.	Qty.	Description

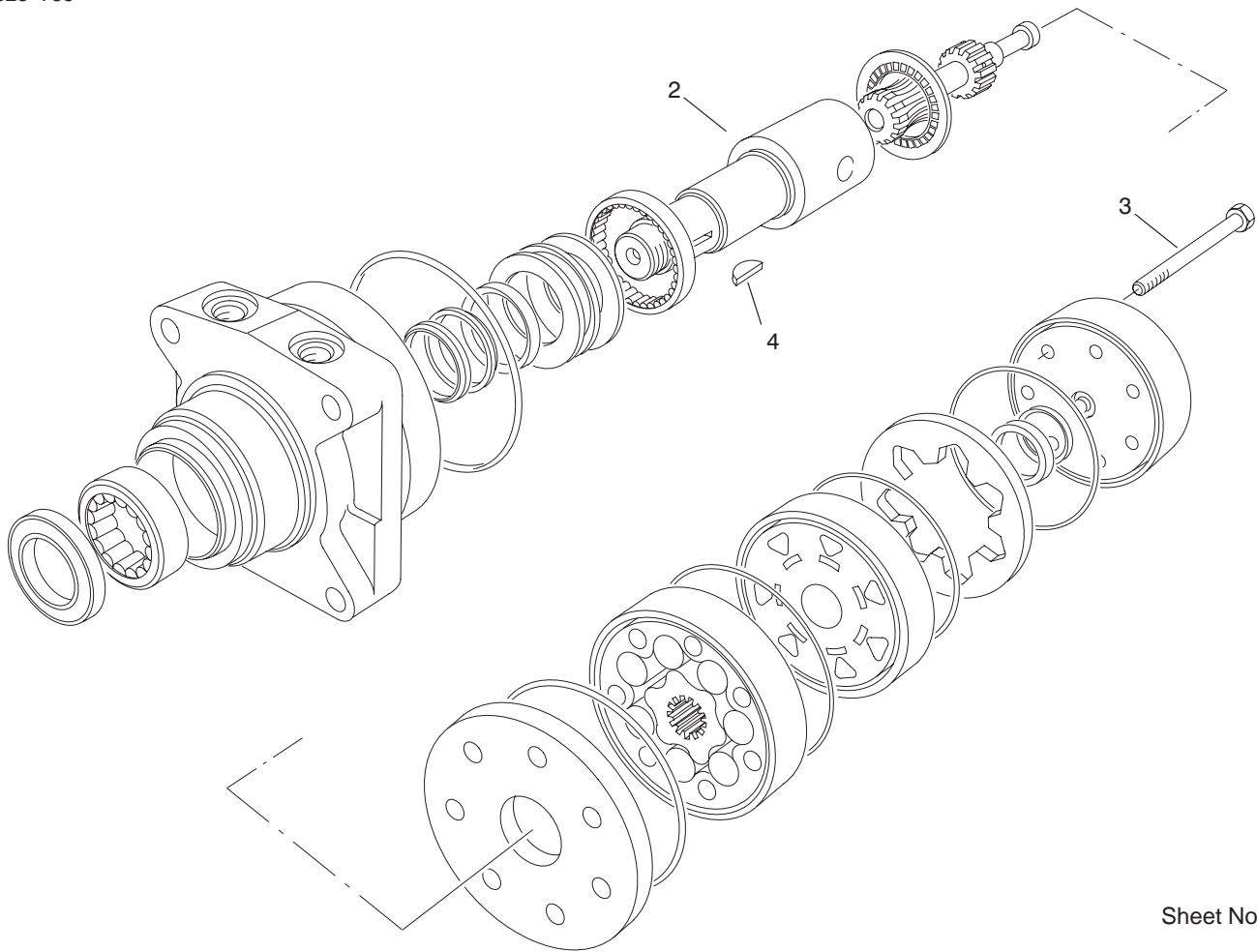


Sheet No.:19

Wheel and Motor Assembly

Ref. No.	Part No.	Qty.	Description	Ref. No.	Part No.	Qty.	Description
1	242-50	20	Nut-Lug				
2	98-2747	2	LH Wheel & Tire ASM				
*2:1	232-27	1	Stem-Valve				
2:2	98-2748	1	Wheel				
2:3	98-2749	1	Tire				
3	99-3139	4	Nut-Wheel, Motor				
4	99-3064	4	Hub ASM				
4:1	99-3053-03	1	Hub-Wheel				
4:2	10-6830	5	Stud-Type, Drive				
5	99-1447	2	RH Wheel & Tire ASM				
*5:1	232-27	1	Stem-Valve				
5:2	98-2748	1	Wheel				
5:3	98-2749	1	Tire				
6	99-3052	4	Hydraulic Motor ASM				
7	99-3171	4	Pin - Cotter				
8	3234-27	16	Screw-Flange				

* Not Illustrated



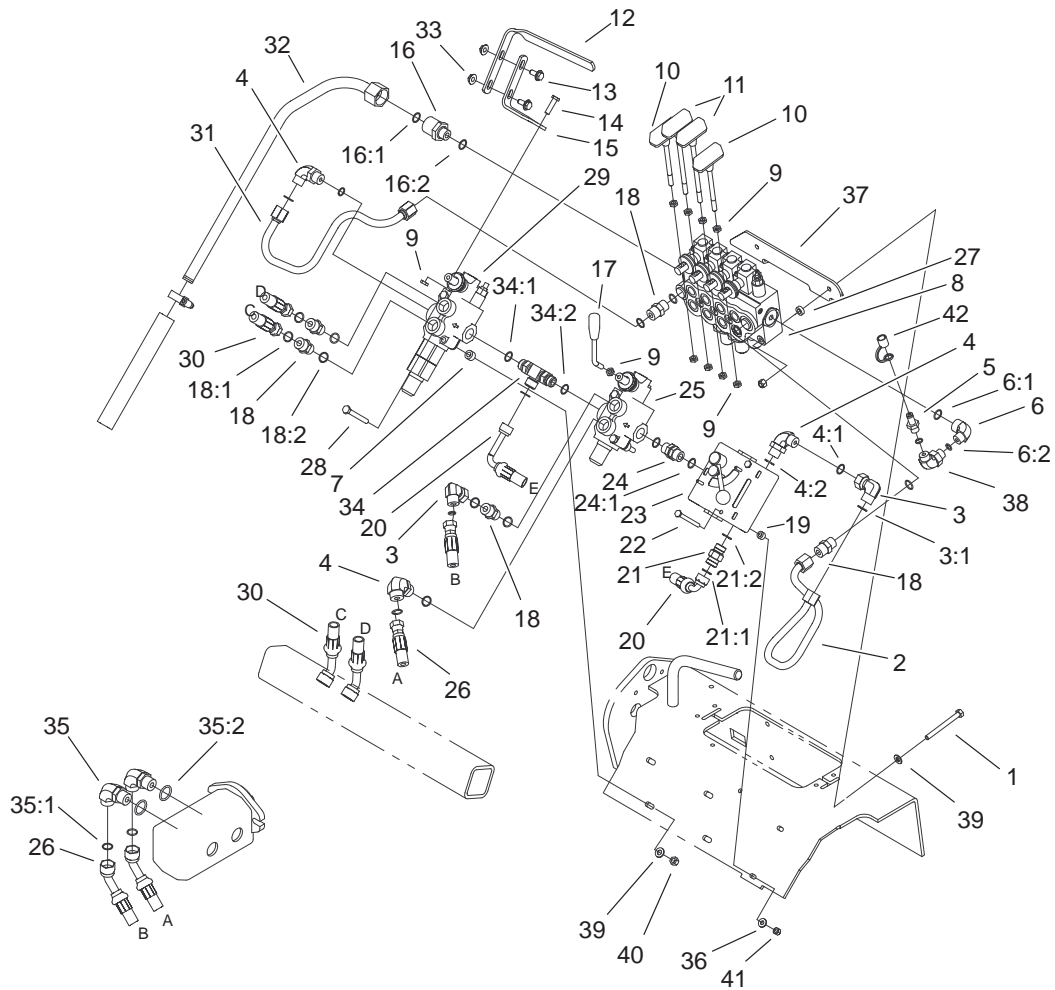
Sheet No.:A2

Hydraulic Motor Assembly No. 99-3052

Ref. No.	Part No.	Qty.	Description
*1	94-8178	1	Kit-Seal, Wheel Motor
2	99-3090	1	Shaft-Coupling
3	99-3091	7	Screw-Cap. Hex Hd
4	3257-42	1	Key-Woodruff

Ref. No.	Part No.	Qty.	Description

* Not illustrated

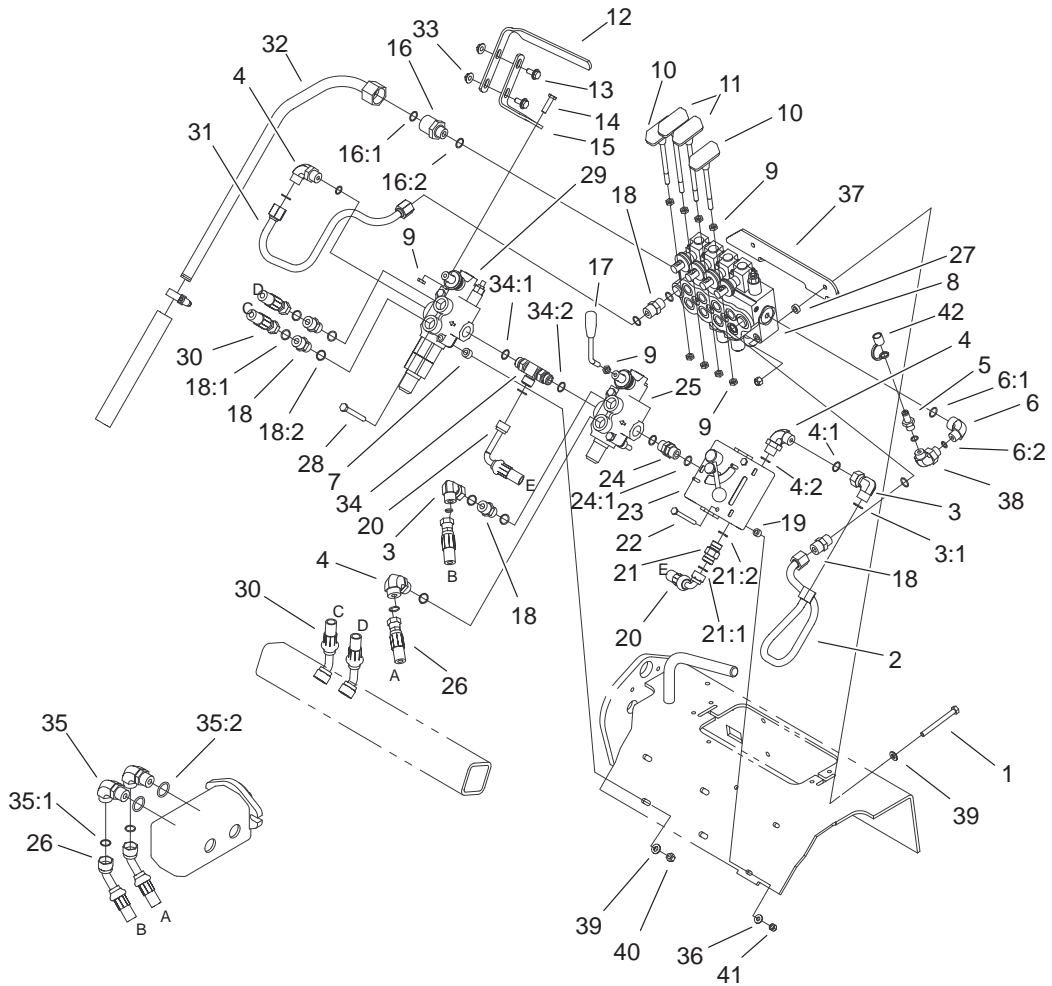


Sheet No.:20

Hydraulic Valve Assembly

Ref. No.	Part No.	Qty.	Description
1	322-20	3	Screw-HH
2	99-3030	1	Line-Hyd, Cf
3	94-6031	2	Fitting-Hyd
3:1	237-30	1	O-Ring
4	340-98	3	Fitting-90°
4:1	237-30	1	O-Ring
4:2	237-79	1	O-Ring
5	86-5480	1	Nipple-Test
6	340-18	1	Fitting
6:1	237-79	1	O-Ring
6:2	237-22	1	O-Ring
7	98-4695	5	Tube-Spacer
8	99-3070	1	Valve-Hydraulic, 4-Spool
9	42-9580	9	Nut-Hex
10	98-4671	2	Cylinder Handle ASM
11	98-4670	2	Drive Handle ASM
12	98-9090	1	Grip-Control
13	3234-5	1	Screw-HHF
14	33104-030	1	Screw-HHF
15	99-1376	1	Mount-Control
16	98-9921	1	Fitting-Thread, Straight
16:1	237-145	1	O-Ring
16:2	237-79	1	O-Ring
17	98-4729	1	Lever-Valve
18	340-4	5	Adapter

Ref. No.	Part No.	Qty.	Description
18:1	237-30	3	O-Ring
18:2	237-79	3	O-Ring
19	98-4799	2	Tube-Spacer
20	100-2245	1	Hose ASM
21	98-4735	1	Valve-Check, Hyd
21:1	237-30	1	O-Ring
21:2	237-79	1	O-Ring
22	321-14	2	Screw-HH
23	99-3073	1	Valve-Flow, Hydraulic
24	95-3209	1	Fitting-Thread, Straight
24:1	237-79	2	O-Ring
25	99-3072	1	Valve-Select, Hyd
26	100-1730	2	Hose-Pump, Hyd
27	99-3078	2	Spacer
28	322-13	4	Screw-HH
29	99-3077	1	Valve-Aux, Hydraulic
30	98-4728	2	Hose-Aux, Hyd
31	98-4724	1	Line-Aux, Hydraulic
32	99-3021	1	Line-Tank, Hydraulic
33	32128-44	1	Nut
34	98-9079	1	Adapter - Tee, Adjustable
34:1	237-30	1	O-Ring
34:2	237-79	2	O-Ring
35	340-105	2	Fitting-Hyd., 90°
35:1	237-30	1	O-Ring

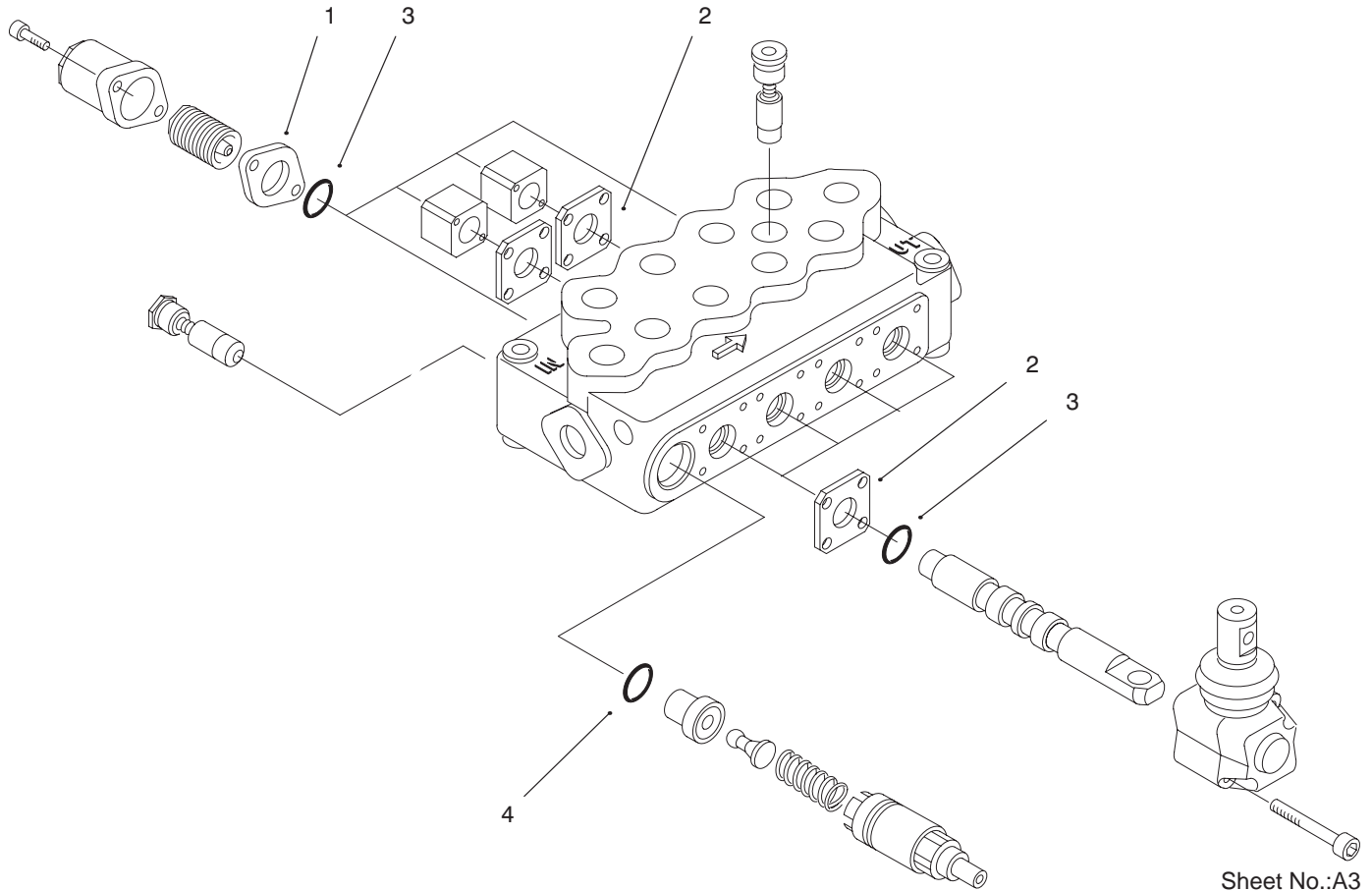


Sheet No.:20

Hydraulic Valve Assembly (Continued)

Ref. No.	Part No.	Qty.	Description
35:2	237-80	1	O-Ring
36	3256-22	2	Washer-Flat
37	99-3079-03	1	Bracket-Mount, Cover
38	340-159	1	Fitting-Hyd., 90°
39	3256-23	7	Washer-Flat
40	3296-29	7	Nut-Lock
41	3296-42	2	Nut-Lock
42	354-79	1	Cap - Fitting, Yellow

Ref. No.	Part No.	Qty.	Description



Sheet No.:A3

C-2834

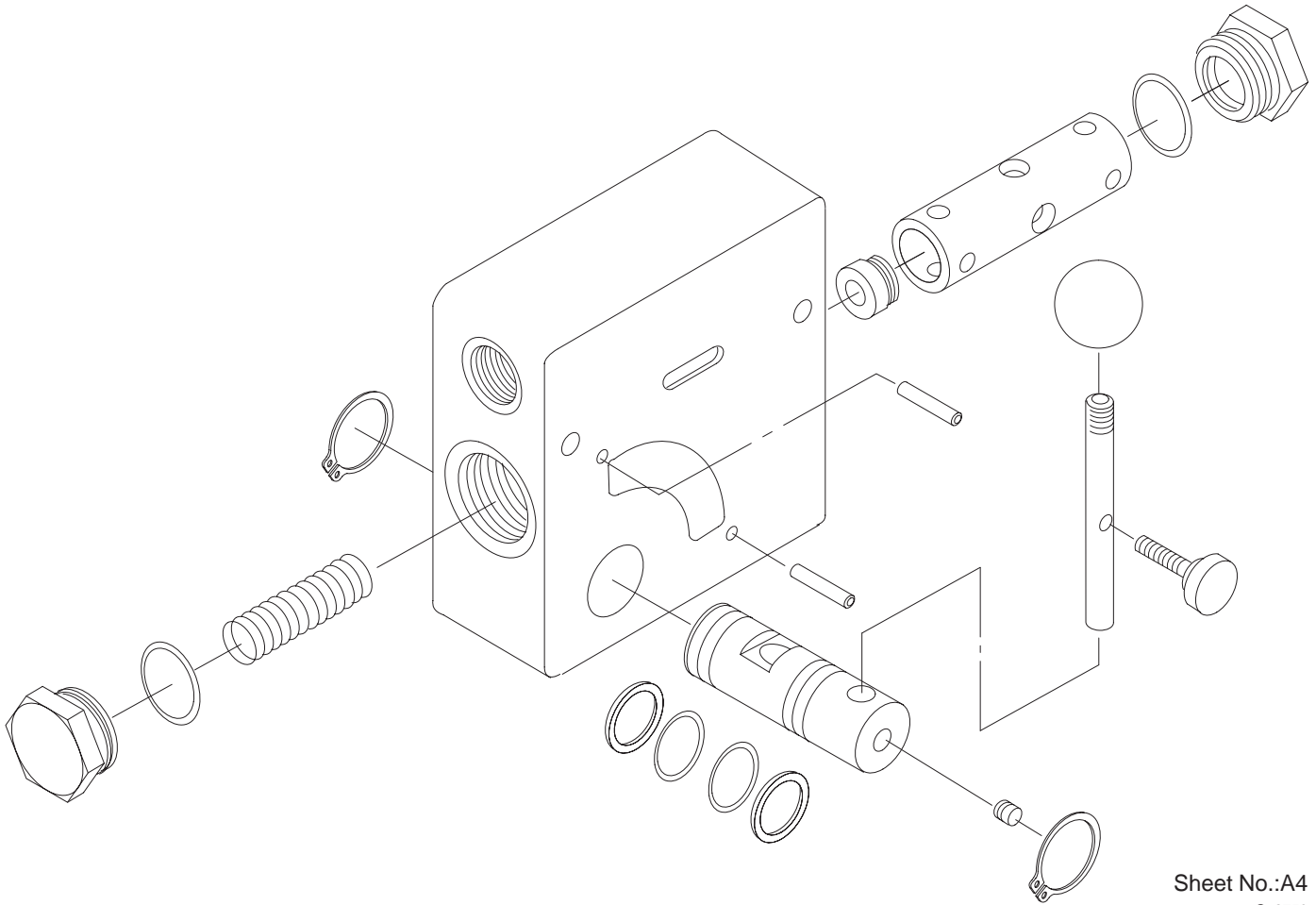
Hydraulic Valve Assembly No. 99-3070

Ref. No.	Part No.	Qty.	Description
1	99-3074	4	Gasket
2	99-3075	6	Gasket
†3		8	O-Ring
†4		1	O-Ring
*	99-4390	1	Seal Kit (Incl. Ref.# 3 & 4)

Ref. No.	Part No.	Qty.	Description

* Not Illustrated

† Not Serviced Separately



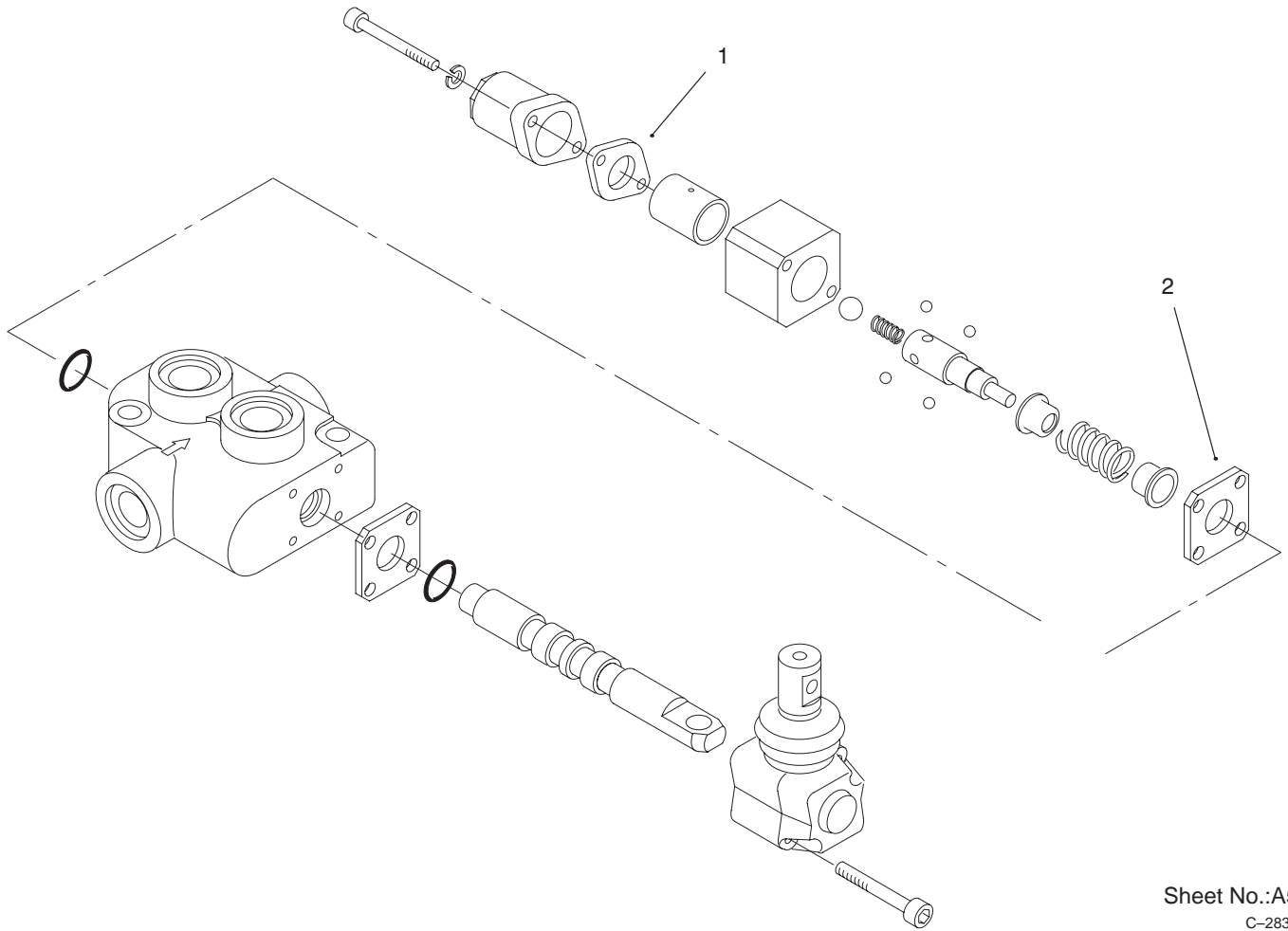
Sheet No.:A4
C-2759

Hydraulic Valve Assembly No. 99-3073

Ref. No.	Part No.	Qty.	Description
*1	98-9097	1	Seal Kit Handle Kit
*2	98-9098		

Ref. No.	Part No.	Qty.	Description
----------	----------	------	-------------

* Not Illustrated



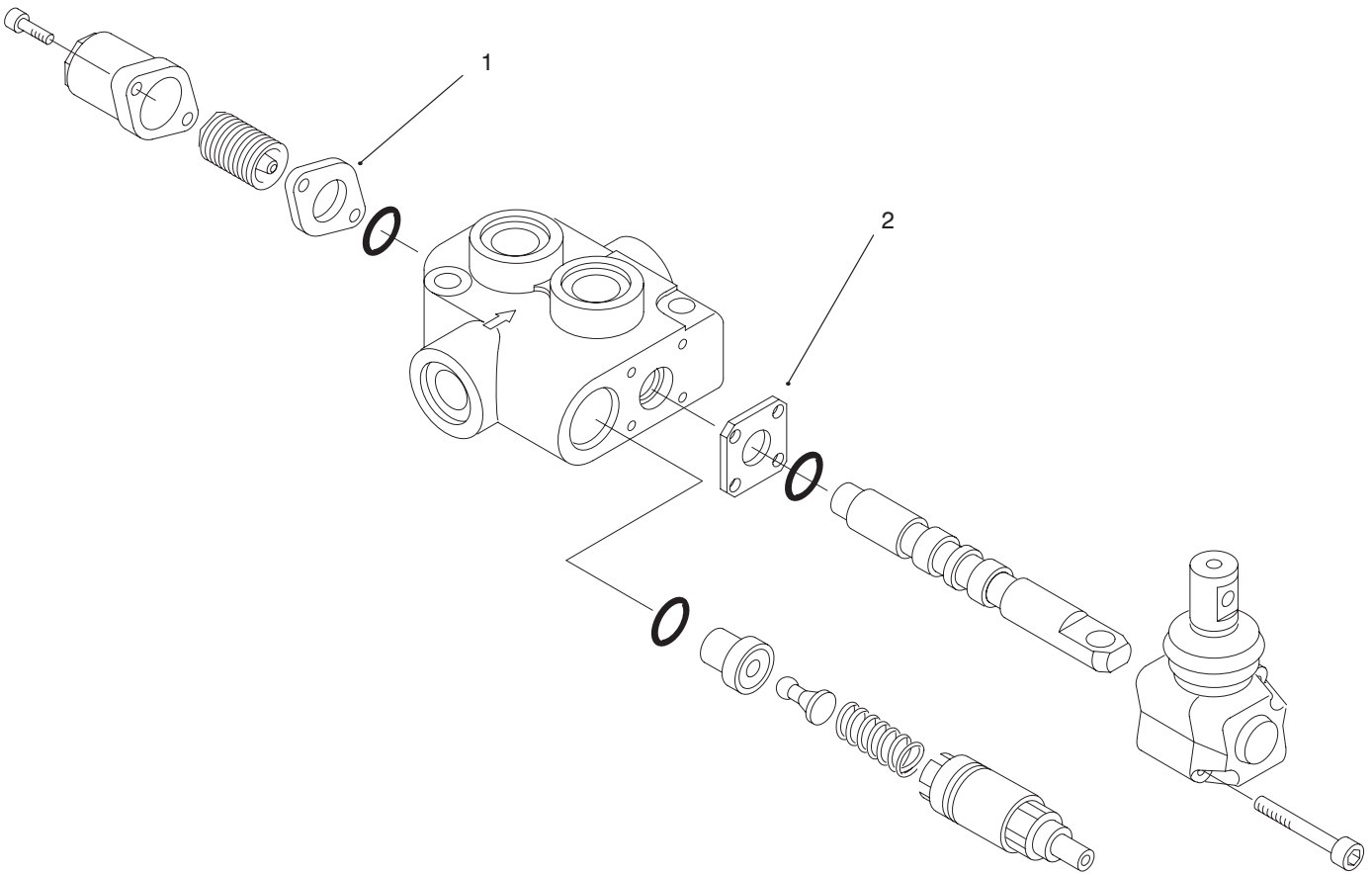
Sheet No.:A5
C-2835

Hydraulic Valve Assembly No. 99-3072

Ref. No.	Part No.	Qty.	Description
1	99-3074	1	Gasket
2	99-3075	1	Gasket
*3	99-4391	1	Kit-Seal, Sd4 (Incl. Ref. # 1, 2 & 4)
*4	99-3076	1	Tie-Strap

Ref. No.	Part No.	Qty.	Description

* Not Illustrated



Sheet No.:A6
C-2836

Hydraulic Valve Assembly No. 99-3077

Ref. No.	Part No.	Qty.	Description
1	99-3075	3	Gasket
2	99-3074	1	Gasket
*3	99-4391	1	Kit-Seal, Sd4 (Incl. Ref. # 1, 2 & 4)
*4	99-3076	1	Tie-Strap

Ref. No.	Part No.	Qty.	Description

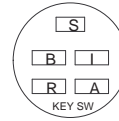
* Not Illustrated

Electrical Schematic

KUBOTA DINGO SCHEMATIC

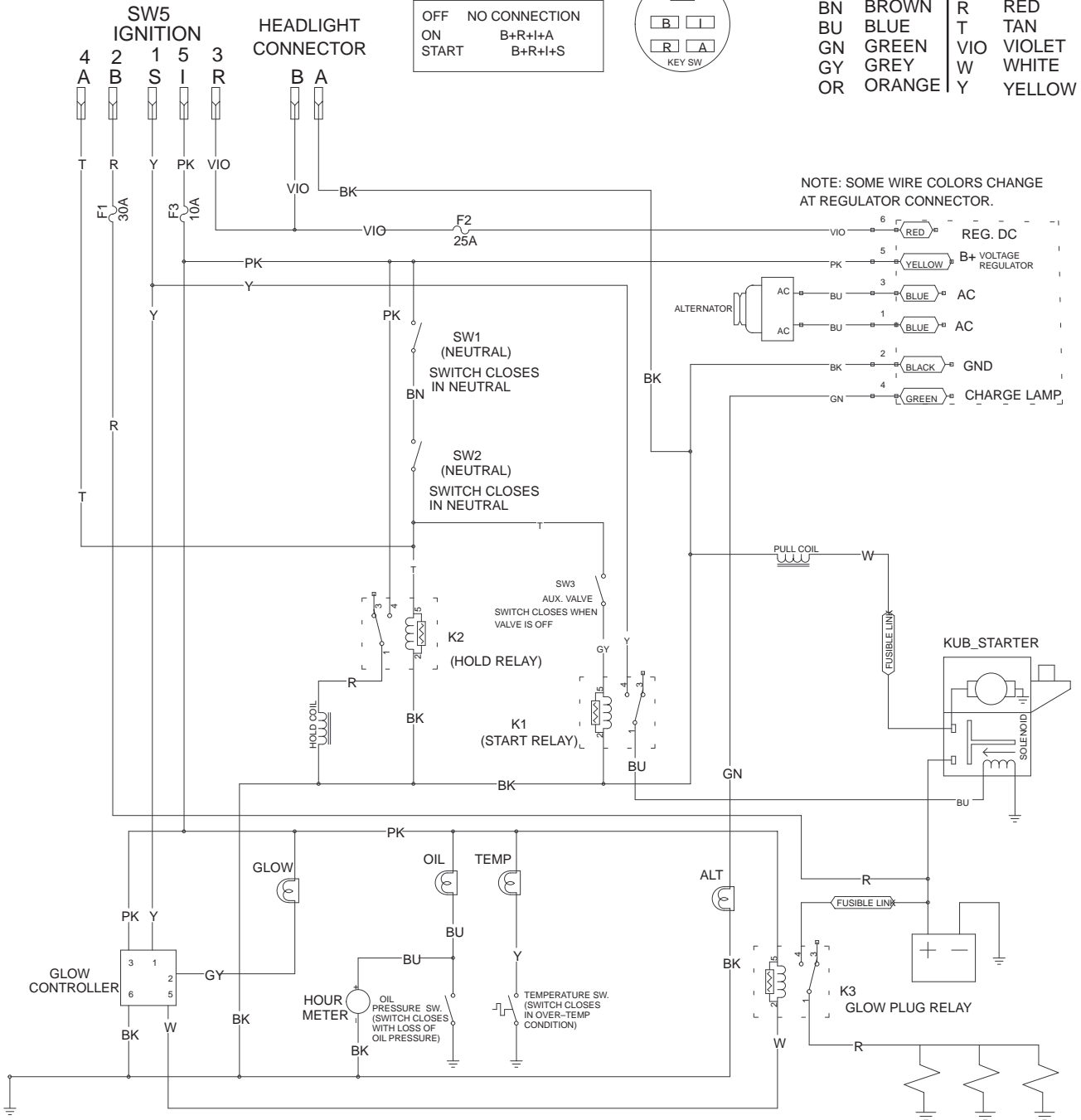
KEY SWITCH P/N 111216

OFF	NO CONNECTION
ON	B+R+I+A
START	B+R+I+S

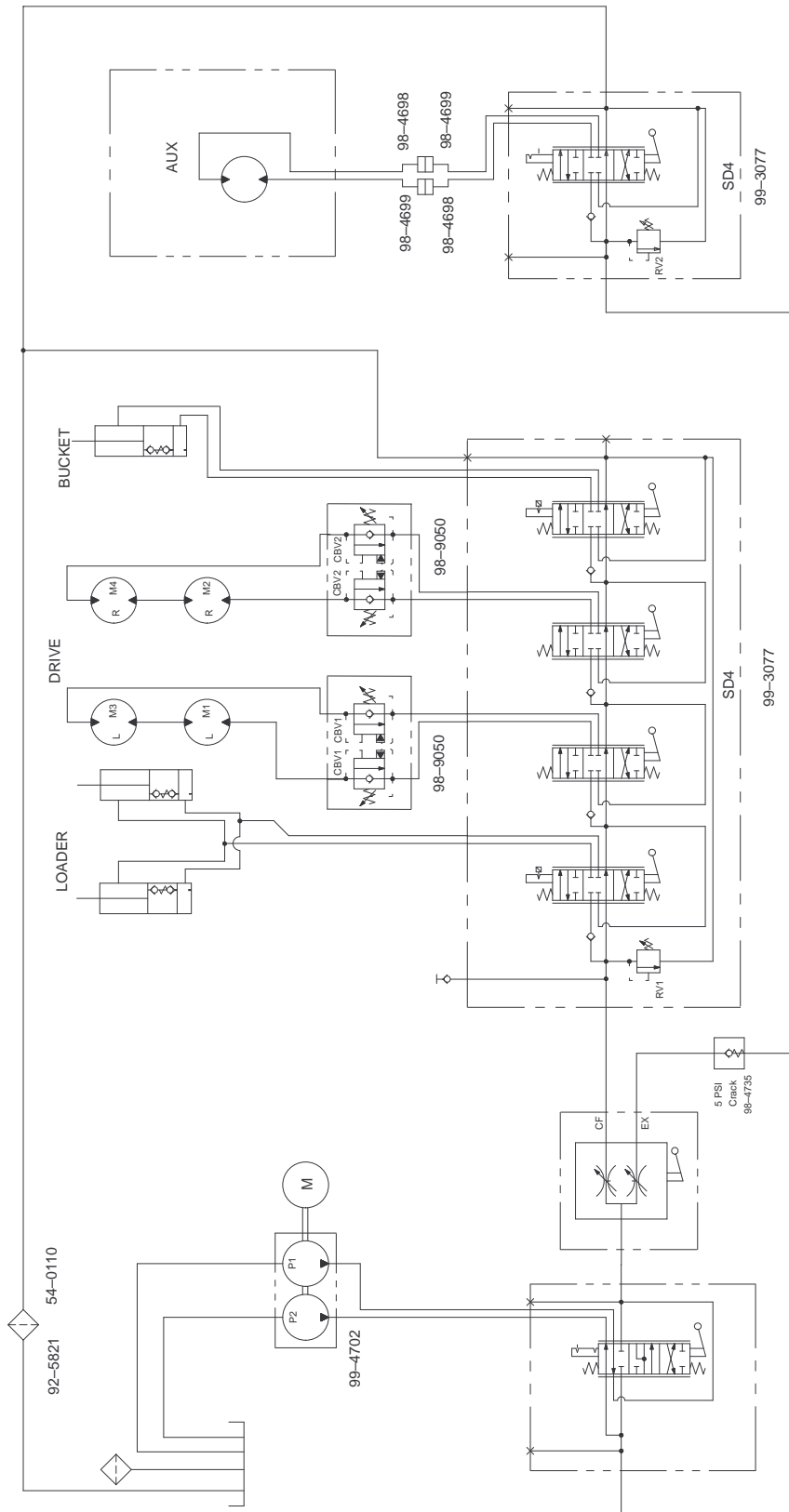


WIRE COLOR CODES

BK	BLACK	PK	PINK
BN	BROWN	R	RED
BU	BLUE	T	TAN
GN	GREEN	VIO	VIOLET
GY	GREY	W	WHITE
OR	ORANGE	Y	YELLOW

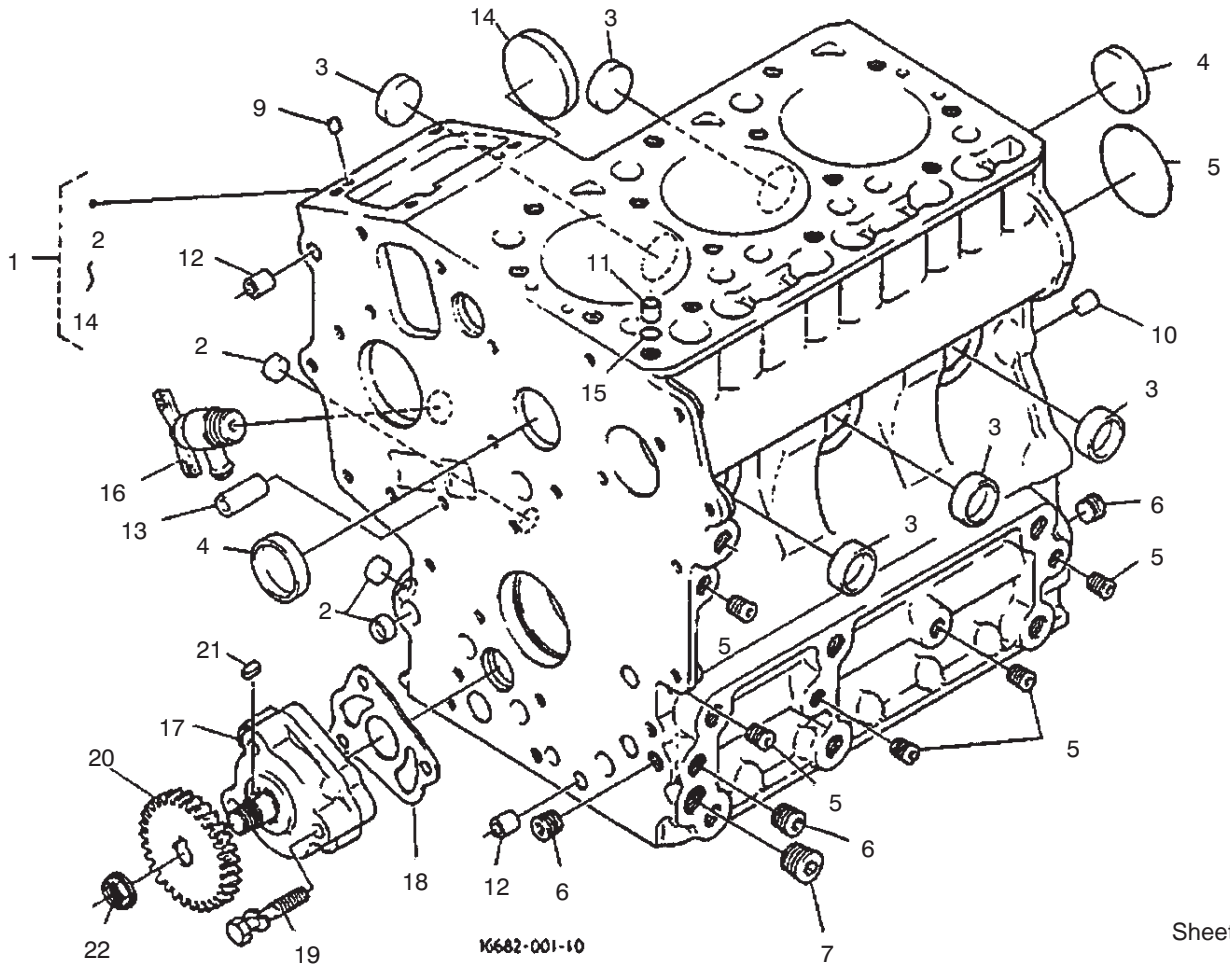


Hydraulic Schematic



DISPLACEMENT AND PRESSURE CHART						
COMPONENT	DISPLACEMENT		PRESSURE		FLOWRATE*	
COMPONENT	CU IN/REV	CU CM/REV	PSI	BARS	GPM	LPM
P1	0.55 CU IN	9 CC			8.5	32.1
P2	0.24 CU IN	4 CC			3.7	14.0
M1, M3	29.1 CU IN	476 CC				
M2, M4	29.1 CU IN	476 CC				
RV1			3000 PSI	207 BARS		
RV2			3000 PSI	207 BARS		
CBV1			1000 PSI	69 BARS		
CBV2			1000 PSI	69 BARS		

* FLOWRATE CALCULATED AT 3750 RPM AND 95% EFFICIENCY.

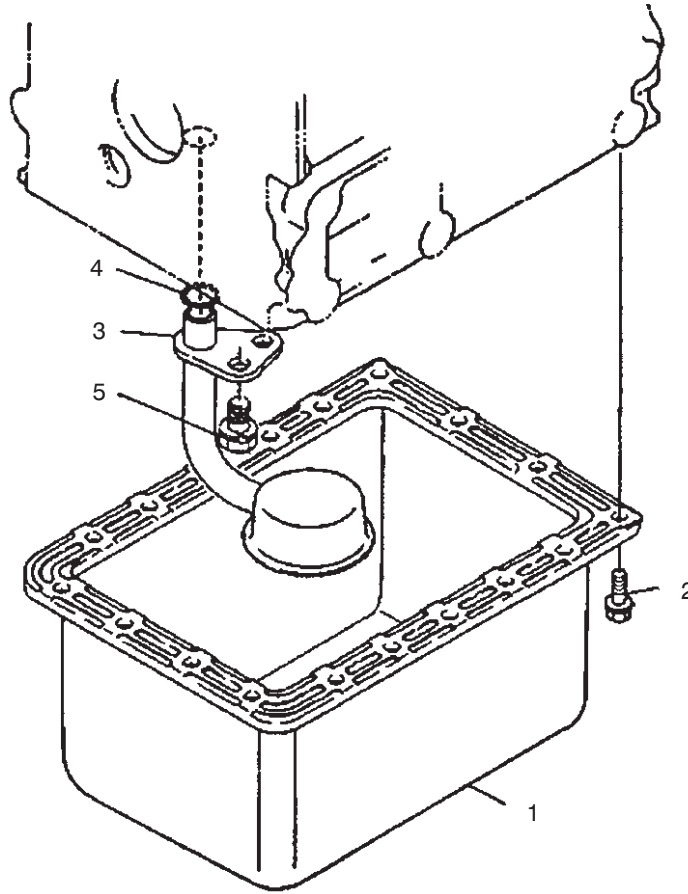


Sheet No.:2

Crankcase Assembly

Ref. No.	Part No.	Qty.	Description
1	100-2167	1	Crankcase-Comp.
2	100-2019	3	Cap-Sealing
3	100-2020	5	Cap-Sealing
4	98-9398	2	Cap-Sealing
5	98-7540	5	Cap-Sealing
6	98-7487	3	Plug
7	98-7488	1	Plug
8	100-1851	1	Plug
9	98-9375	2	Pin-Straight
10	98-9377	2	Pin-Straight
11	98-7506	1	Pin-Pipe
12	98-9387	2	Pin-Pipe
13	100-2051	2	Pin-Pipe
14	100-1991	1	Cover-Fuel, Camshaft
15	98-7509	1	O-Ring
16	98-9436	1	Drain Cock ASM
17	100-2002	1	Oil Pump ASM
18	100-2003	1	Gasket-Pump, Oil
19	100-1923	3	Bolt
20	100-1893	1	Gear-Drive, Oil Pump
21	98-7658	1	Key-Feather
22	100-1779	1	Nut-Flange

Ref. No.	Part No.	Qty.	Description



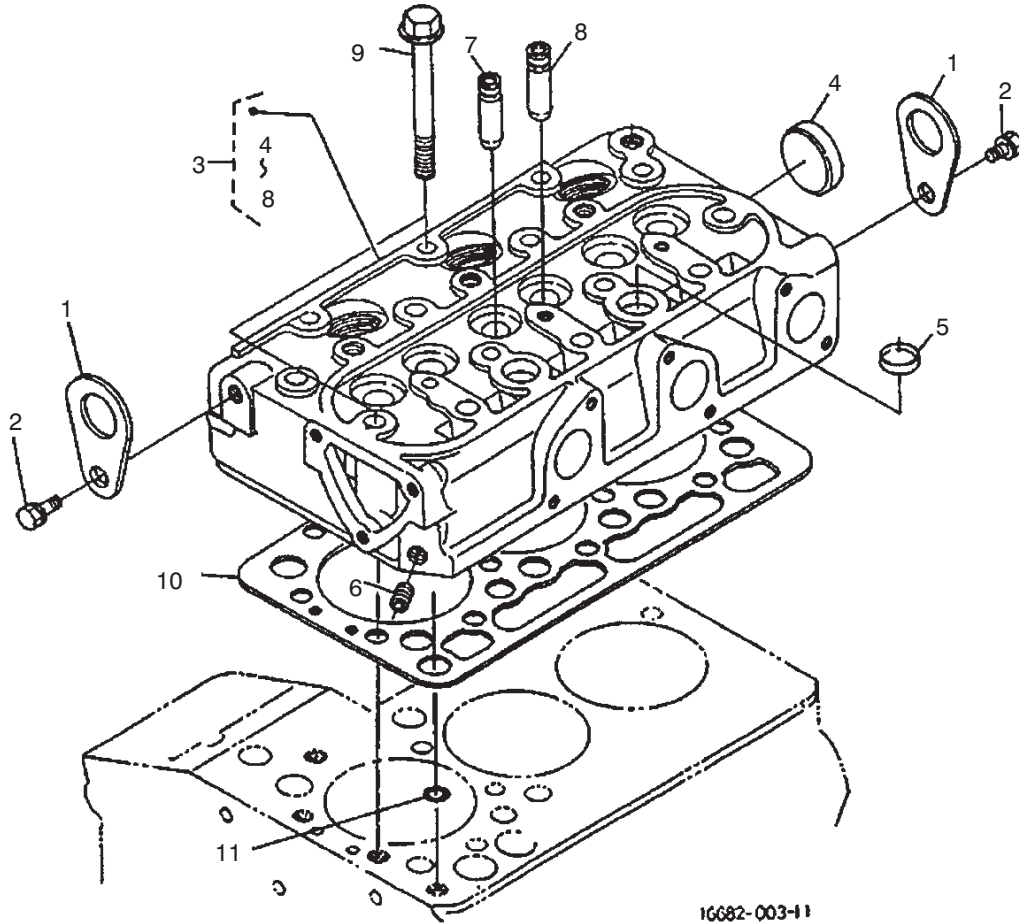
16602-002-10

Sheet No.:3

Oil Pan Assembly

Ref. No.	Part No.	Qty.	Description
1	100-2239	1	Pan-Oil, Comp,
2	98-9350	18	Bolt
3	100-2001	1	Strainer-Oil Internal
4	100-2205	1	O-Ring
5	98-7585	1	Bolt

Ref. No.	Part No.	Qty.	Description



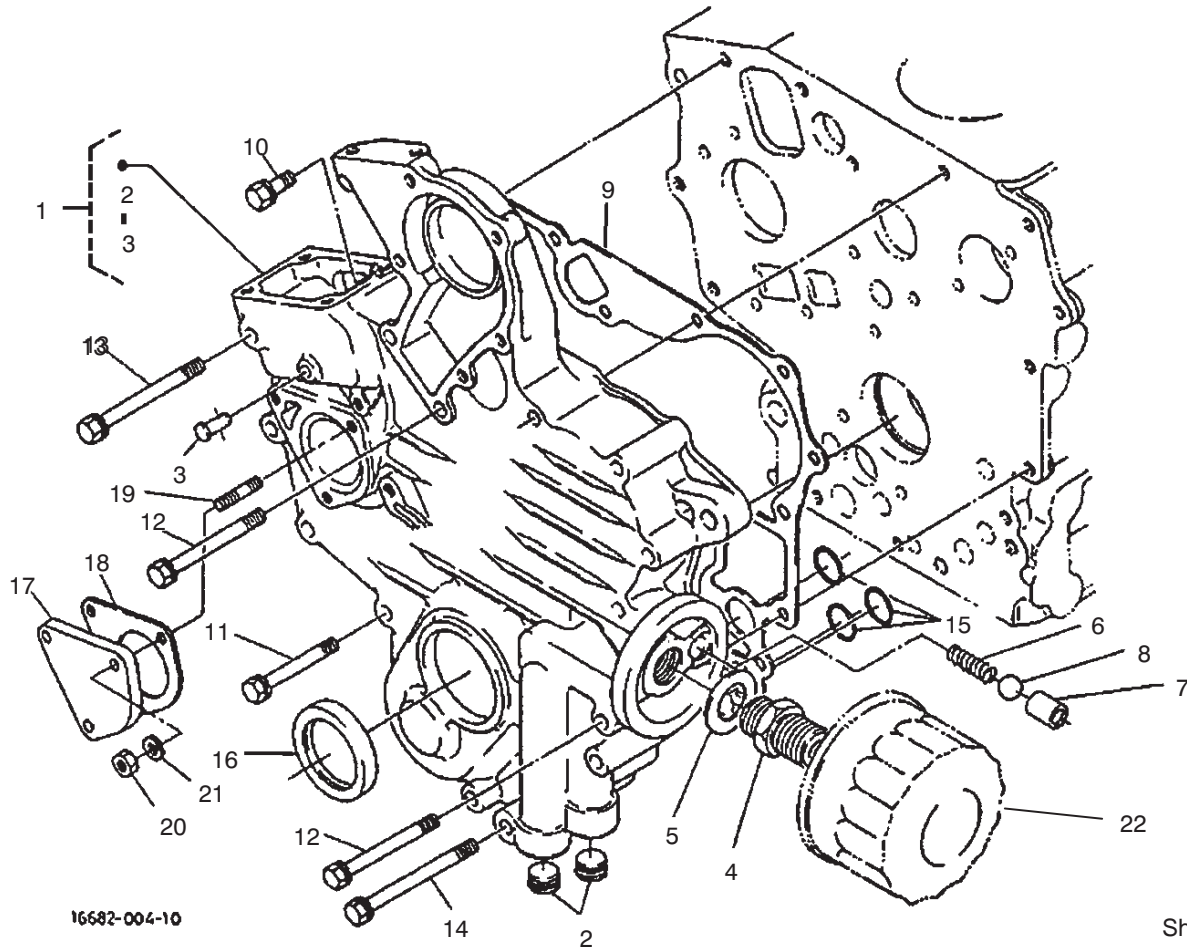
16682-003-11

Sheet No.:4

Cylinder Head Assembly

Ref. No.	Part No.	Qty.	Description
1	98-7531	2	Engine-Hook
2	98-7526	2	Bolt
3	100-2246	1	Head-Cylinder, Comp.
4	98-9395	1	Cap-Sealing
5	98-9389	2	Cap-Sealing
6	98-7540	1	Cap-Sealing
7	100-1882	3	Guide-Valve, Inlet
8	100-1883	3	Guide-Valve, Exhaust
9	100-1820	14	Bolt-Head, Cylinder
10	100-2043	1	Gasket-Head, Cylinder
11	98-7509	1	O-Ring

Ref. No.	Part No.	Qty.	Description

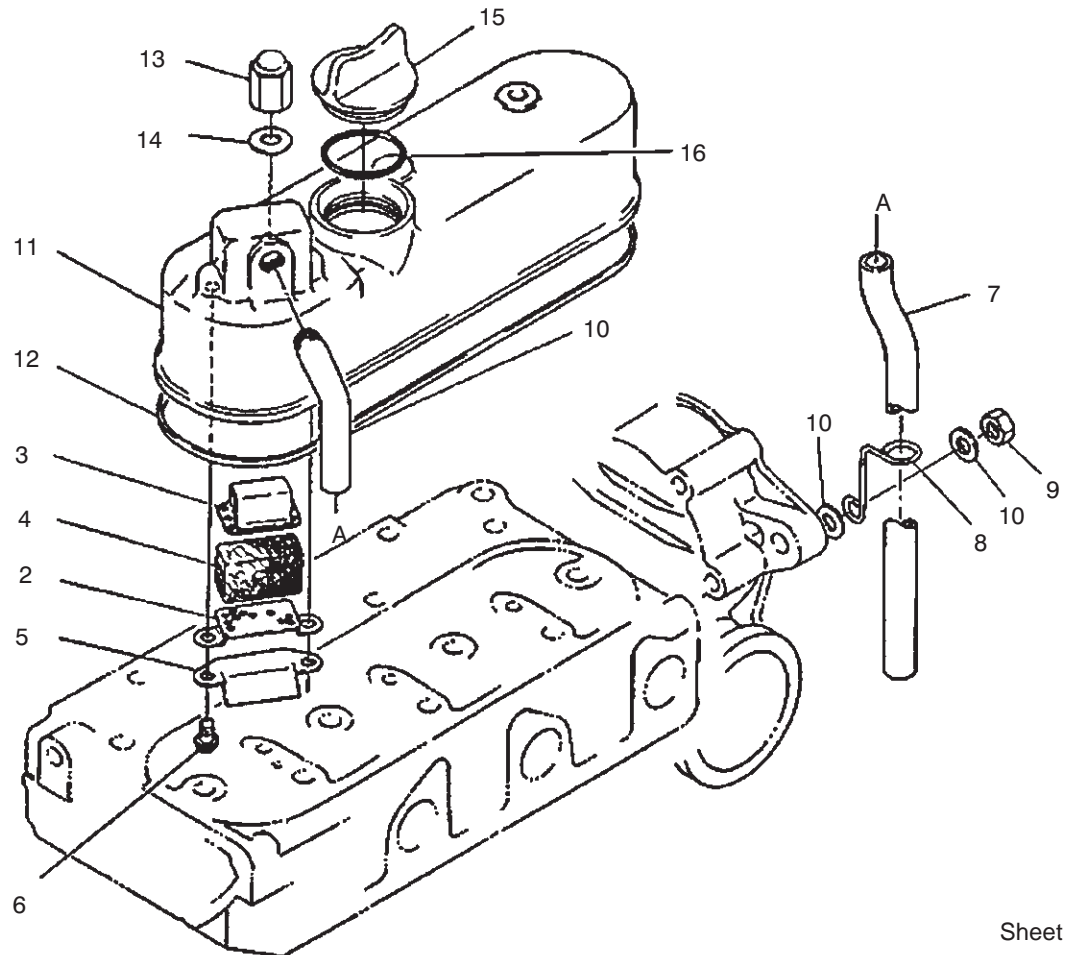


Sheet No.:5

Gear Case Assembly

Ref. No.	Part No.	Qty.	Description
1	100-2048	1	Case-Gear, Comp.
2	98-7546	2	Plug
3	100-1910	1	Pin-Spring, Start
4	98-9388	1	Pipe-Joint
5	100-1926	1	Washer-Plain
6	100-2004	1	Spring
7	100-1894	1	Seat-Valve
8	100-1792	1	Ball
9	100-1954	1	Gasket-Gearcase
10	98-7605	1	Bolt
11	100-2201	8	Bolt
12	100-1922	5	Bolt
13	100-1766	1	Bolt
14	100-1767	1	Bolt
15	100-2206	3	O-Ring
16	100-1971	1	Seat-Oil
17	100-2060	1	Cover
18	100-2061	1	Gasket-Gearcase, H/M
19	98-7571	3	Stud
20	98-7572	3	Nut
21	98-9367	3	Washer-Spring
22	100-1892	1	Cartridge-Filter, Oil

Ref. No.	Part No.	Qty.	Description

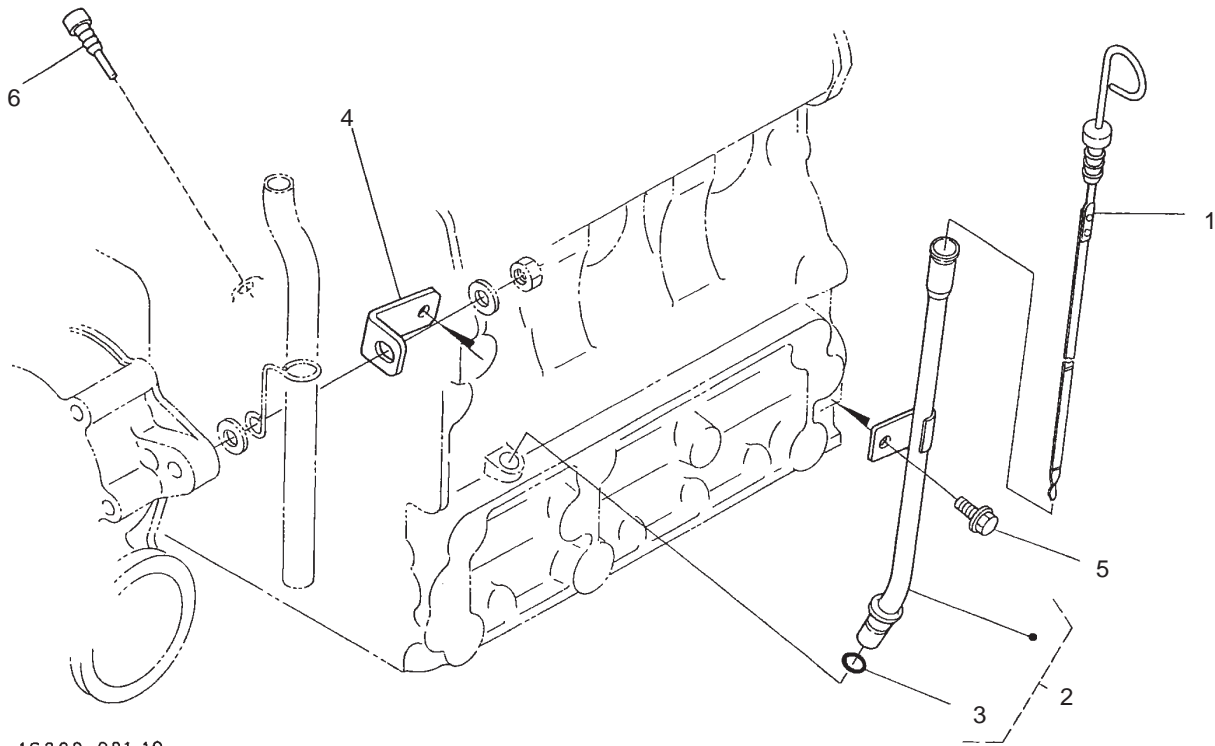


16871-009-10

Sheet No.:6

Head Cover Assembly

Ref. No.	Part No.	Qty.	Description	Ref. No.	Part No.	Qty.	Description
1	100-1972	1	Joint-Pipe, Breather				
2	100-1877	1	Plate-Element				
3	100-1878	1	Plate-Element				
4	100-1881	1	Element-Breather				
5	100-1879	1	Breather-Shield, Oil				
6	100-2040	2	Screw				
7	100-1880	1	Pipe-Breather				
8	100-1973	1	Clamp-Pipe				
9	98-7739	1	Nut				
10	98-7660	2	Washer-Plain				
11	100-2029	1	Cover-Head, Cylinder				
12	100-2030	1	Gasket-Cover, Head				
13	98-7655	3	Nut-Cap				
14	98-7654	3	Gasket				
15	98-9449	1	Plug-Filler, Oil				
16	99-3446	1	O-Ring				



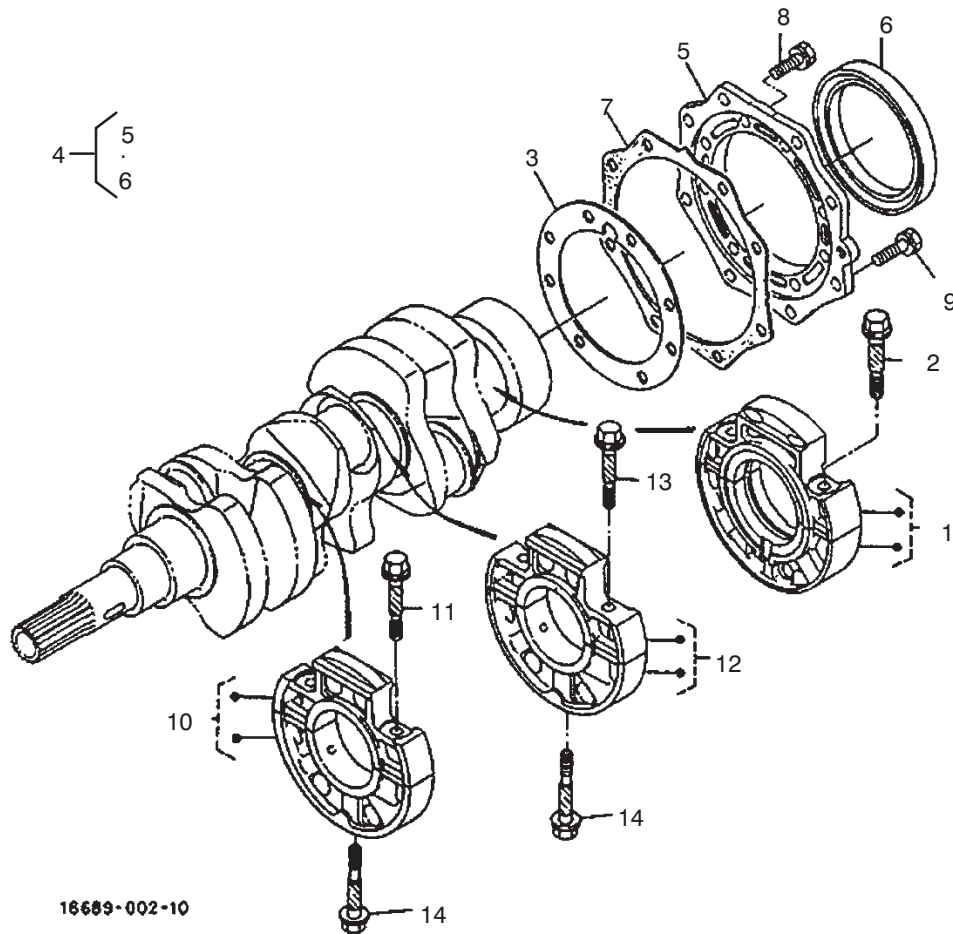
1G299-081-10

Sheet No.:7

Dipstick and Guide Assembly

Ref. No.	Part No.	Qty.	Description
1	100-2247	1	Gauge-Oil
2	100-2241	1	Oil Gauge Guide ASM
3	98-9374	1	O-Ring
4	100-2248	1	Support-Guide, Gauge
5	100-1774	1	Bolt-Flange
6	100-2229	1	Plug-Rubber

Ref. No.	Part No.	Qty.	Description

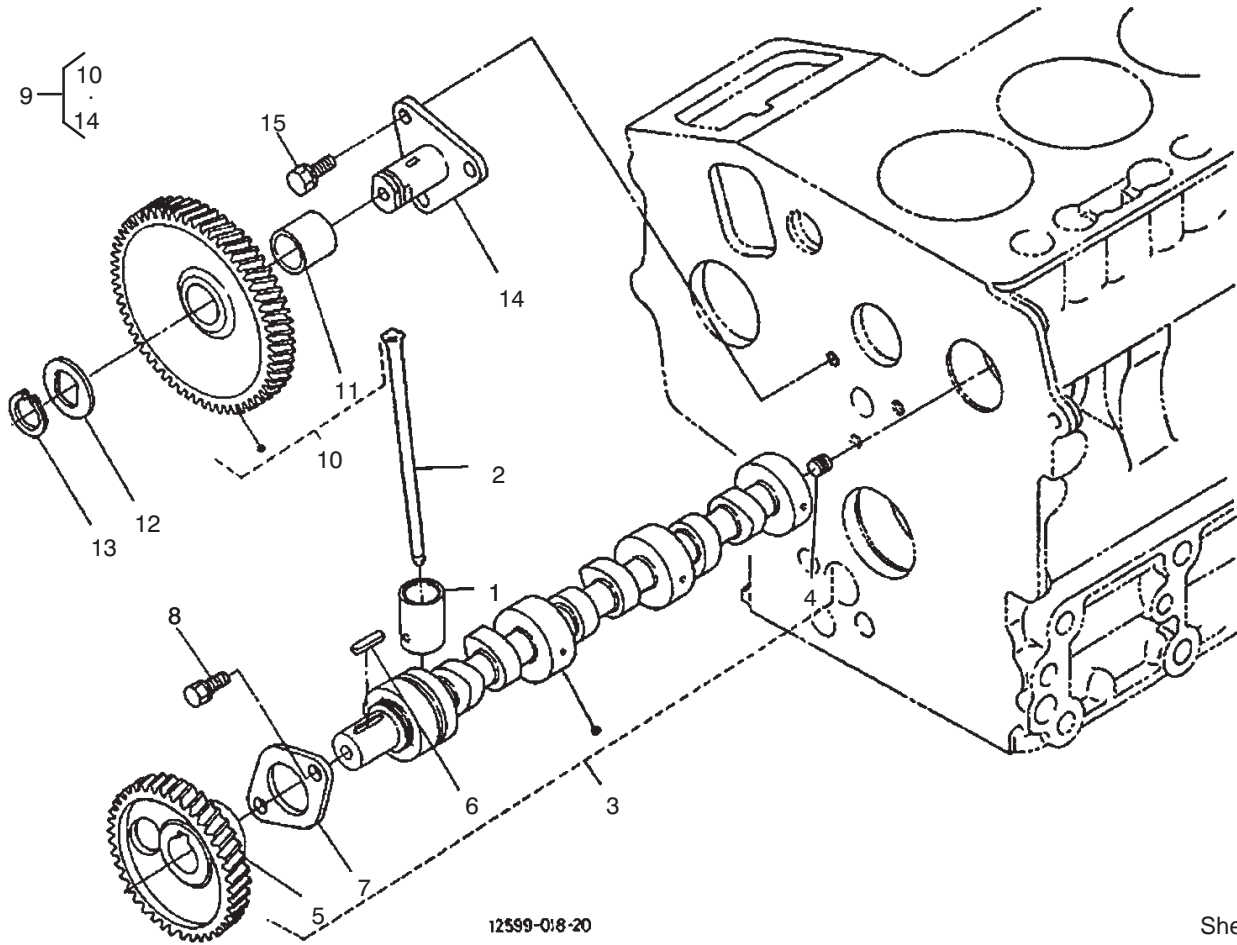


Sheet No.:8

Main Bearing Case Assembly

Ref. No.	Part No.	Qty.	Description
1	100-1988	1	Main Bearing Case ASM
2	100-1757	2	Bolt-Case, Bearing
3	100-1929	1	Gasket-Case, Bearing
4	100-2233	1	Bearing Case Cover ASM
5	100-1875	1	Cover-Case, Bearing
6	100-2055	1	Seal-Oil
7	100-1876	1	Gasket-Case, Bearing
8	98-7568	8	Bolt
9	100-1750	8	Bolt
10	100-1987	1	Main Bearing Case ASM
11	100-1757	2	Bolt-Case, Bearing
12	100-2027	1	Main Bearing Case ASM
13	100-1757	2	Bolt-Case, Bearing
14	100-1874	2	Bolt-Case, Bearing

Ref. No.	Part No.	Qty.	Description

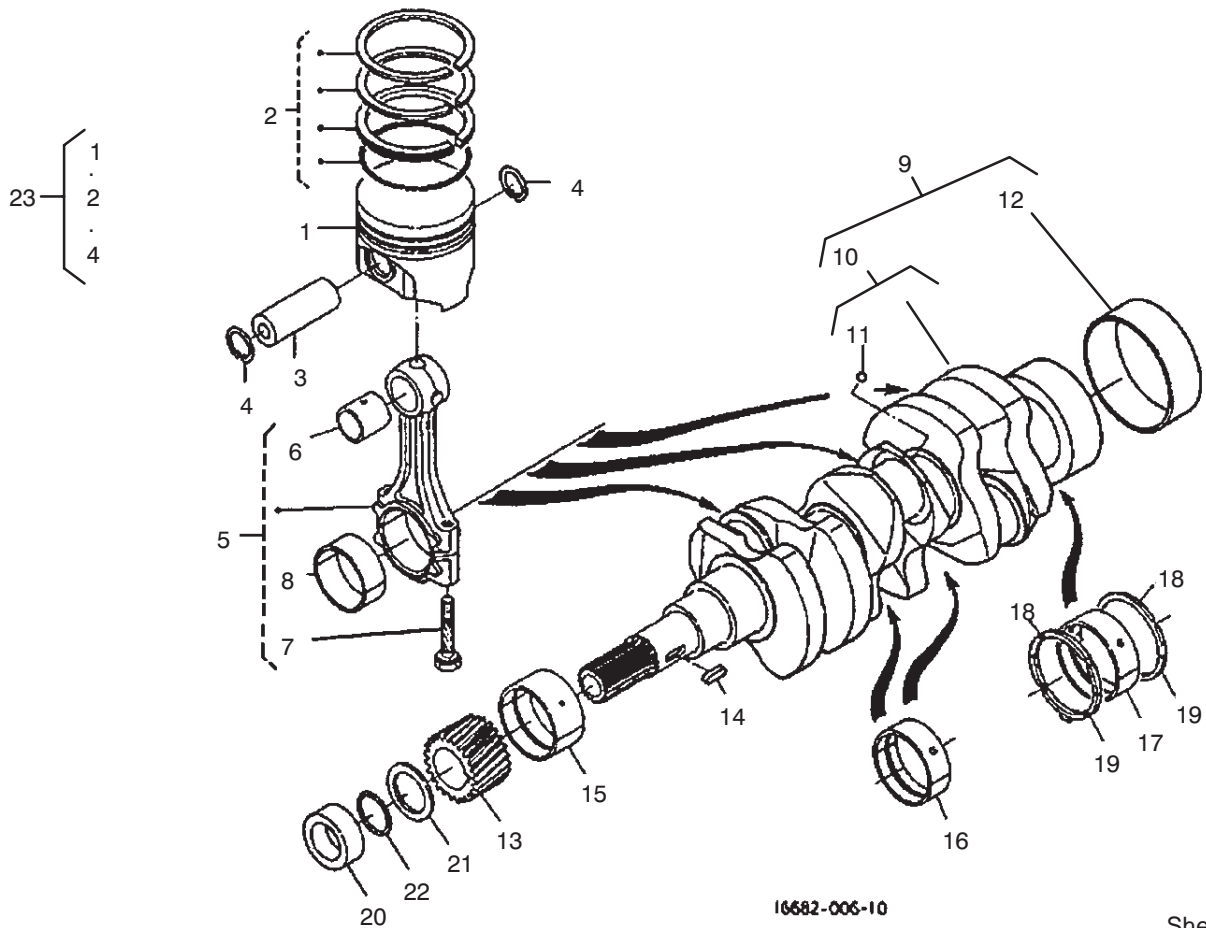


Sheet No.:9

Camshaft Assembly

Ref. No.	Part No.	Qty.	Description
1	100-1990	6	Tappet
2	100-1989	6	Rod-Push
3	100-2162	1	Camshaft ASM
4	98-7449	1	Screw-Set
5	100-2163	1	Gear-Camshaft
6	98-9378	1	Key-Feather
7	100-1887	1	Stopper-Camshaft
8	98-9350	2	Bolt
9	100-2240	1	Idle Gear ASM
10	100-1966	1	Gear-Idle, Comp.
11	100-1968	1	Bush
12	100-1970	1	Collar-Gear, Idle
13	100-1969	1	Ring-Snap
14	100-1967	1	Shaft-Gear, Idle
15	98-9351	3	Bolt

Ref. No.	Part No.	Qty.	Description



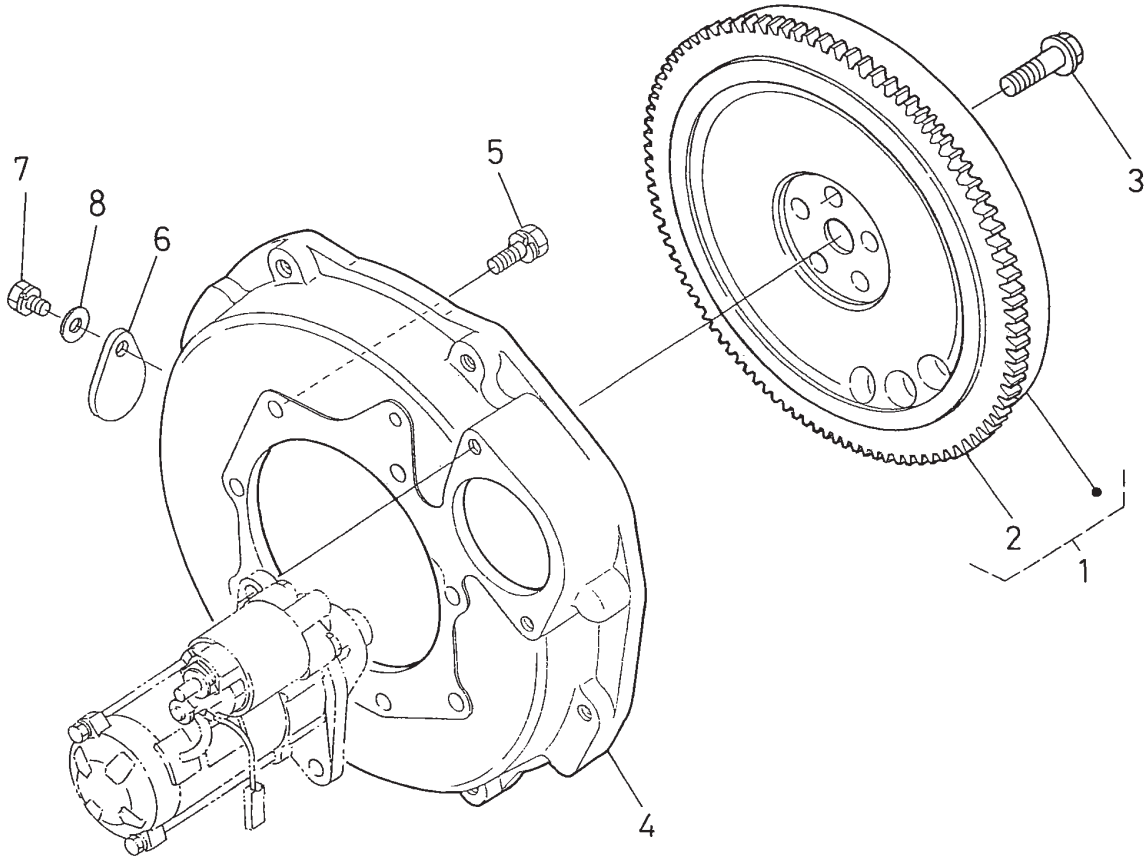
I6682-006-10

Sheet No.:10

Piston and Crankshaft Assembly

Ref. No.	Part No.	Qty.	Description
1	100-1994	3	Piston (STD.)
1	100-1996	3	Piston (+0.25 Mm)
2	100-2158	3	Piston Ring ASM
2	100-2159	3	Piston Ring ASM
3	100-1995	3	Pin-Piston
4	100-1835	6	Cir-Cup, Piston Pin
5	100-1998	3	Connecting Rod ASM
6	100-1997	3	Bush-Pin, Piston
7	100-1999	6	Bolt-Rod, Connecting
8	100-1942	3	Crankpin-Metal (-0.2 Mm)
8	100-1943	3	Crankpin-Metal (-0.4 Mm)
8	100-2000	3	Crankpin-Metal (STD.)
9	100-2161	1	Crankshaft ASM
10	100-2160	1	Crankshaft-Comp.
11	100-1791	3	Ball
12	100-2054	1	Sleeve-Crankshaft
13	100-1891	1	Gear-Crankshaft
14	100-1752	1	Key-Feather
15	100-1944	1	Crankshaft-Metal (STD.)
15	100-1947	1	Crankshaft-Metal (-0.2 Mm)
15	100-1948	1	Crankshaft-Metal (-0.4 Mm)

Ref. No.	Part No.	Qty.	Description
16	100-1945	2	Crankshaft-Metal (-0.2 Mm Set)
16	100-1946	2	Crankshaft-Metal (-0.4 Mm Set)
16	100-2033	2	Crankshaft-Metal (STD. Set)
17	100-1870	2	Crankshaft-Metal (-0.2 Mm)
17	100-1871	2	Crankshaft-Metal (-0.4 Mm)
17	100-2032	2	Crankshaft-Metal (STD.)
18	100-1836	2	Metal-Side (STD.)
18	100-1838	2	Metal-Side (+0.2 Mm)
18	100-1839	2	Metal-Side (+0.4 Mm)
19	100-1837	2	Metal-Side (STD.)
19	100-1840	2	Metal-Side (+2.0 Mm)
19	100-1841	2	Metal-Side (+4.0 Mm)
20	100-1890	1	Collar-Crankshaft
21	100-1974	1	Slinger-Oil
22	100-2209	1	O-Ring
23	100-2164	1	Kit-Piston



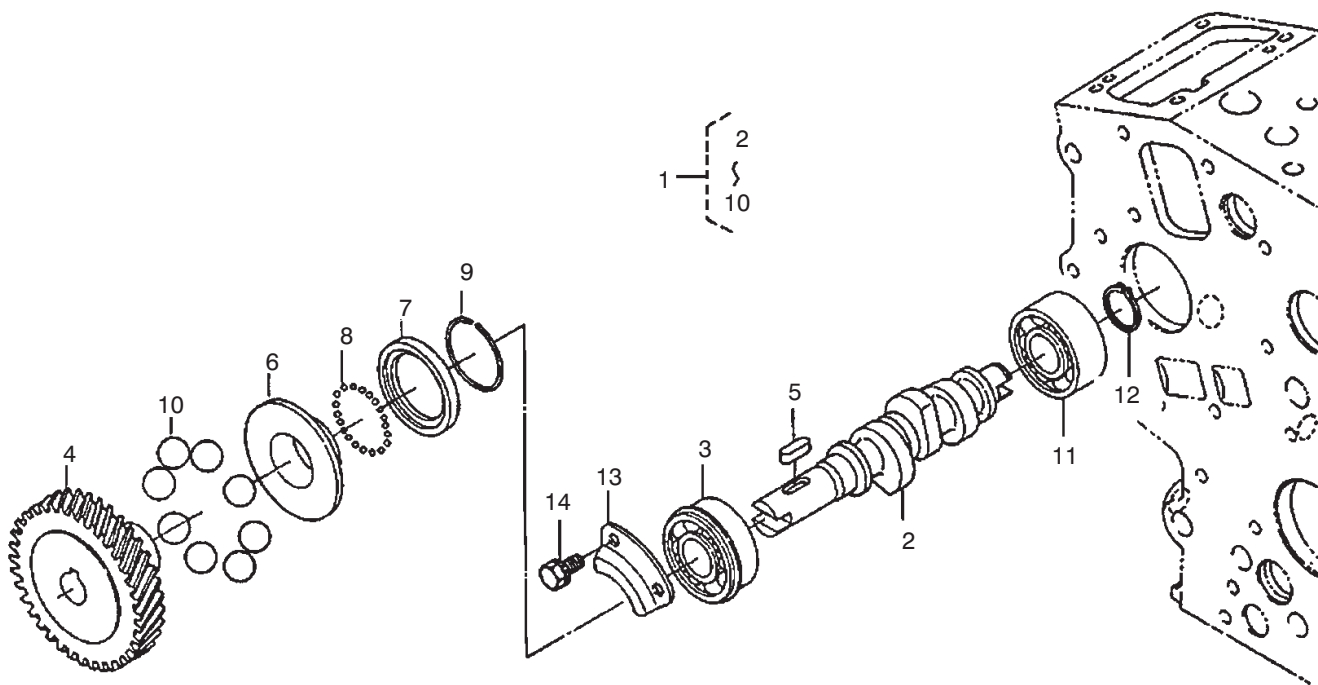
1G299-080-10

Sheet No.:11

Flywheel Assembly

Ref. No.	Part No.	Qty.	Description
1	100-2034	1	Flywheel-Comp.
2	100-2156	1	Gear-Ring
3	100-1930	5	Bolt-Flywheel
4	100-2234	1	Plate-End, Rear
5	98-9359	10	Bolt
6	100-2177	1	Cover
7	98-7585	1	Bolt
8	98-7660	1	Washer-Plain

Ref. No.	Part No.	Qty.	Description



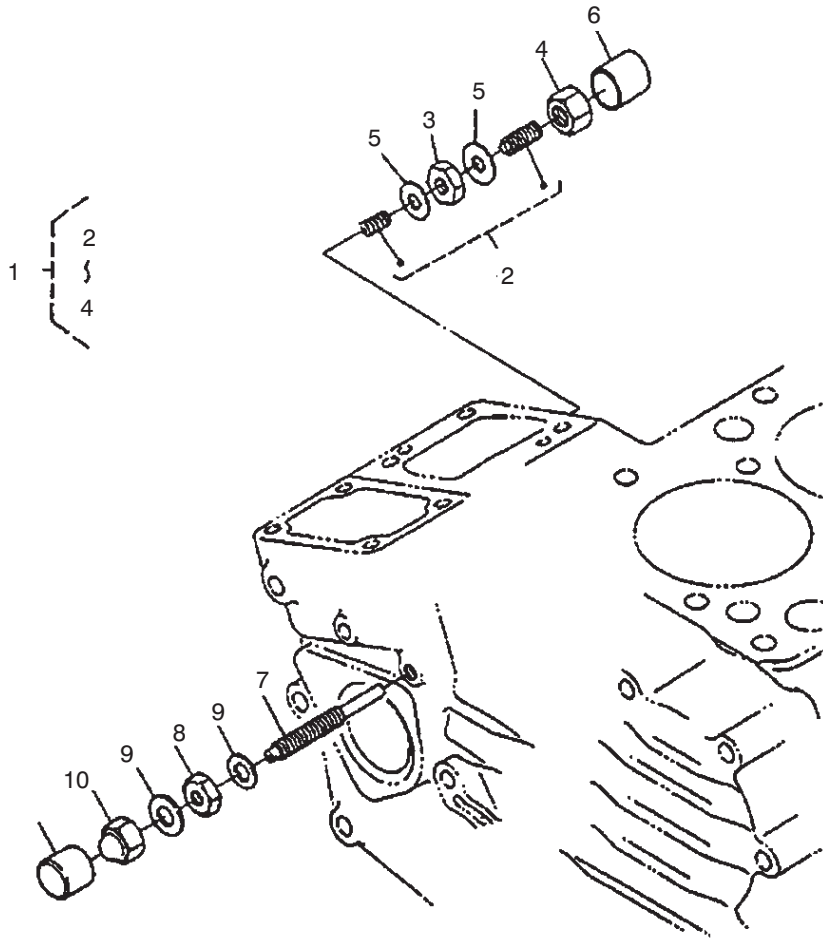
16582-007-10

Sheet No.:12

Fuel Camshaft Assembly

Ref. No.	Part No.	Qty.	Description
1	100-2031	1	Fuel Camshaft ASM
2	100-1965	1	Camshaft
3	100-1795	1	Bearing-Ball
4	100-2006	1	Gear-Pump, Injection
5	100-1752	1	Key,Feather
6	100-1903	1	Sleeve-Governor
7	100-1904	1	Case-Ball, Governor
8	100-1790	32	Ball
9	100-1843	1	Cir-Clip, Gov. Sleeve
10	100-1793	8	Ball
11	100-1794	1	Bearing-Ball
12	100-1784	1	Cir-Clip, External
13	100-1888	1	Stopper-Fuel, C/Shaft
14	98-9350	2	Bolt

Ref. No.	Part No.	Qty.	Description

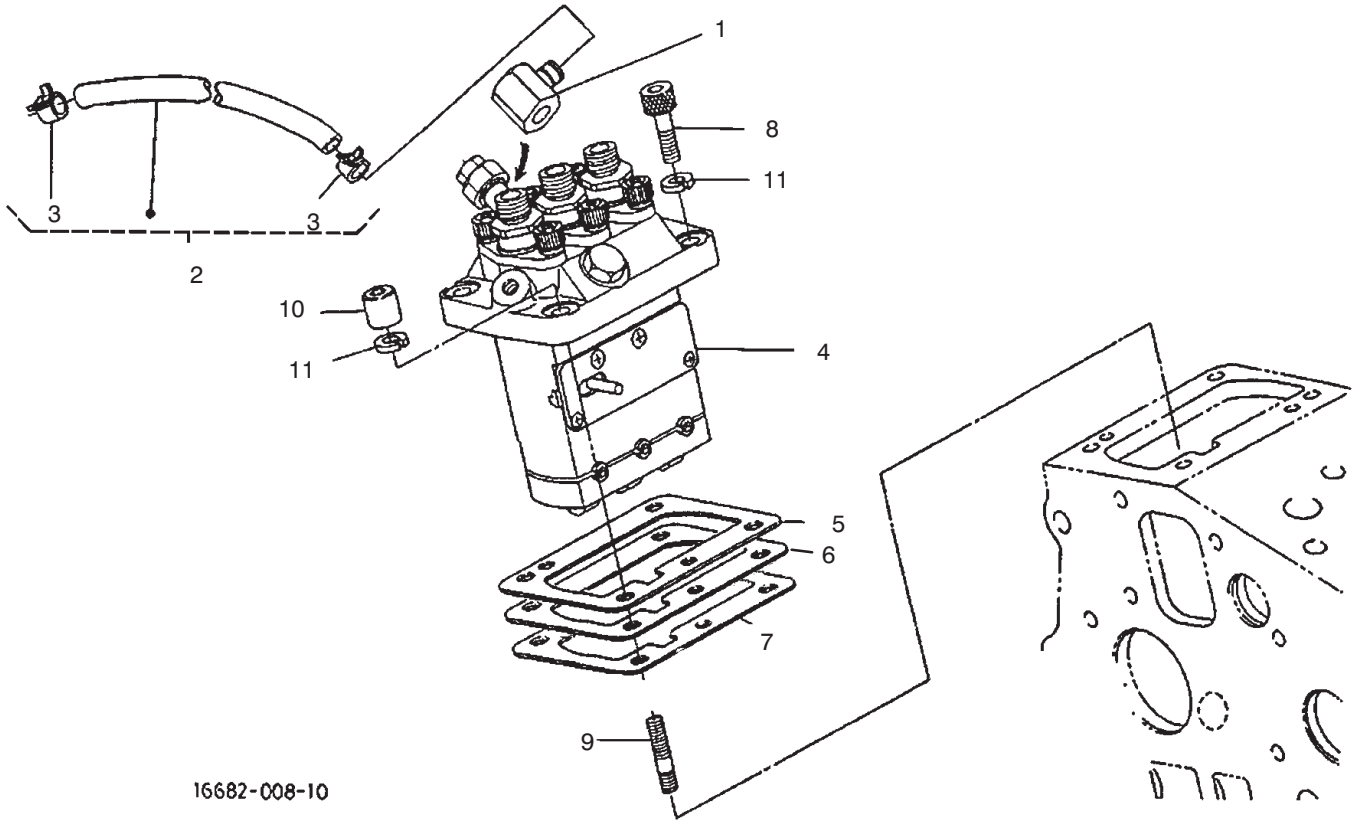


Sheet No.:13

Engine Stop Lever Assembly

Ref. No.	Part No.	Qty.	Description
1	100-1898	1	Idle Apparatus ASM
2	100-1899	1	Adj. Bolt ASM
3	100-1846	1	Nut
4	100-1901	1	Nut-Cap
5	98-7428	2	Gasket
6	100-1902	1	Cap
7	100-1900	1	Bolt-Adjusting
8	100-2175	1	Nut-Lock
9	98-7654	2	Gasket
10	98-9441	1	Nut-Cap

Ref. No.	Part No.	Qty.	Description

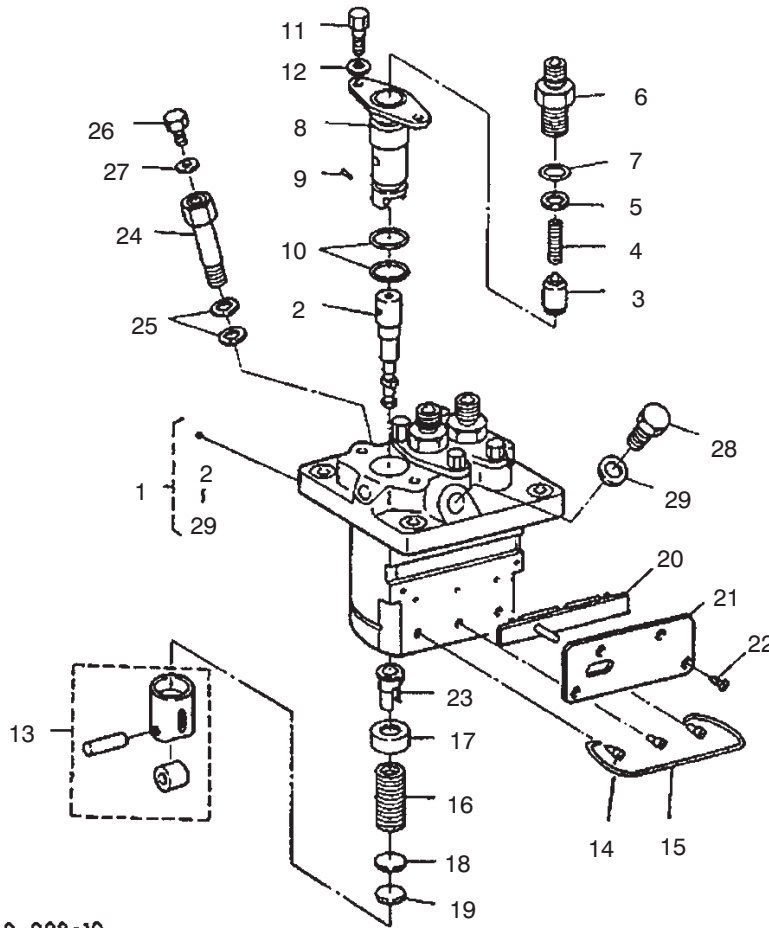


16682-008-10

Sheet No.:14

Injection Pump Assembly

Ref. No.	Part No.	Qty.	Description	Ref. No.	Part No.	Qty.	Description
1	100-1928	1	Joint-Eye				
2	100-1842	1	Fuel Pipe ASM				
3	100-2217	2	Clip-Pipe				
4	100-1759	1	Inj. Pump ASM				
5	98-9456	1	Shim				
6	98-9457	1	Shim-Injection (0.25mm)				
7	98-9458	1	Shim-Injection (0.30mm)				
8	98-9361	2	Bolt-HSH				
9	98-9438	2	Stud				
10	98-9440	2	Nut,-Cap				
11	98-9367	4	Washer-Spring				

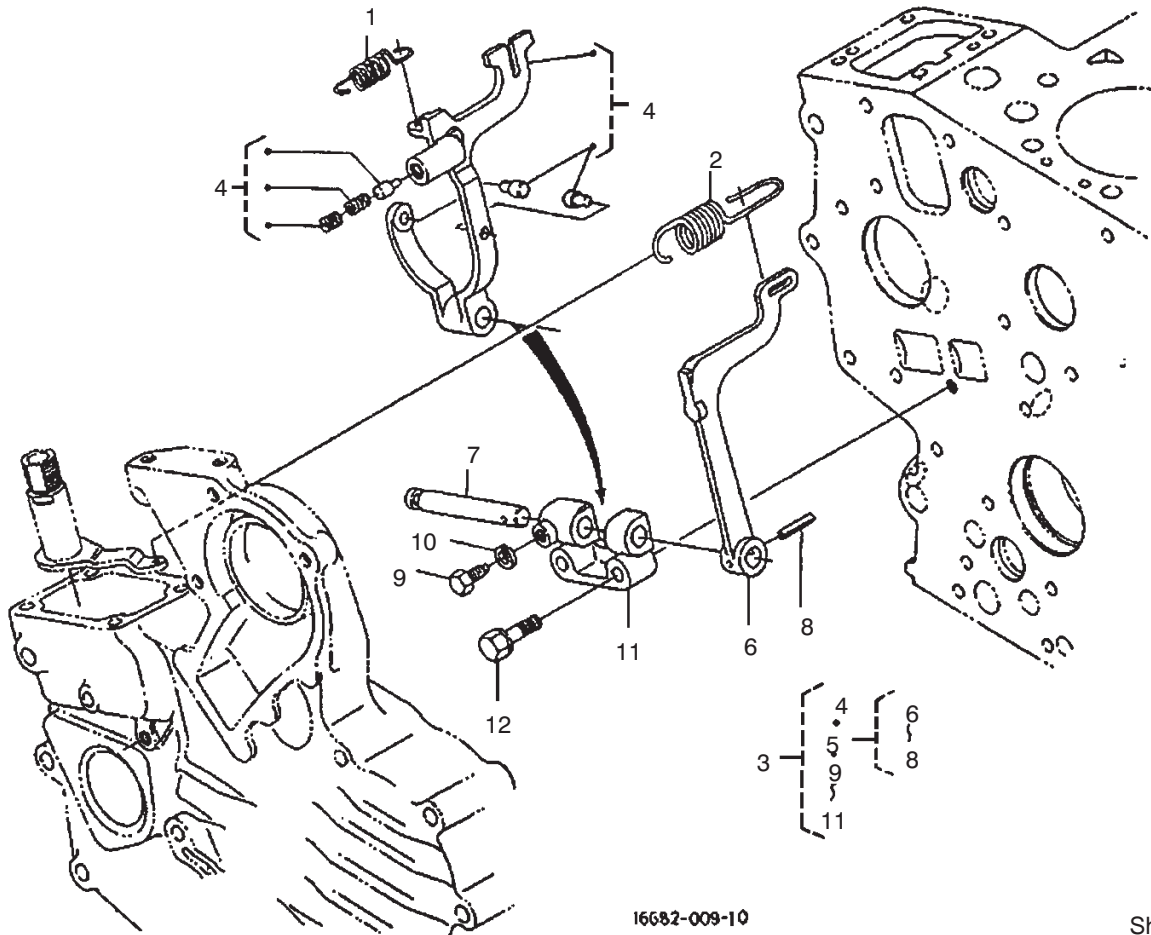


16689-009-10

Sheet No.:15

Injection Pump (Complete Parts)

Ref. No.	Part No.	Qty.	Description	Ref. No.	Part No.	Qty.	Description
1	100-1759	1	Inj. Pump ASM	27	98-9446	1	Gasket
2	100-2005	3	Plunger-Pump	28	100-1953	1	Bolt
3	98-9421	3	Valve-Delivery	29	98-9451	1	Gasket
4	98-9424	3	Spring-Valve, Delev.				
5	98-9425	3	Gasket-Valve, Deliv.				
6	100-2007	3	Holder-Valve, Deliv.				
7	98-9447	3	O-Ring				
8	98-9434	3	Flange-Sleeve				
9	98-9443	3	Pin-Joint				
10	100-1895	6	O-Ring				
11	98-9452	6	Screw				
12	100-1931	6	Washer				
13	98-9422	3	Tappet ASM				
14	98-9426	3	Pin-Guide, Tappet				
15	98-9450	1	Pin-Clamp				
16	98-9428	3	Spring-Plunger				
17	98-9427	3	Seat-Spring, Upper				
18	98-9429	3	Seat-Spring, Lower				
19	98-9433	1	Shim				
20	100-1949	1	Rack-Control				
21	100-1950	1	Plate				
22	98-9442	4	Screw-Head, CSK				
23	98-9432	3	Sleeve-Control				
24	100-1896	1	Screw-Hollow				
25	98-9445	2	Gasket				
26	98-9430	1	Screw				



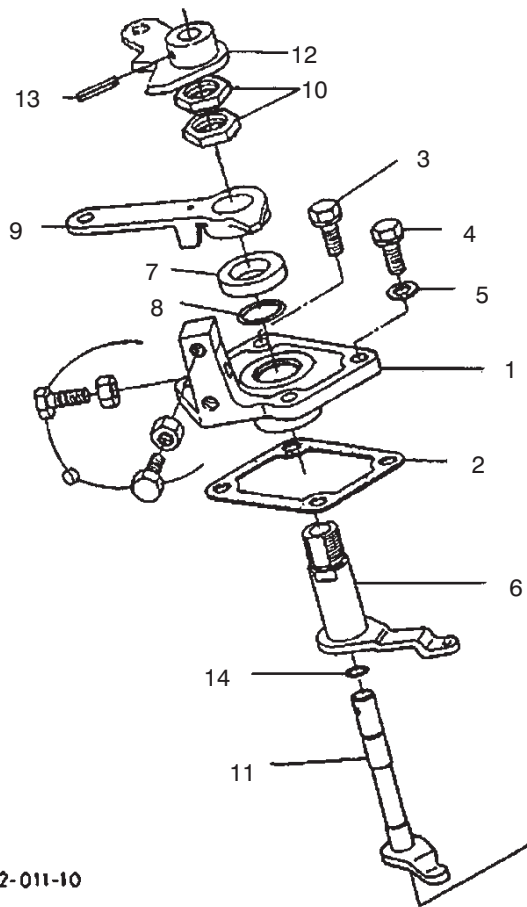
16682-009-10

Sheet No.:16

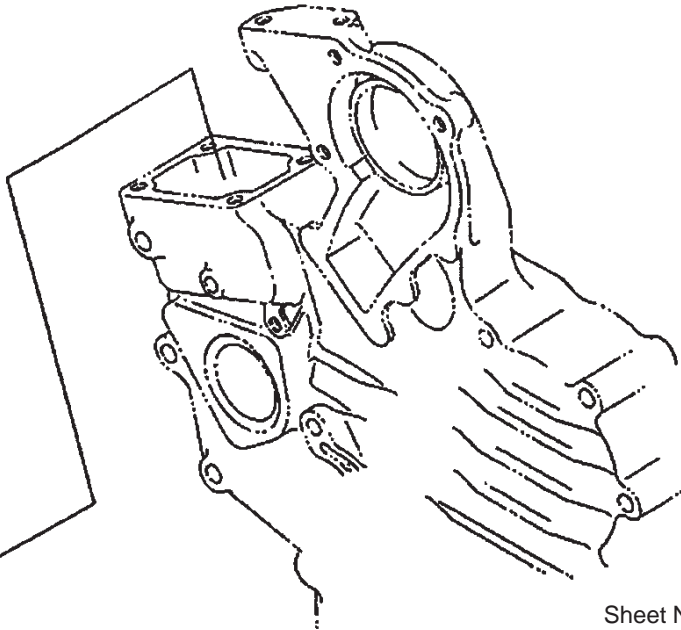
Governor Assembly

Ref. No.	Part No.	Qty.	Description
1	100-1911	1	Spring-Start
2	100-2059	1	Spring, Governor
3	100-1981	1	Assy Lever, Fork
4	100-2241	1	Lever-Fork, Comp.
5	100-1905	1	Fork Lever ASM
6	100-1907	1	Lever, Fork
7	100-1908	1	Shaft, Fork Lever
8	100-1751	1	Pin, Spring
9	100-1845	1	Bolt
10	100-2204	1	Washer-Spring
11	100-1909	1	Holder, Fork Lever
12	100-1763	2	Bolt

Ref. No.	Part No.	Qty.	Description



16682-011-10

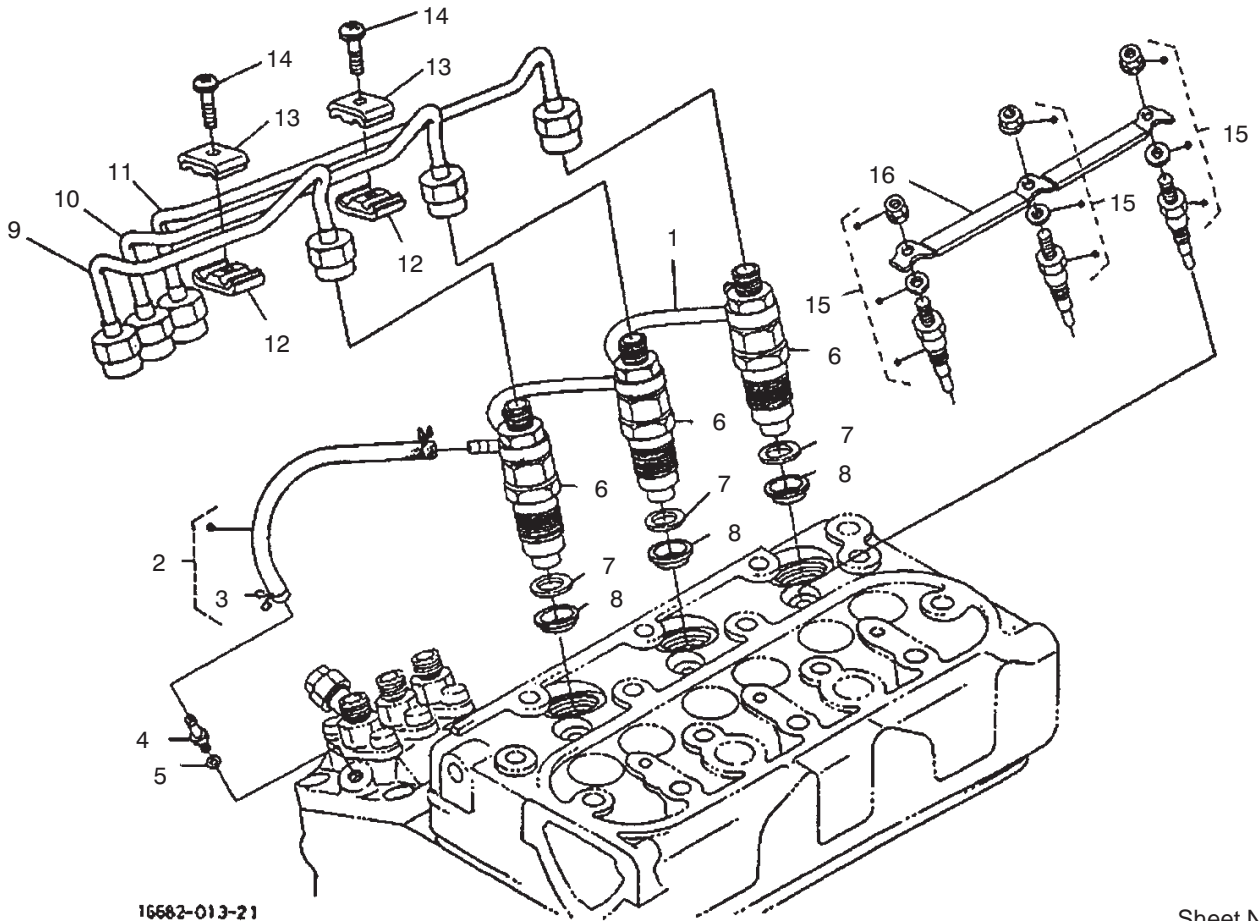


Sheet No.:17

Speed Control Plate Assembly

Ref. No.	Part No.	Qty.	Description
1	100-1912	1	Plate-Cont., Speed
2	100-1914	1	Gasket
3	98-7605	2	Bolt
4	100-1769	2	Bolt
5	98-7654	2	Gasket
6	100-2172	1	Lever-Governor
7	100-1915	1	Collar
8	100-2208	1	O-Ring
9	100-1986	1	Lever-Cont., Speed
10	100-1925	2	Nut
11	100-2050	1	Shaft-Lever
12	100-2173	1	Lever-Stop, Engine
13	100-1751	1	Pin-Spring
14	100-2207	1	O-Ring

Ref. No.	Part No.	Qty.	Description



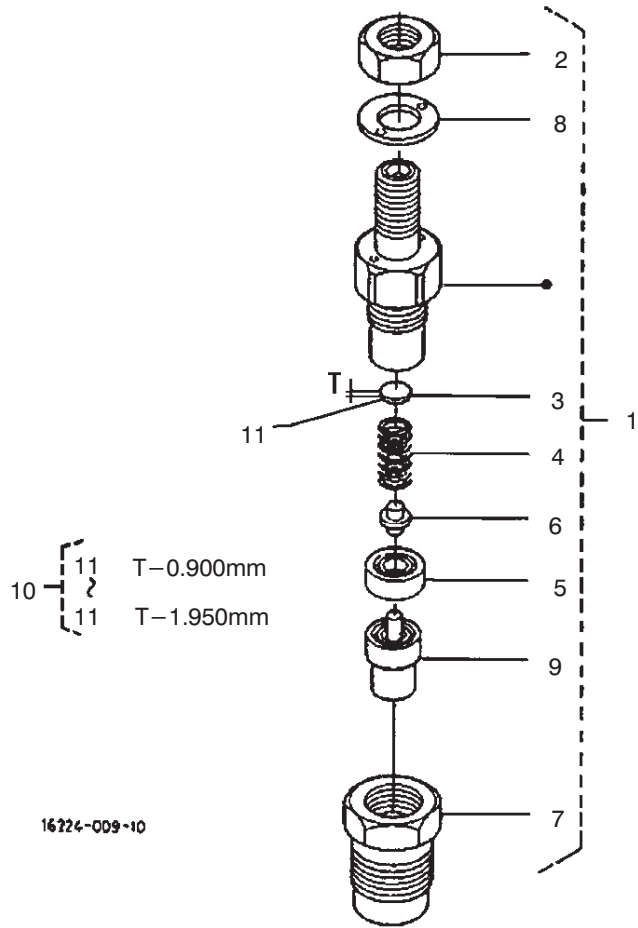
16662-013-21

Sheet No.:18

Nozzle Holder and Glow Plugs Assembly

Ref. No.	Part No.	Qty.	Description
1	100-1960	1	Over Flow Pipe ASM
2	98-9420	1	Over Flow Pipe ASM
3	98-7671	2	Clip-Pipe
4	98-9431	1	Screw-Bleeder, Air
5	98-7654	1	Gasket
6	100-1758	3	Nozzle Holder ASM
7	98-7676	3	Gasket
8	98-7677	3	Seal
9	100-2011	1	Pipe-Injection
10	100-2013	1	Pipe-Injection
11	100-2036	1	Pipe-Injection
12	98-7682	2	Clamp-Pipe
13	98-7683	2	Clamp-Pipe
14	98-7684	2	Screw,w/Washer
15	100-1854	3	Plug-Glow
16	100-2037	1	Cord-Plug, Glow

Ref. No.	Part No.	Qty.	Description

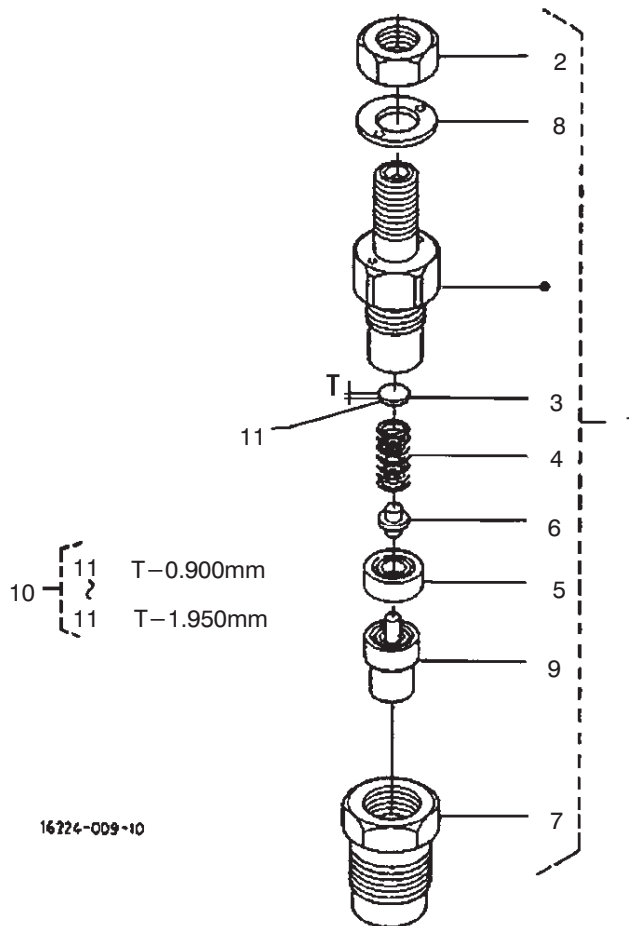


Sheet No.:19

Nozzle Holder (Complete Parts)

Ref. No.	Part No.	Qty.	Description
1	100-1758	3	Nozzle Holder ASM
2	98-7613	3	Nut
3	98-7642	3	Washer-Adjusting
4	98-7647	3	Spring-Nozzle
5	98-7665	3	Piece-Distant
6	98-7666	3	Rod-Push
7	100-2242	3	Nut-Nozzle
8	98-7668	3	Washer
9	100-2009	3	Piece-Nozzle
10	98-9448	1	Adj Washer ASM
11	98-7642	1	Washer - Adj. (.900)
11	98-7841	1	Washer - Adj. (.925)
11	98-7842	1	Washer - Adj. (.950)
11	98-7843	1	Washer - Adj. (.975)
11	98-7844	1	Washer - Adj. (1.000)
11	98-7845	1	Washer - Adj. (1.025)
11	98-7846	1	Washer - Adj. (1.050)
11	98-7847	1	Washer - Adj. (1.075)
11	98-7848	1	Washer - Adj. (1.100)
11	98-7849	1	Washer - Adj. (1.125)
11	98-7850	1	Washer - Adj. (1.150)
11	98-7851	1	Washer - Adj. (1.175)
11	98-7852	1	Washer - Adj. (1.200)
11	98-7853	1	Washer - Adj. (1.225)
11	98-7854	1	Washer - Adj. (1.250)
11	98-7855	1	Washer - Adj. (1.275)

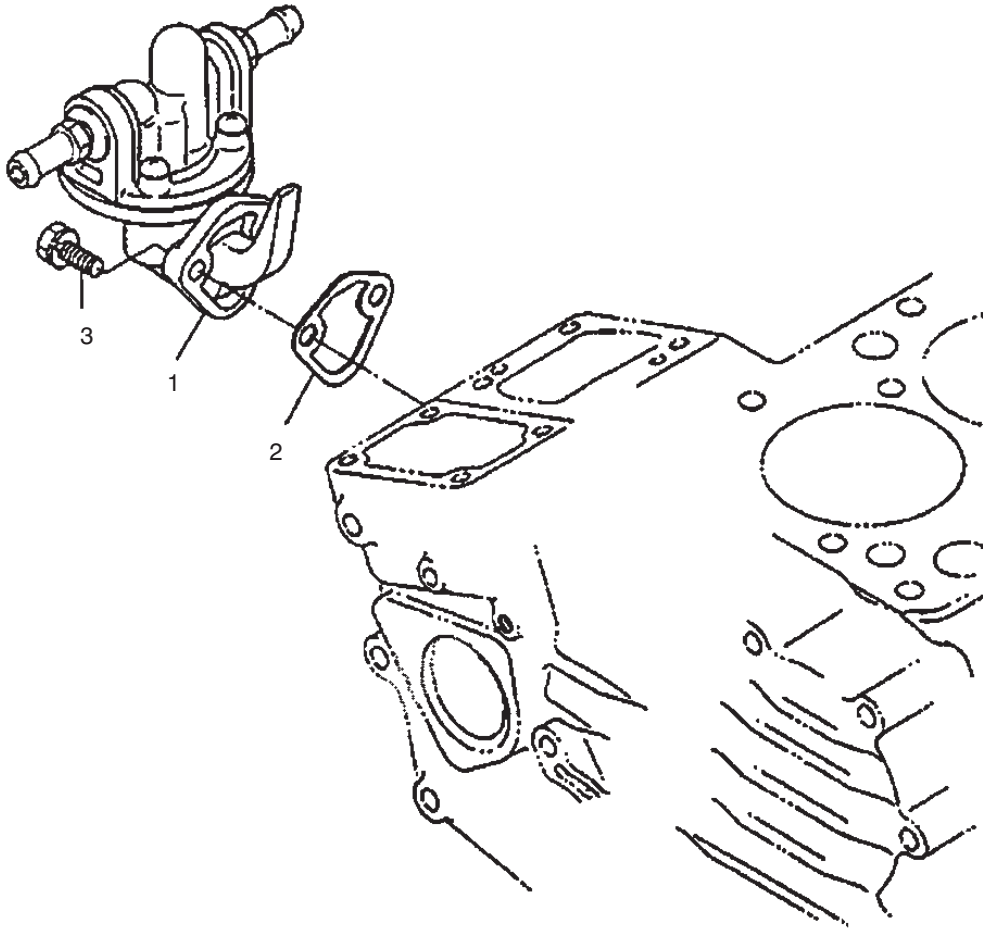
Ref. No.	Part No.	Qty.	Description
11	98-7856	1	Washer - Adj. (1.300)
11	98-7857	1	Washer - Adj. (1.325)
11	98-7858	1	Washer - Adj. (1.350)
11	98-7859	1	Washer - Adj. (1.375)
11	98-7860	1	Washer - Adj. (1.400)
11	98-7861	1	Washer - Adj. (1.425)
11	98-7862	1	Washer - Adj. (1.450)
11	98-7863	1	Washer - Adj. (1.475)
11	98-7864	1	Washer - Adj. (1.500)
11	98-7865	1	Washer - Adj. (1.525)
11	98-7866	1	Washer - Adj. (1.550)
11	98-7867	1	Washer - Adj. (1.575)
11	98-7868	1	Washer - Adj. (1.600)
11	98-7869	1	Washer - Adj. (1.625)
11	98-7870	1	Washer - Adj. (1.650)
11	98-7871	1	Washer - Adj. (1.675)
11	98-7872	1	Washer - Adj. (1.700)
11	98-7873	1	Washer - Adj. (1.725)
11	98-7874	1	Washer - Adj. (1.750)
11	98-7875	1	Washer - Adj. (1.775)
11	98-7876	1	Washer - Adj. (1.800)



Sheet No.:19

Nozzle Holder (Complete Parts Continued)

Ref. No.	Part No.	Qty.	Description	Ref. No.	Part No.	Qty.	Description
11	98-7877	1	Washer - Adj. (1.825)				
11	98-7878	1	Washer - Adj. (1.850)				
11	98-7879	1	Washer - Adj. (1.875)				
11	98-7880	1	Washer - Adj. (1.900)				
11	98-7881	1	Washer - Adj. (1.925)				
11	98-7882	1	Washer - Adj. (1.950)				

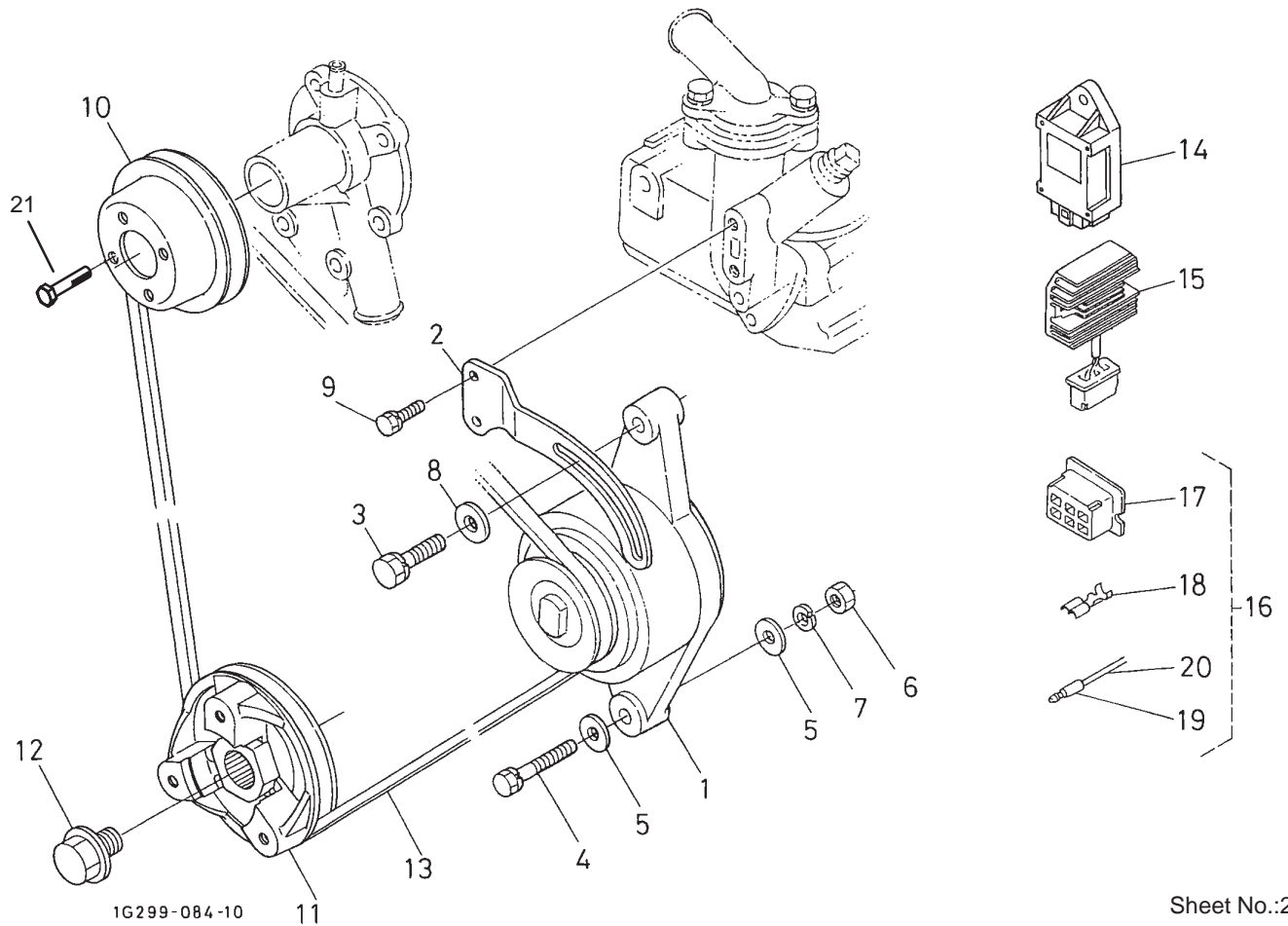


Sheet No.:20

Fuel Pump (Mechanical)

Ref. No.	Part No.	Qty.	Description
1	100-2232	1	Fuel Pump ASM
2	98-9636	1	Gasket-Pump, Fuel
3	98-7692	2	Bolt

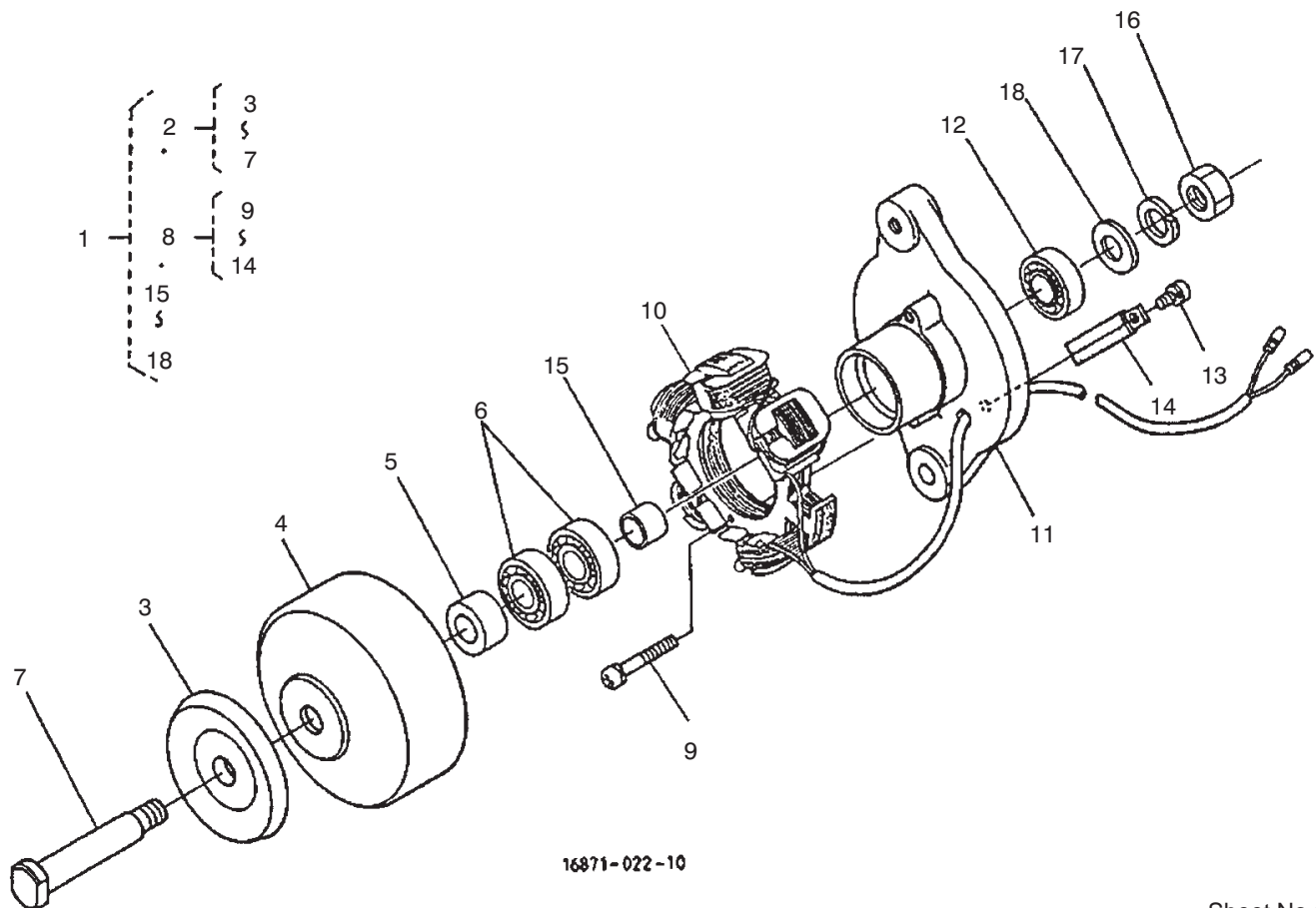
Ref. No.	Part No.	Qty.	Description



Sheet No.:21

Dynamo and Pulley Assembly

Ref. No.	Part No.	Qty.	Description	Ref. No.	Part No.	Qty.	Description
1	100-2168	1	Dynamo ASM				
2	100-2214	1	Stay-Dynamo				
3	98-7697	1	Bolt				
4	100-1771	1	Bolt				
5	98-7660	2	Washer-Plain				
6	98-7739	1	Nut				
7	98-7535	1	Washer-Spring				
8	100-1782	1	Washer-Plain				
9	98-7692	2	Bolt				
10	100-1921	1	Pulley-Fan				
11	100-2039	1	Pulley-Drive, Fan				
12	100-1978	1	Bolt				
13	100-1979	1	V-Belt				
14	98-7611	1	Controller-Glow, F/W				
15	100-2057	1	Regulator ASM				
16	100-2058	1	Coupler ASM				
17	100-2056	1	Connector				
18	98-9699	6	Terminal				
19	98-9701	2	Terminal				
20	98-9702	2	Sleeve				
21	100-1773	4	Bolt-Flange				



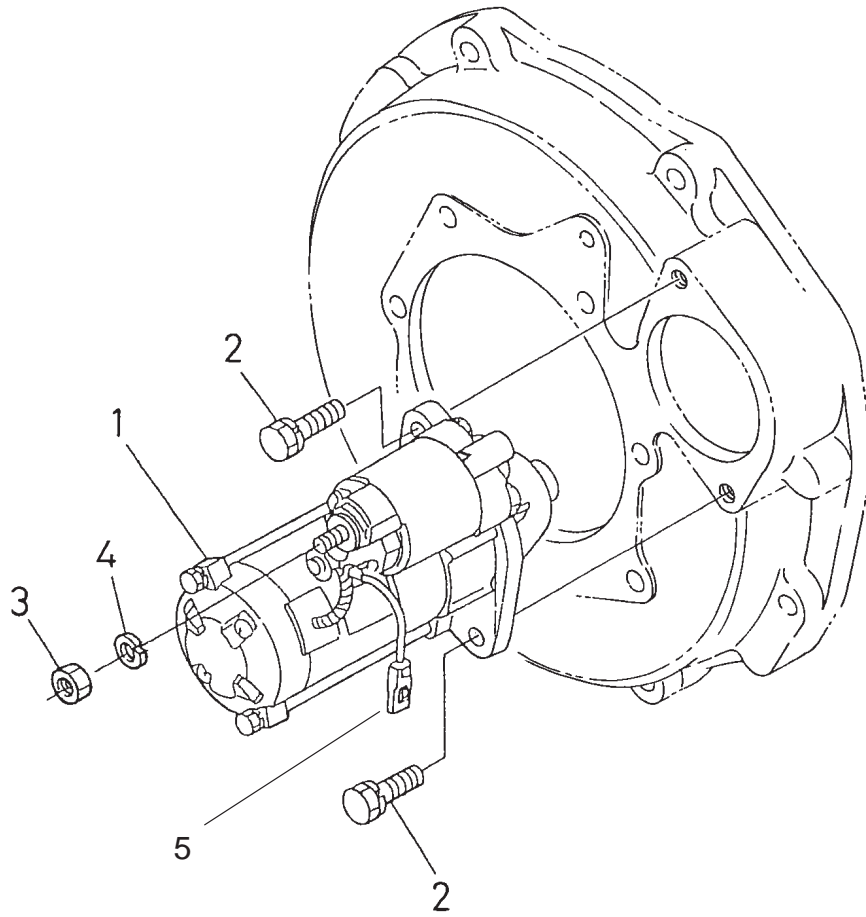
16871-022-10

Sheet No.:22

Dynamo (Complete Parts)

Ref. No.	Part No.	Qty.	Description
1	100-2168	1	Dynamo ASM
2	100-1862	1	Rotor-Comp.
3	100-2228	1	Pulley
4	100-1860	1	Rotor
5	100-2184	1	Collar
6	100-1756	2	Bearing-Ball
7	100-1867	1	Shaft-Fan
8	100-1866	1	Stator-Comp.
9	100-1848	2	Screw-Head, Round
10	100-1865	1	Stator
11	100-1861	1	Plate
12	100-1756	1	Bearing-Ball
13	100-1868	1	Screw-Head, Round
14	100-1864	1	Clamp-Cord
15	100-1844	1	Collar
16	100-1847	1	Nut
17	100-1850	1	Washer-Spring
18	100-1849	1	Washer-Plain

Ref. No.	Part No.	Qty.	Description



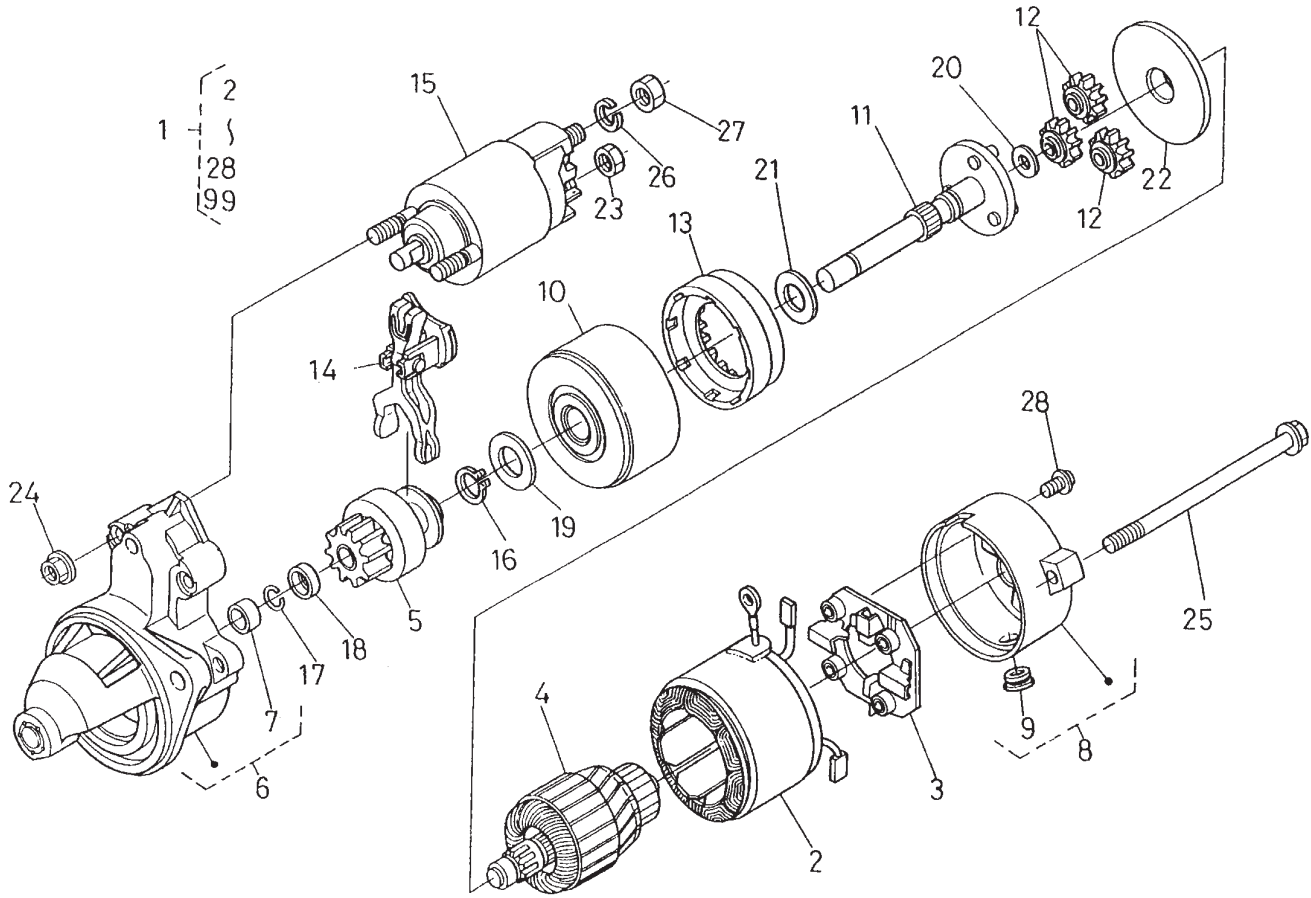
1G299-085-10

Sheet No.:23

Starter Assembly

Ref. No.	Part No.	Qty.	Description
1	100-2179	1	Starter ASM
2	100-7438	2	Bolt
3	98-7739	1	Nut
4	98-7535	1	Washer-Spring
5	99-1434	1	Wire-Lead

Ref. No.	Part No.	Qty.	Description



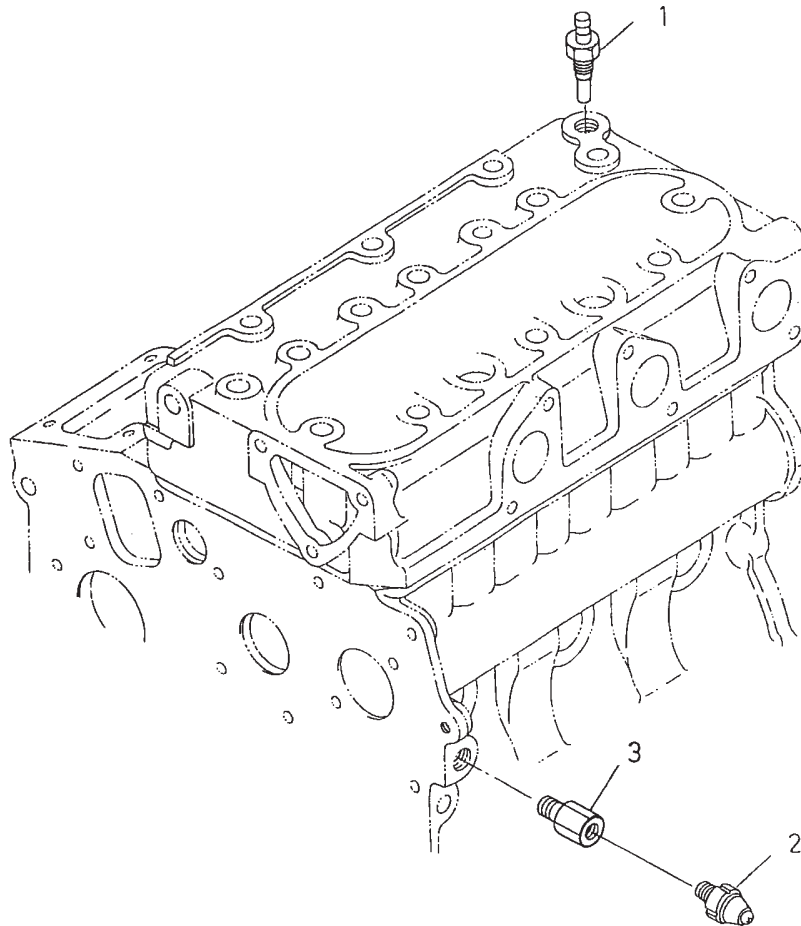
67992-001-10

Sheet No.:24

Starter (Complete Parts)

Ref. No.	Part No.	Qty.	Description
1	100-2179	1	Starter ASM
2	100-2181	1	Starter Yoke ASM
3	100-2222	1	Holder ASM
4	100-2182	1	Armature ASM
5	100-2185	1	Starter Clutch ASM
6	100-2180	1	Starter Housing ASM
7	100-2183	1	Bearing
8	100-2186	1	Frame ASM
9	100-2213	1	Cover
10	100-2223	1	Bearing ASM
11	100-2187	1	Starter Shaft ASM
12	100-2220	3	Gear
13	100-2221	1	Gear
14	100-2218	1	Lever
15	100-2211	1	Magnetic Switch ASM
16	100-2219	1	Ring-Snap
17	100-2212	1	Ring-Snap
18	100-2216	1	Collar
19	100-2224	1	Washer-Plain
20	100-2225	1	Washer-Plain
21	100-2226	1	Washer-Plain
22	100-2227	1	Plate
23	100-2243	1	Nut-Hex
24	100-1813	2	Nut
25	100-2210	2	Bolt-Through
26	100-2215	1	Washer-Spring

Ref. No.	Part No.	Qty.	Description
27	100-2171	1	Nut-Hex
28	100-2188	2	Screw
99	99-1434	1	Wire-Lead



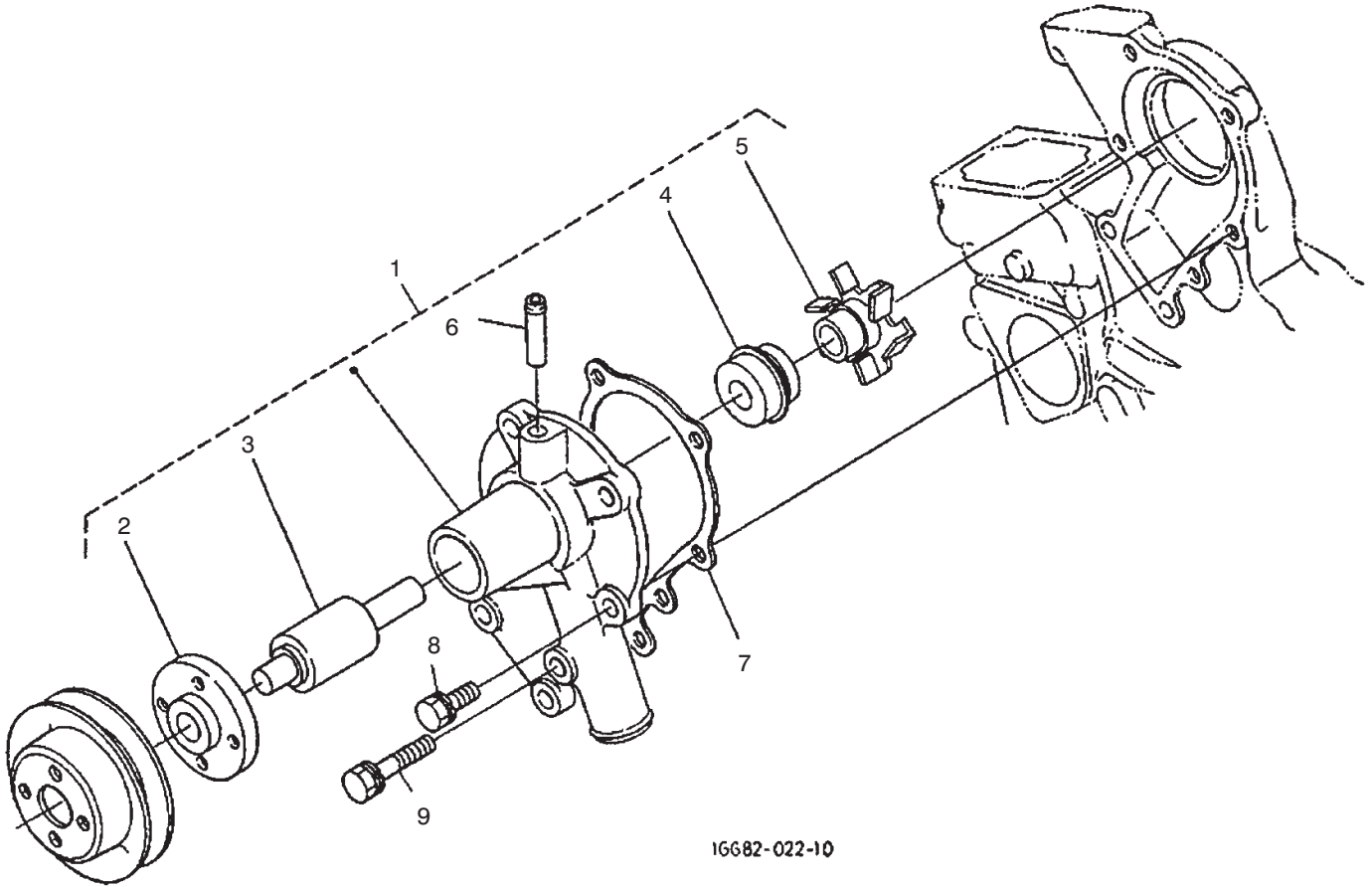
1G299-086-10

Sheet No.:25

Oil Switch and Thermostatic Switch Assembly

Ref. No.	Part No.	Qty.	Description
1	99-3582	1	Thermo-Switch
2	98-7764	1	Switch-Oil
3	100-2170	1	Holder-Signal, Oil

Ref. No.	Part No.	Qty.	Description



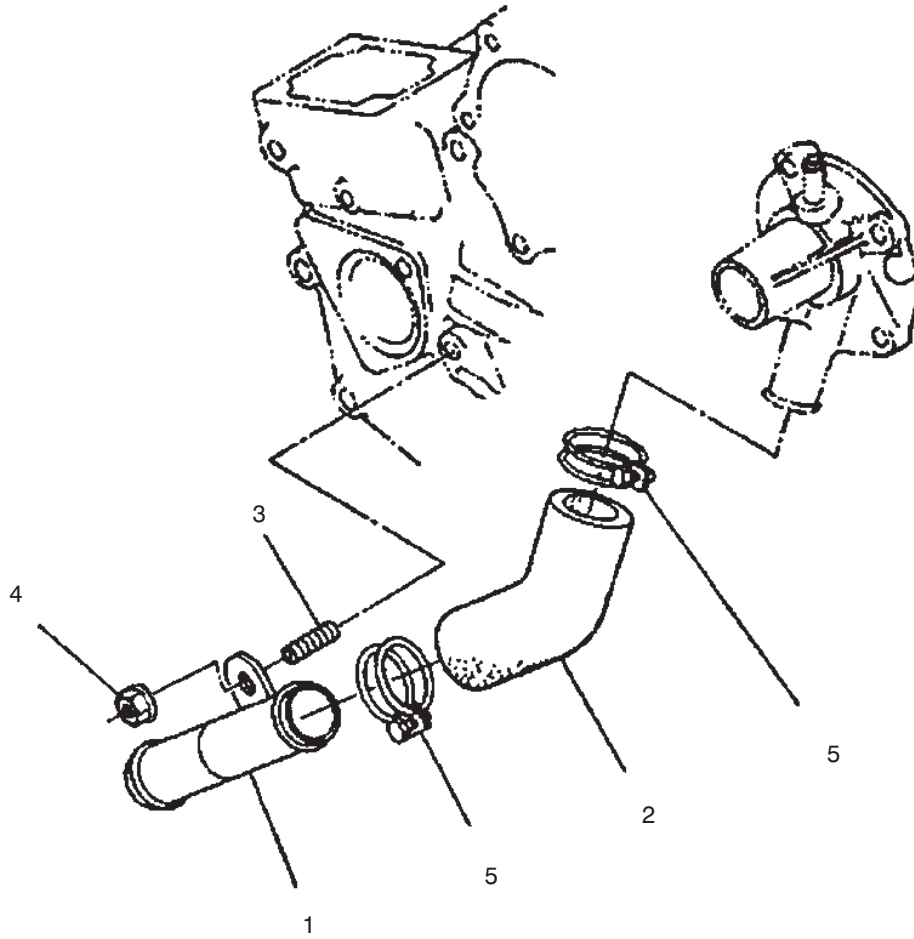
1G682-022-10

Sheet No.:27

Water Pump Assembly

Ref. No.	Part No.	Qty.	Description
1	100-2065	1	Water Pump ASM
2	100-1933	1	Flange, Water Pump
3	100-1934	1	Bearing, Ball
4	99-3518	1	Seal ASM, Water Pump
5	100-2067	1	Impeller, Water Pump
6	100-1932	1	Pipe, Water Return
7	100-1976	1	Gasket, Water Pump
8	100-1750	4	Bolt
9	100-1764	1	Bolt

Ref. No.	Part No.	Qty.	Description

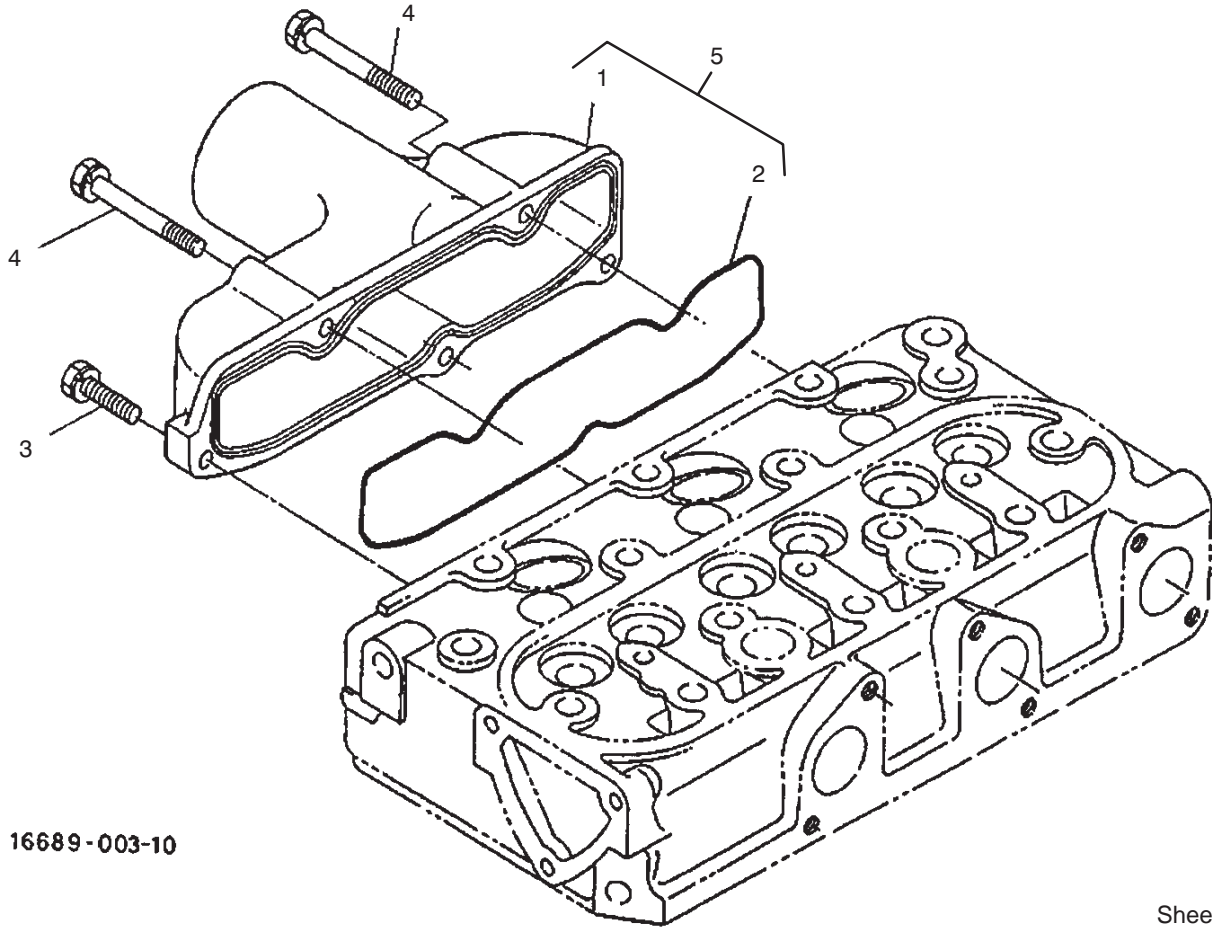


Sheet No.:28

Water Pipe Assembly

Ref. No.	Part No.	Qty.	Description
1	100-1918	1	Pipe, Water
2	100-1975	1	Pipe, Water
3	100-1924	1	Stud
4	100-2203	1	Nut-Flange
5	100-1753	2	Clamp, Hose

Ref. No.	Part No.	Qty.	Description



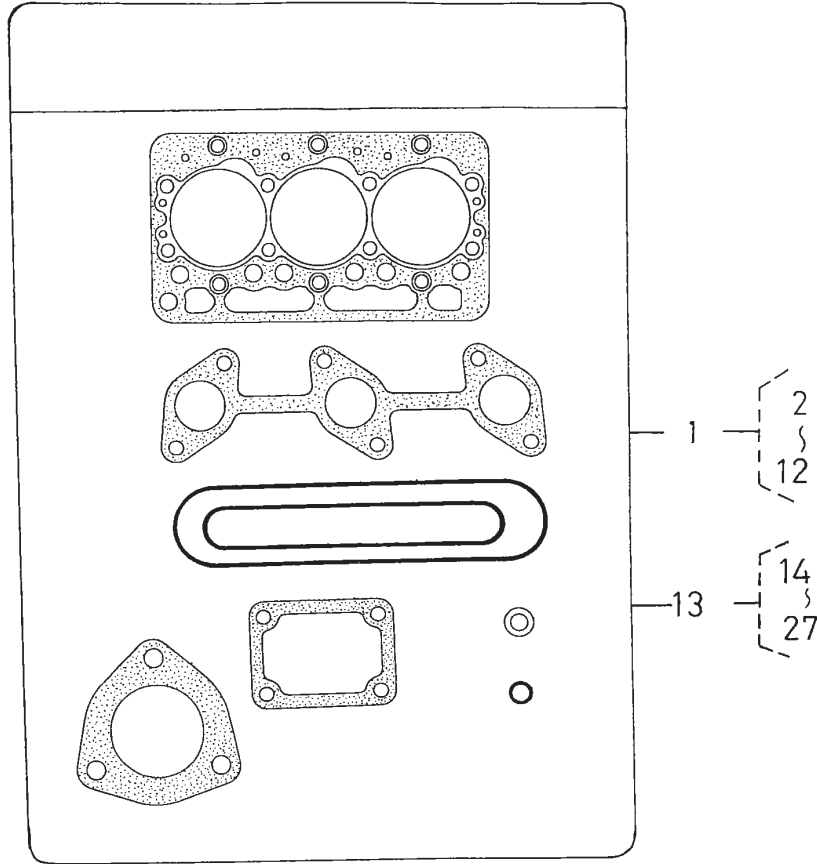
16689-003-10

Sheet No.:30

Inlet Manifold Assembly

Ref. No.	Part No.	Qty.	Description
1	100-2235	1	Manifold, Inlet
2	100-1937	1	Gasket, In-Manifold
3	98-7605	2	Bolt
4	100-1765	3	Bolt
5	100-2236	1	Inlet Manifold ASM

Ref. No.	Part No.	Qty.	Description



194 49-018-10

Sheet No.:32

Gasket Kit

Ref. No.	Part No.	Qty.	Description
1	100-2176	1	Kit-Gasket, Upper
2	98-7509	1	O-Ring
3	100-2043	1	Gasket-Head, Cylinder
4	100-1937	1	Gasket-In-Manifold
5	100-1957	1	Gasket
6	100-1797	6	Seal-Stem, Valve
7	100-2030	1	Gasket-Cover, Head
8	98-7654	3	Gasket
9	99-3446	1	O-Ring
10	100-1919	1	Gasket-Flange, Water
11	100-2157	1	Gasket-Thermostat
12	100-2238	1	Gasket-Muffler
13	100-2174	1	Kit-Gasket, Lower
14	100-1976	1	Gasket-Pump, Water
15	100-1954	1	Gasket-Case, Gear
16	100-2206	3	O-Ring
17	100-1929	1	Gasket-Case, Bearing
18	100-1876	1	Gasket-Case, Bearing
19	100-2209	1	O-Ring
20	100-2205	1	O-Ring
21	100-2003	1	Gasket-Pump, Oil
22	98-9636	1	Gasket-Pump, Fuel
23	100-2061	1	Gasket-Gearcase, H/M
24	100-1914	1	Gasket
25	98-7428	2	Gasket

Ref. No.	Part No.	Qty.	Description
26	100-2208	1	O-Ring
27	100-2207	1	O-Ring

Maintenance Record

Date								

Maintenance Record

Date								

