

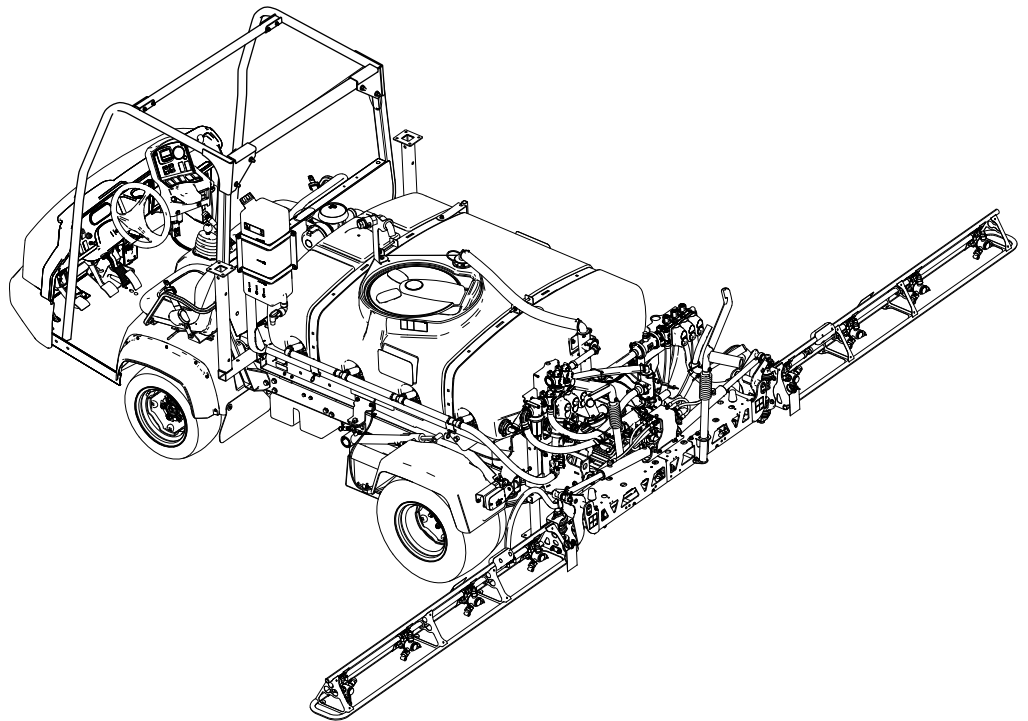


Count on it.

Operator's Manual

Multi Pro[®] WM Turf Sprayer

Model No. 41240—Serial No. 40000000 and Up



Note: The installation of the Multi Pro WM requires the installation of one or more interdependent kits. Contact your Authorized Toro Distributor for more information.



⚠ WARNING

**CALIFORNIA
Proposition 65 Warning**

Use of this product may cause exposure to chemicals known to the State of California to cause cancer, birth defects, or other reproductive harm.

serious injury or death if you do not follow the recommended precautions.



Figure 2

g000502

1. Safety-alert symbol

This manual uses 2 words to highlight information. **Important** calls attention to special mechanical information and **Note** emphasizes general information worthy of special attention.

Introduction

Read this manual carefully to learn how to operate and maintain your product properly. The information in this manual can help you and others avoid injury and product damage. Although Toro designs and produces safe products, you are responsible for operating the product properly and safely. You may contact Toro directly at www.Exmark.com for product safety and operational training materials, accessory information, help finding a dealer, or to register your product.

Whenever you need service, genuine Toro parts, or additional information, contact an Authorized Service Dealer or Toro Customer Service and have the model and serial numbers of your product ready. [Figure 1](#) illustrates the location of the model and serial numbers on the product.

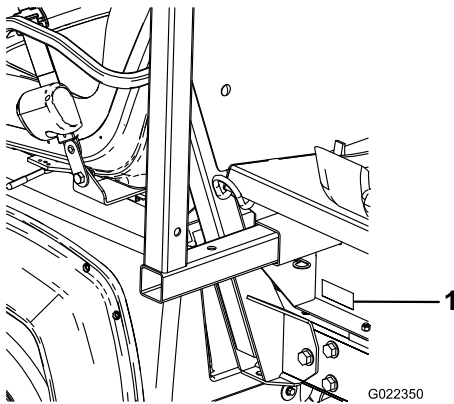


Figure 1

g022350

1. Location of the model and serial numbers

| |
|------------------|
| Model No. _____ |
| Serial No. _____ |

This manual identifies potential hazards and has safety messages identified by the safety-alert symbol ([Figure 2](#)), which signals a hazard that may cause

Contents

| | | | |
|--|----|---|----|
| Safety | 4 | Cleaning the Sprayer | 59 |
| General Safety | 4 | Calibrating the Sprayer | 60 |
| Safe Operating Practices | 4 | Spray Filter Recommendations | 64 |
| Training | 4 | Maintenance | 67 |
| Before Operating | 5 | Recommended Maintenance Schedule(s) | 67 |
| Chemical Safety | 6 | Daily Maintenance Checklist | 68 |
| While Operating | 6 | Notation for Areas of Concern | 68 |
| Maintenance | 8 | Pre-Maintenance Procedures | 69 |
| Safety and Instructional Decals | 9 | Accessing the Machine | 69 |
| Setup | 14 | Lubrication | 70 |
| 1 Removing the Existing Bed | 16 | Greasing the Sprayer System | 70 |
| 2 Preparing to Install the Tank Skid | 17 | Greasing the Sprayer Pump | 70 |
| 3 Installing the Hold-Down Brackets for the | | Greasing the Boom Hinges | 71 |
| Tank Skid | 18 | Spray System Maintenance | 71 |
| 4 Installing the Tank Skid | 18 | Inspecting the Hoses | 72 |
| 5 Assembling the Drain Valve | 20 | Changing the Suction Filter | 72 |
| 6 Disconnecting the Battery | 21 | Changing the Pressure Filter | 72 |
| 7 Connecting the Speed Sensor | | Changing the Nozzle Filter | 73 |
| Harness | 22 | Inspecting the Sprayer Pump | 73 |
| 8 Coupling the Sprayer Pump | 23 | Adjusting the Booms to Level | 74 |
| 9 Installing the Control Console to the | | Inspecting the Nylon Pivot Bushings | 75 |
| Machine | 23 | Cleaning | 75 |
| 10 Installing the Electrical Harnesses for the | | Cleaning the Flow meter | 75 |
| Sprayer | 24 | Cleaning the Sprayer Valves | 76 |
| 11 Installing the Sprayer Fuse Block | 25 | Storage | 86 |
| 12 Connecting the Sprayer Harness to the | | Removing the Sprayer and Tank Skid | 87 |
| Battery | 27 | Troubleshooting | 90 |
| 13 Lowering the Tank Skid | 30 | Schematics | 91 |
| 14 Installing the Center Boom Section | 31 | | |
| 15 Installing the Left and Right Boom | | | |
| Section | 32 | | |
| 16 Installing the Boom Hoses | 34 | | |
| 17 Installing the Nozzles | 36 | | |
| 18 Installing the Freshwater Tank | 36 | | |
| 19 Installing the Anti-Siphon Fill | | | |
| Receptacle | 38 | | |
| 20 Checking the Boom Hinge Springs | 39 | | |
| 21 Storing the Jack Stands (Optional) | 39 | | |
| 22 Learning More about Your Product | 40 | | |
| Product Overview | 41 | | |
| Controls | 41 | | |
| Specifications | 44 | | |
| Operation | 44 | | |
| Think Safety First | 44 | | |
| Using the InfoCenter | 44 | | |
| Preparing to Use the Sprayer | 54 | | |
| Operating the Sprayer | 55 | | |
| Filling the Freshwater Tank | 56 | | |
| Filling the Spray Tank | 56 | | |
| Operating the Booms | 57 | | |
| Spraying | 58 | | |
| Turf Care Precautions while Operating in | | | |
| Stationary Modes | 58 | | |
| Spraying Tips | 59 | | |
| Unclogging a Nozzle | 59 | | |
| Selecting a Nozzle | 59 | | |

Safety

Important: Read and understand the information in the safety section of the *Operator's Manual* for your Workman vehicle before operating the machine.

General Safety

This product is capable of causing personal injury. Always follow all safety instructions to avoid serious personal injury.

- Read and understand the contents of this *Operator's Manual* before starting the engine.
- Use your full attention while operating the machine. Do not engage in any activity that causes distractions; otherwise, injury or property damage may occur.
- Use appropriate personal protective equipment (PPE) to guard against contact with chemicals. Chemical substances used in the sprayer system may be hazardous and toxic.
- Do not put your hands or feet near moving components of the machine.
- Do not operate the machine without all guards and other safety protective devices in place and working on the machine.
- Keep clear of any discharge area of the sprayer nozzles and spray drift. Keep bystanders and children out of the operating area.
- Never allow children to operate the machine.
- Shut off the engine, remove the key (if equipped), and wait for all movement to stop before you leave the operator's position. Allow the machine to cool before adjusting, servicing, cleaning, or storing it.

Improperly using or maintaining this machine can result in injury. To reduce the potential for injury, comply with these safety instructions and always pay attention to the safety-alert symbol ▲, which means Caution, Warning, or Danger—personal safety instruction. Failure to comply with these instructions may result in personal injury or death.

Not all the attachments that adapt to this machine are covered in this manual. Refer to the operator's manual provided with each attachment for additional safety instructions.

Safe Operating Practices

Important: The machine is designed primarily as an off-road vehicle and is not intended for extensive use on public roads.

When using the machine on public roads, follow all traffic regulations and use any additional accessories that may be required by law, such as lights, turn signals, slow-moving vehicle (SMV) sign, and others as required.

The Workman was designed and tested to offer safe service when operated and maintained properly. Although hazard control and accident prevention depend upon the design and configuration of the machine, these factors also depend on the awareness, concern, and proper training of the personnel involved in the operation, maintenance, and storage of the machine. Improperly using or maintaining the machine can result in injury or death.

The Workman is a specialized utility vehicle designed for off-road use only. The ride and handling of the machine has a different feel than that of passenger cars or trucks. Take time to become familiar with your machine.

Not all the attachments that adapt to the Workman are covered in this manual. See the *Installation Instructions* provided with attachment for additional safety instructions.

To reduce the potential for injury or death, comply with the following safety instructions:

Supervisor's Responsibilities

- Make sure that operators are thoroughly trained and familiar with the *Operator's Manual*, the *Operator's Manual* of the Workman machine, training material, engine manual, and all labels on the Workman machine.
- Establish your own special procedures and work rules for unusual operating conditions (e.g., slopes too steep for machine operation). Use the third high lockout switch if high speed could result in a safety or machine abuse situation.

Training

- Read the *Operator's Manual* and other training material before operating the machine.

Note: If the operator(s) or mechanic(s) cannot read the manual language, it is the owner's responsibility to explain this material to them.

- Become familiar with the safe operation of the equipment, operator controls, and safety signs.
- All operators and mechanics should be trained. The owner is responsible for training the users.
- Never allow untrained people to operate or service the equipment.

Note: Local regulations may restrict the age of the operator.

- The owner/user can prevent and is responsible for accidents or injuries occurring to himself or herself, other people, or damage to property.

Before Operating

- Operate the machine only after reading and understanding the contents of this manual.
- **Never** allow children to operate the machine.
- **Never** allow other adults to operate the machine without first reading and understanding the *Operator's Manual*. Only trained and authorized persons should operate this machine. Make sure that all operators are physically and mentally capable of operating the machine.
- This machine is designed to carry the operator and 1 passenger in the seat provided by the manufacturer. **Never** carry any additional passengers on the machine.
- **Never** operate the machine while you are ill, tired, or under the influence of alcohol or drugs.
- Use the seat belt when operating the machine and be certain that it can be released quickly in the event of an emergency.
- Become familiar with the controls and know how to shut off the engine quickly.
- Keep all shields, safety devices, and decals in place. If a shield, safety device, or decal is malfunctioning, illegible, or damaged, repair or replace it before operating the machine.
- Wear appropriate clothing; including safety glasses, long pants, substantial slip-resistant footwear or rubber boots, and gloves. Do not wear jewelry or loose clothing. Tie back long hair.
- Keep bystanders away from the areas of operation.
- Avoid driving when it is dark, especially in unfamiliar areas. If you must drive when it is dark, be sure to drive cautiously and use the headlights.
- Before operating the machine, always check all parts of the machine and any attachments. If something is wrong, **stop using the machine**. Make sure that the problem is corrected before the machine or attachment is operated again.
- Make sure the operator and passenger area is clean and free from chemical residue and debris buildup.
- Ensure that all fluid line connectors are tight and all hoses are in good condition before applying pressure to the system.

Note: Do not use the machine if it is leaking or damaged.

- Since fuel is highly flammable, handle it carefully.
 - Use an approved fuel container.
 - Do not remove the cap from the fuel tank when the engine is hot or running. Allow the engine to cool before fueling the machine.
 - Do not smoke while handling fuel.
 - Fill the fuel tank of the machine outdoors.

- Fill the fuel tank of the machine to about 25 mm (1 inch) below the top of the tank (the bottom of the filler neck). Do not overfill the fuel tank.
- Wipe up any spilled fuel.

Chemical Safety

⚠ WARNING

Chemical substances used in the spreader-sprayer system may be hazardous and toxic to you, bystanders, animals, plants, soils or other property.

- **Carefully read and follow the chemical warning labels and material safety data sheets (MSDS) for all chemicals used and protect yourself according to the chemical manufacturer's recommendations. Ensure that as little skin as possible is exposed while using chemicals. Use appropriate personal protective equipment (PPE) to guard against personal contact with chemicals; personal protective equipment includes:**
 - safety glasses, goggles, and/or face shield
 - respirator or filter mask
 - chemical-resistant gloves
 - rubber boots or other substantial footwear
 - hearing protection
 - clean change of clothes, soap, and disposable towels, to be kept on-hand, in the event of a chemical spill.
- **Keep in mind that there may be more than 1 chemical used, and information on each chemical should be assessed.**
- **Refuse to operate or work on the sprayer if this information is not available!**
- **Before working on a sprayer system, make sure that the system has been triple rinsed and neutralized according to the recommendations of the chemical manufacturer(s) and that all the valves have been cycled 3 times.**
- **Verify there is an adequate supply of clean water and soap nearby, and immediately wash off any chemicals that contact you.**
- Obtain proper training before using or handling chemicals.

- Use the correct chemical for the job.
- Follow the chemical manufacturer's instructions for the safe application of the chemical. Do not exceed recommended system application pressure.
- Do not fill, calibrate, or clean the unit when people, especially children, or pets are in the area.
- Handle chemicals in a well-ventilated area.
- Have clean water available especially when filling the spray tank.
- Do not eat, drink, or smoke while working with chemicals.
- Do not clean spray nozzles by blowing through them or placing in mouth.
- Always wash your hands and other exposed areas as soon as possible after you finish working with chemicals.
- Keep chemicals in their original packages and stored in a safe location.
- Properly dispose of unused chemicals and chemical containers as instructed by the chemical manufacturer and your local codes.
- Chemicals and fumes are dangerous; never enter the tank or place your head over or in the opening of a tank.
- Follow all local, state, and federal regulations for spreading or spraying chemicals.

While Operating

⚠ WARNING

Engine exhaust contains carbon monoxide, which is an odorless, deadly poison that can be fatal.

Do not run engine indoors or in an enclosed area.

- The operator and passenger should remain seated whenever the machine is in motion. The operator should keep both hands on steering wheel whenever possible and the passenger should use the provided hand holds. Keep arms and legs within the vehicle body at all times. Never carry passengers in the box or on attachments. Remember that your passenger may not be expecting you to brake or turn.
- Always watch out for and avoid low overhangs such as tree limbs, door jambs, and overhead walkways. Make sure that there is enough room overhead to easily clear the machine, sprayer boom sections and your head.
- When starting the engine:

- Sit on the operator’s seat and ensure that the parking brake is engaged.
- If your machine is equipped with a PTO or hand throttle lever, disengage the PTO and return hand throttle lever to the OFF position.
- Move the shift lever to neutral and depress clutch pedal.
- Keep your foot off accelerator pedal.
- Turn the key for the starter switch to START position.
- Using the machine demands attention. Failure to operate the machine safely may result in an accident, tip over of the machine, and serious injury or death. Drive carefully. To prevent tipping or loss of control:
 - Use extreme caution, reduce speed, and maintain a safe distance around sand traps, ditches, creeks, ramps, and any unfamiliar areas or other hazards.
 - Watch for holes or other hidden hazards.
 - Use caution when operating the machine on a steep slope. Normally travel straight up and down slopes. Reduce speed when making sharp turns or when turning on hillsides. Avoid turning on hillsides whenever possible.
 - Use extra caution when operating the machine on wet surfaces, at higher speeds, or with a full load. Stopping time and distance increases with a full load. Shift into a lower gear before starting up or down a hill.
 - Avoid sudden stops and starts. Do not go from reverse to forward or forward to reverse without first coming to a complete stop.
 - Slow down before turning. Do not attempt sharp turns, abrupt maneuvers, or other unsafe driving actions that may cause a loss of vehicle control.
 - Before backing up, look to the rear and ensure that no one is behind you. Back up slowly.
 - Watch out for traffic when you are near or crossing roads. Always yield the right of way to pedestrians and other vehicles. This machine is **not** designed for use on streets or highways. Always signal your turns or stop early enough so that other people know what you plan to do. Obey all traffic rules and regulations.
 - The electrical and exhaust systems of the machine can produce sparks capable of igniting explosive materials. Never operate the machine in or near an area where there is dust or fumes in the air that are explosive.
 - When draining the tank, do not let anyone stand behind the machine and do not drain liquid on anyone’s feet.
- If you are ever unsure about safe operation, **stop work** and ask your supervisor.
- Do not touch the engine or muffler while the engine is running or soon after it has shut off. These areas may be hot enough to cause burns.
- If the machine ever vibrates abnormally, stop immediately, wait for all motion to stop, and inspect the machine for damage. Repair all damage before resuming operation.
- Before getting off the seat:
 1. Stop the machine.
 2. Remove your foot from the traction pedal and engage the parking brake.
 3. Turn the key for the starter switch to the OFF position.
 4. Remove the key from the starter switch.

Important: Do not park the machine on an incline.
- Lightning can cause severe injury or death. If lightning is seen or thunder is heard in the area, do not operate the machine; seek shelter.

Braking

- Slow down before you approach an obstacle. This gives you extra time to stop or turn away. Hitting an obstacle can damage the machine and its contents. More important, it can injure you and your passenger.
- Gross vehicle weight (GVW) has a major impact on your ability to stop and/or turn. Heavy loads and attachments make a machine harder to stop or turn. The heavier the load, the longer it takes to stop.
- Turf and pavement are slick when they are wet. It can take 2 to 4 times as long to stop on wet surfaces as on dry surfaces. If you drive through standing water deep enough to get the brakes wet, they will not work well until they are dry. After driving through water, you should test the brakes to make sure that they work properly. If they do not, drive slowly while putting light pressure on the brake pedal. This dries the brakes out.

Operating on Hills and Rough Terrain

▲ WARNING

Sudden changes in terrain may cause abrupt steering wheel movement, possibly resulting in hand and arm injuries.

- **Reduce your speed when operating on rough terrain and near curbs.**
- **Grip the steering wheel loosely around the perimeter. Keep your hands clear of the steering wheel spokes.**

Operating the machine on a hill may cause tipping or rolling of the machine, or the engine may stall and you could lose headway on the hill. This could result in personal injury.

- Do not accelerate quickly or suddenly apply the brakes when backing down a hill, especially with a load.
- Never drive across a steep hill; always drive straight up or down or go around the hill.
- If the engine stalls or you begin to lose headway while climbing a hill, gradually apply the brakes and slowly back straight down the hill.
- Turning while traveling up or down hills can be dangerous. If you have to turn while on a hill, do it slowly and cautiously. Never make sharp or fast turns.
- Heavy loads affect stability. Reduce the weight of the load and your speed when operating on hills.
- Avoid stopping on hills, especially with a load. Stopping while going down a hill takes longer than stopping on level ground. If the machine must be stopped, avoid sudden speed changes, which may initiate tipping or rolling of the machine. Do not suddenly apply the brakes when rolling backward, as this may cause the machine to overturn.
- Check carefully for overhead clearances (i.e., branches, doorways, electrical wires) before driving under any objects and do not contact them.
- Do not remove the rollover protection system (ROPS).
- Reduce speed and load when operating on rough terrain, uneven ground, and near curbs, holes, and other sudden changes in terrain. Loads may shift, causing the sprayer to become unstable.

Loading

The weight of the cargo can change the Workman center of gravity and handling. To avoid loss of control and personal injury, follow these guidelines:

- Reduce the weight of the load when operating on hills and rough terrain to avoid tipping or overturning of the vehicle.
- Liquid loads can shift. This shifting happens most often while turning, going up or down hills, suddenly changing speeds, or while driving over rough surfaces. Shifting loads can cause the vehicle to tip over.
- When operating with a heavy load, reduce your speed and allow for sufficient braking distance. Do not suddenly apply the brakes. Use extra caution on slopes.
- Be aware that heavy loads increase your stopping distance and reduce your ability to turn quickly without tipping over.

Maintenance

- Only permit qualified and authorized personnel to maintain, repair, adjust, or inspect the machine.
- Before servicing or making adjustments to the machine, park the machine on a level surface, engage the parking brake, shut off the engine, and remove the key to prevent someone from accidentally starting the engine.
- Empty the tank before tilting or removing the sprayer from machine and before storage.
- Never work under the machine without using the tank support prop rod.
- Ensure that all hydraulic line connectors are tight, and that all hydraulic hoses and lines are in good condition before applying pressure to the system.
- Keep your body and hands away from pinhole leaks that can eject hydraulic fluid under high pressure. Use paper or cardboard, not your hands, to search for leaks.

▲ DANGER

Hydraulic fluid escaping under pressure can have sufficient force to penetrate skin and do serious damage.

If fluid is injected into the skin it must be surgically removed within a few hours by a doctor familiar with this form of injury or gangrene may result.

- Before disconnecting or performing any work on the hydraulic system, relieve all pressure in system by stopping the engine, cycling the dump valve from raise to lower, and/or lowering the tank

and attachments. If the tank must be in the raised position, secure it with the safety support.

- To make sure that the entire machine is in good condition, keep all nuts, bolts, and screws properly tightened.
- To reduce potential fire hazard, keep the engine area free of excessive grease, grass, leaves and accumulation of dirt.
- If the engine must be running to perform a maintenance adjustment, keep hands, feet, clothing, and any parts of the body away from the engine and any moving parts. Keep everyone away.
- Do not overspeed the engine by changing the governor settings. The maximum engine speed is

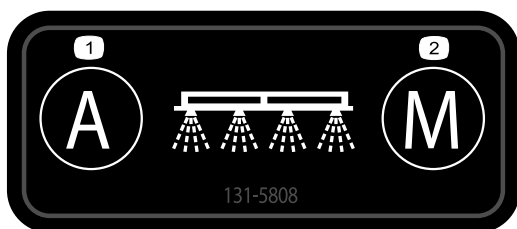
3,650 rpm. To assure safety and accuracy, have an Authorized Toro Distributor check the maximum engine speed with a tachometer.

- If major repairs are ever needed or assistance is required, contact an Authorized Toro Distributor.
- To ensure optimum performance and continued safety certification of the machine, use only genuine Toro replacement parts and accessories. Replacement parts and accessories made by other manufacturers could be dangerous, and such use could void the product warranty.
- Refer to your Workman machine *Operator's Manual* for additional maintenance information.

Safety and Instructional Decals



Safety decals and instructions are easily visible to the operator and are located near any area of potential danger. Replace any decal that is damaged or missing.



131-5808

decal131-5808

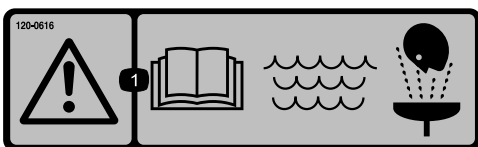
1. Automatic—closed loop-rate control
2. Manual—open loop-rate control



120-0622

decal120-0622

1. Warning—read the *Operator's Manual*.
2. Warning—do not enter the sprayer tank.
3. Chemical burn hazard; toxic gas inhalation hazard—wear hand and skin protection; wear eye and respiratory protection.



120-0616

decal120-0616

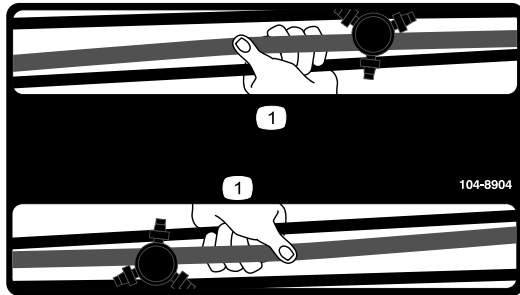
1. Warning—read the *Operator's Manual*; use fresh, clean water for first-aid washing.



119-9434

119-9434

1. Tank contents



104-8904

104-8904

decal104-8904

1. Grasp the boom here.



127-6976

127-6976

decal127-6976

1. Decrease

2. Increase

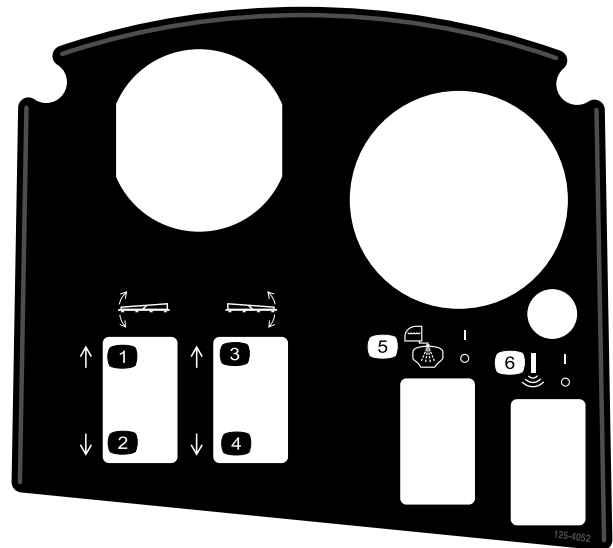


120-0617

120-0617

decal120-0617

1. Severing hazard of hand, pinching point—keep away from actuated joints.
2. Crushing hazard—keep bystanders away from the machine.

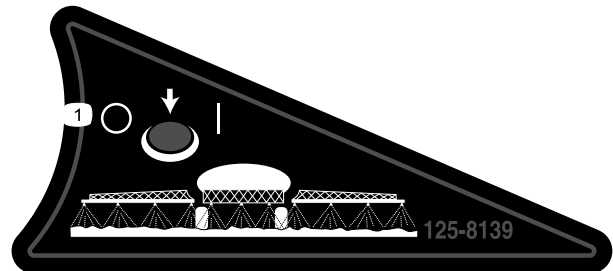


125-4052

125-4052

decal125-4052

1. Raise left boom
2. Lower left boom
3. Raise right boom
4. Lower right boom
5. Toggle tank rinse on/off
6. Toggle sonic boom on/off

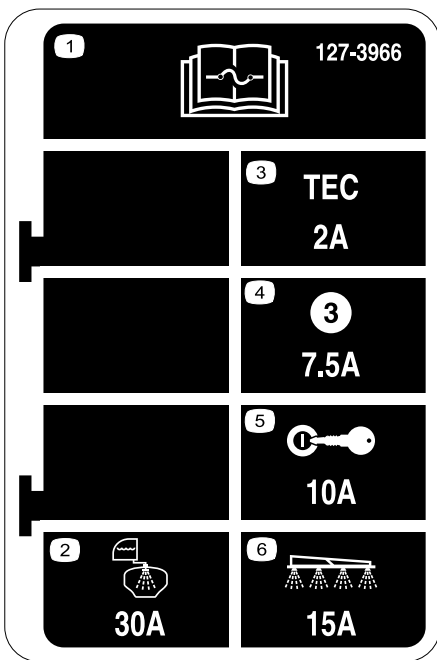


125-8139

125-8139

decal125-8139

1. Toggle boom sprayers on/off



127-3966

decal127-3966

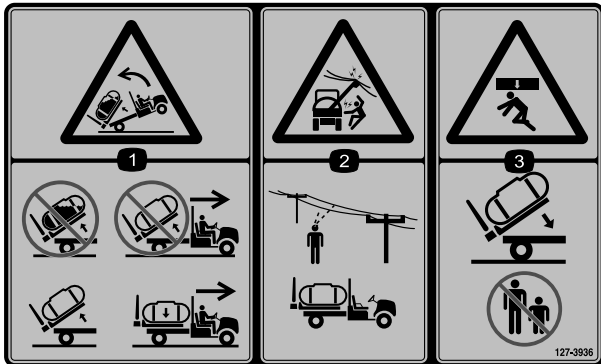
1. Read the *Operator's Manual* for information on fuses.
2. 30 A—Tank rinse
3. 2 A—TEC controller logic
4. 7.5 A—TEC controller output
5. 10 A—Ignition
6. 15 A—Sprayer boom



127-3937

decal127-3937

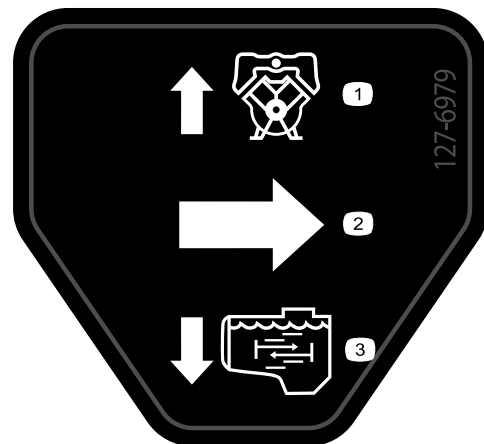
1. Warning—do not step.
2. Warning—keep away from hot surfaces.
3. Entanglement hazard, belt—keep away from moving parts; keep all guards and shields in place.



127-3936

decal127-3936

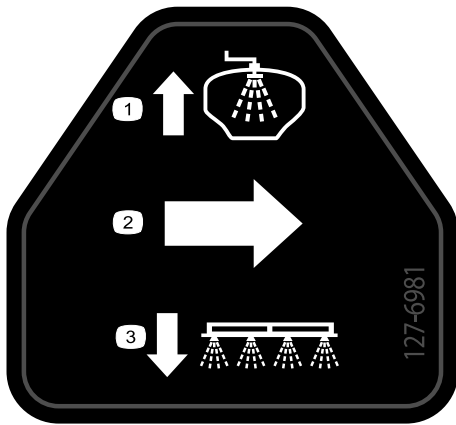
1. Backward tipping hazard—do not raise a full tank; do not move the machine with a raised tank; only raise and empty tank; only move the machine with a lowered tank.
2. Electrical shock hazard, overhead power lines—check the area for overhead power lines before operating the machine in the area.
3. Crushing hazard—keep bystanders away when lowering the tank.



127-6979

decal127-6979

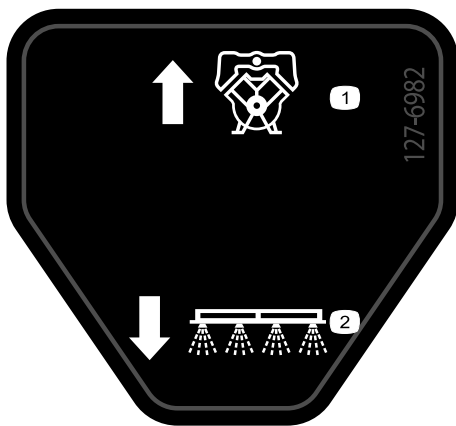
1. Bypass-return flow
2. Flow
3. Agitation flow



127-6981

decal127-6981

- 1. Bypass-return flow
- 2. Flow
- 3. Boom spray



127-6982

decal127-6982

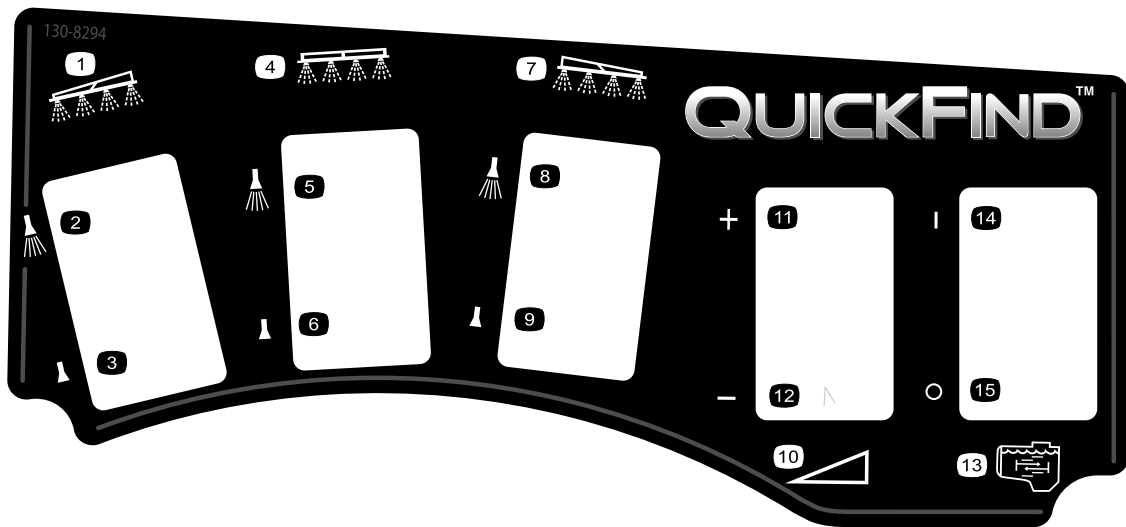
- 1. Bypass-return flow
- 2. Boom spray



127-6984

decal127-6984

- 1. Flow
- 2. Tank-return flow



decal130-8294

130-8294

- | | | | |
|------------------------|--------------------------|-------------------------|-------------------|
| 1. Left boom | 5. Center boom spray on | 9. Right boom spray off | 13. Agitation |
| 2. Left boom spray on | 6. Center boom spray off | 10. Speed | 14. Agitation on |
| 3. Left boom spray off | 7. Right boom | 11. Increase speed | 15. Agitation off |
| 4. Center boom | 8. Right boom spray on | 12. Decrease speed | |

Setup

Loose Parts

Use the chart below to verify that all parts have been shipped.

| Procedure | Description | Qty. | Use |
|-----------|---|---------------------------------|---|
| 1 | No parts required | – | Remove the existing bed. |
| 2 | Rear PTO Kit, Heavy-Duty Workman Vehicle (HD-Series Models with a Manual Transmission) Multi Pro WM Turf Sprayer Finishing Kit, Manual Workman Utility Vehicle (HD-Series Models with a Manual Transmission) Multi Pro WM Turf Sprayer Finishing Kit, Manual Workman Utility Vehicle (HD-Series Models with a Manual Transmission) Multi Pro WM Turf Sprayer Finishing Kit, Automatic Workman Utility Vehicle (HDX-Auto Model) | 1 1 1 1 | Prepare to install the center boom section. |
| 3 | Hold-down brackets | 2 | Install the attachment hold-down brackets. |
| 4 | Tank and skid assembly Clevis pins Tapered clevis pin Hairpins Lynch pins Bolt (1/2 x 1-1/2 inches) Nuts (1/2 inch) | 1 2 2 2 4 2 2 | Install the tank skid. |
| 5 | No parts required | – | Assemble the drain valve. |
| 6 | No parts required | – | Disconnect the battery. |
| 7 | No parts required | – | Connect the speed sensor harness. |
| 8 | No parts required | – | Couple the sprayer pump. |
| 9 | Console mounting bracket Flange locknut (5/16 inch) Flange-head bolt (5/16 inch) Plastic bushing Control console Spring-clip pin Hand knob | 1 3 3 2 1 1 1 | Install the control console to the machine. |
| 10 | J-clips Bolt (1/4 x 3/4 inch) Flange nut (1/4 inch) | 3 1 1 | Install the control console onto the machine. |
| 11 | Fuse decal (127–3966) | 1 | Install the control console and the electrical harness. |

| Procedure | Description | Qty. | Use |
|--------------------|--------------------------------------|------|--|
| 12 | Battery terminal bolt | 2 | Connect the sprayer harness to the battery. |
| | Clamp nut | 2 | |
| | Cover—wide (battery terminal—red) | 1 | |
| 13 | Bolt (1/2 x 1-1/2 inch) | 2 | Lower the tank skid. |
| | Locknut (1/2 inch) | 2 | |
| 14 | Center-boom assembly | 1 | Install the boom section. |
| | Bolt (3/8 x 1 inch) | 10 | |
| | Flange locknut (3/8 inch) | 10 | |
| | Boom-transport cradle | 2 | |
| | Bolt (1/2 x 1-1/4 inches) | 4 | |
| | Flange nut (1/2 inch) | 4 | |
| 15 | Left boom section | 1 | Install the left and right boom sections. |
| | Right boom section | 1 | |
| | Flange-head bolts (3/8 x 1-1/4 inch) | 8 | |
| | Backing plates | 8 | |
| | Flange locknuts (3/8 inch) | 8 | |
| | Clevis pin | 2 | |
| | Hairpin | 2 | |
| 16 | Hose clamps | 3 | Install the boom hoses. |
| | R-clamp | 2 | |
| | Shoulder bolt | 2 | |
| | Washer | 2 | |
| | Nut | 2 | |
| 18 | Freshwater tank | 1 | Install the freshwater tank. |
| | 90° elbow (3/4 inch NPT) | 1 | |
| | 90° spigot | 1 | |
| | Freshwater-tank mount | 1 | |
| | Mount strap | 4 | |
| | Flange-head bolt (5/16 x 5/8 inch) | 4 | |
| | Flange locknut (5/16 inch) | 10 | |
| | Support tube (freshwater tank) | 1 | |
| | Jam nut (5/16 inch) | 1 | |
| | Bolt (5/16 x 1 inch) | 1 | |
| | Shoulder bolt (1/2 x 1-15/16 inches) | 2 | |
| | Bolt (5/16 x 2-1/4 inch) | 2 | |
| Washer (5/16 inch) | 2 | | |
| 19 | Fill receptacle assembly | 1 | Install the anti-siphon fill receptacle. |
| | Flange-head bolt (5/16 x 3/4 inch) | 1 | |
| 20 | No parts required | – | Check the boom hinge springs. |
| 21 | Front jack stand | 2 | Store the jack stands (optional). |
| | Rear jack stand | 2 | |
| | Cotter pin | 4 | |
| | Clevis pin (4-1/2 inch) | 2 | |
| | Clevis pin (3 inch) | 2 | |
| | Knob | 2 | |
| 22 | Operator's Manual | 1 | Read the manual and view the training material before operating the machine. |
| | Operator training material | 1 | |
| | Registration card | 1 | |
| | Selection guide | 1 | |
| | Pre-delivery inspection sheet | 1 | |

Important: The Multi-Pro WM turf sprayer requires a 4-post ROPS or cab installed with the Workman vehicle.

Note: Determine the left and right sides of the machine from the normal operating position.

1

Removing the Existing Bed

No Parts Required

Procedure

CAUTION

The full bed weighs approximately 95 kg (210 lb). You can injure yourself if you remove the bed without aid.

- Do not try to install or remove the bed by yourself.
- Get the help of 2 or 3 other people or use an overhead crane.

1. Park the machine on a level surface, engage the parking brake, and start the engine.
2. Move the hydraulic lift lever forward and lower the bed until the clevis pins for the cylinder rod end lift cylinders are loose in the mounting slots of the bed mounting plates.
3. Release the hydraulic lift lever, set the hydraulic lift lock lever, and shut off the engine; refer to the *Operator's Manual* of your machine.
4. Remove the lynch pins from the outer ends of the cylinder rod clevis pins (Figure 3).

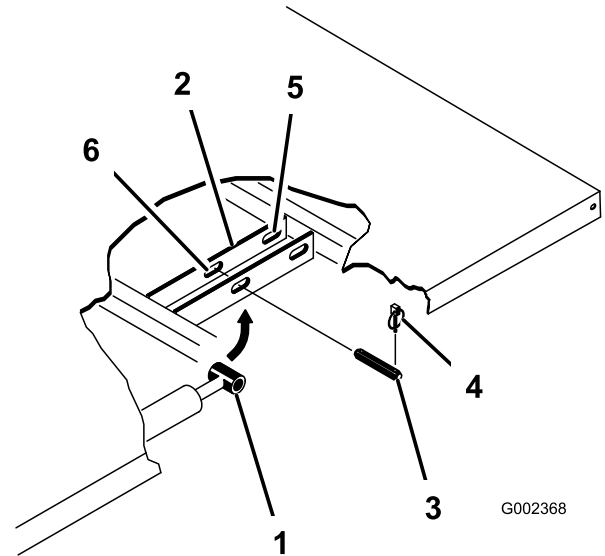


Figure 3

- | | |
|-----------------------|--------------------------|
| 1. Cylinder rod end | 4. Lynch pin |
| 2. Bed mounting plate | 5. Rear slots (full bed) |
| 3. Clevis pin | 6. Front slots (2/3 bed) |

5. Remove the clevis pins securing the cylinder rod ends to the bed mounting plates by pushing the pins toward the centerline of the machine (Figure 3).
6. Remove the lynch pins and clevis pins securing the pivot brackets of the bed to the frame channels of the machine (Figure 4).

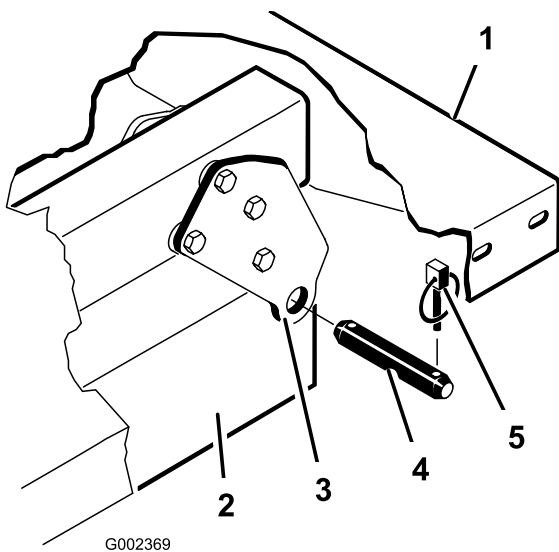


Figure 4

- 1. Left, rear corner of bed
- 2. Vehicle frame channel
- 3. Pivot plate
- 4. Clevis pin
- 5. Lynch pin

- 7. Lift the bed off the vehicle.
- 8. Stow the lift cylinders in storage clips.

2

Preparing to Install the Tank Skid

Parts needed for this procedure:

| | |
|---|---|
| 1 | Rear PTO Kit, Heavy-Duty Workman Vehicle (HD-Series Models with a Manual Transmission) |
| 1 | Multi Pro WM Turf Sprayer Finishing Kit, Manual Workman Utility Vehicle (HD-Series Models with a Manual Transmission) |
| 1 | Multi Pro WM Turf Sprayer Finishing Kit, Manual Workman Utility Vehicle (HD-Series Models with a Manual Transmission) |
| 1 | Multi Pro WM Turf Sprayer Finishing Kit, Automatic Workman Utility Vehicle (HDX-Auto Model) |

Installing the Rear PTO Kit for Heavy Duty Workman Vehicles (HD-Series Models with a Manual Transmission)

For HD- and HDX-Series Workman models with a manual transmission, fully install the Rear PTO Kit for Heavy-Duty Workman Vehicles; refer to the

Installation Instructions for the Rear PTO Kit for Heavy Duty Workman Vehicles.

High-Flow Hydraulics Kit, Workman HDX-Auto Utility Vehicle (Non-TC—HDX-Auto Model)

Fully install the High-Flow Hydraulics Kit for Workman HDX-Auto Utility Vehicles; refer to the *Installation Instructions* for the High-Flow Hydraulics Kit, Workman HDX-Auto Utility Vehicle.

Lifting the Sprayer Skid

Using lifting equipment with a 408 kg (900 lb) lift capacity, lift the tank skid from the shipping crate at the 2 front and 2 rear lift points (Figure 5).

Note: Ensure that the tank skid is raised high enough to install the jackstands.

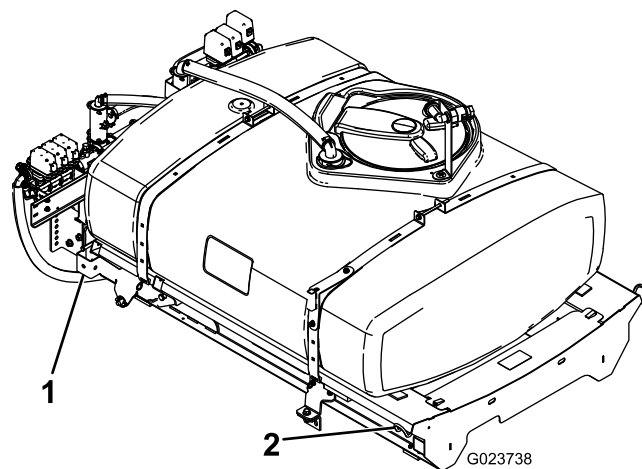


Figure 5

- 1. Rear lift point
- 2. Front lift point

Multi Pro Workman Turf Sprayer Finishing Kit (HD-Series Models with a Manual Transmission)

For HD- and HDX-Series Workman models with a manual transmission, complete the steps in the Multi Pro WM Turf Sprayer Finishing Kit for Manual Workman Utility Vehicles; refer to the *Installation Instructions* for the Multi Pro WM Turf Sprayer Finishing Kit, Manual Workman Utility Vehicle.

Multi Pro Workman Turf Sprayer Finishing Kit (HDX-Auto Model)

HDX-Automatic Series Workman models, complete the steps in the Multi Pro WM Turf Sprayer Finishing

Kit for Automatic Workman Utility Vehicles; refer to the Installation Instructions for the Multi Pro WM Turf Sprayer Finishing Kit, Automatic Workman Utility Vehicle.

3

Installing the Hold-Down Brackets for the Tank Skid

Parts needed for this procedure:

| | |
|---|--------------------|
| 2 | Hold-down brackets |
|---|--------------------|

Procedure

1. Remove the 2 rear flange-head bolts and 2 flange locknuts that secure the support bracket for the engine tube to the frame of the machine (Figure 6).

Note: Retain the fasteners for later use.

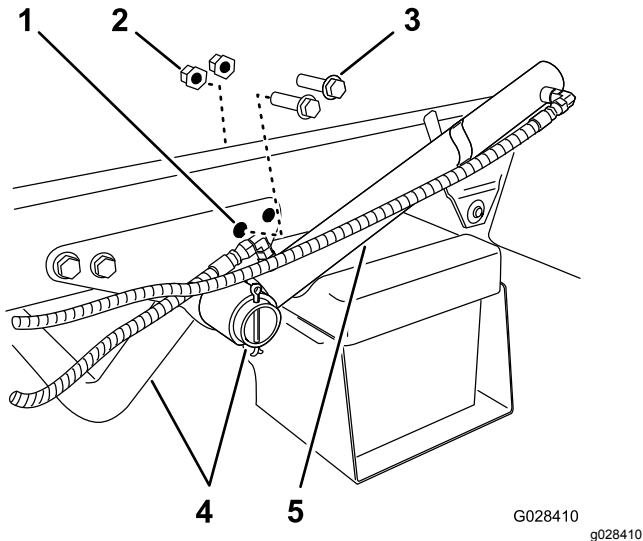


Figure 6

- | | |
|--|------------------------|
| 1. Rear hole—support bracket (engine tube) | 4. Engine support tube |
| 2. Flange locknut | 5. Lift cylinder |
| 3. Flange-head bolt | |

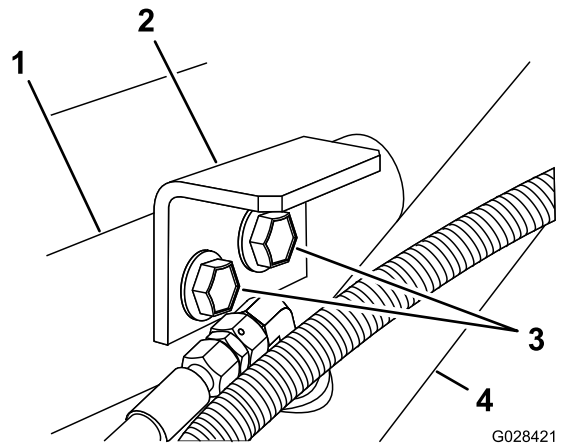


Figure 7

- | | |
|----------------------------------|------------------------|
| 1. Support bracket (engine tube) | 3. Flange-head bolts |
| 2. Hold-down bracket (tank skid) | 4. Lift cylinder skid) |

4. Torque the bolts and nuts to 91 to 113 N·m (67 to 83 ft-lb).
5. Repeat steps 1 to 4 at the opposite side of the machine.

2. Rotate the lift cylinder to provide clearance to install the hold-down bracket for the tank skid (Figure 6).
3. Assemble the hold-down brackets to support bracket and frame the using the 2 flange-head bolts and flange locknuts removed in step 1 (Figure 7).

4

Installing the Tank Skid

Parts needed for this procedure:

| | |
|---|---------------------------|
| 1 | Tank and skid assembly |
| 2 | Clevis pins |
| 2 | Tapered clevis pin |
| 2 | Hairpins |
| 4 | Lynch pins |
| 2 | Bolt (1/2 x 1-1/2 inches) |
| 2 | Nuts (1/2 inch) |

Procedure

⚠ DANGER

The sprayer tank assembly represents a stored energy hazard. If not properly retained when installing or removing the assembly, it can move or fall and injure you or other bystanders.

Use straps and an overhead lift to support the sprayer tank assembly during installation, removal, or any maintenance whenever you remove retaining fasteners.

- Using a lift, raise the tank skid assembly (Figure 8) and position it over the vehicle frame with the pump and valve assemblies facing rearward.

Note: Have another person help you perform the following steps.

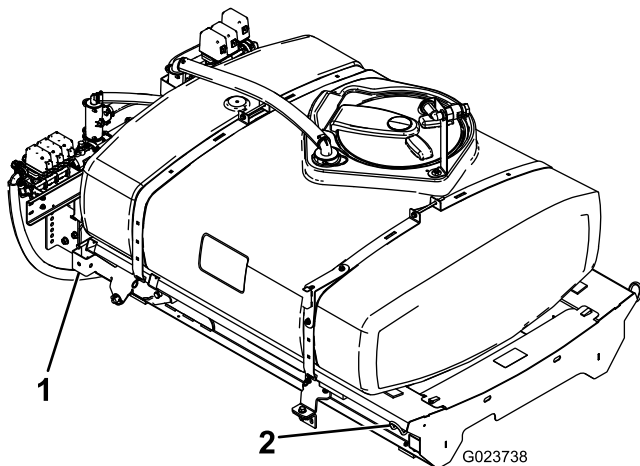


Figure 8

- Rear lift point
- Front lift point

- Slowly lower the tank skid onto the frame of the machine.
- Extend the lift cylinders to the brackets on the tank skid, and align the cylinder fittings with the holes in the tank skid brackets (Figure 9).

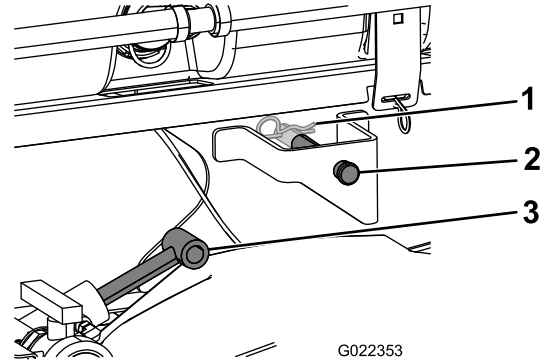


Figure 9

- Hairpin
- Clevis pin
- Lift cylinders

- Secure the tank skid to the lift cylinders with the clevis pins and hairpins at both sides of the machine.
- Line up the holes in the pivot lugs at the rear of the tank skid assembly with the holes in the bed pivot tube at the end of the vehicle frame (Figure 10).

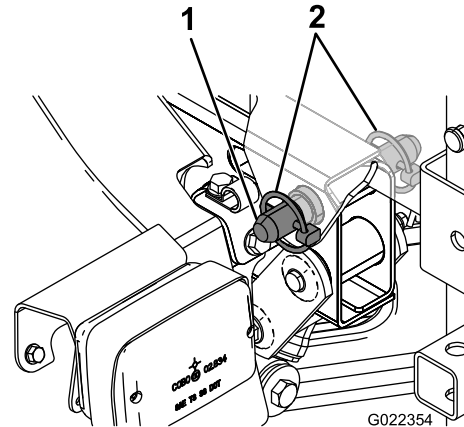


Figure 10

- Tapered clevis pin
- Lynch pin

- Install a tapered clevis pin and 2 lynch pins to the pivot lug to secure the tank assembly to the frame (Figure 10).
- Extend the lift cylinders to raise the tank and support its weight.

Note: Disconnect the tank assembly from the lifting equipment.

- Remove the bed support from the storage brackets on back of the ROPS panel (Figure 11).

5

Assembling the Drain Valve

No Parts Required

Procedure

1. Remove the cable tie that secures the drain valve and hose for the sprayer tank to the skid channel (Figure 13).

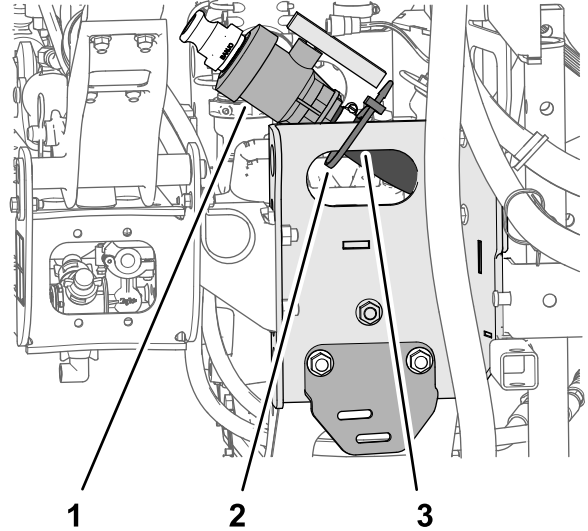


Figure 13

1. Drain valve
2. Cable tie
3. Skid channel

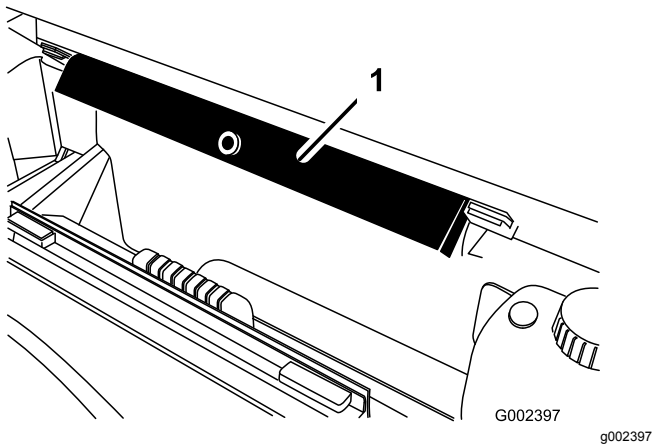


Figure 11

1. Bed support

9. Push the bed support onto the cylinder rod, making sure that the support end tabs rest on the end of cylinder barrel and on the cylinder rod end (Figure 12).

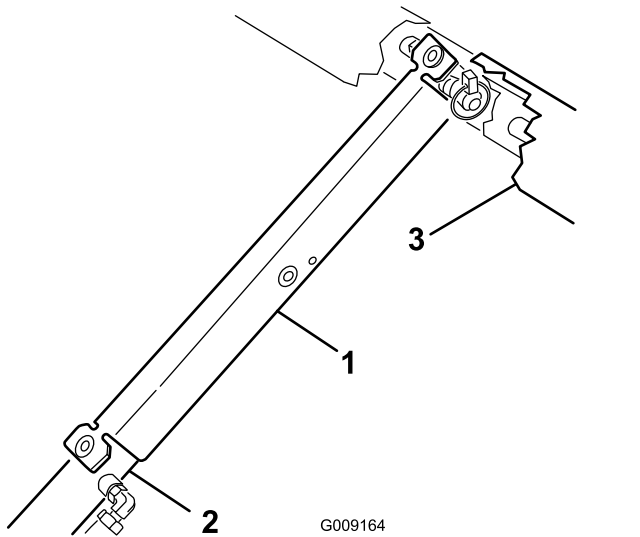


Figure 12

1. Bed support
2. Lift cylinder
3. Skid frame

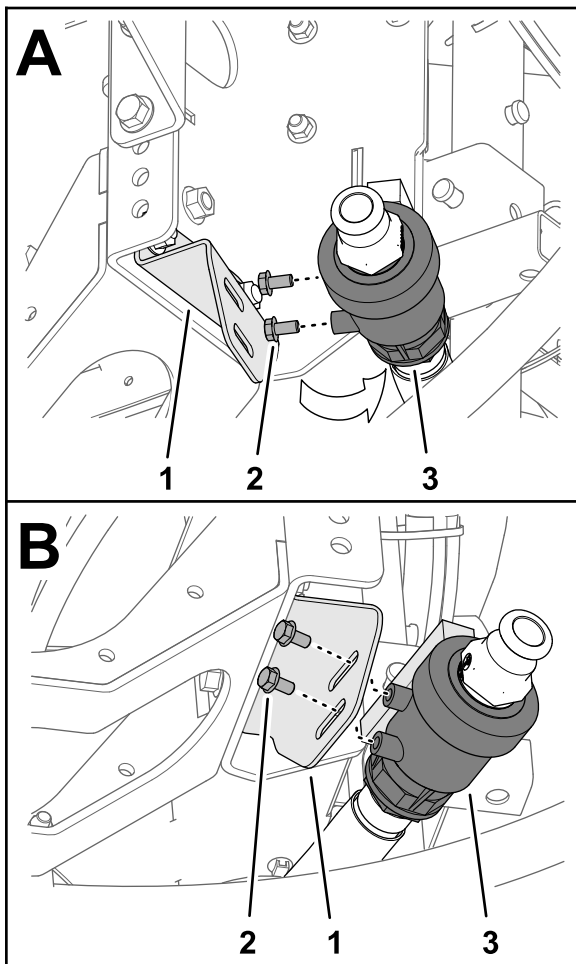


Figure 14

g213726

- | | |
|---------------------------------------|------------------------|
| 1. Drain valve | 3. Drain-valve bracket |
| 2. Flange-head bolt (5/16 x 5/8 inch) | |
-
3. Remove the 2 flange-head bolt (5/16 x 5/8 inch) from the case of the drain valve (Figure 14).
 4. Assemble the drain valve to the drain-valve bracket (Figure 14B) with the 2 flange-head bolts (5/16 x 5/8 inch) that you removed in step 3.
 5. Tighten 2 flanged-head bolts by hand (Figure 14B).

6

Disconnecting the Battery

No Parts Required

Procedure

⚠ WARNING

Incorrect battery cable routing could damage the sprayer and cables causing sparks. Sparks can cause the battery gasses to explode, resulting in personal injury.

Always *disconnect* the negative (black) battery cable before disconnecting the positive (red) cable.

⚠ WARNING

Battery terminals or metal tools could short against metal sprayer components causing sparks. Sparks can cause the battery gasses to explode, resulting in personal injury.

- When removing or installing the battery, do not allow the battery terminals to touch any metal parts of the sprayer.
 - Do not allow metal tools to short between the battery terminals and metal parts of the sprayer.
1. Squeeze the sides of the battery cover to release the tabs from the slots in the battery base, and remove the battery cover from the battery base (Figure 15).

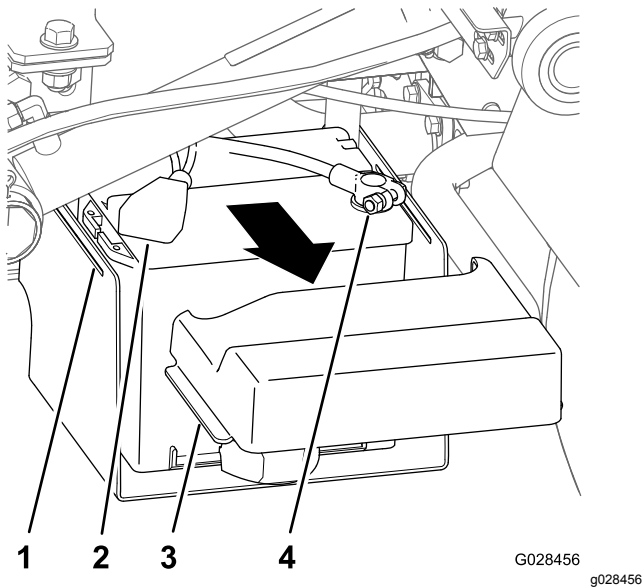


Figure 15

- | | |
|--------------------------------------|--------------------------------------|
| 1. Slot (battery base) | 3. Tab (battery cover) |
| 2. Cover (positive battery terminal) | 4. Terminal (negative battery cable) |

- Slide the cover back and remove the negative battery terminal from the battery (Figure 15).
- Remove the positive battery terminal from the battery (Figure 15).

7

Connecting the Speed Sensor Harness

No Parts Required

Connecting the Speed Sensor Harness (HD-Series Models with a Manual Transmission)

- At the wire harness for the sprayer, locate the 3-socket connector for the speed sensor circuit and the 3-pin connector for the vehicle circuit.
- At the transaxle of the machine, connect the 3-pin connector of the wire harness of the machine for speed sensor into the 3-socket connector of the sprayer harness for the speed sensor (Figure 16).

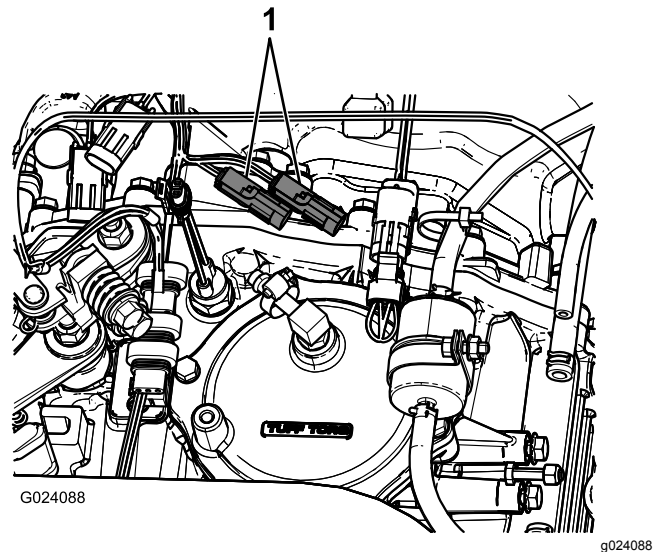


Figure 16

- Existing speed sensor plugs
- Connect the 3-pin connector for the vehicle circuit of the wire harness of the sprayer into the 3-pin socket for the vehicle circuit of the wire harness for the machine.

Connecting the Speed Sensor Harness (HDX-Auto Model)

- At the wire harness for the sprayer, locate the 3-socket connector for the speed sensor circuit (Figure 17).

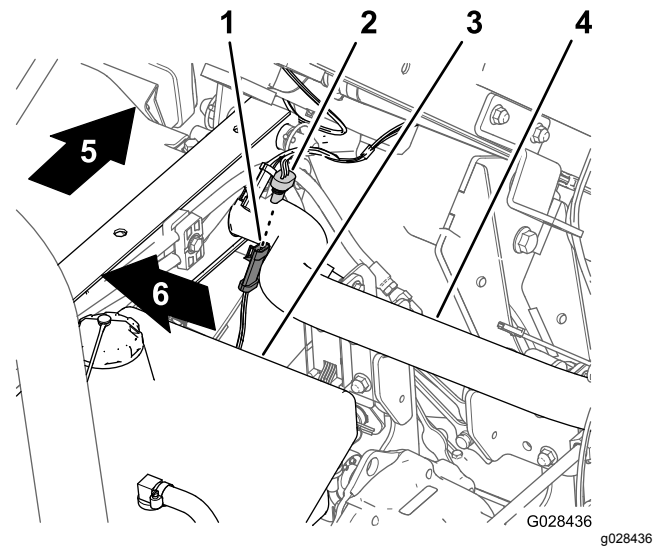


Figure 17

- | | |
|---|------------------------------|
| 1. 3-pin connector (machine wire harness—speed sensor) | 4. Rear frame tube |
| 2. 3-socket connector (sprayer wire harness—speed sensor) | 5. Back of the machine |
| 3. Hydraulic tank | 6. Right side of the machine |

2. Connect the 3-pin connector of the wire harness of the machine for speed sensor into the 3-socket connector of the sprayer harness for the speed sensor (Figure 17).

8

Coupling the Sprayer Pump

No Parts Required

Procedure

- For HD-series models with a manual transmission, couple the PTO shaft to the transaxle PTO; refer to the *Installation Instructions* for the Multi Pro WM Turf Sprayer Finishing Kit, Manual Workman Utility Vehicle.
- For HDX-Auto model—connect the hydraulic motor hoses to the quick-disconnect fittings at the high-flow hydraulic panel; refer to the *Installation Instructions* for the Multi Pro WM Turf Sprayer Finishing Kit, Automatic Workman Utility Vehicle.

9

Installing the Control Console to the Machine

Parts needed for this procedure:

| | |
|---|------------------------------|
| 1 | Console mounting bracket |
| 3 | Flange locknut (5/16 inch) |
| 3 | Flange-head bolt (5/16 inch) |
| 2 | Plastic bushing |
| 1 | Control console |
| 1 | Spring-clip pin |
| 1 | Hand knob |

Installing the Console Mounting Bracket

Note: On some Workman vehicles, the control mount plate is attached to the dashboard at the same location where the bracket for the optional hand throttle kit is mounted. If the hand throttle kit is installed, you need to remove the bracket of the hand throttle assembly from the dashboard, align the control mount plate to the dash, and install the hand throttle bracket on top

of the control mount plate. Refer to the Hand Throttle Kit *Installation Instructions* for directions on removing and installing the hand throttle assembly.

1. Remove the 3 bolts and 3 nuts that secure the lower-center portion of the dash panel to the dash support bracket (Figure 18).

Note: Some older Workman machines may use 4 bolts and flange nuts.

Note: Discard the bolts and nuts.

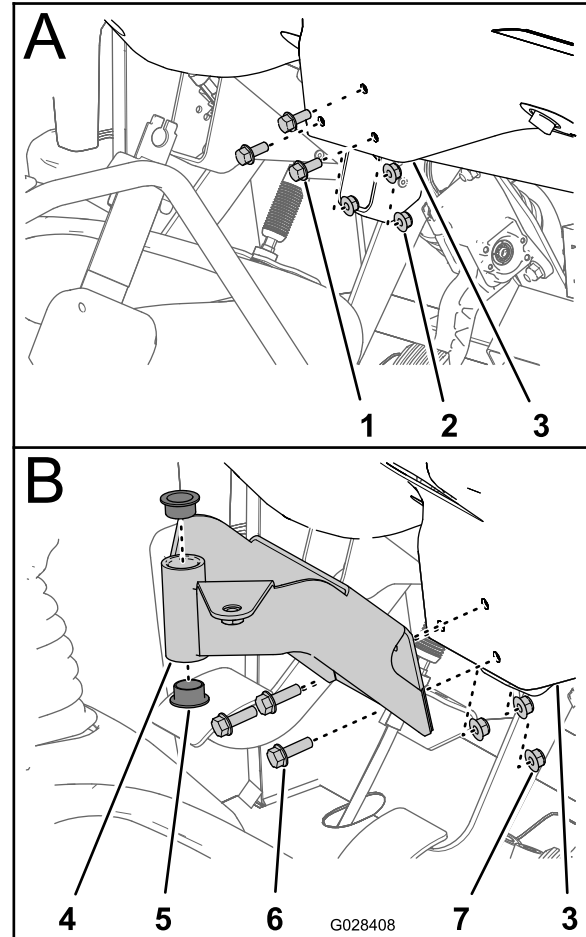


Figure 18

1. Bolt
2. Nut
3. Cash panel (lower center area)
4. Mounting bracket (control console)
5. Bushing (plastic)
6. Flange-head bolts (5/16 x 1 inch)
7. Flange locknuts (5/16 inch)

2. Align the holes in the mounting bracket for the control console with the holes in the dash and support bracket (Figure 18).
3. Assemble the mounting bracket dash panel and support bracket with the 3 flange-head bolts (5/16 x 1 inch) and 3 flange locknuts (5/16 inch).
4. Torque the nuts and bolts to (Figure 18).

5. Insert the 2 plastic bushings into the mounting bracket (Figure 18).

Installing the Control Console to the Machine

1. Remove the hairpin securing the pivot pin of the control console to the storage bracket on the sprayer tank.
2. Install the control console onto the control mounting bracket and secure the control console with the spring-clip pin (Figure 19).

Note: Ensure that the spring clip is rotated over the pivot pin to positively secure the spring-clip pin.

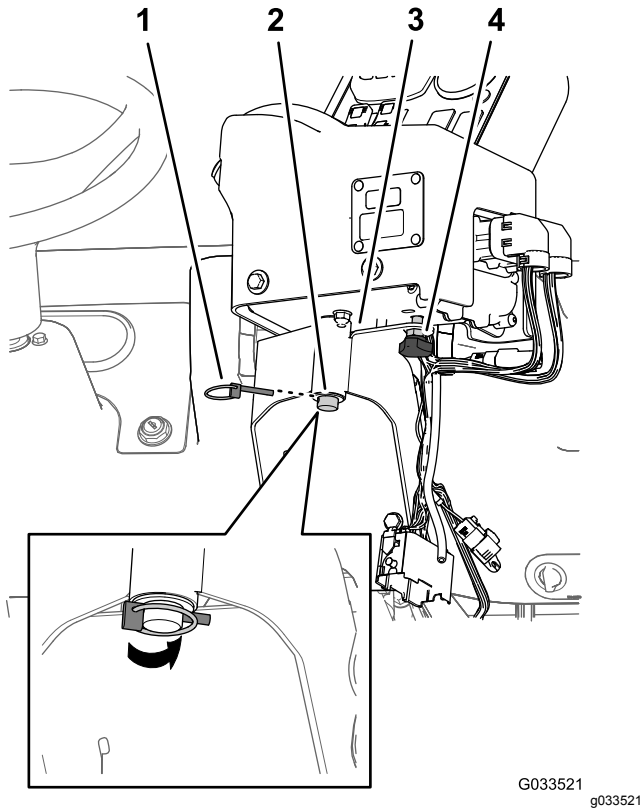


Figure 19

1. Spring-clip pin
2. Pivot pin (control console)
3. Control mounting bracket
4. Hand knob

3. Install the hand knob and tighten it to prevent the console from rotating during operation (Figure 19).

10

Installing the Electrical Harnesses for the Sprayer

Parts needed for this procedure:

| | |
|---|-----------------------|
| 3 | J-clips |
| 1 | Bolt (1/4 x 3/4 inch) |
| 1 | Flange nut (1/4 inch) |

Routing the Rear Electrical Harness for the Sprayer to the Control Console

1. Install 2 J-clips in the center console at the points located in Figure 20 or Figure 21 using the existing screws.

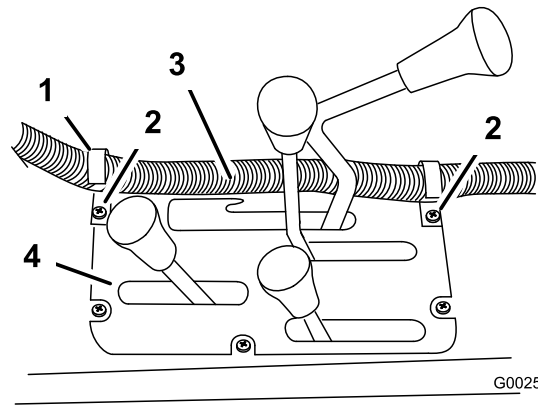


Figure 20

HD-Series models with an manual transmission

1. J-clip
2. Existing screws
3. Control-box harness
4. Center console

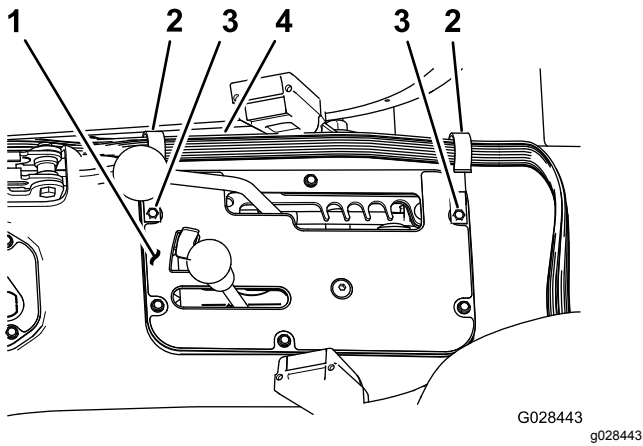


Figure 21
HDX-Auto Model

- | | |
|-------------------|------------------------|
| 1. Center console | 3. Existing screws |
| 2. J-clip | 4. Control-box harness |

2. Install a J-clip behind the passenger seat (Figure 22) using a bolt (1/4 x 1/2 inch) and a flanged nut (1/4 inch).

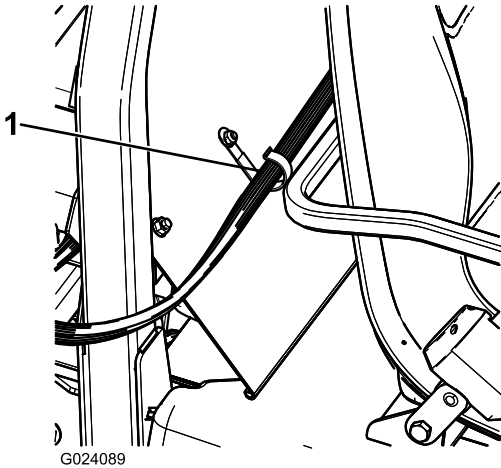


Figure 22

1. J-clip

3. Secure the control console harness to the console and ROPS cover using the J-clips (Figure 22).

Connecting the Rear Electrical Harness to the Front Electrical Harness at the Control Console

1. Align the 2 keys of the 38-pin connector of the rear wire harness for the sprayer with the 2 keyways of the 38-socket connector of the front wire harness connected to the control console (Figure 23).

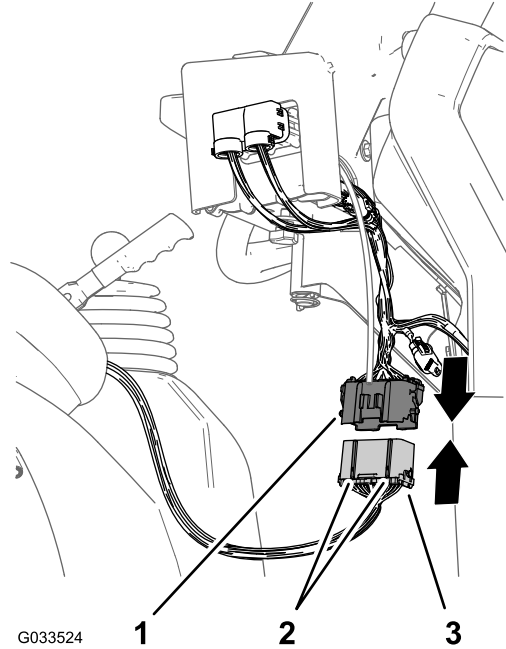


Figure 23

- | | |
|---|---|
| 1. 38-socket connector (front wire harness—control console) | 3. 38-pin connector (rear wire harness—sprayer) |
| 2. Alignment keys | |

2. Plug the rear wire-harness connector into the front wire harness connector until the latches of the connectors snap together securely (Figure 23).

11

Installing the Sprayer Fuse Block

Parts needed for this procedure:

| | |
|---|-----------------------|
| 1 | Fuse decal (127-3966) |
|---|-----------------------|

Procedure

1. At the control console for the sprayer, route the branch of the front wire harness with the fuse blocks between the bottom of the dash panel and the cross tube of the machine chassis and down toward the forward side of the fuse block of the machine ([Figure 24](#)).

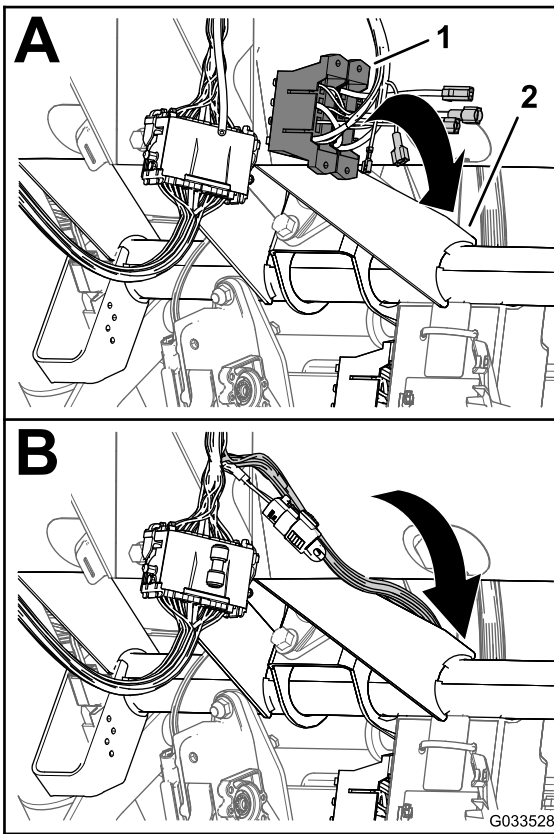


Figure 24

1. Fuse blocks (front wire harness—control console)
2. Cross tube (machine chassis)

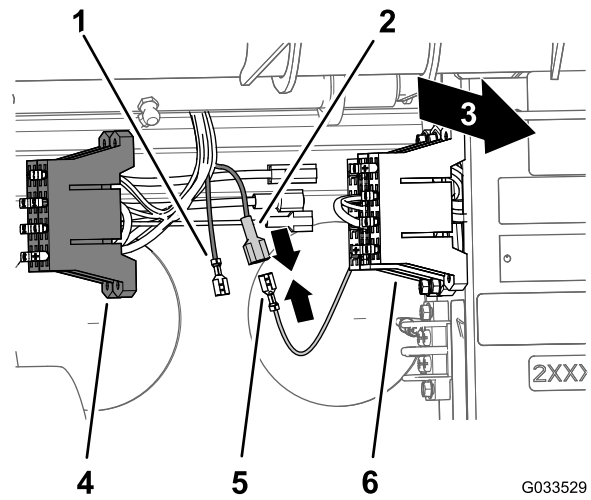


Figure 25

1. Uninsulated receptacle terminal (yellow, optional-power wire—sprayer fuse block)
2. Insulated blade terminal (yellow, optional-power wire—sprayer fuse block)
3. Back of the machine
4. Fuse block (sprayer wiring)
5. Uninsulated receptacle terminal (yellow power wire—machine fuse block)
6. Fuse block (machine wiring)

3. Connect the uninsulated receptacle terminal of the fuse block for the machine to the insulated blade terminal of the fuse block of the sprayer ([Figure 25](#)).
4. Align the T-fittings on the of the fuse block of the sprayer to the T-slots of the fuse block for the machine and slide the sprayer fuse block into the slots until the fuse block is fully seated ([Figure 26](#)).

2. Locate the uninsulated receptacle terminal at the end of the open, yellow power wire of the fuse block for the machine and the insulated blade terminal at the end of the yellow, optional power wire of the fuse block of the sprayer wiring ([Figure 25](#)).

12

Connecting the Sprayer Harness to the Battery

Parts needed for this procedure:

| | |
|---|-----------------------------------|
| 2 | Battery terminal bolt |
| 2 | Clamp nut |
| 1 | Cover—wide (battery terminal—red) |

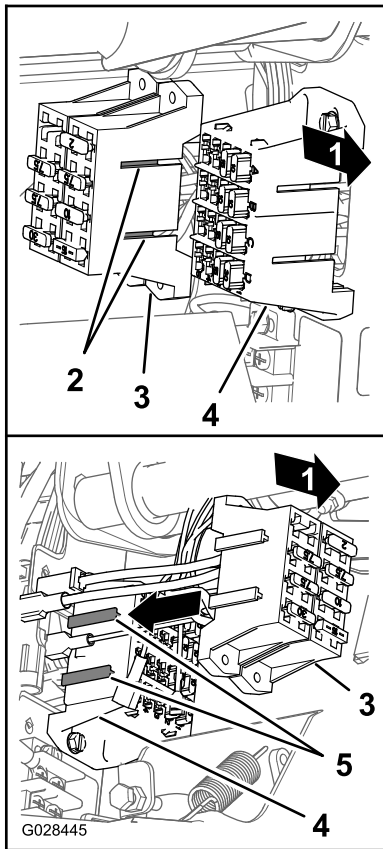


Figure 26

g028445

1. Back of the machine
 2. T-fittings (fuse block for the sprayer)
 3. Fuse block for the sprayer
 4. T-slots (fuse block for the machine)
 5. Fuse block of the machine
-
5. Attach the fuse decal on a surface near the fuse block for the sprayer.

Preparing the Positive Battery Terminal

⚠ WARNING

Incorrect battery cable routing could damage the sprayer and cables, causing sparks. Sparks can cause the battery gasses to explode, resulting in personal injury.

Always *connect* the positive (red) battery cable before connecting the negative (black) cable.

1. Remove the nuts and T-bolts at the clamps of the positive and negative battery cables (Figure 27).

Note: You no longer need the nuts and T-bolts.

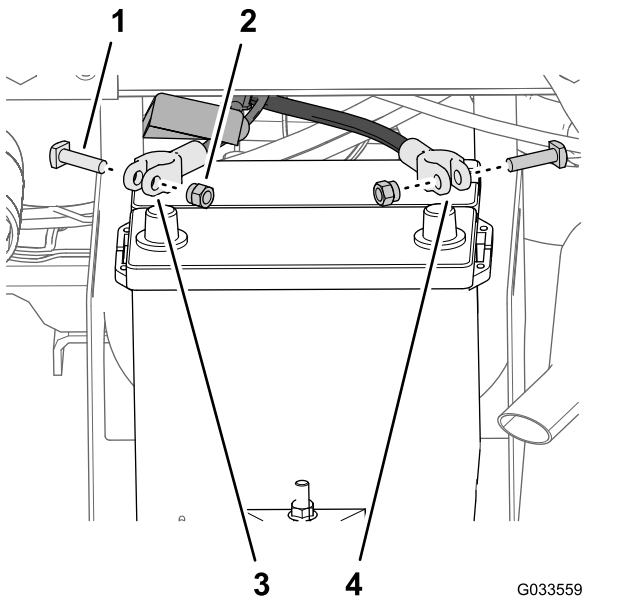


Figure 27

G033559
g033559

- | | |
|-----------|-------------------------------------|
| 1. T-bolt | 3. Positive battery cable (machine) |
| 2. Nut | 4. Negative battery cable (machine) |

- Remove the cover (narrow) from the positive battery cable ([Figure 28](#)).

Note: You no longer need the narrow battery cover.

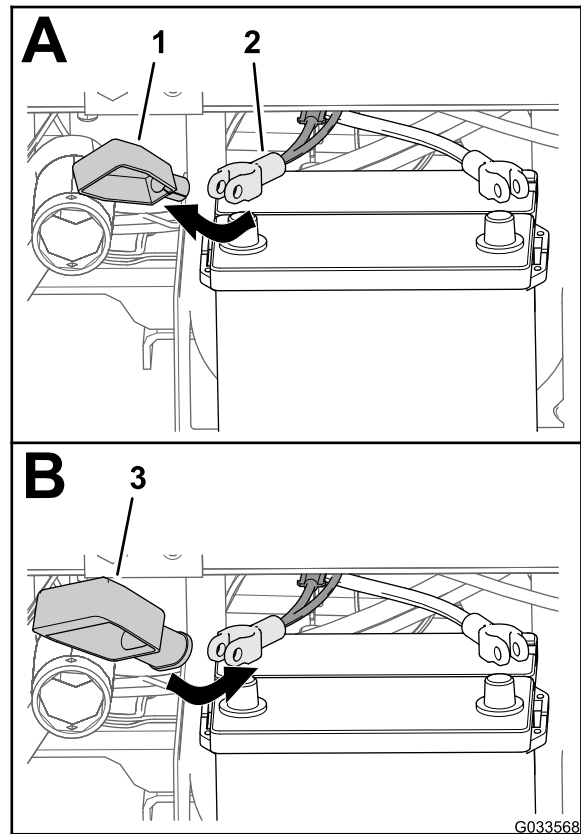


Figure 28

G033568

g033568

- | | |
|--|--------------------------------------|
| 1. Cover—narrow (battery terminal—red) | 3. Cover—wide (battery terminal—red) |
| 2. Positive battery cable (machine) | |

- Install the wide battery cover over the positive battery cable as shown in [Figure 28](#).

Note: Slide the cover far enough over the cables to allow access to the post clamp.

- Align the ring terminal of the fusible link (sprayer wire harness) through the wide battery cover as shown in [Figure 29](#).

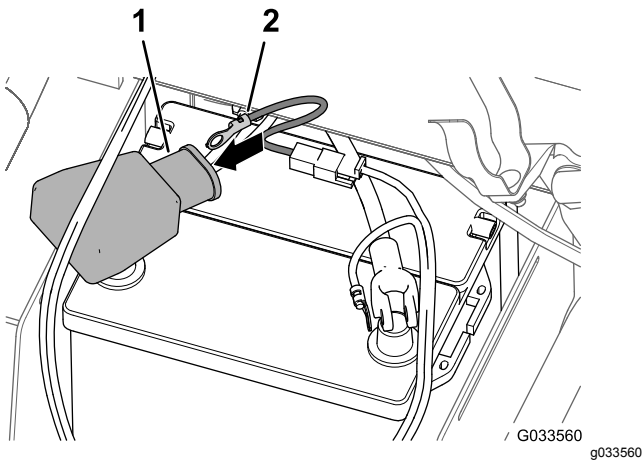


Figure 29

- | | |
|--------------------------------------|--|
| 1. Cover—wide (battery terminal—red) | 2. Terminal (fusible-link harness—sprayer harness) |
|--------------------------------------|--|

5. Loosely assemble a terminal bolt and a clamp nut to the positive and negative battery-cable clamps (Figure 30).

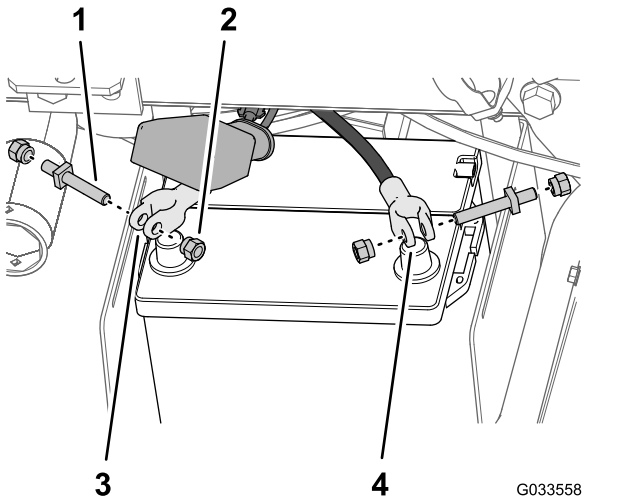


Figure 30

- | | |
|------------------|---------------------------------|
| 1. Terminal bolt | 3. Positive battery-cable clamp |
| 2. Clamp nut | 4. Negative battery-cable clamp |

6. Secure the ring terminal of the fusible link (sprayer wire harness) to the post of the terminal bolt that you assembled to the positive battery cable with a clamp nut (Figure 31).

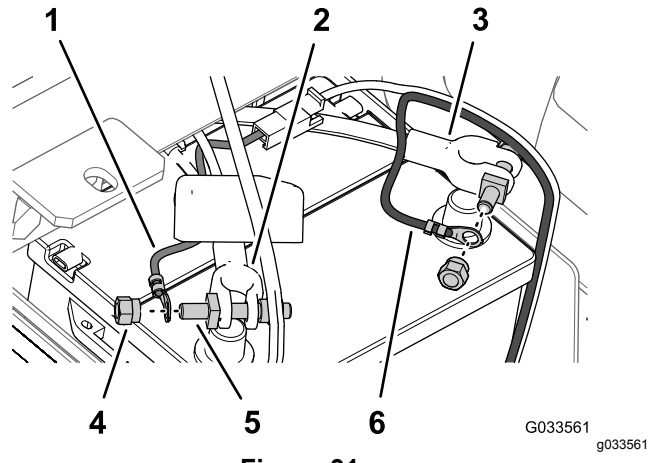


Figure 31

- | | |
|---|---|
| 1. Ring terminal (fusible-link harness—sprayer harness) | 4. Clamp nut |
| 2. Positive battery cable (machine) | 5. Terminal bolt |
| 3. Negative battery cable (machine) | 6. Ring terminal (negative battery wire—sprayer wire harness) |

7. Secure the ring terminal of the negative wire (black—sprayer wire harness) to the post of the terminal bolt that you assembled to the negative battery cable with a clamp nut (Figure 31).
8. Assemble the positive battery cable onto the **positive** battery post and tighten the clamp nut by hand (Figure 32).

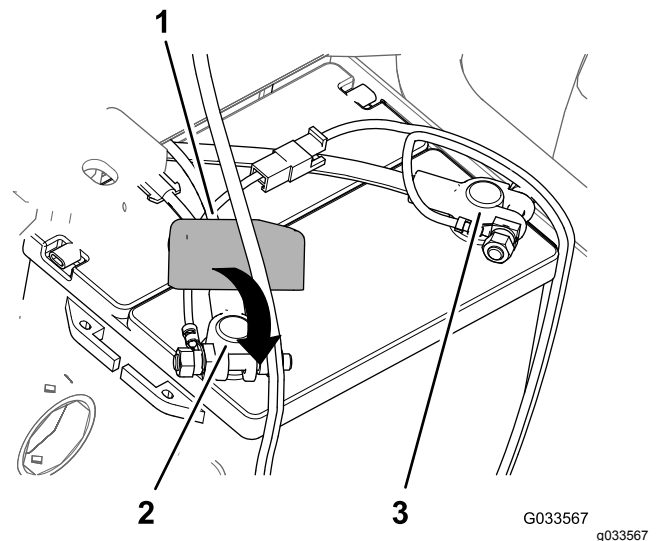


Figure 32

- | | |
|-------------------------------------|--------------------------|
| 1. Cover—new (battery terminal—red) | 3. Negative battery post |
| 2. Positive battery post | |

9. Assemble the **negative** battery cable onto the negative battery post and tighten the clamp nut by hand.

- Squeeze the sides of the battery cover, align the tabs of the cover with the slots in the battery base, and release the battery cover (Figure 33).

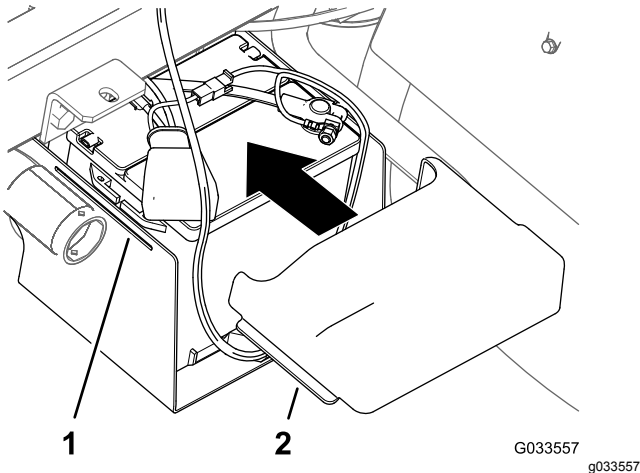


Figure 33

- Slot (battery base)
- Tab (battery cover)

13

Lowering the Tank Skid

Parts needed for this procedure:

| | |
|---|-------------------------|
| 2 | Bolt (1/2 x 1-1/2 inch) |
| 2 | Locknut (1/2 inch) |

Procedure

- Start the machine and raise the tank skid slightly with the lift cylinders.
- Remove the bed support from the lift cylinder and stow the support in the storage brackets at the back of the ROPS panel (Figure 34 and Figure 35).

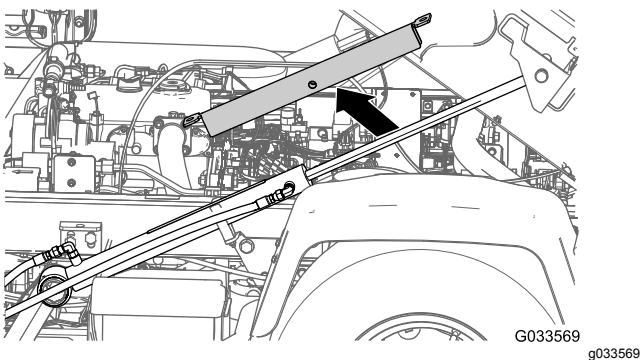


Figure 34

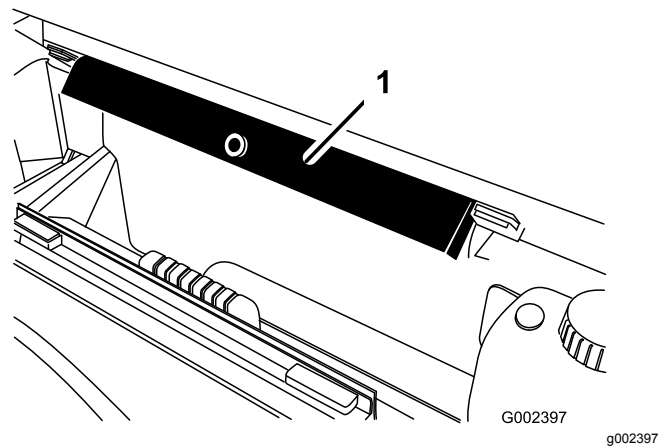


Figure 35

- Bed support

- Use lift cylinders to slowly lower the tank to the frame.

Note: Have another person observe the tank skid as it lowers. Look for hoses and wiring that might become pinched or bent.

- Check the alignment of the tank skid to the frame of the machine.
- Remove the access panels at both sides of the skid frame (Figure 36).

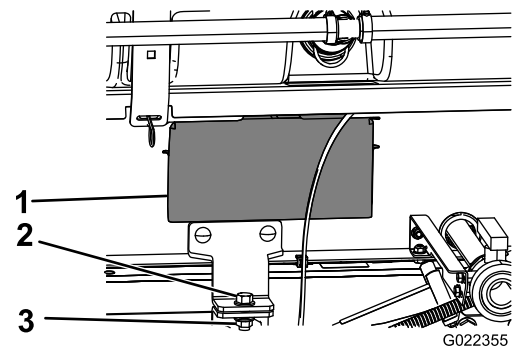


Figure 36

- Access panel door
- Bolt (1/2 x 1-1/2 inch)
- Locknut (1/2 inch)

- Check the hoses or wiring that you can see through the opening in the skid frame for signs of pinching or bending.

Important: If any hoses or wiring on the tank skid assembly are pinched or bent, raise the assembly up, adjust its positioning, and tie the items back.

- Align the front mounting brackets with the hold-down brackets installed in [3 Installing the Hold-Down Brackets for the Tank Skid \(page 18\)](#).
- Secure the hold down bracket of the tank skid assembly to the bed bracket on the frame at

each side of the machine with a bolt (1/2 x 1-1/2 inches) and a locknut (1/2 inch) as shown in [Figure 36](#).

9. Torque the bolt and locknut to 91 to 113 N·m (67 to 83 ft-lb).
10. Repeat steps 7 through 9 at the other side of the tank skid and machine.

14

Installing the Center Boom Section

Parts needed for this procedure:

| | |
|----|---------------------------|
| 1 | Center-boom assembly |
| 10 | Bolt (3/8 x 1 inch) |
| 10 | Flange locknut (3/8 inch) |
| 2 | Boom-transport cradle |
| 4 | Bolt (1/2 x 1-1/4 inches) |
| 4 | Flange nut (1/2 inch) |

Assembling the Boom-Transport Cradles

1. Attach lifting equipment to the center boom section and remove it from the shipping container.
2. Align the boom transport cradles to the center boom section ([Figure 37](#)).

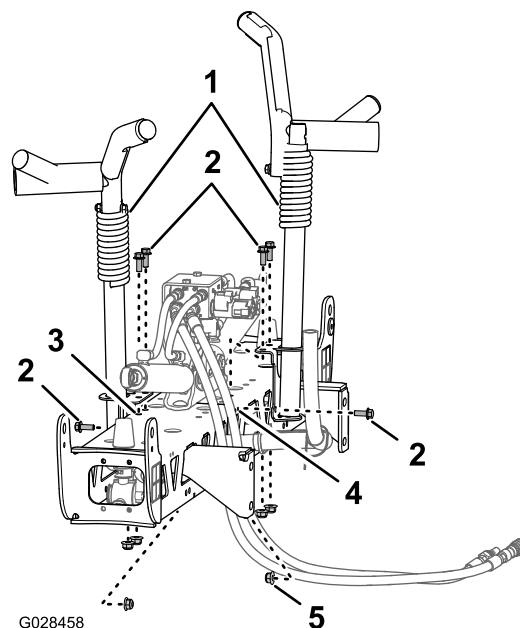


Figure 37

1. Boom-transport cradle
2. Bolts (3/8 x 1 inch)
3. Vertical holes (boom center section)
4. Horizontal hole (boom center section)
5. Flanged locknut (3/8 inch)

3. Assemble the cradles to the boom section ([Figure 37](#) and [Figure 38](#)) with 6 bolts (3/8 x 1 inch) and 6 flanged locknuts (3/8 inch).

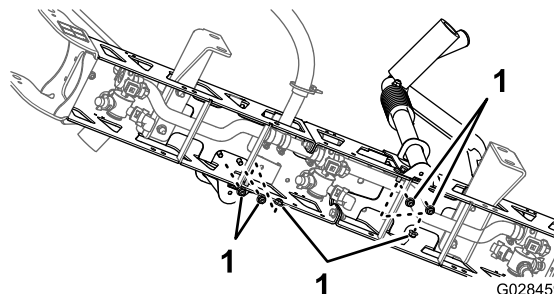


Figure 38

1. Locknuts (3/8 inch)
4. Torque the bolts and nuts to 37 to 45 N·m (27 to 33 ft-lb).

Installing the Center Boom Section to the Tank Skid

1. Start the machine, remove the bed support from the lift cylinder and stow the support, lower the tank skid, shutoff the machine, and remove the key from the starter switch.
2. Align the bottom hole in the section mounting brackets of the center boom assembly with the

third hole from the bottom in the boom supports on the spray skid frame, as shown in [Figure 39](#).

Note: If necessary, loosen the boom supports and adjusted them to the center boom section for better hole alignment. Torque the bolts and nuts to 67 to 83 N·m (91 to 113 ft-lb).

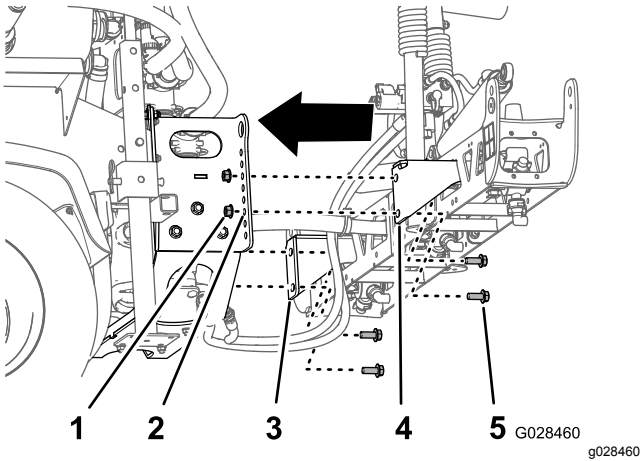


Figure 39

- | | |
|--|-------------------------------------|
| 1. Locknut (1/2 inch) | 4. Section mounting bracket (right) |
| 2. Hole 3—from the bottom (boom support) | 5. Bolt (1/2 x 1-1/4 inches) |
| 3. Section mounting bracket (left) | |
-
- Assemble the center boom assembly to the spray skid frame with 4 bolts (1/2 x 1-1/4 inches) and 4 locknuts (1/2 inch).
 - Torque the bolts and nuts to 67 to 83 N·m (91 to 113 ft-lb).

Connecting the Hoses and Wiring for the Boom Lift Valve

- For HD-Series Models with a Manual Transmission, refer to the installation instructions for the Multi Pro WM Turf Sprayer Finishing Kit, Manual Workman Utility Vehicle.
- For HDX-Auto Model, refer to the installation instructions for the Multi Pro WM Turf Sprayer Finishing Kit, Automatic Workman Utility Vehicle.

15

Installing the Left and Right Boom Section

Parts needed for this procedure:

| | |
|---|--------------------------------------|
| 1 | Left boom section |
| 1 | Right boom section |
| 8 | Flange-head bolts (3/8 x 1-1/4 inch) |
| 8 | Backing plates |
| 8 | Flange locknuts (3/8 inch) |
| 2 | Clevis pin |
| 2 | Hairpin |

Procedure

Each boom section weighs approximately 14 kg (30 lb).

- Remove the 4 flange-head bolts (3/8 x 1-1/4 inch), 4 backing plates, and 4 flange locknuts (3/8 inch) from the hinge bracket of the center-boom section.
- Rotate each pivot bracket at the end of the center boom section so that the brackets align vertically ([Figure 40](#)).

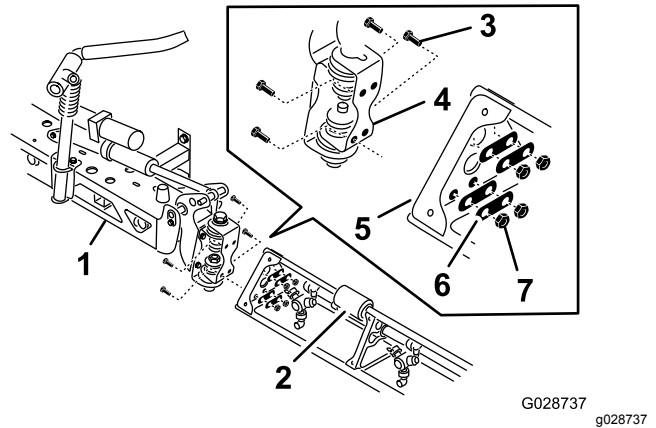


Figure 40

- | | |
|---|-------------------------------|
| 1. Center boom section | 5. Triangular mounting plate |
| 2. Boom extension | 6. Backing plates |
| 3. Hinge plate | 7. Flange locknuts (3/8 inch) |
| 4. Flange-head bolts (3/8 x 1-1/4 inch) | |

- Lift the outer boom section and align holes in the triangular mounting plate at the end of the outer boom section with the holes in the pivot bracket.

Note: Ensure that the turrets for the sprayer nozzles are facing rearward.

4. Assemble hinge plate to the triangular plate using 4 flange-head bolts, 4 backing plates, and 4 flange locknuts (Figure 40), that you removed in step 1.
5. Torque the nuts bolts and nuts to 37 to 45 N·m (27 to 33 ft-lb).
6. Align the rod end of the boom lift cylinder with the holes in the horn of the pivot bracket (Figure 40).

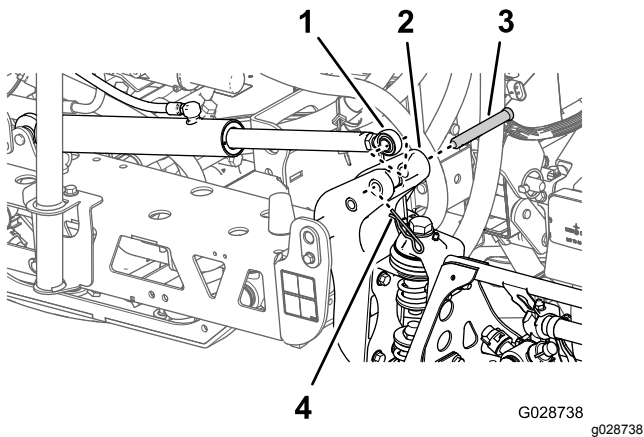


Figure 41

- | | |
|---------------------------------|----------------------------------|
| 1. Rod end (boom lift cylinder) | 3. Clevis pin (5/8 x 4-3/4 inch) |
| 2. Horn (pivot bracket) | 4. Hairpin |

-
7. Secure the rod end to the pivot bracket with a clevis pin and a hairpin (Figure 40).
 8. Repeat step 1 through 5 on the other side of the center-boom assembly with the opposing boom section.

Note: Before you finish this procedure, ensure that all of turrets for the spray nozzles are facing rearward.

16

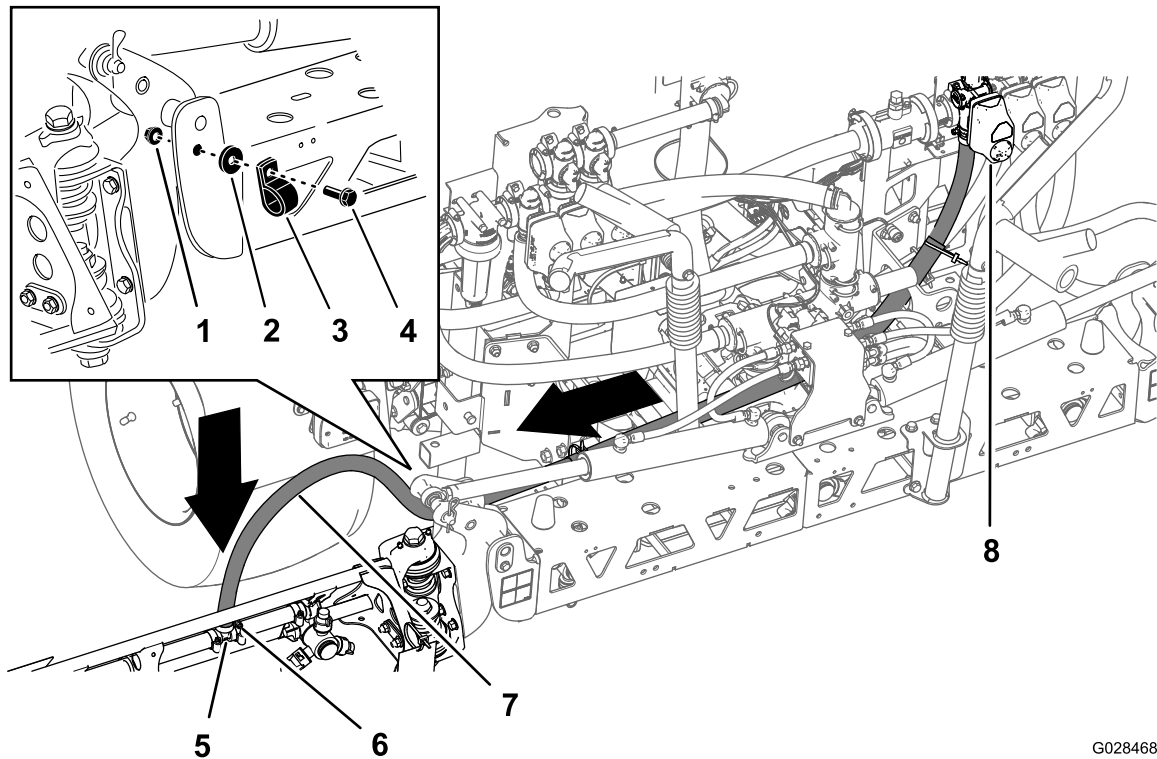
Installing the Boom Hoses

Parts needed for this procedure:

| | |
|---|---------------|
| 3 | Hose clamps |
| 2 | R-clamp |
| 2 | Shoulder bolt |
| 2 | Washer |
| 2 | Nut |

Installing the Left and Right Boom Section Hoses

1. Route the boom-section hoses as shown in [Figure 42](#) and [Figure 43](#).

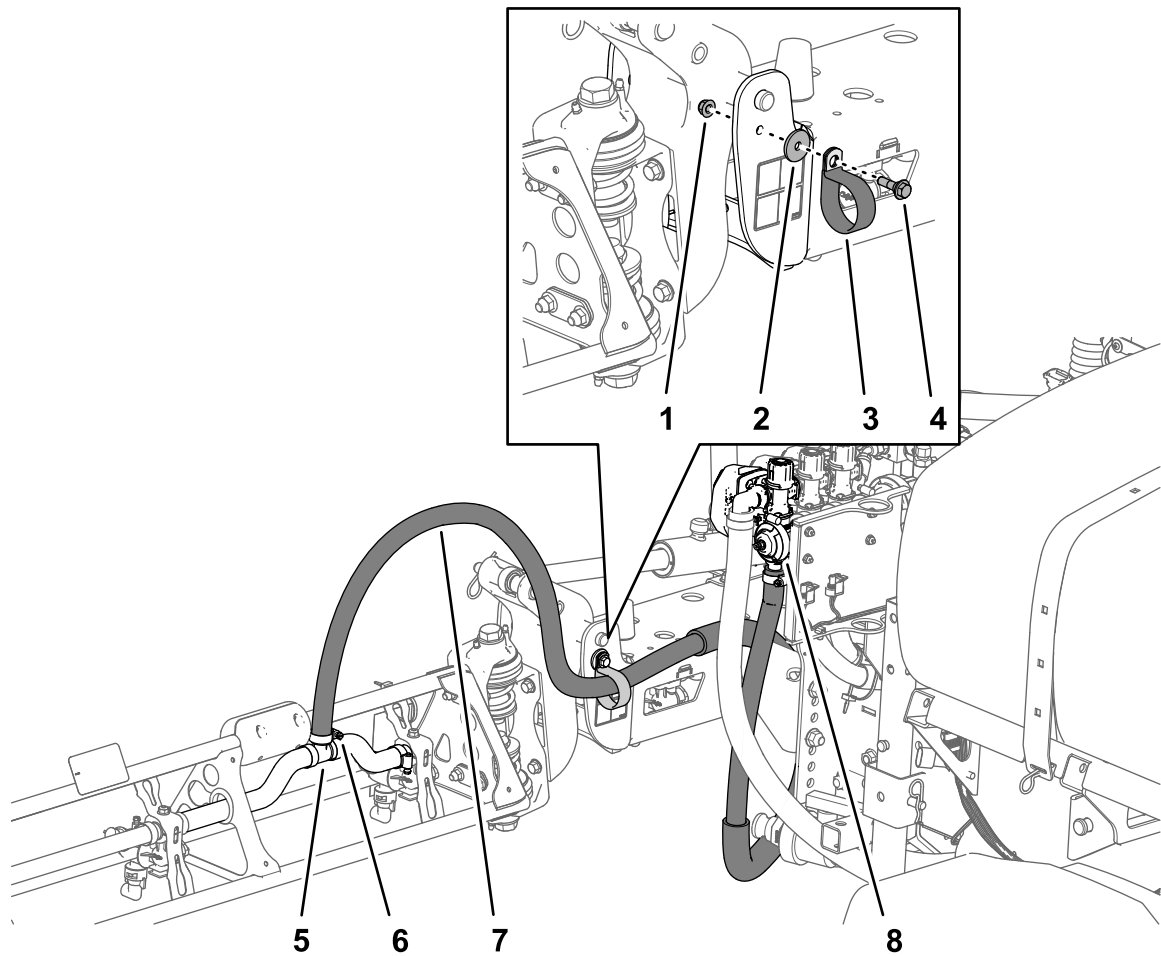


G028468

g028468

Figure 42
Hose—Left Boom Section

- | | | |
|------------|------------------|-----------------------|
| 1. Nut | 4. Shoulder bolt | 7. Left-boom hose |
| 2. Washer | 5. T-fitting | 8. Left-section valve |
| 3. R-clamp | 6. Hose clamp | |



g213727

Figure 43
Hose—Right Boom Section

- | | | |
|------------|------------------|------------------------|
| 1. Nut | 4. Shoulder bolt | 7. Right-boom hose |
| 2. Washer | 5. T-fitting | 8. Right-section valve |
| 3. R-clamp | 6. Hose clamp | |

2. Secure the boom hoses to the front side of the center boom section (Figure 42 and Figure 43) with 1 R-clamp, 1 shoulder bolt (5/16 x 1 inch), 1 locknut (5/16 inch), and 1 washer (5/16 inch).
3. Install the boom section hose over the barbed T-fitting at the boom section and secure the hose with a hose clamp (Figure 42 and Figure 43).

Note: Apply a coat of liquid soap to the hose barb of the tee fitting to ease installation of the hose.

4. Repeat steps 1 through 3 on the hose to the boom section on the other side of the sprayer.

Installing the Center Boom-Section Hose

1. Route the center boom-section hose as shown in [Figure 44](#).

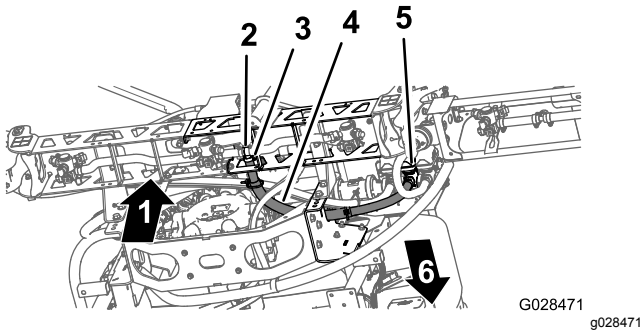


Figure 44

- | | |
|---------------|-------------------------|
| 1. Up | 4. Center-boom hose |
| 2. T-fitting | 5. Center-section valve |
| 3. Hose clamp | 6. Front of the machine |

2. Install the boom section hose over the barbed T-fitting at the center boom section and secure the hose with a hose clamp ([Figure 44](#)).

Note: Apply a coat of liquid soap to the hose barb of the tee fitting to ease installation of the hose.

17

Installing the Nozzles

No Parts Required

Procedure

The nozzles that you use to apply your chemicals vary depending on the rate of application that you need; therefore, nozzles are not supplied with the kit. To obtain the correct nozzles for your needs, contact your Authorized Toro Distributor and be prepared to give them the following information:

- The target application rate in liters per hectare, US gallons per acre, or US gallons per 1,000 square feet.
 - The target speed of the vehicle in kilometers per hour or miles per hour.
1. Thread or insert the nozzle into the nozzle receptacle followed by a gasket.
 2. Slide the nozzle receptacle over the nozzle fitting on a turret.

3. Turn the nozzle clockwise to lock the cams on the receptacle in place.
4. Verify the fan portion of the nozzle.

See the *Installation Instructions* accompanying the nozzles for more information.

18

Installing the Freshwater Tank

Parts needed for this procedure:

| | |
|----|--------------------------------------|
| 1 | Freshwater tank |
| 1 | 90° elbow (3/4 inch NPT) |
| 1 | 90° spigot |
| 1 | Freshwater-tank mount |
| 4 | Mount strap |
| 4 | Flange-head bolt (5/16 x 5/8 inch) |
| 10 | Flange locknut (5/16 inch) |
| 1 | Support tube (freshwater tank) |
| 1 | Jam nut (5/16 inch) |
| 1 | Bolt (5/16 x 1 inch) |
| 2 | Shoulder bolt (1/2 x 1-15/16 inches) |
| 2 | Bolt (5/16 x 2-1/4 inch) |
| 2 | Washer (5/16 inch) |

Assembling the Mount Bracket to the Freshwater Tank

1. Assemble the freshwater tank to the freshwater-tank mount with the 2 mount straps, 4 flange-head bolt (5/16 x 5/8 inch), and 4 flange locknuts (5/16 inch) as shown in [Figure 45](#).

Note: Ensure that the elbow and spigot are aligned to the same side of the tank as the freshwater-tank decal.

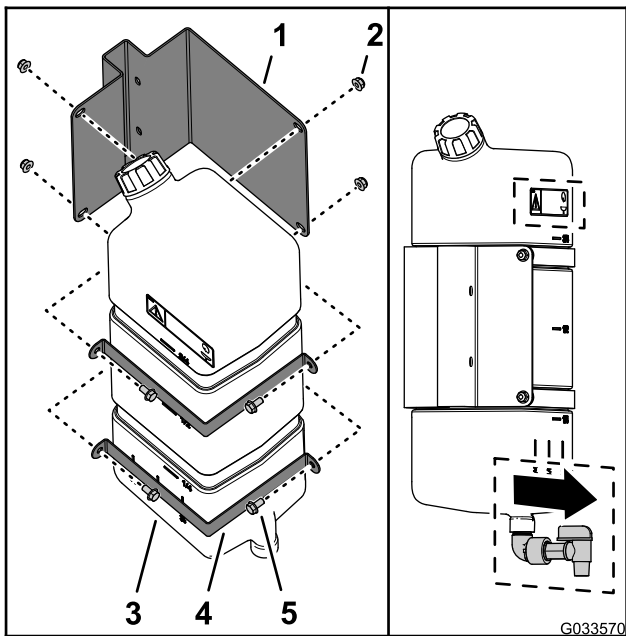


Figure 45

- | | |
|-------------------------------|---------------------------------------|
| 1. Freshwater-tank mount | 4. Mount strap |
| 2. Flange locknut (5/16 inch) | 5. Flange-head bolt (5/16 x 5/8 inch) |
| 3. Freshwater tank | |

2. Torque the bolts and nuts to 20 to 25 N·m (175 to 225 in-lb).

Installing the Tank-Support Tube

1. Align the support tube for the freshwater tank with the tank-support channel (Figure 46).

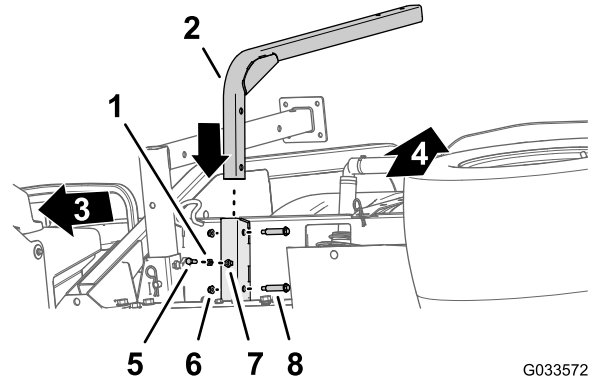


Figure 46

- | | |
|-----------------------------------|---|
| 1. Jam nut (5/16 inch) | 5. Bolt (5/16 x 1 inch) |
| 2. Support tube (freshwater tank) | 6. Flange locknut (5/16 inch) |
| 3. Front of the machine | 7. Weld nut (support channel—freshwater tank) |
| 4. Top of the machine | 8. Shoulder bolt (1/2 x 1-15/16 inches) |

2. Align the holes in the support tube with the holes in the channel (Figure 46).
3. Secure the tube to the channel (Figure 46) with the 2 shoulder bolts (1/2 x 1-15/16 inches) and 2 flange locknuts (5/16 inch).
4. Torque the bolts and nuts to 20 to 25 N·m (175 to 225 in-lb).
5. Thread the jam nut (5/16 inch) into the bolt (5/16 x 1 inch) as shown in Figure 46.
6. Thread the bolt (5/16 x 1 inch) and jam nut into the weld nut at the bottom of the tank support channel and tighten the bolt and jam nut by hand (Figure 46).

Installing the Tank

Note: The Multi-Pro WM turf sprayer requires a 4-post ROPS or cab installed onto the Workman vehicle.

1. Assemble the freshwater tank and mount onto the support tube with the 2 bolts (5/16 x 2-1/4 inch) and 2 flange locknuts (5/16 inch) as shown in [Figure 47](#).

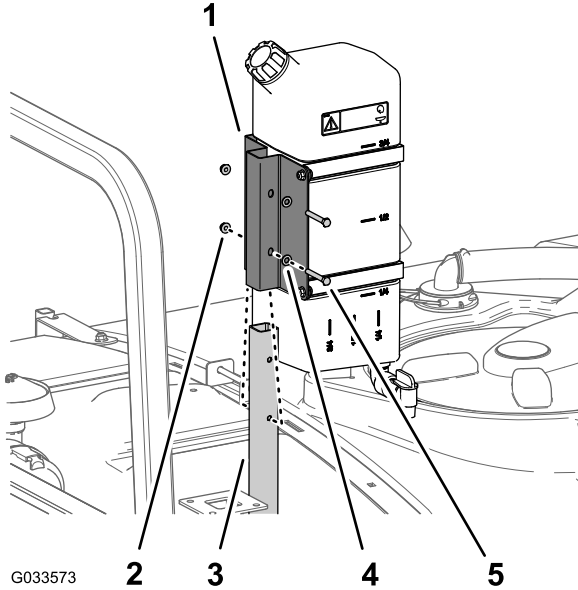


Figure 47

1. Freshwater tank mount
2. Flange locknut (5/16 inch)
3. Support tube (freshwater tank)
4. Washer (5/16 inch)
5. Bolt (5/16 x 2-1/4 inch)

2. Torque the bolts and nuts to 20 to 25 N·m (175 to 225 in·lb).

19

Installing the Anti-Siphon Fill Receptacle

Parts needed for this procedure:

| | |
|---|------------------------------------|
| 1 | Fill receptacle assembly |
| 1 | Flange-head bolt (5/16 x 3/4 inch) |

Procedure

Place the fill-receptacle assembly over the threaded hole in the tank ([Figure 48](#)) and secure it with a flange-head bolt (5/16 x 3/4 inch).

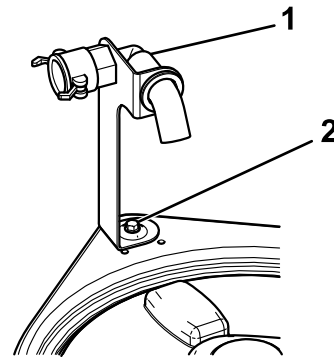


Figure 48

1. Fill-receptacle assembly
2. Flange bolt (5/16 x 3/4 inch)

20

Checking the Boom Hinge Springs

No Parts Required

Procedure

Important: Operating the spray system with the boom hinge springs under the incorrect compression could damage the boom assembly. Measure the springs and use the jam nut to compress the springs to 4 cm (1-1/2 inches) if necessary.

The sprayer is shipped with the boom extensions swung forward to facilitate packaging of the machine. The springs are not fully tightened at the time of manufacture to allow the booms to be in this position for transit. Before operating the machine, adjust the springs to the correct compression.

1. If necessary, remove the packing components that secure the right and left extension booms during shipping.
2. Support the booms while they are extended to the spray position.
3. At the boom hinge, measure the compression of the upper and lower springs while the booms are in their extended position (Figure 49).
 - A. Compress all the springs until they measure 4 cm (1-1/2 inches).
 - B. Use the jam nut to compress any spring that measures greater than 4 cm (1-1/2 inches).

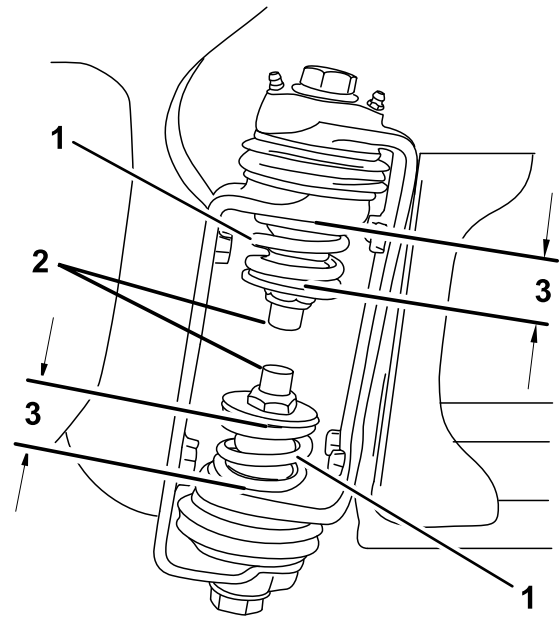


Figure 49

g210326

1. Boom hinge spring
2. Jam nut
3. 4 cm (1-1/2 inches)

4. Repeat the procedure for each spring on both boom hinges.
5. Move the booms into the transport “X” position.

Note: See [Using the Boom Transport Cradle \(page 57\)](#) for more information.

21

Storing the Jack Stands (Optional)

Parts needed for this procedure:

| | |
|---|-------------------------|
| 2 | Front jack stand |
| 2 | Rear jack stand |
| 4 | Cotter pin |
| 2 | Clevis pin (4-1/2 inch) |
| 2 | Clevis pin (3 inch) |
| 2 | Knob |

Procedure

1. Insert the front jack stands upside down into the frame near the front tie-down points (Figure 50).

22

Learning More about Your Product

Parts needed for this procedure:

| | |
|---|-------------------------------|
| 1 | <i>Operator's Manual</i> |
| 1 | Operator training material |
| 1 | Registration card |
| 1 | Selection guide |
| 1 | Pre-delivery inspection sheet |

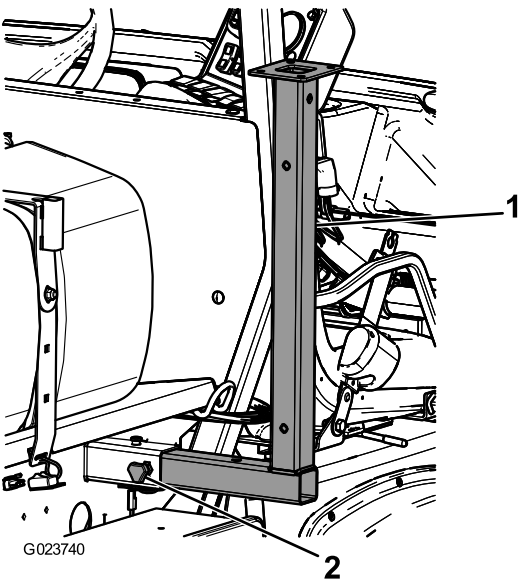


Figure 50

g023740

- 1. Front jack stand
- 2. Knob

-
- 2. Secure the front jack stands with 2 clevis pins (3 inch) and 2 cotter pins through the middle hole on the stands.
 - 3. Insert the rear jack stands from the bottom, up into the frame, near the rear tie-down points (Figure 51).

Procedure

- 1. Read the manuals.
- 2. View the operator training material.
- 3. Use the nozzle selection guide to choose the correct nozzles for your specific application.
- 4. Store the documentation in a safe place.

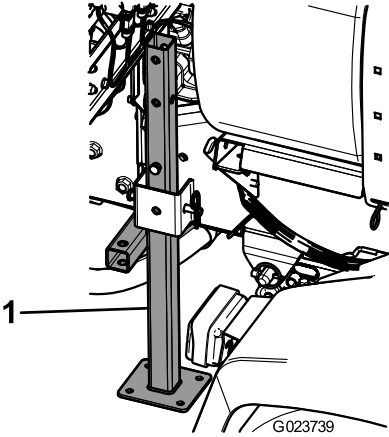


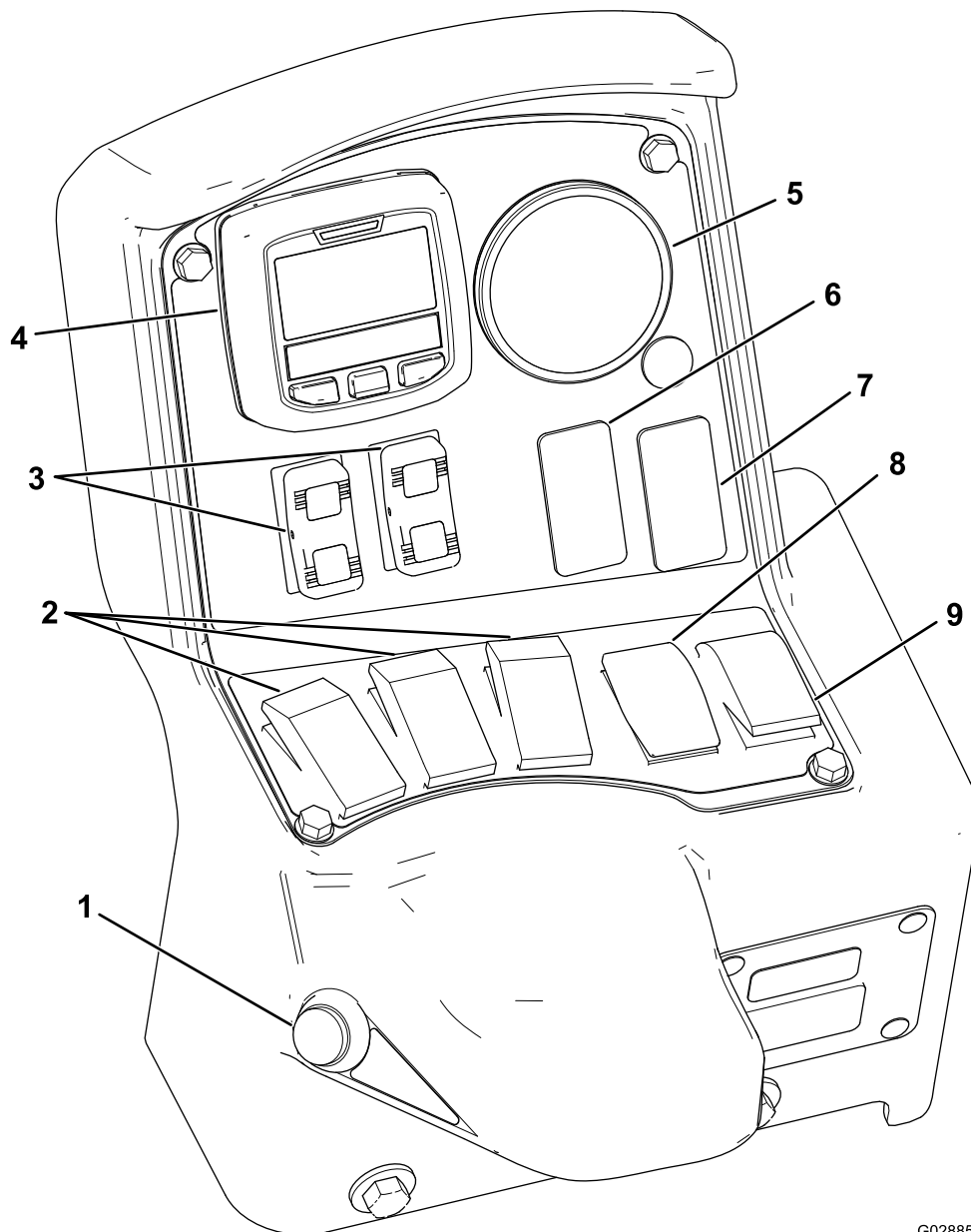
Figure 51

g023739

- 1. Rear jack stand

-
- 4. Secure the rear jack stands with 4 clevis pins (4-1/2 inch) and 4 cotter pins through the last hole on the stands.

Product Overview



G028854

g028854

Figure 52

- | | |
|---|---------------------------------|
| 1. Master-boom switch | 6. Rinse switch (optional) |
| 2. Boom-section switches (sprayer On/Off) | 7. Sonic-boom switch (optional) |
| 3. Boom lift switches | 8. Application-rate switch |
| 4. InfoCenter | 9. Agitation switch |
| 5. Pressure gauge | |

Controls

InfoCenter LCD Display

The InfoCenter LCD display shows information about your machine and battery pack such as the current battery charge, the speed, diagnostics information,

and more ([Figure 52](#)). For more information, refer to [Using the InfoCenter \(page 44\)](#).

Master-Boom Switch

The master-boom switch allows you to start or stop the all spray operation. Press the switch to run or stop the spray system (Figure 52).

Boom-Section Switches

The boom-section switches are located along the bottom of the control panel (Figure 52). Toggle each switch upward to turn the sprayers for the corresponding boom section on and downward to turn the sprayers off. When the boom-section switch is set to the ON position, the light on the switch illuminates. These switches only affect the spray system when the master-boom switch is in the ON position.

Application-Rate Switch

The application-rate switch is located on the left side of the control panel (Figure 52). Press and hold the switch upward to increase the spray system application rate, or press and hold it downward to decrease application rate.

Boom-Lift Switches

The electric boom-lift switches raise and lower their respective booms (Figure 52). There is a left and right lift switch. Press and hold the switch upward to raise the respective boom, or press and hold the switch downward to lower the respective boom.

Sprayer-Mode Switch (HDX-Auto Model)

Use the sprayer-mode switch to select between the following spraying methods:

- Use the manual mode when you want to manually control the sprayer application rate.
- Use the automatic mode when you want the computer to control sprayer application rate with setting you enter in the InfoCenter.

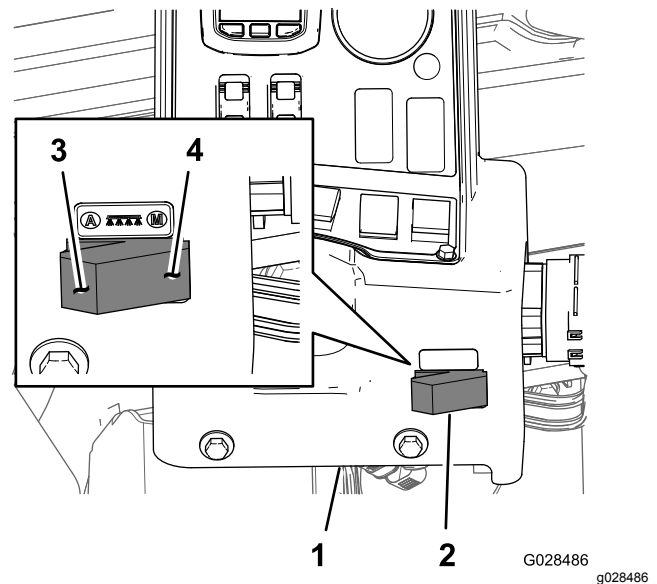


Figure 53

1. InfoCenter console
2. Sprayer-mode switch
3. Automatic mode (sprayer-mode switch position)
4. Manual mode (sprayer-mode switch position)

Regulating (Rate Control) Valve

The regulating valve located behind the tank (Figure 54), The regulating valve controls the amount of fluid that is routed to the booms or the rate return to the tank.

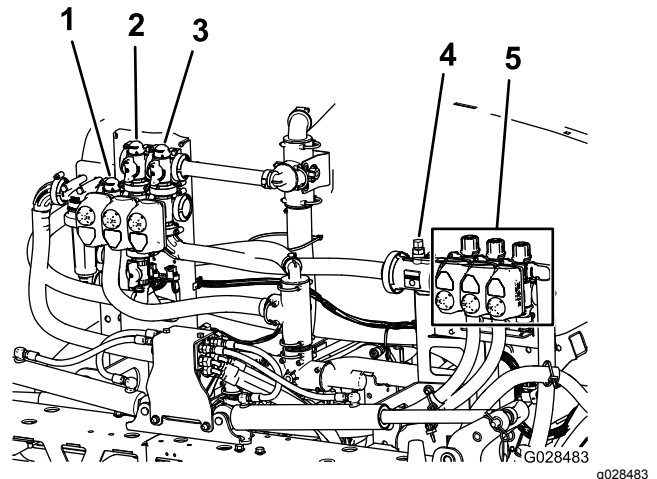


Figure 54

1. Regulating (rate control) valve
2. Agitation valve
3. Master-boom valve
4. Flow meter
5. Boom section valves

Flow meter

The flow meter measures the flow rate of the fluid to the boom section valves (Figure 54).

Boom-Section Valves

Use the boom-section valves to turn the sprayer pressure on or off to the sprayer nozzles in the left, center, and right boom sections (Figure 54).

Boom Section-Bypass Valves

The boom section-bypass valves (Figure 55) redirect the fluid flow from a boom to the tank when you turn off the boom section. You can adjust these valves to ensure that the boom pressure remains constant no matter which combination of booms you are operating; refer to [Calibrating the Boom Bypass](#) (page 62).

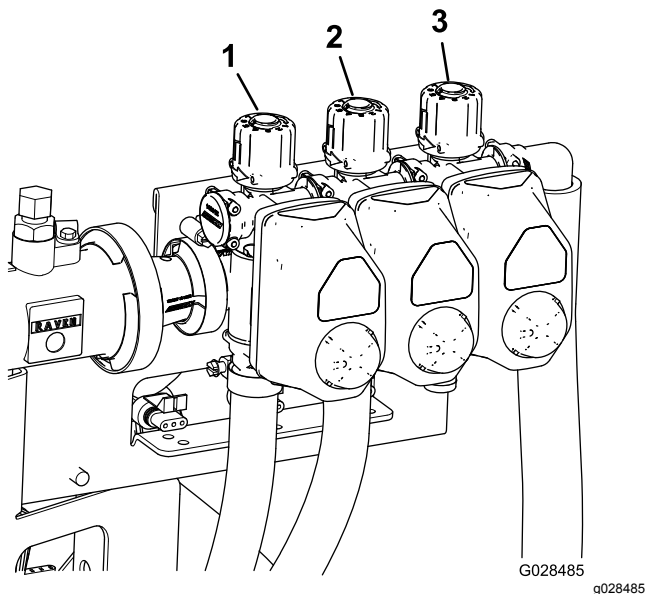


Figure 55

1. Left boom section-bypass valve
2. Center boom section-bypass valve
3. Right boom section-bypass valve

Agitation-Throttle Valve

This valve is located on the rear left side of the tank (Figure 56). Turn the knob on the valve to the 6 o'clock position to turn on the tank agitation and to the 8 o'clock position to turn off the tank agitation.

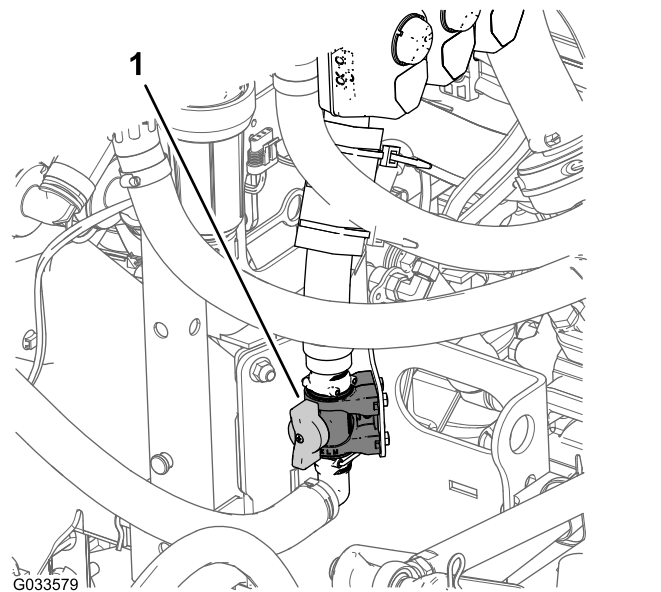


Figure 56

1. Agitation-control valve

Note: HD-series models with a manual transmission—for agitation to work the PTO and clutch must be engaged and the engine must be running above an idle. If you stop the sprayer and need agitation circulating the content of the tank, place the range shift lever in the NEUTRAL position, let out the clutch, engage the parking brake, and set the hand throttle (if equipped).

Sprayer Pump

The sprayer pump is located at the rear of the machine (Figure 57).

Control the sprayer pump by performing the following:

- For the **HD-series model with a manual transmission**—At the center console of the machine, move the PTO lever to the ENGAGE position to run the pump; move the PTO lever to the DISENGAGE position to stop the pump. Refer to the *Workman HDX-Auto Utility Vehicle Operator's Manual*.
- For the **HDX-Auto model**—At the dash panel to the left of the steering-wheel column, press the rocker switch for the high-flow hydraulic system up to the ON position to run the sprayer pump (the light of the rocker switch illuminates). Press the rocker switch down to the OFF position shut off the sprayer pump. Refer to the *High-Flow Hydraulic Kit Installation Instructions* (the light of the rocker switch shuts off).

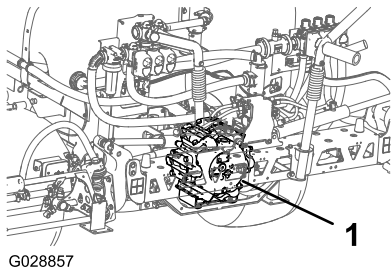


Figure 57

1. Sprayer pump

Specifications

Note: Specifications and design are subject to change without notice.

| | |
|--|------------------------|
| Spray system base weight (vehicle weight not included) | 424 kg (935 lb) |
| Tank capacity | 757 L (200 US gallons) |
| Overall vehicle length with the standard spray system | 422 cm (166 inches) |
| Overall vehicle height with standard spray system to the top of the tank | 147 cm (58 inches) |
| Overall vehicle height with standard spray system and the booms stored in the X pattern | 234 cm (92 inches) |
| Overall vehicle width with the standard spray system and the booms stored in the X pattern | 175 cm (69 inches) |

Operation

Note: Determine the left and right sides of the machine from the normal operating position.

Note: If you need to transport the vehicle on a trailer with the sprayer installed, make sure that the booms are tied down and secure.

Think Safety First

Please carefully read all of the safety instructions and decals in the safety section. Knowing this information could help you or bystanders avoid injury.

Using the InfoCenter

The InfoCenter LCD display shows information about your machine, such as the operating status, various diagnostics, and other information about the machine (Figure 58). There is a splash screen and main information screen on the InfoCenter. You can switch between the splash screen and main information screen, at any time, by pressing any of the InfoCenter buttons and then selecting the appropriate directional arrow.

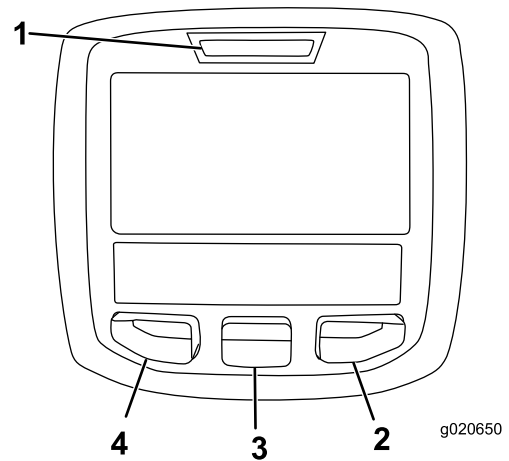


Figure 58

1. Indicator light
2. Right button
3. Middle button
4. Left button

- Left button, Menu access/Back button—press this button to access the InfoCenter menus. You can also use it to back out of any menu you are currently using.
- Middle button—use this button to scroll down menus.
- Right button—use this button to open a menu where a right arrow indicated additional content.

Note: The purpose of each button may change depending on what function is active at the time. The

LCD display shows an icon above each button that indicates its current function.

Starting the InfoCenter

1. Insert the key into the starter switch and rotate it to the ON position.

Note: The InfoCenter illuminates and displays the initialization screen (Figure 59).

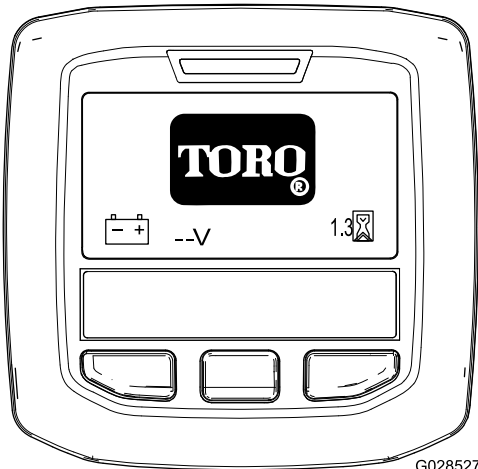


Figure 59

G028527

g028527

2. After approximately 15 seconds, the home screen appears. Press the center selection button to display the information context (Figure 60).

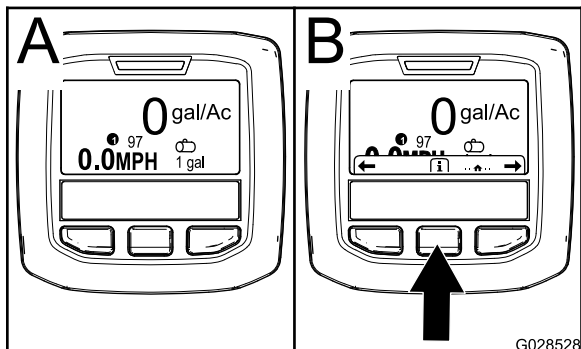


Figure 60

G028528

g028528

- Press the center selection button again to navigate to the Main Menu.
- Right selection button: **Total area sprayed** (Figure 61A)
- Right selection button: **Application rate** (Figure 61B)
- Left selection button: **Sub-area sprayed** (Figure 61C)
- Left selection button: **Tank volume** (Figure 61D)

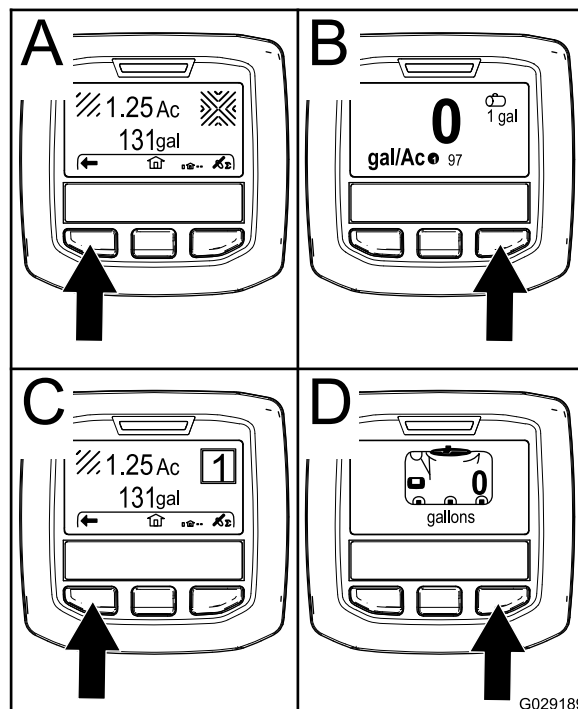


Figure 61

G029189

g029189

Note: Rotating the starter switch to the START position and starting the engine causes the values indicated in the InfoCenter display to reflect the running machine.

Accessing the Settings Menu

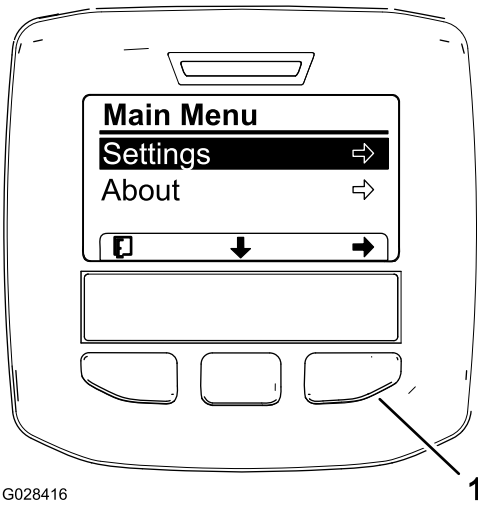
1. Start the InfoCenter; refer to [Starting the InfoCenter](#) (page 45).

Note: The Home screen displays.

2. Press the center selection button to access the Information context.

Note: The information context icon displays.

3. Press the center selection button to access the Main Menu (Figure 62).



G028416

g028416

Figure 62

Additional options for the HDX-Auto model is not shown.

1. Right selection button (select context)

4. Press the right selection button to display the Settings sub-menus.

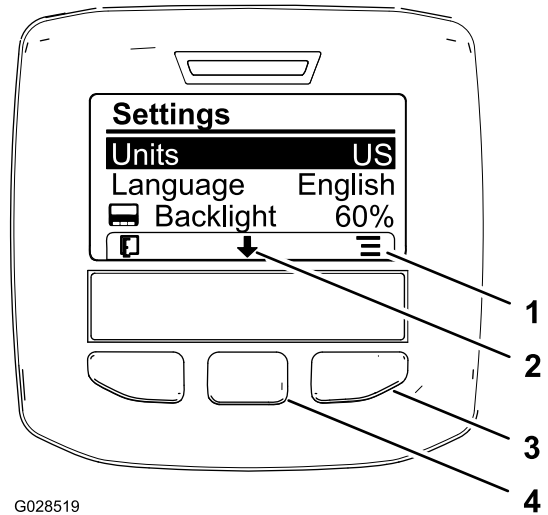
Note: The Main Menu displays with the Settings option selected.

Note: Pressing the center selection button (the button below the down arrow icon in the display) moves the selected option down.

Changing the Units of Measure (English and Metric)

1. Access the Settings menu; refer to [Accessing the Settings Menu \(page 45\)](#).
2. To change the unit of measure, press the right selection button to change the listed units of measure ([Figure 63](#)).
 - **English:** mph, gallons, and acre
 - **Turf:** mph, gallons, and 1,000 ft²
 - **SI (metric):** kph, liter, hectare

Note: The display switches between English, turf, and metric units.



G028519

g028519

Figure 63

1. List options (icon)
2. Scroll down (icon)
3. Right selection button (list context)
4. Center selection button (scroll context)

Note: Pressing the left selection button saves your selection, exits the Settings menu, and returns to the Main Menu.

3. To change the language used in the display, press the center selection button (the button below the down arrow in the display) to move the selected option to Language ([Figure 63](#)).
4. Press the right selection button (the button below the list icon in the display) to highlight the listed language used in the display ([Figure 63](#)).

Note: Available languages include: English, Spanish, French, German, Portuguese, Danish, Netherlands (Dutch), Finnish, Italian, Norwegian, and Swedish.

5. Press the left selection button to save your selection(s), exit the Settings menu, and return to the Main Menu ([Figure 62](#)).
6. Press the left selection button to return to the Home screen ([Figure 63](#)).

Adjusting the Backlighting and Contrast Levels of the Display

1. Access the Settings menu; refer to [Accessing the Settings Menu \(page 45\)](#).
2. To adjust the backlight level of the display, press the center selection button (the button below the down arrow icon in the display) to move the selected option down to the Backlight setting ([Figure 64](#)).

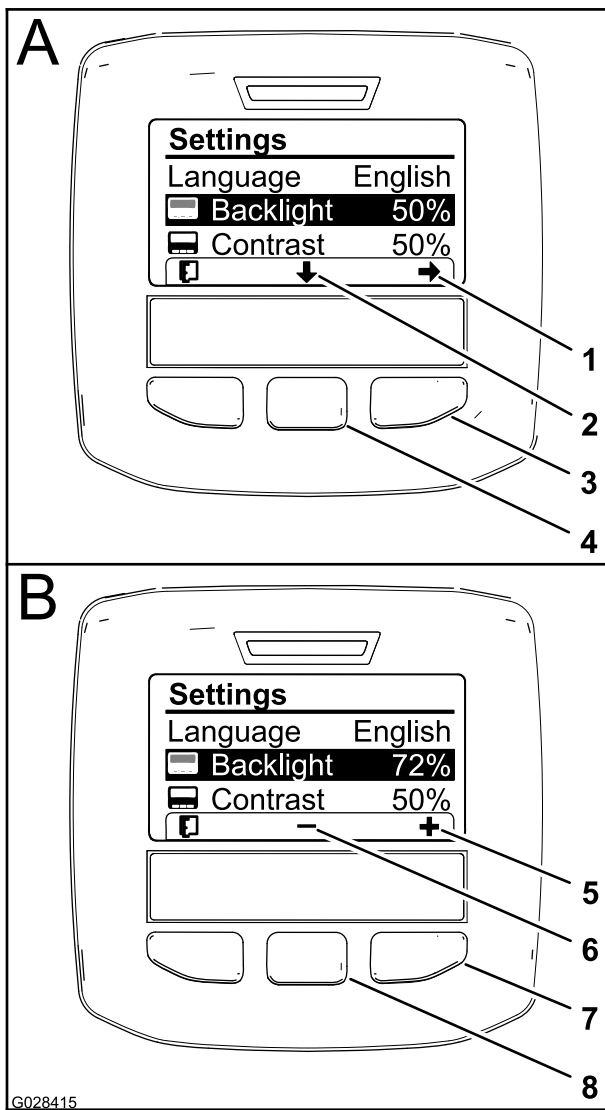


Figure 64

- | | |
|---|--|
| 1. Select arrow (icon) | 5. Increase the value (icon) |
| 2. Scroll down (icon) | 6. Decrease the value (icon) |
| 3. Right selection button (select context) | 7. Right selection button (raise value context) |
| 4. Center selection button (scroll context) | 8. Center selection button (lower value context) |

- Press the right selection button to display the value adjustment context (Figure 64).

Note: The display shows a (—) icon over the center selection button and a (+) icon over the right selection button.
- Use the center selection button and right selection button to change the brightness level of the display (Figure 64).

Note: As you change the brightness value, the display changes the selected brightness level.
- Press the left selection button (the button below the list icon in the display) to save your

- selection, exit the Backlight menu, and return to the Settings menu (Figure 64).
- To adjust the contrast level of the display, press the center selection button (the button below the down arrow icon in the display) to move the selected option down to the Contrast setting (Figure 64).
- Press the right selection button to display the value adjustment context (Figure 64).



















Note: The display shows a (—) icon over the center selection button and a (+) icon over the right selection button.
- Press the left selection button (the button below the list icon in the display) to save your selection, exit the Contrast menu, and return to the Settings menu (Figure 64).
- Press the left selection button to exit the Settings menu and return to the Main Menu (Figure 62 and Figure 64).
- Press the left selection button to return to the Home screen (Figure 64).

InfoCenter Icons





Icon Descriptions

| | |
|--|-----------------------------------|
| | Information icon |
| | Next |
| | Previous |
| | Scroll down |
| | Enter |
| | Change the next value in the list |
| | Increase |
| | Decrease |
| | Active screen |
| | Inactive screen |
| | Go to the home screen |
| | Active home screen |

Icon Descriptions (cont'd.)

| | |
|---|--|
|  | Save value |
|  | Exit menu |
|  | Hour meter |
| PIN | Correct PIN code entered |
|  | Check PIN entry/Calibration verification |
|  | Master boom On/Boom sprayer Off |
|  | Master boom On/Boom sprayer On |
|  | Full spray tank |
|  | Spray tank at half |
|  | Tank level low |
|  | Empty spray tank |
|  | TURF units (1,000 square feet) |
|  | Area sprayed |
|  | Volume sprayed |
|  | Adjust tank volume |
|  | Home screen |
|  | Clear active area |
|  | Clear all areas |
|  | Adjust digit |

Icon Descriptions (cont'd.)

| | |
|---|---------------------------------------|
|  | Select the next area for accumulation |
|  | Application rate 1 |
|  | Application rate 2 |
|  | Boost rate |

Using the Menus

Access the calibration settings in the InfoCenter menu system by pressing the menu access button while at the main screen. This returns you to the main menu. Refer to the following tables for a summary of the options available from the menus:

| Calibration | |
|-------------------|--|
| Menu Item | Description |
| Test Speed | This menu sets the test speed for calibration. |
| Flow Calibration | This menu calibrates the flow meter. |
| Speed Calibration | This menu calibrates the speed sensor. |

Selecting the Sprayer Programming

HDX-Auto Model

Switching between Manual Mode and Automatic Mode

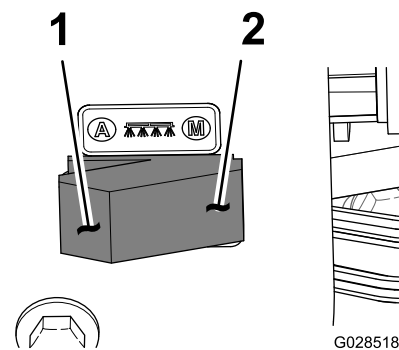


Figure 65

1. Automatic mode (switch position)
2. Manual mode (switch position)

- At the control console, press the sprayer-mode switch to the left position to control the application

rate of the sprayer through the InfoCenter in the AUTOMATIC MODE.

Note: An icon for the application rate appears in the display of the InfoCenter.

- Press the sprayer-mode switch to the right to control the application rate of the sprayer by hand in the MANUAL MODE.

Note: When switching from the Automatic mode to the Manual mode, the icon for the application rate disappears from the display.

Switching between Sprayer Programming Settings

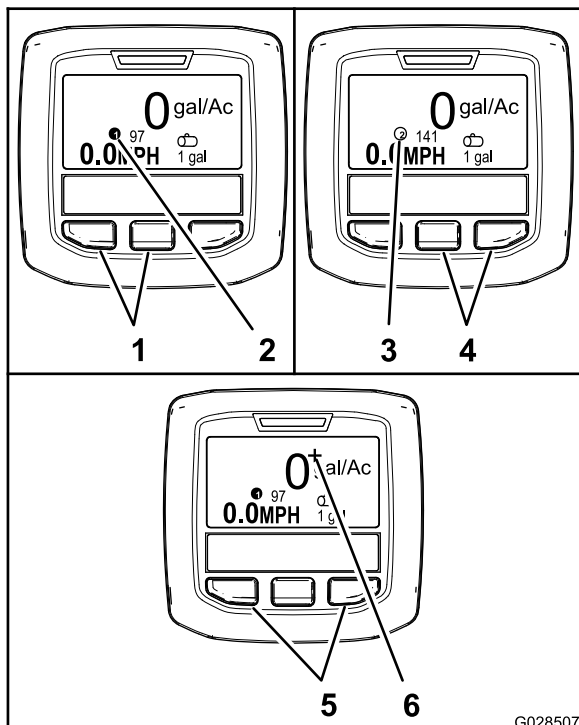


Figure 66

- | | |
|---|--|
| 1. Left and center buttons—selecting application rate 1 | 4. Center and right buttons—selecting application rate 2 |
| 2. Icon—application rate 1 | 5. Left and right buttons—selecting application rate boost |
| 3. Icon —application rate 2 | 6. Icon —application rate boost |

- To select application rate 1, press the left 2 buttons of the InfoCenter (Figure 66).

Note: An icon ① appears.

- To select application rate 2 (application rate), press the right 2 buttons (Figure 66).

Note: An icon ② appears.

- To temporarily apply a boost application rate, press and hold the 2 outer buttons (Figure 66).

Note: An icon + appears.

Note: The application rate boost is an additional percent above the active program (1 or 2) application rate. Press and hold the buttons to apply the boost application rate; release the buttons to stop the boost rate.

Programming the Application Rate and Application Rate Boost

HDX-Auto Model

Programming the Application Rate 1 and 2

1. From the Home screen, press the center selection button to navigate to the Main Menu.
2. If needed, press the center selection button to highlight the application rate for sprayer program 1 (Figure 67).

Note: The icon for sprayer application rate 1 looks like the numeral 1 in a circle to the right of a bull's-eye target.

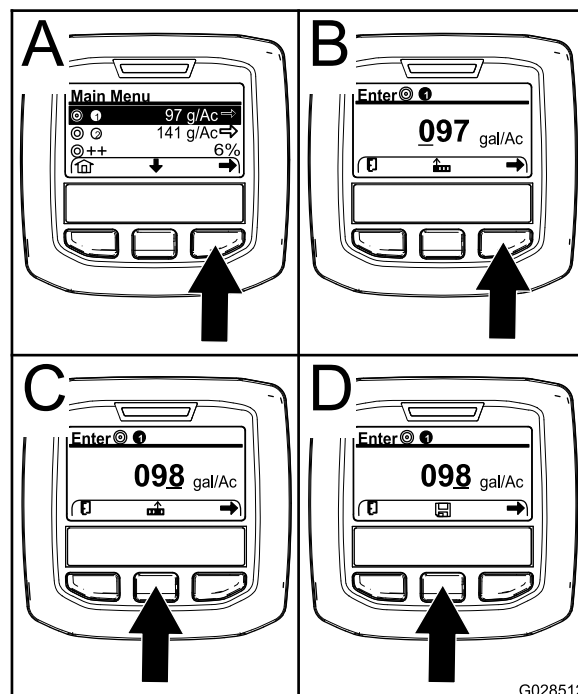


Figure 67

3. Press the right selection button to select sprayer program 1 (Figure 67A).

4. Set the numerical value by pressing the following selection buttons:

- Press the right selection button (Figure 67B) to move the cursor to the next numerical position to the right.
- Press the center selection button (Figure 67C) to increase the numerical value (0 to 9)

- Once the right-most value is set, press the right selection button.

Note: The Save Icon appears above the center selection button (Figure 67D).

- Press the center selection button (Figure 67D) to save the programming for application rate.
- Press the center selection button to highlight the application rate for sprayer program 2.

Note: The icon for sprayer application rate 2 looks like the numeral 2 in a circle to the right of a bull's-eye target.

Note: You can use the application rate for sprayer program 2 to conveniently apply a higher or lower application rate to your turf site as needed.

- Repeat steps 4 through 6.

Programming the Application Boost Rate

The application boost adds a specified percent to the active program application rate when the outer 2 buttons of the InfoCenter are pressed while spraying in Automatic mode.

- From the Home screen, press the center selection button to navigate to the Main Menu.
- If needed, press the center selection button to highlight the application rate boost (Figure 68).

Note: The icon for the application rate boost look 2 (+) signs to the right of a bull's-eye target (Figure 68).

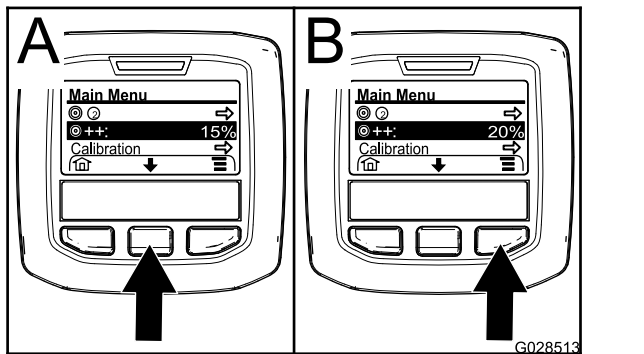


Figure 68

- Press the right selection button (Figure 68) to increase the boost percentage in 5% increments (20% maximum).

Using the Settings Menu

HDX-Auto Model

Selecting the Active Application Rate from the Settings Menu

- From the Main Menu, press the center selection button to navigate to the Settings menu.
- Press the center selection button to highlight the Active application rate setting (Figure 69).

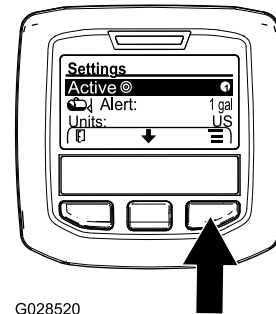


Figure 69

- Press the right selection button to toggle between application rate 1 and 2 (Figure 69).
- Press the left selection button to save and return to the main menu

Setting the Tank-Level Alert

- From the Main Menu, press the center selection button to navigate to the Settings menu.
- Press the center selection button to highlight the Alert setting (Figure 70).

Note: The (-) and (+) icons appears above the center and right selection buttons.

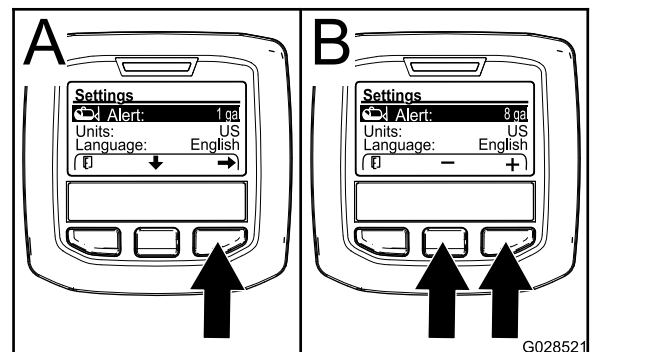


Figure 70

- Press the right selection button (Figure 70).
- Use the center or right selection buttons to enter the minimum quantity in the tank when the alert displays during sprayer operation (Figure 70).

Note: Holding the button down increases the value of the tank alert by 10%.

5. Press the left selection button to save and return to the main menu

Entering the PIN into the InfoCenter

Note: Entering the PIN allows you to change the access protected settings and maintain the password.

Note: The factory entered PIN number is 1234.

1. From the Main Menu, press the center selection button to navigate to the Settings menu.
2. Press the center selection button to highlight the Protected Menu setting.

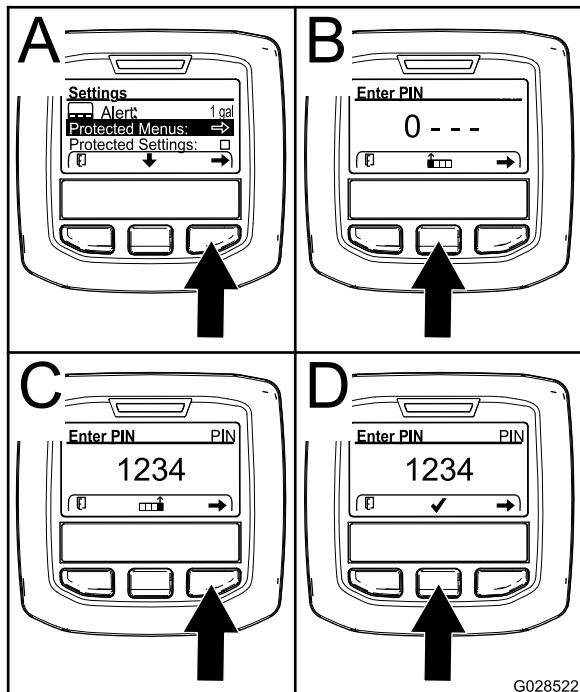


Figure 71

G028522

3. Press the right select button to select Protected Menu (Figure 71A).
4. Set the numerical value in the PIN entry screen by pressing the following selection buttons:
 - Press the center selection button (Figure 71B) to increase the numerical value (0 to 9)
 - Press the right selection button (Figure 71C) to move the cursor to the next numerical position to the right.
5. Once the right-most value is set, press the right selection button.

Note: The check mark icon appears above the center selection button (Figure 71D).

6. Press the center selection button (Figure 71D) to enter the password.

Changing the PIN

1. Enter the current PIN; refer to steps 1 through 6 in [Entering the PIN into the InfoCenter \(page 51\)](#).
2. From the Main Menu, press the center selection button to navigate to the Settings menu.
3. Press the center selection button to highlight the Protected Menu setting.

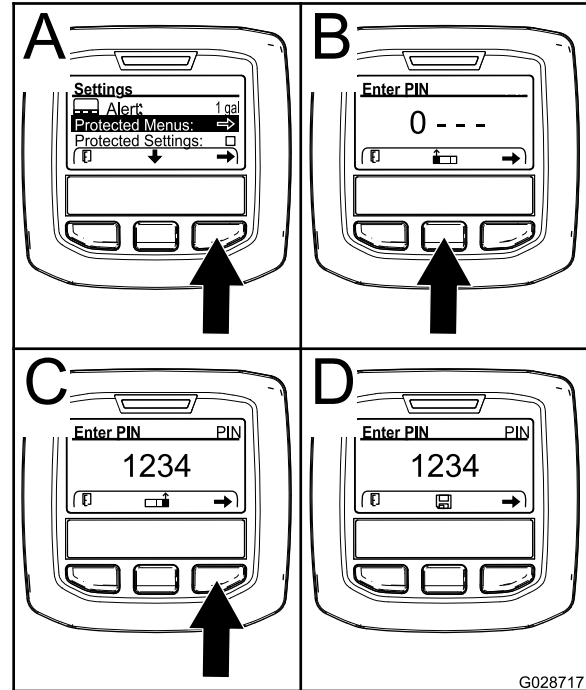


Figure 72

G028717

4. Press the right select button to select Protected Menu (Figure 72A).
5. Enter the new PIN into the entry screen by pressing the following selection buttons:
 - Press the center selection button (Figure 72A) to increase the numerical value (0 to 9)
 - Press the right selection button (Figure 72C) to move the cursor to the next numerical position to the right.
6. Once the right-most value is set, press the right selection button.

Note: The Save icon appears above the center selection button (Figure 72D).

7. Wait until the InfoCenter displays the “value saved message” and the red indicator light illuminates.

Setting the Protect Settings

Important: Use this function to lock and unlock the application rate.

Note: You must know the 4-digit PIN number to change settings for functions in the protected menus.

1. From the Main Menu, press the center selection button to navigate to the Settings menu.
2. Press the center selection button to highlight the Protect Settings entry.

Note: If there is no X in the box to the right of Protect Settings entry, the sub-menus for L Boom, C Boom, R Boom, and Reset Defaults are not locked with the PIN (Figure 74).

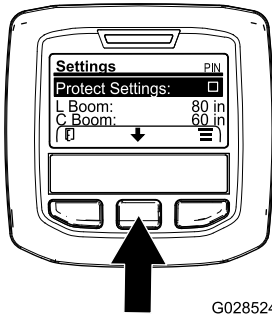
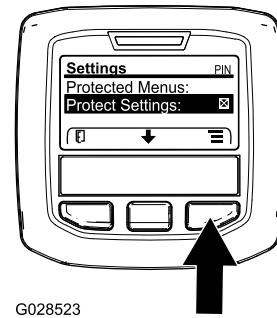


Figure 73

G028524

g028524



G028523

Figure 74

g028523

9. Wait until the InfoCenter displays the “value saved message” and the red indicator light illuminates.

Note: The sub-menus below the Protected Menu entry are locked with the PIN.

Note: To access the sub-menus, highlight the Protect Settings entry, press the right selection button, enter the PIN, and when the Check Mark icon appears—press the center selection button.

Resetting the Boom Section Sizes to Default

1. Press the center selection button to navigate to the Reset Default entry (Figure 75).

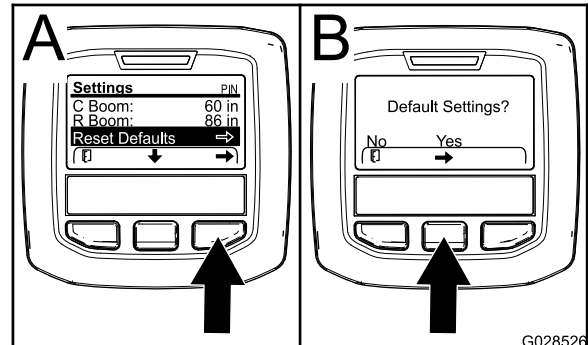


Figure 75

G028526

g028526

3. Press the right selection button.

Note: The PIN entry screen appears

4. Enter the PIN; refer to step 4 in [Entering the PIN into the InfoCenter](#) (page 51).
5. Once the right-most value is set, press the right selection button.

Note: The Check Mark icon appears above the center selection button.

6. Press the center selection button.

Note: The sub-menus for L Boom, C Boom, R Boom, and Reset Defaults appears.

7. Press the center selection button to highlight the Protect Settings entry
8. Press the right selection button.

Note: An X appears in the box to the right of Protect Settings entry (Figure 74).

2. Press the right selection button to select Reset Default.

3. In the Default Settings screen, press the left selection button for NO or the right selection button for YES (Figure 75).

Note: Selecting YES restores the boom-section sizes to the factory setting.

InfoCenter Advisories

Operator advisories automatically display on the InfoCenter screen when a machine function requires additional action. For example, if you attempt to start the engine while pressing the traction pedal, an advisory displays, indicating that the traction pedal must be in the NEUTRAL position.

For each advisory that occurs, the fault indicator flashes, and an advisory code (number), an advisory description, and an advisory qualifier appears on the screen as shown in [Figure 76](#).

Advisory descriptions and qualifiers appear as InfoCenter icons. Refer to [InfoCenter Icons \(page 47\)](#) for a description of each icon.

Note: An advisory qualifier explains the conditions that triggered the advisory and provides instructions on eliminating the advisory.

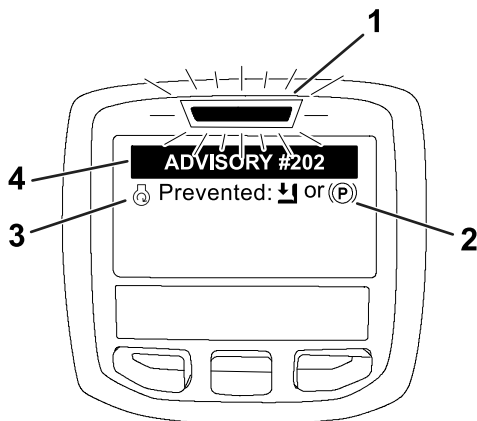


Figure 76

g202867

- | | |
|-----------------------|-------------------------|
| 1. Fault indicator | 3. Advisory description |
| 2. Advisory qualifier | 4. Advisory code |

Note: Advisories do not log into the fault log.

Note: You can clear an advisory from the display screen by pressing any of the InfoCenter keys.

Refer to the table that follows for the InfoCenter advisories:

Advisories

| Advisory Code | Description |
|---------------|--|
| 200 | Start prevented—pump switch active |
| 201 | Start prevented—not in NEUTRAL |
| 202 | Start prevented—out of seat |
| 203 | Start prevented—throttle pedal is not home |
| 204 | Start prevented—starter engage timeout |
| 205 | Parking brake is engaged |
| 206 | Pump start prevented—boom active |

Advisories (cont'd.)

| Advisory Code | Description |
|---------------|--|
| 207 | Pump start prevented—engine speed high |
| 208 | Throttle/speed lock prevented—pump is not active |
| 209 | Throttle lock prevented—parking brake is not engaged |
| 210 | Speed lock prevented—operator not in seat or parking brake is engaged |
| 211 | Throttle/speed lock prevented—clutch or service brake is engaged |
| 212 | Tank low volume alert |
| 213 | Rinse pump ON |
| 220 | Flow sensor calibration |
| 221 | Flow sensor calibration—fill water in tank and enter volume filled |
| 222 | Flow sensor calibration—turn on the pump |
| 223 | Flow sensor calibration—turn on all of the booms |
| 224 | Flow sensor calibration—calibration commenced |
| 225 | Flow sensor calibration—calibration complete |
| 226 | Flow sensor calibration—exiting calibration mode |
| 231 | Speed sensor calibration |
| 232 | Speed sensor calibration—fill the fresh water tank, press next |
| 233 | Speed sensor calibration—fill the sprayer half full with water, press next |
| 234 | Speed sensor calibration—enter the calibration distance, press next |
| 235 | Speed sensor calibration—mark and drive the entered distance with sprayer sections off |
| 236 | Speed sensor calibration—speed sensor calibration in progress |
| 237 | Speed sensor calibration—speed sensor calibration complete |
| 238 | Speed sensor calibration—turn off the booms |
| 241 | Calibration out of bounds, using default |

Preparing to Use the Sprayer

Cleaning the Suction Filter

Service Interval: Before each use or daily—Clean the suction filter. Clean the suction filter (more often when using wettable powders).

1. Park the machine on a level surface, engage the parking brake, shut off the pump, shut off the engine, and remove the key.
2. At the top of the sprayer tank, remove the retainer that secures the hose fitting attached to the large hose from the filter housing (Figure 77).

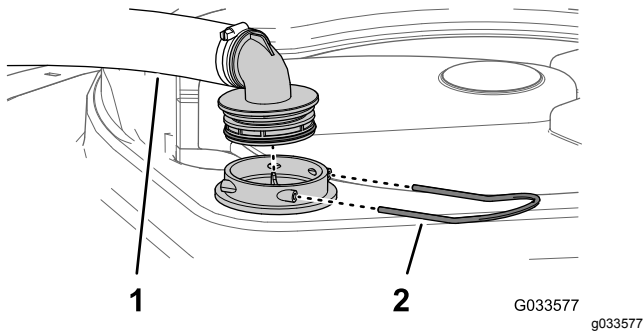


Figure 77

1. Suction hose
2. Retainer

3. Remove the hose and hose fitting from the filter housing (Figure 77).
4. Pull the suction strainer out of the filter housing in the tank (Figure 78).

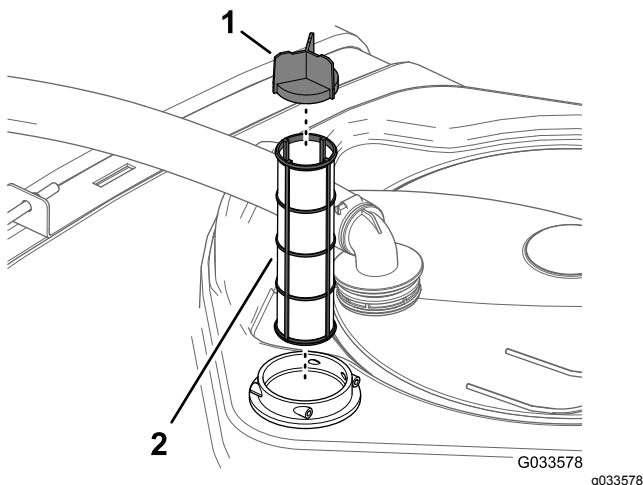


Figure 78

1. Screen vane
2. Suction strainer

5. Clean the suction filter with clean water.

Important: Replace the filter if it is damaged or cannot be cleaned.

6. Insert the suction filter into the filter housing until the filter is fully seated.
7. Align the hose and hose fitting to the filter housing at the top of the tank, and secure fitting and housing with the retainer that you removed in step 2.

Cleaning the Pressure Filter

Service Interval: Before each use or daily—Clean the pressure filter. Clean the pressure filter (more often when using wettable powders).

1. Park the machine on a level surface, engage the parking brake, shut off the sprayer pump, shut off the engine, and remove the key.
2. Align a drain pan under the pressure filter (Figure 79).

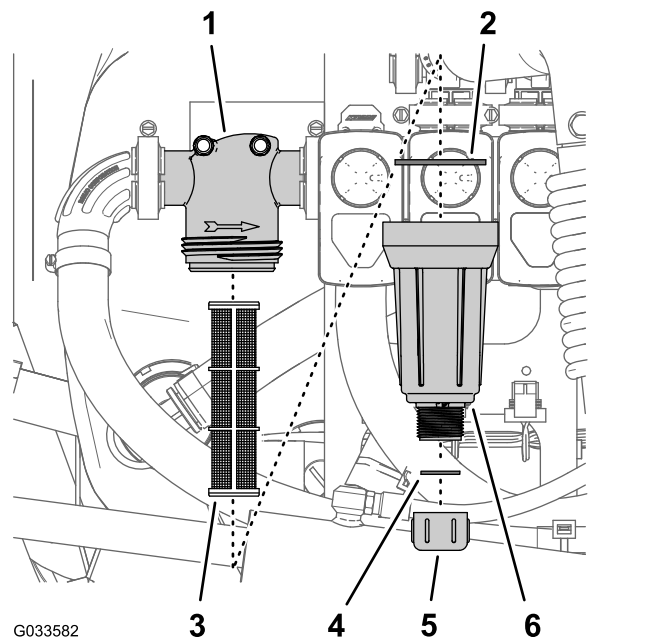


Figure 79

1. Filter head
2. Gasket (bowl)
3. Filter element
4. Gasket (drain plug)
5. Drain cap
6. Bowl

3. Rotate the drain cap counterclockwise and remove it from the bowl of the pressure filter (Figure 79).

Note: Allow the bowl to drain completely.

4. Rotate the bowl counterclockwise and remove the filter head (Figure 79).
5. Remove the pressure filter element (Figure 79).
6. Clean the pressure filter element with clean water.

Important: Replace the filter if it is damaged or cannot be cleaned.

7. Check the gasket for the drain plug (located inside the bowl) and the gasket for bowl (located inside the filter head) for damage and wear (Figure 79).

Important: Replace any damaged or worn gaskets for the plug, bowl, or both.

8. Install the pressure filter element into the filter head (Figure 79).

Note: Ensure that the filter element is firmly seated into the filter head.

9. Install the bowl onto the filter head, and tighten by hand (Figure 79).
10. Assemble the drain cap onto the fitting at the bottom of the bowl, and tighten the cap by hand (Figure 79).

Cleaning the Nozzle Filter

1. Park the machine on a level surface, engage the parking brake, shut off the sprayer pump, shut off the engine, and remove the key.
2. Remove the nozzle from the spray turret (Figure 80).

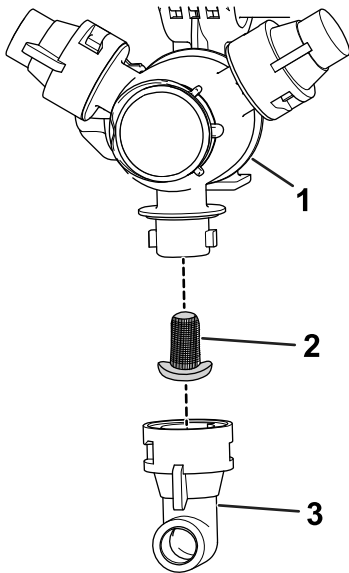


Figure 80

g209504

1. Spray turret
2. Nozzle filter
3. Nozzle

3. Remove the nozzle filter (Figure 80).
4. Clean the nozzle filter with clean water.

Important: Replace the filter if it is damaged or cannot be cleaned.

5. Install the nozzle filter (Figure 80).

Note: Ensure that the filter is fully seated.

6. Install the nozzle onto the spray turret (Figure 80).

Inspecting the Tank Straps

Service Interval: Before each use or daily—Check the tank straps.

Important: Overtightening the tank strap fasteners can result in deforming and damaging the tank and straps.

1. Fill the main tank with water.
2. Check to see if there is any movement between the tank straps and the tank (Figure 81).

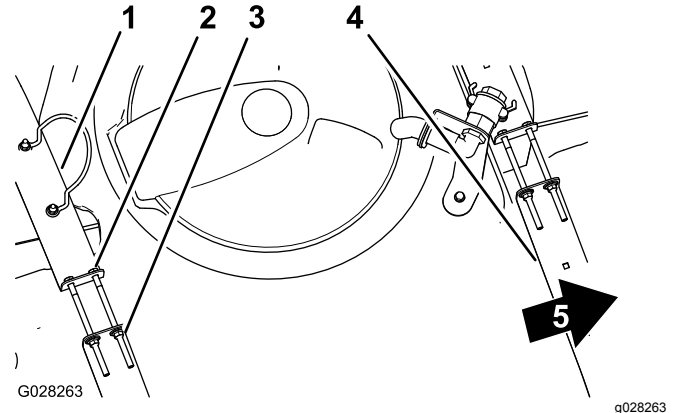


Figure 81

1. Rear tank strap
2. Bolt
3. Flanged locknut
4. Forward tank strap
5. Front of the machine

3. If the tank straps fit loose to the tank, tighten the flanged locknuts and bolts at the top of straps until the straps are flush with the surface of the tank (Figure 81).

Note: Do not overtighten the tank strap hardware.

Operating the Sprayer

To operate the Multi Pro WM, first fill the spray tank, then apply the solution to the work area, and finally clean the tank. It is important that you complete all 3 of these steps in succession to avoid damaging the sprayer. For example, do not mix and add chemicals in the spray tank at night and then spray in the morning. This would cause the chemicals to separate and possibly damage the sprayer components.

Important: The tank markings are for reference only and cannot be considered accurate for calibration.

⚠ CAUTION

Chemicals are hazardous and can cause personal injury.

- Read the directions on the chemical labels before handling the chemicals, and follow all manufacturer recommendations and precautions.
- Keep chemicals away from your skin. Should contact occur, wash the affected area thoroughly with soap and clean water.
- Wear goggles and any other protective equipment recommended by the chemical manufacturer.

The Multi Pro WM has been specifically designed to have high durability in order to give it the long sprayer life you need. Different materials have been chosen for specific reasons at different locations on your sprayer to meet this goal. Unfortunately, there is no single material which is perfect for all foreseeable applications.

Some chemicals are more aggressive than others and each chemical interacts differently with various materials. Some consistencies (e.g., wettable powders, charcoal) are more abrasive and lead to higher wear rates. If a chemical is available in a formulation that would provide increased life to the sprayer, use this alternative formulation.

As always, remember to clean your machine and spray system thoroughly after all applications. This ensures that your sprayer has a long and trouble-free life.

Filling the Freshwater Tank

Always fill the freshwater tank with clean water before handling or mixing any chemicals.

The freshwater tank is located on the ROPS, behind the passenger seat (Figure 82). It supplies a source of fresh water for you to wash chemicals off of your skin, eyes, or other surfaces in case of accidental exposure.

- To fill the tank, unscrew the cap on the top of the tank and fill the tank with fresh water. Replace the cap.
- To open the freshwater tank spigot, turn the lever on the spigot.

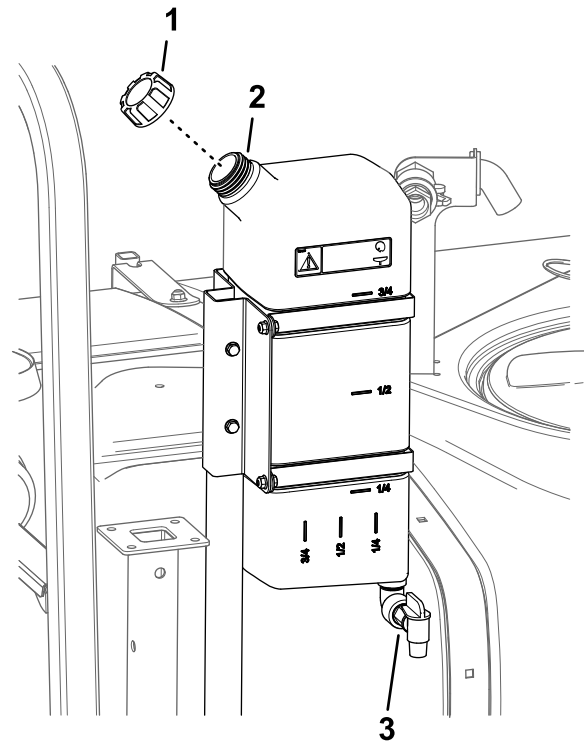


Figure 82

g210327

1. Filler cap
2. Freshwater tank
3. Spigot

Filling the Spray Tank

Install the Chemical Pre-Mix Kit for optimal mixing and exterior tank cleanliness.

Important: Ensure that the chemicals you use are compatible for use with Viton™ (see the manufacturer's label; it should indicate if it is not compatible). Using a chemical that is not compatible with Viton™ degrades the O-rings in the sprayer, causing leaks.

Important: After filling the tank for the first time, check the tank straps for any play. Tighten them as necessary.

1. Park the machine on a level surface, move the range selector to the neutral position, engage the parking brake, shut off the engine, and remove the key.
2. Determine the amount of water needed to mix the amount of chemical you need as prescribed by the chemical manufacturer.
3. Open the tank cover on the spray tank.

Note: The tank lid is located in the center of the top of the tank. To open it, turn the front half of the cover counterclockwise and swing it open. You can remove the strainer inside for cleaning.

To seal the tank, close the cover and rotate the front half clockwise.

4. Add 3/4 of the required water to the spray tank using the anti-siphon fill receptacle.

Important: Always use fresh clean water in the spray tank. Do not pour concentrate into an empty tank.

5. Start the engine, engage the PTO, and set the hand throttle if equipped.
6. Turn the agitation switch ON position.
7. Add the proper amount of chemical concentrate to the tank, as directed by the chemical manufacturer.

Important: If you are using a wettable powder, mix the powder with a small amount of water to form a slurry before adding it to the tank

8. Add the remaining water to the tank.

Note: For better agitation, decrease the application rate setting.

Operating the Booms

The boom-lift switches on the sprayer control panel allow you to move the booms between the transport position and the spray position without leaving the operator's seat. Change boom positions while the machine is stationary.

Setting the Hydraulic Lift Lock

Engage the hydraulic lift lever and lock it to provide hydraulic power for control of the boom lift.

1. Push forward the hydraulic-lift lever (Figure 83 or Figure 84).

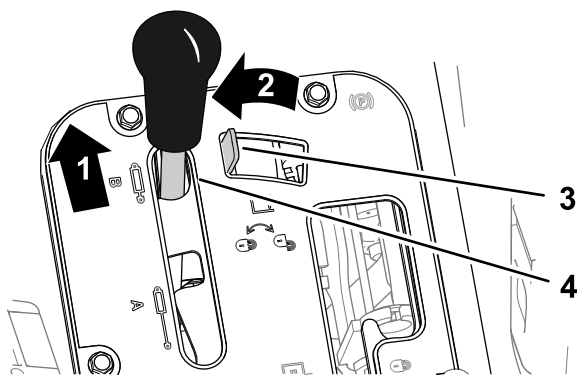


Figure 83

Manual Transmission Workman Vehicles

1. Push forward
2. Move left
3. Hydraulic-lift lock
4. Hydraulic-lift lever

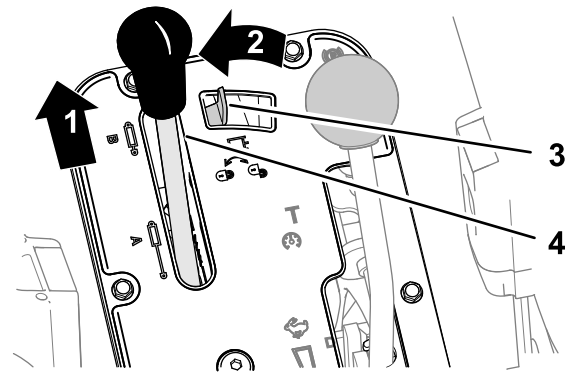


Figure 84

Automatic Transmission Workman Vehicles

1. Push forward
2. Move left
3. Hydraulic-lift lock
4. Hydraulic-lift lever

2. Move the hydraulic-lift lock left to engage the lock (Figure 83 or Figure 84).

Changing the Boom Position

Perform the following steps to move the booms to the spray position:

1. Park the machine on a level surface.
2. Use the boom-lift switches to lower the booms.

Note: Wait until the booms reach the full, extended spray position.

Complete the sprayer job, then perform the following steps to retract the booms into the transport position:

1. Park the machine on a level surface.
2. Use the boom-lift switches to raise the booms, until they have moved completely into boom transport cradle forming the "X" transport position and the boom cylinders are fully retracted.

Important: To prevent damage to the boom actuator cylinder, make sure that the actuators are fully retracted before transporting the machine.

Using the Boom Transport Cradle

The sprayer is equipped with a boom transport cradle that has a unique safety feature. In the event of accidental boom contact with a low overhead object while in the transport position, you can push the boom(s) out of the transport cradles. If this occurs, the booms come to rest in a near horizontal position to the rear of the vehicle. While this movement will not damage the booms, they should be immediately put back into the transport cradle.

Important: The booms can be damaged by transporting them in any position other than the

“X” transport position using the boom transport cradle.

To put the booms back into the transport cradle, lower the boom(s) to the spray position and then raise the boom(s) back into the transport position. Make sure that the boom cylinders are fully retracted to prevent damaging the actuator rod.

Spraying

Using the Sprayer

Important: In order to ensure that your solution remains well mixed, use the agitation feature whenever you have solution in the tank. For agitation to work, you must engage the PTO and the engine must be running above an idle. If you stop the vehicle and need the agitation on, place the shift lever in the NEUTRAL position, engage the parking brake, engage the PTO, engage the clutch, and set the hand throttle, if equipped.

Note: This procedure assumes that the PTO is engaged (HD-series models with a manual transmission) and the boom section valve calibration has been completed.

1. Lower the booms into position.
2. For the HDX-Auto model, set the sprayer-mode switch as following:
 - When using the sprayer in the MANUAL MODE press the switch to the right; refer to [Sprayer-Mode Switch \(HDX-Auto Model\) \(page 42\)](#).
 - When using the sprayer in the AUTOMATIC MODE press the switch to the left.
3. Set the master-boom switch to the OFF position.
4. Set the individual boom switches, as needed, to the ON positions.
5. Drive to the location where you plan to spray.
6. Navigate to the Application Rate screen on the InfoCenter and set the desired rate by performing the following steps:
 - A. Ensure that the switch for the pump is in the ON position.
 - B. For HD-series models with a manual transmission, select the desired gear range.
 - C. Begin driving at your target ground speed.
 - D. For HD-series models with a manual transmission or with a automatic transmission used in the manual mode, verify that the monitor displays the correct application rate. If needed, adjust the

application-rate switch until the monitor displays the desired application rate.

Note: For HD-series models with a automatic transmission that are operated in the automatic mode, the computer automatically adjusts the sprayer pressure to maintain the application rate.

- E. Return to the location where you are spraying.
7. Set the master-boom switch to the ON position and begin spraying.

Note: When the tank is nearly empty, the agitation may cause foaming in the tank. To prevent this, turn the agitation valve off. Alternatively, you can use an anti-foaming agent in the tank.
8. When finished spraying, set the master-boom switch to the OFF position to turn off all boom-segment switches, and disengage the PTO lever (HD-series models with a manual transmission).

Turf Care Precautions while Operating in Stationary Modes

Important: Under some conditions, heat from the engine, radiator, and muffler can potentially damage grass when operating the sprayer in a stationary mode. Stationary modes include tank agitation, hand spraying with a spray gun, or using a walking boom.

Use the following precautions:

- **Avoid** stationary spraying when conditions are very hot and/or dry, as turf can be more stressed during these periods.
- **Avoid** parking on the turf while stationary spraying. Park on a cart path whenever possible.
- **Minimize** the amount of time that you leave the machine running over any particular area of turf. The extent of damage to the grass depends on both time and temperature.
- **Set the engine speed as low as possible** to achieve the desired pressure and flow. This minimizes the heat generated and the air velocity from the cooling fan.
- **Allow the heat to escape** upward from the engine compartment by raising the seat assemblies during stationary operation rather than being forced out under the vehicle.

Spraying Tips

- Do not overlap areas where you have previously sprayed.
- Watch for plugged nozzles. Replace all worn or damaged nozzles.
- Use the master-boom switch to stop the spray flow before stopping the sprayer. Once stopped, use the neutral engine speed lock to hold the engine speed up to keep the agitation running.
- You obtain better results if the sprayer is moving when you turn the booms on.
- Watch for changes in the application rate that may indicate that your speed has changed beyond the range of the nozzles or there is a problem with the spray system.

HD-Series Models with a Automatic Transmission Operated in the Automatic Mode

Note: Refer to the nozzle selection guide that is available through your Authorized Toro Dealer.

- If you are operating the sprayer at a slow ground speed that causes the computer to maintain too low of a sprayer system pressure for the application rating of the selected nozzles, the chemical solution discharges from the nozzle incorrectly (running or dribbling). Select a sprayer nozzle with a lower application rate range.
- If you are operating the sprayer at a high ground speed that causes the computer to use full sprayer system pressure and the sprayer pressure is inadequate to achieve the desired application rate. To correct you application rate, slow your ground speed to achieve your application rate or select a sprayer nozzle with a higher application rate range.

Unclogging a Nozzle

If a nozzle becomes clogged while you are spraying, you can clean it using a hand spray bottle of water or a toothbrush.

1. Park the machine on a level surface, engage the parking brake, shut off the engine, and remove the key.
2. Set the master boom-switch to the OFF position and then run the sprayer pump; refer to [Sprayer Pump \(page 43\)](#).
3. Remove the clogged nozzle and clean it using a spray bottle of water or a toothbrush.

Selecting a Nozzle

Note: Refer to the nozzle selection guide that is available through your Authorized Toro Dealer.

The turret bodies can accept up to 3 different nozzles. To select the desired nozzle:

1. Park the machine on a level surface, engage the parking brake, shut off the engine, and remove the key.
2. Set the master-boom switch to the OFF position and run the sprayer pump; refer to [Sprayer Pump \(page 43\)](#).
3. Rotate the turret of the nozzles in either direction to the correct nozzle.

Cleaning the Sprayer

Important: You must always empty and clean the sprayer immediately after each use. Failure to do so may cause the chemicals to dry or thicken in the lines, clogging the pump and other components.

Use the approved rinse kit for this machine. Contact your Authorized Toro Dealer for more information.

Clean the spray system after **each** spraying session. To properly clean the spray system, do the following:

- Use 3 separate rinses.
 - Use the cleaners and neutralizers as recommended by the chemical manufacturers.
 - Use pure clean water (no cleaners or neutralizers) for the **last** rinse.
1. Park the machine on a level surface, engage the parking brake, shut off the engine, and remove the key.
 2. Locate the tank drain valve on the right side of the machine ([Figure 85](#)).

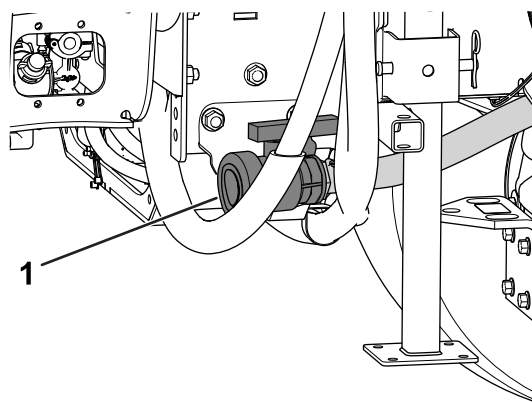


Figure 85

g208238

1. Tank-drain valve

3. Open the valve to drain all unused material from the tank ([Figure 86](#)).

Important: Dispose of all waste chemicals according to local codes and the material manufacturer's instructions.

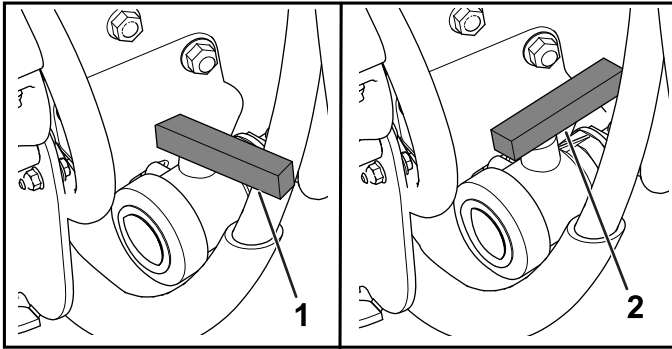


Figure 86

g208237

1. Valve closed

2. Valve open

4. Close the drain valve (Figure 86).
5. Fill the tank with at least 190 L (50 US gallons) of clean fresh water and close the cover.
Note: You can use a cleaning/neutralizing agent in the water as needed. On the final rinse, use only clean, clear water.
6. Lower the booms into the spray position.
7. Start the engine and move the throttle lever to a higher idle.
8. Ensure that the agitation switch is in the ON position.
9. Turn on the sprayer pump and use the application-rate switch to increase the pressure to a high setting.
10. Set the master-boom switch and boom-control switches to the ON positions to begin spraying.
11. Allow all of the water in the tank to spray out through the nozzles.
12. Check the nozzles to ensure that they are all spraying correctly.
13. Set the master-boom switch to the OFF position, shut off the sprayer pump, and shut off the engine.
14. Repeat steps 5 through 13 at least 2 more times to ensure that the spray system is fully cleaned.

Important: You must always complete this procedure at least 3 times to ensure that the spray system is fully clean, preventing damage to the system.

15. Clean the suction filter and pressure filter; refer to [Cleaning the Suction Filter \(page 54\)](#) and [Cleaning the Pressure Filter \(page 54\)](#).

Important: If you used wettable powder chemicals, clean the strainer after each tank.

16. Using a garden hose, rinse off the outside of the sprayer with clean water.
17. Remove the nozzles and clean them by hand. Replace damaged or worn nozzles.

Calibrating the Sprayer

Preparing the Machine for Calibration

Important: Before calibrating the sprayer system used on the HDX-Auto model, fill the sprayer tank as required with clean water and operate the machine while spraying at 2.75 bar (40 psi) or greater for a minimum of 30 minutes.

Note: Before using the sprayer for the first time, if you change the nozzles, or as needed, calibrate the sprayer flow, speed, and boom bypass.

1. Fill the spray tank with clean water.

Note: Ensure that there is enough water in the tank to complete each of the calibration procedures.

2. Lower the left and right boom sections.
3. For the **HDX-Auto model**—operate the machine while spraying at 2.75 bar (40 psi) or greater for a minimum of 30 minutes. Fill the sprayer tank with clean water when finished.
4. Set the protected settings to off; refer to [Setting the Protect Settings \(page 52\)](#).
5. For the **HDX-Auto model**—set the sprayer system to the Manual Mode; refer to [Switching between Manual Mode and Automatic Mode \(page 48\)](#).

Calibrating the Sprayer Flow

Operator supplied equipment: Stop watch capable of measuring to $\pm 1/10$ second and a container graduated in 50 ml (1 fl oz) increments.

Note: Calibrating the sprayer flow for machines without a throttle lock requires 2 people.

1. Set the transmission as follows:
 - For HD-Series Models with a **manual transmission**—shift the transmission to the NEUTRAL position.
 - For the **HDX-Auto model**—shift the transmission to P (park).
2. Engage the parking brake and start the engine.
3. Turn on the sprayer pump and turn on the agitation.

4. Press down on the accelerator pedal until the engine reaches maximum speed.
5. Set the engine speed as follows:
 - For machines **without** the optional throttle lock—have 1 person press down on the accelerator pedal until the engine reaches maximum speed.

Note: Have the other person collect samples from the sprayer nozzles.

- For machines **with** the optional throttle lock, press down on the accelerator pedal until the engine reaches maximum speed and set the throttle lock; refer to operation instructions for your Workman hand throttle kit.
6. Set all 3 boom switches and the master-boom switch to the ON position.
 7. Prepare to perform a catch test using the graduated container.
 8. Start at 2.75 bar (40 psi) and use the application-rate switch to adjust the spray pressure so a catch test yields the amounts listed in the table that follows.

Note: Collect 3 samples at 15 seconds each and average the quantities of water collected.

| Nozzle Color | Milliliters collected in 15 seconds | Ounces collected in 15 seconds |
|--------------|-------------------------------------|--------------------------------|
| Yellow | 189 | 6.4 |
| Red | 378 | 12.8 |
| Brown | 473 | 16.0 |
| Gray | 567 | 19.2 |
| White | 757 | 25.6 |
| Blue | 946 | 32.0 |
| Green | 1,419 | 48.0 |

9. Once the catch test has yielded the amounts listed in the table above, set the supervisor rate-lockout switch to the LOCK position.
10. Turn the master boom switch to the OFF position.
11. On the InfoCenter, navigate to the Calibration menu and select Flow Calibration as follows:

Note: Selecting the Home Screen icon at any time cancels calibrations.

- A. Press the center button of the info center twice to access the menus.
- B. Enter the calibration menu by pressing the right button on the info center.
- C. Select Flow Cal by highlighting Flow Cal and press the right button on the InfoCenter.
- D. In the next screen, enter the known quantity of water that should spray out of the booms

for the calibration procedure; refer to the chart below.

- E. Once the known quantity has been entered press the right button on the info center.
12. Using the plus (+) and minus (-) symbols, enter the flow volume according to the table that follows.

| Nozzle Color | Liters | US Gallons |
|--------------|--------|------------|
| Yellow | 42 | 11 |
| Red | 83 | 22 |
| Brown | 106 | 28 |
| Gray | 125 | 33 |
| White | 167 | 44 |
| Blue | 208 | 55 |
| Green | 314 | 83 |

13. Turn the master boom switch to the ON position for 5 minutes.

Note: As the machine sprays, the InfoCenter displays the quantity of fluid that it is counting.

14. After 5 minutes of spraying, click the check mark by pressing the center button on the InfoCenter.

Note: It is acceptable if the gallons displayed during the calibration process do not match the known quantity of water entered into the InfoCenter.

15. After 5 minutes, turn the master boom switch to the OFF position and select the check mark on the InfoCenter.

Note: Calibration is now complete.

Calibrating the Sprayer Speed

1. Ensure that the sprayer tank is filled with water.
2. On an open, flat area, mark off a distance between 45 to 152 m (150 to 500 ft).

Note: Mark off 152 m (500 ft) for more accurate results.

3. Start the engine and drive to the start of the marked-off distance.

Note: Align the center of the front tires with the starting line for the most accurate measurement.

4. On the InfoCenter, navigate to the Calibration menu and select Speed Calibration.

Note: Selecting the Home Screen icon at any time cancels the calibration.

5. Select the Next arrow (→) on the InfoCenter.

6. Using the plus (+) and minus (-) symbols, enter the marked-off distance into the InfoCenter.
7. Perform one of the following:
 - For HD-Series Models with a **manual transmission**—shift the machine into first gear and drive the marked distance in a straight line at full throttle.
 - For the **HDX-Auto model**,—shift the machine into D (drive) and drive the marked distance in a straight line at full throttle.
8. Stop the machine at the marked-off distance and select the check mark on the InfoCenter.

Note: Slow down and roll to a stop to align the center of the front tires with the finish line, for the most accurate measurement.

Note: Calibration is now complete.

Calibrating the Boom Bypass

Important: Select an open flat area to perform this procedure.

Note: Calibrating the boom bypass for **machines without a throttle lock** requires 2 people.

1. Ensure that the sprayer tank is filled with water.
2. Set the transmission as follows:
 - For HD-Series Models with a **manual transmission**—shift the transmission to the NEUTRAL position.
 - For the **HDX-Auto model**—shift the transmission to P (park).
3. Engage the parking brake and turn the engine on.
4. Set the 3 boom switches to the ON position, but leave the master boom switch in the OFF position.
5. Set the pump switch to the ON position, and turn on the agitation.
6. Set the engine speed as follows:
 - For machines **without** the optional throttle lock—have 1 person press down on the accelerator pedal until the engine reaches maximum engine speed.

Note: Have the other person adjust the boom section-bypass valves.

 - For machines **with** the optional throttle lock, press down on the accelerator pedal until the engine reaches maximum engine speed and set the throttle lock; refer to operation instructions for your Workman hand throttle kit.
7. On the InfoCenter, navigate to the Calibration menu and select Test Speed.

Note: Selecting the Home Screen icon at any time cancels calibration.

8. Using the plus (+) and minus (-) symbols, enter a test speed of 5.6 km/h (3.5 mph), then select the Home icon.
9. Using the application rate switch, adjust the application rate according to the table that follows.

Nozzle Application Rate Table

| Nozzle Color | SI (Metric) | English | Turf |
|--------------|-------------|---------|----------|
| Yellow | 159 L/ha | 17 gpa | 0.39 gpk |
| Red | 319 L/ha | 34 gpa | 0.78 gpk |
| Brown | 394 L/ha | 42 gpa | 0.96 gpk |
| Gray | 478 L/ha | 51 gpa | 1.17 gpk |
| White | 637 L/ha | 68 gpa | 1.56 gpk |
| Blue | 796 L/ha | 85 gpa | 1.95 gpk |
| Green | 1,190 L/ha | 127 gpa | 2.91 gpk |

10. Turn off the left boom and adjust the boom bypass valve (Figure 87) until the pressure reading is at the previously adjusted level (typically 2.75 bar or 40 psi).

Note: The numbered indicators on the bypass valve are for reference only.

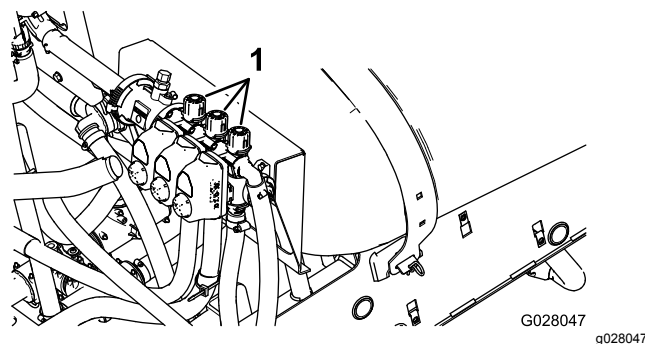


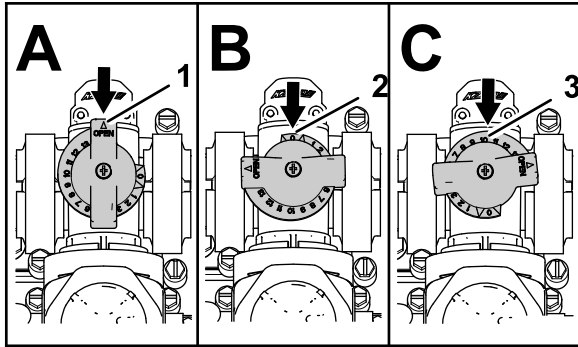
Figure 87

1. Boom-bypass adjustment
-
11. Turn on the left boom and turn off the right boom.
 12. Adjust the right boom bypass valve (Figure 87) until the pressure reading is at the previously adjusted level (typically 2.75 bar or 40 psi).
 13. Turn on the right boom and turn off the center boom.
 14. Adjust the center boom bypass valve (Figure 87) until the pressure reading is at the previously adjusted level (typically 2.75 bar or 40 psi).
 15. Turn all the booms off.
 16. Turn the pump off.

Note: Calibration is now complete.

Agitation Bypass Valve Knob Positions

- The agitation bypass valve is in the full Open position as shown in [Figure 88A](#).
- The agitation bypass valve is in the Closed (0) position as shown in [Figure 88B](#).
- The agitation bypass valve is in an intermediate (adjusted relative to the pressure gauge for the sprayer system) position as shown in [Figure 88C](#).



g214029

Figure 88

1. Open
2. Closed (0)
3. Intermediate position

Calibrating the Agitation Bypass Valve

Service Interval: Yearly

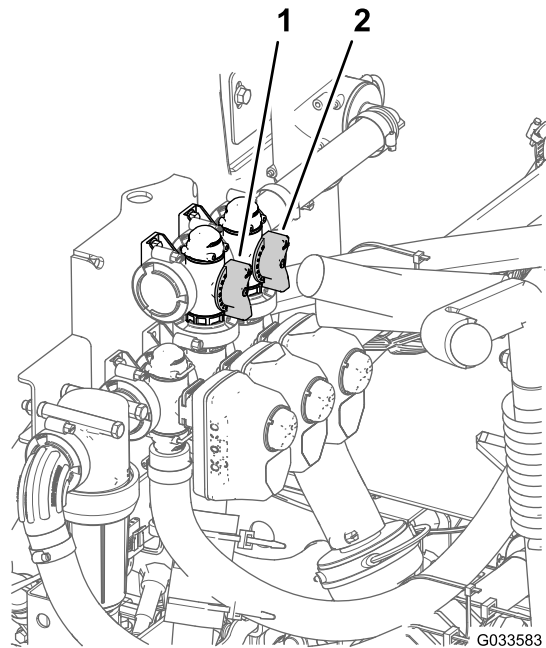
Important: Select an open flat area to perform this procedure.

Note: Calibrating the agitation bypass valve for machines **without a throttle lock** requires 2 people.

1. Ensure that the sprayer tank is filled with water.
2. Verify the agitation-control valve is open. If it has been adjusted, open it completely at this time.
3. Set the transmission as follows:
 - For HD-Series Models with a **manual transmission**—shift the transmission to the NEUTRAL position.
 - For the **HDX-Auto model**—shift the transmission to P (park).
4. Engage the parking brake and turn the engine on.
5. Turn on the sprayer pump.
6. Set the engine speed as follows:
 - For machines **without** the optional throttle lock—have 1 person press down on the accelerator pedal until the engine reaches maximum speed.

Note: Have the other person collect samples from the sprayer nozzles.

- For machines **with** the optional throttle lock, press down on the accelerator pedal until the engine reaches maximum speed and set the throttle lock; refer to operation instructions for your Workman hand throttle kit.
7. Set the 3 individual boom valves to the OFF position.
8. Set the master boom switch to the ON position.
9. Set the system pressure to Maximum.
10. Press the agitation switch to the OFF position and read the pressure gauge.
 - If the reading remains at 6.9 bar (100 psi) the agitation bypass valve is properly calibrated.
 - If the pressure gauge reads differently continue to the next step.
11. Adjust the agitation bypass valve ([Figure 89](#)) on the backside of the agitation valve until the pressure reading on the gauge is 6.9 bar (100 psi).



G033583

g033583

Figure 89

1. Agitation bypass valve
2. Master-boom bypass

12. Press the pump switch to the OFF position, shift the throttle lever to the IDLE position, and turn the starter switch to the OFF position.

Adjusting the Master-Boom Bypass Valve

Note: Adjusting the master-boom bypass valve reduces or increases the amount of flow sent to the

agitation nozzles in the tank when the master boom switch is set to the OFF position.

1. Ensure that the sprayer tank is filled with water.
2. Engage the parking brake.
3. Set the transmission as follows:
 - For HD-Series Models with a **manual transmission**—shift the transmission to the NEUTRAL position.
 - For the **HDX-Auto model**—shift the transmission to P (park).
4. Turn on the sprayer pump.
5. Set the agitation switch to the ON position.
6. Set the master boom switch to the OFF position.
7. Set the engine speed as follows:
 - For machines **without** the optional throttle lock—have 1 person press down on the accelerator pedal until the engine reaches maximum speed.

Note: Have the other person collect samples from the sprayer nozzles.

 - For machines **with** the optional throttle lock, press down on the accelerator pedal until the engine reaches maximum speed and set the throttle lock; refer to operation instructions for your Workman hand throttle kit.
8. Adjust the master-boom bypass handle to control the amount of agitation occurring in the tank (Figure 89).
9. Reduce the throttle speed to idle.
10. Set the agitation switch and pump switch to the OFF position.
11. Shut off the engine.

Spray Filter Recommendations

Selecting a Suction Filter

Standard Equipment: 50 mesh suction filter (blue)

Use the suction filter table to identify the screen mesh for the spray nozzles you are using based on chemicals products or solutions with a viscosity equivalent to water.

Suction Filter Table

| Spray Nozzle Color Code (flow rate) | Screen Mesh Size* | Filter Color Code |
|-------------------------------------|-------------------|-------------------|
| Yellow (0.2 gpm) | 50 | Blue |
| Red (0.4 gpm) | 50 | Blue |

Suction Filter Table (cont'd.)

| Spray Nozzle Color Code (flow rate) | Screen Mesh Size* | Filter Color Code |
|-------------------------------------|-------------------|-------------------|
| Brown (0.5 gpm) | 50 (or 30) | Blue (or green) |
| Gray (0.6 gpm) | 30 | Green |
| White (0.8 gpm) | 30 | Green |
| Blue (1.0 gpm) | 30 | Green |
| Green (1.5 gpm) | 30 | Green |

*The mesh size of the suction filters in this table are based on spray chemicals or solutions with the viscosity equivalent to water.

Important: When you spray with higher viscosity (thicker) chemical products or solutions with wettable powders, you may need to use a coarser screen mesh for the optional suction filter; refer to Figure 90.

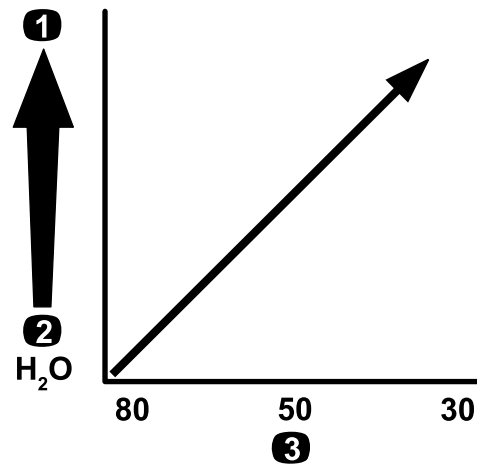


Figure 90

Mesh size—chemical or solution viscosity

1. Higher-viscosity chemicals or solutions
2. Lower-viscosity chemicals or solutions
3. Screen mesh size

When you spray at a higher application rate, consider using an coarser optional suction-filter mesh; refer to Figure 91.

g214212

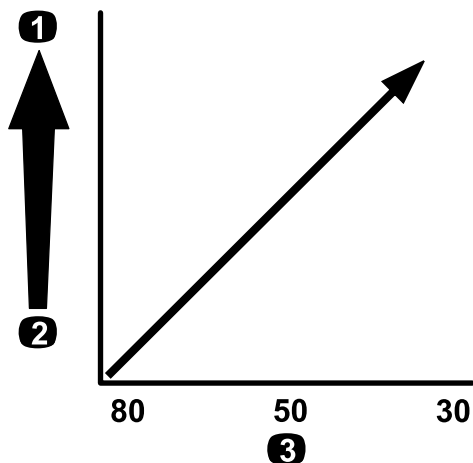


Figure 91

Mesh size—application rate

1. Higher application rate
2. Lower application rate
3. Screen mesh size

g214214

Pressure Filter Table (cont'd.)

| Spray Nozzle Color Code (flow rate) | Screen Mesh Size* | Filter Color Code |
|--|-------------------|-------------------|
| As required for high viscosity chemicals or solutions or high application rates | 16 | Brown |
| *The mesh size of the pressure filters in this table are based on spray chemicals or solutions with the viscosity equivalent to water. | | |

Important: When you spray with higher viscosity (thicker) chemical products or solutions with wettable powders, you may need to use a coarser screen mesh for the optional pressure-filter; refer to [Figure 92](#).

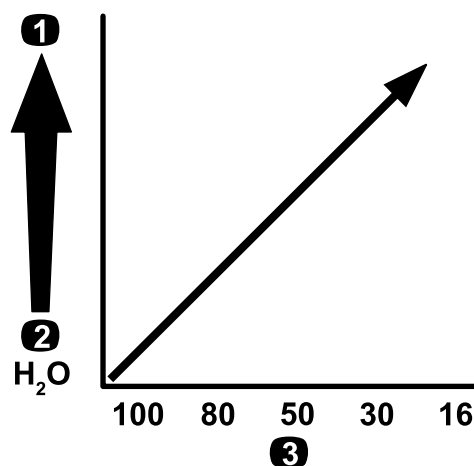


Figure 92

Mesh size—chemical or solution viscosity

1. Higher-viscosity chemicals or solutions
2. Lower-viscosity chemicals or solutions
3. Screen mesh size

g214211

Selecting a Pressure Filter

Available screen sizes include:

Standard Equipment: 50 mesh suction filter (blue)

Use the pressure filter table to identify the screen mesh for the spray nozzles you are using based on chemicals products or solutions with a viscosity equivalent to water.

Pressure Filter Table

| Spray Nozzle Color Code (flow rate) | Screen Mesh Size* | Filter Color Code |
|---|-------------------|-------------------|
| As required for low viscosity chemicals or solutions or low application rates | 100 | Green |
| Yellow (0.2 gpm) | 80 | Yellow |
| Red (0.4 gpm) | 50 | Blue |
| Brown (0.5 gpm) | 50 | Blue |
| Gray (0.6 gpm) | 50 | Blue |
| White (0.8 gpm) | 50 | Blue |
| Blue (1.0 gpm) | 50 | Blue |
| Green (1.5 gpm) | 50 | Blue |
| As required for high viscosity chemicals or solutions or high application rates | 30 | Red |

When you spray at a higher application rate, consider using an coarser optional pressure-filter mesh; refer to [Figure 93](#).

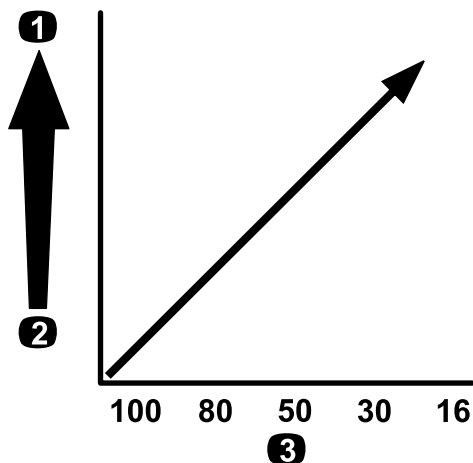


Figure 93

Mesh size—application rate

1. Higher application rate
2. Lower application rate
3. Screen mesh size

g214240

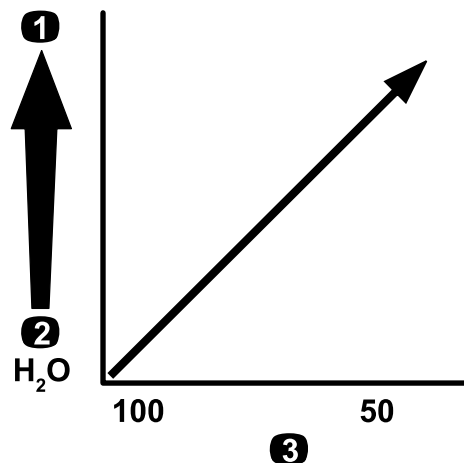


Figure 94

Mesh size—chemical or solution viscosity

1. Higher-viscosity chemicals or solutions
2. Lower-viscosity chemicals or solutions
3. Screen mesh size

g214246

Selecting a Nozzle-Tip Filter (Optional)

Note: The use the optional nozzle-tip filter to protect the spray-nozzle tip and increase its service life.

Use the nozzle-tip filter table to identify the screen mesh for the spray nozzles you are using based on chemicals products or solutions with a viscosity equivalent to water.

Nozzle-Tip Filter Table

| Spray Nozzle Color Code (flow rate) | Filter Mesh Size* | Filter Color Code |
|-------------------------------------|-------------------|-------------------|
| Yellow (0.2 gpm) | 100 | Green |
| Red (0.4 gpm) | 50 | Blue |
| Brown (0.5 gpm) | 50 | Blue |
| Gray (0.6 gpm) | 50 | Blue |
| White (0.8 gpm) | 50 | Blue |
| Blue (1.0 gpm) | 50 | Blue |
| Green (1.5 gpm) | 50 | Blue |

*The mesh size of the nozzle filters in this table are based on spray chemicals or solutions with the viscosity equivalent to water.

Important: When you spray with higher viscosity (thicker) chemical products or solutions with wettable powders, you may need to use a coarser screen mesh for the optional tip-filter; refer to [Figure 94](#).

When you spray at a higher application rate, consider using an courser tip-filter mesh; refer to [Figure 95](#).

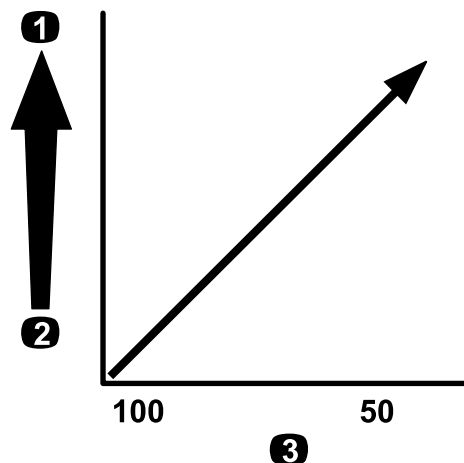


Figure 95

Mesh size—application rate

1. Higher application rate
2. Lower application rate
3. Screen mesh size

g214245

Maintenance

Note: Download a free copy of the electrical or hydraulic schematic by visiting www.Exmark.com and searching for your machine from the Manuals link on the home page.

Note: Determine the left and right sides of the machine from the normal operating position.

Recommended Maintenance Schedule(s)

| Maintenance Service Interval | Maintenance Procedure |
|------------------------------|--|
| Before each use or daily | <ul style="list-style-type: none">• Clean the suction filter.• Clean the pressure filter.• Check the tank straps. |
| Every 50 hours | <ul style="list-style-type: none">• Lubricate the pump. |
| Every 100 hours | <ul style="list-style-type: none">• Lubricate the grease fittings.• Lubricate the boom hinges. |
| Every 200 hours | <ul style="list-style-type: none">• Inspect all hoses and connections for damage and proper attachment.• Clean the flow meter (more often when using wettable powders). |
| Every 400 hours | <ul style="list-style-type: none">• Inspect the O-rings in the valve assemblies and replace them if necessary.• Change the suction filter.• Change the pressure filter.• Inspect the pump diaphragm and replace if necessary.• Inspect the pump check valves and replace if necessary.• Inspect the nylon pivot bushings. |
| Yearly | <ul style="list-style-type: none">• Flush the sprayer with clean water.• Calibrate the agitation bypass valve. |

Important: Refer to the *Operator's Manual* for your machine and the engine owner's manual for additional maintenance procedures.

Daily Maintenance Checklist

Duplicate this page for routine use.

| Maintenance Check Item | For the week of: | | | | | | |
|--|------------------|-------|------|--------|------|------|------|
| | Mon. | Tues. | Wed. | Thurs. | Fri. | Sat. | Sun. |
| Check the brake and parking brake operation. | | | | | | | |
| Check the gear shift/neutral operation. | | | | | | | |
| Check the fuel level. | | | | | | | |
| Check the engine oil level before filling the tank. | | | | | | | |
| Check the transaxle oil level before filling the tank. | | | | | | | |
| Inspect the air filter before filling the tank. | | | | | | | |
| Inspect the engine cooling fins before filling the tank. | | | | | | | |
| Check any unusual engine noises. | | | | | | | |
| Check any unusual operating noises. | | | | | | | |
| Check the tire pressure. | | | | | | | |
| Check for fluid leaks. | | | | | | | |
| Check the instrument operation. | | | | | | | |
| Check the accelerator operation. | | | | | | | |
| Clean the suction strainer. | | | | | | | |
| Check toe-in. | | | | | | | |
| Lubricate all grease fittings. ¹ | | | | | | | |
| Touch up and damaged paint. | | | | | | | |

¹Immediately after **every** washing, regardless of the interval listed

Notation for Areas of Concern

| Inspection performed by: | | |
|--------------------------|------|-------------|
| Item | Date | Information |
| 1 | | |
| 2 | | |
| 3 | | |
| 4 | | |
| 5 | | |
| 6 | | |
| 7 | | |
| 8 | | |
| 9 | | |
| 10 | | |

⚠ CAUTION

If you leave the key in the starter switch, someone could accidentally start the engine and seriously injure you or bystanders.

Remove the key from the starter switch and disconnect the negative battery cable from the battery before you do any maintenance. Set the battery cable aside so that it does not accidentally contact the battery post.

Pre-Maintenance Procedures

Accessing the Machine

Raising the Tank Assembly

⚠ DANGER

The sprayer tank assembly represents a stored energy hazard. If not properly retained when installing or removing the assembly, it can move or fall and injure you or other bystanders.

Use straps and an overhead lift to support the sprayer tank assembly during installation, removal, or any maintenance whenever you remove the retaining fasteners.

You can raise up the tank assembly to access to the engine and other internal components. Pivot the boom extension forward to distribute the weight more evenly.

1. Empty the spray tank.
2. Park the vehicle on a level surface.
3. Use the boom-control switches to raise the boom extension to approximately 45°.
4. Engage the parking brake, shut off the engine, and remove the key.
5. Remove the safety bolts from the front of the skid (Figure 96).

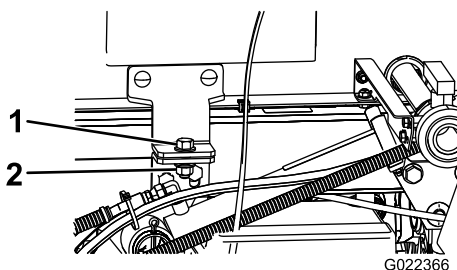


Figure 96

1. Bolt (1/2 x 1-1/2 inches)
2. Locknut (1/2 inch)

6. Fold the boom extensions forward, alongside the tank assembly to distribute the weight more evenly, and keep it from tipping backward.
7. Raise the tank assembly until the lift cylinders are fully extended.
8. Remove the bed support from the storage brackets at back of the ROPS panel (Figure 97).

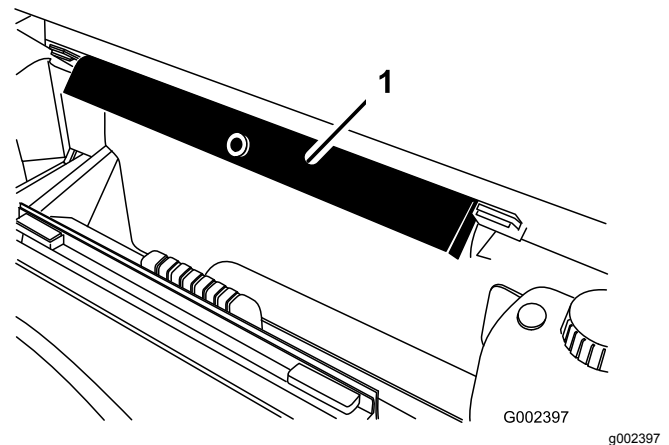


Figure 97

1. Bed support
9. Push the bed support onto the cylinder rod, making sure that the support end tabs rest on

the end of cylinder barrel and on the rod end of the lift cylinder (Figure 98).

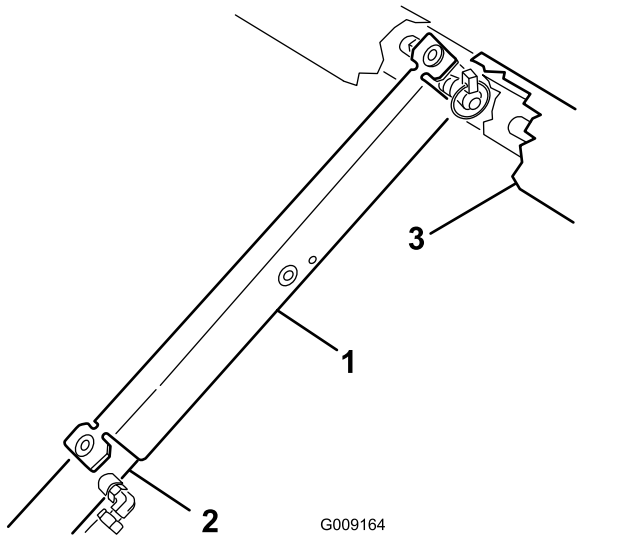


Figure 98

- | | |
|--------------------|--------|
| 1. Bed support | 3. Bed |
| 2. Cylinder barrel | |

Lowering the Tank Assembly

1. When you are ready to lower the tank assembly, remove the bed support from the cylinder and insert it into the brackets on the back of the ROPS panel.

Important: Do not try to lower the tank assembly with the bed safety support on the cylinder.

2. Retract the lift cylinders to carefully lower the tank to the frame.
3. Install the 2 hold down bolts and fasteners to secure the tank assembly.
4. Fold the boom extensions rearward to the extended position.
5. Use the boom-control switches to raise the boom extensions to the TRANSPORT position.

Lubrication

Greasing the Sprayer System

Service Interval: Every 100 hours

Lubricate all bearings and bushings after every 100 hours or once a year, whichever occurs first.

Grease Type: No. 2 lithium grease

1. Wipe the grease fitting clean so that foreign matter cannot be forced into the bearing or bushing.
2. Pump grease into the bearing or bushing.
3. Wipe off the excess grease.

Greasing the Sprayer Pump

Service Interval: Every 50 hours

Grease Type: Mobil XHP 461

1. Locate the grease fittings on the sprayer pump.

Note: The pump is located at the rear end of the machine.

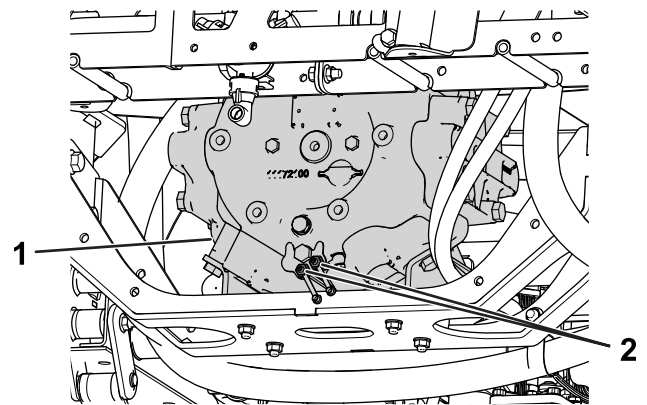


Figure 99

- | | |
|-----------------|-------------------|
| 1. Sprayer pump | 2. Grease fitting |
|-----------------|-------------------|

2. Wipe the 2 remote grease fittings clean.
3. Pump grease into each remote grease fitting.
4. Wipe off the excess grease.

Greasing the Boom Hinges

Service Interval: Every 100 hours

Important: If you wash the boom hinge with water, clear all water and debris from the hinge assembly and apply fresh grease.

Grease Type: No. 2 lithium grease

1. Wipe the grease fittings clean so that foreign matter cannot be forced into the bearing or bushing.
2. Pump grease into the bearing or bushing at each fitting [Figure 100](#).

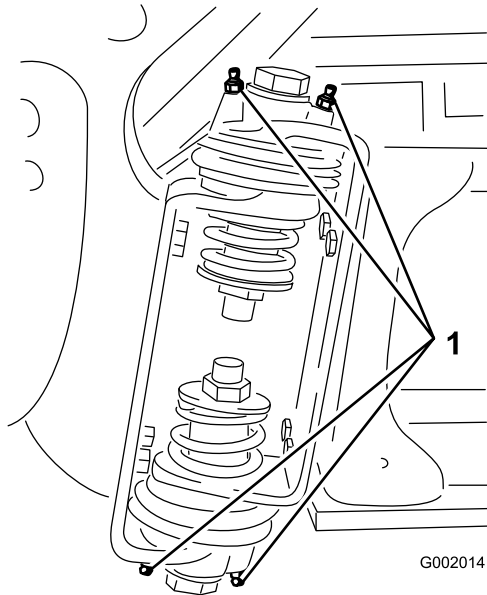


Figure 100
Right boom

1. Grease fitting
-
3. Wipe off excess grease.
 4. Repeat this procedure for each boom pivot.

Spray System Maintenance

⚠ WARNING

Chemical substances used in the spreader-sprayer system may be hazardous and toxic to you, bystanders, animals, plants, soils or other property.

- Carefully read and follow the chemical warning labels and material safety data sheets (MSDS) for all chemicals used and protect yourself according to the chemical manufacturer's recommendations. Ensure that as little skin as possible is exposed while using chemicals. Use appropriate personal protective equipment (PPE) to guard against personal contact with chemicals; personal protective equipment includes:
 - safety glasses, goggles, and/or face shield
 - respirator or filter mask
 - chemical-resistant gloves
 - rubber boots or other substantial footwear
 - hearing protection
 - clean change of clothes, soap, and disposable towels, to be kept on-hand, in the event of a chemical spill.
- Keep in mind that there may be more than 1 chemical used, and information on each chemical should be assessed.
- Refuse to operate or work on the sprayer if this information is not available!
- Before working on a sprayer system, make sure that the system has been triple rinsed and neutralized according to the recommendations of the chemical manufacturer(s) and that all the valves have been cycled 3 times.
- Verify there is an adequate supply of clean water and soap nearby, and immediately wash off any chemicals that contact you.

Inspecting the Hoses

Service Interval: Every 200 hours

Every 400 hours/Yearly (whichever comes first)

Examine each hose in the spray system for cracks, leaks, or other damage. At the same time, inspect the connections and fittings for similar damage. Replace any hoses and fittings if they are damaged.

Changing the Suction Filter

Service Interval: Every 400 hours

Note: Determine the appropriate suction filter mesh size that you need for your job; refer to [Selecting a Suction Filter \(page 64\)](#).

1. Park the machine on a level surface, engage the parking brake, shut off the pump, shut off the engine, and remove the key.
2. At the top of the sprayer tank, remove the retainer that secures the hose fitting attached to the large hose from the filter housing ([Figure 101](#)).

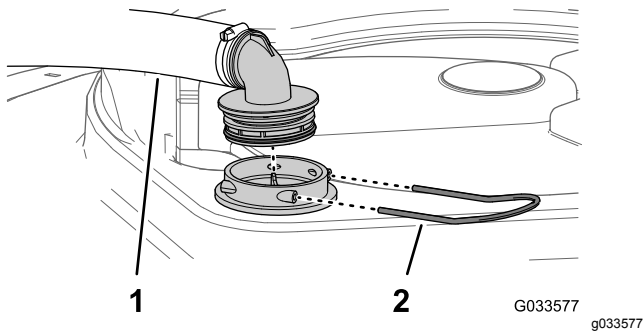


Figure 101

1. Suction hose
2. Retainer

3. Remove the hose and hose fitting from the filter housing ([Figure 101](#)).
4. Remove the old suction filter from the filter housing in the tank ([Figure 102](#)).

Note: Discard the old filter.

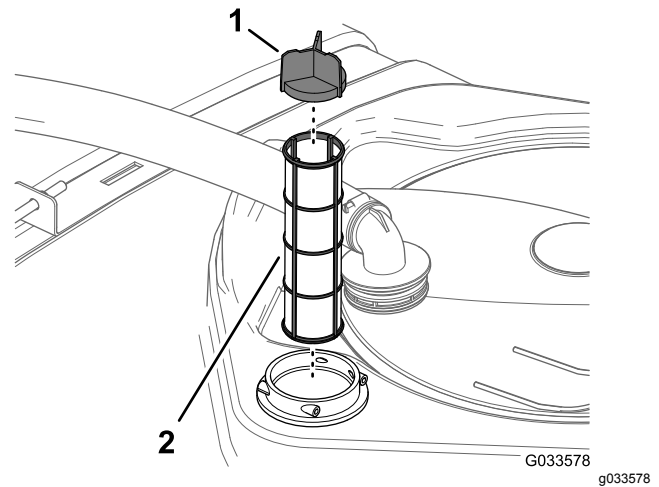


Figure 102

1. Screen vane
2. Suction filter

5. Install the new suction filter into the filter housing.

Note: Ensure that the filter is fully seated.

6. Align the hose and hose fitting to the filter housing at the top of the tank, and secure the fitting and housing with the retainer that you removed in step 2.

Changing the Pressure Filter

Service Interval: Every 400 hours

Note: Determine the appropriate pressure filter mesh size that you need for your job; refer to [Selecting a Pressure Filter \(page 65\)](#).

1. Park the machine on a level surface, engage the parking brake, shut off the sprayer pump, shut off the engine, and remove the key.
2. Align a drain pan under the pressure filter ([Figure 103](#)).

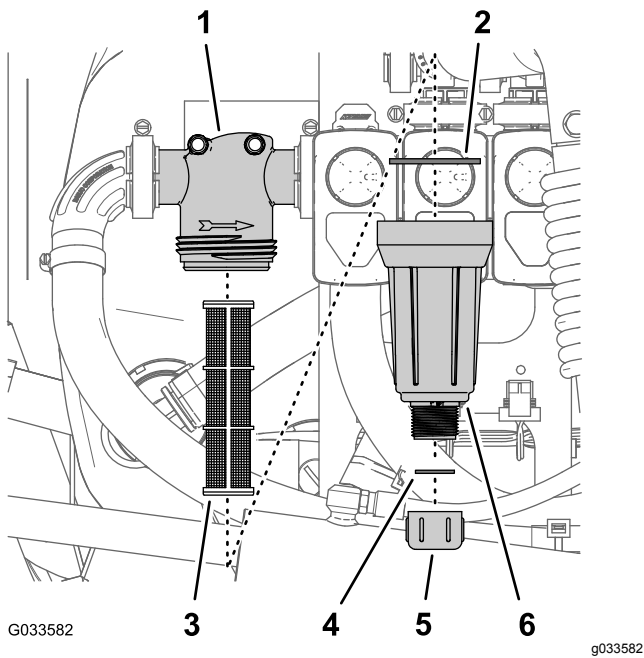


Figure 103

- | | |
|-------------------|------------------------|
| 1. Filter head | 4. Gasket (drain plug) |
| 2. Gasket (bowl) | 5. Drain cap |
| 3. Filter element | 6. Bowl |

3. Rotate the drain cap counterclockwise and remove it from the bowl of the pressure filter (Figure 103).

Note: Allow the bowl to drain completely.

4. Rotate the bowl counterclockwise and remove the filter head (Figure 103).
 5. Remove the old pressure filter element (Figure 103).
- Note:** Discard the old filter.
6. Check the gasket for the drain plug (located inside the bowl) and the gasket for bowl (located inside the filter head) for damage and wear (Figure 103).

Note: Replace any damaged or worn gaskets for the plug, bowl, or both.

7. Install the new pressure filter element into the filter head (Figure 103).
- Note:** Ensure that the filter element is firmly seated into the filter head.
8. Install the bowl onto the filter head, and tighten by hand (Figure 103).
 9. Assemble the drain cap onto the fitting at the bottom of the bowl, and tighten the cap by hand (Figure 103).

Changing the Nozzle Filter

Note: Determine the appropriate nozzle filter mesh size that you need for your job; refer to [Selecting a Nozzle-Tip Filter \(Optional\)](#) (page 66).

1. Park the machine on a level surface, engage the parking brake, shut off the sprayer pump, shut off the engine, and remove the key.
2. Remove the nozzle from the spray turret (Figure 104).

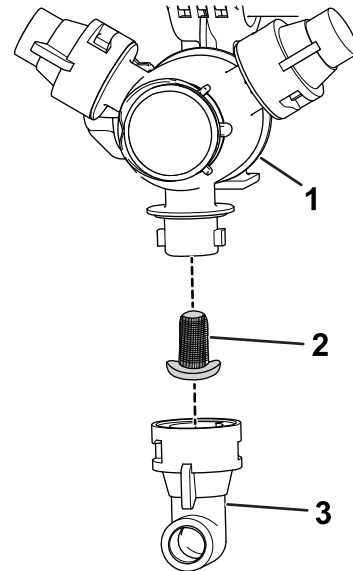


Figure 104

- | | |
|------------------|-----------|
| 1. Spray turret | 3. Nozzle |
| 2. Nozzle filter | |

3. Remove the old nozzle filter (Figure 104).

Note: Discard the old filter.

4. Install the new nozzle filter (Figure 104).

Note: Ensure that the filter is fully seated.

5. Install the nozzle onto the spray turret (Figure 104).

Inspecting the Sprayer Pump

Service Interval: Every 400 hours/Yearly (whichever comes first)—Inspect the pump diaphragm and replace if necessary. (see an Authorized Toro Service Distributor).

Every 400 hours/Yearly (whichever comes first)—Inspect the pump check valves and replace if necessary. (see an Authorized Toro Service Distributor).

Note: The following machine components are considered parts subject to consumption through use unless found defective and are not covered by the Warranty associated with this machine.

Have an Authorized Toro Service Distributor check the following internal pump components for damage:

- Pump diaphragm
- Pump check valve assemblies

Replace any components if necessary.

Adjusting the Booms to Level

The following procedure can be used to adjust the actuators on the center boom to keep the left and right booms at level.

1. Extend the booms to the spray position.
2. Remove the cotter pin from the pivot pin ([Figure 105](#)).

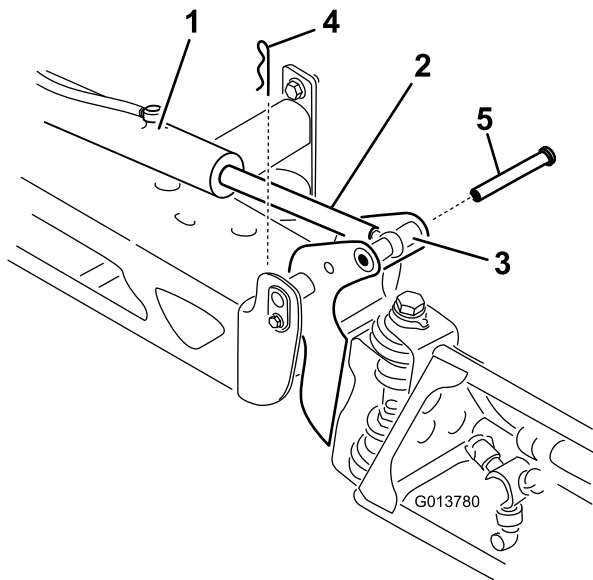
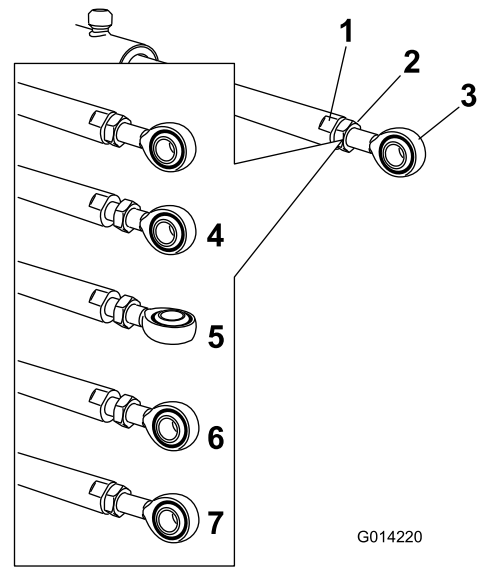


Figure 105

g013780

1. Actuator
2. Actuator rod
3. Boom-pivot pin housing
4. Cotter
5. Pin

3. Lift up on the boom and remove the pin ([Figure 105](#)), and slowly lower the boom to the ground.
4. Inspect the pin for any damage, and replace it if necessary.
5. Use a wrench on the flat sides of the actuator rod to immobilize it, then loosen the jam nut to allow the eyelet rod to be adjusted ([Figure 106](#)).



G014220

g014220

Figure 106

1. Flat on the actuator rod
 2. Jam nut
 3. Eyelet
 4. Jam nut loosened
 5. Eyelet adjusted
 6. Eyelet position for assembly
 7. Jam nut tightened to lock new position
6. Turn the eyelet rod in the actuator rod to shorten or lengthen the extended actuator to the desired position ([Figure 106](#)).
- Note:** You must turn the eyelet rod in half or complete revolutions so that you can assemble the rod to the boom.
7. Once the desired position has been achieved, tighten the jam nut to secure the actuator and eyelet rod.
 8. Raise the boom to align the pivot with the actuator rod.
 9. While holding the boom, insert the pin through both boom pivot and actuator rod ([Figure 105](#)).
 10. With the pin in place, release the boom and secure the pin with the cotter previously removed.
 11. Repeat the procedure for each actuator rod bearing, if necessary.

Inspecting the Nylon Pivot Bushings

Service Interval: Every 400 hours/Yearly (whichever comes first)

1. Park the machine on a level surface, engage the parking brake, shut off the pump, shut off the engine, and remove the key.
2. Extend the booms to the spray position and support the booms using stands or straps from a lift.
3. With the weight of the boom supported, remove the bolt and nut securing the pivot pin to the boom assembly (Figure 107).

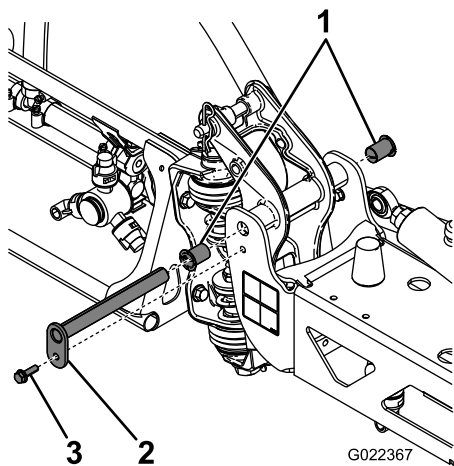


Figure 107

- | | |
|-------------------|---------|
| 1. Nylon bushings | 3. Bolt |
| 2. Pivot pin | |

4. Remove the pivot pin.
5. Remove the boom and pivot bracket assembly from the center frame to access the nylon bushings.
6. Remove and inspect the nylon bushings from the front and back sides of the pivot bracket (Figure 107).

Note: Replace any damaged bushings.

7. Place a small amount of oil on the nylon bushings, and install them into pivot bracket.
8. Install the boom and pivot bracket assembly into the center frame, aligning the openings (Figure 107).
9. Install the pivot pin and secure it with the bolt and nut removed previously.

Repeat this procedure for each boom.

Cleaning

Cleaning the Flow meter

Service Interval: Every 200 hours/Yearly (whichever comes first) (more often when using wettable powders).

1. Thoroughly rinse and drain the entire spraying system.
2. Remove the flow meter from the sprayer and flush it with clean water.
3. Remove the retainer ring on the upstream side (Figure 108).

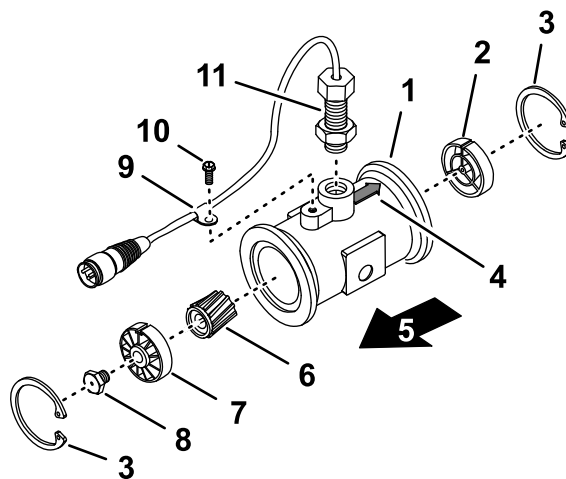


Figure 108

- | | |
|--|--|
| 1. Flange (flow-meter body) | 7. Upstream hub and bearing (with keyway up) |
| 2. Downstream hub (with keyway up) | 8. Turbine stud |
| 3. Retaining ring | 9. Wire-harness clamp |
| 4. Down stream arrow (flow-meter body) | 10. Flange-head screw |
| 5. Upstream | 11. Sensor assembly |
| 6. Rotor/magnet | |

4. Clean the turbine and the turbine hub to remove metal filings and any wettable powders.
5. Inspect the turbine blades for wear.

Note: Hold the turbine in your hand and spin it. It should spin freely with very little drag. If it does not, replace it.

6. Assemble the flow meter.
7. Use a low pressure (50 kPa or 5 psi) air jet to ensure that the turbine spins freely.

Note: If the turbine does not spin freely, loosen the hex stud on the bottom of the turbine hub by 1/16 of a turn until it does spins freely.

Cleaning the Sprayer Valves

- To clean the rate control valve, refer to the following sections:
 - Removing the Valve Actuator (page 76)
 - Removing the Rate Control Manifold Valve (page 77)
 - Cleaning the Manifold Valve (page 81)
 - Assembling the Manifold Valve (page 82)
 - Installing the Rate Control Manifold Valve (page 83)
 - Installing the Valve Actuator (page 86)
- To clean the agitation valve; refer to the following sections:
 - Removing the Valve Actuator (page 76)
 - Removing the Agitation Manifold Valve (page 78)
 - Cleaning the Manifold Valve (page 81)
 - Assembling the Manifold Valve (page 82)
 - Installing the Agitation Manifold Valve (page 83)
 - Installing the Valve Actuator (page 86)
- To clean the master-boom valve, refer to the following sections:
 - Removing the Valve Actuator (page 76)
 - Removing the Master Boom Manifold Valve (page 79)
 - Cleaning the Manifold Valve (page 81)
 - Assembling the Manifold Valve (page 82)
 - Installing the Master Boom Manifold Valve (page 84)
 - Installing the Valve Actuator (page 86)
- To clean the 3 section valves; refer to the following sections:
 - Removing the Valve Actuator (page 76)
 - Removing the Section Manifold Valve (page 80)
 - Cleaning the Manifold Valve (page 81)
 - Assembling the Manifold Valve (page 82)
 - Installing the Section Manifold Valve (page 85)
 - Installing the Valve Actuator (page 86)

- Remove the 3-pin connector of the valve actuator from the 3 socket electrical connector of the sprayer harness.
- Remove the retainer that secures the a actuator to the manifold valve for the rate control valve, agitation valve, master-boom valve, or boom-section valve (Figure 109).

Note: Squeeze the 2 legs of the retainer together while pushing it down.

Note: Retain the actuator and retainer for installation in [Installing the Valve Actuator \(page 86\)](#).

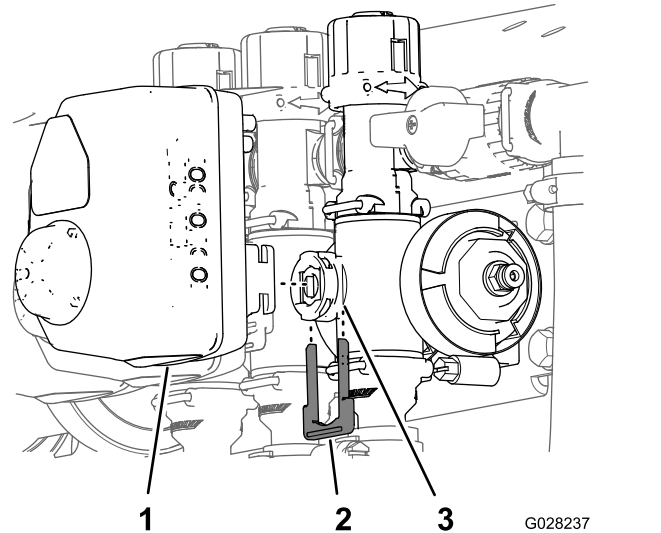


Figure 109

Section valve actuator shown (the agitation-valve actuator is similar)

- Valve actuator (section valve shown)
- Retainer
- Stem port

- Remove the actuator from the manifold valve.

Removing the Valve Actuator

- Park the machine on a level surface, engage the parking brake, shut off the pump, shut off the engine, and remove the key.

Removing the Rate Control Manifold Valve

1. Remove 2 flange clamps and 2 gaskets that secure the manifold for the rate control valve (Figure 110) to the pressure filter and agitation valve.

Note: Retain the flange clamps and gaskets for installation in [Installing the Rate Control Manifold Valve](#) (page 83).

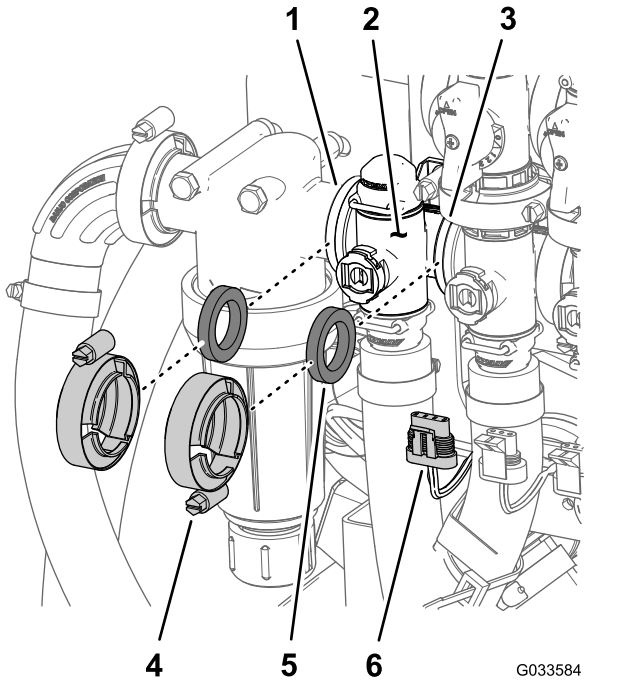


Figure 110

- | | |
|----------------------------------|--|
| 1. Flange (pressure filter head) | 4. Flange clamp |
| 2. Manifold (rate control valve) | 5. Gasket |
| 3. Flange (agitation valve) | 6. 3-pin connector (valve actuator—rate control valve) |

2. Remove the retainer that secure the outlet fitting to the manifold coupling for the rate control valve (Figure 111).

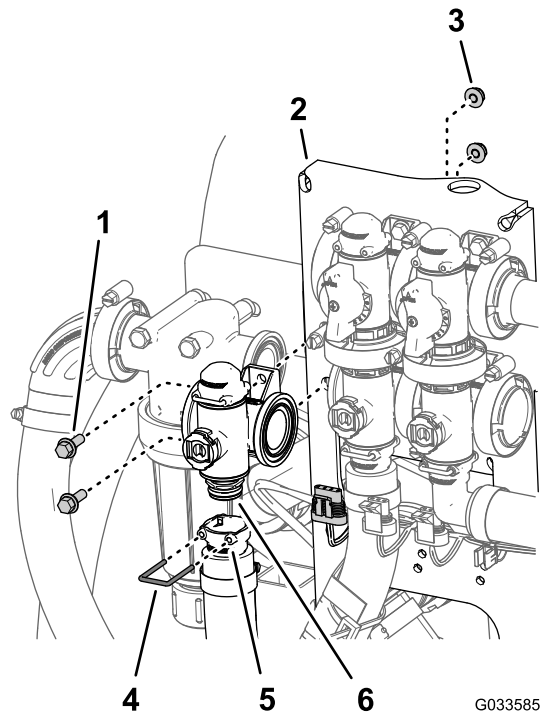


Figure 111

- | | |
|--------------------------------------|---|
| 1. Flange-head bolt (1/4 x 3/4 inch) | 4. Retainer |
| 2. Valve mount | 5. Socket (outlet fitting) |
| 3. Flange locknut (1/4 inch) | 6. Coupling (manifold—rate control valve) |

3. Remove the 2 flange-head bolts (1/4 x 3/4 inch) and 2 flange locknuts (1/4 inch) that secure the rate control valve to the valve mount and remove the valve manifold from the machine (Figure 111).

Note: If necessary, loosen the mounting hardware for the pressure filter head to ease removal of the rate control valve.

Note: Retain the flange-head bolts, flange locknuts, and retainer for installation in [Installing the Rate Control Manifold Valve](#) (page 83).

Removing the Agitation Manifold Valve

1. Remove 3 flange clamps and 3 gaskets that secure the manifold for the agitation valve (Figure 112) to the agitation bypass valve, rate control valve, and master-boom valve.

Note: Retain the flange clamps and gaskets for installation in [Installing the Agitation Manifold Valve](#) (page 83).

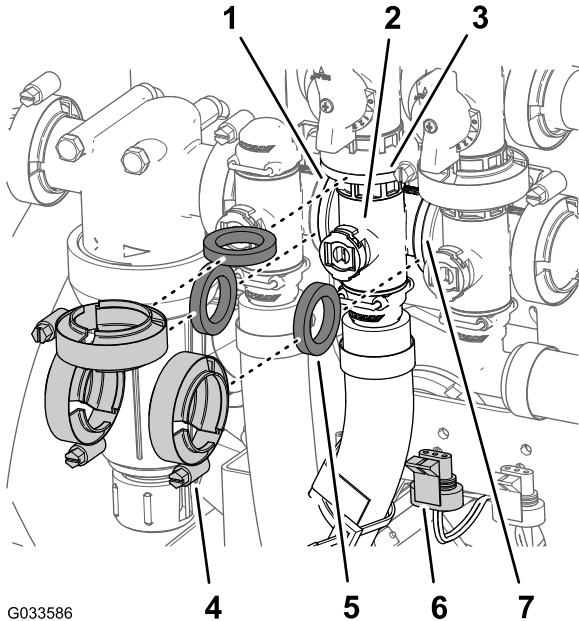


Figure 112

- | | |
|--|---|
| 1. Flange (pressure filter head) | 5. Gasket |
| 2. Manifold (agitation valve) | 6. 3-pin connector (valve actuator—agitation valve) |
| 3. Flange (bypass valve—agitation valve) | 7. Flange (master-boom valve) |
| 4. Flange clamp | |

2. Remove the retainer that secure the quick-disconnect socket to the manifold quick-disconnect coupling for the agitation valve (Figure 113).

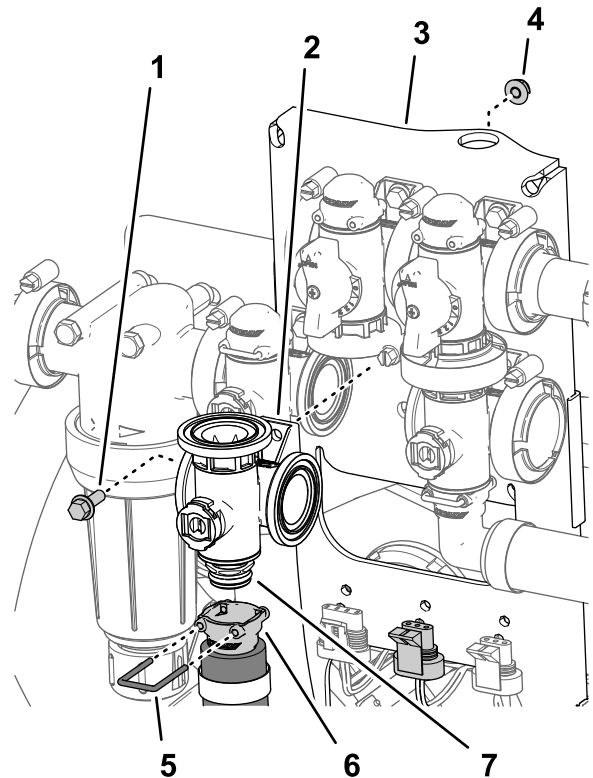


Figure 113

- | | |
|--------------------------------------|--|
| 1. Flange-head bolt (1/4 x 3/4 inch) | 5. Retainer |
| 2. Manifold valve (agitation valve) | 6. Quick-disconnect fitting (socket) |
| 3. Valve mount | 7. Quick-disconnect fitting (coupling) |
| 4. Flange locknut (1/4 inch) | |

3. Remove the flange-head bolt (1/4 x 3/4 inch) and flange locknut (1/4 inch) that secure the agitation valve to the valve mount and remove the valve manifold from the machine (Figure 113).

Note: Retain the flange head bolt, flange locknut, and retainer for installation in [Installing the Agitation Manifold Valve](#) (page 83).

Removing the Master Boom Manifold Valve

1. Remove flange clamps and gaskets that secure the manifold for the master-boom valve (Figure 114) to the master-boom bypass valve, agitation valve, and 90° flanged elbow (at the end of the hose for the flow meter).

Note: Retain the flange clamps and gaskets for installation in [Installing the Master Boom Manifold Valve](#) (page 84).

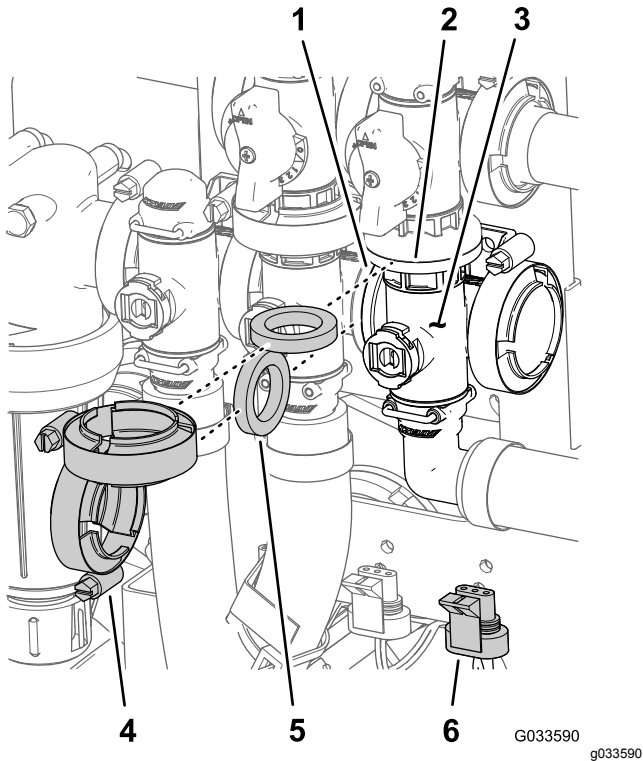


Figure 114

- | | |
|--------------------------------------|---|
| 1. Flange (agitation-valve) | 4. Flange clamp |
| 2. Flange (bypass—master-boom valve) | 5. Gasket |
| 3. Manifold (master-boom valve) | 6. 3-pin connector (valve actuator—master-boom valve) |

2. Remove the retainer that secure the 90° outlet fitting to the manifold coupling for the master-boom valve (Figure 115).

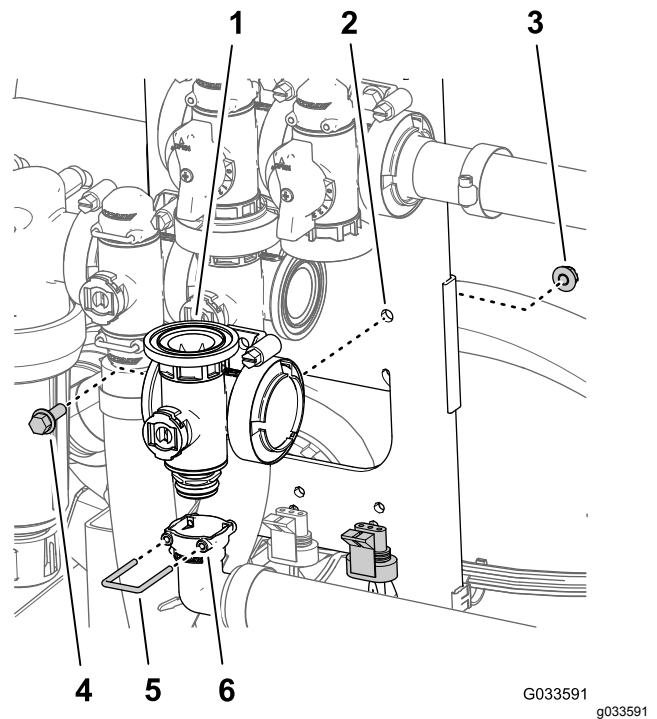


Figure 115

- | | |
|---------------------------------|--------------------------------------|
| 1. Manifold (master-boom valve) | 4. Flange-head bolt (1/4 x 3/4 inch) |
| 2. Valve mount | 5. Retainer |
| 3. Flange locknut (1/4 inch) | 6. Socket (90° outlet fitting) |

3. Remove the flange-head bolt (1/4 x 3/4 inch) and flange locknut (1/4 inch) that secure the master-boom valve to the valve mount and remove the valve manifold from the machine (Figure 115).

Note: Retain the flange-head bolt, flange locknut, and retainer for installation in [Installing the Master Boom Manifold Valve](#) (page 84).

Removing the Section Manifold Valve

1. Remove clamps and gaskets that secure the manifold for the section valve (Figure 116) to the adjacent section valve (if left section valve, and the reducer coupling).

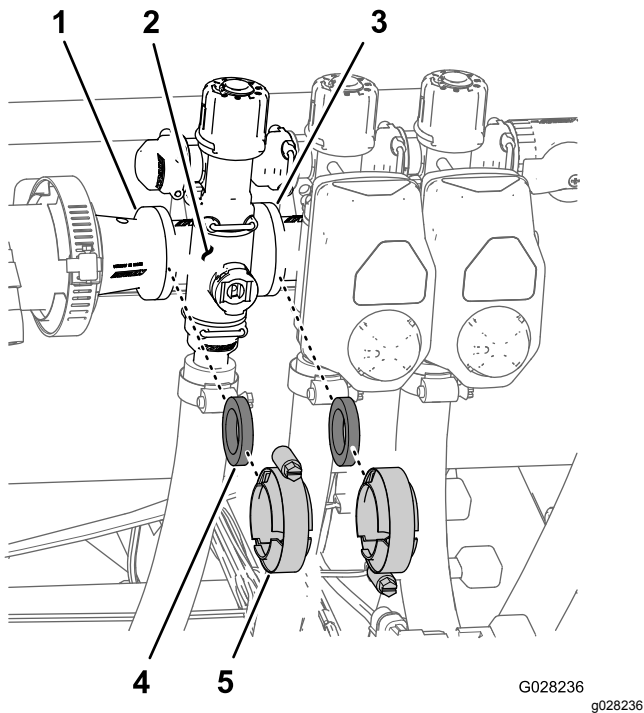


Figure 116

- | | |
|------------------------------------|-----------------|
| 1. Flange (reducer coupling) | 4. Gasket |
| 2. Manifold (section valve) | 5. Flange clamp |
| 3. Flange (adjacent section valve) | |

2. Remove the retainers that secure the outlet fitting to the section valve manifold and the valve manifold to the bypass fitting (Figure 117).

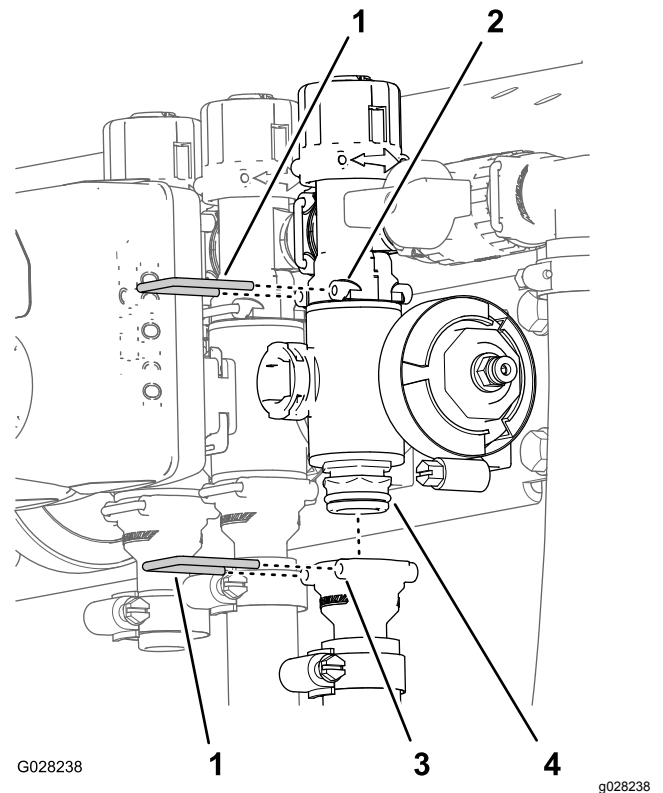


Figure 117

- | | |
|----------------------------|----------------------------|
| 1. Retainer | 3. Socket (outlet fitting) |
| 2. Socket (bypass fitting) | 4. Manifold valve assembly |

3. For the left or right boom section valves, remove the flanged-head bolts and flanged locknuts that secure the section valve(s) to the valve mount and remove the valve manifold(s) from the machine; for the center section valve, remove the section valve manifold from the machine (Figure 118).

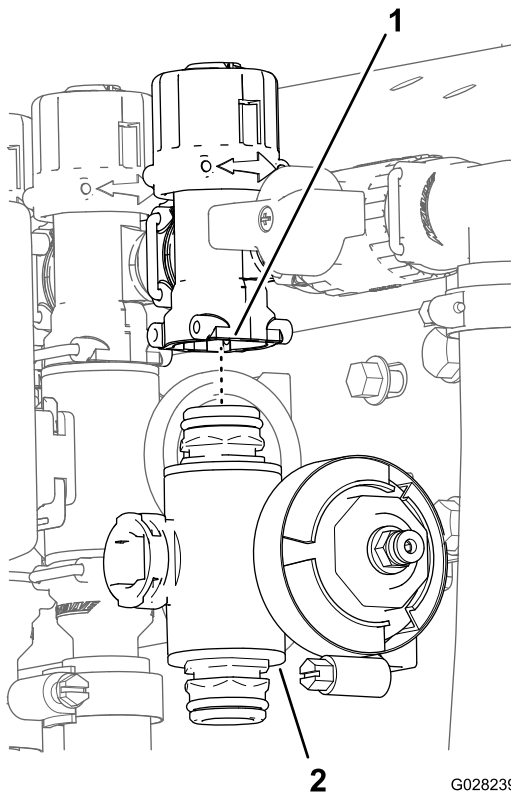


Figure 118

1. Bypass fitting 2. Section valve manifold

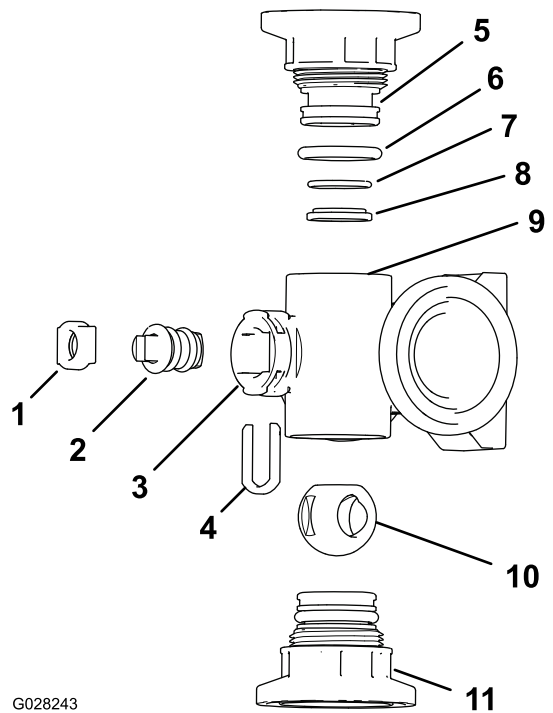


Figure 120
Agitation Valve Manifold

- | | |
|---|--|
| 1. Stem retainer | 7. Back seating O-ring (0.676 x 0.07 inch) |
| 2. Valve stem | 8. Valve-seat ring |
| 3. Stem port | 9. Manifold body |
| 4. Stem-capture retainer | 10. Ball valve |
| 5. End-cap fitting | 11. End-cap-fitting assembly |
| 6. End-cap seal O-ring (0.796 x 0.139 inch) | |

Cleaning the Manifold Valve

1. Position the valve stem so that it is in the closed position (Figure 119B).

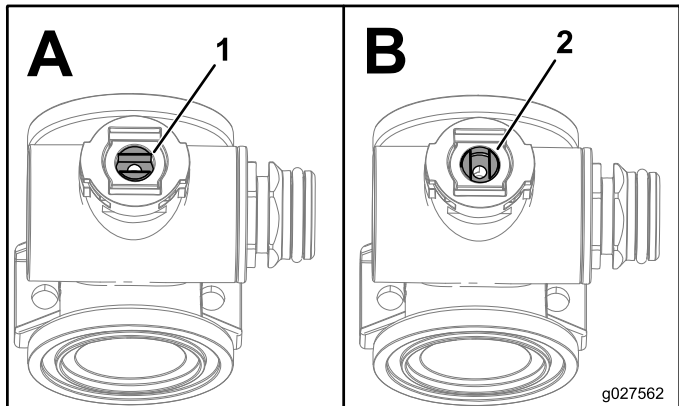
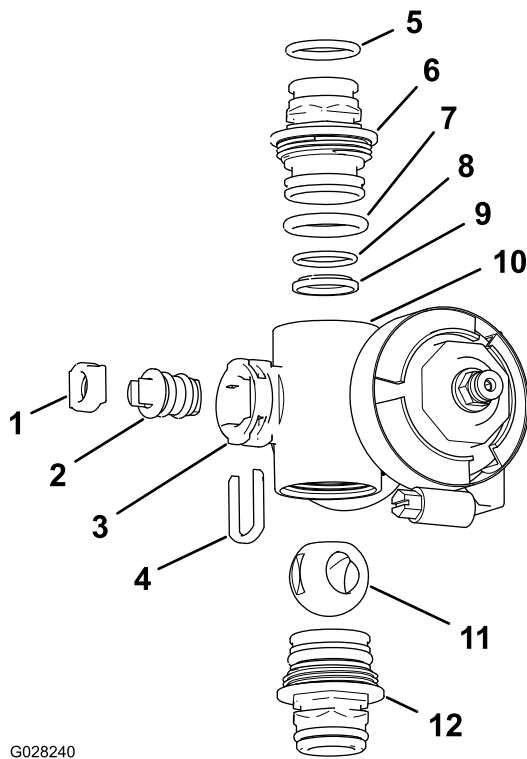


Figure 119

1. Valve open 2. Valve closed

2. Remove the 2 end-cap-fitting assemblies from each end of the manifold body (Figure 120 and Figure 121).



G028240

g028240

Figure 121
Section Valve Manifold

- | | |
|---|--|
| 1. Valve-stem seat | 7. End-cap O-ring (0.796 x 0.139 inch) |
| 2. Valve-stem assembly | 8. Back seating O-ring (0.676 x 0.07 inch) |
| 3. Stem port | 9. Ball seat |
| 4. Stem retainer | 10. Manifold body |
| 5. Outlet fitting O-ring (0.737 x 0.103 inch) | 11. Ball valve |
| 6. Coupling (manifold) | 12. Coupling assembly (manifold) |

- Turn the valve stem so that the ball is in the open position (Figure 119A).
Note: When the valve stem is parallel with the valve flow, the ball slides out.
- Remove the stem retainer from the slots in the stem port in the manifold (Figure 120 and Figure 121).
- Remove the stem retainer and valve stem seat from the manifold (Figure 120 and Figure 121).
- Reach into the manifold body and remove the valve-stem assembly (Figure 120 and Figure 121).
- Clean the inside of the manifold and exterior of the ball valve, valve-stem assembly, stem capture, and end fittings.

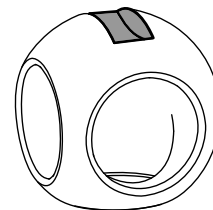
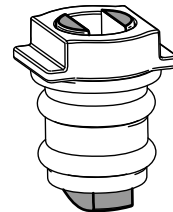
Assembling the Manifold Valve

- Check the condition of the outlet fitting O-rings (section valve manifold only), end cap O-rings, back seating O-rings, and ball seat for damage or wear (Figure 120 and Figure 121).
Note: Replace any damaged or worn O-rings or seats.
- Apply grease to the valve stem and insert it into the valve stem seat (Figure 120 and Figure 121).
- Install the valve stem and seat into the manifold and secure the stem and seat with the stem retainer (Figure 120 and Figure 121).
- Ensure that the back seating O-ring and the ball seat are aligned and seated into the end-cap fitting (Figure 120 and Figure 121)
- Install the end-cap fitting assembly onto the manifold body until the flange of the end-cap fitting touches the manifold body (Figure 120 and Figure 121), then turn the end-cap fitting an additional 1/8 to 1/4 turn.

Note: Use caution so as not to damage the end of the fitting.

- Insert the ball into the valve body (Figure 122).

Note: The valve stem should fit inside the ball drive slot. If the valve stem does not fit, adjust the position of the ball (Figure 122).



g027565

g027565

Figure 122

- Turn the valve stem assembly so that the valve is closed (Figure 119B)
- Repeat steps 4 and 5 for the other end-cap fitting assembly.

Installing the Rate Control Manifold Valve

1. Align a gasket between the flanges of the rate control valve manifold and the pressure filter head (Figure 123A).

Note: If needed, loosen the mounting hardware for the pressure filter head as needed to provide clearance.

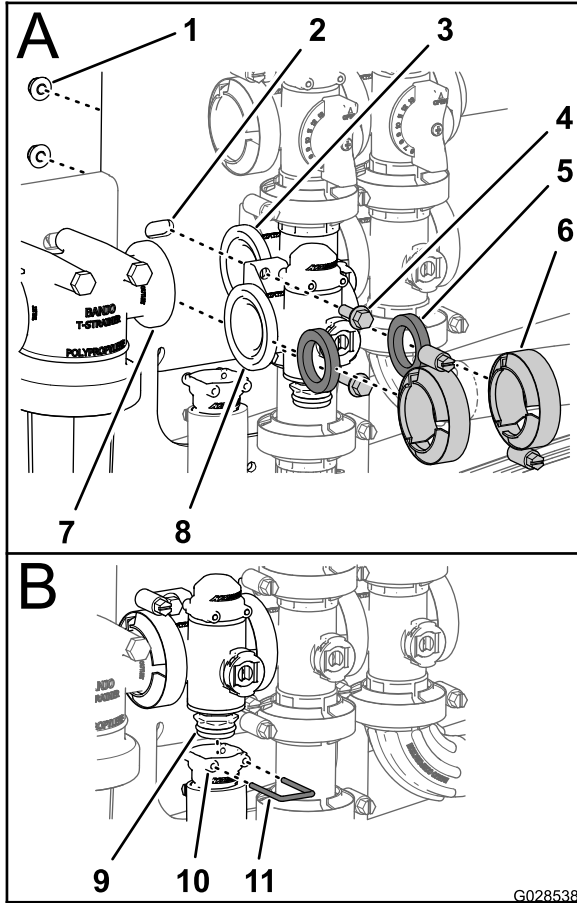


Figure 123

- | | | |
|---------------------------------------|----------------------------------|------------------------------|
| 1. Locknut (1/4 inch) | 5. Gasket | 9. Coupling (manifold-valve) |
| 2. Valve mount | 6. Flange clamp | 10. Socket (outlet fitting) |
| 3. Flange (agitation-valve) | 7. Flange (pressure filter head) | 11. Retainer |
| 4. Flanged-head bolt (1/4 x 3/4 inch) | 8. Flange (rate control valve) | |

2. Assemble the rate control valve manifold, gasket, and pressure filter head with a flange clamp and tighten by hand (Figure 123A).
3. Align a gasket between the flanges of the rate control valve and the agitation-valve manifold (Figure 123A).

4. Assemble the rate control valve manifold, gasket, and agitation-valve manifold with a flange clamp and tighten by hand (Figure 123A).
5. Assemble the rate control valve to the valve mount with the 2 flanged-head bolts and 2 flanged locknuts (Figure 123A) that you removed in step 3 of Removing the Rate Control Manifold Valve (page 77) and torque the nut and bolt to 10 to 12 N·m (90 to 110 in-lb).
6. Assemble the outlet fitting onto the coupling fitting at the bottom of the manifold for the rate control valve (Figure 123B).
7. Secure the outlet fitting coupling fitting by inserting a retainer into the socket of the outlet fitting (Figure 123B).
8. If you loosened the mounting hardware for the pressure filter head, tighten the nut and bolt to 10 to 12 N·m (90 to 110 in-lb).

Installing the Agitation Manifold Valve

1. Align the flange of the agitation-valve manifold, a gasket, and the flange of the agitation bypass valve (Figure 124).

Note: If needed, loosen the mounting hardware for the master-boom valve as needed to provide clearance.

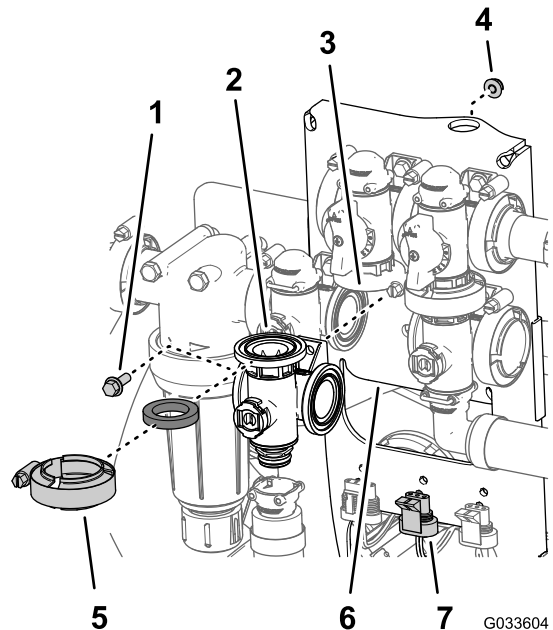


Figure 124

- | | |
|---------------------------------------|---|
| 1. Flanged-head bolt (1/4 x 3/4 inch) | 5. Flange clamp |
| 2. Gasket | 6. Valve mount |
| 3. Manifold (agitation valve) | 7. 3-pin connector (valve actuator—agitation valve) |
| 4. Flanged locknut (1/4 inch) | |

- Assemble the agitation bypass valve, gasket, and agitation-valve manifold with a flange clamp and tighten by hand (Figure 125).
- Align a gasket between the flanges of the rate control valve and the agitation-valve manifold (Figure 125A).

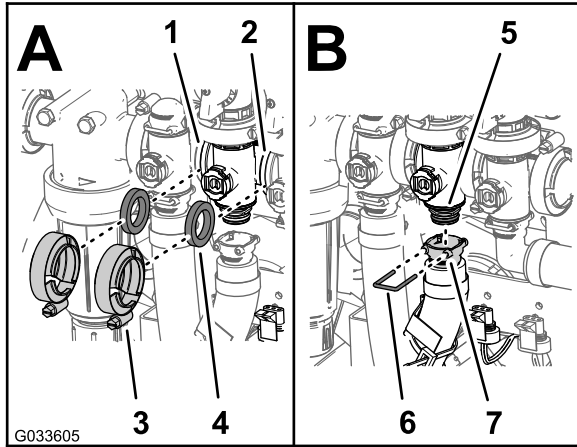


Figure 125

- | | |
|--------------------------------|------------------------------|
| 1. Flange (rate control valve) | 5. Coupling (manifold-valve) |
| 2. Flange (master-boom valve) | 6. Socket (outlet fitting) |
| 3. Flange clamp | 7. Retainer |
| 4. Gasket | |

Installing the Master Boom Manifold Valve

- Align the flange of the master-boom-valve manifold, a gasket, and the flange of the master-boom bypass valve (Figure 126).

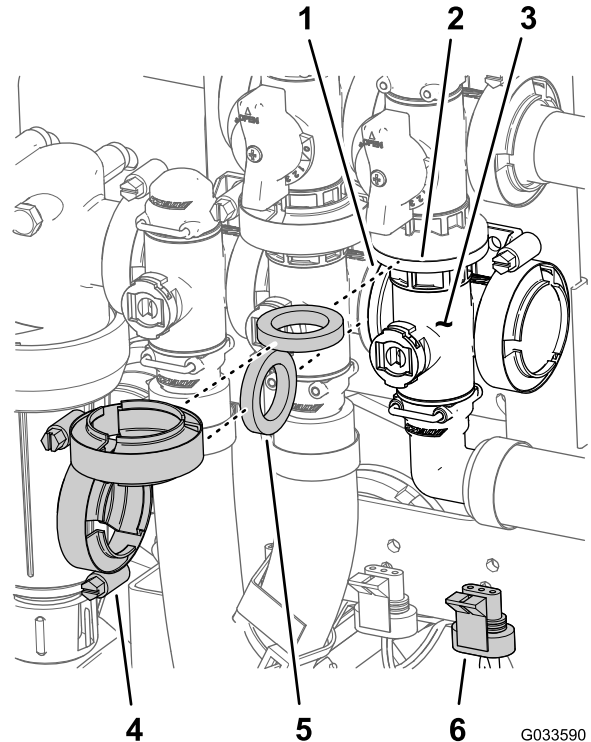


Figure 126

- | | |
|--------------------------------------|---|
| 1. Flange (agitation valve) | 4. Flange clamp |
| 2. Flange (bypass—master-boom valve) | 5. Gasket |
| 3. Manifold (master-boom valve) | 6. 3-pin connector (valve actuator—master-boom valve) |

- Assemble the rate control valve, gasket, and agitation-valve manifold with a flange clamp and tighten by hand (Figure 125A)
- Align a gasket between the flanges of the agitation-valve manifold and the master-boom valve (Figure 125A)
- Assemble the agitation-valve manifold, gasket, and master-boom valve with a flange clamp and tighten by hand (Figure 125A)
- Assemble the outlet fitting onto the coupling fitting at the at the bottom of the manifold for the agitation valve (Figure 125B)
- Secure the outlet fitting to the coupling fitting by inserting a retainer into the socket of the outlet fitting (Figure 125B)
- Assemble the agitation valve to the valve mount with the flanged-head bolt and flanged locknut (Figure 124) that you removed in step 3 of [Removing the Agitation Manifold Valve \(page 78\)](#) and torque the nut and bolt to 10 to 12 N·m (90 to 110 in-lb).
- If you loosened the mounting hardware for the master-boom valve, tighten the nut and bolt to 10 to 12 N·m (90 to 110 in-lb).

- Assemble the master-boom valve manifold, gasket, and master-boom bypass valve with a flange clamp tightened hand tight (Figure 126).
- Align the flange of the master-boom-valve manifold, a gasket, and the agitation-valve manifold (Figure 126).
- Assemble the master-boom-valve manifold, gasket, and agitation-valve manifold with a flange clamp and tighten by hand (Figure 126)
- Align the socket of the 90° outlet fitting onto the coupling fitting at the at the bottom of the manifold for the master-boom valve (Figure 127).

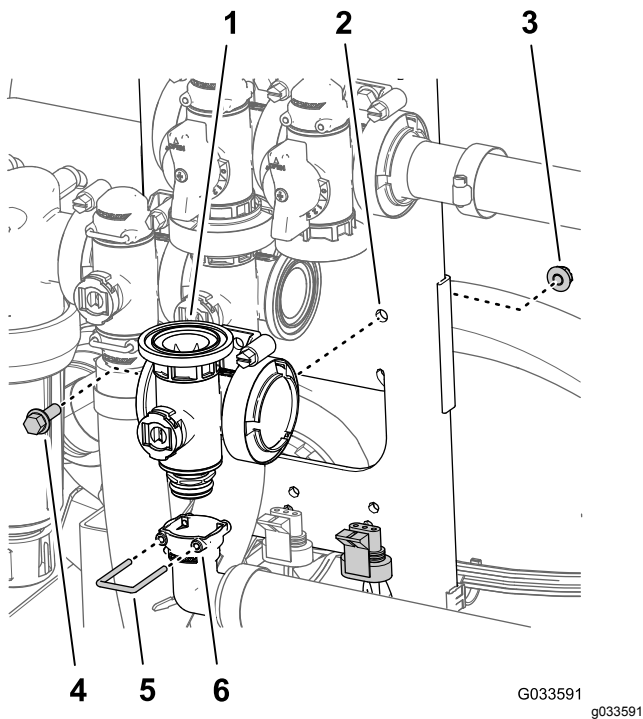


Figure 127

- | | |
|---------------------------------|---------------------------------------|
| 1. Manifold (master-boom valve) | 4. Flanged-head bolt (1/4 x 3/4 inch) |
| 2. Valve mount | 5. Retainer |
| 3. Flanged locknut (1/4 inch) | 6. Socket (90° outlet fitting) |

- Secure the outlet fitting coupling fitting by inserting a retainer into the socket of the outlet fitting (Figure 127).
- Assemble the agitation valve to the valve mount with the flanged-head bolt and flanged locknut (Figure 126) that you removed in step 3 of [Removing the Master Boom Manifold Valve \(page 79\)](#) and torque the nut and bolt to 10 to 12 N·m (90 to 110 in-lb).

Installing the Section Manifold Valve

- Insert the upper end-cap fitting of the manifold valve into the bypass fitting (Figure 128A).

Note: If needed, loosen the mounting hardware for the bypass fitting to provide clearance.

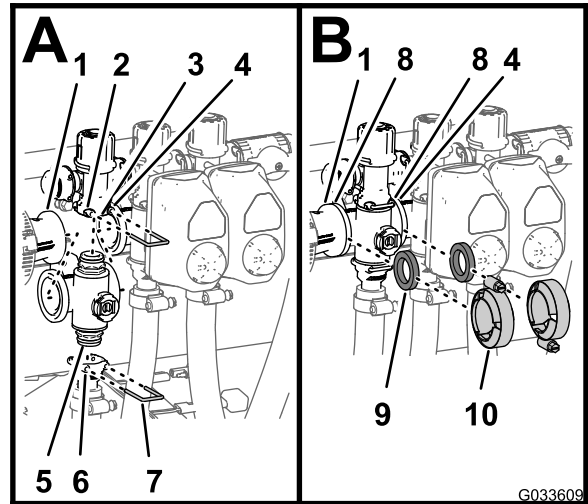


Figure 128

- | | |
|---|------------------------------------|
| 1. Flange (reducer coupling) | 6. Socket (outlet fitting) |
| 2. Socket (bypass fitting) | 7. Retainer |
| 3. Bypass fitting | 8. Flange (manifold—section valve) |
| 4. Flange (adjacent manifold—agitation valve) | 9. Gasket |
| 5. End-cap fitting (manifold valve assembly) | 10. Flange clamp |

- Secure the end-cap fitting to the bypass fitting by inserting a retainer into the socket of the bypass fitting (Figure 128A).
- Assemble the outlet fitting onto the lower end-cap fitting of the manifold valve (Figure 128A).
- Secure the end-cap fitting to the outlet fitting by inserting a retainer into the socket of the outlet fitting (Figure 128A).
- Align a gasket between the flanges of the reducer coupling and the section valve manifold (Figure 128B).
- Assemble the reducer coupling, gasket, and section valve manifold with a clamp and tighten by hand (Figure 128B).
- If installing the 2 left most section valves, align a gasket between the flanges of the 2 adjacent section valve manifolds (Figure 128B).
- Assemble the 2 adjacent section valve manifolds and gasket with a clamp and tighten by hand (Figure 128B).

9. For the left or right boom section valves, assemble the valves to the valve mount with the flanged-head bolt and flanged locknut that you removed in step 3 of [Removing the Section Manifold Valve \(page 80\)](#) and torque the nuts and bolts to 10 to 12 N·m (90 to 110 in-lb).
10. If you loosened the mounting hardware for the bypass fitting, tighten the nut and bolt to 10 to 12 N·m (90 to 110 in-lb).

Installing the Valve Actuator

1. Align the actuator to the manifold valve and ([Figure 109](#)).
2. Secure the actuator and valve with the retainer that you removed in step 3 of [Removing the Valve Actuator \(page 76\)](#).
3. Connect the 3-pin connector of the valve-actuator harness to the 3-socket connector of the wire harness of the sprayer.

Storage

1. Park the machine on a level surface, engage the parking brake, shut off the pump, shut off the engine, and remove the key.

Note: For HD- and HDX-Series Workman models with a manual transmission, disengage the PTO.

2. Clean dirt and grime from the entire machine, including the outside of the cylinder-head fins of the engine and blower housing.

Important: You can wash the machine with mild detergent and water. Do not use high-pressure water to wash the machine. Pressure washing may damage the electrical system or wash away necessary grease at friction points. Avoid excessive use of water, especially near the control panel, lights, engine, and the battery.

3. Condition the sprayer system as follows:
 - A. Drain the freshwater tank.
 - B. Drain the spray system as completely as possible.
 - C. Prepare rust inhibiting, non-alcohol based, RV antifreeze solution per the solution manufacturer's instructions.
 - D. Add the RV antifreeze solution to the freshwater tank and the sprayer tank.
 - E. Run the sprayer pump for a few minutes to circulate the RV antifreeze throughout the sprayer system and any installed spray accessories; refer to [Sprayer Pump \(page 43\)](#).
 - F. Drain the freshwater tank and spray system as completely as possible.
4. Use the boom-lift switches to raise the booms. Raise the booms until have moved completely into boom transport cradle forming the "X" transport position and the boom cylinders are fully retracted.

Note: Make sure that the boom cylinders are fully retracted to prevent actuator rod damage.

5. Perform the following maintenance steps for short-term or long-term storage:
 - **Short-term storage** (less than 30 days), clean the sprayer system; refer to [Cleaning the Sprayer \(page 59\)](#).
 - **Long-term storage** (longer then 30 days), perform the following:
 - A. Clean the sprayer valves; refer to [Cleaning the Sprayer Valves \(page 76\)](#).

- B. Grease the sprayer; refer to [Lubrication \(page 70\)](#).
- C. Check and tighten all bolts, nuts, and screws.
Note: Repair or replace any parts that are worn or damaged.
- D. Check the condition of all spray hoses.
Note: Replace any hoses that are worn or damaged.
- E. Tighten all hose fittings.
- F. Paint all scratched or bare metal surfaces with paint is available from your Authorized Service Dealer.
- G. Store the machine in a clean, dry garage or storage area.
- H. Remove the key from the starter switch and put the key in a safe place out of the reach of children.
- I. Cover the machine to protect it and keep it clean.

Removing the Sprayer and Tank Skid

Lifting equipment capacity: 408 kg (900 lb)

⚠ DANGER

The sprayer tank assembly presents a stored energy hazard. If not properly retained when installing or removing the assembly it can move or fall and injure you or bystanders.

Use straps and an overhead lift to support the sprayer tank assembly during installation, removal, or any maintenance whenever you remove the retaining fasteners.

Preparing the Center Console

1. Disconnect the battery cables from the battery; refer to [6 Disconnecting the Battery \(page 21\)](#).
2. Separate the fuse block of the sprayer from the fuse block of the machine and disconnect the wiring between the 2 fuse blocks; refer to [11 Installing the Sprayer Fuse Block \(page 25\)](#).
3. Remove the wire harness from J-clips; refer to [Routing the Rear Electrical Harness for the Sprayer to the Control Console \(page 24\)](#).
4. Loosen the hand knob that is located below the console and remove the hairpin; refer to

[Installing the Control Console to the Machine \(page 24\)](#).

5. Disconnect the terminals of the wires that connect the fuse block for the sprayer with the fuse block of the machine; refer to [11 Installing the Sprayer Fuse Block \(page 25\)](#).
6. Separate the fuse block for the sprayer from the fuse block for the machine; refer to [11 Installing the Sprayer Fuse Block \(page 25\)](#).
7. Remove the console from the console-mounting bracket at the dash of the machine and align the pivot pin on the control console with the storage bracket at the front tank strap ([Figure 129](#)); refer to [Installing the Control Console to the Machine \(page 24\)](#).

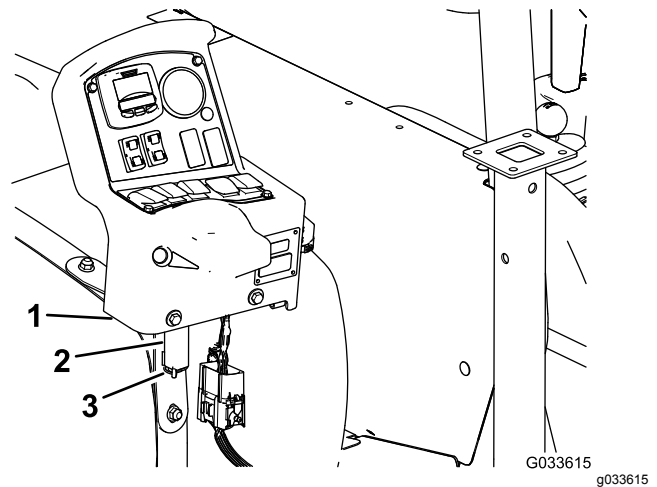


Figure 129

1. Control console
 2. Storage bracket (front sprayer-tank strap)
 3. Hairpin
-
8. Assemble the console to the bracket and secure the pivot pin to the bracket with the hairpin ([Figure 129](#)).

Installing the Jackstands

Lifting equipment capacity: 408 kg (900 lb)

1. Align the front jackstand with the jackstand receiver at the front of the tank (Figure 130).

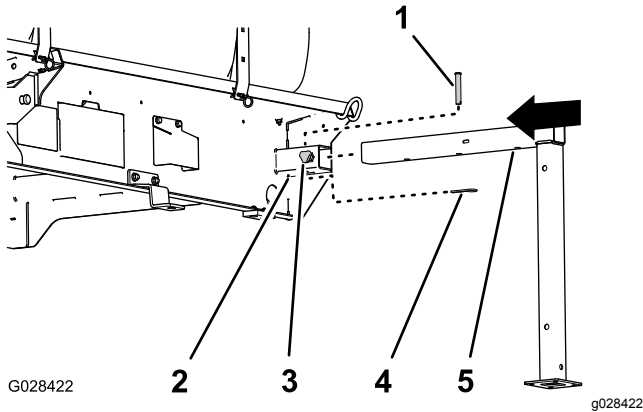


Figure 130

- | | |
|------------------------------|----------------------------------|
| 1. Clevis pin (1/2 x 3 inch) | 4. Hairpin (5/32 x 2-5/8 inches) |
| 2. Jackstand receiver | 5. Front jackstand |
| 3. Lock knob | |

2. Insert the jackstand into the receiver until the middle hole in the horizontal jackstand tube is aligned with the hole in the top of the receiver (Figure 130).
3. Insert the clevis pin (1/2 x 3 inches) into the holes in the jackstand and receiver and secure the clevis pin with a hairpin (5/32 x 2-5/8 inches).
4. Thread a lock knob into the receiver and tighten the knob by hand (Figure 130).
5. Align the rear jackstand with the rear jackstand receiver (Figure 131).

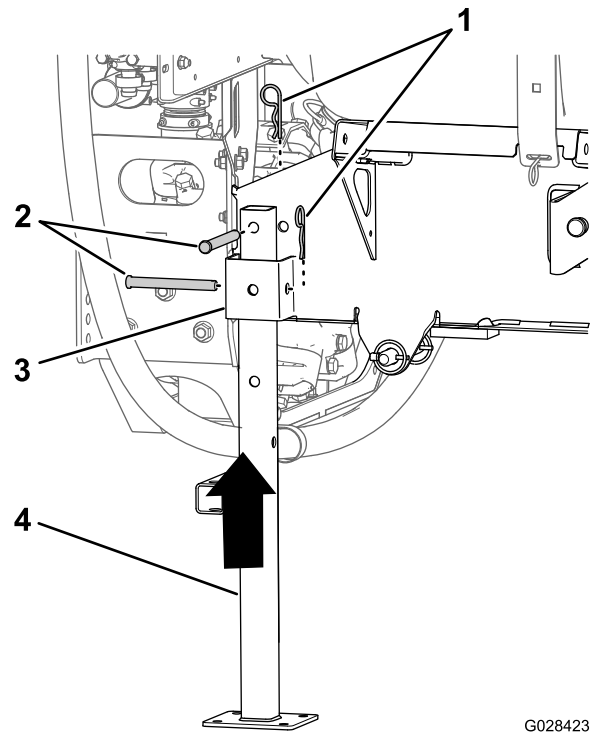


Figure 131

- | | |
|------------------------------------|-----------------------|
| 1. Hairpin (5/32 x 2-5/8 inches) | 3. Jackstand receiver |
| 2. Clevis pin (1/2 x 4-1/2 inches) | 4. Rear jackstand |

6. Align the hole in the top of the jackstand with the hole in the frame of the tank skid (Figure 131)
7. Secure the jackstand to the receiver and the frame with 2 clevis pins (1/2 x 4-1/2 inches) and 2 hairpins (5/32 x 2-5/8 inches) as shown in Figure 131.
8. Repeat steps 1 through 7 for the front and rear jackstands at the other side of the tank skid.

Removing the Sprayer Skid

1. Lower the booms to approximately 45° and then pivot them forward ([Figure 132](#)).

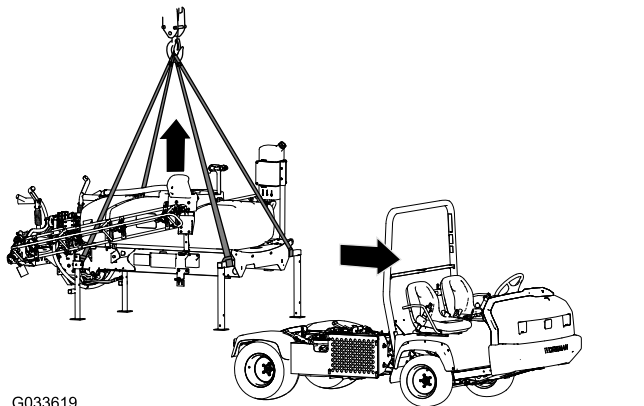


Figure 132

pins securing the lift cylinders to the tank assembly.

7. Lift the tank skid from the machine high enough to clear the skid from the machine ([Figure 132](#)).
8. Carefully move the vehicle forward and away from the tank skid.
9. Slowly lower the skid tank to the ground.

2. Remove the 2 bolts (1/2 x 1-1/2 inches) and 2 locknuts (1/2 inch) that secure the hold down bracket of the tank skid assembly to the bed bracket on the frame at each side of the machine; refer to [13 Lowering the Tank Skid \(page 30\)](#).
3. Raise the tank skid with the lift cylinders, install the cylinder lock, and perform the following:

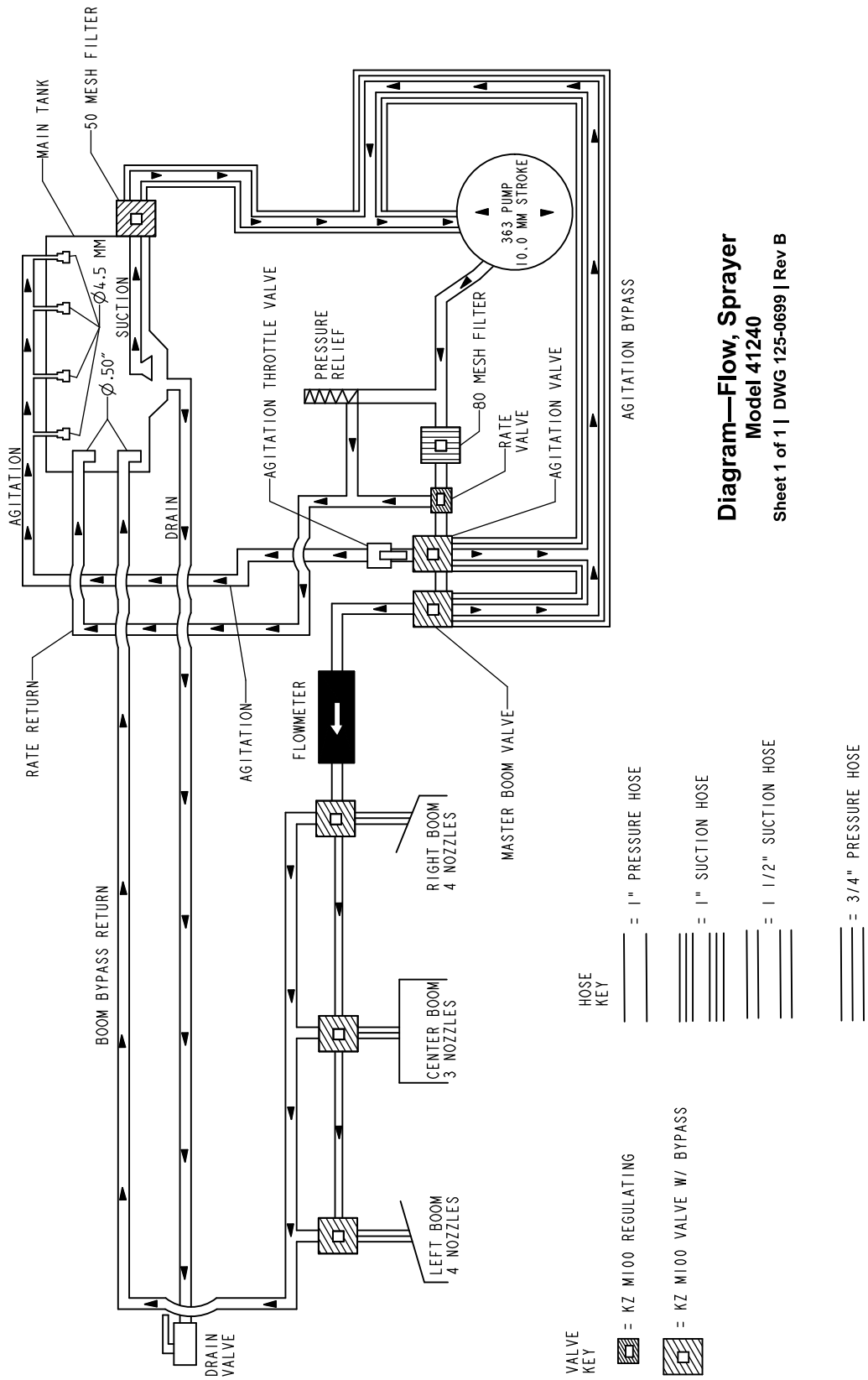
Note: Refer to [Raising the Tank Assembly \(page 69\)](#).

- For HD- and HDX-Series Workman models with a manual transmission, disconnect the PTO shaft from the transaxle PTO; refer to the installation instructions for the Multi Pro WM Turf Sprayer Finishing Kit, Manual Workman Utility Vehicle.
 - For HDX Workman with a automatic transmission, disconnect the hoses at the high-flow hydraulic panel and cap the fittings; refer to the installation instructions for the Multi Pro WM Turf Sprayer Finishing Kit, Automatic Workman Utility Vehicle.
 - Disconnect the speed sensor wiring; refer to [Connecting the Speed Sensor Harness \(HD-Series Models with a Manual Transmission\) \(page 22\)](#) and [Connecting the Speed Sensor Harness \(HDX-Auto Model\) \(page 22\)](#).
4. Remove the cylinder lock and lower the tank skid with the lift cylinders; refer to [Lowering the Tank Assembly \(page 70\)](#).
 5. Attach the lifting equipment to the horizontal tubes of the forward jackstands and the vertical post of the rear jackstands ([Figure 132](#)).
 6. Lift the tank assembly 7.5 to 10 cm (3 to 4 inches), and remove the lynch pins and clevis

Troubleshooting

| Problem | Possible Cause | Corrective Action |
|---|--|--|
| A boom section does not spray. | <ol style="list-style-type: none"> 1. The electrical connection on the boom valve is dirty or disconnected. 2. A fuse has blown. 3. There is a pinched hose. 4. A boom bypass valve is improperly adjusted. 5. One of the boom valves is damaged. 6. The electrical system is damaged. | <ol style="list-style-type: none"> 1. Turn the valve off manually. Disconnect the electrical connector on the valve and clean all leads, then reconnect it. 2. Check the fuses and replace them as necessary. 3. Repair or replace the hose. 4. Adjust the boom bypass valves. 5. Contact your Authorized Service Dealer. 6. Contact your Authorized Service Dealer. |
| A boom section does not turn off. | <ol style="list-style-type: none"> 1. The boom-section valve is damaged. | <ol style="list-style-type: none"> 1. Disassemble the boom-section valve; refer to the section Cleaning the Sprayer Valves. Inspect all of the parts and replace any that are damaged. |
| A boom valve is leaking. | <ol style="list-style-type: none"> 1. A seal is worn or damaged. | <ol style="list-style-type: none"> 1. Disassemble the valve and replace the seals using the Valve Repair Kit; contact your Authorized Service Dealer. |
| A pressure drop occurs when you turn on a boom. | <ol style="list-style-type: none"> 1. The boom bypass valve is improperly adjusted. 2. There is an obstruction in the boom valve body. 3. A nozzle filter is damaged or clogged. | <ol style="list-style-type: none"> 1. Adjust the boom bypass valve. 2. Remove the inlet and outlet connections to the boom valve and remove any obstructions. 3. Remove and inspect all nozzles. |

Schematics



Flow Diagram, Sprayer System (Rev. B)

g209531

Notes:

Notes:

Notes:

European Privacy Notice

The Information Toro Collects

Toro Warranty Company (Toro) respects your privacy. In order to process your warranty claim and contact you in the event of a product recall, we ask you to share certain personal information with us, either directly or through your local Toro company or dealer.

The Toro warranty system is hosted on servers located within the United States where privacy law may not provide the same protection as applies in your country.

BY SHARING YOUR PERSONAL INFORMATION WITH US, YOU ARE CONSENTING TO THE PROCESSING OF YOUR PERSONAL INFORMATION AS DESCRIBED IN THIS PRIVACY NOTICE.

The Way Toro Uses Information

Toro may use your personal information to process warranty claims, to contact you in the event of a product recall and for any other purpose which we tell you about. Toro may share your information with Toro's affiliates, dealers or other business partners in connection with any of these activities. We will not sell your personal information to any other company. We reserve the right to disclose personal information in order to comply with applicable laws and with requests by the appropriate authorities, to operate our systems properly or for our own protection or that of other users.

Retention of your Personal Information

We will keep your personal information as long as we need it for the purposes for which it was originally collected or for other legitimate purposes (such as regulatory compliance), or as required by applicable law.

Toro's Commitment to Security of Your Personal Information

We take reasonable precautions in order to protect the security of your personal information. We also take steps to maintain the accuracy and current status of personal information.

Access and Correction of your Personal Information

If you would like to review or correct your personal information, please contact us by email at legal@toro.com.

Australian Consumer Law

Australian customers will find details relating to the Australian Consumer Law either inside the box or at your local Toro Dealer.



The Toro Warranty

A Two-Year Limited Warranty

Conditions and Products Covered

The Toro Company and its affiliate, Toro Warranty Company, pursuant to an agreement between them, jointly warrant your Toro Commercial product ("Product") to be free from defects in materials or workmanship for two years or 1500 operational hours*, whichever occurs first. This warranty is applicable to all products with the exception of Aerators (refer to separate warranty statements for these products). Where a warrantable condition exists, we will repair the Product at no cost to you including diagnostics, labor, parts, and transportation. This warranty begins on the date the Product is delivered to the original retail purchaser.

* Product equipped with an hour meter.

Instructions for Obtaining Warranty Service

You are responsible for notifying the Commercial Products Distributor or Authorized Commercial Products Dealer from whom you purchased the Product as soon as you believe a warrantable condition exists. If you need help locating a Commercial Products Distributor or Authorized Dealer, or if you have questions regarding your warranty rights or responsibilities, you may contact us at:

Toro Commercial Products Service Department
Toro Warranty Company
8111 Lyndale Avenue South
Bloomington, MN 55420-1196
952-888-8801 or 800-952-2740
E-mail: commercial.warranty@toro.com

Owner Responsibilities

As the Product owner, you are responsible for required maintenance and adjustments stated in your *Operator's Manual*. Failure to perform required maintenance and adjustments can be grounds for disallowing a warranty claim.

Items and Conditions Not Covered

Not all product failures or malfunctions that occur during the warranty period are defects in materials or workmanship. This warranty does not cover the following:

- Product failures which result from the use of non-Toro replacement parts, or from installation and use of add-on, or modified non-Toro branded accessories and products. A separate warranty may be provided by the manufacturer of these items.
- Product failures which result from failure to perform recommended maintenance and/or adjustments. Failure to properly maintain your Toro product per the Recommended Maintenance listed in the *Operator's Manual* can result in claims for warranty being denied.
- Product failures which result from operating the Product in an abusive, negligent, or reckless manner.
- Parts subject to consumption through use unless found to be defective. Examples of parts which are consumed, or used up, during normal Product operation include, but are not limited to, brake pads and linings, clutch linings, blades, reels, rollers and bearings (sealed or greasable), bed knives, spark plugs, castor wheels and bearings, tires, filters, belts, and certain sprayer components such as diaphragms, nozzles, and check valves, etc.
- Failures caused by outside influence. Conditions considered to be outside influence include, but are not limited to, weather, storage practices, contamination, use of unapproved fuels, coolants, lubricants, additives, fertilizers, water, or chemicals, etc.
- Failure or performance issues due to the use of fuels (e.g. gasoline, diesel, or biodiesel) that do not conform to their respective industry standards.

Countries Other than the United States or Canada

Customers who have purchased Toro products exported from the United States or Canada should contact their Toro Distributor (Dealer) to obtain guarantee policies for your country, province, or state. If for any reason you are dissatisfied with your Distributor's service or have difficulty obtaining guarantee information, contact the Toro importer.

- Normal noise, vibration, wear and tear, and deterioration.
- Normal "wear and tear" includes, but is not limited to, damage to seats due to wear or abrasion, worn painted surfaces, scratched decals or windows, etc.

Parts

Parts scheduled for replacement as required maintenance are warranted for the period of time up to the scheduled replacement time for that part. Parts replaced under this warranty are covered for the duration of the original product warranty and become the property of Toro. Toro will make the final decision whether to repair any existing part or assembly or replace it. Toro may use remanufactured parts for warranty repairs.

Deep Cycle and Lithium-Ion Battery Warranty:

Deep cycle and Lithium-Ion batteries have a specified total number of kilowatt-hours they can deliver during their lifetime. Operating, recharging, and maintenance techniques can extend or reduce total battery life. As the batteries in this product are consumed, the amount of useful work between charging intervals will slowly decrease until the battery is completely worn out. Replacement of worn out batteries, due to normal consumption, is the responsibility of the product owner. Battery replacement may be required during the normal product warranty period at owner's expense. Note: (Lithium-Ion battery only): A Lithium-Ion battery has a part only prorated warranty beginning year 3 through year 5 based on the time in service and kilowatt hours used. Refer to the *Operator's Manual* for additional information.

Maintenance is at Owner's Expense

Engine tune-up, lubrication, cleaning and polishing, replacement of filters, coolant, and completing recommended maintenance are some of the normal services Toro products require that are at the owner's expense.

General Conditions

Repair by an Authorized Toro Distributor or Dealer is your sole remedy under this warranty.

Neither The Toro Company nor Toro Warranty Company is liable for indirect, incidental or consequential damages in connection with the use of the Toro Products covered by this warranty, including any cost or expense of providing substitute equipment or service during reasonable periods of malfunction or non-use pending completion of repairs under this warranty. Except for the Emissions warranty referenced below, if applicable, there is no other express warranty. All implied warranties of merchantability and fitness for use are limited to the duration of this express warranty.

Some states do not allow exclusions of incidental or consequential damages, or limitations on how long an implied warranty lasts, so the above exclusions and limitations may not apply to you. This warranty gives you specific legal rights, and you may also have other rights which vary from state to state.

Note regarding engine warranty:

The Emissions Control System on your Product may be covered by a separate warranty meeting requirements established by the U.S. Environmental Protection Agency (EPA) and/or the California Air Resources Board (CARB). The hour limitations set forth above do not apply to the Emissions Control System Warranty. Refer to the Engine Emission Control Warranty Statement supplied with your product or contained in the engine manufacturer's documentation for details.