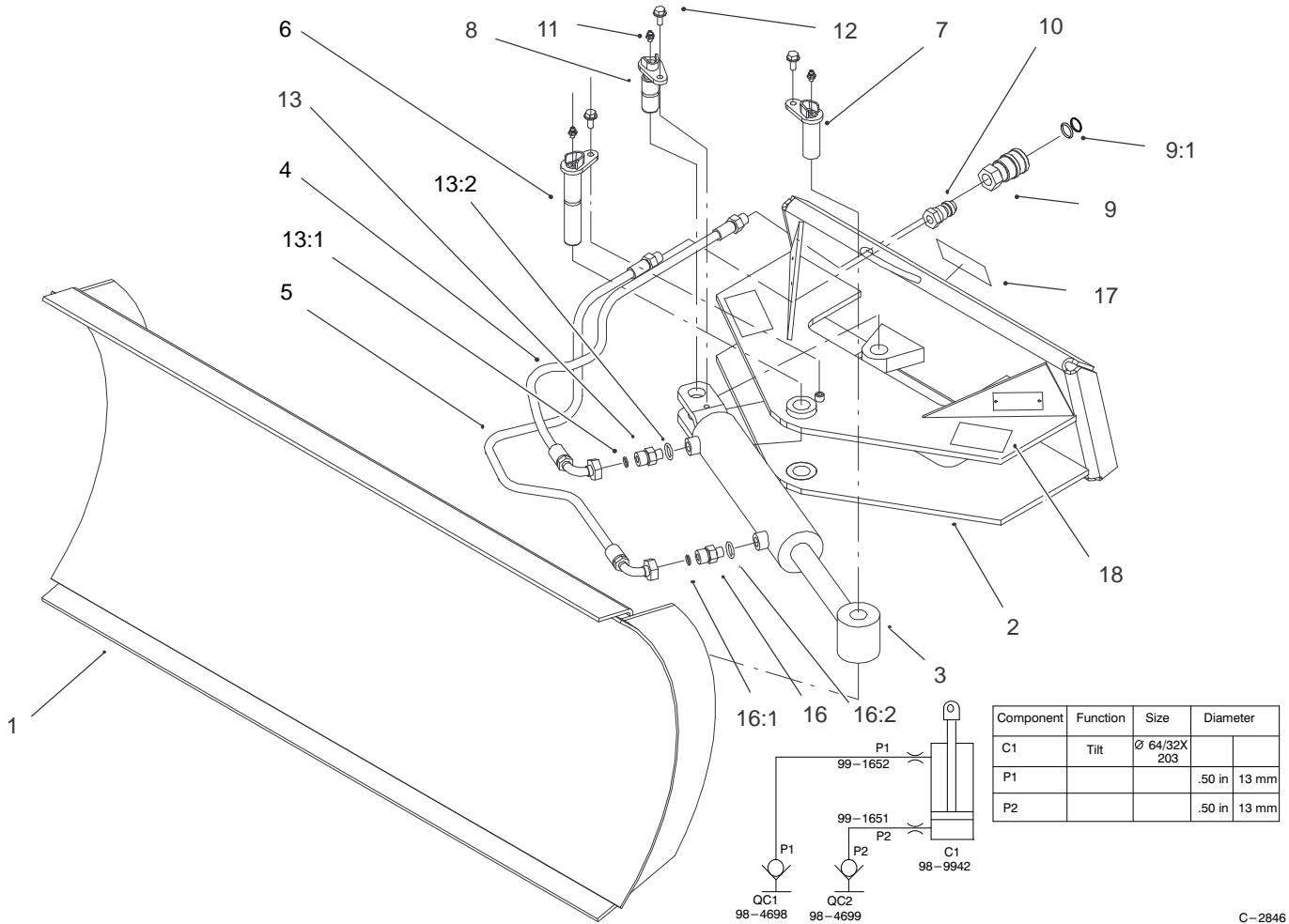




MODEL NO. 22414-890001 & UP

PARTS CATALOG

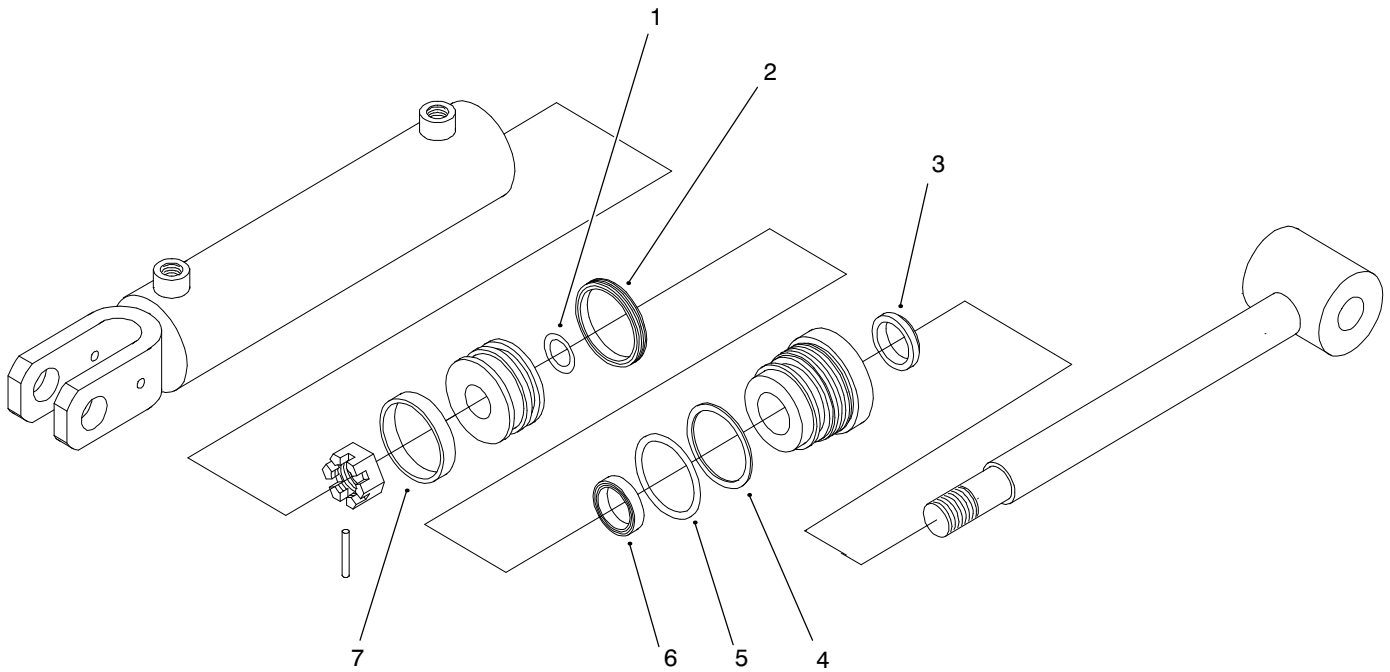
HYDRAULIC BLADE
for Toro Siteworks Systems



HYDRAULIC BLADE ASSEMBLY

Ref. No.	Part No.	Description	No. Used
1	98-8240	Blade	1
2	99-4306	Blade Pivot (Incl. Ref. #18)	1
3	98-9942	Hydraulic Cylinder	1
*	99-1352	Seal Kit for 98-9942	1
4	99-1651	Hose - Hydraulic	1
5	99-1652	Hose - Hydraulic	1
6	94-1598	Pivot Pin	1
7	94-9797	Pivot Pin	1
8	98-4870	Pivot Pin	1
9	98-4699	Female - Quick Disconnect	1
9:1	100-4165	Seal Kit	

Ref. No.	Part No.	Description	No. Used
10	98-4698	Male - Quick Disconnect	1
11	302-5	Fitting - Grease	3
12	32144-70	Screw - Tap	3
13	340-5	Fitting - Hydraulic	1
13:1	237-30	O-Ring	1
13:2	237-42	O-Ring	1
16	99-1650	Straight Connector - Hyd.	1
16:1	237-30	O-Ring	1
16:2	237-42	O-Ring	1
17	98-4683	Decal - Dingo	1
18	100-4650	Decal - Warning	2



c-2767

HYDRAULIC CYLINDER ASSEMBLY

Ref. No.	Part No.	Description	No. Used
†1		O-Ring	1
†2		PSP Seal	1
†3		Rod - Wiper	1
†4		Backup Wiper	1
†5		O-Ring	1

Ref. No.	Part No.	Description	No. Used
†6		Polypak	1
†7		Wear Ring	1
*	99-1352	Seal Kit (Incl. Ref. #1-7)	

* Not Illustrated
 † Not Serviced Separately