



**Count on it.**

**Parts Catalog**

**Super Recycler®**

**Lawn Mower**

Model No. 21382—Serial No. 40000000 and Up



# Ordering Replacement Parts

To order replacement parts, please supply the part number, the quantity, and the description of each part desired.

## Understanding Reference Numbers

Each identified part in an illustration has a reference number. The reference number for a part also appears in the parts list, along with other information about the part.

This catalog uses two special reference number formats, one to indicate parts in a service assembly and another to indicate the quantity of a given part in an illustration.

## Service Assembly Reference Numbers

Parts in service assemblies have reference numbers in the form a:b. The a represents the reference number of the entire service assembly and the b represents a sequential number unique to each part within the service assembly.

For example, a wheel assembly might be identified by reference number 6, the tire by 6:1, the valve by 6:2, and the wheel by 6:3. When you order the assembly identified by reference number 6, you receive all parts identified by reference numbers 6:1, 6:2, and 6:3. However, you may also order any part individually. Reference numbers of this type appear in illustration and in parts lists.

## Reference Numbers Indicating Quantity

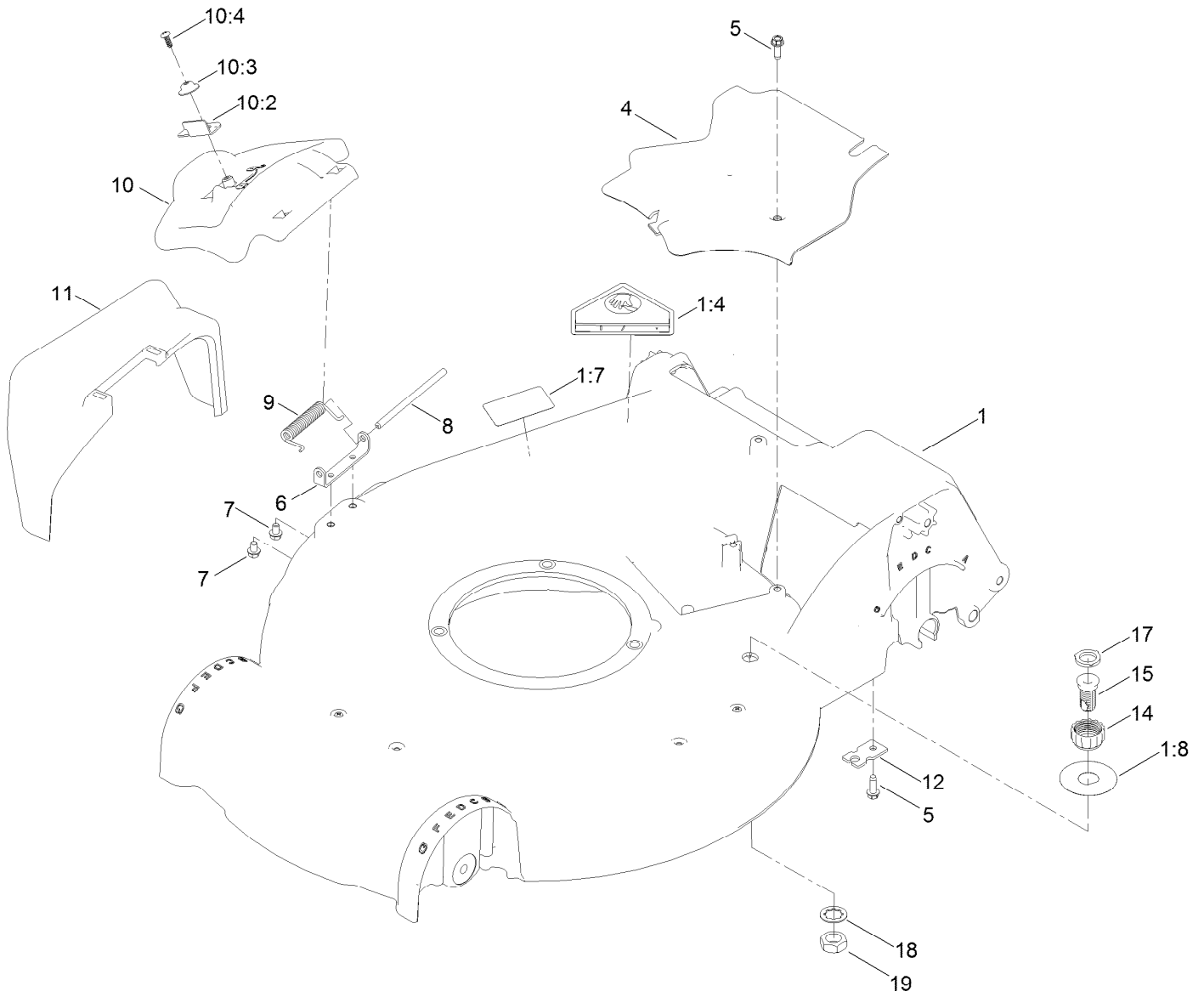
In an illustration, if a reference number indicates more than one part, the reference number has the form nX y. The n represents the quantity of the part, the X is the multiplication symbol, and the y represents the reference number.

For example, in an illustration, the reference number 2X 37 means that two of the parts identified by reference number 37 are indicated.

# Contents

Housing Assembly .....	4
Mulch Plug Assembly .....	6
Bag Assembly .....	8
Engine and Blade Assembly .....	10
Front Wheel and Height-of-Cut Assembly .....	12
Transmission and Rear Wheel Height-of-Cut Assembly .....	14
Handle Assembly .....	16
Attachments and Accessories .....	18

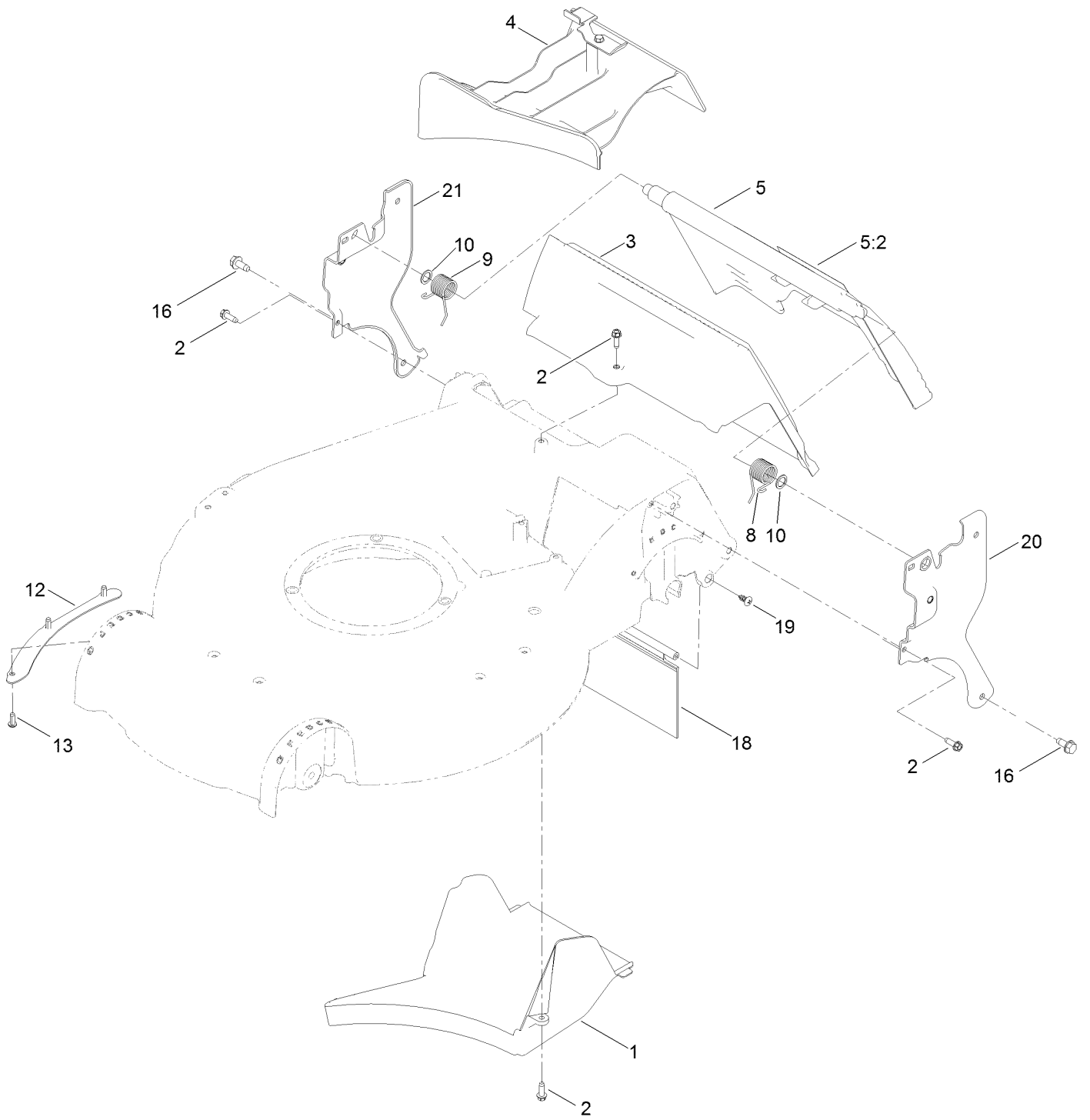
# Housing Assembly



## Housing Assembly (continued)

<i>Ref.</i>	<i>Part Number</i>	<i>Qty.</i>	<i>Description</i>	<i>Ref.</i>	<i>Part Number</i>	<i>Qty.</i>	<i>Description</i>
1	140-3768	1	Housing ASM	10:2	138-3221	1	Latch-Door
1:4	94-8072	1	Decal-Danger	10:3	138-3242	1	Cap-Door
1:7	125-5092	1	Decal-Placement, Foot	10:4	137-9137	1	Screw-PPH
1:8	137-9196	1	Decal-Quick Wash	11	108-3753	1	Chute-Discharge, Side
4	107-7494	1	Cover-Belt	12	138-3224	1	Bracket-Cable, Traction
5	49-2040	2	Screw-HWHTF	14	112-6401	1	Coupling-Hose, Washout Port
6	112-6416	1	Bracket-Cover	15	112-6400	1	Port-Washout
7	137-4795	2	Screw	17	112-6438	1	Washer-Seal, Washout Port
8	99-5291	1	Rod-Cover	18	3254-5	1	Washer-Lock
9	99-5293	1	Spring-Torsion	19	3218-6	1	Nut-Jam
10	107-3717	1	Discharge Door ASM				

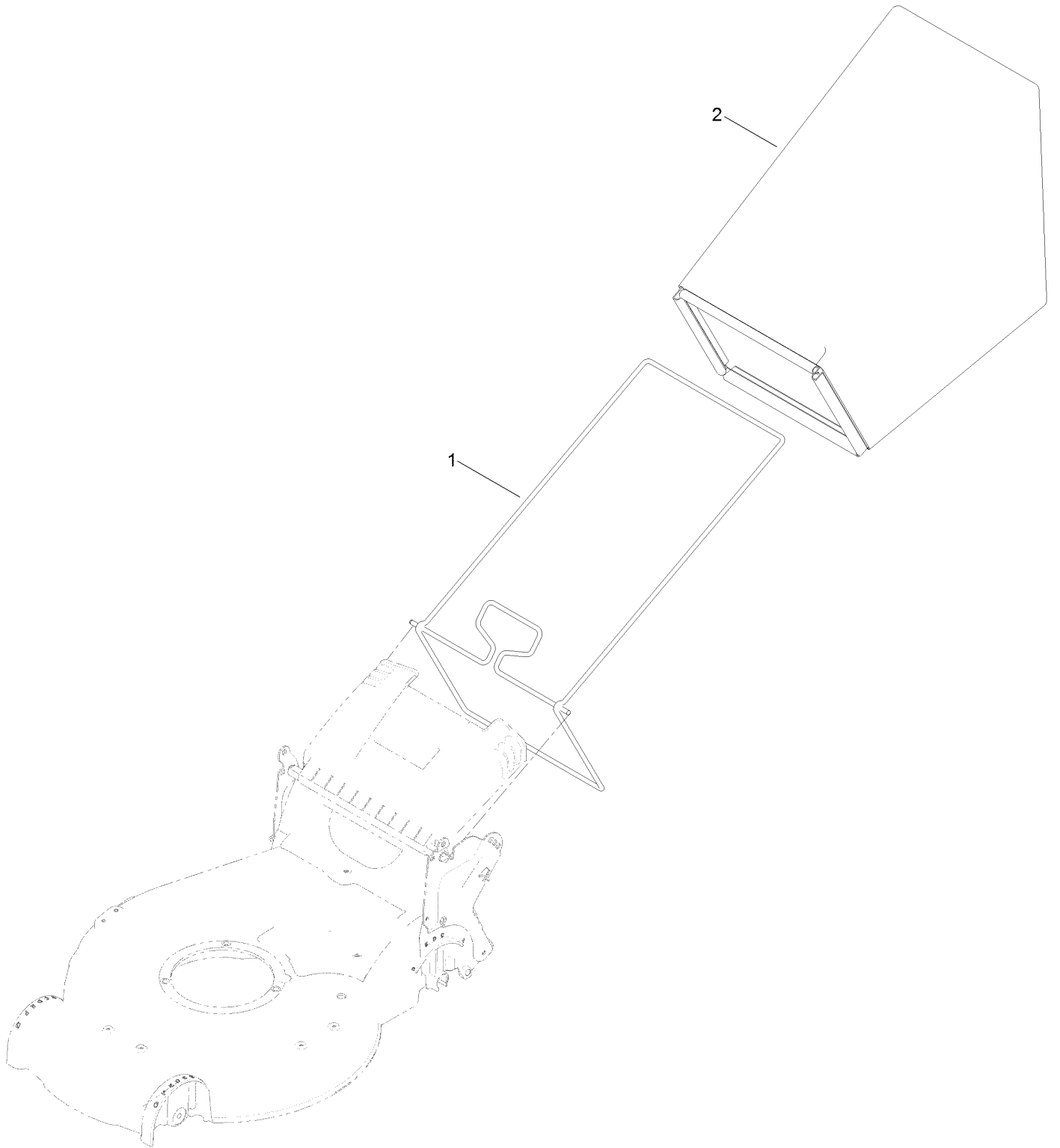
# Mulch Plug Assembly



## Mulch Plug Assembly (continued)

<i>Ref.</i>	<i>Part Number</i>	<i>Qty.</i>	<i>Description</i>	<i>Ref.</i>	<i>Part Number</i>	<i>Qty.</i>	<i>Description</i>
1	107-7495	1	Tunnel-Discharge	10	94-8196	2	Washer-Nylon
2	49-2040	5	Screw-HWHTF	12	105-1316-01	1	Lip-Housing
3	114-2668	1	Chute	13	63-8590	3	Screw
4	115-8413	1	Mulch Plug ASM	16	32144-70	2	Screw-HWHTF
5	137-9139	1	Rear Door ASM	18	120-7011	1	Shield-Trailing
5:2	131-4514	1	Decal-Warning	19	117-1092	2	Screw-PTH
8	115-2859	1	Spring-Torsion	20	137-9108	1	Plate-Handle, LH
9	114-7924	1	Spring-Torsion	21	137-9107	1	Plate-Handle, RH

# Bag Assembly

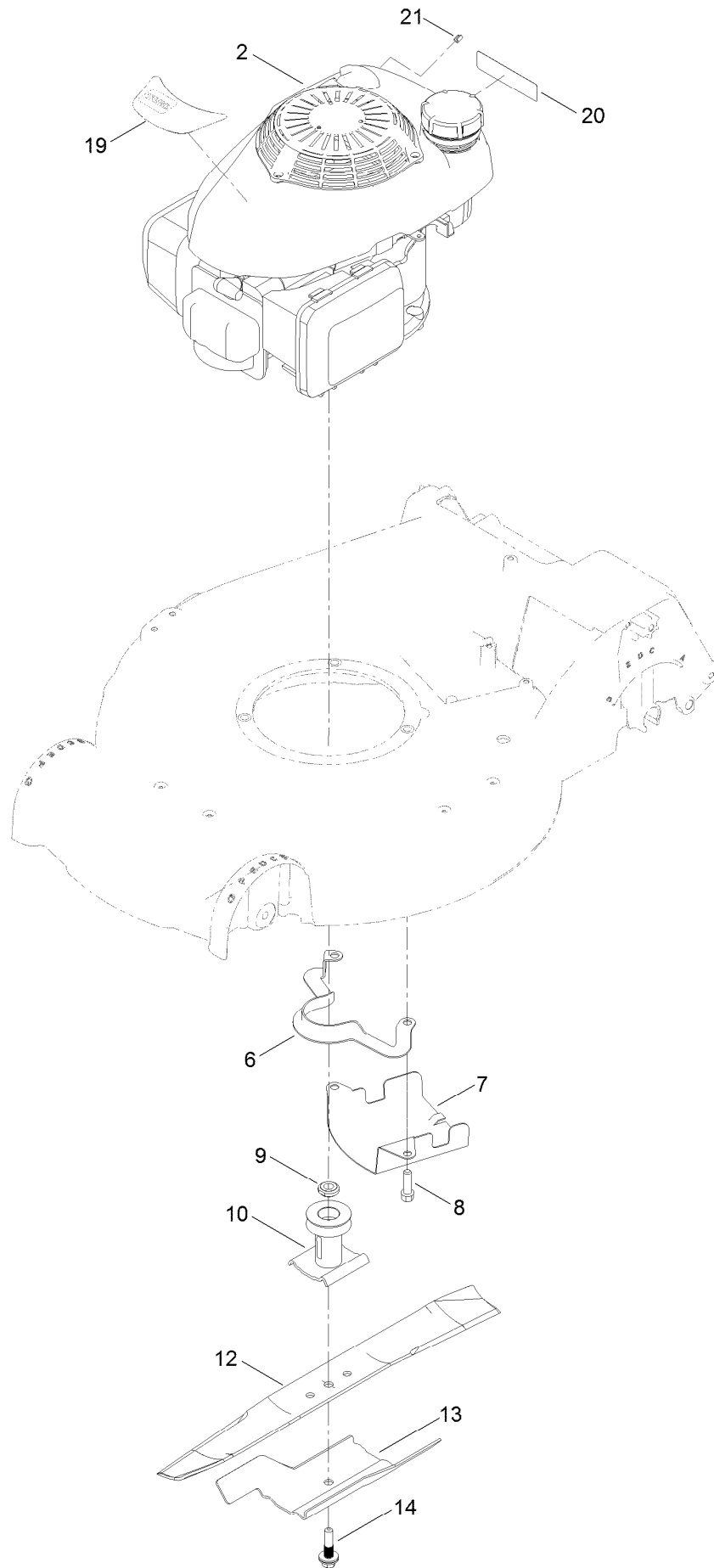




## Bag Assembly (continued)

<i>Ref.</i>	<i>Part Number</i>	<i>Qty.</i>	<i>Description</i>
1	132-4529-03	1	Bag Frame ASM
2	114-2664	1	Grass Bag ASM

# Engine and Blade Assembly



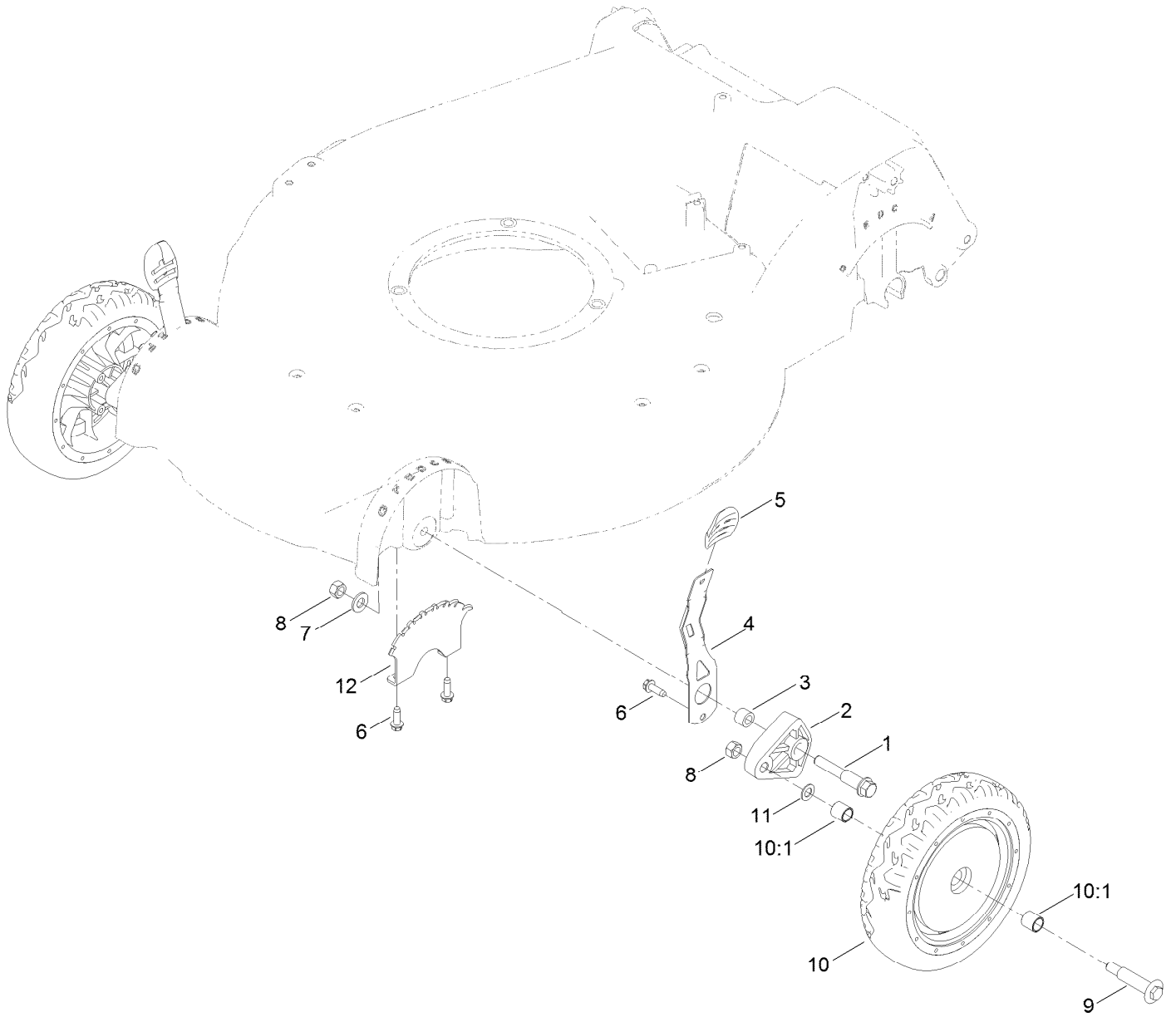
## Engine and Blade Assembly (continued)

<i>Ref.</i>	<i>Part Number</i>	<i>Qty.</i>	<i>Description</i>	<i>Ref.</i>	<i>Part Number</i>	<i>Qty.</i>	<i>Description</i>
2		1	Engine-Honda, Gcv160La0 S3B ●■	12	133-8183-03	1	Blade-Recycling, 21In
6	108-8110-03	1	Guide-Belt	13	105-6848-01	1	Accelerator-Blade
7	107-7489-03	1	Shield-Grass	14	117-5270	1	Bolt-Blade
8	95-1727	3	Screw-Taptite	19	140-3822	1	Decal-Shroud, Honda
9	106-3999	1	Spacer-Driver	20	133-8062	1	Decal-Arrestor, Spark
10	114-2774	1	Driver-Blade	21	2210-316	1	Stop-Rope

● Not serviced separately

■ Obtain parts from [www.honda-engines.com](http://www.honda-engines.com)

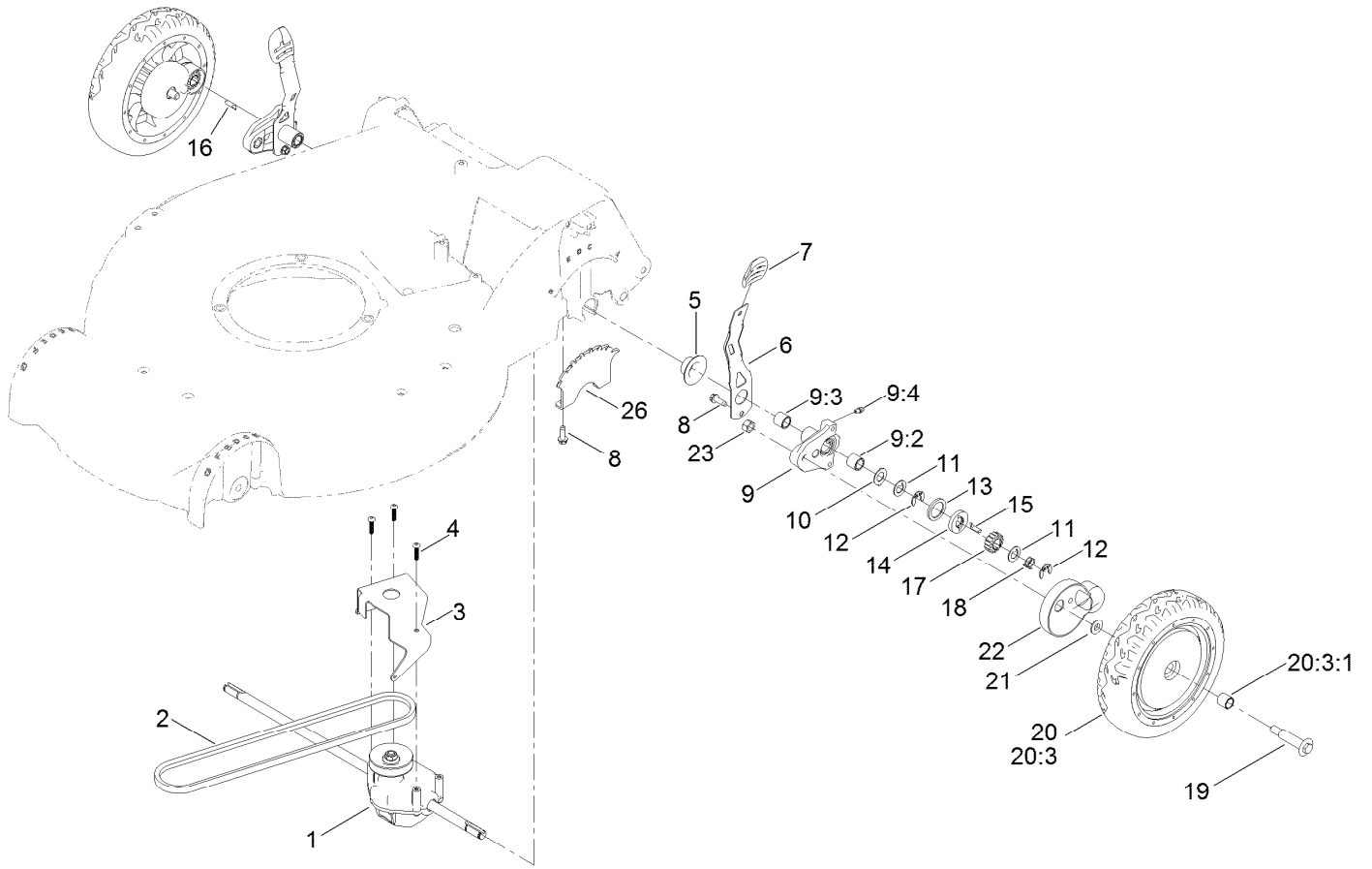
# Front Wheel and Height-of-Cut Assembly



## Front Wheel and Height-of-Cut Assembly (continued)

<i>Ref.</i>	<i>Part Number</i>	<i>Qty.</i>	<i>Description</i>	<i>Ref.</i>	<i>Part Number</i>	<i>Qty.</i>	<i>Description</i>
1	114-3467	2	Screw-Shoulder	8	603773	4	Locknut
2	107-7492	2	Arm-Pivot	9	92-1057	2	Bolt-Shoulder
3	52-2480	2	Spacer-Wheel	10	140-1294	2	Wheel ASM
4	107-7491	2	Arm-Spring	10:1	27-6250	2	Bushing
5	105-3042	2	Knob-Lever, HOC	11	40-1940	2	Washer
6	49-2040	6	Screw-HWHTF	12	139-1669-01	2	Plate-HOC
7	3256-24	2	Washer-Flat				

# Transmission and Rear Wheel Height-of-Cut Assembly

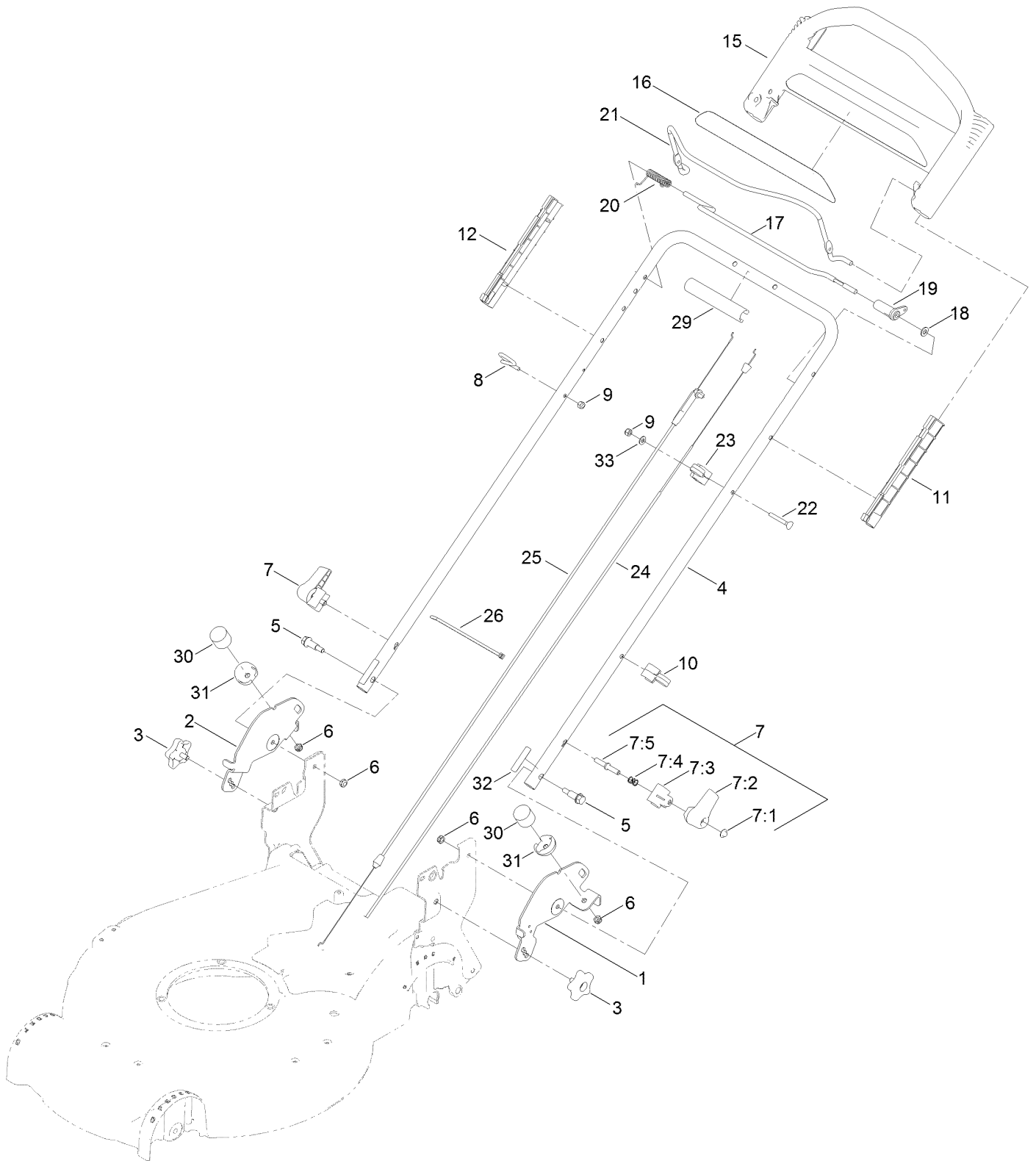


## Transmission and Rear Wheel Height-of-Cut Assembly (continued)

<i>Ref.</i>	<i>Part Number</i>	<i>Qty.</i>	<i>Description</i>	<i>Ref.</i>	<i>Part Number</i>	<i>Qty.</i>	<i>Description</i>
1	121-9184	1	Transmission ASM	13	65-4710	2	Ring-Friction
2	115-4669	1	Belt-V	14	65-4760	2	Washer-Clutch
3	114-7977-03	1	Bracket-Transmission	15	139-6644	1	Key-Rocking, L.H.
4	108-7476	3	Screw-Plastite	16	139-6643	1	Key-Rocking, R.H.
5	138-3235	2	Cap-End	17	65-4750	2	Gear-Pinion
6	107-7491	2	Arm-Spring	18	65-4720	2	Spring-Compression
7	105-3042	2	Knob-Lever, HOC	19	92-1057	2	Bolt-Shoulder
8	49-2040	6	Screw-HWHTF	20	140-1295	2	Wheel Gear ASM
9	100-8774	2	Pivot Arm ASM	20:3		1	Wheel ASM ●
9:2	47-2900	1	Bushing	20:3:1	27-6250	2	Bushing
9:3	70-9760	1	Bushing	21	74-1671	2	Spacer-Cover, Wheel
9:4	302-56	1	Fitting-Grease	22	74-1660	2	Cover-Wheel
10	65-4730	2	Washer-Arm, Pivot	23	603773	2	Locknut
11	65-4740	4	Washer-Thrust, Keyed	26	139-1669-01	2	Plate-HOC
12	65-2720	4	Ring-Retaining, Clip				

● Not serviced separately

# Handle Assembly





## Handle Assembly (continued)

<i>Ref.</i>	<i>Part Number</i>	<i>Qty.</i>	<i>Description</i>	<i>Ref.</i>	<i>Part Number</i>	<i>Qty.</i>	<i>Description</i>
1	137-4845-03	1	Bracket-Float, LH	15	104-8678	1	Handle-Control
2	137-4846-03	1	Bracket-Float, RH	16	140-3821	1	Decal
3	137-4844	2	Knob-Handle	17	136-7150	1	Bar-Control, Traction
4	137-4793-05	1	Handle-Upper	18	3256-23	1	Washer-Plain
5	130-2344	2	Bolt-Shoulder	19	99-1589	1	Lever-Traction
6	3296-47	4	Nut-Lock, NI	20	136-7166	1	Spring-Torsion
7	138-3249	2	Quick Release ASM	21	131-0880-03	1	Bail-Brake
7:1	32112-11	1	Nut-Push	22	95-4453	1	Screw
7:2	138-3248	1	Lever-Release	23	136-5864	1	Anchor-Cable
7:3	138-3253	1	Anchor-Spring	24	117-9389	1	Cable-Traction
7:4	115-2858	1	Spring-Compression	25	120-3921	1	Cable-Brake
7:5	138-3243	1	Rod-Release	26	614249	3	Tie-Cable
8	86-9671	1	Guide-Rope	29	131-4551	1	Cover-Handle
9	3296-73	2	Nut-Lock, NI	30	137-4803	2	Bumper-Rubber
10	114-7988	1	Guide-Cable	31	137-9100	2	Cover-Bumper
11	105-6842	1	Guide-LH	32	140-3827	2	Decal-Flex
12	105-6841	1	Guide-RH	33	3256-1	1	Washer-Flat

# Attachments and Accessories

## For 21382 Super Recycler Lawn Mower

<b>Product Name</b>	<b>Model/Part</b>
Bagging Blade .....	108-3759-03
Fuel Stabilizer .05 oz .....	130-2393
WPM Maintenance Kit, 2014 and Newer .....	130-8134
4-Cycle Fuel, Snow And Lawn 32oz Can .....	131-3823
Traction Assist Handle Kit .....	131-4590
Toro Premium Fuel Treatment 12 Oz Bottle .....	131-6572
Oil-30/10W-30 Synthetic (Quart).....	138-6053
Lawn Striping Kit with 22in Roller.....	20601
Toro 4-Cycle SAE 30 Oil (32oz Bottle) .....	38903
Summer Oil-Case of 24 (20oz Bottles).....	38916
Bag-Walk Behind (Toro).....	490-7318
Lawnmower Cover .....	490-7462
Bagger Kit.....	59165

**Notes:**



**Count on it.**