



**Count on it.**

**Parts Catalog**

**Slope Sensor Kit**

**T4240, CT2240, or LT3340 Turf Mower  
Traction Unit**

**Model No. 02945**



# Ordering Replacement Parts

To order replacement parts, please supply the part number, the quantity, and the description of each part desired.

## Understanding Reference Numbers

Each identified part in an illustration has a reference number. The reference number for a part also appears in the parts list, along with other information about the part.

This catalog uses two special reference number formats, one to indicate parts in a service assembly and another to indicate the quantity of a given part in an illustration.

## Service Assembly Reference Numbers

Parts in service assemblies have reference numbers in the form a:b. The a represents the reference number of the entire service assembly and the b represents a sequential number unique to each part within the service assembly.

For example, a wheel assembly might be identified by reference number 6, the tire by 6:1, the valve by 6:2, and the wheel by 6:3. When you order the assembly identified by reference number 6, you receive all parts identified by reference numbers 6:1, 6:2, and 6:3. However, you may also order any part individually. Reference numbers of this type appear in illustration and in parts lists.

## Reference Numbers Indicating Quantity

In an illustration, if a reference number indicates more than one part, the reference number has the form nX y. The n represents the quantity of the part, the X is the multiplication symbol, and the y represents the reference number.

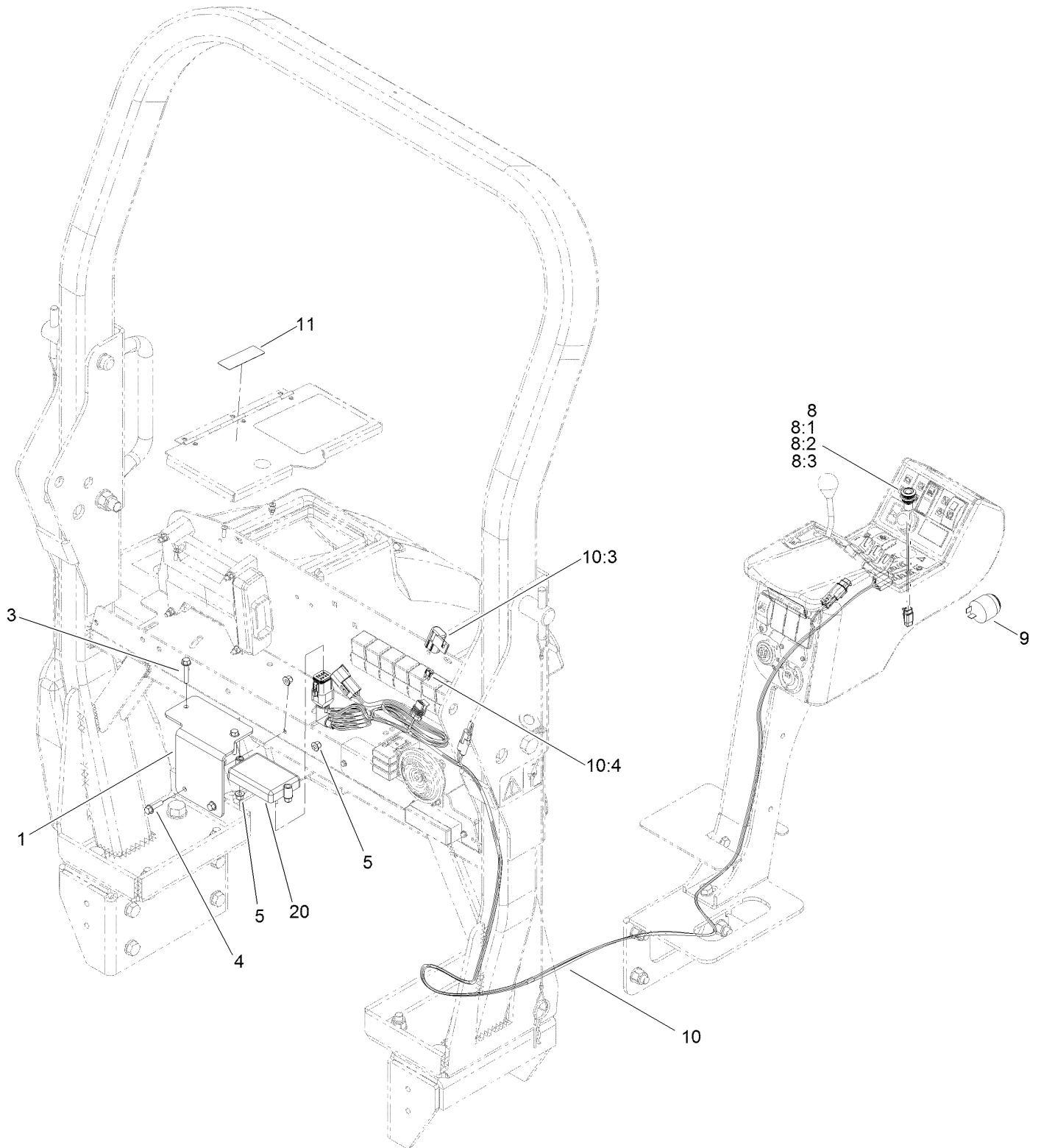
For example, in an illustration, the reference number 2X 37 means that two of the parts identified by reference number 37 are indicated.

# Contents

Slope Sensor Kit CT2240 No Cab and LT3340 Fitted with Cab . . . . . 4  
Slope Sensor Kit T4240 No Cab . . . . . 6

# Slope Sensor Kit

## CT2240 No Cab and LT3340 Fitted with Cab



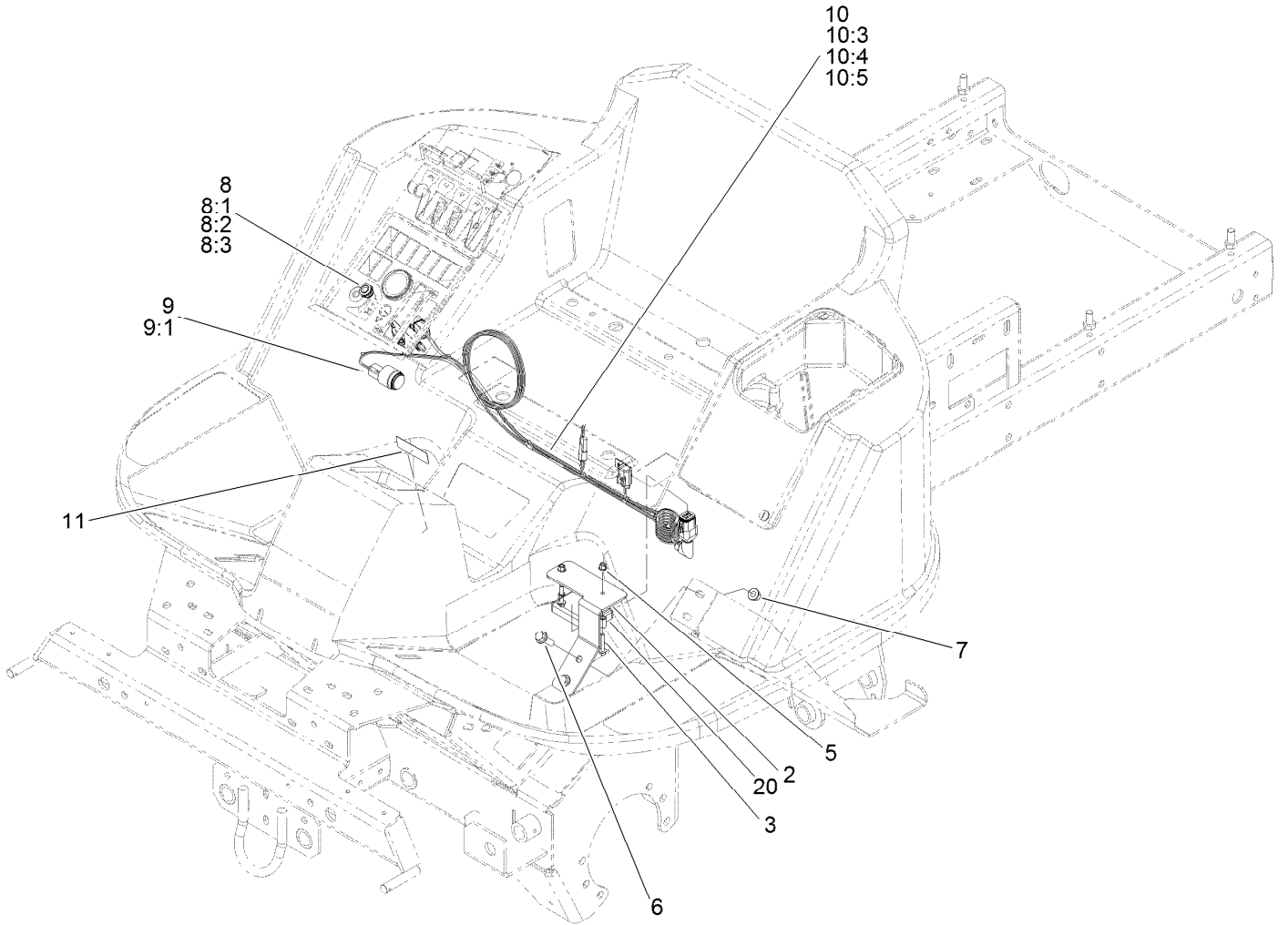
# Slope Sensor Kit

## CT2240 No Cab and LT3340 Fitted with Cab (continued)

<i>Ref.</i>	<i>Part Number</i>	<i>Qty.</i>	<i>Description</i>	<i>Ref.</i>	<i>Part Number</i>	<i>Qty.</i>	<i>Description</i>
1	134-3953-03	1	Mount, Slope-Sensor [black]	9	80-9330	1	Audio Alarm ASM
3	134-3743	2	Screw-HHF	9:1	104-5107	1	Nut-Plastic, Knurled ●
4	134-3741	2	Screw-HHF	10	122-1652	1	Harness-Wire, Slope Snsr
5	134-3761	4	Nut-Flange, NI	10:3	32180-101	1	Cover-Fuse, Single
8	122-0630	1	Red LED Indicator Lamp ASM	10:4	121-8861	1	Fuse-Mini Blade, 2 Amp
8:1	122-0634	1	Gasket-LED	10:5	32180-416	1	Cap-Tethered ●
8:2	122-0633	1	Washer-Locking	11	140-2710	1	Decal-Slope Sensor
8:3	122-0632	1	Nut-Fixing	20	134-1861	2	Controller-Slope, Lt-F+c
				99	HY3966	6	Tie-Cable ●

● Not illustrated

# Slope Sensor Kit T4240 No Cab



# Slope Sensor Kit T4240 No Cab (continued)

<i>Ref.</i>	<i>Part Number</i>	<i>Qty.</i>	<i>Description</i>	<i>Ref.</i>	<i>Part Number</i>	<i>Qty.</i>	<i>Description</i>
2	134-3975-03	1	Mount, Slope-Sensor	9	80-9330	1	Audio Alarm ASM
3	134-3743	2	Screw-HHF	9:1	104-5107	1	Nut-Plastic, Knurled
5	134-3761	2	Nut-Flange, NI	10	122-1652	1	Harness-Wire, Slope Snsr
6	134-3753	2	Screw-HHF	10:3	32180-101	1	Cover-Fuse, Single
7	134-3763	2	Nut-Flange, NI	10:4	121-8861	1	Fuse-Mini Blade, 2 Amp
8	122-0630	1	Red LED Indicator Lamp ASM	10:5	32180-416	1	Cap-Tethered
8:1	122-0634	1	Gasket-LED	11	140-2710	1	Decal-Slope Sensor
8:2	122-0633	1	Washer-Locking	20	134-1861	2	Controller-Slope, Lt-F+c
8:3	122-0632	1	Nut-Fixing	99	HY3966	6	Tie-Cable ●

● Not illustrated



**Count on it.**