



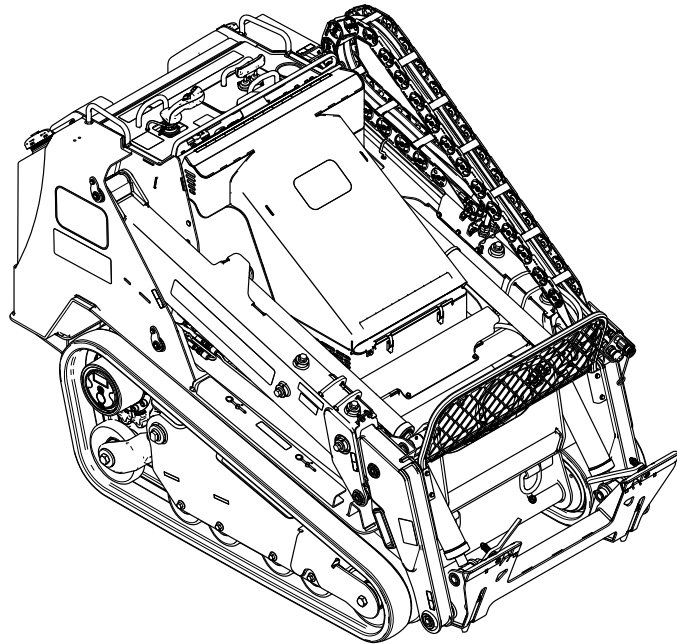
Count on it.

Operator's Manual

TXL 2000 Tool Carrier

Model No. 22530—Serial No. 40000000 and Up

Model No. 22531—Serial No. 40000000 and Up



It is a violation of California Public Resource Code Section 4442 or 4443 to use or operate the engine on any forest-covered, brush-covered, or grass-covered land unless the engine is equipped with a spark arrester, as defined in Section 4442, maintained in effective working order or the engine is constructed, equipped, and maintained for the prevention of fire.

The enclosed engine owner's manual is supplied for information regarding the US Environmental Protection Agency (EPA) and the California Emission Control Regulation of emission systems, maintenance, and warranty. Replacements may be ordered through the engine manufacturer.

⚠ WARNING

**CALIFORNIA
Proposition 65 Warning**

Diesel engine exhaust and some of its constituents are known to the State of California to cause cancer, birth defects, and other reproductive harm.

Battery posts, terminals, and related accessories contain lead and lead compounds, chemicals known to the State of California to cause cancer and reproductive harm. Wash hands after handling.

Use of this product may cause exposure to chemicals known to the State of California to cause cancer, birth defects, or other reproductive harm.

Introduction

This machine is a tool carrier intended for use in various earth and materials moving activities for landscaping and construction work. It is designed to operate a wide variety of attachments, each of which perform a specialized function. Using this product for purposes other than its intended use could prove dangerous to you and bystanders. Do not modify the machine or attachments.

Read this information carefully to learn how to operate and maintain your product properly and to avoid injury and product damage. You are responsible for operating the product properly and safely.

Visit www.Toro.com for product safety and operation training materials, accessory information, help finding a dealer, or to register your product.

Whenever you need service, genuine Toro parts, or additional information, contact an Authorized Service Dealer or Toro Customer Service and have the model and serial numbers of your product ready. **Figure 1** identifies the location of the model and serial numbers on the product. Write the numbers in the space provided.

Important: With your mobile device, you can scan the QR code on the serial number decal (if equipped) to access warranty, parts, and other product information.

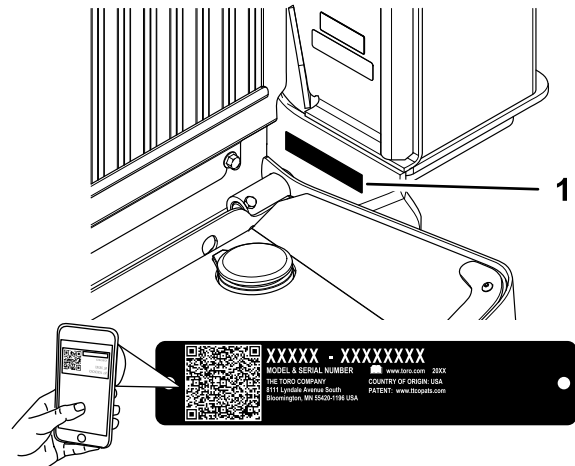


Figure 1

g256478

1. Model and serial number location

Model No. _____
Serial No. _____

This manual identifies potential hazards and has safety messages identified by the safety-alert symbol (**Figure 2**), which signals a hazard that may cause serious injury or death if you do not follow the recommended precautions.



Figure 2

Safety-alert symbol

g000502

This manual uses 2 words to highlight information. **Important** calls attention to special mechanical information and **Note** emphasizes general information worthy of special attention.

Contents

Safety	4
General Safety	4
Safety and Instructional Decals	5
Product Overview	11
Controls	11
InfoCenter Display	14
Specifications	17
Attachments/Accessories	18
Before Operation	18
Before Operation Safety	18
Adding Fuel	19
Performing Daily Maintenance	19
During Operation	20
During Operation Safety	20
Starting the Engine	21
Driving the Machine	22
Shutting Off the Engine	22
Using Attachments	22
Understanding Smart Power® Traction	23
Understanding the Smart Load System	24
After Operation	24
After Operation Safety	24
Moving a Non-Functioning Machine	24
Hauling the Machine	25
Maintenance	27
Maintenance Safety	27
Recommended Maintenance Schedule(s)	27
Pre-Maintenance Procedures	28
Using the Cylinder Locks	28
Accessing Internal Components	29
Lubrication	31
Lubricating the Machine	31
Engine Maintenance	32
Engine Safety	32
Servicing the Air Cleaner	32
Servicing the Engine Oil	33
Fuel System Maintenance	36
Draining the Water Separator	36
Replacing the Water Separator Filter	36
Replacing the Fuel Filter Canister	37
Checking the Fuel Lines and Connections	37
Bleeding the Fuel System	37
Draining the Fuel Tank(s)	37
Electrical System Maintenance	38
Electrical System Safety	38
Servicing the Battery	38
Jump-Starting the Machine	39
Servicing the Fuses	41
Drive System Maintenance	41
Replacing the Drive-Motor Planetary Gear Oil	41
Servicing the Tracks	42
Cooling System Maintenance	46
Cooling System Safety	46
Servicing the Cooling System	46

Changing the Engine Coolant	46
Belt Maintenance	47
Checking and Adjusting the Alternator Belt Tension	47
Controls System Maintenance	47
Adjusting the Controls	47
Hydraulic System Maintenance	48
Hydraulic System Safety	48
Relieving Hydraulic Pressure	48
Hydraulic-Fluid Specifications	48
Checking the Hydraulic-Fluid Level	49
Replacing the Hydraulic Filters	50
Changing the Hydraulic Fluid	51
Loader Maintenance	52
Torquing the Loader Arm Adjustment Screws	52
Cleaning	52
Removing Debris	52
Cleaning the Chassis	53
Storage	53
Storage Safety	53
Storage	53
Troubleshooting	54

Safety

▲ DANGER

There may be buried utility lines in the work area. Digging into them may cause a shock or an explosion.

Have the property or work area marked for buried lines and do not dig in marked areas. Contact your local marking service or utility company to have the property marked (for example, in the US, call 811 or in Australia, call 1100 for the nationwide marking service).

General Safety

Always follow all safety instructions to avoid serious injury or death.

- Do not transport an attachment/load with the arms raised or extended; always transport the attachment/load close to the ground, with the loader arms retracted.
- Slopes are a major factor related to loss-of-control and tip-over accidents, which can result in severe injury or death. Operating the machine on any slope or uneven terrain requires extra caution.
- Operate the machine up and down slopes with the heavy end of the machine uphill and the load close to the ground and the loader arms retracted. Weight distribution changes with attachments. An empty load-bearing attachment makes the rear of the machine the heavy end, and a full load-bearing attachment makes the front of the machine the heavy end. Most other attachments make the front of the machine the heavy end.
- Have the property or work area marked for buried lines and other objects, and do not dig in marked areas.
- Read and understand the content of this *Operator's Manual* before starting the engine.
- Use your full attention while operating the machine. Do not engage in any activity that causes distractions; otherwise, injury or property damage may occur.
- Never allow children or untrained people to operate the machine.
- Keep your hands and feet away from the moving components and attachments.
- Do not operate the machine without the guards and other safety protective devices in place and working on the machine.

- Keep bystanders and children out of the operating area.
- Stop the machine, shut off the engine, and remove the key before servicing, fueling, or unclogging the machine.

Improperly using, modifying, or maintaining this machine can result in injury. To reduce the potential for injury, comply with these safety instructions and always pay attention to the safety-alert symbol ▲, which means Caution, Warning, or Danger—personal safety instruction. Failure to comply with these instructions may result in personal injury or death.

You can find additional safety information where needed throughout this manual.

Safety and Instructional Decals



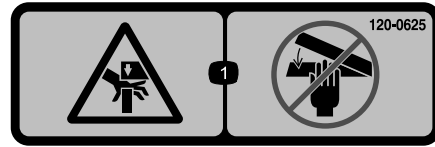
Safety decals and instructions are easily visible to the operator and are located near any area of potential danger. Replace any decal that is damaged or missing.



Battery Symbols

Some or all of these symbols are on your battery.

- | | |
|--|---|
| 1. Explosion hazard | 6. Keep bystanders away from the battery. |
| 2. No fire, open flame, or smoking | 7. Wear eye protection; explosive gases can cause blindness and other injuries. |
| 3. Caustic liquid/chemical burn hazard | 8. Battery acid can cause blindness or severe burns. |
| 4. Wear eye protection. | 9. Flush eyes immediately with water and get medical help fast. |
| 5. Read the <i>Operator's Manual</i> . | 10. Contains lead; do not discard |



120-0625

decal120-0625

1. Pinch point, hand—keep hands away.

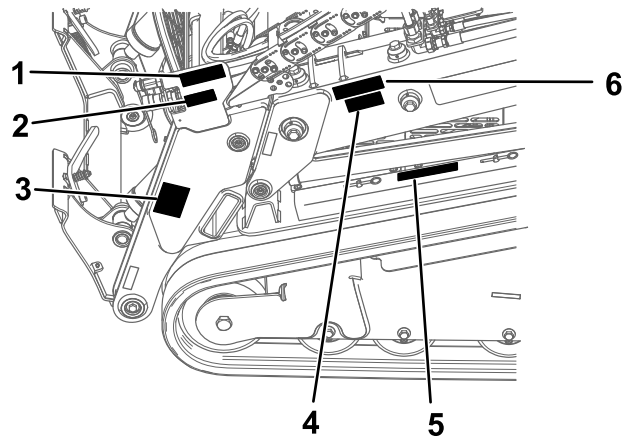


Figure 4

g269556

- | | |
|-----------------------------------|-----------------------------------|
| 1. 115-4855 | 4. 139-1158 (on both loader arms) |
| 2. 139-1173 | 5. 139-1159 (on both loader arms) |
| 3. 139-1164 (on both loader arms) | 6. 115-4858 (on both loader arms) |

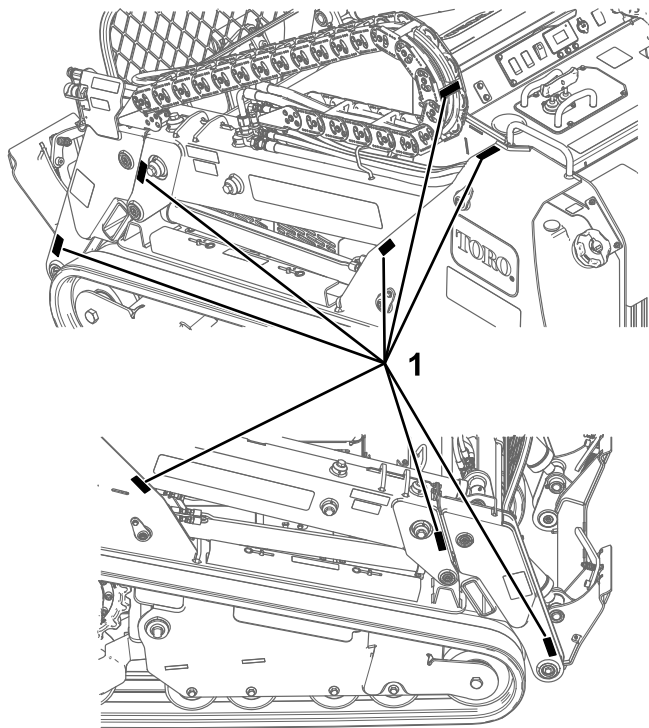
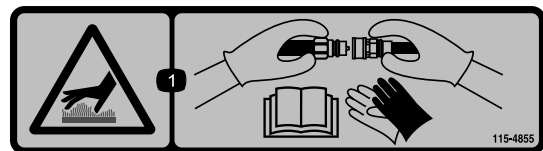


Figure 3

g269553

1. 120-0625



115-4855

decal115-4855

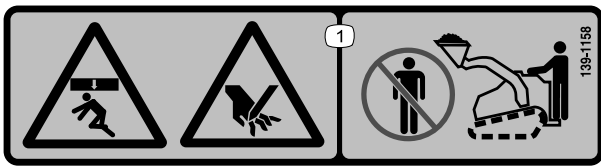
1. Hot surface/burn hazard—wear protective gloves when handling the hydraulic couplers and read the *Operator's Manual* for information on handling hydraulic components.



115-4858

decal115-4858

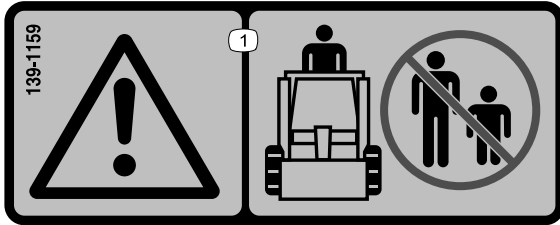
1. Crushing hazard of hands or feet—install the cylinder lock.



139-1158

decal139-1158

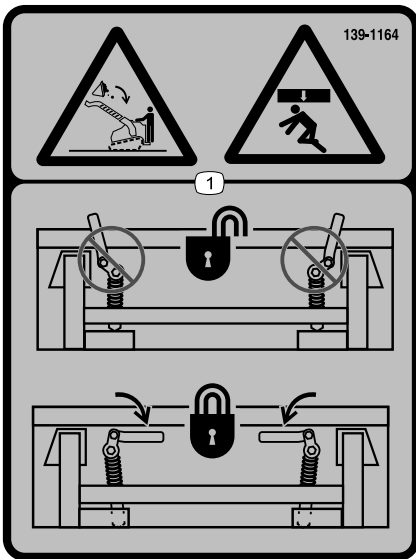
1. Crushing hazard, from above, and pinching hazard—stay away from the bucket and loading arms.



139-1159

decal139-1159

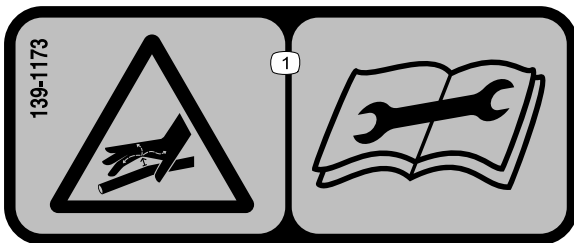
1. Warning—keep bystanders away.



139-1164

decal139-1164

1. Crushing hazard from above, falling load—ensure that the quick-attach levers are locked.



139-1173

decal139-1173

1. High-pressure fluid hazard, injection into the body—read the *Operator's Manual* before performing maintenance.

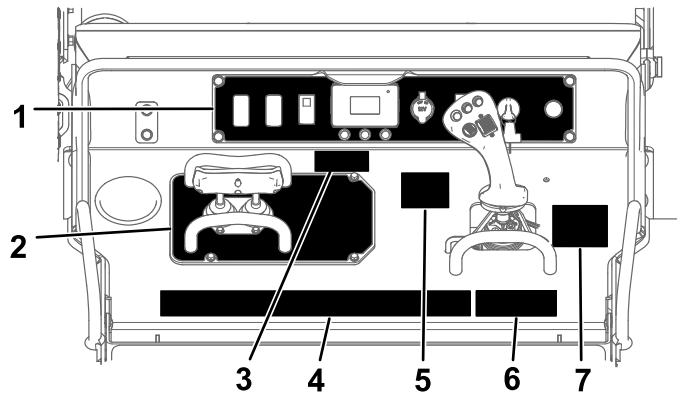
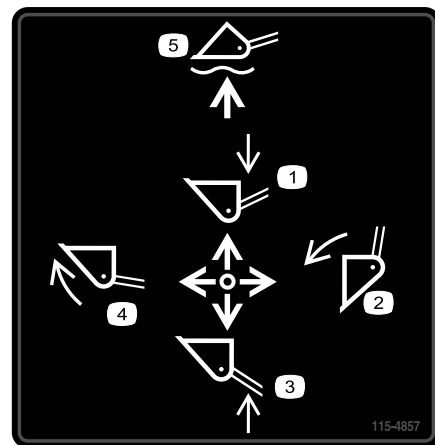


Figure 5

g275810

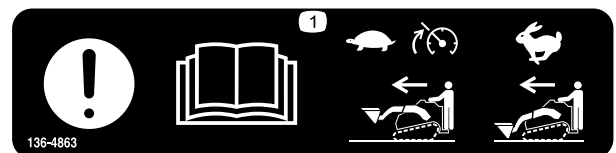
- | | |
|-------------|-------------|
| 1. 137-5421 | 5. 139-1171 |
| 2. 137-5420 | 6. 139-1162 |
| 3. 136-4863 | 7. 115-4857 |
| 4. 131-0710 | |



115-4857

decal115-4857

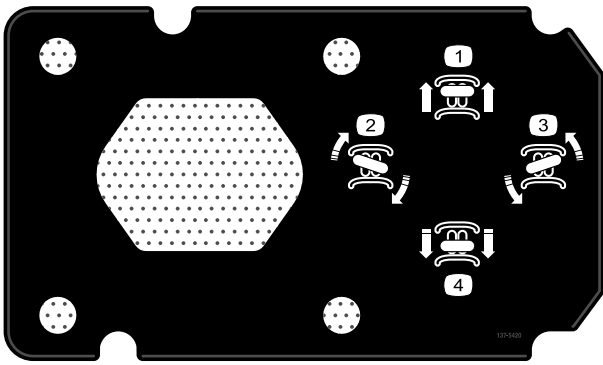
- | | |
|---------------------------|------------------------------------|
| 1. Lower the loader arms. | 4. Curl the bucket. |
| 2. Dump the bucket. | 5. Float the bucket on the ground. |
| 3. Raise the loader arms. | |



136-4863

decal136-4863

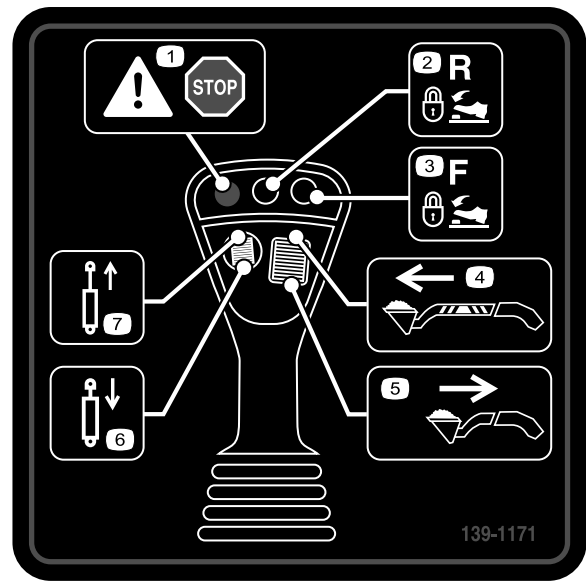
1. Attention—read the *Operator's Manual*; Smart Load will engage and slow the traction speed when the attachment is raised; lower the attachment to drive quickly.



137-5420

decal137-5420

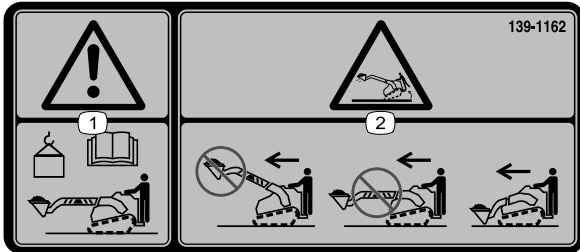
1. Move forward
2. Turn right
3. Turn left
4. Move rearward



139-1171

decal139-1171

1. Warning—attachment hydraulic shut-off
2. Attachment flow—Reverse; press the button and step on the switch at full flow to lock the hydraulics.
3. Attachment flow—Forward; press the button and step on the switch at full flow to lock the hydraulics.
4. Extend the arms (telescoping model only).
5. Retract the arms (telescoping model only).
6. Retract the hydraulic cylinder (optional).
7. Extend the hydraulic cylinder (optional).



139-1162

decal139-1162

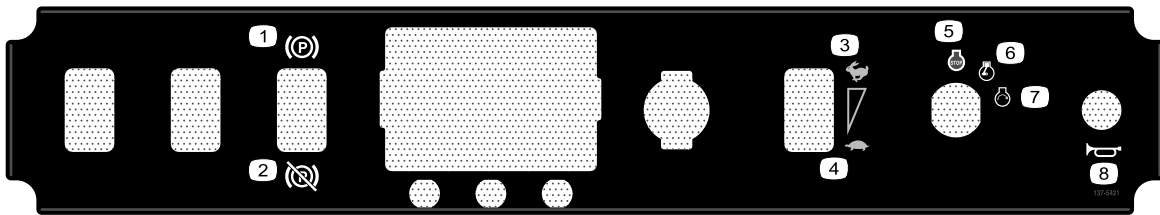
1. Warning—read the *Operator's Manual* for the bucket maximum weight limit.
2. Tipping hazard—do not drive the machine with the load raised or the arms extended; carry the load close to the ground with the arms retracted when driving.



131-0710

decal131-0710

1. Warning—read the *Operator's Manual*.
2. Warning—receive training before operating the machine.
3. Warning—wear hearing protection.
4. Warning—engage the parking brake, lower the attachment to the ground, shut off the engine, and remove the key from the ignition before leaving the machine.
5. Electrocution hazard, power lines—check for power lines in the area before using the machine.
6. Crushing hazard—keep away from pinch points; read the *Operator's Manual* before servicing or performing maintenance.
7. Cutting/severing hazard of hand or foot—wait for all moving parts to stop before servicing; keep away from moving parts; keep all guards and shields in place.
8. Explosion hazard; electrocution hazard—call the local utilities hotline before beginning work in an area.
9. Crushing hazard—keep away from the attachment when operating the machine; keep bystanders away from the machine.
10. Tipping hazard—always move up or down slopes with the attachment lowered; never drive on a slope with the attachment raised; always operate with the heavy end uphill; always carry loads low; never jerk the control levers; use a steady, even motion.
11. Tipping hazard—do not make fast turns; always check behind you before reversing the machine.



decal137-5421

137-5421

- | | |
|----------------------------|--------------------|
| 1. Parking brake—Engage | 5. Engine—Shut off |
| 2. Parking brake—Disengage | 6. Engine—Run |
| 3. Throttle—Fast | 7. Engine—Start |
| 4. Throttle—Slow | 8. Horn |

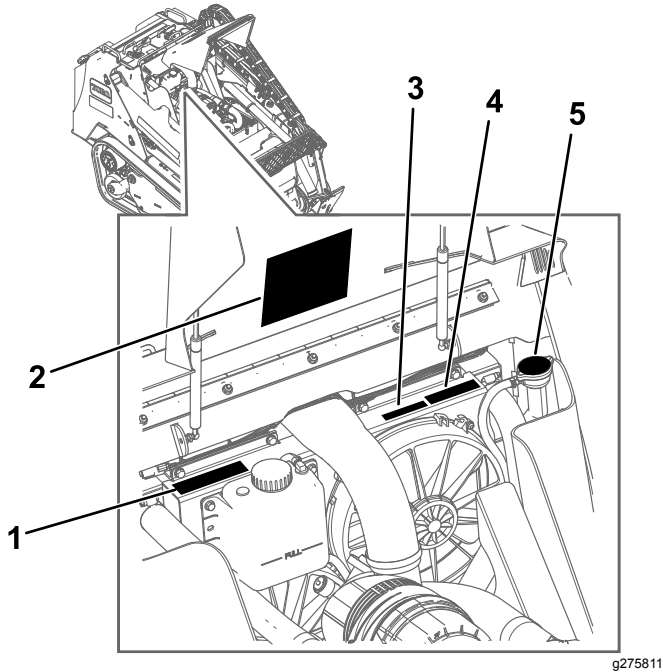
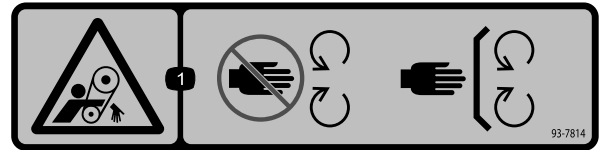


Figure 6

g275811

- | | |
|-------------|-------------|
| 1. 93-7814 | 4. 115-4865 |
| 2. 137-5419 | 5. 117-3276 |
| 3. 93-6681 | |



93-7814

decal93-7814

93-7814

1. Entanglement hazard, belt—stay away from moving parts; keep all guards and shields in place.

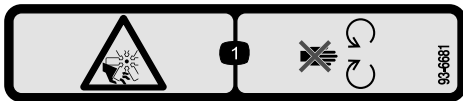


117-3276

decal117-3276

117-3276

- | | |
|---|--|
| 1. Engine coolant under pressure | 3. Warning—do not touch the hot surface. |
| 2. Explosion hazard—read the <i>Operator's Manual</i> . | 4. Warning—read the <i>Operator's Manual</i> . |



decal93-6681

93-6681

1. Cutting/dismemberment hazard, fan—stay away from moving parts.



decal115-4865

115-4865

- | | |
|-------------------|--|
| 1. Engine coolant | 2. Read the <i>Operator's Manual</i> . |
|-------------------|--|

TXL2000 QUICK REFERENCE AID SEE OPERATOR'S MANUAL

CHECK/SERVICE (daily)

- OIL LEVEL, ENGINE
- OIL LEVEL, HYDRAULIC TANK
- COOLANT LEVEL
- ALTERNATOR BELT
- GREASE - LUBE POINTS (16)
- AIR CLEANER
- WATER SEPARATOR

FLUID SPECIFICATIONS / CHANGE INTERVALS

See operator's manual for fluid change	FLUID TYPE	CAPACITY	CHANGE INTERVALS FLUID	CHANGE INTERVALS FILTER	FILTER PART NO.
A, ENGINE OIL	AP C-4d SAE 10W-30 OR SAE 15W-40	7.2 qts. (7 L)	400 HRS.	400 HRS.	104-5169
B, HYDRAULIC OIL	TORO PREMIUM HYD FLUID	21 qts. (19 L)	1000 HRS.	1000 HRS.	91-2621
C, AIR FILTER				600 HRS.	103-3014 and 103-3816
D, WATER SEPARATOR				500 HRS.	136-4892
E, FUEL	ULTRA LOW SULFUR DIESEL C03 S13 200PPM Sulfur Content 15PPM Sulfur Below 15PPM	18.3 gals. (69 L)		400 HRS.	136-4891
F, COOLANT	50/50 ANTIFREEZE	11.1 qts. (10.5 L)	500 HRS.		
G, CHARGE FILTER				400 HRS.	75-1310

COMMON SERVICE PARTS

PART	TORO PART NO.
TRACKS	137-0354
TENSIONER	138-2261
ROAD WHEEL ASM.	137-0485
FRONT / REAR WHEEL ASM.	137-0505
QTACH ASM.	132-8468
SCREW-SLIDE, ADJ.	132-8479

137-5419

137-5419

decal137-5419

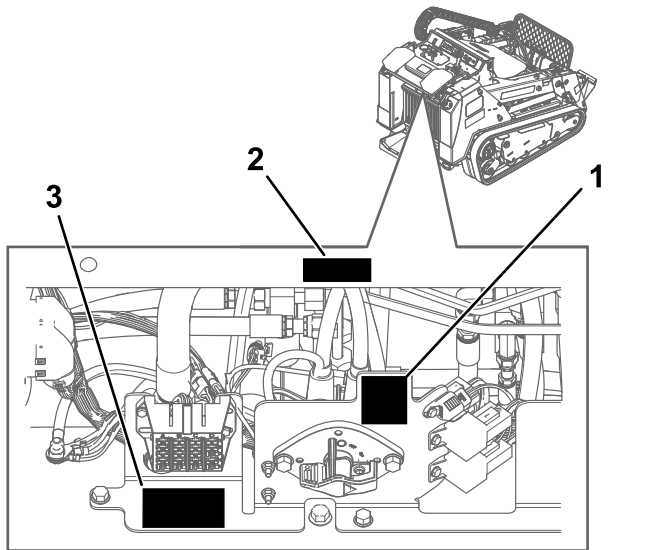
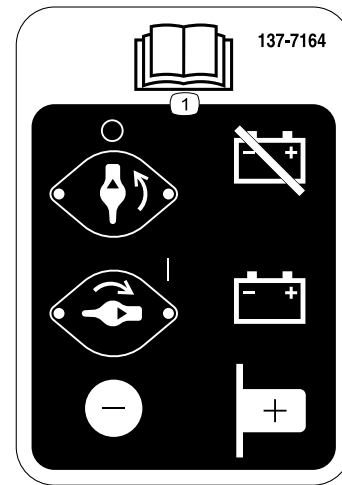


Figure 7

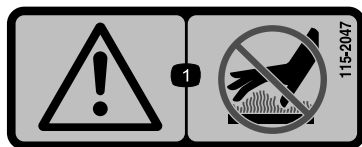
- 137-7164
- 115-2047
- 139-1206



137-7164

decal137-7164








- Read the *Operator's Manual*—rotate counter clockwise to disconnect the battery; rotate clockwise to connect the battery; the negative post is located below the switch; the positive post is located to the side of the switch.



115-2047

decal115-2047

- Warning—do not touch the hot surface.

	A	B	C	D	
 139-1206	25A EN: ENGINE ECU	2A T1: PRIMARY	2A TELEMATICS	5A SYSTEM	1
	20A STARTER SOL.	10A 	10A T2: DISPLAY	10A 	2
	10A ACC #1	10A ACC #2	10A ACC #3		3
	7.5A TEC 	7.5A TEC 	7.5A TEC 	7.5A TEC 	4
				5	

139-1206

decal139-1206

1. Read the *Operator's Manual* for fuse information.
2. Lighter
3. Horn
4. Electric

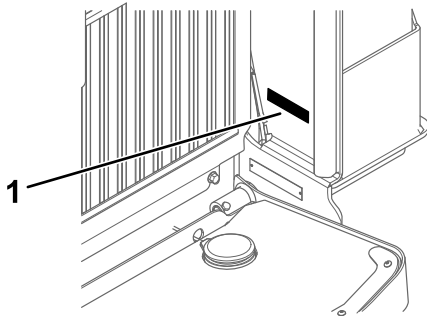


Figure 8

g269560

1. 133-8062

WARNING: Cancer and Reproductive Harm - www.P65Warnings.ca.gov.
For more information, please visit www.tccoCAProp65.com

CALIFORNIA SPARK ARRESTER WARNING

Operation of this equipment may create sparks that can start fires around dry vegetation. A spark arrester may be required. The operator should contact local fire agencies for laws or regulations relating to fire prevention requirements.

133-8062

133-8062

decal133-8062

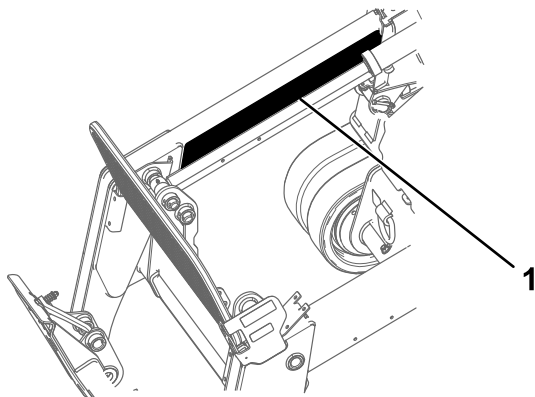


Figure 9

g269558

1. 137-5409 (on both loader arms)



137-5409

decal137-5409

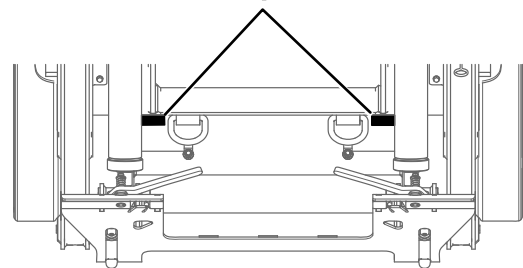
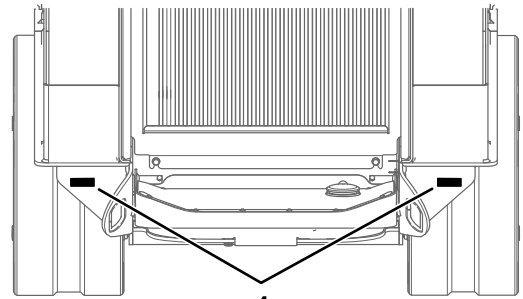
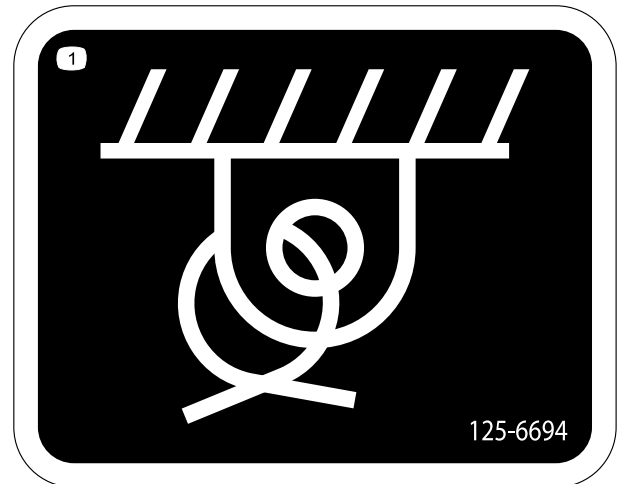


Figure 10

g269559

1. 125-6694



125-6694

decal125-6694

1. Tie down location

Product Overview

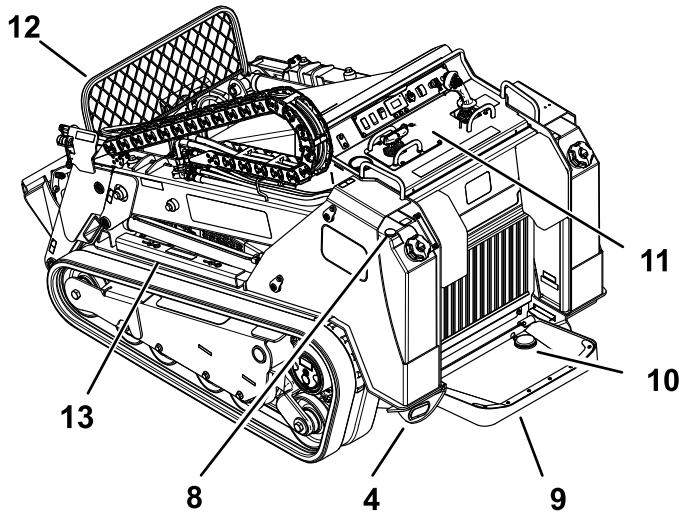
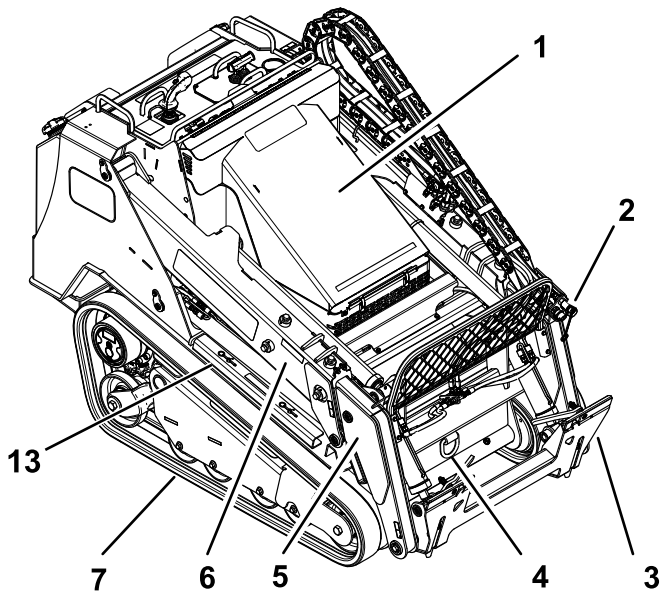


Figure 11

- | | |
|---------------------------------|--------------------------------------|
| 1. Hood | 8. Fuel gauge |
| 2. Auxiliary hydraulic couplers | 9. Operator platform |
| 3. Mount plate | 10. Auxiliary hydraulics lock switch |
| 4. Tie-down loop | 11. Control panel |
| 5. Lower loader arm | 12. Debris shield |
| 6. Upper loader arm | 13. Cylinder lock |
| 7. Track | |

Controls

Control Panel

Become familiar with all the controls ([Figure 12](#)) before you start the engine and operate the traction unit.

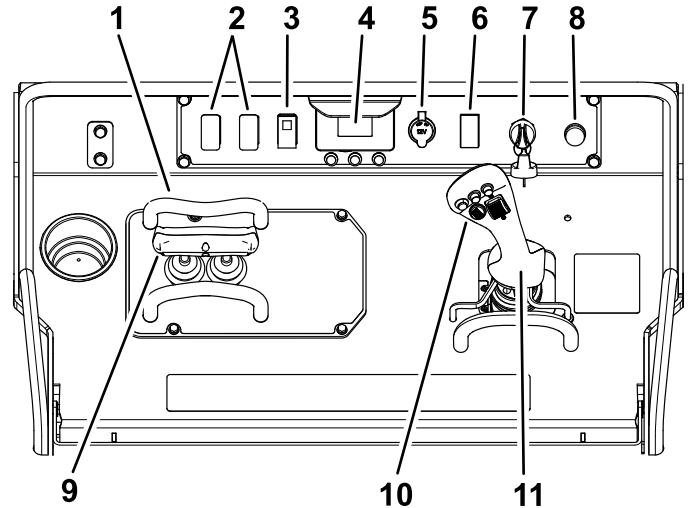


Figure 12

- | | |
|-------------------------|--------------------------------------|
| 1. Reference bar | 7. Key switch |
| 2. Plug | 8. Horn |
| 3. Parking brake switch | 9. Traction control |
| 4. InfoCenter | 10. Joystick controls |
| 5. Power socket | 11. Loader arm/attachment-tilt lever |
| 6. Throttle switch | |

Key Switch

The key switch, used to start and shut off the engine, has 3 positions: OFF, RUN, and START. Refer to [Starting the Engine](#) (page 21).

Parking-Brake Switch

Press the parking-brake switch to engage and disengage the parking brake ([Figure 12](#)). The parking brake also engages automatically when you shut off the machine.

Throttle Switch

Press the switch forward for 2 or more seconds to set the throttle at HIGH IDLE; press the switch rearward for 2 or more seconds to set the throttle at LOW IDLE; or momentarily press the switch in either direction to increase or decrease the engine speed in 100-rpm increments.

Reference Bar

When driving the traction unit, use the reference bar as a handle and a leverage point for controlling the traction control and the joystick lever. To ensure smooth, controlled operation, do not take your hands off the reference bars while operating the machine.

Traction Control

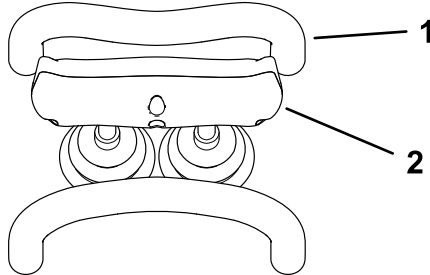


Figure 13

g264835

1. Reference bar
2. Traction control

- To move forward, move the traction control forward (Figure 14).

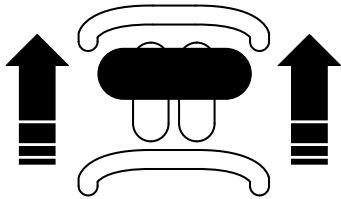


Figure 14

g264830

- To move rearward, move the traction control rearward (Figure 15).

Important: When reversing, look behind you for obstructions and keep your hands on the reference bar.

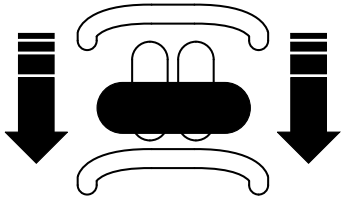


Figure 15

g264831

- To turn right, rotate the traction control clockwise (Figure 16).

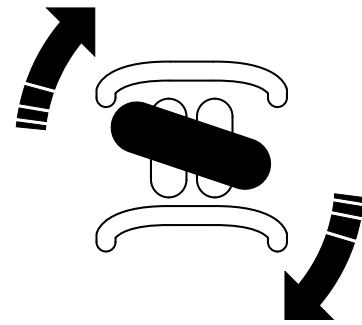


Figure 16

g264833

- To turn left, rotate the traction control counterclockwise (Figure 17).

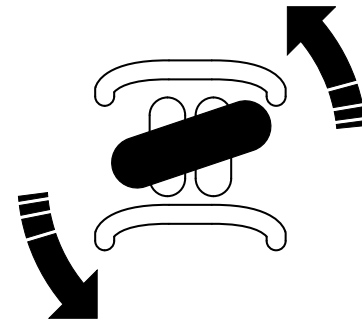


Figure 17

g264832

- To stop the machine, release the traction control (Figure 13).

Note: The farther you move the traction control in any direction, the faster the machine moves in that direction.

Loader Arm/Attachment-Tilt Lever

- To tilt the attachment forward, slowly move the lever to the right (Figure 18).
- To tilt the attachment rearward, slowly move the lever to the left (Figure 18).
- To lower the loader arms, slowly move the lever forward (Figure 18).
- To raise the loader arms, slowly move the lever rearward (Figure 18).

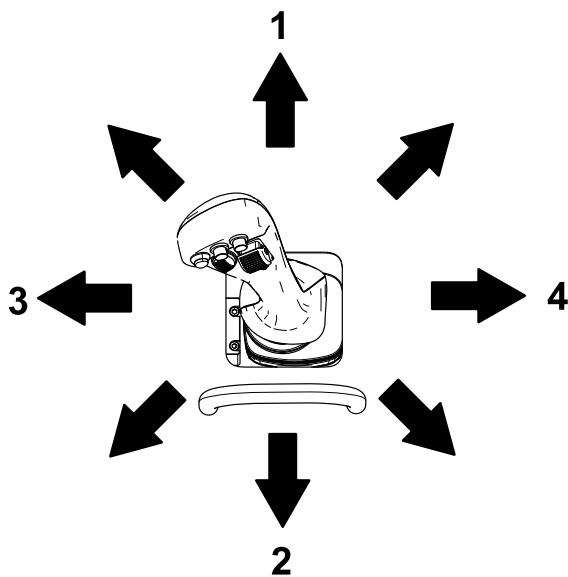


Figure 18

- | | |
|---------------------------|----------------------------------|
| 1. Lower the loader arms. | 3. Tilt the attachment rearward. |
| 2. Raise the loader arms. | 4. Tilt the attachment forward. |

g257146

By moving the lever to an intermediate position (e.g., forward and left), you can move the loader arms and tilt the attachment at the same time.

Joystick Controls

- To operate a hydraulic attachment in the forward direction, press the right button (Figure 19).
- To operate a hydraulic attachment in the reverse direction, press the middle button (Figure 19).
- To stop the hydraulic attachment, press the left button (Figure 19).

The buttons are pressure-sensitive. The harder you press a button, the faster the hydraulics flow. If you fully press a button for approximately half a second, the hydraulics will flow continuously in that direction.

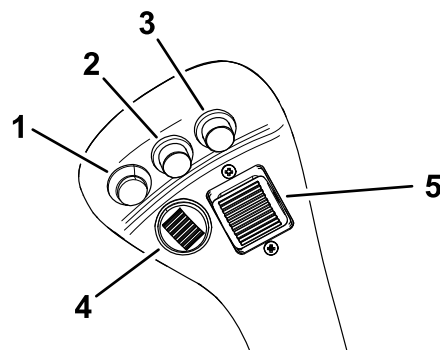


Figure 19

g257144

- | | |
|----------------------------|---|
| 1. Stop hydraulics | 4. Secondary attachment function (certain attachments only) |
| 2. Reverse-flow hydraulics | 5. Loader arm extension lever |
| 3. Forward-flow hydraulics | |

Loader Arm Extension Lever

Rotate the extension lever forward to extend the loader arms (Figure 19); rotate the lever rearward to retract them.

⚠ WARNING

Moving the machine while the loader arms are extended may affect the stability of the machine.

Minimize machine movement while the loader arms are extended.

Auxiliary-Hydraulics Lock Switch

Press and hold the hydraulics flow button on the joystick for more than 1 second, then use your right foot to press the auxiliary-hydraulics-lock switch to continue the full forward or reverse flow of the auxiliary hydraulics and free your hand for other controls (Figure 20).

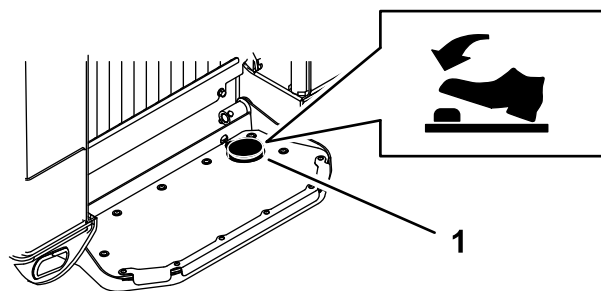


Figure 20

g215374

1. Auxiliary-hydraulics lock switch

Fuel Gauge

This gauge measures the amount of fuel in the fuel tank(s).

InfoCenter Display

The InfoCenter LCD display shows information about your machine, such as the operating status, various diagnostics and other information about the machine (Figure 21). There is a splash screen and main information screen of the InfoCenter. You can switch between the splash screen and main information screen at any time by pressing any of the InfoCenter buttons and then selecting the appropriate directional arrow.

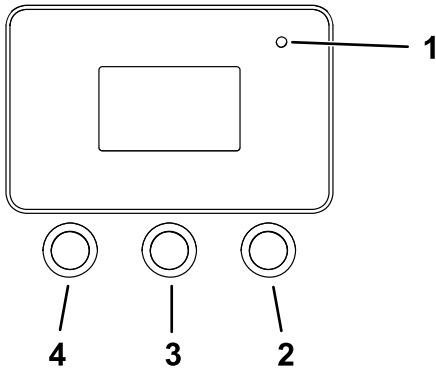


Figure 21

g264015

- 1. Indicator light
- 2. Right button
- 3. Middle button
- 4. Left button

- Left Button, Menu Access/Back Button—press this button to access the InfoCenter menus. You can use it to exit any menu that you are currently using.
- Middle Button—use this button to scroll down menus.
- Right Button—use this button to open a menu where a right arrow indicates additional content.

Note: The purpose of each button may change depending on what is required at the time. Each button is labeled with an icon displaying its current function.

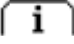
InfoCenter Icon Description

	Menu access
	Next
	Previous
	Scroll down

InfoCenter Icon Description (cont'd.)

	Enter
	Change the next value in the list
	Increase
	Decrease
	Save value
	Exit menu
	Check PIN entry
	Hour meter
	Adjust digit
	Transport-speed screen access
	Transport speed—adjust the traction speed but maintain engine speed; refer to Setting the Maximum Transport Speed (page 16) .
	Engine-coolant temperature
	Engine speed
	Battery voltage
	Smart Load is active; refer to Understanding the Smart Load System (page 24) .
	Indicates when scheduled service should be performed
	Smart Power is active; refer to Understanding Smart Power® Traction (page 23) .

Using the Menus

To access the InfoCenter menu system, press the menu access button  while at the main screen. This will bring you to the main menu. Refer to the following tables for a synopsis of the options available from the menus:

Main Menu	
Menu Item	Description
Faults	The Faults menu contains a list of the recent machine faults. Refer to the Service Manual or your Authorized Toro Distributor for more information on the Faults menu and the information contained there.
Service	The Service menu contains information on the machine such as hours of use and other similar numbers.
Diagnostics	The Diagnostics menu displays the state of each machine switch, sensor and control output. You can use this to troubleshoot certain issues as it will quickly tell you which machine controls are on and which are off.
Settings	The Settings menu allows you to customize and modify configuration variables on the InfoCenter display.
About	The About menu lists the model number, serial number, and software version of your machine.

Service	
Menu Item	Description
Hours	Lists the total number of hours that the machine, engine, auxiliary hydraulics, SmartPower, and load sensing have been on, as well as the number of hours for engine service and hydraulic service.
Counts	Lists the number of starts that the machine has experienced, the number of times the machine has warned that the engine temperature is too high, and the number of times the engine has shut off due to high temperatures.

Diagnostics	
Menu Item	Description
Traction	Indicates the inputs and outputs for driving the machine.
Auxiliary	Indicates the inputs and outputs for engaging auxiliary hydraulics.
Engine	Indicates the inputs and outputs for starting the engine.
Boom	Indicates the inputs and outputs for extending and retracting the telescoping arms.

Settings	
Menu Item	Description
Units	Controls the units used on the InfoCenter; the menu choices are Imperial or Metric.
Language	Controls the language used on the InfoCenter.
Brightness	Controls the brightness of the LCD display.
Contrast	Controls the contrast of the LCD display.
Smart Power	Smart Power prevents bogging down in heavy conditions by automatically controlling the machine speed and optimizing performance.
Protected Menus	Grants access to protected menus.
Protect Settings	Changes whether a pin is required in Protected Menus.
Transport Speed	Controls the maximum speed while in transport.
Load Sensing	Enables and disables the warning for the Smart Load sensor.

About	
Menu Item	Description
Model	Lists the model number of the machine
Serial	Lists the serial number of the machine
Software	Lists the system software revision of the machine.
Display	Lists the display software revision of the InfoCenter.

Setting the Maximum Transport Speed

For applications requiring a lower transport speed, you can adjust the maximum transport speed without affecting the engine speed.

1. From the **SPLASH SCREEN** or **HOME SCREEN**, press the transport-speed screen access button (middle button) twice.

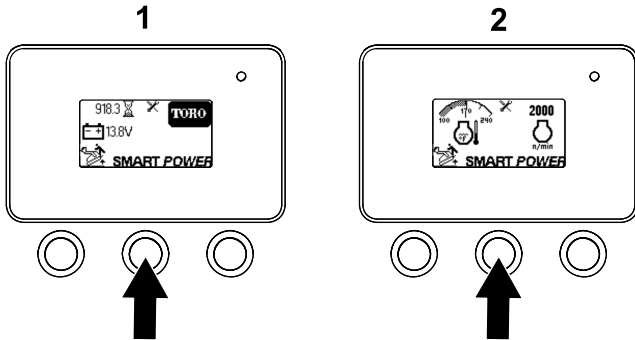


Figure 22

g266967

1. Splash screen
2. Home screen

2. In the **MAX SPEED SCREEN**, adjust the maximum speed using the middle and right buttons.

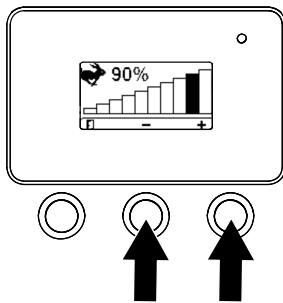


Figure 23

g267018

Accessing Protected Menus

There are 2 operating configuration settings that are adjustable within the **SETTINGS MENU** of the InfoCenter: **TRANSPORT SPEED** and **LOAD SENSING**. These settings are in the Protected Menu.

Note: The factory default PIN code for your machine is either 0000 or 1234.

If you changed the PIN code and forgot the code, contact your authorized Toro distributor for assistance.

1. From the **MAIN MENU**, use the center button to scroll down to the **SETTINGS MENU** and press the right button (Figure 24).

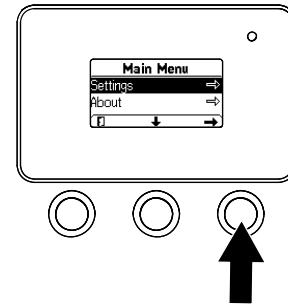


Figure 24

g264775

2. In the **SETTINGS MENU**, use the center button to scroll down to the **PROTECTED MENU** and press the right button (Figure 25A).

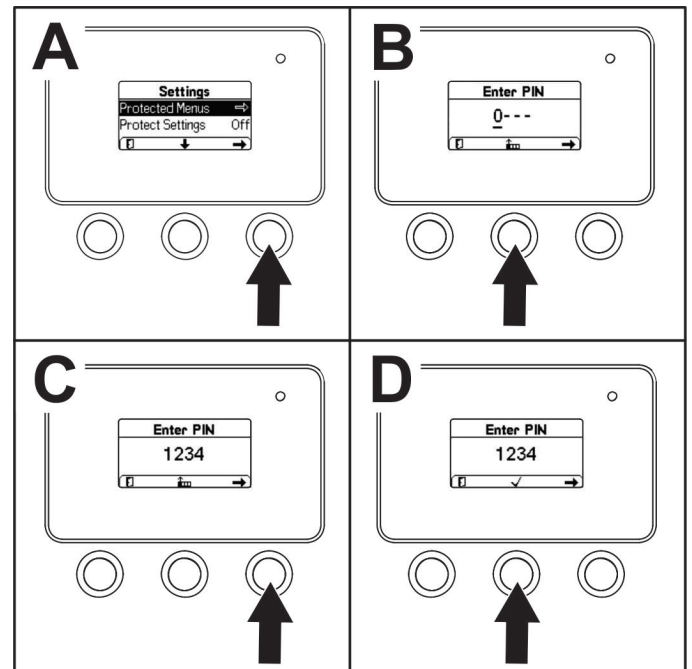


Figure 25

g264249

3. To enter the PIN code, press the center button until the correct first digit appears, then press the right button to move on to the next digit (Figure 25B and Figure 25C). Repeat this step

until the last digit is entered and press the right button once more.

4. Press the middle button to enter the PIN code (Figure 25D).

Note: If the InfoCenter accepts the PIN code and the protected menu is unlocked, the word “PIN” displays in the upper right corner of the screen.

You can view and change the settings in the PROTECTED MENU. Once you access the PROTECTED MENU, scroll down to PROTECT SETTINGS option. Use the right button to change the setting. Setting the Protect Settings to OFF allows you to view and change the settings in the PROTECTED MENU without entering the PIN code. Setting the Protect Settings to ON hides the protected options and requires you to enter the PIN code to change the setting in the PROTECTED MENU.

Setting the Maximum Allowed Transport Speed

1. In the SETTINGS MENU, scroll down to TRANSPORT SPEED and press the right button.
2. Use the right button to increase the maximum transport speed (30% to 100%).
3. Use the center button to decrease the maximum transport speed (30% to 100%).
4. Press the left button to exit.
5. When finished with the PROTECTED MENU, press the left button to exit to the MAIN MENU, then press the left button to exit to the RUN MENU.

Specifications

Note: Specifications and design are subject to change without notice.

Model 22530

Width	137 cm (54 inches)
Length	251 cm (99 inches)
Height	173 cm (68 inches)
Weight	3034 kg (6,690 lb)
Operating capacity (35% of tipping capacity ¹)	
• Arms retracted	907 kg (2,000 lb)
• Arms extended	417 kg (920 lb)
Tipping capacity ¹	
• Arms retracted	2592 kg (5,715 lb)
• Arms extended	1188 kg (2,620 lb)
Wheelbase	137 cm (54 inches)
Dump height (with standard bucket)	
• Arms retracted	163 cm (64 inches)
• Arms extended	226 cm (89 inches)
Reach—fully raised (with standard bucket)	
• Arms retracted	66 cm (26 inches)
• Arms extended	115 cm (45 inches)
Height to hinge pin (with standard bucket in highest position)	
• Arms retracted	251 cm (99 inches)
• Arms extended	312 cm (123 inches)

1. The operating capacity is calculated as 35% of the tipping capacity with a standard bucket and 75 kg (165 lb) operator, per ISO 14397-1. Other attachments will have different operating capacities; refer to the Operator's Manual or load capacity decal for the attachment.

Model 22531

Width	137 cm (54 inches)
Length	251 cm (99 inches)
Height	173 cm (68 inches)
Weight	2828 kg (6,235 lb)
Operating capacity (35% of tipping capacity ¹)	907 kg (2,000 lb)
Tipping capacity ¹	2592 kg (5,715 lb)
Wheelbase	137 cm (54 inches)
Dump height (with standard bucket)	163 cm (64 inches)
Reach—fully raised (with standard bucket)	66 cm (26 inches)
Height to hinge pin (with standard bucket in highest position)	251 cm (99 inches)

1. The operating capacity is calculated as 35% of the tipping capacity with a standard bucket and 75 kg (165 lb) operator, per ISO 14397-1. Other attachments will have different operating capacities; refer to the Operator's Manual or load capacity decal for the attachment.

Attachments/Accessories

A selection of Toro-manufactured attachments and accessories is available for use with the machine to enhance and expand its capabilities. Contact your Authorized Service Dealer or authorized Toro distributor or go to www.Toro.com for a list of all Toro-manufactured attachments and accessories.

To ensure optimum performance and continued safety certification of the machine, use genuine Toro replacement parts and accessories. Toro accepts no liability for machine damage or personal injury that results from the use of other manufacturer attachments. The user accepts the burden of these risks.

Operation

Note: Determine the left and right sides of the machine from the normal operating position.

Before Operation

Before Operation Safety

General Safety

- Never allow children or untrained people to operate or service the machine. Local regulations may restrict the age or require certified training of the operator. The owner is responsible for training all operators and mechanics.
- Become familiar with the safe operation of the equipment, operator controls, and safety decals.
- Always engage the parking brake (if equipped), shut off the engine, remove the key, wait for all moving parts to stop, and allow the machine to cool before adjusting, servicing, cleaning, or storing the machine.
- Know how to stop the machine and shut off the engine quickly.
- Check that the operator's presence controls, safety switches, and shields are attached and functioning properly. Do not operate the machine unless they are functioning properly.
- Locate the pinch-point areas marked on the machine and attachments; keep your hands and feet away from these areas.
- Before operating the machine with an attachment, ensure that the attachment is properly installed. Read all the attachment manuals.
- Evaluate the terrain to determine what accessories and attachments you need to properly and safely perform the job.
- Have the property or work area marked for buried lines and other objects, and do not dig in marked areas; note the location of unmarked objects and structures, such as underground storage tanks, wells, and septic systems.
- Inspect the area where you will use the equipment and remove all debris.
- Ensure that the area is clear of bystanders before operating the machine. Stop the machine if anyone enters the area.

Fuel Safety

- Use extra care when handling fuel. It is flammable and its vapors are explosive.

- Extinguish all cigarettes, cigars, pipes, and other sources of ignition.
- Use only an approved fuel container.
- Do not remove the fuel cap or fill the fuel tank while the engine is running or hot.
- Do not add or drain fuel in an enclosed space.
- Do not store the machine or fuel container where there is an open flame, spark, or pilot light, such as on a water heater or other appliance.
- If you spill fuel, do not attempt to start the engine; avoid creating any source of ignition until the fuel vapors have dissipated.

Adding Fuel

Recommended Fuel

Use only clean, fresh diesel fuel or biodiesel fuels with ultra low (<15 ppm) sulfur content. The minimum cetane rating should be 45. A cetane rating greater than 50 is preferred, especially at temperatures below -20°C (-4°F) or at elevations above 1500 m (5000 ft). Purchase fuel in quantities that you can use within 180 days to ensure fuel freshness.

Using non-ultra low sulfur fuel will damage the engine emissions system.

Use summer-grade diesel fuel (No. 2-D or No. 2-D S15) at temperatures above -10°C (14°F) and winter grade (No. 1-D or No. 1-D S15) below that temperature. Using winter-grade fuel at lower temperatures provides lower flash point and cold flow characteristics, which eases starting and reduces fuel filter plugging.

Using summer-grade fuel above -10°C (14°F) contributes toward longer fuel pump life and increased power compared to winter-grade fuel.

Important: Do not use kerosene or gasoline instead of diesel fuel. Failure to observe this caution will damage the engine.

Biodiesel Ready

This machine can also use a biodiesel blended fuel of up to B5 (5% biodiesel, 95% petrodiesel). The petrodiesel portion should be low or ultra low sulfur. Observe the following precautions:

- The biodiesel portion of the fuel must meet specification ASTM D6751 or EN14214.
- The blended fuel composition should meet ASTM D975 or EN590.
- Painted surfaces may be damaged by biodiesel blends.

- Use B5 (biodiesel content of 5%) or lesser blends in cold weather.
- Monitor seals, hoses, gaskets in contact with fuel as they may degrade over time.
- Fuel filter plugging may occur for a time after converting to biodiesel blends.
- Contact your distributor for more information on biodiesel.

Filling the Fuel Tanks

Fuel tank capacity: 35 L (9.3 US gallons) per tank

1. Park the machine on a level surface, engage the parking brake, and lower the loader arms.
2. Shut off the engine and remove the key.
3. Remove the fuel cap.
4. Fill the tank with fuel up to the filler neck.
5. Install the cap.

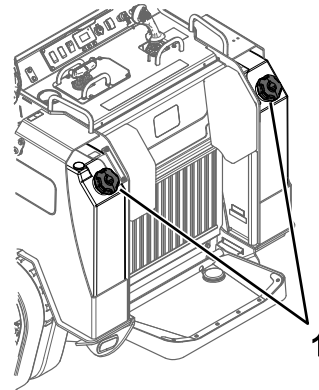


Figure 26

g267130

1. Fuel tank caps

Performing Daily Maintenance

Before starting the machine each day, perform the Each Use/Daily procedures listed in the [Maintenance \(page 27\)](#).

Important: Check the hydraulic-fluid level and bleed the fuel system before starting the engine for the first time; refer to [Checking the Hydraulic-Fluid Level \(page 49\)](#) and [Bleeding the Fuel System \(page 37\)](#).

During Operation

During Operation Safety

General Safety

- Do not transport an attachment/load with the arms raised or extended; always transport the attachments/load close to the ground, with the loader arms retracted.
- Do not exceed the rated operating capacity, as the machine may become unstable, which may result in loss of control. The operating capacity is reduced if you extend the loader arms to the point where you can see the striped decal inside the arms.
- Attachments can change the stability and the operating characteristics of the machine.
- For machines with a platform:
 - Lower the loader arms before stepping off the platform.
 - Do not try to stabilize the machine by putting your foot on the ground. If you lose control of the machine, step off the platform and away from the machine.
 - Do not place your feet under the platform.
 - Do not move the machine unless you are standing with both feet on the platform and your hands are holding onto the reference bars or the loader control.
- Use your full attention while operating the machine. Do not engage in any activity that causes distractions; otherwise, injury or property damage may occur.
- Look behind and down before backing up to ensure that the path is clear.
- Never jerk the controls; use a steady motion.
- The owner/user can prevent and is responsible for accidents that may cause personal injury or property damage.
- Wear appropriate clothing including eye protection, long pants, substantial slip-resistant footwear, and hearing protection; also wear a respirator or dust mask in dusty conditions. Tie back long hair and do not wear loose clothing or loose jewelry.
- Do not operate the machine when you are tired, ill, or under the influence of alcohol or drugs.
- Never carry passengers and keep pets and bystanders away from the machine.
- Operate the machine only in good light, keeping away from holes and hidden hazards.
- Ensure that all the drives are in neutral before starting the engine. Start the engine only from the operator's position on the platform.
- Use care when approaching blind corners, shrubs, trees, or other objects that may obscure vision.
- Slow down and use caution when making turns and crossing roads and sidewalks. Watch for traffic.
- Stop the attachment when you are not working.
- Stop the machine, turn off the engine, remove the key, and inspect the machine if you strike an object. Make any necessary repairs before resuming operation.
- Never run an engine in an enclosed area.
- Never leave a running machine unattended.
- Before leaving the operating position, do the following:
 - Park the machine on a level surface.
 - Lower the loader arms and disengage the auxiliary hydraulics.
 - Engage the parking brake.
 - Shut off the engine and remove the key.
- Do not operate the machine when there is the risk of lightning.
- Operate the machine only in areas where there is sufficient clearance for you to safely maneuver. Be aware of obstacles in close proximity to you. Failure to maintain adequate distance from trees, walls, and other barriers may result in injury as the machine backs up during operation if you are not attentive to the surroundings.
- Check for overhead clearance (i.e., electrical wires, branches, and doorways) before driving under any objects and do not contact them.
- Do not overfill the attachment and always keep the load level when raising the loader arms. Items in the attachment could fall and cause injury.

Slope Safety

- **Operate the machine up and down slopes with the heavy end of the machine uphill.** Weight distribution changes with attachments. An empty load-bearing attachment makes the rear of the machine the heavy end, and a full load-bearing attachment makes the front of the machine the heavy end. Most other attachments make the front of machine the heavy end.
- Raising or extending the loader arms on a slope affects the stability of the machine. Keep the loader arms in the lowered and retracted position when on slopes.

- Slopes are a major factor related to loss of control and tip-over accidents, which can result in severe injury or death. Operating the machine on any slope or uneven terrain requires extra caution.
- Establish your own procedures and rules for operating on slopes. These procedures must include surveying the site to determine which slopes are safe for machine operation. Always use common sense and good judgment when performing this survey.
- Slow down and use extra care on hillsides. Ground conditions can affect the stability of the machine.
- Avoid starting or stopping on a slope. If the machine loses traction, proceed slowly, straight down the slope.
- Avoid turning on slopes. If you must turn, turn slowly and keep the heavy end of the machine uphill.
- Keep all movements on slopes slow and gradual. Do not make sudden changes in speed or direction.
- If you feel uneasy operating the machine on a slope, do not do it.
- Watch for holes, ruts, or bumps, as uneven terrain could overturn the machine. Tall grass can hide obstacles.
- Use caution when operating on wet surfaces. Reduced traction could cause sliding.
- Evaluate the area to ensure that the ground is stable enough to support the machine.
- Use caution when operating the machine near the following:
 - Drop-offs
 - Ditches
 - Embankments
 - Bodies of water

The machine could suddenly roll over if a track goes over the edge or the edge caves in. Maintain a safe distance between the machine and any hazard.

- Do not remove or add attachments on a slope.
- Do not park the machine on a hillside or slope.

Utility Line Safety

- If you strike a utility line, do the following:
 - Shut off the machine and remove the key.
 - Remove all individuals from the work area.
 - Immediately contact the proper emergency and utility authorities to secure the area.

- If you damage a fiber-optic cable, do not look into the exposed light.
- Do not leave the operator's platform if the machine is charged with electricity. You will be safe as long as you do not leave the platform.
 - Touching any part of the machine may ground you.
 - Do not allow another individual to touch or approach the machine when charged.
 - Always assume the machine is charged if you strike an electrical or communication line. Do not attempt to leave the machine.
- Leaking gas is both flammable and explosive and may cause serious injury or death. Do not smoke while operating the machine.

Starting the Engine

1. Ensure that the battery-disconnect switch is in the ON position; refer to [Using the Battery-Disconnect Switch \(page 38\)](#).
2. Ensure that the traction-control is in the NEUTRAL position.
3. Insert the key into the key switch and turn it to the ON position.
4. Turn the key to the START position. When the engine starts, release the key.

Important: Do not engage the starter for more than 10 seconds at a time. If the engine fails to start, wait 30 seconds for the starter to cool down between attempts. Failure to follow these instructions could burn out the starter motor.

Important: Running the engine at high speeds when the hydraulic system is cold (i.e., when the air temperature is at or below freezing) could damage the hydraulic system. When starting the engine in cold conditions, allow it to run at mid-throttle for 2 to 5 minutes before increasing it to high throttle.

Note: If the outdoor temperature is below freezing, store the machine in a garage to keep it warmer and to aid in starting.

Driving the Machine

Use the traction controls to move the machine. The farther you move the traction controls in any direction, the faster the machine moves in that direction. Release the traction controls to stop the machine.

The throttle control regulates the engine speed as measured in rpm (revolutions per minute). Run the engine at high throttle for best performance. You can, however, use the transport speed control in the InfoCenter to operate the machine at lower speeds and retain full engine speed; refer to [Setting the Maximum Transport Speed](#) (page 16).

Shutting Off the Engine

1. Park the machine on a level surface and lower the loader arms.
2. Disengage the auxiliary hydraulics.
3. Set the throttle to low idle.
4. If the engine has been working hard or is hot, let it idle for 5 minutes before turning the key switch to the OFF position.

Note: This helps to cool the engine before you shut it off. In an emergency, you can shut off the engine immediately.

5. Turn the key switch to the OFF position and remove the key.

CAUTION

A child or untrained bystander could attempt to operate the traction unit and be injured.

Remove the key from the key switch when leaving the traction unit, even if just for a few seconds.

Using Attachments

This is a multipurpose machine intended for use in various activities. It is designed to operate safely with a variety of Toro-manufactured attachments, each of which performs a specialized function. Toro accepts no liability for machine damage or personal injury that results from the use of other manufacturers attachments. The user accepts the burden of these risks.

Read the attachment *Operator's Manual* before you use the attachment.

Important: Attachments can change the stability and the operating characteristics of the machine.

Installing an Attachment

Important: Before installing the attachment, ensure that the mount plates are free of any dirt or debris and that the pins rotate freely. If the pins do not rotate freely, grease them.

1. Position the attachment on a level surface with enough space behind it to accommodate the machine.
2. Rotate the quick-attach levers outward to raise the quick-attach pins (Figure 27).

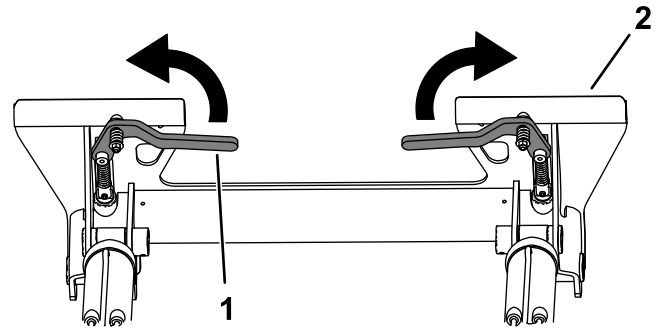


Figure 27

g215372

1. Quick-attach lever
2. Attachment mount plate

3. Start the engine.
4. Tilt the attachment mount plate forward.
5. Position the mount plate into the upper lip of the attachment receiver plate (Figure 28).

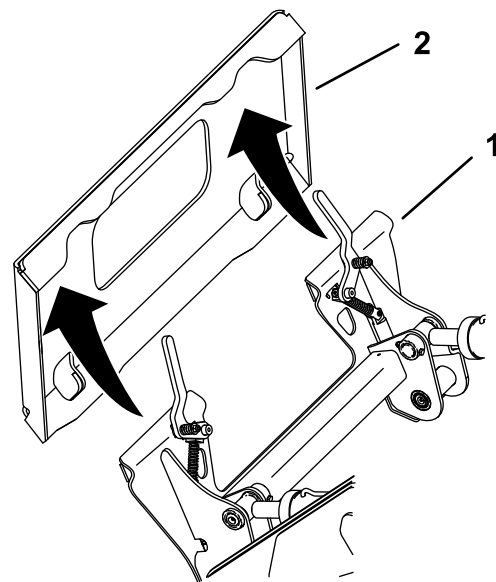


Figure 28

g215373

1. Mount plate
2. Receiver plate

6. Raise the loader arms while tilting back the mount plate at the same time.

Important: Raise the attachment enough to clear the ground and tilt the mount plate all the way back.

7. Shut off the engine and remove the key.
8. Rotate the quick-attach levers inward, ensuring that the quick-attach pins are fully seated in the mount plate.

⚠ WARNING

If you do not fully seat the quick-attach pins through the attachment mount plate, the attachment could fall off the machine, crushing you or bystanders.

Ensure that the quick-attach pins are fully seated in the attachment mount plate.

Connecting the Hydraulic Hoses

⚠ WARNING

Hydraulic fluid escaping under pressure can penetrate skin and cause injury. Fluid injected into the skin must be surgically removed within a few hours by a doctor familiar with this form of injury; otherwise, gangrene may result.

- Keep your body and hands away from pinhole leaks or nozzles that eject high-pressure hydraulic fluid.
- Use cardboard or paper to find hydraulic leaks; never use your hands.

⚠ CAUTION

Hydraulic couplers, hydraulic lines/valves, and hydraulic fluid may be hot. If you contact hot components, you may be burned.

- Wear gloves when operating the hydraulic couplers.
- Allow the machine to cool before touching hydraulic components.
- Do not touch hydraulic fluid spills.

If the attachment requires hydraulics for operation, connect the hydraulic hoses as follows:

1. Shut off the engine and remove the key.
2. Remove the protective covers from the hydraulic connectors on the machine.
3. Ensure that all foreign matter is cleaned from the hydraulic connectors.

4. Push the attachment female connector onto the male connector on the machine.
5. Push the attachment male connector into the female connector on the machine.
6. Confirm that the connection is secure by pulling on the hoses.

Removing an Attachment

1. Park the machine on a level surface.
2. Lower the attachment to the ground.
3. Shut off the engine and remove the key.
4. Raise the quick-attach pins by rotating the levers outward.
5. If the attachment uses hydraulics, slide the collars back on the hydraulic couplers and disconnect them.

Important: Connect the attachment hoses together to prevent hydraulic system contamination during storage.

⚠ CAUTION

Hydraulic couplers, hydraulic lines/valves, and hydraulic fluid may be hot. If you contact hot components, you may be burned.

- Wear gloves when operating the hydraulic couplers.
 - Allow the machine to cool before touching hydraulic components.
 - Do not touch hydraulic fluid spills.
6. Install the protective covers onto the hydraulic couplers on the machine.
 7. Start the engine, tilt the mount plate forward, and back the machine away from the attachment.

Understanding Smart Power® Traction

The Smart Power® function senses the load on the engine and adjusts the maximum traction speed while maintaining the engine speed so that you can optimize performance in powered attachments. For example, when using the trencher attachment, Smart Power will reduce the traction speed so that you have maximum, continuous power while digging.

Engage the attachment hydraulics and slowly move the traction control to activate Smart Power.

Understanding the Smart Load System

When you raise the loader arms above a certain level (approximately parallel to the ground), the Smart Load system will automatically reduce the maximum traction speed to 50%. The engine speed will remain the same.

Note: If the maximum traction speed is already set 50% or below in the InfoCenter, the traction speed will not automatically change.

For telescoping machines:

The Smart Load system also measures the hydraulic pressure in the loader arm cylinders to determine the maximum reach.

When you extend the loader arms to the maximum reach for the arm height and load weight, the arms will stop extending and the InfoCenter will display the Smart Load icon (Figure 29).

To extend the loader arms further, lighten the load.

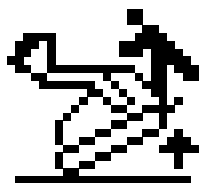


Figure 29

g270732

After Operation

After Operation Safety

- Shut off the engine, remove the key, wait for all movement to stop, and allow the machine to cool before adjusting, cleaning, storing, or servicing it.
- Clean debris from the attachments, drives, mufflers, and engine to help prevent fires. Clean up oil or fuel spills.
- Keep all parts in good working condition and all hardware tightened.
- Do not touch parts that may be hot from operation. Allow them to cool before attempting to maintain, adjust, or service the machine.
- Use care when loading or unloading the machine into a trailer or truck.

Moving a Non-Functioning Machine

In an emergency, the machine can be moved forward by actuating the bypass valve in the hydraulic pump and pushing or towing the machine.

Important: Do not tow or pull the machine without bypassing the parking brake or you will damage the hydraulic system.

1. Shut off the engine and remove the key.
2. Remove the bottom plate; refer to [Removing the Bottom Plate \(page 30\)](#)
3. For each drive motor, remove the plug and install a screw (M8–1.25 x 40 mm) and washer (M8 x 16 mm) in its place (Figure 30). Hand-tighten the hardware.

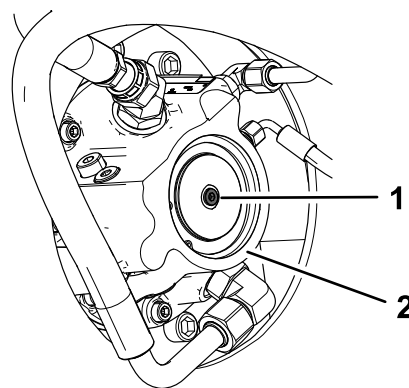


Figure 30

g263991

1. Remove this plug and
2. Track drive motor install a screw and washer.

4. Use hand tools to rotate the hardware counterclockwise until the brake is released or you cannot rotate the screw (Figure 29).
5. On the left side of the hydraulic pump, rotate the 4 bypass valves 3 full turns counter-clockwise to open and allow the oil to bypass internally.

Note: Do not open more than 3 turns. Because fluid is bypassed, you can slowly move the machine without damaging the transmission.

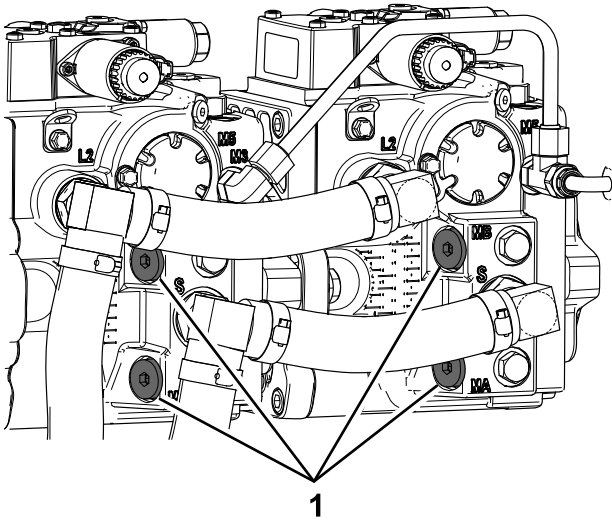


Figure 31

g267326

1. Bypass valve

6. Tow the machine as required using the tie-down locations (see [Figure 34](#)).

Important: Do not push or tow the machine faster than 3 to 4.8 km/h (2 to 3 mph) for longer than 3 minutes, because you may damage the transmission. The bypass valves must be open whenever you push or tow the machine.

7. Close the bypass valves and torque them to 70 N·m (52 ft-lb).

8. Remove the screw and install the plug into each track drive motor and torque to 8 to 12 N·m (71 to 103 in-lb) before operating the machine.

9. Replace any fluid lost during this procedure; refer to [Replacing the Drive-Motor Planetary Gear Oil](#) (page 41).

Hauling the Machine

Use a heavy-duty trailer or truck to haul the machine. Use a full-width ramp. Ensure that the trailer or truck has all the necessary brakes, lighting, and marking as required by law. Please carefully read all the safety instructions. Knowing this information could help you or bystanders avoid injury. Refer to your local ordinances for trailer and tie-down requirements.

⚠ WARNING

Driving on the street or roadway without turn signals, lights, reflective markings, or a slow-moving-vehicle emblem is dangerous and can lead to accidents causing personal injury.

Do not drive the machine on a public street or roadway.

Selecting a Trailer

⚠ WARNING

Loading a machine onto a trailer or truck increases the possibility of tip-over and could cause serious injury or death ([Figure 32](#)).

- Use only full-width ramps.
- Ensure that the length of ramp is at least 4 times as long as the height of the trailer or truck bed to the ground. This ensures that ramp angle does not exceed 15 degrees on flat ground.

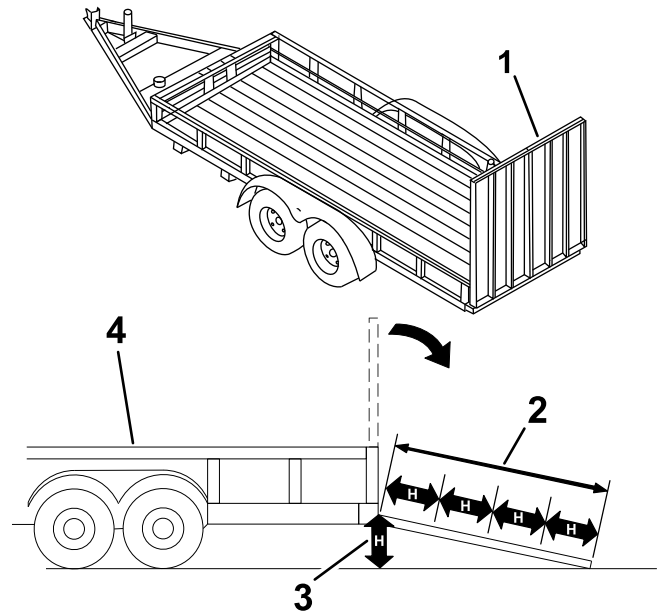


Figure 32

g229507

- | | |
|---|---|
| 1. Full-width ramp(s) in stowed position | 3. H=height of the trailer or truck bed to the ground |
| 2. Ramp is at least 4 times as long as the height of the trailer or truck bed to the ground | 4. Trailer |

Loading the Machine

⚠ WARNING

Loading a machine onto a trailer or truck increases the possibility of tip-over and could cause serious injury or death.

- Use extreme caution when operating a machine on a ramp.
- Load and unload the machine with the heavy end up the ramp.
- Avoid sudden acceleration or deceleration while driving the machine on a ramp as this could cause a loss of control or a tip-over situation.

1. If using a trailer, connect it to the towing vehicle and connect the safety chains.
2. If applicable, connect the trailer brakes.
3. Lower the ramp(s).
4. Lower the loader arms.
5. Load the machine onto the trailer with the heavy end up the ramp, carrying loads low (Figure 33).
 - If the machine has a **full** load-bearing attachment (e.g., bucket) or a non-load-bearing attachment (e.g., trencher), drive the machine forward up the ramp.
 - If the machine has an **empty** load-bearing attachment or no attachment, back the machine up the ramp.

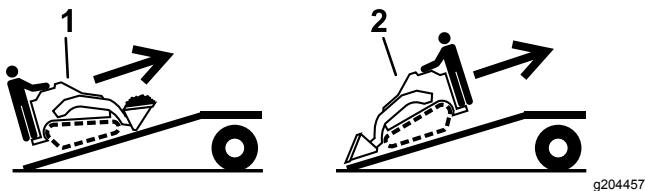


Figure 33

1. Machine with full attachment or non-load-bearing attachment—drive the machine forward up the ramp(s).
2. Machine with empty or no attachment—back the machine up the ramp(s).

Important: Do not use the tie-down loops to lift the machine.

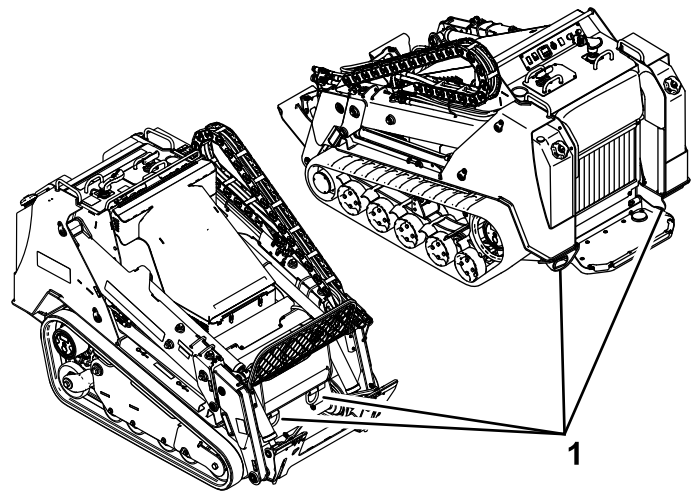


Figure 34

1. Tie-down loops

Unloading the Machine

1. Lower the ramp(s).
2. Unload the machine from the trailer with the heavy end up the ramp, carrying loads low (Figure 35).
 - If the machine has a **full** load-bearing attachment (e.g., bucket) or a non-load-bearing attachment (e.g., trencher), back it down the ramp.
 - If the machine has an **empty** load-bearing attachment or no attachment, drive it forward down the ramp.

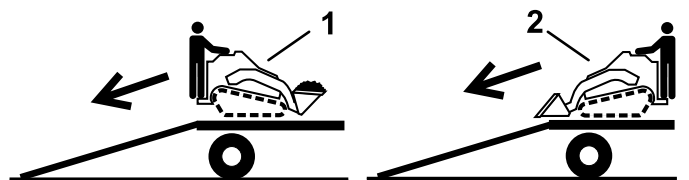


Figure 35

1. Machine with full attachment or non-load-bearing attachment—back the machine down the ramp(s).
2. Machine with empty or no attachment—drive the machine forward down the ramp(s).

6. Lower the loader arms all the way down.
7. Engage the parking brake (if equipped), shut off the engine, and remove the key.
8. Use the metal tie-down loops on the machine to securely fasten the machine to the trailer or truck with straps, chains, cable, or ropes (Figure 34). Refer to local regulations for tie-down requirements.

Maintenance

Note: Determine the left and right sides of the machine from the normal operating position.

⚠ CAUTION

If you leave the key in the switch, someone could accidentally start the engine and seriously injure you or other bystanders.

Remove the key from the switch before you perform any maintenance.

Maintenance Safety

- Park the machine on a level surface, disengage the auxiliary hydraulics, lower the attachment, engage the parking brake (if equipped), shut off the engine, and remove the key. Wait for all movement to stop and allow the machine to cool before adjusting, cleaning, storing, or repairing it.
- Clean up oil or fuel spills.
- Do not allow untrained personnel to service the machine.
- Use jack stands to support the components when required.
- Carefully release pressure from components with stored energy; refer to [Relieving Hydraulic Pressure \(page 48\)](#).
- Disconnect the battery before making any repairs; refer to [Using the Battery-Disconnect Switch \(page 38\)](#).
- Keep your hands and feet away from the moving parts. If possible, do not make adjustments with the engine running.
- Keep all parts in good working condition and all hardware tightened. Replace all worn or damaged decals.
- Do not tamper with the safety devices.
- Attachments can change the stability and the operating characteristics of the machine.
- Use only genuine Toro replacement parts.
- If any maintenance or repair requires the loader arms to be in the raised position, secure the arms in the raised position with the hydraulic-cylinder lock(s).

Recommended Maintenance Schedule(s)

Maintenance Service Interval	Maintenance Procedure
After the first 8 hours	<ul style="list-style-type: none"> • Check and adjust the track tension.
After the first 50 hours	<ul style="list-style-type: none"> • Change the engine oil and filter. • Check and adjust the track tension.
Before each use or daily	<ul style="list-style-type: none"> • Grease the machine. (Grease immediately after every washing.) • Check and lubricate the quick-attach linkages using spray lubricant. • Check the air-filter-service indicator. • Check the engine-oil level. • Clean the tracks and check for excessive wear and proper tension. • Clean the screen, oil cooler, and front of the radiator (more often in dirty or dusty conditions). • Check the coolant level in the expansion tank. • Check and clean the radiator screen • Check the condition of the alternator belt. • Remove debris from the machine. • Check for loose fasteners.
Every 25 hours	<ul style="list-style-type: none"> • Check the hydraulic-fluid level. • Torque the loader arm adjustment screws (telescoping machines only).
Every 50 hours	<ul style="list-style-type: none"> • Drain water and other contaminants from the fuel filter/water separator. • Check the battery condition. • Check and adjust the track tension.

Maintenance Service Interval	Maintenance Procedure
Every 100 hours	<ul style="list-style-type: none"> • Clean and lubricate the underside of the traction controls. • Remove the air-cleaner cover and clean out debris. (Clean more often in dirty or dusty conditions.) • Check the cooling system hoses. • Adjust the alternator belt tension. • Check the hydraulic lines for leaks, loose fittings, kinked lines, loose mounting supports, wear, weather, and chemical deterioration. • Check for dirt buildup in the chassis. • Check the alternator/fan belt tension (refer to the engine owner's manual for instructions).
Every 400 hours	<ul style="list-style-type: none"> • Change the engine oil and filter. (Service more frequently if conditions are extremely dusty or sandy.) • Replace the fuel filter canister. • Check the fuel lines and connections for deterioration, damage, or loose connections. • Replace the hydraulic oil and filters (if not using Toro fluid).
Every 500 hours	<ul style="list-style-type: none"> • Replacing the water separator filter. • Drain and clean the fuel tank(s)—Authorized Service Dealer only. • Replace the alternator belt—Authorized Service Dealer only • Replace the alternator/fan belt (refer to the engine owner's manual for instructions).
Every 800 hours	<ul style="list-style-type: none"> • Change the engine coolant.
Every 1,000 hours	<ul style="list-style-type: none"> • Replace the drive-motor planetary gear oil. • Replace the hydraulic oil and filters (if using Toro fluid).
Every 1,500 hours	<ul style="list-style-type: none"> • Replace all moving hydraulic hoses.
Yearly	<ul style="list-style-type: none"> • Replace the air-cleaner filter.
Yearly or before storage	<ul style="list-style-type: none"> • Check and adjust the track tension. • Touch up chipped paint.
Every 2 years	<ul style="list-style-type: none"> • Replace all moving hydraulic hoses.

Important: Refer to your engine owner's manual for additional maintenance procedures.

Pre-Maintenance Procedures

Using the Cylinder Locks

⚠ WARNING

The loader arms may lower when in the raised position, crushing anyone under them.

Install the cylinder lock(s) before performing maintenance that requires raised loader arms.

Installing the Cylinder Locks

1. Remove the attachment.
2. Raise the loader arms to the fully raised position.
3. Shut off the engine and remove the key.
4. Remove the 2 pins securing the cylinder lock to the posts on the side of the machine.

5. Slide the cylinder lock over the lift-cylinder rod (Figure 36).

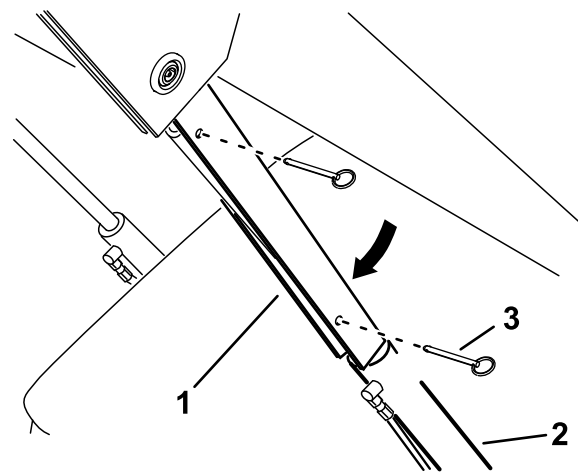


Figure 36

1. Cylinder lock
2. Lift-cylinder rod
3. Pin (2)

g267536

6. Repeat step 4 and 5 for the other side of the machine.
7. **Slowly** lower the loader arms until the cylinder locks contact the cylinder bodies and rod ends.

Removing and Storing the Cylinder Locks

Important: Remove the cylinder locks from the rods and fully secure them in the storage position before operating the machine.

1. Start the engine.
2. Raise the loader arms to the fully raised position.
3. Shut off the engine and remove the key.
4. Remove the pins securing the cylinder locks.
5. Place the cylinder locks on the posts on the sides of the machine and secure with the pins.
6. Lower the loader arms.

Accessing Internal Components

⚠ WARNING

Opening or removing covers, hoods, and screens while the engine is running could allow you to contact moving parts, seriously injuring you.

Before opening any of the covers, hoods, and screens, shut off the engine, remove the key from the key switch, and allow the engine to cool.

Opening the Hood

1. Raise the loader arms and install the cylinder lock.
2. Shut off the engine and remove the key.
3. Loosen the hood-locking screw (Figure 37).

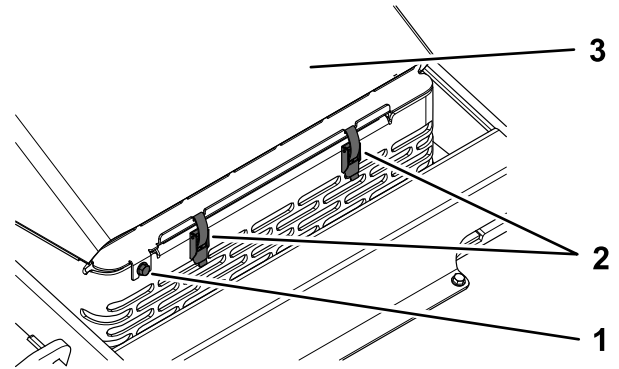


Figure 37

- | | |
|-----------------------|---------|
| 1. Hood-locking screw | 3. Hood |
| 2. Hood-latch lever | |

4. Hold the hood down and release the 2 latches (Figure 37).
5. Lift open the hood (Figure 37).

Closing the Hood

1. Lower the hood, and hold it down while you secure the latches..
2. Tighten the hood-locking screw (Figure 37).
3. Remove the cylinder locks and lower the loader arms.

Opening the Rear-Access Cover

1. Remove the fastener (Figure 38).

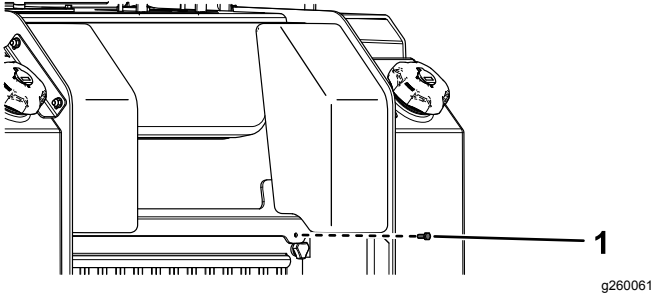


Figure 38

1. Fastener

2. Lift the rear-access cover up and secure the prop rod to access the internal components (Figure 39).

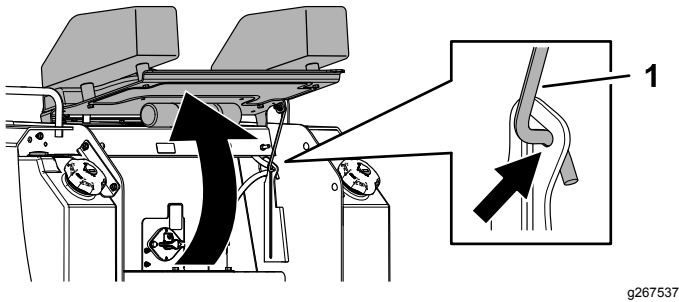


Figure 39

1. Prop rod

Removing the Rear Screen

1. Open the rear-access cover; refer to [Opening the Rear-Access Cover \(page 30\)](#).
2. Loosen the 2 bolts securing the bottom of the screen (Figure 40).
3. Loosen the 2 knobs on the screen (Figure 40).

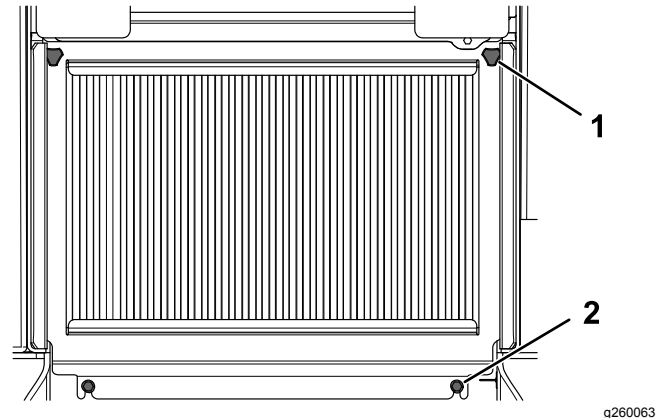


Figure 40

1. Knob (2)
2. Bolt (2)

4. Lift the screen and remove it (Figure 40).

Removing the Bottom Plate

1. Remove the 2 bolts securing the bottom plate (Figure 41).

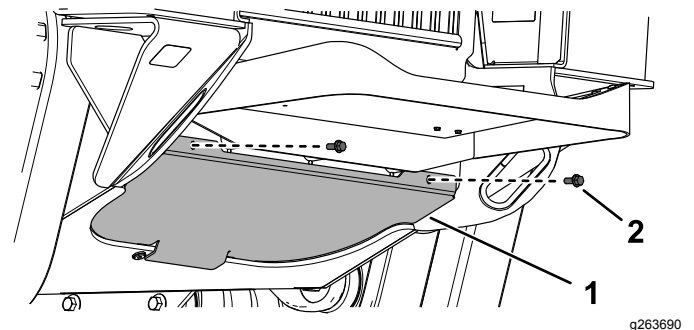


Figure 41

1. Bottom plate
2. Bolt

2. Remove the bottom plate.

Removing the Front Cover

1. Raise the loader arms and secure them with the cylinder locks.
2. Loosen the 2 bolts (Figure 42).

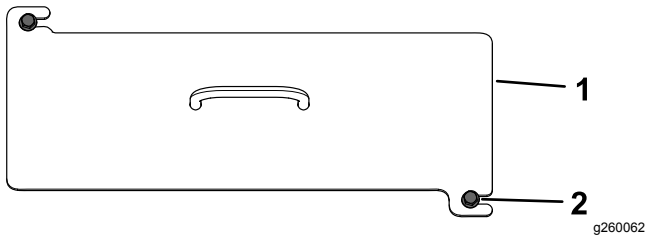


Figure 42

1. Front cover
2. Bolt (2)

3. Slide the cover off the machine.
4. When installing the cover, torque the bolts to 41 N·m (30 ft-lb).

Removing the Right Access Cover

1. Raise the loader arms and secure them with the cylinder locks; refer to [Using the Cylinder Locks \(page 28\)](#).
2. Remove the bolt and unlatch the cover (Figure 43).

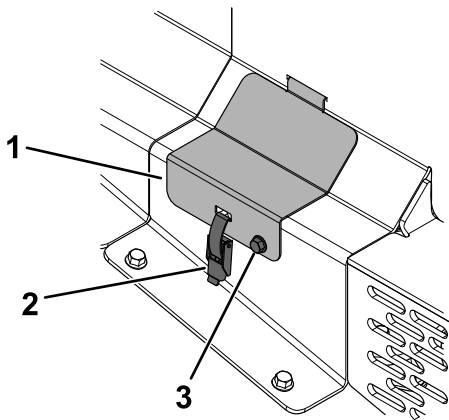


Figure 43

1. Right access cover
2. Latch
3. Bolt

3. Remove the cover.

Lubrication

Lubricating the Machine

Service Interval: Before each use or daily (Grease immediately after every washing.)

Grease Type: General-purpose grease.

1. Park the machine on a level surface, engage the parking brake, and lower the loader arms.
2. Shut off the engine and remove the key.
3. Clean the grease fittings with a rag.
4. Connect a grease gun to each fitting (Figure 44, Figure 45, and Figure 46).

Note: Raise the loader arms before greasing the fittings in Figure 46.

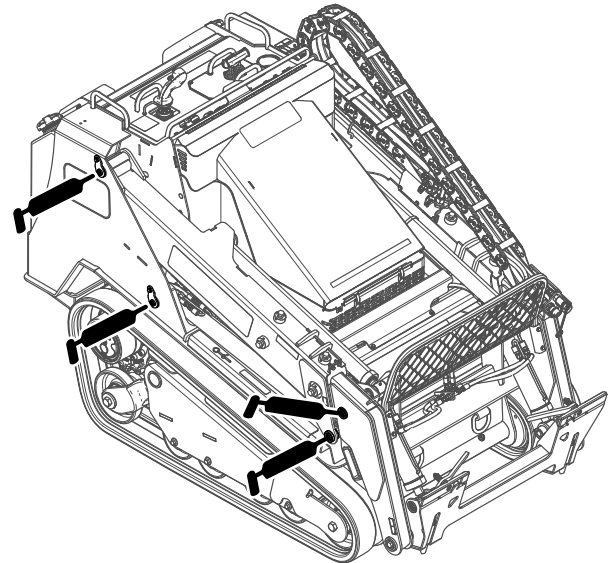


Figure 44

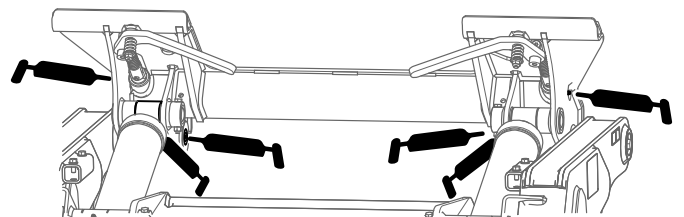


Figure 45

Engine Maintenance

Engine Safety

- Shut off the engine and remove the key before checking the oil or adding oil to the crankcase.
- Keep your hands, feet, face, clothing, and other body parts away from the muffler and other hot surfaces.

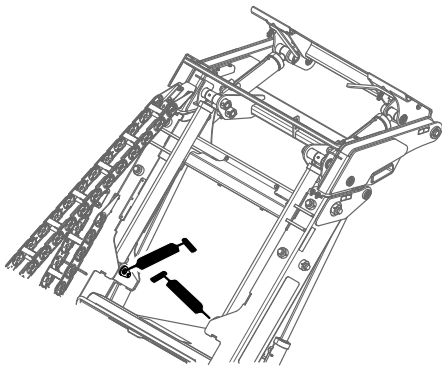


Figure 46

g264003

5. Pump grease into the fittings until grease begins to ooze out of the bearings (approximately 3 pumps).
6. Wipe up any excess grease.
7. Lubricate the quick-attach linkages using spray lubricant (Figure 47).

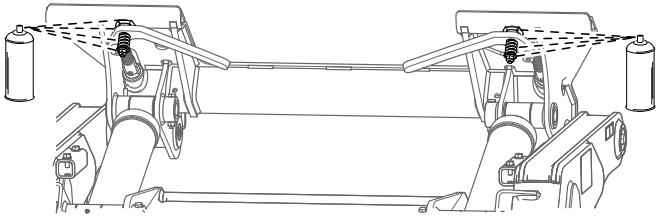


Figure 47

g269591

Servicing the Air Cleaner

Service Interval: Before each use or daily—Check the air-filter-service indicator.

Every 100 hours—Remove the air-cleaner cover and clean out debris. (Clean more often in dirty or dusty conditions.)

Yearly—Replace the air-cleaner filter.

Check the air-cleaner body for damage, which could cause an air leak. Replace the body if it is damaged. Check the intake system for leaks, damage, or loose hose clamps.

Service the air-cleaner filter only when the service indicator (Figure 48) requires it. Changing the air filter before it is necessary increases the chance of dirt entering the engine when you remove the filter.

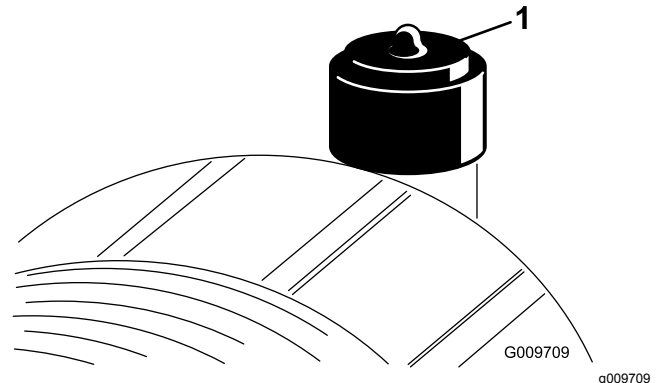


Figure 48

1. Air-cleaner indicator

Important: Ensure that the cover is seated correctly and seals with the air-cleaner body.

1. Replace the air cleaner (Figure 49).

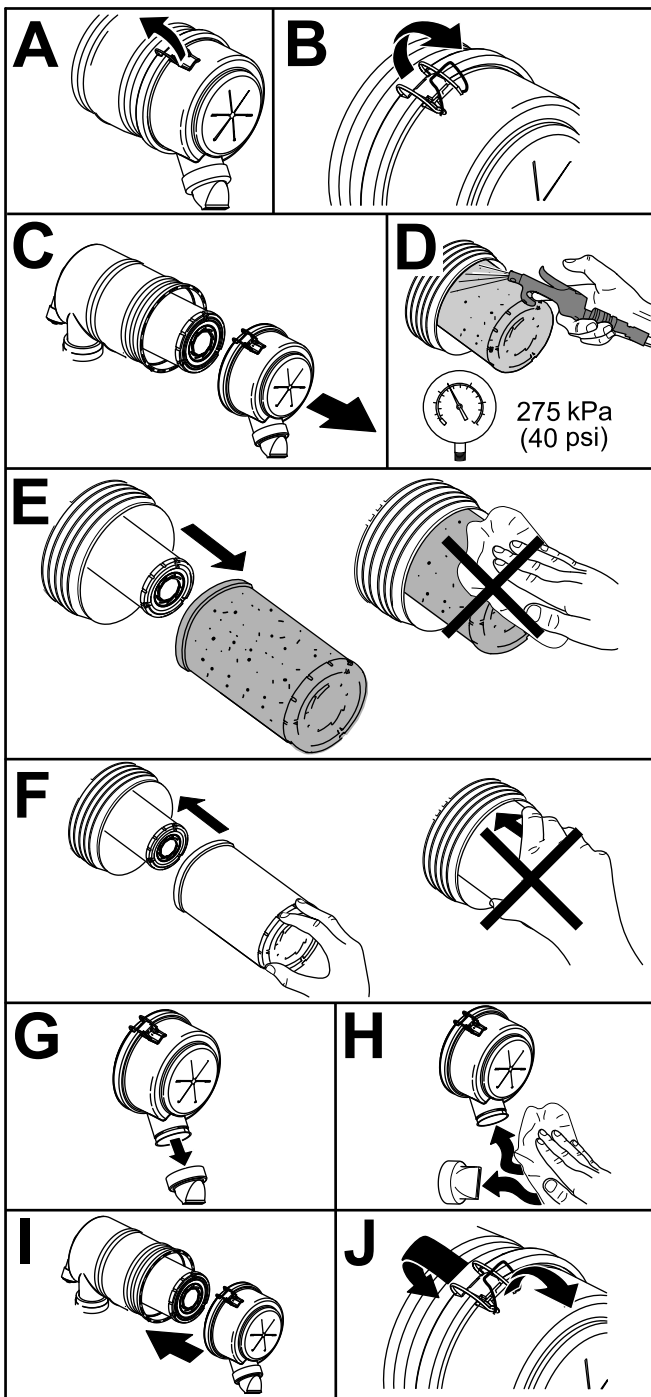


Figure 49

g253706

Note: Do not clean a used element; cleaning it can damage the filter media.

Important: Never attempt to clean the safety filter (Figure 50). Replace the safety filter after every 3 primary filter services.

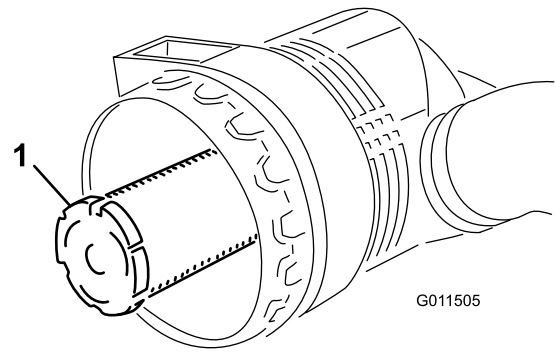


Figure 50

g011505

1. Air-cleaner safety filter
2. Reset the indicator (Figure 48) if it shows red.

Servicing the Engine Oil

Service Interval: Before each use or daily—Check the engine-oil level.

After the first 50 hours—Change the engine oil and filter.

Every 400 hours—Change the engine oil and filter. (Service more frequently if conditions are extremely dusty or sandy.)

Engine-Oil Specifications

Oil Type: Detergent diesel engine oil (API service CH-4 or higher)

Crankcase Capacity: with filter 7.0 L (1.85 US gallons)

Viscosity: See the table below.

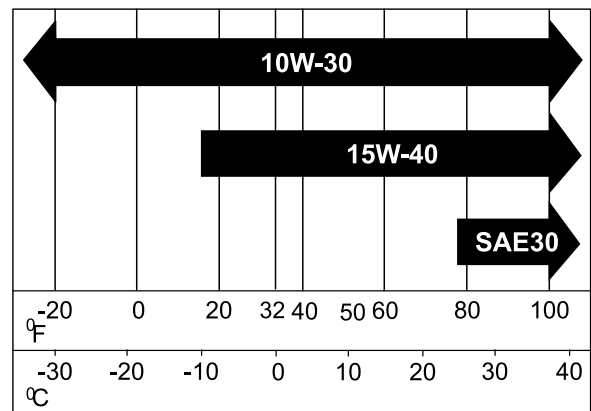


Figure 51

g261157

Checking the Engine-Oil Level

1. Park the machine on a level surface, engage the parking brake, and lower the loader arms.
2. Shut off the engine, remove the key, and allow the engine to cool.
3. Remove the right access cover; refer to [Removing the Right Access Cover \(page 31\)](#).
4. Open the hood.
5. Clean the area around the oil dipstick and oil-fill cap (Figure 52).

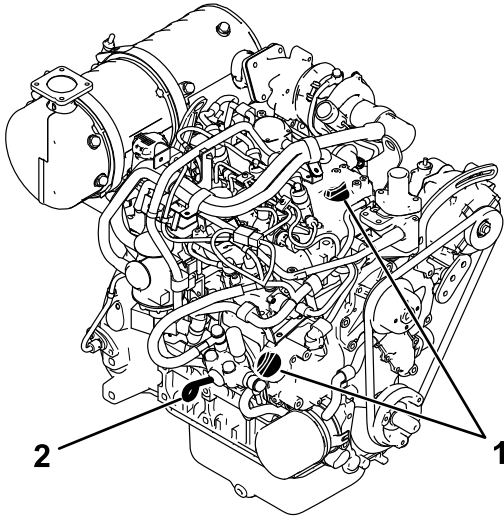


Figure 52

g261233

1. Oil-fill cap
2. Oil dipstick

6. Check the oil and add additional oil as needed (Figure 53).

Important: Do not overfill the crankcase with oil; if the oil in the crankcase is too high and you run the engine, you may damage the engine.

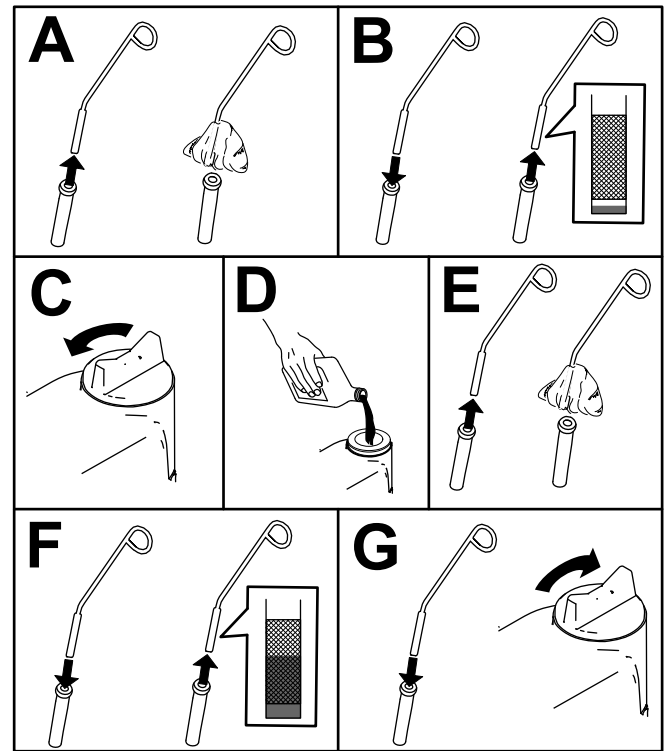


Figure 53

g264959

7. Close the hood.
8. Install the right access cover.

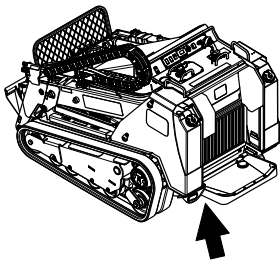
Changing the Engine Oil and Filter

1. Start the engine and let it run for 5 minutes.
Note: This warms the oil so that it drains better.
2. Park the machine on a level surface.
3. Raise the loader arms and secure with the cylinder locks; refer to [Installing the Cylinder Locks \(page 28\)](#).
4. Engage the parking brake, shut off the engine, and remove the key.
5. Drain the oil beneath the platform (Figure 54).

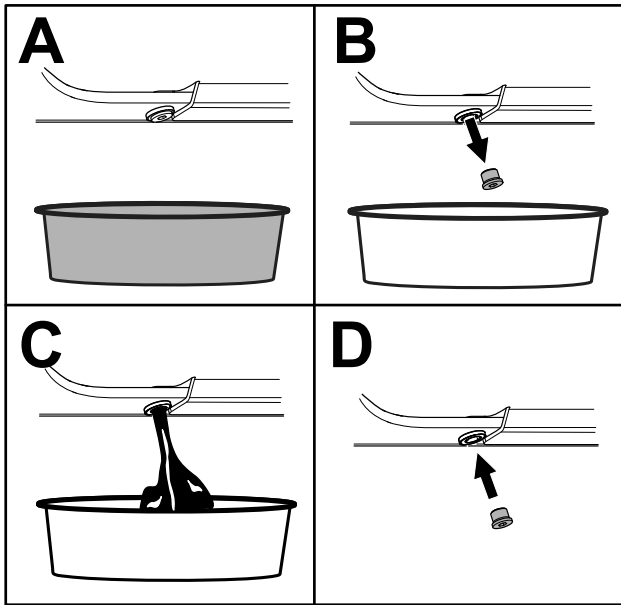
CAUTION

Components will be hot if the machine has been running. If you touch hot components, you may be burned.

Use care to avoid touching hot components while changing the oil and/or filter.

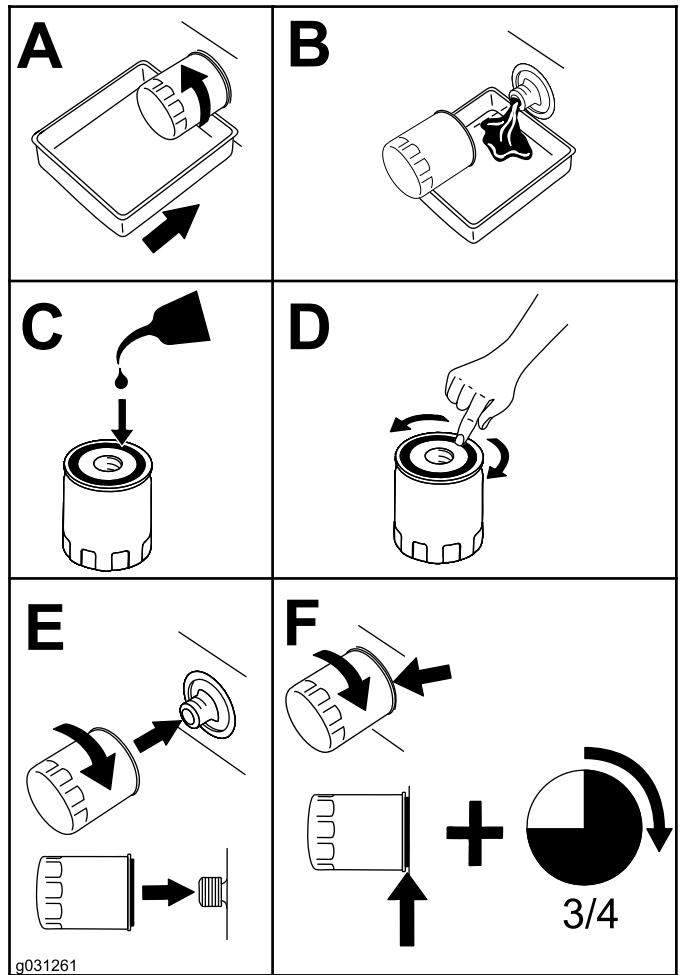


g261345



g261346

Figure 54



g031261

g031261

Figure 55

6. Torque the drain plug to 46 to 56 N·m (34 to 42 ft-lb).
7. Open the hood and secure the prop rod (if applicable).
8. Remove the front cover; refer to [Removing the Front Cover \(page 31\)](#).
9. Remove the right access cover; refer to [Removing the Right Access Cover \(page 31\)](#).
10. Place a shallow pan or rag under the filter to catch oil.
11. Change the oil filter ([Figure 55](#)).

12. Remove the oil-fill cap and slowly pour approximately 80% of the specified amount of oil in through the valve cover.
13. Check the oil level.
14. Slowly add additional oil to bring the level to the upper hole on the dipstick.
15. Replace the fill cap.
16. Install the right access cover.
17. Install the front cover.
18. Close the hood.

Fuel System Maintenance

⚠ DANGER

In certain conditions, fuel is extremely flammable and highly explosive. A fire or explosion from fuel can burn you and others and can damage property.

Refer to [Fuel Safety \(page 18\)](#) for a complete list of fuel related precautions.

Draining the Water Separator

Service Interval: Every 50 hours

1. Park the machine on a level surface, engage the parking brake, and lower the loader arms.
2. Shut off the engine and remove the key.
3. Open the rear access cover; refer to [Opening the Rear-Access Cover \(page 30\)](#)
4. Remove the rear screen; refer to [Removing the Rear Screen \(page 30\)](#)
5. Place a container under the water separator.
6. Disconnect the wire harness from the water separator ([Figure 56](#)).

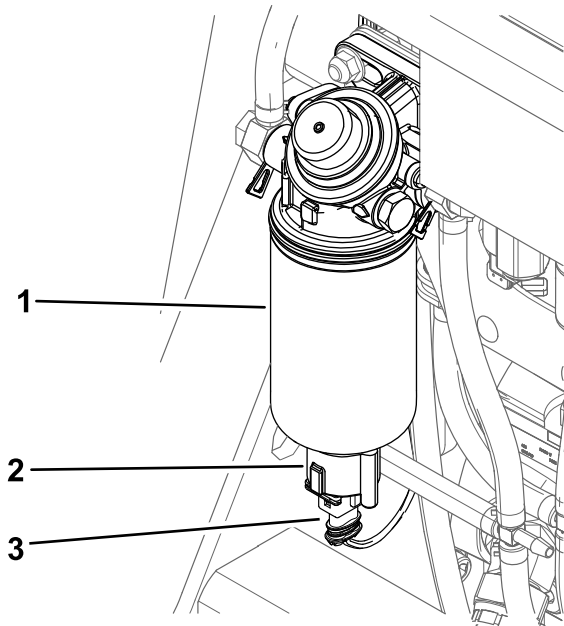


Figure 56

g264250

1. Water separator
2. Switch
3. Drain valve

7. Unscrew the switch from bottom of the filter canister and allow the water to drain ([Figure 56](#)).

8. Install the switch ([Figure 56](#)).
9. Connect the wire harness to the switch ([Figure 56](#)).
10. Install the rear screen and tighten the knobs and bolts to secure it.
11. Close the rear-access cover and install the fastener to secure it.
12. Bleed the fuel system; refer to [Bleeding the Fuel System \(page 37\)](#).

Replacing the Water Separator Filter

Service Interval: Every 500 hours

1. Park the machine on a level surface, engage the parking brake, and lower the loader arms.
2. Shut off the engine and remove the key.
3. Open the rear access cover; refer to [Opening the Rear-Access Cover \(page 30\)](#).
4. Remove the rear screen; refer to [Removing the Rear Screen \(page 30\)](#).
5. Disconnect the wire harness from the water separator.
6. Unscrew the switch and drain the water separator ([Figure 56](#)).
7. Clean the area where the filter mounts.
8. Remove the filter and clean the mounting surface.
9. Lubricate the gasket on the filter with clean oil.
10. Install the filter by hand until the gasket contacts the mounting surface; then rotate an additional 1/2 turn.
11. Install the switch to the filter.
12. Connect the wire harness to the switch.
13. Install the rear screen and tighten the knobs and bolts.
14. Close the rear-access cover and install the fastener.

Replacing the Fuel Filter Canister

Service Interval: Every 400 hours

1. Park the machine on a level surface, engage the parking brake, and lower the loader arms.
2. Shut off the engine and remove the key.
3. Open the rear access cover; refer to [Opening the Rear-Access Cover \(page 30\)](#)
4. Remove the rear screen; refer to [Removing the Rear Screen \(page 30\)](#)
5. Place a clean container under the fuel filter canister ([Figure 57](#)).

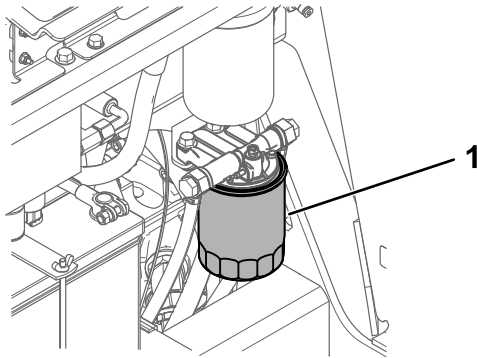


Figure 57

g261736

1. Fuel filter canister

6. Remove the filter canister and clean the mounting surface.
7. Lubricate the gasket on the new filter canister with clean oil.
8. Fill the canister with fuel.
9. Install the filter canister by hand until the gasket contacts the mounting surface, then rotate it an additional 1/2 turn.
10. Install the rear screen and tighten the knobs and bolts to secure it.
11. Close the rear-access cover and install the fastener to secure it.

Checking the Fuel Lines and Connections

Service Interval: Every 400 hours/Yearly (whichever comes first)

Inspect the fuel lines and connections for deterioration, damage, or loose connections. Tighten any loose connections and contact your Authorized Service Dealer for assistance in fixing damaged fuel lines.

Bleeding the Fuel System

You must bleed the fuel system before starting the engine if any of the following situations have occurred:

- Initial startup of a new machine
- The engine has ceased running due to a lack of fuel.
- Maintenance has been performed upon fuel-system components (e.g., filter replaced).

Use the manual pump on the water separator to bleed air out of the fuel system.

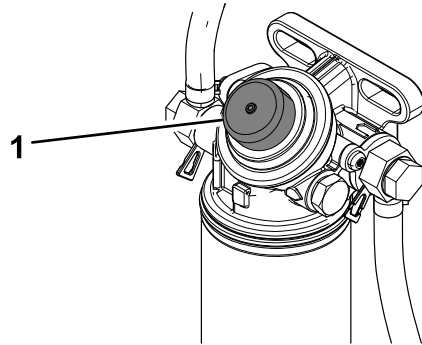


Figure 58

g263481

1. Manual pump

Draining the Fuel Tank(s)

Service Interval: Every 500 hours

Have an Authorized Service Dealer drain and clean the fuel tank(s).

Electrical System Maintenance

Electrical System Safety

- Disconnect the battery before repairing the machine. Disconnect the negative terminal first and the positive last. Connect the positive terminal first and the negative last.
- Charge the battery in an open, well-ventilated area, away from sparks and flames. Unplug the charger before connecting or disconnecting the battery. Wear protective clothing and use insulated tools.
- Battery acid is poisonous and can cause burns. Avoid contact with skin, eyes, and clothing. Protect your face, eyes, and clothing when working with a battery.
- Battery gases can explode. Keep cigarettes, sparks, and flames away from the battery.

Servicing the Battery

Service Interval: Every 50 hours—Check the battery condition.

Using the Battery-Disconnect Switch

1. Park the machine on a level surface, engage the parking brake, and lower the loader arms.
2. Shut off the engine and remove the key.
3. Open the rear-access cover.
4. Turn the battery-disconnect switch to the ON or OFF position to perform the following:
 - To energize the machine electrically, rotate the battery-disconnect switch clockwise to the ON position (Figure 59).
 - To de-energize the machine electrically, rotate the battery-disconnect switch counterclockwise to the OFF position (Figure 59).

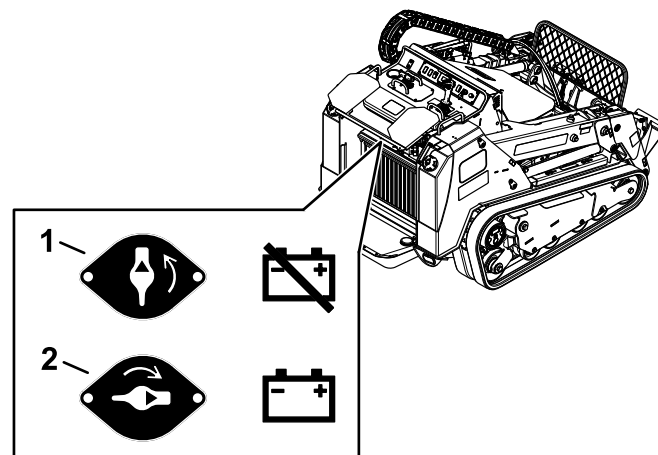


Figure 59

g261512

1. Battery-disconnect switch—OFF position
2. Battery-disconnect switch—ON position

Removing the Battery

1. Park the machine on a level surface, engage the parking brake, and lower the loader arms.
2. Shut off the engine and remove the key.
3. Remove the rear screen; refer to [Removing the Rear Screen \(page 30\)](#).
4. Disconnect the negative (black) ground cable from the battery post (Figure 60). Retain the fasteners.

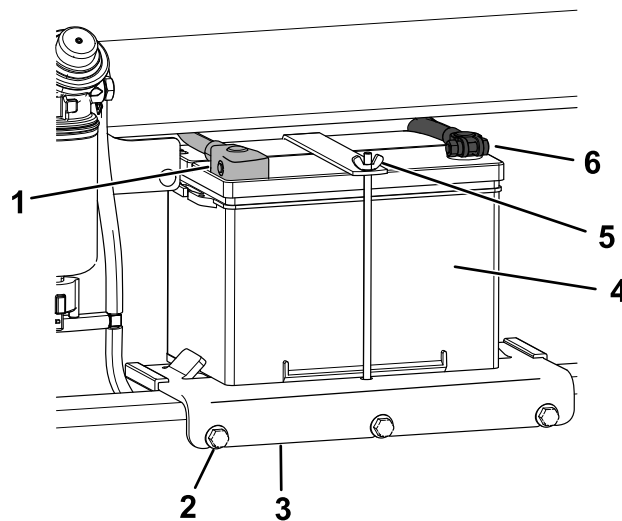


Figure 60

g263732

1. Positive cable
2. Bolt (3)
3. Battery tray
4. Battery
5. Wing nut
6. Negative cable

5. Slide the rubber cover off the positive (red) cable.
6. Disconnect the positive (red) cable from the battery post (Figure 60). Retain the fasteners.

- Loosen the 3 bolts securing the battery tray and remove the tray with the battery (Figure 60).
- Remove the wing nut and rod.
- Remove the battery.

Charging the Battery

⚠ WARNING

Charging the battery produces gasses that can explode.

Never smoke near the battery and keep sparks and flames away from battery.

Important: Always keep the battery fully charged (1.265 specific gravity). This is especially important to prevent battery damage when the temperature is below 0°C (32°F).

- Remove the battery from the machine; refer to [Removing the Battery \(page 38\)](#).
- Charge the battery for 4 to 8 hours at a rate of 3 to 4 A (Figure 61). Do not overcharge the battery.

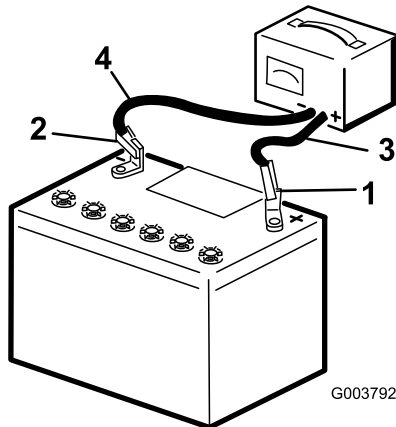


Figure 61

- | | |
|--------------------------|---------------------------|
| 1. Positive battery post | 3. Red (+) charger lead |
| 2. Negative battery post | 4. Black (-) charger lead |

- When the battery is fully charged, unplug the charger from the electrical outlet, then disconnect the charger leads from the battery posts (Figure 61).

Cleaning the Battery

Note: Keep the terminals and the entire battery case clean, because a dirty battery discharges slowly.

- Park the machine on a level surface, engage the parking brake (if equipped), and lower the loader arms.
- Shut off the engine and remove the key.

- Remove the battery from the machine; [Removing the Battery \(page 38\)](#).
- Wash the entire case with a solution of baking soda and water.
- Rinse the battery with clear water.
- Coat the battery posts and cable connectors with Grafo 112X (skin-over) grease (Toro Part No. 505-47) or petroleum jelly to prevent corrosion.
- Install the battery; refer to [Installing the Battery \(page 39\)](#).

Installing the Battery

- Place the battery on the battery tray and secure it with the wing nut and rod (Figure 60).
- Install the battery tray to the machine and secure with the 3 bolts (Figure 60). Torque the bolts to 41 N·m (30 ft-lb).
- Using the fasteners previously removed, install the positive (red) battery cable to the positive (+) battery terminal (Figure 60).
- Slide the red terminal boot onto the positive battery post.
- Using the fasteners previously removed, install the negative (black) battery cable to the negative (-) battery terminal (Figure 60).
- Install the rear screen.

Servicing a Replacement Battery

The original battery is maintenance-free and does not require service. For servicing a replacement battery, refer to the battery manufacturer's instructions.

Jump-Starting the Machine

⚠ WARNING

Jump-starting the battery can produce gasses that can explode.

Do not smoke near the battery, and keep sparks and flames away from battery.

- Open the rear-access cover; refer to [Opening the Rear-Access Cover \(page 30\)](#).
- Remove the rear screen; refer to [Removing the Rear Screen \(page 30\)](#).
- Check and clean corrosion from the battery terminals before jump-starting. Ensure that the connections are tight.

⚠ CAUTION

Corrosion or loose connections can cause unwanted electrical voltage spikes at any time during the jump-starting procedure.

Do not attempt to jump-start the machine with loose or corroded battery terminals, or damage to the engine may occur.

⚠ DANGER

Jump-starting a weak battery that is cracked or frozen or has a low electrolyte level or an open/shorted battery cell can cause an explosion, resulting in serious personal injury.

Do not jump-start a weak battery if these conditions exist.

4. Make sure that the booster battery is a good and fully charged lead-acid battery at 12.6 V or greater.

Note: Use properly sized jumper cables with short lengths to reduce voltage drop between systems. Make sure that the cables are color coded or labeled for the correct polarity.

⚠ WARNING

Batteries contain acid and produce explosive gases.

- Shield your eyes and face from the batteries at all times.
- Do not lean over the batteries.

Note: Ensure that the vent caps are tight and level. Place a damp cloth, if available, over any vent caps on both batteries. Also ensure that the machines do not touch and that both electrical systems are off and at the same rated system voltage. These instructions are for negative ground systems only.

5. Connect the positive (+) cable to the positive (+) terminal of the discharged battery that is wired to the starter or solenoid as shown in [Figure 62](#).

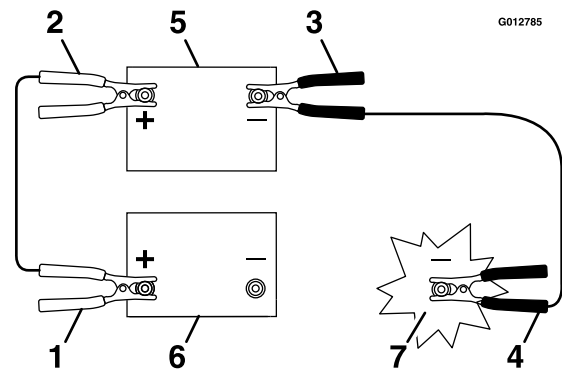


Figure 62

1. Positive (+) cable on discharged battery
2. Positive (+) cable on booster battery
3. Negative (-) cable on the booster battery
4. Negative (-) cable on the engine block
5. Booster battery
6. Discharged battery
7. Engine block

6. Connect the other end of the positive (+) jumper cable to the positive terminal of the battery in the other machine.
7. Connect an end of the negative (-) jumper cable to the negative post of the battery in the other machine.
8. Connect the other end of the negative (-) jumper cable to a ground point, such as an unpainted bolt or chassis member.
9. Start the engine in the other machine. Let it run a few minutes, then start your engine.
10. Remove the cables in the reverse order of connection.
11. Install the cover to the jump post.

Servicing the Fuses

The electrical system is protected by fuses. It requires no maintenance; however, if a fuse blows, check the component/circuit for a malfunction or a short. [Figure 63](#) illustrates the fuse block location.

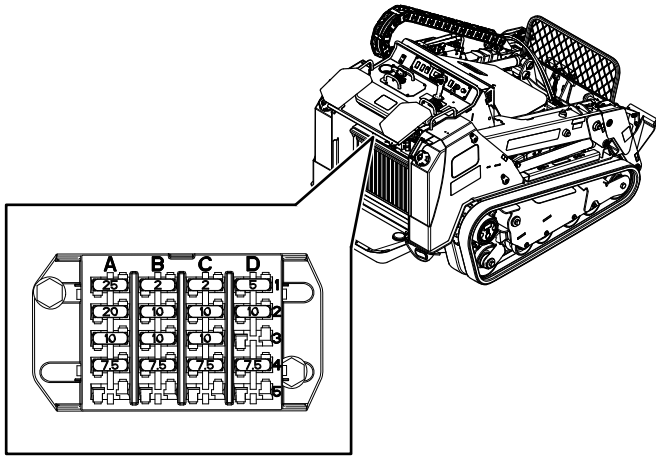


Figure 63

g261921

A	B	C	D
Engine (25 A)	Logic-Tec (2 A)	Telematics (2 A)	System (5 A)
Starter solenoid (20 A)	Power point (10 A)	Display (10 A)	Horn (10 A)
Accessory connection (10 A)	Accessory connection (10 A)	Accessory connection (10 A)	-
Tec power (7.5 A)	Tec power (7.5 A)	Tec power (7.5 A)	Tec power (7.5 A)
-	-	-	-

Note: If the machine does not start, either the main circuit or the control panel/relay fuse could be blown.

Drive System Maintenance

Replacing the Drive-Motor Planetary Gear Oil

Service Interval: Every 1,000 hours

Oil Type: SAE 85W-140 gear oil

Capacity: 0.9 L (30 fl oz)

1. Start the engine and let it run for 5 minutes.

Note: This warms the gear oil so that it drains better.
2. Park the machine on a level surface so that the drain plug is in the 6 o'clock position ([Figure 64](#)), engage the parking brake, and lower the loader arms.
3. Shut off the engine and remove the key.
4. Place a drain pan under the drive motor.
5. Remove the check plug and the drain plug and allow the gear lubricant to drain ([Figure 64](#)).

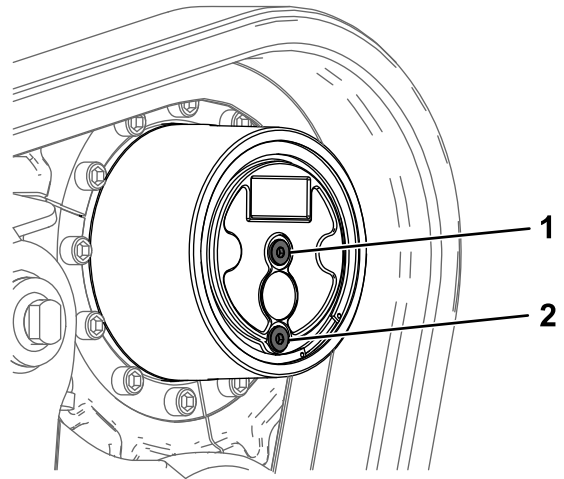


Figure 64

g267652

1. Check plug
2. Drain plug

6. Install the drain plug ([Figure 64](#)).
7. Fill the drive motor with gear oil through the check hole until the oil is up to the bottom of the hole.

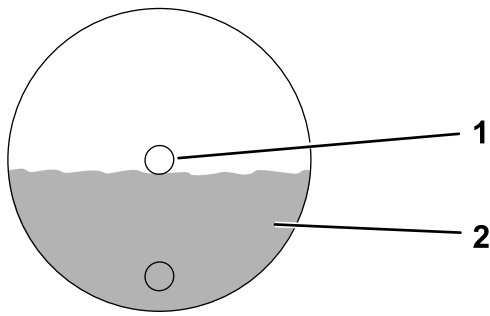


Figure 65

g267669

1. Check plug 2. Gear oil

Servicing the Tracks

Service Interval: After the first 8 hours—Check and adjust the track tension.

After the first 50 hours—Check and adjust the track tension.

Every 50 hours—Check and adjust the track tension.

Before each use or daily—Clean the tracks and check for excessive wear and proper tension.

Cleaning the Tracks

1. Park the machine on a level surface and engage the parking brake.
2. With the bucket installed and pointing down, lower it into the ground so that the front of the traction unit lifts off the ground a few centimeters (inches).
3. Shut off the engine and remove the key.
4. Using a water hose or pressure washer, remove dirt from each track system.

Important: Ensure that you use high-pressure water to wash only the track area. Do not use a high-pressure washer to clean the rest of the traction unit. Do not use high pressure water between the drive sprocket and the traction unit or you may damage the motor seals. High-pressure washing can damage the electrical system and hydraulic valves or deplete grease.

Important: Ensure that you fully clean the road wheels, the front wheel, and the drive sprocket (Figure 66). The road wheels should rotate freely when clean.

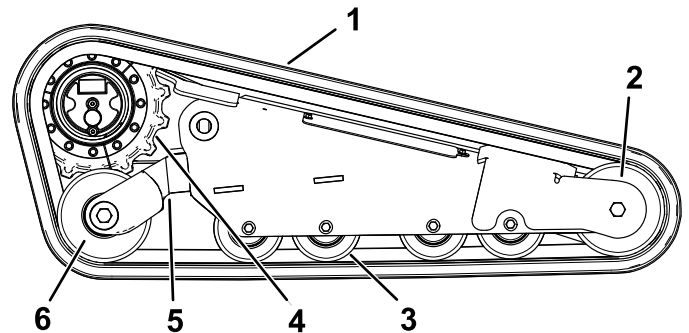


Figure 66

g261934

- | | |
|-------------------|-----------------------------|
| 1. Track | 4. Sectional drive sprocket |
| 2. Front wheel | 5. Tensioner |
| 3. Road wheel (4) | 6. Rear wheel |

Checking the Track Tension

1. Park the machine on a level surface and engage the parking brake.

2. With a bucket securely installed and pointing down, lower it into the ground so that the front of the traction unit lifts off the ground a few centimeters (inches).

Note: If you do not have a bucket, raise the machine and support it using jackstands rated for the weight of the machine; refer to [Specifications \(page 17\)](#).

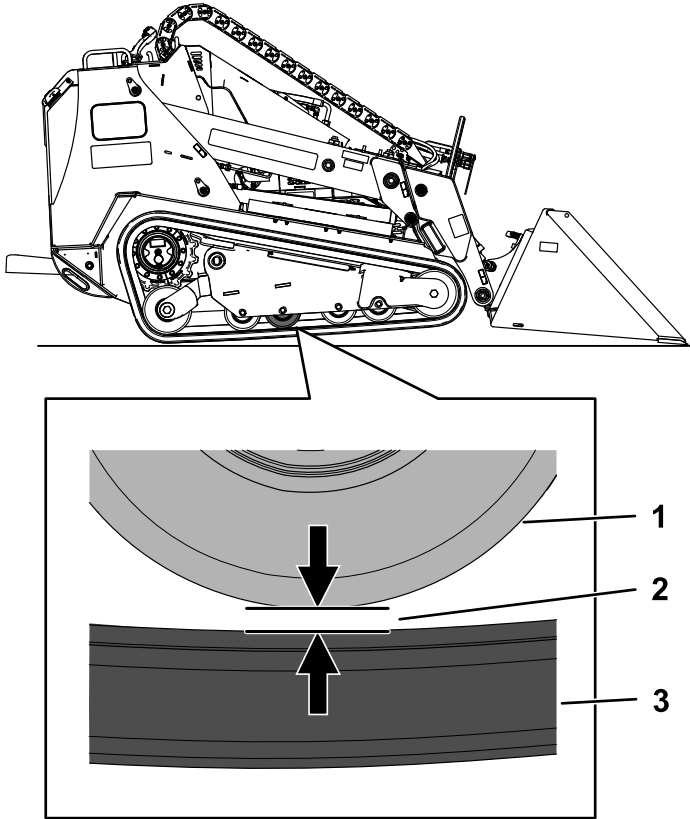


Figure 67

g263492

1. Road wheel
2. Gap is 20 mm (0.8 inch).
3. Track

3. Shut off the engine and remove the key.
4. Verify that the gap between the 2nd road wheel from the rear and the track is 20 mm (0.8 inch) as shown in [Figure 67](#). If adjustment is needed, proceed to [Adjusting the Track Tension \(page 43\)](#)

Adjusting the Track Tension

1. Park the machine on a level surface and engage the parking brake.
2. Place a 15 x 15 cm (6 x 6 inch) block under the rear frame of the machine, behind the tracks, so that it will take the weight off the tracks when you raise the front of the machine.
3. With the bucket installed and pointing down, lower it into the ground so that the front of the

traction unit lifts off the ground a few centimeters (inches).

Note: If you do not have a bucket, raise the machine and support it using jackstands rated for the weight of the machine; refer to [Specifications \(page 17\)](#).

4. Shut off the engine and remove the key.
5. Loosen the 2 bolts and rotate the access cover open ([Figure 68](#)).

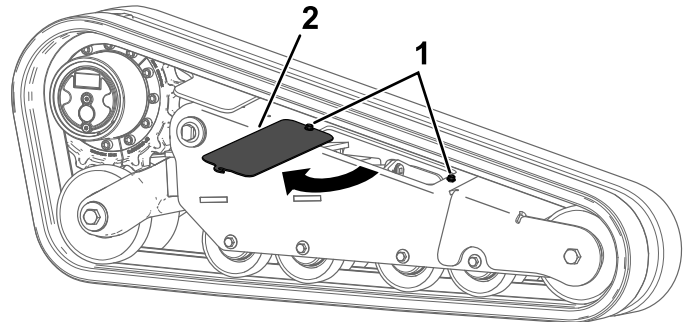


Figure 68

g262055

1. Bolt
2. Access cover

6. Remove the locking bolt, spacer, and nut ([Figure 69](#)).

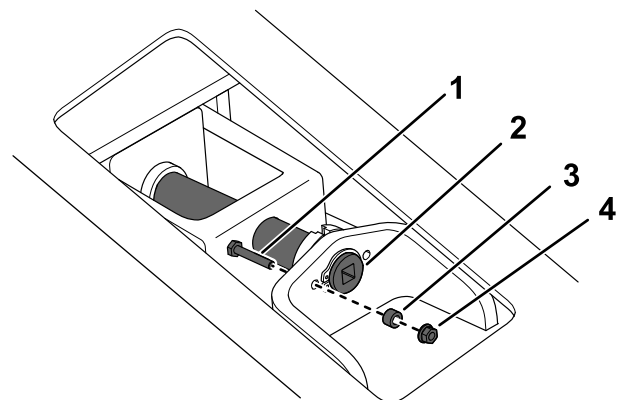


Figure 69

g262056

1. Locking bolt
2. Tensioning screw
3. Spacer
4. Nut

7. Using a 1/2 inch drive ratchet, turn the tensioning screw until the gap between the road wheel and track is 20 mm (0.79 inch) as shown in [Figure 67](#).

Note: Turning the screw counter-clockwise tightens the track; turning the screw clockwise loosens the track.

8. Align the notch in the tension screw to the nearest locking-bolt hole and secure the screw with the locking bolt, spacer, and nut ([Figure 69](#)).
9. Repeat the procedure for the other track if needed.

Replacing the Tracks

Removing the Tracks

1. Remove any attachments.
2. Park the machine on a level surface, ensuring that 1 segment of the sprocket is not engaged with the track.

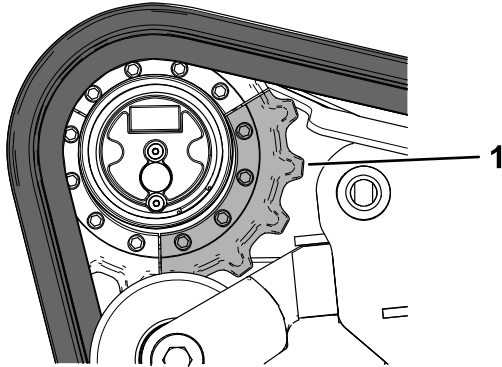


Figure 70

1. Sprocket segment

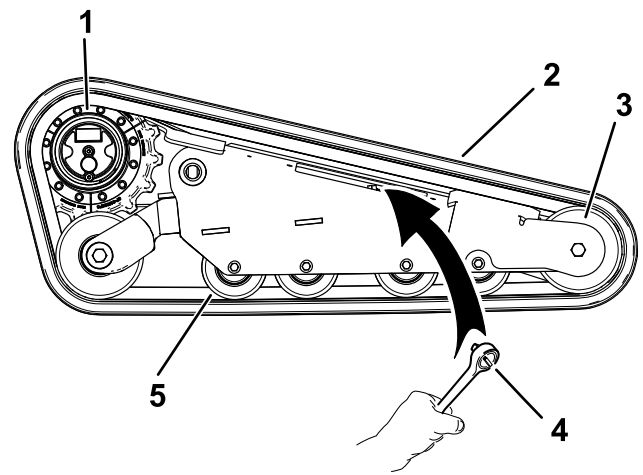


Figure 71

1. Sprocket
2. Track
3. Front wheel
4. Ratchet (1/2 inch)
5. Road wheel (4)

g262083

3. Lower the loader arms.
4. Shut off the engine and remove the key.
5. Raise the machine off the ground so that the bottom of the track is at least 10.2 cm (4 inches) off the ground. Support the machine using jack stands.

Note: Use jack stands rated for your machine.

⚠ WARNING

Mechanical or hydraulic jacks may fail to support the machine and cause serious injury.

Use jack stands when supporting the machine.

6. Remove the locking bolt, spacer, and nut (Figure 69).
7. Using a 1/2-inch drive ratchet, release the drive tension by turning the tensioning screw clockwise (Figure 69 and Figure 71).

8. Remove the segment of the drive sprocket not engaged with the track.

Important: If you do not remove the sprocket segment, it may be difficult to install a new track without damaging it.

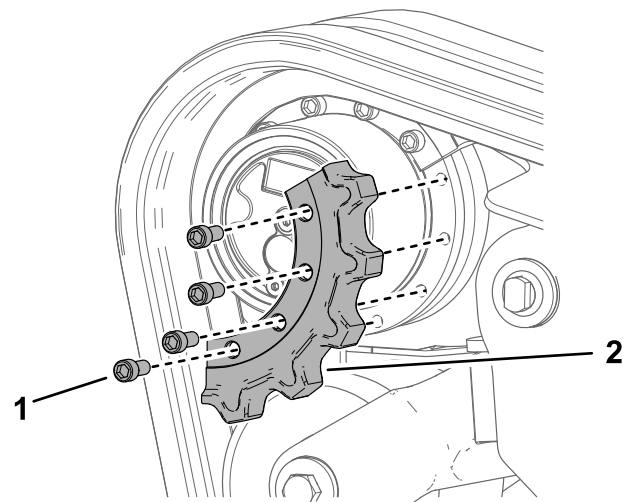


Figure 72

1. Screw (4)
2. Sprocket segment

g262082

9. Start the machine and disengage the parking brake.
10. Move the traction control forward until a second segment of the sprocket is not engaged with the track.
11. Shut off the engine and remove the key.
12. Remove the sprocket segment (Figure 72).
13. Start the machine and disengage the parking brake.

14. Move the traction control forward until the last segment of the sprocket is not engaged with the track.
15. Remove the track from the track frame.

Installing the Tracks

1. Wrap the new track around the front wheel (Figure 71).
2. Push the track under and between the road wheels and wrap it around the frame (Figure 71).
3. Start the engine and disengage the parking brake.
4. Move the traction control forward until the drive sprocket segment engages with the track (Figure 73).

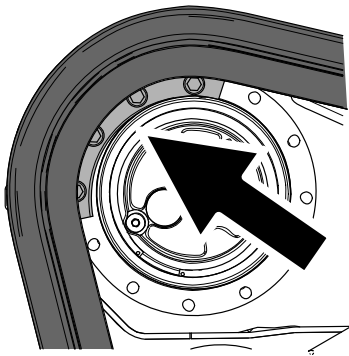


Figure 73

g262086

with the locking bolt, spacer, and nut. Torque the locking bolt to 1,130 N·cm (100 in-lb).

12. Lower the machine to the ground.
13. Repeat the procedure to replace the other track.
14. Close the access cover and tighten the bolts (Figure 68).

5. Shut off the engine and remove the key.
6. Apply thread-locking compound to the bolts of 1 drive sprocket segment that you removed and install the sprocket segment (Figure 72). Torque the bolts to 247 to 301 N·m (182 to 222 ft-lb).
7. Start the engine and disengage the parking brake.
8. Move the traction control forward until both drive sprocket segments engage the track.
9. Apply thread-locking compound to the bolts of the other drive sprocket segment that you removed and install the sprocket segment (Figure 73). Torque the bolts to 247 to 301 N·m (182 to 222 ft-lb).

Note: Install the sprocket so that the casting numbers in the sprocket face outward.

10. Using a 1/2 inch drive ratchet, turn the tensioning screw until the gap between the road wheel and track is 20 mm (0.79 inch) as shown in Figure 67.
11. Align the notch in the tension screw to the nearest locking-bolt hole and secure the screw

Cooling System Maintenance

Cooling System Safety

- Swallowing engine coolant can cause poisoning; keep out of reach from children and pets.
- Discharge of hot, pressurized coolant or touching a hot radiator and surrounding parts can cause severe burns.
 - Always allow the engine to cool at least 15 minutes before removing the radiator cap.
 - Use a rag when opening the radiator cap, and open the cap slowly to allow steam to escape.

Servicing the Cooling System

Service Interval: Before each use or daily—Clean the screen, oil cooler, and front of the radiator (more often in dirty or dusty conditions).

Before each use or daily—Check the coolant level in the expansion tank.

Every 100 hours—Check the cooling system hoses.

Cleaning the Radiator Screen

Service Interval: Before each use or daily

Remove any buildup of grass, dirt or other debris from the radiator screen with compressed air.

Checking the Engine-Coolant Level

The cooling system is filled with a 50/50 solution of water and permanent ethylene-glycol antifreeze.

1. Park the machine on a level surface, lower the loader arms, engage the parking brake, and shut off the engine.
2. Remove the key from the key switch and allow the engine to cool.
3. Open the hood.
4. Check the coolant level in the expansion tank ([Figure 74](#)).

Note: The coolant level should be at or above the mark on the side of the tank.

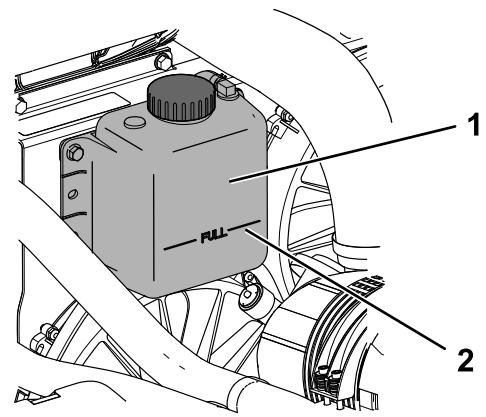


Figure 74

g262375

1. Expansion tank
2. Full mark

5. If the coolant level is low, remove the expansion tank cap and add a 50/50 mixture of water and permanent ethylene-glycol antifreeze.

Important: Do not overfill the expansion tank.

6. Install the expansion-tank cap.

Changing the Engine Coolant

Service Interval: Every 800 hours

Have an Authorized Service Dealer change the engine coolant yearly.

If you need to add engine coolant, refer to [Checking the Engine-Coolant Level \(page 46\)](#).

Belt Maintenance

Checking and Adjusting the Alternator Belt Tension

Service Interval: Before each use or daily—Check the condition of the alternator belt.

Every 100 hours—Adjust the alternator belt tension.

1. Park the machine on a level surface, engage the parking brake, and lower the loader arms.
2. Shut off the engine and remove the key.
3. Open the hood.
4. Apply 30 N (22 in-lb) of force to the alternator belt, midway between the pulleys (Figure 75).

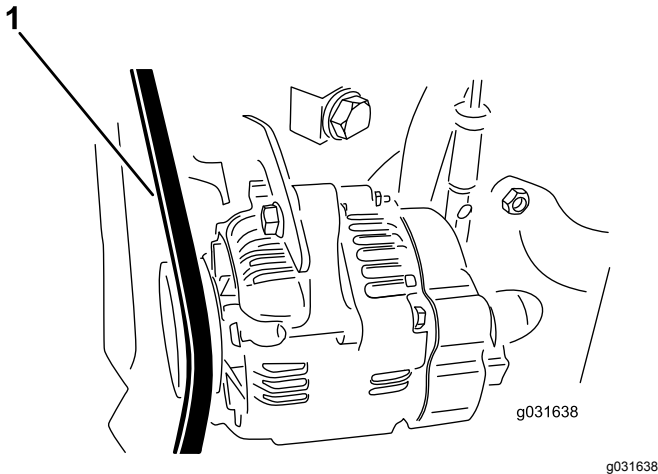


Figure 75

1. Alternator belt

-
5. If the belt does not deflect 11 mm (7/16 inch), complete the following procedure to tension the belt:
 - A. Loosen the bolt securing the brace to the engine and the bolt securing the alternator to the brace.
 - B. Insert a pry bar between the alternator and engine, and pry out at the alternator.
 - C. When you obtain the proper tension, tighten the alternator and brace bolts to secure the adjustment.

Controls System Maintenance

Adjusting the Controls

The factory adjusts the controls before shipping the machine. However, after many hours of use, you may need to adjust the traction control alignment, the NEUTRAL position of the traction control, and the tracking of the traction control in the full forward position.

Contact your Authorized Service Dealer to adjust the controls of your machine.

Hydraulic System Maintenance

Hydraulic System Safety

- Seek immediate medical attention if fluid is injected into skin. Injected fluid must be surgically removed within a few hours by a doctor.
- Ensure that all hydraulic-fluid hoses and lines are in good condition and all hydraulic connections and fittings are tight before applying pressure to the hydraulic system.
- Keep your body and hands away from pinhole leaks or nozzles that eject high-pressure hydraulic fluid.
- Use cardboard or paper to find hydraulic leaks.
- Safely relieve all pressure in the hydraulic system before performing any work on the hydraulic system.

Relieving Hydraulic Pressure

To relieve hydraulic pressure while the engine is on, disengage the auxiliary hydraulics and fully lower and retract the loader arms.

To relieve the pressure while the engine is off, press the reverse and forward flow hydraulics buttons on the joystick to relieve auxiliary hydraulic pressure and cycle the joystick between the forward positions to lower the loader arms (Figure 76).

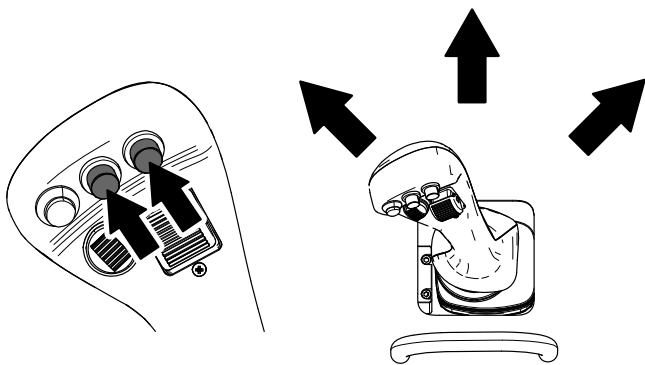


Figure 76

g269707

Hydraulic-Fluid Specifications

Every 400 hours—Replace the hydraulic oil and filters (if not using Toro fluid).

Every 1,000 hours—Replace the hydraulic oil and filters (if using Toro fluid).

Hydraulic-Tank Capacity: 57.7 L (15.25 US gallons)

Use only 1 of the following fluids in the hydraulic system:

- **Toro Premium Transmission/Hydraulic Tractor Fluid** (refer to your Authorized Service Dealer for more information)
- **Toro PX Extended Life Hydraulic Fluid** (refer to your Authorized Service Dealer for more information)
- If either of the above Toro fluids are not available, you may use another **Universal Tractor Hydraulic Fluid (UTHF)**, but they must be only **conventional, petroleum-based** products. The specifications must fall within the listed range for all the following material properties and the fluid should meet the listed industry standards. Check with your hydraulic fluid supplier to determine if the fluid meets these specifications.

Note: Toro will not assume responsibility for damage caused by improper substitutions, so use only products from reputable manufacturers who will stand behind their recommendations.

Material Properties	
Viscosity, ASTM D445	cSt at 40°C: 55 to 62
	cSt at 100°C: 9.1 to 9.8
Viscosity index, ASTM D2270	140 to 152
Pour Point, ASTM D97	-37 to -43°C (-35 to -46°F)
Industry Standards	
API GL-4, AGCO Powerfluid 821 XL, Ford New Holland FNHA-2-C-201.00, Kubota UDT, John Deere J20C, Vickers 35VQ25 and Volvo WB-101/BM	

Note: Many hydraulic fluids are almost colorless, making it difficult to spot leaks. A red dye additive for the hydraulic system fluid is available in 20 ml (2/3 fl oz) bottles. One bottle is sufficient for 15 to 22 L (4 to 6 US gallons) of hydraulic fluid. Order Part No. 44-2500 from your Authorized Toro Dealer.

Checking the Hydraulic-Fluid Level

Service Interval: Every 25 hours

Important: Always use the correct hydraulic fluid. Unspecified fluids will damage the hydraulic system. Refer to [Hydraulic-Fluid Specifications \(page 48\)](#).

1. Remove any attachments.
2. Park the machine on a level surface and engage the parking brake.
3. Raise the loader arms and install the cylinder locks.
4. Shut off the engine and remove the key.
5. Remove the front cover; refer to [Removing the Front Cover \(page 31\)](#).
6. Clean the area around the filler neck of the hydraulic tank ([Figure 77](#)).

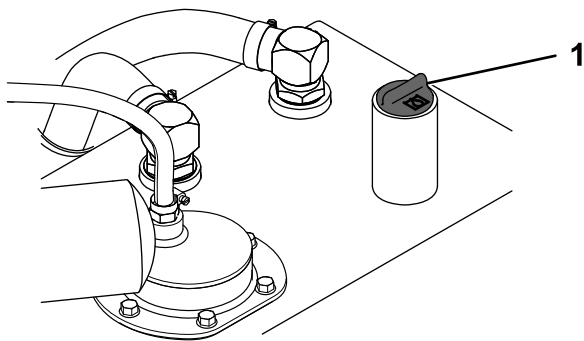


Figure 77

g263507

1. Filler-neck cap

7. Remove the filler-neck cap and check the fluid level on the dipstick ([Figure 78](#)).

Note: The fluid level should be between the 2 notches of the dipstick while the arms are lowered or at the lower notch while the arms are raised.

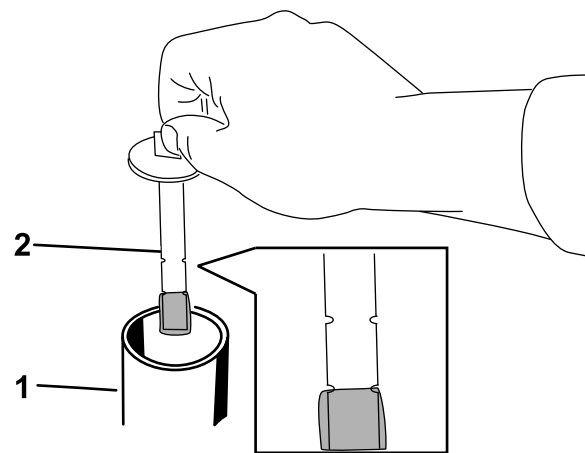


Figure 78

g263506

1. Filler neck
2. Dipstick

8. If the level is low, add enough fluid to raise it to the proper level.
9. Install the filler-neck cap.
10. Install the front cover.

Replacing the Hydraulic Filters

Important: Do not substitute an automotive oil filter; otherwise, severe hydraulic system damage may occur.

1. Park the machine on a level surface, engage the parking brake, and lower the loader arms.
2. Shut off the engine and remove the key.
3. Raise the loader arms and install the cylinder locks.
4. Remove the front cover; refer to [Removing the Front Cover \(page 31\)](#).
5. Place a drain pan under the front filter and replace the filter (Figure 79).

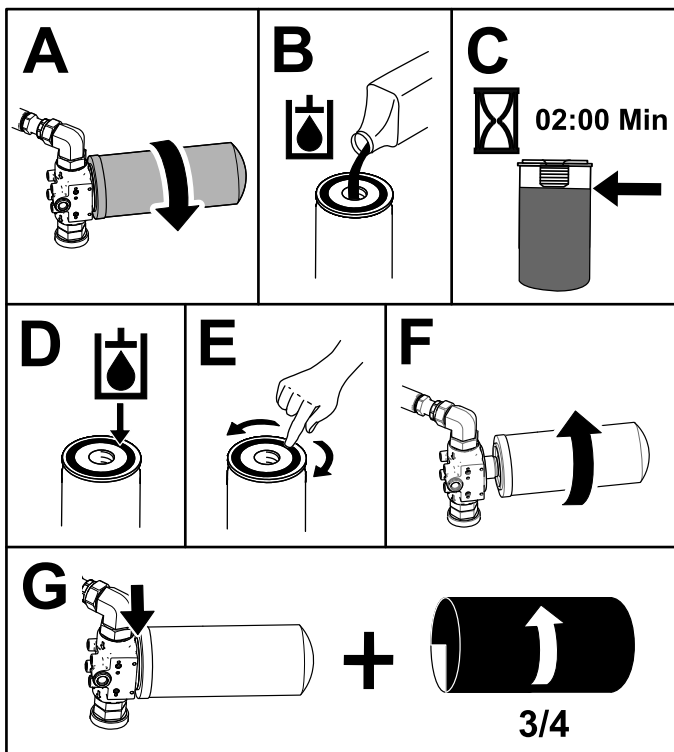


Figure 79

g263539

6. Clean up any spilled fluid.
7. Open the rear access cover; refer to [Opening the Rear-Access Cover \(page 30\)](#)
8. Remove the rear screen; refer to [Removing the Rear Screen \(page 30\)](#).
9. Place a drain pan under the rear filter and replace the filter (Figure 80).

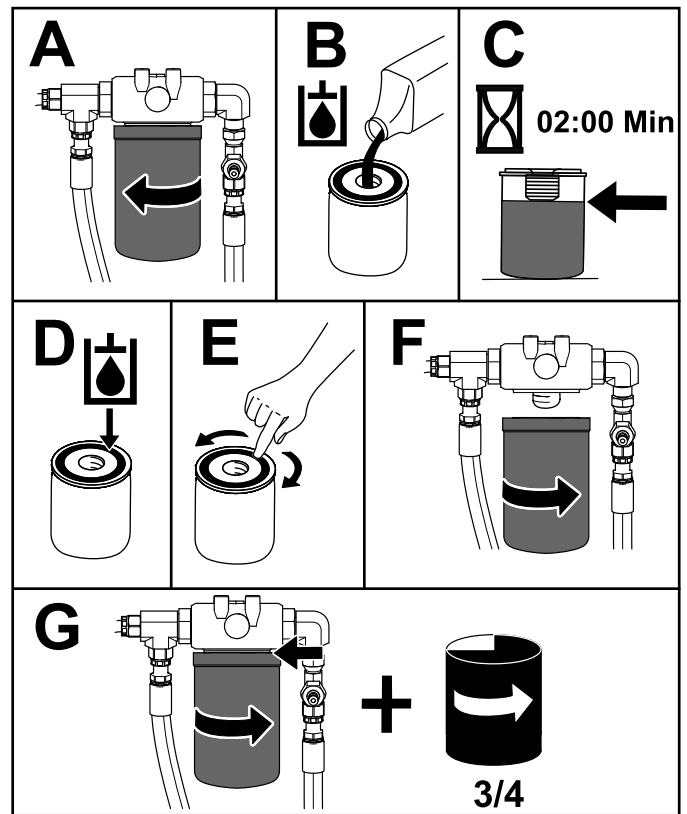


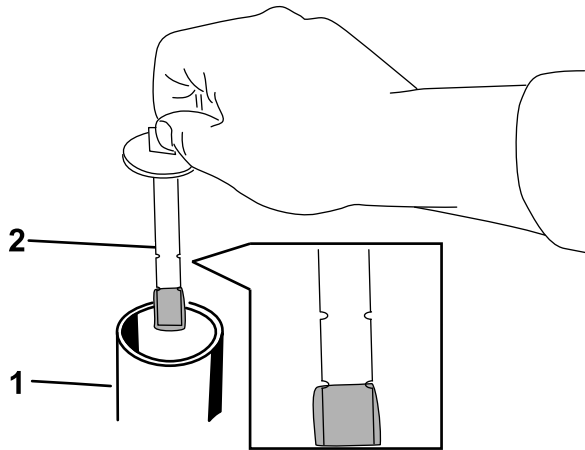
Figure 80

g263575

10. Clean up any spilled fluid.
 11. Start the engine and let it run for about 2 minutes to purge air from the system.
 12. Shut off the engine and check for leaks.
 13. Check the fluid level in the hydraulic tank; refer to [Checking the Hydraulic-Fluid Level \(page 49\)](#) and add fluid to raise the level to mark on dipstick.
- Important:** Do not overfill the tank.
14. Install the front cover.
 15. Install the rear screen and tighten the knobs and bolts to secure it.
 16. Close the rear-access cover and install the fastener to secure it.
 17. Remove and store the cylinder locks and lower the loader arms.

Changing the Hydraulic Fluid

1. Park the machine on a level surface.
2. Raise the loader arms and install the cylinder locks.
3. Shut off the engine, remove the key, and allow the engine to cool.
4. Remove the front cover; refer to [Removing the Front Cover \(page 31\)](#).
5. Remove the hydraulic-tank cap and dipstick ([Figure 81](#)).

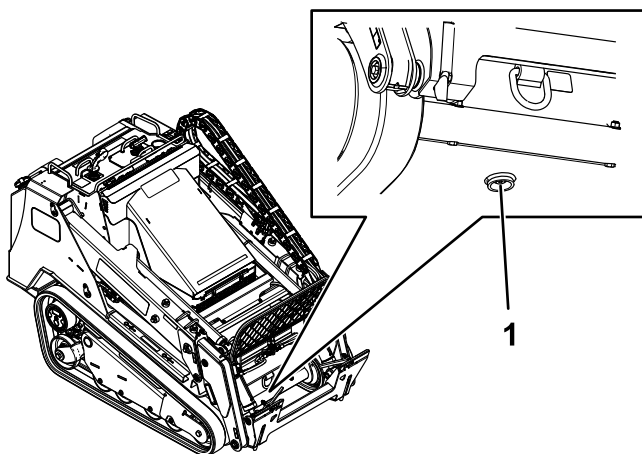


g263506

Figure 81

1. Filler neck
2. Dipstick

6. Place a large drain pan capable of holding 57 L (15 US gallons) under the drain plug on the front of the machine ([Figure 82](#)).



g263607

Figure 82

1. Drain plug

7. Remove the drain plug and allow the oil to drain into the pan ([Figure 82](#)).

8. When the oil is finished draining, install and tighten the drain plug.

Note: Dispose of the used oil at a certified recycling center.

9. Fill the hydraulic tank with hydraulic fluid; refer to [Hydraulic-Fluid Specifications \(page 48\)](#).
10. Start the engine and let it run for a few minutes.
11. Shut off the engine and remove the key.
12. Check the hydraulic-fluid level and add fluid to fill the tank if necessary; refer to [Hydraulic-Fluid Specifications \(page 48\)](#).
13. Install the front cover.

Loader Maintenance

Torquing the Loader Arm Adjustment Screws

Telescoping Machines Only

Service Interval: Every 25 hours

Check the torque whenever the lower loader arms rattle.

1. Park the machine on a level surface.
2. Shut off the engine, remove the key, and allow the engine to cool.
3. On each loader arm, loosen the setscrew on the 4 adjustment screws (**Figure 83**).

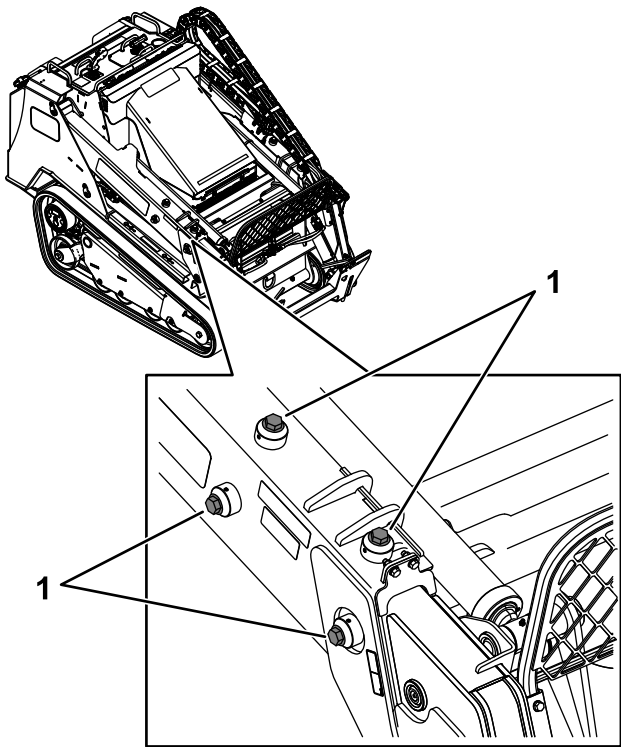


Figure 83

1. Adjustment screw

-
4. Torque the adjustment screws to 27 N·m (20 ft-lb).
 5. Tighten the setscrews.

Cleaning

Removing Debris

Service Interval: Before each use or daily

Important: Operating the engine with blocked screens and/or cooling shrouds removed will result in engine damage from overheating.

1. Park the machine on a level surface and lower the loader arms.
 2. Shut off the engine, remove the key, and allow the engine to cool.
 3. Open the hood and secure the prop rod.
 4. Clean any debris from the front and side screens.
 5. Wipe away debris from the air cleaner.
 6. Clean any debris buildup on the engine and in the oil cooler fins with a brush or blower.
- Important:** Operating the engine with blocked screens and/or cooling shrouds removed will result in engine damage due to overheating.
7. Clean debris from the hood opening, muffler, heat shields, and radiator screen (if applicable).
 8. Close the hood.

Cleaning the Chassis

Service Interval: Every 100 hours—Check for dirt buildup in the chassis.

Over time, the chassis under the engine collects dirt and debris that must be removed. Using a flashlight, open the hood and inspect the area under the engine regularly. When the debris is 2.5 to 5 cm (1 to 2 inches) deep, clean the chassis.

1. Park the machine on a level surface and lower the loader arms.
2. Raise the front of the machine so that the machine is angled backward.
3. Shut off the engine and remove the key.
4. Remove the bottom plate; refer to [Removing the Bottom Plate \(page 30\)](#).
5. Remove the front cover; refer to [Removing the Front Cover \(page 31\)](#).
6. Spray water into the chassis to clean out the dirt and debris.

Note: The water will drain at the back of the machine.

Important: Do not spray water into the engine.

7. Grease the machine; refer to [Lubricating the Machine \(page 31\)](#).
8. Install the bottom plate ([Figure 41](#)).
9. Install the front cover.
10. Lower the machine.

Storage

Storage Safety

- Shut off the engine, remove the key, wait for all moving parts to stop, and allow the machine to cool before storing it.
- Do not store the machine or fuel near flames.

Storage

1. Park the machine on a level surface, engage the parking brake, and lower the loader arms.
2. Shut off the engine and remove the key.
3. Remove dirt and grime from the entire machine.

Important: You can wash the machine with mild detergent and water. Do not pressure-wash the machine. Avoid excessive use of water, especially near the control panel, engine, hydraulic pumps, and motors.

4. Service the air cleaner; refer to [Servicing the Air Cleaner \(page 32\)](#).
5. Grease the machine; refer to [Lubricating the Machine \(page 31\)](#).
6. Change the engine oil; refer to [Changing the Engine Oil and Filter \(page 34\)](#).
7. Charge the battery; refer to [Charging the Battery \(page 39\)](#).
8. Check and adjust the track tension; refer to [Checking the Track Tension \(page 42\)](#).
9. Check and tighten all fasteners. Repair or replace any worn, damaged, or missing parts.
10. Paint all scratched or bare metal surfaces with paint available from your Authorized Service Dealer.
11. Store the machine in a clean, dry garage or storage area. Remove the key from the ignition switch and keep it in a memorable place.
12. Cover the machine to protect it and keep it clean.

Troubleshooting

Problem	Possible Cause	Corrective Action
The engine does not start.	<ol style="list-style-type: none"> 1. Dirt, water, stale fuel, or incorrect fuel is in the fuel system. 2. The fuel filter is clogged. 3. The improper fuel grade for cold weather is in the machine. 4. The battery is discharged. 	<ol style="list-style-type: none"> 1. Drain and flush the fuel system; add fresh fuel. 2. Replace the fuel filter. 3. Drain the fuel system and replace the fuel filter. Add fresh fuel of proper grade for ambient temperature conditions. You may need to warm the entire traction unit. 4. Charge the battery or replace it.
The engine loses power.	<ol style="list-style-type: none"> 1. The fuel tank is empty. 2. There is air in the fuel. 3. The engine is overheating. 4. The engine load is excessive. 5. The crankcase-oil level is incorrect. 6. The air-cleaner filters are dirty. 	<ol style="list-style-type: none"> 1. Fill the tank with fresh fuel. 2. Bleed the fuel system and check for air leaks at fuel hose connections and fittings between the fuel tank and engine. 3. Refer to "The engine overheats." 4. Reduce the load; use a lower ground speed. 5. Fill or drain to the Full mark. 6. Service the air filters.
The engine starts but does not keep running.	<ol style="list-style-type: none"> 1. The fuel tank is empty. 2. There is air in the fuel. 3. The engine is overheating. 4. The air-cleaner filters are dirty. 	<ol style="list-style-type: none"> 1. Fill the tank with fresh fuel. 2. Bleed the fuel system and check for air leaks at fuel hose connections and fittings between the fuel tank and engine. 3. Refer to "The engine overheats." 4. Service the air filters.
The engine overheats.	<ol style="list-style-type: none"> 1. The crankcase-oil level is incorrect. 2. The alternator belt is broken or elongated. 3. More coolant is needed. 4. Concentration of antifreeze is too high. 5. There is restricted air flow to the radiator. 6. The inside of the radiator is corroded. 7. The radiator or radiator cap is damaged. 8. The thermostat is defective. 9. The temperature gauge or sensor is defective. 10. The engine load is excessive. 11. The head gasket is damaged or there is water leakage. 	<ol style="list-style-type: none"> 1. Fill or drain to the Full mark. 2. Replace the belt or adjust the belt tension. 3. Check and add coolant. 4. Add water only or change to coolant with the specified mixing ratio. 5. Inspect and clean the radiator screen. 6. Clean or replace the radiator and parts. 7. Replace the damaged parts. 8. Check the thermostat and replace it if necessary. 9. Check the temperature with a thermometer and replace the gauge or sensor if necessary. 10. Reduce the load; use a lower ground speed. 11. Replace damaged parts.

Problem	Possible Cause	Corrective Action
The machine does not drive.	<ol style="list-style-type: none"> 1. The parking brake is engaged. 2. The hydraulic-fluid level is low. 3. The hydraulic system is damaged. 4. The bypass valves are open. 5. A traction pump drive coupler is loose or broken. 6. Pump and/or wheel motor is damaged. 7. The control valve is damaged. 8. The relief valve is damaged. 9. The cooling fans are damaged or disconnected. 	<ol style="list-style-type: none"> 1. Disengage the parking brake. 2. Add hydraulic fluid to the reservoir. 3. Contact your Authorized Service Dealer. 4. Close the bypass valves. 5. Contact your Authorized Service Dealer. 6. Contact your Authorized Service Dealer. 7. Contact your Authorized Service Dealer. 8. Contact your Authorized Service Dealer. 9. Check fan connections or replace damaged parts.

California Proposition 65 Warning Information

What is this warning?

You may see a product for sale that has a warning label like the following:



WARNING: Cancer and Reproductive Harm—www.p65Warnings.ca.gov.

What is Prop 65?

Prop 65 applies to any company operating in California, selling products in California, or manufacturing products that may be sold in or brought into California. It mandates that the Governor of California maintain and publish a list of chemicals known to cause cancer, birth defects, and/or other reproductive harm. The list, which is updated annually, includes hundreds of chemicals found in many everyday items. The purpose of Prop 65 is to inform the public about exposure to these chemicals.

Prop 65 does not ban the sale of products containing these chemicals but instead requires warnings on any product, product packaging, or literature with the product. Moreover, a Prop 65 warning does not mean that a product is in violation of any product safety standards or requirements. In fact, the California government has clarified that a Prop 65 warning "is not the same as a regulatory decision that a product is 'safe' or 'unsafe.'" Many of these chemicals have been used in everyday products for years without documented harm. For more information, go to <https://oag.ca.gov/prop65/faqs-view-all>.

A Prop 65 warning means that a company has either (1) evaluated the exposure and has concluded that it exceeds the "no significant risk level"; or (2) has chosen to provide a warning based on its understanding about the presence of a listed chemical without attempting to evaluate the exposure.

Does this law apply everywhere?

Prop 65 warnings are required under California law only. These warnings are seen throughout California in a wide range of settings, including but not limited to restaurants, grocery stores, hotels, schools, and hospitals, and on a wide variety of products. Additionally, some online and mail order retailers provide Prop 65 warnings on their websites or in catalogs.

How do the California warnings compare to federal limits?

Prop 65 standards are often more stringent than federal and international standards. There are various substances that require a Prop 65 warning at levels that are far lower than federal action limits. For example, the Prop 65 standard for warnings for lead is 0.5 µg/day, which is well below the federal and international standards.

Why don't all similar products carry the warning?

- Products sold in California require Prop 65 labelling while similar products sold elsewhere do not.
- A company involved in a Prop 65 lawsuit reaching a settlement may be required to use Prop 65 warnings for its products, but other companies making similar products may have no such requirement.
- The enforcement of Prop 65 is inconsistent.
- Companies may elect not to provide warnings because they conclude that they are not required to do so under Prop 65; a lack of warnings for a product does not mean that the product is free of listed chemicals at similar levels.

Why does Toro include this warning?

Toro has chosen to provide consumers with as much information as possible so that they can make informed decisions about the products they buy and use. Toro provides warnings in certain cases based on its knowledge of the presence of one or more listed chemicals without evaluating the level of exposure, as not all the listed chemicals provide exposure limit requirements. While the exposure from Toro products may be negligible or well within the "no significant risk" range, out of an abundance of caution, Toro has elected to provide the Prop 65 warnings. Moreover, if Toro does not provide these warnings, it could be sued by the State of California or by private parties seeking to enforce Prop 65 and subject to substantial penalties.