

# Parts Catalog

## 42in Bagger

### Zero-Turn-Radius Riding Mower

Model No. 79411—Serial No. 40000000 and Up



# Ordering Replacement Parts

To order replacement parts, please supply the part number, the quantity, and the description of each part desired.

## Understanding Reference Numbers

Each identified part in an illustration has a reference number. The reference number for a part also appears in the parts list, along with other information about the part.

This catalog uses two special reference number formats, one to indicate parts in a service assembly and another to indicate the quantity of a given part in an illustration.

## Service Assembly Reference Numbers

Parts in service assemblies have reference numbers in the form a:b. The a represents the reference number of the entire service assembly and the b represents a sequential number unique to each part within the service assembly.

For example, a wheel assembly might be identified by reference number 6, the tire by 6:1, the valve by 6:2, and the wheel by 6:3. When you order the assembly identified by reference number 6, you receive all parts identified by reference numbers 6:1, 6:2, and 6:3. However, you may also order any part individually. Reference numbers of this type appear in illustration and in parts lists.

## Reference Numbers Indicating Quantity

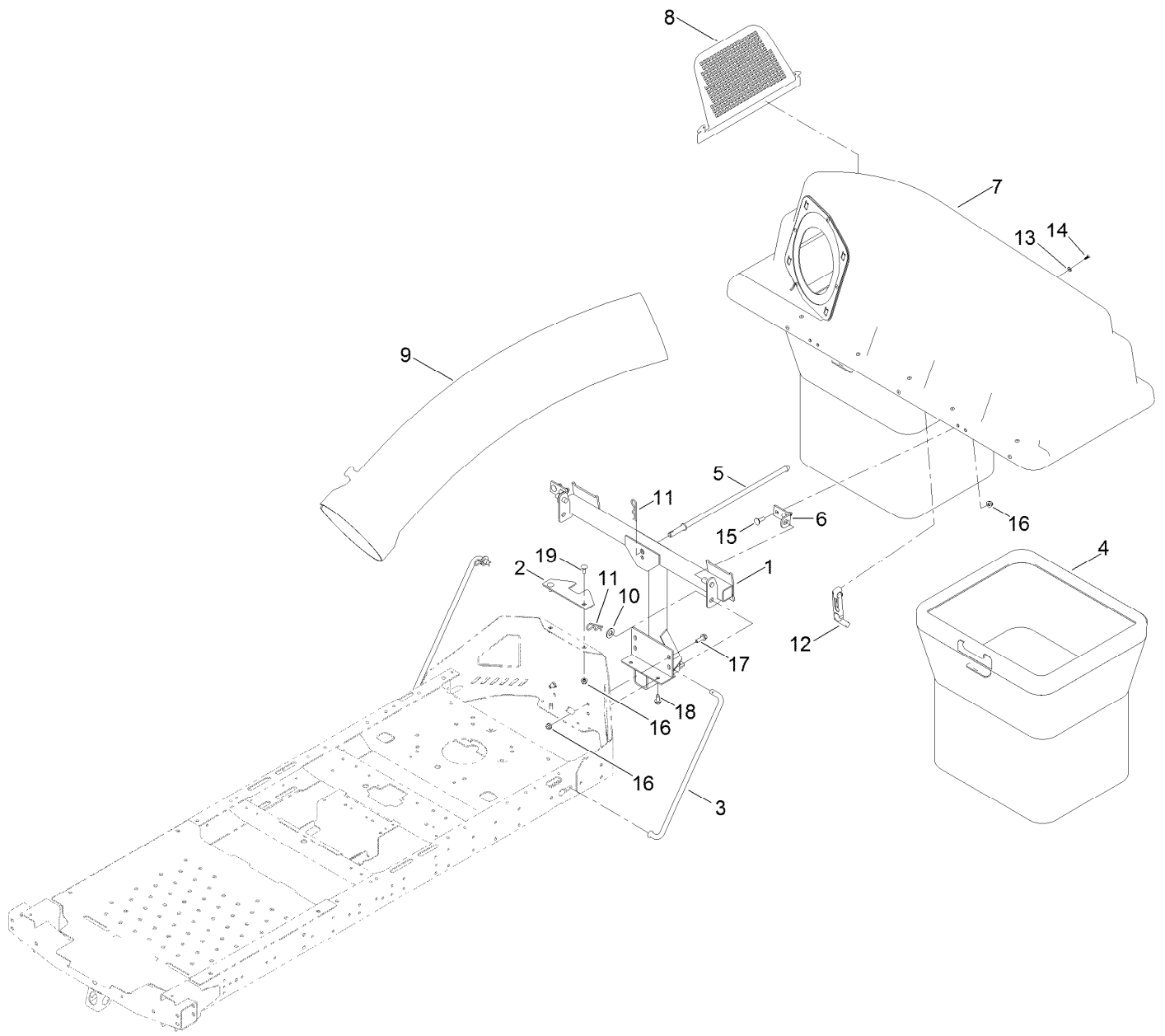
In an illustration, if a reference number indicates more than one part, the reference number has the form nX y. The n represents the quantity of the part, the X is the multiplication symbol, and the y represents the reference number.

For example, in an illustration, the reference number 2X 37 means that two of the parts identified by reference number 37 are indicated.

# Contents

Twin Bag Assembly .....	4
Bag Assembly No. 140-5026 .....	6
Bagger Top Assembly .....	8
Weight Assembly .....	10
Chute Assembly .....	12
Chute Assembly No. 139-3261 .....	14

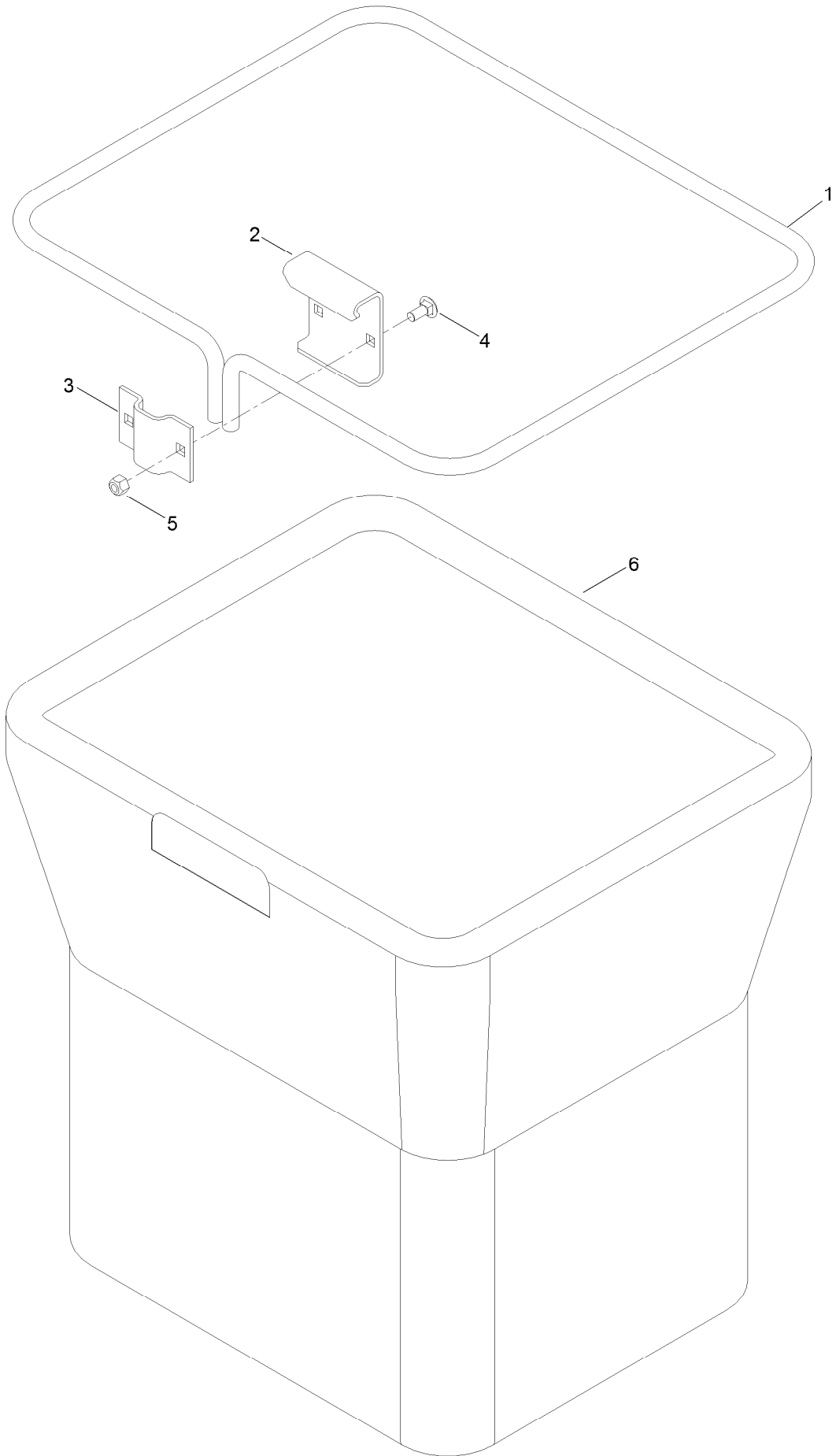
# Twin Bag Assembly



## Twin Bag Assembly (continued)

<i>Ref.</i>	<i>Part Number</i>	<i>Qty.</i>	<i>Description</i>	<i>Ref.</i>	<i>Part Number</i>	<i>Qty.</i>	<i>Description</i>
1	133-4320-03	1	Pivot Frame ASM	11	139-2562	3	Pin-Hair
2	131-3967-03	1	Bracket-Stabilizer	12	116-4992	1	Latch-Rubber
3	140-5093	2	Rod-Support, Cz	13	137-9472	2	Washer-Flat
4	140-5026	2	Bag ASM	14	132-6919	2	Screw-Plastic, PTH
5	131-4189	1	Rod-Hood, Down	15	110-3144	4	Bolt-CARR
6	140-5016	2	Bracket-Hopper Pivot	16	119-4041	8	Nut-HF
7	140-5096	1	Top ASM-Bagger	17	139-2596	2	Screw-HHF
8	112-3993	1	Screen-Bagger	18	32144-70	2	Screw-HWHTF
9	112-3995	1	Tube-Bagger	19	139-2630	2	Bolt-CARR
10	139-2611	2	Washer-Flat				

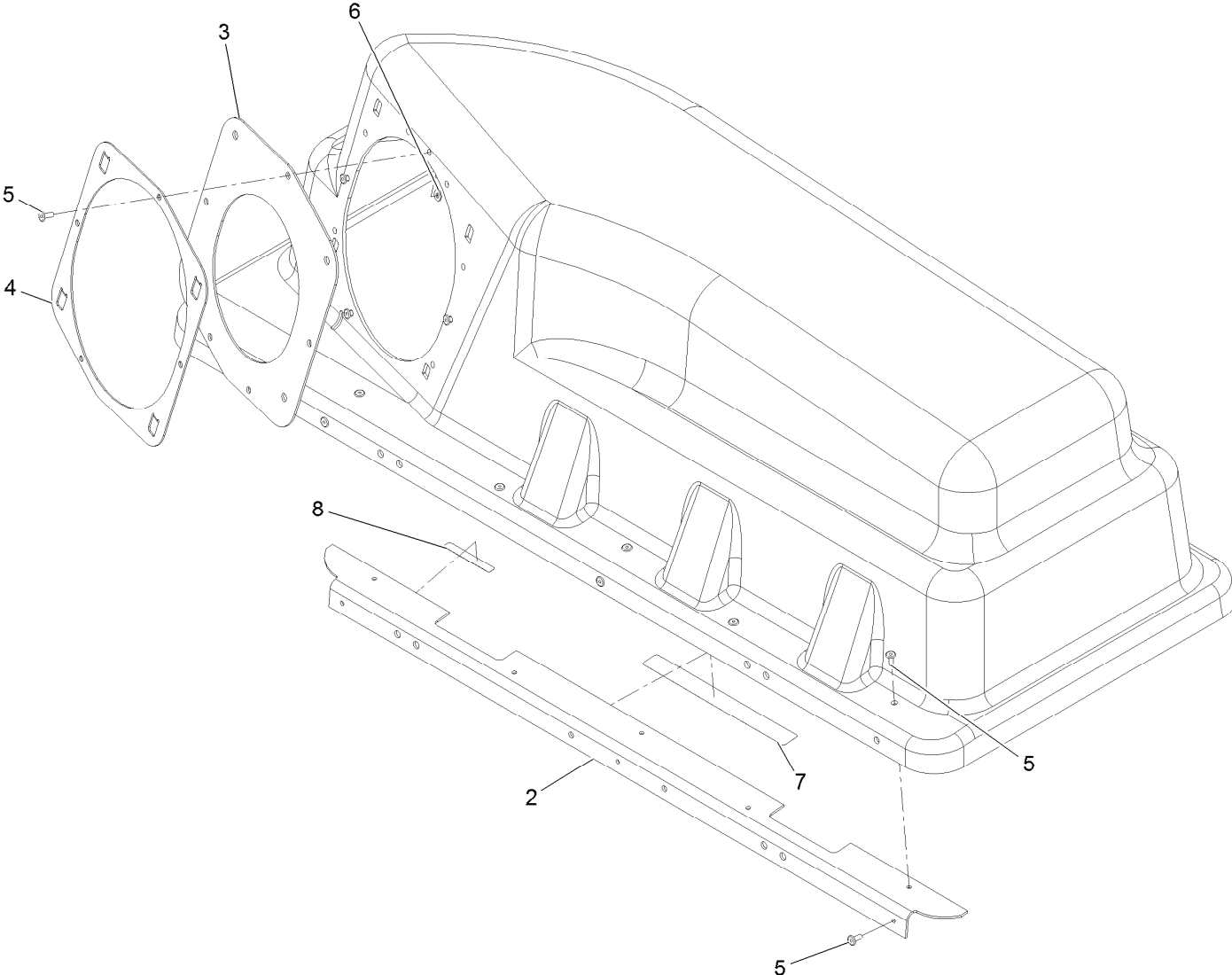
# Bag Assembly No. 140-5026



## Bag Assembly No. 140-5026 (continued)

<i>Ref.</i>	<i>Part Number</i>	<i>Qty.</i>	<i>Description</i>	<i>Ref.</i>	<i>Part Number</i>	<i>Qty.</i>	<i>Description</i>
1	114972-03	1	Frame-Bag	4	139-2630	2	Bolt-CARR
2	114973-03	1	Hanger-Bag	5	119-4038	2	Nut-Hex
3	114974-03	1	Clamp	6	110-6674	1	Bag

# Bagger Top Assembly

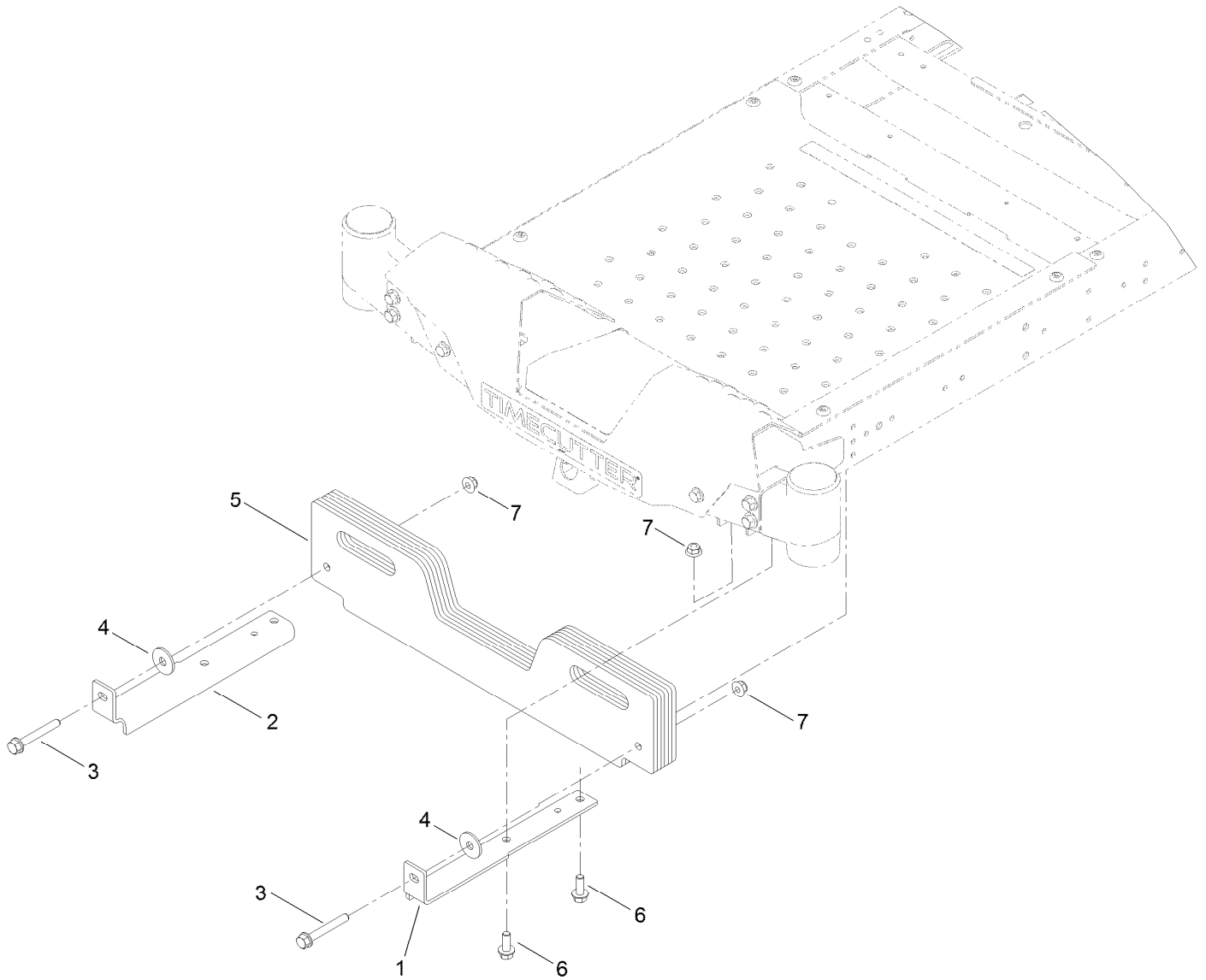




## Bagger Top Assembly (continued)

<i>Ref.</i>	<i>Part Number</i>	<i>Qty.</i>	<i>Description</i>	<i>Ref.</i>	<i>Part Number</i>	<i>Qty.</i>	<i>Description</i>
2	116-1242-03	1	Stiffener-Bagger Top	6	137-3073	4	Washer-Plain
3	112-4001	1	Gasket	7	109-6809	1	Decal-Caution, Bagger
4	112-4000-03	1	Ring-Retainer	8	133-8061	1	Decal-Warning
5	114439	12	Rivet-Blind				

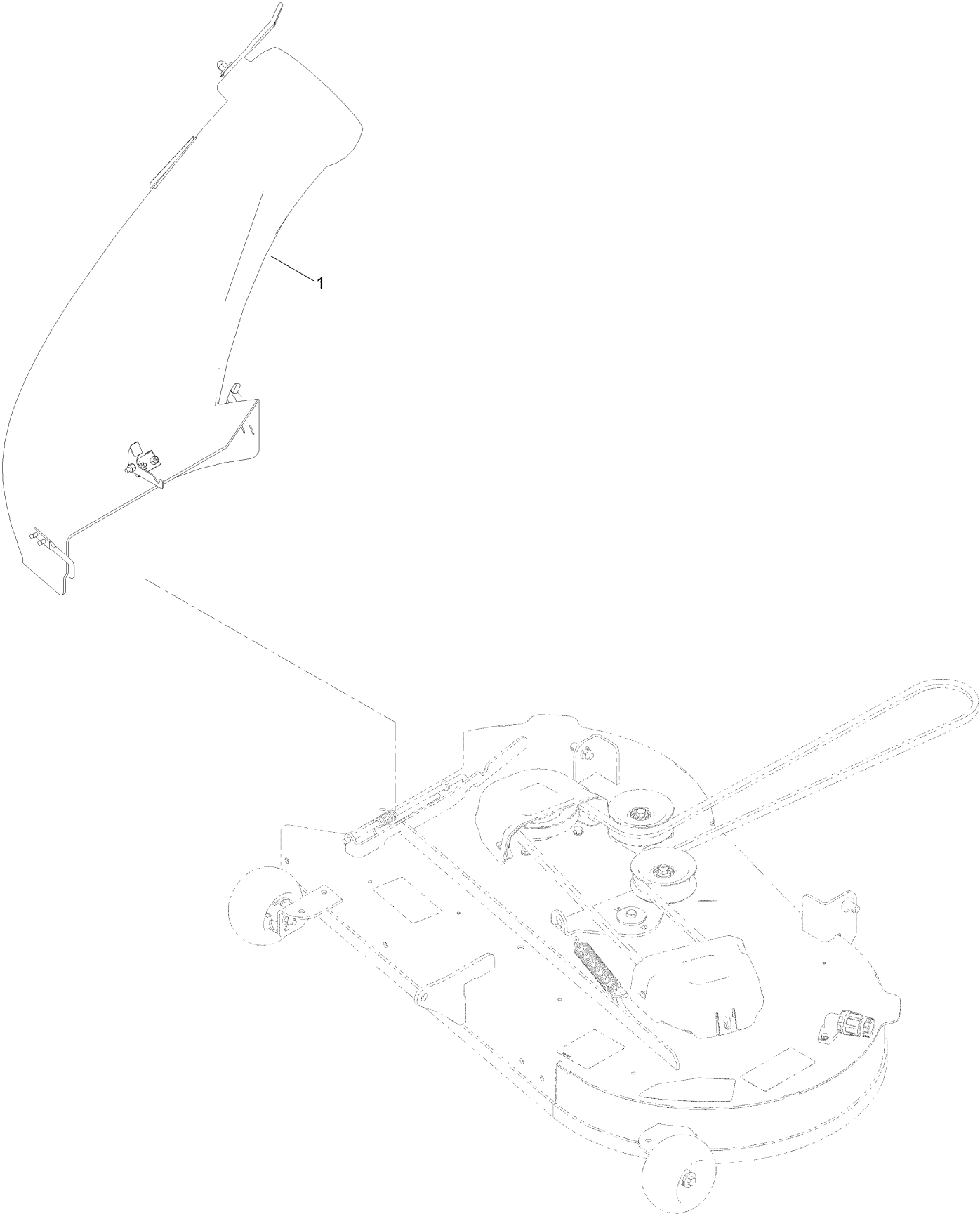
# Weight Assembly



## Weight Assembly (continued)

<i>Ref.</i>	<i>Part Number</i>	<i>Qty.</i>	<i>Description</i>	<i>Ref.</i>	<i>Part Number</i>	<i>Qty.</i>	<i>Description</i>
1	139-5817-03	1	Bracket-Weight, LH	5	139-7482-03	6	Weight-Bagger
2	139-5815-03	1	Bracket-Weight, RH	6	139-2597	4	Screw-HHF
3	140-5097	2	Screw-Spcl	7	119-4042	6	Nut-HF, NI
4	87-5330	2	Washer				

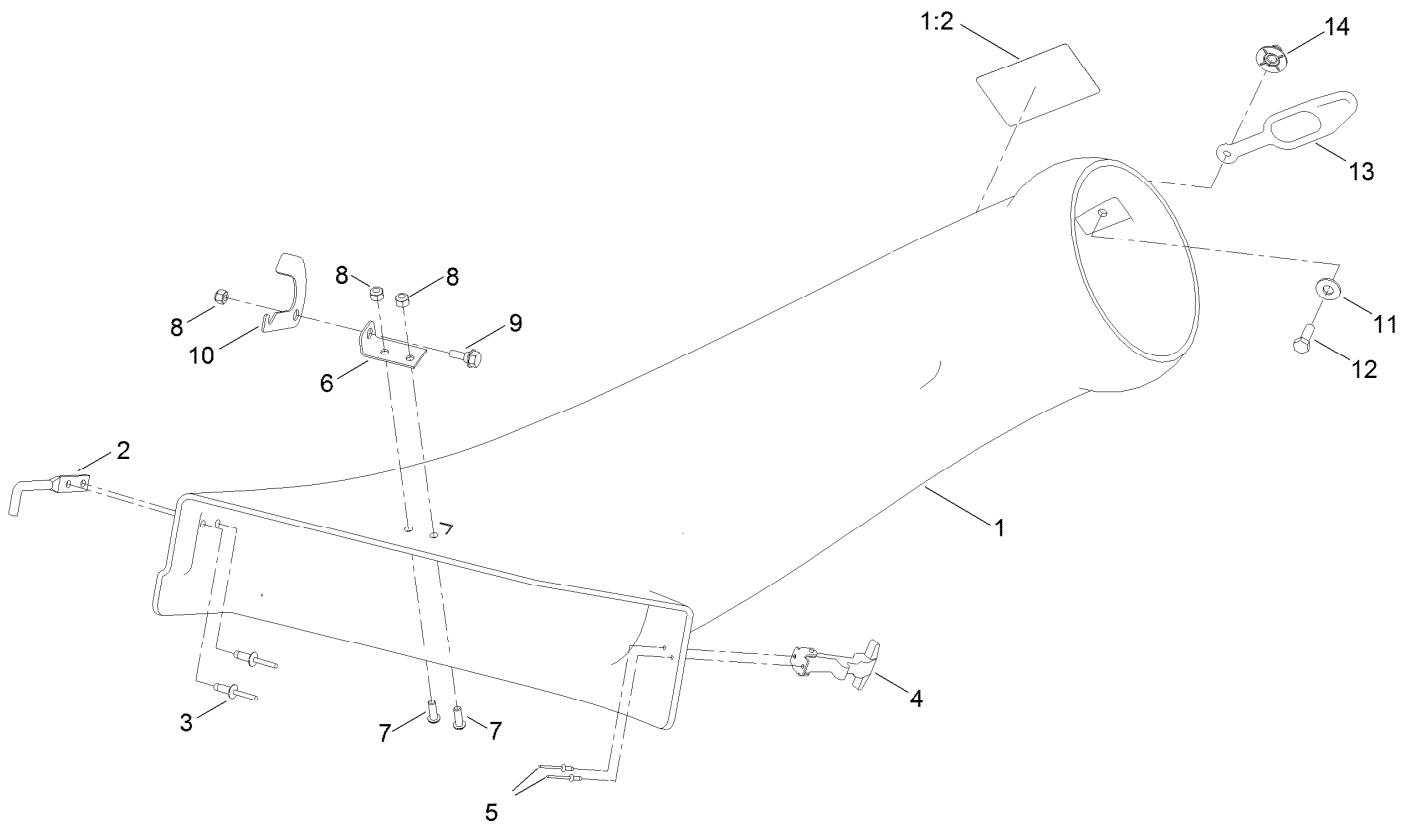
# Chute Assembly



## Chute Assembly (continued)

<i>Ref.</i>	<i>Part Number</i>	<i>Qty.</i>	<i>Description</i>
1	139-3261	1	42 In Bagger Boot Assembly

# Chute Assembly No. 139-3261



## Chute Assembly No. 139-3261 (continued)

<i>Ref.</i>	<i>Part Number</i>	<i>Qty.</i>	<i>Description</i>
1	140-3464	1	42 In Bagger Boot ASM
1:2	110-6691	1	Decal-Danger
2	138-7572	1	Hook-Boot
3	3290-412	2	Rivet-Blind
4	117344	1	Handle ASM
5	3269-31	2	Rivet-Pop
6	140-5094	1	Plate-Pivot, Cz
7	3274-69	2	Screw-HSBH

<i>Ref.</i>	<i>Part Number</i>	<i>Qty.</i>	<i>Description</i>
8	137-3088	3	Nut-Hex
9	139-1730	1	Screw-Shoulder, HHF
10	139-2351	1	Plate-Latch
11	139-1723	1	Washer-Flat
12	139-1716	1	Screw-HH
13	82-5690	1	Retainer-Duct
14	114-9015	1	Nut-Impeller

