

Parts Catalog

42in Bagger

Zero-Turn-Radius Riding Mower

Model No. 79410—Serial No. 40000000 and Up



Ordering Replacement Parts

To order replacement parts, please supply the part number, the quantity, and the description of each part desired.

Understanding Reference Numbers

Each identified part in an illustration has a reference number. The reference number for a part also appears in the parts list, along with other information about the part.

This catalog uses two special reference number formats, one to indicate parts in a service assembly and another to indicate the quantity of a given part in an illustration.

Service Assembly Reference Numbers

Parts in service assemblies have reference numbers in the form a:b. The a represents the reference number of the entire service assembly and the b represents a sequential number unique to each part within the service assembly.

For example, a wheel assembly might be identified by reference number 6, the tire by 6:1, the valve by 6:2, and the wheel by 6:3. When you order the assembly identified by reference number 6, you receive all parts identified by reference numbers 6:1, 6:2, and 6:3. However, you may also order any part individually. Reference numbers of this type appear in illustration and in parts lists.

Reference Numbers Indicating Quantity

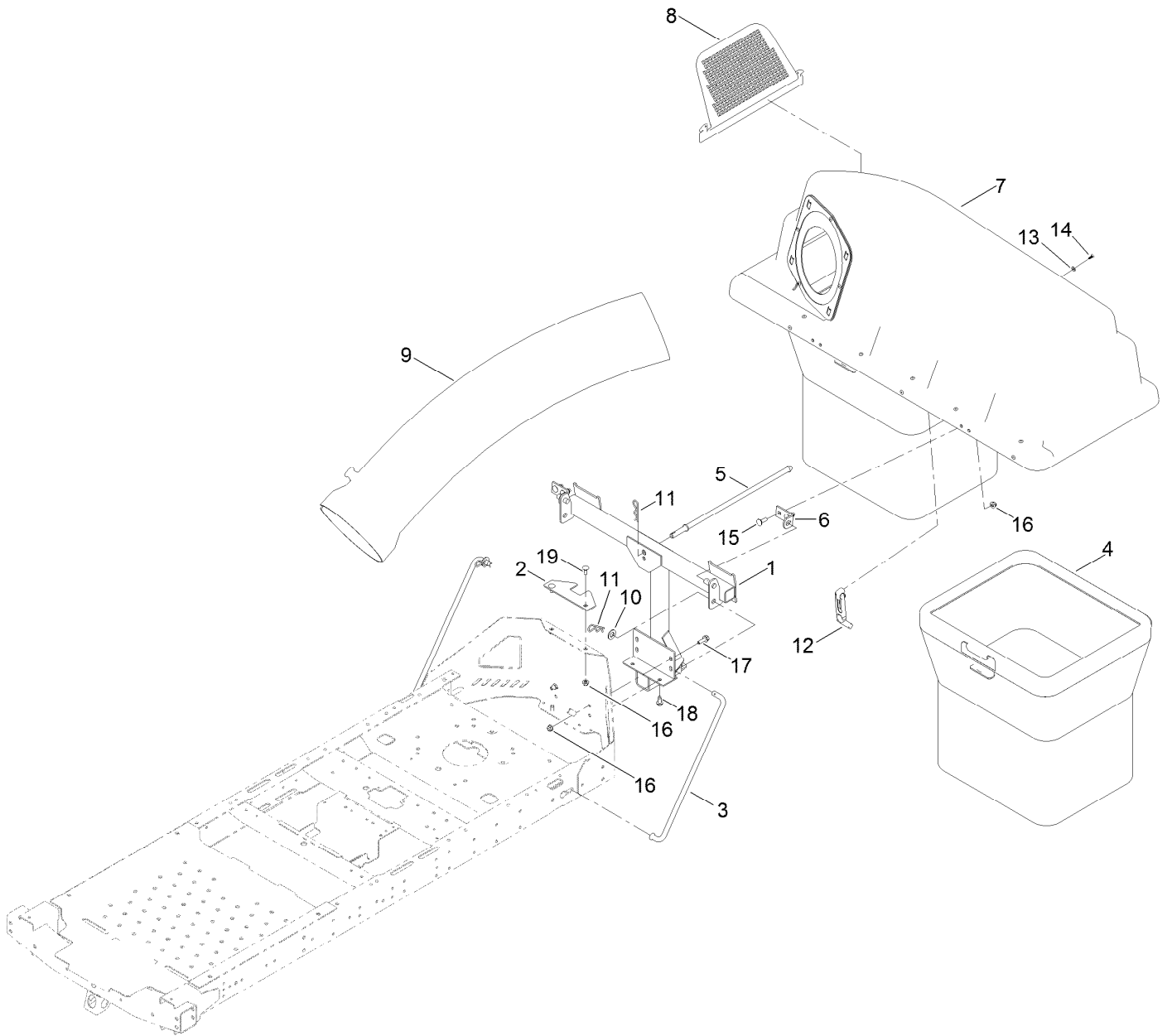
In an illustration, if a reference number indicates more than one part, the reference number has the form nX y. The n represents the quantity of the part, the X is the multiplication symbol, and the y represents the reference number.

For example, in an illustration, the reference number 2X 37 means that two of the parts identified by reference number 37 are indicated.

Contents

- Twin Bag Assembly 4
- Bag Assembly No. 140-5026 6
- Bagger Top Assembly 8
- Weight Assembly 10
- Chute Assembly 12
- Chute Assembly No. 140-3503 14

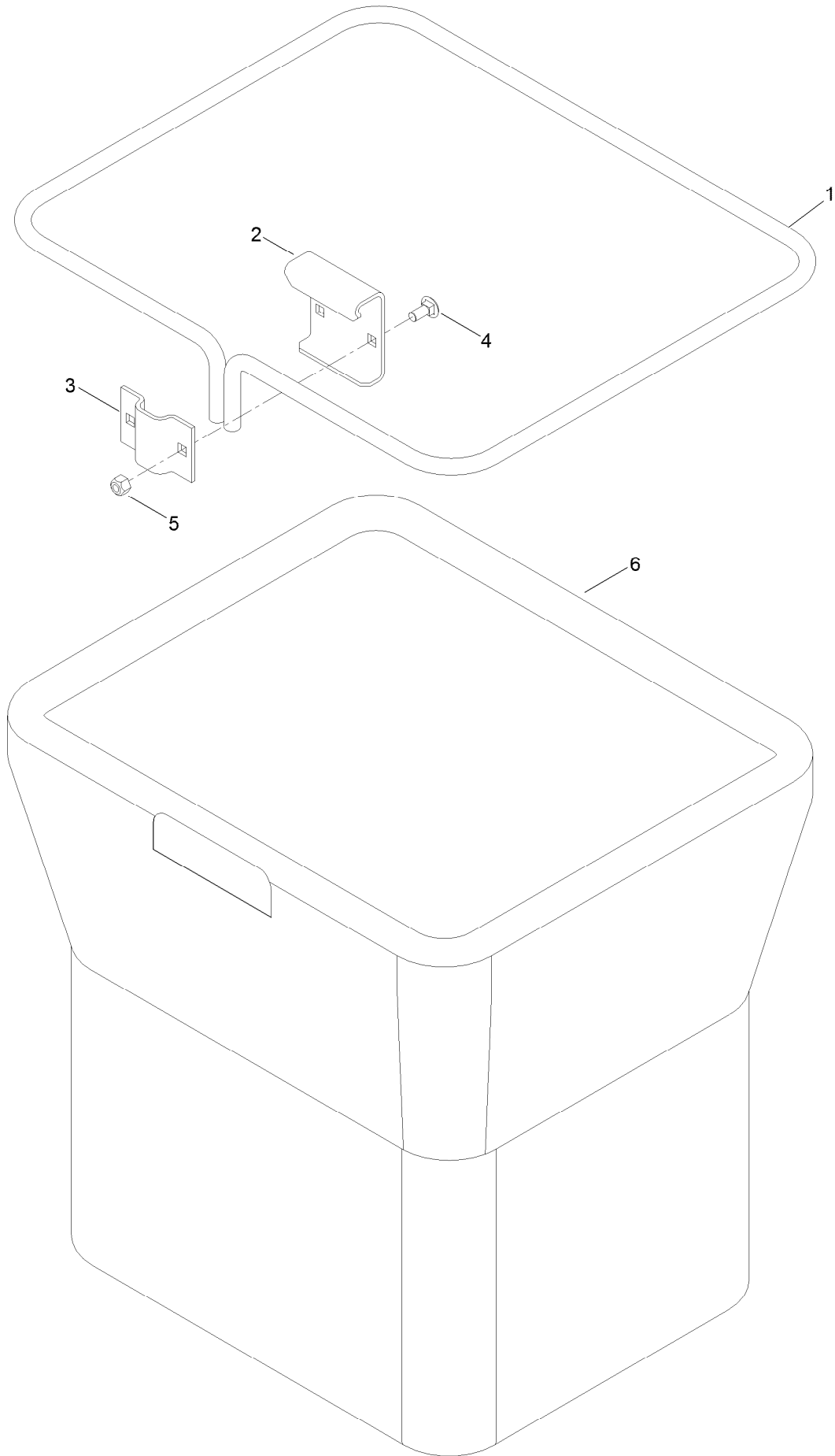
Twin Bag Assembly



Twin Bag Assembly (continued)

<i>Ref.</i>	<i>Part Number</i>	<i>Qty.</i>	<i>Description</i>	<i>Ref.</i>	<i>Part Number</i>	<i>Qty.</i>	<i>Description</i>
1	133-4320-03	1	Pivot Frame ASM	11	139-2562	3	Pin-Hair
2	131-3967-03	1	Bracket-Stabilizer	12	116-4992	1	Latch-Rubber
3	140-5093	2	Rod-Support, Cz	13	137-9472	2	Washer-Flat
4	140-5026	2	Bag ASM	14	132-6919	2	Screw-Plastic, PTH
5	131-4189	1	Rod-Hood, Down	15	110-3144	4	Bolt-CARR
6	140-5016	2	Bracket-Hopper Pivot	16	119-4041	8	Nut-HF
7	140-5096	1	Top ASM-Bagger	17	139-2596	2	Screw-HHF
8	112-3993	1	Screen-Bagger	18	32144-70	2	Screw-HWHTF
9	112-3995	1	Tube-Bagger	19	139-2630	2	Bolt-CARR
10	139-2611	2	Washer-Flat				

Bag Assembly No. 140-5026

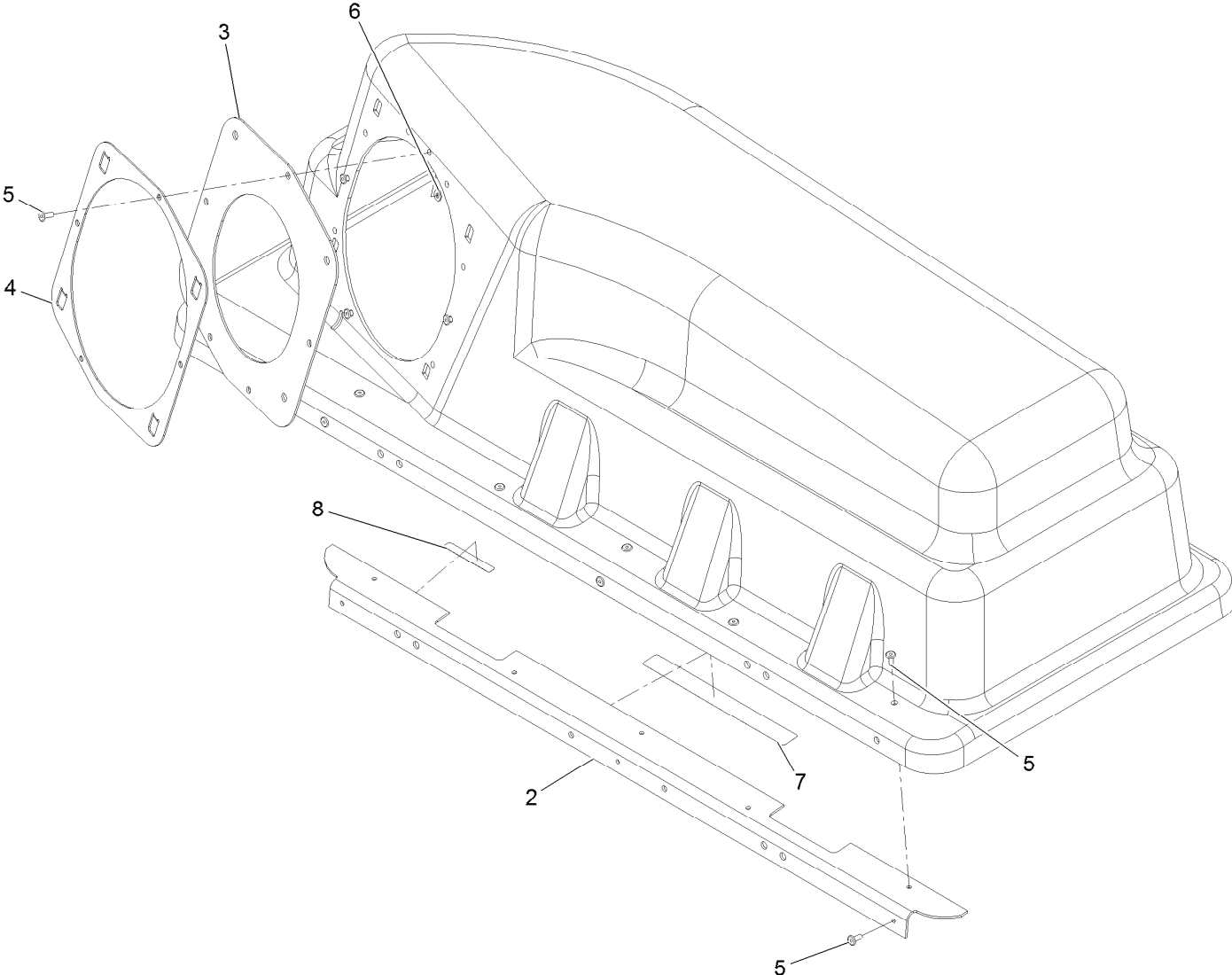


Bag Assembly No. 140-5026 (continued)

<i>Ref.</i>	<i>Part Number</i>	<i>Qty.</i>	<i>Description</i>
1	114972-03	1	Frame-Bag
2	114973-03	1	Hanger-Bag
3	114974-03	1	Clamp

<i>Ref.</i>	<i>Part Number</i>	<i>Qty.</i>	<i>Description</i>
4	139-2630	2	Bolt-CARR
5	119-4038	2	Nut-Hex
6	110-6674	1	Bag

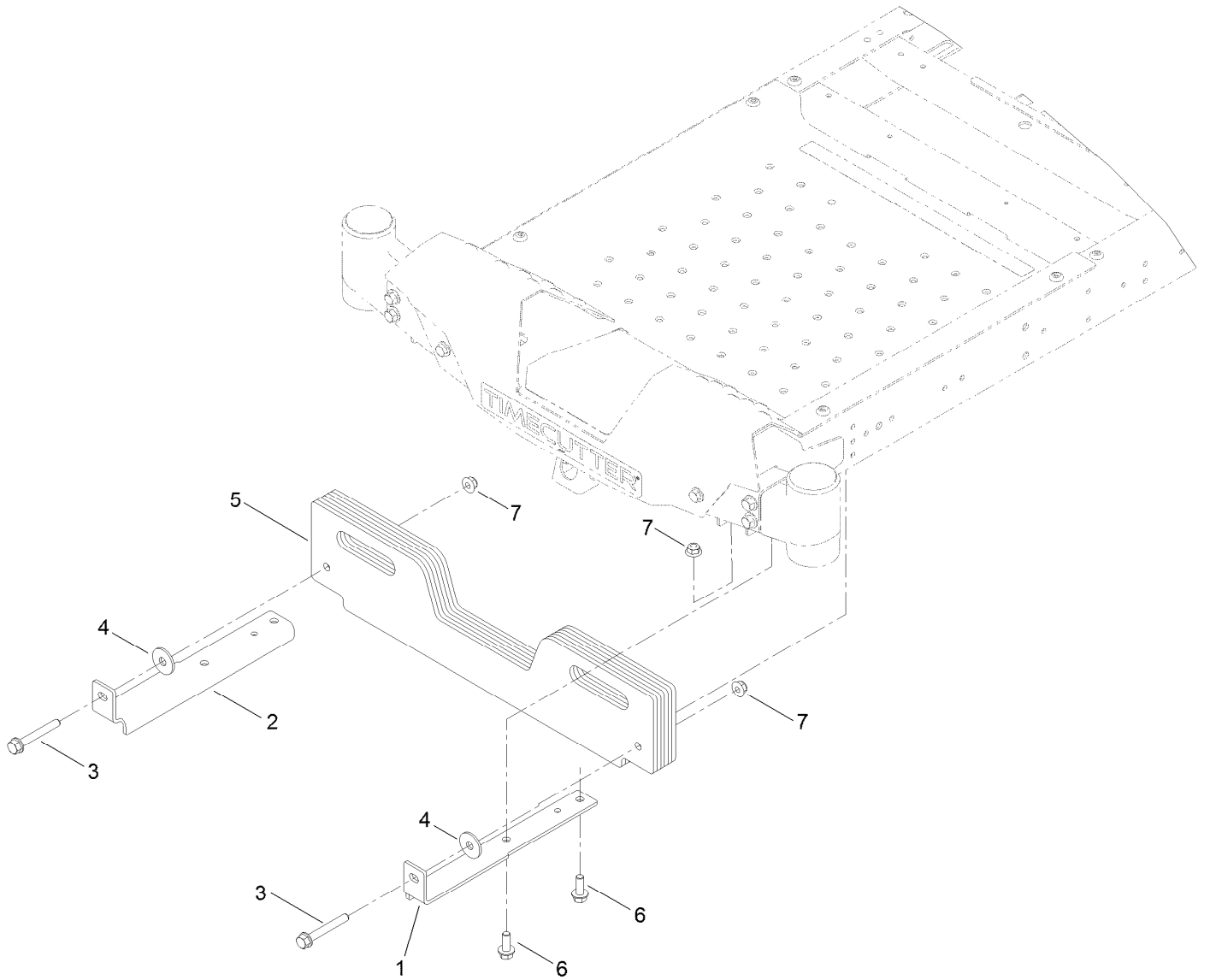
Bagger Top Assembly



Bagger Top Assembly (continued)

<i>Ref.</i>	<i>Part Number</i>	<i>Qty.</i>	<i>Description</i>	<i>Ref.</i>	<i>Part Number</i>	<i>Qty.</i>	<i>Description</i>
2	116-1242-03	1	Stiffener-Bagger Top	6	137-3073	4	Washer-Plain
3	112-4001	1	Gasket	7	109-6809	1	Decal-Caution, Bagger
4	112-4000-03	1	Ring-Retainer	8	133-8061	1	Decal-Warning
5	114439	12	Rivet-Blind				

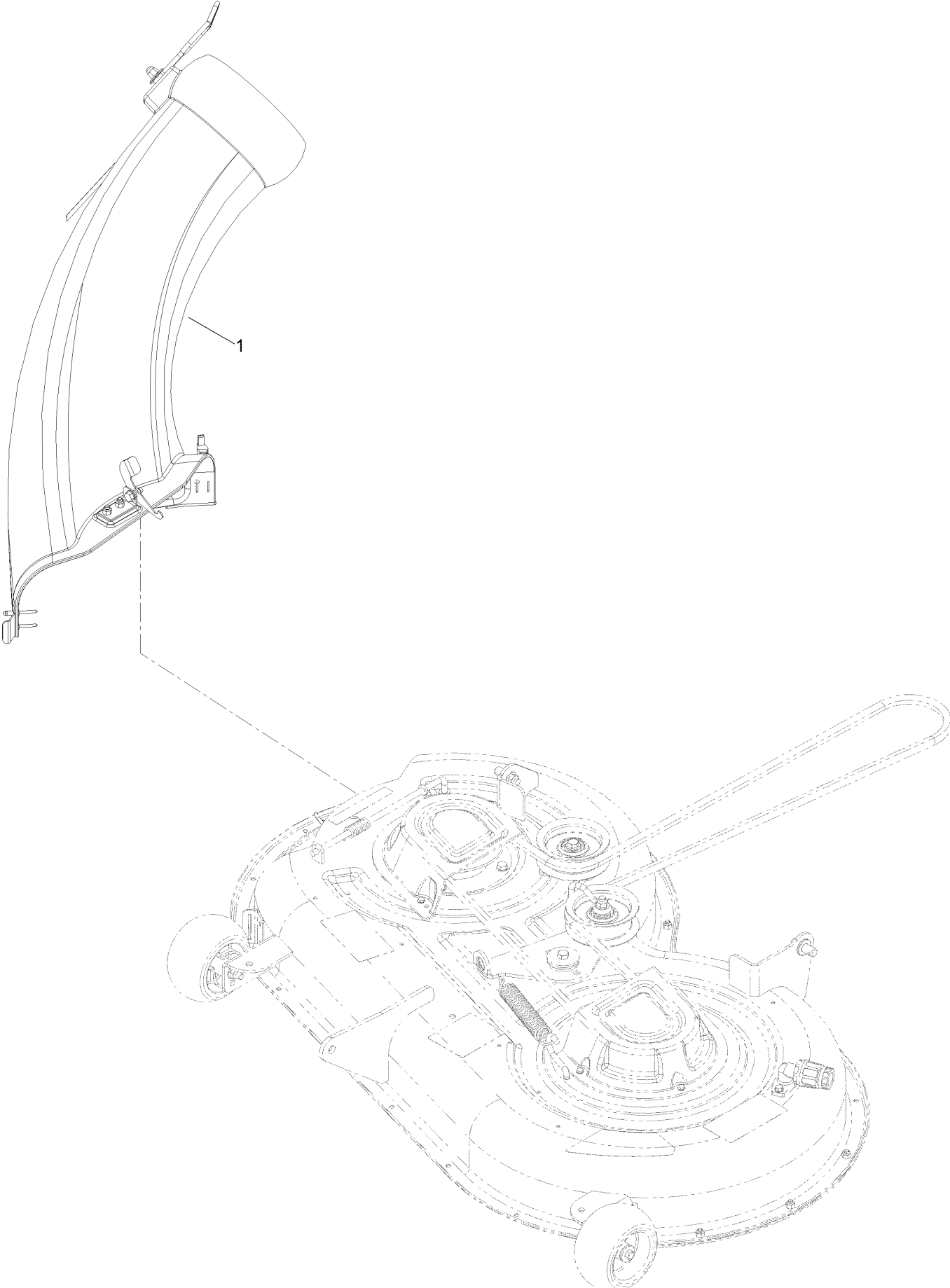
Weight Assembly



Weight Assembly (continued)

<i>Ref.</i>	<i>Part Number</i>	<i>Qty.</i>	<i>Description</i>	<i>Ref.</i>	<i>Part Number</i>	<i>Qty.</i>	<i>Description</i>
1	139-5817-03	1	Bracket-Weight, LH	5	139-7482-03	8	Weight-Bagger
2	139-5815-03	1	Bracket-Weight, RH	6	139-2597	4	Screw-HHF
3	140-5097	2	Screw-Spcl	7	119-4042	6	Nut-HF, NI
4	87-5330	2	Washer				

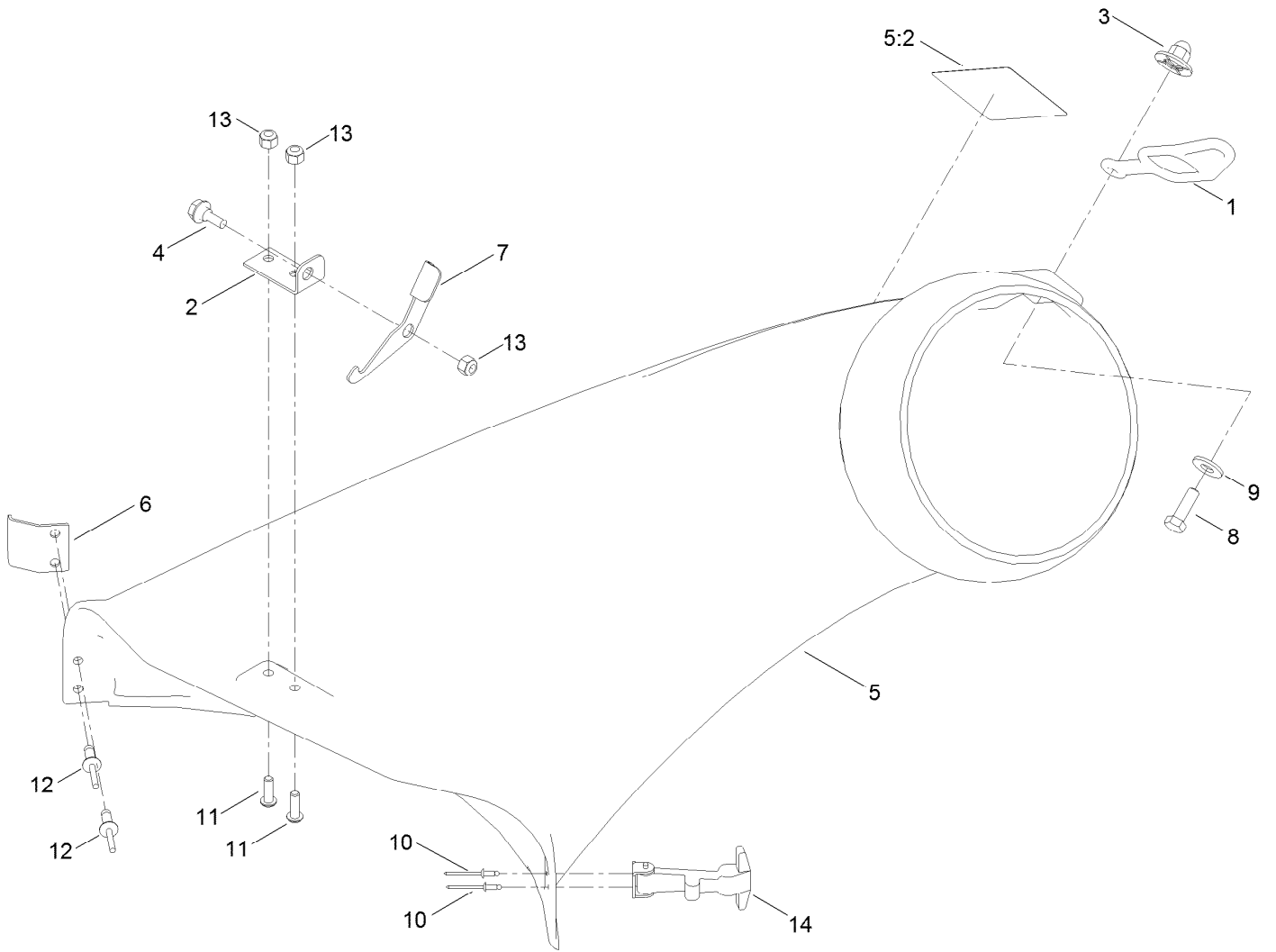
Chute Assembly



Chute Assembly (continued)

<i>Ref.</i>	<i>Part Number</i>	<i>Qty.</i>	<i>Description</i>
1	140-3503	1	42 Inch Bagger Boot ASM

Chute Assembly No. 140-3503



Chute Assembly No. 140-3503 (continued)

<i>Ref.</i>	<i>Part Number</i>	<i>Qty.</i>	<i>Description</i>	<i>Ref.</i>	<i>Part Number</i>	<i>Qty.</i>	<i>Description</i>
1	82-5690	1	Retainer-Duct	8	139-1716	1	Screw-HH
2	140-5094	1	Plate-Pivot, Cz	9	139-1723	1	Washer-Flat
3	114-9015	1	Nut-Impeller	10	3269-31	2	Rivet-Pop
4	139-1730	1	Screw-Shoulder, HHF	11	3274-69	2	Screw-HSBH
5	137-5036	1	42 Inch Bagger Boot ASM	12	3290-412	2	Rivet-Blind
5:2	110-6691	1	Decal-Danger	13	137-3088	3	Nut-Hex
6	137-2023	1	Bracket-Elbow	14	117344	1	Handle ASM
7	140-3497	1	Latch				

