



## **522, 622, and 724**

### **Snowthrower**

**Model No. 38051—200000001 and Up**

**Model No. 38064—200000001 and Up**

**Model No. 38072—200000001 and Up**

## **Operator's Manual**

Pour obtenir gratuitement une version en français de ce manuel, écrivez à l'adresse ci-dessous. N'oubliez pas d'indiquer les numéros de modèle et de série de votre produit.

The Toro Company, Attn: Parts Dept., 8111 Lyndale Ave S, Bloomington, MN 55420-1196

# Contents

	Page
Introduction .....	2
Safety .....	3
General Snowthrower Safety .....	3
Toro Snowthrower Safety .....	4
Safety and Instruction Decals .....	6
Assembly .....	6
Loose Parts .....	6
Installing the Handle .....	7
Installing the Speed Selector Rod .....	8
Installing the Traction Rod .....	8
Installing the Auger/Impeller Drive Control Linkage .....	9
Installing the Chute Control Rod .....	9
Securing the Chute Deflector .....	10
Checking the Tire Pressure .....	10
Before Starting .....	10
Filling the Engine with Oil .....	10
Filling the Fuel Tank With Gasoline .....	11
Operation .....	12
Controls .....	12
Starting and Stopping the Engine .....	13
Freewheeling or Self-propelled Drive .....	14
Snowthrowing Tips .....	15
Maintenance .....	16
Recommended Maintenance Schedule .....	16
Checking the Engine Oil Level .....	17
Changing the Engine Oil .....	17
Checking/Adding Auger Gear Box Grease .....	17
Adjusting the Traction Drive .....	18
Replacing the Traction Drive Belt .....	18
Adjusting the Auger/Impeller Drive Belt .....	19
Replacing the Auger/Impeller Drive Belt .....	19
Adjusting the Skids and the Scraper .....	20
Adjusting the Speed Selector .....	21
Lubricating the Snowthrower .....	21
Replacing the Spark Plug .....	22
Emptying the Fuel Tank .....	22
Storage .....	23
Preparing the Fuel System .....	23
Preparing the Engine .....	23
Preparing the Snowthrower .....	23
Accessories .....	23
Warranty .....	Back Cover

⚠
WARNING
⚠

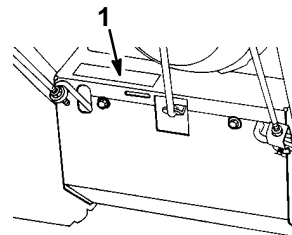
**The engine exhaust from this product contains chemicals known to the State of California to cause cancer, birth defects, or other reproductive harm.**

## Introduction

Thank you for choosing a Toro product. We want you to be completely satisfied with your new purchase.

Read this manual carefully to learn how to operate and maintain your product properly. The information in this manual can help you and others avoid injury and product damage. Although Toro designs and produces safe products, you are responsible for operating the product properly and safely.

Whenever you contact your Authorized Service Dealer or the factory for help with service, genuine Toro parts, or additional information, have the model number and the serial number of your product handy. You will find the model number and serial number decal on the product as illustrated in Figure 1.



m-2592

**Figure 1**

1. Model number and serial number decal

Write the product model number and serial number in the space below:

**Model No.** \_\_\_\_\_

**Serial No.** \_\_\_\_\_

This manual identifies potential hazards and has special safety messages that help you and others avoid personal injury and even death. DANGER, WARNING, and CAUTION are words used to identify the level of hazard.


**DANGER** signals an extreme hazard that will cause serious injury or death if you do not follow the recommended precautions.

**WARNING** signals a hazard that may cause serious injury or death if you do not follow the recommended precautions.

**CAUTION** signals a hazard that may cause minor or moderate injury if you do not follow the recommended precautions.

This manual uses two other words to highlight information. **Important** calls attention to special mechanical information and **Note** emphasizes general information worthy of special attention.

## Safety

**To ensure maximum safety, best performance, and to gain knowledge of the product, it is essential that you and any other operator of the snowthrower read and understand the contents of this manual before the motor is ever started. Pay particular attention to the safety alert symbol  which means CAUTION, WARNING, OR DANGER — “personal safety instruction.” Read and understand the instruction because it has to do with safety. Failure to comply with instruction may result in personal injury.**

The snowthrower is designed and tested to offer reasonably safe service; however, **failure to comply with the following instructions may result in personal injury.**

### General Snowthrower Safety

The following instructions have been adapted from the ANSI/OPEI standard B71.3—1995 and ISO standard 8437:1989. Information or terminology specific to Toro snowthrowers is enclosed in parenthesis.

#### Training

- Read the operator’s manual carefully. Be thoroughly familiar with the controls and the proper use of the equipment. Know how to stop the unit and disengage the controls quickly.
- Never allow children to operate the equipment. Never allow adults to operate the equipment without proper instruction.
- Keep the area of operation clear of all persons, particularly small children and pets.
- Exercise caution to avoid slipping or falling, especially when operating in reverse.

#### Preparation

- Thoroughly inspect the area where the equipment is to be used and remove all doormats, sleds, boards, wires, and other foreign objects.

- Disengage all clutches and shift into neutral before starting the engine.
- Do not operate the equipment without wearing adequate winter garments. Wear footwear which will improve footing on slippery surfaces.
- Handle fuel with care; it is highly flammable.
  - Use an approved fuel container.
  - Never add fuel to a running or hot engine.
  - Fill fuel tank outdoors with extreme care. Never fill fuel tank indoors.
  - Replace gasoline caps securely and wipe up spilled fuel.
- Use only the power cord supplied with the snowthrower and a receptacle appropriate for use with the cord for electric starting motors.
- Adjust the collector (auger) housing height to clear gravel or crushed rock surface. (This is not necessary on single-stage snowthrowers).
- Never attempt to make any adjustments while the engine is running, except where specifically recommended by manufacturer (Toro).
- Let engine and machine adjust to outdoor temperatures before starting to clear snow.
- The operation of any powered machine can result in foreign objects being thrown into the eyes. Always wear safety glasses or eye shields during operation or while performing an adjustment or repair.

#### Operation

- Do not put hands or feet near or under rotating parts. Keep clear of the discharge opening at all times.
- Exercise extreme caution when operating on or crossing gravel drives, walks, or roads. Stay alert for hidden hazards or traffic.
- After striking a foreign object, stop the engine, remove the wire from the spark plug, thoroughly inspect the snowthrower for any damage, and repair the damage before restarting and operating the snowthrower.
- If the unit should start to vibrate abnormally, stop the engine and check immediately for the cause. Vibration is generally a warning of trouble.
- Stop the engine whenever you leave the operating position, before unclogging the collector/impeller (auger/impeller) housing or discharge guide (chute), and when making any repairs, adjustments, or inspections.
- When cleaning, repairing, or inspecting, make certain the collector/impeller (auger/impeller or rotor blades) and all moving parts have stopped. Disconnect the

spark-plug wire, and keep the wire away from the plug to prevent someone from accidentally starting the engine. Disconnect the cable on electric motors.

- Do not run the engine indoors, except when starting it and for moving the snowthrower in or out of the building. Open the outside doors; exhaust fumes are dangerous.
- Do not clear snow across the face of slopes. Exercise extreme caution when changing direction on slopes. Do not attempt to clear steep slopes.
- Never operate the snowthrower without proper guards, plates or other safety protective devices in place.
- Never operate the snowthrower near glass enclosures, automobiles, window wells, drop-offs, etc. without proper adjustment of the snow discharge angle. Keep children and pets away.
- Do not overload the machine capacity by attempting to clear snow at too fast a rate.
- Never operate the machine at high transport speeds on slippery surfaces. Look behind and use care when moving in reverse.
- Never direct discharge at bystanders or allow anyone in front of the unit.
- Disengage power to the collector/impeller (auger/impeller or rotor blades) when snowthrower is transported or not in use.
- Use only attachments and accessories approved by the manufacturer of snowthrower (Toro), such as wheel weights, counterweights, cabs, etc. (Refer to your Authorized Service Dealer for accessories available for your snowthrower.)
- Never operate the snowthrower without good visibility or light. Always be sure of your footing, and keep a firm hold on the handles. Walk; never run.

## Maintenance and storage

- Check all fasteners at frequent intervals for proper tightness to be sure the equipment is in safe working condition.
- Never store the machine with fuel in the fuel tank inside a building where ignition sources are present such as hot water and space heaters, clothes dryers, etc. Allow the engine to cool before storing in any enclosure.
- Always refer to this operator's manual for important details if the snowthrower is to be stored for an extended period.
- Maintain or replace safety and instruction labels, as necessary.

- Run the machine a few minutes after throwing snow to prevent freeze-up of the collector/impeller (auger/impeller). (With the engine running, pull the recoil starter handle several times.)

## Toro Snowthrower Safety

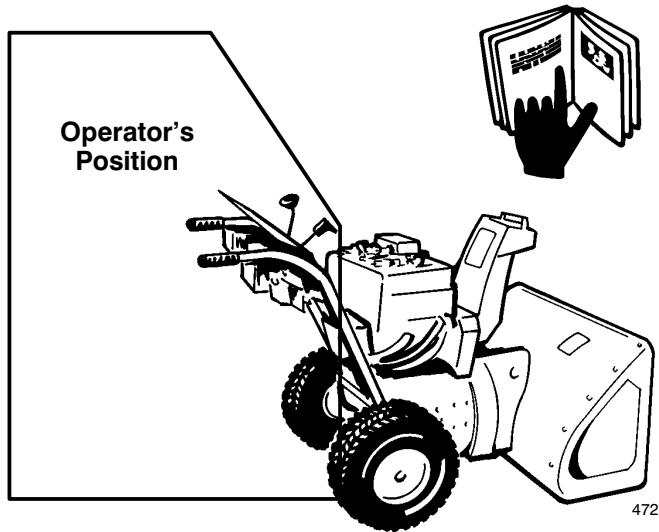
The following list contains safety information specific to Toro products or other safety information that you must know that is not included in the ANSI or ISO standards.

- **The rotating impeller/auger or rotor blades can cut off or injure fingers or hands.** Stay behind the handles and away from the discharge opening while operating the snowthrower. **Keep your face, hands, feet, and any other part of your body or clothing away from concealed, moving, or rotating parts.**
- Before adjusting, cleaning, repairing, and inspecting the snowthrower, and before unclogging the discharge chute, **stop the engine, remove the key, and wait for all moving parts to stop.** Also, pull the wire off of the spark plug and keep it away from the plug to prevent someone from accidentally starting the engine.
- Use a stick, **not your hands** to remove obstructions from the discharge chute.
- **Before** leaving the operator's position behind the handles, stop the engine, remove the key, and wait for all moving parts to stop.
- Do not wear loose fitting clothing that could possibly get caught in moving parts.
- If a shield, safety device, or decal is damaged, illegible, or lost, repair or replace it before beginning operation. Also, tighten any loose fasteners.
- **Do not** smoke while handling gasoline.
- For two-stage snowthrowers, use the lower gear and, if applicable, the rear wheel position when operating on slopes.
- **Do not** use the snowthrower on a roof.
- Do not touch the engine while it is running or soon after it is stopped because the engine will be hot enough to cause a burn. Do not add oil or check the oil level in the crankcase when the engine is running.
- Perform only those maintenance instructions described in this manual. Before performing any maintenance, service, or adjustment, stop the engine, remove the key and pull the wire from the spark plug, keeping it away from the plug to prevent someone from accidentally starting the engine. If major repairs are ever needed, contact your Authorized Toro Service Dealer.
- Do not over speed the engine by changing the governor settings.

- When storing the snowthrower for more than 30 days, drain the gasoline from the fuel tank to prevent a potential hazard. Store gasoline in a safety approved, red metal container. Remove the key from the ignition switch before storing the snowthrower.

### Before Operating

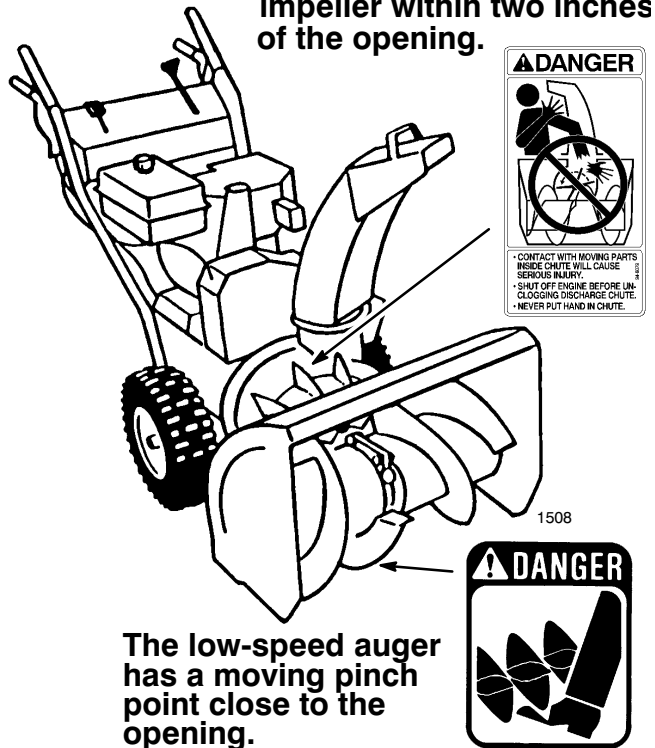
Read and understand the contents of this manual before operating the snowthrower. Become familiar with all controls and know how to stop the engine quickly.



- To ensure the best performance and safety, purchase only genuine Toro replacement parts and accessories to keep the Toro all Toro. **Do not use "Will Fit" replacement parts and accessories as they could cause a safety hazard.**

**Caution: Improper use may result in loss of fingers, hands, or feet.**

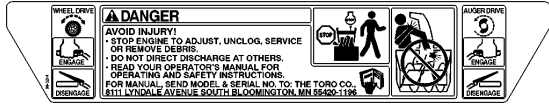
There is a high-speed impeller within two inches of the opening.



# Safety and Instruction Decals



Safety and instruction decals are easily visible to the operator and are located near any area of potential danger. Replace any decal that is damaged or lost.



On Control Panel  
(Part No. 99-3214)



By Choke  
(Tecumseh  
Part No. 34418)



On Auger/  
Impeller Housing  
(Part No. 53-7670)



On Discharge  
Chute  
(Part No. 94-8097)



Between Ignition and  
Throttle  
(Tecumseh Part No. 35063)



On Chute Control Bracket  
(Part No. 63-3510)



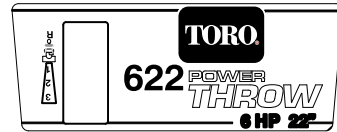
On Engine  
(Tecumseh Part No. 37119)



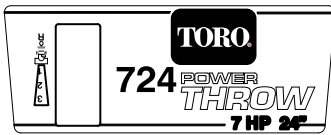
Next to Primer  
(Tecumseh Part No. 36501)



On Control Panel  
(Part No. 100-3332,  
model 38051 only)



On Control Panel  
(Part No. 100-3333,  
model 38064 only)



On Control Panel  
(Part No. 100-3437,  
model 38072 only)

# Assembly

**Note:** Determine the left and right sides of the snowthrower by standing in the normal operating position.

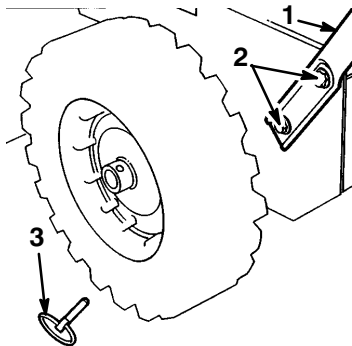
## Loose Parts

DESCRIPTION	QTY.	USE
Capscrews and curved washers	4	Installing the handle
Cotter pin	1	Installing the speed selector rod
Flat washer	1	
Clevis pin	1	Installing the auger/impeller and traction drive control rod
Cotter pin	1	
Flange nut	1	
Locking flange nut	1	

DESCRIPTION	QTY.	USE
Capscrew	1	Installing the chute control rod
Locknut	1	
Pyramidal washer	1	
Carriage bolt	1	
Bracket	1	
Carriage bolt	1	Securing the chute deflector
Rubber washer	1	
Friction plate	1	
Large flat washer	1	
Curved washer	1	
Locknut	1	
Key	1	Starting and stopping the engine

## Installing the Handle

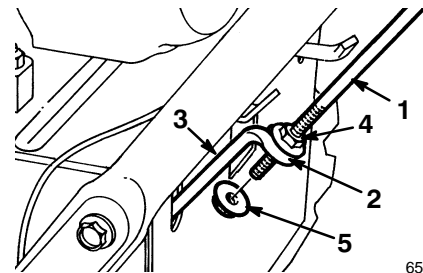
1. Remove the tie straps that secure the control rods to the handle.
2. Remove the axle pins from both wheels and slide the wheels outward on the axle approximately one inch (2.5 cm) to make room for assembling the handles (Fig. 2).



**Figure 2**

1. Handle
2. Capscrews and curved washers
3. Axle pin

3. Thread a flange nut (not the locking flange nut) with the flange down onto the traction control rod attached to the left handle (Fig. 3)



**Figure 3**

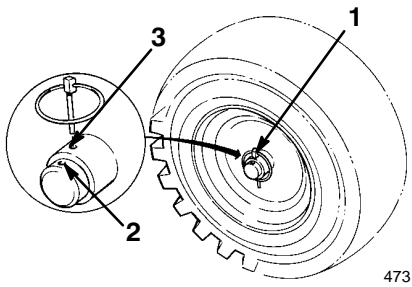
1. Traction rod
2. Loop
3. Lower traction rod
4. Flange nut
5. Locking flange nut

4. Position the left handle against side of the snowthrower and insert the end of the traction rod through the loop in the lower traction rod (Fig. 3).
5. Align the left handle mount holes with the holes in the left side plate, and secure the handle with two capscrews and curved washers until they are finger tight (Fig. 2).

**Note:** The concave side of the curved washer goes against the outside of the handle.

6. Align the right handle mount holes with the holes in the right side plate, and secure the handle with two capscrews and curved washers until they are finger tight.
7. Ensure that the handles are at the same height, then tighten the handle fasteners securely.

- Slide the wheels inward and install the axle pin through the holes in the wheel hub and through the **inner** hole of the axle (Fig. 4).



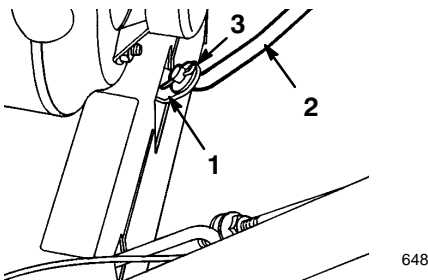
**Figure 4**

- |                    |                                  |
|--------------------|----------------------------------|
| 1. Axle pin        | 3. Inner axle hole and wheel hub |
| 2. Outer axle hole |                                  |

**Note:** If your snowthrower has the optional tire chains, install the axle pin through the **outer** axle holes.

## Installing the Speed Selector Rod

- Pull the speed selector arm (Fig. 5) to the most outward position.
- Move the speed selector (Fig. 6) on the control panel to the R (reverse) position.
- Install the speed selector rod into the selector arm, add one flat washer on the selector rod, and secure it with a cotter pin (Fig. 5).



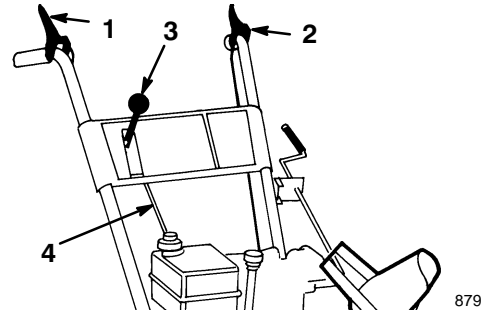
**Figure 5**

- |                       |                               |
|-----------------------|-------------------------------|
| 1. Speed selector arm | 3. Flat washer and cotter pin |
| 2. Speed selector rod |                               |

## Installing the Traction Rod

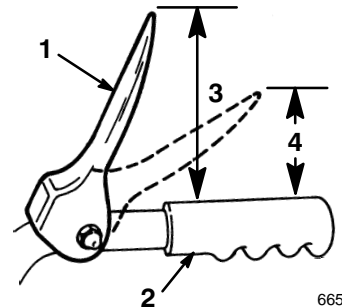
- Thread the locking flange nut (flange side up) onto the bottom of the traction control rod, below the loop in the lower traction rod (Fig. 3).

- Adjust the two flange nuts up or down on the traction control rod until the distance between the top of the handgrip and the bottom of the traction control lever (Figs. 6 and 7) is approximately 4 3/8 in. (11 cm).



**Figure 6**

- |                                 |                         |
|---------------------------------|-------------------------|
| 1. Auger/impeller control lever | 3. Speed selector lever |
| 2. Traction control lever       | 4. Speed selector rod   |



**Figure 7**

- |                           |                             |
|---------------------------|-----------------------------|
| 1. Traction control lever | 3. 4 3/8 in. (11 cm)        |
| 2. Handgrip               | 4. 1 to 2 in. (2.5 to 5 cm) |

- Tighten the two flange nuts finger tight.
- Move the speed selector (Fig. 6) into third gear.

**Note:** If the speed selector does not move into third gear, adjust the speed selector before continuing. Refer to *Adjusting the Speed Selector* on page 21.

- Slowly pull the snowthrower backward while slowly pressing the traction control lever toward the handle.

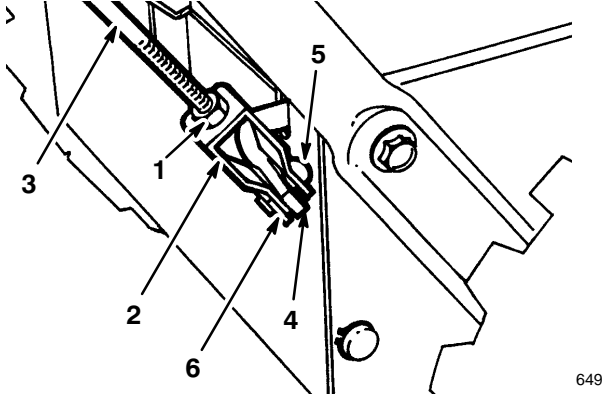
The adjustment is correct when the wheels stop rolling backwards and the distance between the top of the handgrip and the bottom of the traction control lever is one to two inches (2.5 to 5 cm) (Fig. 7).

- Adjust the two flange nuts, if necessary, to obtain this dimension.
- Tighten the flange nuts securely.



# Installing the Auger/Impeller Drive Control Linkage

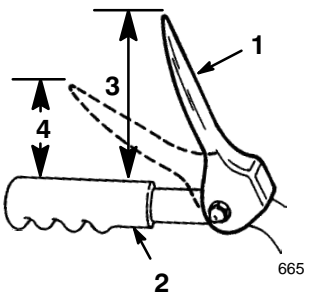
1. Loosen the jam nut above the clevis on the upper control rod (Fig. 8).
2. Align the holes in the clevis and lower control rod and insert the clevis pin (Fig. 8).



**Figure 8**

- |                      |                      |
|----------------------|----------------------|
| 1. Jam nut           | 4. Lower control rod |
| 2. Clevis            | 5. Clevis pin        |
| 3. Upper control rod | 6. Cotter pin        |

3. Check the distance between the top of the handgrip and the bottom of the auger/impeller control lever (Figs. 6 and 9). The distance should be approximately four inches (10 cm).



**Figure 9**

- |                                 |                               |
|---------------------------------|-------------------------------|
| 1. Auger/impeller control lever | 3. 4 in. (10 cm)              |
| 2. Handgrip                     | 4. 1 to 2 in. (2.5 to 5.1 cm) |

4. Press the auger/impeller control lever slowly toward the handgrip.

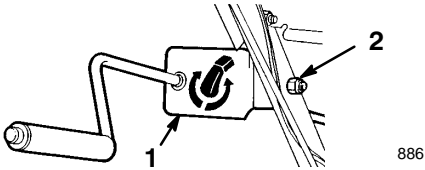
The amount of force to compress the lever increases noticeably when you remove the slack from the drive belt (approximately one-half of the lever movement). The adjustment is correct when the force **begins** to increase and the distance between the top of the handgrip and the bottom of the auger/impeller control lever is one to two inches (2.5 to 5 cm) (Fig. 9).

**Note:** If the force does not noticeably increase, remove the belt cover (refer to *Replacing the Auger/Impeller Drive Belt*, steps 1 and 2 on page 19) and measure two inches (5.1 cm) above the handgrip at the point where you remove the slack from the auger/impeller drive belt.

5. To adjust the distance:
  - A. Remove the clevis pin.
  - B. Loosen the jam nut.
  - C. Thread the clevis up or down to increase or decrease the distance between the handgrip and the auger/impeller control lever (Fig. 8).
6. When the adjustment is correct, install the clevis pin and secure it in place with the cotter pin (Fig. 8).
7. Tighten the jam nut to secure the clevis (Fig. 8).

# Installing the Chute Control Rod

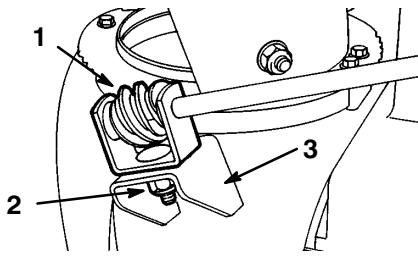
1. Assemble the chute control bracket and rod to the left side of the handle with a capscrew and a locknut. Leave the locknut loose (Fig. 10).



**Figure 10**

- |                                  |                         |
|----------------------------------|-------------------------|
| 1. Chute control bracket and rod | 2. Capscrew and locknut |
|----------------------------------|-------------------------|

2. Apply No. 2 general purpose grease to the worm gear.
3. Loosely mount the worm gear and bracket to the mounting flange with a bolt, a pyramidal washer, and a locknut (Fig. 11).
4. Slide the worm gear into the teeth of the chute retaining ring and tighten the locknut (Fig. 11).



658

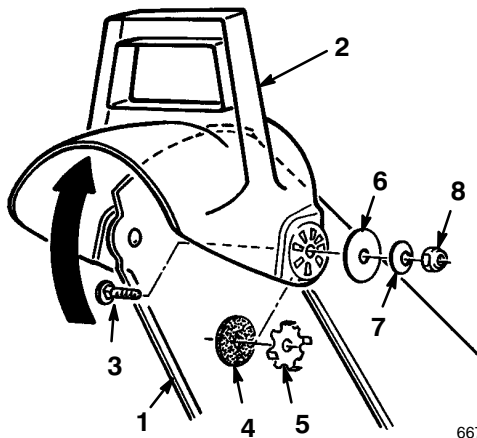
**Figure 11**

- |  |                    |
|--|--------------------|
| 1. Worm gear and bracket               | 3. Mounting flange |
| 2. Bolt, pyramidal washer, and locknut |                    |

5. Tighten the locknut that secures the chute control bracket (Fig. 10).
6. Check the operation of the chute control rod, moving the worm gear slightly outward if it binds.

## Securing the Chute Deflector

1. Pivot the deflector upward and back until the deflector stop passes over the lip on the top of the chute.
2. Secure the left side of the deflector to the discharge chute with the parts illustrated in Figure 12.
3. Position the rubber washer and the friction plate between the chute and deflector, with the friction plate tabs fitting into the holes in the deflector.



667

**Figure 12**

- |                  |                      |
|------------------|----------------------|
| 1. Chute         | 5. Friction plate    |
| 2. Deflector     | 6. Large flat washer |
| 3. Carriage bolt | 7. Curved washer     |
| 4. Rubber washer | 8. Locknut           |

**Note:** The concave side of the curved washers go against the large flat washers.

4. Tighten the nuts on both sides of the deflector. Do not overtighten the nuts.

## Checking the Tire Pressure

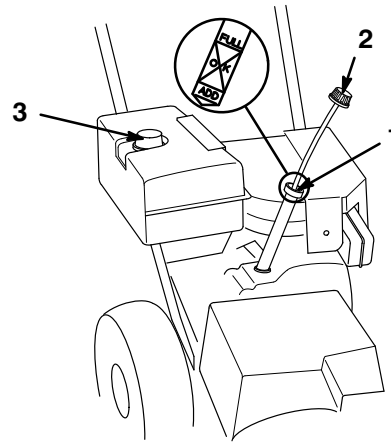
Check the pressure of the tires because they are overinflated at the factory for shipping. Reduce the pressure equally in both tires to between 7–15 psi (48–103 kPa).

## Before Starting

### Filling the Engine with Oil

The engine comes from the factory with only a few ounces of oil in the crankcase. Before starting the engine, add oil. The crankcase holds 21 ounces (0.62 liters) of oil; however, because there is some oil in the crankcase, do not add the full amount at one time. Gradually add the oil according to the following procedure:

1. Move the snowthrower to a level surface to ensure an accurate oil level reading.
2. Clean the area around the dipstick (Fig. 13).
3. Remove the dipstick from the crankcase (Fig. 13).



684

**Figure 13**

- |                |                  |
|----------------|------------------|
| 1. Filler hole | 3. Fuel tank cap |
| 2. Dipstick    |                  |

4. Slowly pour 3/4 of the total capacity of oil into the crankcase.

Use only a high-quality, SAE 5W–30 or SAE 10 weight, detergent oil, having the American Petroleum Institute (API) “service classification”—SE, SF or SG. For extreme cold conditions (below 0°F or –18°C), use 0W–30 weight detergent oil, having the American Petroleum Institute (API) “service classification”—SE, SF or SG.

5. Wipe the dipstick clean with a clean cloth.
6. Fully install the dipstick.

**Note:** To ensure an accurate oil level reading, you must fully install the dipstick.

7. Remove the dipstick.
8. Read the oil level on the dipstick.
9. If the oil level is below the Full mark, slowly add oil, checking the level frequently (steps 5 through 8), until the dipstick reads Full.



**IMPORTANT:** Do not overfill the crankcase and run the engine; engine damage will result. Drain the excess oil until the oil level on the dipstick reads Full.

## Filling the Fuel Tank With Gasoline

Use clean, fresh, lead-free gasoline (including *oxygenated* or *reformulated* gasoline) with an octane rating of 87 or higher. To ensure freshness, purchase only the quantity of gasoline that can be used in 30 days. Using unleaded gasoline results in fewer combustion chamber deposits and longer spark plug life.

**Engines certified to comply with California and U.S. EPA emission regulations for ULGE engines** are certified to operate on regular unleaded gasoline, include EM and TWC (if so equipped) emission control systems, and do not include any user adjustable features.

**IMPORTANT:** Do not use methanol, gasoline containing methanol, gasohol containing more than 10% ethanol, premium gasoline, or white gas. Using these fuels can damage the engine's fuel system.

 **DANGER** 

**POTENTIAL HAZARD**



- In certain conditions gasoline is extremely flammable and highly explosive.

**WHAT CAN HAPPEN**

- A fire or explosion from gasoline can burn you, others, and cause property damage.

**HOW TO AVOID THE HAZARD**

- Use a funnel and fill the fuel tank outdoors, in an open area, when the engine is cold. Wipe up any gasoline that spills.
- Do not fill the fuel tank completely full. Add gasoline to the fuel tank until the level is 1/4" to 1/2" (6 mm to 13 mm) below the bottom of the filler neck. This empty space in the tank allows gasoline to expand.
- Never smoke when handling gasoline, and stay away from an open flame or where gasoline fumes may be ignited by a spark.
- Store gasoline in an approved container and keep it out of the reach of children.
- Never buy more than a 30-day supply of gasoline.

 **DANGER** 

**POTENTIAL HAZARD**

- When fueling, under certain circumstances, a static charge can develop, igniting the gasoline.

**WHAT CAN HAPPEN**

- A fire or explosion from gasoline can burn you and others and cause property damage.

**HOW TO AVOID THE HAZARD**

- Always place gasoline containers on the ground away from your vehicle before filling.
- Do not fill gasoline containers inside a vehicle or on a truck or trailer bed because interior carpets or plastic truck bed liners may insulate the container and slow the loss of any static charge.
- When practical, remove gas-powered equipment from the truck or trailer and refuel the equipment with its wheels on the ground.
- If this is not possible, then refuel such equipment on a truck or trailer from a portable container, rather than from a gasoline dispenser nozzle.
- If a gasoline dispenser nozzle must be used, keep the nozzle in contact with the rim of the fuel tank or container opening at all times until fueling is complete.

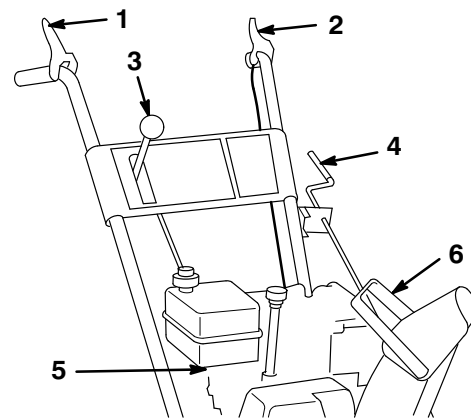
Use a fuel stabilizer/conditioner regularly during operation and storage. A stabilizer/conditioner cleans the engine during operation and prevents gum-like varnish deposits from forming in the engine during storage.

**IMPORTANT: Do not use fuel additives other than a fuel stabilizer/conditioner. Do not use fuel stabilizers with an alcohol base such as ethanol, methanol, or isopropanol.**

1. Clean the area around the fuel tank cap (Fig. 13).
2. Remove the cap from the fuel tank.
3. Using unleaded, regular gasoline, fill the tank to within 1/4 to 1/2 in. (6 to 13 mm) from the top of the tank.

**IMPORTANT: Do not fill the tank with gasoline into the filler neck. This space is for expansion of fuel. Do not fill the tank completely full.**

4. Install the fuel tank cap.
5. Wipe up any spilled gasoline.



**Figure 14**

- |                              |                            |
|------------------------------|----------------------------|
| 1. Auger drive control lever | 4. Discharge chute control |
| 2. Traction control lever    | 5. Fuel shut-off valve     |
| 3. Speed selector            | 6. Chute deflector handle  |

# Operation

## Controls

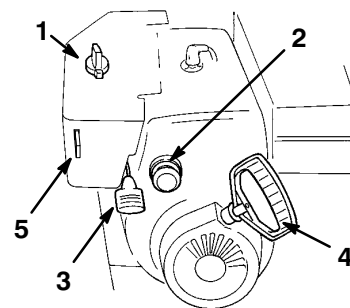
The following list contains descriptions of the snowthrower controls:

- **Auger/Impeller Drive Control Lever** (Fig. 14)—To engage both the auger and impeller, press the lever against the right handgrip. To disengage, release the lever.
- **Traction Control Lever** (Fig. 14)—To engage the traction (wheel drive), press the lever against the left handgrip. To stop traction, release the lever.
- **Speed Selector** (Fig. 14)—This control has four positions: one reverse and three forward speeds. To change speeds, move gear the shift to the desired position. The lever locks in a notch at each speed selection.
- **Discharge Chute Control** (Fig. 14)—Rotate the discharge chute control clockwise to move the discharge chute to the left and counterclockwise to move the chute to the right.
- **Fuel Shut-off Valve** (Fig. 14)—Close the valve by rotating it to the right to stop fuel flow from fuel tank. Open the valve by rotating it to the left. Close the valve when you do not use the snowthrower.
- **Chute Deflector Handle** (Fig. 14)—Move the deflector handle forward to move the snow stream down and rearward to move the snow stream up.

M-879

879

- **Choke** (Fig. 15)—Rotate the choke to the Full choke position to start a cold engine. As engine warms up, move choke gradually to Off.
- **Primer** (Fig. 15)—Press the primer to pump a small amount of gasoline into the engine for improved cold weather starting.
- **Throttle** (Fig. 15)—Move the throttle upward to increase engine speed and downward to decrease engine speed.
- **Recoil Starter** (Fig. 15)—Pull the recoil starter to start the engine.
- **Ignition Switch** (Fig. 15)—Insert the key before starting the engine. To stop the engine, remove the key.

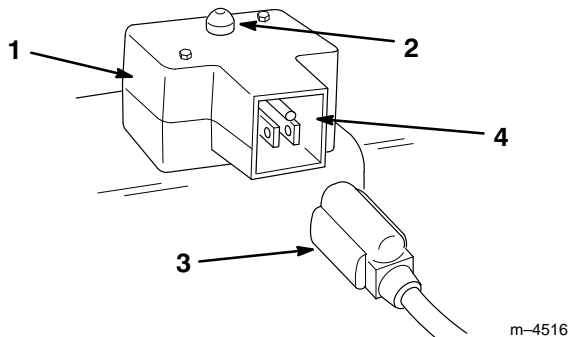


725

**Figure 15**

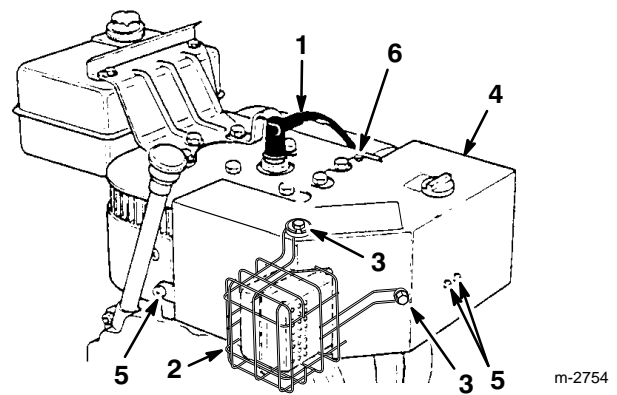
- |             |                    |
|-------------|--------------------|
| 1. Choke    | 4. Recoil starter  |
| 2. Primer   | 5. Ignition switch |
| 3. Throttle |                    |

- **Electric Starter** (Model 38064 only: Fig. 16)—Push the starter button to start the engine.
- **Power Cord** (Model 38064 only: Fig. 16)—Connect to the electric starter and an electrical outlet when starting the engine.



**Figure 16**

- |                     |               |
|---------------------|---------------|
| 1. Electric starter | 3. Power cord |
| 2. Starter button   | 4. Receptacle |



**Figure 17**

- |                                      |                          |
|--------------------------------------|--------------------------|
| 1. Spark plug wire                   | 4. Carburetor heater box |
| 2. Muffer guard                      | 5. Phillips screws       |
| 3. Screws, lock washers, and washers | 6. Hex head screw        |

4. Lift the heater box up and away from the engine.
5. Install the choke knob on the choke rod.

## Starting and Stopping the Engine

### Removing the Heater Box

If you operate the engine when the air temperature is above 40°F (4°C), remove the carburetor heater box (Fig. 17). Replace the heater box and the muffer guard when the air temperature falls below 40°F (4°C).

1. Pull the choke knob off the choke rod (Fig. 15).
2. Remove the three screws, lock washers, and washers securing the muffer guard to the engine (Fig. 17) and remove the muffer guard.
3. Remove two Phillips screws and one hex head screw that secures the heater box in place (Fig. 17).

### Starting the Engine

⚠ **DANGER** ⚠

**POTENTIAL HAZARD**

- When the snowthrower is running, the impeller and auger can be rotating.

**WHAT CAN HAPPEN**

- The rotating auger/impeller can cut off or injure hands and feet.

**HOW TO AVOID THE HAZARD**

- Before adjusting, cleaning, repairing and inspecting the snowthrower, and before unclogging the discharge chute, *shut the engine off and wait for all moving parts to stop*. Also, pull the wire off of the spark plug and keep it away from the plug to prevent someone from accidentally starting the engine.
- Use a stick, *not your hands*, to remove an obstruction from the discharge chute.
- Stay behind the handles and away from the discharge opening while operating the snowthrower.
- Keep face, hands, feet, and any other part of your body or clothing away from concealed, moving or rotating parts.

**IMPORTANT: Check the auger and impeller to ensure that both parts are not frozen but free to rotate. Also, ensure that the discharge chute is not obstructed. Use a stick, not your hand, to remove an obstruction from the discharge chute.**

1. Move the throttle (Fig. 15) to the Fast position.
2. Open the fuel shutoff valve below the fuel tank (Fig. 14) by rotating it to the left.
3. Rotate the choke (Fig. 15) to full choke position.
4. Cover the hole in center of the primer with your thumb and push the primer slowly three times, pausing for two seconds between each push.

**IMPORTANT: Do not use the primer if the engine has been running and is hot. Excessive priming may flood the engine and prevent it from starting.**

5. Insert the ignition key (Fig. 15).
6. **For a recoil starter:**
  - A. Grasp the recoil starter handle (Fig. 15) and pull it out slowly until positive engagement results; then pull it vigorously to start the engine.
  - B. Keep a firm grip on the starter handle and return the rope slowly.

**For an electric starter:**

- A. Connect the power cord to the snowthrower (Fig. 16) and to a standard household power outlet.
- B. Push the starter button (Fig. 16).

Run the electric starter no more than ten times at intervals of five seconds on, then five seconds off. If the engine does not start after this attempt, wait at least 40 minutes to allow the starter to cool before attempting to start it again.

**IMPORTANT: Running the electric starter extensively can overheat and damage the starter.**

If the engine does not start after the second attempt, bring the snowthrower to an Authorized Service Dealer for service.

- C. When the engine starts, disconnect the power cord from the snowthrower and the outlet.

**Note:** If engine does not start or if the air temperature is  $-10^{\circ}\text{F}$  ( $-23^{\circ}\text{C}$ ) or below, the engine may need additional priming. After pushing in the primer, try to start the engine before priming again.

7. After the engine starts, immediately rotate the choke (Fig. 15) to the 3/4 position.
8. As the engine warms up, rotate the choke to the 1/2 position; then to the Off position.

If the engine falters, return the choke to the 1/2 position until the engine warms sufficiently, then rotate the choke to the Off position.

## Before Stopping the Engine

1. Release the traction and auger/impeller drive controls (Fig. 14).
2. Engage the auger/impeller to clear any remaining snow from inside the housing.
3. Run the engine for a few minutes to dry off any accumulated moisture.
4. With the engine running, pull the recoil starter with a rapid, continuous, full arm stroke three or four times. This helps prevent the recoil starter from freezing up.

**Note:** Pulling the starter rope produces a loud, clattering sound. This does not harm the engine or the starter.



## Stopping the Engine

1. Release the traction and auger/impeller control levers (Fig. 14).
2. Move the throttle to the Slow position.
3. Remove the ignition key from the ignition switch (Fig. 15).
4. Wait for all moving parts to stop before leaving the operating position.

## Freewheeling or Self-propelled Drive

You can operate the snowthrower with the self-propelling feature engaged or disengaged (freewheeling). There are two holes in each end of the axle. When you insert the axle pins through the outer axle holes and not through wheel hubs (Fig. 4), the snowthrower freewheels. When you insert the axle pins through the wheel hubs and the inner axle holes (Fig. 4) and engage the traction control lever, the snowthrower propels itself.

# Snowthrowing Tips

 **DANGER** 

**POTENTIAL HAZARD**



- When the snowthrower is in operation, the impeller and auger can be rotating.

**WHAT CAN HAPPEN**

- The rotating auger/impeller can cut off or injure hands and feet.

**HOW TO AVOID THE HAZARD**

- Before adjusting, cleaning, repairing and inspecting the snowthrower, and before unclogging the discharge chute, *shut the engine off and wait for all moving parts to stop. Also, pull the wire off of the spark plug and keep it away from the plug to prevent someone from accidentally starting the engine.*
- Use a stick, *not your hands*, to remove an obstruction from the discharge chute.
- Stay behind the handles and away from the discharge opening while operating the snowthrower.
- Keep face, hands, feet, and any other part of your body or clothing away from concealed, moving or rotating parts.

 **WARNING** 

**POTENTIAL HAZARD**

- Stones, toys and other foreign objects may be picked up and thrown by the rotor blades.

**WHAT CAN HAPPEN**

- Thrown objects can cause serious personal injury to operator or bystanders.

**HOW TO AVOID THE HAZARD**

- Keep the area to be cleared free of all objects that could be picked up and thrown by rotor blades.
- Keep all children and pets away from area of operation.

happens, reduce forward speed by shifting into a lower gear. If the front still tends to ride up, lift up on both handles to hold down the front of snowthrower.

- Discharge the snow downwind whenever possible.
- Overlap each swath to ensure complete snow removal.
- If the wheels slip, shift into a lower gear to reduce forward speed.
- Do not overload the snowthrower by clearing snow at too fast a rate. If the engine slows down, shift to a lower gear to reduce forward speed.
- Always use full throttle (maximum engine speed) when throwing snow.
- In wet or slushy conditions, maintain maximum engine speed and do not overload the engine to prevent clogging the discharge chute.
- In some winter weather conditions, controls and moving parts may freeze. Therefore, when any control becomes hard to operate, stop the engine and wait for all moving parts to stop; then check all parts for freeze up. **Do not use excessive force or try to operate the controls when they are frozen.**

- When the snowthrower is not being used, close the fuel shut-off valve and remove the key.
- Remove snow as soon as possible after it falls. This produces best snow removal results.
- Adjust the skids to match the type of surface being cleaned. Refer to *Adjusting the Skids and the Scraper* on page 20.
- The snowthrower is designed to clean snow down to the contact surface, but there are times when the front of the snowthrower may tend to ride up. If this

# Maintenance

## Recommended Maintenance Schedule

Service Item	Service Operation	Initial	5 Hours	10 Hours	15 Hours	25 Hours	100 Hours	At Storage
Check the engine oil level	Check the oil level <b>before each use</b> and add oil if necessary.	X	X		X	X		X
Change the engine oil	Change the engine oil.					X		X
Auger gear box	Check the auger gear box oil. Replace if necessary.	X		X				X
Adjust the traction drive	Adjust the traction drive.	X	X		X	X		
Replace the traction drive belt	Replace the traction drive belt as needed.							
Adjust the auger/impeller drive belt	Adjust the auger/impeller drive belt as needed.		X		X	X		
Replace the auger/impeller drive belt	Replace the auger/impeller drive belt as needed.							
Skids and the scraper	Adjust the skids and the scraper blade.	X			X			
Speed selector	Adjust the speed selector as needed.	X						
Lubricating the snowthrower	Oil and grease the internal moving parts.				X			X
Spark plug	Clean, inspect, and gap. Replace if necessary.						X	
Fuel tank	Drain the gasoline and run the engine to dry out the tank and the carburetor.							X





## CAUTION



### POTENTIAL HAZARD

- If you leave the wire on the spark plug, someone could start the engine.

### WHAT CAN HAPPEN

- Someone accidentally starting the engine could seriously injure you or other bystanders.

### HOW TO AVOID THE HAZARD

- Pull the wire off of the spark plug before you do any maintenance. Also, push it aside so it does not accidentally contact the spark plug.

## Checking the Engine Oil Level

Check the oil level every five operating hours or each time you use the snowthrower.

1. Move the snowthrower to a level surface.
2. Clean the area around the dipstick (Fig. 13).
3. Remove the dipstick from the crankcase (Fig. 13).
4. Wipe the dipstick clean with a clean cloth.
5. Fully install the dipstick.

**Note:** To ensure an accurate oil level reading, you must fully install the dipstick.

6. Remove the dipstick (Fig. 13).
7. Read the oil level on the dipstick (Fig. 13).
8. If the oil level is below the Full mark, slowly add oil, checking the level frequently, until the dipstick reads Full.

Use only a high-quality, SAE 5W-30 or SAE 10 weight, detergent oil, having the American Petroleum Institute (API) "service classification"—SE, SF or SG. For extreme cold conditions (below 0°F or -18°C), use 0W-30 weight detergent oil, having the American Petroleum Institute (API) "service classification"—SE, SF or SG.

**IMPORTANT:** Do not overfill the crankcase and run the engine; engine damage will result. Drain the excess oil until the oil level on the dipstick reads Full.

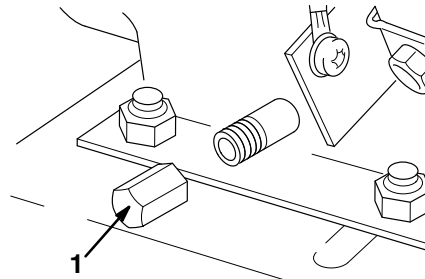
9. Install the dipstick.

## Changing the Engine Oil

Change the oil after the first two hours of operation; thereafter, under normal conditions, change the oil as given in the *Recommended Maintenance Schedule* on page 16. Run the engine just before changing oil because warm oil flows better and carries more contaminants.

1. Pull wire the off of the spark plug and ensure that the wire does not contact the plug.

2. Block up the rear of the snowthrower chassis.
3. Remove the left wheel.
4. Clean the area around oil drain plug (Fig. 18).
5. Slide the oil drain pan below drain extension and remove the oil drain plug (Fig. 18).



m-4070

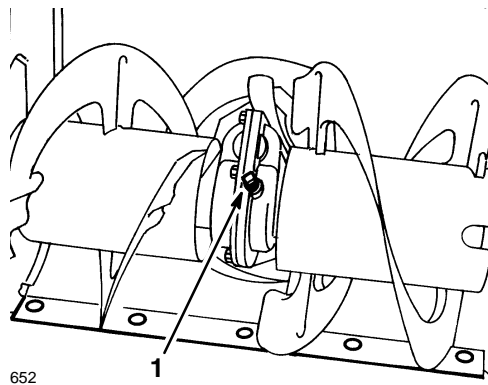
**Figure 18**

1. Drain plug
6. After draining the oil, install the oil drain plug.
7. Install the left wheel.
8. Fill the crankcase with oil. Refer to *Filling the Engine with Oil* on page 10.
9. Wipe up any oil that may have spilled.
10. Dispose of used oil properly. Recycle according to local codes.

## Checking/Adding Auger Gear Box Grease

Check the auger gear box grease as given in the *Recommended Maintenance Schedule* on page 16.

1. Pull the wire the off of the spark plug and ensure that the wire does not contact the plug.
2. Position the snowthrower on a level surface.
3. Clean the area around the pipe plug (Fig. 19).
4. Remove the pipe plug from the gear box (Fig. 19).



**Figure 19**

1. Pipe plug

5. Check the level of grease in the gear box. The grease must be visible through the opening.
6. If the level of grease is low, add *Lubriplate MAG-1* grease (a low temperature, high pressure grease) to the gear box until point of overflow.
7. Install the pipe plug in the gear box.

## Adjusting the Traction Drive

If the speed selector shifts properly but the snowthrower does not drive in the reverse or forward speeds, adjust the traction drive.

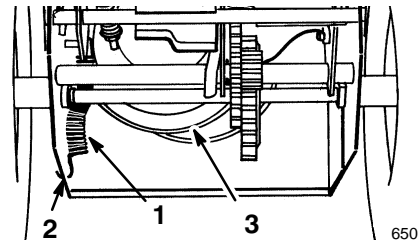
1. Pull the wire off of the spark plug and ensure that the wire does not contact the spark plug.
2. Check and adjust the traction drive as described in steps 5 through 7 of *Installing the Traction Rod* on page 8.
3. If the problem persists after adjusting the linkage, contact your local Authorized Service Dealer.

## Replacing the Traction Drive Belt

When the traction drive belt becomes worn, stretched, oil-soaked, or otherwise damaged, replace the belt. You can obtain a new belt from your Authorized Service Dealer.

1. Pull the wire off of the spark plug and ensure that the wire does not contact the plug.
2. Drain the gasoline from fuel tank. Refer to *Emptying the Fuel Tank* on page 22.
3. Remove the two screws that hold the belt cover in place and set the cover aside (Fig. 21).

4. Remove the auger/impeller drive belt from the engine pulley and the large auger/impeller pulley (Fig. 22).
5. Tip the snowthrower forward and block it so it cannot fall.
6. Remove the four screws that secure the bottom cover to the frame and remove the cover (Fig. 27).
7. Disconnect the spring from the notch in the bottom edge of the side plate (Fig. 20).



**Figure 20**

1. Spring
2. Notch in side plate
3. Large traction pulley

	CAUTION	
<p><b>POTENTIAL HAZARD</b></p> <ul style="list-style-type: none"> <li>• The spring is under heavy tension.</li> </ul> <p><b>WHAT CAN HAPPEN</b></p> <ul style="list-style-type: none"> <li>• The spring could be thrown in operator's or bystander's direction.</li> </ul> <p><b>HOW TO AVOID THE HAZARD</b></p> <ul style="list-style-type: none"> <li>• Use caution when removing the spring.</li> </ul>		

8. Set the snowthrower upright.
9. Loosen the belt guide (Fig. 22).
10. Remove the traction drive belt from the engine pulley and the large traction pulley (Fig. 22).
11. Install a new belt around the large traction pulley.
12. Loop the belt over the engine pulley, ensuring that the belt is on the inside of the belt guide (Fig. 22).
13. Tip the snowthrower forward and block it so that it cannot fall.
14. Hook the spring into the notch in the bottom edge of the side plate (Fig. 20).
15. Replace the bottom cover with the four screws.
16. Set the snowthrower upright.

17. Install the auger/impeller drive belt around the large auger/impeller pulley and engine pulley, ensuring that the belt is on the inside of the idler pulley and belt guide (Fig. 22).
18. Adjust the belt guide so that there is 1/8 in. (0.3 cm) of clearance between the belt and the guide, and secure the belt guide.
19. Whenever the auger/impeller drive belt needs replacement, adjust the auger/impeller drive linkage. Refer to steps 4 through 7 of *Installing the Auger/Impeller Drive Control Linkage* on page 9.
20. Install the belt cover.

## Adjusting the Auger/Impeller Drive Belt

An auger/impeller belt that slips decreases snowthrowing performance and requires either an adjustment or a new belt.

! **DANGER** !

**POTENTIAL HAZARD**

- **Improper adjustment may cause injury if the auger/impeller turns when disengaged.**

**WHAT CAN HAPPEN**

- **The rotating impeller or auger can cut off or injure fingers or hands.**

**HOW TO AVOID THE HAZARD**

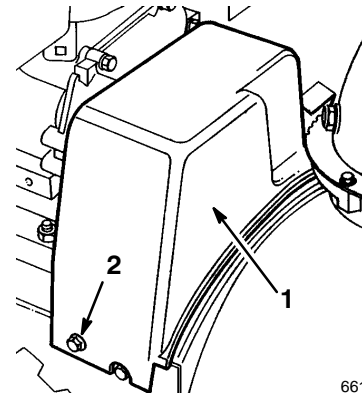
- **Keep your face, hands, feet, and any other part of your body or clothing away from concealed, moving, or rotating parts.**
- **Ensure that the impeller brake arm clearance is maintained.**
- **Do not adjust the auger/impeller drive belt too tight because it may cause the auger/impeller to turn when the control lever is in the disengaged position. If this occurs, decrease belt tension.**

1. Pull wire the off of the spark plug and ensure that the wire does not contact the spark plug.
2. Check and adjust the belt as instructed in steps 4 through 7 of *Installing the Auger/Impeller Drive Control Linkage* on page 9.
3. Push the spark plug wire onto the spark plug and start the engine.
4. Operate the auger/impeller.
5. If belt still slips, replace the belt.

## Replacing the Auger/Impeller Drive Belt

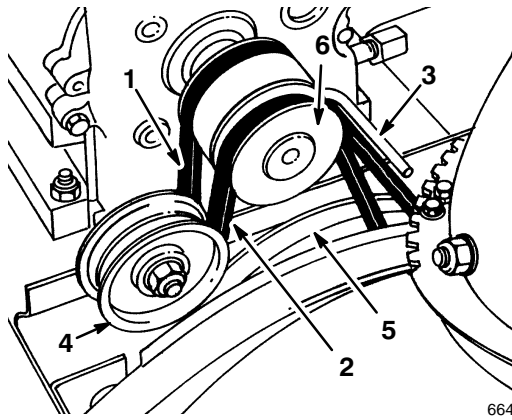
When the auger/impeller drive belt (Fig. 21) becomes worn, stretched, oil-soaked, or otherwise damaged, replace the belt. You can obtain a new belt from your Authorized Service Dealer.

1. Pull the wire off of the spark plug and ensure that the wire does not contact the spark plug.
2. Remove the two screws that hold the belt cover in place and set the cover aside (Fig. 21).



**Figure 21**

1. Belt cover
  2. Screw (2)
- 
3. Loosen the belt guide (Fig. 22).
  4. Remove the auger/impeller drive belt from the engine pulley and the large auger/impeller pulley (Fig. 22).
  5. Install a new belt around the large auger/impeller pulley (Fig. 22).
  6. Loop the belt over the engine pulley, ensuring that the belt is on the inside of the idler pulley and the belt guide (Fig. 22).



**Figure 22**

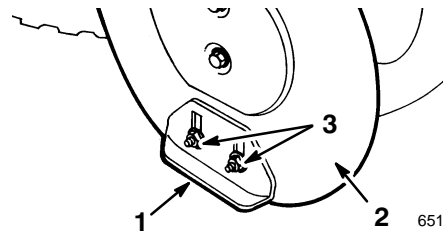
- |                              |                                |
|------------------------------|--------------------------------|
| 1. Traction drive belt       | 5. Large auger/impeller pulley |
| 2. Auger/impeller drive belt | 6. Engine pulley               |
| 3. Belt guide                |                                |
| 4. Idler pulley              |                                |

7. Adjust the belt guide so that there is 1/8 in. (0.3 cm) of clearance between the belt and the guide, and secure the belt guide.
8. Check and adjust the belt as instructed in steps 4 through 7 of *Installing the Auger/Impeller Drive Control Linkage* on page 9.
9. Install the belt cover.

## Adjusting the Skids and the Scraper

### Concrete and Asphalt Surfaces

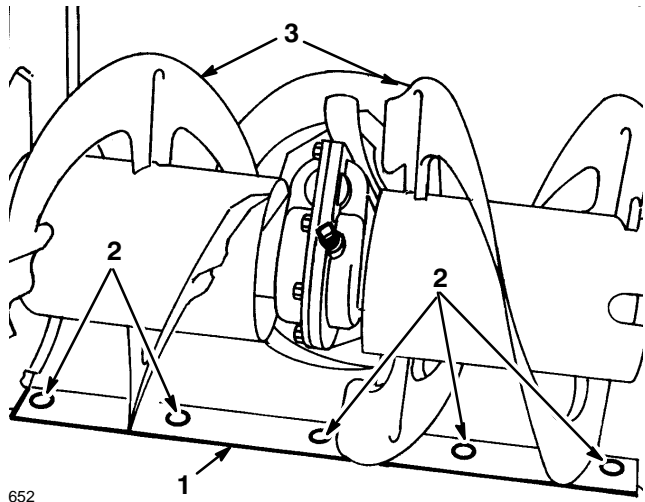
1. Pull the wire off of the spark plug and ensure that the wire does not contact the spark plug.
2. Check the tire pressure in both tires to ensure that they are inflated equally between 7 and 15 psi (48–103 kPa).
3. Move the snowthrower to a level surface.
4. Loosen the four flange nuts that secure both skids to the auger side plates (Fig. 23) until the skids slide up and down easily.



**Figure 23**

- |                     |                |
|---------------------|----------------|
| 1. Skid             | 3. Flange nuts |
| 2. Auger side plate |                |

5. Support the auger blades so that both the scraper and the auger blades (Fig. 24) clear the level surface by 1/8 in. (0.3 cm).



**Figure 24**

- |                    |                 |
|--------------------|-----------------|
| 1. Scraper         | 3. Auger blades |
| 2. Mounting screws |                 |

**Note:** The scraper should be higher above the pavement if the pavement surfaces are cracked, rough, or uneven.

6. Check the scraper adjustment. The scraper should be 1/8 in. (0.3 cm) above and parallel to the level surface.
7. To adjust the scraper, loosen the five screws (Fig. 24), level the blade, and tighten the five screws.
8. Move the skids down to sit flat on the ground and tighten the four flange nuts that secure both skids to the auger side plates (Fig. 23).

### Gravel Surfaces

1. Pull the wire off of the spark plug and ensure that the wire does not contact the spark plug.
2. Loosen the four flange nuts that secure both skids to the auger side plates (Fig. 23).

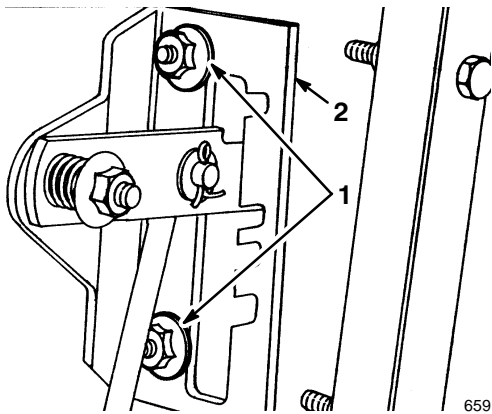
- Slide the skids down as far as possible to support the auger as far from the level surface as the skid adjustment allows.
- Tighten the four flange nuts.

## Adjusting the Speed Selector

If the snowthrower is slow, the No.1 speed selection has no speed, or the speed selector does not move into the No. 3 speed selection, adjust the speed selector linkage.

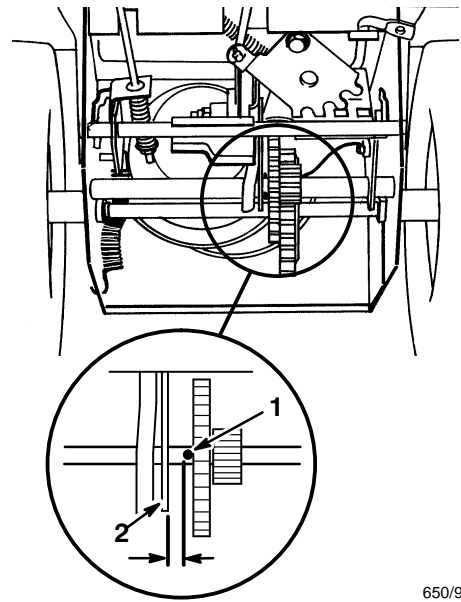
- Pull the wire off of the spark plug and ensure that the wire does not contact the spark plug.
- Tip the snowthrower forward and block it so it cannot fall.
- Remove the four screws that secure the bottom cover to the frame and remove the cover (Fig. 27).
- Loosen the flange nuts that secure the selector plate to the control panel (Fig. 25).
- Shift the speed selector to third gear and push down on the speed selector plate to move the drive assembly to the right.

The drive assembly should be 1/8 in. from the roll pin; if not, slide the selector plate (Fig. 25) until the gap is 1/8 in. (Fig. 26).



**Figure 25**

- Flange nuts
- Speed selector plate



**Figure 26**

- Roll pin
  - Drive assembly
- With the drive assembly 1/8 in. (0.3 cm) from contacting the roll pin, tighten the flange nuts that secure the speed selector plate.
  - Shift the speed selector to the R (reverse) position and back to third gear to check the adjustment.
  - If the space between the roll pin and the drive assembly is more than 3/16 in. (0.48 cm), repeat steps 4 through 7.
  - Install the bottom cover and return the snowthrower to the upright position.

## Lubricating the Snowthrower

Lubricate all moving parts of the snowthrower according to the *Recommended Maintenance Schedule* on page 16.

**IMPORTANT: Do not get oil or grease on the rubber wheel or friction drive plate because the wheel will slip and the rubber may deteriorate.**

- Pull the wire off of the spark plug and ensure that the wire does not contact the spark plug.
- Drain gasoline from the fuel tank. Refer to *Emptying the Fuel Tank* on page 22.
- Tip the snowthrower forward onto the auger/impeller housing and block it so that it cannot fall.
- Remove the four screws that secure the bottom cover and remove the cover (Fig. 27).

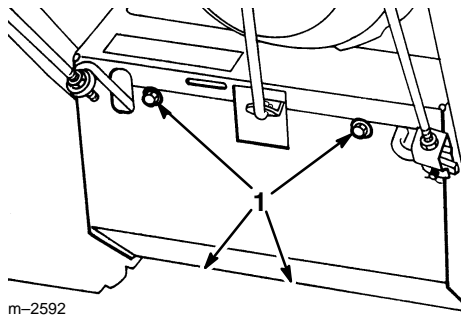


Figure 27

1. Screws

5. Lightly lubricate the snowthrower with light oil as shown in Figure 28

**IMPORTANT: Do not over oil the snowthrower; extra oil may enter the traction drive and cause the traction drive belt to slip.**

6. Grease the snowthrower as shown in Figure 28.

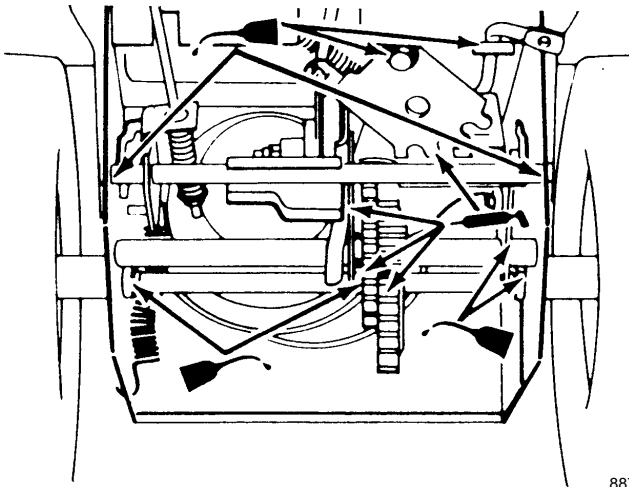


Figure 28

7. Wipe up any excess oil or grease.
8. Install the bottom cover with the four screws.
9. Return the snowthrower to its upright position.

## Replacing the Spark Plug

Check the spark plug periodically as given in the *Recommended Maintenance Schedule* on page 16. If the electrodes in the center of the plug are dark or have deteriorated, install a new Champion RJ-19LM spark plug or equivalent.

1. Clean the area around the spark plug.

2. Pull the wire off of the spark plug (Fig. 29) and remove the plug from the cylinder head.

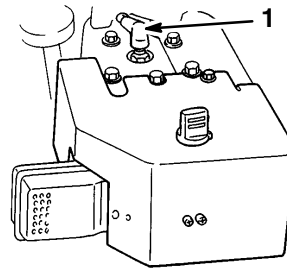


Figure 29

1. Spark plug wire

**IMPORTANT: Replace a cracked, fouled or dirty spark plug. Do not sand blast, scrape or clean electrodes because grit may release from the plug and fall into the cylinder and cause engine damage.**

3. Set the air gap between the electrodes of the spark plug at 0.030 in. (0.76 mm) (Fig. 30).

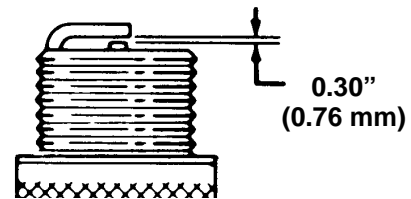


Figure 30

4. Install the spark plug in the cylinder head.
5. Torque the plug to 15 ft-lb (20.4 N·m).
6. Push the wire onto the spark plug (Fig. 29).

## Emptying the Fuel Tank

1. Close the fuel shut-off valve located under the fuel tank (Fig. 31) by rotating valve to the left.

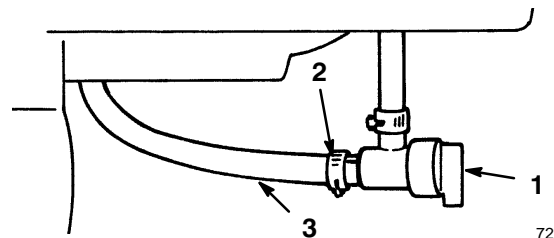


Figure 31

1. Fuel shut-off valve
2. Hose clamp
3. Fuel line



## WARNING



### POTENTIAL HAZARD

- Gasoline is highly flammable.

### WHAT CAN HAPPEN

- Gasoline can be ignited and cause serious personal injury.

### HOW TO AVOID THE HAZARD

- Drain gasoline outdoors.
- Drain gasoline from a cold engine only.
- Wipe up any gasoline that may have spilled.
- Do not drain gasoline near any open flame or where gasoline fumes may be ignited by a spark.
- Do not smoke a cigar, cigarette or pipe when handling gasoline.

2. Place a clean drain pan under the shut-off valve.
3. Loosen the hose clamp that secures the fuel line to the valve and slide the line off of the valve (Fig. 31).
4. Open the valve by rotating it to the right. This allows the fuel to flow into the drain pan.
5. Install the fuel line and secure it with the hose clamp.

## Storage

### Preparing the Fuel System

1. Add stabilizer/conditioner to the fuel tank (one ounce per gallon of fuel).
2. Run the engine for ten minutes to distribute conditioned fuel through the fuel system.
3. Stop the engine, allow it to cool, and drain the fuel tank or run the engine until it stops.
4. Start the engine and run it until it stops.
5. Choke or prime the engine, start it a third time, and run the engine until it will not restart.
6. Dispose of fuel properly. Recycle according to local codes.

**Note:** Do not store stabilized gasoline over 90 days.

### Preparing the Engine

7. Remove the spark plug from the cylinder head.
8. Pour two teaspoons of oil into the spark plug hole.
9. Install the spark plug, but do not install the wire on the plug.

10. Pull the recoil starter slowly to distribute oil on the inside of the cylinder.
11. Change the engine oil. Refer to *Changing the Engine Oil* on page 17.

## Preparing the Snowthrower

12. Lubricate the snowthrower. Refer to *Lubricating the Snowthrower* on page 21.
13. Clean the snowthrower.
14. Touch up chipped surfaces with paint.

Paint is available from your Authorized Service Dealer. Sand the affected areas before painting, and use a rust preventative to prevent the metal parts from rusting.

15. Tighten all screws and nuts.
16. If any part is damaged, repair or replace it.
17. Cover the snowthrower and store it in a clean, dry place out of the reach of children. Allow the engine to cool before storing it in any enclosure.



## WARNING



### POTENTIAL HAZARD

- Gasoline fumes are highly flammable, explosive, and dangerous if inhaled.

### WHAT CAN HAPPEN

- If the product is stored in an area with an open flame, the gasoline fumes may be ignited, causing an explosion.

### HOW TO AVOID THE HAZARD

- Do not store the snowthrower in a house (living area), basement, or any other area where ignition sources may be present, such as hot water and space heaters, clothes dryers, furnaces, and other like appliances.

## Accessories

You can obtain the following snowthrower accessories from your Authorized Service Dealer:

- Tire chain kit
- Drift breaker
- Snow cab



Gas Powered  
Snow  
Products

## The Toro Total Coverage Guarantee

A Full Two-Year Warranty  
(Limited Warranty for Commercial Use)

### What Is Covered By This Express Warranty?

The Toro Company promises to repair any Toro Product used for normal residential purposes\* if defective in materials or workmanship for a period of two years from the date of purchase. For single stage snowthrowers, the cost of parts and labor is included, but the customer pays the transportation costs.

Transportation within a 15 mile radius of the servicing dealer is covered under this warranty for two-stage snowthrowers.

### What Products Are Covered By This Warranty?

This warranty applies to all gasoline powered snow products.

### How About Commercial Use?

Toro Consumer Products used for commercial, institutional or rental use are covered by a limited warranty for 45 days from the date of purchase.

### How Do You Get Warranty Service?

Should you feel your Toro Product contains a defect in material or workmanship, contact the dealer who sold you the product or any Authorized Toro Service Dealer or Toro Master Service Dealer. The Yellow Pages of your telephone directory is a good reference source. The dealer will either arrange service at his/her dealership or recommend another Authorized Service Dealer who may be more convenient. You may need proof of purchase (copy of registration card, sales receipt, etc.) for warranty validation.

If for any reason you are dissatisfied with the Service Dealer's analysis of the defect in materials or workmanship or if you need a referral to a Toro Service Dealer, please feel free to contact us at the following address:

Toro Customer Service Department  
8111 Lyndale Avenue South  
Bloomington, MN 55420-1196  
612-888-8801  
800-348-2424

### What Must You Do To Keep The Warranty In Effect?

You must maintain your Toro Product by following the maintenance procedures described in the operator's manual. Such routine maintenance, whether performed by a dealer or by you, is at your expense.

### What Does This Warranty Not Cover? and

### How Does Your State Law Relate To This Warranty?

There is no other express warranty except for special emission system coverage on some products and the Toro Starting Guarantee on GTS Engines. This express warranty does not cover:

- Cost of regular maintenance service or parts, such as filters, fuel, lubricants, tune-up parts, blade sharpening, brake and clutch adjustments.
- Any product or part which has been altered or misused or required replacement or repair due to normal wear, accidents, or lack of proper maintenance.
- Repairs necessary due to improper fuel, contaminants in the fuel system, or failure to properly prepare the fuel system prior to any period of non-use over three months.
- Pickup and delivery charges for distances beyond a 15 mile radius from an Authorized Toro Service Dealer (covered products only).

All repairs covered by this warranty must be performed by an Authorized Toro Service Dealer using Toro approved replacement parts.

Repair by an Authorized Toro Service Dealer is your sole remedy under this warranty.

**The Toro Company is not liable for indirect, incidental or consequential damages in connection with the use of the Toro Products covered by this warranty, including any cost or expense of providing substitute equipment or service during reasonable periods of malfunction or non-use pending completion of repairs under this warranty. Some states do not allow exclusions of incidental or consequential damages, so the above exclusion may not apply to you.**

**This warranty gives you specific legal rights, and you may also have other rights which vary from state to state.**

- \* Normal residential purposes means removing snow on the same lot as your home. Use at more than one location is considered commercial use and the commercial use warranty would apply.

### Countries Other than the United States or Canada

Customers who have purchased Toro Products exported from the United States or Canada should contact their Toro Distributor (Dealer) to obtain guarantee policies for your country, province, or state. If for any reason you are dissatisfied with your Distributor's service or have difficulty obtaining guarantee information, contact the Toro importer. If all other remedies fail, you may contact us at The Toro Company.