



**Count on it.**

**Parts Catalog**

**Workman® MDX**

**Utility Vehicle**

Model No. 07235TC—Serial No. 405410001 and Up



# Ordering Replacement Parts

To order replacement parts, please supply the part number, the quantity, and the description of each part desired.

## Understanding Reference Numbers

Each identified part in an illustration has a reference number. The reference number for a part also appears in the parts list, along with other information about the part.

This catalog uses two special reference number formats, one to indicate parts in a service assembly and another to indicate the quantity of a given part in an illustration.

## Service Assembly Reference Numbers

Parts in service assemblies have reference numbers in the form a:b. The a represents the reference number of the entire service assembly and the b represents a sequential number unique to each part within the service assembly.

For example, a wheel assembly might be identified by reference number 6, the tire by 6:1, the valve by 6:2, and the wheel by 6:3. When you order the assembly identified by reference number 6, you receive all parts identified by reference numbers 6:1, 6:2, and 6:3. However, you may also order any part individually. Reference numbers of this type appear in illustration and in parts lists.

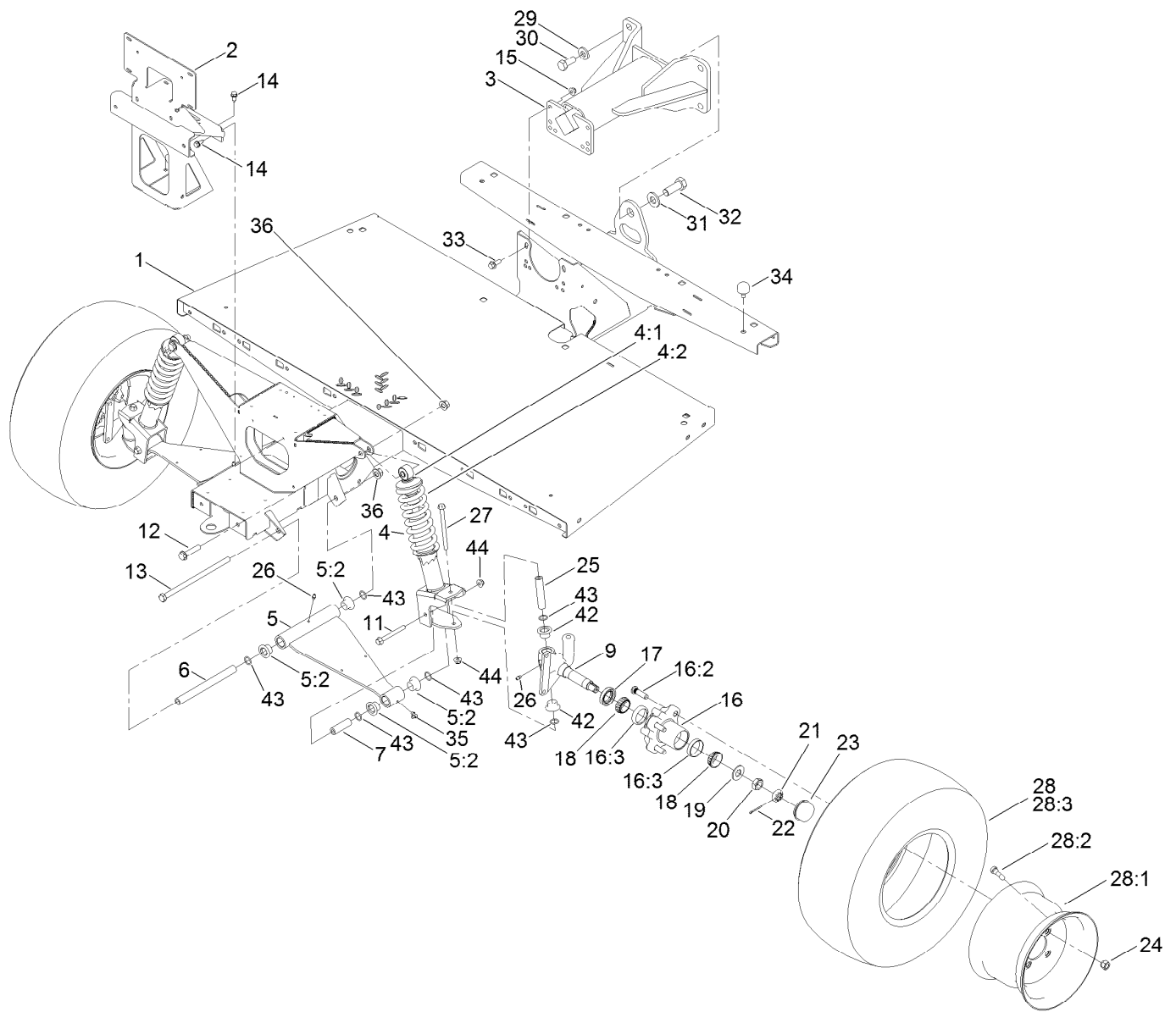
## Reference Numbers Indicating Quantity

In an illustration, if a reference number indicates more than one part, the reference number has the form nX y. The n represents the quantity of the part, the X is the multiplication symbol, and the y represents the reference number.

For example, in an illustration, the reference number 2X 37 means that two of the parts identified by reference number 37 are indicated.

# Contents

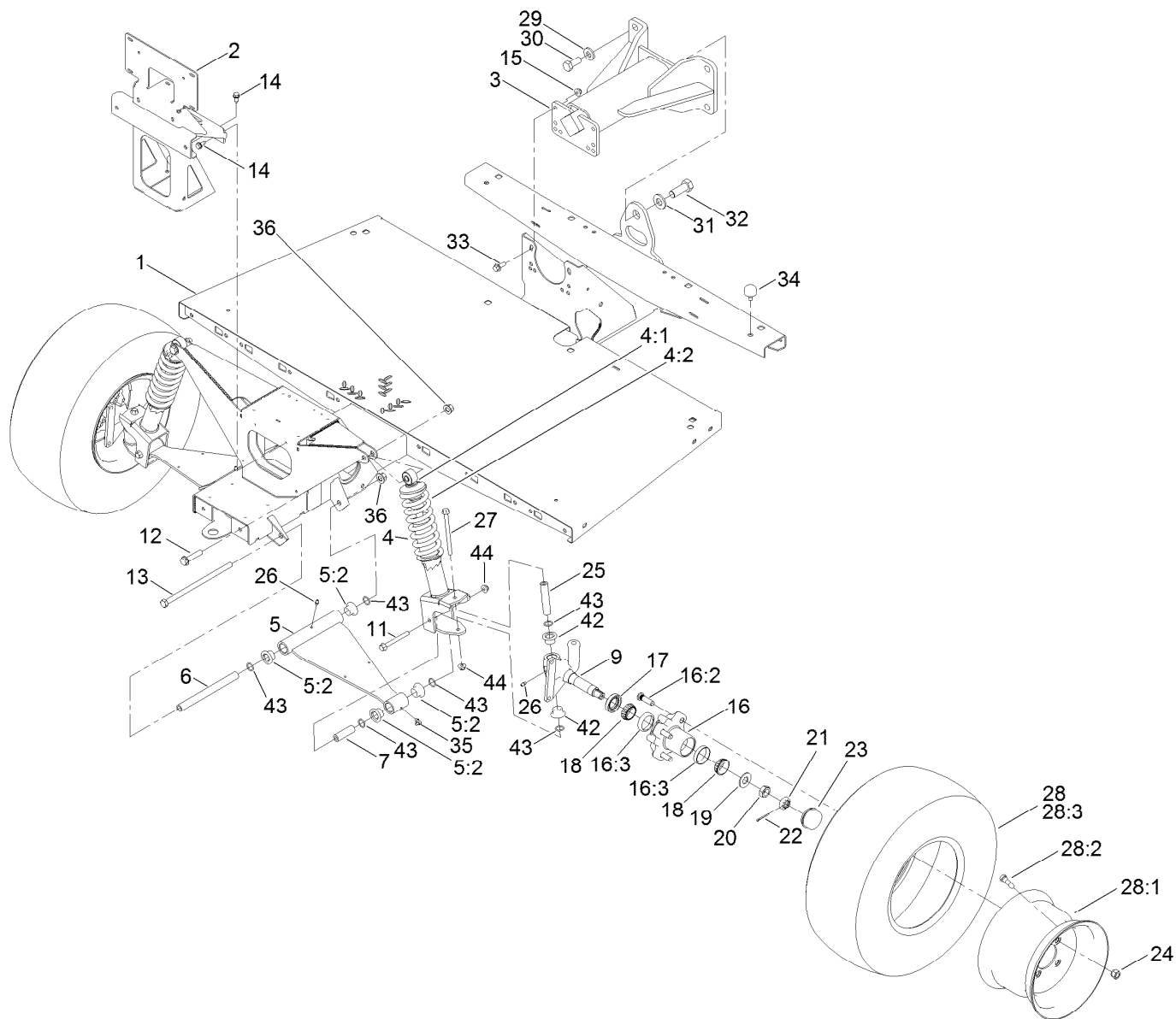
Front Frame and Suspension Assembly	4
Rear Frame and Suspension Assembly	6
Front Brake Assembly	7
Master Cylinder Assembly No. 104-6782	8
Brake Caliper Assembly No. 127-7424	9
Rear Brake Assembly	10
RH Rear Brake Assembly No. 114-8331	11
LH Rear Brake Assembly No. 114-8332	12
Steering Assembly	13
Pedal Assembly	14
Shifter Assembly	15
Hood and Fender Assembly	16
Dash Assembly	17
Control Panel Assembly	18
Seatbase Assembly	19
Cargo Bed Assembly	20
Cargo Bed and Tailgate Service Assembly No. 133-0560	21
Engine, Clutch and Air Cleaner Assembly	22
Primary Clutch Assembly No. 138-0094	24
Air Cleaner Assembly No. 99-7120	25
Battery Assembly	26
Electrical Assembly	27
Starter Generator Assembly No. 131-8444	28
Fuel Tank Assembly	29
Rear Axle Drive System Assembly	30
Secondary Clutch Assembly No. 136-6289	31
Transaxle Assembly No. 119-0760	32
Attachments and Accessories	34



## Front Frame and Suspension Assembly

Ref.	Part Number	Qty.	Description	Ref.	Part Number	Qty.	Description
1	132-6735-03	1	Frame-Front	16:2	10-6830	4	Stud-Type, Drive
2	132-6736-03	1	Support-Bumper	16:3	254-72	2	Bearing-Cup, Tapered
3	99-7700	1	Yoke-Pivot	17	112-1690	2	Seal-Oil
4	132-6791	2	Strut ASM	18	254-94	4	Bearing-Cone, Tapered
4:1	133-0556	1	Spring-Coil	19	93-0309	2	Washer-Tab
4:2	131-8574	1	Isolator-Shock	20	3220-7	2	Nut-Jam
5	138-3583	2	Control Arm ASM	21	93-0307	2	Nut-Lock, Retainer
5:2	133-0643	4	Bushing-Flange, O-Ring	22	3272-12	2	Pin-Cotter
6	133-0595	2	Sleeve-Control Arm, Inner	23	241-119	2	Cap-Dust
7	131-8583	2	Sleeve-Control Arm, Outer	24	242-50	8	Nut-Lug
9	127-8825-03	1	Spindle-LH	25	131-8582	2	Sleeve-Kingpin
10	127-8826-03	1	Spindle-RH ●	26	302-5	4	Fitting-Grease
11	139-3370	2	Screw-HF	27	139-3350	2	Screw-HF
12	3234-46	2	Screw-HHF	28	133-0579	2	Wheel And Tire ASM
13	325-39	2	Screw-HH	28:1	133-0590	1	Wheel
14	32144-70	6	Screw-HWHTF	28:2	127-7435	1	Tire
15	104-8301	4	Nut-HF, NI	28:3	232-27	1	Stem-Valve
16	127-8851	2	Front Hub ASM	29	99-7667	4	Washer-Flat

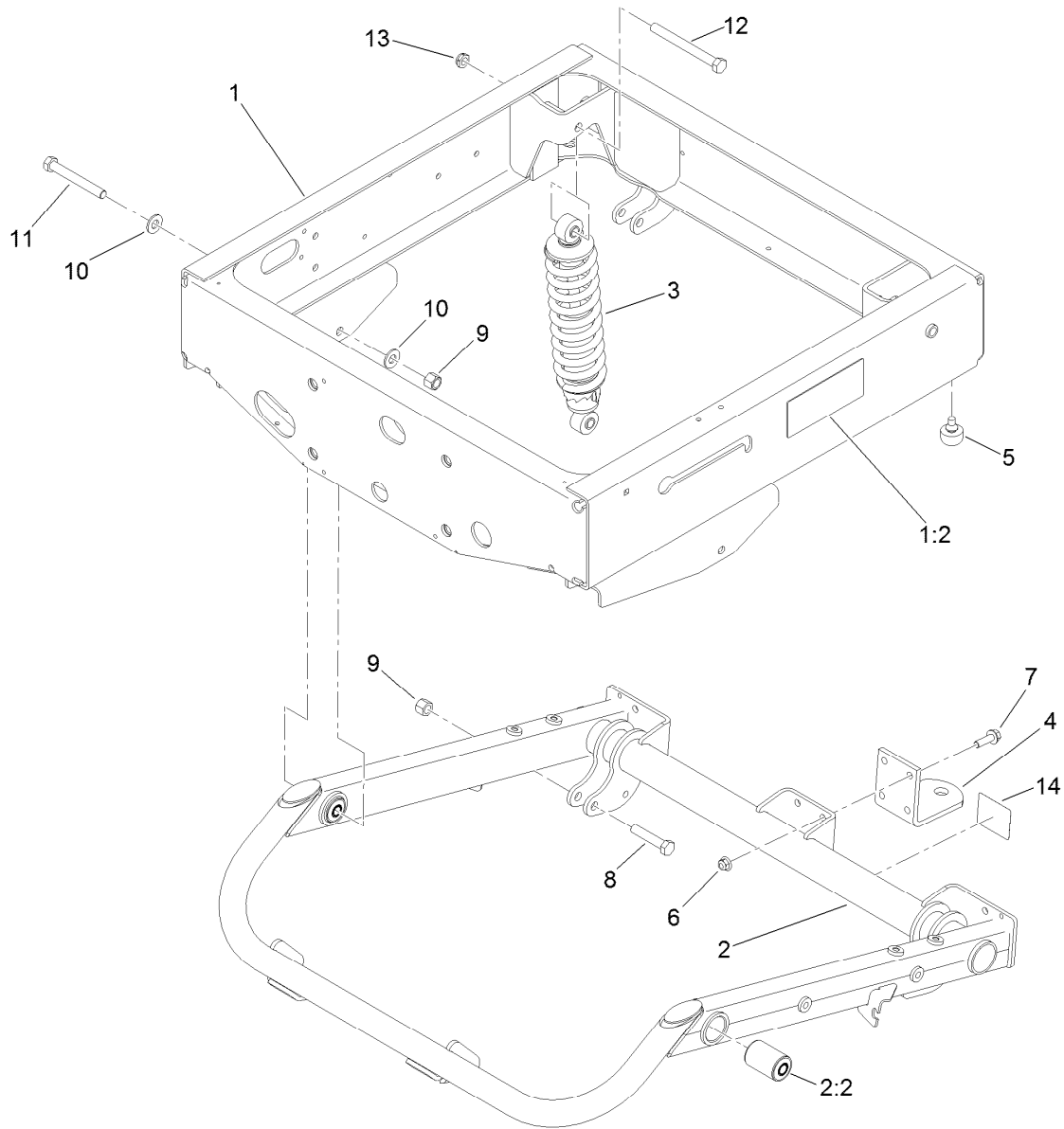
● Not illustrated



## Front Frame and Suspension Assembly (continued)

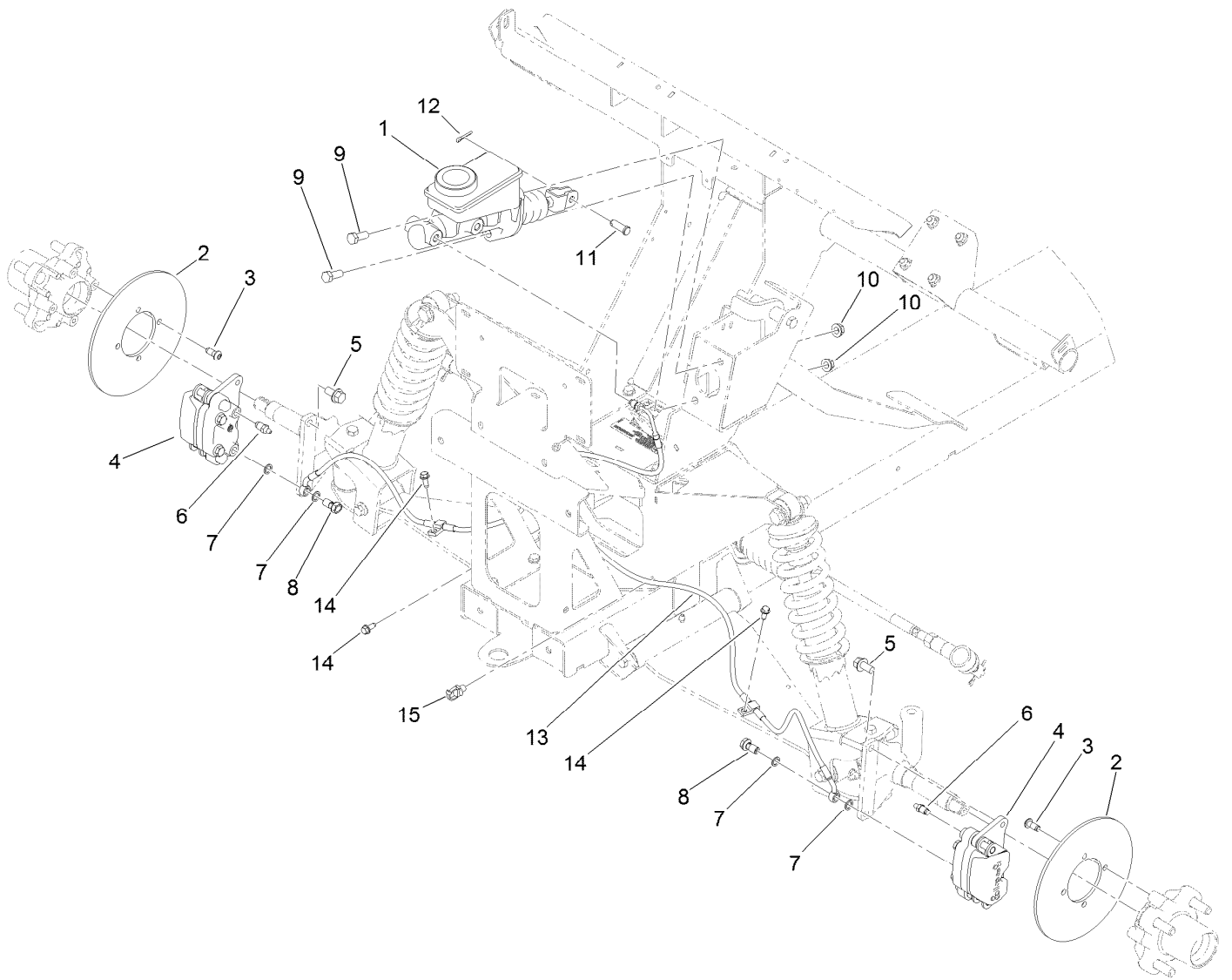
Ref.	Part Number	Qty.	Description	Ref.	Part Number	Qty.	Description
30	327-4	4	Screw-HH	35	302-60	2	Fitting-Grease
31	87-3060	1	Washer-Hardened	36	99-5107	4	Nut-Lock
32	328-24	1	Screw-HH	42	133-0643	4	Bushing-Flange, O-Ring
33	3234-11	4	Screw-HHF	43	237-54	12	O-Ring
34	87-2440	1	Bumper-Rubber	44	139-3380	4	Nut-HF

● Not illustrated



## Rear Frame and Suspension Assembly

<i>Ref.</i>	<i>Part Number</i>	<i>Qty.</i>	<i>Description</i>	<i>Ref.</i>	<i>Part Number</i>	<i>Qty.</i>	<i>Description</i>
1	133-0610	1	Frame-Rear	7	3234-24	4	Screw-HHF
1:2	99-7345	2	Decal-Warning	8	325-10	2	Screw-HH
2	115-7614	1	Swing Arm ASM	9	3296-23	4	Nut-Lock, NI
2:2	112-3377	2	Bushing-Arm, Control	10	87-7270	4	Washer-Thrust
3	133-0553	2	Shock And Spring ASM	11	325-17	2	Screw-HH
4	99-7654-03	1	Hitch-Duty, Light	12	325-19	2	Screw-HH
5	87-2440	2	Bumper-Rubber	13	3296-45	2	Nut-Hex
6	104-8301	4	Nut-HF, NI	14	136-1164	1	Decal-Load, Towing



## Front Brake Assembly

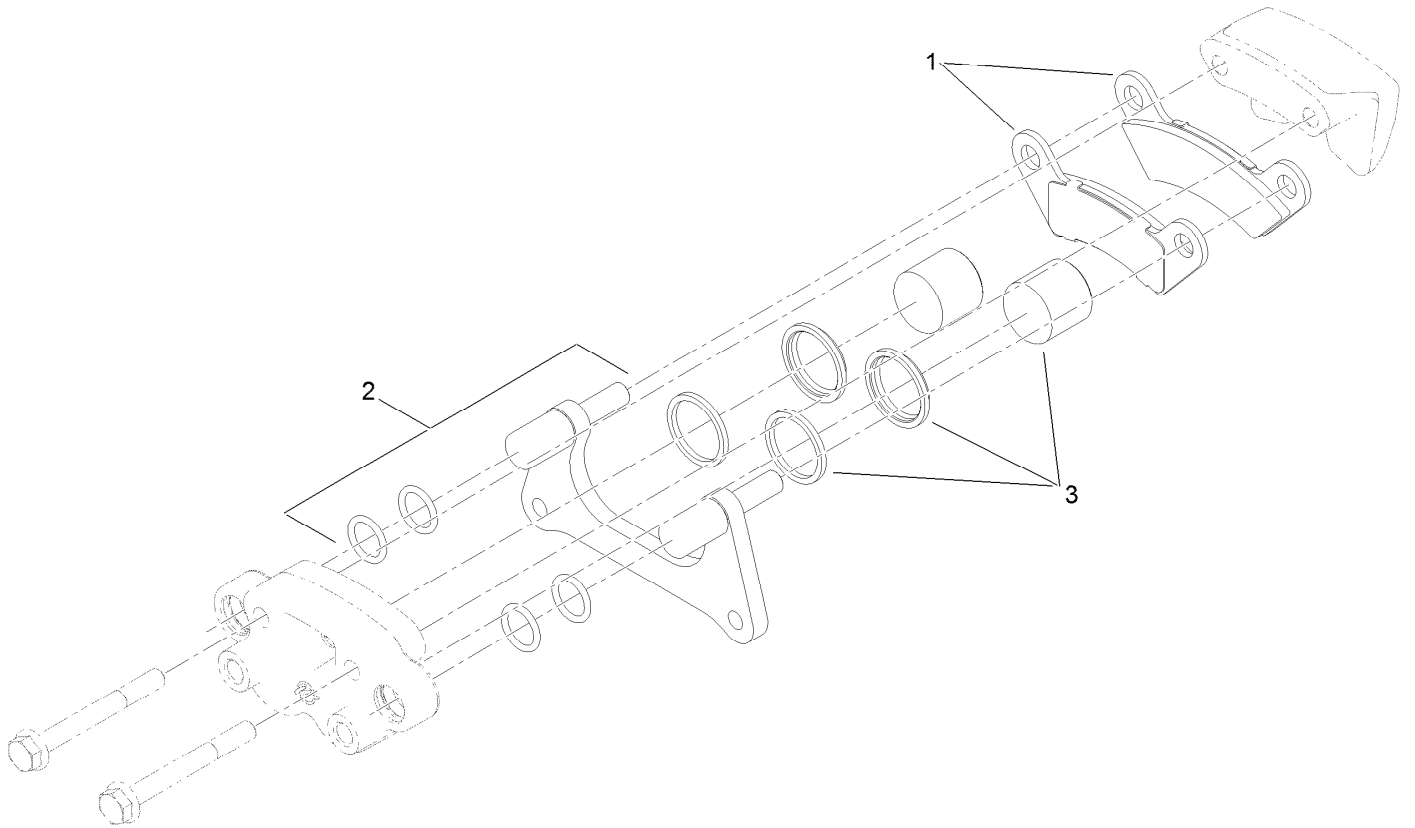
Ref.	Part Number	Qty.	Description
1	104-6782	1	Master Cylinder ASM
2	136-6295	2	Rotor-Brake
3	121-9671	8	Screw-HSBH
4	127-7424	2	Brake Caliper ASM
5	3234-1	4	Screw-HHF
6	119-9509	2	Screw-Bleed
7	115-2341	4	Washer-Banjo
8	120-4875	2	Bolt-Flange, Banjo
9	323-6	2	Screw-HH
10	3290-357	2	Nut-HHF, Whiz
11	283-2	1	Pin-Clevis
12	3272-10	1	Pin-Cotter
13	132-6793	1	Line-Brake, Front
14	32144-10	3	Screw-HWH
15	32180-030	1	Clip-Tie



## Master Cylinder Assembly No. 104-6782

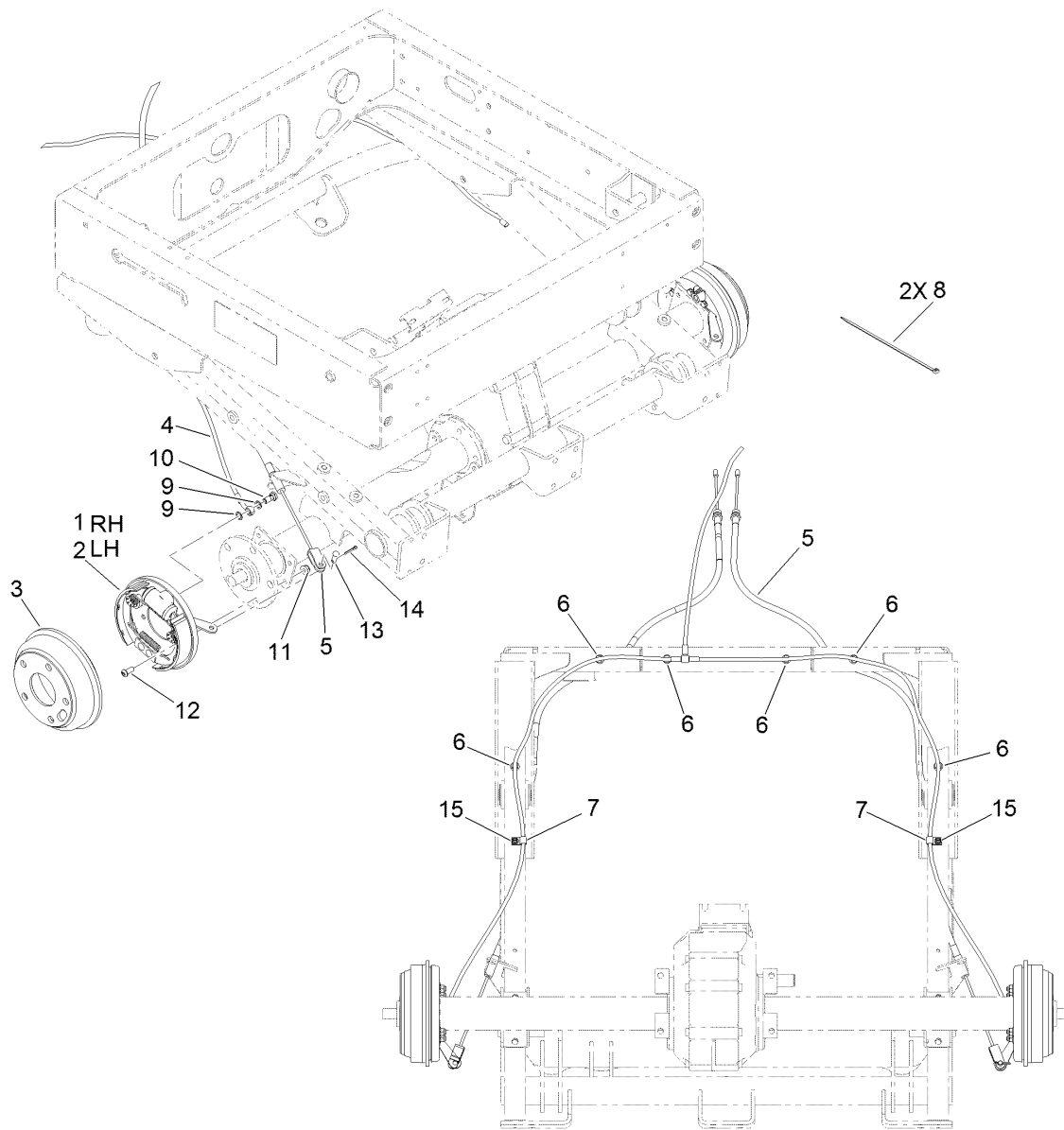
Ref.	Part Number	Qty.	Description
1	104-6845	1	Reservoir ASM
1:1	92-4112	1	Cap ASM
2	93-8971	2	Seal-Port, Flange
3	92-4103	1	Pin-Stop
4	92-4102	1	Secondary Piston ASM
5	92-4110	1	Clevis
6	21-0360	1	Nut-Hex
7	94-5209	1	Cover-Dust
8	94-5210	1	Rod-Push
9	92-4109	1	Ring-Snap
10	92-4108	1	Retainer-Washer
11	92-4101	1	Primary Piston ASM





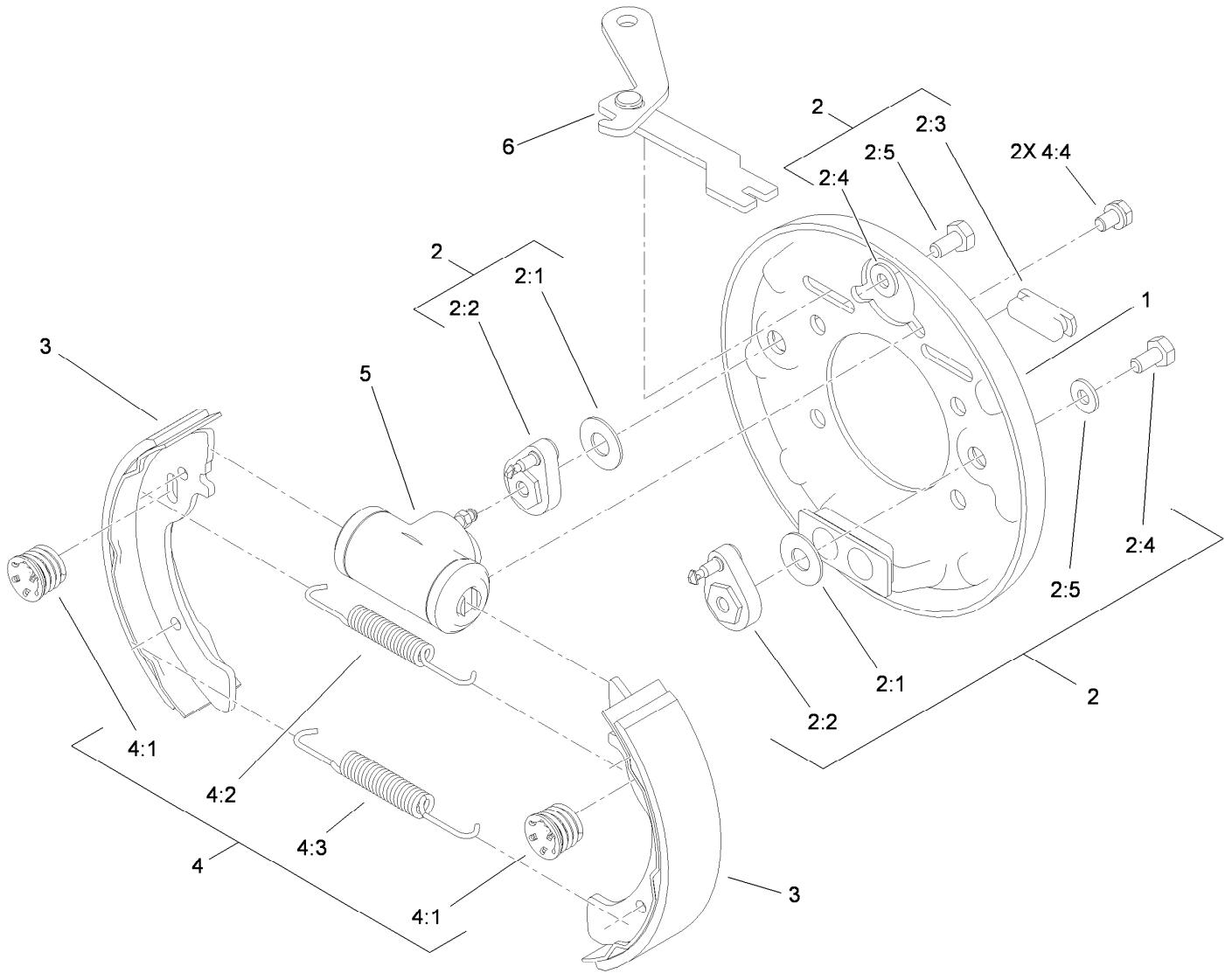
## Brake Caliper Assembly No. 127-7424

<i>Ref.</i>	<i>Part Number</i>	<i>Qty.</i>	<i>Description</i>
1	119-9510	1	Pads-Brake
2	119-9511	1	Bracket Kit
3	133-0614	1	Piston Kit



## Rear Brake Assembly

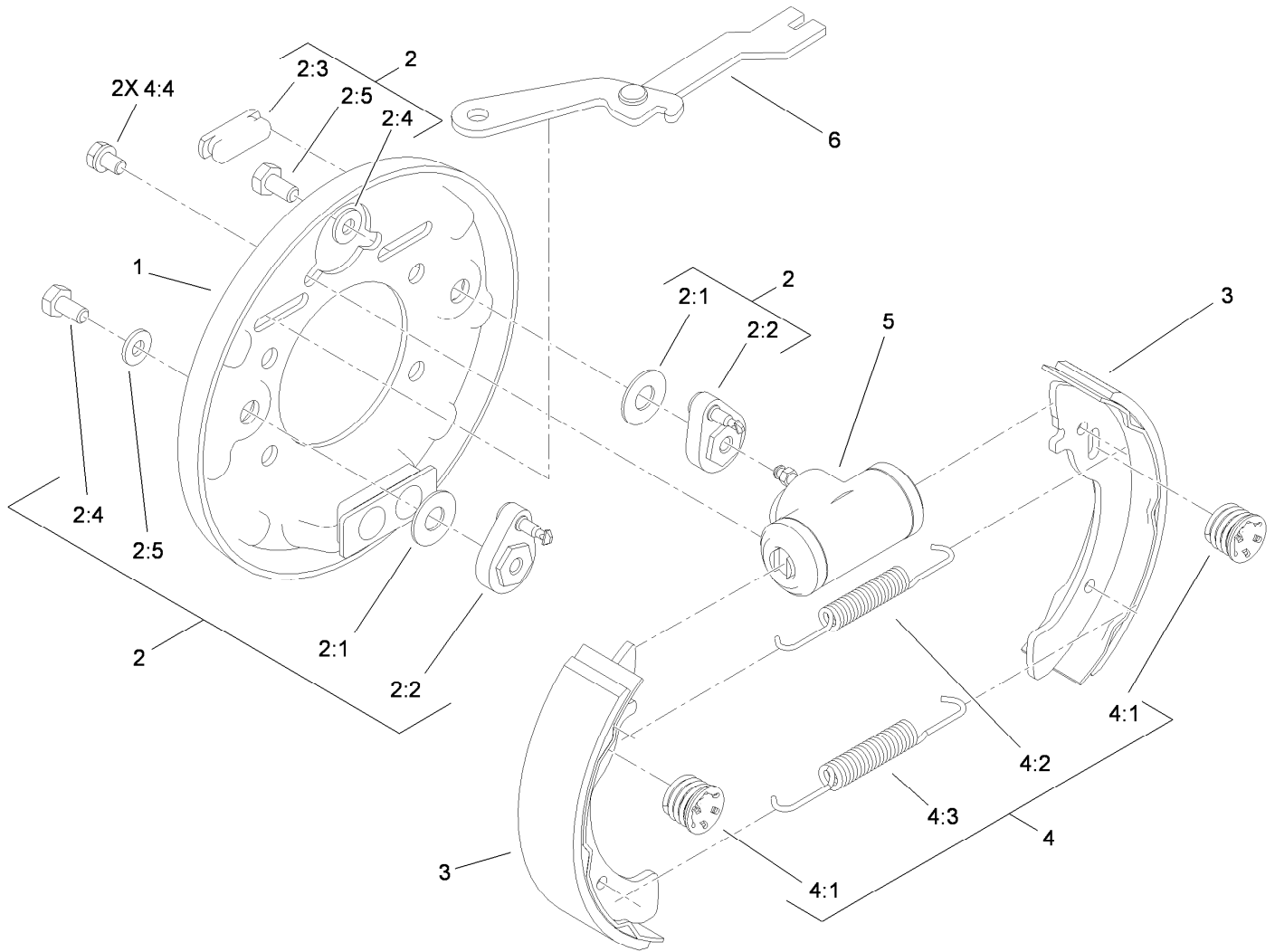
Ref.	Part Number	Qty.	Description
1	114-8331	1	RH Brake ASM
2	114-8332	1	LH Brake ASM
3	104-6500	2	Drum-Brake
4	112-2926	1	Rear Brake Line ASM
5	127-8684	2	Cable-Brake, Adjustable
6	32180-030	6	Clip-Tie
7	2412-89	2	Clamp-R
8	3290-378	2	Tie-Cable
9	115-2341	4	Washer-Banjo
10	115-2340	2	Bolt-Banjo
11	104-8300	8	Nut-HF, NI
12	3274-55	8	Screw-HSBH
13	283-62	2	Pin-Clevis
14	3272-10	2	Pin-Cotter
15	32104-17	2	Screw-HWH



## RH Rear Brake Assembly No. 114-8331

Ref.	Part Number	Qty.	Description
1	100-8586	1	Backing Plate ASM
2	104-6820	1	Adjuster Kit
2:1	100-8585	2	Washer-Bellville
2:2	100-8588	2	Adjuster Lever ASM
2:3	100-8584	2	Cover-Dust
2:4		2	Washer ●
2:5		2	Bolt ●
3	104-6818	4	Shoe And Lining Kit
4	104-6819	1	Hardware Kit
4:1	100-8583	2	Shoe Hold Down Spring ASM
4:2	100-8581	2	Spring-Upper
4:3	100-8582	2	Spring-Lower
4:4		2	Bolt And Washer ●
5	114-8333	1	Wheel Cylinder ASM
6	104-6826	1	RH Park Brake Lever ASM

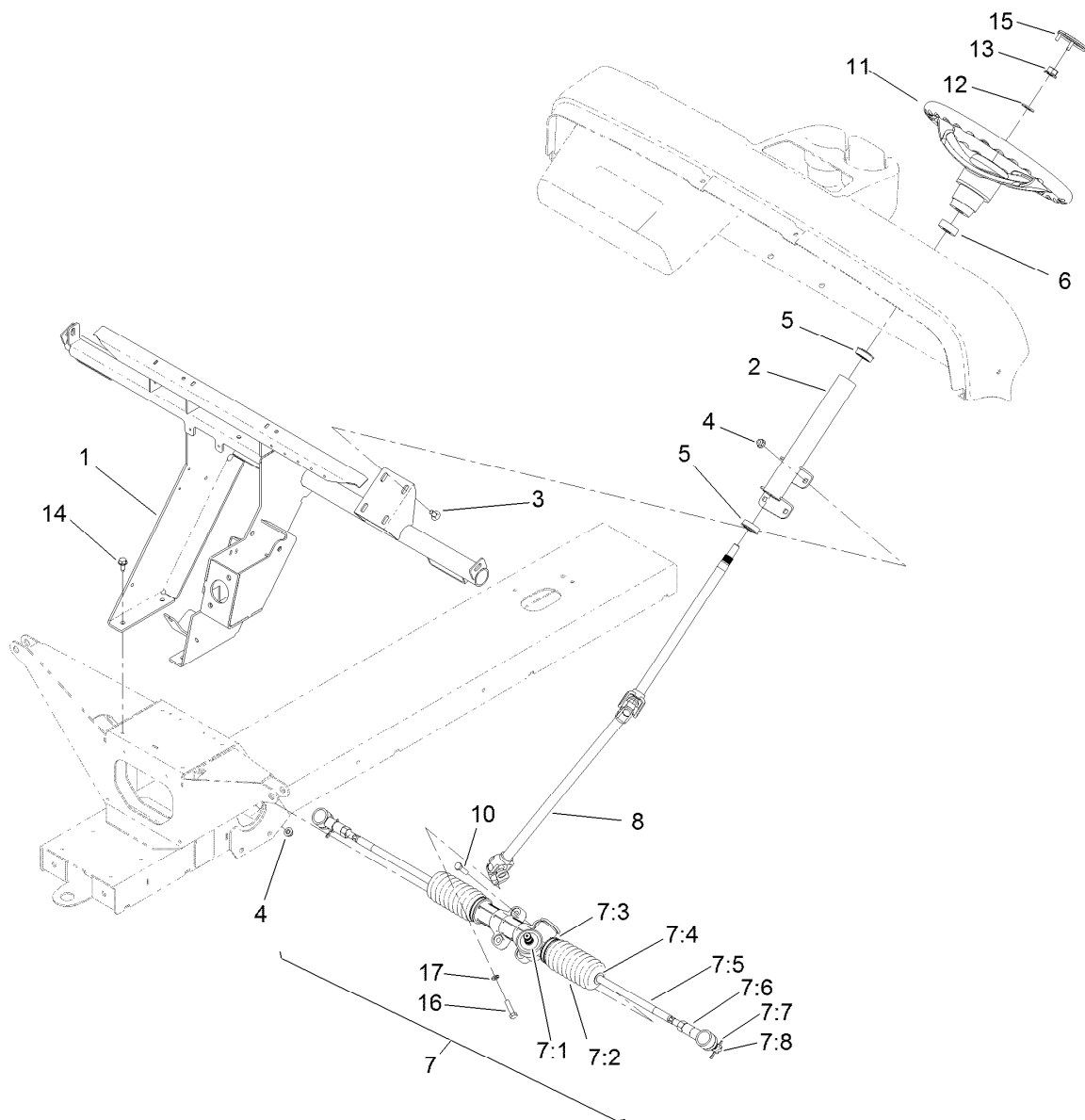
● Not serviced separately



## LH Rear Brake Assembly No. 114-8332

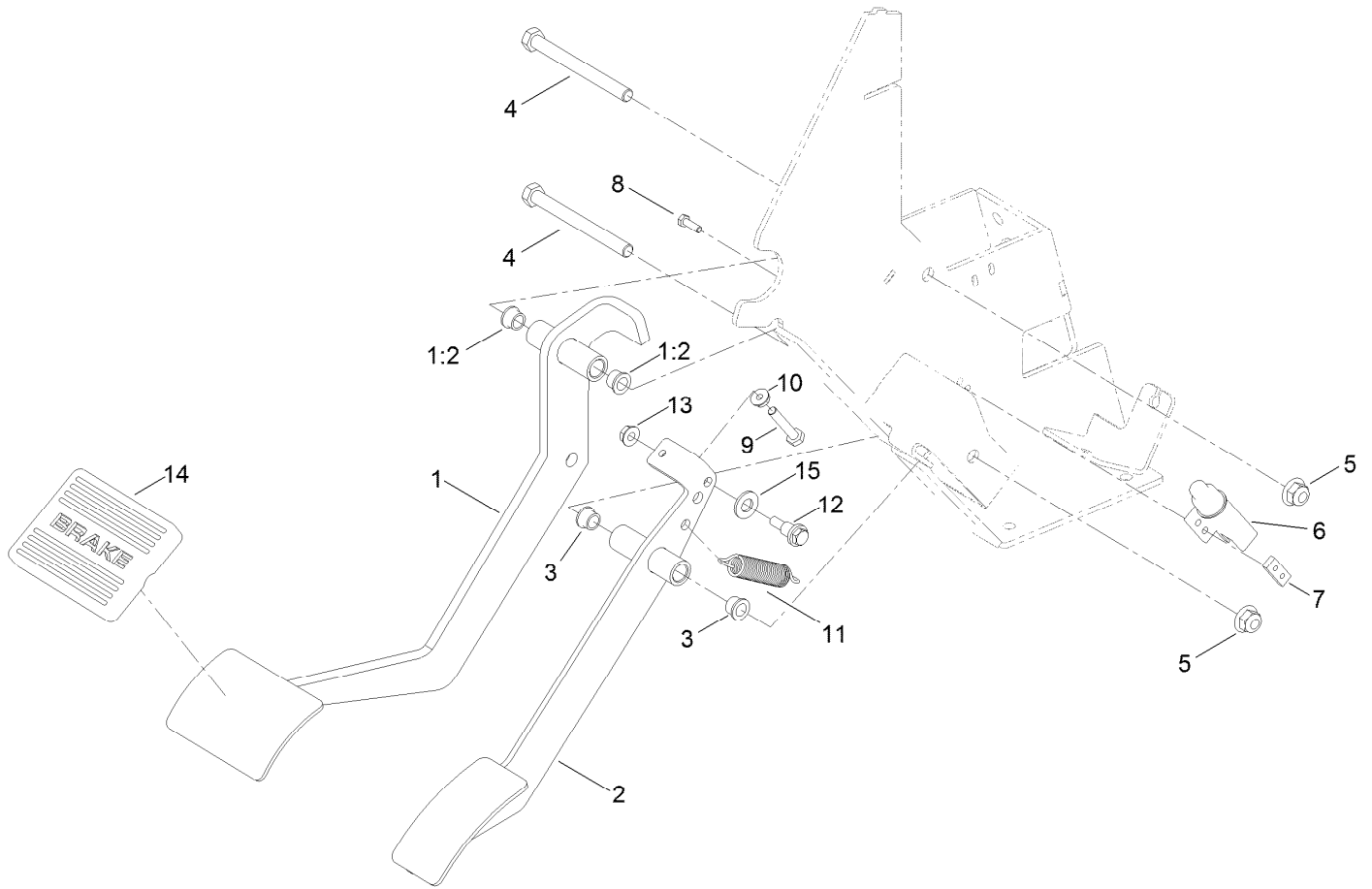
Ref.	Part Number	Qty.	Description
1	100-8586	1	Backing Plate ASM
2	104-6820	1	Adjuster Kit
2:1	100-8585	2	Washer-Bellville
2:2	100-8588	2	Adjuster Lever ASM
2:3	100-8584	2	Cover-Dust
2:4		2	Washer ●
2:5		2	Bolt ●
3	104-6818	4	Shoe And Lining Kit
4	104-6819	1	Hardware Kit
4:1	100-8583	2	Shoe Hold Down Spring ASM
4:2	100-8581	2	Spring-Upper
4:3	100-8582	2	Spring-Lower
4:4		2	Bolt And Washer ●
5	114-8333	1	Wheel Cylinder ASM
6	104-6825	1	LH Park Brake Lever ASM

● Not serviced separately



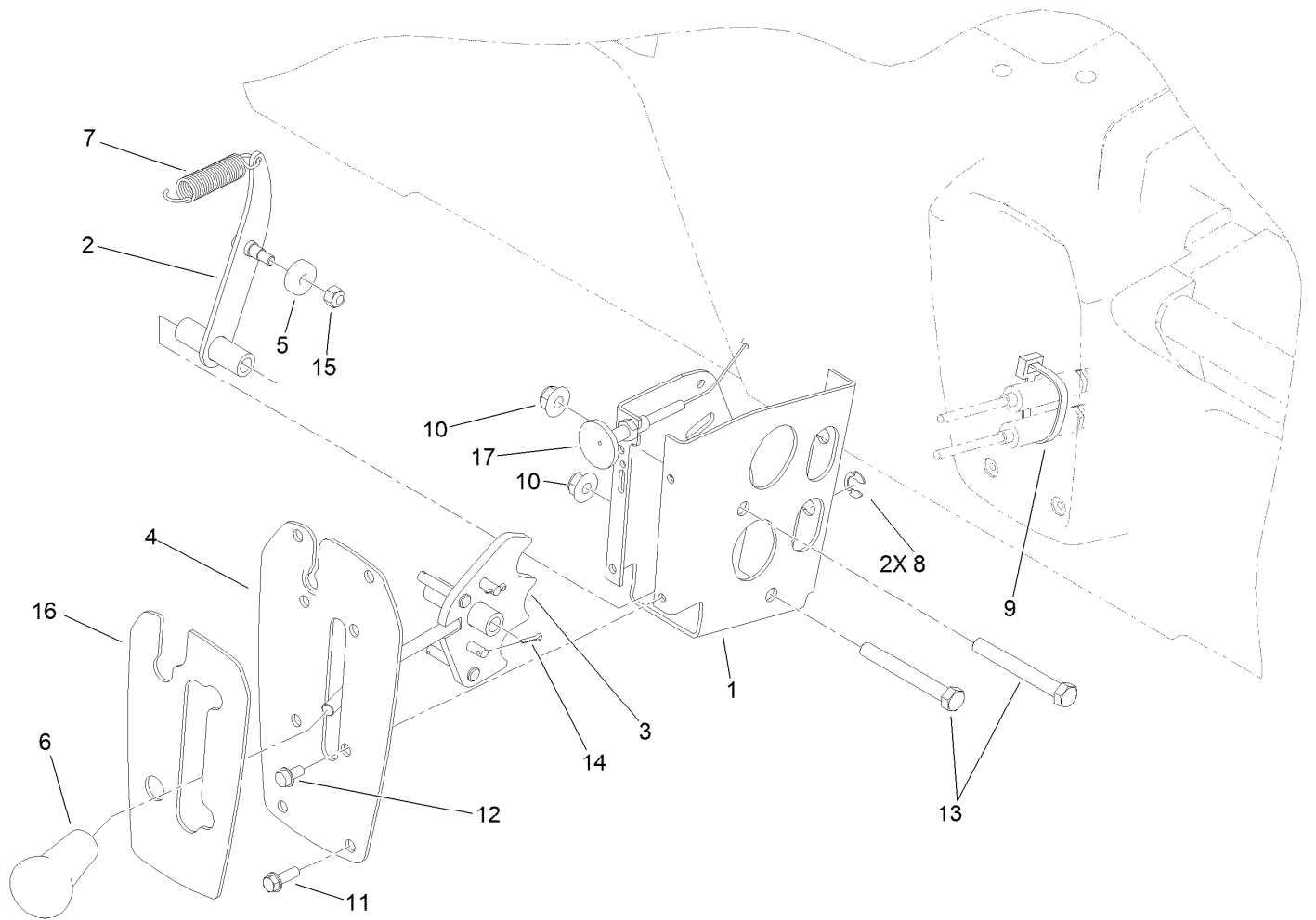
## Steering Assembly

<i>Ref.</i>	<i>Part Number</i>	<i>Qty.</i>	<i>Description</i>	<i>Ref.</i>	<i>Part Number</i>	<i>Qty.</i>	<i>Description</i>
1	132-6740-03	1	Support-Dash	7:6	133-0602	2	End-Rod, Track
2	132-6760-03	1	Column-Steering	7:7	3272-42	2	Pin-Cotter
3	3230-1	4	Bolt-CARR	7:8	137-9891	2	Nut-Slotted, Ball Joint
4	104-8300	8	Nut-HF, NI	8	132-6763	1	Shaft-Steering
5	112-3262	2	Bearing	10	322-6	4	Screw-HH
6	21-9260	1	Cover-Dust	11	131-0957	1	Wheel-Steering
7	133-0576	1	Steering Rack ASM	12	3256-26	1	Washer-Flat
7:1	133-0607	1	Seal-Shaft	13	99-5107	1	Nut-Lock
7:2	133-0606	2	Bellows	14	32144-70	4	Screw-HWHTF
7:3	133-0605	2	Clamp-Bellows, Inner	15	131-3630	1	Cap-Wheel, Steering
7:4	133-0604	2	Clamp-Bellows, Outer	16	116-3515	1	Screw-HH, Special
7:5	133-0603	2	Track Tie Rod	17	3253-4	1	Washer-Lock



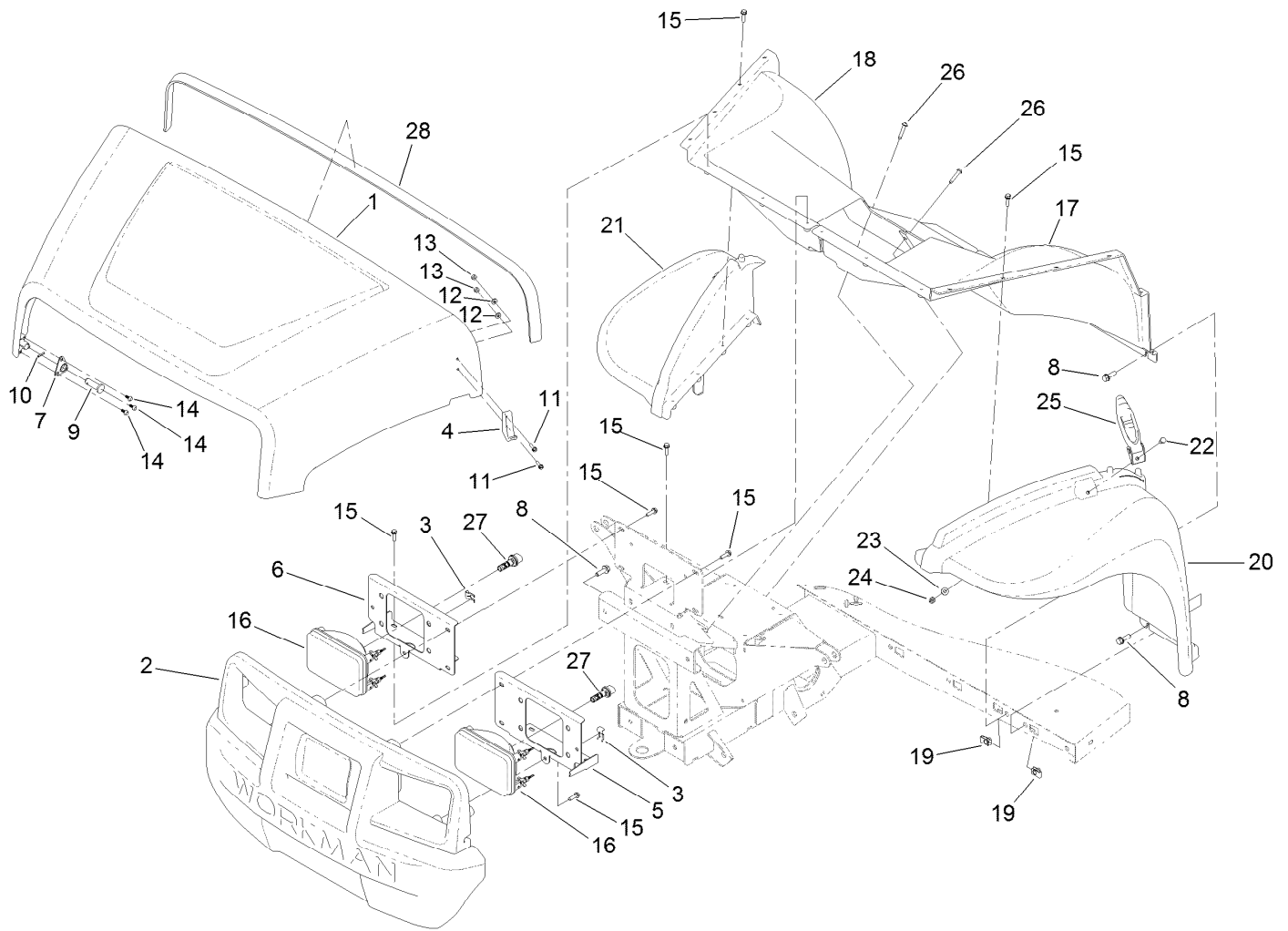
## Pedal Assembly

<i>Ref.</i>	<i>Part Number</i>	<i>Qty.</i>	<i>Description</i>	<i>Ref.</i>	<i>Part Number</i>	<i>Qty.</i>	<i>Description</i>
1	138-3581	1	Brake Pedal ASM	8	3290-134	2	Screw
1:2	256-116	2	Bushing-Flange	9	321-13	1	Screw-HH
2	132-6751-03	1	Pedal-Throttle	10	32149-2	1	Nut-Keps
3	256-116	2	Bushing-Flange	11	104-6415	1	Spring-Return, Pedal
4	323-16	2	Screw-HH	12	104-0858	1	Bolt-Shoulder
5	104-8301	2	Nut-HF, NI	13	32128-33	1	Nut-HF
6	99-7407	1	Switch	14	7-3900	1	Pad-Brake
7	1-633181	1	Plate-Tapped	15	3256-24	1	Washer-Flat



## Shifter Assembly

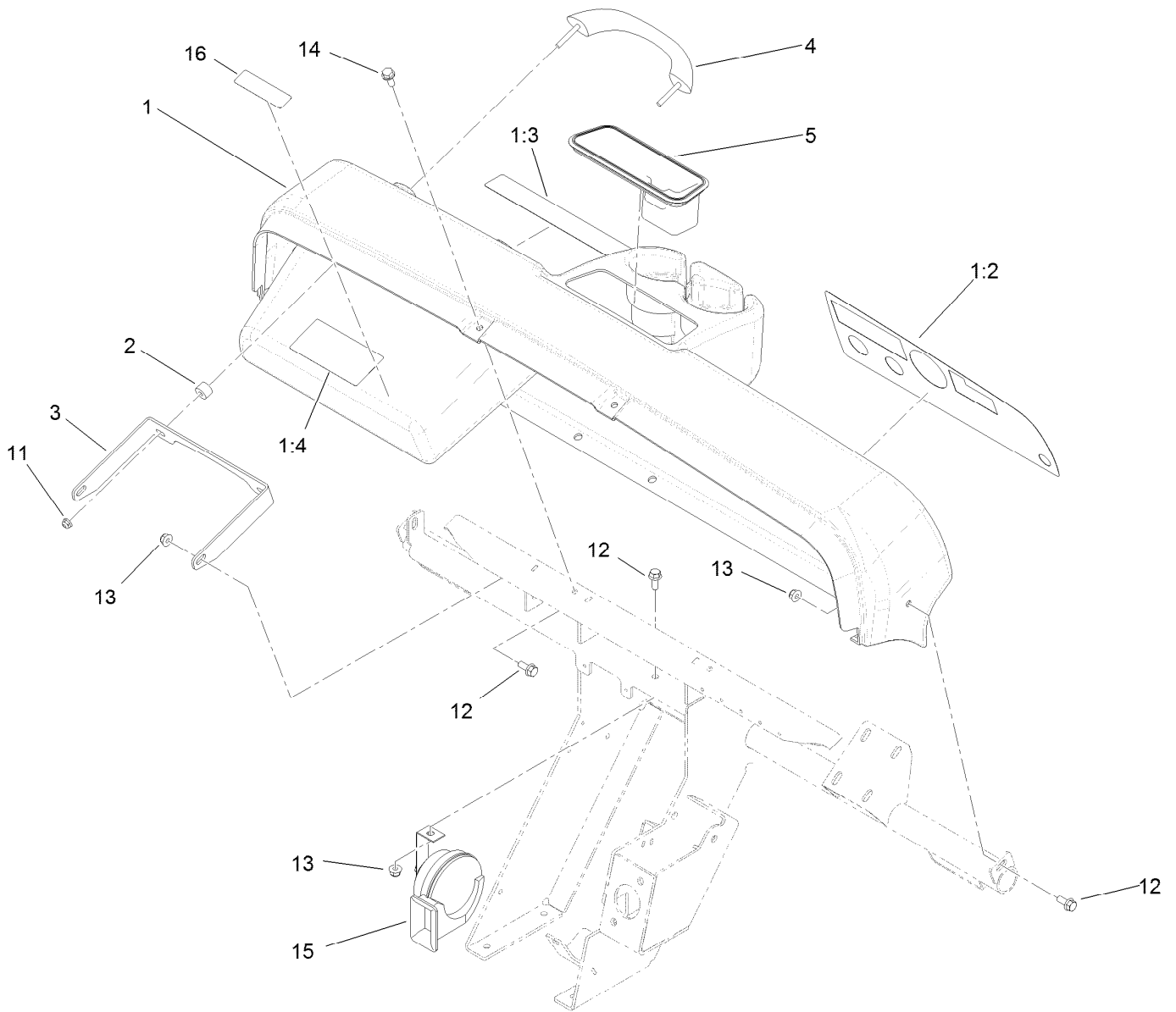
<i>Ref.</i>	<i>Part Number</i>	<i>Qty.</i>	<i>Description</i>	<i>Ref.</i>	<i>Part Number</i>	<i>Qty.</i>	<i>Description</i>
1	108-3141-03	1	Bracket-Shift	10	104-8301	2	Nut-HF, NI
2	108-3138	1	Arm-Detent	11	32105-15	4	Screw-HWH
3	114-2719	1	Plate-Detent	12	32144-4	4	Screw-HWH
4	99-7887-03	1	Plate-Shifter	13	323-14	2	Screw-HH
5	251-307	1	Bearing-Ball	14	3272-5	2	Pin-Cotter
6	99-7981	1	Knob-Grip, Soft	15	3296-42	1	Nut-Lock, NI
7	104-6415	1	Spring-Return, Pedal	16	99-7952	1	Decal-Shifter
8	32151-101	2	E-Ring	17	99-7111	1	Cable-Choke
9	3290-378	1	Tie-Cable				



## Hood and Fender Assembly

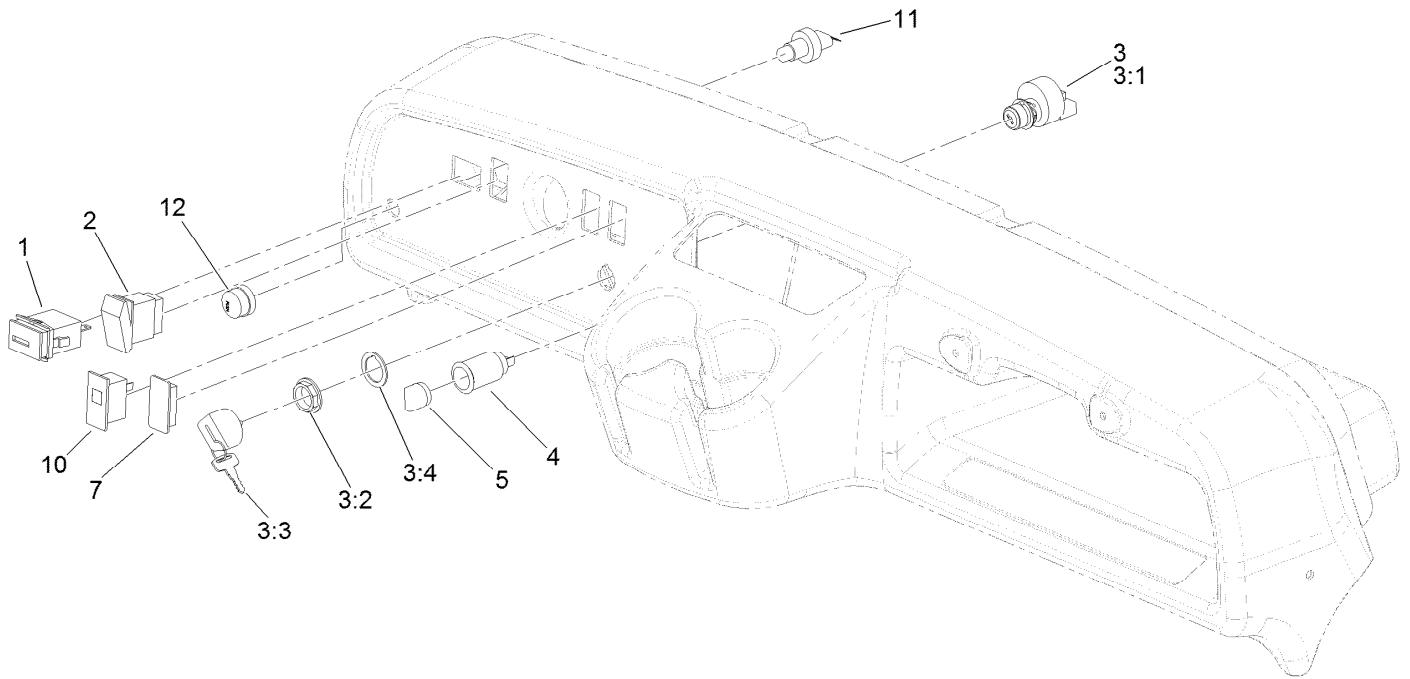
<i>Ref.</i>	<i>Part Number</i>	<i>Qty.</i>	<i>Description</i>	<i>Ref.</i>	<i>Part Number</i>	<i>Qty.</i>	<i>Description</i>
1	136-6281	1	Hood	15	46-8091	24	Screw-HWH
2	132-8530	1	Bumper	16	136-6318	2	Housing-Headlight, 12V
3	115-2408	6	Clip-Speed	17	132-6775	1	Fender-Inner, LH
4	103-2897	2	Latch-Catch	18	132-6776	1	Fender-Inner, RH
5	132-6788-03	1	Bracket-Headlight, LH	19	112-3306	10	Nut
6	132-6789-03	1	Bracket-Headlight, RH	20	112-3371	1	Fender-LH
7	112-3308	2	Retainer-Pin	21	112-3370	1	Fender-RH
8	3234-29	12	Screw-HHF	22	321-39	2	Screw-HH
9	117-5094	2	Pin-Clevis	23	3256-22	2	Washer-Flat
10	32121-50	2	Pin-Spring	24	3296-42	2	Nut-Lock, NI
11	32105-13	4	Screw-HWH	25	115-2416	2	Latch-Rubber
12	3256-14	4	Washer-Flat	26	132-6777	4	Screw-TTH
13	3296-2	4	Nut-Lock, NI	27	133-0574	2	Bulb-LED
14	121-9605	6	Screw-HWH	28	115-7635	1	Seal-Foam





## Dash Assembly

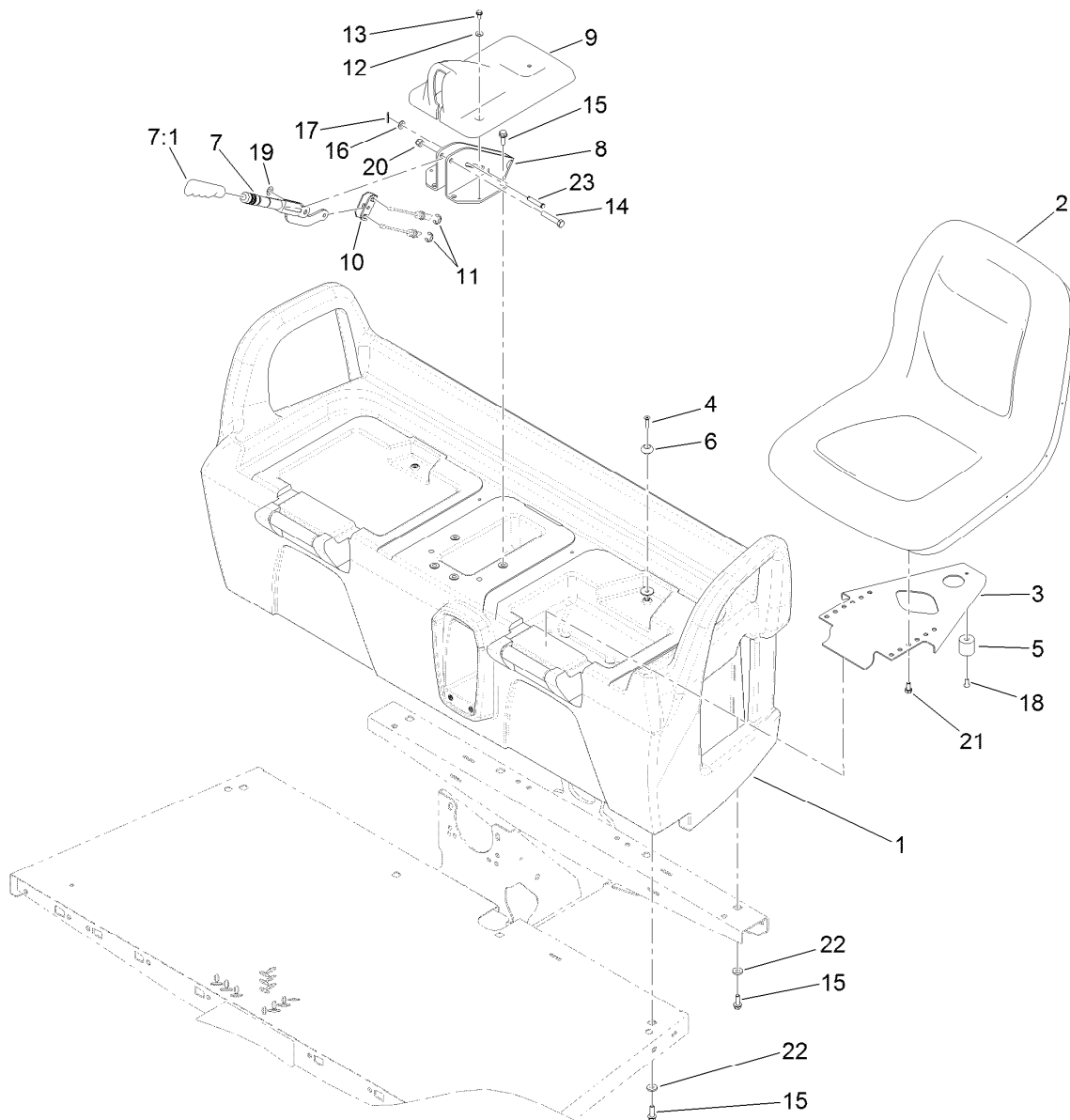
<b>Ref.</b>	<b>Part Number</b>	<b>Qty.</b>	<b>Description</b>
1	114-8310	1	Dash ASM
1:2	138-3521	1	Decal-Panel, Control
1:3	121-9775	1	Decal-Danger
1:4	115-2412	1	Decal-No Storage
2	114-8301	2	Spacer
3	112-3391-03	1	Bracket-Grip, Handle
4	112-3320	1	Handle-Grip
5	104-6930	1	Plug-Rubber
11	104-7201	2	Nut-HF
12	110-5053	4	Screw-HHF
13	104-8300	4	Nut-HF, NI
14	32144-70	6	Screw-HWHTF
15	110-2594	1	Horn
16	136-6313	1	Decal-Block, Fuse



## Control Panel Assembly

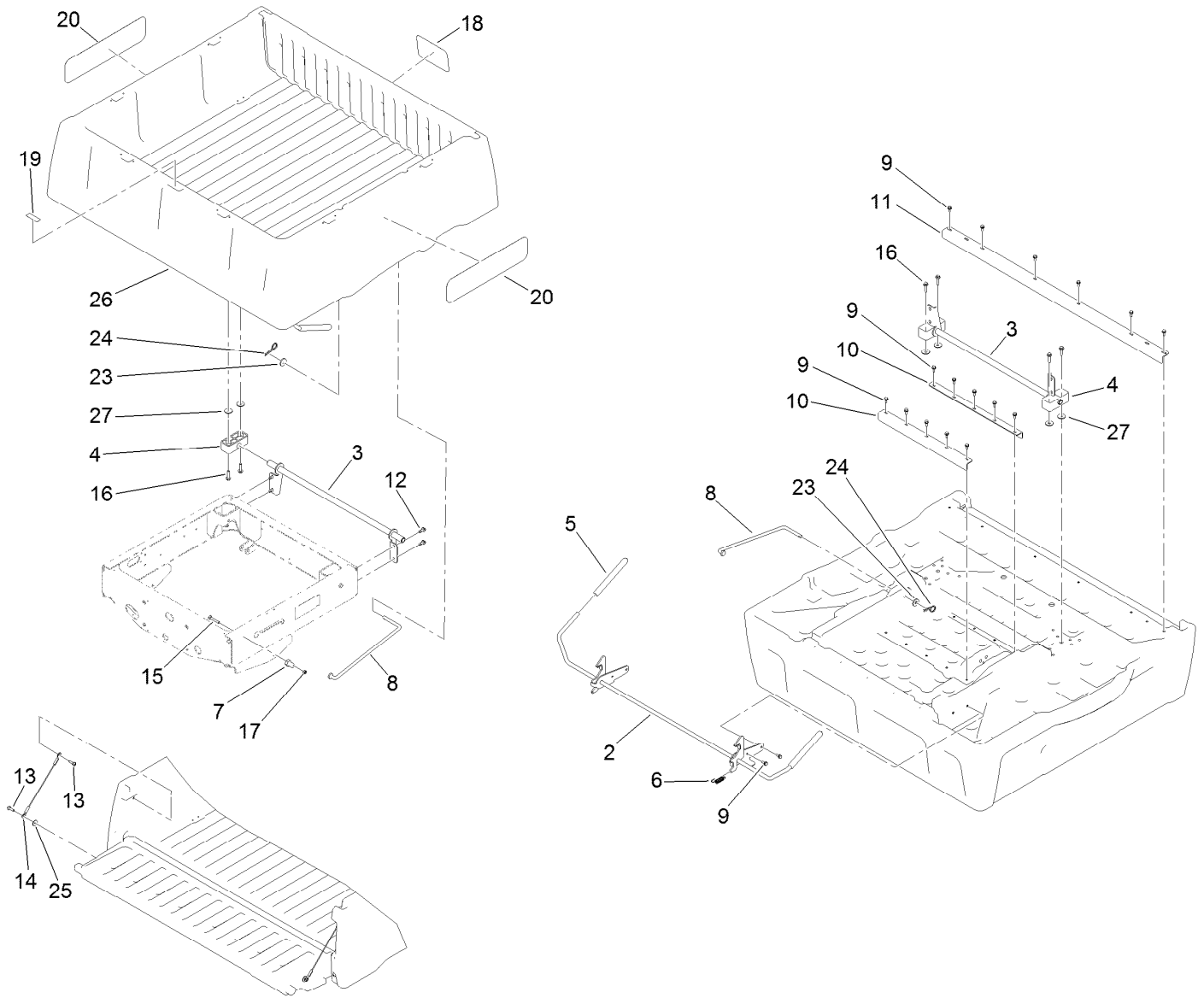
Ref.	Part Number	Qty.	Description
1	94-4208	1	Hourmeter
2	95-8999	1	Switch
3	122-1145	1	Ignition Switch ASM
3:1		1	Switch-Ignition ●
3:2	108-8660	1	Nut-Mounting
3:3	106-5270	1	Ignition Key Set
3:4	108-8659	1	Washer-Backup
4	99-7411	1	Point-Power
5	99-7416	1	Cap
7	99-7420	1	Plug-Hole
10	99-7410	1	Indicator-Light, Low-Oil Pressure
11	112-3324	1	Switch-Horn
12	112-3313	1	Nut-Weatherproof

● Not serviced separately



## Seatbase Assembly

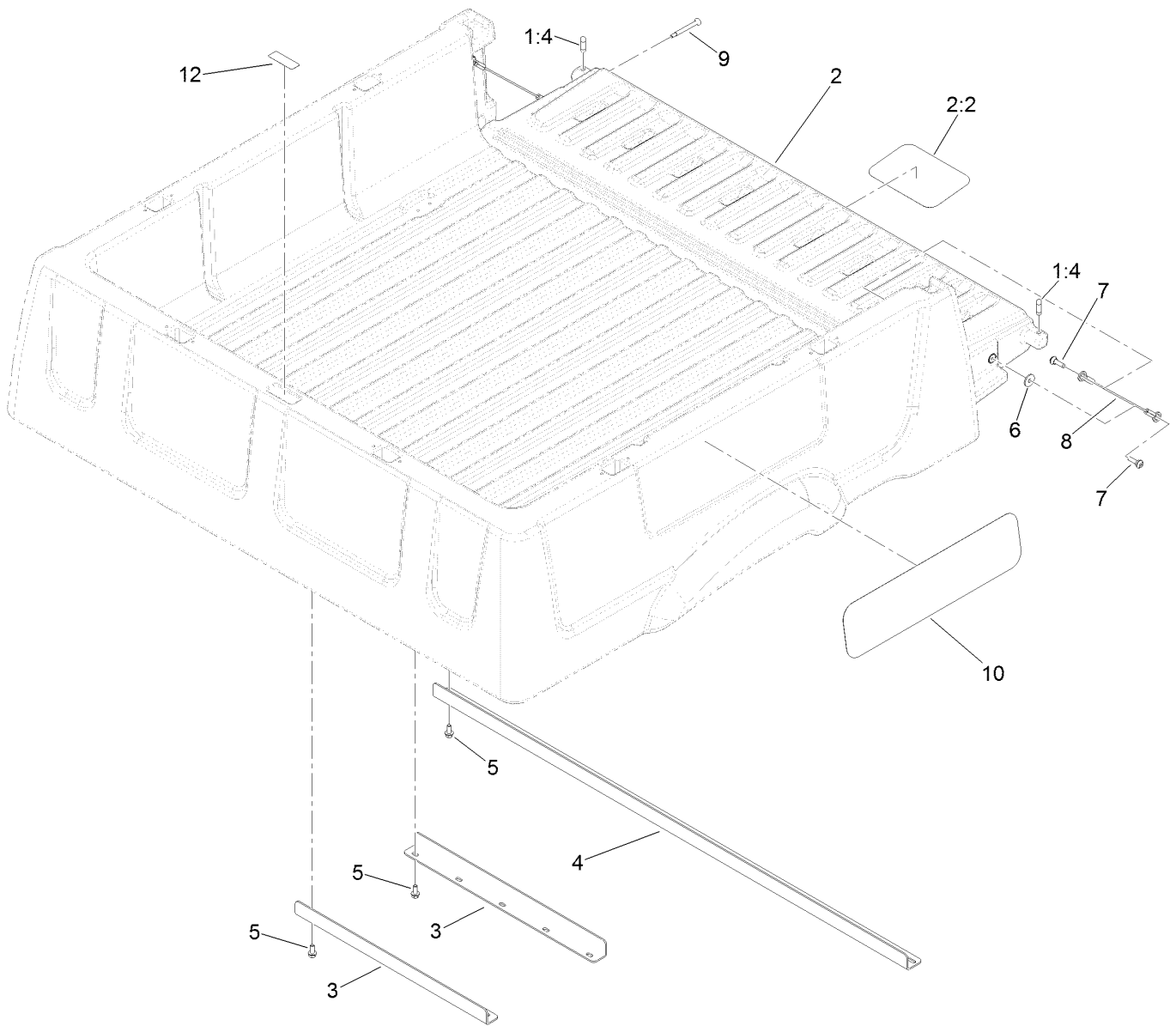
<i>Ref.</i>	<i>Part Number</i>	<i>Qty.</i>	<i>Description</i>	<i>Ref.</i>	<i>Part Number</i>	<i>Qty.</i>	<i>Description</i>
1	104-6847	1	Base-Seat	12	3256-1	4	Washer-Flat
2	133-0577	2	Seat ASM	13	32144-4	2	Screw-HWH
3	99-7829	2	Bracket-Seat	14	323-10	1	Screw-HH
4	32108-5	2	Screw-FH	15	3234-17	12	Screw-HHF
5	99-7830	2	Receptical-Rubber	16	3256-23	1	Washer-Plain
6	99-7833	2	Post-Holding	17	3272-6	1	Pin-Cotter
7	127-8863	1	Lever-Brake, Park	18	3290-412	2	Rivet-Blind
7:1	127-8864	1	Grip-Handle	19	3290-477	1	Washer-Curved
8	104-6844-03	1	Support-Brake, Park	20	3296-39	1	Nut-Lock, NI
9	104-7014	1	Cover-Brake, Parking	21	33114-016	8	Screw-HH
10	87-3480	1	Bracket-Equalizer, Cable	22	88-7200	8	Washer-Flat
11	32120-47	2	Ring-Retaining, External	23	94-3829	1	Pin-Clevis



## Cargo Bed Assembly

Ref.	Part Number	Qty.	Description
2	121-6344	1	Latch
3	133-0625-03	1	Bracket-Pivot
4	121-6342	2	Bushing-Pivot
5	119-9627	2	Grip-Handle
6	5-7290	2	Spring-Tension
7	104-7248	2	Pin-Latch
8	121-6316	1	Rod-Prop
9	3234-5	20	Screw-HHF
10	121-6314-03	2	Brace-Bed, Middle
11	121-6315-03	1	Brace-Bed, Rear
12	105-6245	4	Screw-Tapping
13	119-2267	4	Screw-Shoulder, BHTF

Ref.	Part Number	Qty.	Description
14	121-6343	2	Lanyard-Tailgate
15	3230-7	2	Bolt-CARR
16	3234-18	4	Screw-HHF
17	3296-29	2	Nut-Lock, NI
18	104-7213	1	Decal
19	115-7739	1	Decal-No Riders
20	119-9450	2	Decal
23	110-6147	1	Washer-Flat
24	107-3155	1	Hairpin
25	115-7109	2	Washer-Flat
26	133-0560	1	Cargo Bed/Tailgate ASM
27	87-5330	4	Washer

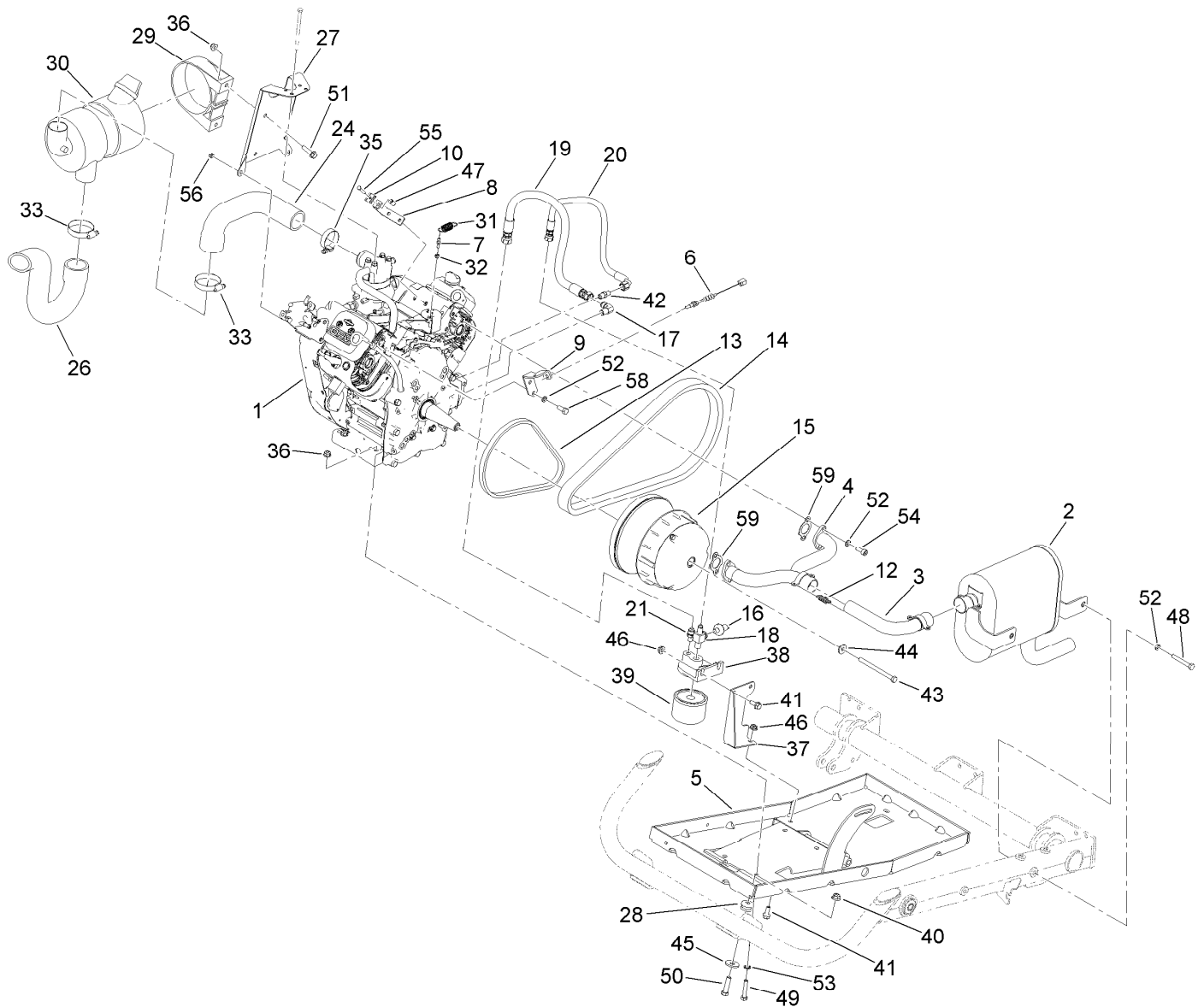


## Cargo Bed and Tailgate Service Assembly No. 133-0560

Ref.	Part Number	Qty.	Description
1		1	Cargo Bed/Tailgate ASM ●■
1:4	133-7146	2	Plug-Tailgate, Anti-Rattle
2	133-0561	1	Tailgate ASM W/Decals
2:2	104-7213	1	Decal
3	121-6314-03	2	Brace-Bed, Middle
4	121-6315-03	1	Brace-Bed, Rear
5	3234-5	16	Screw-HHF
6	115-7109	2	Washer-Flat
7	119-2267	4	Screw-Shoulder, BHTF
8	121-6343	2	Lanyard-Tailgate
9	127-7383	2	Screw-Shoulder, Bh (Torx)
10	120-4825	2	Decal
12	115-7739	1	Decal-No Riders

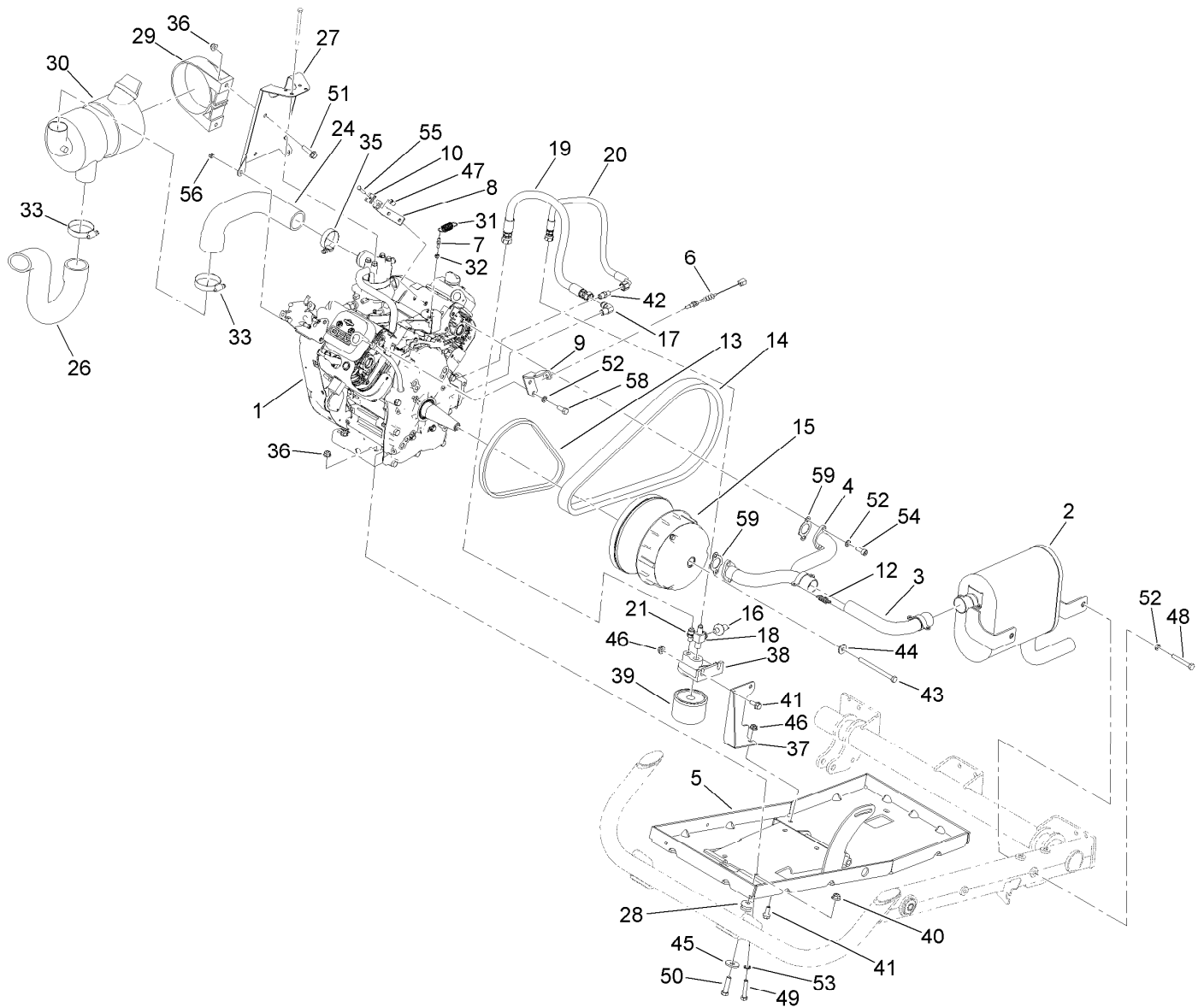
● Not illustrated

■ Not serviced separately



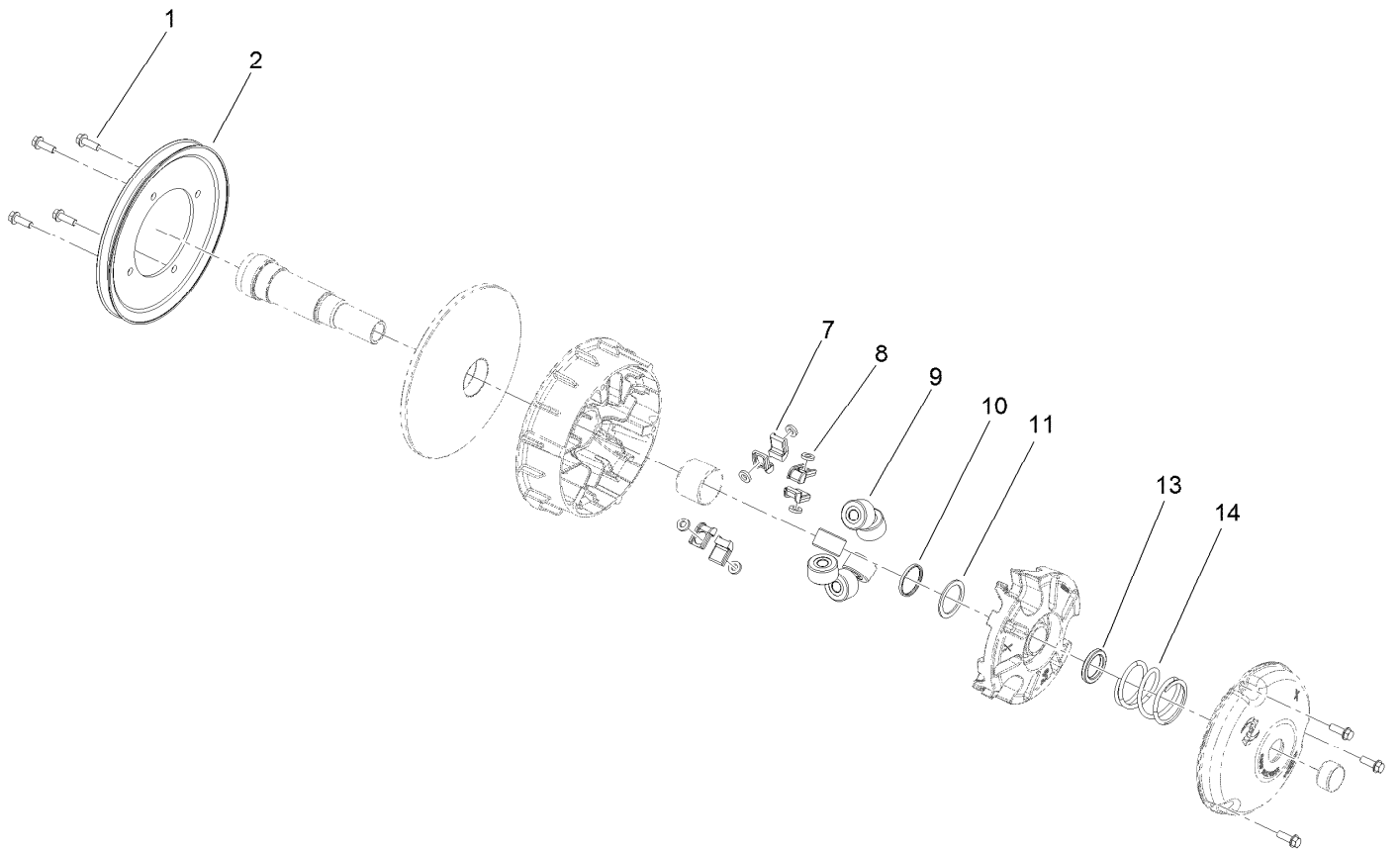
## Engine, Clutch and Air Cleaner Assembly

Ref.	Part Number	Qty.	Description	Ref.	Part Number	Qty.	Description
1	138-3440	1	Engine-Briggs And Stratton	26	115-7623	1	Hose-Intake
2	119-0746	1	Muffler	27	132-6796-03	1	Bracket-Cleaner, Air
3	119-0717	1	Pipe-Exhaust	28	63-9750	2	Mount
4	104-6476	1	Manifold-Engine	29	95-5806	1	Bracket-Mounting, Air Cleaner
5	119-0709-03	1	Tray-Engine	30	99-7120	1	Air Cleaner ASM
6	115-7612	1	Cable-Accelerator	31	71-5470	1	Spring-Brake
7	99-7847	1	Ball-Stud	32	110-2619	1	Keeper-Spring
8	107-0319	1	Bracket-Cable	33	2412-130	2	Clamp-Hose
9	115-2393	1	Bracket-Cable	35	2412-3	1	Clamp-Hose
10	81-1690	1	Clamp-Cable	36	104-8300	6	Nut-HF, NI
12	104-6478	4	Spring-Extension	37	112-3240-03	1	Bracket-Filter, Oil
13	121-9778	1	Belt-V	38	115-2314	1	Adapter-Filter, Oil
14	136-6296	1	Belt-Variable	39	107-7817	1	Filter-Oil, Engine
15	138-0094	1	Clutch-Primary	40	104-8301	2	Nut-HF, NI
16	115-2316	1	Switch-Pressure F/W	41	110-5053	4	Screw-HHF
17	115-2317	1	Fitting-Elbow	42	112-3282	1	Fitting-Straight
18	119-0826	1	Fitting-Tee	43	119-0722	1	Screw-HH
19	119-0831	1	Hose-HYD	44	119-0724	1	Washer-Flange
20	119-0832	1	Hose-HYD	45	2844	2	Washer
21	119-0833	1	Fitting-Straight	46	32128-20	4	Nut-HF
24	131-6696	1	Hose-Air Intake				



## Engine, Clutch and Air Cleaner Assembly (continued)

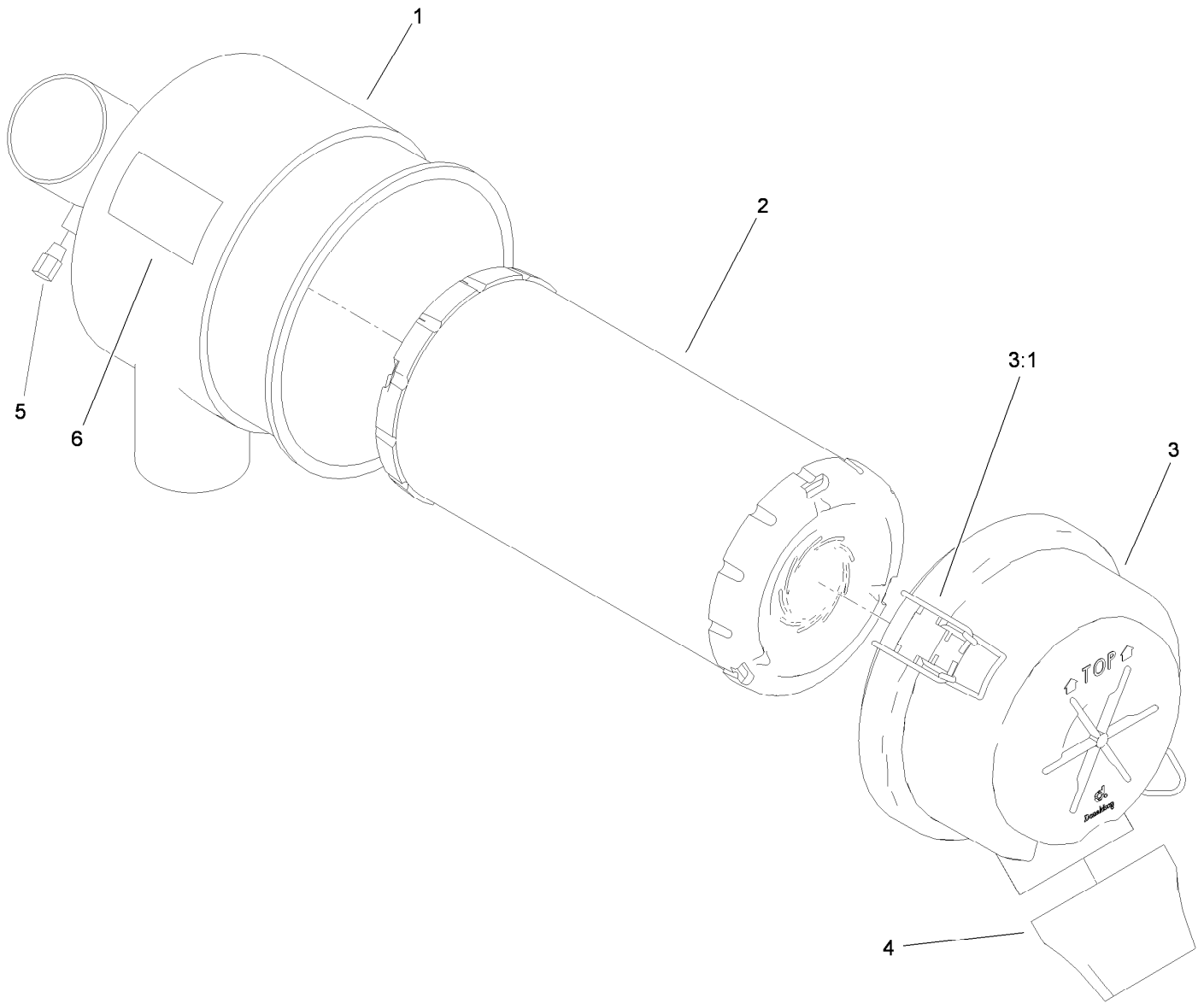
<i>Ref.</i>	<i>Part Number</i>	<i>Qty.</i>	<i>Description</i>	<i>Ref.</i>	<i>Part Number</i>	<i>Qty.</i>	<i>Description</i>
47	32148-14	1	Nut-Clinch	53	3254-2	2	Washer-Lock, Internal
48	322-11	2	Screw-HH	54	108-6343	4	Screw-Cap, HSH
49	322-9	4	Screw-HH	55	3290-432	1	Screw-HH
50	323-8	2	Screw-HH	56	33023-00	2	Nut-Lock
51	3234-36	2	Screw-HHF	58	66-3160	2	Screw-Cap
52	3253-4	8	Washer-Lock	59	140-2557	2	Gasket-Exhaust



## Primary Clutch Assembly No. 138-0094

<i>Ref.</i>	<i>Part Number</i>	<i>Qty.</i>	<i>Description</i>
1	49-2040	7	Screw-HWHTF
2	119-0813	1	Pulley-Primary
7	127-8689	6	Button-Primary, Torque
8	127-8690	6	Plug-Button, Torque
9	119-0804	6	Weight-Roller
10	119-0815	1	Shim-Spider
11	119-0812	1	Shim-Spider
13	119-0807	2	Shim-Limiter
14	119-9532	1	Spring-Red/White

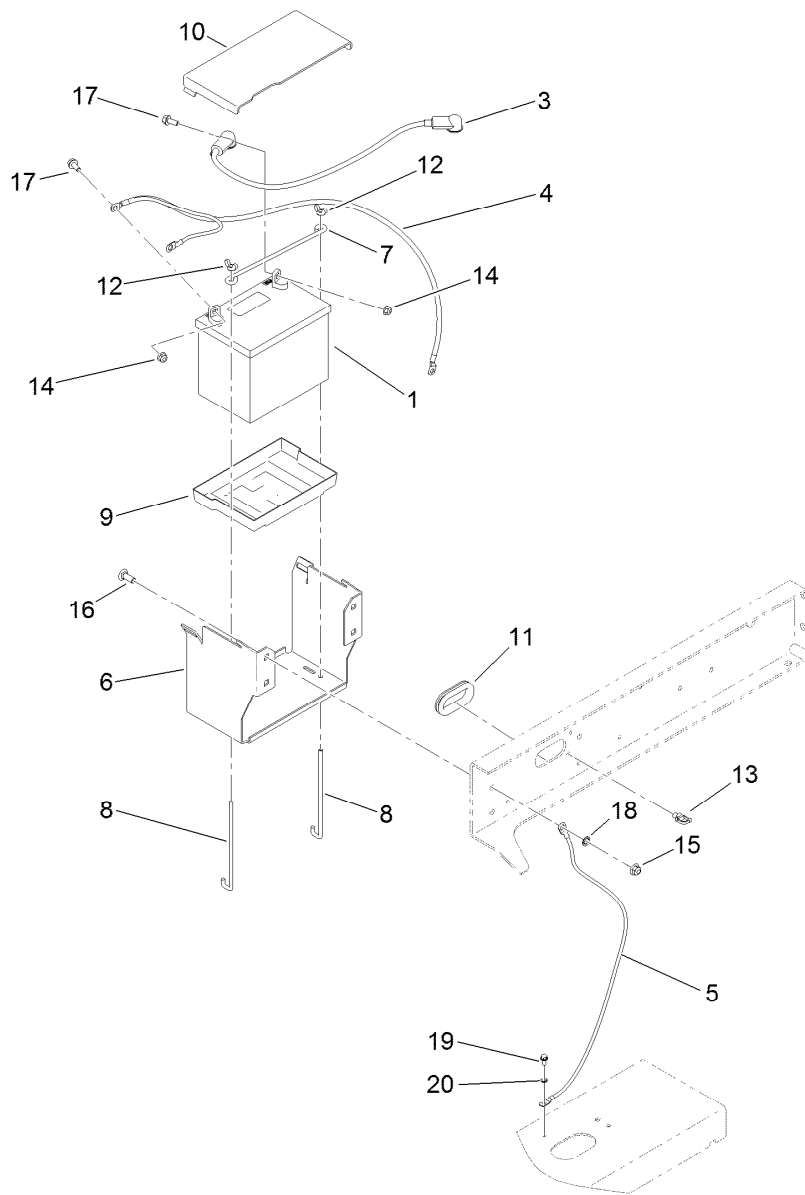




## Air Cleaner Assembly No. 99-7120

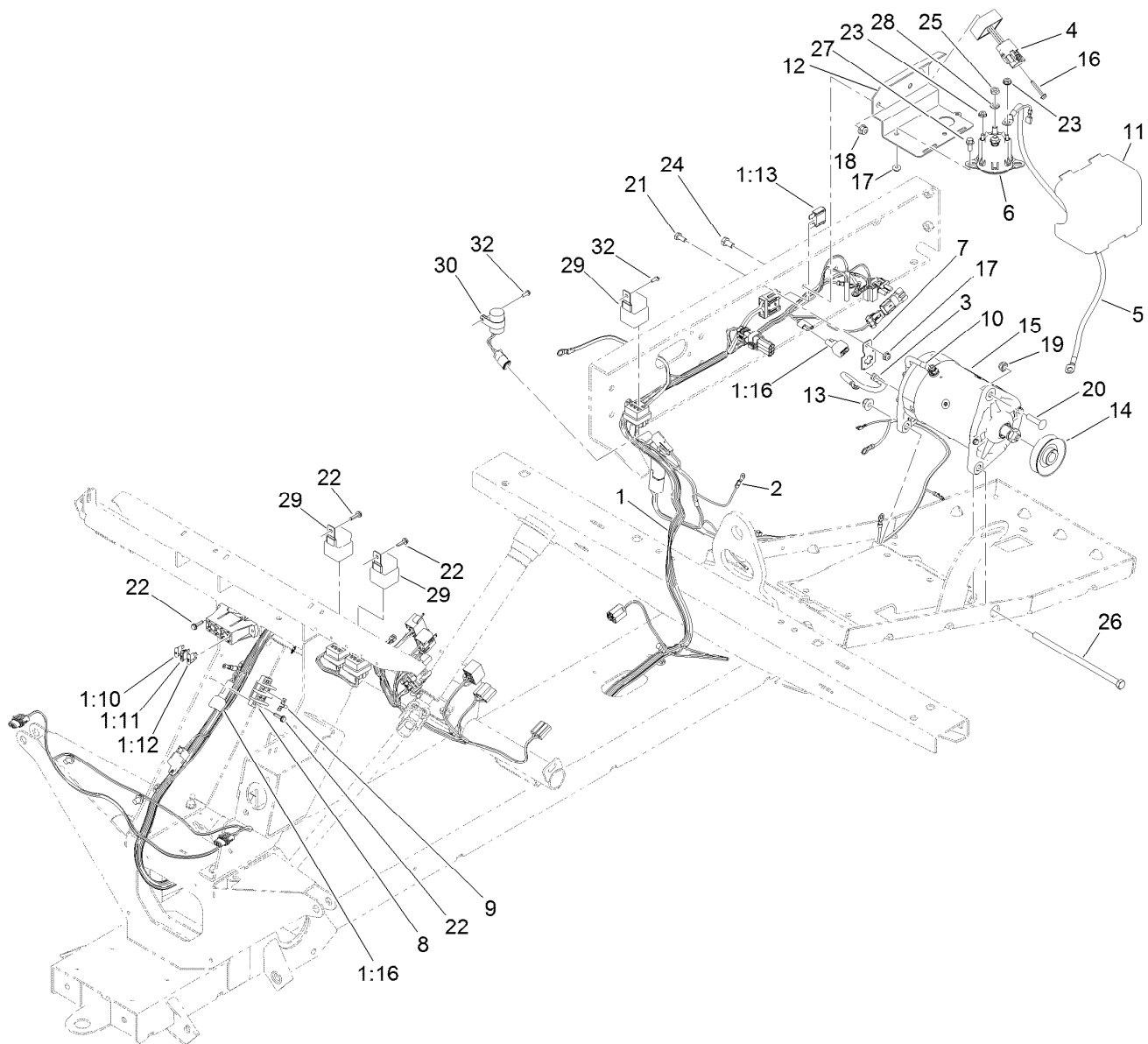
Ref.	Part Number	Qty.	Description
1		1	Body ●
2	108-3811	1	Filter-Air
3	94-3652	1	Cover ASM
3:1	1-643283	2	Latch-Cleaner, Air
4	87-9400	1	Valve-Vacuator
5		1	Plug ●
6		1	Marking ●

● Not serviced separately



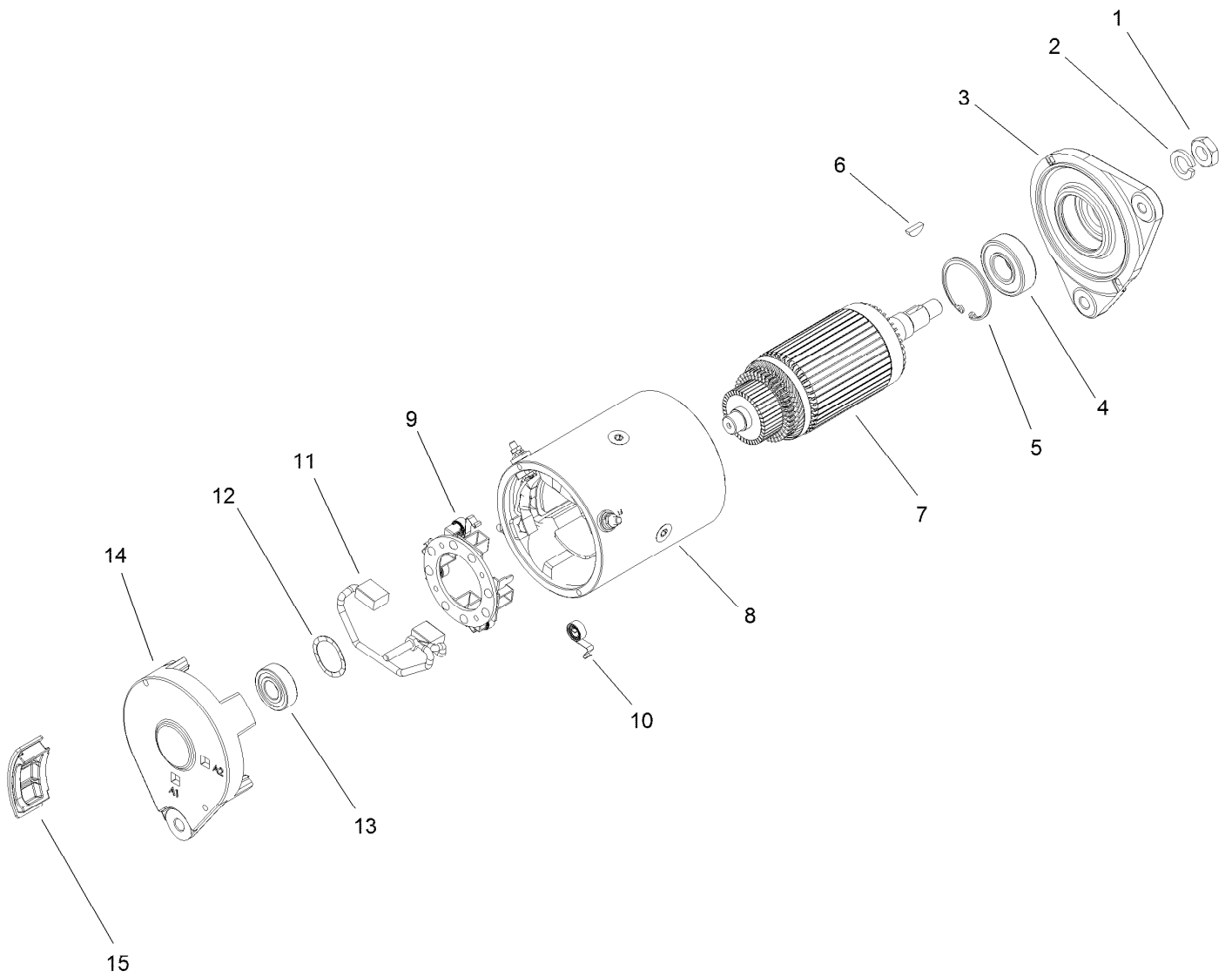
## Battery Assembly

<i>Ref.</i>	<i>Part Number</i>	<i>Qty.</i>	<i>Description</i>	<i>Ref.</i>	<i>Part Number</i>	<i>Qty.</i>	<i>Description</i>
1	104-8162	1	Battery	12	32103-22	2	Nut-Wing
3	114-9404	1	Cable-Battery, Positive	13	32180-030	2	Clip-Tie
4	115-8107	1	Cable-Battery, Negative	14	104-8300	2	Nut-HF, NI
5	115-8108	1	Cable-Battery, Negative	15	104-8301	4	Nut-HF, NI
6	115-2302-03	1	Base-Battery	16	3231-22	4	Screw-CARR
7	100-6434	1	Rod-Hold Down, Battery	17	3234-5	2	Screw-HHF
8	100-6435	2	Post-Battery	18	3254-6	1	Washer-Lock, Internal
9	106948	1	Tray-Battery	19	32144-4	1	Screw-HWH
10	115-2394	1	Cover-Battery	20	3254-16	1	Washer-Lock/Int
11	240-12	1	Grommet				



## Electrical Assembly

<i>Ref.</i>	<i>Part Number</i>	<i>Qty.</i>	<i>Description</i>	<i>Ref.</i>	<i>Part Number</i>	<i>Qty.</i>	<i>Description</i>
1	122-1429	1	Harness-Wire, Main	14	121-6277	1	Pulley-Drive
1:10	218-578	1	Fuse-Blade, 10 Amp	15	131-8444	1	Starter/Generator ASM
1:11	109355	1	Fuse-Blade, 15 Amp	16	100-4352	1	Screw-HWH
1:12	109101	1	Fuse-Blade, 20 Amp	17	104-7201	3	Nut-HF
1:13	114-3342	1	Fuse-Maxi, 60 Amp	18	104-8300	2	Nut-HF, NI
1:16	100-4918	2	Diode	19	3296-69	1	Nut-Lock, NI
2	122-1140	1	Harness-Wire, Engine	20	112-6950	1	Screw-CARR
3	94-2777	1	Wire-Ground	21	321-3	1	Screw-HH
4	119-9492	1	Regulator-Voltage	22	100-4351	6	Screw-HWH
5	112-3537	1	Cable-Battery, Positive	23	32149-8	2	Nut-Keps
6	114-3315	1	Solenoid	24	322-2	2	Screw-HH
7	114-5502	1	Clip-Fuse	25	3220-2	2	Nut-Jam
8	42862	1	Block-Terminal, Ground	26	323-30	1	Screw-HH
9	42863	1	Strip-Jumper	27	3234-33	2	Screw-HHF
10	122-1176	1	Cable-Battery, Negative	28	3255-8	2	Washer-Lock
11	112-3027	1	Cover-Controller	29	99-7430	3	Relay-Mini
12	119-0752-03	1	Mount-Component	30	122-1128	1	Module-Delay, Timer
13	104-8301	1	Nut-HF, NI	32	32144-87	2	Screw-HWHTF

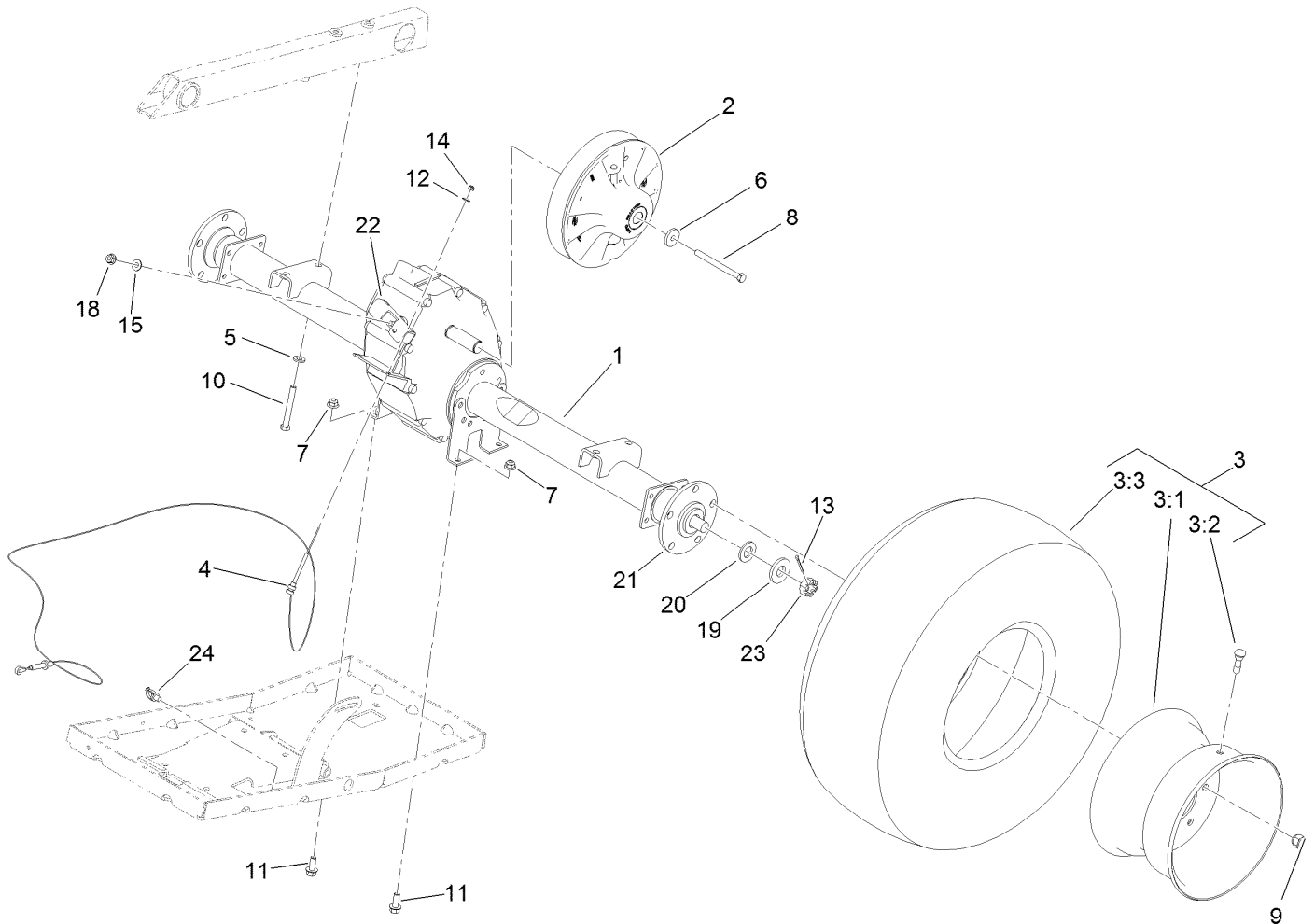


## Starter Generator Assembly No. 131-8444

Ref.	Part Number	Qty.	Description
1	119-9651	1	Nut
2	119-9652	1	Washer-Lock
3	133-0599	1	Head-Drive End
4	119-9655	1	Bearing
5	119-9656	1	Ring-Retaining
6	119-9657	1	Key-Woodruff
7	119-9658	1	Armature ASM
8		1	Frame And Field Assembly ●
9	119-9661	1	Brush Box ASM
10	119-9660	4	Spring-Brush
11	119-9659	1	Brush Lead And Terminal Service Kit
12	119-9662	1	Washer-Wave
13	119-9663	1	Bearing
14		1	Head-End, Cummutator ●
15	133-0600	4	Plug-Rubber

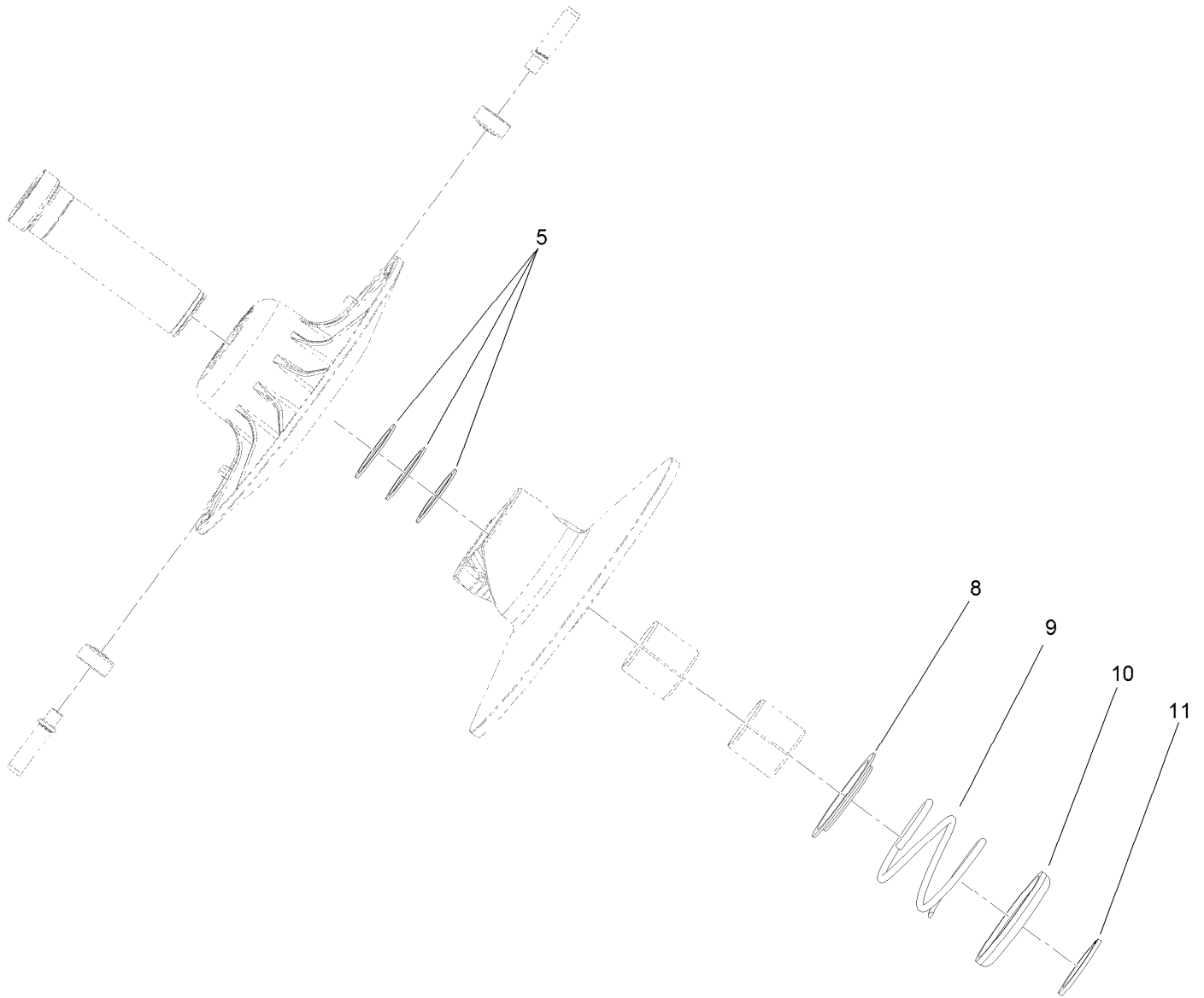
● Not serviced separately





## Rear Axle Drive System Assembly

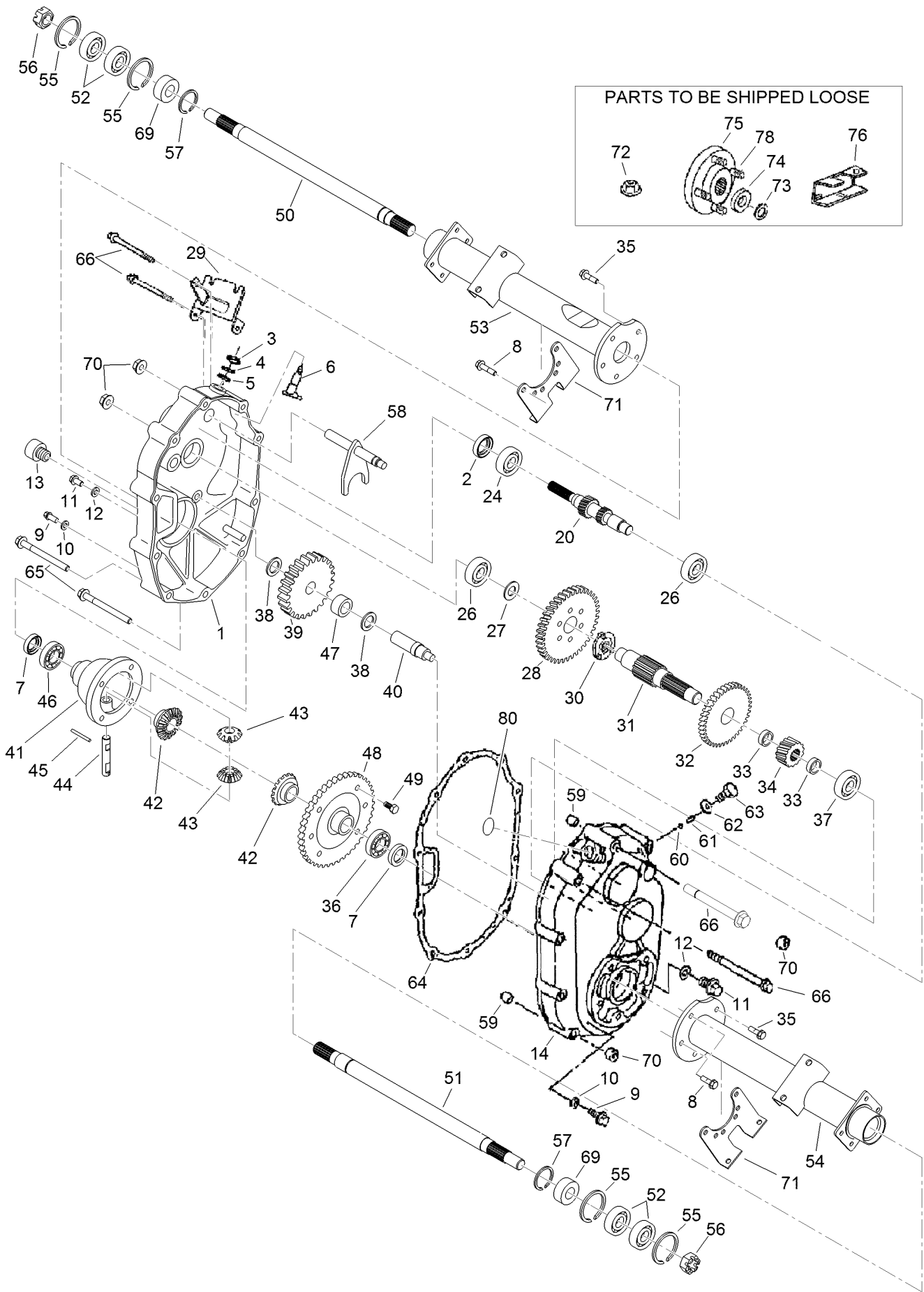
Ref.	Part Number	Qty.	Description	Ref.	Part Number	Qty.	Description
1	119-0760	1	Transaxle ASM	11	3234-11	4	Screw-HHF
2	136-6289	1	Clutch-Secondary	12	3256-49	2	Washer-Plain
3	131-8434	2	Tire And Wheel ASM	13	3272-12	2	Pin-Cotter
3:1	131-8435	1	Wheel	14	3296-2	2	Nut-Lock, NI
3:2	232-27	1	Stem-Valve	15	87-8640	1	Washer-Flat
3:3	131-6667	1	Tire	18	104-1672	1	Nut-Lock
4	115-7679	2	Cable-Control, Tension	19	133-0632	2	Spacer
5	100-4852	4	Washer-Hardened	20	104-1674	2	Washer
6	104-6563	1	Washer-Stepped	21	104-1675	2	Hub
7	104-8301	4	Nut-HF, NI	22	104-6860	1	Lever-Select
8	119-0723	1	Screw-HH, Lock	23	104-1656	2	Nut-Castle
9	242-50	10	Nut-Lug	24	32180-030	1	Clip-Tie
10	323-14	4	Screw-HH				



## Secondary Clutch Assembly No. 136-6289

<i>Ref.</i>	<i>Part Number</i>	<i>Qty.</i>	<i>Description</i>
5	119-6018	3	Shim-Thrust
8	119-0809	1	Cup-Spring Retainer, Inner
9	119-9360	1	Spring-Compression, Black/Almond
10	119-0810	1	Cup-Spring Retainer, Outer
11	119-0811	1	Ring-Retaining

# Transaxle Assembly No. 119-0760





## Transaxle Assembly No. 119-0760 (continued)

<i>Ref.</i>	<i>Part Number</i>	<i>Qty.</i>	<i>Description</i>	<i>Ref.</i>	<i>Part Number</i>	<i>Qty.</i>	<i>Description</i>
1	104-1601	1	Case-LH, Complete	44	104-1644	1	Shaft-Differential
2	104-1602	1	Seal-Oil	45	104-1645	1	Pin
3	104-1603	1	Seal-Oil	46	104-1646	1	Bearing-Ball
4	104-1604	1	Ring-Snap	47	104-1647	1	Bearing-Needle
5	104-1605	1	Spacer	48	104-1648	1	Gear
6	104-1606	1	Shaft-Selector	49	104-1649	6	Bolt
7	104-1607	2	Seal-Oil	50	104-1650	1	Shaft-Axle, LH
8	104-1608	4	Bolt-Flange	51	104-1651	1	Shaft-Axle, RH
9	104-1609	2	Plug-Check, Oil	52	104-1652	4	Bearing-Ball
10	104-1610	2	Gasket	53	104-1653	1	Case-Axle, LH
11	104-1611	2	Plug-Drain, Oil	54	104-1654	1	Case-Axle, RH
12	104-1612	2	Gasket	55	104-1655	4	Ring-Snap
13	104-1613	1	Plug-Filler, Oil	56	104-1656	2	Nut-Castle
14	104-1614	1	Case-Complete, RH	57	104-1657	2	Ring-Snap
20	104-7002	1	Shaft-Input, Complete	58	104-6870	1	Shaft-Shift, Complete
24	104-1624	1	Bearing-Ball	59	104-1659	2	Knock-Pipe
26	104-1626	2	Bearing-Ball	60	104-1660	1	Ball-Steel
27	104-1627	1	Spacer	61	104-1661	1	Spring
28	104-1628	1	Gear	62	104-1662	1	Gasket
29	104-1629	1	Bracket-Wire, Change	63	104-1663	1	Bolt
30	104-1630	1	Clutch-Pin	64	104-1664	1	Gasket
31	104-1631	1	Shaft-Center	65	104-1665	6	Bolt-Flange
32	104-1632	1	Gear	66	104-1666	4	Bolt-Flange
33	104-1633	2	Collar	69	104-6867	2	Collar
34	104-1634	1	Gear	70	33004-00	10	Nut-HF
35	104-1635	6	Bolt-Flange	71	104-1671	2	Bracket-Axle
36	104-1636	1	Bearing-Ball	72	104-1672	1	Nut-Lock
37	104-1637	1	Bearing-Ball	73	104-1673	2	Washer-Spring
38	104-1638	2	Spacer	74	104-1674	2	Washer
39	104-1639	1	Gear	75	104-1675	2	Hub
40	104-1640	1	Shaft-Counter	76	104-6860	1	Lever-Select
41	104-1641	1	Case-Differential	78	104-8649	10	Stud
42	104-1642	2	Gear-Side, Differential	80	121-9718	1	Cap-Seal
43	104-1643	2	Pinion-Differential				

# Attachments and Accessories

## For 07235TC Workman MDX Utility Vehicle

<b>Product Name</b>	<b>Model/Part</b>
Electric Bed Lift Kit, 2014 and After Workman MD/MDX/MDX-D Utility Vehicle .....	07389
Receiver Hitch Kit .....	07278
Roll-Over Protection System .....	07276
Canopy Kit .....	07324
Folding Windshield Kit .....	07326
Solid Windshield Kit .....	07325
Cab Kit .....	07320
Work Light Kit .....	130-5485
Beacon Kit .....	130-5484
Exterior Mirror Kit .....	130-5448
Interior Mirror Kit .....	130-5449
Door Kit with Sliding Window .....	07356
Windshield Washer Fluid Kit, 2015 and after Workman MD/HD Series Utility Vehicle .....	130-5615
Lift Wire Harness Kit .....	115-7823
Backup Alarm Kit .....	115-7824
Tire-AT 489, 24x10.5-10 .....	104-7061
Tire-AT 489, 22x9.5-10 .....	104-7062
Spark Arrestor Screen .....	94-8157
Battery Kit .....	119-9680
Stake Pocket Adapter Kit, 2011 and After Workman MD Series Utility Vehicle .....	119-9604
Tie-Down Kit, 2011 and After Workman MD Series Utility Vehicle .....	119-9605
Hitch ASM .....	131-3462
Road Light and Homologation Kit .....	120-5031
Brake and Signal Light Kit .....	120-5044
Tapered Nozzle Kit .....	119-6280
Rectangular Nozzle Kit .....	119-6281
Nozzle-Extension, Straight .....	119-6282
Nozzle-Extension, Tapered .....	119-6283
Nozzle-Extension, Rectangular .....	119-6284
Cargo Bed Installation Kit with Manual Dump, 2011 to 2013 Workman MD Series Utility Vehicle .....	127-7385
Cargo Bed Installation Kit with Electric Lift, 2011 to 2013 Workman MD Series Utility Vehicle .....	127-7386
Cargo Bed Installation Kit with Manual Dump, 2010 and Before Workman MD Series Utility Vehicle .....	131-3457
Horn Kit .....	115-7825
Key Start Kit .....	121-6338
LED Worklight Kit .....	133-0554
ROPS Beacon Kit .....	133-0609
Front Spring Kit, 2016 and After MDX or MDX-D Series Utility Vehicle .....	133-0630
Spanner Wrench .....	132-5069
Brush Guard Kit .....	07145
Side Mirror Kit .....	119-9546
Service Hood ASM .....	133-7209
Wireless Hourmeter .....	115-4754
Wireless Hour Meter Finish Kit .....	138-5698
Door Mount Mirror Kit .....	136-1997

**Notes:**



**Count on it.**