



Count on it.

Parts Catalog

**Workman® MDX
Utility Vehicle**

Model No. 07235—Serial No. 316000001 and Up



Ordering Replacement Parts

To order replacement parts, please supply the part number, the quantity, and the description of each part desired.

Understanding Reference Numbers

Each identified part in an illustration has a reference number. The reference number for a part also appears in the parts list, along with other information about the part.

This catalog uses two special reference number formats, one to indicate parts in a service assembly and another to indicate the quantity of a given part in an illustration.

Service Assembly Reference Numbers

Parts in service assemblies have reference numbers in the form a:b. The a represents the reference number of the entire service assembly and the b represents a sequential number unique to each part within the service assembly.

For example, a wheel assembly might be identified by reference number 6, the tire by 6:1, the valve by 6:2, and the wheel by 6:3. When you order the assembly identified by reference number 6, you receive all parts identified by reference numbers 6:1, 6:2, and 6:3. However, you may also order any part individually. Reference numbers of this type appear in illustration and in parts lists.

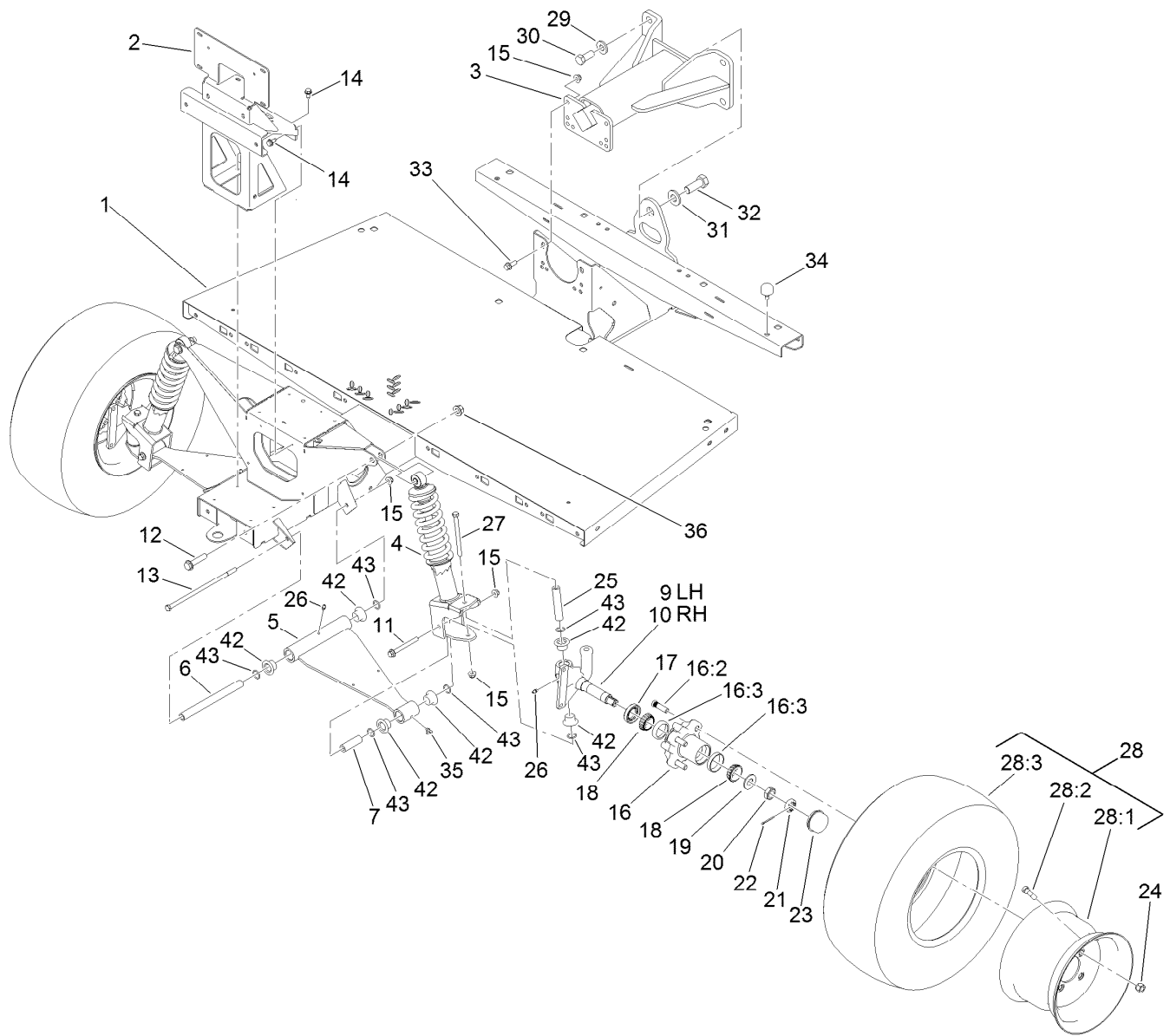
Reference Numbers Indicating Quantity

In an illustration, if a reference number indicates more than one part, the reference number has the form nX y. The n represents the quantity of the part, the X is the multiplication symbol, and the y represents the reference number.

For example, in an illustration, the reference number 2X 37 means that two of the parts identified by reference number 37 are indicated.

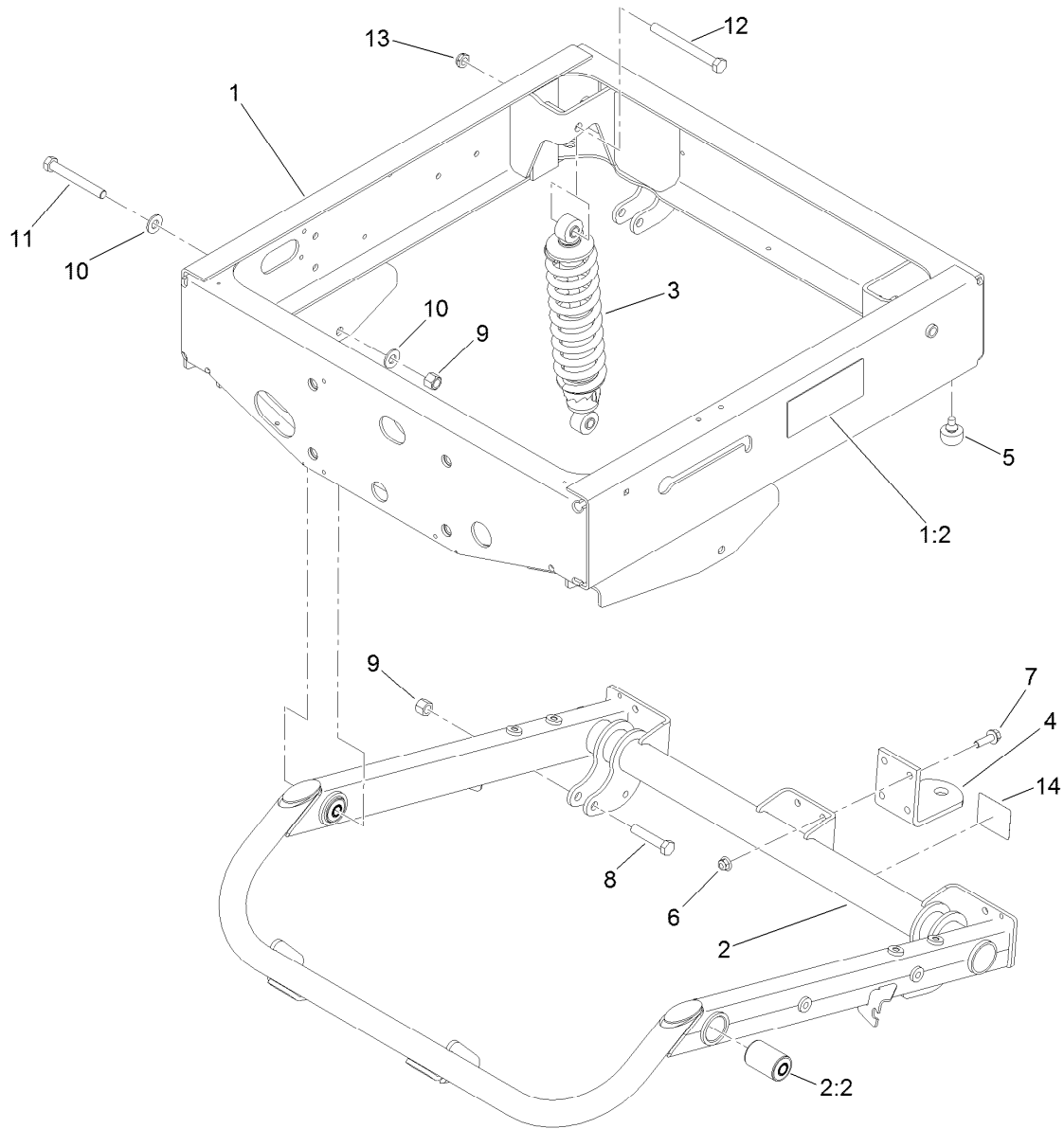
Contents

| | |
|--|----|
| Front Frame and Suspension Assembly | 4 |
| Rear Frame and Suspension Assembly | 5 |
| Front Brake Assembly | 6 |
| Master Cylinder Assembly No. 104-6782 | 7 |
| Brake Caliper Assembly No. 127-7424 | 8 |
| Rear Brake Assembly | 9 |
| RH Rear Brake Assembly No. 114-8331 | 10 |
| LH Rear Brake Assembly No. 114-8332 | 11 |
| Steering Assembly | 12 |
| Pedal Assembly | 13 |
| Shifter Assembly | 14 |
| Hood and Fender Assembly | 15 |
| Dash Assembly | 16 |
| Control Panel Assembly | 17 |
| Seatbase Assembly | 18 |
| Cargo Bed Assembly | 19 |
| Cargo Bed and Tailgate Service Assembly No. 133-0560 | 20 |
| Engine, Clutch and Air Cleaner Assembly | 21 |
| Primary Clutch Assembly No. 133-0580 | 23 |
| Air Cleaner Assembly No. 99-7120 | 24 |
| Rear Axle Drive System Assembly | 25 |
| Transaxle Assembly No. 119-0760 | 26 |
| Secondary Clutch Assembly No. 119-6011 | 28 |
| Battery Assembly | 29 |
| Electrical Assembly | 30 |
| Starter Generator Assembly No. 131-8444 | 31 |
| Fuel Tank Assembly | 32 |
| Attachments and Accessories | 33 |



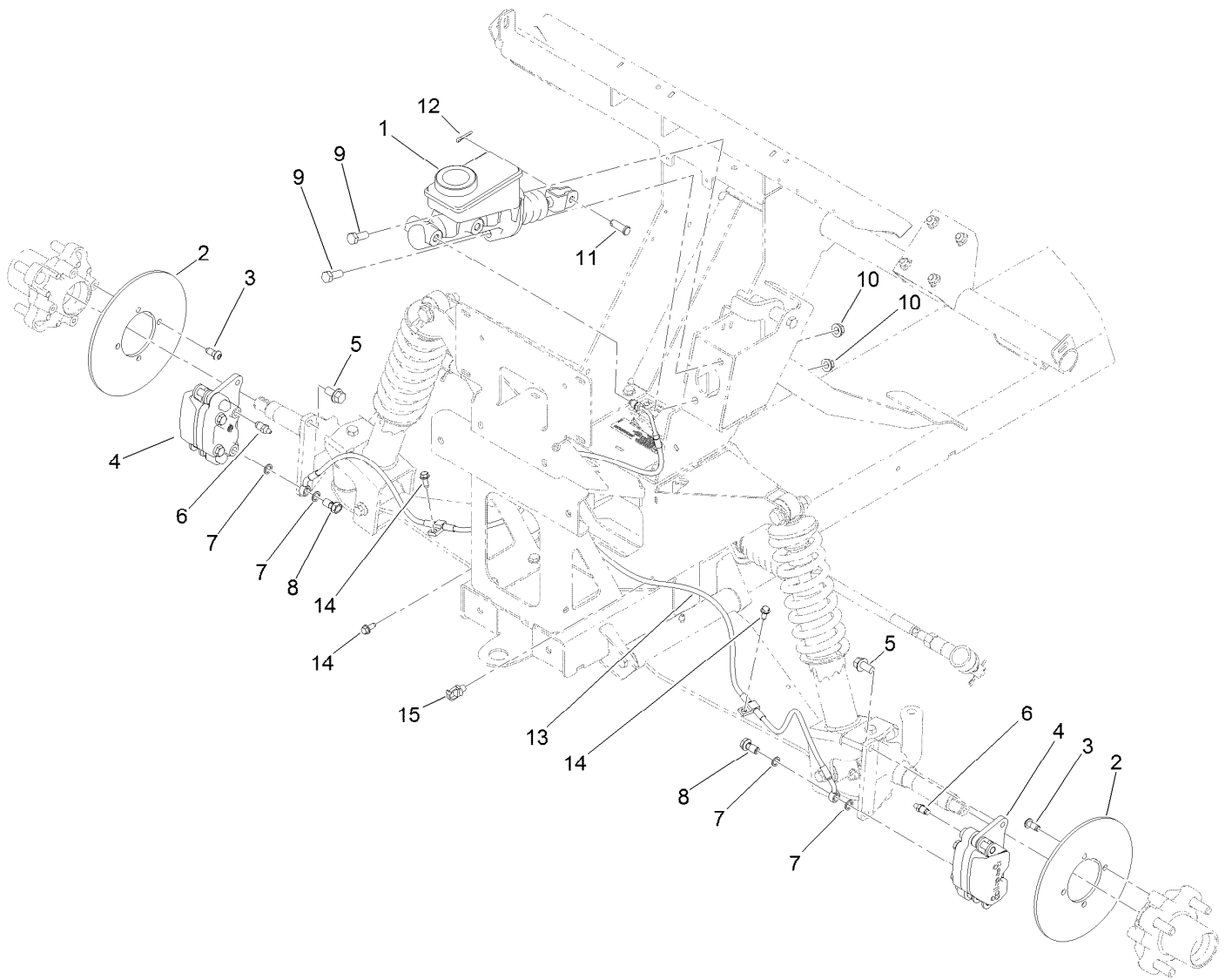
Front Frame and Suspension Assembly

| Ref. | Part Number | Qty. | Description | Ref. | Part Number | Qty. | Description |
|------|-------------|------|---------------------------|------|-------------|------|------------------------|
| 1 | 132-6735-03 | 1 | Frame-Front | 21 | 93-0307 | 2 | Nut-Lock, Retainer |
| 2 | 132-6736-03 | 1 | Support-Bumper | 22 | 3272-12 | 2 | Pin-Cotter |
| 3 | 99-7700 | 1 | Yoke-Pivot | 23 | 241-119 | 2 | Cap-Dust |
| 4 | 132-6791 | 2 | Strut ASM | 24 | 242-50 | 8 | Nut-Lug |
| 5 | 132-6747-03 | 2 | Arm-Control | 25 | 131-8582 | 2 | Sleeve-Kingpin |
| 6 | 133-0595 | 2 | Sleeve-Control Arm, Inner | 26 | 302-5 | 4 | Fitting-Grease |
| 7 | 131-8583 | 2 | Sleeve-Control Arm, Outer | 27 | 323-38 | 2 | Screw-HH |
| 9 | 127-8825-03 | 1 | Spindle-LH | 28 | 133-0579 | 2 | Wheel And Tire ASM |
| 10 | 127-8826-03 | 1 | Spindle-RH | 28:1 | 133-0590 | 1 | Wheel |
| 11 | 116-4701 | 2 | Screw-HHF | 28:2 | 127-7435 | 1 | Tire |
| 12 | 3234-46 | 2 | Screw-HHF | 28:3 | 232-27 | 1 | Stem-Valve |
| 13 | 325-39 | 2 | Screw-HH | 29 | 99-7667 | 4 | Washer-Flat |
| 14 | 32144-70 | 6 | Screw-HWHTF | 30 | 327-4 | 4 | Screw-HH |
| 15 | 104-8301 | 8 | Nut-HF, NI | 31 | 87-3060 | 1 | Washer-Hardened |
| 16 | 127-8851 | 2 | Front Hub ASM | 32 | 328-24 | 1 | Screw-HH |
| 16:2 | 10-6830 | 4 | Stud-Type, Drive | 33 | 3234-11 | 4 | Screw-HHF |
| 16:3 | 254-72 | 2 | Bearing-Cup, Tapered | 34 | 87-2440 | 1 | Bumper-Rubber |
| 17 | 112-1690 | 2 | Seal-Oil | 35 | 302-60 | 2 | Fitting-Grease |
| 18 | 254-94 | 4 | Bearing-Cone, Tapered | 36 | 99-5107 | 4 | Nut-Lock |
| 19 | 93-0309 | 2 | Washer-Tab | 42 | 133-0643 | 12 | Bushing-Flange, O-Ring |
| 20 | 3220-7 | 2 | Nut-Jam | 43 | 237-54 | 12 | O-Ring |



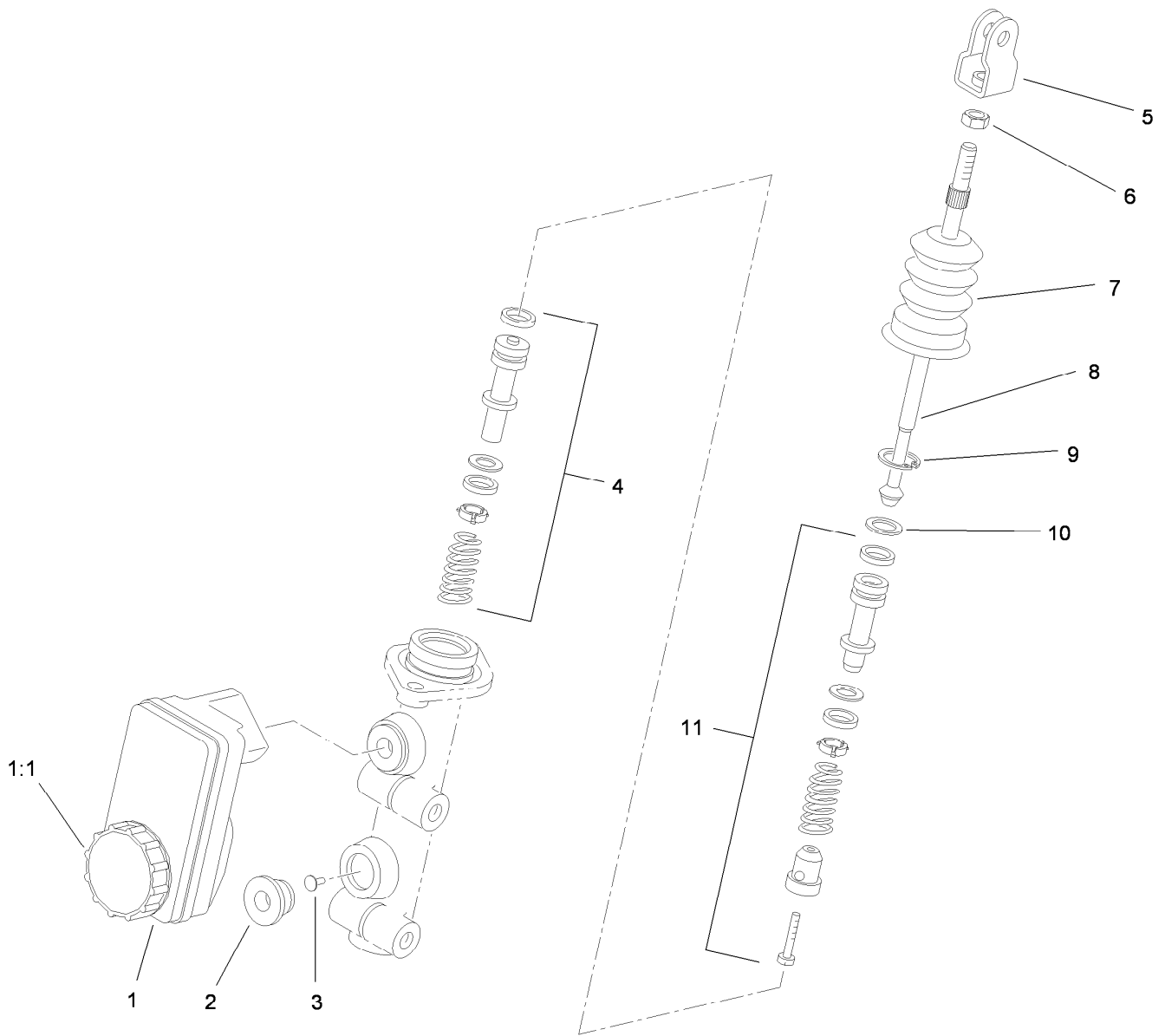
Rear Frame and Suspension Assembly

| <i>Ref.</i> | <i>Part Number</i> | <i>Qty.</i> | <i>Description</i> | <i>Ref.</i> | <i>Part Number</i> | <i>Qty.</i> | <i>Description</i> |
|-------------|--------------------|-------------|----------------------|-------------|--------------------|-------------|--------------------|
| 1 | 133-0610 | 1 | Frame-Rear | 7 | 3234-24 | 4 | Screw-HHF |
| 1:2 | 99-7345 | 2 | Decal-Warning | 8 | 325-10 | 2 | Screw-HH |
| 2 | 115-7614 | 1 | Swing Arm ASM | 9 | 3296-23 | 4 | Nut-Lock, NI |
| 2:2 | 112-3377 | 2 | Bushing-Arm, Control | 10 | 87-7270 | 4 | Washer-Thrust |
| 3 | 133-0553 | 2 | Shock And Spring ASM | 11 | 325-17 | 2 | Screw-HH |
| 4 | 99-7654-03 | 1 | Hitch-Duty, Light | 12 | 325-19 | 2 | Screw-HH |
| 5 | 87-2440 | 2 | Bumper-Rubber | 13 | 3296-45 | 2 | Nut-Hex |
| 6 | 104-8301 | 4 | Nut-HF, NI | 14 | 136-1164 | 1 | Decal-Load, Towing |



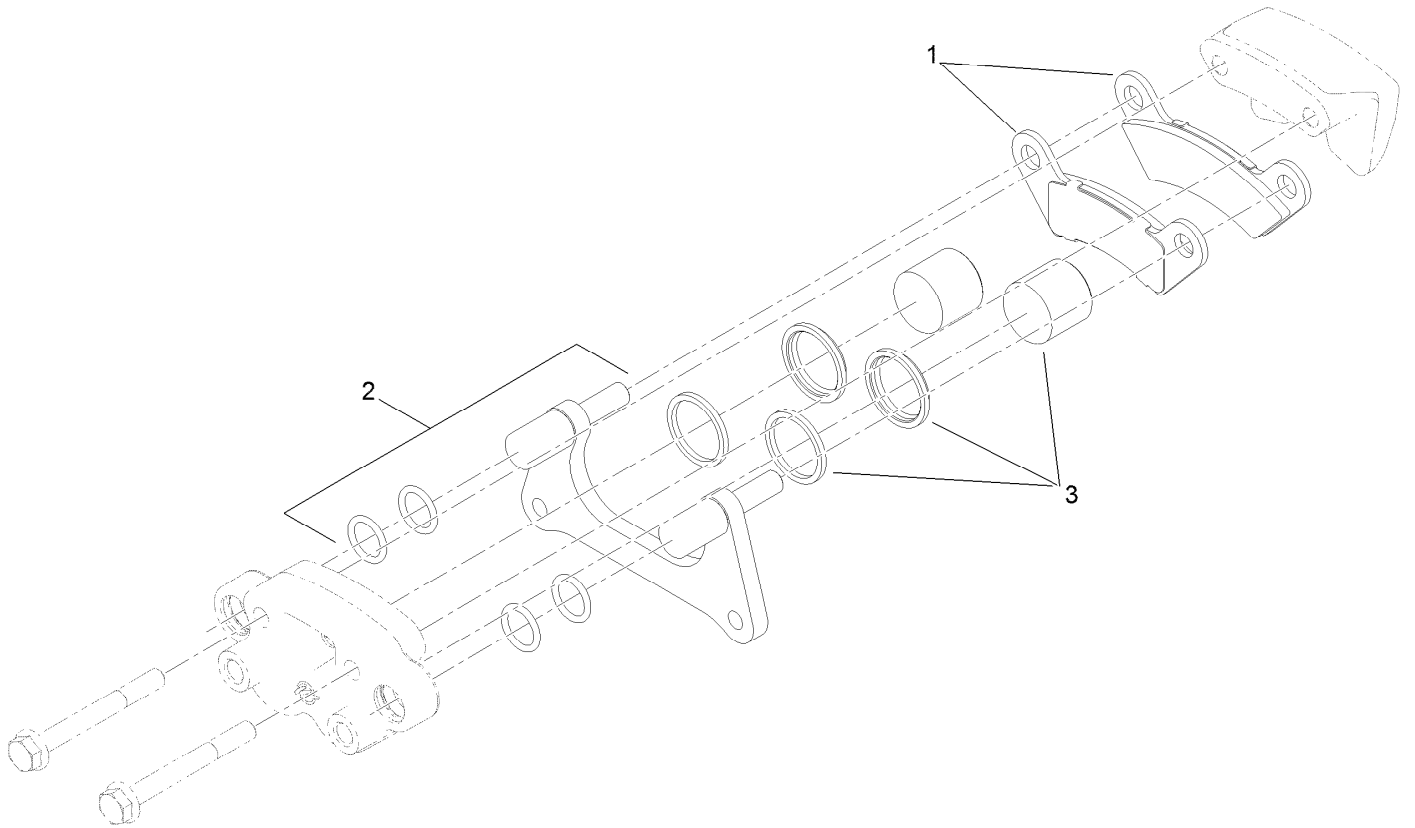
Front Brake Assembly

| Ref. | Part Number | Qty. | Description |
|------|-------------|------|---------------------|
| 1 | 104-6782 | 1 | Master Cylinder ASM |
| 2 | 131-3460 | 2 | Rotor |
| 3 | 121-9671 | 8 | Screw-HSBH |
| 4 | 127-7424 | 2 | Brake Caliper ASM |
| 5 | 3234-1 | 4 | Screw-HHF |
| 6 | 119-9509 | 2 | Screw-Bleed |
| 7 | 115-2341 | 4 | Washer-Banjo |
| 8 | 120-4875 | 2 | Bolt-Flange, Banjo |
| 9 | 323-6 | 2 | Screw-HH |
| 10 | 3290-357 | 2 | Nut-HHF, Whiz |
| 11 | 283-2 | 1 | Pin-Clevis |
| 12 | 3272-10 | 1 | Pin-Cotter |
| 13 | 132-6793 | 1 | Line-Brake, Front |
| 14 | 32144-10 | 3 | Screw-HWH |
| 15 | 32180-030 | 1 | Clip-Tie |



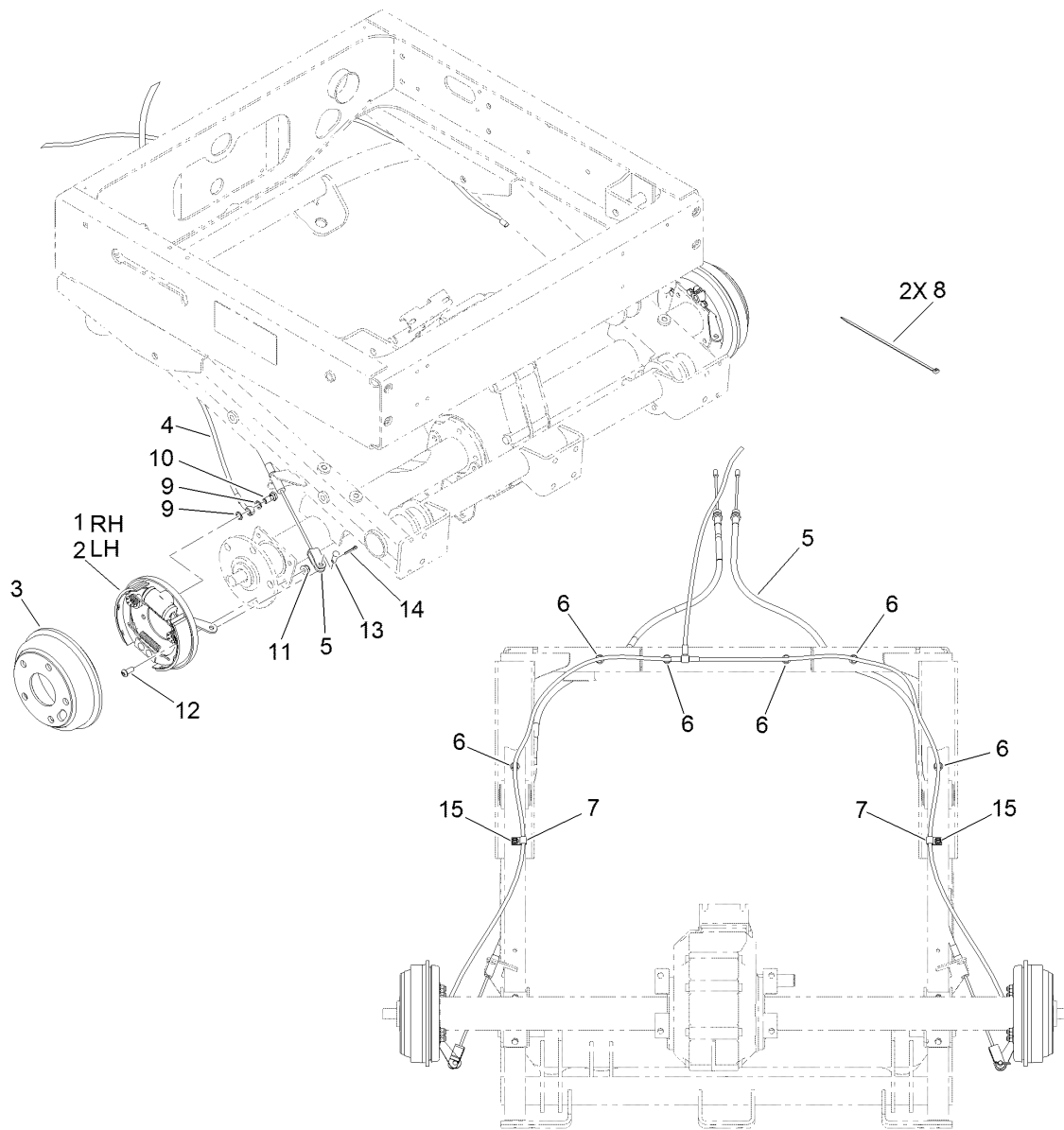
Master Cylinder Assembly No. 104-6782

| Ref. | Part Number | Qty. | Description |
|------|-------------|------|----------------------|
| 1 | 104-6845 | 1 | Reservoir ASM |
| 1:1 | 92-4112 | 1 | Cap ASM |
| 2 | 93-8971 | 2 | Seal-Port, Flange |
| 3 | 92-4103 | 1 | Pin-Stop |
| 4 | 92-4102 | 1 | Secondary Piston ASM |
| 5 | 92-4110 | 1 | Clevis |
| 6 | 21-0360 | 1 | Nut-Hex |
| 7 | 94-5209 | 1 | Cover-Dust |
| 8 | 94-5210 | 1 | Rod-Push |
| 9 | 92-4109 | 1 | Ring-Snap |
| 10 | 92-4108 | 1 | Retainer-Washer |
| 11 | 92-4101 | 1 | Primary Piston ASM |



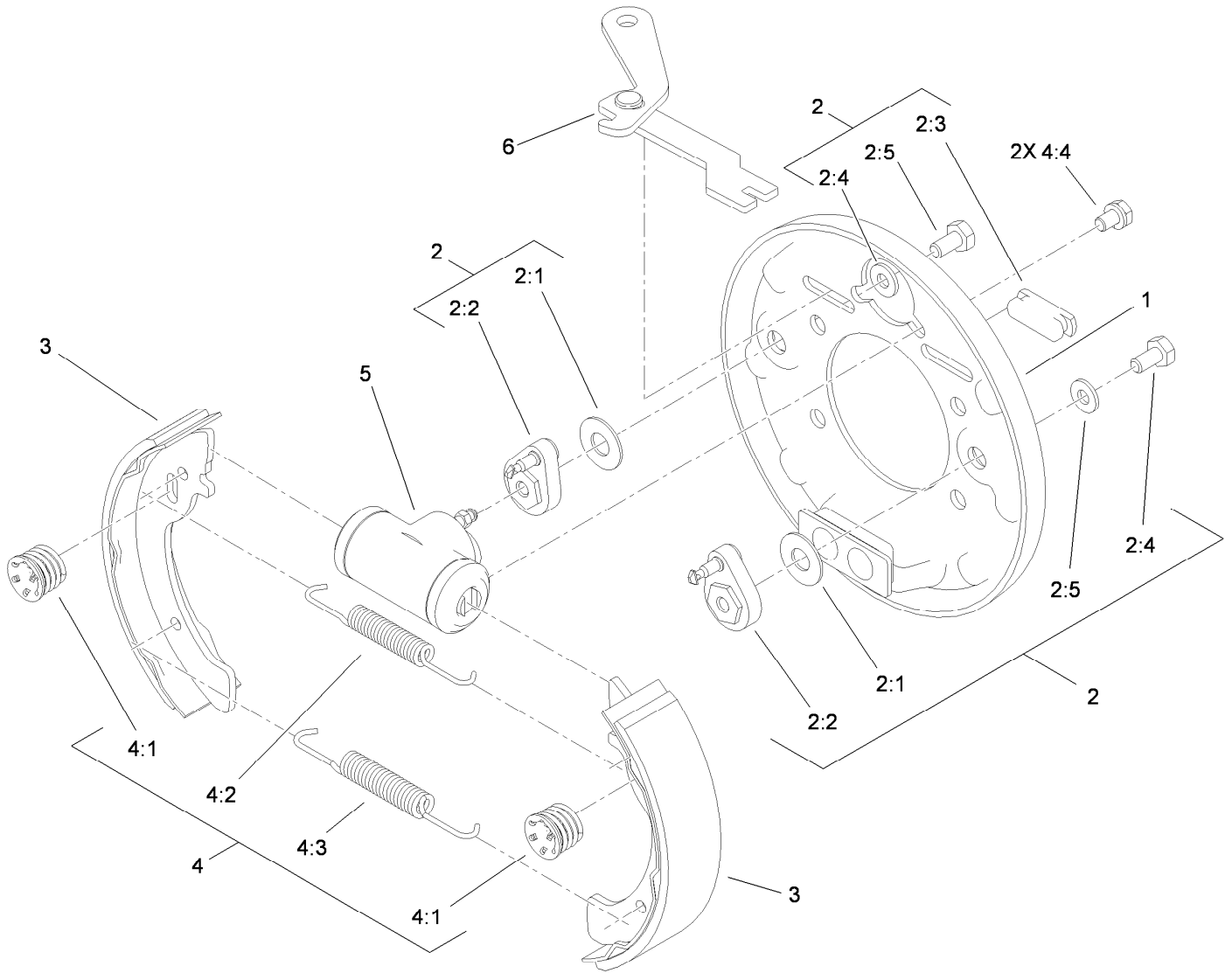
Brake Caliper Assembly No. 127-7424

| <i>Ref.</i> | <i>Part Number</i> | <i>Qty.</i> | <i>Description</i> |
|-------------|--------------------|-------------|--------------------|
| 1 | 119-9510 | 1 | Pads-Brake |
| 2 | 119-9511 | 1 | Bracket Kit |
| 3 | 119-9512 | 1 | Piston Kit |



Rear Brake Assembly

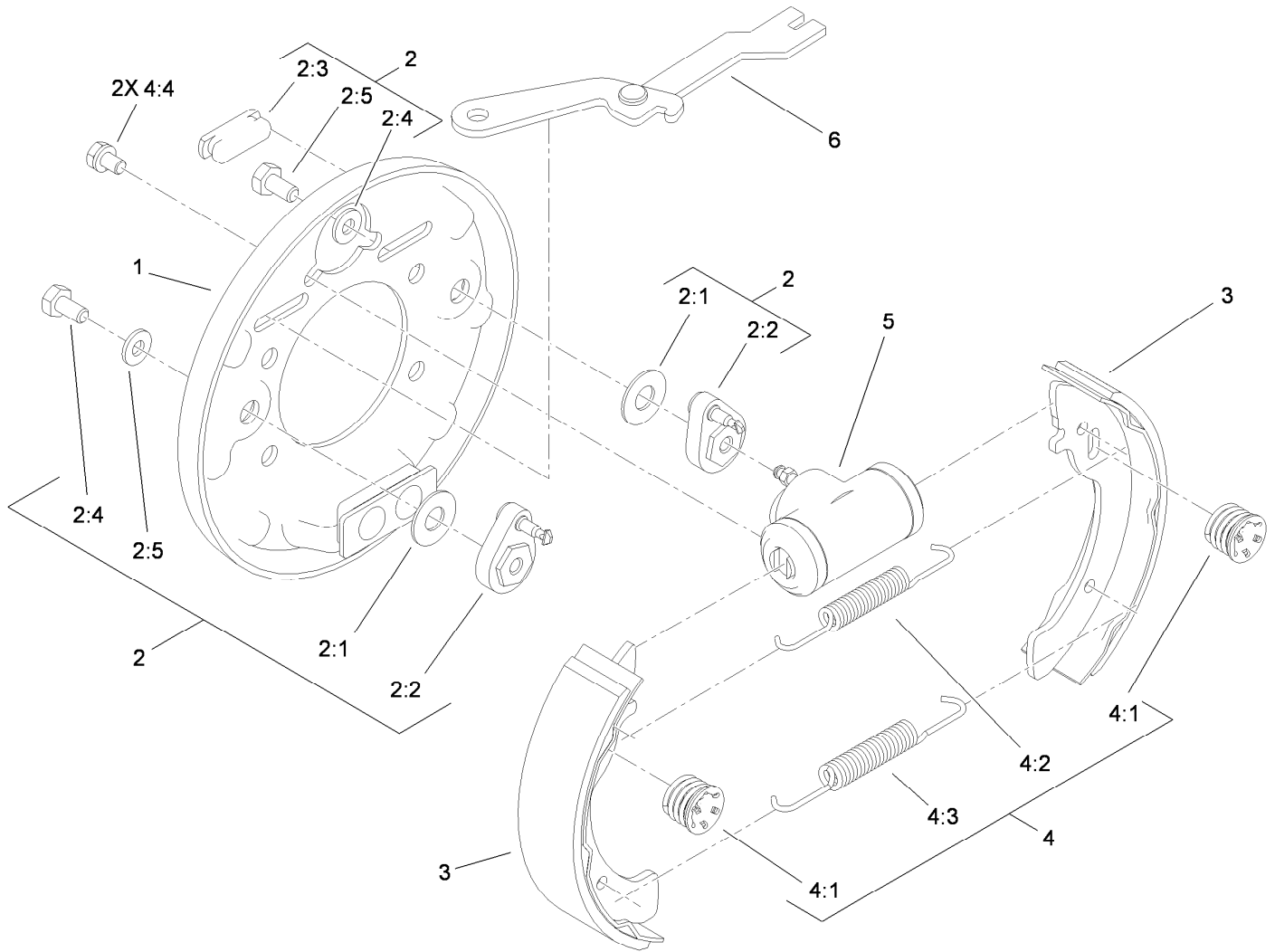
| Ref. | Part Number | Qty. | Description |
|------|-------------|------|-------------------------|
| 1 | 114-8331 | 1 | RH Brake ASM |
| 2 | 114-8332 | 1 | LH Brake ASM |
| 3 | 104-6500 | 2 | Drum-Brake |
| 4 | 112-2926 | 1 | Rear Brake Line ASM |
| 5 | 127-8684 | 2 | Cable-Brake, Adjustable |
| 6 | 32180-030 | 6 | Clip-Tie |
| 7 | 2412-89 | 2 | Clamp-R |
| 8 | 3290-378 | 2 | Tie-Cable |
| 9 | 115-2341 | 4 | Washer-Banjo |
| 10 | 115-2340 | 2 | Bolt-Banjo |
| 11 | 104-8300 | 8 | Nut-HF, NI |
| 12 | 3274-55 | 8 | Screw-HSBH |
| 13 | 283-62 | 2 | Pin-Clevis |
| 14 | 3272-10 | 2 | Pin-Cotter |
| 15 | 32104-17 | 2 | Screw-HWH |



RH Rear Brake Assembly No. 114-8331

| Ref. | Part Number | Qty. | Description |
|------|-------------|------|---------------------------|
| 1 | 100-8586 | 1 | Backing Plate ASM |
| 2 | 104-6820 | 1 | Adjuster Kit |
| 2:1 | 100-8585 | 2 | Washer-Bellville |
| 2:2 | 100-8588 | 2 | Adjuster Lever ASM |
| 2:3 | 100-8584 | 2 | Cover-Dust |
| 2:4 | | 2 | Washer ● |
| 2:5 | | 2 | Bolt ● |
| 3 | 104-6818 | 4 | Shoe And Lining Kit |
| 4 | 104-6819 | 1 | Hardware Kit |
| 4:1 | 100-8583 | 2 | Shoe Hold Down Spring ASM |
| 4:2 | 100-8581 | 2 | Spring-Upper |
| 4:3 | 100-8582 | 2 | Spring-Lower |
| 4:4 | | 2 | Bolt And Washer ● |
| 5 | 114-8333 | 1 | Wheel Cylinder ASM |
| 6 | 104-6826 | 1 | RH Park Brake Lever ASM |

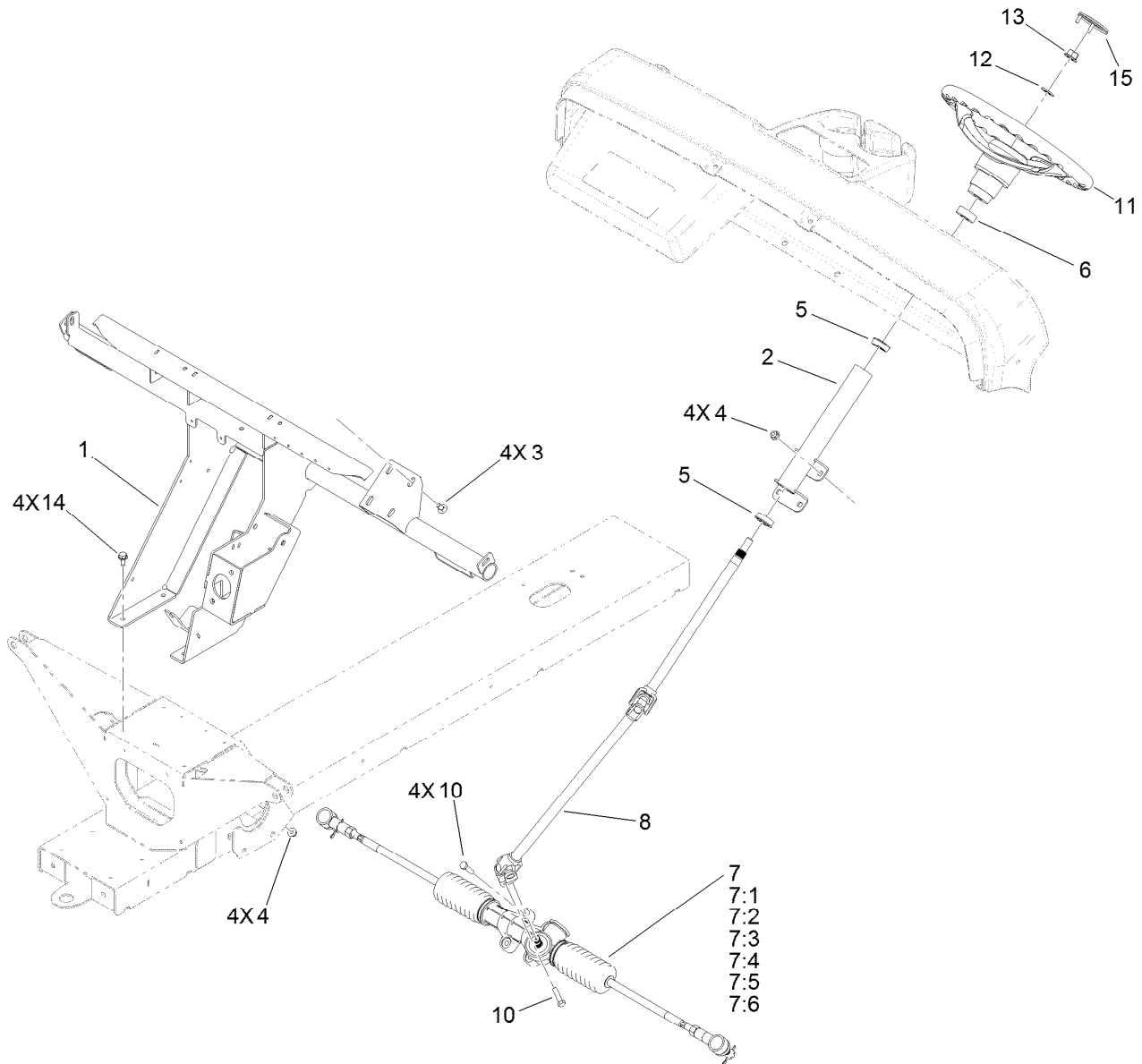
● Not serviced separately



LH Rear Brake Assembly No. 114-8332

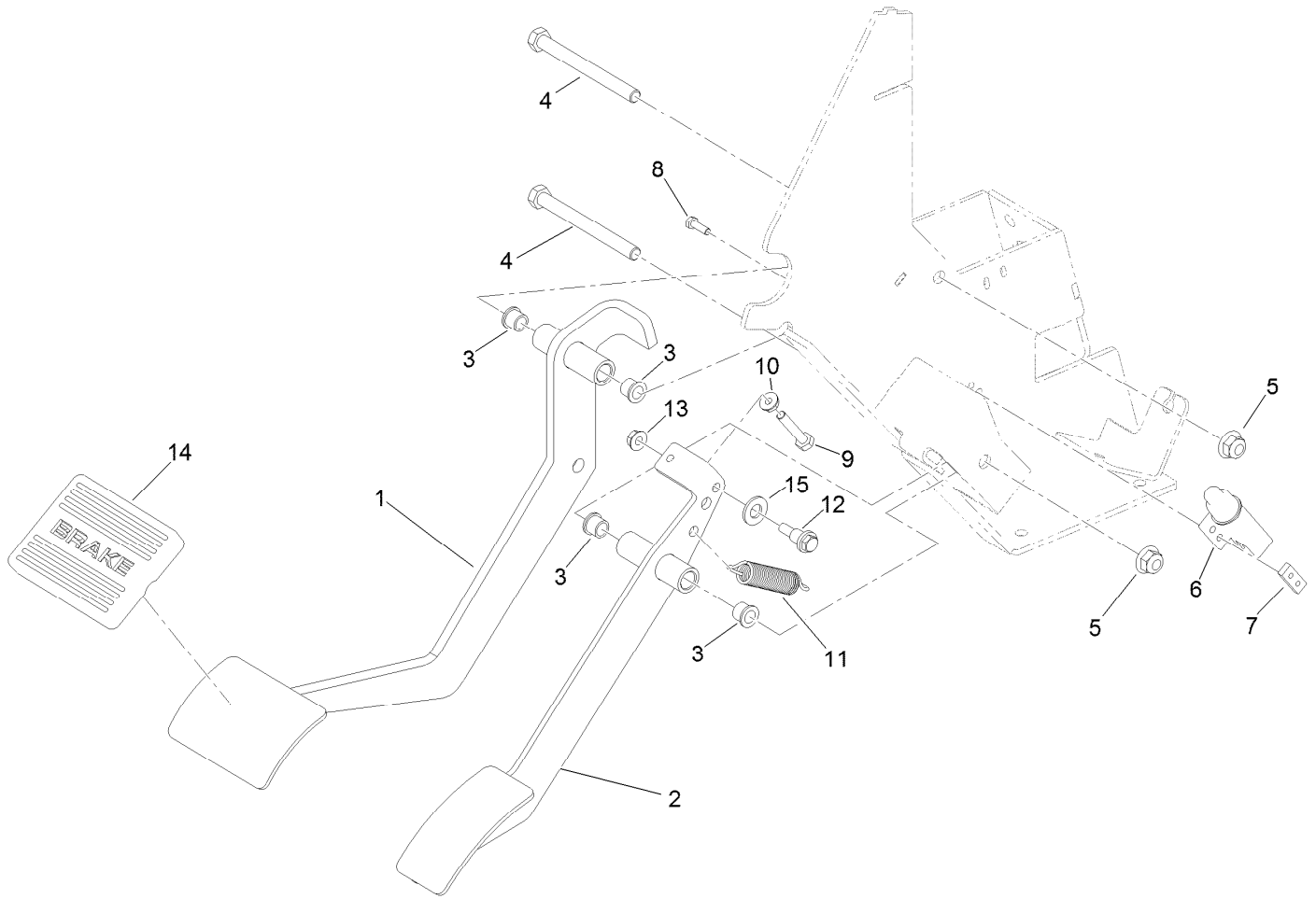
| Ref. | Part Number | Qty. | Description |
|------|-------------|------|---------------------------|
| 1 | 100-8586 | 1 | Backing Plate ASM |
| 2 | 104-6820 | 1 | Adjuster Kit |
| 2:1 | 100-8585 | 2 | Washer-Bellville |
| 2:2 | 100-8588 | 2 | Adjuster Lever ASM |
| 2:3 | 100-8584 | 2 | Cover-Dust |
| 2:4 | | 2 | Washer ● |
| 2:5 | | 2 | Bolt ● |
| 3 | 104-6818 | 4 | Shoe And Lining Kit |
| 4 | 104-6819 | 1 | Hardware Kit |
| 4:1 | 100-8583 | 2 | Shoe Hold Down Spring ASM |
| 4:2 | 100-8581 | 2 | Spring-Upper |
| 4:3 | 100-8582 | 2 | Spring-Lower |
| 4:4 | | 2 | Bolt And Washer ● |
| 5 | 114-8333 | 1 | Wheel Cylinder ASM |
| 6 | 104-6825 | 1 | LH Park Brake Lever ASM |

● Not serviced separately



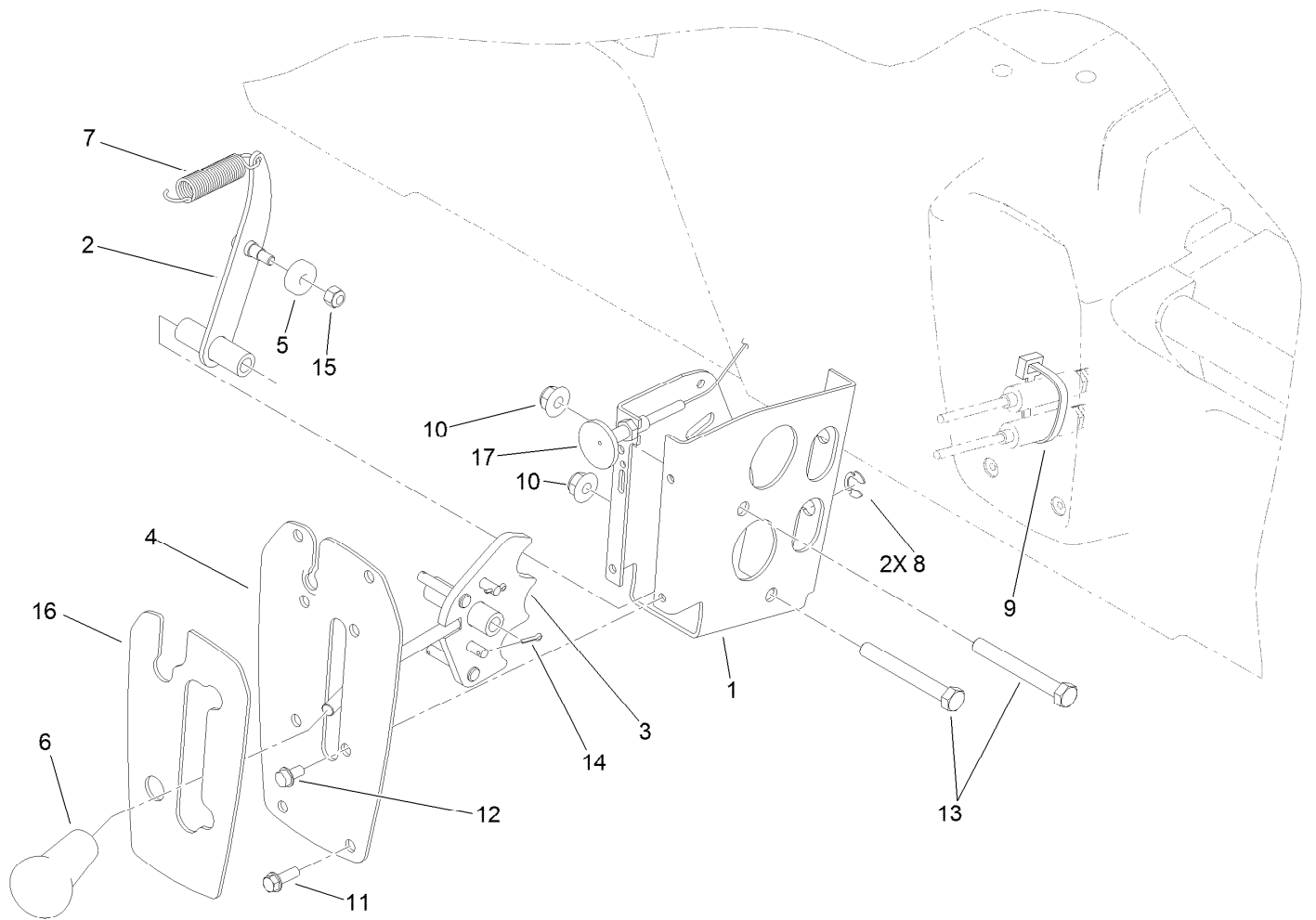
Steering Assembly

| Ref. | Part Number | Qty. | Description | Ref. | Part Number | Qty. | Description |
|------|-------------|------|----------------------|------|-------------|------|----------------------|
| 1 | 132-6740-03 | 1 | Support-Dash | 7:4 | 133-0604 | 2 | Clamp-Bellows, Outer |
| 2 | 132-6760-03 | 1 | Column-Steering | 7:5 | 133-0603 | 2 | Track Tie Rod |
| 3 | 3230-1 | 4 | Bolt-CARR | 7:6 | 133-0602 | 2 | End-Rod, Track |
| 4 | 104-8300 | 8 | Nut-HF, NI | 8 | 132-6763 | 1 | Shaft-Steering |
| 5 | 112-3262 | 2 | Bearing | 10 | 322-6 | 5 | Screw-HH |
| 6 | 21-9260 | 1 | Cover-Dust | 11 | 131-0957 | 1 | Wheel-Steering |
| 7 | 133-0576 | 1 | Steering Rack ASM | 12 | 3256-26 | 1 | Washer-Flat |
| 7:1 | 133-0607 | 1 | Seal-Shaft | 13 | 99-5107 | 1 | Nut-Lock |
| 7:2 | 133-0606 | 2 | Bellows | 14 | 32144-70 | 4 | Screw-HWHTF |
| 7:3 | 133-0605 | 2 | Clamp-Bellows, Inner | 15 | 131-3630 | 1 | Cap-Wheel, Steering |



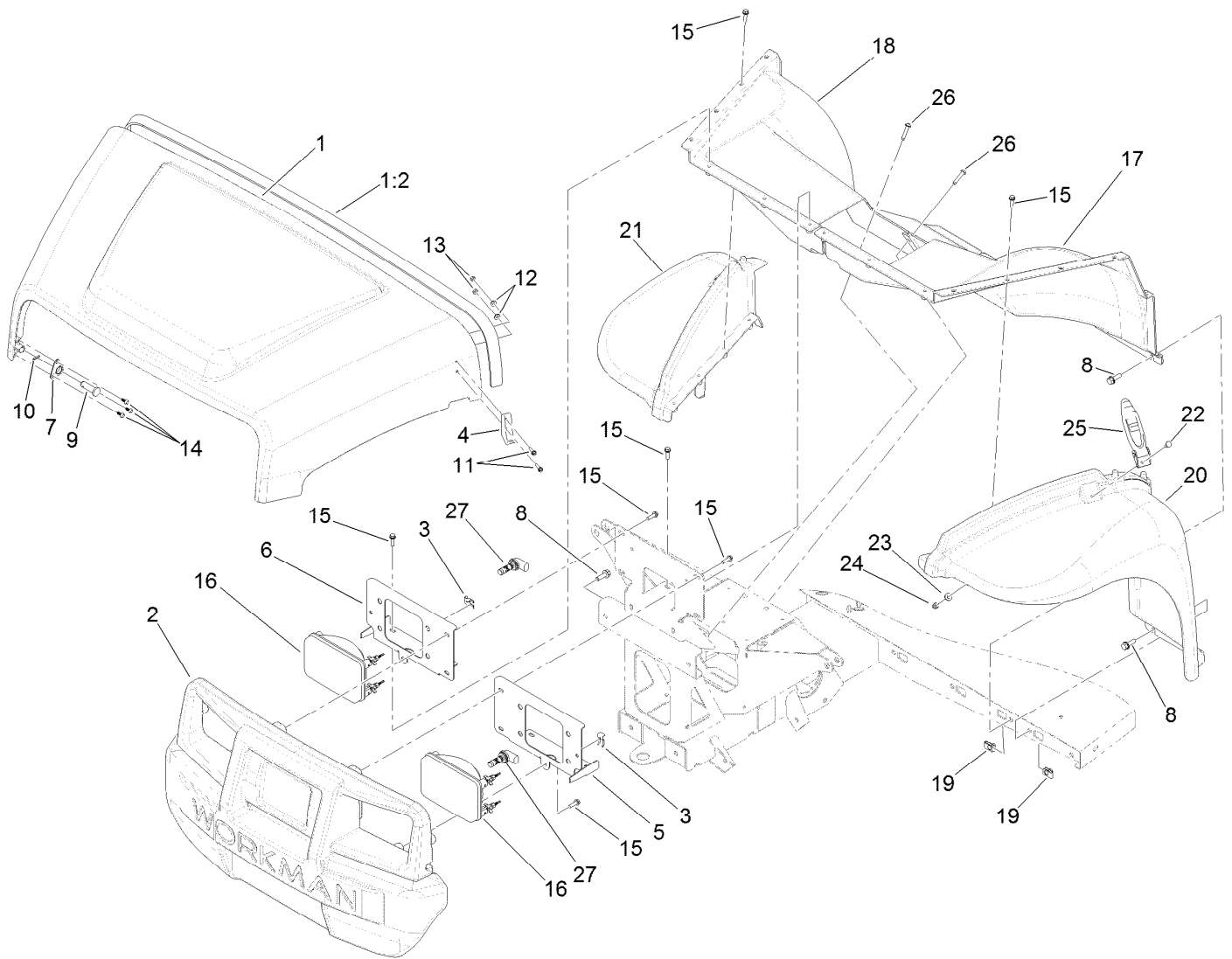
Pedal Assembly

| <i>Ref.</i> | <i>Part Number</i> | <i>Qty.</i> | <i>Description</i> |
|-------------|--------------------|-------------|----------------------|
| 1 | 132-6753-03 | 1 | Pedal-Brake |
| 2 | 132-6751-03 | 1 | Pedal-Throttle |
| 3 | 256-116 | 4 | Bushing-Flange |
| 4 | 323-16 | 2 | Screw-HH |
| 5 | 104-8301 | 2 | Nut-HF, NI |
| 6 | 99-7407 | 1 | Switch |
| 7 | 1-633181 | 1 | Plate-Tapped |
| 8 | 3290-134 | 2 | Screw |
| 9 | 321-13 | 1 | Screw-HH |
| 10 | 32149-2 | 1 | Nut-Keps |
| 11 | 104-6415 | 1 | Spring-Return, Pedal |
| 12 | 104-0858 | 1 | Bolt-Shoulder |
| 13 | 32128-33 | 1 | Nut-HF |
| 14 | 7-3900 | 1 | Pad-Brake |
| 15 | 3256-24 | 1 | Washer-Flat |



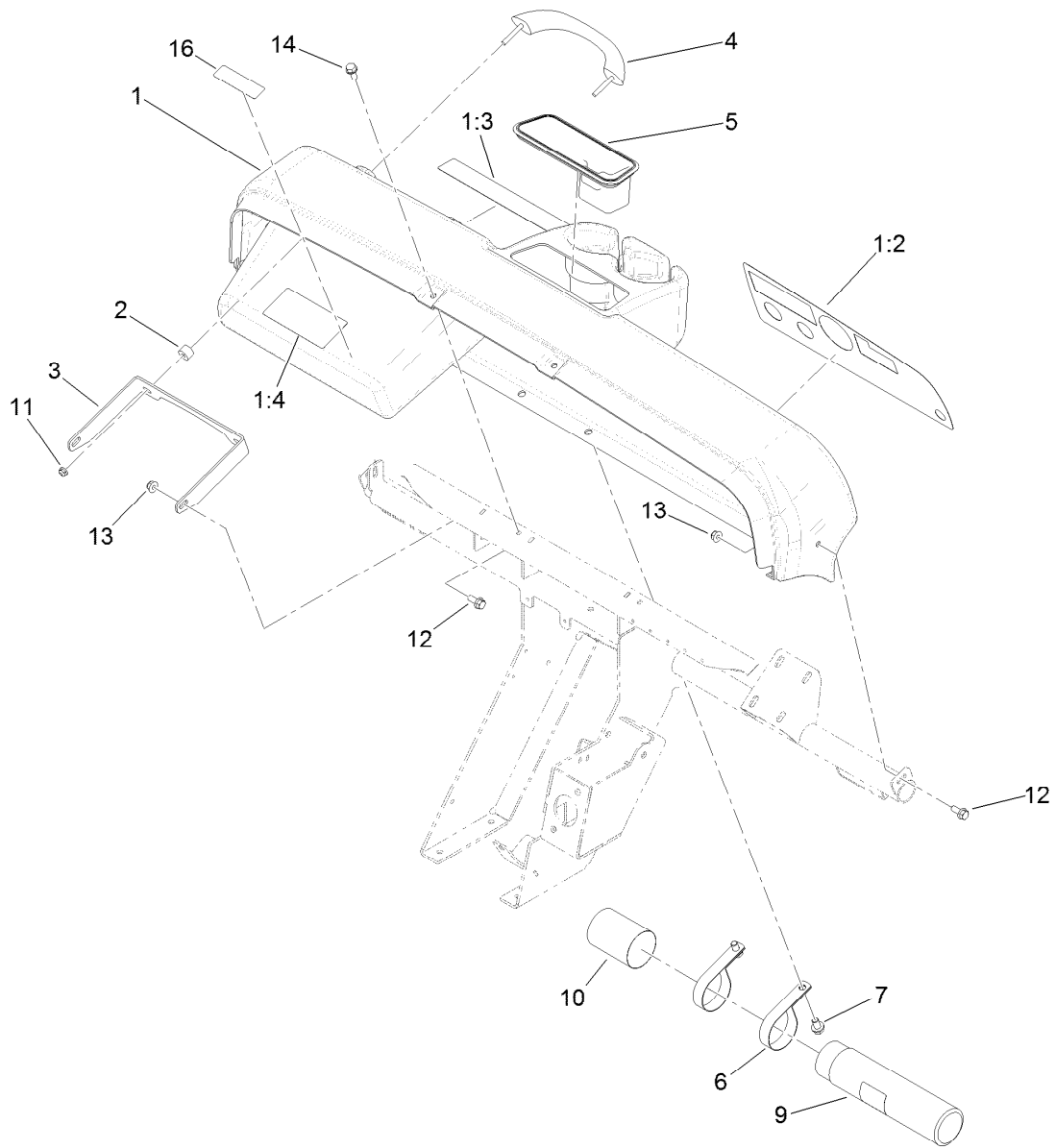
Shifter Assembly

| <i>Ref.</i> | <i>Part Number</i> | <i>Qty.</i> | <i>Description</i> | <i>Ref.</i> | <i>Part Number</i> | <i>Qty.</i> | <i>Description</i> |
|-------------|--------------------|-------------|----------------------|-------------|--------------------|-------------|--------------------|
| 1 | 108-3141-03 | 1 | Bracket-Shift | 10 | 104-8301 | 2 | Nut-HF, NI |
| 2 | 108-3138 | 1 | Arm-Detent | 11 | 32105-15 | 4 | Screw-HWH |
| 3 | 114-2719 | 1 | Plate-Detent | 12 | 32144-4 | 4 | Screw-HWH |
| 4 | 99-7887-03 | 1 | Plate-Shifter | 13 | 323-14 | 2 | Screw-HH |
| 5 | 251-307 | 1 | Bearing-Ball | 14 | 3272-5 | 2 | Pin-Cotter |
| 6 | 99-7981 | 1 | Knob-Grip, Soft | 15 | 3296-42 | 1 | Nut-Lock, NI |
| 7 | 104-6415 | 1 | Spring-Return, Pedal | 16 | 99-7952 | 1 | Decal-Shifter |
| 8 | 32151-101 | 2 | E-Ring | 17 | 99-7111 | 1 | Cable-Choke |
| 9 | 3290-378 | 1 | Tie-Cable | | | | |



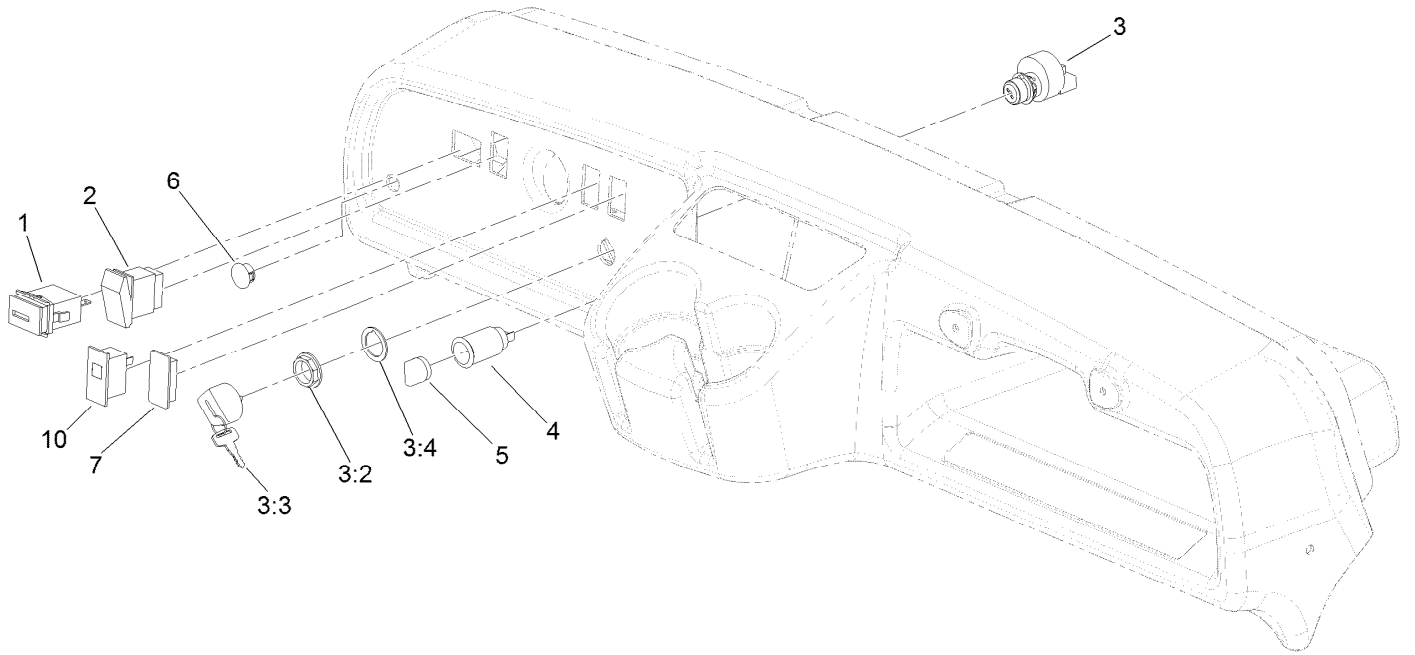
Hood and Fender Assembly

| <i>Ref.</i> | <i>Part Number</i> | <i>Qty.</i> | <i>Description</i> | <i>Ref.</i> | <i>Part Number</i> | <i>Qty.</i> | <i>Description</i> |
|-------------|--------------------|-------------|-----------------------|-------------|--------------------|-------------|--------------------|
| 1 | 133-0567 | 1 | Hood ASM | 14 | 121-9605 | 6 | Screw-HWH |
| 1:2 | 115-7635 | 1 | Seal-Foam | 15 | 46-8091 | 24 | Screw-HWH |
| 2 | 132-8530 | 1 | Bumper | 16 | 132-6703 | 2 | Headlight ASM |
| 3 | 115-2408 | 6 | Clip-Speed | 17 | 132-6775 | 1 | Fender-Inner, LH |
| 4 | 103-2897 | 2 | Latch-Catch | 18 | 132-6776 | 1 | Fender-Inner, RH |
| 5 | 132-6788-03 | 1 | Bracket-Headlight, LH | 19 | 112-3306 | 10 | Nut |
| 6 | 132-6789-03 | 1 | Bracket-Headlight, RH | 20 | 112-3371 | 1 | Fender-LH |
| 7 | 112-3308 | 2 | Retainer-Pin | 21 | 112-3370 | 1 | Fender-RH |
| 8 | 3234-29 | 12 | Screw-HHF | 22 | 321-39 | 2 | Screw-HH |
| 9 | 117-5094 | 2 | Pin-Clevis | 23 | 3256-22 | 2 | Washer-Flat |
| 10 | 32121-50 | 2 | Pin-Spring | 24 | 3296-42 | 2 | Nut-Lock, NI |
| 11 | 32105-13 | 4 | Screw-HWH | 25 | 115-2416 | 2 | Latch-Rubber |
| 12 | 3256-14 | 4 | Washer-Flat | 26 | 132-6777 | 4 | Screw-TTH |
| 13 | 3296-2 | 4 | Nut-Lock, NI | 27 | 133-0574 | 2 | Bulb-LED |



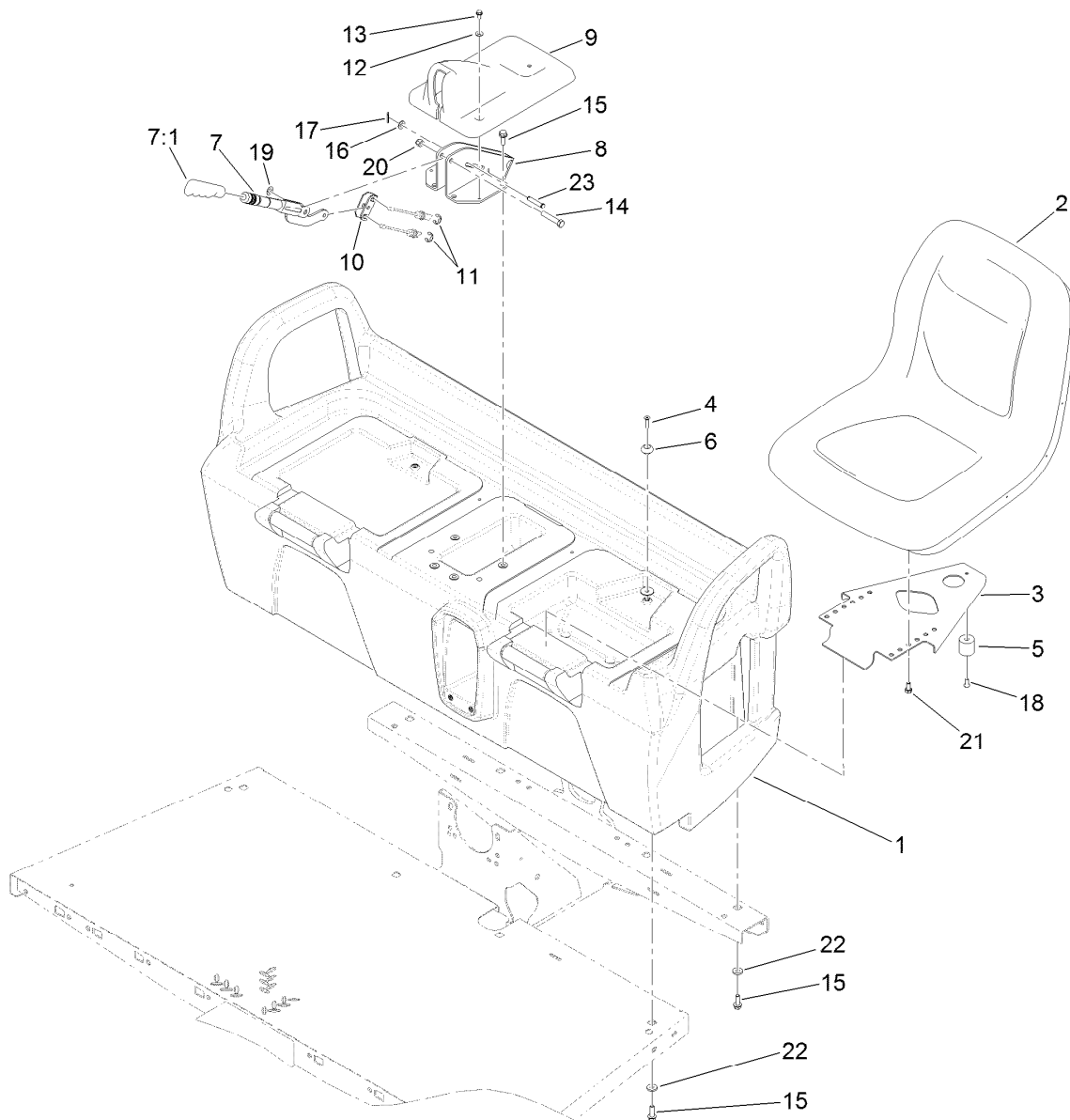
Dash Assembly

| <i>Ref.</i> | <i>Part Number</i> | <i>Qty.</i> | <i>Description</i> | <i>Ref.</i> | <i>Part Number</i> | <i>Qty.</i> | <i>Description</i> |
|-------------|--------------------|-------------|----------------------|-------------|--------------------|-------------|--------------------|
| 1 | 114-8310 | 1 | Dash ASM | 7 | 32144-69 | 2 | Screw-HWHTF |
| 1:2 | 117-5001 | 1 | Decal-Panel, Control | 9 | 104-7050 | 1 | Tube-Manual |
| 1:3 | 121-9775 | 1 | Decal-Danger | 10 | 104-7048 | 1 | Cap-Housing |
| 1:4 | 115-2412 | 1 | Decal-No Storage | 11 | 104-7201 | 2 | Nut-HF |
| 2 | 114-8301 | 2 | Spacer | 12 | 110-5053 | 3 | Screw-HHF |
| 3 | 112-3391-03 | 1 | Bracket-Grip, Handle | 13 | 104-8300 | 3 | Nut-HF, NI |
| 4 | 112-3320 | 1 | Handle-Grip | 14 | 32144-11 | 6 | Screw-HWH |
| 5 | 104-6930 | 1 | Plug-Rubber | 16 | 112-3325 | 1 | Decal-Block, Fuse |
| 6 | 2412-133 | 2 | Clamp-R | | | | |



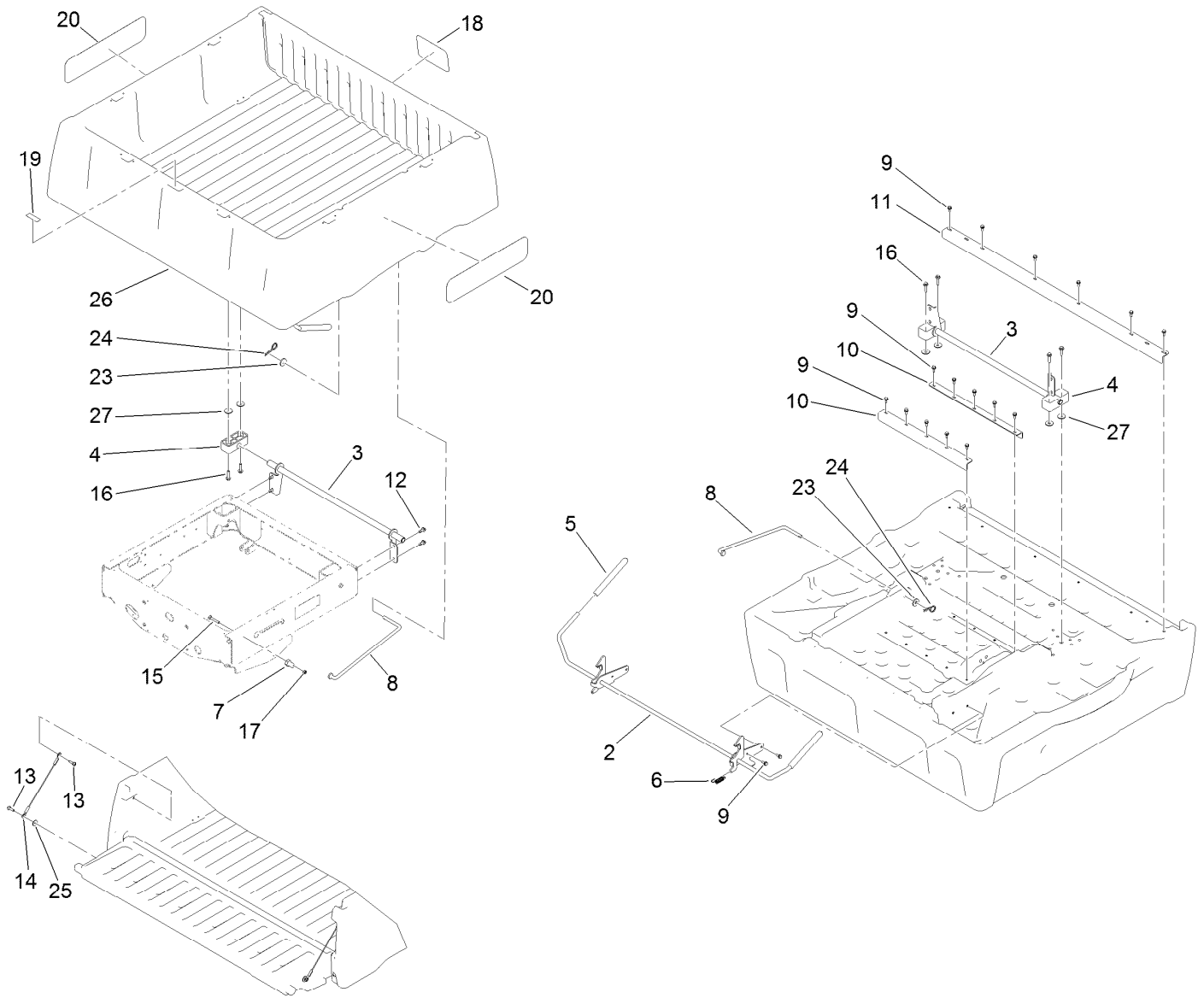
Control Panel Assembly

| <i>Ref.</i> | <i>Part Number</i> | <i>Qty.</i> | <i>Description</i> |
|-------------|--------------------|-------------|-----------------------------------|
| 1 | 94-4208 | 1 | Hourmeter |
| 2 | 95-8999 | 1 | Switch |
| 3 | 120-3956 | 1 | Ignition Switch ASM |
| 3:2 | 108-8660 | 1 | Nut-Mounting |
| 3:3 | 106-5270 | 1 | Ignition Key Set |
| 3:4 | 108-8659 | 1 | Washer-Backup |
| 4 | 99-7411 | 1 | Point-Power |
| 5 | 99-7416 | 1 | Cap |
| 6 | 94-5627 | 1 | Plug |
| 7 | 99-7420 | 1 | Plug-Hole |
| 10 | 99-7410 | 1 | Indicator-Light, Low-Oil Pressure |



Seatbase Assembly

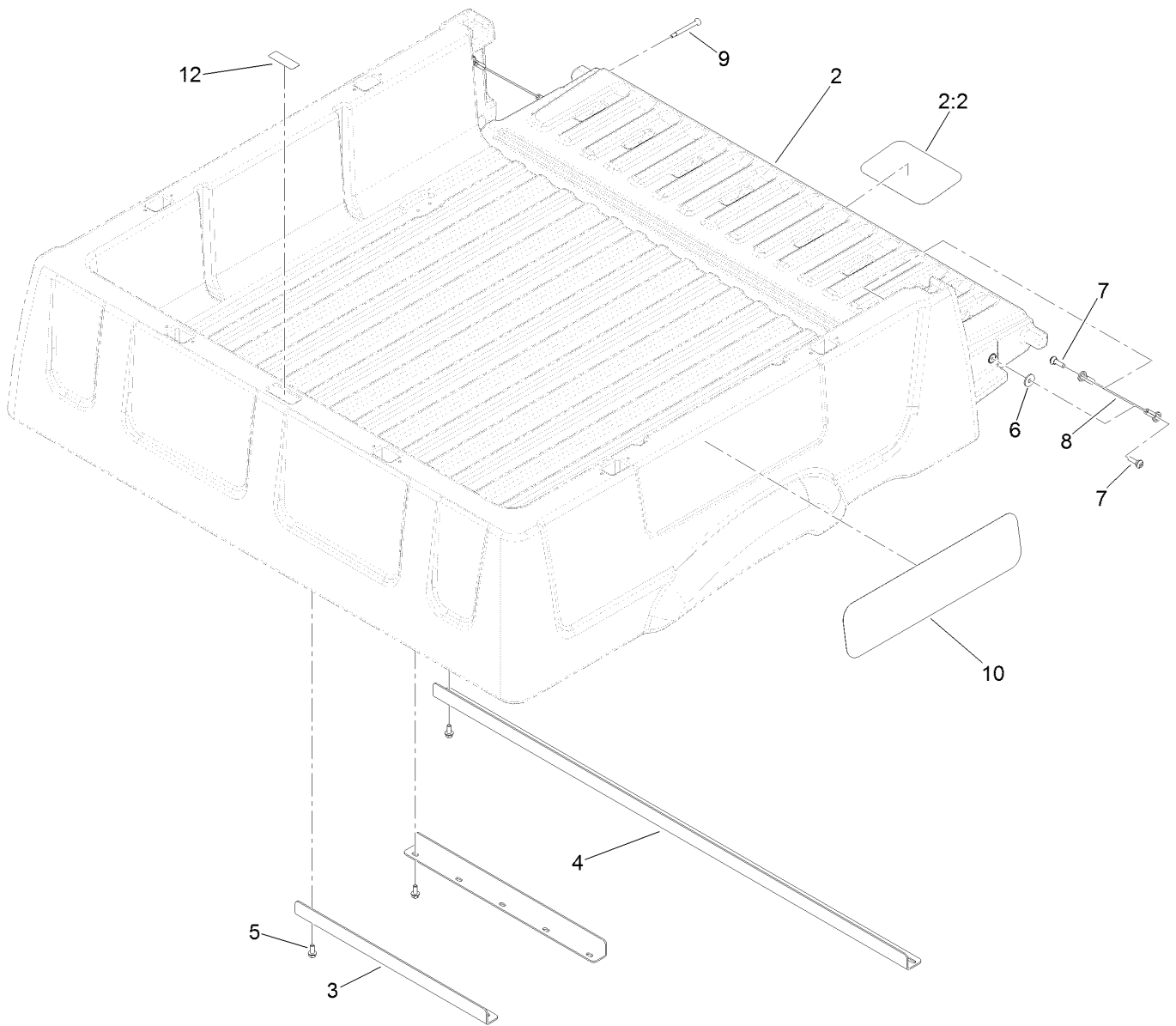
| <i>Ref.</i> | <i>Part Number</i> | <i>Qty.</i> | <i>Description</i> | <i>Ref.</i> | <i>Part Number</i> | <i>Qty.</i> | <i>Description</i> |
|-------------|--------------------|-------------|--------------------------|-------------|--------------------|-------------|--------------------|
| 1 | 104-6847 | 1 | Base-Seat | 12 | 3256-1 | 4 | Washer-Flat |
| 2 | 133-0577 | 2 | Seat ASM | 13 | 32144-4 | 2 | Screw-HWH |
| 3 | 99-7829 | 2 | Bracket-Seat | 14 | 323-10 | 1 | Screw-HH |
| 4 | 32108-5 | 2 | Screw-FH | 15 | 3234-17 | 12 | Screw-HHF |
| 5 | 99-7830 | 2 | Receptical-Rubber | 16 | 3256-23 | 1 | Washer-Plain |
| 6 | 99-7833 | 2 | Post-Holding | 17 | 3272-6 | 1 | Pin-Cotter |
| 7 | 127-8863 | 1 | Lever-Brake, Park | 18 | 3290-412 | 2 | Rivet-Blind |
| 7:1 | 127-8864 | 1 | Grip-Handle | 19 | 3290-477 | 1 | Washer-Curved |
| 8 | 104-6844-03 | 1 | Support-Brake, Park | 20 | 3296-39 | 1 | Nut-Lock, NI |
| 9 | 104-7014 | 1 | Cover-Brake, Parking | 21 | 33114-016 | 8 | Screw-HH |
| 10 | 87-3480 | 1 | Bracket-Equalizer, Cable | 22 | 88-7200 | 8 | Washer-Flat |
| 11 | 32120-47 | 2 | Ring-Retaining, External | 23 | 94-3829 | 1 | Pin-Clevis |



Cargo Bed Assembly

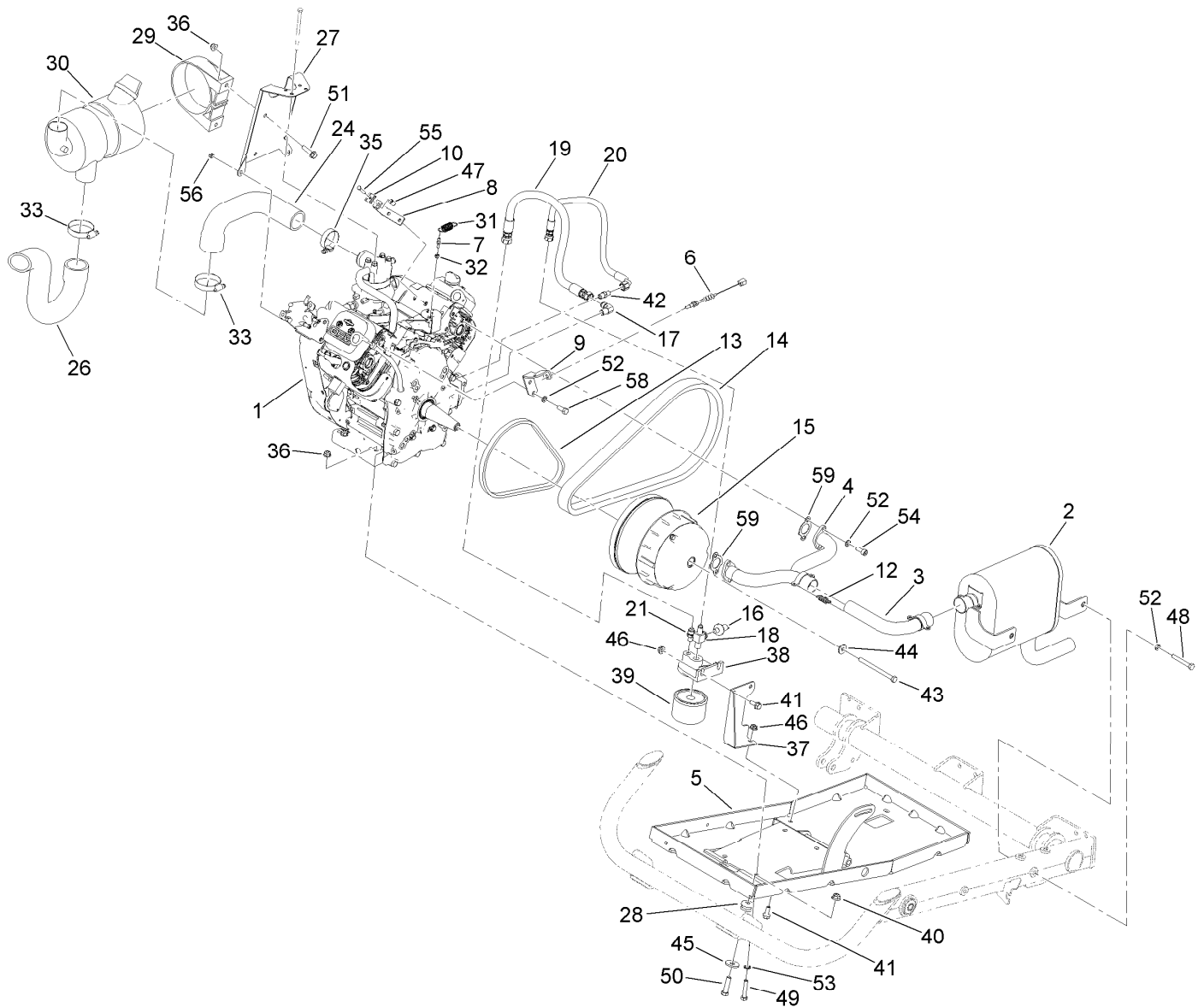
| Ref. | Part Number | Qty. | Description |
|------|-------------|------|----------------------|
| 2 | 121-6344 | 1 | Latch |
| 3 | 119-0848-03 | 1 | Bracket-Pivot |
| 4 | 121-6342 | 2 | Bushing-Pivot |
| 5 | 119-9627 | 2 | Grip-Handle |
| 6 | 5-7290 | 2 | Spring-Tension |
| 7 | 104-7248 | 2 | Pin-Latch |
| 8 | 121-6316 | 1 | Rod-Prop |
| 9 | 3234-5 | 20 | Screw-HHF |
| 10 | 121-6314-03 | 2 | Brace-Bed, Middle |
| 11 | 121-6315-03 | 1 | Brace-Bed, Rear |
| 12 | 105-6245 | 4 | Screw-Tapping |
| 13 | 119-2267 | 4 | Screw-Shoulder, BHTF |

| Ref. | Part Number | Qty. | Description |
|------|-------------|------|------------------------|
| 14 | 121-6343 | 2 | Lanyard-Tailgate |
| 15 | 3230-7 | 2 | Bolt-CARR |
| 16 | 3234-18 | 4 | Screw-HHF |
| 17 | 3296-29 | 2 | Nut-Lock, NI |
| 18 | 104-7213 | 1 | Decal |
| 19 | 115-7739 | 1 | Decal-No Riders |
| 20 | 119-9450 | 2 | Decal |
| 23 | 110-6147 | 1 | Washer-Flat |
| 24 | 107-3155 | 1 | Hairpin |
| 25 | 115-7109 | 2 | Washer-Flat |
| 26 | 133-0560 | 1 | Cargo Bed/Tailgate ASM |
| 27 | 87-5330 | 4 | Washer |



Cargo Bed and Tailgate Service Assembly No. 133-0560

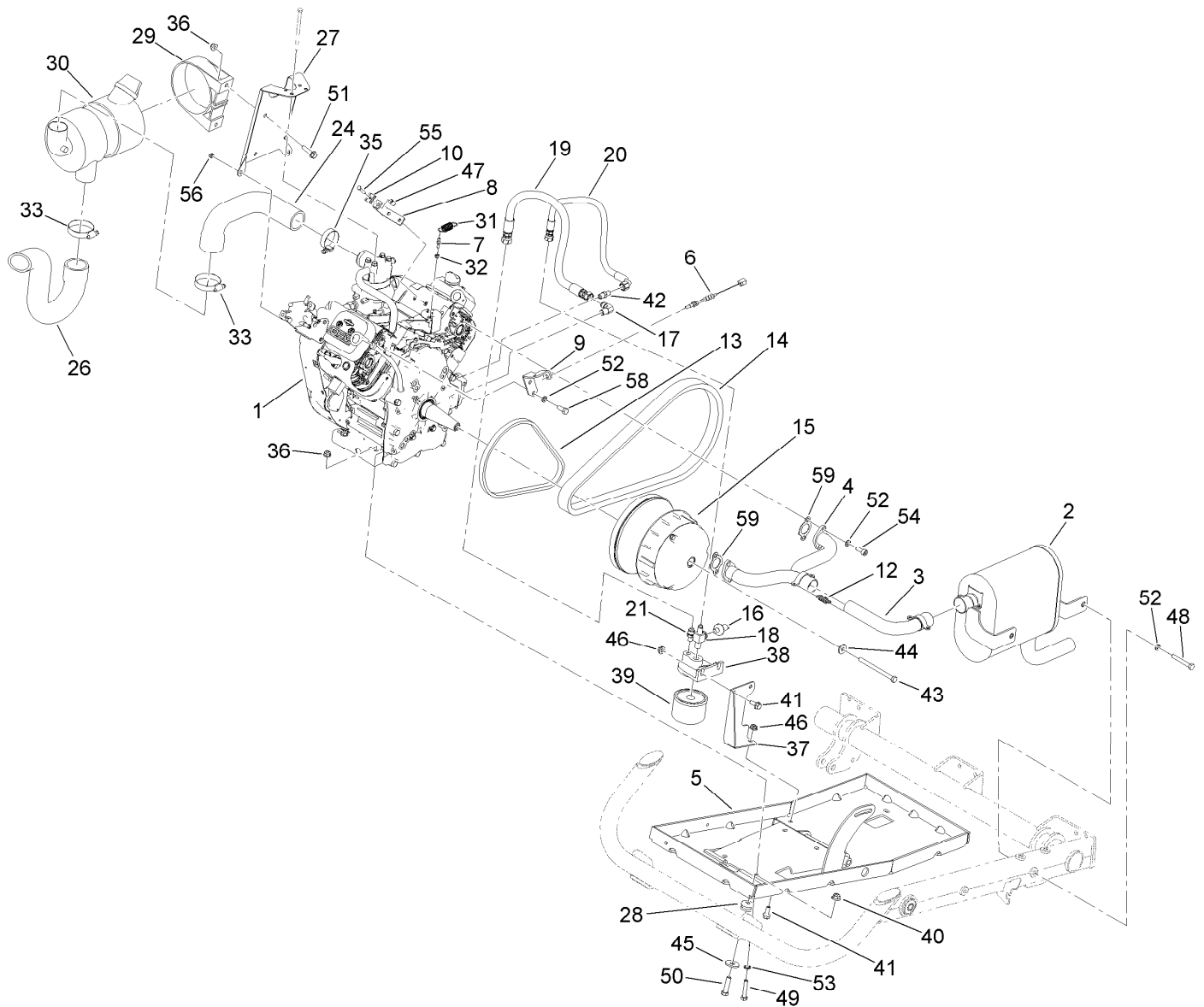
| Ref. | Part Number | Qty. | Description |
|------|-------------|------|---------------------------|
| 2 | 133-0561 | 1 | Tailgate ASM W/Decals |
| 2:2 | 104-7213 | 1 | Decal |
| 3 | 121-6314-03 | 2 | Brace-Bed, Middle |
| 4 | 121-6315-03 | 1 | Brace-Bed, Rear |
| 5 | 3234-5 | 16 | Screw-HHF |
| 6 | 115-7109 | 2 | Washer-Flat |
| 7 | 119-2267 | 4 | Screw-Shoulder, BHTF |
| 8 | 121-6343 | 2 | Lanyard-Tailgate |
| 9 | 127-7383 | 2 | Screw-Shoulder, Bh (Torx) |
| 10 | 120-4825 | 2 | Decal |
| 12 | 115-7739 | 1 | Decal-No Riders |



Engine, Clutch and Air Cleaner Assembly

| Ref. | Part Number | Qty. | Description | Ref. | Part Number | Qty. | Description |
|------|-------------|------|---------------------------------|------|-------------|------|----------------------------------|
| 1 | 132-6795 | 1 | Engine-Briggs And Stratton ● | 19 | 119-0831 | 1 | Hose-HYD |
| 2 | 119-0746 | 1 | Muffler | 20 | 119-0832 | 1 | Hose-HYD |
| 3 | 119-0717 | 1 | Pipe-Exhaust | 21 | 119-0833 | 1 | Fitting-Straight |
| 4 | 104-6476 | 1 | Manifold-Engine | 24 | 131-6696 | 1 | Hose-Air Intake |
| 5 | 119-0709-03 | 1 | Tray-Engine | 26 | 115-7623 | 1 | Hose-Intake |
| 6 | 115-7612 | 1 | Cable-Accelerator | 27 | 132-6796-03 | 1 | Bracket-Cleaner, Air |
| 7 | 99-7847 | 1 | Ball-Stud | 28 | 63-9750 | 2 | Mount |
| 8 | 107-0319 | 1 | Bracket-Cable | 29 | 95-5806 | 1 | Bracket-Mounting, Air Cleaner |
| 9 | 115-2393 | 1 | Bracket-Cable | 30 | 99-7120 | 1 | Air Cleaner ASM |
| 10 | 81-1690 | 1 | Clamp-Cable | 31 | 71-5470 | 1 | Spring-Brake |
| 12 | 104-6478 | 4 | Spring-Extension | 32 | 110-2619 | 1 | Keeper-Spring |
| 13 | 121-9778 | 1 | Belt-V | 33 | 2412-130 | 2 | Clamp-Hose |
| 14 | 119-0711 | 1 | Belt-Variable | 35 | 2412-3 | 1 | Clamp-Hose |
| 15 | 133-0580 | 1 | Primary Clutch ASM | 36 | 104-8300 | 6 | Nut-HF, NI |
| 16 | 115-2316 | 1 | Switch-Pressure F/W | 37 | 112-3240-03 | 1 | Bracket-Filter, Oil |
| 17 | 115-2317 | 1 | Fitting-Elbow | 38 | 115-2314 | 1 | Adapter-Filter, Oil |
| 18 | 119-0826 | 1 | Fitting-Tee | 39 | 107-7817 | 1 | Filter-Oil, Engine |

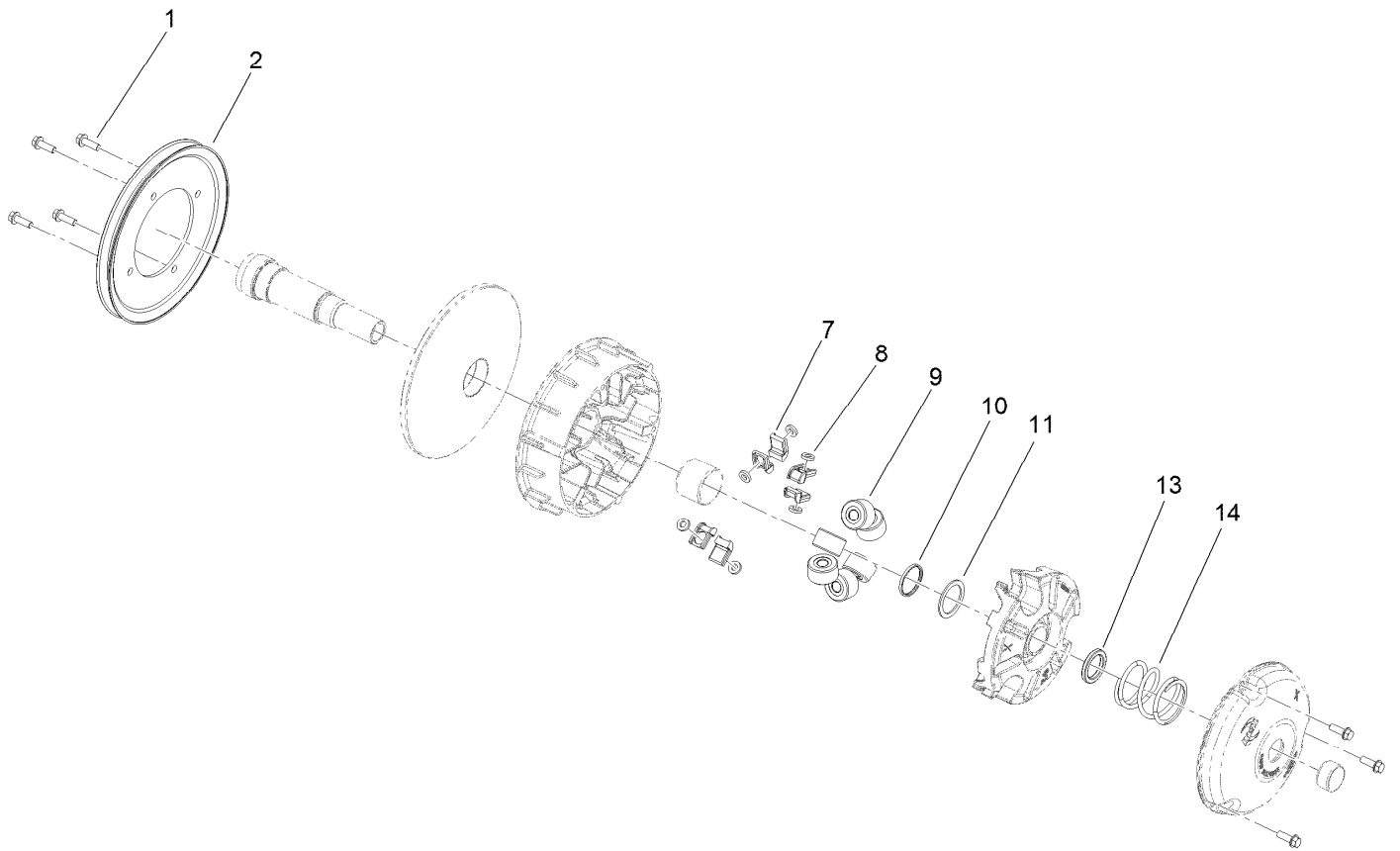
● Obtain parts from www.briggsandstratton.com



Engine, Clutch and Air Cleaner Assembly (continued)

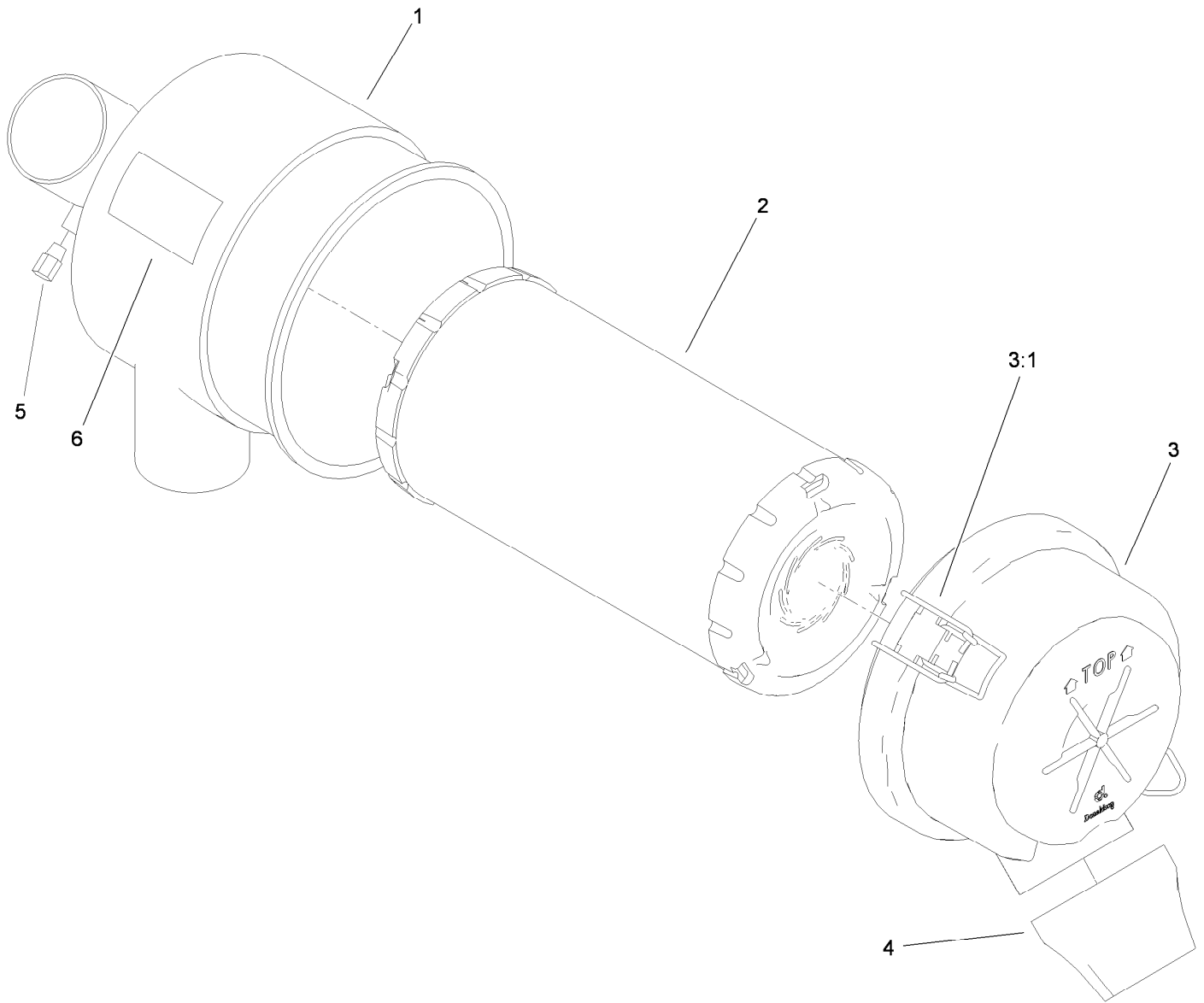
| Ref. | Part Number | Qty. | Description | Ref. | Part Number | Qty. | Description |
|------|-------------|------|------------------|------|-------------|------|-----------------------|
| 40 | 104-8301 | 2 | Nut-HF, NI | 50 | 323-8 | 2 | Screw-HH |
| 41 | 110-5053 | 4 | Screw-HHF | 51 | 3234-36 | 2 | Screw-HHF |
| 42 | 112-3282 | 1 | Fitting-Straight | 52 | 3253-4 | 8 | Washer-Lock |
| 43 | 119-0722 | 1 | Screw-HH | 53 | 3254-2 | 2 | Washer-Lock, Internal |
| 44 | 119-0724 | 1 | Washer-Flange | 54 | 3274-96 | 4 | Screw-HSBH |
| 45 | 2844 | 2 | Washer | 55 | 3290-432 | 1 | Screw-HH |
| 46 | 32128-20 | 4 | Nut-HF | 56 | 33023-00 | 2 | Nut-Lock |
| 47 | 32148-14 | 1 | Nut-Clinch | 58 | 66-3160 | 2 | Screw-Cap |
| 48 | 322-11 | 2 | Screw-HH | 59 | 140-2557 | 2 | Gasket-Exhaust |
| 49 | 322-9 | 4 | Screw-HH | | | | |

● Obtain parts from www.briggsandstratton.com



Primary Clutch Assembly No. 133-0580

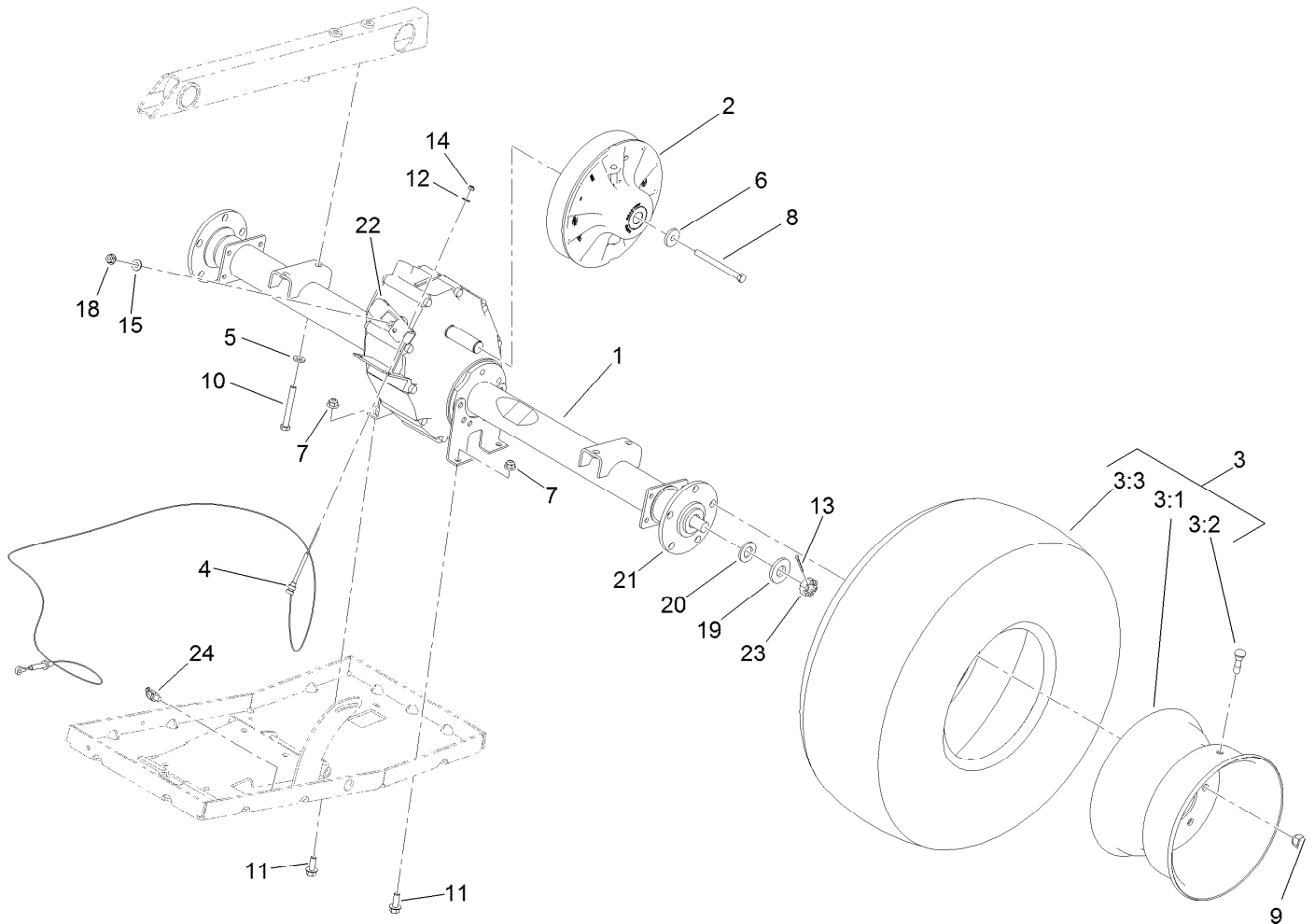
| <i>Ref.</i> | <i>Part Number</i> | <i>Qty.</i> | <i>Description</i> |
|-------------|--------------------|-------------|------------------------|
| 1 | 49-2040 | 7 | Screw-HWHTF |
| 2 | 119-0813 | 1 | Pulley-Primary |
| 7 | 127-8689 | 6 | Button-Primary, Torque |
| 8 | 127-8690 | 6 | Plug-Button, Torque |
| 9 | 119-0804 | 6 | Weight-Roller |
| 10 | 119-0815 | 1 | Shim-Spider |
| 11 | 119-0812 | 1 | Shim-Spider |
| 13 | 119-0807 | 2 | Shim-Limiter |
| 14 | 119-9532 | 1 | Spring-Red/White |



Air Cleaner Assembly No. 99-7120

| Ref. | Part Number | Qty. | Description |
|------|-------------|------|--------------------|
| 1 | | 1 | Body ● |
| 2 | 108-3811 | 1 | Filter-Air |
| 3 | 94-3652 | 1 | Cover ASM |
| 3:1 | 1-643283 | 2 | Latch-Cleaner, Air |
| 4 | 87-9400 | 1 | Valve-Vacuator |
| 5 | | 1 | Plug ● |
| 6 | | 1 | Marking ● |

● Not serviced separately

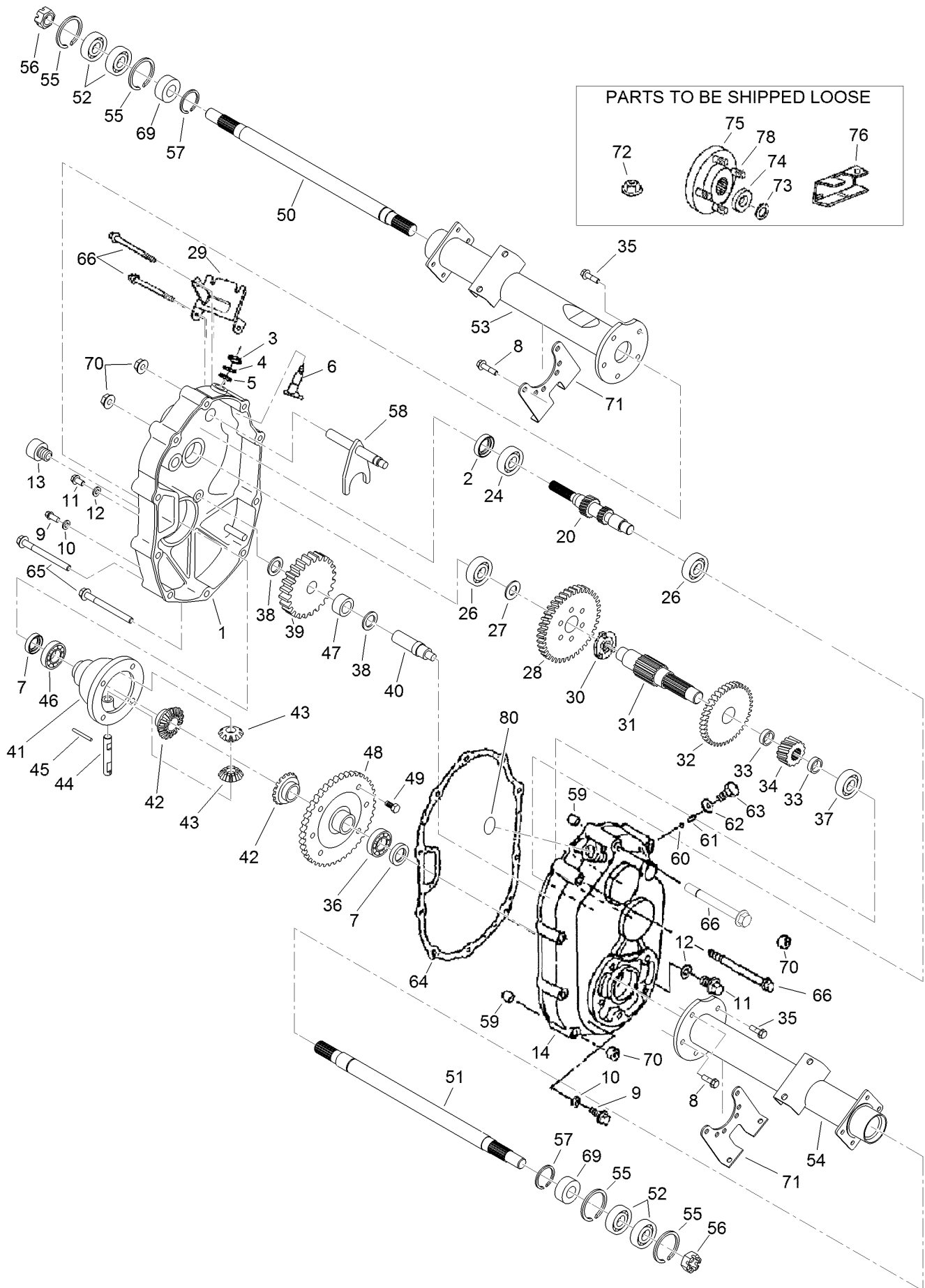


Rear Axle Drive System Assembly

| Ref. | Part Number | Qty. | Description |
|------|-------------|------|------------------------|
| 1 | 119-0760 | 1 | Transaxle ASM |
| 2 | 119-6011 | 1 | Secondary Clutch ASM |
| 3 | 131-8434 | 2 | Tire And Wheel ASM |
| 3:1 | 131-8435 | 1 | Wheel |
| 3:2 | 232-27 | 1 | Stem-Valve |
| 3:3 | 131-6667 | 1 | Tire |
| 4 | 115-7679 | 2 | Cable-Control, Tension |
| 5 | 100-4852 | 4 | Washer-Hardened |
| 6 | 104-6563 | 1 | Washer-Stepped |
| 7 | 104-8301 | 4 | Nut-HF, NI |
| 8 | 119-0723 | 1 | Screw-HH, Lock |
| 9 | 242-50 | 10 | Nut-Lug |
| 10 | 323-14 | 4 | Screw-HH |

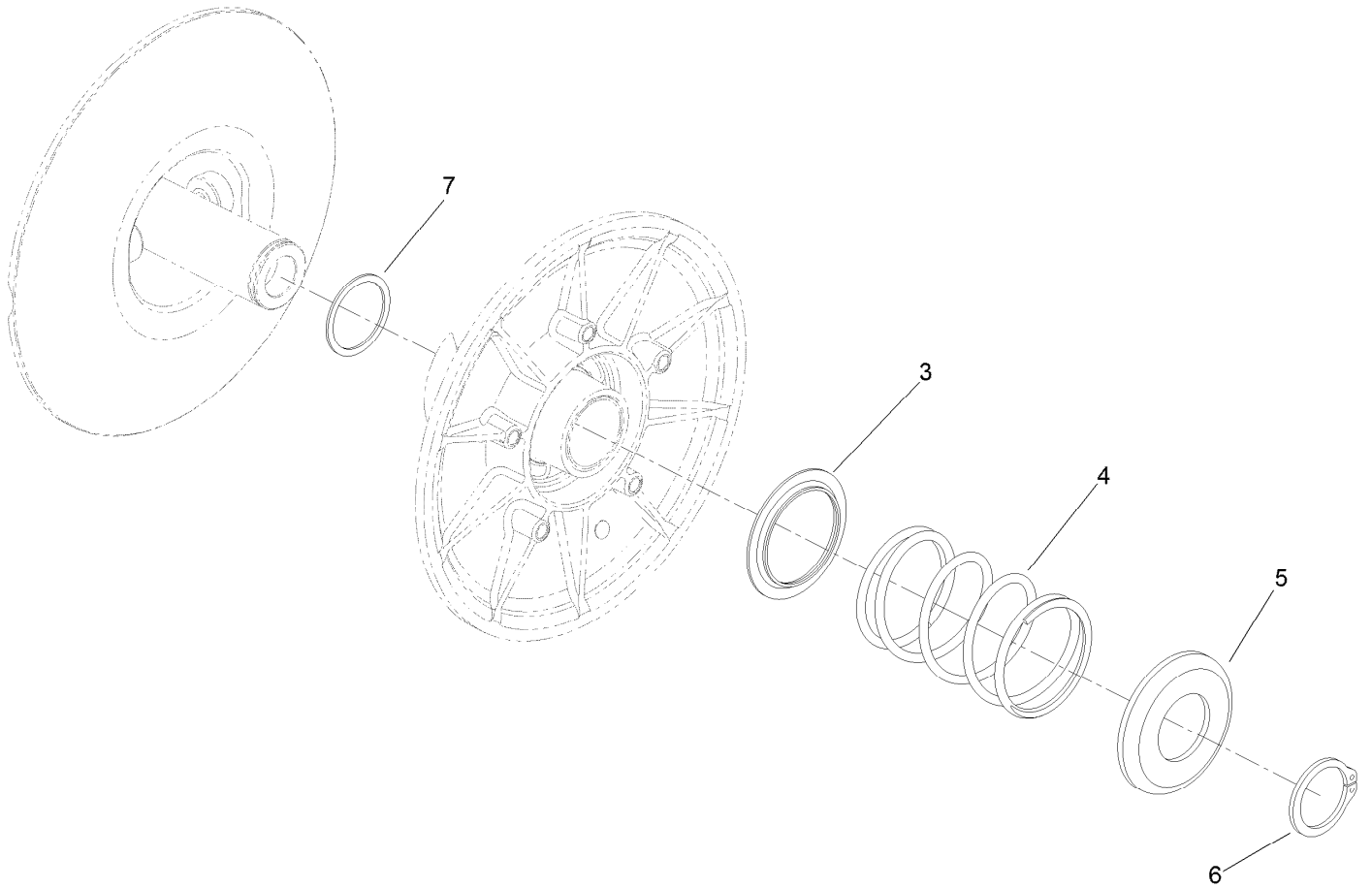
| Ref. | Part Number | Qty. | Description |
|------|-------------|------|--------------|
| 11 | 3234-11 | 4 | Screw-HHF |
| 12 | 3256-49 | 2 | Washer-Plain |
| 13 | 3272-12 | 2 | Pin-Cotter |
| 14 | 3296-2 | 2 | Nut-Lock, NI |
| 15 | 87-8640 | 1 | Washer-Flat |
| 18 | 104-1672 | 1 | Nut-Lock |
| 19 | 133-0632 | 2 | Spacer |
| 20 | 104-1674 | 2 | Washer |
| 21 | 104-1675 | 2 | Hub |
| 22 | 104-6860 | 1 | Lever-Select |
| 23 | 104-1656 | 2 | Nut-Castle |
| 24 | 32180-030 | 1 | Clip-Tie |

Transaxle Assembly No. 119-0760



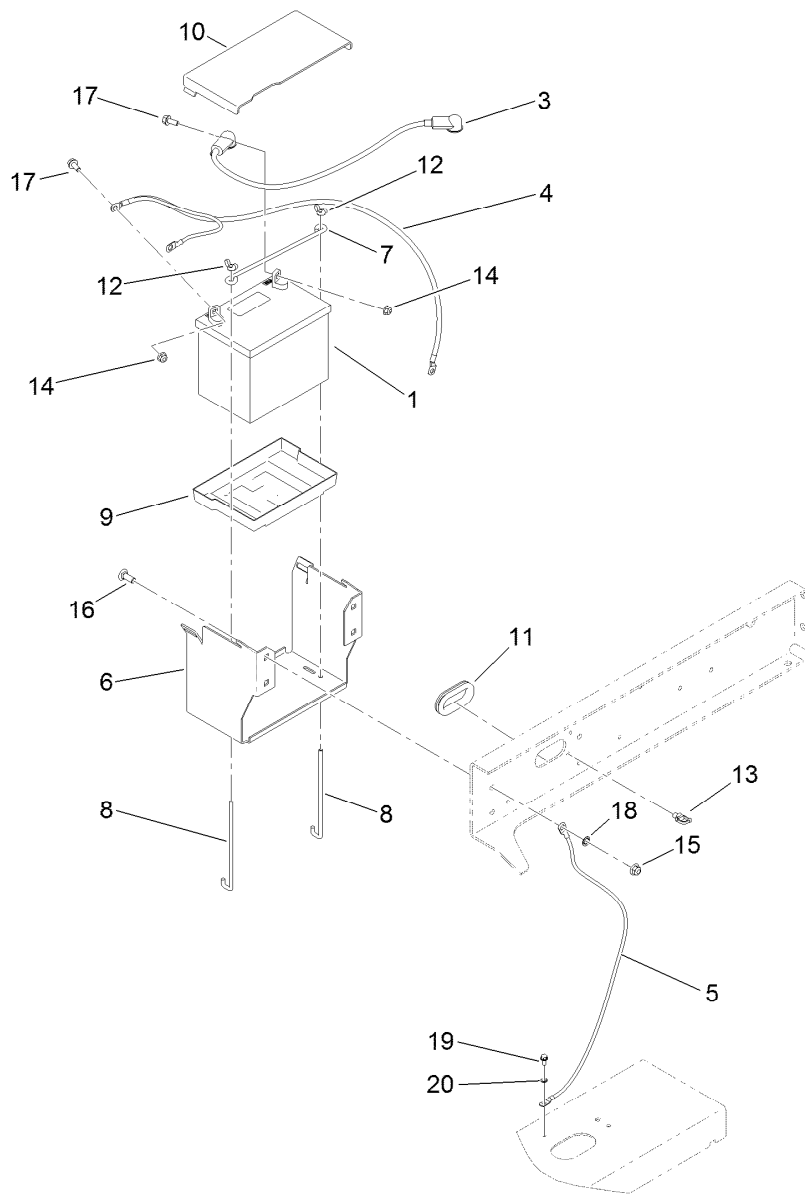
Transaxle Assembly No. 119-0760 (continued)

| <i>Ref.</i> | <i>Part Number</i> | <i>Qty.</i> | <i>Description</i> | <i>Ref.</i> | <i>Part Number</i> | <i>Qty.</i> | <i>Description</i> |
|-------------|--------------------|-------------|-------------------------|-------------|--------------------|-------------|-----------------------|
| 1 | 104-1601 | 1 | Case-LH, Complete | 44 | 104-1644 | 1 | Shaft-Differential |
| 2 | 104-1602 | 1 | Seal-Oil | 45 | 104-1645 | 1 | Pin |
| 3 | 104-1603 | 1 | Seal-Oil | 46 | 104-1646 | 1 | Bearing-Ball |
| 4 | 104-1604 | 1 | Ring-Snap | 47 | 104-1647 | 1 | Bearing-Needle |
| 5 | 104-1605 | 1 | Spacer | 48 | 104-1648 | 1 | Gear |
| 6 | 104-1606 | 1 | Shaft-Selector | 49 | 104-1649 | 6 | Bolt |
| 7 | 104-1607 | 2 | Seal-Oil | 50 | 104-1650 | 1 | Shaft-Axle, LH |
| 8 | 104-1608 | 4 | Bolt-Flange | 51 | 104-1651 | 1 | Shaft-Axle, RH |
| 9 | 104-1609 | 2 | Plug-Check, Oil | 52 | 104-1652 | 4 | Bearing-Ball |
| 10 | 104-1610 | 2 | Gasket | 53 | 104-1653 | 1 | Case-Axle, LH |
| 11 | 104-1611 | 2 | Plug-Drain, Oil | 54 | 104-1654 | 1 | Case-Axle, RH |
| 12 | 104-1612 | 2 | Gasket | 55 | 104-1655 | 4 | Ring-Snap |
| 13 | 104-1613 | 1 | Plug-Filler, Oil | 56 | 104-1656 | 2 | Nut-Castle |
| 14 | 104-1614 | 1 | Case-Complete, RH | 57 | 104-1657 | 2 | Ring-Snap |
| 20 | 104-7002 | 1 | Shaft-Input, Complete | 58 | 104-6870 | 1 | Shaft-Shift, Complete |
| 24 | 104-1624 | 1 | Bearing-Ball | 59 | 104-1659 | 2 | Knock-Pipe |
| 26 | 104-1626 | 2 | Bearing-Ball | 60 | 104-1660 | 1 | Ball-Steel |
| 27 | 104-1627 | 1 | Spacer | 61 | 104-1661 | 1 | Spring |
| 28 | 104-1628 | 1 | Gear | 62 | 104-1662 | 1 | Gasket |
| 29 | 104-1629 | 1 | Bracket-Wire, Change | 63 | 104-1663 | 1 | Bolt |
| 30 | 104-1630 | 1 | Clutch-Pin | 64 | 104-1664 | 1 | Gasket |
| 31 | 104-1631 | 1 | Shaft-Center | 65 | 104-1665 | 6 | Bolt-Flange |
| 32 | 104-1632 | 1 | Gear | 66 | 104-1666 | 4 | Bolt-Flange |
| 33 | 104-1633 | 2 | Collar | 69 | 104-6867 | 2 | Collar |
| 34 | 104-1634 | 1 | Gear | 70 | 33004-00 | 10 | Nut-HF |
| 35 | 104-1635 | 6 | Bolt-Flange | 71 | 104-1671 | 2 | Bracket-Axle |
| 36 | 104-1636 | 1 | Bearing-Ball | 72 | 104-1672 | 1 | Nut-Lock |
| 37 | 104-1637 | 1 | Bearing-Ball | 73 | 104-1673 | 2 | Washer-Spring |
| 38 | 104-1638 | 2 | Spacer | 74 | 104-1674 | 2 | Washer |
| 39 | 104-1639 | 1 | Gear | 75 | 104-1675 | 2 | Hub |
| 40 | 104-1640 | 1 | Shaft-Counter | 76 | 104-6860 | 1 | Lever-Select |
| 41 | 104-1641 | 1 | Case-Differential | 78 | 104-8649 | 10 | Stud |
| 42 | 104-1642 | 2 | Gear-Side, Differential | 80 | 121-9718 | 1 | Cap-Seal |
| 43 | 104-1643 | 2 | Pinion-Differential | | | | |



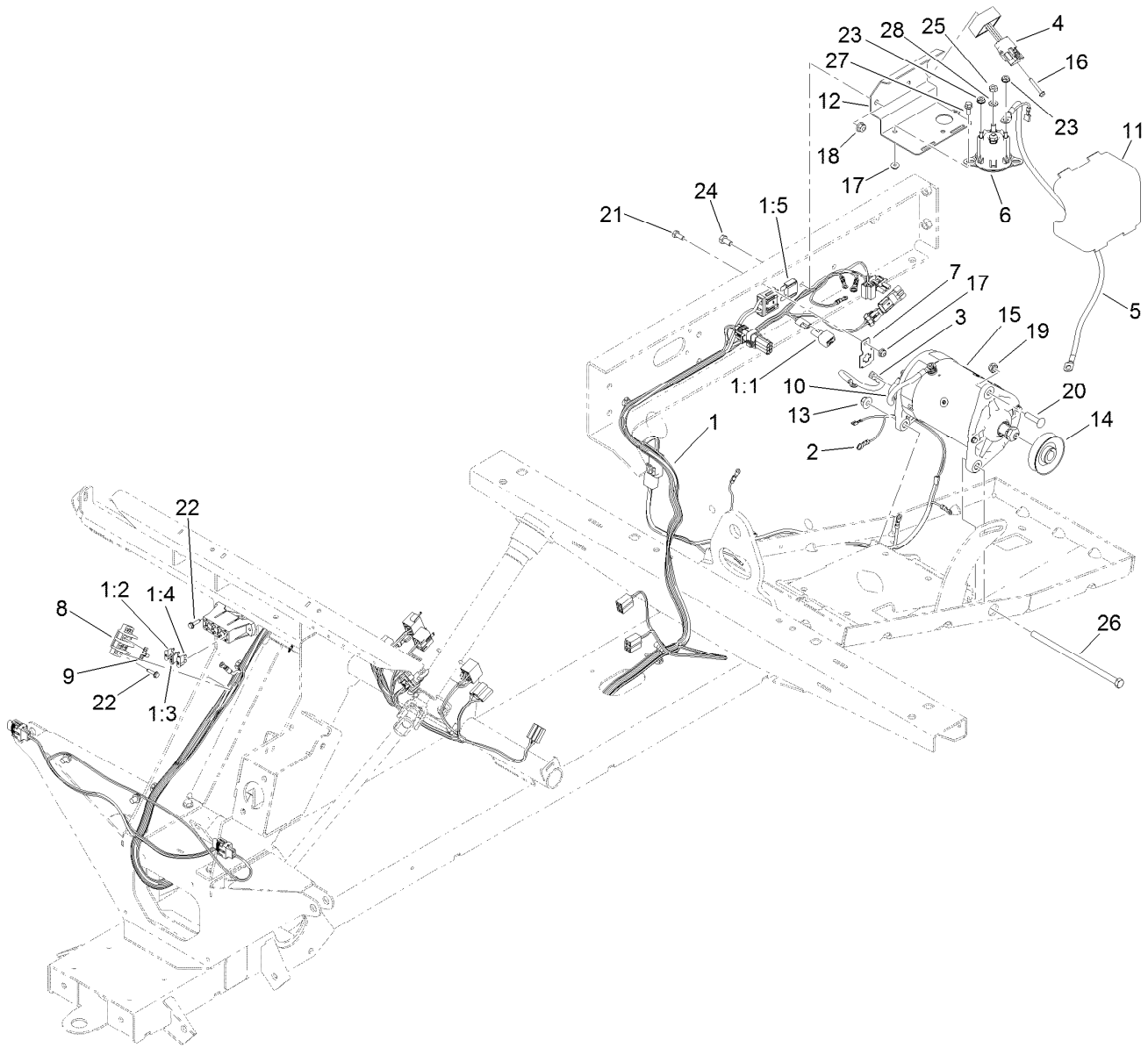
Secondary Clutch Assembly No. 119-6011

| <i>Ref.</i> | <i>Part Number</i> | <i>Qty.</i> | <i>Description</i> |
|-------------|--------------------|-------------|----------------------------------|
| 3 | 119-0809 | 1 | Cup-Spring Retainer, Inner |
| 4 | 119-9360 | 1 | Spring-Compression, Black/Almond |
| 5 | 119-0810 | 1 | Cup-Spring Retainer, Outer |
| 6 | 119-0811 | 1 | Ring-Retaining |
| 7 | 119-6018 | 1 | Shim-Thrust |



Battery Assembly

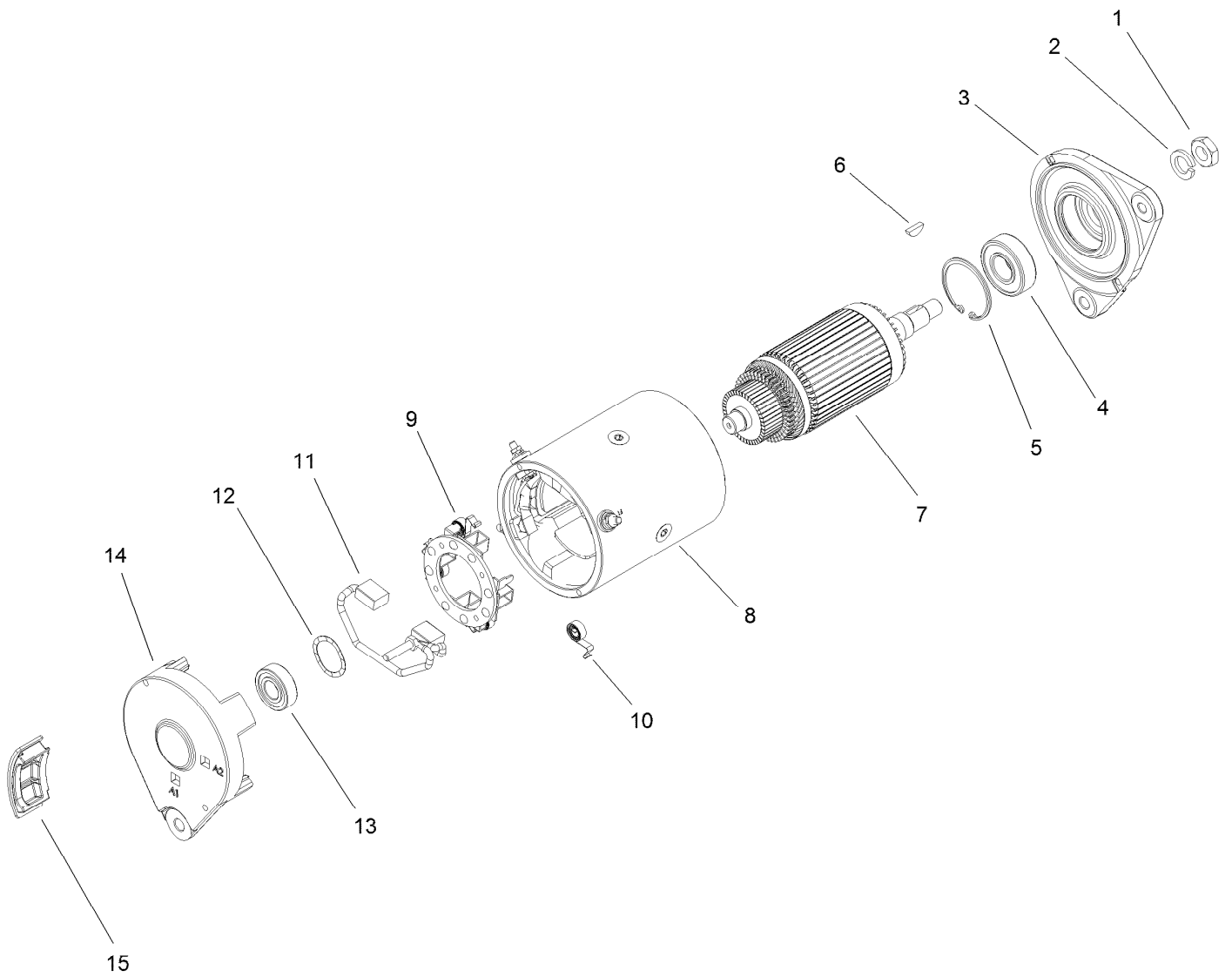
| <i>Ref.</i> | <i>Part Number</i> | <i>Qty.</i> | <i>Description</i> | <i>Ref.</i> | <i>Part Number</i> | <i>Qty.</i> | <i>Description</i> |
|-------------|--------------------|-------------|-------------------------|-------------|--------------------|-------------|-----------------------|
| 1 | 104-8162 | 1 | Battery | 12 | 32103-22 | 2 | Nut-Wing |
| 3 | 114-9404 | 1 | Cable-Battery, Positive | 13 | 32180-030 | 2 | Clip-Tie |
| 4 | 115-8107 | 1 | Cable-Battery, Negative | 14 | 104-8300 | 2 | Nut-HF, NI |
| 5 | 115-8108 | 1 | Cable-Battery, Negative | 15 | 104-8301 | 4 | Nut-HF, NI |
| 6 | 115-2302-03 | 1 | Base-Battery | 16 | 3231-22 | 4 | Screw-CARR |
| 7 | 100-6434 | 1 | Rod-Hold Down, Battery | 17 | 3234-5 | 2 | Screw-HHF |
| 8 | 100-6435 | 2 | Post-Battery | 18 | 3254-6 | 1 | Washer-Lock, Internal |
| 9 | 106948 | 1 | Tray-Battery | 19 | 32144-4 | 1 | Screw-HWH |
| 10 | 115-2394 | 1 | Cover-Battery | 20 | 3254-16 | 1 | Washer-Lock/Int |
| 11 | 240-12 | 1 | Grommet | | | | |



Electrical Assembly

| Ref. | Part Number | Qty. | Description |
|------|-------------|------|-------------------------|
| 1 | 122-0733 | 1 | Harness-Wire |
| 1:1 | 100-4918 | 1 | Diode |
| 1:2 | 218-578 | 1 | Fuse-Blade, 10 Amp |
| 1:3 | 109355 | 1 | Fuse-Blade, 15 Amp |
| 1:4 | 109101 | 1 | Fuse-Blade, 20 Amp |
| 1:5 | 114-3342 | 1 | Fuse-Maxi, 60 Amp |
| 2 | 115-8109 | 1 | Harness-Wire, Engine |
| 3 | 94-2777 | 1 | Wire-Ground |
| 4 | 119-9492 | 1 | Regulator-Voltage |
| 5 | 112-3537 | 1 | Cable-Battery, Positive |
| 6 | 114-3315 | 1 | Solenoid |
| 7 | 114-5502 | 1 | Clip-Fuse |
| 8 | 42862 | 1 | Block-Terminal, Ground |
| 9 | 42863 | 1 | Strip-Jumper |
| 10 | 99-7403 | 1 | Cable-Negative |
| 11 | 112-3027 | 1 | Cover-Controller |
| 12 | 119-0752-03 | 1 | Mount-Component |

| Ref. | Part Number | Qty. | Description |
|------|-------------|------|-----------------------|
| 13 | 104-8301 | 1 | Nut-HF, NI |
| 14 | 121-6277 | 1 | Pulley-Drive |
| 15 | 131-8444 | 1 | Starter/Generator ASM |
| 16 | 100-4352 | 1 | Screw-HWH |
| 17 | 104-7201 | 3 | Nut-HF |
| 18 | 104-8300 | 2 | Nut-HF, NI |
| 19 | 3296-69 | 1 | Nut-Lock, NI |
| 20 | 112-6950 | 1 | Screw-CARR |
| 21 | 321-3 | 1 | Screw-HH |
| 22 | 100-4351 | 4 | Screw-HWH |
| 23 | 32149-8 | 2 | Nut-Keps |
| 24 | 322-2 | 2 | Screw-HH |
| 25 | 3220-2 | 2 | Nut-Jam |
| 26 | 323-30 | 1 | Screw-HH |
| 27 | 3234-33 | 2 | Screw-HHF |
| 28 | 3255-8 | 2 | Washer-Lock |



Starter Generator Assembly No. 131-8444

| Ref. | Part Number | Qty. | Description |
|------|-------------|------|-------------------------------------|
| 1 | 119-9651 | 1 | Nut |
| 2 | 119-9652 | 1 | Washer-Lock |
| 3 | 133-0599 | 1 | Head-Drive End |
| 4 | 119-9655 | 1 | Bearing |
| 5 | 119-9656 | 1 | Ring-Retaining |
| 6 | 119-9657 | 1 | Key-Woodruff |
| 7 | 119-9658 | 1 | Armature ASM |
| 8 | | 1 | Frame And Field Assembly ● |
| 9 | 119-9661 | 1 | Brush Box ASM |
| 10 | 119-9660 | 4 | Spring-Brush |
| 11 | 119-9659 | 1 | Brush Lead And Terminal Service Kit |
| 12 | 119-9662 | 1 | Washer-Wave |
| 13 | 119-9663 | 1 | Bearing |
| 14 | | 1 | Head-End, Cummutator ● |
| 15 | 133-0600 | 4 | Plug-Rubber |

● Not serviced separately

Attachments and Accessories

For 07235 Workman MDX Utility Vehicle

| Product Name | Model/Part |
|--|------------|
| Electric Bed Lift Kit, 2014 and After Workman MD/MDX/MDX-D Utility Vehicle | 07389 |
| Receiver Hitch Kit | 07278 |
| Roll-Over Protection System | 07276 |
| Canopy Kit | 07324 |
| Folding Windshield Kit | 07326 |
| Solid Windshield Kit | 07325 |
| Cab Kit | 07320 |
| Work Light Kit | 130-5485 |
| Beacon Kit | 130-5484 |
| Exterior Mirror Kit | 130-5448 |
| Interior Mirror Kit | 130-5449 |
| Door Kit with Sliding Window | 07356 |
| Windshield Washer Fluid Kit, 2015 and after Workman MD/HD Series Utility Vehicle | 130-5615 |
| Lift Wire Harness Kit | 115-7823 |
| Backup Alarm Kit | 115-7824 |
| Tire-AT 489, 24x10.5-10 | 104-7061 |
| Tire-AT 489, 22x9.5-10 | 104-7062 |
| Spark Arrestor Screen | 94-8157 |
| Battery Kit | 119-9680 |
| Stake Pocket Adapter Kit, 2011 and After Workman MD Series Utility Vehicle | 119-9604 |
| Tie-Down Kit, 2011 and After Workman MD Series Utility Vehicle | 119-9605 |
| Hitch Asm | 131-3462 |
| Road Light and Homologation Kit | 120-5031 |
| Brake and Signal Light Kit | 120-5044 |
| Pro Force Debris Blower | 44538 |
| Bed Mount Kit, Pro Force Debris Blower | 44543 |
| Tapered Nozzle Kit | 119-6280 |
| Rectangular Nozzle Kit | 119-6281 |
| Nozzle-Extension, Straight | 119-6282 |
| Nozzle-Extension, Tapered | 119-6283 |
| Nozzle-Extension, Rectangular | 119-6284 |
| Cargo Bed Installation Kit with Manual Dump, 2011 to 2013 Workman MD Series Utility Vehicle | 127-7385 |
| Cargo Bed Installation Kit with Electric Lift, 2011 to 2013 Workman MD Series Utility Vehicle | 127-7386 |
| Cargo Bed Installation Kit with Manual Dump, 2010 and Before Workman MD Series Utility Vehicle | 131-3457 |
| Horn Kit | 115-7825 |
| Key Start Kit | 121-6338 |
| LED Worklight Kit | 133-0554 |
| ROPS Beacon Kit | 133-0609 |
| Front Spring Kit, 2016 and After MDX or MDX-D Series Utility Vehicle | 133-0630 |
| Spanner Wrench | 132-5069 |
| Brush Guard Kit | 07145 |
| Aggressive Tire Kit | 07175 |
| Side Mirror Kit | 119-9546 |
| Service Hood ASM | 133-7209 |

Notes:

Notes:



Count on it.