



Count on it.

Parts Catalog

GreensPro® 1260

Greens Roller

Model No. 44913—Serial No. 405258088 and Up



Ordering Replacement Parts

To order replacement parts, please supply the part number, the quantity, and the description of each part desired.

Understanding Reference Numbers

Each identified part in an illustration has a reference number. The reference number for a part also appears in the parts list, along with other information about the part.

This catalog uses two special reference number formats, one to indicate parts in a service assembly and another to indicate the quantity of a given part in an illustration.

Service Assembly Reference Numbers

Parts in service assemblies have reference numbers in the form a:b. The a represents the reference number of the entire service assembly and the b represents a sequential number unique to each part within the service assembly.

For example, a wheel assembly might be identified by reference number 6, the tire by 6:1, the valve by 6:2, and the wheel by 6:3. When you order the assembly identified by reference number 6, you receive all parts identified by reference numbers 6:1, 6:2, and 6:3. However, you may also order any part individually. Reference numbers of this type appear in illustration and in parts lists.

Reference Numbers Indicating Quantity

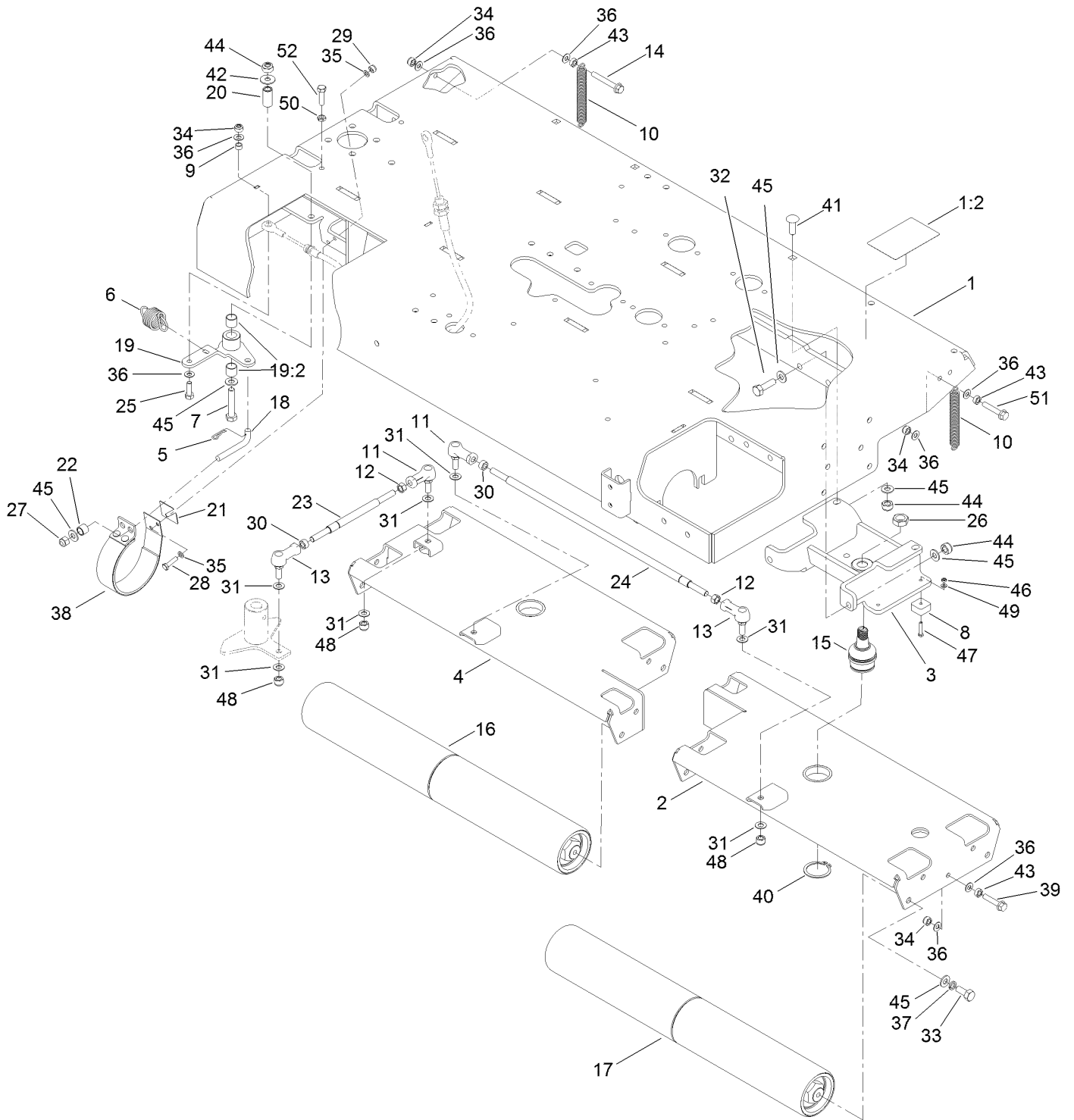
In an illustration, if a reference number indicates more than one part, the reference number has the form nX y. The n represents the quantity of the part, the X is the multiplication symbol, and the y represents the reference number.

For example, in an illustration, the reference number 2X 37 means that two of the parts identified by reference number 37 are indicated.

Contents

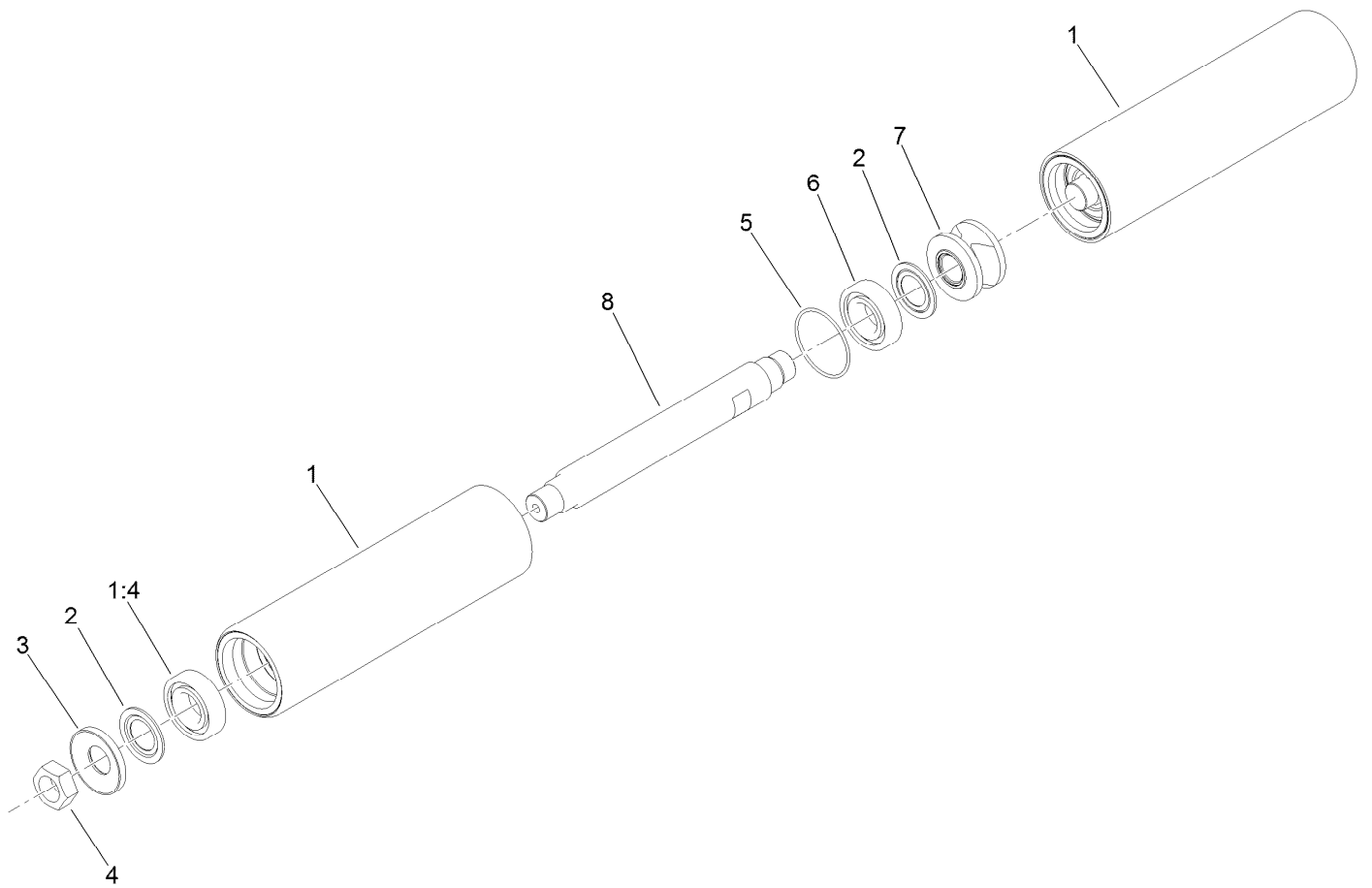
Steering Assembly	4
Complete Long Steering Roller Assembly No. 127-7958	6
Complete Short Steering Roller Assembly No. 127-7963	7
Oil Tank and Hose Assembly	8
Roller Drive Assembly	10
Hydraulic Motor Assembly No. 131-6431	12
Engine Assembly	14
Tire Assembly	16
Lifting Mechanism Assembly	18
Seat Assembly	20
Steering Wheel Assembly	22
Parking Brake Assembly	24
Control Assembly	26
Hydraulic Pump Assembly No. 132-4797	28
Decal Assembly	30
Cylinder Head Assembly	32
Cylinder Barrel Assembly	34
Crankcase Cover Assembly	36
Crankshaft Assembly	38
Piston and Connecting Rod Assembly	40
Camshaft Assembly	42
Recoil Starter Assembly	44
Fan Cover Assembly	46
Carburetor Assembly	48
Air Cleaner Assembly	50
Muffler Assembly	52
Fuel Tank Assembly	54
Flywheel Assembly	56
Ignition Coil Assembly	58
Control Assembly	60
Label Assembly	62
Wrench	64
Decal Assembly	66
Gasket Kit	68
Attachments and Accessories	70

Steering Assembly



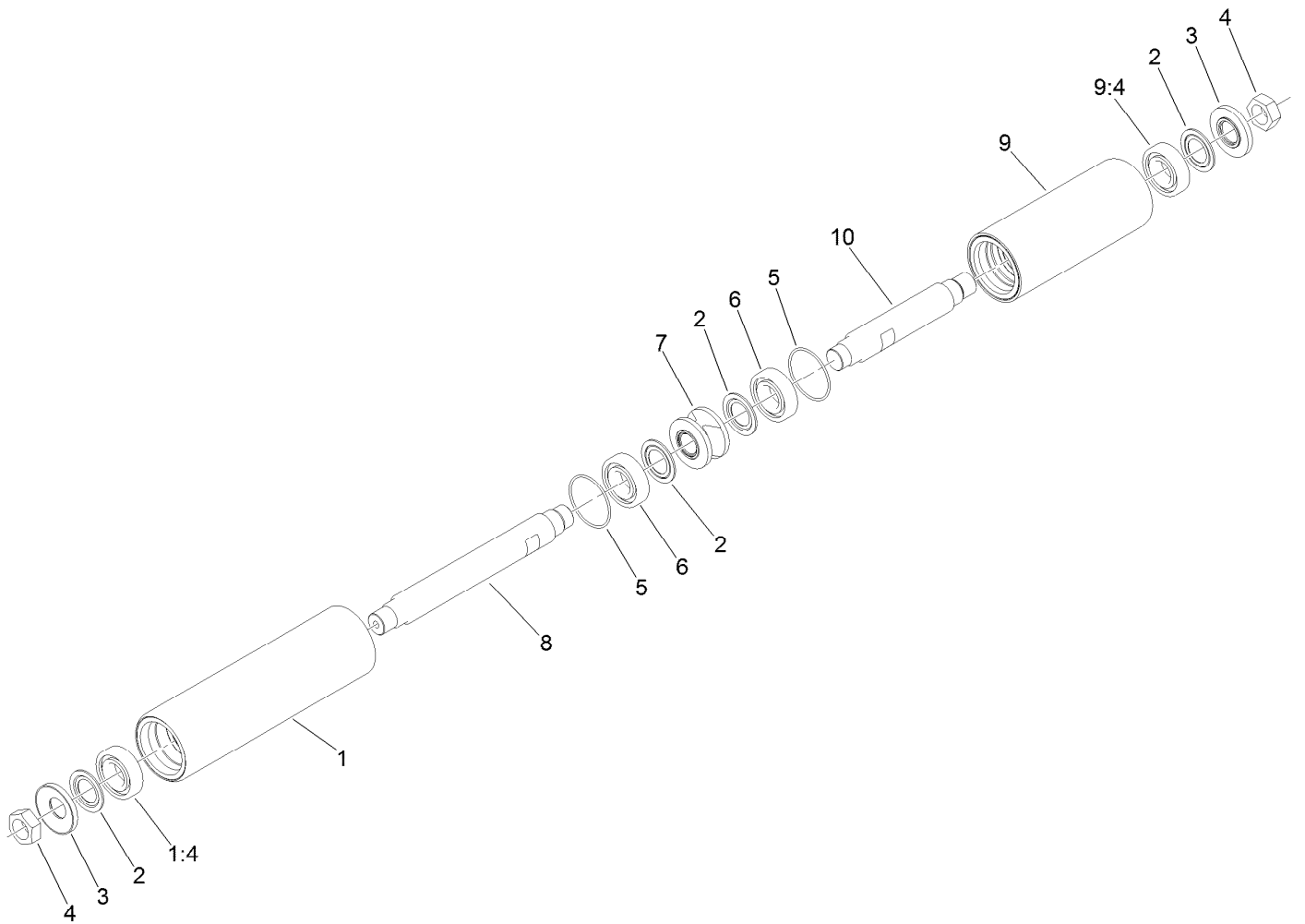
Steering Assembly (continued)

<i>Ref.</i>	<i>Part Number</i>	<i>Qty.</i>	<i>Description</i>	<i>Ref.</i>	<i>Part Number</i>	<i>Qty.</i>	<i>Description</i>
1	138-9104	1	Roller Chassis W/Decal	25	03162	1	Screw-HH
1:2	133-1701	1	Decal-Warning	26	3220-6	2	Nut-Jam
2	132-4756-01	1	Head-Steering, Rear	27	3296-39	1	Nut-Lock, NI
3	132-4764-01	2	Support-Roller	28	09044	2	Screw-Set
4	132-7082-01	1	Head-Steering, Front	29	09201	2	Nut
5	1-806003	1	Pin-Cotter	30	09213	2	Nut
6	13-3090	1	Spring-Finger	31	09271	8	Washer-Plain
7	57-6360	1	Screw-Clutch	32	09394	4	Bolt
8	94-1392	8	Pad-Rubber	33	09395	8	Screw-HH
9	108-7983	1	Bushing-Cable	34	09441	5	Nut-Hex, NI
10	136-6163	2	Spring	35	09472	4	Washer-Plain
11	132-9263	2	Ball Joint	36	09475	10	Washer
12	111-5855	2	Nut-Hex, LH	37	09480	8	Washer-Lock
13	132-9264	2	Joint-Ball	38	9593	1	Brake Band ASM
14	33104-060	1	Screw-HHF	39	33104-040	2	Screw-HHF
15	121-3605	2	Ball Joint	40	32151-104	2	Ring-Retaining, External
16	127-7958	2	Complete Long Steering Roller ASM	41	33125-030	3	Screw-CARR
17	127-7963	2	Complete Short Steering Roller ASM	42	HY03355	1	Washer-Plated
18	131-1584	1	Rod-Brake	43	ZNH1H000U	4	Nut-Hex
19	136-6249	1	Brake Pivot ASM	44	ZNN1J000U	8	Nut-Hex, NI
19:2	256-311	2	Bushing-Split	45	ZWQ1J000U	21	Washer-Plain
20	131-6350	1	Bushing-Pivot	46	09746	8	Nut-Lock
21	131-6353	1	Shim	47	09806	8	Setscrew
22	131-6367	1	Spacer	48	09216	4	Nut-Hex, NI
23	132-7085	1	Rod-Pivot, Steering	49	ZWP1E000U	16	Washer
24	132-7087	1	Rod-Pivot, Steering	50	117-4059	2	Nut-Hex
				51	33104-045	1	Screw-HHF
				52	09369	2	Screw-HH



Complete Long Steering Roller Assembly No. 127-7958

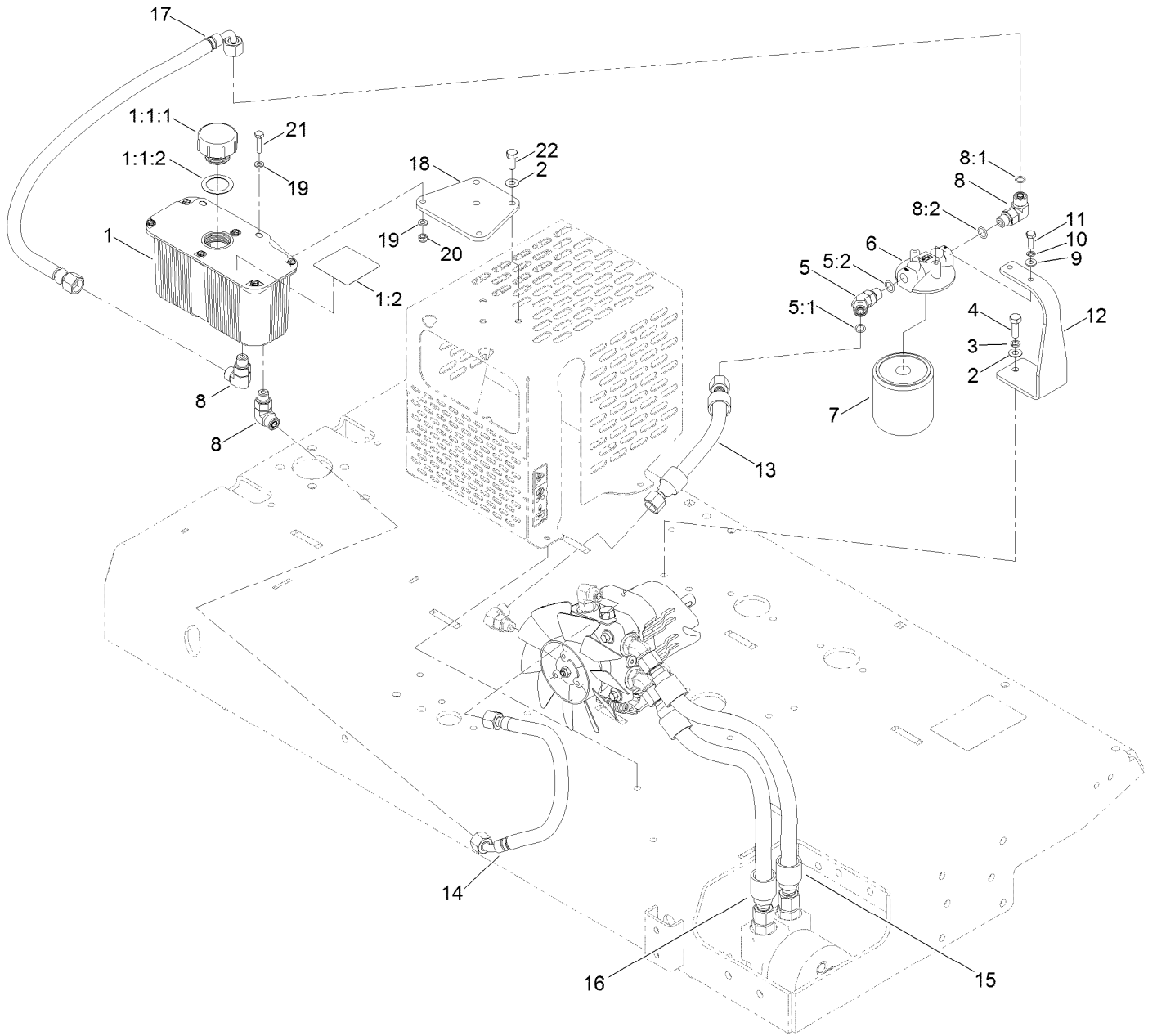
<i>Ref.</i>	<i>Part Number</i>	<i>Qty.</i>	<i>Description</i>
1	127-7966	2	Long Steering Roller ASM
1:4	115-3296	1	Bearing-Sealed
2	115-3299	4	Seal-Flocked
3	127-7959	2	Spacer-Bearing
4	3296-49	2	Nut-Lock, NI
5	117-8177	2	O-Ring
6	115-3296	2	Bearing-Sealed
7	127-7960	1	Sleeve-Roller
8	127-8029	2	Shaft-Roller



Complete Short Steering Roller Assembly No. 127-7963

<i>Ref.</i>	<i>Part Number</i>	<i>Qty.</i>	<i>Description</i>
1	127-7966	1	Long Steering Roller ASM
1:4	115-3296	1	Bearing-Sealed
2	115-3299	4	Seal-Flocked
3	127-7959	2	Spacer-Bearing
4	3296-49	2	Nut-Lock, NI
5	117-8177	2	O-Ring
6	115-3296	2	Bearing-Sealed
7	127-7960	1	Sleeve-Roller
8	127-8029	1	Shaft-Roller
9	127-7967	1	Short Steering Roller Assy
9:4	115-3296	1	Bearing-Sealed
10	127-8030	1	Shaft-Roller

Oil Tank and Hose Assembly



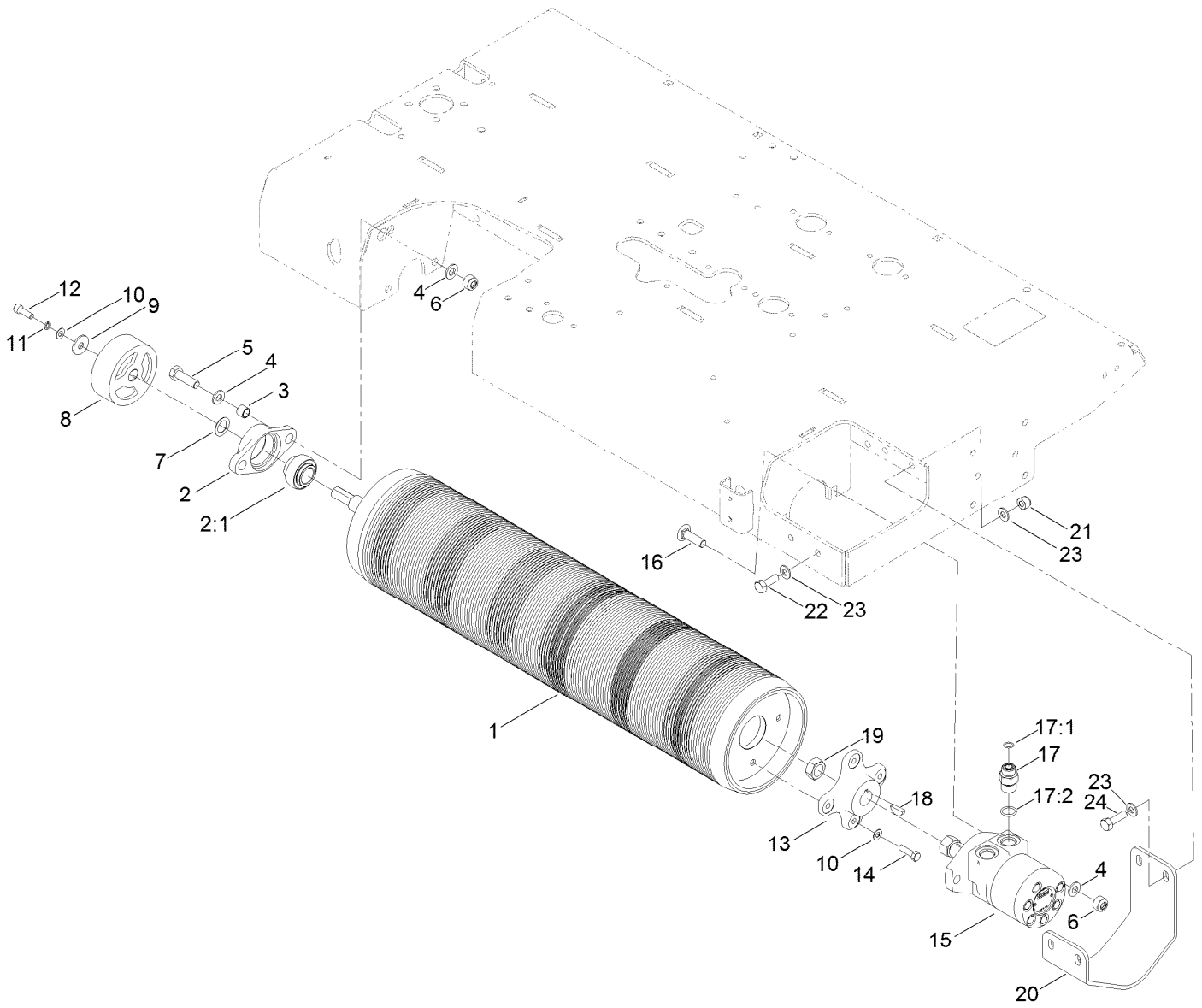
Oil Tank and Hose Assembly (continued)

<i>Ref.</i>	<i>Part Number</i>	<i>Qty.</i>	<i>Description</i>	<i>Ref.</i>	<i>Part Number</i>	<i>Qty.</i>	<i>Description</i>
1	107-8433	1	HYD Reservoir ASM	8:2	237-42	1	O-Ring
1:1		1	Reservoir-HYD ■●	9	09261	2	Washer-Plain
1:1:1	103-1948	1	Cap-Reservoir, HYD	10	09264	2	Washer-Spring
1:1:2	103-1949	1	Gasket-Cap	11	09821	2	Screw-HH
1:2	115-4212	1	Decal-Warning	12	132-9201-01	1	Bracket-Filter
2	09475	5	Washer	13	132-9205	1	Hose ASM
3	03469	2	Washer-Spring	14	132-9206	1	Hose ASM
4	03162	2	Screw-HH	15	132-9202	1	Hose ASM
5	340-87	1	Fitting-Elbow, 45 DEG	16	132-9203	1	Hose ASM
5:1	237-22	1	O-Ring	17	138-2242	1	Hose ASM
5:2	237-42	1	O-Ring	18	138-2238-01	1	Plate-Mount, Tank
6	104-7836	1	Head-Filter	19	09472	4	Washer-Plain
7	1-633750	1	Filter-Oil, HYD	20	09438	2	Nut-Nyloc
8	340-77	3	Fitting-Elbow, 90 DEG	21	33113-025	2	Screw-HH
8:1	237-22	1	O-Ring	22	09368	3	Screw-HH

● Not illustrated

■ Not serviced separately

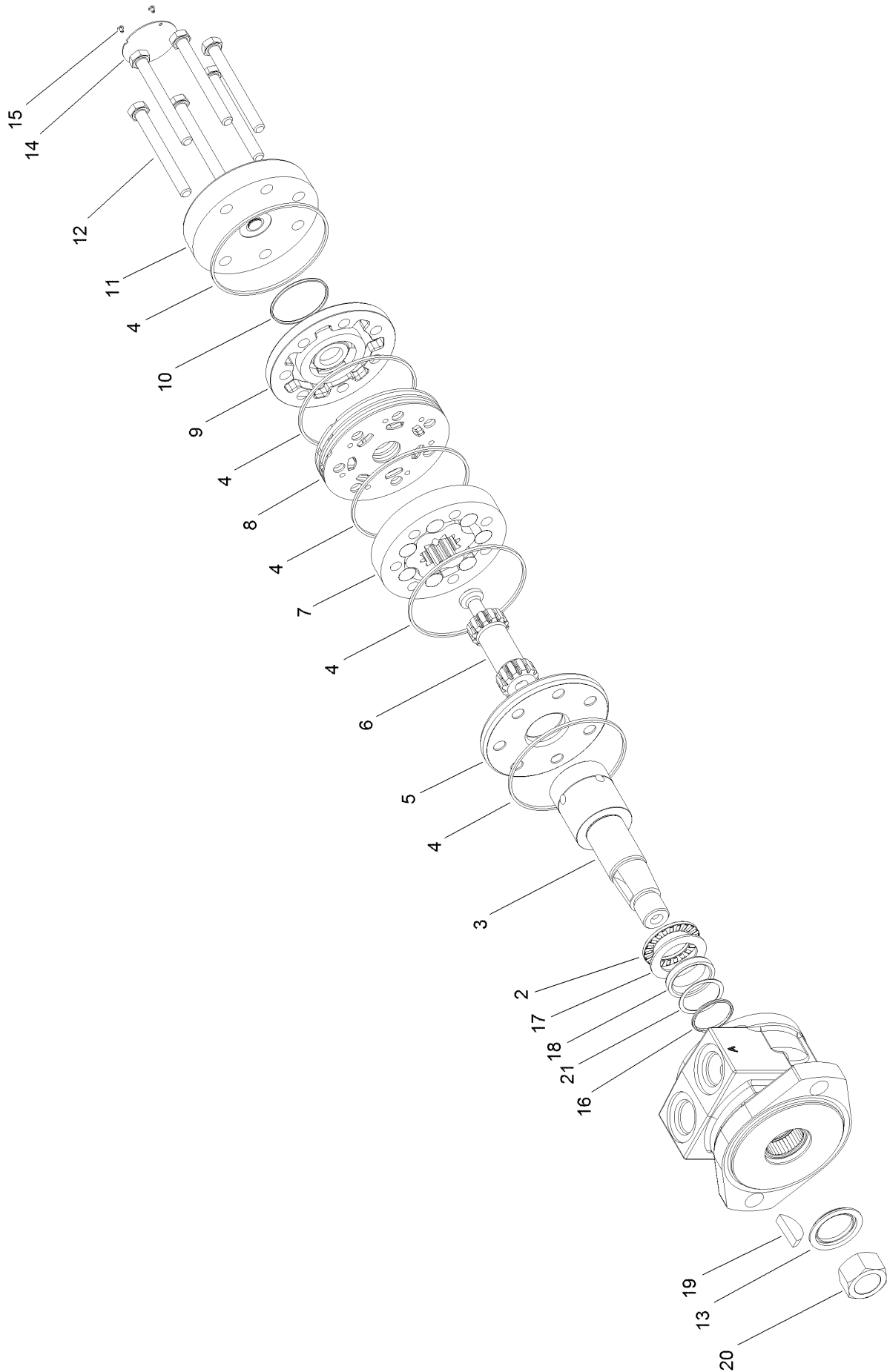
Roller Drive Assembly



Roller Drive Assembly (continued)

<i>Ref.</i>	<i>Part Number</i>	<i>Qty.</i>	<i>Description</i>	<i>Ref.</i>	<i>Part Number</i>	<i>Qty.</i>	<i>Description</i>
1	132-5380	1	Drive-Drum, Roller	14	09369	4	Screw-HH
2	111-5744	1	Bearing ASM	15	131-6431	1	HYD Traction Motor ASM
2:1	111-5758	1	Bearing	16	33126-040	2	Screw-CARR
3	131-6367	2	Spacer	17	340-6	2	Fitting-Straight
4	HY09485	6	Washer-Plain	17:1	237-30	1	O-Ring
5	63-11-010	2	Bolt-HH	17:2	237-80	1	O-Ring
6	09650	4	Nut-Hex, Nyloc	18	3257-8	1	Key-Woodruff
7	132-9200	1	Spacer	19	85-7310	1	Nut-Motor, Wheel
8	106719	1	Drum-Brake	20	132-7096-03	1	Guard-Motor
9	93-8806	1	Washer-Hardened	21	09447	4	Nut
10	ZWP1H000U	5	Washer-Plain	22	09392	2	Screw-HH
11	03469	1	Washer-Spring	23	ZWQ1J000U	8	Washer-Plain
12	ZCS1H025U	1	Screw-HSH	24	09394	2	Bolt
13	133-8863	1	Hub-Drive Roller				

Hydraulic Motor Assembly No. 131-6431



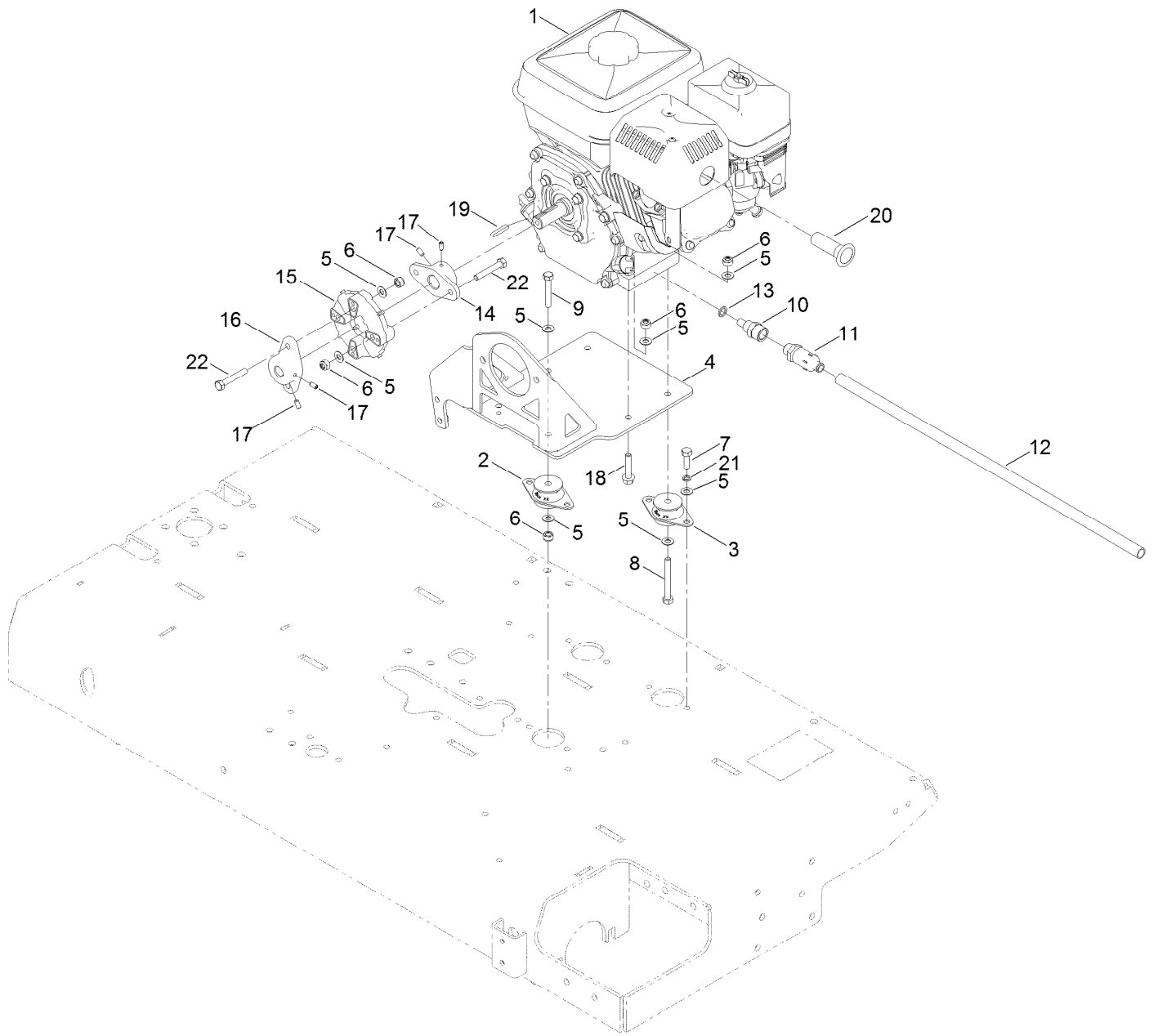
Hydraulic Motor Assembly No. 131-6431 (continued)

<i>Ref.</i>	<i>Part Number</i>	<i>Qty.</i>	<i>Description</i>	<i>Ref.</i>	<i>Part Number</i>	<i>Qty.</i>	<i>Description</i>
2	133-1761	1	Bearing-Thrust	13	133-1773	1	Seal, Dirt And Water
3	133-1762	1	Shaft-Coupling	14		1	Identification Tag ■
4	133-1763	5	Ring-Seal	15	133-1774	2	Screw-Drive
5	133-1764	1	Plate-Wear	16	133-1775	1	Ring-Back Up
6	133-1765	1	Link-Drive	17	133-1776	1	Washer-Thrust
7	133-1766	1	Set-Rotor	18	133-1777	1	Shaft-Seal
8	133-1767	1	Manifold	19	3257-8	1	Key-Woodruff
9	133-1768	1	Commutator	20	85-7310	1	Nut-Motor, Wheel
10	133-1769	1	Seal-Commutator	21	133-1778	1	Washer-Back Up
11	133-1771	1	Cover-End	99	133-1779	1	Seal Kit ●
12	133-1772	6	Special Bolt				

● Not illustrated

■ Not serviced separately

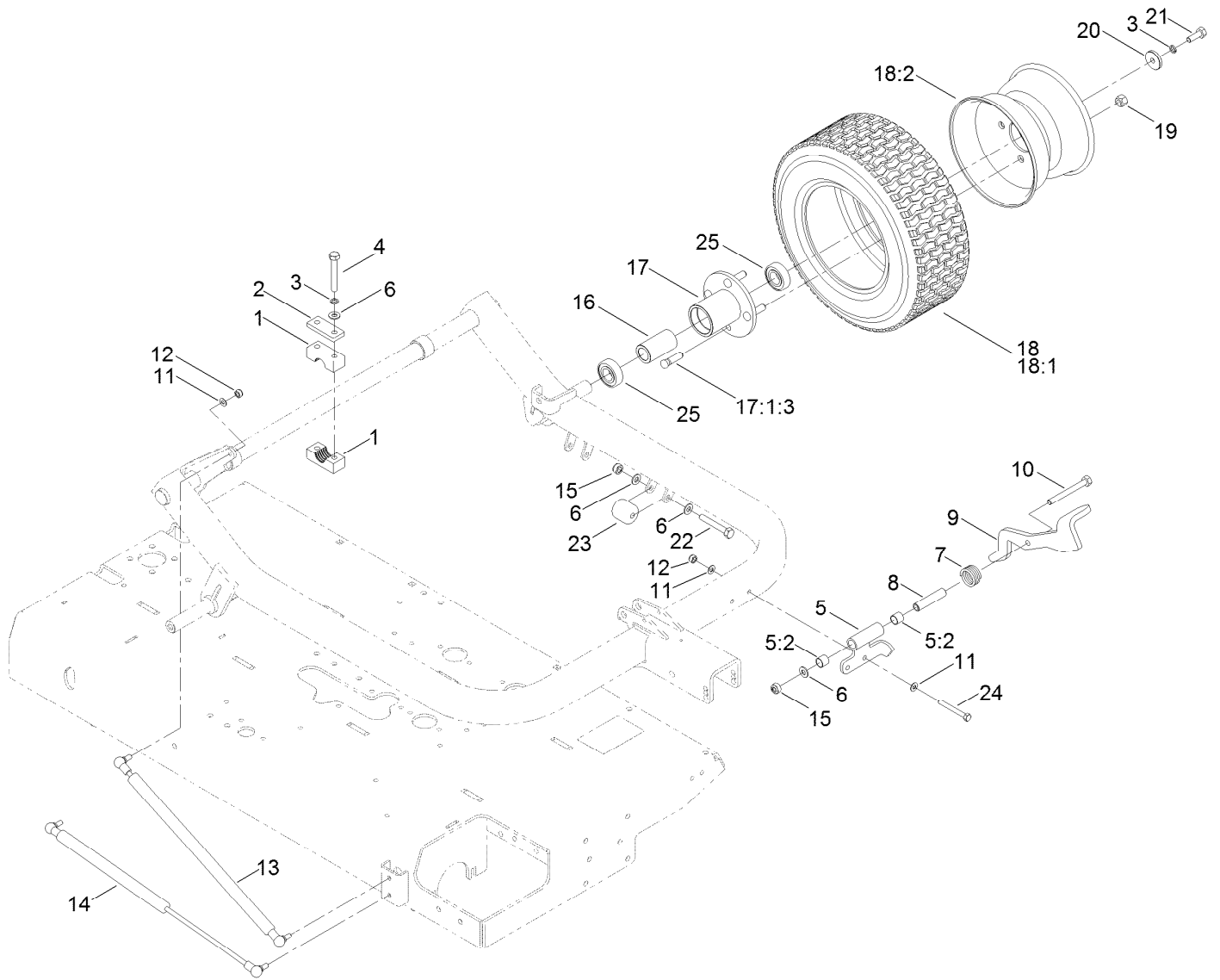
Engine Assembly



Engine Assembly (continued)

<i>Ref.</i>	<i>Part Number</i>	<i>Qty.</i>	<i>Description</i>	<i>Ref.</i>	<i>Part Number</i>	<i>Qty.</i>	<i>Description</i>
1	111-7153	1	Engine-Honda	12	103-1964	1	Hose-Drain, Oil
2	132-4799	2	Mount-Engine	13	111-7401	1	Washer-Plug, Sump
3	132-4803	2	Mount-Engine	14	138-2243	1	Hub-Engine
4	132-9217-01	1	Engine Plate	15	119-0652	1	Coupler-Rubber
5	09475	22	Washer	16	138-2244	1	Hub-Pump
6	09441	10	Nut-Hex, NI	17	133-1717	4	Screw-Set
7	03162	8	Screw-HH	18	33104-040	2	Screw-HHF
8	ZBH1H070U	2	Bolt	19	103-2739	1	Key
9	ZBH1H050U	2	Bolt	20	111-6526	1	Arrester-Spark
10	111-7088	1	Adaptor-Drain, Oil	21	03469	8	Washer-Spring
11	92-6877	1	Valve-Drain, Oil	22	ZBH1H050U	4	Bolt

Tire Assembly



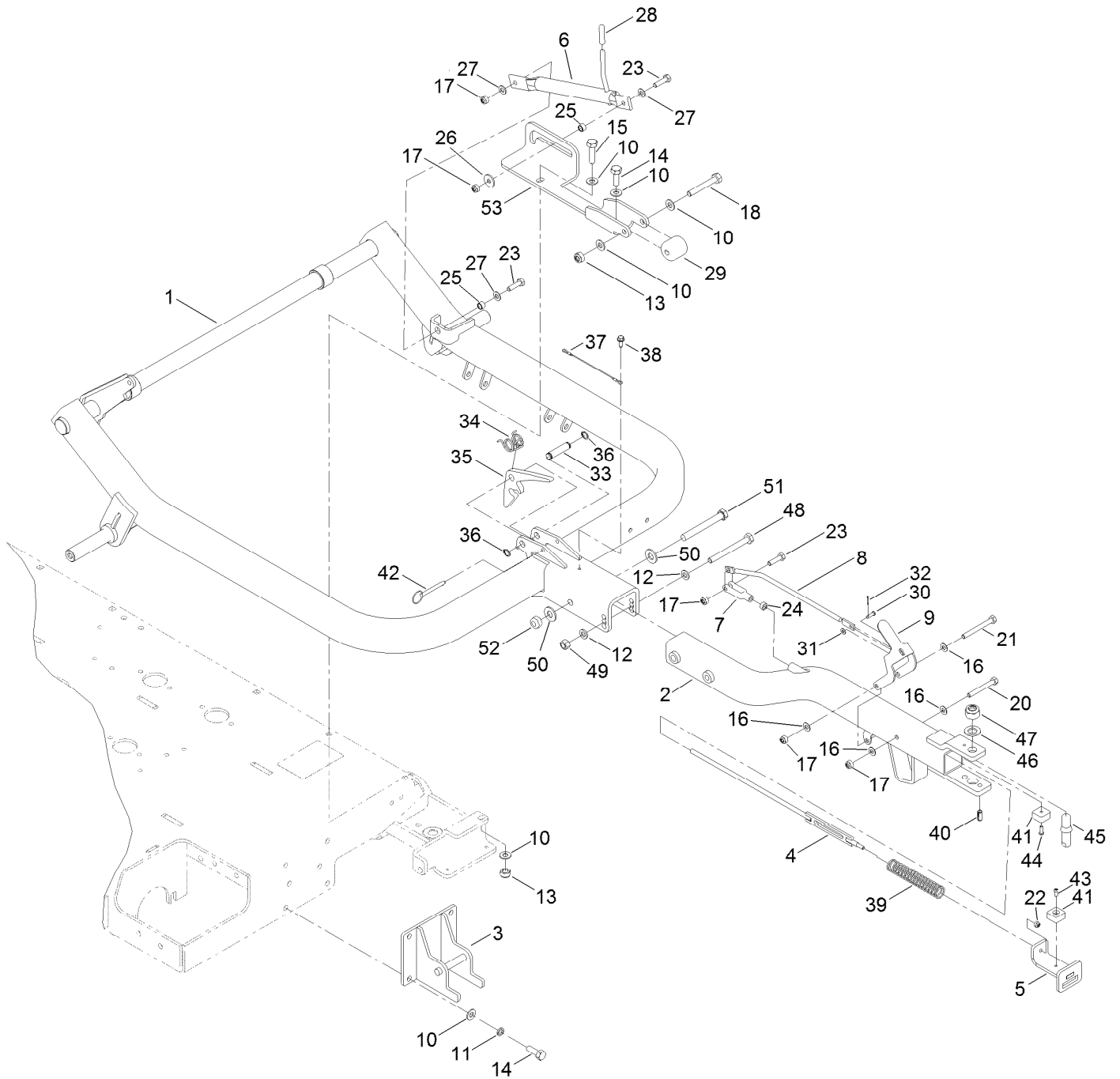
Tire Assembly (continued)

<i>Ref.</i>	<i>Part Number</i>	<i>Qty.</i>	<i>Description</i>	<i>Ref.</i>	<i>Part Number</i>	<i>Qty.</i>	<i>Description</i>
1	127-8044	3	Clamp-Drawbar	15	ZNN1J000U	3	Nut-Hex, NI
2	111-5681	3	Plate-Clamp, Axle	16	111-5858	2	Spacer-Bearing
3	09480	8	Washer-Lock	17	111-7103-03	2	Wheel Hub ASM
4	ZBH1J075U	6	Bolt-HH	17:1		1	Wheel Hub ASM ■●
5	127-1351	1	Pedal Pivot ASM	17:1:3	94-4143	4	Stud-Wheel
5:2	256-311	2	Bushing-Split	18	111-5678	2	Wheel And Tire ASM
6	ZWQ1J000U	11	Washer-Plain	18:1	111-5755	1	Tire
7	127-1353	1	Spring-Torsion	18:2	111-5756	1	Rim-Wheel
8	127-1355	1	Spacer	19	93-5268	8	Nut-Lug
9	138-9077-01	1	Pedal-Lift	20	111-5674	2	Collar-Fixing
10	ZBH1J095U	1	Bolt-HH	21	09392	2	Screw-HH
11	09475	6	Washer	22	09399	2	Bolt
12	09441	4	Nut-Hex, NI	23	127-1342	2	Roller
13	127-1326	1	Damper	24	ZBH1H070U	2	Bolt
14	125-5696	1	Spring-Gas	25	120-4621	4	Bearing

● Not illustrated

■ Not serviced separately

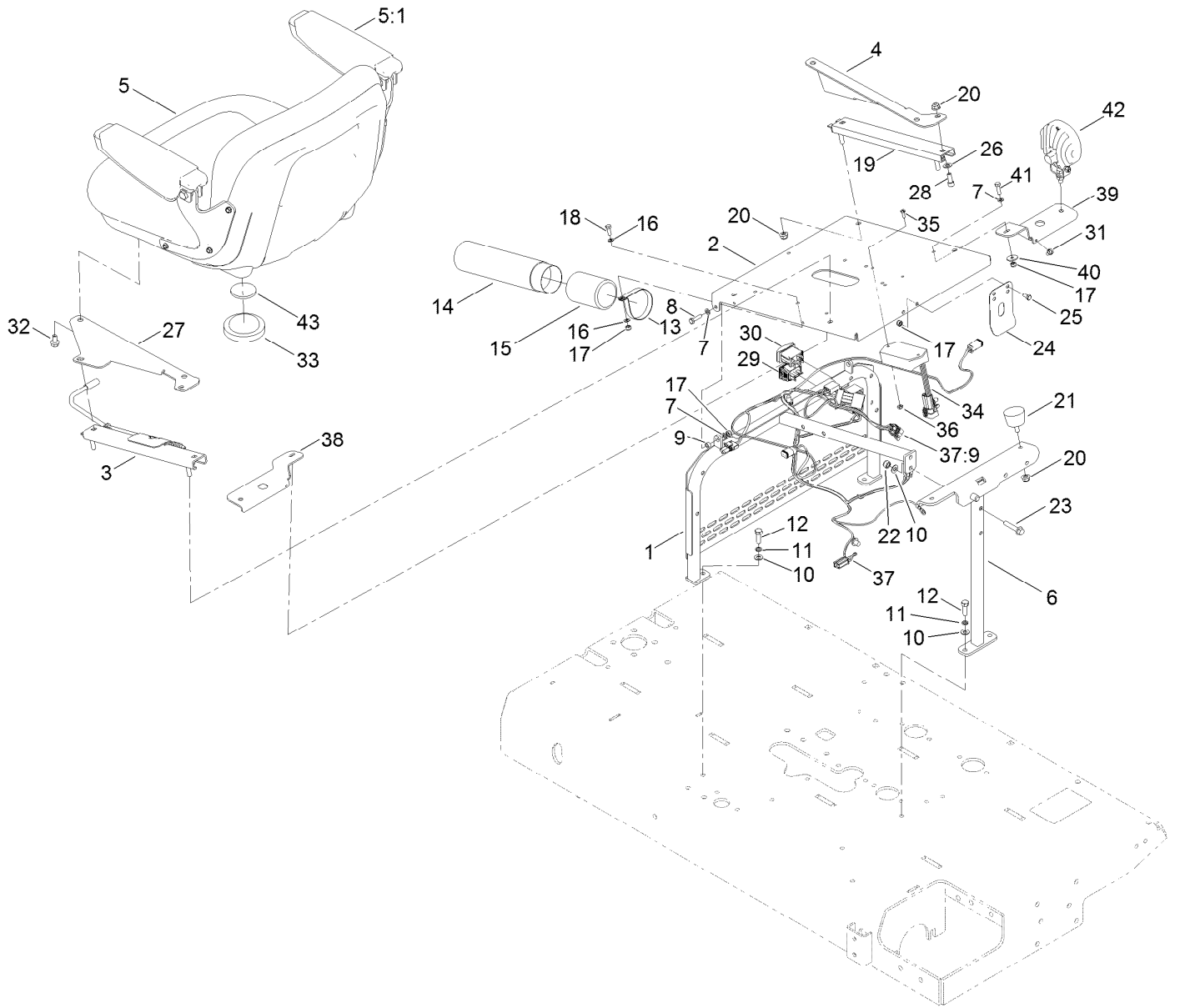
Lifting Mechanism Assembly



Lifting Mechanism Assembly (continued)

<i>Ref.</i>	<i>Part Number</i>	<i>Qty.</i>	<i>Description</i>	<i>Ref.</i>	<i>Part Number</i>	<i>Qty.</i>	<i>Description</i>
1	131-6437-01	1	Hitch Pivot ASM	28	125-5722	1	Cap-Flex
2	132-4770-01	1	Hitch	29	127-1342	1	Roller
3	132-7075-01	1	Bracket-Lock	30	283-29	1	Pin-Clevis
4	125-5743	1	Lever-Slide	31	3256-51	1	Washer-Flat
5	132-4775-01	1	Bracket-Slide	32	3272-1	1	Pin-Cotter
6	132-4826-01	1	Lever-Lock, Hitch	33	125-5731	1	Pin-Lock, Lever
7	1-303105	1	Yoke-Adjustable	34	125-5723	1	Spring-Torsion
8	127-1317	1	Wire-Form	35	125-5711-01	1	Latch-Hitch
9	132-9262	1	Lever	36	32151-61	2	Ring-Retaining
10	ZWQ1J000U	10	Washer-Plain	37	28-8070	1	Lanyard
11	09480	4	Washer-Lock	38	32144-10	1	Screw-HWH
12	107-1413	2	Washer-Hardened	39	125-5737	1	Spring-Compression
13	ZNN1J000U	3	Nut-Hex, NI	40	32121-123	1	Pin-Roll
14	09392	5	Screw-HH	41	94-1392	2	Pad-Rubber
15	09611	1	Bolt-HH	42	108-0094	1	Pin-Cotterless
16	09475	4	Washer	43	127-5866	1	Screw-HSBH
17	09441	5	Nut-Hex, NI	44	119-7568	1	Screw-HSBH
18	09399	1	Bolt	45	127-5861	1	Pin-Tow
20	ZBH1H065U	1	Bolt	46	09491	1	Washer-Plain
21	ZBH1H075U	1	Bolt	47	09456	1	Nut
22	09438	1	Nut-Nyloc	48	127-5864	1	Screw-HH
23	09369	3	Screw-HH	49	131-1558	1	Nut-Lock
24	09207	1	Nut	50	87-7270	2	Washer-Thrust
25	120-9697	2	Spacer	51	131-1557	1	Screw-HH
26	1-603716	1	Washer-Friction	52	94-4307	1	Nut-Hex, Lock
27	3256-23	3	Washer-Plain	53	133-1756-01	1	Bracket-Slide

Seat Assembly

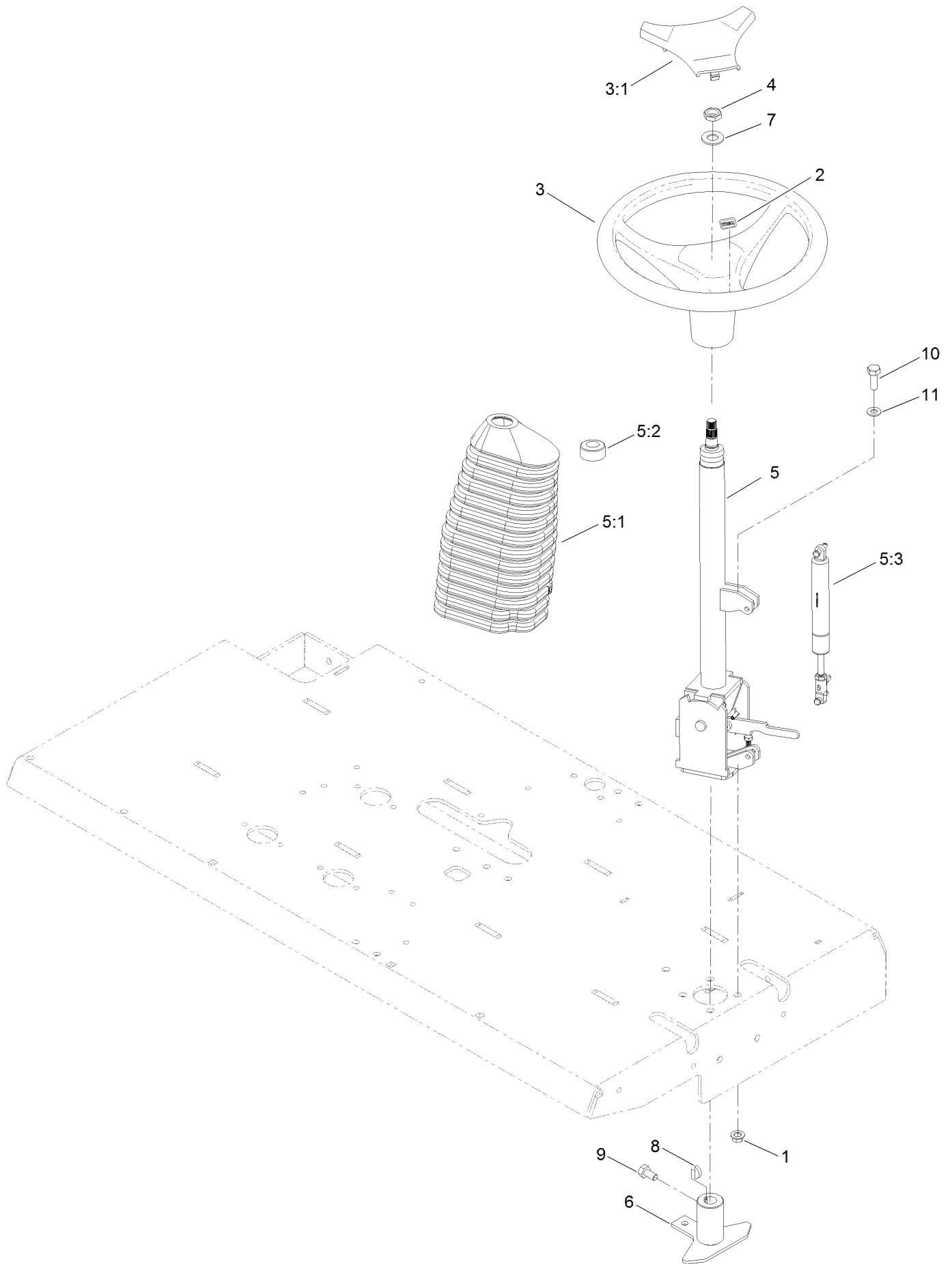


Seat Assembly (continued)

<i>Ref.</i>	<i>Part Number</i>	<i>Qty.</i>	<i>Description</i>	<i>Ref.</i>	<i>Part Number</i>	<i>Qty.</i>	<i>Description</i>
1	131-6449-03	1	Seat Support	23	33104-040	1	Screw-HHF
2	131-6447-03	1	Seat Pan	24	66-2630	1	Latch-Seat
3	133-8896	1	Seat Adjuster Lever ASM	25	09361	2	Screw-HH
4	131-6448-03	1	Bracket-Seat, RH	26	3256-23	4	Washer-Plain
5	133-1729	1	Seat Assembly	27	132-4750-03	1	Bracket-Seat, LH
5:1	111-6564	1	Arm Rest Kit	28	3274-10	4	Screw-HSH
6	132-4751-01	1	Support-Frame, Rear	29	120-2244	1	Hourmeter
7	09472	6	Washer-Plain	30	111-6576	1	Switch
8	ZBH1F025U	2	Bolt-HH	31	HY3966	8	Tie-Cable
9	88-7860	2	Spacer	32	33104-016	4	Screw-HHF
10	09475	5	Washer	33	100-3524	1	Switch-Seat
11	03469	4	Washer-Spring	34	122-0423	1	Module-Ground, Magneto
12	03162	4	Screw-HH	35	32105-8	2	Screw-SHH
13	107-1865	2	R-Clamp	36	110-3145	2	Nut-Lock
14	104-7050	1	Tube-Manual	37	122-0832	1	Harness-Wire
15	104-7048	1	Cap-Housing	37:9	122-1006	1	Harness-Wire, Jumper
16	ZWP1F000U	4	Washer-Plain	38	132-4806-03	1	Light Mount
17	09438	8	Nut-Nyloc	39	132-4805-03	1	Light Mount
18	09362	2	Screw-HH	40	09263	2	Washer
19	92-8990	1	Adjuster-Slave	41	09363	2	Screw-HH
20	104-8300	10	Nut-HF, NI	42	133-8793	2	Light-LED
21	68-3270	2	Bumper-Rubber	43	133-2797	1	Disc-Plunger
22	09441	1	Nut-Hex, NI	99	107-0342	1	Sealant-Electrical ●

● Not illustrated

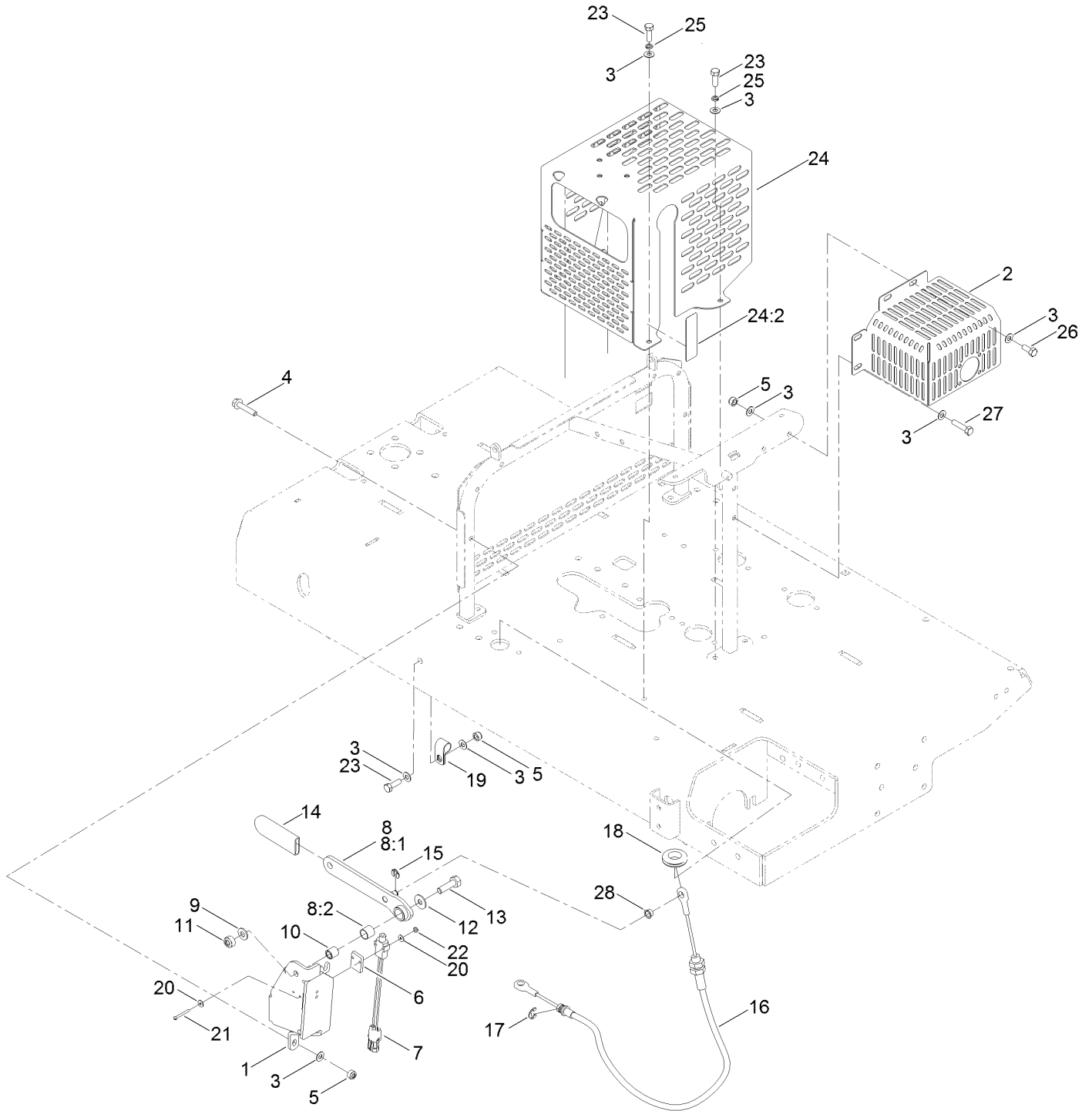
Steering Wheel Assembly



Steering Wheel Assembly (continued)

<i>Ref.</i>	<i>Part Number</i>	<i>Qty.</i>	<i>Description</i>	<i>Ref.</i>	<i>Part Number</i>	<i>Qty.</i>	<i>Description</i>
1	63-11-015	4	Nut-Hex	5:3	120-2594	1	Gas Spring ASM
2	98-1459	1	Decal	6	132-7084-01	1	Steering Pivot
3	98-1471	1	Wheel-Steering	7	3256-27	1	Washer-Flat
3:1	98-1468	1	Cover-Wheel, Steering	8	3257-7	1	Key-Woodruff
4	110-8816	1	Nut-Hex	9	09391	1	Screw-HH
5	127-8041	1	Column-Steering	10	09392	4	Screw-HH
5:1	120-2592	1	Boot-Rubber, Column	11	ZWQ1J000U	4	Washer-Plain
5:2	120-2593	1	Boot-Rubber, Bearing				

Parking Brake Assembly

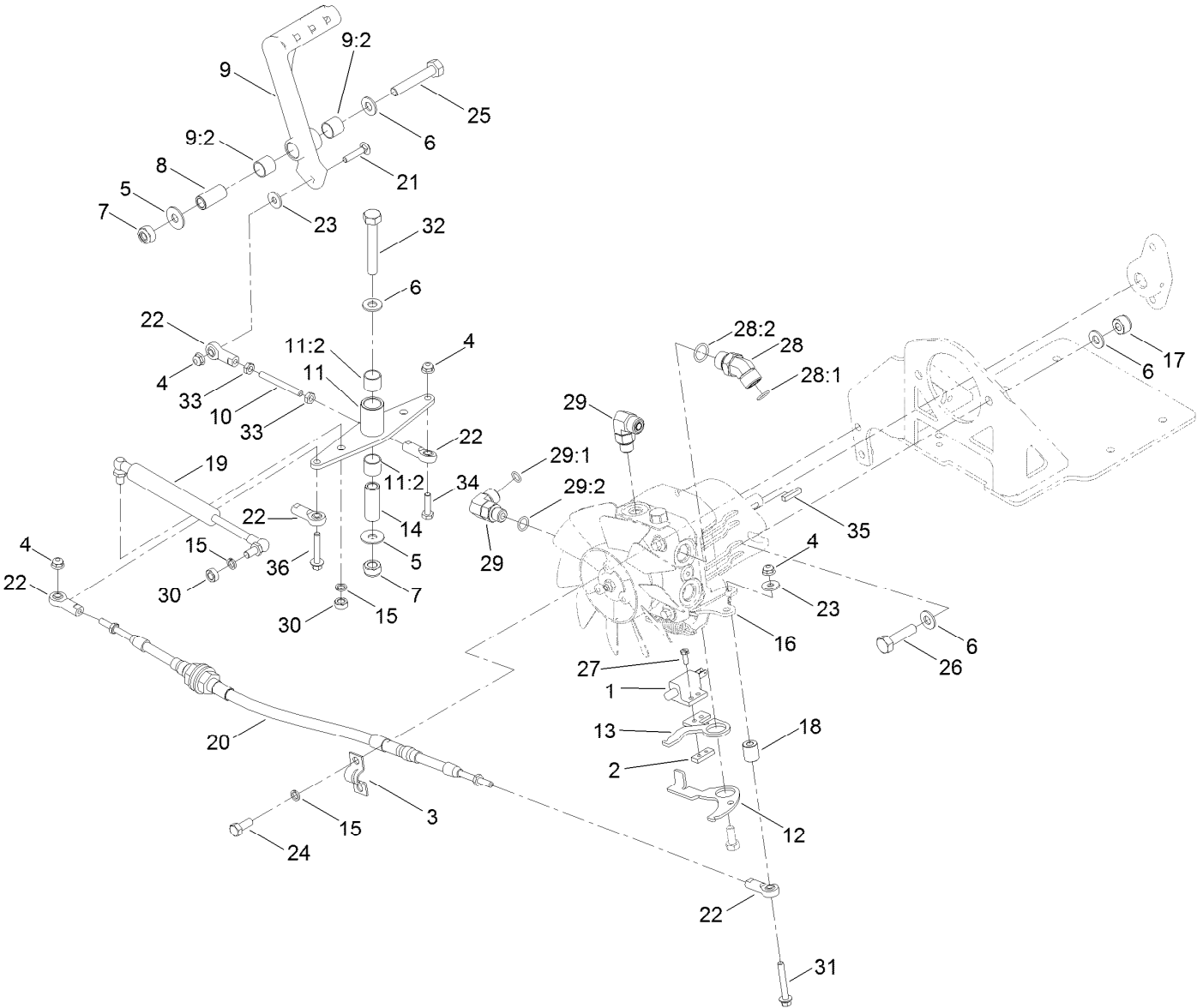


Parking Brake Assembly (continued)

<i>Ref.</i>	<i>Part Number</i>	<i>Qty.</i>	<i>Description</i>	<i>Ref.</i>	<i>Part Number</i>	<i>Qty.</i>	<i>Description</i>
1	132-4837-03	1	Support-Lever, Brake	15	32151-47	1	Ring-Retaining
2	132-4801-03	1	Guard-Exhaust	16	136-6225	1	Cable-Brake, Park
3	09475	14	Washer	17	32120-47	1	Ring-Retaining, External
4	33104-040	3	Screw-HHF	18	1-543286	1	Grommet
5	09441	7	Nut-Hex, NI	19	2412-41	1	Clamp-R
6	131-6383	1	Spacer	20	3269-6	4	Washer-Flat
7	99-3410	1	Switch	21	3249-11	2	Screw-Machine
8	132-4839	1	Brake Handle ASM	22	3296-9	2	Nut-Hex
8:1	132-4838	1	Lever-Brake	23	03162	4	Screw-HH
8:2	256-311	1	Bushing-Split	24		1	Transmission Cover W/Decal ●
9	ZWQ1J000U	1	Washer-Plain	24:2	120-0627	1	Decal-Warning
10	131-6386	1	Bushing-Pivot	25	03469	3	Washer-Spring
11	ZNN1J000U	1	Nut-Hex, NI	26	09368	2	Screw-HH
12	HY03355	1	Washer-Plated	27	ZDH1H035U	1	Screw-HH
13	09394	1	Bolt	28	132-9291	1	Bushing-Cable
14	21-1880	1	Grip-Handle				

● Not serviced separately

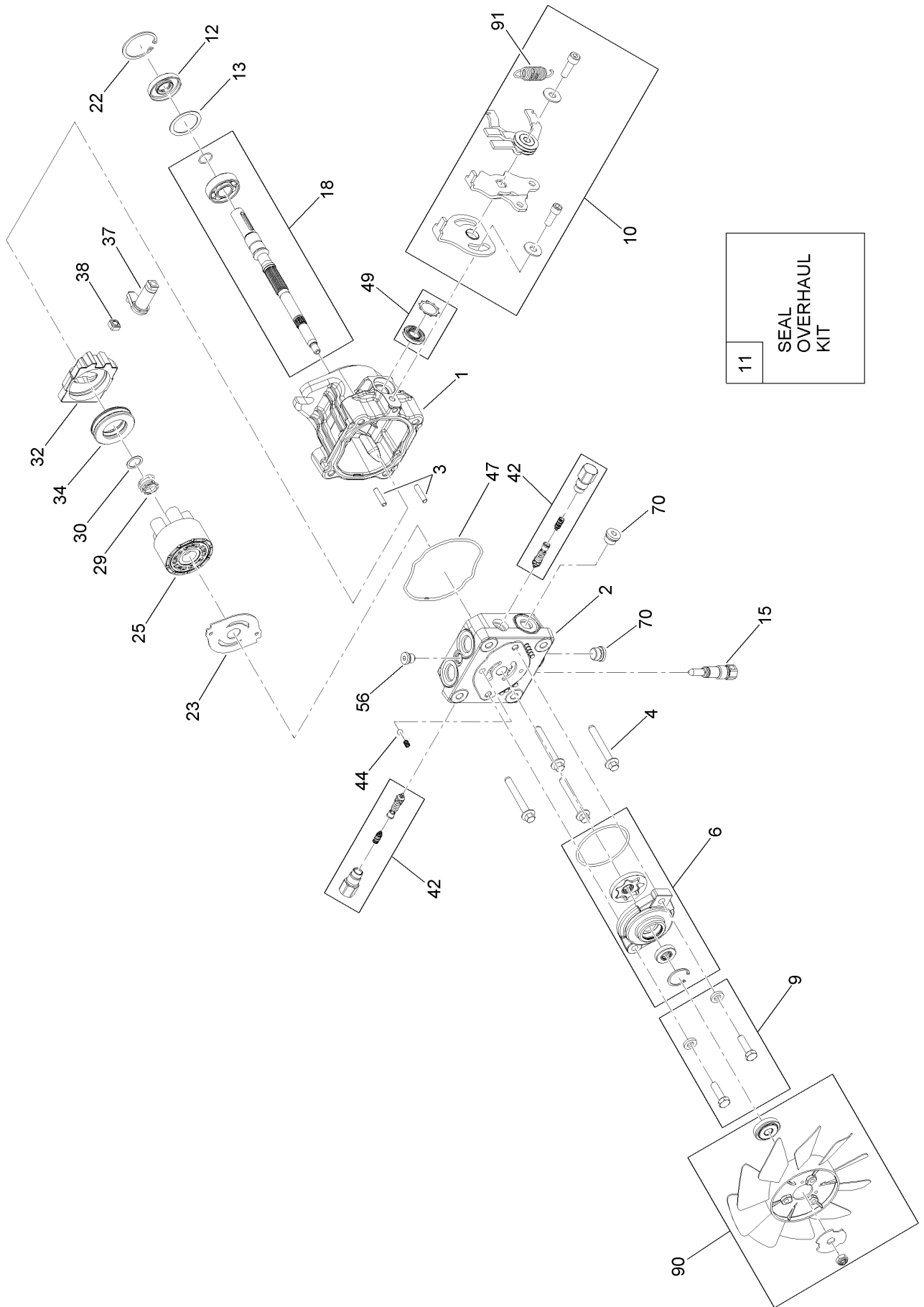
Control Assembly



Control Assembly (continued)

<i>Ref.</i>	<i>Part Number</i>	<i>Qty.</i>	<i>Description</i>	<i>Ref.</i>	<i>Part Number</i>	<i>Qty.</i>	<i>Description</i>
1	1-513051	1	Switch-Open, Normally	20	132-7098	1	Cable-Traction
2	1-633181	1	Plate-Tapped	21	3229-3	2	Screw-CARR
3	93-2092	1	Clamp-Cable	22	2411-41	6	Rod End-Ball Joint
4	104-7201	5	Nut-HF	23	3256-78	3	Washer-Flat
5	HY03355	3	Washer-Plated	24	09368	2	Screw-HH
6	ZWQ1J000U	7	Washer-Plain	25	09397	2	Bolt
7	ZNN1J000U	3	Nut-Hex, NI	26	09611	2	Bolt-HH
8	131-6350	2	Bushing-Pivot	27	32105-8	2	Screw-SHH
9	138-2206	2	Traction Pedal ASM	28	340-101	2	Fitting-HYD, 45 DEG
9:2	256-311	2	Bushing-Split	28:1	237-30	1	O-Ring
10	132-9224	2	Rod-Pedal	28:2	237-79	1	O-Ring
11	138-9084	1	Traction Bellcrank ASM	29	340-77	2	Fitting-Elbow, 90 DEG
11:2	256-311	2	Bushing-Split	29:1	237-22	1	O-Ring
12	138-9106	1	Arm	29:2	237-42	1	O-Ring
13	132-4796	1	Arm	30	ZNH1H000U	2	Nut-Hex
14	138-9085	1	Bushing-Pivot	31	32105-18	1	Screw-HHF
15	03469	4	Washer-Spring	32	09399	1	Bolt
16	132-4797	1	Pump-Hydraulic	33	3220-1	4	Nut-Jam
17	09447	2	Nut	34	321-6	1	Screw-HH
18	132-4798	1	Bushing	35	111-5724	1	Key-Square
19	132-4807	1	Damper	36	94-5781	1	Screw-HHF

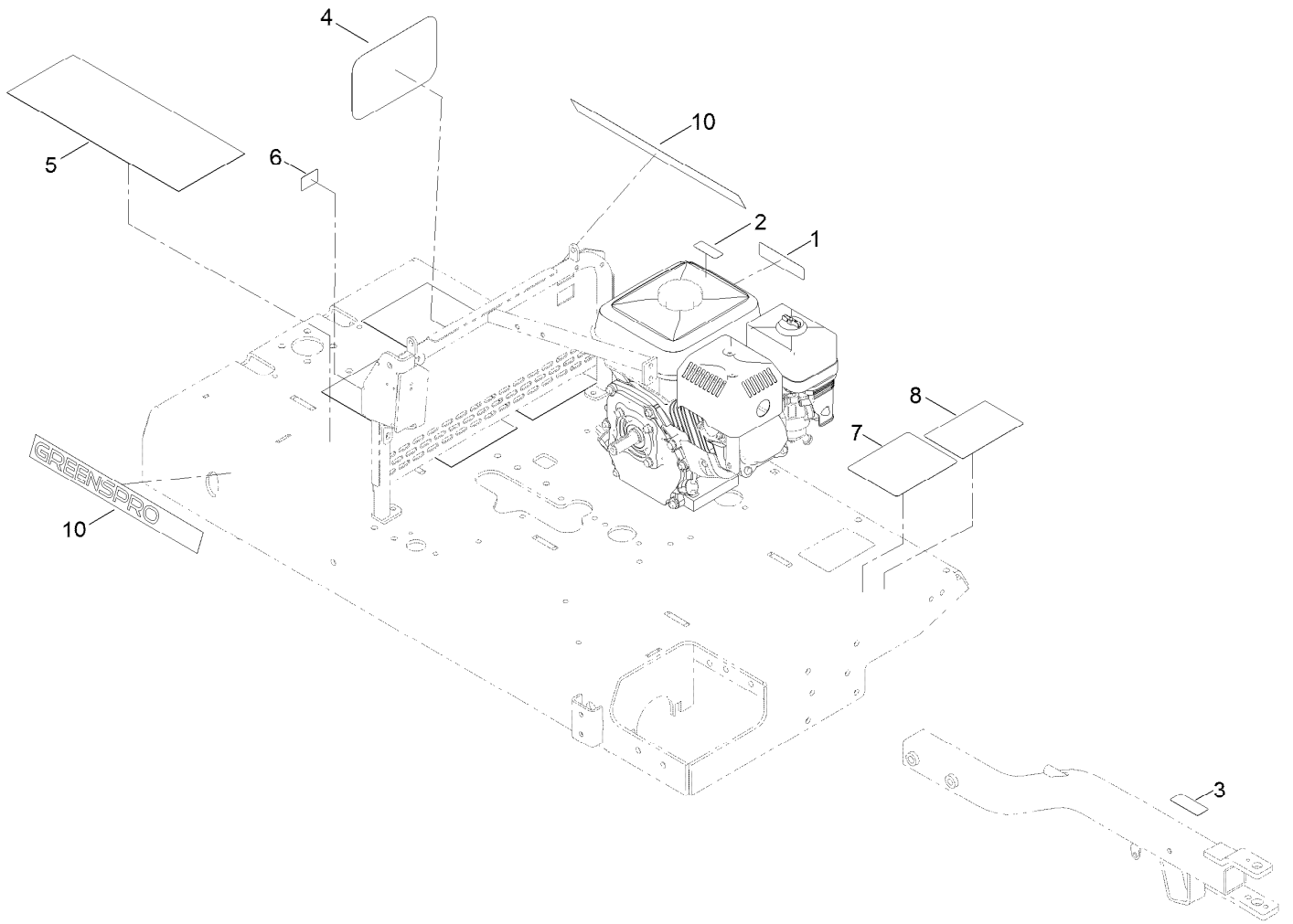
Hydraulic Pump Assembly No. 132-4797



Hydraulic Pump Assembly No. 132-4797 (continued)

<i>Ref.</i>	<i>Part Number</i>	<i>Qty.</i>	<i>Description</i>	<i>Ref.</i>	<i>Part Number</i>	<i>Qty.</i>	<i>Description</i>
1	133-1780	1	Housing Kit	30	133-1794	1	Washer-Flat
2	133-1781	1	Endcap Kit	32	133-1795	1	Swashplate-Coated, 10Cc
3	106-8753	2	Pin-Headless, Straight	34	121-3235	1	Bearing-Thrust, Plastic Cage
4	133-1783	4	Hex Flange Bolt	37	133-1797	1	Arm-Trunnion, Square (Taper)
6	133-1784	1	STD Charge Pump Kit	38	133-1798	1	Slot-Guide
9	133-1785	1	Charge Pump Bolt Kit	42	133-1799	2	Shock Valve 160 Bar Kit
10	115-4459	1	Return Kit	44	136-6150	1	Charge Relief Kit
11	105-6184	1	Seal Overhaul Kit	47	125-4682	1	O-Ring
12	104-5310	1	Seal-Lip	49	106-8761	1	Trunnion Seal / Retainer Kit
13	133-1787	1	Washer-Flat	56	106-8762	1	Plug-HSH
15	106-8759	1	Bypass Valve Kit	70	104-2189	2	Plug-Thread, Straight
18	133-1789	1	Shaft Kit	90	136-6154	1	Fan/Hub Kit
22	104-5309	1	Ring-Retaining	91	115-8307	1	Spring-Extension
23	105-6185	1	Plate-Valve				
25	103-2666	1	Cylinder Block Kit				
29	133-1793	1	Spring-Block				

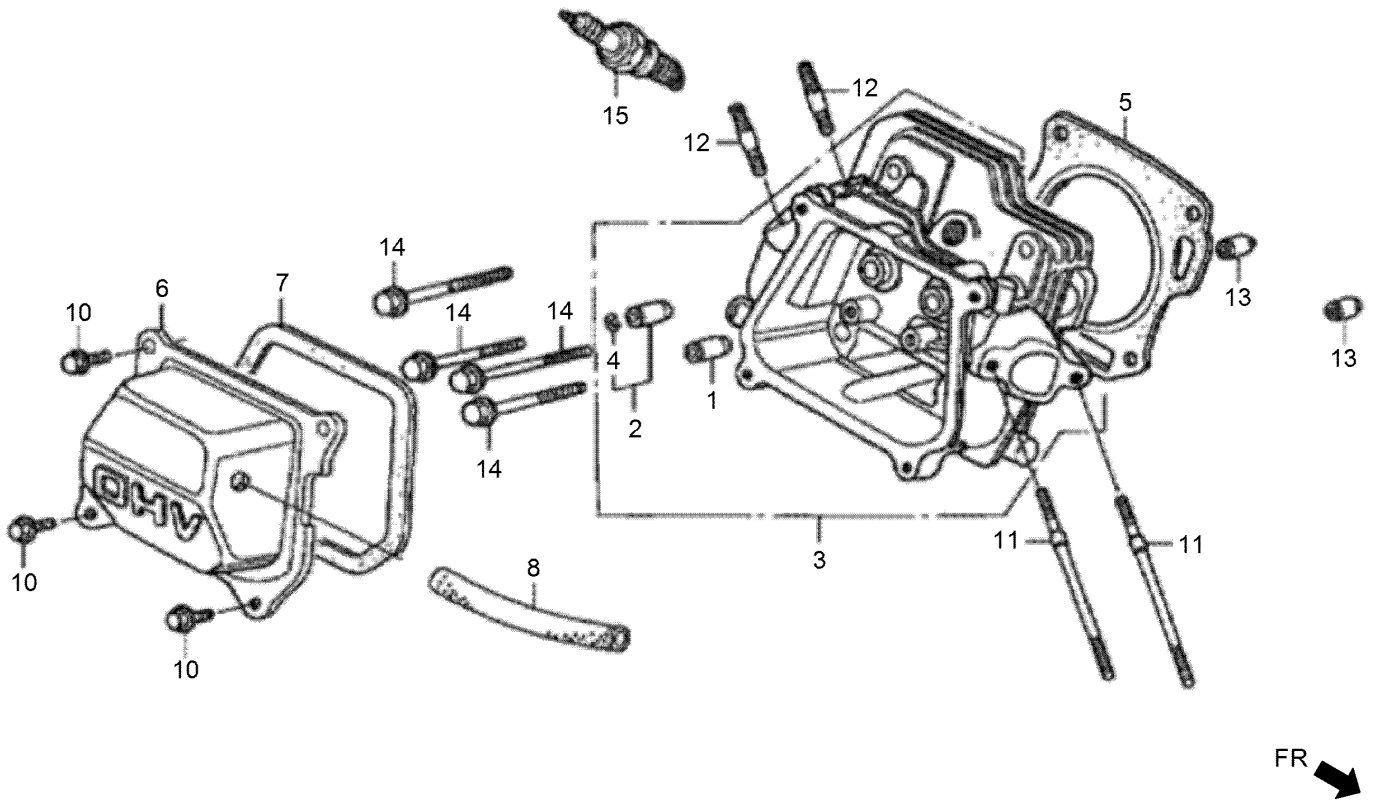
Decal Assembly



Decal Assembly (continued)

<i>Ref.</i>	<i>Part Number</i>	<i>Qty.</i>	<i>Description</i>	<i>Ref.</i>	<i>Part Number</i>	<i>Qty.</i>	<i>Description</i>
1	133-8062	1	Decal-Arrestor, Spark	6	131-0440	1	Decal-Brake, Parking
2	130-8322	1	Decal-Warning, Ethanol	7	138-9134	1	Decal-Service, Gp1260
3	127-5885	1	Decal-Disconnect, Hitch	8	127-5884	1	Decal-Operation
4	67-7320	1	Decal	10	132-9298	2	Decal
5	70-07-067	4	Tape-Slip, Anti				

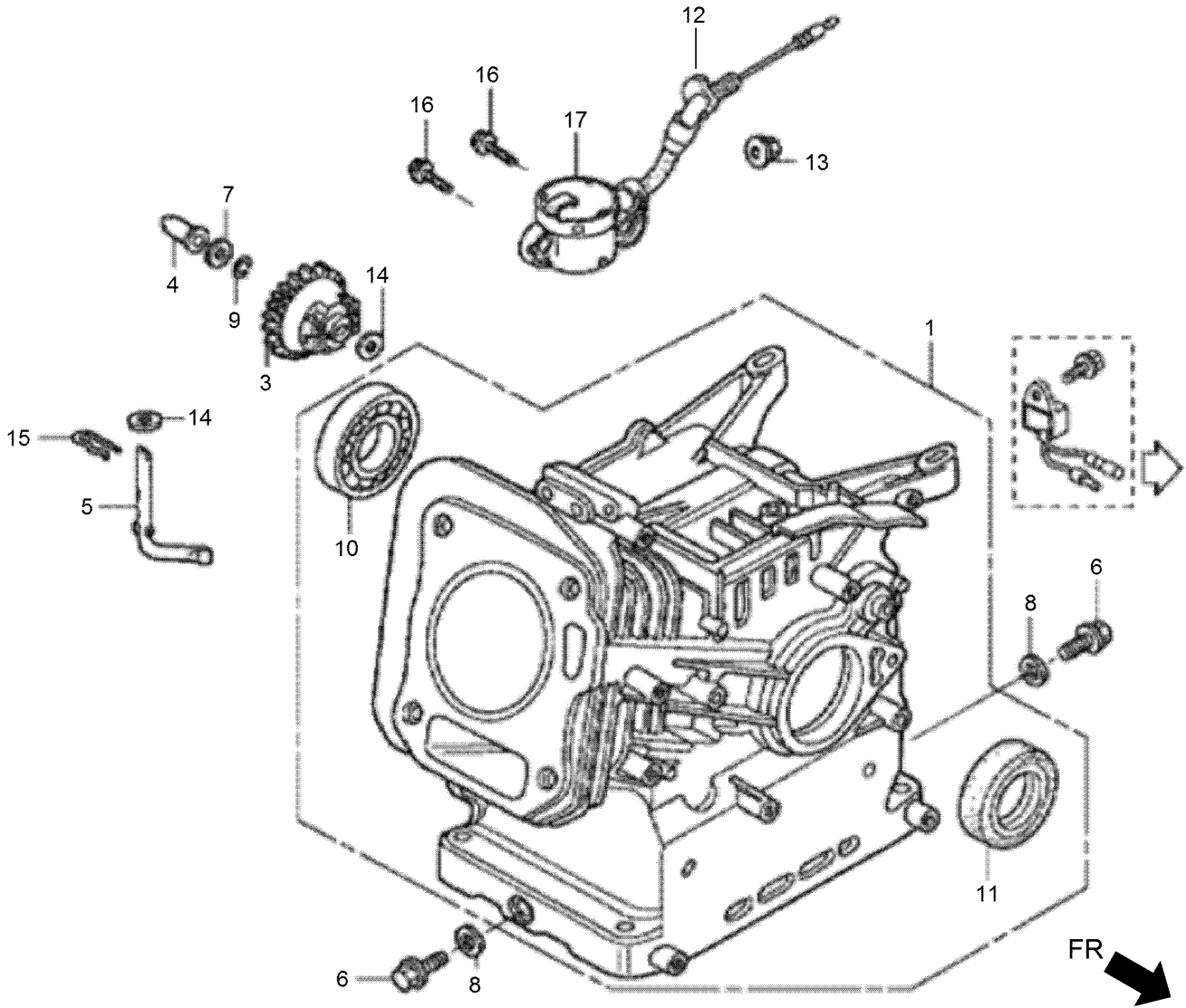
Cylinder Head Assembly



Cylinder Head Assembly (continued)

<i>Ref.</i>	<i>Part Number</i>	<i>Qty.</i>	<i>Description</i>	<i>Ref.</i>	<i>Part Number</i>	<i>Qty.</i>	<i>Description</i>
1	132-0118	1	Guide-Intake Valve	8	132-0234	1	Tube-Breather
2	132-0119	1	Guide-Exhaust Valve	10	132-4880	4	Bolt-Flange-6X12
3	132-0124	1	Cylinder Head ASM	11	132-0612	2	Bolt-Stud-6X112
4	132-0125	1	Clip-Valve Guide	12	132-0615	2	Bolt-Stud-8X32
5	132-0126	1	Gasket-Cylinder Head	13	132-0697	2	Dowel Pin-10X16
6	132-0127	1	Head Cover ASM	14	131-8226	4	Bolt-Flange-8X60
7	132-0133	1	Packing-Head Cover	15	131-8233	1	Sparkplug

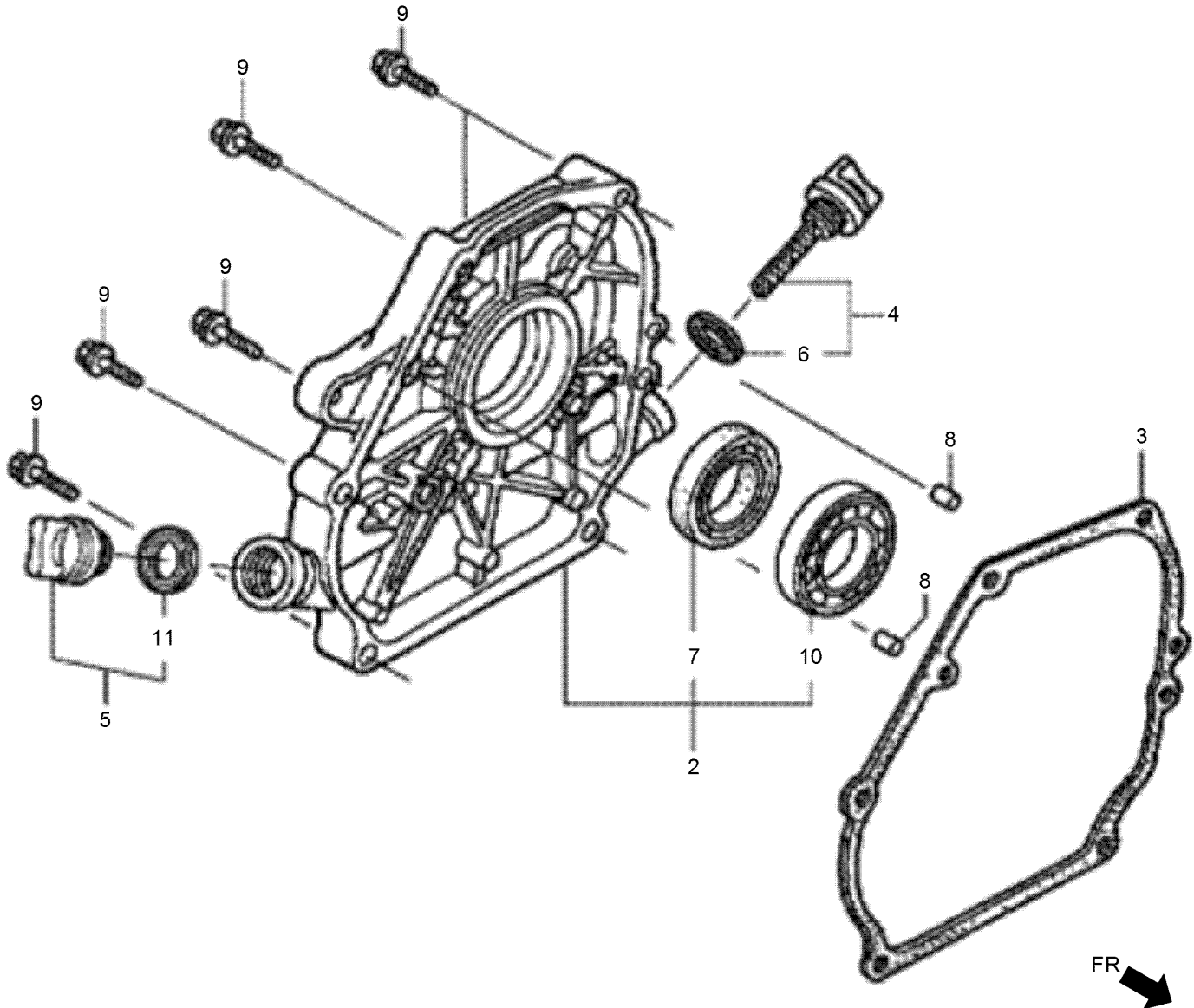
Cylinder Barrel Assembly



Cylinder Barrel Assembly (continued)

<i>Ref.</i>	<i>Part Number</i>	<i>Qty.</i>	<i>Description</i>	<i>Ref.</i>	<i>Part Number</i>	<i>Qty.</i>	<i>Description</i>
1	132-0114	1	Barrel ASM-Cylinder	10	132-0649	1	Bearing-Radial Ball
3	132-0294	1	Governor ASM	11	132-0654	1	Oil Seal-25X41X6
4	132-0304	1	Slider-Governor	11	132-0658	1	Oil Seal-25X41.25X6
5	132-0307	1	Shaft-Governor Arm	12	132-0668	1	O-Ring-14Mm
6	132-0622	2	Bolt-Drain Plug	13	132-0686	1	Nut-Flange-10Mm
7	132-0635	1	Washer-Thrust-6Mm	14	132-0688	2	Washer-Plain-6Mm
8	132-0640	2	Washer-Drain Plug-10.2Mm	15	132-0693	1	Pin-Lock-8Mm
9	132-0642	1	Clip-Governor Holder	16	131-8221	2	Bolt-Flange-6X12
10	132-0651	1	Bearing-Radial Ball	17	132-0532	1	Switch ASM-Oil Level
10	132-0650	1	Bearing-Radial Ball				

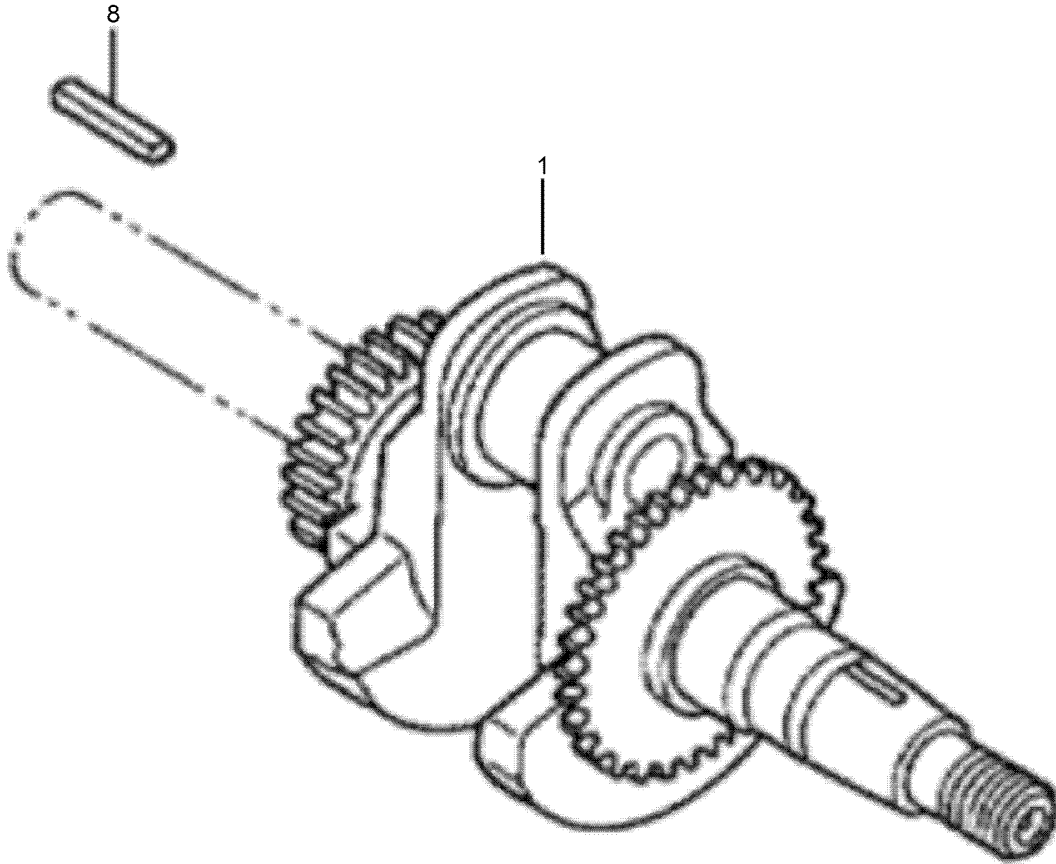
Crankcase Cover Assembly



Crankcase Cover Assembly (continued)

<i>Ref.</i>	<i>Part Number</i>	<i>Qty.</i>	<i>Description</i>	<i>Ref.</i>	<i>Part Number</i>	<i>Qty.</i>	<i>Description</i>
2	132-0103	1	Cover ASM-Crankcase	7	132-0658	1	Oil Seal-25X41.25X6
3	132-0108	1	Packing-Case Cover	8	132-0695	2	Dowel Pin-8X14
4	132-0220	1	Cap ASM-Oil Filler	9	131-8225	6	Bolt-Flange-8X32
5	132-0221	1	Cap ASM-Oil Filler	10	131-8227	1	Bearing-Radial Ball-6205
6	132-0224	1	Packing-Oil Filler Cap	11	132-0224	1	Packing-Oil Filler Cap
7	132-0654	1	Oil Seal-25X41X6				

Crankshaft Assembly

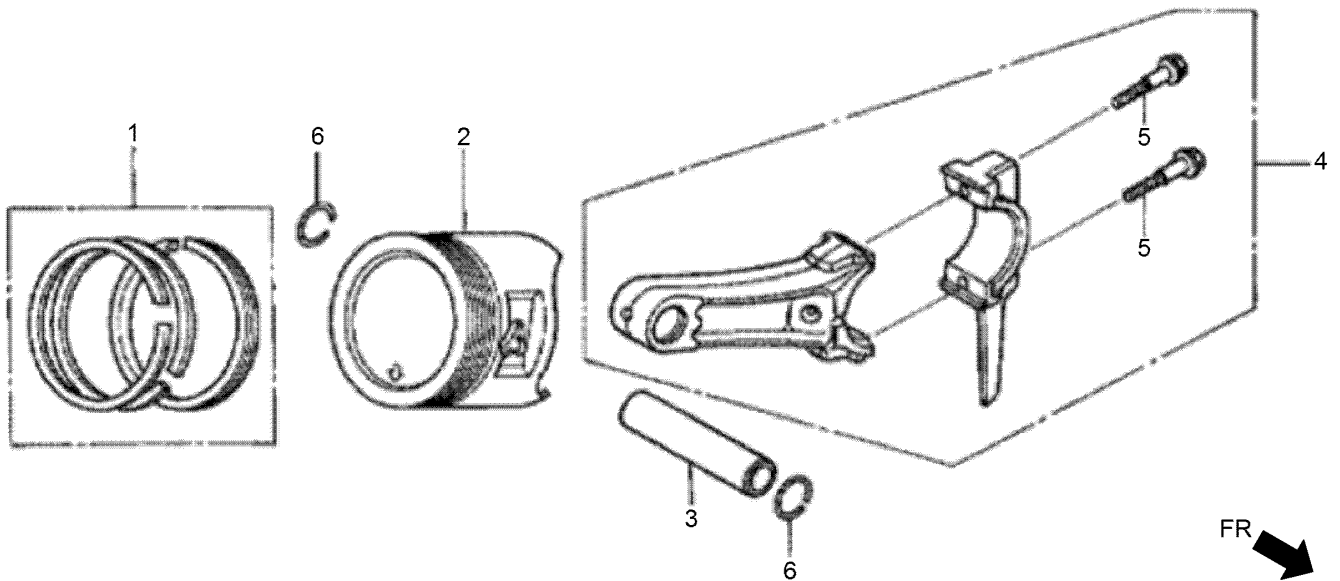


FR 

Crankshaft Assembly (continued)

<i>Ref.</i>	<i>Part Number</i>	<i>Qty.</i>	<i>Description</i>
1	132-0164	1	Crankshaft ASM
8	132-0647	1	Key-5X5X33

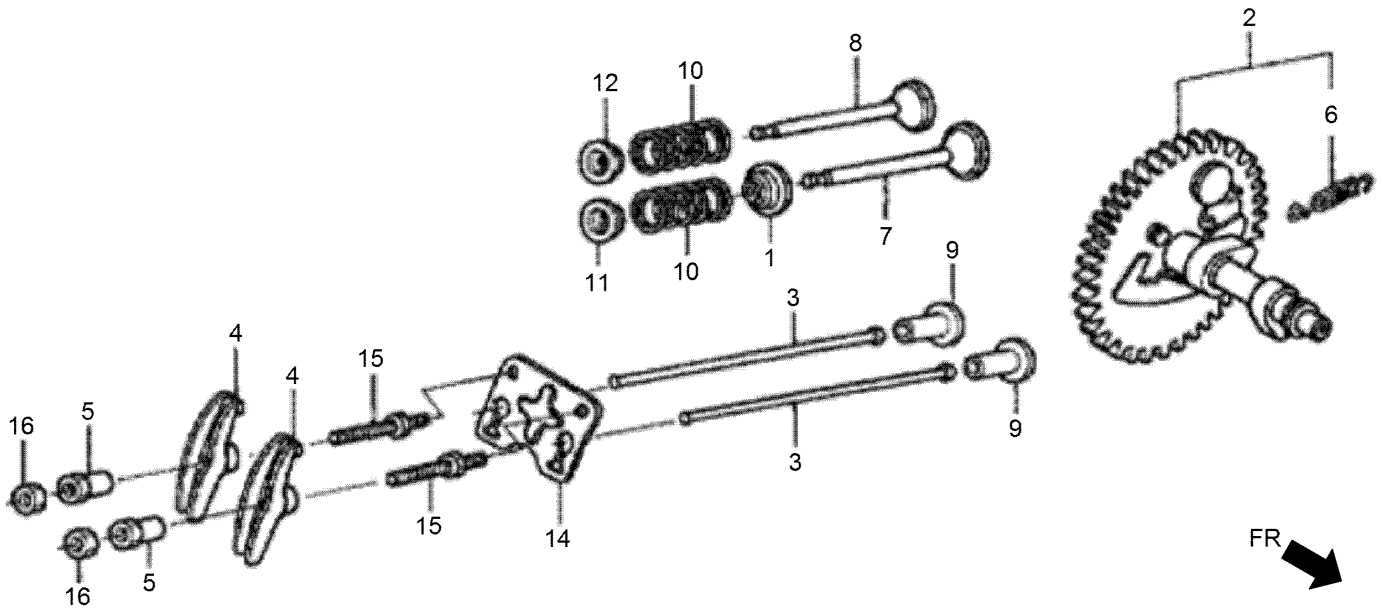
Piston and Connecting Rod Assembly



Piston and Connecting Rod Assembly (continued)

<i>Ref.</i>	<i>Part Number</i>	<i>Qty.</i>	<i>Description</i>	<i>Ref.</i>	<i>Part Number</i>	<i>Qty.</i>	<i>Description</i>
1	132-0137	1	Ring Set-Piston (STD)	4	132-0155	1	Rod ASM-Connecting
1	132-0138	1	Ring Set-Piston (STD)	5	132-0573	2	Bolt-Connecting Rod
2	132-0144	1	Piston	6	132-0637	2	Clip-Piston Pin-18Mm
3	132-0150	1	Pin-Piston				

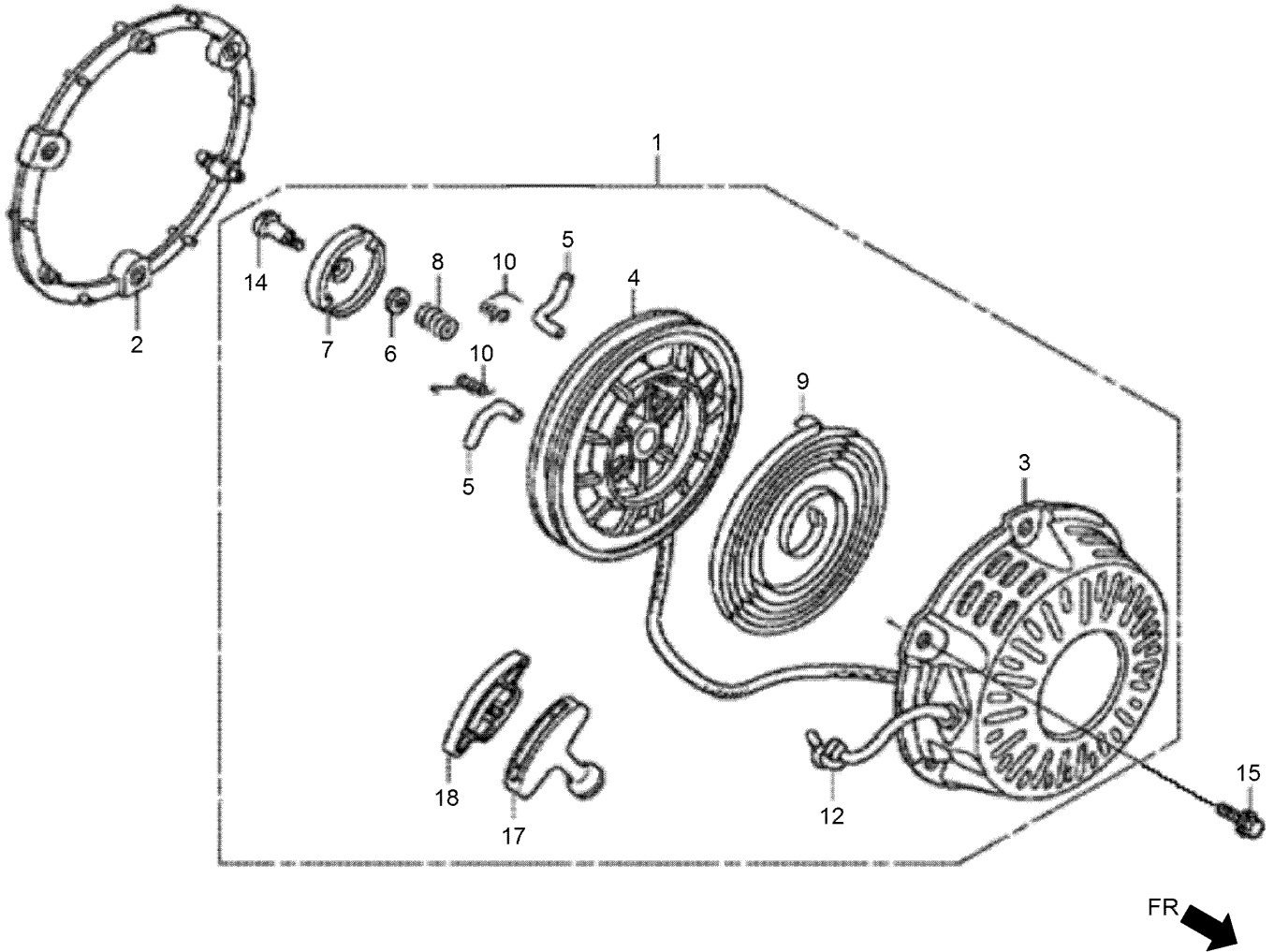
Camshaft Assembly



Camshaft Assembly (continued)

<i>Ref.</i>	<i>Part Number</i>	<i>Qty.</i>	<i>Description</i>	<i>Ref.</i>	<i>Part Number</i>	<i>Qty.</i>	<i>Description</i>
1	132-0120	1	Seal-Valve Stem	10	132-0206	2	Spring-Valve
2	132-0172	1	Camshaft ASM	11	132-0211	1	Retainer-Intake Valve Spring
3	132-0181	2	Rod-Push	12	132-0211	1	Retainer-Intake Valve Spring
4	132-0184	2	Arm-Valve Rocker	14	132-0215	1	Plate-Push Rod Guide
5	132-0188	2	Pivot-Rocker Arm	15	132-0592	2	Bolt-Pivot-8Mm
6	132-0191	1	Spring-Weight Return	16	132-0629	2	Nut-Pivot Adjusting
7	132-0194	1	Valve-Intake				
8	132-0198	1	Valve-Exhaust				
9	132-0203	2	Lifter-Valve				

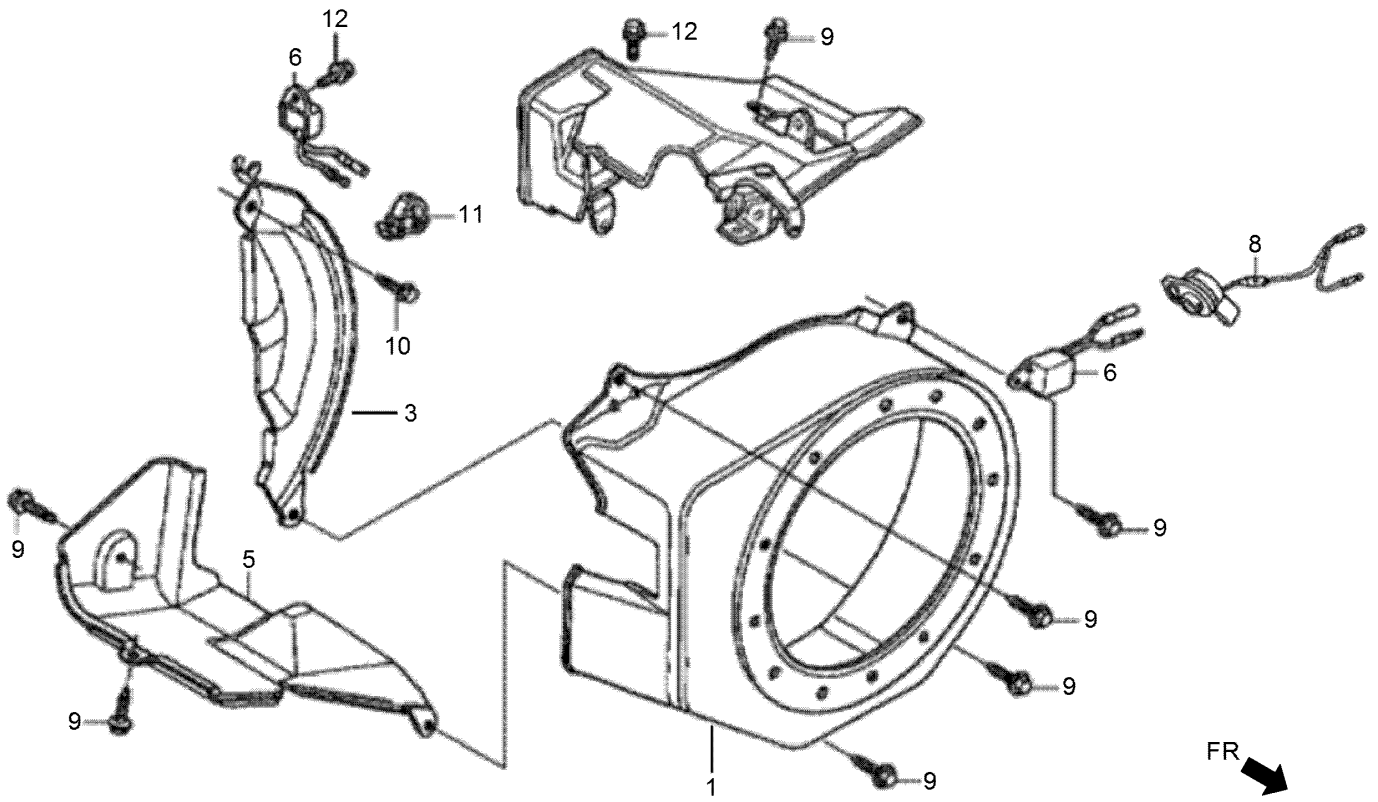
Recoil Starter Assembly



Recoil Starter Assembly (continued)

<i>Ref.</i>	<i>Part Number</i>	<i>Qty.</i>	<i>Description</i>	<i>Ref.</i>	<i>Part Number</i>	<i>Qty.</i>	<i>Description</i>
1	138-9123	1	Starter ASM-Recoil	8	132-0494	1	Spring-Friction
2	132-0485	1	Spacer-Recoil Starter Mtg	9	132-0495	1	Spring-Recoil Starter
3	132-0486	1	Recoil Starter Case ASM (R280)	10	132-0497	2	Spring-Return
4	132-0489	1	Reel-Recoil Starter	12	132-0507	1	Rope-Recoil Starter
5	132-0491	2	Ratchet-Starter	14	132-0579	1	Screw-Setting
6	132-0492	1	Plate-Friction	15	131-8223	3	Bolt-Flange-6X18
7	132-0493	1	Guide-Ratchet	17	132-0502	1	Knob-Recoil Starter
				18	132-0509	1	Knob-Reinforcement

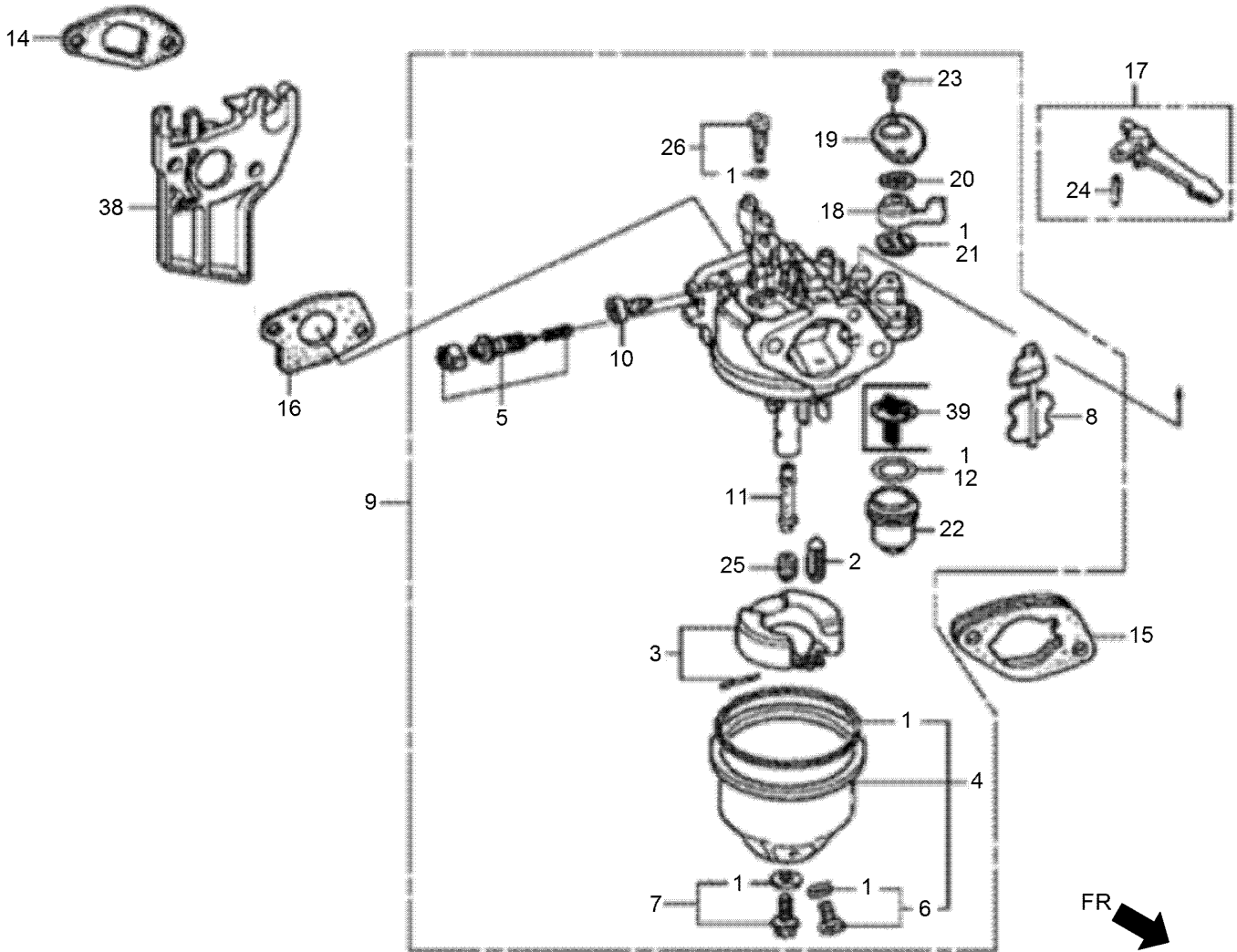
Fan Cover Assembly



Fan Cover Assembly (continued)

<i>Ref.</i>	<i>Part Number</i>	<i>Qty.</i>	<i>Description</i>	<i>Ref.</i>	<i>Part Number</i>	<i>Qty.</i>	<i>Description</i>
1	132-0464	1	Fan Cover ASM (R280)	9	132-4880	6	Bolt-Flange-6X12
3	132-0469	1	Side Plate ASM	10	132-0605	1	Bolt-Flange-6X20
5	132-0473	1	Shroud ASM	11	132-0641	1	Clip-Harness
6	132-0529	1	Alert Unit-Oil	12	131-8220	1	Bolt-Flange-6X8
8	132-0530	1	Switch ASM-Engine Stop				

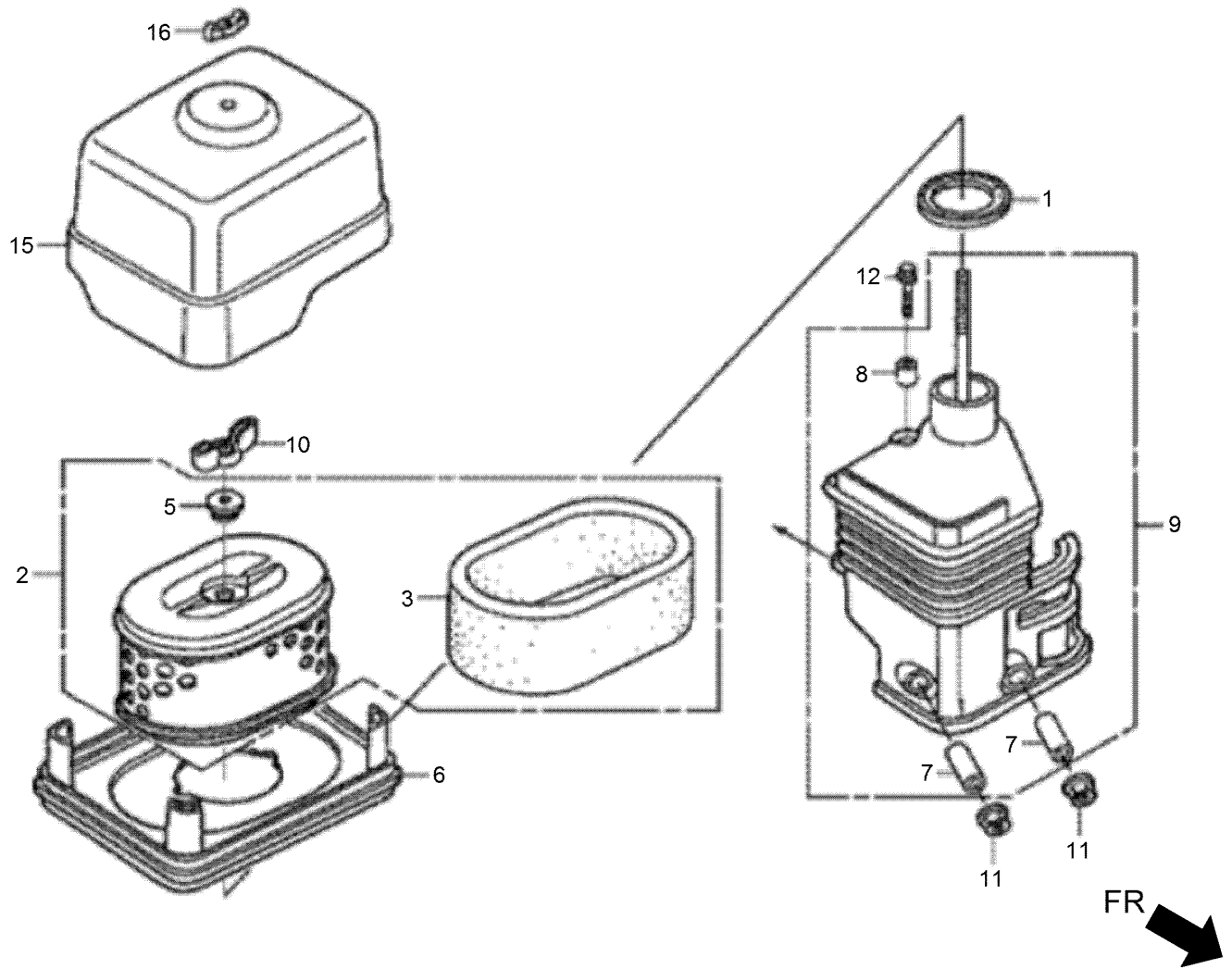
Carburetor Assembly



Carburetor Assembly (continued)

<i>Ref.</i>	<i>Part Number</i>	<i>Qty.</i>	<i>Description</i>	<i>Ref.</i>	<i>Part Number</i>	<i>Qty.</i>	<i>Description</i>
1	132-0239	1	Gasket Set	16	132-0287	1	Packing-Carburetor
2	132-0241	1	Valve Set-Float	17	132-0343	1	Choke Lever ASM
3	132-0242	1	Float Set	18	132-0359	1	Lever-Cock
4	132-0247	1	Chamber Set-Float	19	132-0360	1	Plate-Lever Setting
5	132-0250	1	Screw Set-Pilot	20	132-0362	1	Spring-Cock Lever
6	132-0251	1	Screw Set-Drain	21	132-0364	1	Packing-Fuel Cock
7	132-0253	1	Screw Set	22	132-0366	1	Cup-Fuel Strainer
8	132-0257	1	Choke Set	23	132-0676	2	Screw-Pan-3X6
9	132-0265	1	Carburetor ASM	24	132-0698	1	Pin-Spring-2X12
10	132-0268	1	Screw-Throttle Stop	25	131-8237	1	Jet-Main, No. 75
11	132-0272	1	Nozzle-Main	26	131-8239	1	Jet Set-Pilot, No. 40
12	132-0276	1	Packing-Fuel Strainer Cup	38	132-0278	1	Insulator-Carburetor
14	132-0281	1	Packing-Insulator	39	132-0365	1	Filter-Cup
15	132-0284	1	Carburetor Spacer ASM				

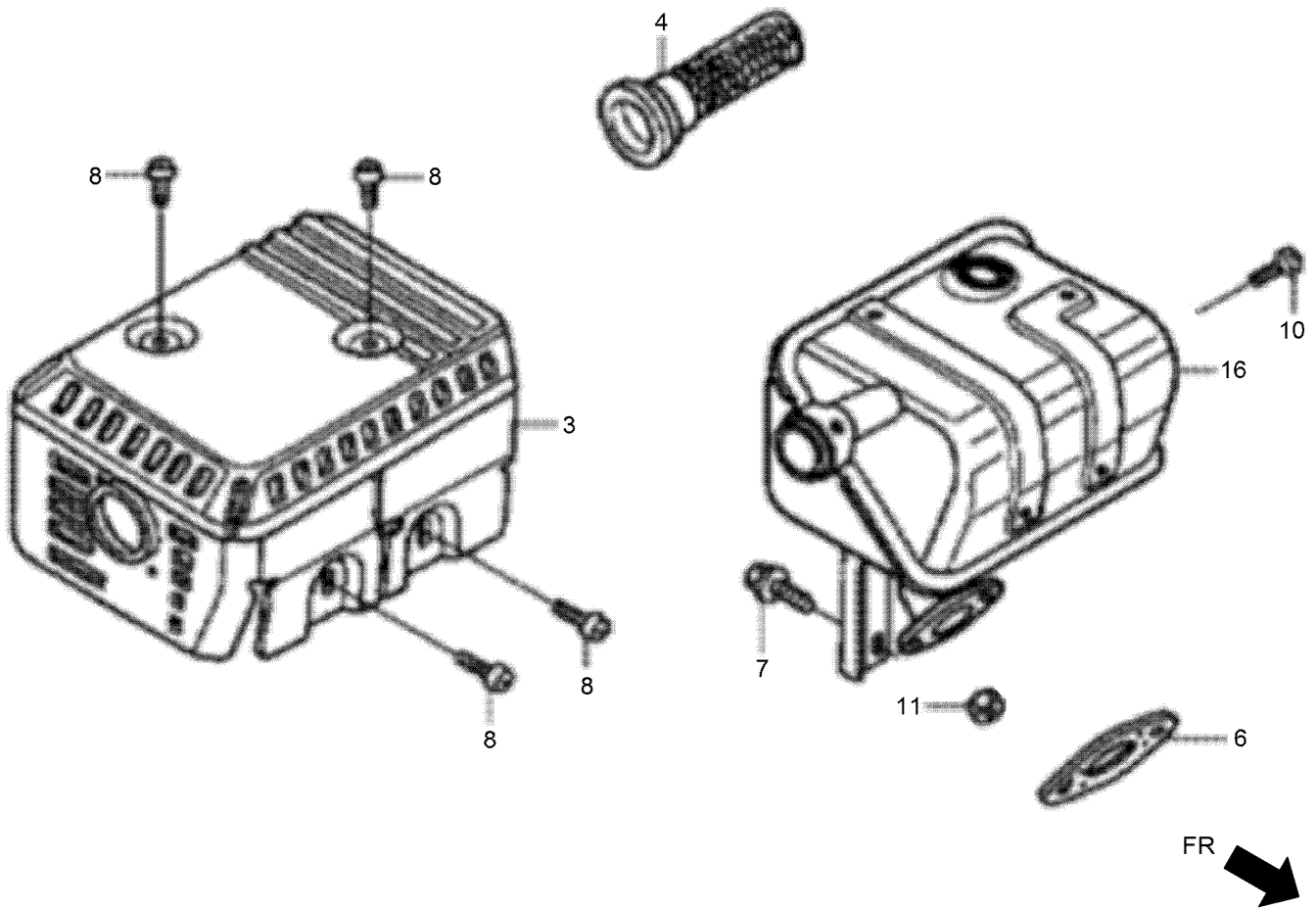
Air Cleaner Assembly



Air Cleaner Assembly (continued)

<i>Ref.</i>	<i>Part Number</i>	<i>Qty.</i>	<i>Description</i>	<i>Ref.</i>	<i>Part Number</i>	<i>Qty.</i>	<i>Description</i>
1	132-0291	1	Packing-Elbow	9	132-0396	1	Elbow Comp-Air Cleaner
2	132-0367	1	Element-Air Cleaner	10	132-0631	1	Nut-Tool Box Setting
3	132-0372	1	Filter-Outer	11	132-4881	2	Nut-Flange-6Mm
5	132-0391	1	Grommet-Air Cleaner	12	131-8224	1	Bolt-Flange-6X20
6	132-0392	1	Nose-Silencer	15	132-0388	1	Cover-Air Cleaner
7	132-0393	2	Collar-Air Cleaner	16	132-0630	1	Nut-Air Cleaner
8	132-0394	1	Collar B-Air Cleaner				

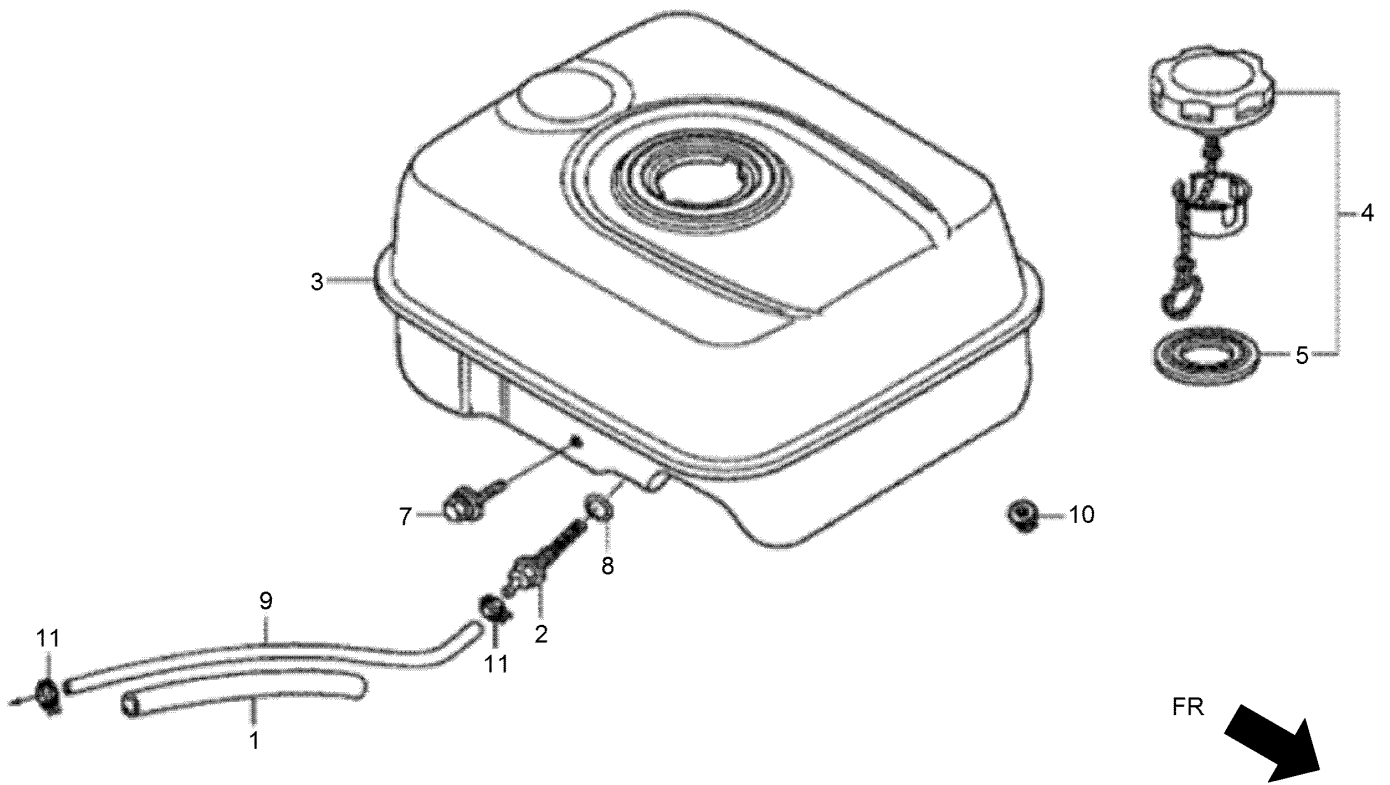
Muffler Assembly



Muffler Assembly (continued)

<i>Ref.</i>	<i>Part Number</i>	<i>Qty.</i>	<i>Description</i>	<i>Ref.</i>	<i>Part Number</i>	<i>Qty.</i>	<i>Description</i>
3	132-0453	1	Muffler Protector ASM	8	132-0616	4	Screw-Tapping-5X8
4	132-0456	2	Arrester-Spark	10	132-0617	1	Screw-Tapping-4X6
6	132-0457	2	Gasket-Muffler	11	132-0684	2	Nut-Hex-8Mm
7	132-0600	1	Bolt-Flange-6X13	16	132-0446	1	Muffler ASM

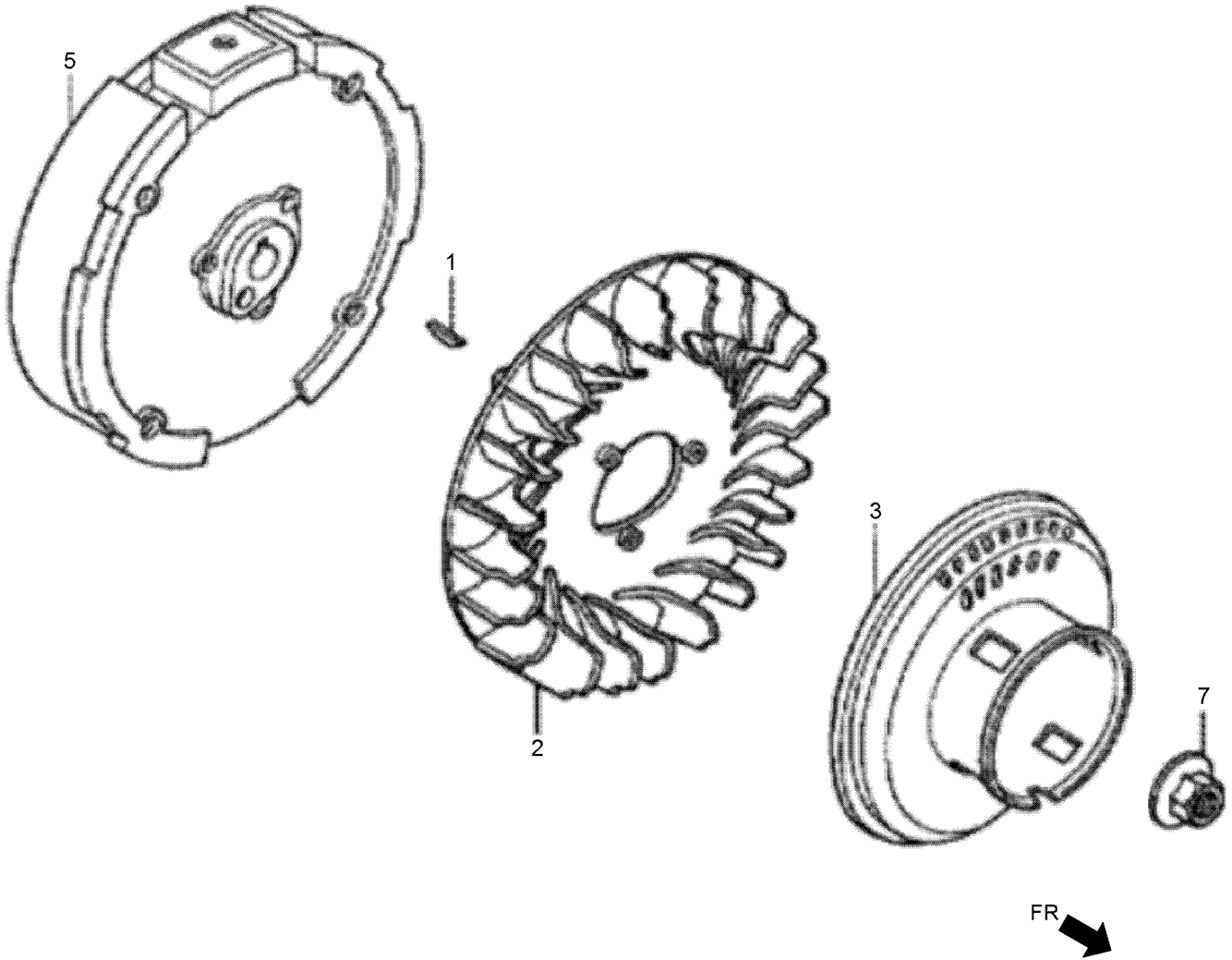
Fuel Tank Assembly



Fuel Tank Assembly (continued)

<i>Ref.</i>	<i>Part Number</i>	<i>Qty.</i>	<i>Description</i>	<i>Ref.</i>	<i>Part Number</i>	<i>Qty.</i>	<i>Description</i>
1	132-0349	1	Rubber-Supporter	7	132-0583	1	Bolt-Flange-6X34
2	132-0361	1	Joint-Fuel Tank	8	132-0668	1	O-Ring-14Mm
3	132-0397	1	Fuel Tank ASM (Nh31)	9	132-0669	1	Tube-Fuel-4.5X145
4	132-0414	1	Fuel Filler Cap ASM	10	132-4881	2	Nut-Flange-6Mm
5	132-0431	1	Packing-Fuel Filler Cap	11	131-8211	2	Clamp-Tube

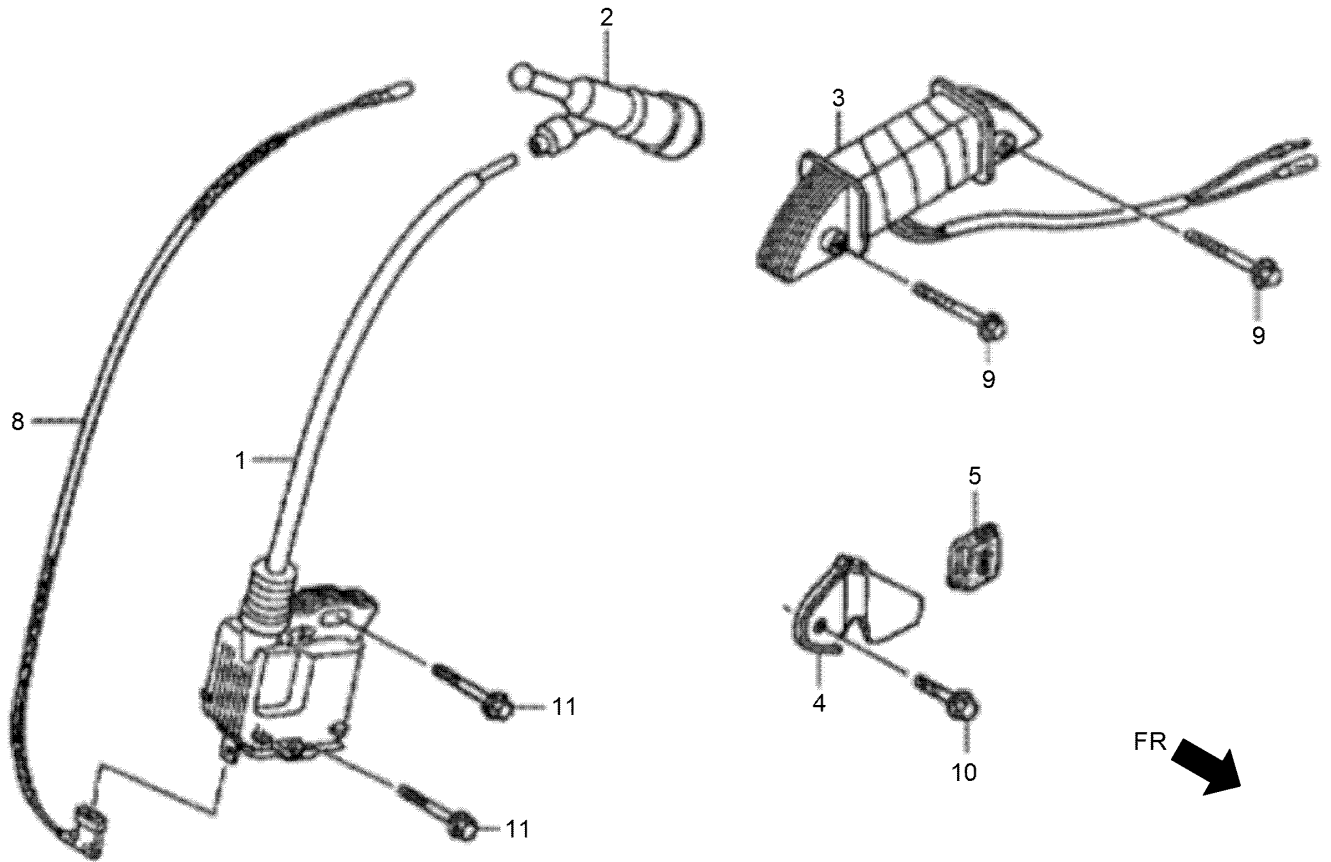
Flywheel Assembly



Flywheel Assembly (continued)

<i>Ref.</i>	<i>Part Number</i>	<i>Qty.</i>	<i>Description</i>	<i>Ref.</i>	<i>Part Number</i>	<i>Qty.</i>	<i>Description</i>
1	132-0167	1	Key-Special Woodruff-25X18	3	132-0499	1	Starter Pulley ASM
2	132-0461	1	Fan-Cooling	5	132-0519	1	Flywheel ASM
				7	132-0625	1	Nut-Special-14Mm

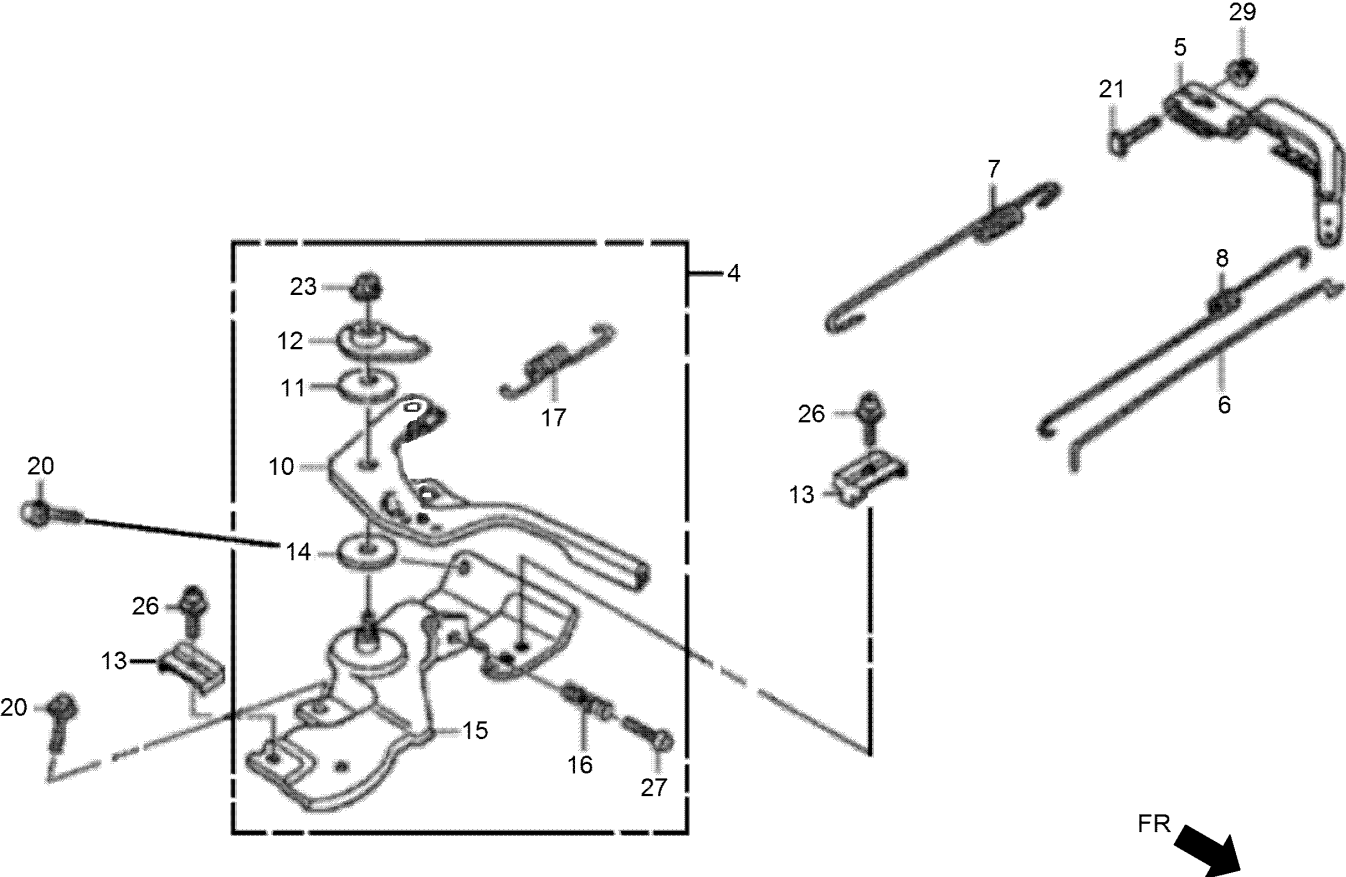
Ignition Coil Assembly



Ignition Coil Assembly (continued)

<i>Ref.</i>	<i>Part Number</i>	<i>Qty.</i>	<i>Description</i>	<i>Ref.</i>	<i>Part Number</i>	<i>Qty.</i>	<i>Description</i>
1	132-0510	1	Coil ASM-Ignition	8	132-0533	1	Cord-Stop Switch
2	132-0515	1	Cap ASM-Noise Suppressor	9	132-0596	2	Bolt-Flange-6X28
3	132-0521	1	Coil ASM-Lamp	10	132-0604	1	Bolt-Flange-5X10
4	132-0522	1	Clamper-Cord	11	132-0620	2	Bolt-Flange-6X25
5	132-0523	1	Grommet-Cord				

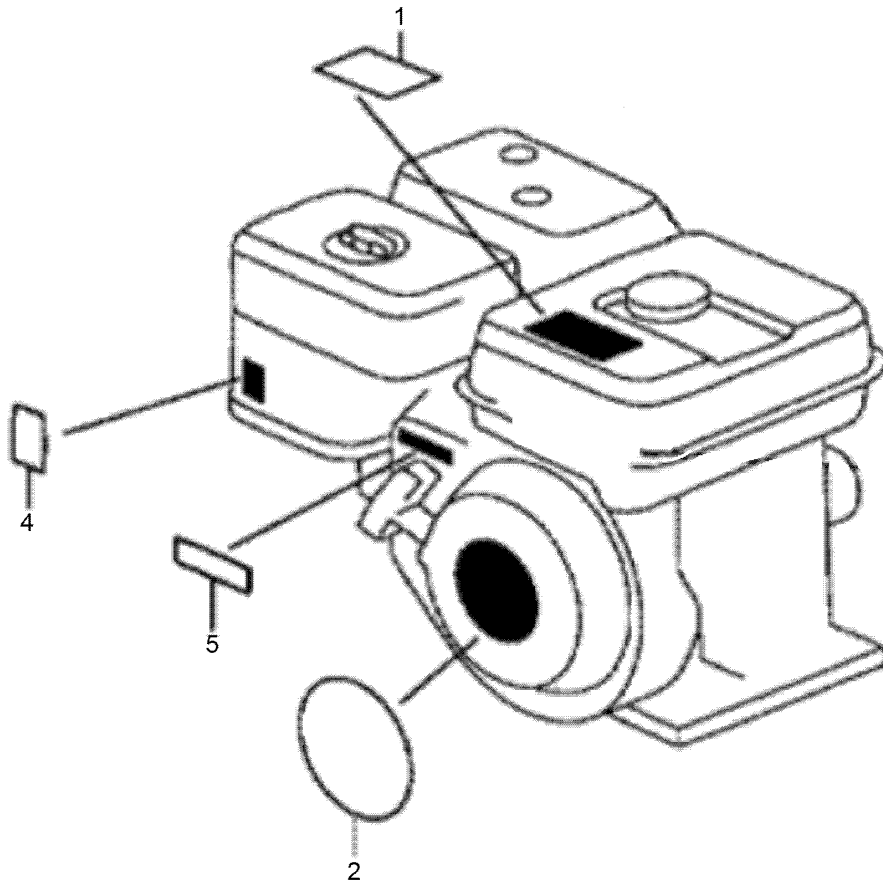
Control Assembly



Control Assembly (continued)

<i>Ref.</i>	<i>Part Number</i>	<i>Qty.</i>	<i>Description</i>	<i>Ref.</i>	<i>Part Number</i>	<i>Qty.</i>	<i>Description</i>
4	132-0292	1	Control ASM	15	132-0337	1	Control Base ASM
5	132-0311	1	Arm-Governor	16	132-0340	1	Spring-Control Adjusting
6	132-0316	1	Rod-Governor	17	132-0341	1	Spring-Cable Return
7	132-0320	1	Spring-Governor	20	132-4880	2	Bolt-Flange-6X12
8	132-0324	1	Spring-Throttle Return	21	132-0597	1	Bolt-Governor Arm
10	132-0328	1	Lever-Control	23	132-0619	1	Nut-Self-Lock-6Mm
11	132-0329	1	Spring-Lever	26	132-0678	1	Screw-Pan-5X16
12	132-0330	1	Washer-Control Lever	27	132-0679	1	Screw-Pan-5X25
13	132-0331	1	Holder-Cable	29	132-4881	1	Nut-Flange-6Mm
14	132-0332	1	Spacer-Control Lever				

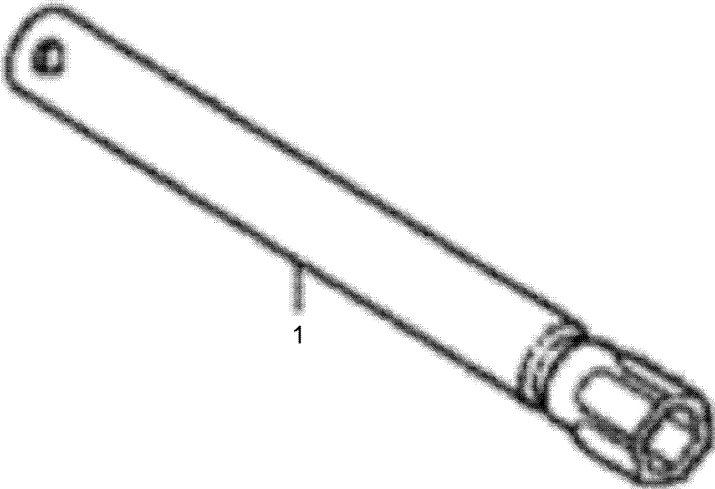
Label Assembly



Label Assembly (continued)

<i>Ref.</i>	<i>Part Number</i>	<i>Qty.</i>	<i>Description</i>	<i>Ref.</i>	<i>Part Number</i>	<i>Qty.</i>	<i>Description</i>
1	132-0559	1	Mark-Operator Caution	4	132-0566	1	Mark-Choke
2	132-0561	1	Emblem	5	132-0567	1	Mark-Throttle Indication

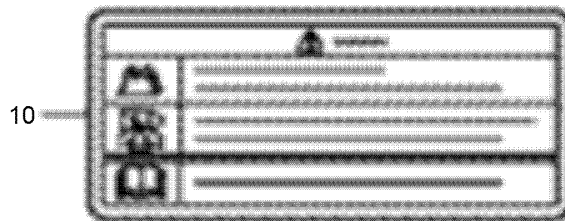
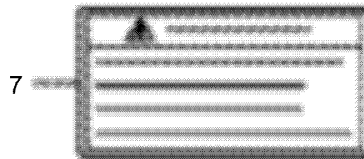
Wrench



Wrench (continued)

<i>Ref.</i>	<i>Part Number</i>	<i>Qty.</i>	<i>Description</i>
1	132-0572	1	Wrench-Spark Plug

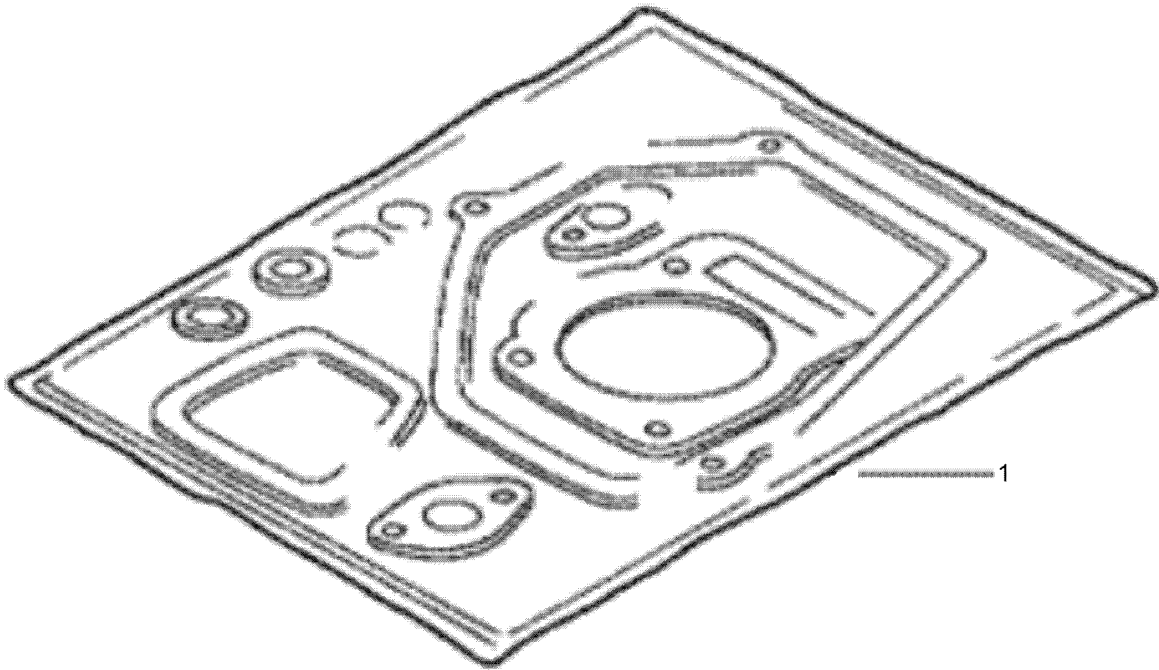
Decal Assembly



Decal Assembly (continued)

<i>Ref.</i>	<i>Part Number</i>	<i>Qty.</i>	<i>Description</i>	<i>Ref.</i>	<i>Part Number</i>	<i>Qty.</i>	<i>Description</i>
5	132-0552	1	Mark-Operator Caution (English)	7	132-0571	1	Mark-Exhaust Caution (French)
5	132-0553	1	Mark-Operator Caution (French)	10	132-0557	1	Mark-Operator Caution (Chinese)
7	132-0570	1	Mark-Exhaust Caution (English)				

Gasket Kit



Gasket Kit (continued)

<i>Ref.</i>	<i>Part Number</i>	<i>Qty.</i>	<i>Description</i>
1	132-0100	1	Gasket Kit

Attachments and Accessories

For 44913 GreensPro 1260 Greens Roller

Product Name	Model/Part
Filter-Oil, Hyd.....	1-633750
Premium Engine Oil 10w30 (5 Gallon Pail)	121-6393
PX Hydraulic Fluid (5 Gal)	133-8086
PX Hydraulic Fluid (55 Gal).....	133-8087
Roller Scraper Kit.....	44911
Wireless Hour Meter Kit	44927

Notes:



Count on it.