



Count on it.

Parts Catalog

GreensPro® 1260

Greens Roller

Model No. 44913—Serial No. 401390001 and Up



Ordering Replacement Parts

To order replacement parts, please supply the part number, the quantity, and the description of each part desired.

Understanding Reference Numbers

Each identified part in an illustration has a reference number. The reference number for a part also appears in the parts list, along with other information about the part.

This catalog uses two special reference number formats, one to indicate parts in a service assembly and another to indicate the quantity of a given part in an illustration.

Service Assembly Reference Numbers

Parts in service assemblies have reference numbers in the form a:b. The a represents the reference number of the entire service assembly and the b represents a sequential number unique to each part within the service assembly.

For example, a wheel assembly might be identified by reference number 6, the tire by 6:1, the valve by 6:2, and the wheel by 6:3. When you order the assembly identified by reference number 6, you receive all parts identified by reference numbers 6:1, 6:2, and 6:3. However, you may also order any part individually. Reference numbers of this type appear in illustration and in parts lists.

Reference Numbers Indicating Quantity

In an illustration, if a reference number indicates more than one part, the reference number has the form nX y. The n represents the quantity of the part, the X is the multiplication symbol, and the y represents the reference number.

For example, in an illustration, the reference number 2X 37 means that two of the parts identified by reference number 37 are indicated.

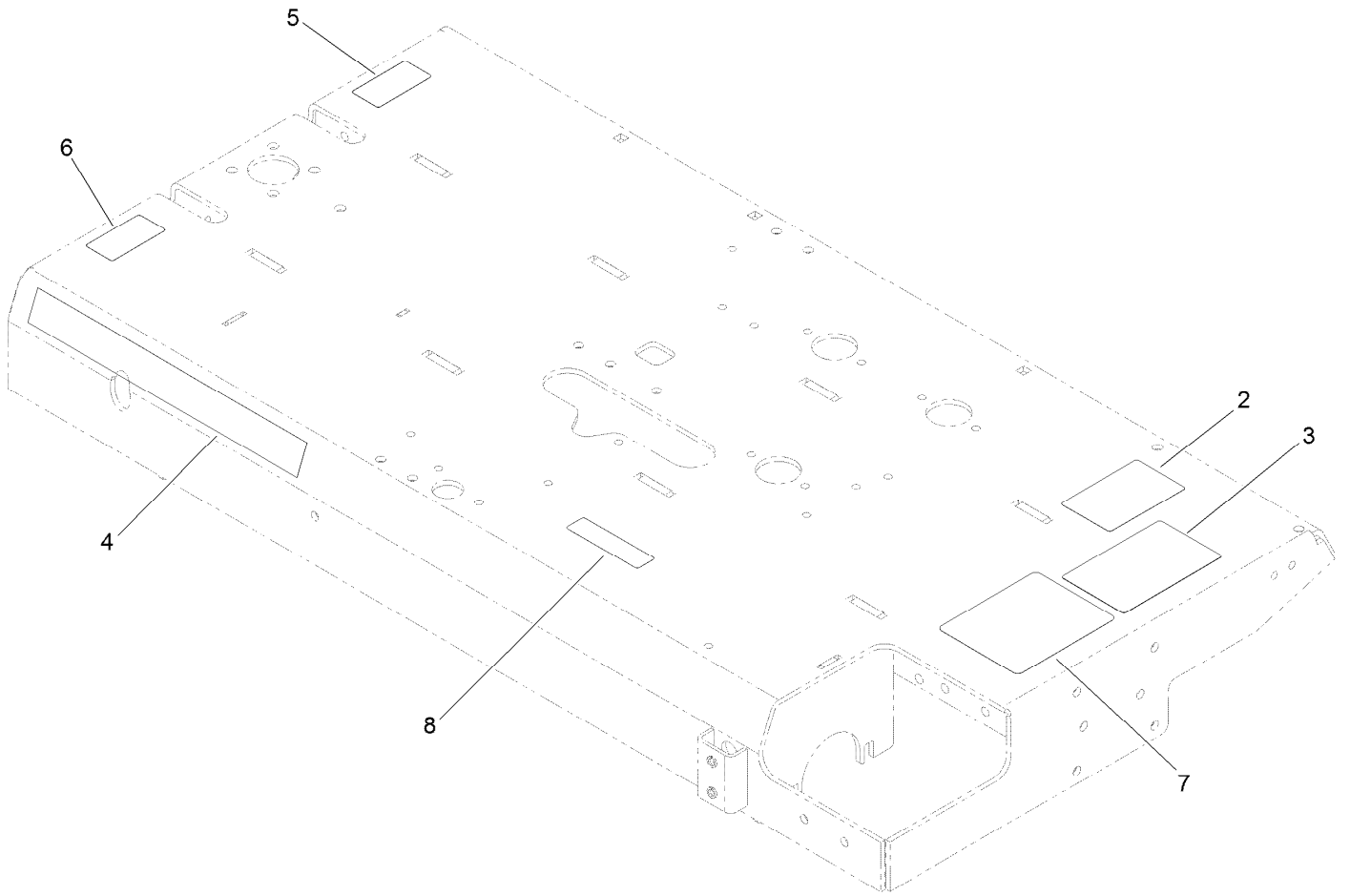
Contents

Steering Assembly	4
Roller Chassis Assembly No. 133-1720	6
Complete Long Steering Roller Assembly No. 127-7958	8
Complete Short Steering Roller Assembly No. 127-7963	9
Oil Tank and Hose Assembly	10
Roller Drive Assembly	12
Hydraulic Motor Assembly No. 131-6431	14
Engine Assembly	16
Tire Assembly	18
Lifting Mechanism Assembly	20
Seat Assembly	22
Steering Wheel Assembly	24
Parking Brake Assembly	26
Control Assembly	28
Hydraulic Pump Assembly No. 132-4797	30
Cylinder Head Assembly	32
Cylinder Barrel Assembly	34
Crankcase Cover Assembly	36
Crankshaft Assembly	38
Piston and Connecting Rod Assembly	40
Camshaft Assembly	42
Recoil Starter Assembly	44
Fan Cover Assembly	46
Carburetor Assembly	48
Air Cleaner Assembly	50
Muffler Assembly	52
Fuel Tank Assembly	54
Flywheel Assembly	56
Ignition Coil Assembly	58
Control Assembly	60
Label Assembly	62
Wrench	64
Decal Assembly	66
Gasket Kit	68
Attachments and Accessories	70

Steering Assembly (continued)

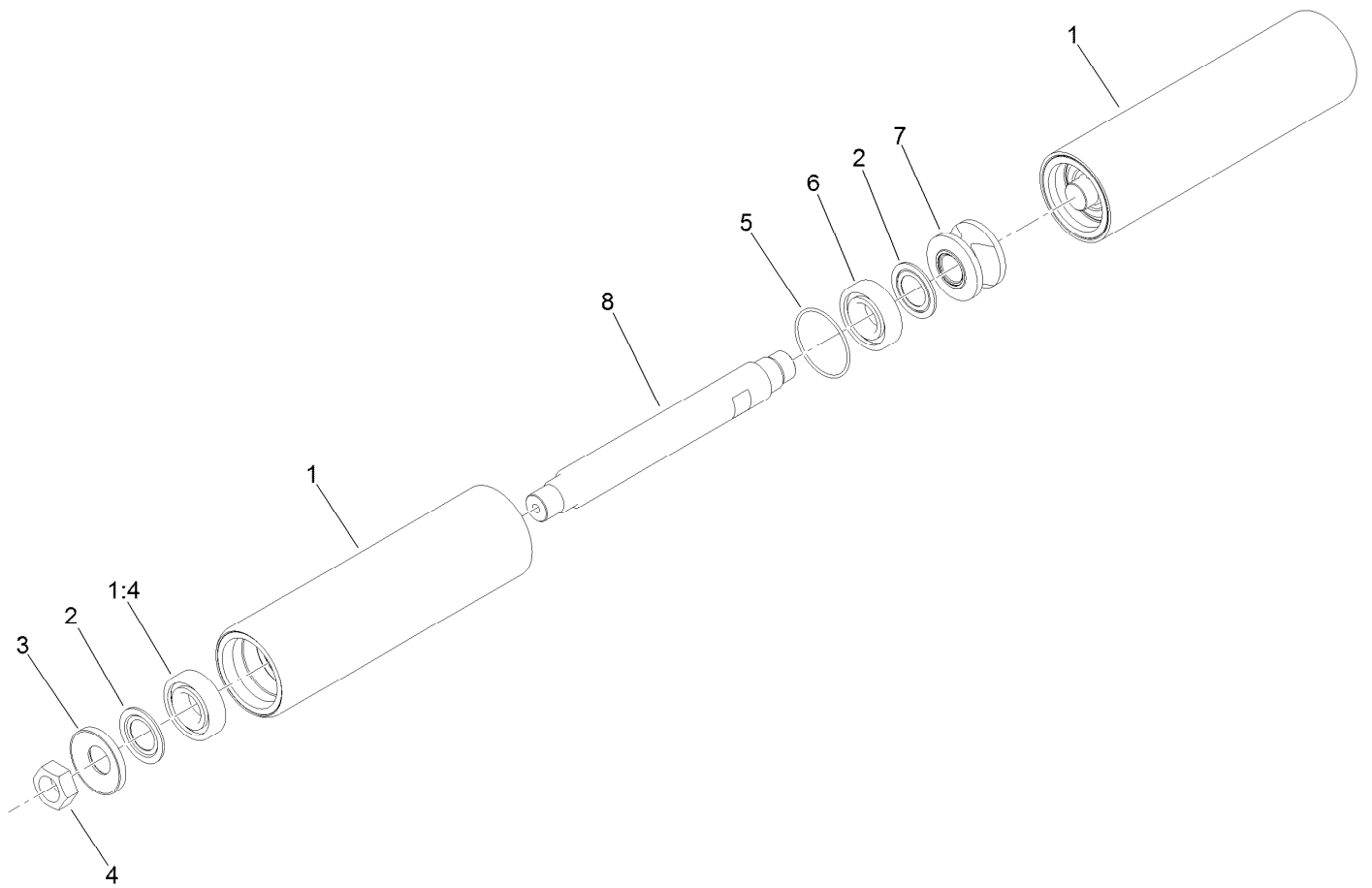
<i>Ref.</i>	<i>Part Number</i>	<i>Qty.</i>	<i>Description</i>	<i>Ref.</i>	<i>Part Number</i>	<i>Qty.</i>	<i>Description</i>
1	133-1720	1	Chassis-Roller	27	3220-6	2	Nut-Jam
2	132-4756-01	1	Head-Steering, Rear	28	3296-39	1	Nut-Lock, NI
3	132-4764-01	2	Support-Roller	29	09044	2	Screw-Set
4	132-7082-01	1	Head-Steering, Front	30	09201	2	Nut
5	1-806003	1	Pin-Cotter	31	09213	2	Nut
6	13-3090	1	Spring-Finger	32	09271	8	Washer-Plain
7	57-6360	1	Screw-Clutch	34	09394	6	Bolt
8	94-1392	8	Pad-Rubber	35	09395	8	Screw-HH
9	108-7983	1	Bushing-Cable	36	09441	5	Nut-Hex, NI
10	136-6163	2	Spring	37	09447	4	Nut
11	132-9263	2	Ball Joint	38	09472	4	Washer-Plain
12	111-5855	2	Nut-Hex, LH	39	09475	10	Washer
13	132-9264	2	Joint-Ball	40	09480	8	Washer-Lock
14	33104-060	1	Screw-HHF	41	9593	1	Brake Band ASM
15	121-3605	2	Ball Joint	42	33104-040	2	Screw-HHF
16	127-7958	2	Complete Long Steering Roller ASM	43	32151-104	2	Ring-Retaining, External
17	127-7963	2	Complete Short Steering Roller ASM	44	33125-030	3	Screw-CARR
18	131-1584	1	Rod-Brake	45	HY03355	1	Washer-Plated
19	132-4841	1	Brake Pivot ASM	46	ZNH1H000U	4	Nut-Hex
19:1	132-4831	1	Brake-Pivot	47	ZNN1J000U	8	Nut-Hex, NI
19:2	256-311	2	Bushing-Split	48	ZWQ1J000U	29	Washer-Plain
20	131-6350	1	Bushing-Pivot	50	09746	8	Nut-Lock
21	131-6353	1	Shim	51	09806	8	Setscrew
22	131-6367	1	Spacer	52	09216	4	Nut-Hex, NI
23	132-7085	1	Rod-Pivot, Steering	53	ZWP1E000U	16	Washer
24	132-7087	1	Rod-Pivot, Steering	54	117-4059	2	Nut-Hex
25	132-7096-03	1	Guard-Motor	55	09392	2	Screw-HH
26	03162	1	Screw-HH	56	33104-045	1	Screw-HHF
				57	09369	2	Screw-HH

Roller Chassis Assembly No. 133-1720



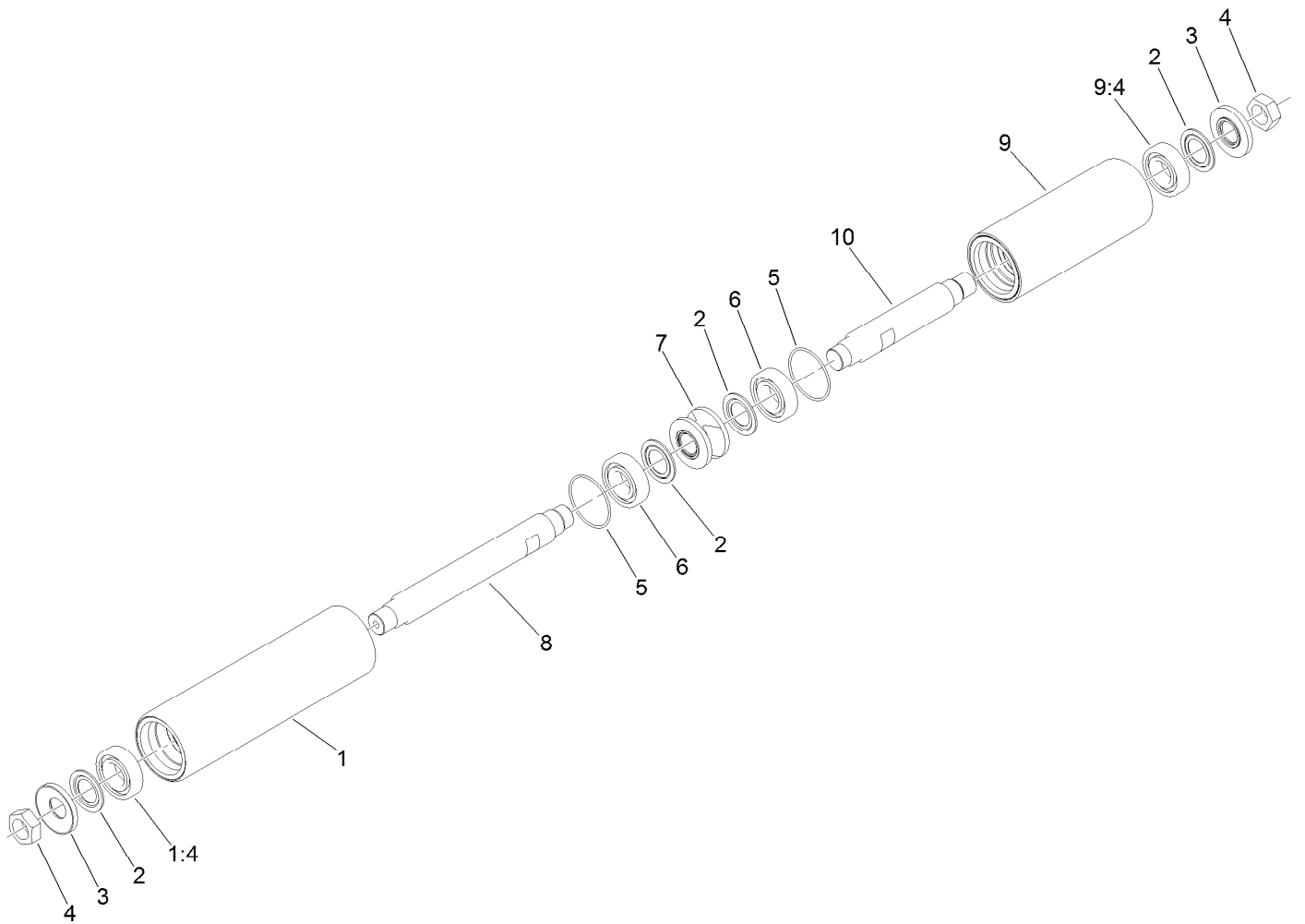
Roller Chassis Assembly No. 133-1720 (continued)

<i>Ref.</i>	<i>Part Number</i>	<i>Qty.</i>	<i>Description</i>	<i>Ref.</i>	<i>Part Number</i>	<i>Qty.</i>	<i>Description</i>
2	133-1701	1	Decal-Warning	6	111-5649	1	Decal-Control, Pedal (LH)
3	127-5884	1	Decal-Operation	7	132-9299	1	Decal-Service
4	132-9298	2	Decal	8	111-5646	1	Decal-Warning
5	111-5650	1	Decal-Control, Pedal (RH)				



Complete Long Steering Roller Assembly No. 127-7958

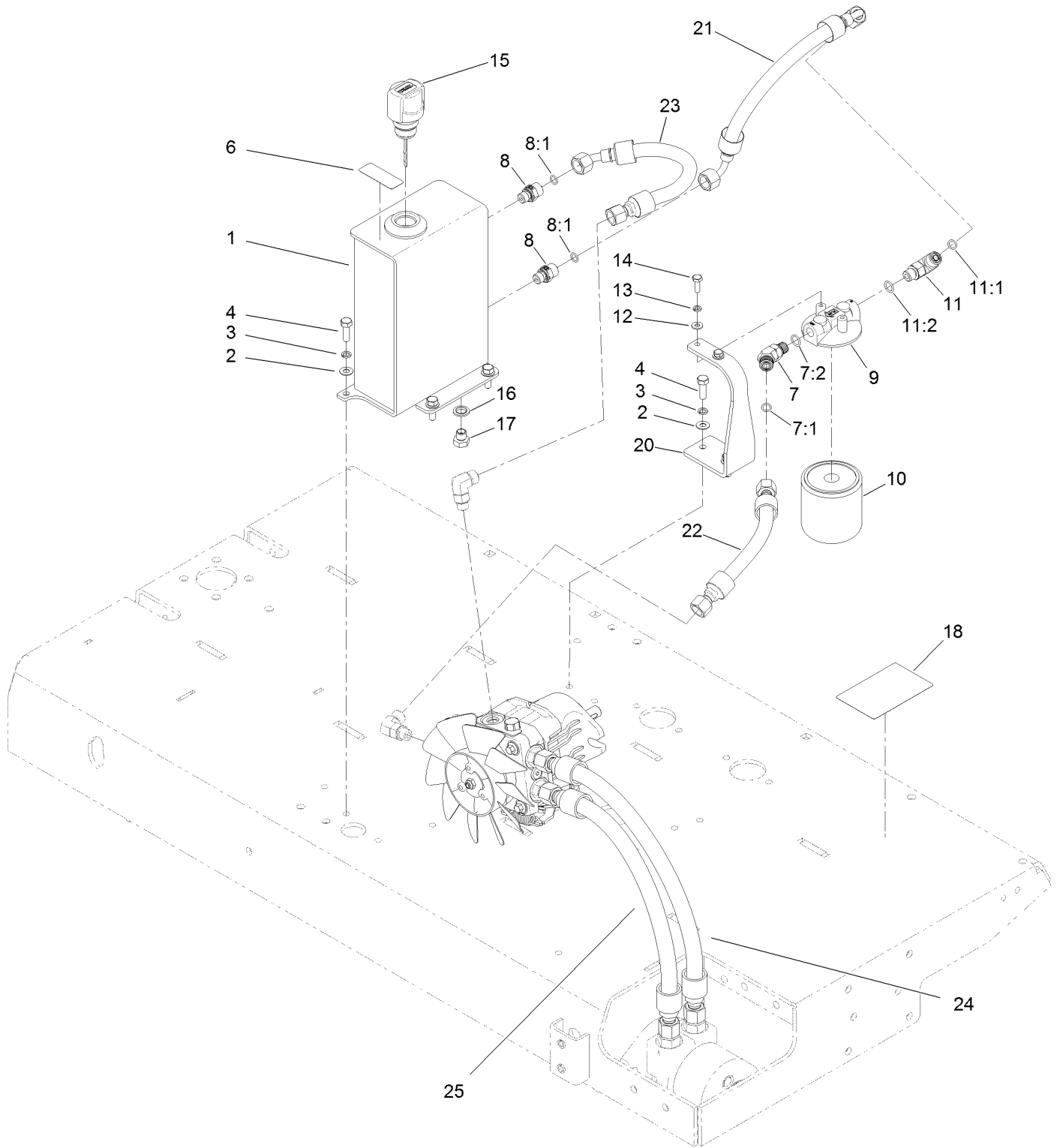
<i>Ref.</i>	<i>Part Number</i>	<i>Qty.</i>	<i>Description</i>
1	127-7966	2	Long Steering Roller ASM
1:4	115-3296	1	Bearing-Sealed
2	115-3299	4	Seal-Flocked
3	127-7959	2	Spacer-Bearing
4	3296-49	2	Nut-Lock, NI
5	117-8177	2	O-Ring
6	115-3296	2	Bearing-Sealed
7	127-7960	1	Sleeve-Roller
8	127-8029	2	Shaft-Roller



Complete Short Steering Roller Assembly No. 127-7963

<i>Ref.</i>	<i>Part Number</i>	<i>Qty.</i>	<i>Description</i>
1	127-7966	1	Long Steering Roller ASM
1:4	115-3296	1	Bearing-Sealed
2	115-3299	4	Seal-Flocked
3	127-7959	2	Spacer-Bearing
4	3296-49	2	Nut-Lock, NI
5	117-8177	2	O-Ring
6	115-3296	2	Bearing-Sealed
7	127-7960	1	Sleeve-Roller
8	127-8029	1	Shaft-Roller
9	127-7967	1	Short Steering Roller Assy
9:4	115-3296	1	Bearing-Sealed
10	127-8030	1	Shaft-Roller

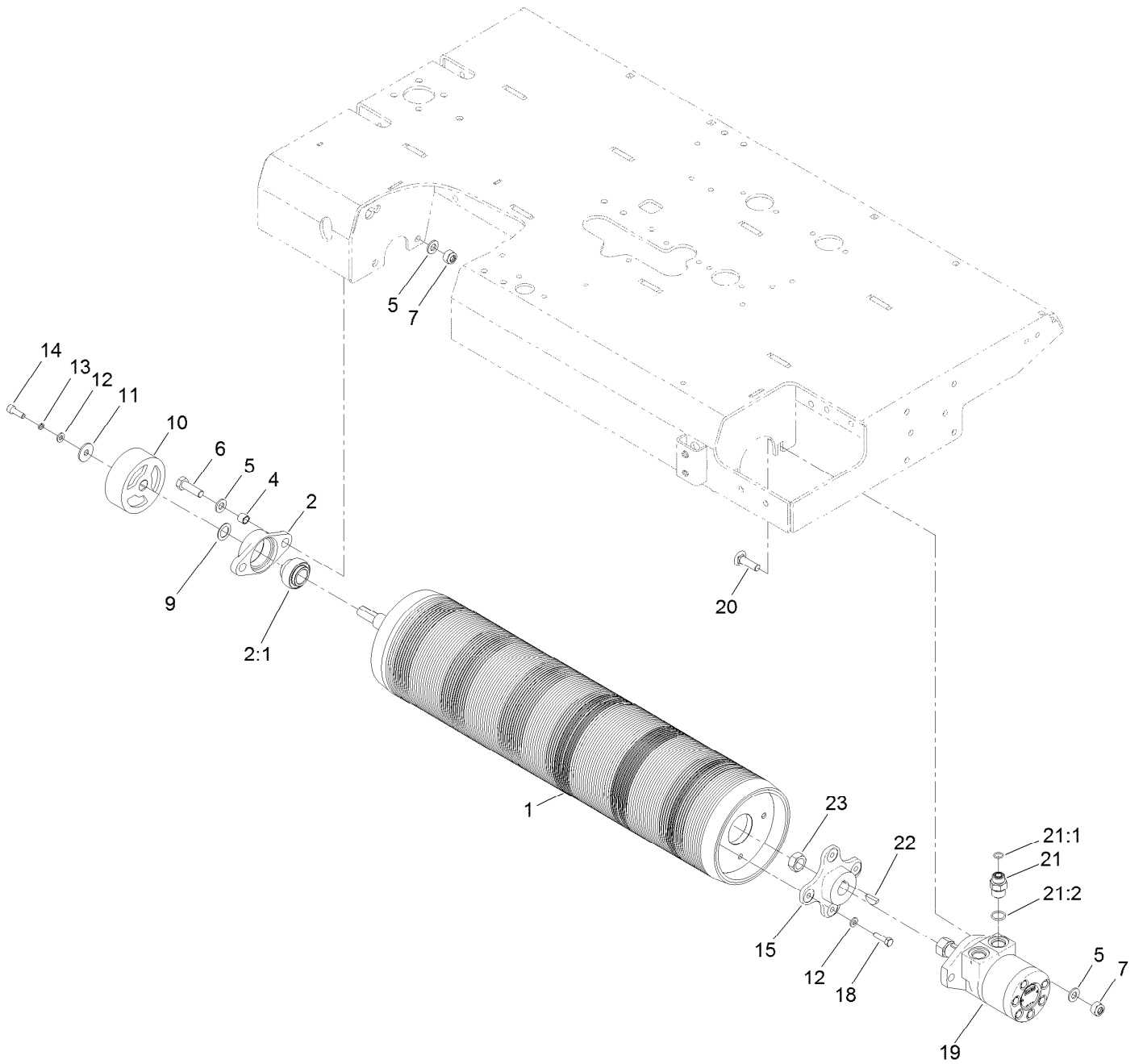
Oil Tank and Hose Assembly



Oil Tank and Hose Assembly (continued)

<i>Ref.</i>	<i>Part Number</i>	<i>Qty.</i>	<i>Description</i>	<i>Ref.</i>	<i>Part Number</i>	<i>Qty.</i>	<i>Description</i>
1	132-9269-01	1	Oil Tank	11:2	237-42	1	O-Ring
2	09475	5	Washer	12	09261	2	Washer-Plain
3	03469	5	Washer-Spring	13	09264	2	Washer-Spring
4	03162	5	Screw-HH	14	09821	2	Screw-HH
6	93-6686	1	Decal-Oil, HYD	15	132-9292	1	Breather
7	340-87	1	Fitting-Elbow, 45 DEG	16	10-06-030	1	Seal-Dowty
7:1	237-22	1	O-Ring	17	30-06-200	1	Plug-HYD
7:2	237-42	1	O-Ring	18	133-1701	1	Decal-Warning
8	127-3874	2	Fitting-Straight	20	132-9201-01	1	Bracket-Filter
8:1	237-22	1	O-Ring	21	132-9204	1	Hose ASM
9	104-7836	1	Head-Filter	22	132-9205	1	Hose ASM
10	1-633750	1	Filter-Oil, HYD	23	132-9206	1	Hose ASM
11	340-77	1	Fitting-Elbow, 90 DEG	24	132-9202	1	Hose ASM
11:1	237-22	1	O-Ring	25	132-9203	1	Hose ASM

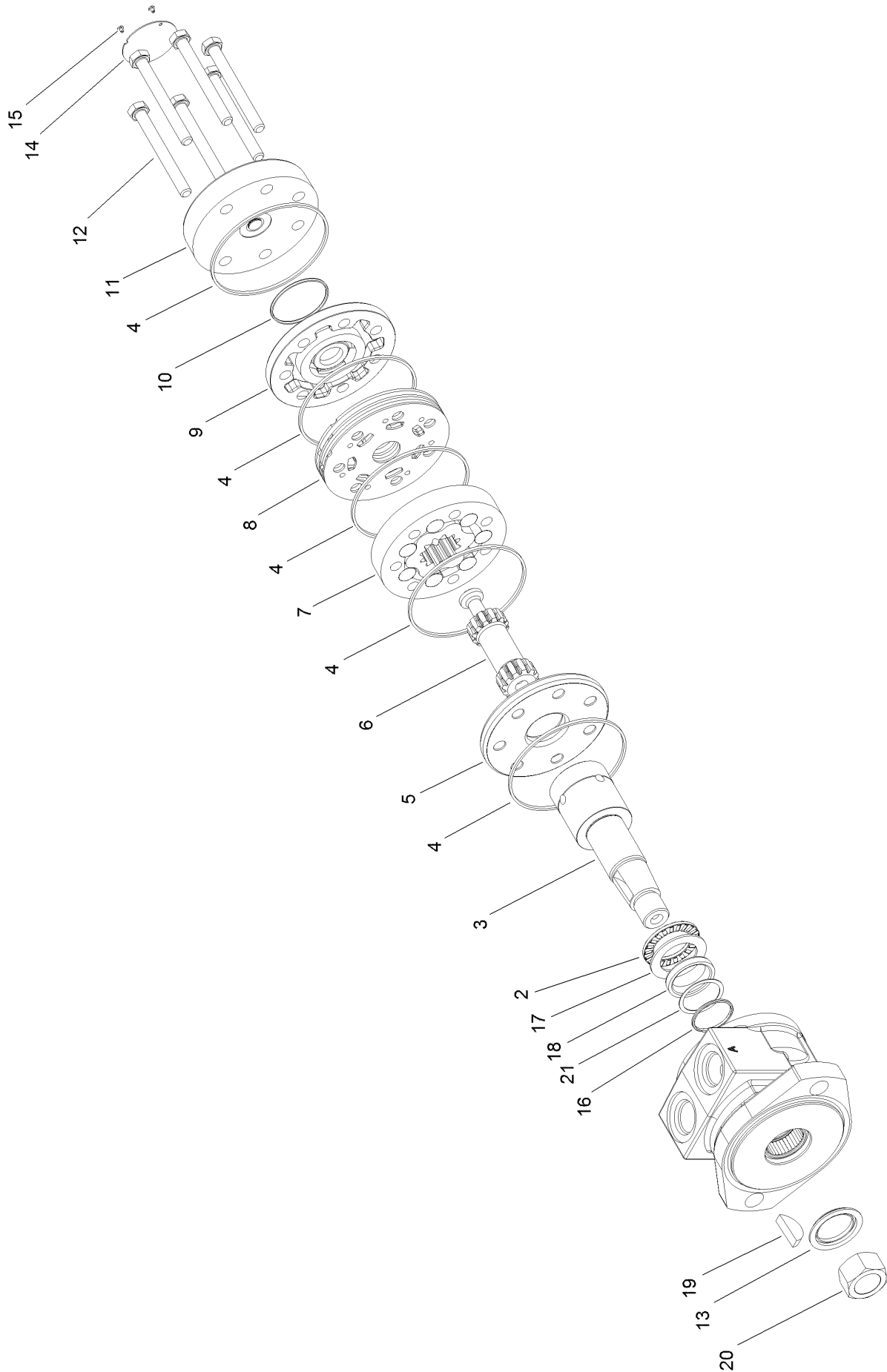
Roller Drive Assembly



Roller Drive Assembly (continued)

<i>Ref.</i>	<i>Part Number</i>	<i>Qty.</i>	<i>Description</i>	<i>Ref.</i>	<i>Part Number</i>	<i>Qty.</i>	<i>Description</i>
1	132-5380	1	Drive-Drum, Roller	13	03469	1	Washer-Spring
2	111-5744	1	Bearing ASM	14	ZCS1H025U	1	Screw-HSH
2:1	111-5758	1	Bearing	15	133-8863	1	Hub-Drive Roller
4	131-6367	2	Spacer	18	09369	4	Screw-HH
5	HY09485	6	Washer-Plain	19	131-6431	1	HYD Traction Motor ASM
6	63-11-010	2	Bolt-HH	20	33126-040	2	Screw-CARR
7	09650	4	Nut-Hex, Nyloc	21	340-6	2	Fitting-Straight
9	132-9200	1	Spacer	21:1	237-30	1	O-Ring
10	106719	1	Drum-Brake	21:2	237-80	1	O-Ring
11	93-8806	1	Washer-Hardened	22	3257-8	1	Key-Woodruff
12	ZWP1H000U	5	Washer-Plain	23	85-7310	1	Nut-Motor, Wheel

Hydraulic Motor Assembly No. 131-6431



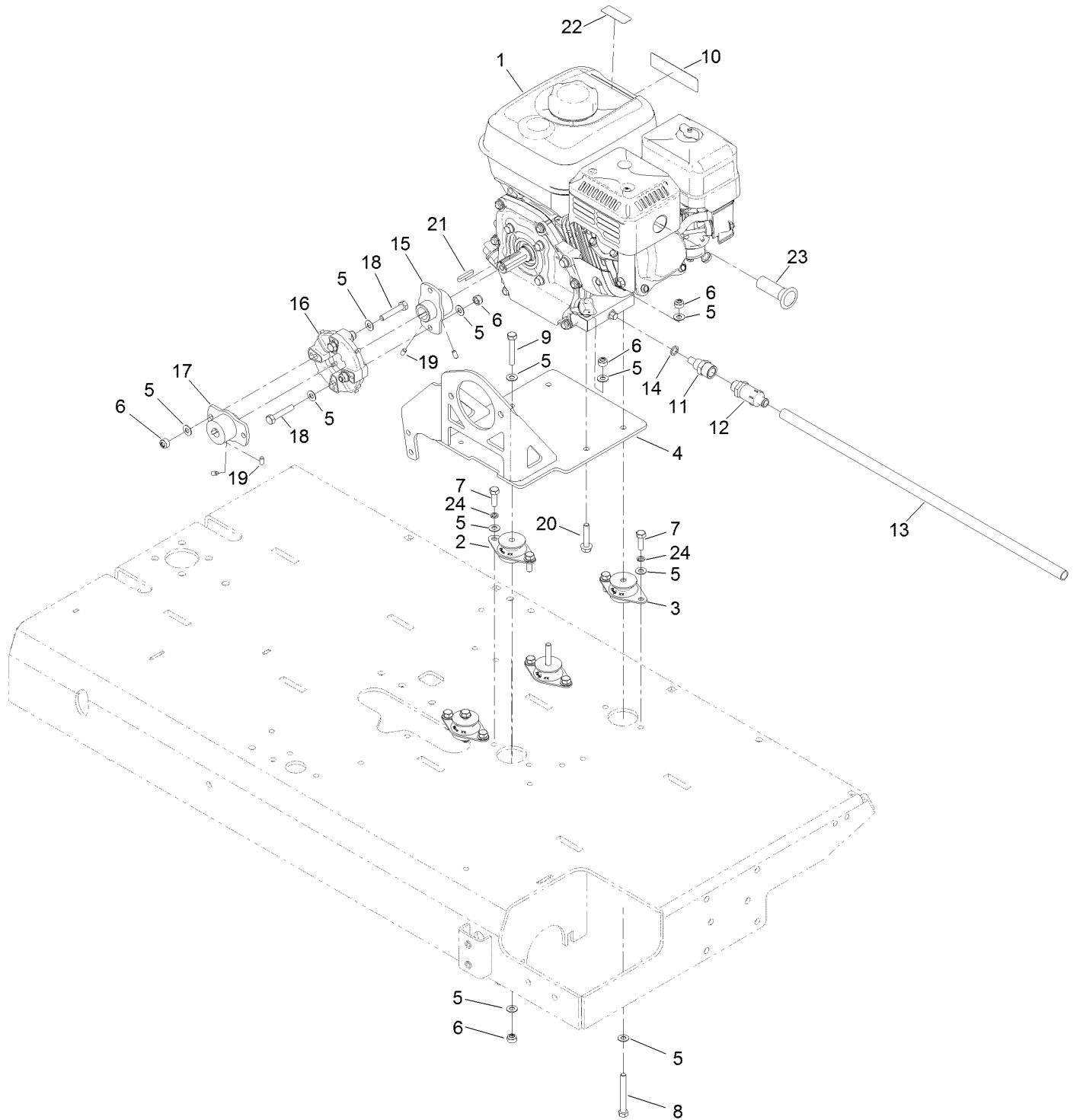
Hydraulic Motor Assembly No. 131-6431 (continued)

<i>Ref.</i>	<i>Part Number</i>	<i>Qty.</i>	<i>Description</i>	<i>Ref.</i>	<i>Part Number</i>	<i>Qty.</i>	<i>Description</i>
2	133-1761	1	Bearing-Thrust	13	133-1773	1	Seal, Dirt And Water
3	133-1762	1	Shaft-Coupling	14		1	Identification Tag ■
4	133-1763	5	Ring-Seal	15	133-1774	2	Screw-Drive
5	133-1764	1	Plate-Wear	16	133-1775	1	Ring-Back Up
6	133-1765	1	Link-Drive	17	133-1776	1	Washer-Thrust
7	133-1766	1	Set-Rotor	18	133-1777	1	Shaft-Seal
8	133-1767	1	Manifold	19	3257-8	1	Key-Woodruff
9	133-1768	1	Commutator	20	85-7310	1	Nut-Motor, Wheel
10	133-1769	1	Seal-Commutator	21	133-1778	1	Washer-Back Up
11	133-1771	1	Cover-End	99	133-1779	1	Seal Kit ●
12	133-1772	6	Special Bolt				

● Not illustrated

■ Not serviced separately

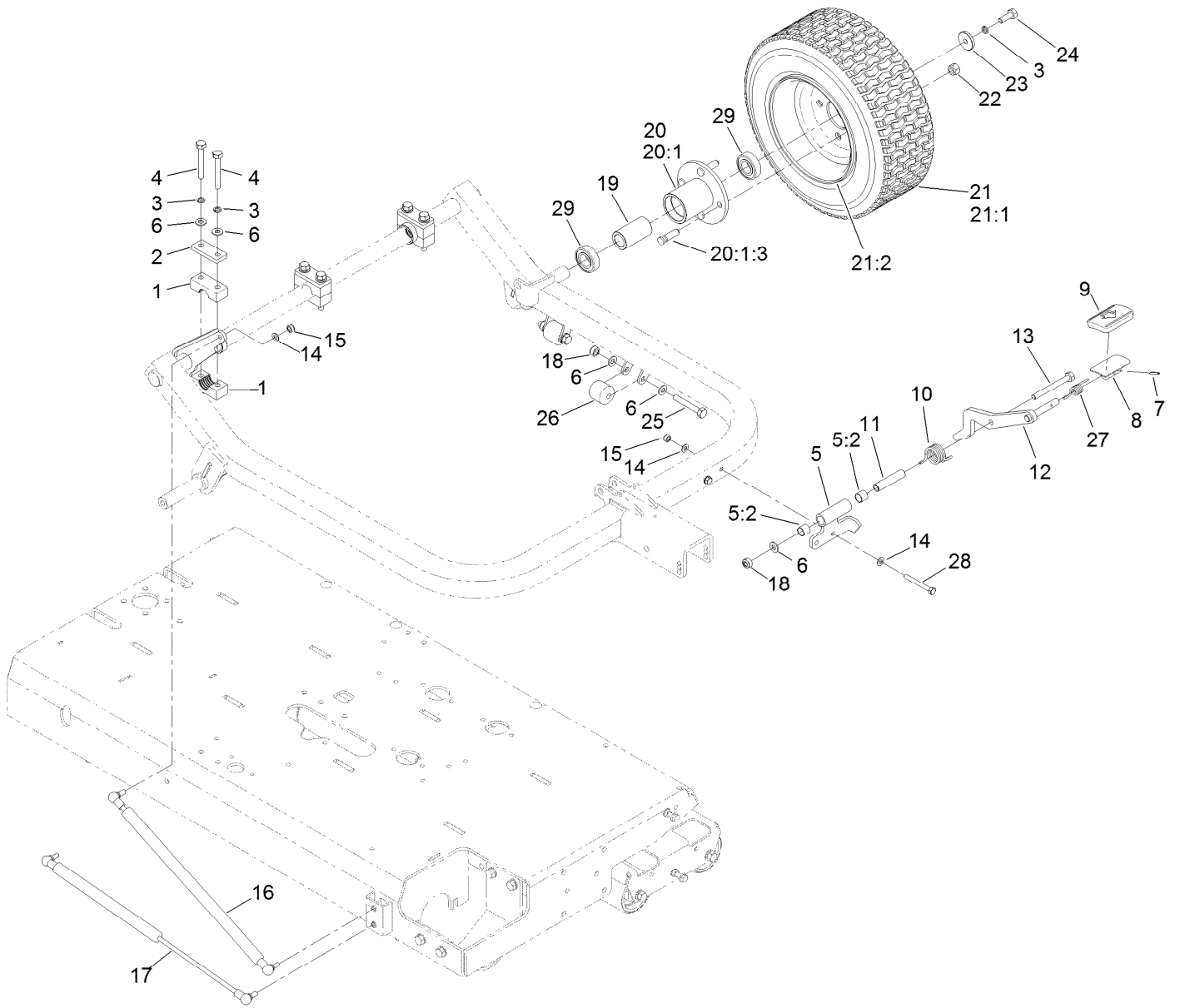
Engine Assembly



Engine Assembly (continued)

<i>Ref.</i>	<i>Part Number</i>	<i>Qty.</i>	<i>Description</i>	<i>Ref.</i>	<i>Part Number</i>	<i>Qty.</i>	<i>Description</i>
1	111-7153	1	Engine-Honda	13	103-1964	1	Hose-Drain, Oil
2	132-4799	2	Mount-Engine	14	111-7401	1	Washer-Plug, Sump
3	132-4803	2	Mount-Engine	15	132-4812	1	Engine Collar ASM
4	132-9217-01	1	Engine Plate	16	119-0652	1	Coupler-Rubber
5	09475	26	Washer	17	132-4814	1	Pump Collar ASM
6	09441	10	Nut-Hex, NI	18	09654	4	Bolt
7	03162	8	Screw-HH	19	133-1717	4	Screw-Set
8	ZBH1H070U	2	Bolt	20	33104-040	2	Screw-HHF
9	ZBH1H050U	2	Bolt	21	103-2739	1	Key
10	117-2718	1	Decal-Arrester, Spark	22	130-8322	1	Decal-Warning, Ethanol
11	111-7088	1	Adaptor-Drain, Oil	23	111-6526	1	Arrester-Spark
12	92-6877	1	Valve-Drain, Oil	24	03469	8	Washer-Spring

Tire Assembly

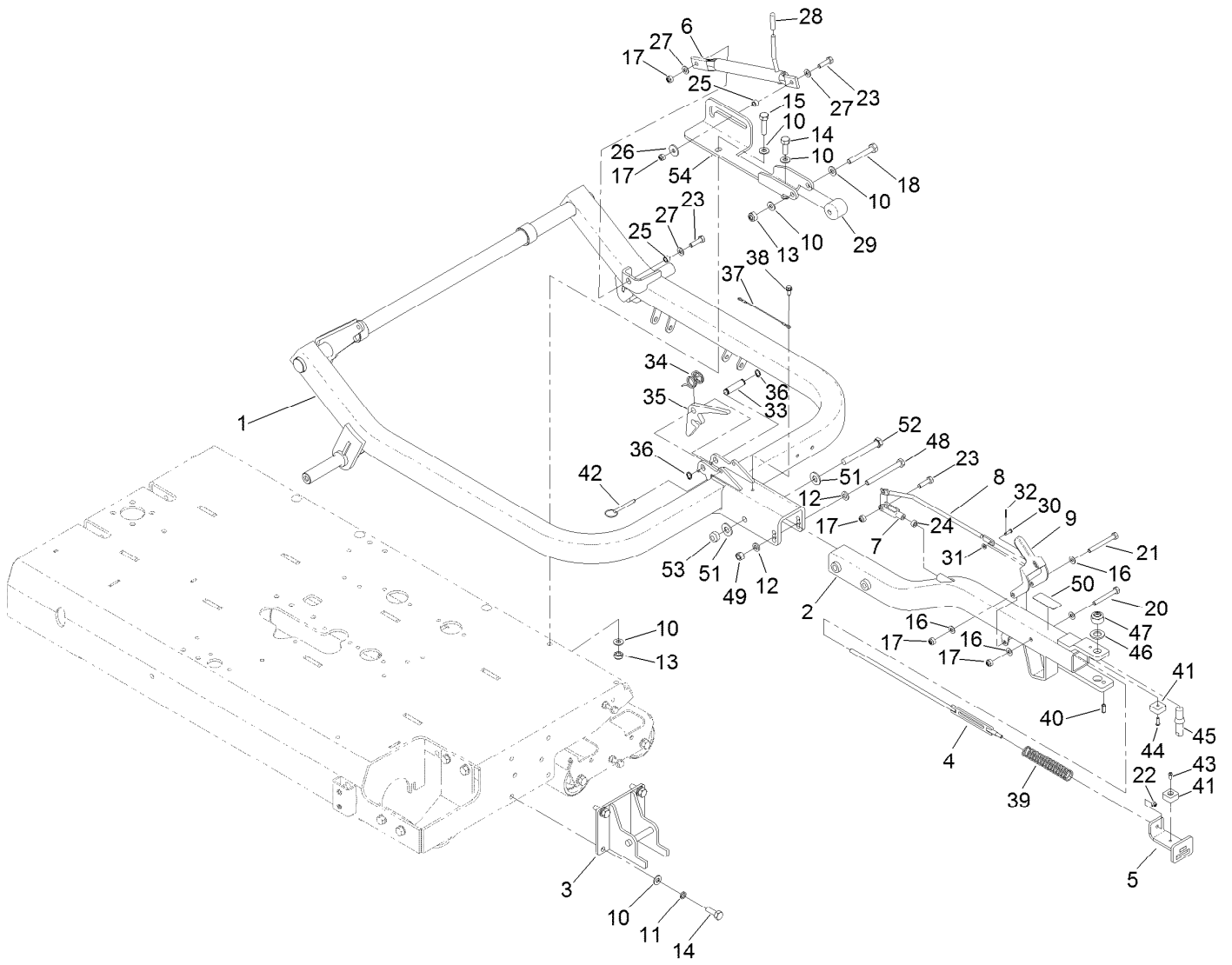


Tire Assembly (continued)

<i>Ref.</i>	<i>Part Number</i>	<i>Qty.</i>	<i>Description</i>	<i>Ref.</i>	<i>Part Number</i>	<i>Qty.</i>	<i>Description</i>
1	127-8044	3	Clamp-Drawbar	17	125-5696	1	Spring-Gas
2	111-5681	3	Plate-Clamp, Axle	18	ZNN1J000U	3	Nut-Hex, NI
3	09480	8	Washer-Lock	19	111-5858	2	Spacer-Bearing
4	ZBH1J075U	6	Bolt-HH	20	111-7103-03	2	Wheel Hub ASM
5	127-1351	1	Pedal Pivot ASM	20:1		1	Wheel Hub ASM ●
5:2	256-311	2	Bushing-Split	20:1:3	94-4143	4	Stud-Wheel
6	ZWQ1J000U	11	Washer-Plain	21	111-5678	2	Wheel And Tire ASM
7	32121-45	1	Pin-Spring	21:1	111-5755	1	Tire
8	117-9507	1	Pedal-Accelerator	21:2	111-5756	1	Rim-Wheel
9	74-9100	1	Pad-Pedal, Forward	22	93-5268	8	Nut-Lug
10	127-1353	1	Spring-Torsion	23	111-5674	2	Collar-Fixing
11	127-1355	1	Spacer	24	09392	2	Screw-HH
12	132-4778-01	1	Pedal Lever ASM	25	09399	2	Bolt
13	ZBH1J095U	1	Bolt-HH	26	127-1342	2	Roller
14	09475	6	Washer	27	127-8034	1	Spring-Torsion
15	09441	4	Nut-Hex, NI	28	ZBH1H070U	2	Bolt
16	127-1326	1	Damper	29	120-4621	4	Bearing

● Not serviced separately

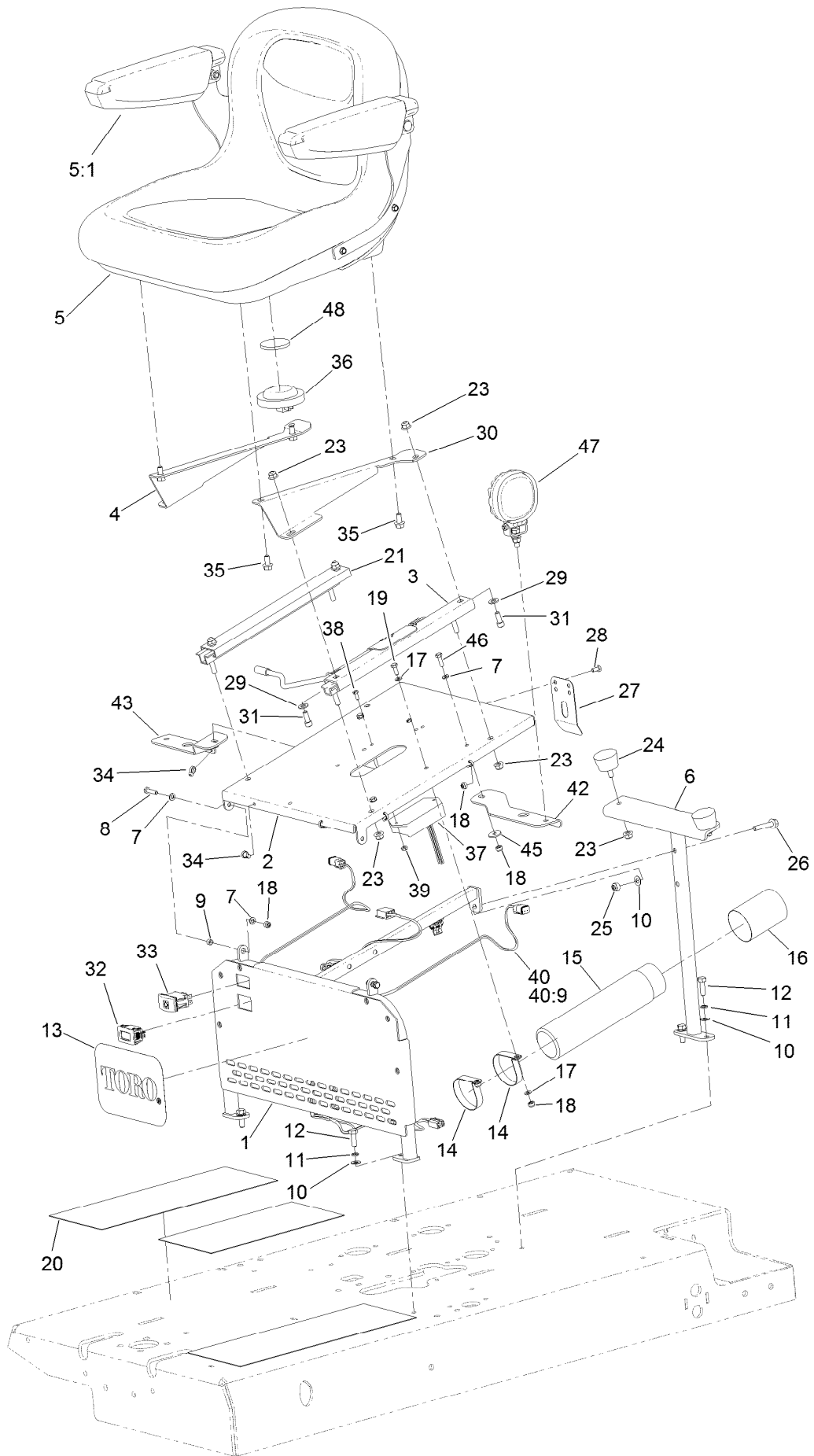
Lifting Mechanism Assembly



Lifting Mechanism Assembly (continued)

<i>Ref.</i>	<i>Part Number</i>	<i>Qty.</i>	<i>Description</i>	<i>Ref.</i>	<i>Part Number</i>	<i>Qty.</i>	<i>Description</i>
1	131-6437-01	1	Hitch Pivot ASM	29	127-1342	1	Roller
2	132-4770-01	1	Hitch	30	283-29	1	Pin-Clevis
3	132-7075-01	1	Bracket-Lock	31	3256-51	1	Washer-Flat
4	125-5743	1	Lever-Slide	32	3272-1	1	Pin-Cotter
5	132-4775-01	1	Bracket-Slide	33	125-5731	1	Pin-Lock, Lever
6	132-4826-01	1	Lever-Lock, Hitch	34	125-5723	1	Spring-Torsion
7	1-303105	1	Yoke-Adjustable	35	125-5711-01	1	Latch-Hitch
8	127-1317	1	Wire-Form	36	32151-61	2	Ring-Retaining
9	132-9262	1	Lever	37	28-8070	1	Lanyard
10	ZWQ1J000U	10	Washer-Plain	38	32144-10	1	Screw-HWH
11	09480	4	Washer-Lock	39	125-5737	1	Spring-Compression
12	107-1413	2	Washer-Hardened	40	32121-123	1	Pin-Roll
13	ZNN1J000U	3	Nut-Hex, NI	41	94-1392	2	Pad-Rubber
14	09392	5	Screw-HH	42	108-0094	1	Pin-Cotterless
15	09611	1	Bolt-HH	43	127-5866	1	Screw-HSBH
16	09475	4	Washer	44	119-7568	1	Screw-HSBH
17	09441	5	Nut-Hex, NI	45	127-5861	1	Pin-Tow
18	09399	1	Bolt	46	09491	1	Washer-Plain
20	ZBH1H065U	1	Bolt	47	09456	1	Nut
21	ZBH1H075U	1	Bolt	48	127-5864	1	Screw-HH
22	09438	1	Nut-Nyloc	49	131-1558	1	Nut-Lock
23	09369	3	Screw-HH	50	127-5885	1	Decal-Disconnect, Hitch
24	09207	1	Nut	51	87-7270	2	Washer-Thrust
25	120-9697	2	Spacer	52	131-1557	1	Screw-HH
26	1-603716	1	Washer-Friction	53	94-4307	1	Nut-Hex, Lock
27	3256-23	3	Washer-Plain	54	133-1756-01	1	Bracket-Slide
28	125-5722	1	Cap-Flex				

Seat Assembly

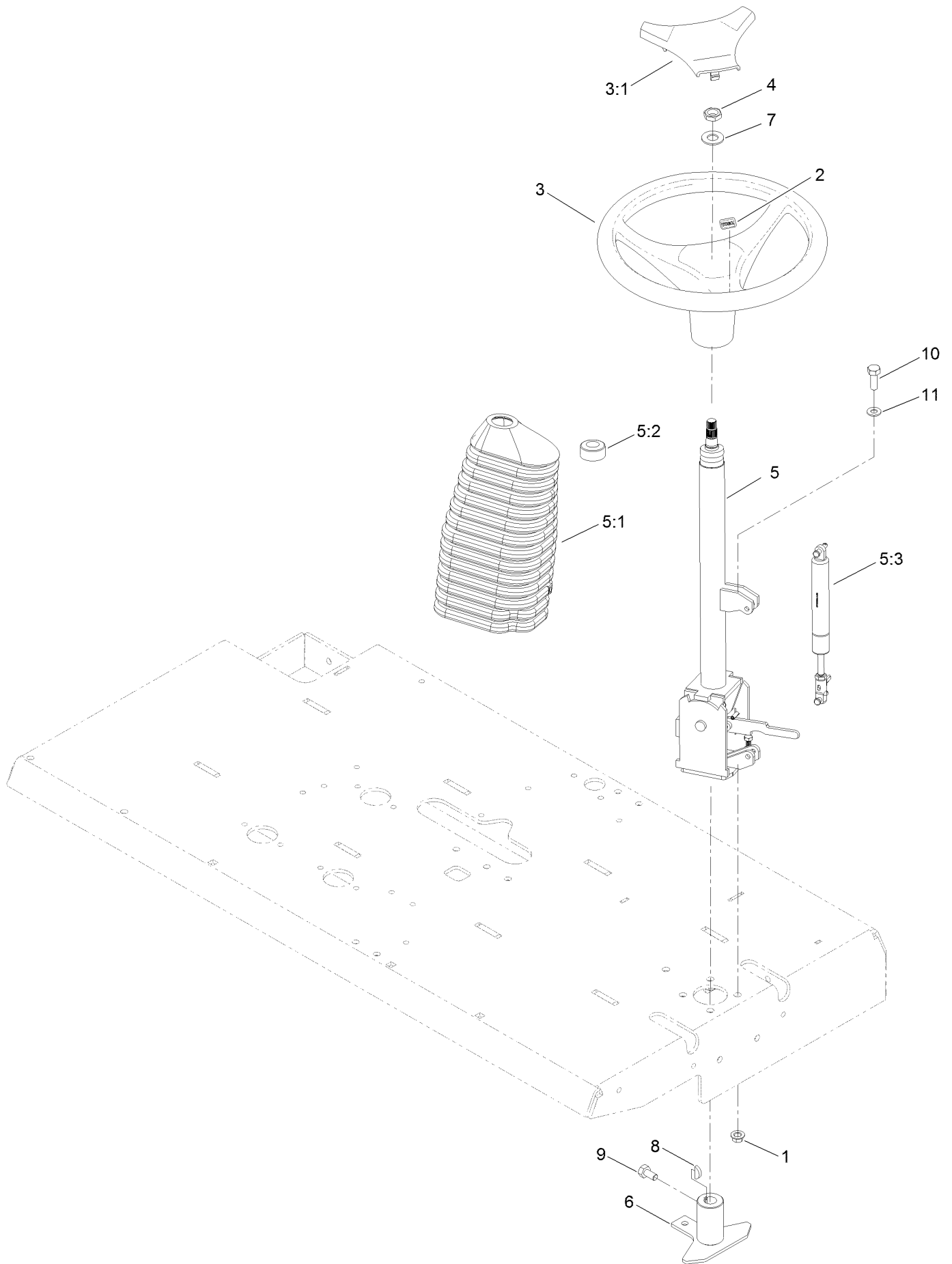


Seat Assembly (continued)

<i>Ref.</i>	<i>Part Number</i>	<i>Qty.</i>	<i>Description</i>	<i>Ref.</i>	<i>Part Number</i>	<i>Qty.</i>	<i>Description</i>
1	131-6449-03	1	Seat Support	25	09441	1	Nut-Hex, NI
2	131-6447-03	1	Seat Pan	26	33104-040	1	Screw-HHF
3	133-8896	1	Seat Adjuster Lever ASM	27	66-2630	1	Latch-Seat
4	131-6448-03	1	Bracket-Seat, RH	28	09361	2	Screw-HH
5	133-1729	1	Seat Assembly	29	3256-23	4	Washer-Plain
5:1	111-6564	1	Arm Rest Kit	30	132-4750-03	1	Bracket-Seat, LH
6	132-4751-01	1	Support-Frame, Rear	31	3274-10	4	Screw-HSH
7	09472	6	Washer-Plain	32	120-2244	1	Hourmeter
8	ZBH1F025U	2	Bolt-HH	33	111-6576	1	Switch
9	88-7860	2	Spacer	34	HY3966	8	Tie-Cable
10	09475	5	Washer	35	33104-016	4	Screw-HHF
11	03469	4	Washer-Spring	36	100-3524	1	Switch-Seat
12	03162	4	Screw-HH	37	122-0423	1	Module-Ground, Magneto
13	67-7320	1	Decal	38	32105-8	2	Screw-SHH
14	107-1865	2	R-Clamp	39	110-3145	2	Nut-Lock
15	104-7050	1	Tube-Manual	40	122-0832	1	Harness-Wire
16	104-7048	1	Cap-Housing	40:9	122-1006	1	Harness-Wire, Jumper
17	ZWP1F000U	4	Washer-Plain	42	132-4806-03	1	Light Mount
18	09438	8	Nut-Nyloc	43	132-4805-03	1	Light Mount
19	09362	2	Screw-HH	45	09263	2	Washer
20	70-07-067	4	Tape-Slip, Anti	46	09363	2	Screw-HH
21	92-8990	1	Adjuster-Slave	47	133-8793	2	Light-LED
23	104-8300	10	Nut-HF, NI	48	133-2797	1	Disc-Plunger
24	68-3270	2	Bumper-Rubber	99	107-0342	1	Sealant-Electrical ●

● Not illustrated

Steering Wheel Assembly



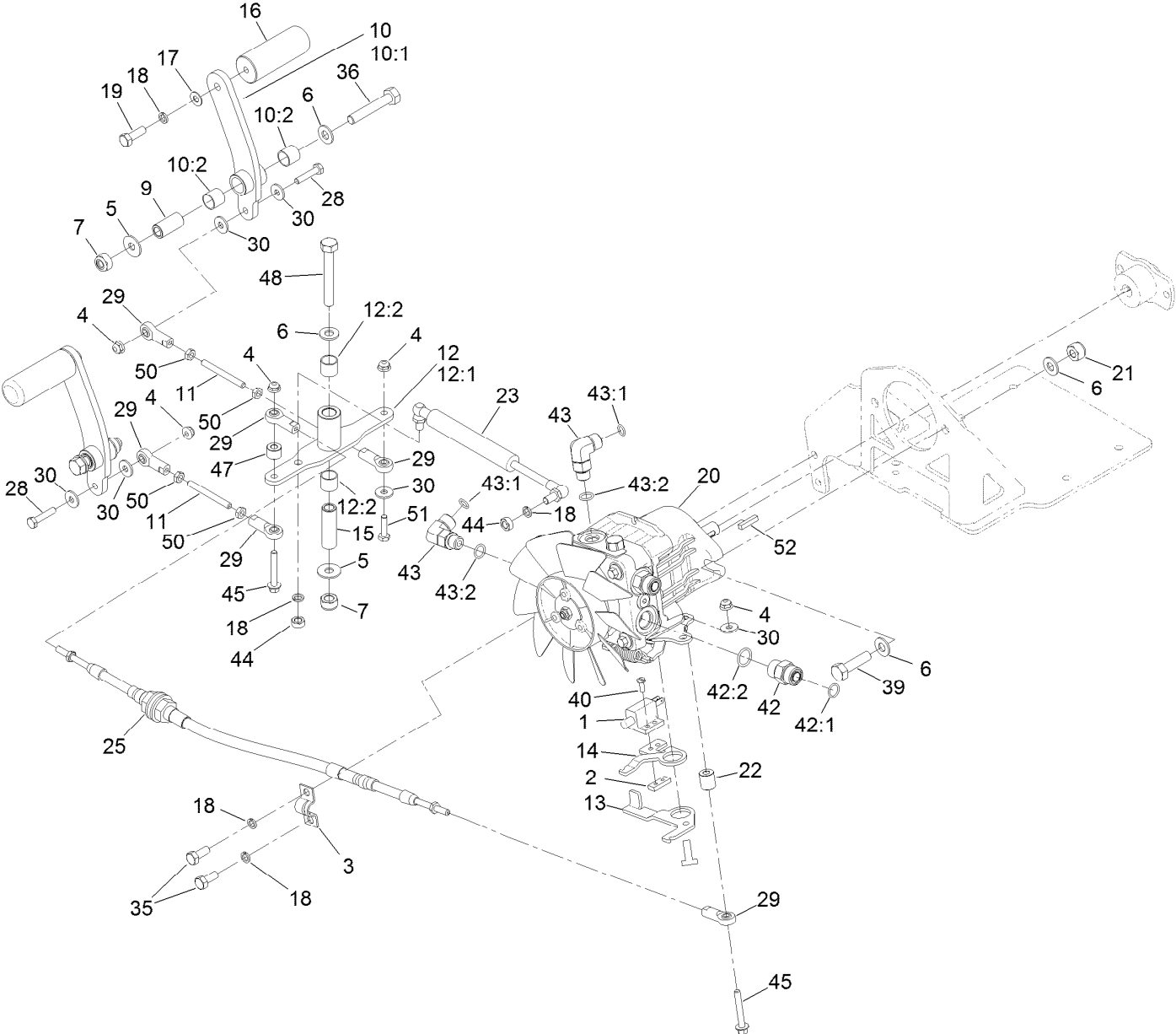
Steering Wheel Assembly (continued)

<i>Ref.</i>	<i>Part Number</i>	<i>Qty.</i>	<i>Description</i>	<i>Ref.</i>	<i>Part Number</i>	<i>Qty.</i>	<i>Description</i>
1	63-11-015	4	Nut-Hex	5:3	120-2594	1	Gas Spring ASM
2	98-1459	1	Decal	6	132-7084-01	1	Steering Pivot
3	98-1471	1	Wheel-Steering	7	3256-27	1	Washer-Flat
3:1	98-1468	1	Cover-Wheel, Steering	8	3257-7	1	Key-Woodruff
4	110-8816	1	Nut-Hex	9	09391	1	Screw-HH
5	127-8041	1	Column-Steering	10	09392	4	Screw-HH
5:1	120-2592	1	Boot-Rubber, Column	11	ZWQ1J000U	4	Washer-Plain
5:2	120-2593	1	Boot-Rubber, Bearing				

Parking Brake Assembly (continued)

<i>Ref.</i>	<i>Part Number</i>	<i>Qty.</i>	<i>Description</i>	<i>Ref.</i>	<i>Part Number</i>	<i>Qty.</i>	<i>Description</i>
1	132-4837-03	1	Support-Lever, Brake	24	131-0440	1	Decal-Brake, Parking
2	132-4801-03	1	Guard-Exhaust	25	133-1719	1	Cover-Transmission
3	09475	14	Washer	26	03469	3	Washer-Spring
4	33104-040	3	Screw-HHF	27	120-0627	2	Decal-Warning
5	09441	7	Nut-Hex, NI	28	09368	2	Screw-HH
6	131-6383	1	Spacer	29	132-9299	1	Decal-Service
7	99-3410	1	Switch	29	133-1703	1	Decal-Service, Czech
8	132-4839	1	Brake Handle ASM	29	133-1704	1	Decal-Service, Danish
8:1	132-4838	1	Lever-Brake	29	133-1705	1	Decal-Service, German
8:2	256-311	1	Bushing-Split	29	133-1706	1	Decal-Service, Spanish
9	ZWQ1J000U	1	Washer-Plain	29	133-1707	1	Decal-Service, Finnish
10	131-6386	1	Bushing-Pivot	29	133-1708	1	Decal-Service, French
11	ZNN1J000U	1	Nut-Hex, NI	29	133-1709	1	Decal-Service, Italian
12	HY03355	1	Washer-Plated	29	133-1710	1	Decal-Service, Japanese
13	09394	1	Bolt	29	133-1711	1	Decal-Service, Dutch
14	21-1880	1	Grip-Handle	29	133-1712	1	Decal-Service, Norwegian
15	32151-47	1	Ring-Retaining	29	133-1713	1	Decal-Service, Polish
16	132-7099	1	Cable-Brake, Parking	29	133-1714	1	Decal-Service, Portuguese
17	32120-47	1	Ring-Retaining, External	29	133-1715	1	Decal-Service, Swedish
18	1-543286	1	Grommet	30	127-5884	1	Decal-Operation
19	2412-41	1	Clamp-R	32	132-9298	2	Decal
20	3269-6	4	Washer-Flat	33	111-5650	1	Decal-Control, Pedal (RH)
21	3249-11	2	Screw-Machine	34	111-5649	1	Decal-Control, Pedal (LH)
22	3296-9	2	Nut-Hex	35	ZDH1H035U	1	Screw-HH
23	03162	4	Screw-HH				

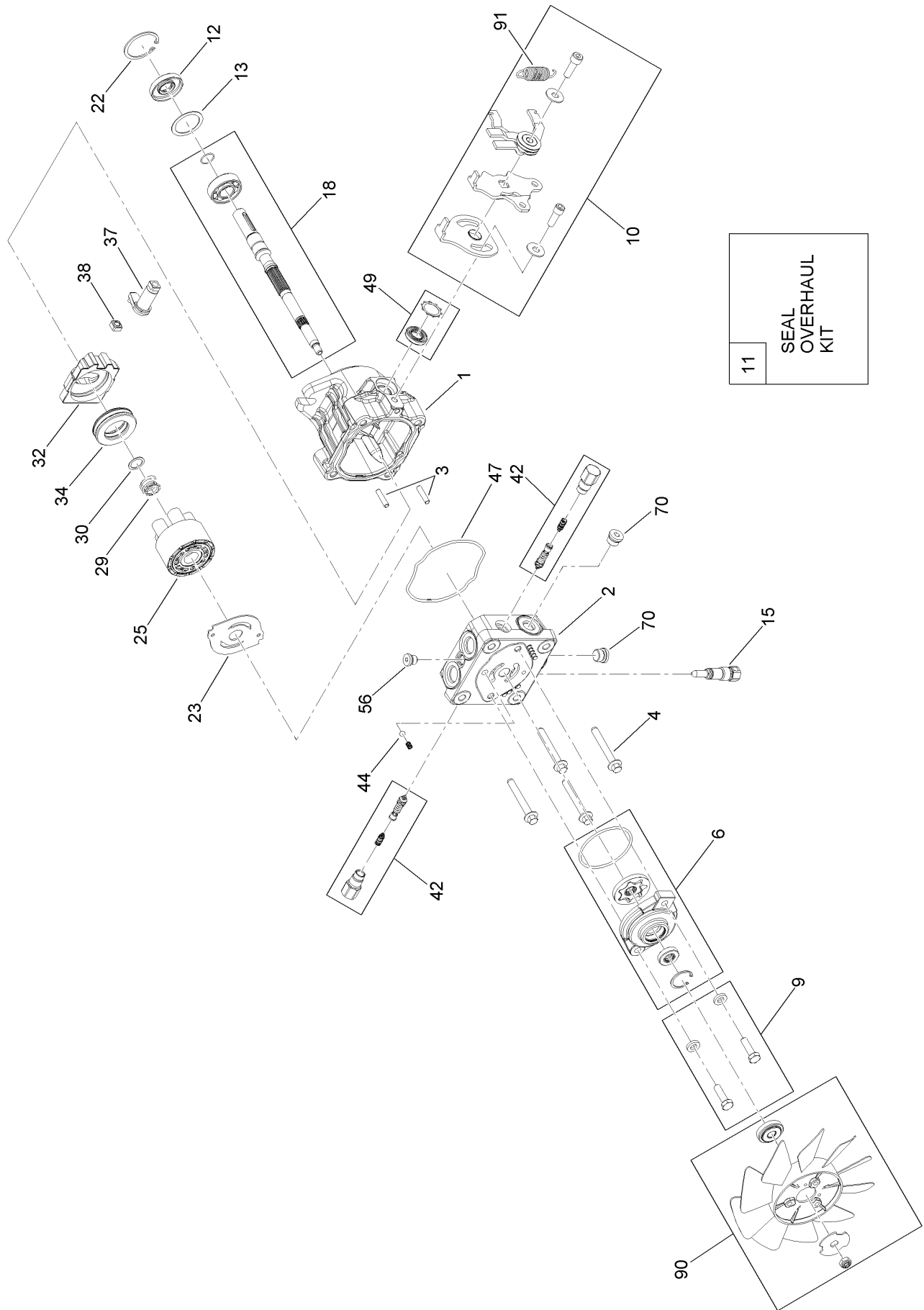
Control Assembly



Control Assembly (continued)

<i>Ref.</i>	<i>Part Number</i>	<i>Qty.</i>	<i>Description</i>	<i>Ref.</i>	<i>Part Number</i>	<i>Qty.</i>	<i>Description</i>
1	1-513051	1	Switch-Open, Normally	22	132-4798	1	Bushing
2	1-633181	1	Plate-Tapped	23	132-4807	1	Damper
3	93-2092	1	Clamp-Cable	25	132-7098	1	Cable-Traction
4	104-7201	5	Nut-HF	28	321-8	2	Screw-HH
5	HY03355	3	Washer-Plated	29	2411-41	6	Rod End-Ball Joint
6	ZWQ1J000U	7	Washer-Plain	30	3256-78	6	Washer-Flat
7	ZNN1J000U	3	Nut-Hex, NI	35	09368	2	Screw-HH
9	131-6350	2	Bushing-Pivot	36	09397	2	Bolt
10	132-4844	2	Motion Pedal ASM	39	09611	2	Bolt-HH
10:1	132-9229	1	Pedal-Motion	40	32105-8	2	Screw-SHH
10:2	256-311	2	Bushing-Split	42	340-4	2	Fitting-Straight
11	132-9224	2	Rod-Pedal	42:1	237-30	1	O-Ring
12	132-9236	1	Pedal Rod Pivot ASM	42:2	237-79	1	O-Ring
12:1	132-9220	1	Pivot-Rod, Pedal	43	340-77	2	Fitting-Elbow, 90 DEG
12:2	256-311	2	Bushing-Split	43:1	237-22	1	O-Ring
13	132-4795	1	Arm	43:2	237-42	1	O-Ring
14	132-4796	1	Arm	44	ZNH1H000U	2	Nut-Hex
15	132-9226	1	Bushing-Pivot	45	32105-18	2	Screw-HHF
16	111-5727	2	Pedal	47	132-9237	1	Bushing
17	09475	2	Washer	48	ZBH1J075U	1	Bolt-HH
18	03469	6	Washer-Spring	50	3220-1	4	Nut-Jam
19	03162	2	Screw-HH	51	321-6	1	Screw-HH
20	132-4797	1	Pump-Hydraulic	52	111-5724	1	Key-Square
21	09447	2	Nut				

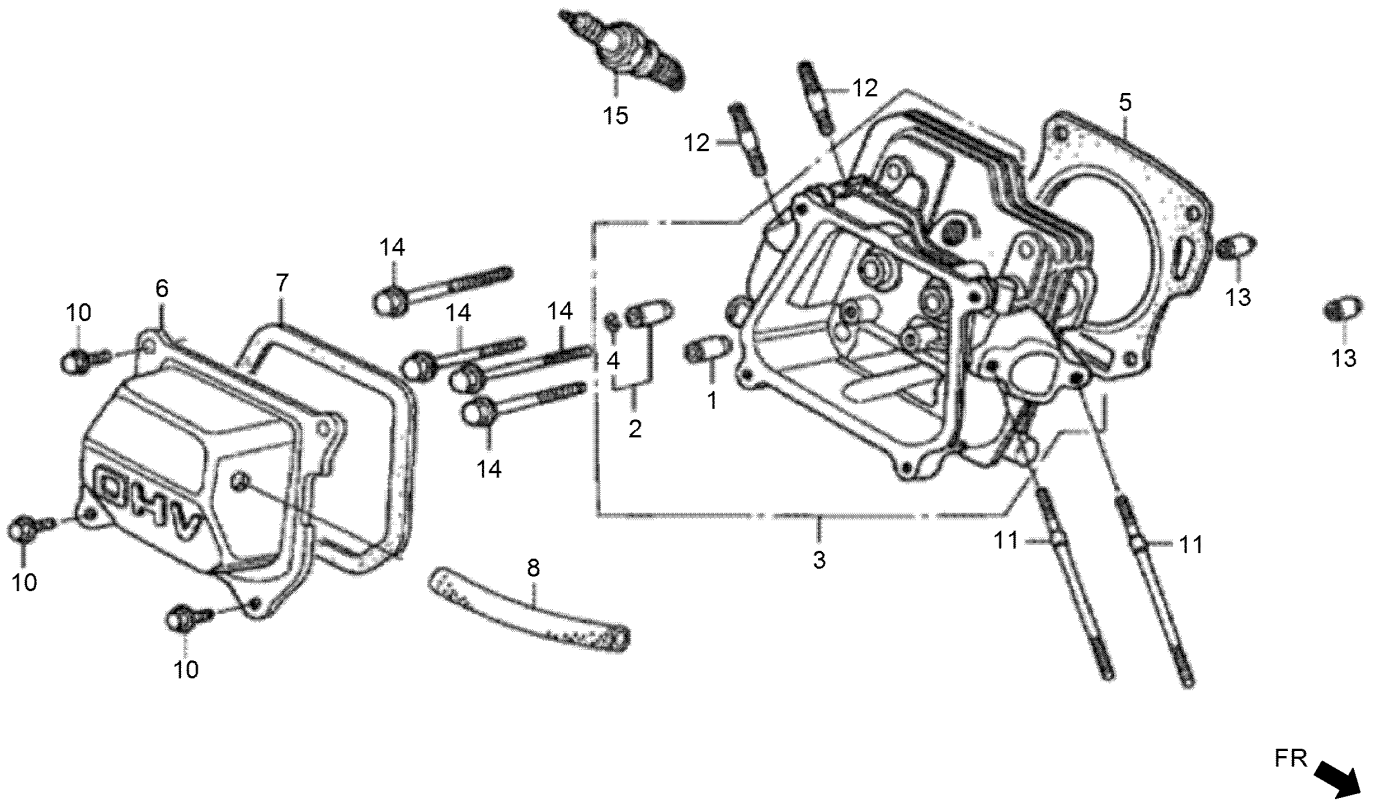
Hydraulic Pump Assembly No. 132-4797



Hydraulic Pump Assembly No. 132-4797 (continued)

<i>Ref.</i>	<i>Part Number</i>	<i>Qty.</i>	<i>Description</i>	<i>Ref.</i>	<i>Part Number</i>	<i>Qty.</i>	<i>Description</i>
1	133-1780	1	Housing Kit	30	133-1794	1	Washer-Flat
2	133-1781	1	Endcap Kit	32	133-1795	1	Swashplate-Coated, 10Cc
3	106-8753	2	Pin-Headless, Straight	34	121-3235	1	Bearing-Thrust, Plastic Cage
4	133-1783	4	Hex Flange Bolt	37	133-1797	1	Arm-Trunnion, Square (Taper)
6	133-1784	1	STD Charge Pump Kit	38	133-1798	1	Slot-Guide
9	133-1785	1	Charge Pump Bolt Kit	42	133-1799	2	Shock Valve 160 Bar Kit
10	115-4459	1	Return Kit	44	136-6150	1	Charge Relief Kit
11	105-6184	1	Seal Overhaul Kit	47	125-4682	1	O-Ring
12	104-5310	1	Seal-Lip	49	106-8761	1	Trunnion Seal / Retainer Kit
13	133-1787	1	Washer-Flat	56	106-8762	1	Plug-HSH
15	106-8759	1	Bypass Valve Kit	70	104-2189	2	Plug-Thread, Straight
18	133-1789	1	Shaft Kit	90	136-6154	1	Fan/Hub Kit
22	104-5309	1	Ring-Retaining	91	115-8307	1	Spring-Extension
23	105-6185	1	Plate-Valve				
25	103-2666	1	Cylinder Block Kit				
29	133-1793	1	Spring-Block				

Cylinder Head Assembly



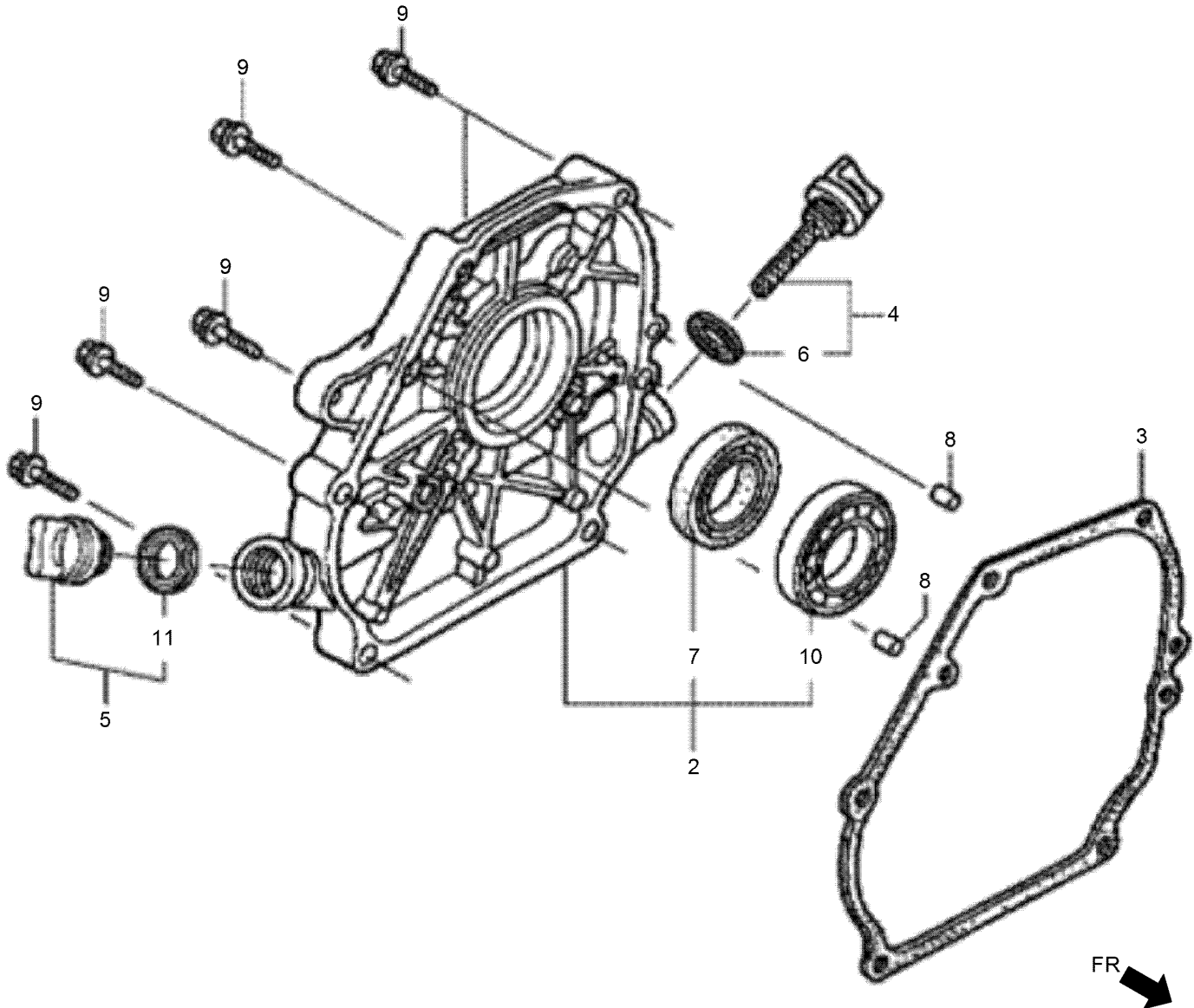
Cylinder Head Assembly (continued)

<i>Ref.</i>	<i>Part Number</i>	<i>Qty.</i>	<i>Description</i>	<i>Ref.</i>	<i>Part Number</i>	<i>Qty.</i>	<i>Description</i>
1	132-0118	1	Guide-Intake Valve	8	132-0234	1	Tube-Breather
2	132-0119	1	Guide-Exhaust Valve	10	132-4880	4	Bolt-Flange-6X12
3	132-0124	1	Cylinder Head ASM	11	132-0612	2	Bolt-Stud-6X112
4	132-0125	1	Clip-Valve Guide	12	132-0615	2	Bolt-Stud-8X32
5	132-0126	1	Gasket-Cylinder Head	13	132-0697	2	Dowel Pin-10X16
6	132-0127	1	Head Cover ASM	14	131-8226	4	Bolt-Flange-8X60
7	132-0133	1	Packing-Head Cover	15	131-8233	1	Sparkplug

Cylinder Barrel Assembly (continued)

<i>Ref.</i>	<i>Part Number</i>	<i>Qty.</i>	<i>Description</i>	<i>Ref.</i>	<i>Part Number</i>	<i>Qty.</i>	<i>Description</i>
1	132-0114	1	Barrel ASM-Cylinder	10	132-0649	1	Bearing-Radial Ball
3	132-0294	1	Governor ASM	11	132-0654	1	Oil Seal-25X41X6
4	132-0304	1	Slider-Governor	11	132-0658	1	Oil Seal-25X41.25X6
5	132-0307	1	Shaft-Governor Arm	12	132-0668	1	O-Ring-14Mm
6	132-0622	2	Bolt-Drain Plug	13	132-0686	1	Nut-Flange-10Mm
7	132-0635	1	Washer-Thrust-6Mm	14	132-0688	2	Washer-Plain-6Mm
8	132-0640	2	Washer-Drain Plug-10.2Mm	15	132-0693	1	Pin-Lock-8Mm
9	132-0642	1	Clip-Governor Holder	16	131-8221	2	Bolt-Flange-6X12
10	132-0651	1	Bearing-Radial Ball	17	132-0532	1	Switch ASM-Oil Level
10	132-0650	1	Bearing-Radial Ball				

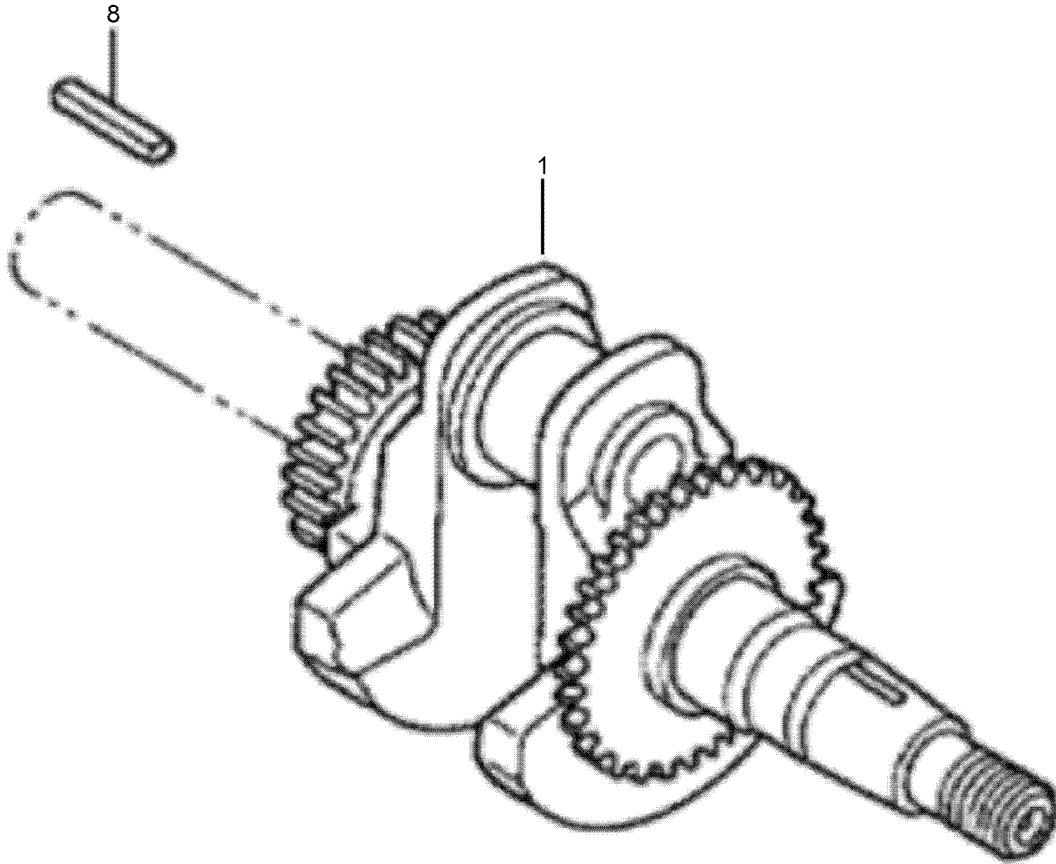
Crankcase Cover Assembly



Crankcase Cover Assembly (continued)

<i>Ref.</i>	<i>Part Number</i>	<i>Qty.</i>	<i>Description</i>	<i>Ref.</i>	<i>Part Number</i>	<i>Qty.</i>	<i>Description</i>
2	132-0103	1	Cover ASM-Crankcase	7	132-0658	1	Oil Seal-25X41.25X6
3	132-0108	1	Packing-Case Cover	8	132-0695	2	Dowel Pin-8X14
4	132-0220	1	Cap ASM-Oil Filler	9	131-8225	6	Bolt-Flange-8X32
5	132-0221	1	Cap ASM-Oil Filler	10	131-8227	1	Bearing-Radial Ball-6205
6	132-0224	1	Packing-Oil Filler Cap	11	132-0224	1	Packing-Oil Filler Cap
7	132-0654	1	Oil Seal-25X41X6				

Crankshaft Assembly

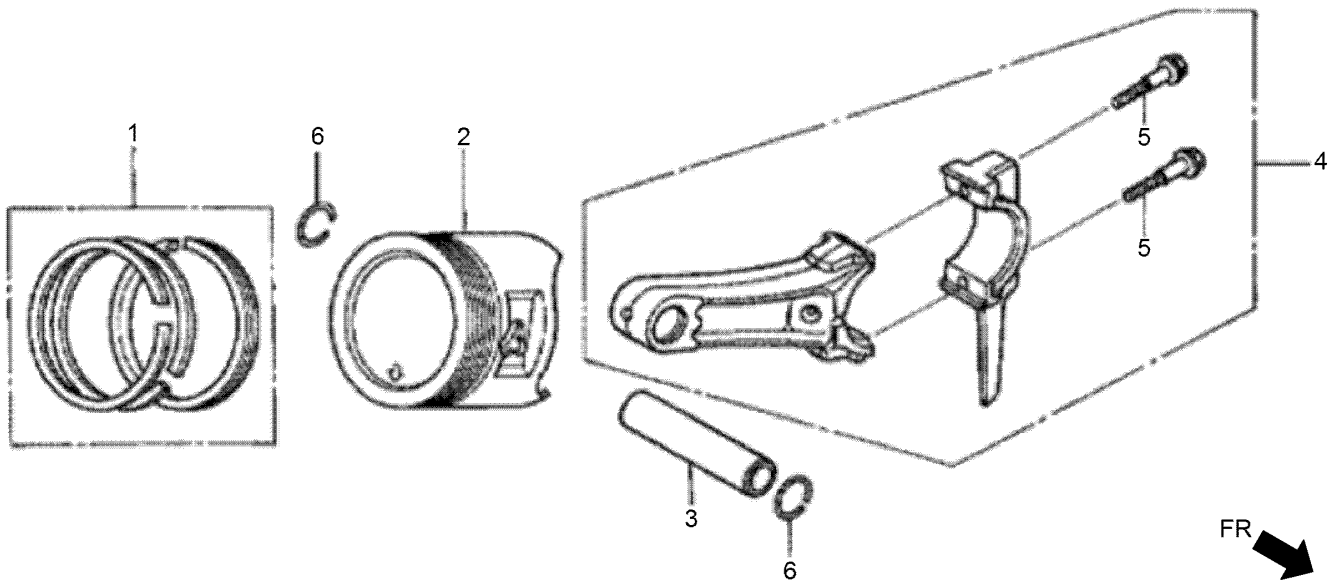


FR 

Crankshaft Assembly (continued)

<i>Ref.</i>	<i>Part Number</i>	<i>Qty.</i>	<i>Description</i>
1	132-0164	1	Crankshaft ASM
8	132-0647	1	Key-5X5X33

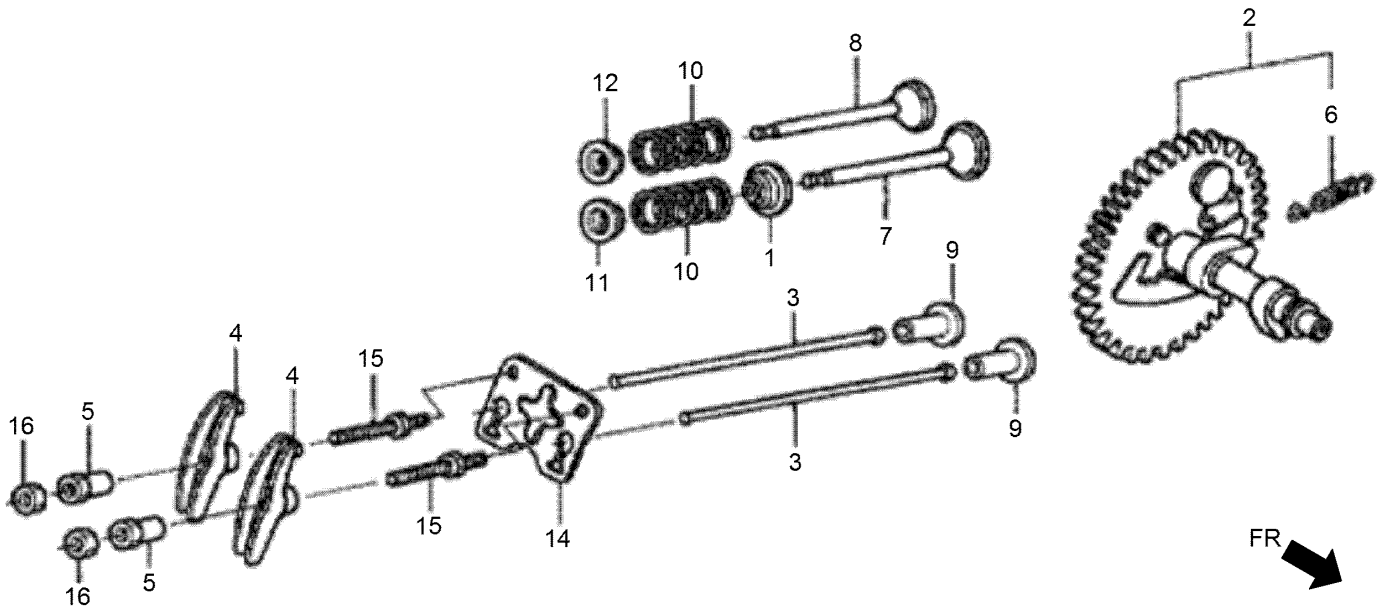
Piston and Connecting Rod Assembly



Piston and Connecting Rod Assembly (continued)

<i>Ref.</i>	<i>Part Number</i>	<i>Qty.</i>	<i>Description</i>	<i>Ref.</i>	<i>Part Number</i>	<i>Qty.</i>	<i>Description</i>
1	132-0137	1	Ring Set-Piston (STD)	4	132-0155	1	Rod ASM-Connecting
1	132-0138	1	Ring Set-Piston (STD)	5	132-0573	2	Bolt-Connecting Rod
2	132-0144	1	Piston	6	132-0637	2	Clip-Piston Pin-18Mm
3	132-0150	1	Pin-Piston				

Camshaft Assembly



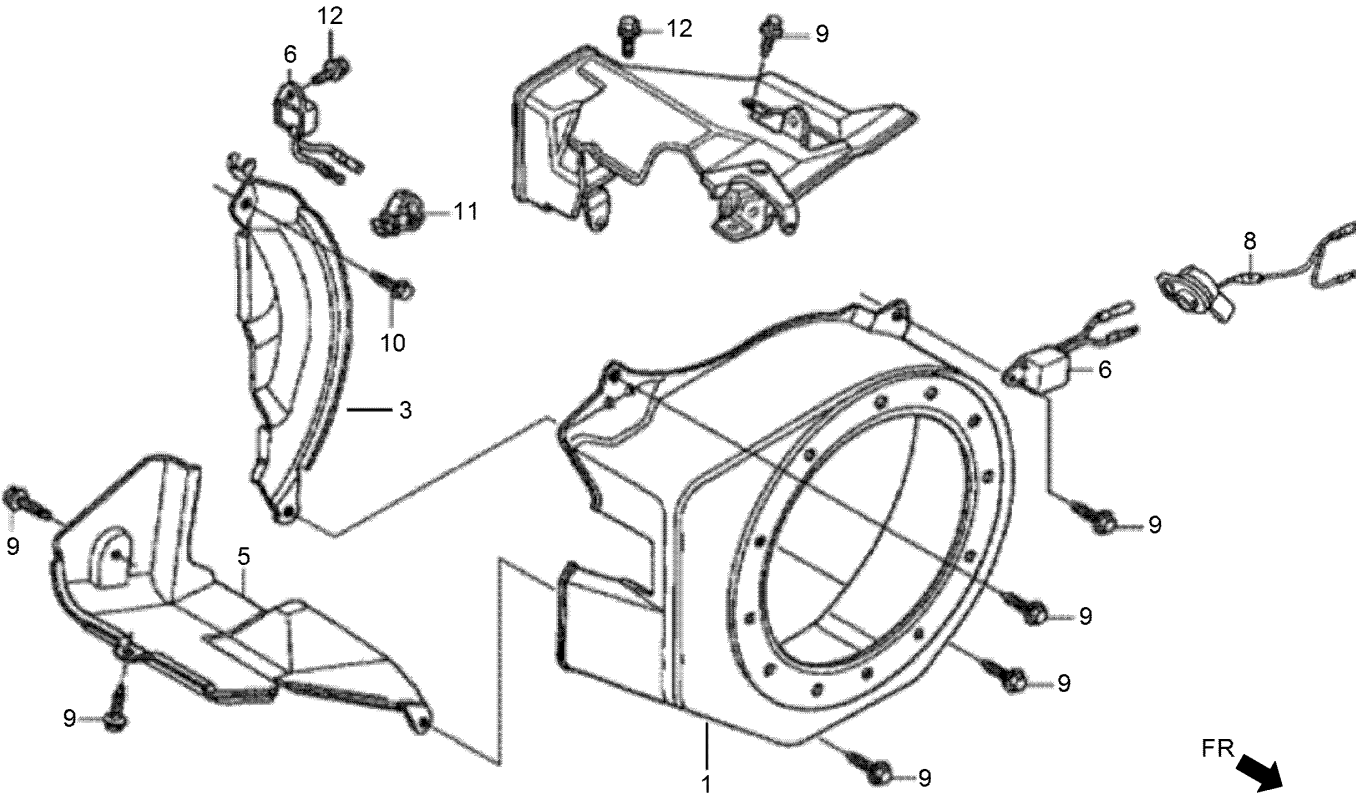
Camshaft Assembly (continued)

<i>Ref.</i>	<i>Part Number</i>	<i>Qty.</i>	<i>Description</i>	<i>Ref.</i>	<i>Part Number</i>	<i>Qty.</i>	<i>Description</i>
1	132-0120	1	Seal-Valve Stem	10	132-0206	2	Spring-Valve
2	132-0172	1	Camshaft ASM	11	132-0211	1	Retainer-Intake Valve Spring
3	132-0181	2	Rod-Push	12	132-0211	1	Retainer-Intake Valve Spring
4	132-0184	2	Arm-Valve Rocker	14	132-0215	1	Plate-Push Rod Guide
5	132-0188	2	Pivot-Rocker Arm	15	132-0592	2	Bolt-Pivot-8Mm
6	132-0191	1	Spring-Weight Return	16	132-0629	2	Nut-Pivot Adjusting
7	132-0194	1	Valve-Intake				
8	132-0198	1	Valve-Exhaust				
9	132-0203	2	Lifter-Valve				

Recoil Starter Assembly (continued)

<i>Ref.</i>	<i>Part Number</i>	<i>Qty.</i>	<i>Description</i>	<i>Ref.</i>	<i>Part Number</i>	<i>Qty.</i>	<i>Description</i>
1	132-0477	1	Starter ASM-Recoil	8	132-0494	1	Spring-Friction
2	132-0485	1	Spacer-Recoil Starter Mtg	9	132-0495	1	Spring-Recoil Starter
3	132-0486	1	Recoil Starter Case ASM (R280)	10	132-0497	2	Spring-Return
4	132-0489	1	Reel-Recoil Starter	12	132-0507	1	Rope-Recoil Starter
5	132-0491	2	Ratchet-Starter	14	132-0579	1	Screw-Setting
6	132-0492	1	Plate-Friction	15	131-8223	3	Bolt-Flange-6X18
7	132-0493	1	Guide-Ratchet	17	132-0502	1	Knob-Recoil Starter
				18	132-0509	1	Knob-Reinforcement

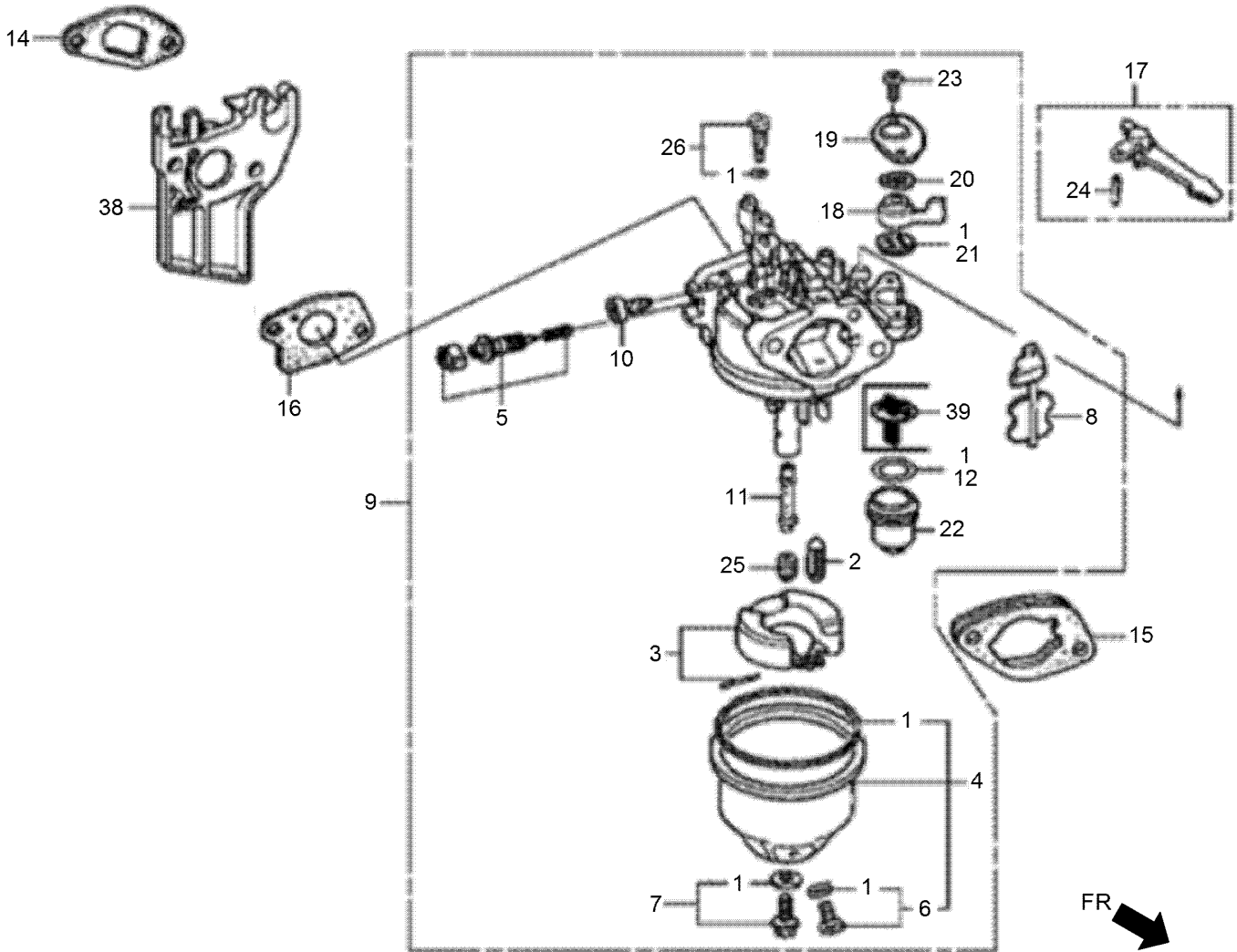
Fan Cover Assembly



Fan Cover Assembly (continued)

<i>Ref.</i>	<i>Part Number</i>	<i>Qty.</i>	<i>Description</i>	<i>Ref.</i>	<i>Part Number</i>	<i>Qty.</i>	<i>Description</i>
1	132-0464	1	Fan Cover ASM (R280)	9	132-4880	6	Bolt-Flange-6X12
3	132-0469	1	Side Plate ASM	10	132-0605	1	Bolt-Flange-6X20
5	132-0473	1	Shroud ASM	11	132-0641	1	Clip-Harness
6	132-0529	1	Alert Unit-Oil	12	131-8220	1	Bolt-Flange-6X8
8	132-0530	1	Switch ASM-Engine Stop				

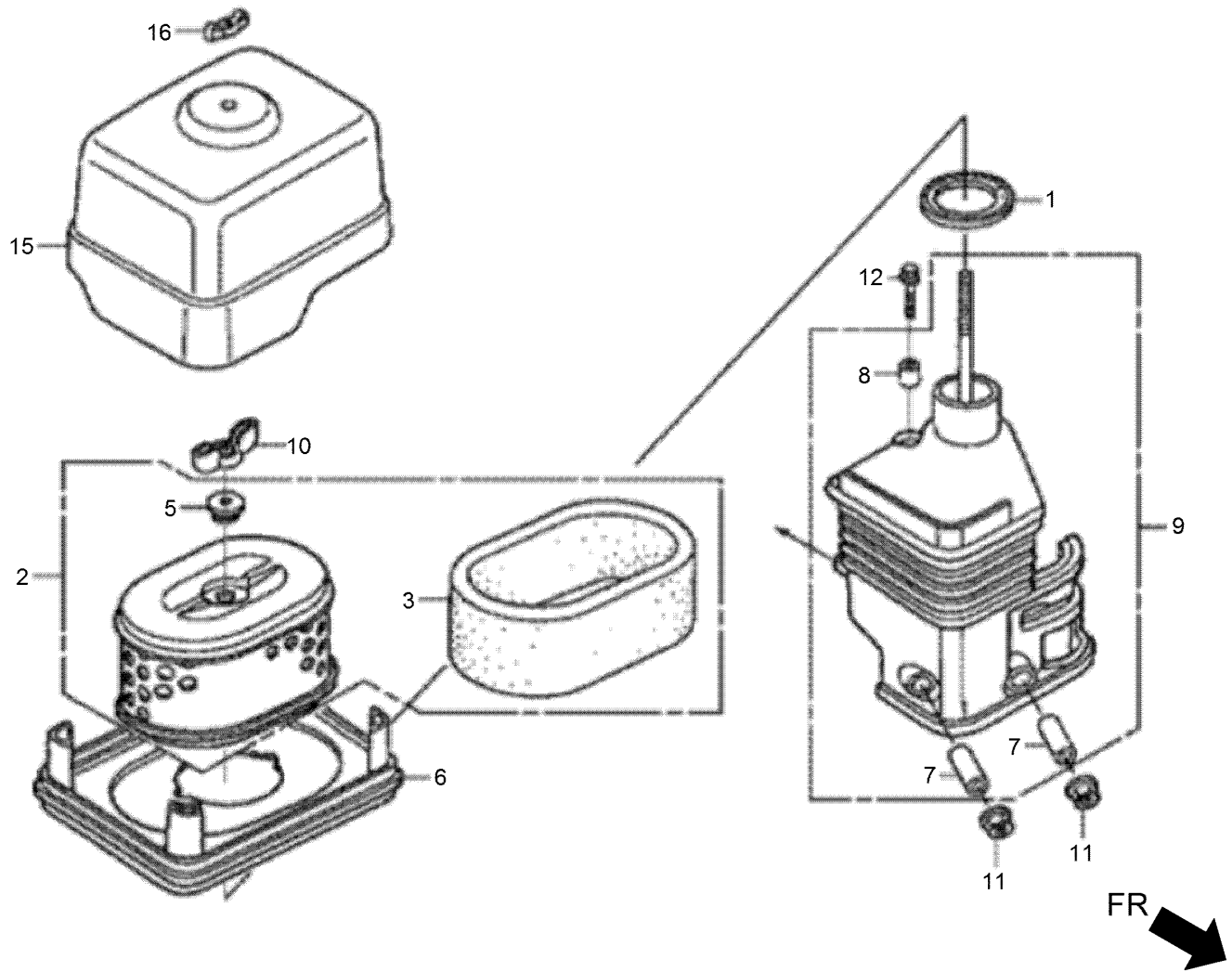
Carburetor Assembly



Carburetor Assembly (continued)

<i>Ref.</i>	<i>Part Number</i>	<i>Qty.</i>	<i>Description</i>	<i>Ref.</i>	<i>Part Number</i>	<i>Qty.</i>	<i>Description</i>
1	132-0239	1	Gasket Set	16	132-0287	1	Packing-Carburetor
2	132-0241	1	Valve Set-Float	17	132-0343	1	Choke Lever ASM
3	132-0242	1	Float Set	18	132-0359	1	Lever-Cock
4	132-0247	1	Chamber Set-Float	19	132-0360	1	Plate-Lever Setting
5	132-0250	1	Screw Set-Pilot	20	132-0362	1	Spring-Cock Lever
6	132-0251	1	Screw Set-Drain	21	132-0364	1	Packing-Fuel Cock
7	132-0253	1	Screw Set	22	132-0366	1	Cup-Fuel Strainer
8	132-0257	1	Choke Set	23	132-0676	2	Screw-Pan-3X6
9	132-0265	1	Carburetor ASM	24	132-0698	1	Pin-Spring-2X12
10	132-0268	1	Screw-Throttle Stop	25	131-8237	1	Jet-Main, No. 75
11	132-0272	1	Nozzle-Main	26	131-8239	1	Jet Set-Pilot, No. 40
12	132-0276	1	Packing-Fuel Strainer Cup	38	132-0278	1	Insulator-Carburetor
14	132-0281	1	Packing-Insulator	39	132-0365	1	Filter-Cup
15	132-0284	1	Carburetor Spacer ASM				

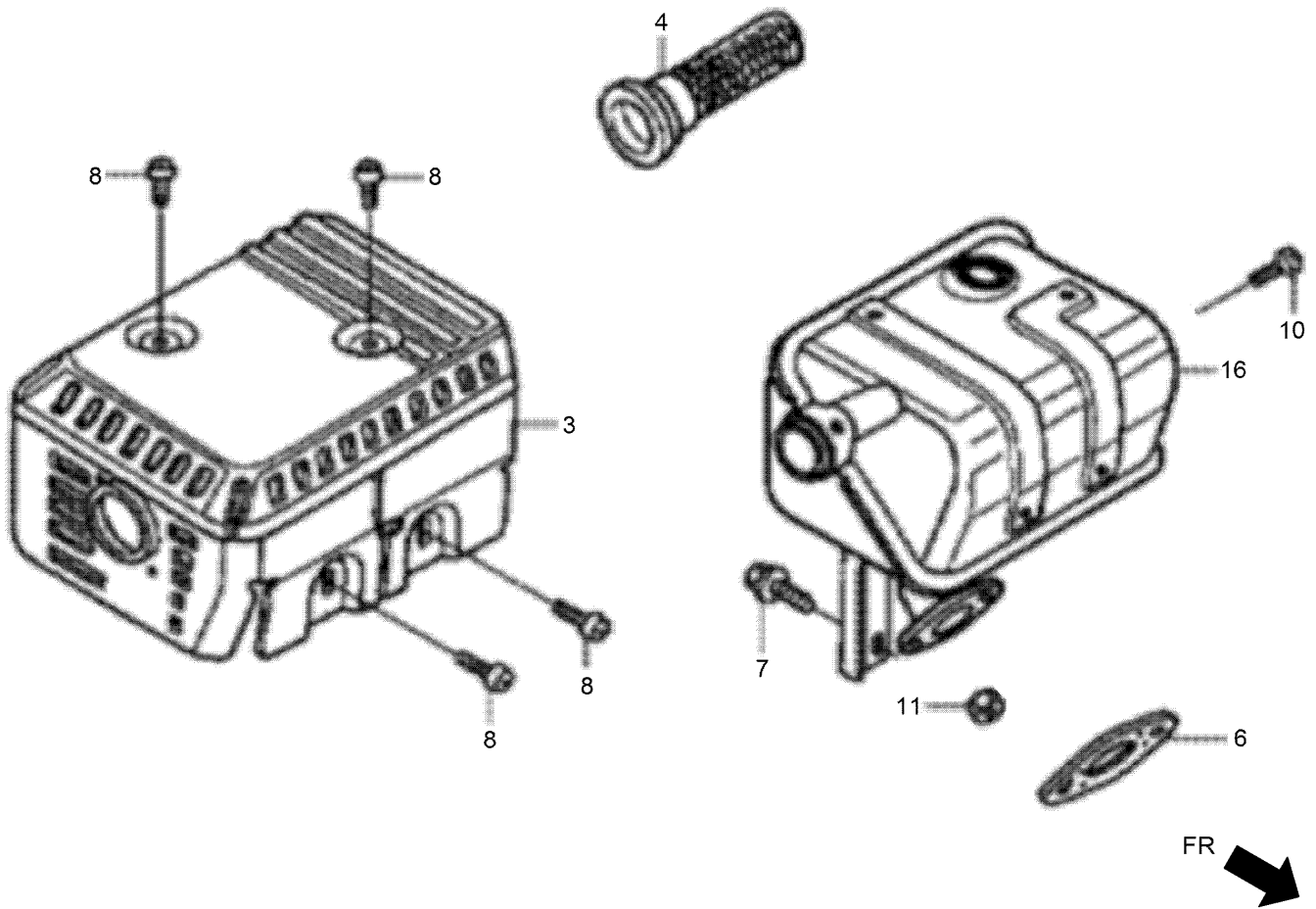
Air Cleaner Assembly



Air Cleaner Assembly (continued)

<i>Ref.</i>	<i>Part Number</i>	<i>Qty.</i>	<i>Description</i>	<i>Ref.</i>	<i>Part Number</i>	<i>Qty.</i>	<i>Description</i>
1	132-0291	1	Packing-Elbow	9	132-0396	1	Elbow Comp-Air Cleaner
2	132-0367	1	Element-Air Cleaner	10	132-0631	1	Nut-Tool Box Setting
3	132-0372	1	Filter-Outer	11	132-4881	2	Nut-Flange-6Mm
5	132-0391	1	Grommet-Air Cleaner	12	131-8224	1	Bolt-Flange-6X20
6	132-0392	1	Nose-Silencer	15	132-0388	1	Cover-Air Cleaner
7	132-0393	2	Collar-Air Cleaner	16	132-0630	1	Nut-Air Cleaner
8	132-0394	1	Collar B-Air Cleaner				

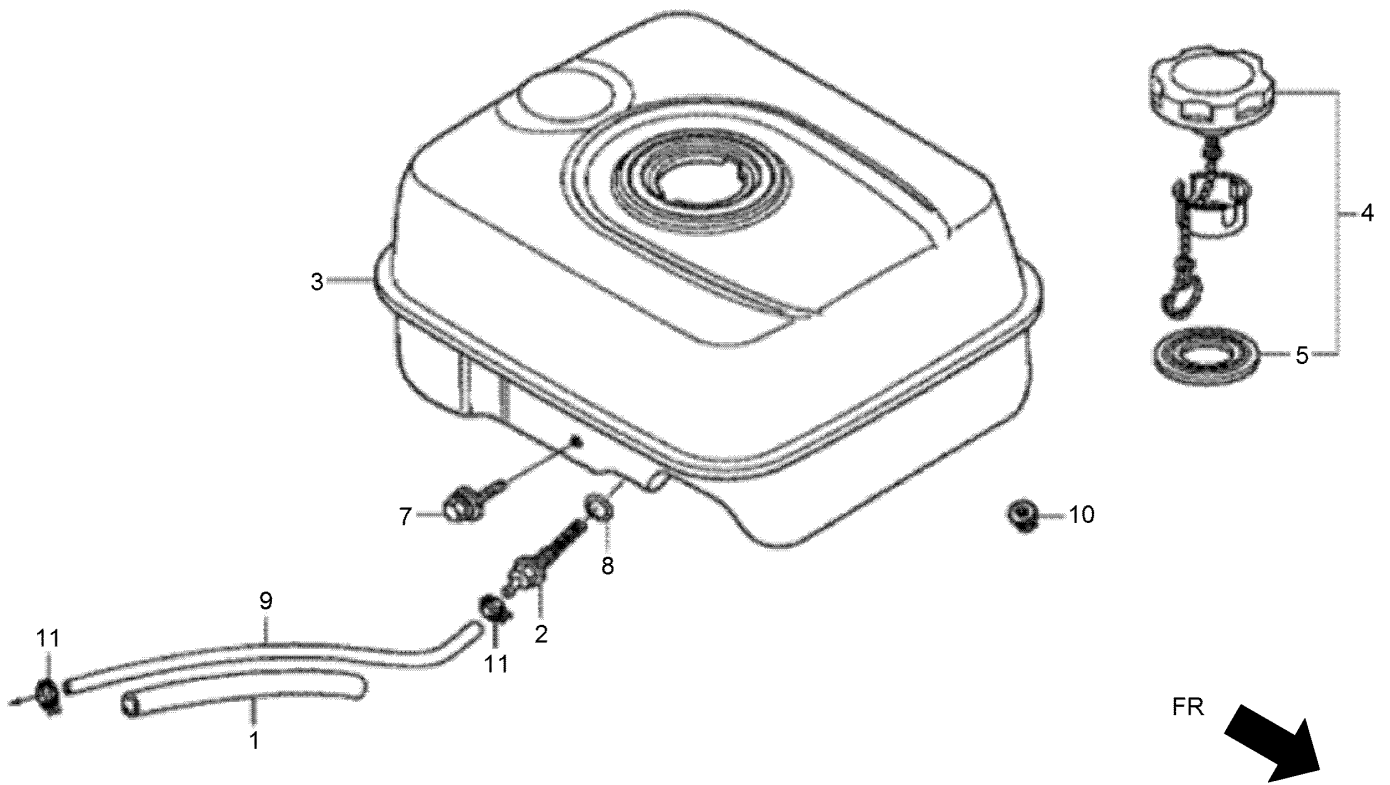
Muffler Assembly



Muffler Assembly (continued)

<i>Ref.</i>	<i>Part Number</i>	<i>Qty.</i>	<i>Description</i>	<i>Ref.</i>	<i>Part Number</i>	<i>Qty.</i>	<i>Description</i>
3	132-0453	1	Muffler Protector ASM	8	132-0616	4	Screw-Tapping-5X8
4	132-0456	2	Arrester-Spark	10	132-0617	1	Screw-Tapping-4X6
6	132-0457	2	Gasket-Muffler	11	132-0684	2	Nut-Hex-8Mm
7	132-0600	1	Bolt-Flange-6X13	16	132-0446	1	Muffler ASM

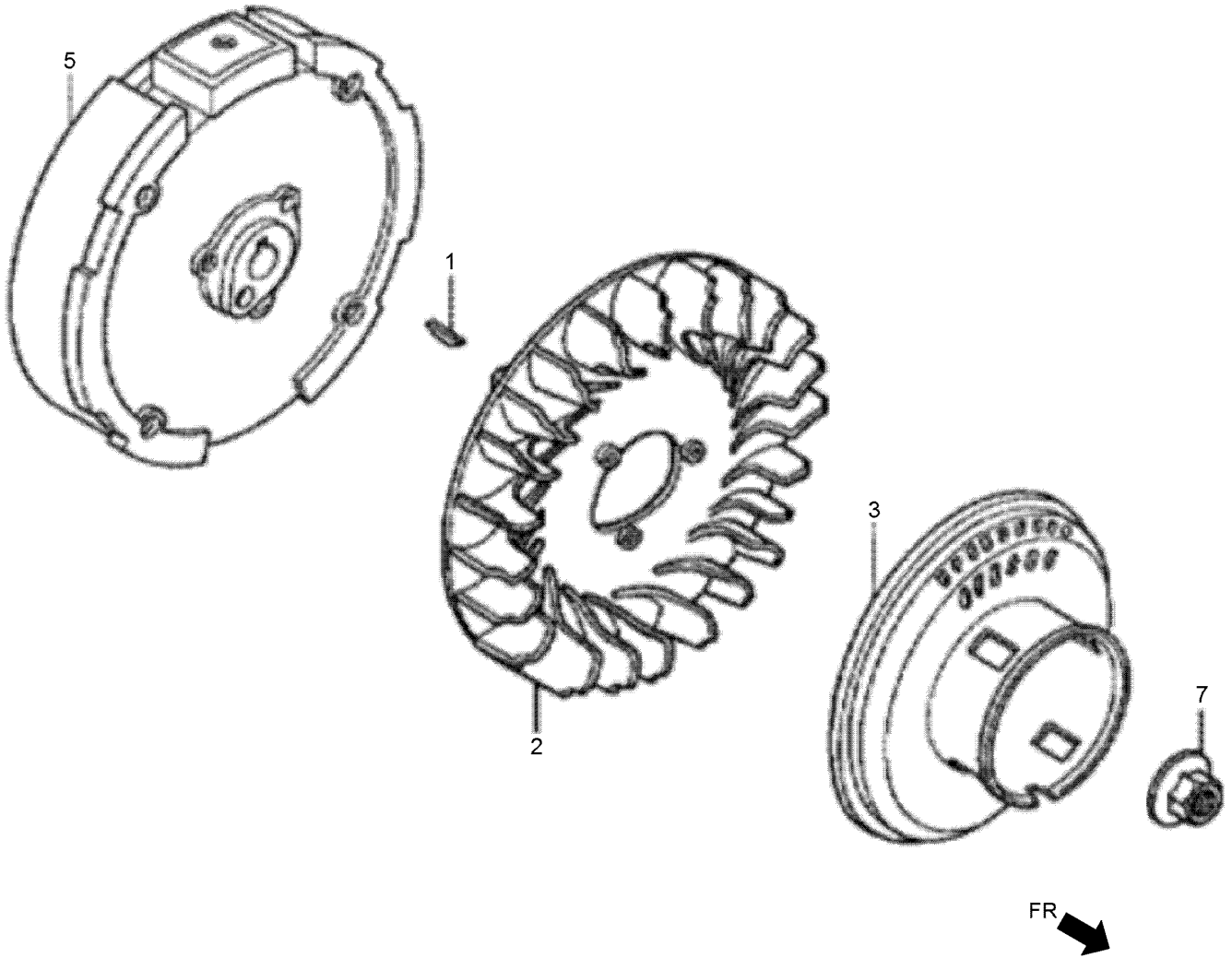
Fuel Tank Assembly



Fuel Tank Assembly (continued)

<i>Ref.</i>	<i>Part Number</i>	<i>Qty.</i>	<i>Description</i>	<i>Ref.</i>	<i>Part Number</i>	<i>Qty.</i>	<i>Description</i>
1	132-0349	1	Rubber-Supporter	7	132-0583	1	Bolt-Flange-6X34
2	132-0361	1	Joint-Fuel Tank	8	132-0668	1	O-Ring-14Mm
3	132-0397	1	Fuel Tank ASM (Nh31)	9	132-0669	1	Tube-Fuel-4.5X145
4	132-0414	1	Fuel Filler Cap ASM	10	132-4881	2	Nut-Flange-6Mm
5	132-0431	1	Packing-Fuel Filler Cap	11	131-8211	2	Clamp-Tube

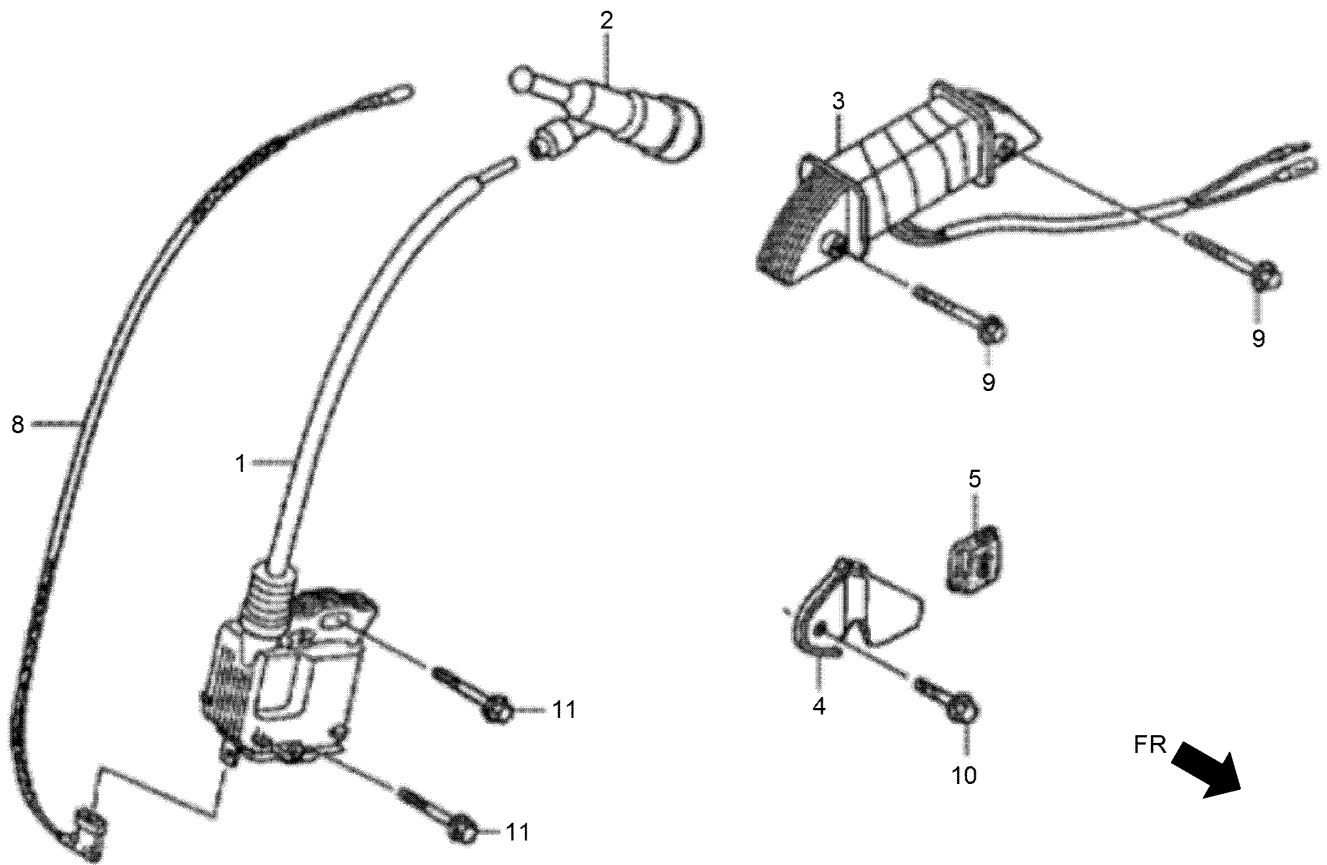
Flywheel Assembly



Flywheel Assembly (continued)

<i>Ref.</i>	<i>Part Number</i>	<i>Qty.</i>	<i>Description</i>	<i>Ref.</i>	<i>Part Number</i>	<i>Qty.</i>	<i>Description</i>
1	132-0167	1	Key-Special Woodruff-25X18	3	132-0499	1	Starter Pulley ASM
2	132-0461	1	Fan-Cooling	5	132-0519	1	Flywheel ASM
				7	132-0625	1	Nut-Special-14Mm

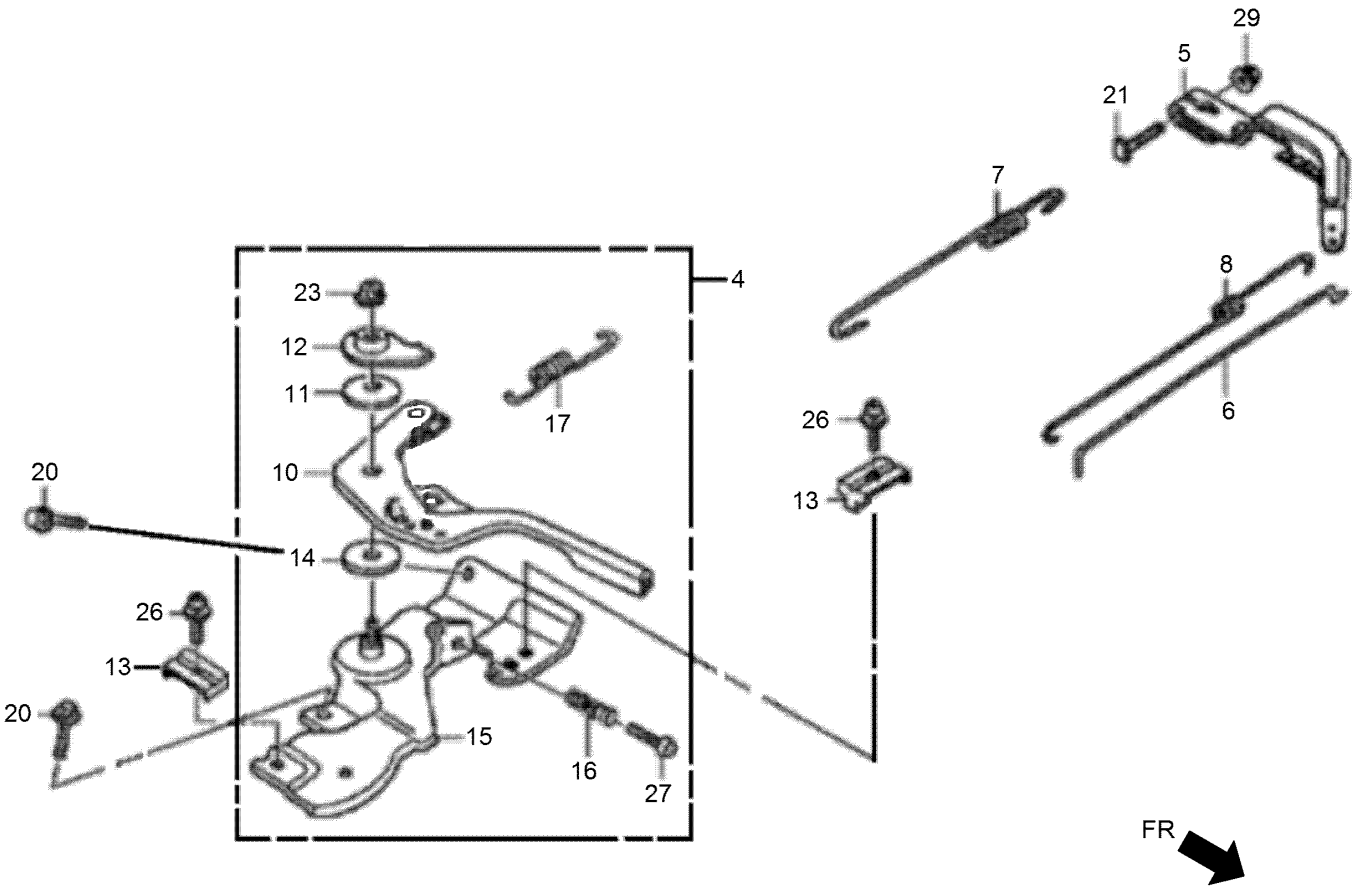
Ignition Coil Assembly



Ignition Coil Assembly (continued)

<i>Ref.</i>	<i>Part Number</i>	<i>Qty.</i>	<i>Description</i>	<i>Ref.</i>	<i>Part Number</i>	<i>Qty.</i>	<i>Description</i>
1	132-0510	1	Coil ASM-Ignition	8	132-0533	1	Cord-Stop Switch
2	132-0515	1	Cap ASM-Noise Suppressor	9	132-0596	2	Bolt-Flange-6X28
3	132-0521	1	Coil ASM-Lamp	10	132-0604	1	Bolt-Flange-5X10
4	132-0522	1	Clamper-Cord	11	132-0620	2	Bolt-Flange-6X25
5	132-0523	1	Grommet-Cord				

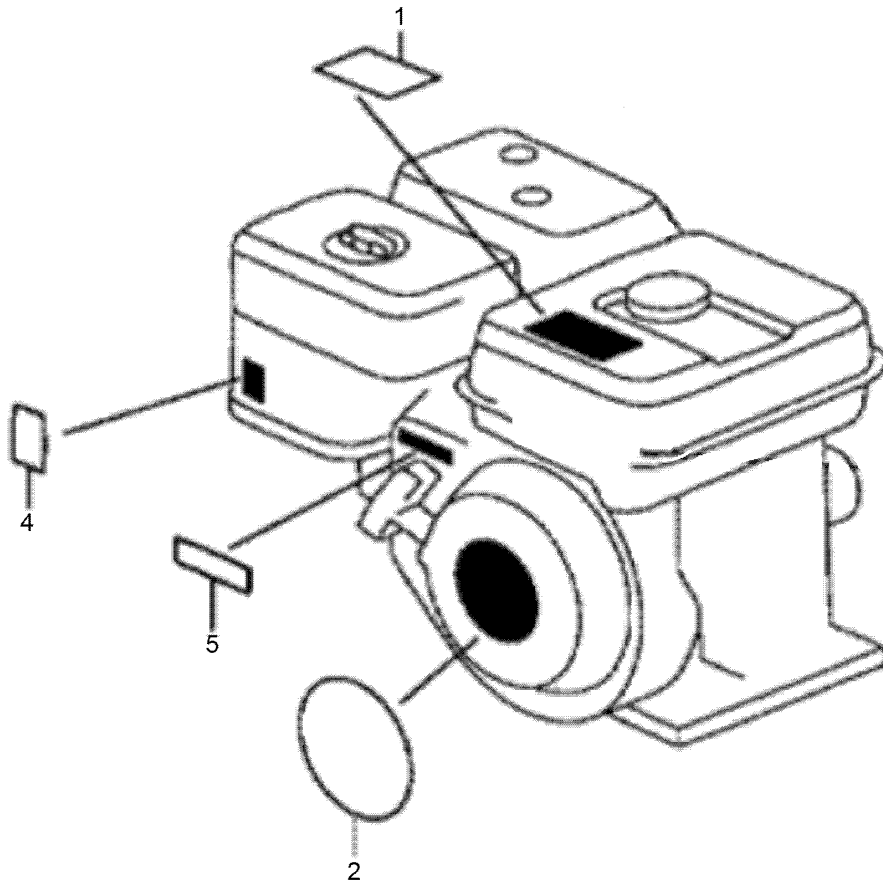
Control Assembly



Control Assembly (continued)

<i>Ref.</i>	<i>Part Number</i>	<i>Qty.</i>	<i>Description</i>	<i>Ref.</i>	<i>Part Number</i>	<i>Qty.</i>	<i>Description</i>
4	132-0292	1	Control ASM	15	132-0337	1	Control Base ASM
5	132-0311	1	Arm-Governor	16	132-0340	1	Spring-Control Adjusting
6	132-0316	1	Rod-Governor	17	132-0341	1	Spring-Cable Return
7	132-0320	1	Spring-Governor	20	132-4880	2	Bolt-Flange-6X12
8	132-0324	1	Spring-Throttle Return	21	132-0597	1	Bolt-Governor Arm
10	132-0328	1	Lever-Control	23	132-0619	1	Nut-Self-Lock-6Mm
11	132-0329	1	Spring-Lever	26	132-0678	1	Screw-Pan-5X16
12	132-0330	1	Washer-Control Lever	27	132-0679	1	Screw-Pan-5X25
13	132-0331	1	Holder-Cable	29	132-4881	1	Nut-Flange-6Mm
14	132-0332	1	Spacer-Control Lever				

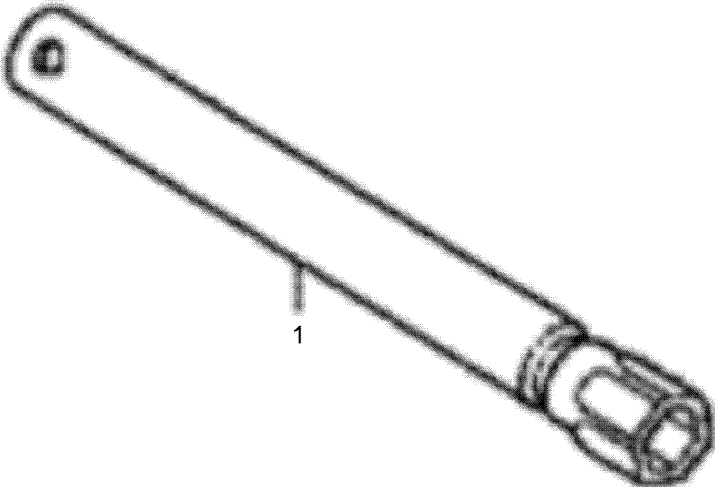
Label Assembly



Label Assembly (continued)

<i>Ref.</i>	<i>Part Number</i>	<i>Qty.</i>	<i>Description</i>	<i>Ref.</i>	<i>Part Number</i>	<i>Qty.</i>	<i>Description</i>
1	132-0559	1	Mark-Operator Caution	4	132-0566	1	Mark-Choke
2	132-0561	1	Emblem	5	132-0567	1	Mark-Throttle Indication

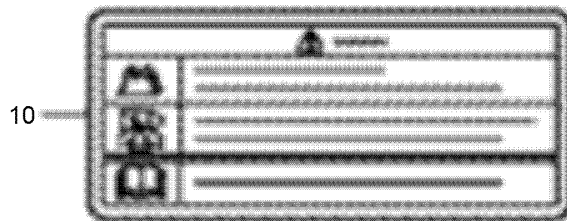
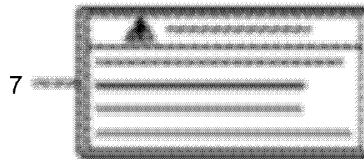
Wrench



Wrench (continued)

<i>Ref.</i>	<i>Part Number</i>	<i>Qty.</i>	<i>Description</i>
1	132-0572	1	Wrench-Spark Plug

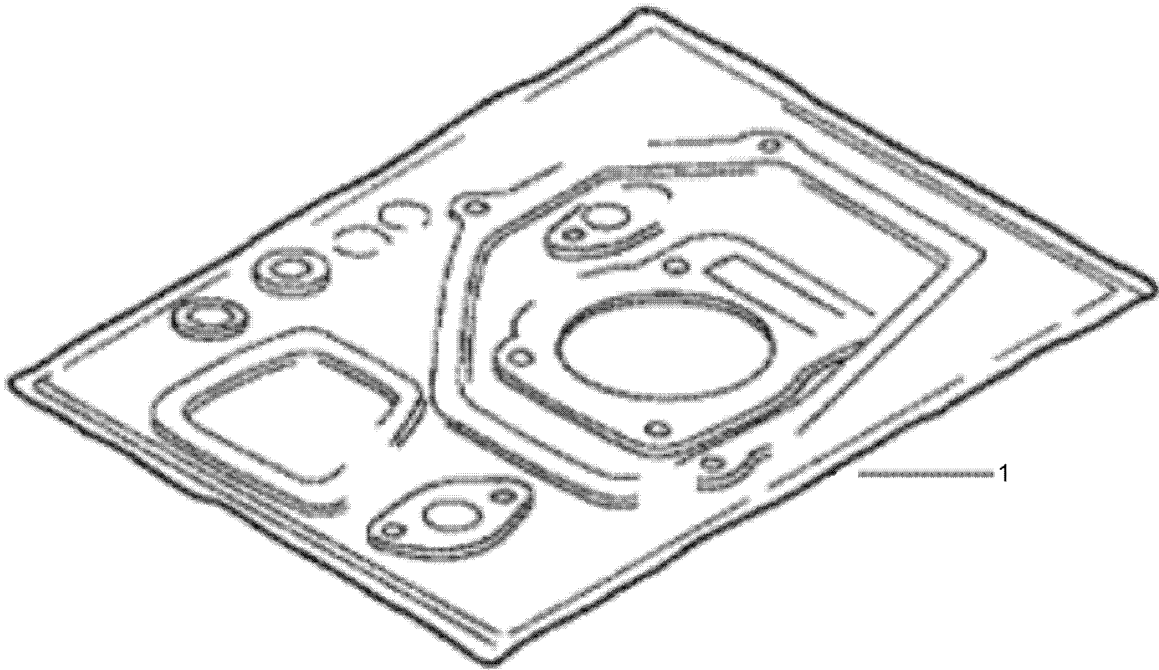
Decal Assembly



Decal Assembly (continued)

<i>Ref.</i>	<i>Part Number</i>	<i>Qty.</i>	<i>Description</i>	<i>Ref.</i>	<i>Part Number</i>	<i>Qty.</i>	<i>Description</i>
5	132-0552	1	Mark-Operator Caution (English)	7	132-0571	1	Mark-Exhaust Caution (French)
5	132-0553	1	Mark-Operator Caution (French)	10	132-0557	1	Mark-Operator Caution (Chinese)
7	132-0570	1	Mark-Exhaust Caution (English)				

Gasket Kit



Gasket Kit (continued)

<i>Ref.</i>	<i>Part Number</i>	<i>Qty.</i>	<i>Description</i>
1	132-0100	1	Gasket Kit

Attachments and Accessories

For 44913 GreensPro 1260 Greens Roller

Product Name	Model/Part
Filter-Oil, Hyd.....	1-633750
Premium All Season Hydraulic Fluid (5 Gallon Pail).....	108-1178
Premium Engine Oil 10w30 (5 Gallon Pail)	121-6393
Roller Scraper Kit.....	44911
Wireless Hour Meter Kit.....	44927

Notes:



Count on it.