



Count on it.

Parts Catalog

Reelmaster® 3100-D

Traction Unit With Sidewinder®

Model No. 03171—Serial No. 40000000 and Up



Ordering Replacement Parts

To order replacement parts, please supply the part number, the quantity, and the description of each part desired.

Understanding Reference Numbers

Each identified part in an illustration has a reference number. The reference number for a part also appears in the parts list, along with other information about the part.

This catalog uses two special reference number formats, one to indicate parts in a service assembly and another to indicate the quantity of a given part in an illustration.

Service Assembly Reference Numbers

Parts in service assemblies have reference numbers in the form a:b. The a represents the reference number of the entire service assembly and the b represents a sequential number unique to each part within the service assembly.

For example, a wheel assembly might be identified by reference number 6, the tire by 6:1, the valve by 6:2, and the wheel by 6:3. When you order the assembly identified by reference number 6, you receive all parts identified by reference numbers 6:1, 6:2, and 6:3. However, you may also order any part individually. Reference numbers of this type appear in illustration and in parts lists.

Reference Numbers Indicating Quantity

In an illustration, if a reference number indicates more than one part, the reference number has the form nX y. The n represents the quantity of the part, the X is the multiplication symbol, and the y represents the reference number.

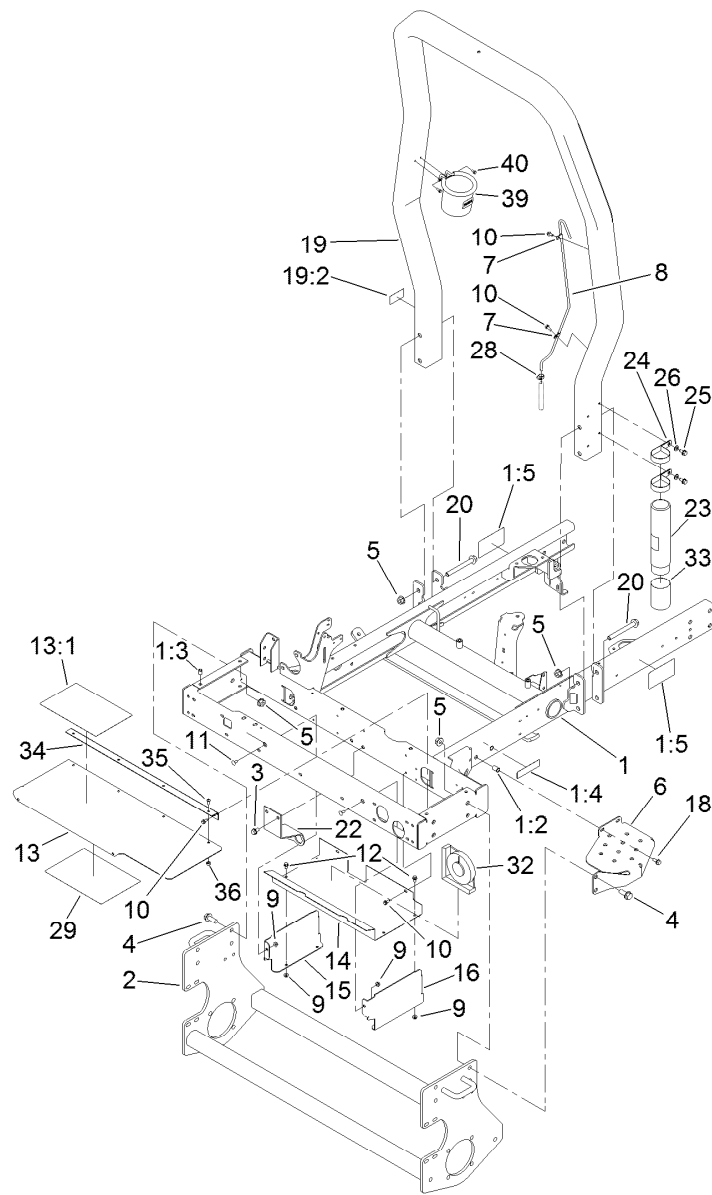
For example, in an illustration, the reference number 2X 37 means that two of the parts identified by reference number 37 are indicated.

Contents

Frame and Platform Assembly	5
Front Wheel and Brake Assembly	6
Hydraulic Motor Assembly No. 110-8785	8
Hydraulic Motor Assembly No. 110-8786	9
Brake Assembly No. 104-7705	10
Steering Column Assembly	11
Steering Valve Assembly No. 121-7856	12
Rear Fork and Tire Assembly	13
Hydraulic Cylinder Assembly No. 94-8141	15
Hydraulic Motor Assembly No. 95-8694	16
Control Panel Assembly	17
Front Platform Assembly	18
Traction Pedal Assembly	19
Control Valve Installation Assembly	20
Valve Assembly No. 95-8581	21
Rear Lift Arm Assembly	22
Hydraulic Cylinder Assembly No. 112-9916	24
Neutral Arm Assembly	25
Engine Assembly	26
Air Cleaner and Muffler Assembly	27
Air Cleaner Assembly No. 93-2190	28
Radiator Assembly	29
Hood Assembly	30
Fuel System Assembly	31
Manifold Block Assembly	32
Hydraulic Manifold Assembly No. 108-9037	33
Hydraulic Tank Assembly	34
Hydrostat Assembly	35
Hydraulic Pump Assembly No. 104-4890	37
Gear Pump Assembly No. 95-8601	39
Carrier Assembly	40
Scissor Assembly	42
Reel Motor Assembly	43
Gear Motor Assembly No. 115-8250	44
Battery Assembly	45
Parking Brake Assembly	46
Seat Assembly	47
Crankcase Assembly	48
Oil Pan and Dipstick Assembly	49
Cylinder Head Assembly	50
Gear Case and Oil Filter Cartridge Assembly	51
Cylinder Head Cover Assembly	52
Main Bearing Case Assembly	53
Camshaft and Idle Gear Shaft Assembly	54
Piston and Crankshaft Assembly	55
Fuel Camshaft and Governor Shaft Assembly	56
Idle Apparatus Assembly	57
Stop Solenoid and Fuel Pump Cover Assembly	58
Injection Pump Assembly	59
Governor Assembly	60
Speed Control Plate Assembly	61
Nozzle Holder and Glow Plug Assembly	62
Nozzle Holder Assembly	63
Alternator, Pulley and Fan Assembly	64

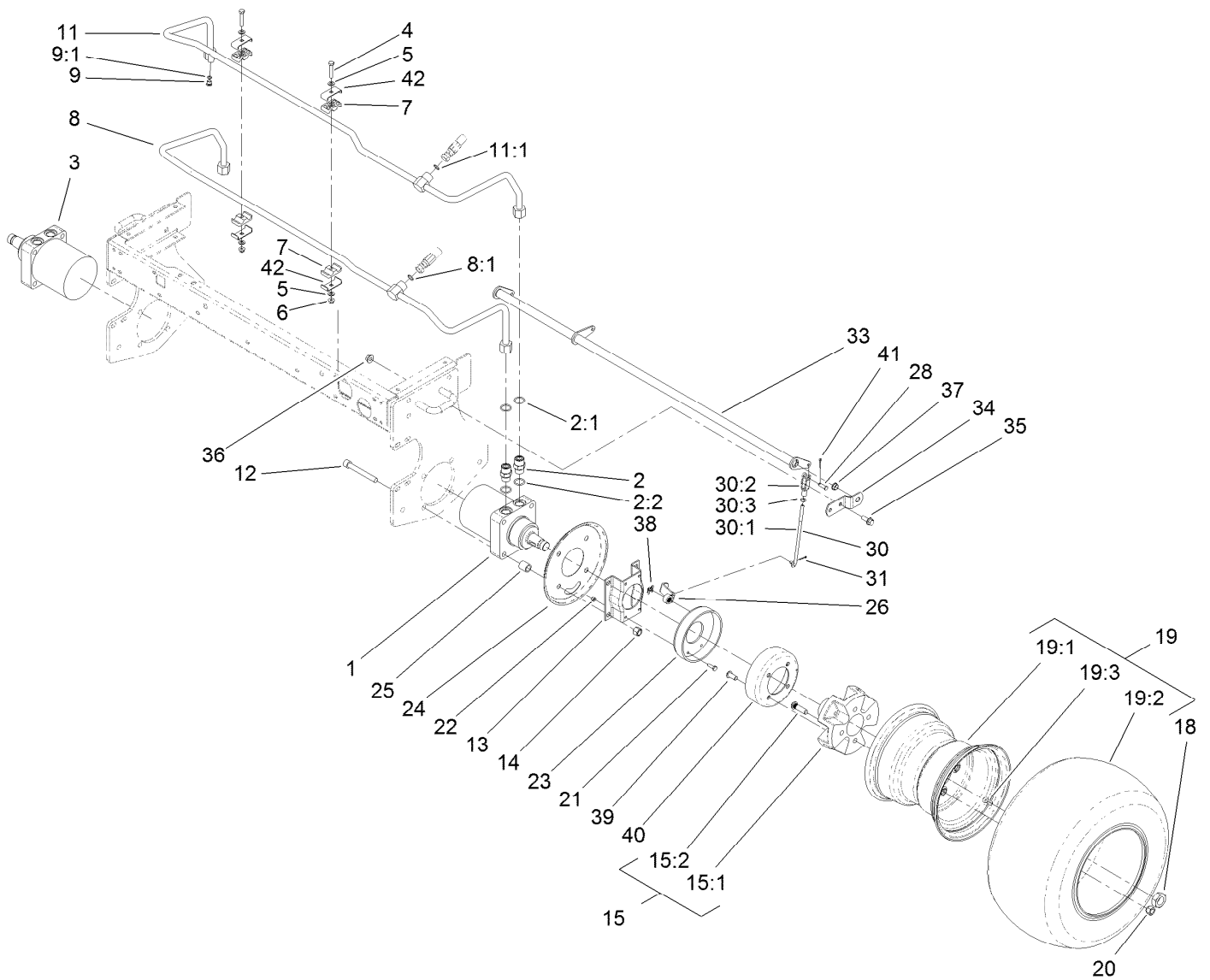
Contents (continued)

Alternator Components Assembly	65
Starter and Flywheel Assembly	66
Starter Component Assembly	67
Water Flange and Thermostat Assembly	68
Water Pump and Water Pipe Assembly	69
Valve and Rocker Arm Assembly	70
Inlet and Exhaust Manifold Assembly	71
Miscellaneous Engine Parts	72
Upper Gasket Kit	73
Lower Engine Gasket Kit	74
Attachments and Accessories	75



Frame and Platform Assembly

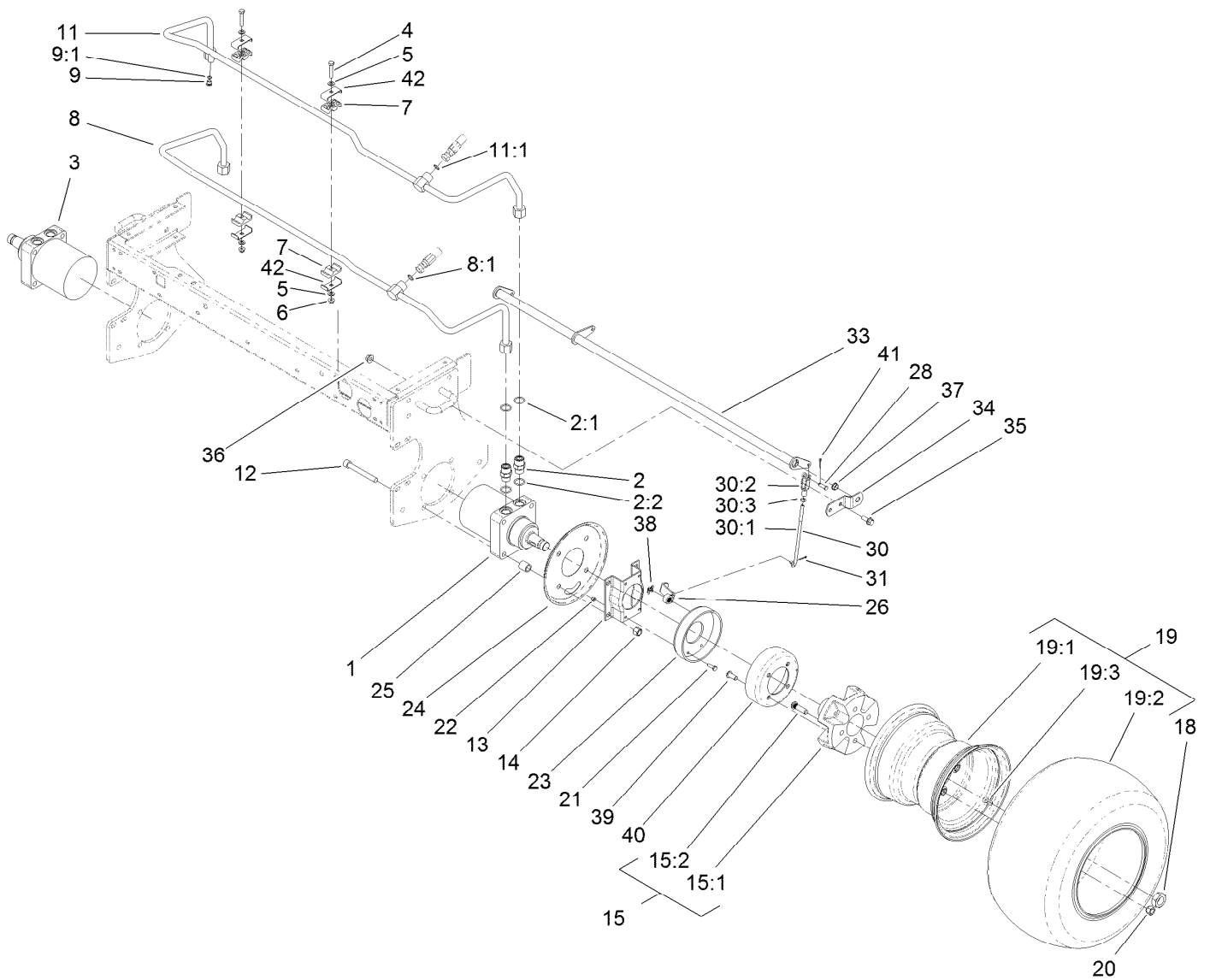
Ref.	Part Number	Qty.	Description	Ref.	Part Number	Qty.	Description
1	121-3639	1	Frame	16	99-3432-03	1	End-Toolbox, LH
1:2	32148-8	2	Nut-Clinch	18	3234-5	2	Screw-HHF
1:3	32148-6	2	Nut-Clinch	19	127-8493	1	ROPS ASM
1:4	117-2718	1	Decal-Arrester, Spark	19:2	127-8596	1	Decal-ROPS
1:5	117-3270	2	Decal-Danger	20	117-3176	4	Screw-HHF
2	95-8568-03	1	Frame-Lower	22	115-3417-03	1	Bracket-Bulkhead, Scissor
3	32144-15	2	Screw-HHFTF	23	104-7050	1	Tube-Manual
4	3234-38	8	Screw-HHF	24	2412-133	2	Clamp-R
5	32128-49	12	Nut-HHF	25	32144-70	2	Screw-HWHTF
6	99-3375-03	1	Step	26	3256-23	2	Washer-Plain
7	2412-72	2	Clip-Closed, Insulated	28	2412-108	1	Clamp-Worm
8	95-8615	1	Tube-Breather	29	121-3607	1	Decal-Service
9	32128-33	6	Nut-HF	32	99-3503	1	Indicator-Angle
10	32144-10	10	Screw-HWH	33	104-7048	1	Cap-Housing
11	3229-11	2	Screw-CARR	34	119-2034	1	Hinge-Toolbox
12	3234-13	4	Screw-HHF	35	119-6906	4	Screw-HSBH
13	119-2029	1	Toolbox Cover ASM	36	3296-42	4	Nut-Lock, NI
13:1	121-3623	1	Decal-Danger	39	117-2378	1	Holder-Bag
14	99-3430-03	1	Bottom-Toolbox	40	32144-1	2	Screw-Taptite
15	99-3431-03	1	End-Toolbox, RH				



Front Wheel and Brake Assembly

Ref.	Part Number	Qty.	Description	Ref.	Part Number	Qty.	Description
1	110-8785	1	HYD Motor ASM (CCW)	15		2	Wheel Hub / Stud ASM ●
2	340-7	4	Fitting-Straight	15:1	104-0462	1	Hub-Wheel, Spacer
2:1	237-65	1	O-Ring	15:2	10-6830	4	Stud-Type, Drive
2:2	237-80	1	O-Ring	18	26-3790	2	Nut-Lock
3	110-8786	1	HYD Motor ASM (CW)	19		2	Tire And Rim ASM ●
4	322-9	2	Screw-HH	19:1	121-3548	1	Rim
5	3256-23	4	Washer-Plain	19:2	117-5125	1	Tire
6	3296-29	2	Nut-Lock, NI	19:3	232-27	1	Stem-Valve
7	56-7971	4	Clamp-Tube	20	242-50	8	Nut-Lug
8	95-8783	1	Tube ASM	21	321-5	8	Screw-HH
8:1	237-65	1	O-Ring	22	3296-42	8	Nut-Lock, NI
9	353-990	1	Plug ASM	23	104-7705	2	Brake ASM
9:1	237-78	1	O-Ring	24	104-0485-03	2	Shield-Wheel
11	95-8784	1	Tube ASM	25	119-8238	8	Spacer-Deck Pulley
11:1	237-65	1	O-Ring	26	114-2726	2	Lever-Brake
12	3274-99	8	Screw-HSH	28	283-1	2	Pin-Clevis
13	84-2000-03	2	Bracket-Brake	30	115-6672	2	Brake Lever ASM
14	3296-23	8	Nut-Lock, NI	30:1	104-4627	1	Rod-Adjusting

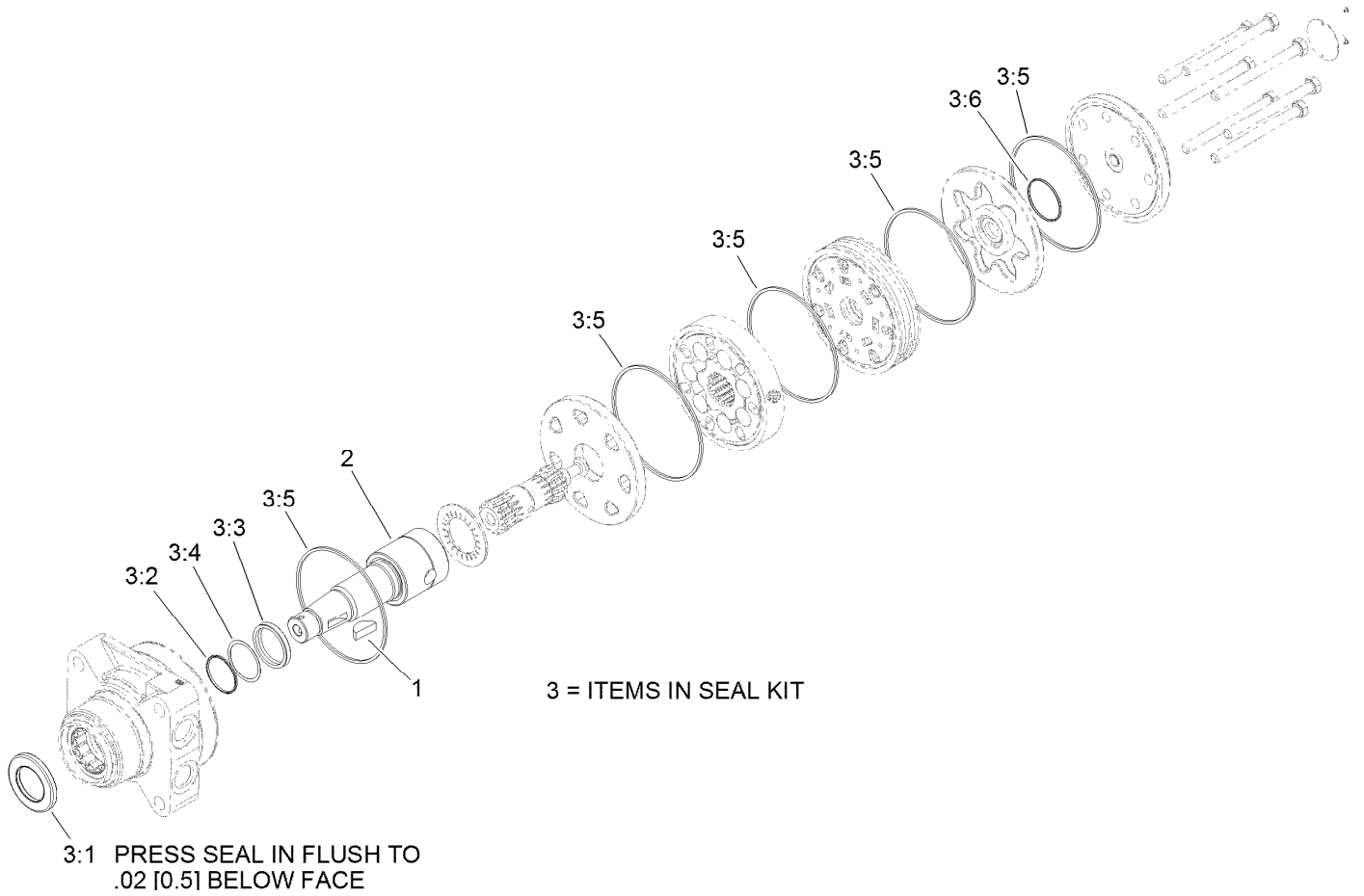
● Not serviced separately



Front Wheel and Brake Assembly (continued)

Ref.	Part Number	Qty.	Description	Ref.	Part Number	Qty.	Description
30:2	1-303105	1	Yoke-Adjustable	37	256-156	2	Bushing-Flange
30:3	3220-2	1	Nut-Jam	38	104-7706	2	E-Ring, Bowed
31	3272-6	2	Pin-Cotter	39	3274-105	8	Screw-HSBH
33	104-4625-03	1	Shaft-Pivot, Brake	40	104-4809	2	Drum-Brake
34	95-8683	2	Bracket-Pivot, Brake	41	3272-10	2	Pin-Cotter
35	3234-11	4	Screw-HHF	42	119-1419	4	Plate-Clamp
36	32128-43	4	Nut-Flange				

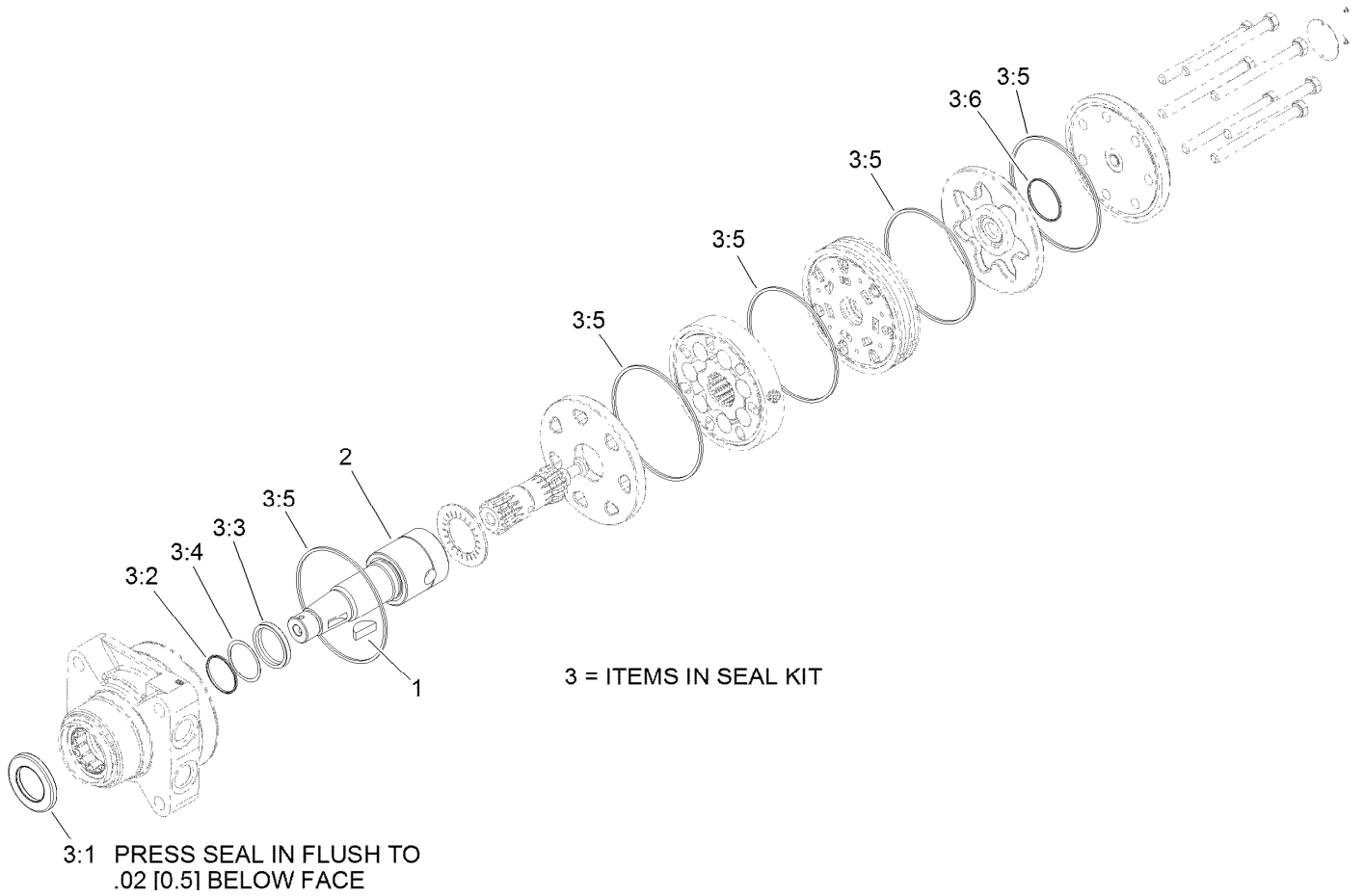
● Not serviced separately



Hydraulic Motor Assembly No. 110-8785

Ref.	Part Number	Qty.	Description
1	3257-42	1	Key-Woodruff
2	99-3090	1	Shaft-Coupling
3	94-8178	1	Seal Kit
3:1		1	Seal-Dirt And Water ●
3:2		1	Backup-Ring ●
3:3		1	Seal-Shaft ●
3:4		1	Washer-Backup ●
3:5		5	Seal-Square, Ring (Inner) ●
3:6		1	Seal-Commutator ●

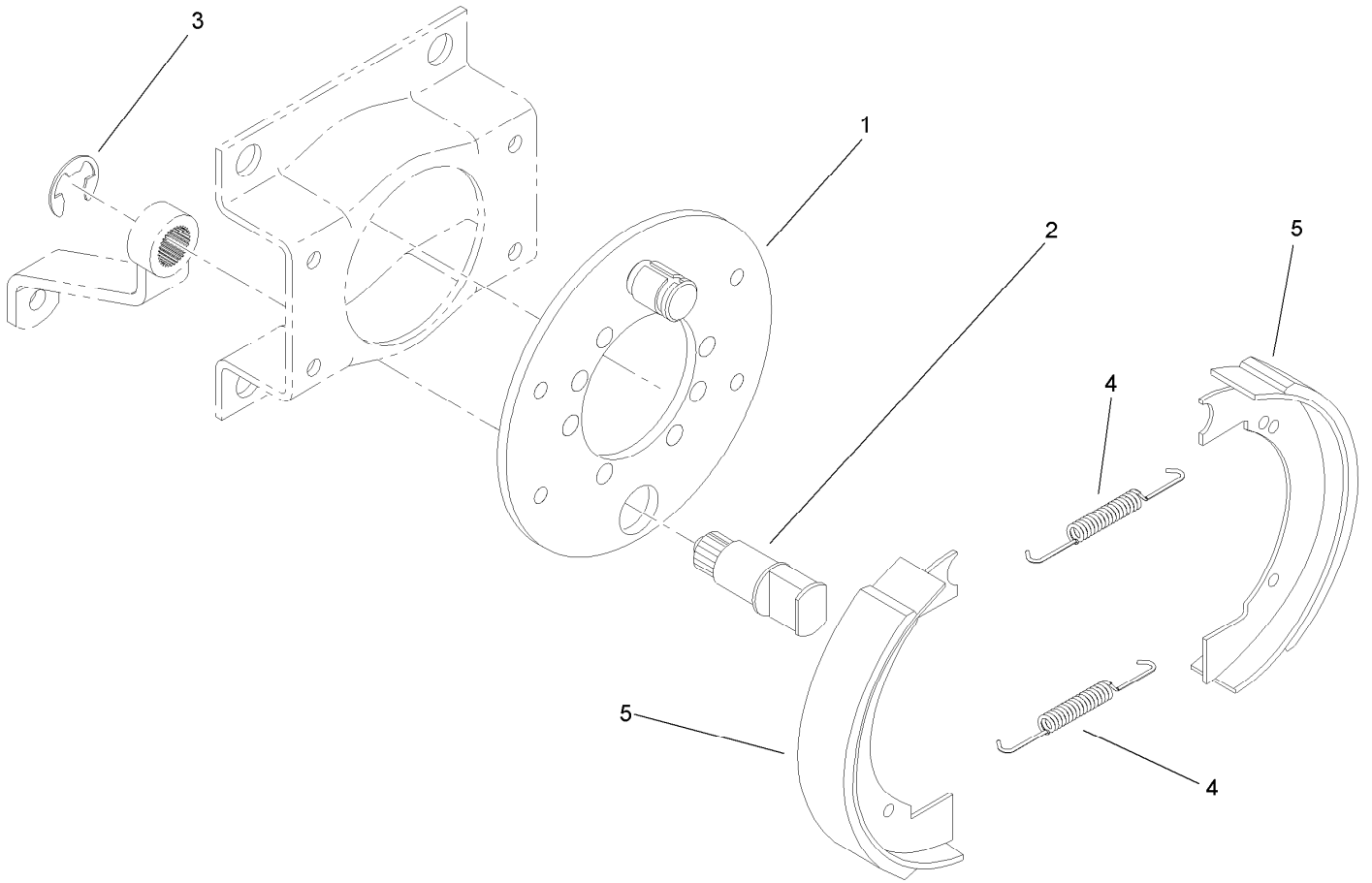
● Not serviced separately



Hydraulic Motor Assembly No. 110-8786

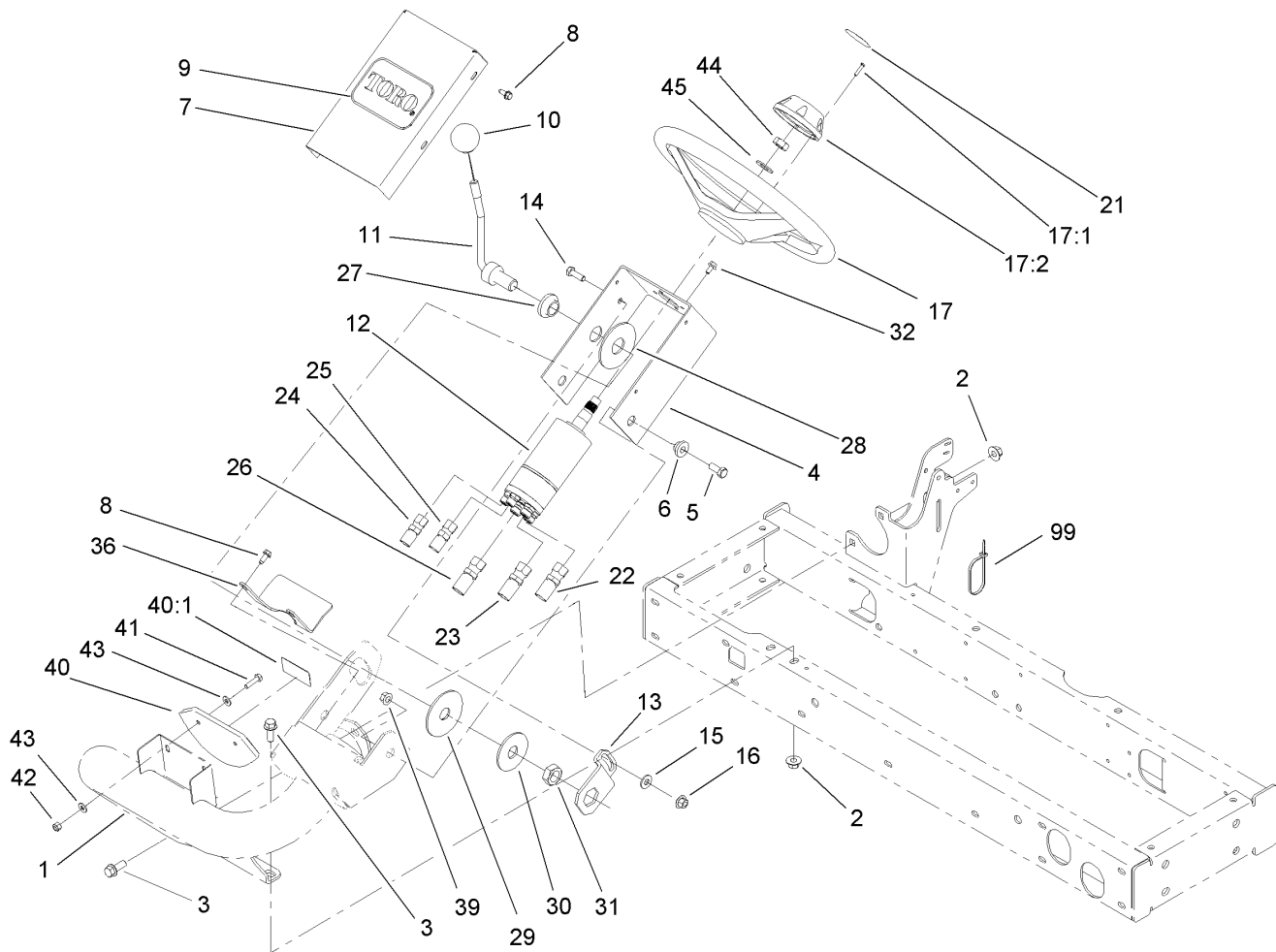
Ref.	Part Number	Qty.	Description
1	3257-42	1	Key-Woodruff
2	99-3090	1	Shaft-Coupling
3	94-8178	1	Seal Kit
3:1		1	Seal-Dirt And Water ●
3:2		1	Backup-Ring ●
3:3		1	Seal-Shaft ●
3:4		1	Washer-Backup ●
3:5		5	Seal-Square, Ring (Inner) ●
3:6		1	Seal-Commutator ●

● Not serviced separately



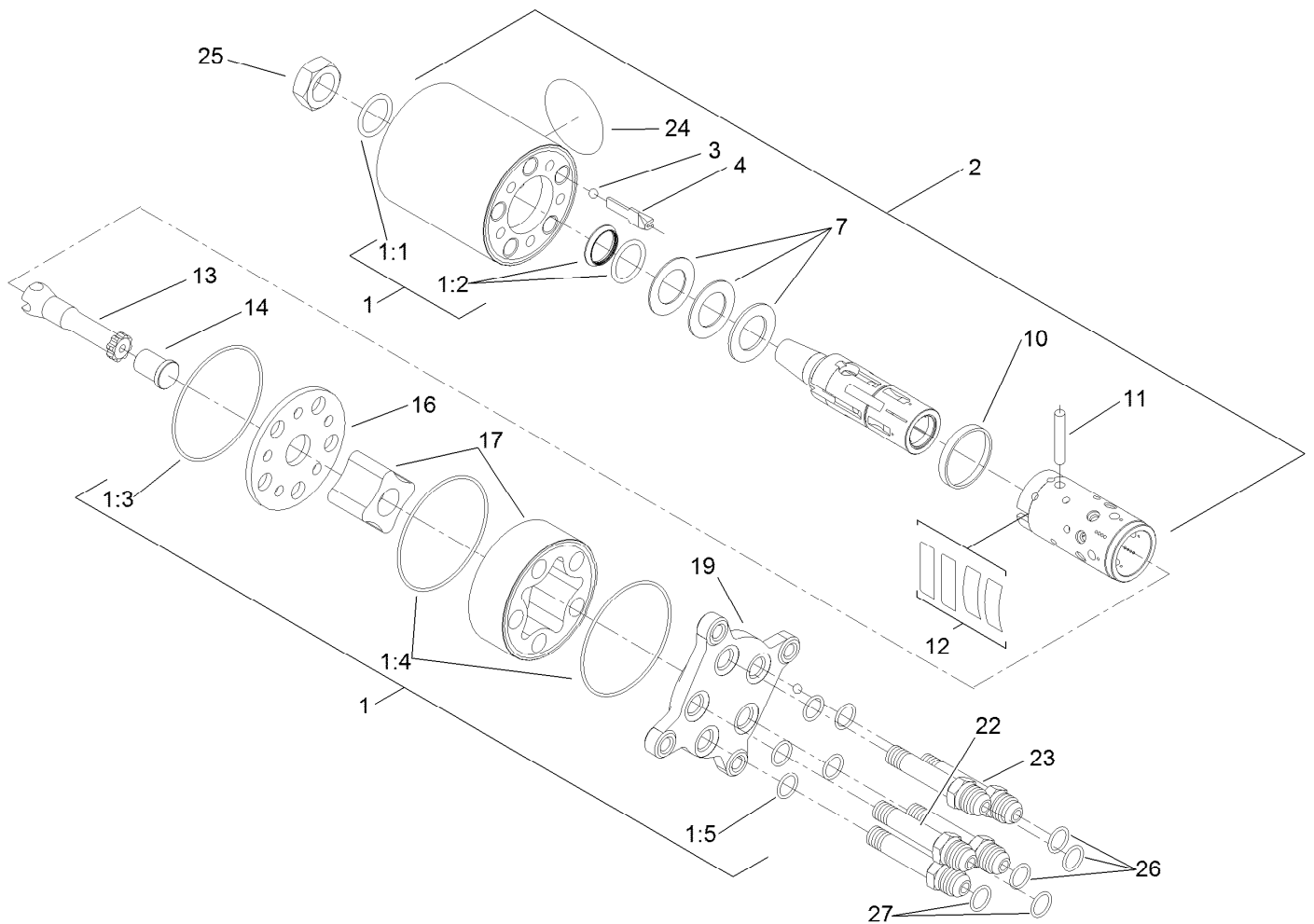
Brake Assembly No. 104-7705

<i>Ref.</i>	<i>Part Number</i>	<i>Qty.</i>	<i>Description</i>
1	70-9870	1	Plate-Backing
2	104-7707	1	Shaft-Cam, Brake
3	104-7706	1	E-Ring, Bowed
4	70-9880	2	Spring-Return
5	70-9840	2	Shoe-Brake



Steering Column Assembly

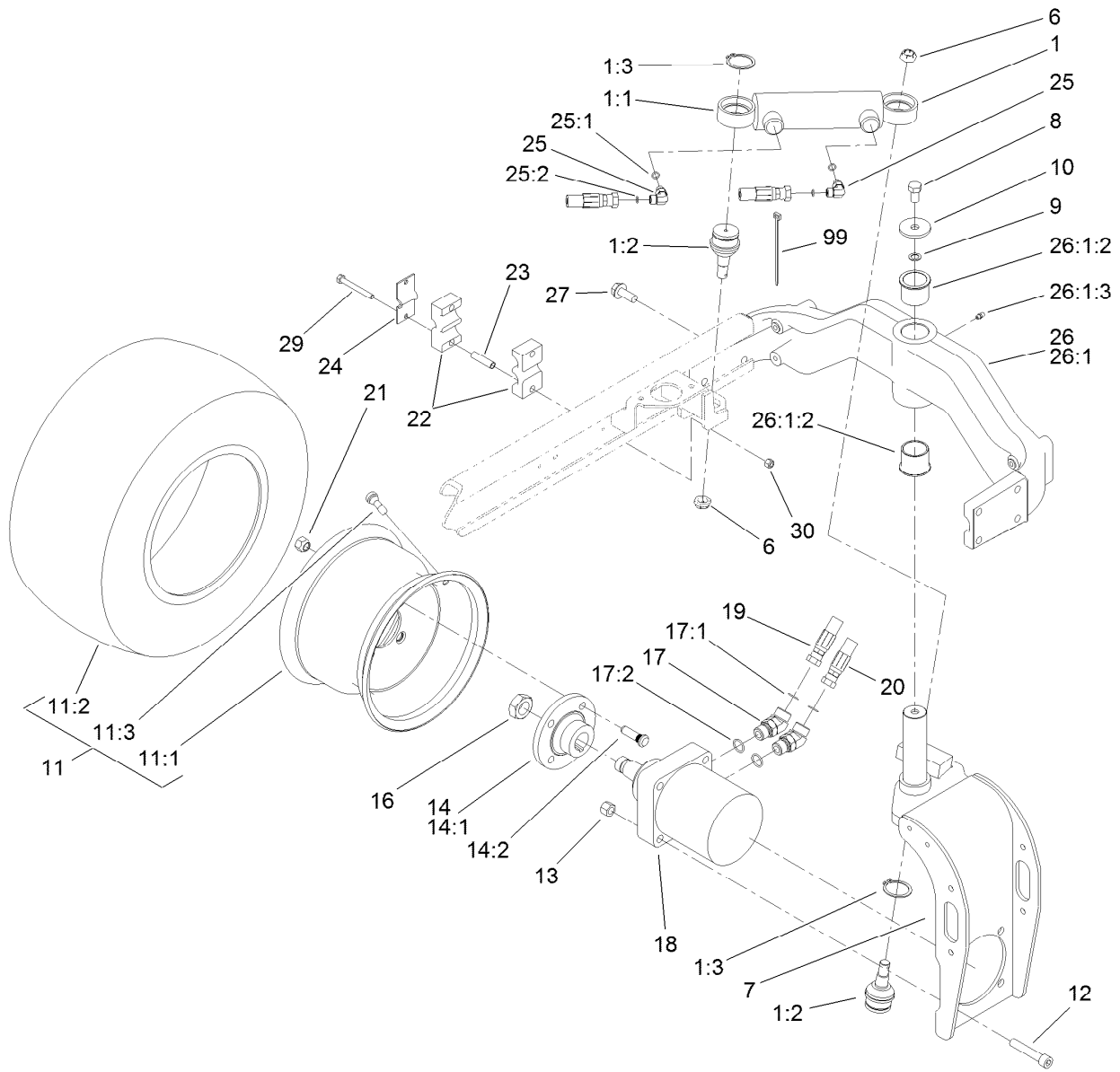
Ref.	Part Number	Qty.	Description	Ref.	Part Number	Qty.	Description
1	105-8536-01	1	Arm-Steering	23	95-8843	1	Hose-HYD
2	32128-43	4	Nut-Flange	24	95-8844	1	Hose ASM
3	3234-11	4	Screw-HHF	25	95-8845	1	Hose ASM
4	104-5185-01	1	Bracket-Valve, Steering	26	95-8846	1	Hose-HYD
5	323-5	2	Screw-HH	27	99-3502	1	Boss
6	93-5988	2	Hub-Pivot	28	31-0390	1	Disc-Friction
7	95-8794-01	1	Cover-Valve, Steering	29	82-9010	1	Disc-Friction
8	32144-10	5	Screw-HWH	30	80-2930	1	Washer-Flat
9	67-1300	1	Decal	31	3218-7	1	Nut-Jam
10	233-48	1	Knob	32	33103-012	4	Screw-HHF
11	95-8798-03	1	Lever-Steering	36	99-3405-01	1	Shield-Steering
12	121-7856	1	Steering Valve ASM	39	32128-21	2	Nut-HF
13	80-2880	1	Bracket-Tilt	40	100-4929	1	Slope Indicator ASM
14	322-5	1	Screw-HH	40:1	121-3598	1	Decal-Danger, 17 Degree
15	3256-3	1	Washer-Flat	40:1	121-3628	1	Decal-Angle
16	32128-44	1	Nut	41	321-7	2	Screw-HH
17	75-0560	1	Steering Wheel ASM	42	3296-42	2	Nut-Lock, NI
17:1	32144-21	1	Screw	43	3256-22	4	Washer-Flat
17:2	68-5140	1	Cap-Wheel, Steering	44	3296-33	1	Nut-Lock, NI
21	68-5370	1	Decal	45	3256-27	1	Washer-Flat
22	95-8842	1	Hose-HYD	99	3290-378	2	Tie-Cable



Steering Valve Assembly No. 121-7856

Ref.	Part Number	Qty.	Description	Ref.	Part Number	Qty.	Description
1	106-6716	1	Seal Kit	12		1	Springs ●
1:1		1	Ring-Seal, Dust ●	13		1	Shaft ●
1:2		1	Seal-Shaft ●	14		1	Spacer ●
1:3		1	O-Ring ●	16		1	Plate-Distributor ●
1:4		2	O-Ring ●	17		1	Gearwheel Set ●
1:5		5	O-Ring ●	19		1	Cover-End ●
2		1	Housing ●	22		1	Screw-Special ●
3		1	Ball ●	23		4	Screw-Special ●
4		1	Stop-Ball ●	24		1	Plate-Name ●
7		1	Bearing ASM ●	25	3296-33	1	Nut-Lock, NI
10		1	Ring ●	26	237-22	3	O-Ring
11		1	Pin-Cross ●	27	237-21	2	O-Ring

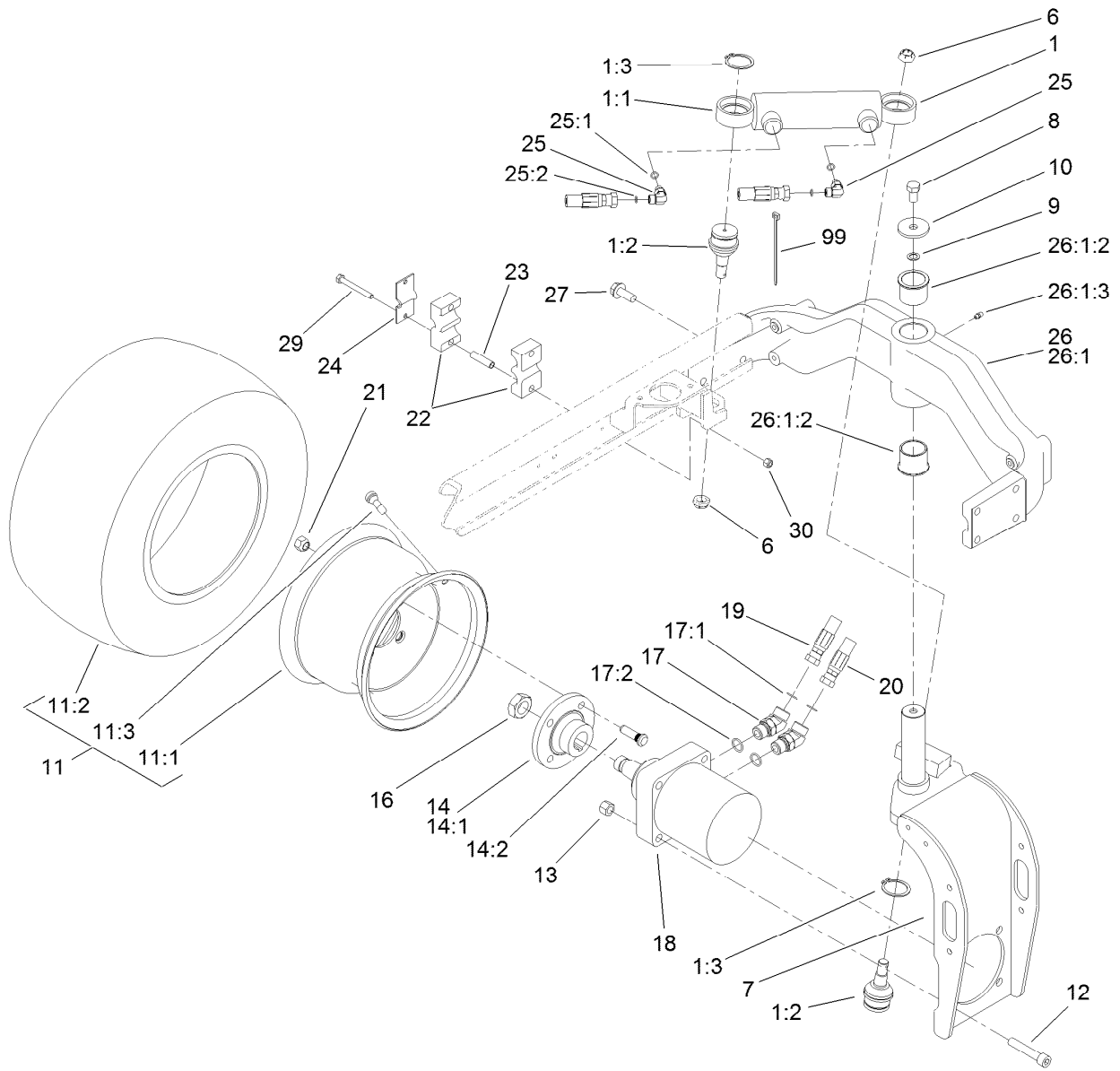
● Not serviced separately



Rear Fork and Tire Assembly

Ref.	Part Number	Qty.	Description	Ref.	Part Number	Qty.	Description
1		1	Steering Cylinder ASM ●	16	26-3790	1	Nut-Lock
1:1	94-8141	1	HYD Cylinder ASM	17	340-14	2	Fitting-HYD, 45 DEG
1:2	121-3605	2	Ball Joint	17:1	237-65	1	O-Ring
1:3	32151-104	2	Ring-Retaining, External	17:2	237-80	1	O-Ring
6	121-3611	2	Nut-Hex, Flextop	18	95-8694	1	HYD Motor ASM
7	95-8905-01	1	Fork-Rear	19	105-1221	1	Hose ASM
8	325-3	1	Screw-HH	20	105-1222	1	Hose ASM
9	3255-2	1	Washer-Lock, EXT	21	242-50	4	Nut-Lug
10	75-7730	1	Washer-Thrust	22	82-8170	2	Clamp
11		1	Wheel And Tire ASM ●	23	93-7960	2	Spacer
11:1	117-5129	1	Rim	24	93-7961	1	Clamp-Drain, Case
11:2	115-1572	1	Tire	25	340-132	2	Fitting-Elbow, 90 DEG
11:3	232-27	1	Stem-Valve	25:1	237-78	1	O-Ring
12	3274-93	4	Screw-HSH	25:2	237-21	1	O-Ring
13	3296-23	4	Nut-Lock, NI	26	107-7828-03	1	Casting-Rear
14		1	Wheel Hub / Stud ASM ●	26:1		1	Rear Casting ASM ●
14:1	10-6870-03	1	Hub-Wheel	26:1:2	95-8805	2	Bushing
14:2	10-6830	4	Stud-Type, Drive	26:1:3	302-5	1	Fitting-Grease

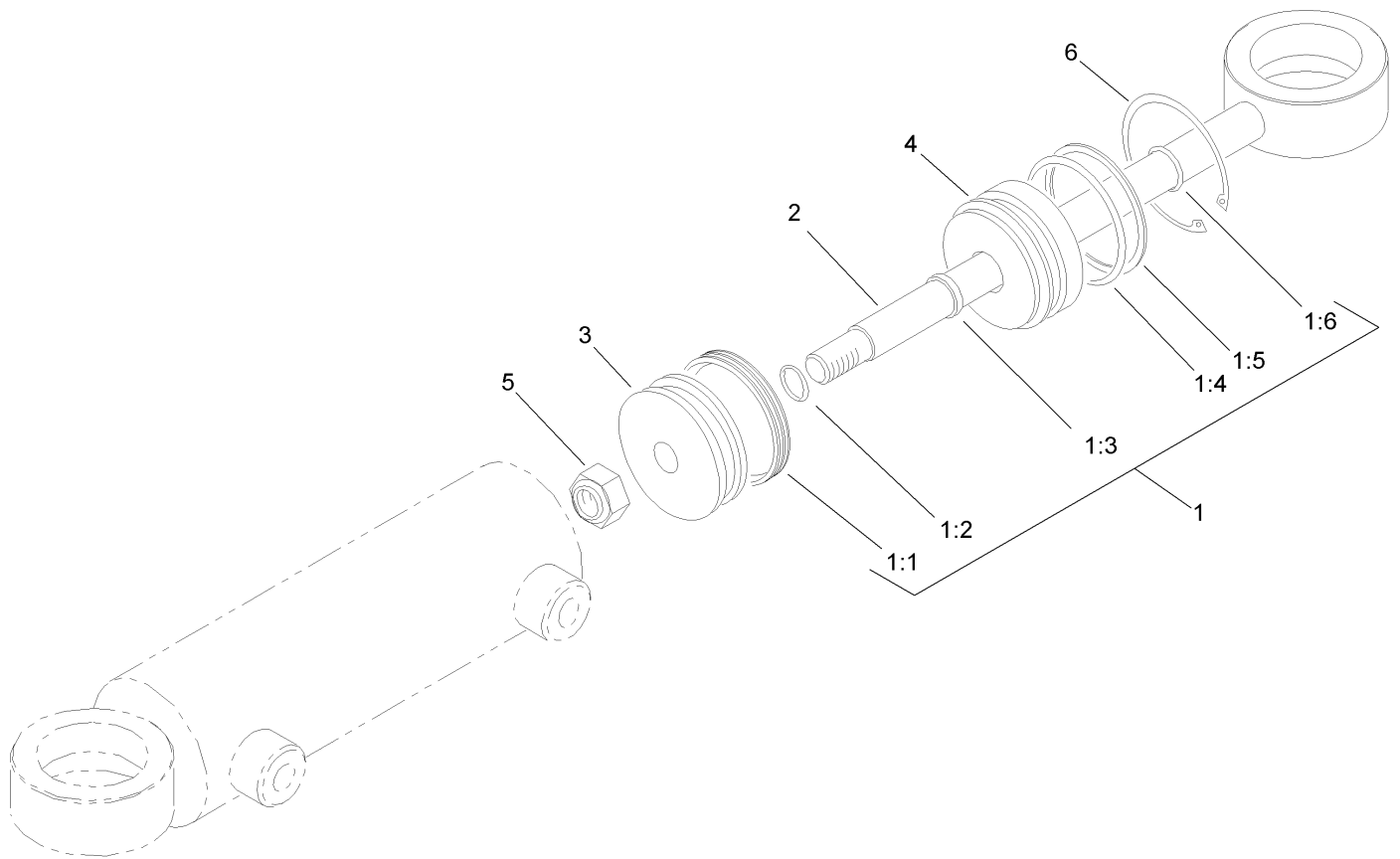
● Not serviced separately



Rear Fork and Tire Assembly (continued)

<i>Ref.</i>	<i>Part Number</i>	<i>Qty.</i>	<i>Description</i>	<i>Ref.</i>	<i>Part Number</i>	<i>Qty.</i>	<i>Description</i>
27	3234-38	8	Screw-HHF	30	3296-29	2	Nut-Lock, NI
29	322-13	2	Screw-HH	99	3290-378	5	Tie-Cable

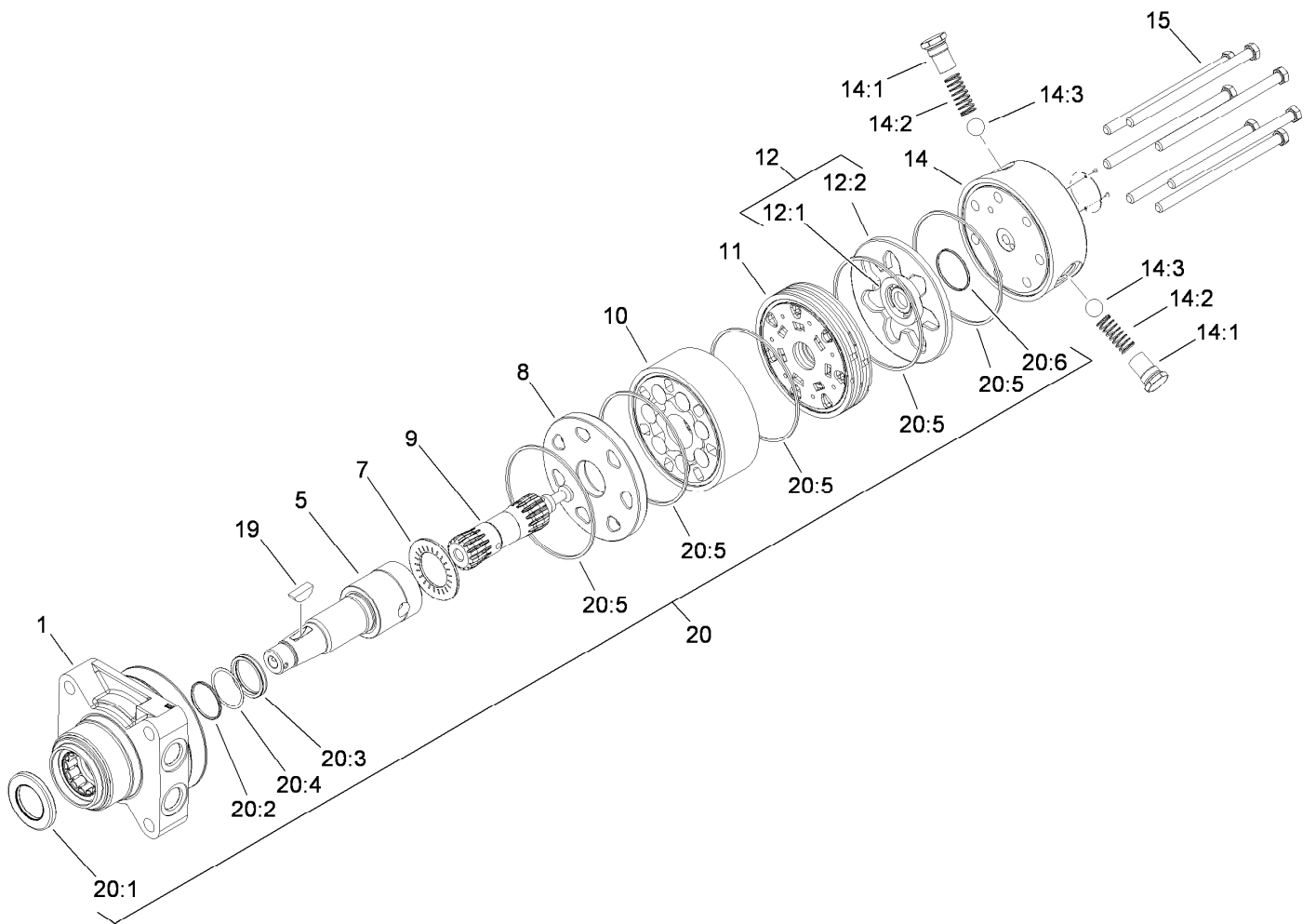
● Not serviced separately



Hydraulic Cylinder Assembly No. 94-8141

<i>Ref.</i>	<i>Part Number</i>	<i>Qty.</i>	<i>Description</i>
1	86-5390	1	Seal Kit
1:1		1	Uniring ●
1:2		1	O-Ring ●
1:3		1	Seal-Rod ●
1:4		1	O-Ring ●
1:5		1	Ring-Backup ●
1:6		1	O-Ring ●
2		1	Rod ●
3		1	Piston ●
4		1	Gland ●
5		1	Nut-Lock ●
6		1	Ring-Retaining ●

● Not serviced separately

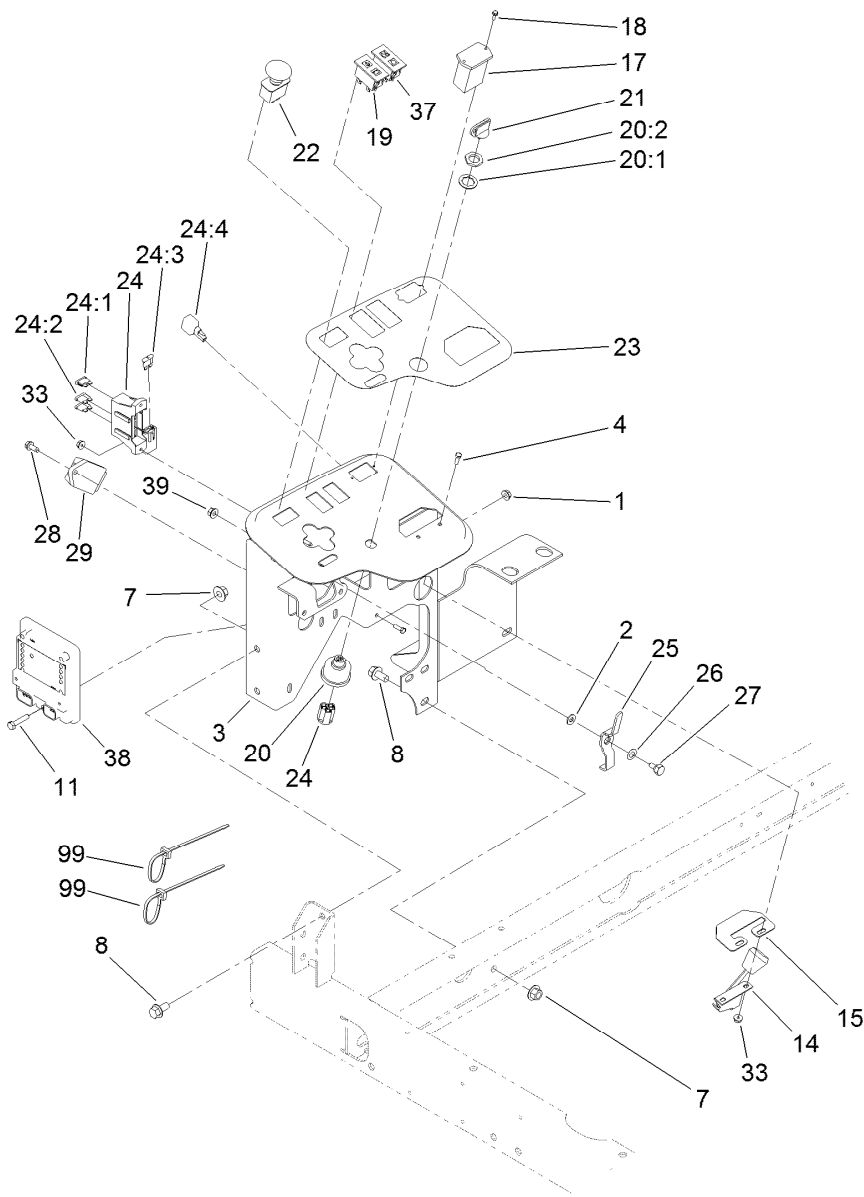


Hydraulic Motor Assembly No. 95-8694

Ref.	Part Number	Qty.	Description
1	76-0810	1	Housing ASM
5	99-3090	1	Shaft-Coupling
7	76-0850	1	Bearing-Thrust
8	76-0870	1	Plate-Wear
9	99-3537	1	Link-Drive
10	99-3539	1	Set-Rotor
11	99-3535	1	Manifold
12	76-0880	1	Commutator ASM
12:1		1	Commutator ●
12:2		1	Ring-Commutator ●
14	99-3538	1	End Cover ASM
14:1		1	Spring Cap And O-Ring ASM ●

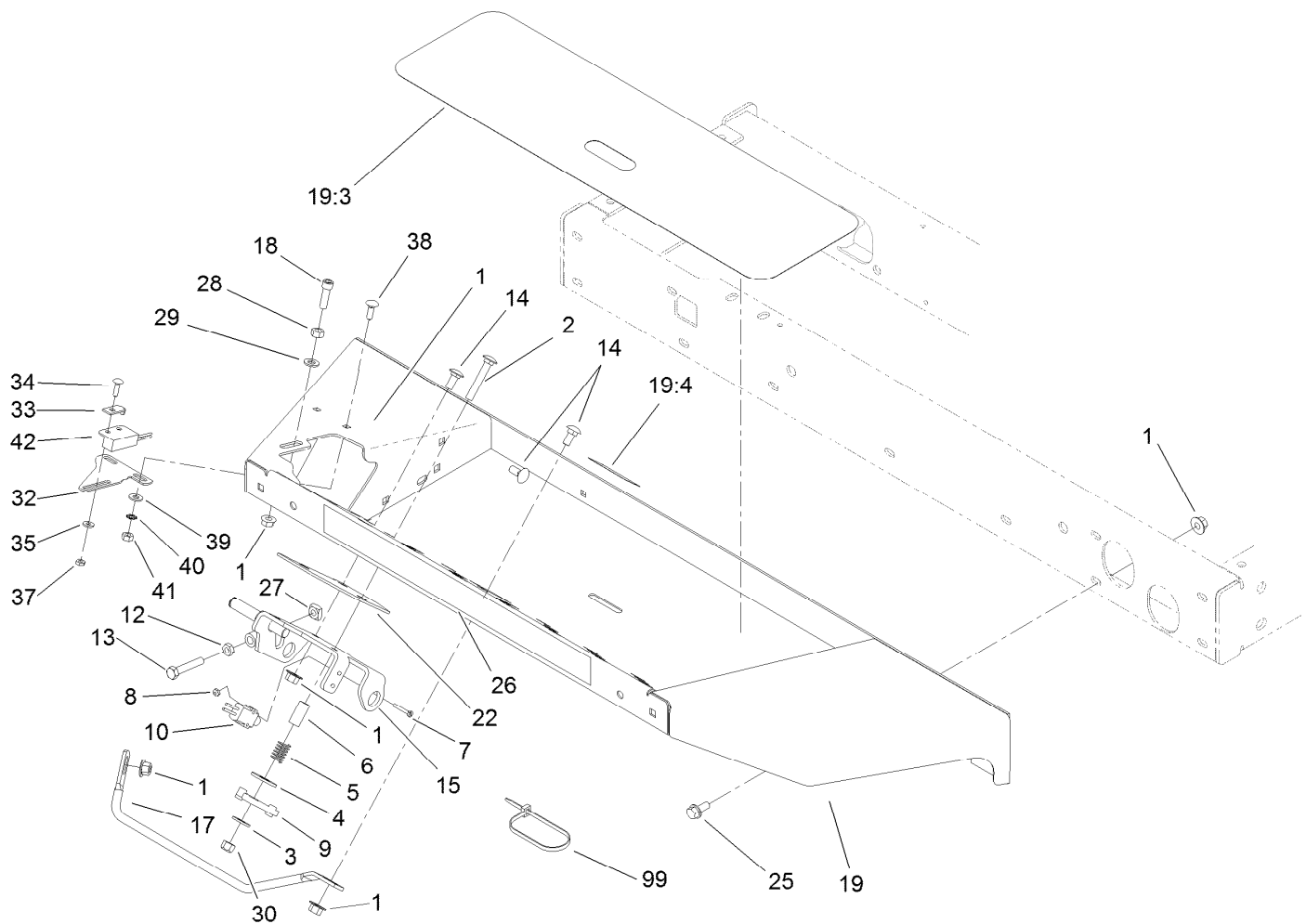
Ref.	Part Number	Qty.	Description
14:2	99-3541	1	Spring
14:3	99-3540	1	Ball
15	99-3536	7	Screw-HH
19	3257-42	1	Key-Woodruff
20	94-8178	1	Seal Kit
20:1		1	Seal-Dirt And Water ●
20:2		1	Backup-Ring ●
20:3		1	Seal-Shaft ●
20:4		1	Washer-Backup ●
20:5		5	Seal-Square, Ring (Inner) ●
20:6		1	Seal-Commutator ●

● Not serviced separately



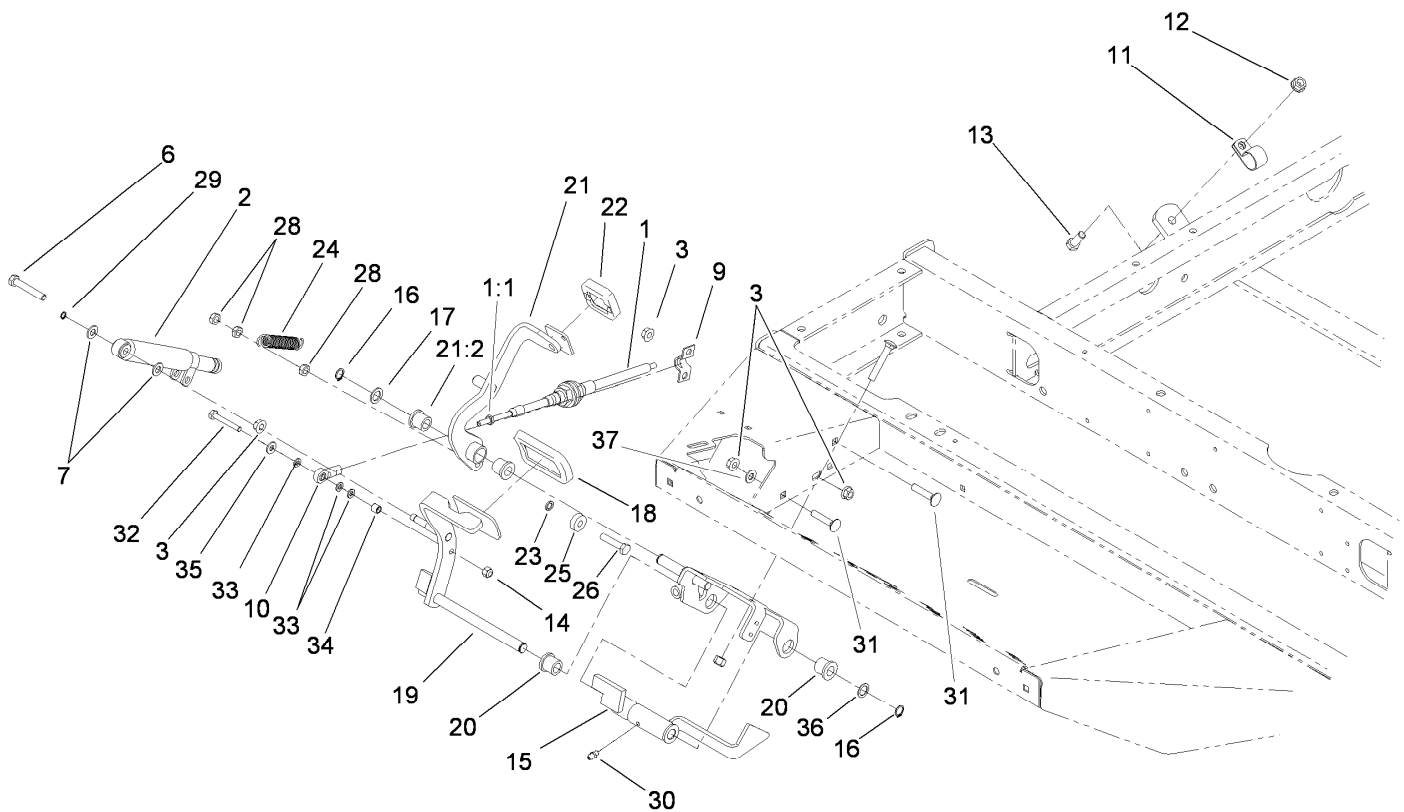
Control Panel Assembly

<i>Ref.</i>	<i>Part Number</i>	<i>Qty.</i>	<i>Description</i>	<i>Ref.</i>	<i>Part Number</i>	<i>Qty.</i>	<i>Description</i>
1	32128-33	3	Nut-HF	23	121-3620	1	Decal-Console
2	3256-22	1	Washer-Flat	24	122-0258	1	Harness-Wire
3	115-3496-03	1	Panel-Control	24:1	218-578	1	Fuse-Blade, 10 Amp
4	3290-134	4	Screw	24:2	109355	1	Fuse-Blade, 15 Amp
7	32128-43	5	Nut-Flange	24:3	94-6710	1	Fuse-2 Amp
8	3234-1	5	Screw-HHF	24:4	100-4918	1	Diode
11	321-8	3	Screw-HH	25	99-3401-03	1	Lever-Valve, Lock
14	110-8795	1	Cable-Throttle	26	3290-477	1	Washer-Curved
15	104-0421	1	Plate-Stop, Throttle	27	63-3410	1	Screw-Shoulder
17	75-6820	1	Hourmeter	28	32144-10	1	Screw-HWH
18	32144-18	2	Screw-HWH	29	98-7611	1	Controller-Glow
19	100-8070	1	Lamp-Warning	33	3290-148	4	Nut-HF
20	104-2541	1	Ignition Switch ASM	37	100-8071	1	Lamp-Warning
20:1	218-461	1	Nut-HH	38	106-9277	1	Module-Control, Standard
20:2	3254-5	1	Washer-Lock	39	32128-32	1	Nut-HHF
21	63-8360	1	Key-Ignition	99	3290-378	3	Tie-Cable
22	93-9999	1	Switch-PTO	99	3290-379	4	Tie-Cable



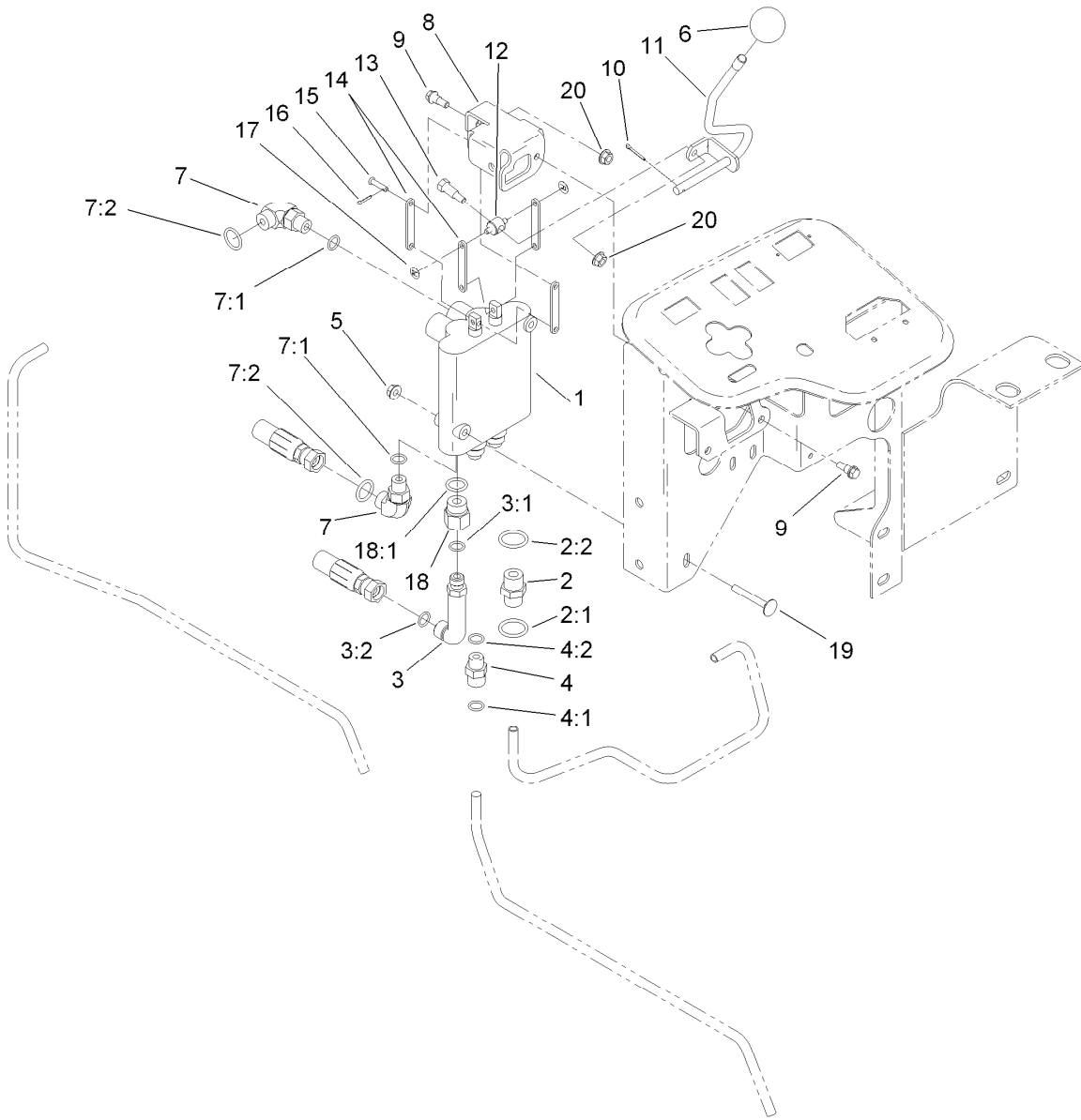
Front Platform Assembly

Ref.	Part Number	Qty.	Description	Ref.	Part Number	Qty.	Description
1	32128-20	18	Nut-HF	22	106-2661-01	1	Plate-Support
2	3230-6	1	Bolt-CARR	25	3234-5	10	Screw-HHF
3	3256-3	1	Washer-Flat	26	99-3388	1	Decal
4	3256-40	1	Washer-Flat	27	99-3565	1	Nut-Square
5	65-9940	1	Spring	28	3217-6	1	Nut-Hex
6	95-8866	1	Tube-Arm, Rocker	29	3256-23	1	Washer-Plain
7	32105-9	2	Screw	30	3296-29	1	Nut-Lock, NI
8	3296-9	2	Nut-Hex	32	100-4871	1	Bracket-Switch, Neutral
9	99-3593	1	Arm-Rocker	33	100-4872	1	Plate-Switch, Neutral
10	95-8900	1	Switch	34	3229-20	1	Screw-CARR
12	3218-2	1	Nut-Jam	35	3256-14	1	Washer-Flat
13	322-41	1	Screw-HH	37	3296-2	1	Nut-Lock, NI
14	3230-23	7	Screw-CARR	38	3229-1	2	Bolt-CARR
15	95-8869-03	1	Bracket-Pedal, Traction	39	3256-22	2	Washer-Flat
17	95-8893	1	Bar-Deflector	40	3255-7	2	Washer-Lock/EXT
18	3274-22	1	Screw-HSH	41	3217-5	2	Nut-Hex
19	106-4154	1	Floorplate ASM	42	100-1270	1	Switch-Proximity
19:3	99-3478	1	Tread-Foot	99	3290-379	2	Tie-Cable
19:4	99-3444	1	Decal-Mow / Transport				



Traction Pedal Assembly

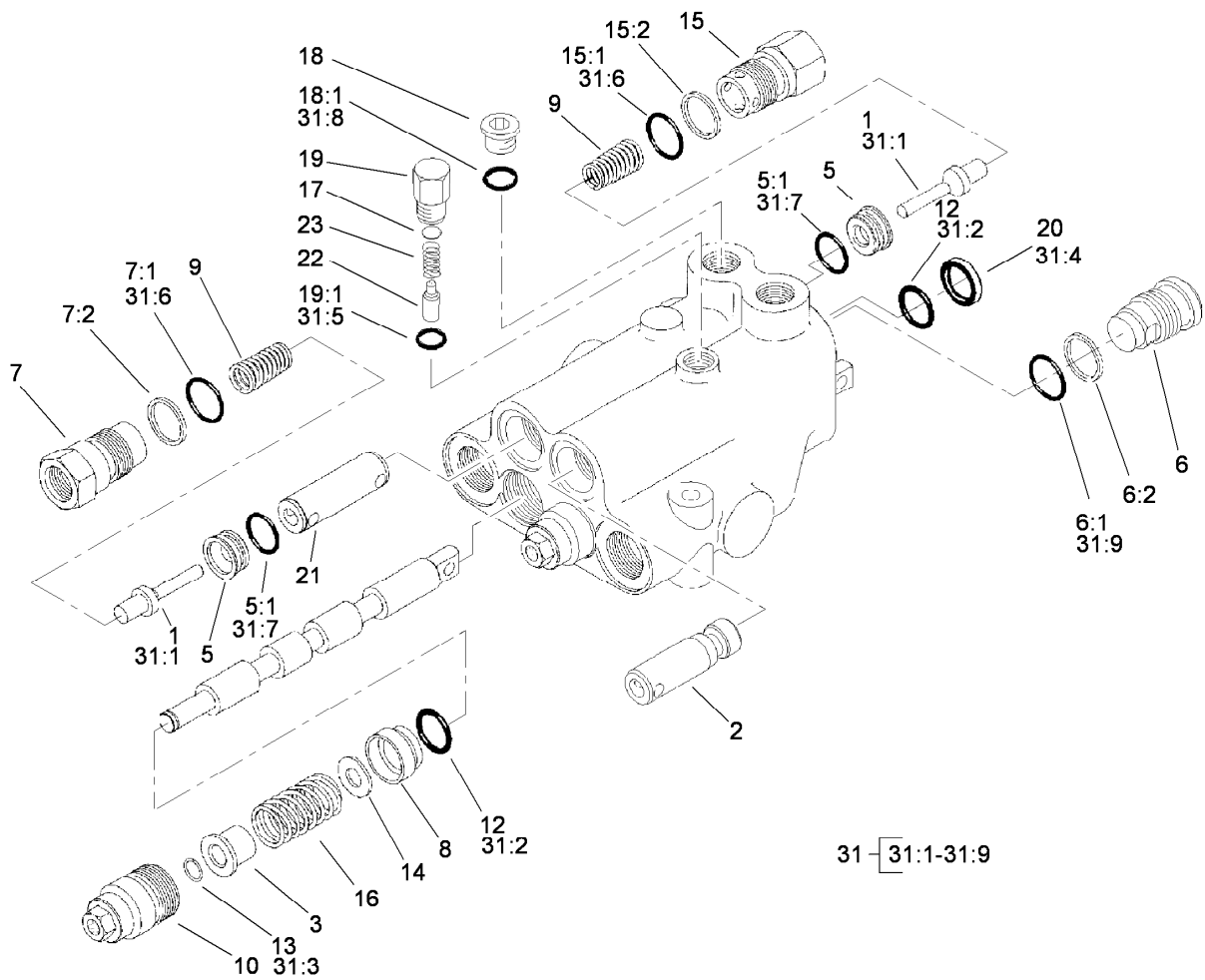
<i>Ref.</i>	<i>Part Number</i>	<i>Qty.</i>	<i>Description</i>	<i>Ref.</i>	<i>Part Number</i>	<i>Qty.</i>	<i>Description</i>
1	100-4815	1	Cable-Control, Traction	21	99-3379	1	Pedal-Reverse
1:1	3220-1	2	Nut-Jam	21:2	256-243	2	Bearing-Flange
2	76-8870	1	Damper-Lever	22	74-9110	1	Pad-Pedal, Reverse
3	32128-20	5	Nut-HF	23	75-5470	1	Spacer-Bearing
6	322-10	1	Screw-HH	24	99-3476	1	Spring-Extension
7	3256-23	2	Washer-Plain	25	251-259	1	Bearing-Ball
9	93-2092	1	Clamp-Cable	26	322-7	1	Screw-HH
10	2411-41	1	Rod End-Ball Joint	28	3296-47	3	Nut-Lock, NI
11	2412-41	1	Clamp-R	29	32151-3	1	Ring-Grip
12	3290-357	1	Nut-HHF, Whiz	30	302-5	1	Fitting-Grease
13	323-6	1	Screw-HH	31	3230-27	1	Screw-CARR
14	3296-42	1	Nut-Lock, NI	32	321-10	1	Screw-HH
15	95-8861	1	Slide	33	33093-00	3	Washer-Flat
16	32151-84	2	Ring-Shaft, EXT	34	99-3545	1	Spacer
17	41-8440	1	Washer	35	3256-22	1	Washer-Flat
18	74-9100	1	Pad-Pedal, Forward	36	73-0040	4	Washer-Thrust
19	104-4852-03	1	Pedal-Traction	37	3256-24	1	Washer-Flat
20	256-243	2	Bearing-Flange				



Control Valve Installation Assembly

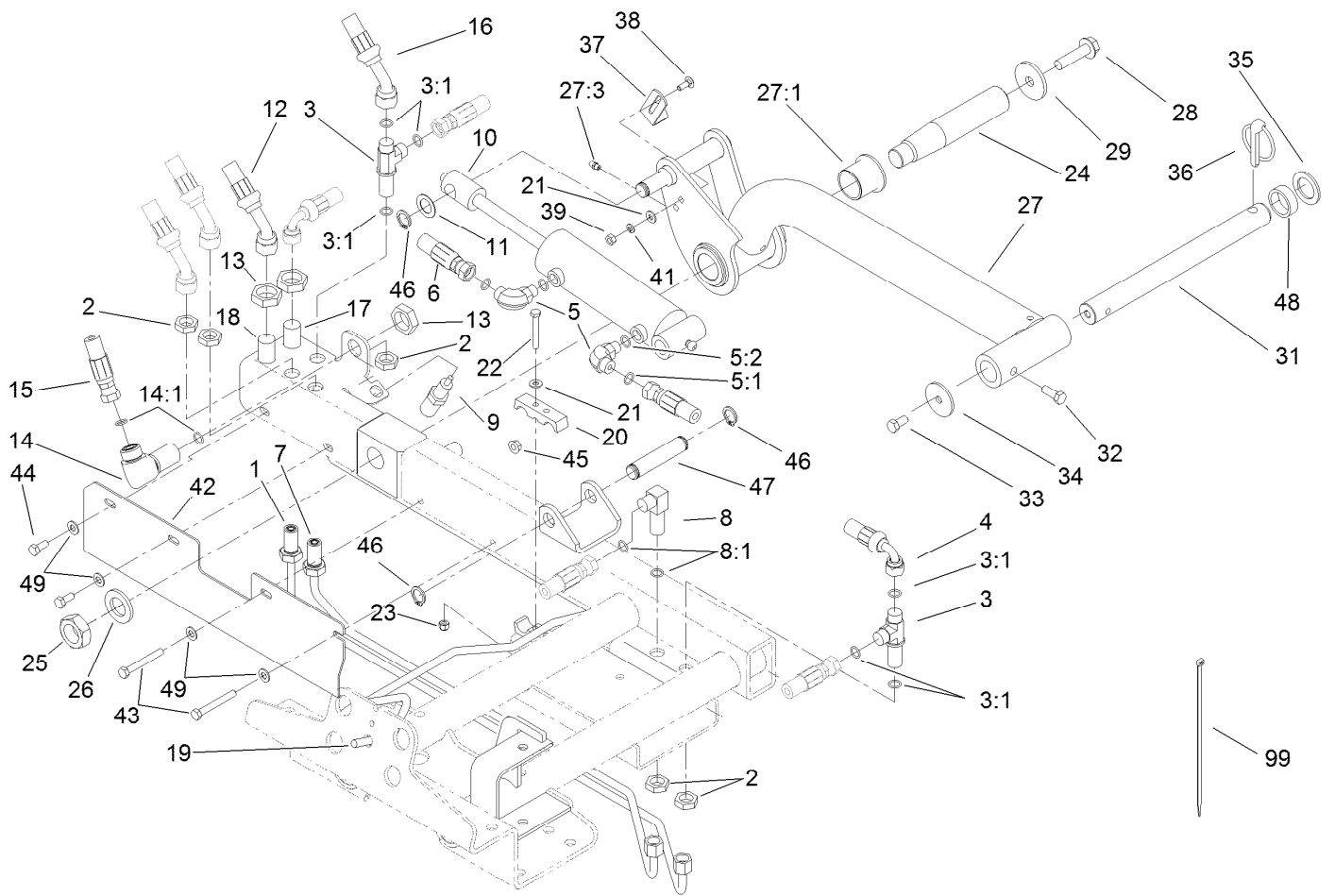
Ref.	Part Number	Qty.	Description
1	95-8581	1	2-Spool Control Valve ASM
2	340-3	1	Fitting-Straight
2:1	237-22	1	O-Ring
2:2	237-79	1	O-Ring
3	69-4320	1	Fitting-HYD, 90 DEG
3:1	237-22	1	O-Ring
3:2	237-42	1	O-Ring
4	340-2	1	Fitting-Straight
4:1	237-22	1	O-Ring
4:2	237-42	1	O-Ring
5	32128-33	2	Nut-HF
6	233-42	1	Knob
7	340-77	2	Fitting-Elbow, 90 DEG
7:1	237-22	1	O-Ring
7:2	237-42	1	O-Ring

Ref.	Part Number	Qty.	Description
8	95-8633	1	Bracket-Valve, Actuator
9	42-3560	2	Bolt-Shoulder
10	3272-6	1	Pin-Cotter
11	95-8635	1	Lever-Valve
12	95-8638	1	Trunnion-Valve, Actuator
13	92-8916	1	Bolt-Shoulder
14	95-8634	4	Link
15	283-16	3	Pin-Clevis
16	3272-1	3	Pin-Cotter
17	32151-106	2	Ring-Retaining
18	353-397	1	Reducer-Adapter
18:1	237-79	1	O-Ring
19	3230-33	2	Screw-CARR
20	32128-32	3	Nut-HHF



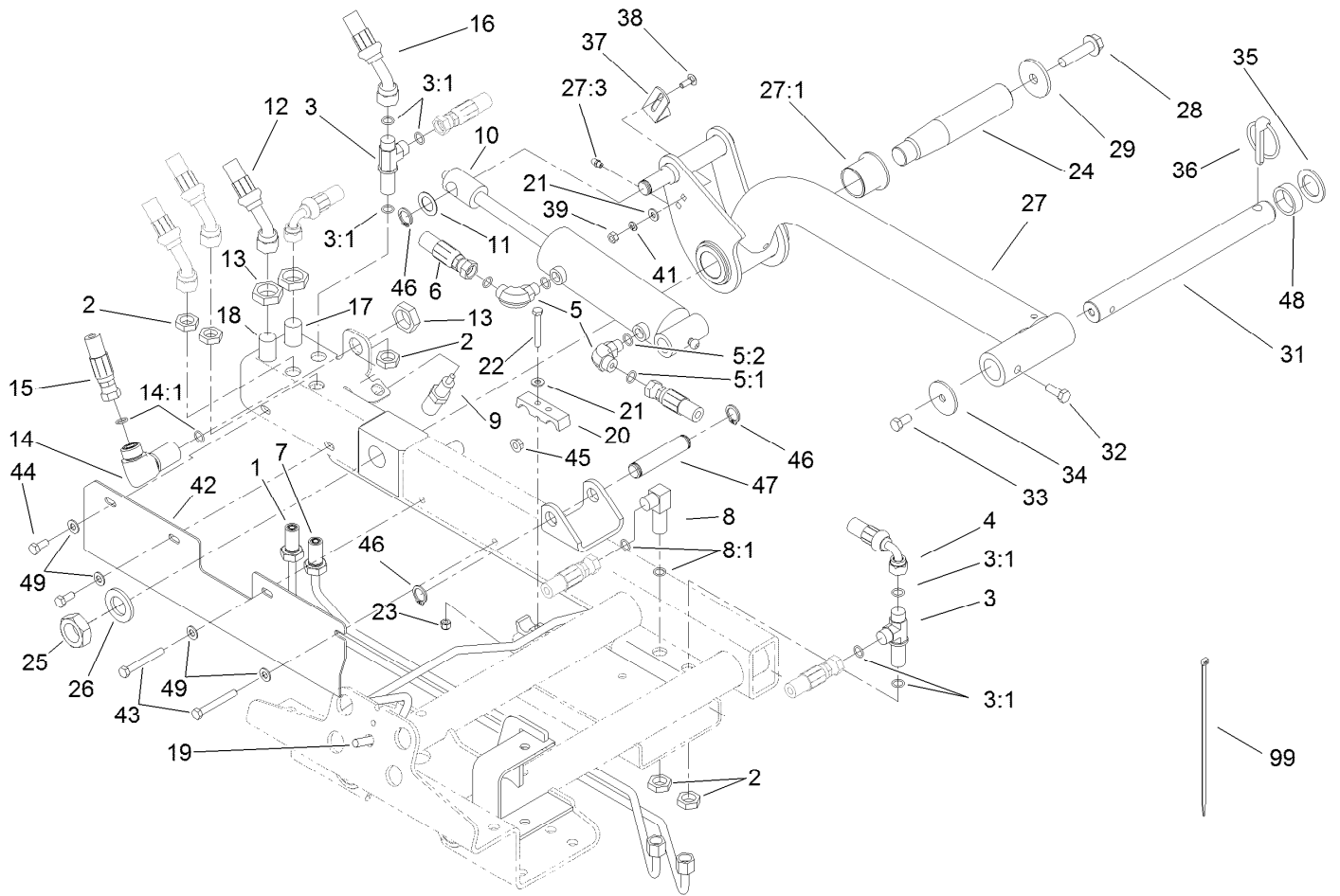
Valve Assembly No. 95-8581

Ref.	Part Number	Qty.	Description	Ref.	Part Number	Qty.	Description
1	58-6290	3	Poppet	16	99-3531	2	Spring
2	69-1840	1	Plunger	17	60-6450	1	Disc
3	58-6310	2	Spacer	18	353-989	1	Plug-Hex, Hollow
5	58-6330	3	Seat	18:1	237-42	1	O-Ring
5:1	58-6340	1	O-Ring	19	58-6780	1	Plug
6	58-6350	1	Plug	19:1	58-6790	1	O-Ring
6:1	60-5720	1	O-Ring	20	58-6320	2	Wiper
6:2	58-6370	1	Washer	21	99-3528	1	Plunger
7	69-1800	2	Plug ASM	22	58-6770	1	Plunger
7:1	60-5720	1	O-Ring	23	58-6760	1	Spring
7:2	58-6370	1	Washer	31	99-3530	1	Seal Kit
8	58-6400	2	Bushing	31:1	58-6290	3	Poppet
9	69-1810	3	Spring	31:2	58-6450	4	O-Ring
10	58-6420	2	Cap	31:3	58-6460	2	Ring-Retaining
12	58-6450	4	O-Ring	31:4	58-6320	2	Wiper
13	58-6460	2	Ring-Retaining	31:5	58-6790	1	O-Ring
14	65-2770	2	Washer	31:6	60-5720	4	O-Ring
15	99-3526	1	Plug ASM	31:7	58-6340	2	O-Ring
15:1	60-5720	1	O-Ring	31:8	237-42	1	O-Ring
15:2	59-7730	1	Washer-Backup	31:9	59-7730	2	Washer-Backup



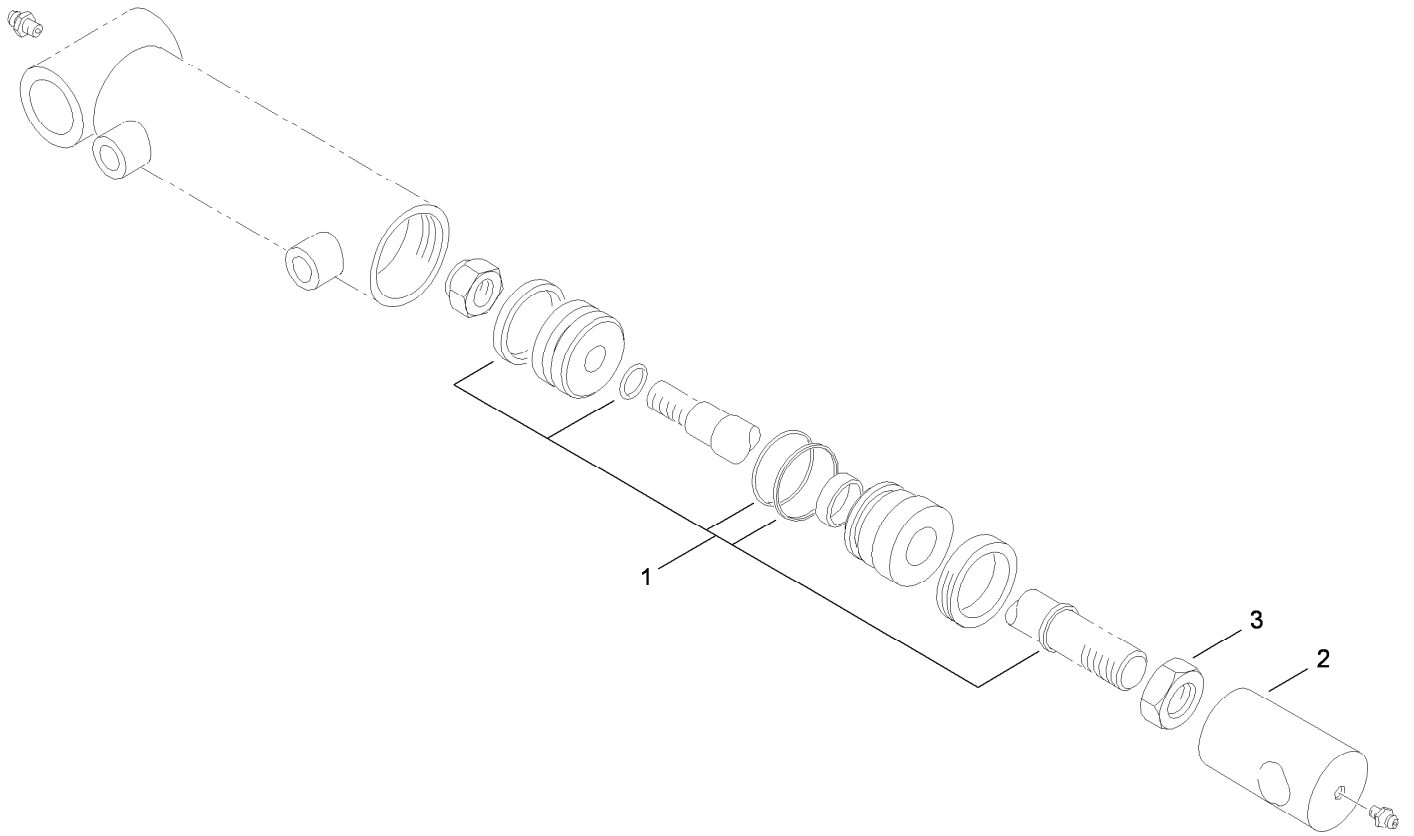
Rear Lift Arm Assembly

Ref.	Part Number	Qty.	Description	Ref.	Part Number	Qty.	Description
1	95-8984	1	Tube-HYD	17	95-8980	1	Tube ASM
2	340-70	5	Nut-Lock	18	95-8981	1	Tube ASM
3	340-68	2	Fitting-Tee, Bulkhead	19	95-8982	1	Tube ASM
3:1	237-22	3	O-Ring	20	93-2509	2	Clamp-Tube
4	95-8831	1	Hose-HYD	21	3256-22	6	Washer-Flat
5	340-77	2	Fitting-Elbow, 90 DEG	22	321-11	2	Screw-HH
5:1	237-22	1	O-Ring	23	3296-42	2	Nut-Lock, NI
5:2	237-42	1	O-Ring	24	95-8990	1	Shaft-Pivot, Rear
6	95-8823	1	Hose ASM	25	3220-9	1	Nut-Jam
7	95-8983	1	Tube-HYD	26	86-1480	1	Washer
8	340-154	1	Union-Bulkhead	27	115-3475	1	Rear Liftarm ASM
8:1	237-22	2	O-Ring	27:1	69-6470	2	Bushing-Castor
9	93-6762	1	Switch-Ball	27:3	302-5	1	Fitting-Grease
10	112-9916	1	HYD Cylinder ASM	28	3234-27	1	Screw-HHF
11	3-6498	1	Washer-Thrust	29	75-7730	1	Washer-Thrust
12	95-8820	1	Hose ASM	31	104-1392	1	Shaft-Pivot
13	340-127	3	Nut-Bulkhead	32	323-6	1	Screw-HH
14	93-9151	1	Fitting-HYD	33	323-4	1	Screw-HH
14:1	237-30	2	O-Ring	34	63-7400	1	Washer-Rebound
15	95-8824	1	Hose ASM	35	3-6781	1	Washer-Thrust
16	115-3411	1	Hose-HYD	36	283-71	1	Pin-Lynch



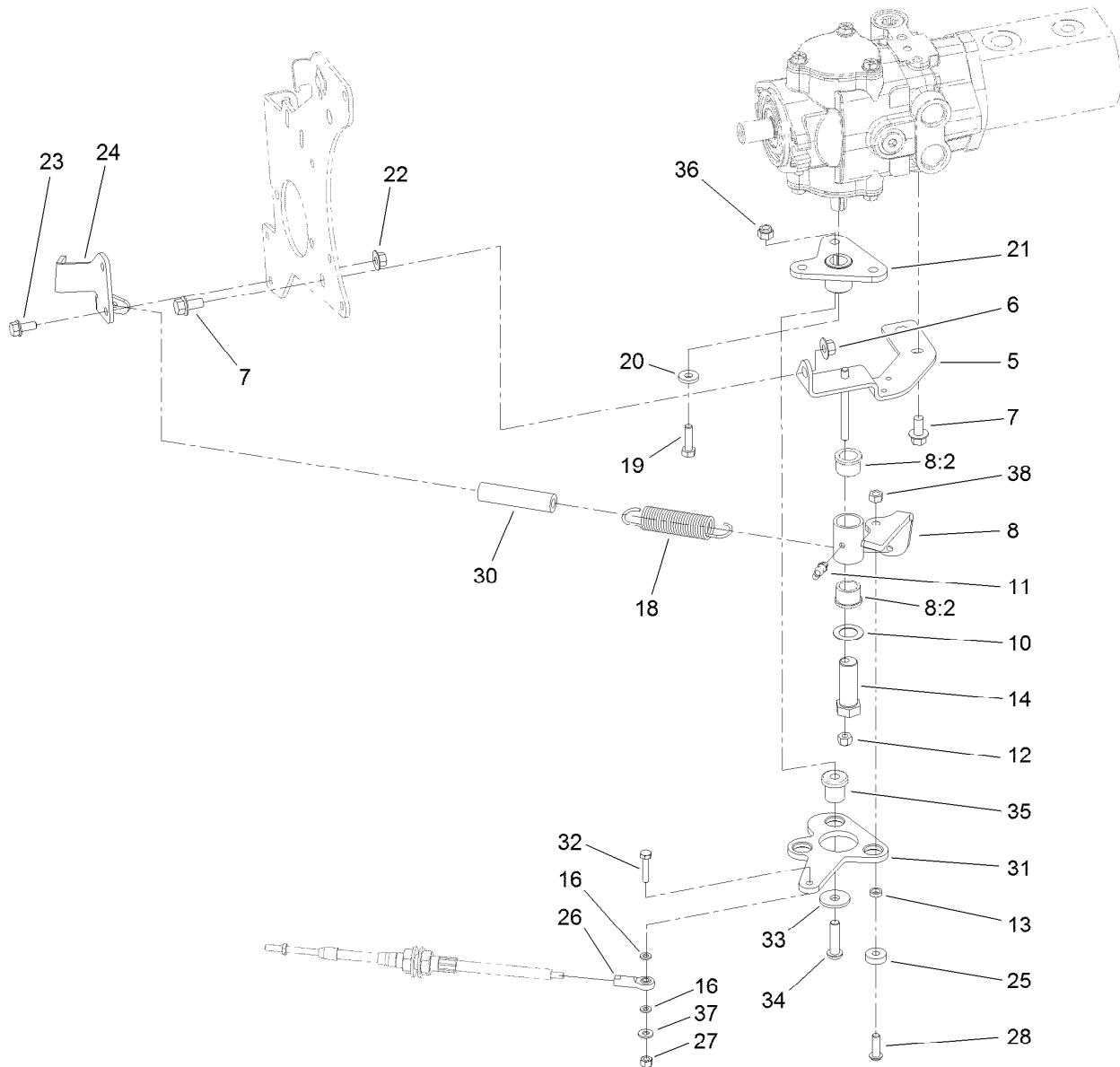
Rear Lift Arm Assembly (continued)

<i>Ref.</i>	<i>Part Number</i>	<i>Qty.</i>	<i>Description</i>	<i>Ref.</i>	<i>Part Number</i>	<i>Qty.</i>	<i>Description</i>
37	95-8613	1	Bracket-Switch	45	32128-20	4	Nut-HF
38	3229-1	2	Bolt-CARR	46	32120-93	3	Ring-Retaining
39	3217-5	2	Nut-Hex	47	95-8575	1	Pin-Clevis
41	3253-3	2	Washer-Lock	48	63-0070	1	Spacer
42	121-3616-03	1	Guard	49	3256-23	4	Washer-Plain
43	322-12	2	Screw-HH	99	3290-379	1	Tie-Cable
44	322-3	2	Screw-HH	99	3334-945	1	Tie-Cable



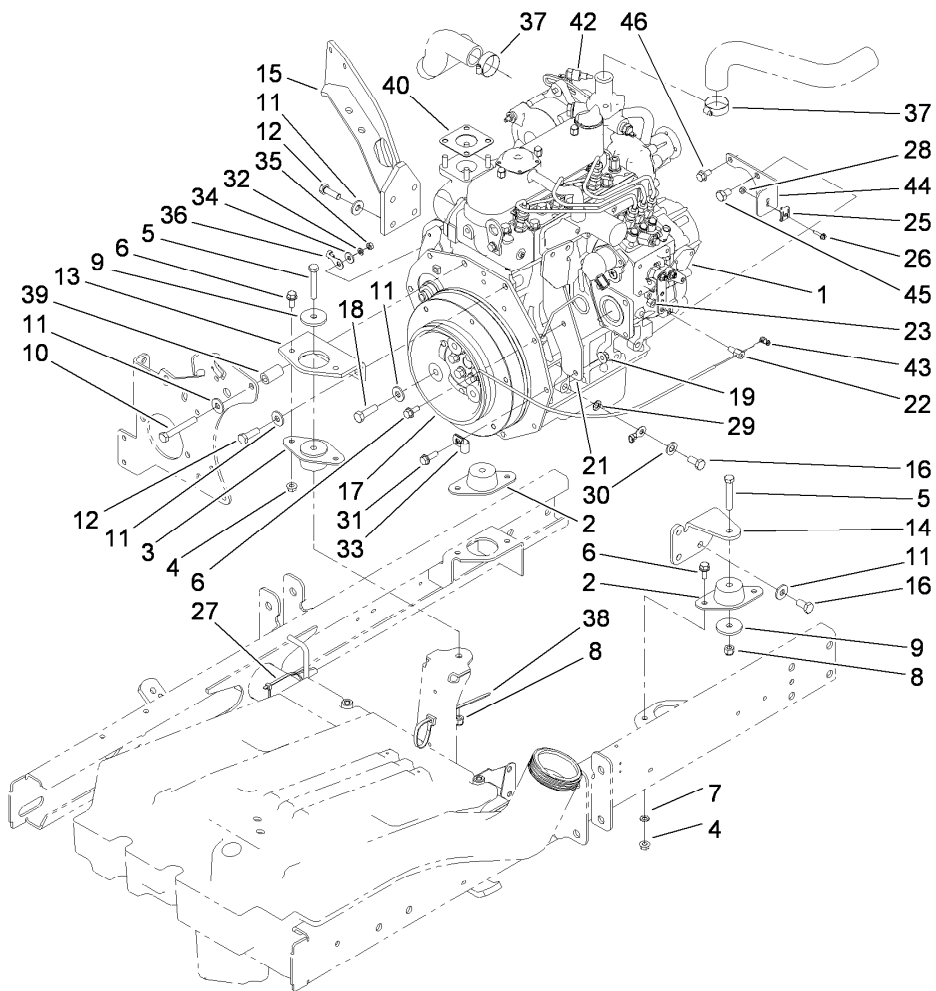
Hydraulic Cylinder Assembly No. 112-9916

<i>Ref.</i>	<i>Part Number</i>	<i>Qty.</i>	<i>Description</i>
1	115-3410	1	Seal Kit
2	108-9035	1	Clevis
3	3220-7	1	Nut-Jam



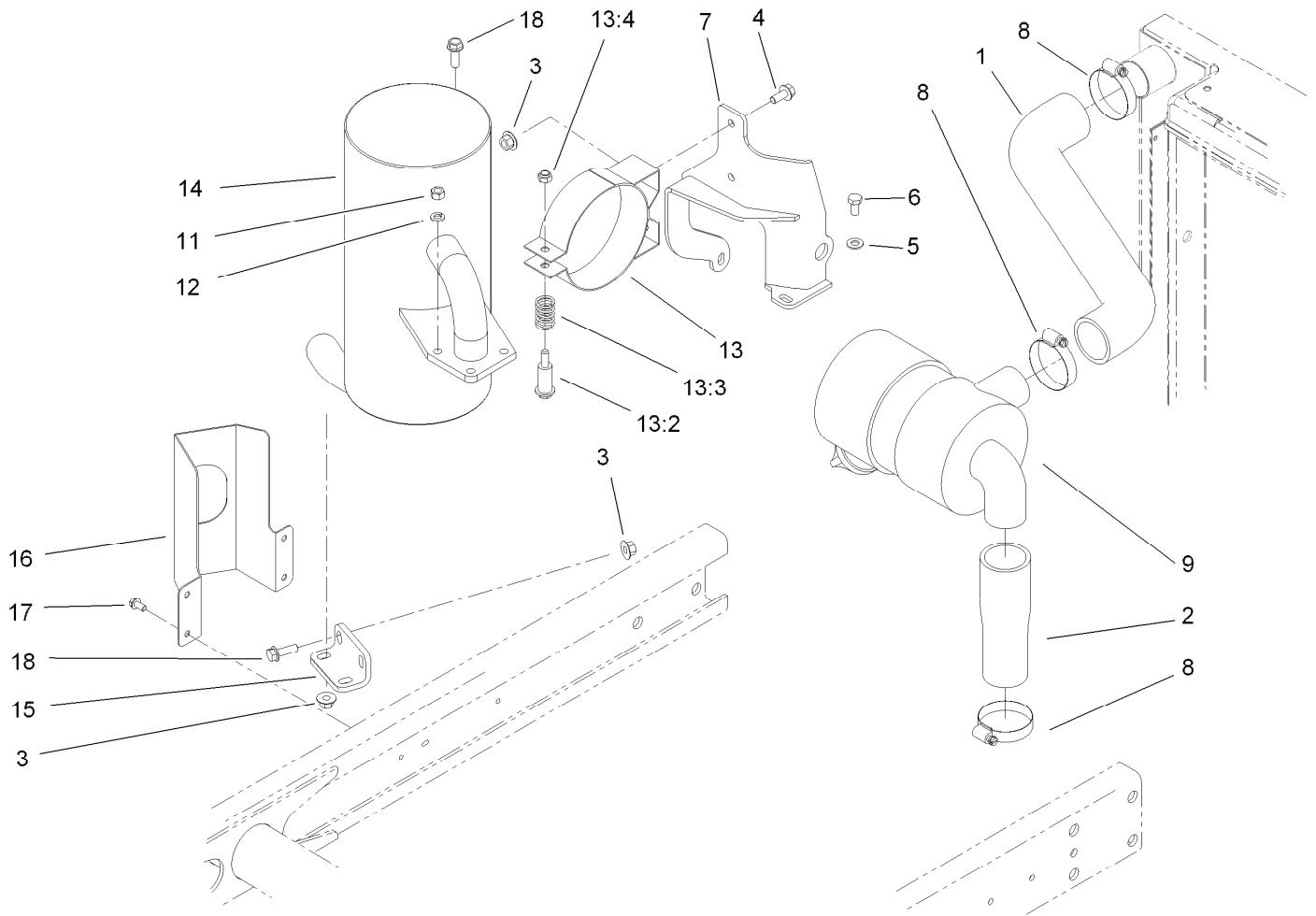
Neutral Arm Assembly

Ref.	Part Number	Qty.	Description	Ref.	Part Number	Qty.	Description
5	95-8960-03	1	Bracket-Neutral	23	3234-5	2	Screw-HHF
6	32128-43	1	Nut-Flange	24	104-0464-03	1	Bracket-Support, Cable
7	3234-1	3	Screw-HHF	25	251-259	1	Bearing-Ball
8	104-0422	1	Neutral Arm ASM	26	2411-41	1	Rod End-Ball Joint
8:2	256-113	2	Bushing-Flange	27	3296-42	1	Nut-Lock, NI
10	3-6498	1	Washer-Thrust	28	3274-104	1	Screw-HSBH
11	302-60	1	Fitting-Grease	30	99-3556	1	Hose
12	3296-29	1	Nut-Lock, NI	31	99-3594-03	1	Lever-Pump
13	100-4817	1	Spacer-Bearing	32	321-8	1	Screw-HH
14	76-8640	1	Stud-Traction	33	2844	3	Washer
16	33093-00	2	Washer-Flat	34	95-3857	3	Screw-HSBH
18	94-1369	1	Spring-Extension	35	63-9750	3	Mount
19	3210-6	1	Screw-HH	36	3296-39	3	Nut-Lock, NI
20	88-7200	1	Washer-Flat	37	3256-22	1	Washer-Flat
21	120-5566	1	Hub	38	32153-3	1	Nut-Hex, Side Deform
22	32128-44	2	Nut				



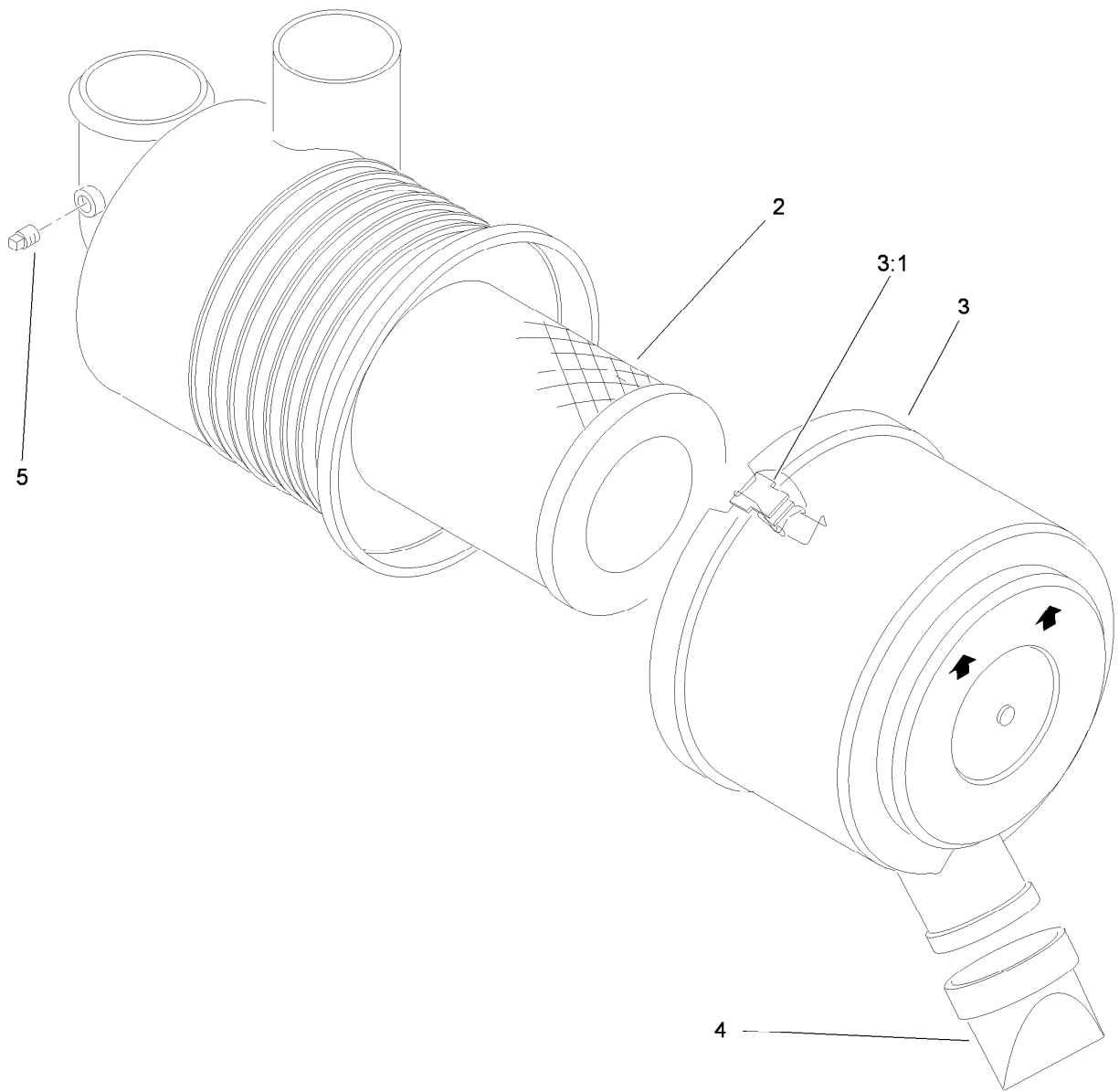
Engine Assembly

<i>Ref.</i>	<i>Part Number</i>	<i>Qty.</i>	<i>Description</i>	<i>Ref.</i>	<i>Part Number</i>	<i>Qty.</i>	<i>Description</i>
1	132-5235	1	Engine-Kubota, D1105	25	81-1690	1	Clamp-Cable
2	121-9076	2	Mount-Engine	26	32105-13	1	Screw-HWH
3	93-5265	1	Mount-Engine	27	3290-379	2	Tie-Cable
4	32128-20	6	Nut-HF	28	3296-2	1	Nut-Lock, NI
5	323-11	3	Screw-HH	29	3255-9	1	Washer-Lock
6	3234-5	7	Screw-HHF	30	3256-25	1	Washer-Flat
7	3255-8	1	Washer-Lock	31	3234-17	1	Screw-HHF
8	3296-39	3	Nut-Lock, NI	32	3256-78	1	Washer-Flat
9	80-8560	3	Washer-Hardened	33	2412-10	1	Clamp-R
10	42-9370	1	Screw-HH	34	43-5930	1	Washer-Lock, Spring
11	80-6990	12	Washer-Hardened	35	48-7890	1	Nut-Hex
12	95-8812	5	Screw-HH	36	99-3441	1	Harness-Wire, Fusible Link
13	95-8926-03	1	Mount-Engine, Front	37	2412-34	2	Clamp-Hose
14	95-8937-03	1	Mount-Engine, LH	38	3290-378	1	Tie-Cable
15	100-4838-03	1	Mount-Engine	39	95-8736	1	Spacer
16	63-7790	4	Screw-Cap	40	98-9611	1	Gasket
17	99-3412-03	1	Pulley	42	99-3582	1	Thermoswitch
18	56-2140	3	Screw-HH	43	112-9919	1	Stop-Cable, Throttle
19	32128-44	2	Nut	44	110-9009-03	1	Bracket-Cable, Throttle
21	115-3487-03	1	Bracket-Mount, Fuel Filter	45	70-8470	1	Screw-HH
22	98-9311	1	Swivel-Throttle	46	33104-016	1	Screw-HHF
23	3296-20	1	Nut-Lock, NI				



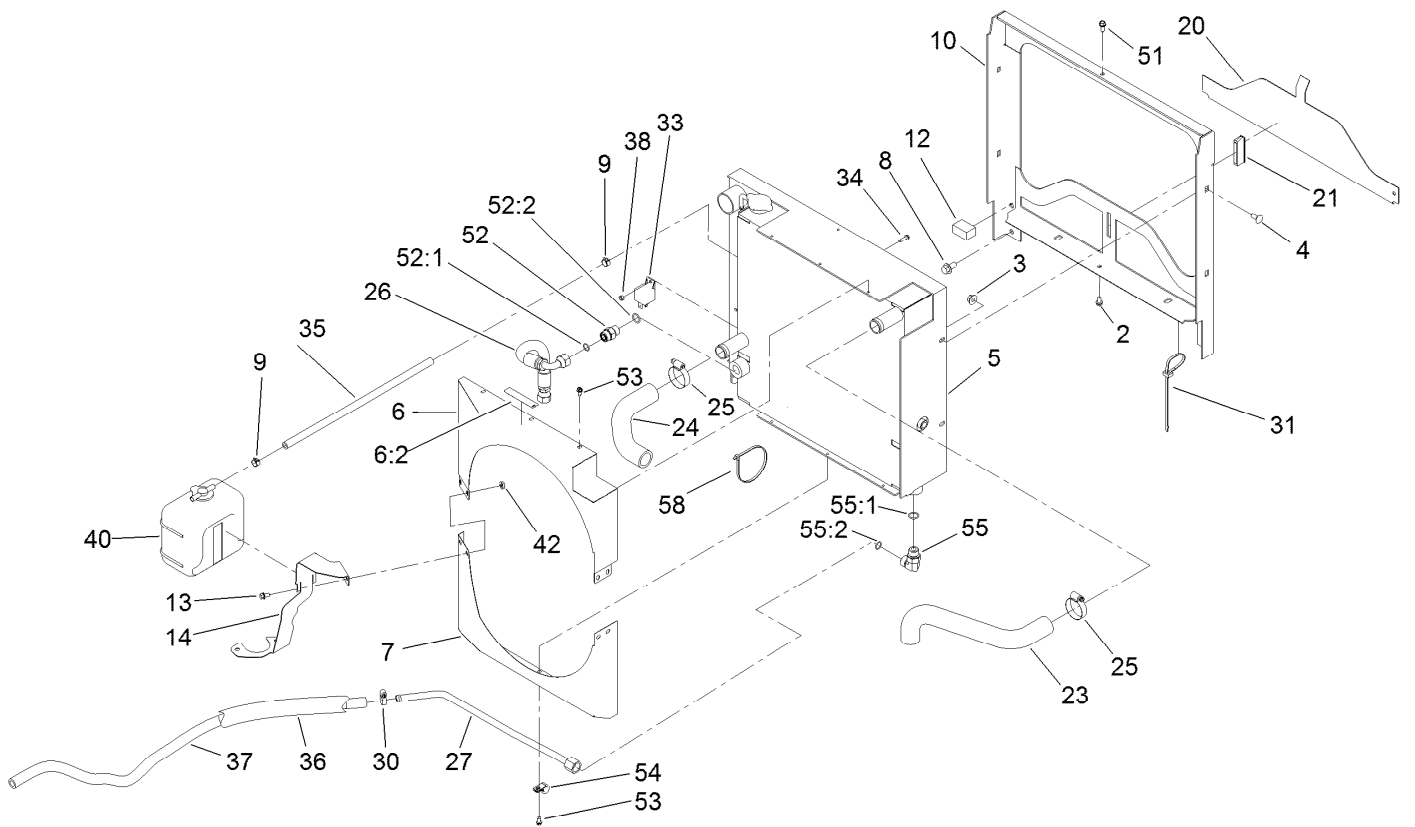
Air Cleaner and Muffler Assembly

<i>Ref.</i>	<i>Part Number</i>	<i>Qty.</i>	<i>Description</i>	<i>Ref.</i>	<i>Part Number</i>	<i>Qty.</i>	<i>Description</i>
1	95-8946	1	Hose-Upper, Air Inlet	13	93-2191	1	Air Cleaner Mounting Band ASM
2	95-8947	1	Hose-Air Inlet, Lower	13:2	94-3653	1	Bolt
3	32128-44	6	Nut	13:3	94-3654	1	Spring
4	3234-5	3	Screw-HHF	13:4	48-9510	1	Nut
5	3256-23	2	Washer-Plain	14	104-4834	1	Muffler
6	33114-016	2	Screw-HH	15	95-8943-03	1	Bracket-Muffler
7	99-3355-03	1	Bracket-Filter, Air	16	99-3425-03	1	Guard-Exhaust
8	2412-92	4	Clamp-Hose	17	32144-4	4	Screw-HWH
9	93-2190	1	Air Cleaner ASM	18	3234-17	3	Screw-HHF
11	33014-00	4	Nut-Hex				
12	3253-4	4	Washer-Lock				



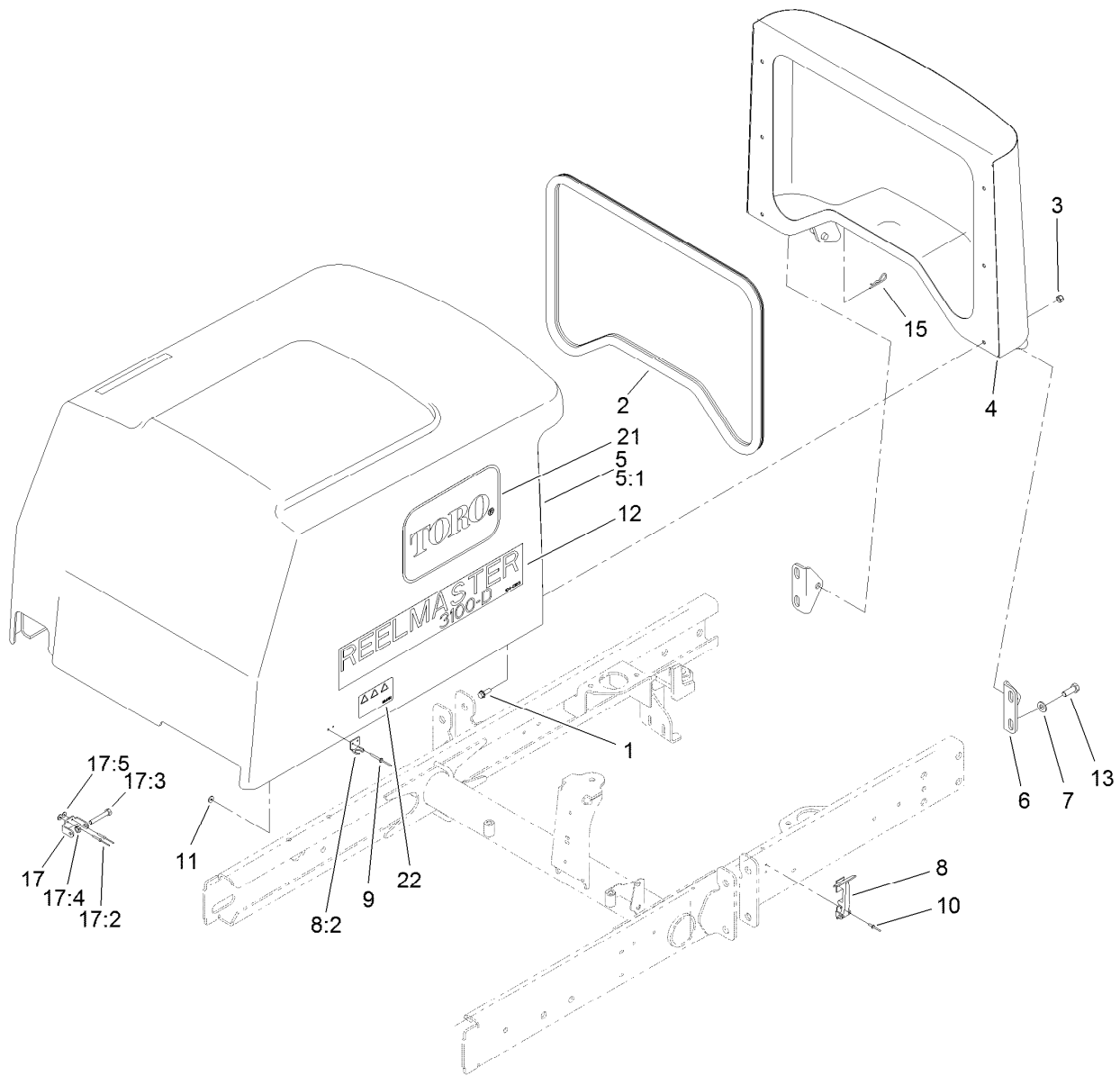
Air Cleaner Assembly No. 93-2190

<i>Ref.</i>	<i>Part Number</i>	<i>Qty.</i>	<i>Description</i>
2	108-3811	1	Filter-Air
3	94-3652	1	Cover ASM
3:1	1-643283	2	Latch-Cleaner, Air
4	87-9400	1	Valve-Vacuator
5	285-17	1	Plug-Pipe



Radiator Assembly

<i>Ref.</i>	<i>Part Number</i>	<i>Qty.</i>	<i>Description</i>	<i>Ref.</i>	<i>Part Number</i>	<i>Qty.</i>	<i>Description</i>
2	32104-116	6	Screw-HWHTF	30	2412-36	1	Clamp-Hose
3	32128-44	4	Nut	31	3290-378	2	Tie-Cable
4	3230-1	4	Bolt-CARR	33	99-7435	1	Relay
5	120-3392	1	Radiator/Oil Cooler	34	32105-13	1	Screw-HWH
6	121-3584	1	Shroud-Fan, Top	35	110-4105	1	Hose-Fuel
6:2	93-6681	1	Decal-Warning, Fan	36	56-7985	1	Sleeve-Protective
7	121-6254-03	1	Shroud-Fan, Bottom	37	93-6804	1	Hose
8	3234-1	4	Screw-HHF	38	3296-2	1	Nut-Lock, NI
9	92-2379	2	Clamp-Hose	40	104-9318	1	Bottle-Overflow
10	100-4903-03	1	Frame-Radiator	42	32128-33	4	Nut-HF
12	95-8962	2	Seal-Foam, Radiator	51	119-2038	1	Screw-HWH
13	3234-13	4	Screw-HHF	52	340-4	1	Fitting-Straight
14	121-3604-03	1	Bracket-Mounting, Reservoir	52:1	237-30	1	O-Ring
20	95-8702-03	1	Shield-Radiator, Lower	52:2	237-79	1	O-Ring
21	99-3497	1	Magnet	53	32104-95	6	Screw-HWH
23	121-3571	1	Hose-Radiator, Upper	54	2412-73	2	Clamp-R
24	119-6748	1	Hose-Radiator, Lower	55	340-98	1	Fitting-Elbow, 90 DEG
25	2412-3	2	Clamp-Hose	55:1	237-79	1	O-Ring
26	104-2806	1	Hose-HYD	55:2	237-30	1	O-Ring
27	121-3572	1	Tube-HYD	58	3290-379	1	Tie-Cable

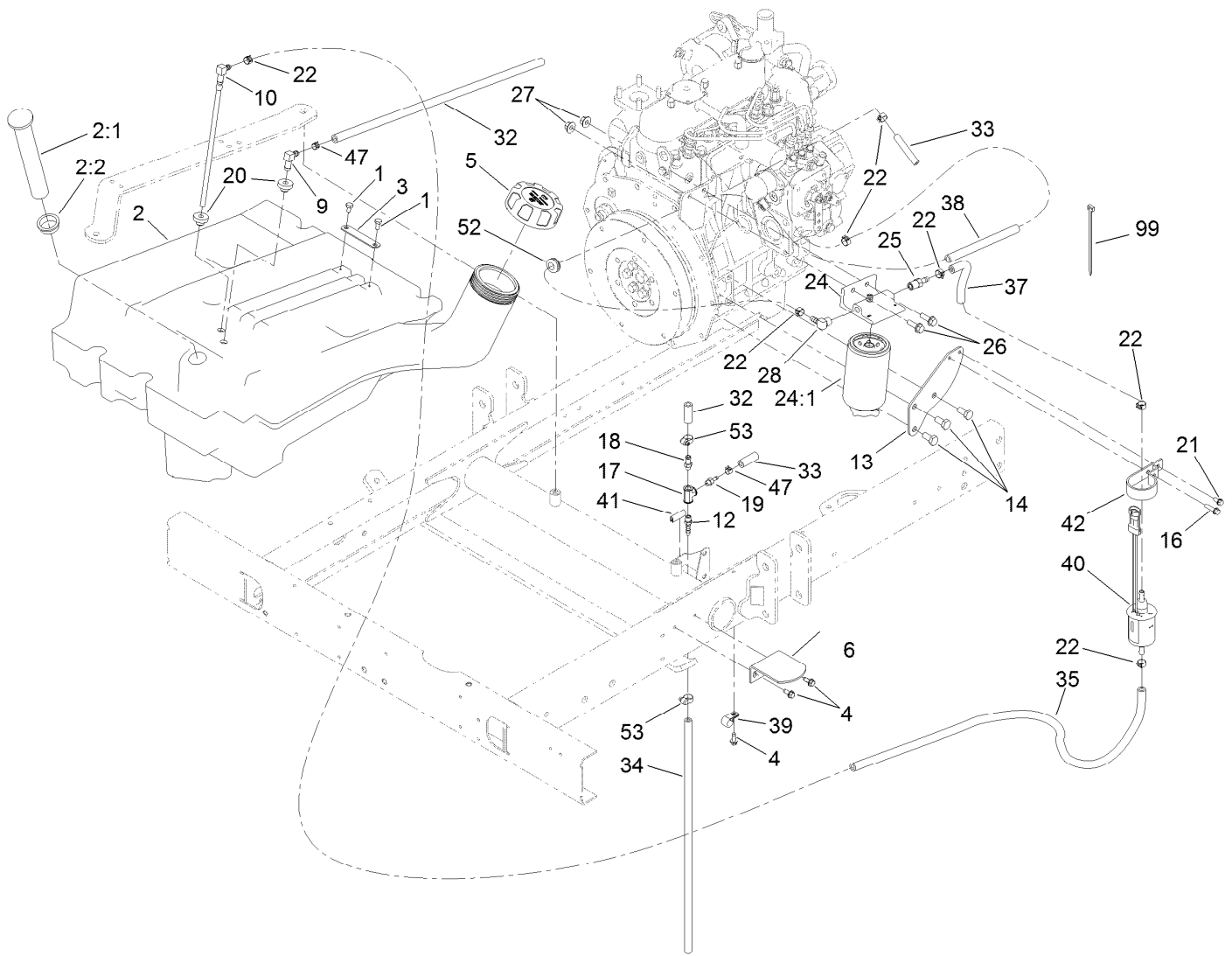


Hood Assembly

Ref.	Part Number	Qty.	Description	Ref.	Part Number	Qty.	Description
1	3234-4	6	Screw-HHF	10	3290-55	4	Rivet-Pop
2	95-8809	1	Trim-Seal	11	3269-10	4	Washer-Back
3	3296-42	6	Nut-Lock, NI	12	104-5153	2	Decal-Hood
4	95-8724-03	1	Screen-Hood	13	323-6	4	Screw-HH
5	121-3633	1	Hood ASM	15	3290-467	1	Pin-Hair
5:1		1	Hood ■	17	119-2004	1	CE Latch Kit
5:1:1	106-8114	1	Heat Tape Repair Kit ●	17:2	107-0333	2	Rivet-Pop
6	95-8728	2	Bracket-Pivot, Hood	17:3	322-10	1	Screw-HH
7	3256-24	4	Washer-Flat	17:4	3296-47	1	Nut-Lock, NI
8	59-9740	2	Flex Draw Latch ASM	17:5	3269-10	2	Washer-Back
8:2	249-40	1	Keeper	21	66-6140	2	Decal
9	107-0333	4	Rivet-Pop	22	117-3270	1	Decal-Danger

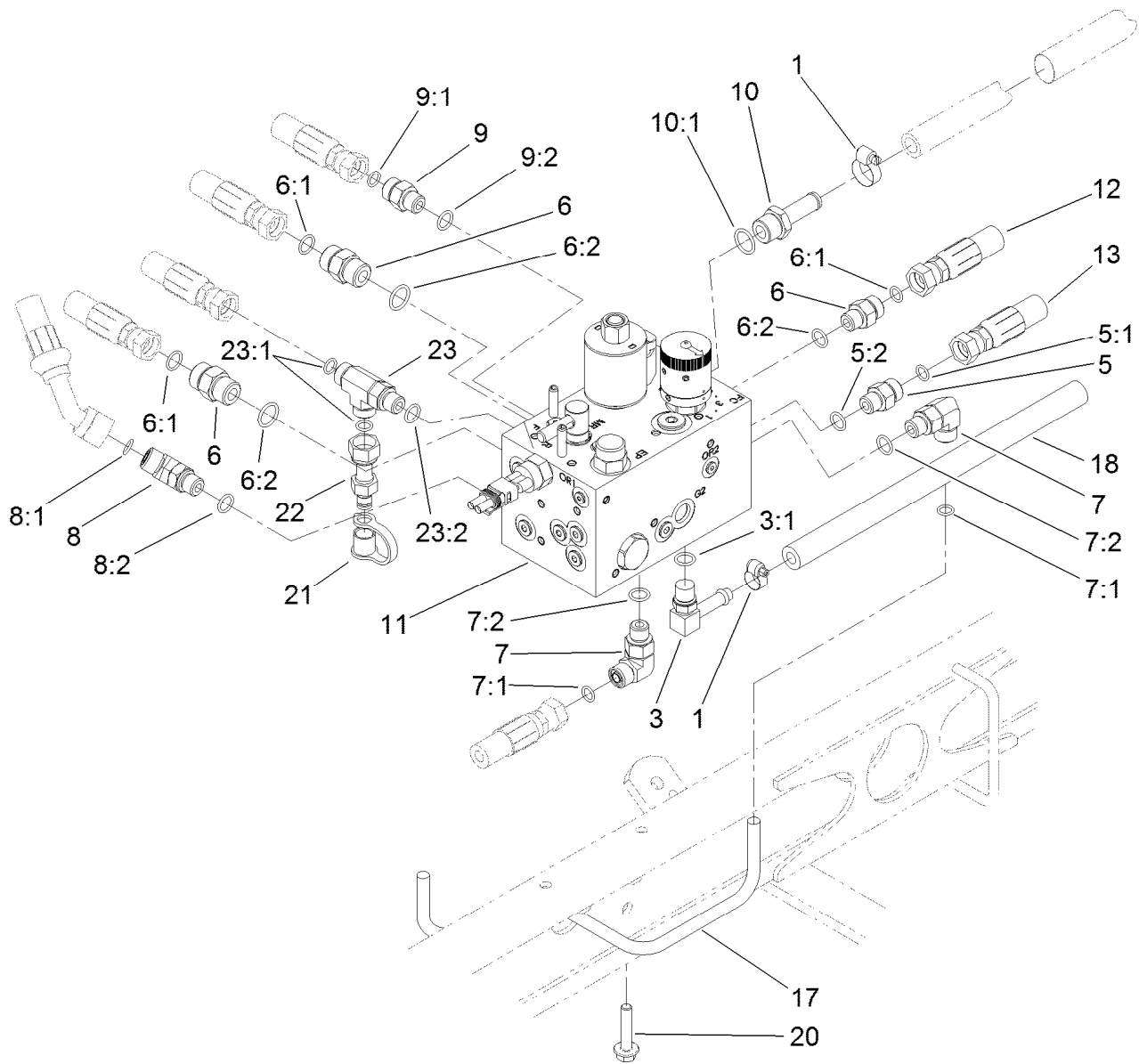
● Not illustrated

■ Not serviced separately



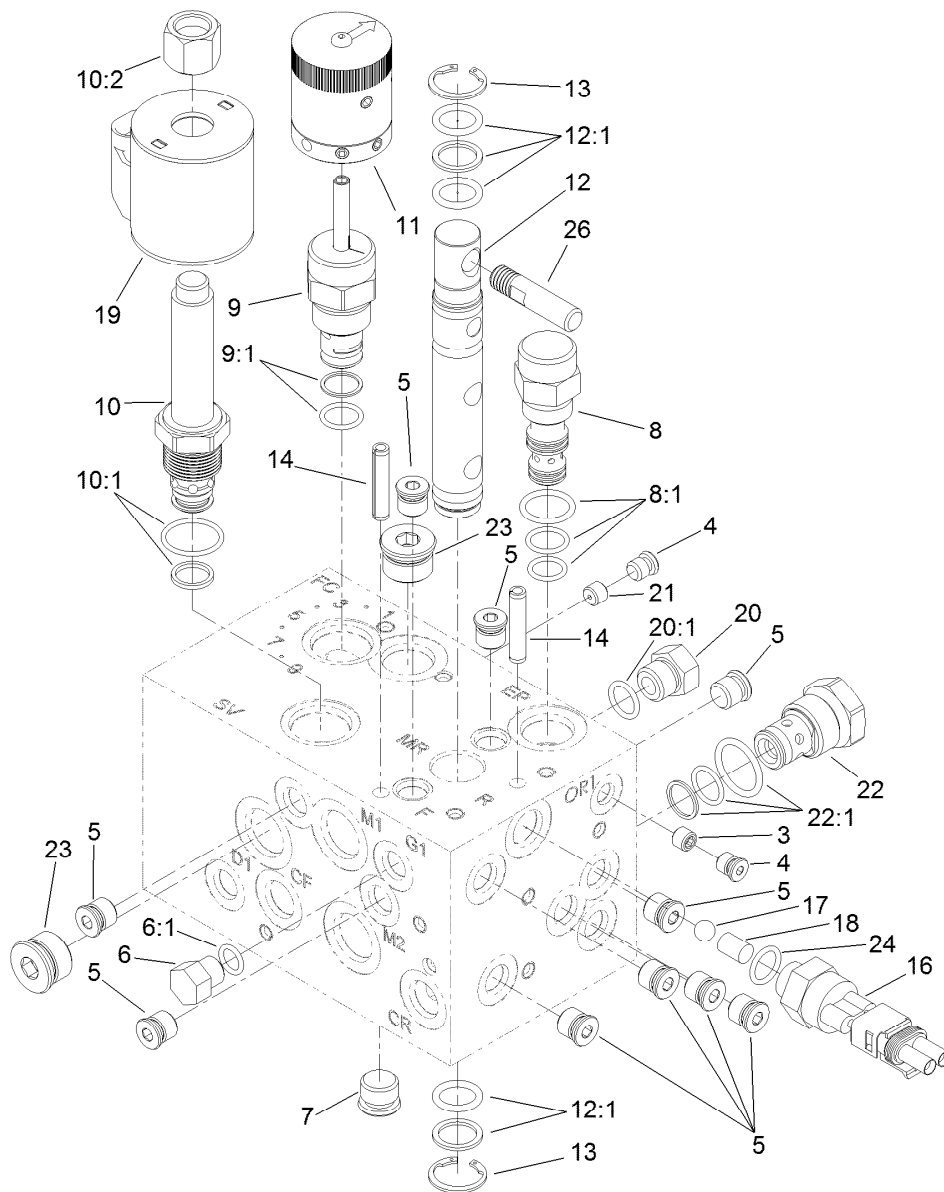
Fuel System Assembly

Ref.	Part Number	Qty.	Description	Ref.	Part Number	Qty.	Description
1	321-2	2	Screw-HH	24	110-9044	1	Separator-Filter
2	95-8620	1	Tank-Fuel	24:1	110-9049	1	Filter-Spin On
2:1	95-8971	1	Gauge-Fuel	25	353-783	1	Fitting-STR
2:2	95-8972	1	Grommet	26	3234-17	2	Screw-HHF
3	95-8881	1	Strap-Line, Fuel	27	32128-44	2	Nut
4	32144-10	3	Screw-HWH	28	353-781	1	Fitting-HYD, 90
5	114-5064	1	Cap-Diesel	32	110-6187	1	Hose-Fuel
6	95-8968-03	1	Support-Tank, Fuel	33	110-8751	1	Hose-Fuel
9	46-6550	1	Fitting-Elbow, 90 DEG	34	110-5701	1	Hose-Fuel
10	110-9689	1	Pipe-Stand	35	121-7914	1	Hose-Fuel
12	304-73	1	Fitting-Straight	37	117-4026	1	Hose-Fuel
13	120-2182-03	1	Plate-Mount, Fuel Pump	38	110-4113	1	Hose-Fuel
14	63-7790	3	Screw-Cap	39	2412-73	1	Clamp-R
16	32144-86	1	Screw-HWHTF	40	110-8806	1	Pump-Fuel
17	354-20	1	Fitting-Tee	41	110-8754	1	Trim
18	354-21	1	Fitting-Barbed	42	110-8817	1	Bracket-Pump, Fuel
19	354-22	1	Fitting-Barbed	47	2412-80	2	Clamp-Hose
20	46-6560	2	Bushing	52	1-543296	1	Grommet
21	32144-4	1	Screw-HWH	53	2412-108	2	Clamp-Worm
22	92-2379	7	Clamp-Hose	99	3290-379	2	Tie-Cable



Manifold Block Assembly

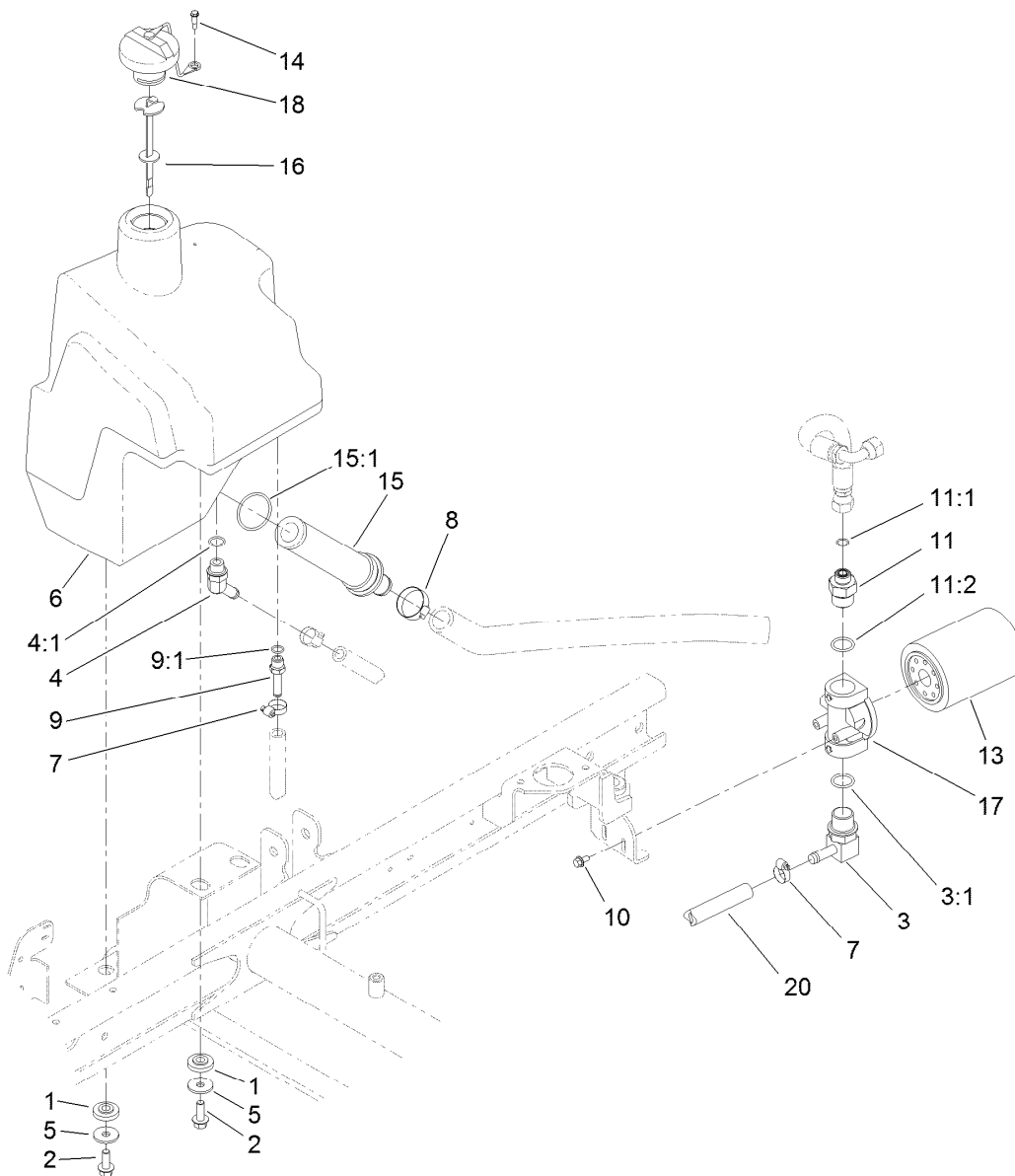
<i>Ref.</i>	<i>Part Number</i>	<i>Qty.</i>	<i>Description</i>	<i>Ref.</i>	<i>Part Number</i>	<i>Qty.</i>	<i>Description</i>
1	2412-36	2	Clamp-Hose	9:1	237-78	1	O-Ring
3	100-4887	1	Fitting-Elbow, 90	9:2	237-21	1	O-Ring
3:1	237-42	1	O-Ring	10	354-121	1	Fitting-STR
5	340-2	1	Fitting-Straight	10:1	237-79	1	O-Ring
5:1	237-22	1	O-Ring	11	108-9037	1	Manifold ASM
5:2	237-42	1	O-Ring	12	95-8829	1	Hose ASM
6	340-4	3	Fitting-Straight	13	106-4197	1	Hose ASM
6:1	237-30	1	O-Ring	17	95-8792	1	Tube ASM
6:2	237-79	1	O-Ring	18	80-7342	1	Hose-HYD
7	340-77	2	Fitting-Elbow, 90 DEG	20	104-8300	2	Nut-HF, NI
7:1	237-22	1	O-Ring	21	354-79	1	Cap-Dust
7:2	237-42	1	O-Ring	22	86-5480	1	Nipple-Test
8	340-87	1	Fitting-Elbow, 45 DEG	23	340-86	1	Fitting-Tee
8:1	237-22	1	O-Ring	23:1	237-22	2	O-Ring
8:2	237-42	1	O-Ring	23:2	237-42	1	O-Ring
9	340-92	1	Fitting-Straight				



Hydraulic Manifold Assembly No. 108-9037

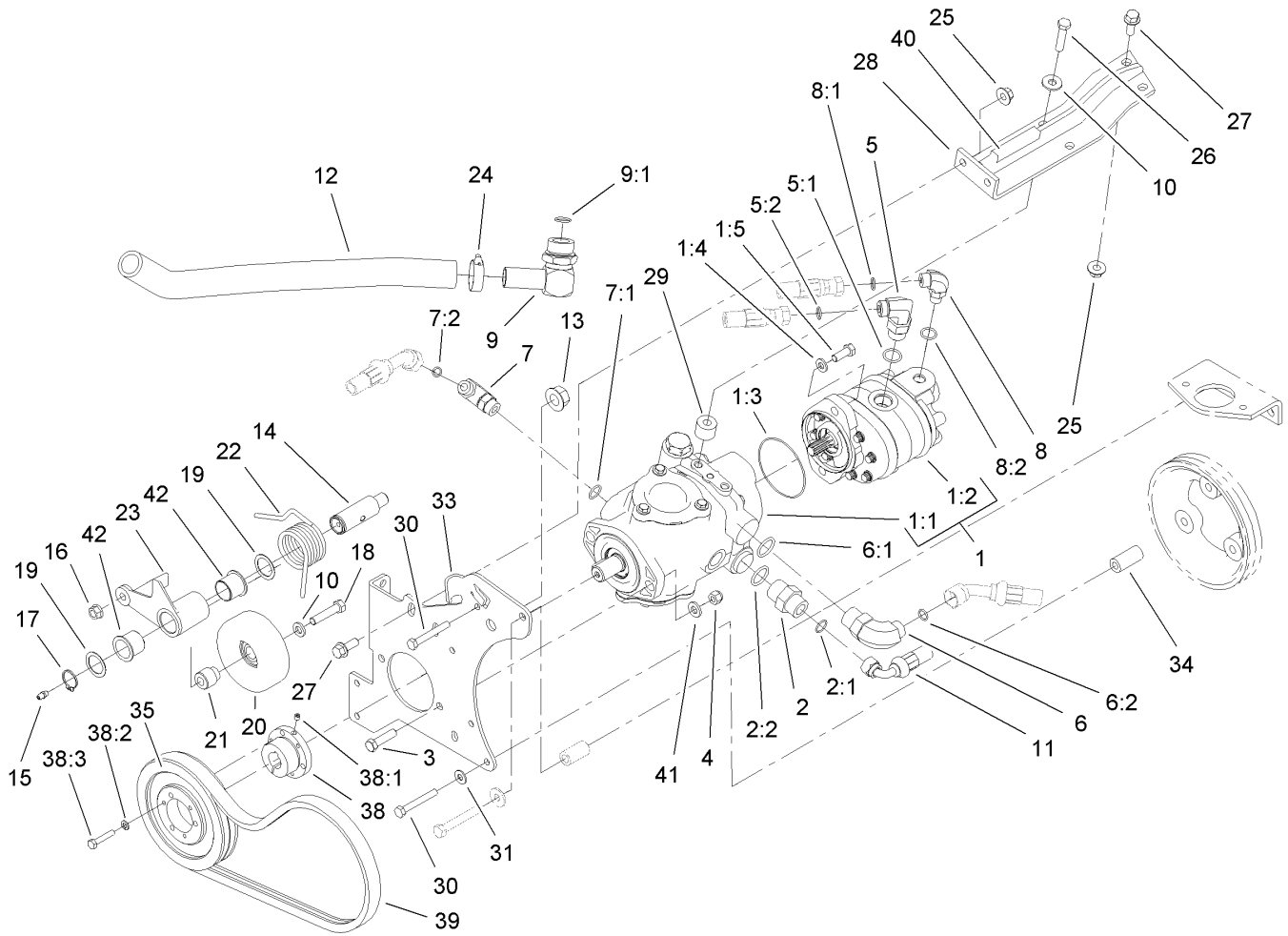
Ref.	Part Number	Qty.	Description	Ref.	Part Number	Qty.	Description
3	110-8771	1	Orifice-.020	12:1	117-0109	1	Seal Kit
4	106-1024	2	Plug-Leak, Zero	13	112-6532	2	Ring-Retaining
5	106-1025	10	Plug-HYD	14	112-6531	2	Pin-Spring
6	353-512	1	Plug	16	72-4310	1	Switch-Ball
6:1	237-78	1	O-Ring	17	110-8762	1	Ball-Chrome
7	106-1026	1	Plug-HYD	18	110-8761	1	Pin-Dowel
8	110-8770	1	Logic Element	19	110-6344	1	Coil-12V, DC
8:1	110-8773	1	Seal Kit	20	353-508	1	Plug-HH
9	110-8769	1	Valve-Control, Manual Flow	20:1	237-42	1	O-Ring
9:1	110-2633	1	Seal Kit	21	110-8760	1	Orifice-.073
10	110-8768	1	Valve-Relief, Solenoid	22	110-8759	1	Valve-Check
10:1	110-6316	1	Seal Kit ●	22:1	110-8772	1	Seal Kit ●
10:2	110-2635	1	Nut-Coil	23	106-1027	2	Plug
11	110-8767	1	Rotary Handle ASM	24	110-8757	1	O-Ring
12	117-0108	1	Spool-Rotary	26	110-8758	1	Handle-Spool

● Not illustrated



Hydraulic Tank Assembly

<i>Ref.</i>	<i>Part Number</i>	<i>Qty.</i>	<i>Description</i>	<i>Ref.</i>	<i>Part Number</i>	<i>Qty.</i>	<i>Description</i>
1	240-11	4	Bushing-Flange	10	3234-13	2	Screw-HHF
2	3234-11	4	Screw-HHF	11	100-4240	1	Fitting-STR
3	95-8814	1	Fitting-90	11:1	237-30	1	O-Ring
3:1	237-81	1	O-Ring	11:2	237-81	1	O-Ring
4	354-126	1	Fitting-Elbow, 45	13	54-0110	1	Filter-Oil, Transmission
4:1	237-79	1	O-Ring	14	57-5420	1	Screw-Shoulder
5	63-8410	4	Washer	15	104-7546	1	Tank Strainer ASM
6	104-4840	1	Tank-HYD	15:1	340-136	1	O-Ring
7	2412-36	3	Clamp-Hose	16	119-6968	1	Dipstick-Oil
8	2412-34	1	Clamp-Hose	17	92-5821	1	Head-Filter
9	353-979	1	Fitting-STR	18	93-7160	1	Cap-Oil, HYD
9:1	237-42	1	O-Ring	20	99-3501	1	Hose

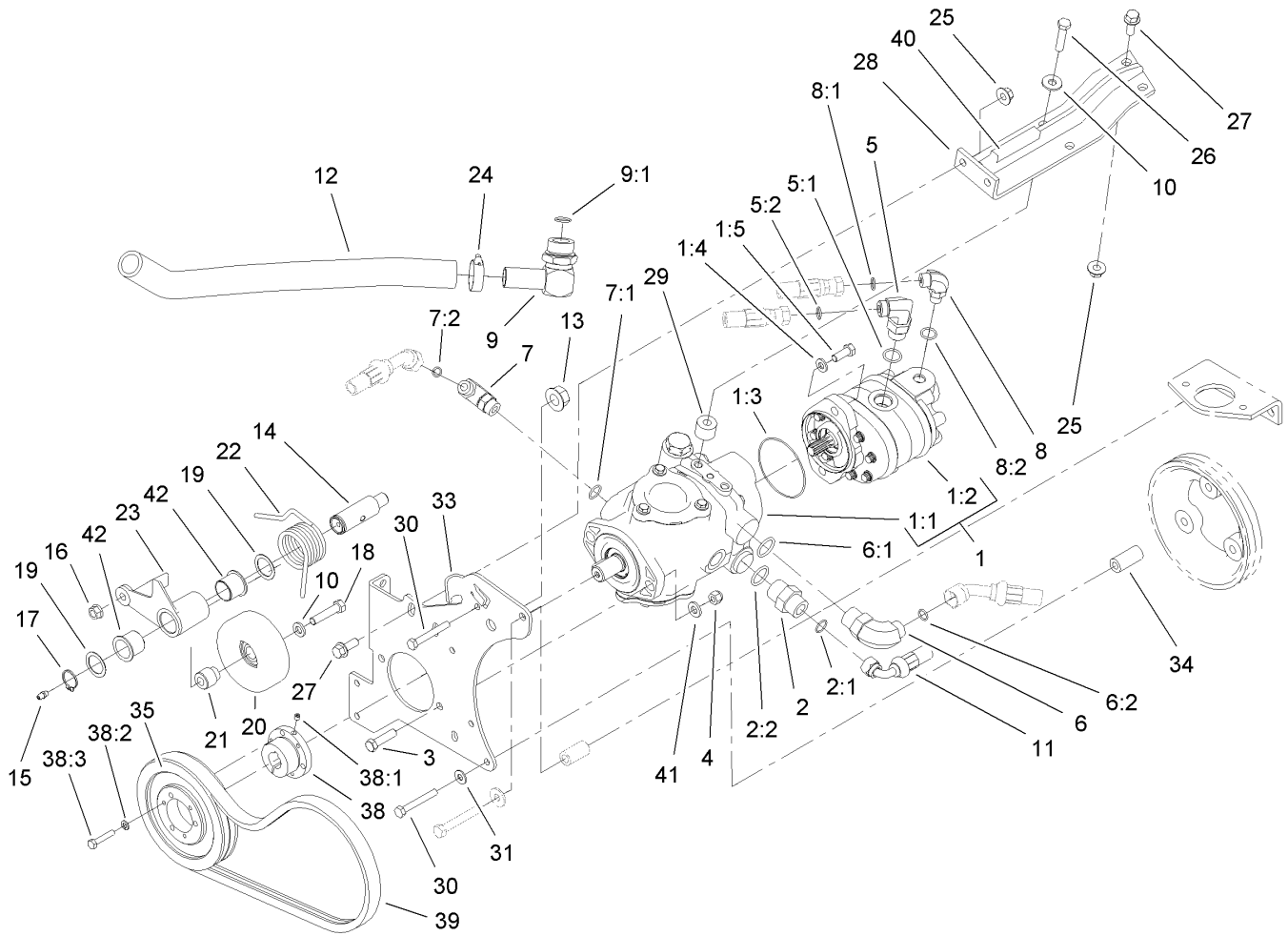


Hydrostat Assembly

Ref.	Part Number	Qty.	Description
1		1	Tandem Pump ASM ●
1:1	104-4890	1	Piston Pump ASM
1:2	95-8601	1	Gear Pump ASM
1:3	60-3520	1	O-Ring
1:4	3256-24	2	Washer-Flat
1:5	3274-1	2	Screw-HSH
2	340-8	1	Fitting-Straight
2:1	237-65	1	O-Ring
2:2	237-81	1	O-Ring
3	323-8	2	Screw-HH
4	3296-39	2	Nut-Lock, NI
5	340-105	1	Fitting-Elbow, 90 DEG
5:1	237-80	1	O-Ring
5:2	237-30	1	O-Ring
6	340-139	1	Fitting-Elbow 90
6:1	237-81	1	O-Ring
6:2	237-65	1	O-Ring
7	340-18	1	Fitting-HYD, 90 DEG
7:1	237-79	1	O-Ring
7:2	237-22	1	O-Ring
8	340-77	1	Fitting-Elbow, 90 DEG
8:1	237-22	1	O-Ring
8:2	237-42	1	O-Ring
9	56-9530	1	Fitting-HYD, 90 DEG
9:1	237-117	1	O-Ring

Ref.	Part Number	Qty.	Description
10	80-6990	3	Washer-Hardened
11	105-1214	1	Hose-HYD
12	104-4845	1	Hose-Suction
13	32128-54	1	Nut-HF
14	99-3529	1	Shaft-Pivot, Idler
15	302-5	1	Fitting-Grease
16	32128-21	1	Nut-HF
17	32151-36	1	Ring-Retaining
18	323-10	1	Screw-HH
19	74-1810	2	Washer
20	95-8802	1	Pulley-Idler
21	95-8806	1	Spacer
22	95-8917	1	Spring-Torsion
23	99-3623-03	1	Arm-Idler
24	2412-34	1	Clamp-Hose
25	32128-43	4	Nut-Flange
26	323-19	2	Screw-HH
27	3234-11	4	Screw-HHF
28	99-3436-03	1	Support-Pump
29	99-3440	2	Spacer
30	33114-060	4	Screw-HH
31	87-8640	3	Washer-Flat
33	95-8933-03	1	Plate-Mount, Pump
34	95-8941	4	Spacer-Mount, Pump
35	93-6841	1	Pulley

● Not serviced separately

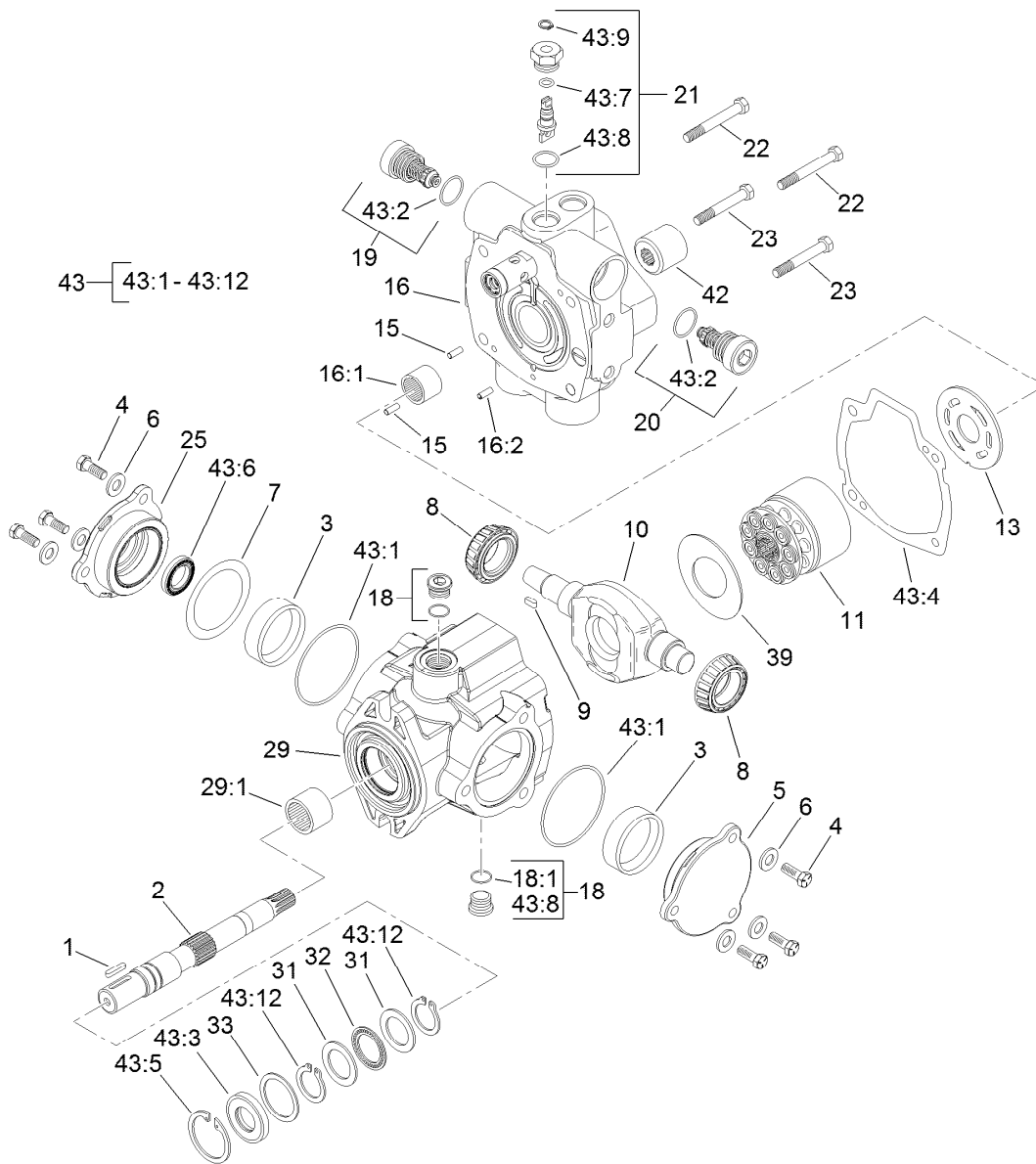


Hydrostat Assembly (continued)

<i>Ref.</i>	<i>Part Number</i>	<i>Qty.</i>	<i>Description</i>
38	93-6842	1	Bushing-Lock, Taper
38:1	3245-36	1	Screw-Set, HSH
38:2	321-13	3	Screw-HH
38:3	3253-2	3	Washer-Lock

<i>Ref.</i>	<i>Part Number</i>	<i>Qty.</i>	<i>Description</i>
39	95-8730	1	V-Belt
40	70-2041	1	Trim
41	100-4852	2	Washer-Hardened
42	99-3631	2	Bushing-Flange

● Not serviced separately

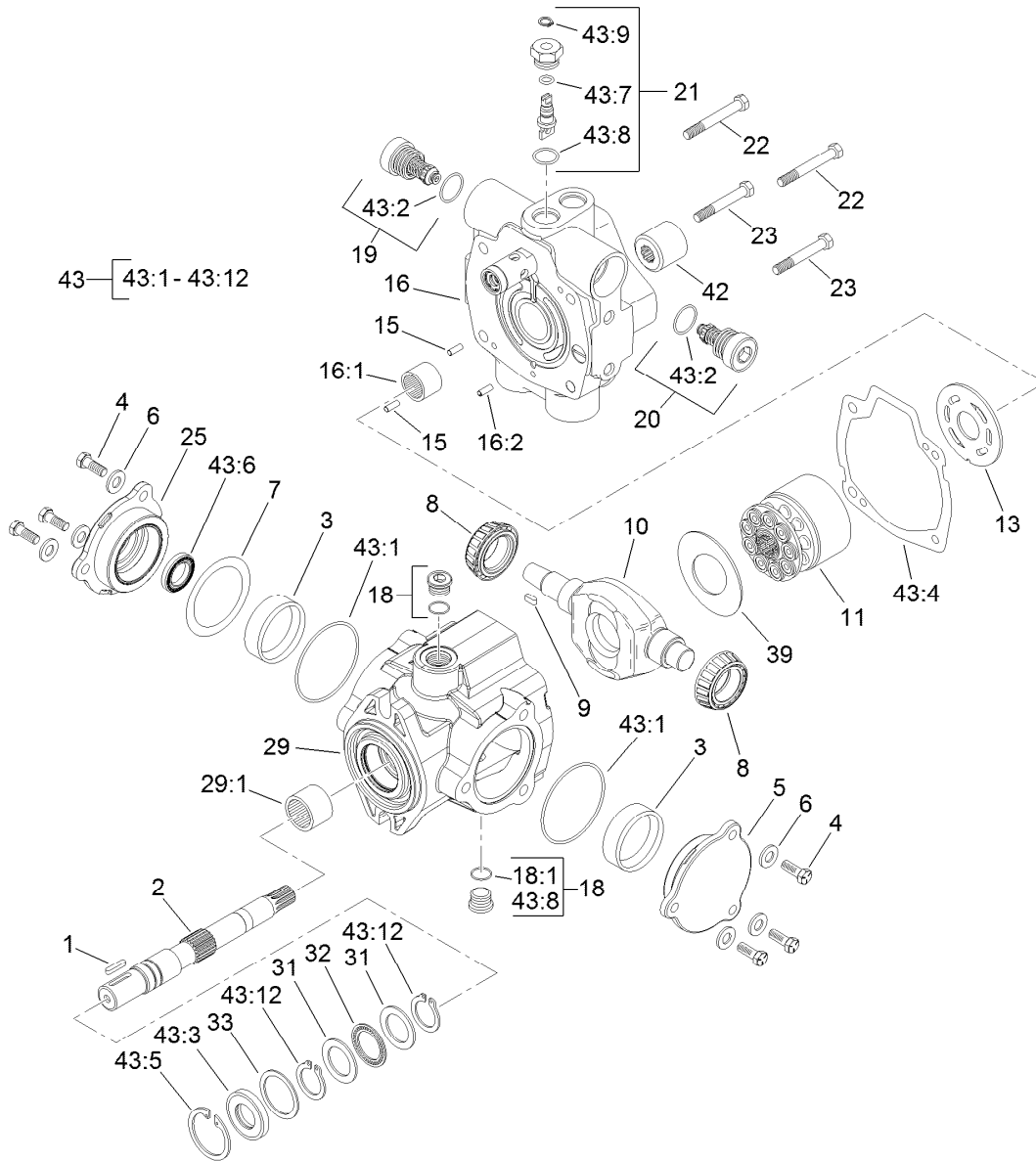


Hydraulic Pump Assembly No. 104-4890

Ref.	Part Number	Qty.	Description	Ref.	Part Number	Qty.	Description
1	94-3645	1	Key	19	104-4889	1	Relief Valve ASM
2	94-6359	1	Shaft-Drive	20	105-3812	1	Valve-Check
3	104-4046	2	Bearing-Cup	21	105-3811	1	Valve-Bypass
4	98-4640	6	Screw-Cap	22	76-6170	2	Capscrew
5	98-4644	1	Plate-Cover	23	76-6160	2	Capscrew
6	105-9762	6	Washer	25	98-4645	1	Plate-Cover
7	100-3182	2	Shim Kit	29	100-3176	1	Housing ASM
8	98-4639	2	Bearing-Cone	29:1	94-6363	1	Bearing
9	94-3646	1	Key	31	252-71	2	Washer-Thrust
10	104-4888	1	Swashplate	32	252-66	1	Bearing-Thrust
11	76-6070	1	Rotating Kit	33	33-3720	1	Washer
13	104-0429	1	Plate-Valve	39	98-4635	1	Insert-Plate, Cam
15	76-6150	2	Pin-Dowel	42	74-9040	1	Coupler
16	105-3813	1	Endcover Sub ASM	43	120-5754	1	Seal Kit
16:1	94-6368	1	Bearing	43:1		2	O-Ring ■
16:2		1	Pin-Roll ■	43:2		2	O-Ring ■
18	74-9280	2	Plug ASM	43:3		1	Seal-Shaft ■
18:1		1	O-Ring ■	43:4		1	Gasket ■

● Not illustrated

■ Not serviced separately



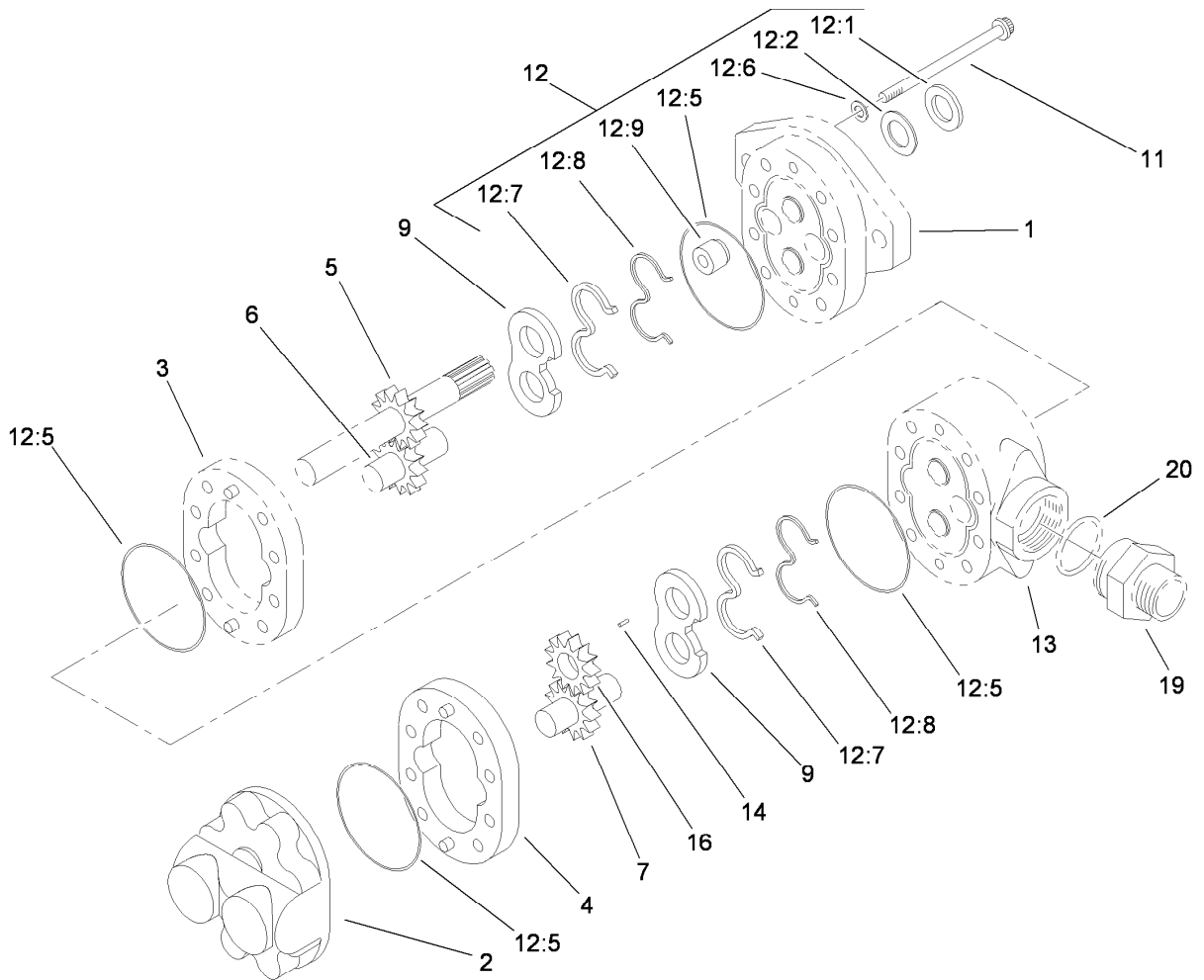
Hydraulic Pump Assembly No. 104-4890 (continued)

Ref.	Part Number	Qty.	Description
43:5		1	Ring-Retaining ■
43:6		1	Seal-Shaft ■
43:7		1	O-Ring ■
43:8		5	O-Ring ■
43:9		1	Ring-Retaining ■

Ref.	Part Number	Qty.	Description
43:10		1	O-Ring ●■
43:11		1	O Ring-Molded ●■
43:12		2	Ring-Retaining ■
43:13		1	O-Ring ■●

● Not illustrated

■ Not serviced separately

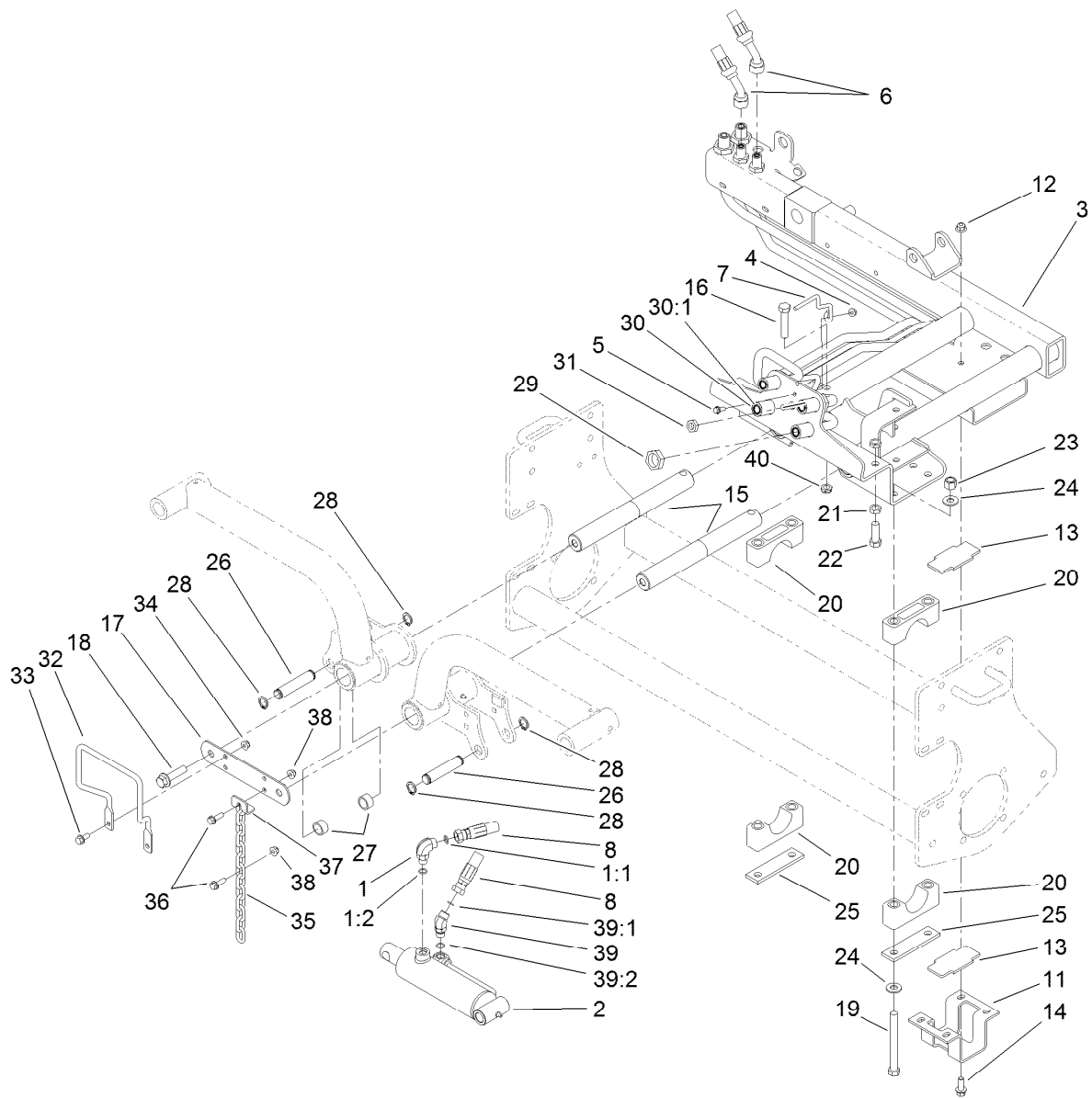


Gear Pump Assembly No. 95-8601

Ref.	Part Number	Qty.	Description
1		1	Plate-Front ■
2		1	Plate-Back ■
3		1	Body ■
4	95-4364	1	Body
5		1	Gear-Drive ■
6		1	Gear-Idler ■
7	95-4366	1	Gear-Idler
9	95-4368	2	Plate-Wear
11	94-8158	8	Screw-Cap
12	94-8161	1	Seal Repair Kit ●
12		4	O-Ring ■
12:1	49-2640	1	Seal-Shaft
12:2	60-5890	1	Washer
12:5		4	O-Ring ■
12:6	94-8160	4	Washer
12:7	95-4369	2	Seal-Pressure
12:8	95-4367	2	Gasket-Backup
12:9	94-3011	1	Plug
13		1	Plate-Adapter ■
14		1	Key ■
16	95-4373	1	Gear-Fit, Slip
19	49-2640	1	Seal-Shaft
20	60-5890	1	Washer

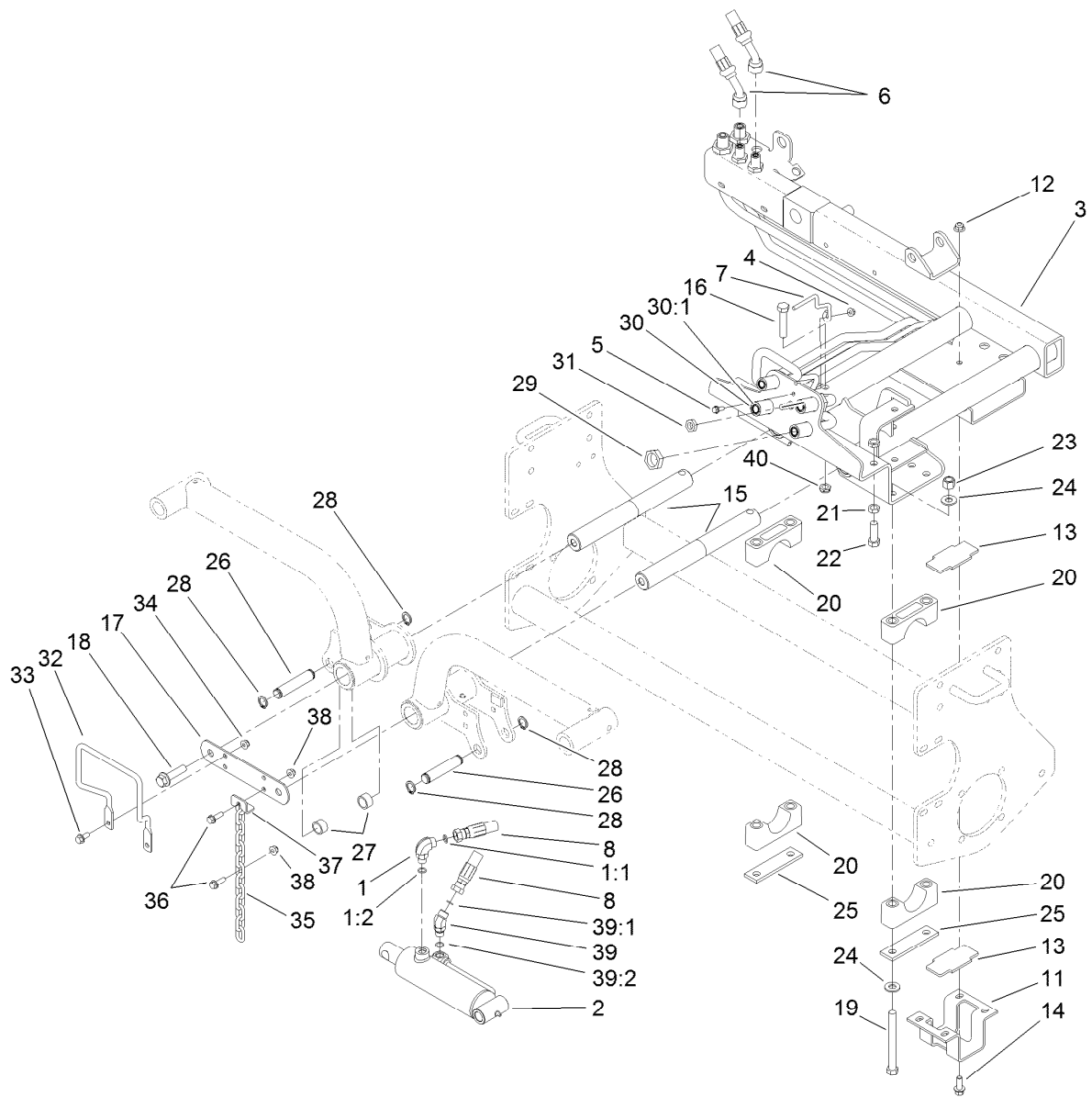
● Not illustrated

■ Not serviced separately



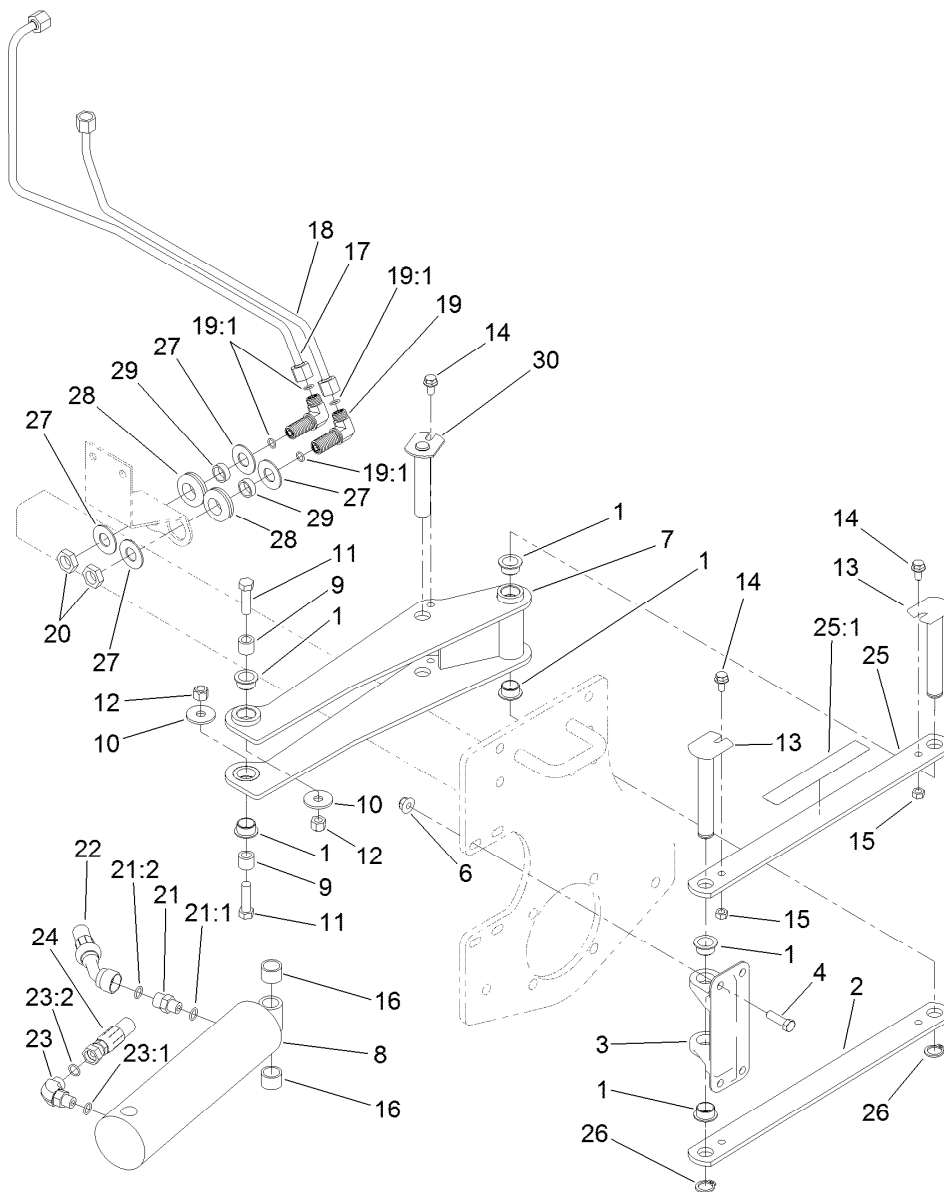
Carrier Assembly

<i>Ref.</i>	<i>Part Number</i>	<i>Qty.</i>	<i>Description</i>	<i>Ref.</i>	<i>Part Number</i>	<i>Qty.</i>	<i>Description</i>
1	340-77	1	Fitting-Elbow, 90 DEG	22	325-7	2	Screw-HH
1:1	237-22	1	O-Ring	23	3296-23	8	Nut-Lock, NI
1:2	237-42	1	O-Ring	24	87-7270	16	Washer-Thrust
2	117-5109	1	HYD Cylinder ASM	25	99-3373	4	Bar-Support, Slide
3	100-4930-03	1	Carrier ASM	26	95-8575	2	Pin-Clevis
4	32128-33	1	Nut-HF	27	75-9590	2	Spacer-Cylinder
5	3234-4	1	Screw-HHF	28	32120-93	4	Ring-Retaining
6	95-8822	2	Hose-HYD	29	340-74	4	Nut-Lock, Bulkhead
7	99-3433	1	Wire-Center	30	99-3640	1	Tube ASM
8	117-5147	2	Hose-HYD	30:1	237-65	2	O-Ring
11	95-8519-03	1	Bracket-Slide	31	340-78	1	Nut-Lock
12	32128-43	4	Nut-Flange	32	99-3492	1	Rod-Formed, Hose Guard
13	95-8538	2	Slide-Plastic	33	3234-5	2	Screw-HHF
14	3234-11	4	Screw-HHF	34	104-8300	2	Nut-HF, NI
15	95-8531	2	Shaft-Pivot, Liftarm	35	98-7981	2	Chain-Link, Straight
16	325-10	2	Screw-HH	36	3234-17	4	Screw-HHF
17	95-8532-03	1	Link-Shaft, Pivot	37	99-3550	2	Clip-Link
18	3234-27	2	Screw-HHF	38	104-8300	4	Nut-HF, NI
19	325-19	8	Screw-HH	39	340-87	1	Fitting-Elbow, 45 DEG
20	104-4865	8	Cap-Bearing	39:1	237-22	1	O-Ring
21	3218-5	4	Nut-Jam				



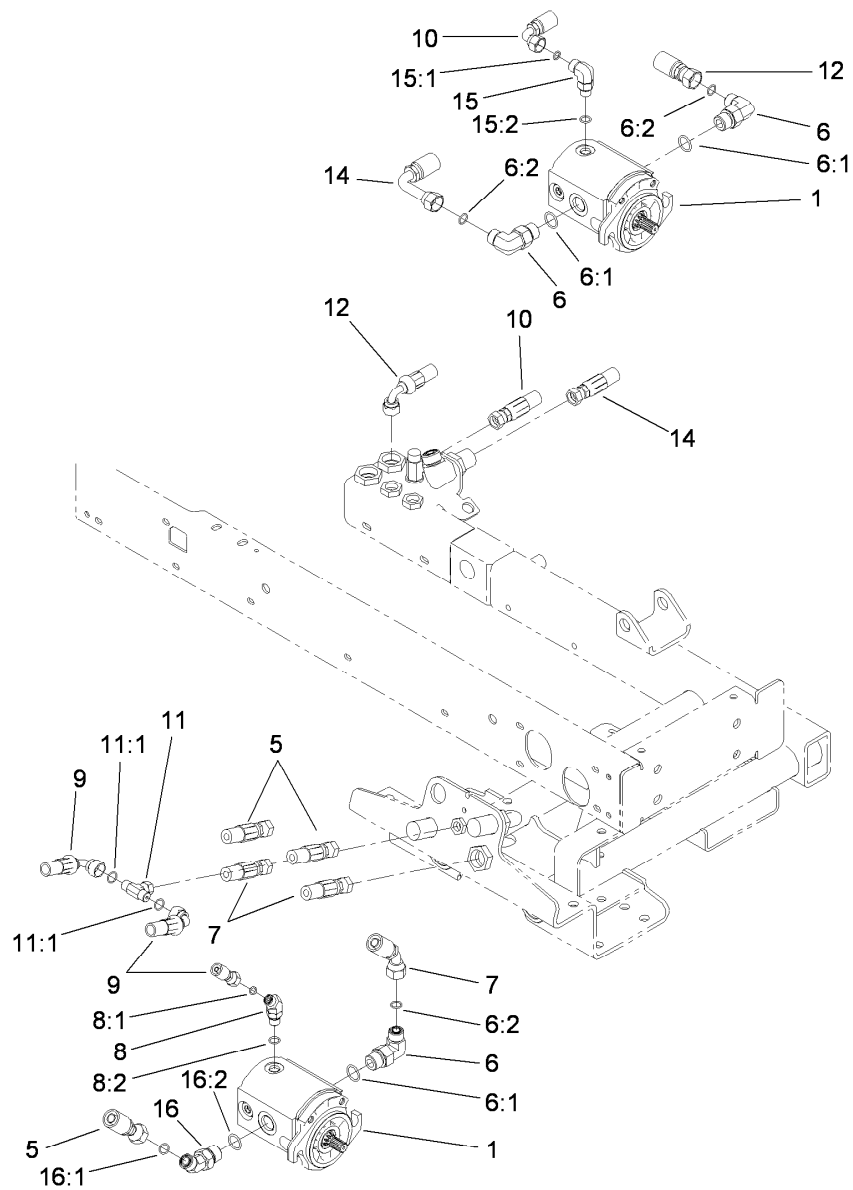
Carrier Assembly (continued)

<i>Ref.</i>	<i>Part Number</i>	<i>Qty.</i>	<i>Description</i>
39:2	237-42	1	O-Ring
40	3296-45	2	Nut-Hex



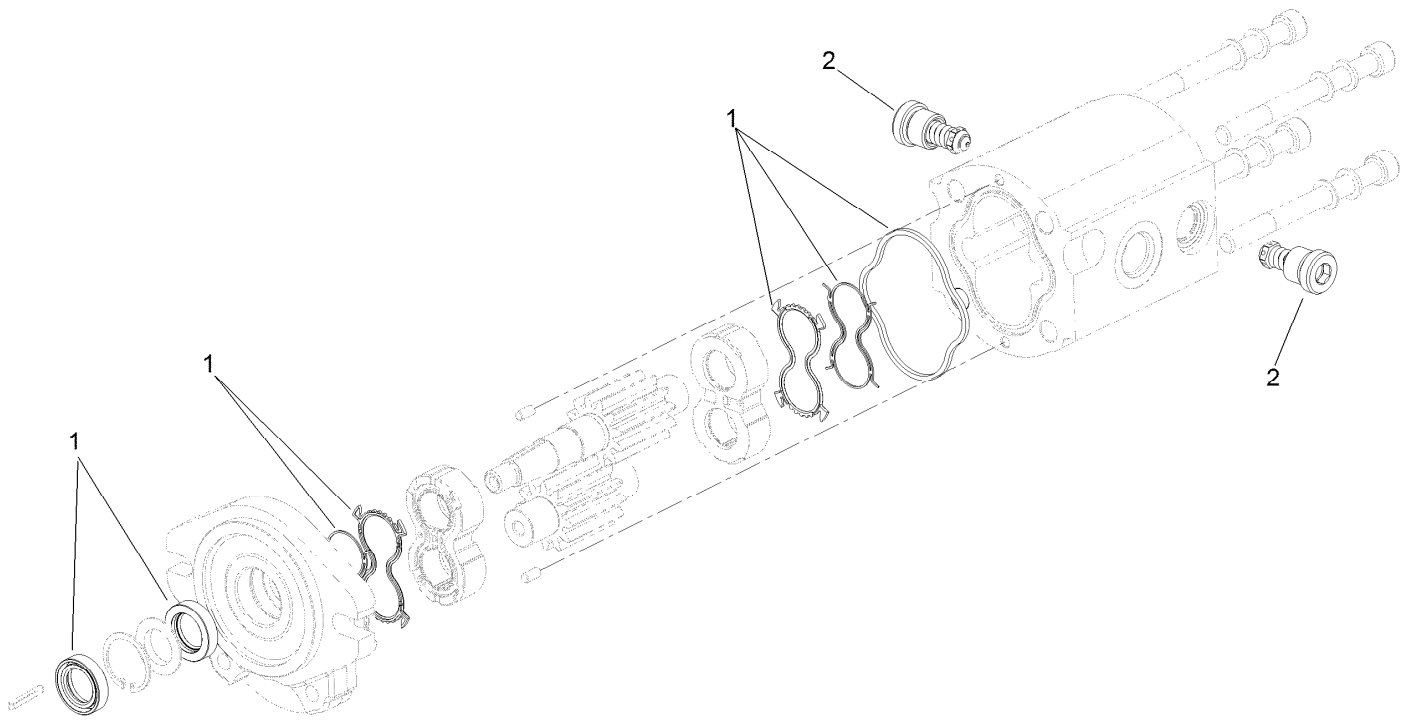
Scissor Assembly

Ref.	Part Number	Qty.	Description	Ref.	Part Number	Qty.	Description
1	95-8526	6	Bushing-Plastic	19:1	237-22	2	O-Ring
2	95-8527-03	1	Link-Scissor	20	340-70	2	Nut-Lock
3	95-8883	1	Mount-Scissor	21	85-9720	1	Fitting-STR, Orifice
4	323-7	4	Screw-HH	21:1	237-78	1	O-Ring
6	104-8301	4	Nut-HF, NI	21:2	237-21	1	O-Ring
7	95-8521-03	1	Frame-Scissor	22	95-8838	1	Hose-HYD
8	95-8512	1	Cylinder-HYD	23	340-132	1	Fitting-Elbow, 90 DEG
9	95-8603	2	Spacer	23:1	237-78	1	O-Ring
10	87-5330	2	Washer	23:2	237-21	1	O-Ring
11	324-6	2	Screw-HH	24	95-8839	1	Hose-HYD
12	3296-48	2	Nut-Hex	25	99-3505	1	Scissors Link ASM
13	125-1914	2	Pin-Pivot	25:1	94-3353	1	Decal-Point, Pinch
14	3234-14	3	Screw-HHF	26	32120-93	2	Ring-Retaining
15	32152-1	3	Nut-Lock, Cone	27	69-8940	4	Washer
16	46-6350	2	Spacer	28	240-4	2	Grommet-Rubber
17	95-8790	1	Tube-HYD	29	69-8970	2	Spacer
18	95-8791	1	Tube-HYD	30	120-3199	1	Pin-Pivot
19	340-154	2	Union-Bulkhead				



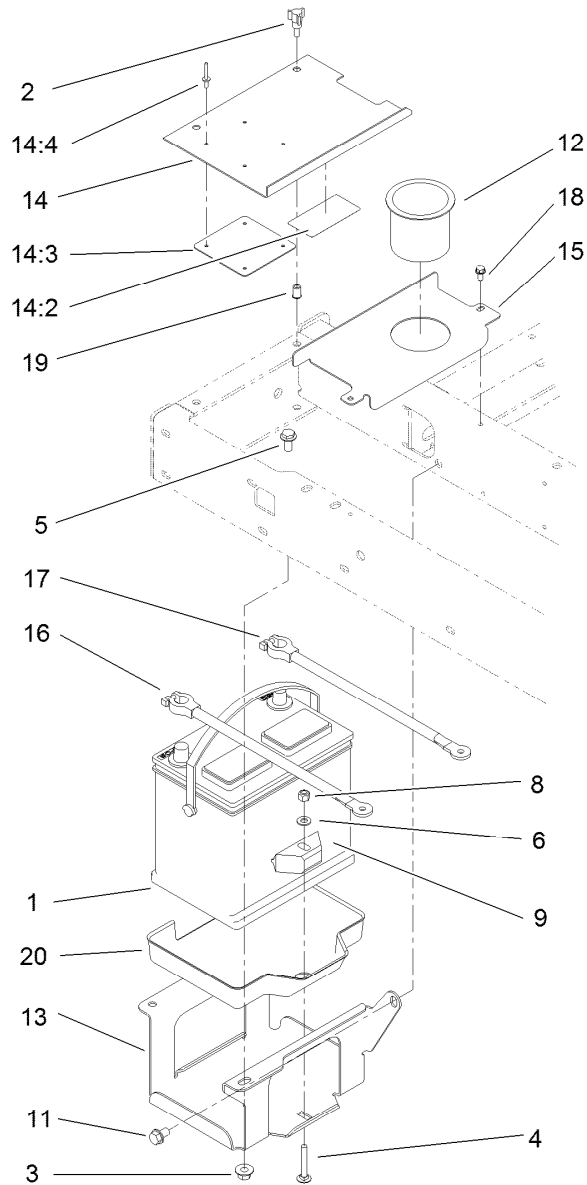
Reel Motor Assembly

Ref.	Part Number	Qty.	Description	Ref.	Part Number	Qty.	Description
1	115-8250	3	Gear Motor ASM	11	99-3477	1	Fitting-Tee
5	117-5142	2	Hose-HYD	11:1	237-42	2	O-Ring
6	340-105	4	Fitting-Elbow, 90 DEG	12	117-5146	1	Hose-HYD
6:1	237-80	1	O-Ring	14	117-5145	1	Hose-HYD
6:2	237-30	1	O-Ring	15	340-77	1	Fitting-Elbow, 90 DEG
7	117-5143	2	Hose-HYD	15:1	237-22	1	O-Ring
8	340-137	2	Fitting	15:2	237-42	1	O-Ring
8:1	237-21	1	O-Ring	16	340-89	2	Fitting-HYD, 45 DEG
8:2	237-42	1	O-Ring	16:1	237-30	1	O-Ring
9	117-5144	2	Hose-HYD	16:2	237-80	1	O-Ring
10	114-5500	1	Hose-HYD				



Gear Motor Assembly No. 115-8250

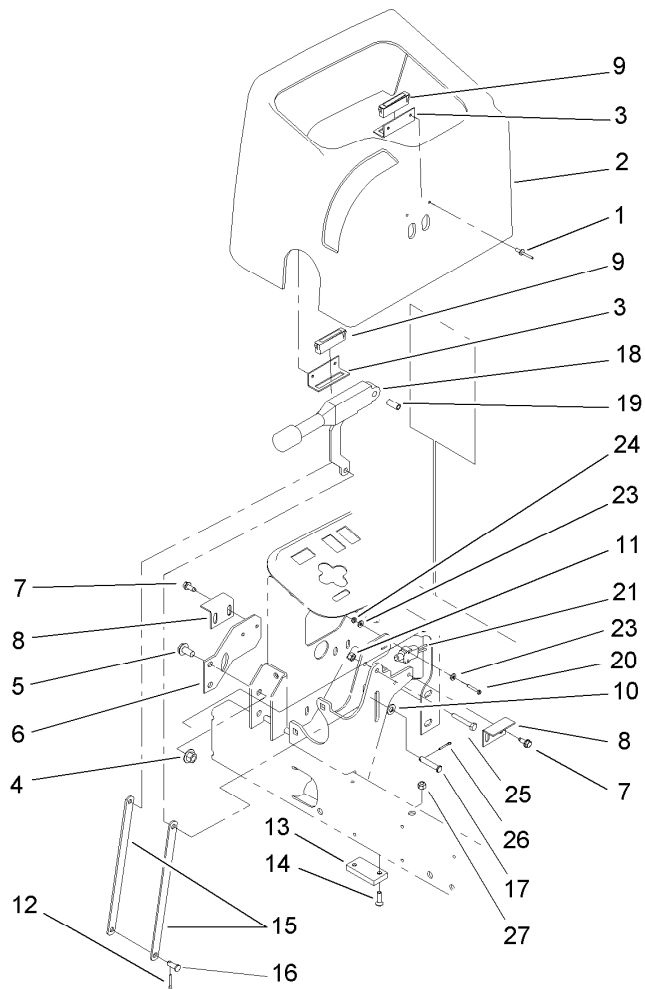
<i>Ref.</i>	<i>Part Number</i>	<i>Qty.</i>	<i>Description</i>
1	125-1682	1	Motor Seal Kit
2	117-5107	2	Valve-Check



Battery Assembly

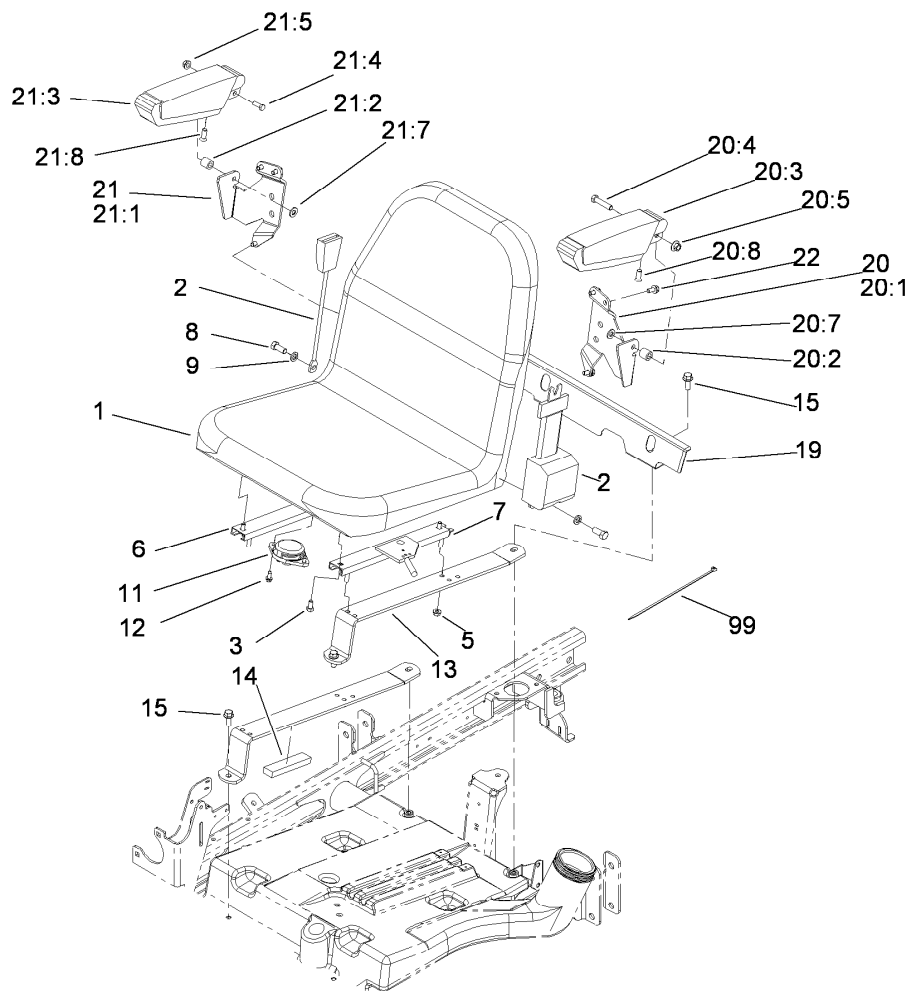
<i>Ref.</i>	<i>Part Number</i>	<i>Qty.</i>	<i>Description</i>	<i>Ref.</i>	<i>Part Number</i>	<i>Qty.</i>	<i>Description</i>
1	132-8621	1	Battery - Corrosive	14		1	Battery Cover ASM ●
2	233-70	2	Knob-Star, Three	14:2	93-7276	1	Decal-Danger
3	32128-43	3	Nut-Flange	14:3	87-7620	1	Shield-Terminal, Battery
4	3230-6	1	Bolt-CARR	14:4	3269-27	4	Rivet-Snap
5	3234-1	3	Screw-HHF	15	95-8817-01	1	Cover-Battery, Inner
6	3256-23	1	Washer-Plain	16	95-8853	1	Cable-Battery, Positive
8	3296-29	1	Nut-Lock, NI	17	95-8854	1	Cable-Battery, Negative
9	66-2490	1	Retainer-Battery	18	32144-4	2	Screw-HWH
11	32144-15	1	Screw-HHFTF	19	32148-6	2	Nut-Clinch
12	94-1410	1	Holder-Can, Beverage	20	99-3513	1	Tray-Battery
13	95-8796-03	1	Support-Battery				

● Not serviced separately



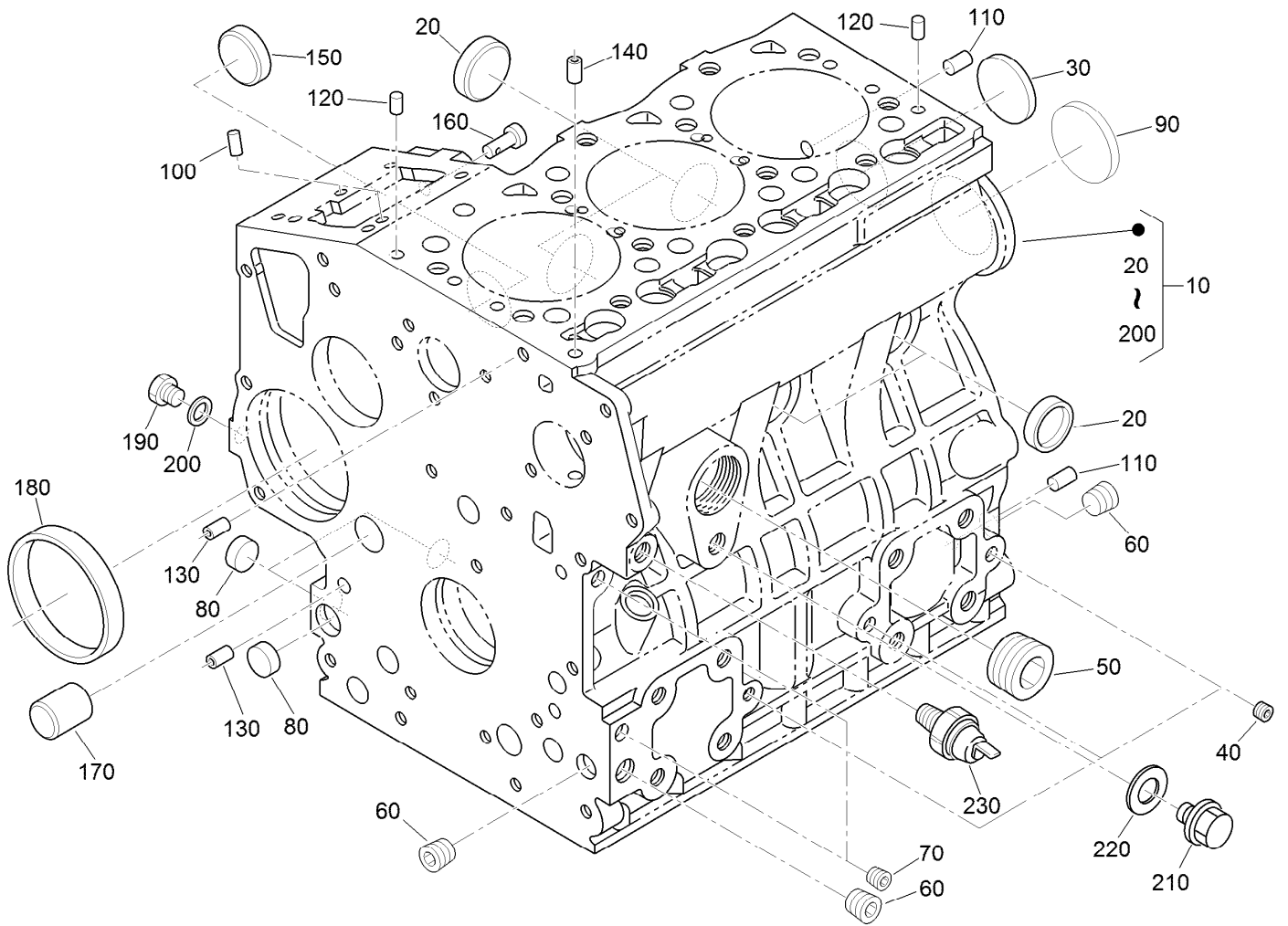
Parking Brake Assembly

<i>Ref.</i>	<i>Part Number</i>	<i>Qty.</i>	<i>Description</i>	<i>Ref.</i>	<i>Part Number</i>	<i>Qty.</i>	<i>Description</i>
1	3269-5	4	Rivet-Pop	14	3289-4	2	Screw-FH
2	95-8707	1	Cover-Dash	15	104-4628-03	2	Link-Brake, Parking
3	95-8763	2	Bracket-Hold Down, Cover	16	283-62	1	Pin-Clevis
4	32128-43	2	Nut-Flange	17	94-3829	1	Pin-Clevis
5	3234-1	2	Screw-HHF	18	104-4817	1	Lever-Brake
6	95-8764-03	1	Support-Magnet	19	87-4710	1	Spacer-Brake, Parking
7	32144-10	4	Screw-HWH	20	32105-9	2	Screw
8	95-8765	2	Bracket-Strike, Magnet	21	95-8900	1	Switch
9	58-4250	2	Catch-Magnetic	23	3256-21	4	Washer-Flat
10	3256-23	3	Washer-Plain	24	3296-9	2	Nut-Hex
11	3296-42	1	Nut-Lock, NI	25	321-10	1	Screw-HH
12	3272-10	1	Pin-Cotter	26	3272-6	1	Pin-Cotter
13	95-8684	1	Pad-Bumper	27	104-7201	2	Nut-HF



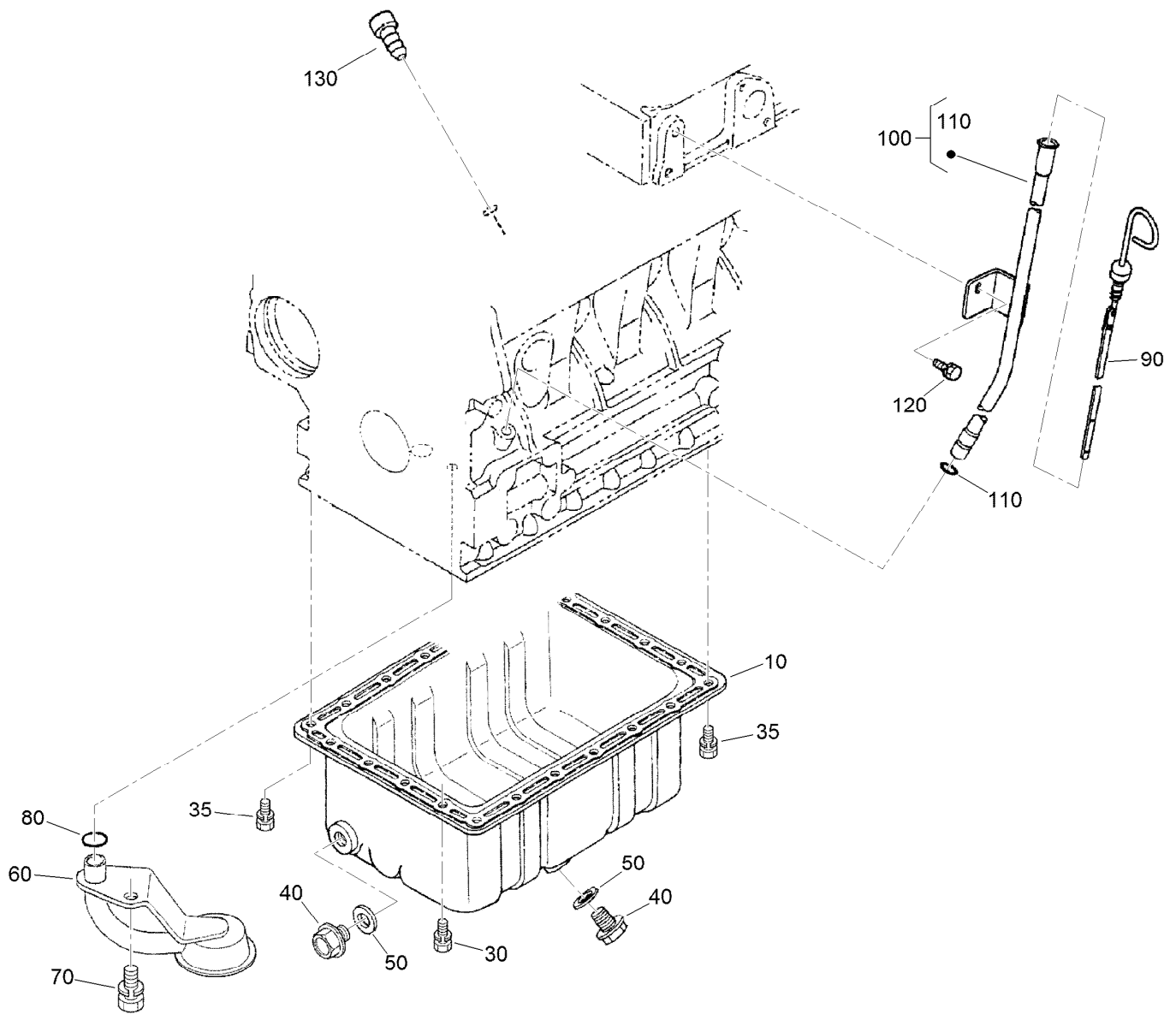
Seat Assembly

<i>Ref.</i>	<i>Part Number</i>	<i>Qty.</i>	<i>Description</i>	<i>Ref.</i>	<i>Part Number</i>	<i>Qty.</i>	<i>Description</i>
1	104-4620	1	Seat	20:2	92-7301	1	Spacer
2	100-4928	1	Belt-Seat	20:3	69-1180	1	Armrest
3	3234-14	4	Screw-HHF	20:4	323-9	1	Screw-HH
5	104-8300	4	Nut-HF, NI	20:5	32128-19	1	Nut-HF
6	92-8990	1	Adjuster-Slave	20:7	3256-24	1	Washer-Flat
7	92-8991	1	Adjuster (W/Latch)	20:8	92-7318	1	Screw
8	3212-4	2	Screw-HH	21	92-7306	1	RH Armrest ASM
9	3253-6	2	Washer-Lock	21:1	69-0770	1	Bracket-Arm, RH
11	92-6282	1	Switch-Seat	21:2	92-7301	1	Spacer
12	32144-10	2	Screw-HWH	21:3	69-1180	1	Armrest
13	104-4847-03	2	Strap-Support, Seat	21:4	323-9	1	Screw-HH
14	95-8896	2	Foam	21:5	32128-19	1	Nut-HF
15	3234-11	4	Screw-HHF	21:7	3256-24	1	Washer-Flat
19	104-4833-03	1	Shield-Heat	21:8	92-7318	1	Screw
20	92-7307	1	LH Armrest ASM	22	3234-14	6	Screw-HHF
20:1	69-0760	1	Bracket-Arm, LH	99	3290-378	1	Tie-Cable



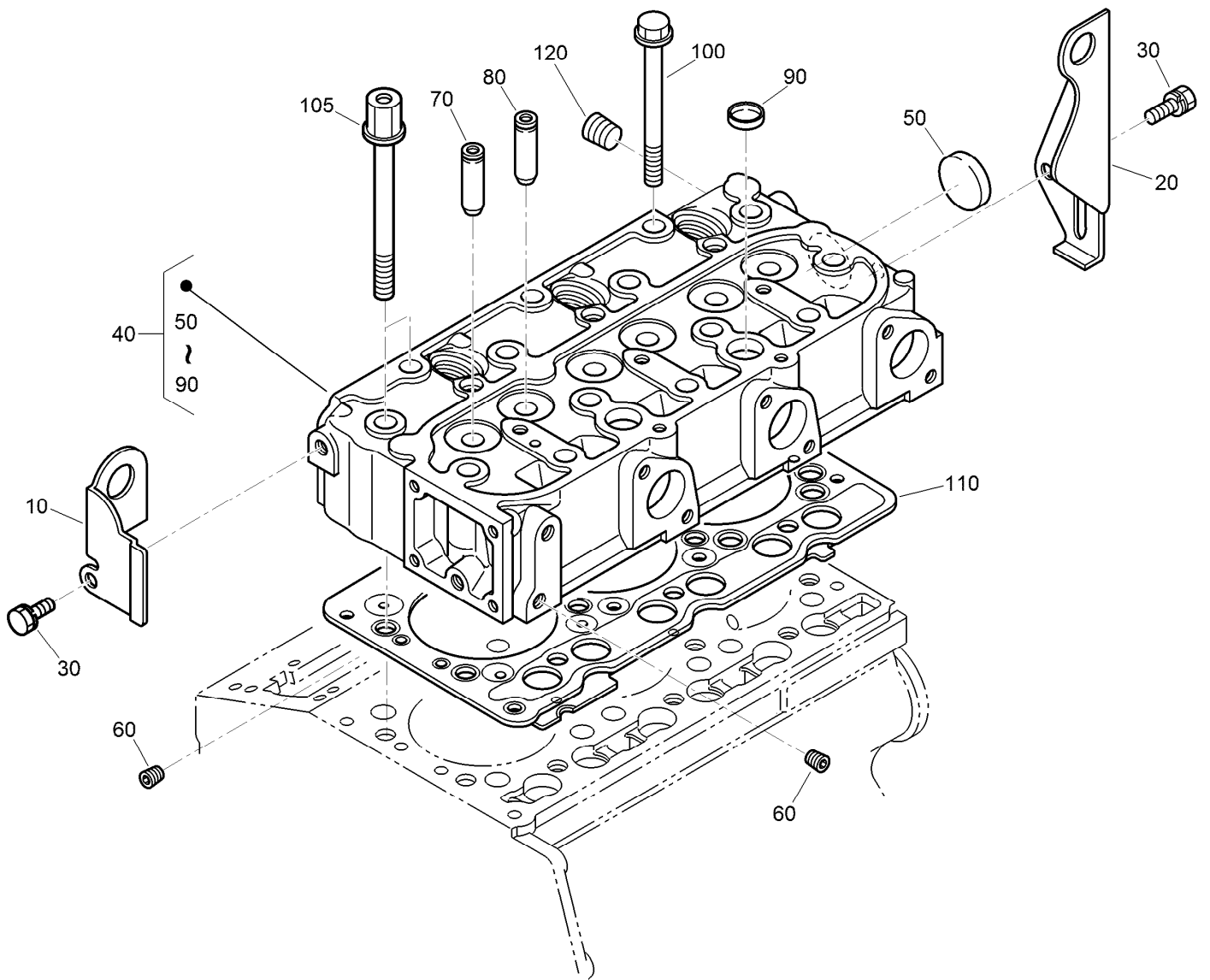
Crankcase Assembly

<i>Ref.</i>	<i>Part Number</i>	<i>Qty.</i>	<i>Description</i>	<i>Ref.</i>	<i>Part Number</i>	<i>Qty.</i>	<i>Description</i>
10	115-3443	1	Crankcase ASM	130	98-9387	2	Pin-Pipe
20	98-9398	4	Cap-Sealing	140	98-9539	1	Pin-Pipe
30	98-7539	1	Cap-Sealing	150	98-9599	1	Plug
40	98-9687	3	Plug	160	98-9630	1	Pin-Spring, Start
50	105-3779	1	Plug	170	98-9675	1	Plug
60	98-9597	3	Plug	180	98-9656	1	Bushing-Governor, Gear
70	98-7487	2	Plug	190	120-2559	1	Plug
80	98-9379	3	Plug-Expansion	200	98-7428	1	Gasket
90	98-9668	1	Plug-Expansion	210	99-3447	1	Plug
100	98-9375	2	Pin-Straight	220	106-7056	1	Gasket
110	98-9377	2	Pin-Straight	230	98-9416	1	Switch-Oil
120	98-9376	2	Pin-Straight				



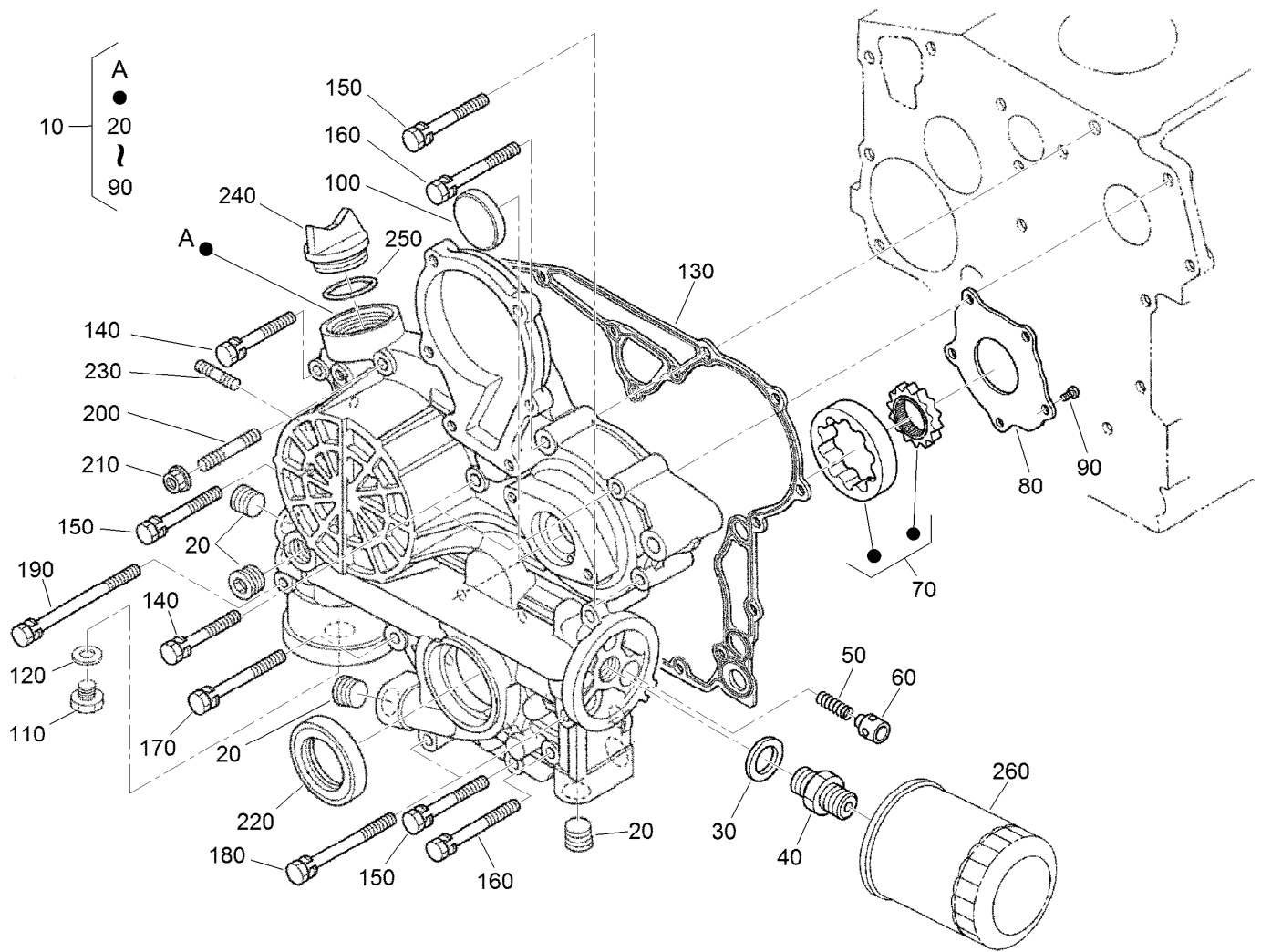
Oil Pan and Dipstick Assembly

Ref.	Part Number	Qty.	Description
10	98-9685	1	Pan-Oil
30	98-9351	20	Bolt
35	98-9351	2	Bolt
40	114-8151	1	Plug-Drain
50	98-7524	1	Gasket
60	108-1401	1	Base-Filter
70	98-7526	1	Bolt
80	105-3776	1	O-Ring
90	98-9670	1	Gauge-Oil
100	98-9672	1	Oil Gauge Guide ASM
110	98-9722	1	O-Ring
120	100-9195	1	Bolt
130	110-3720	1	Plug-Gauge, Oil



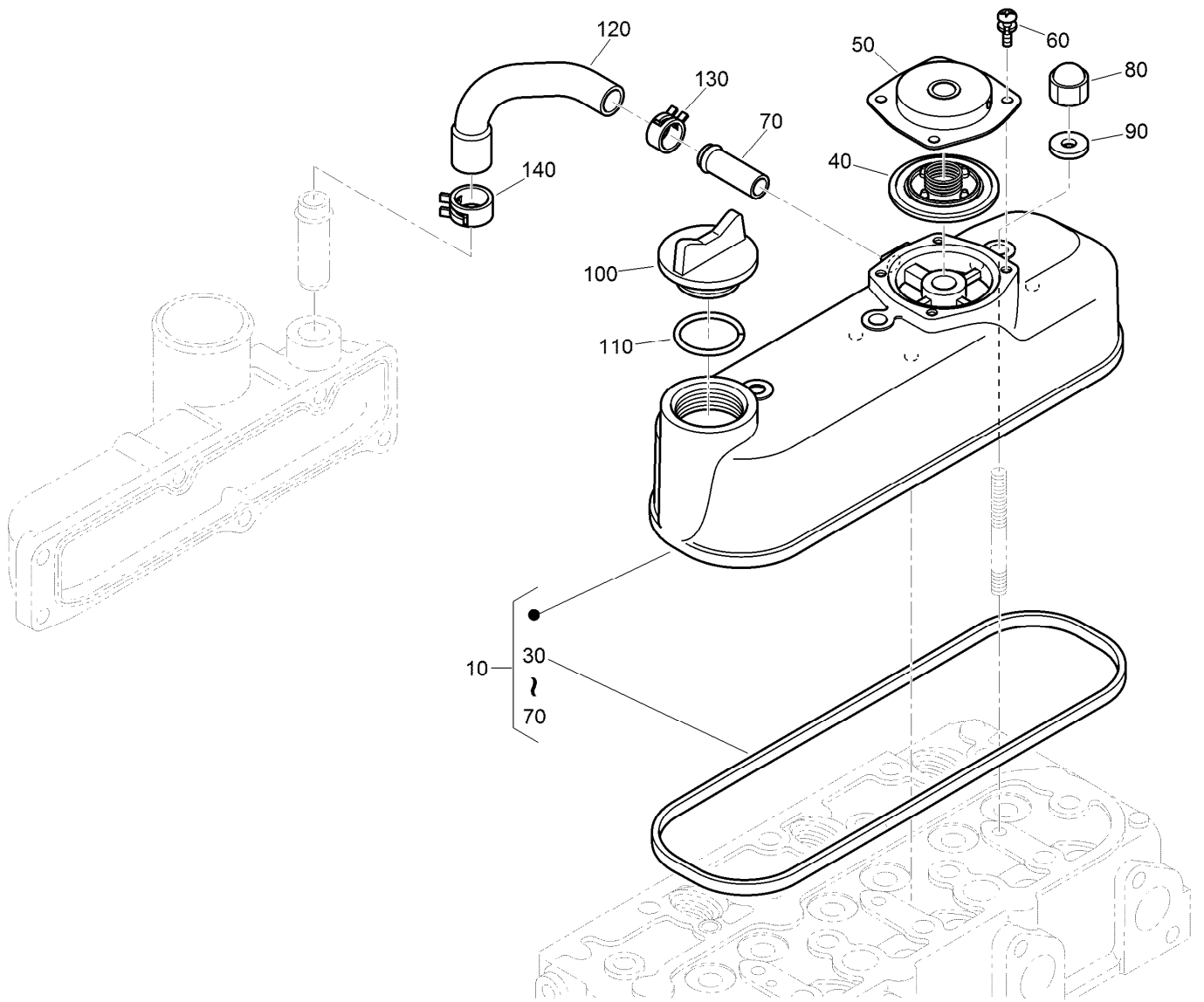
Cylinder Head Assembly

Ref.	Part Number	Qty.	Description
10	130-1231	1	Hook-Engine
20	98-9478	1	Hook-Engine
30	100-9195	2	Bolt
40	138-6997	1	Cylinder Head ASM
50	105-3705	1	Cap-Sealing
60	98-9687	2	Plug
70	107-9066	3	Guide-Valve, Inlet
80	107-9067	3	Guide-Valve, Exhaust
90	98-9389	2	Cap-Sealing
100	98-9479	12	Bolt-Head, Cylinder
105	98-9647	2	Bolt-Head, Cylinder
110	108-6573	1	Gasket-Head, Cylinder
120	98-9444	1	Plug



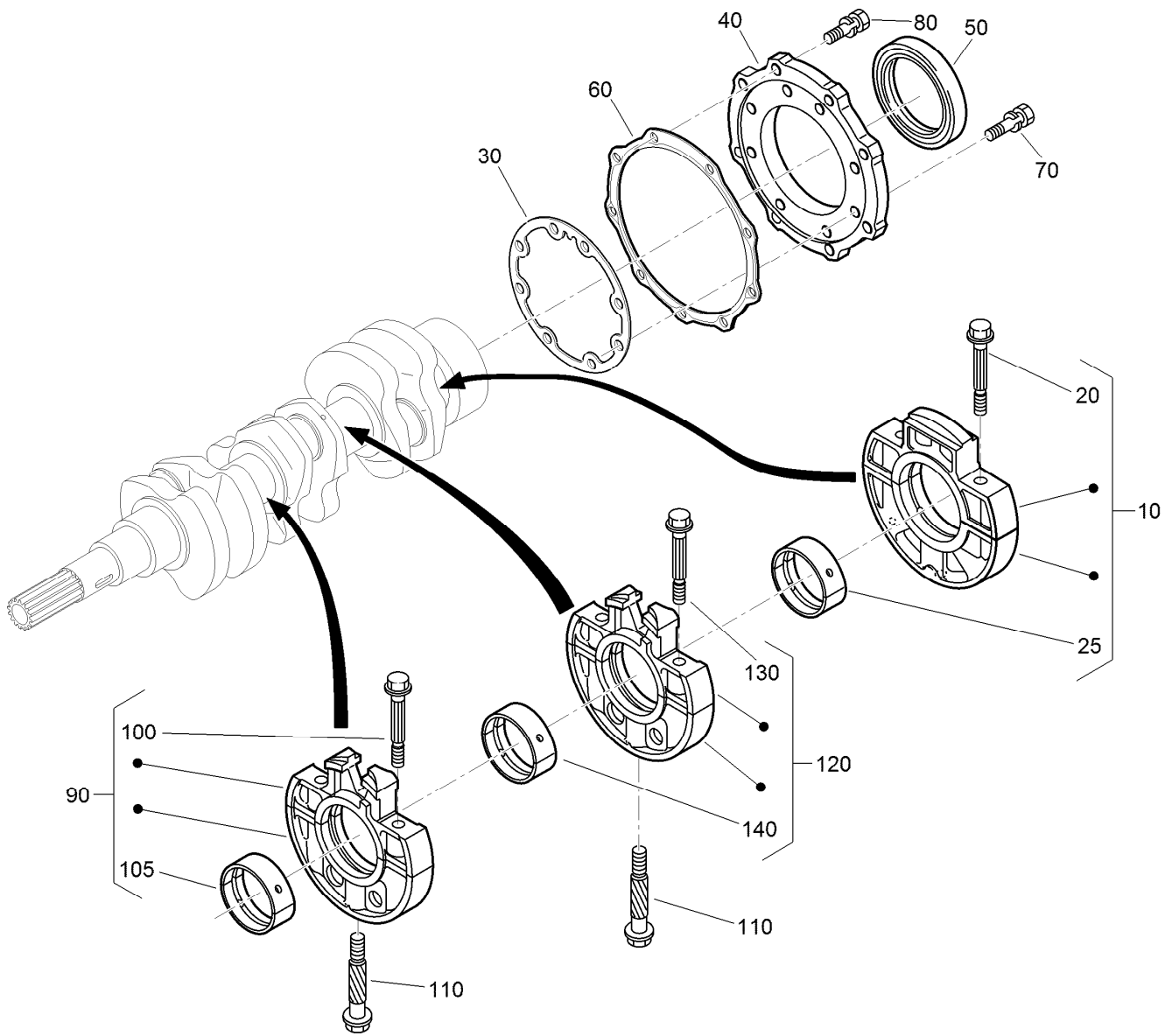
Gear Case and Oil Filter Cartridge Assembly

Ref.	Part Number	Qty.	Description	Ref.	Part Number	Qty.	Description
10	115-3442	1	Comp Gear Case	140	100-1765	3	Bolt
20	127-0425	5	Plug	150	125-9063	4	Bolt-Sems
30	98-7562	1	Washer-Plain	160	98-9356	2	Bolt
40	98-9388	1	Joint-Pipe	170	98-9437	1	Bolt
50	130-1511	1	Spring	180	98-9586	2	Bolt
60	130-1510	1	Valve-Relief	190	99-3511	1	Bolt
70	130-1508	1	Rotor ASM	200	105-3709	1	Stud
80	130-1509	1	Cover-Pump, Oil	210	100-2203	1	Nut-Flange
90	130-1164	5	Screw-Binding	220	119-8038	1	Seal-Oil
100	99-3515	1	Plug-Gearcase	230	105-3710	2	Stud
110	99-3450	1	Plug	240	107-9075	1	Plug-Filler, Oil
120	99-3451	1	Plug-Packing	250	99-3446	1	O-Ring
130	98-9633	1	Gasket-Case, Gear	260	127-0511	1	Filter-Oil



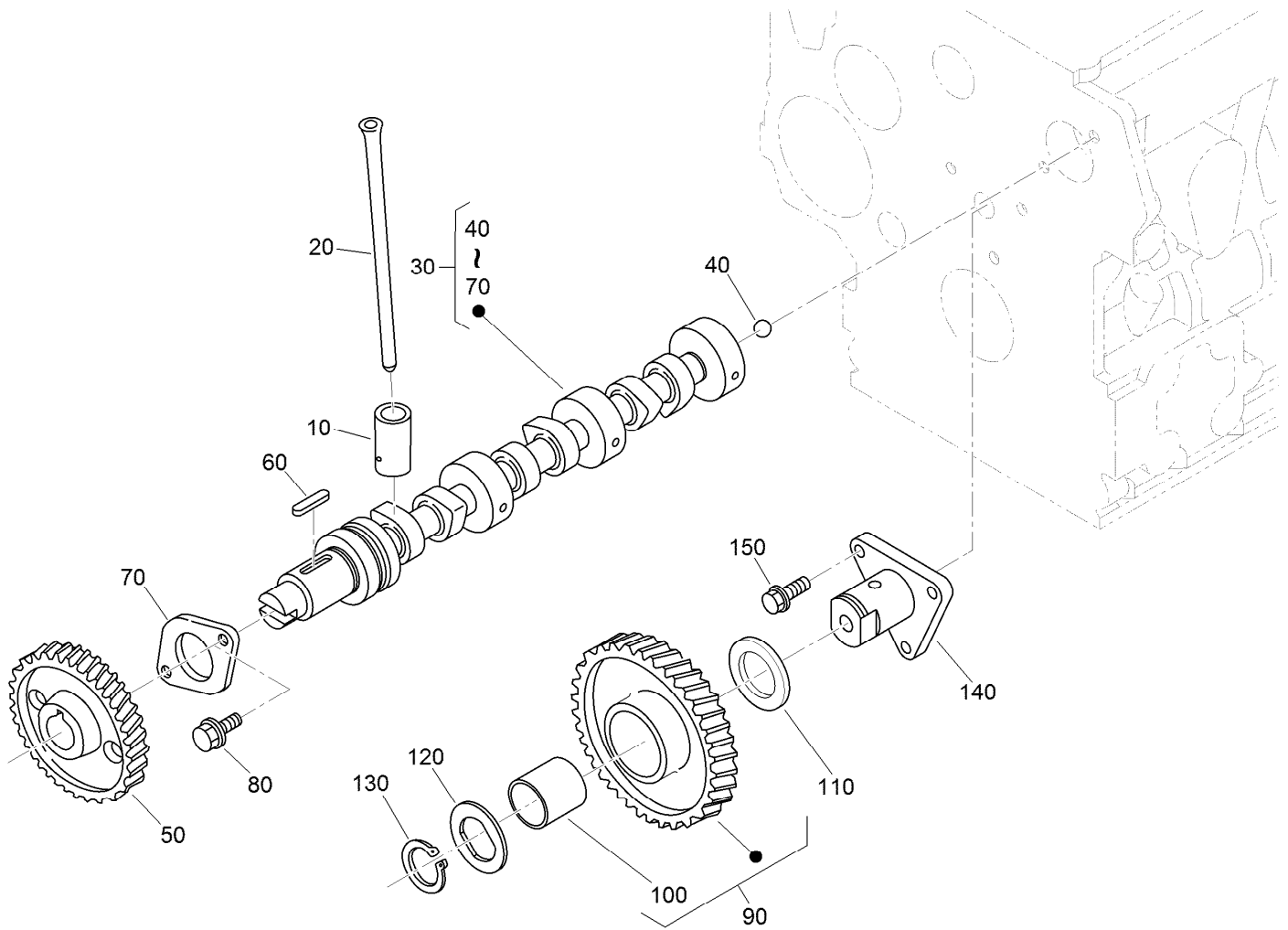
Cylinder Head Cover Assembly

<i>Ref.</i>	<i>Part Number</i>	<i>Qty.</i>	<i>Description</i>
10	130-1372	1	Cylinder Head Cover ASM
30	98-9615	1	Gasket-Cover, Head
40	110-3715	1	Valve-Breather
50	110-3714	1	Cover-Breather
60	98-9364	4	Screw (With Washer)
70	98-7766	1	Pipe-Return, Water
80	98-9455	3	Nut-Cap
90	98-9454	3	Gasket
100	107-9075	1	Plug-Filler, Oil
110	99-3446	1	O-Ring
120	107-7836	1	Tube-Breather
130	108-2859	1	Clamp-Hose
140	108-2860	1	Clamp-Hose



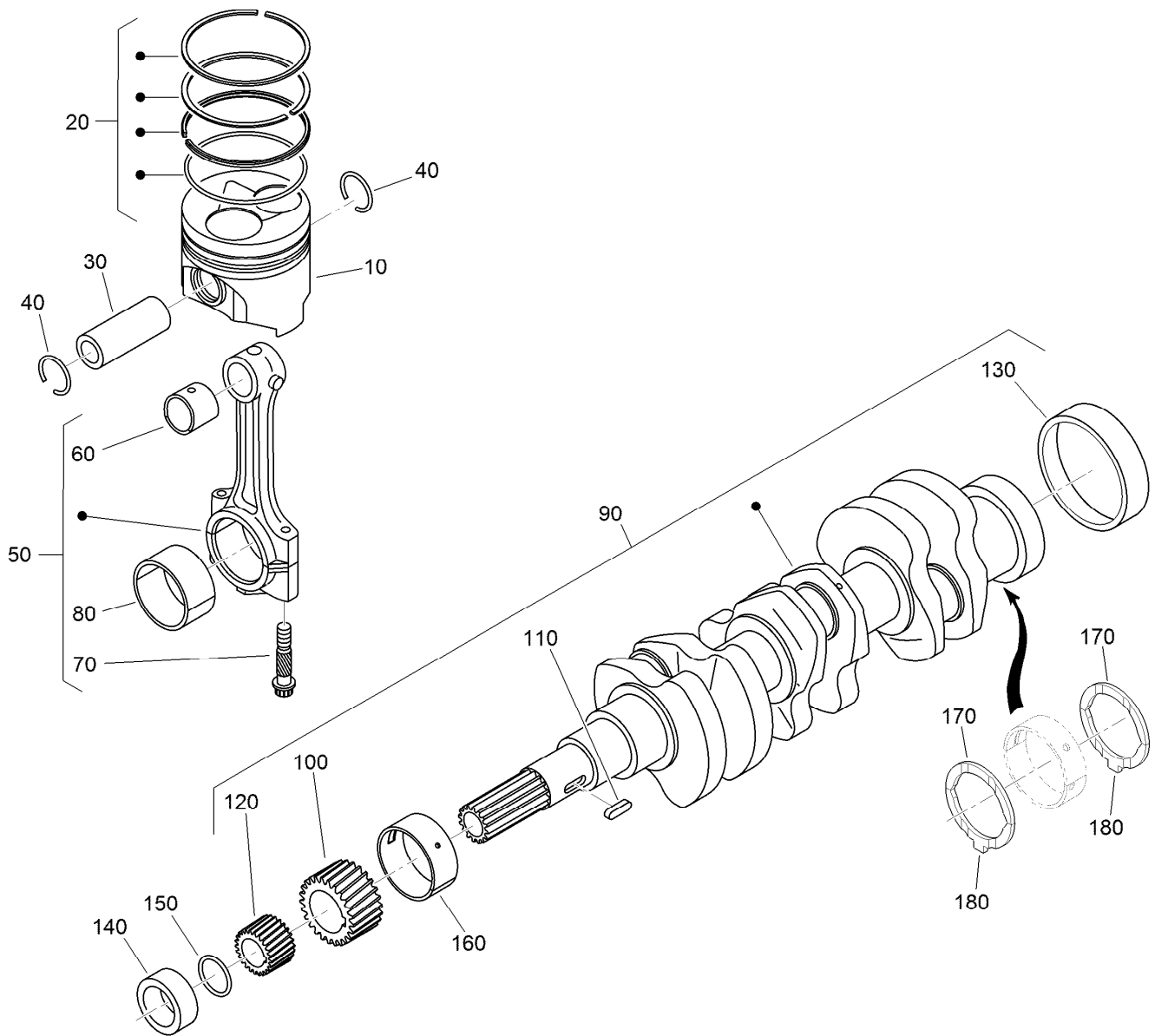
Main Bearing Case Assembly

<i>Ref.</i>	<i>Part Number</i>	<i>Qty.</i>	<i>Description</i>	<i>Ref.</i>	<i>Part Number</i>	<i>Qty.</i>	<i>Description</i>
10	112-7026	1	Wheel Bearing Case ASM	90	115-4106	1	Main Bearing Case ASM
20	98-9484	2	Bolt-Case, Bearing	100	98-9484	2	Bolt-Case, Bearing
25	115-4121	1	Metal-Crankshaft (STD)	105	98-9524	1	Metal-Crankshaft (STD Set)
25	112-7039	1	Metal-Crankshaft (0.2Mm)	105	127-0433	1	Metal-Crankshaft (-0.2Mm)
25	112-7040	1	Metal-Crankshaft (-0.4Mm)	105	98-9531	1	Bearing-Main (0.4Mm)
30	127-0440	1	Gasket-Case, Bearing	110	98-9485	2	Bolt-Case, Bearing
40	112-7046	1	Cover-Case, Bearing	120	115-4107	1	Main Bearing Case ASM
50	112-0180	1	Seal-Oil	130	98-9484	2	Bolt-Case, Bearing
60	112-7037	1	Gasket-Cover, Case	140	98-9524	1	Metal-Crankshaft (STD Set)
70	127-0441	8	Bolt	140	127-0433	1	Metal-Crankshaft (-0.2Mm)
80	127-0442	9	Bolt	140	98-9531	1	Bearing-Main (0.4Mm)



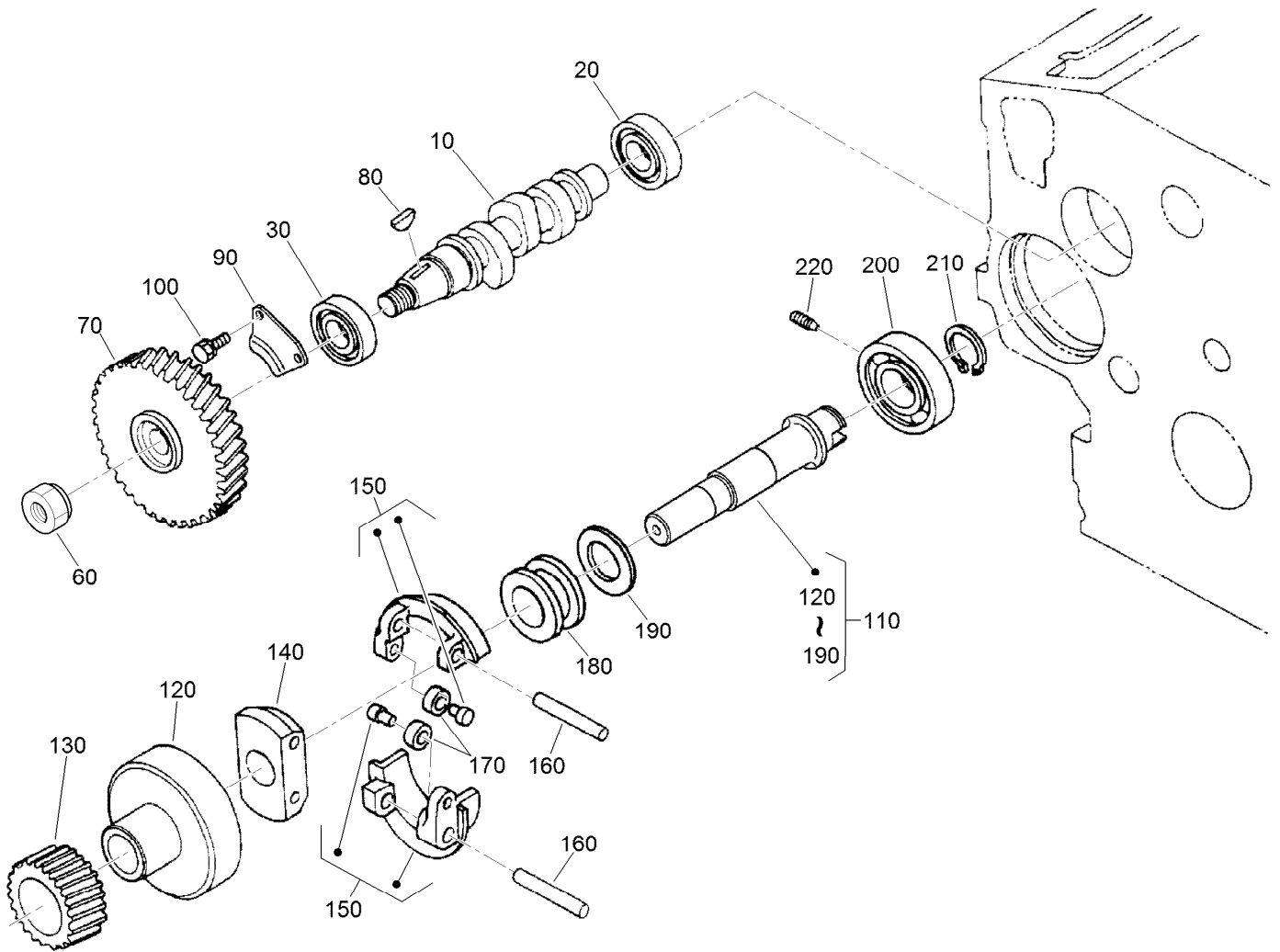
Camshaft and Idle Gear Shaft Assembly

Ref.	Part Number	Qty.	Description
10	112-0185	6	Tappet
20	127-0421	6	Rod-Push
30	130-1505	1	Camshaft ASM
40	110-3729	1	Ball
50	98-9512	1	Gear-Cam
60	98-9378	1	Key-Feather
70	98-9510	1	Stopper-Camshaft
80	98-7692	2	Bolt
90	117-7584	1	Idler Gear ASM
100	117-7585	1	Bushing-Gear, Idle
110	98-9535	1	Collar-Gear, Idle
120	98-9536	1	Collar-Gear, Idle
130	98-9534	1	Circlip-Gear, Idle
140	98-9533	1	Shaft-Gear, Idle
150	98-7692	3	Bolt



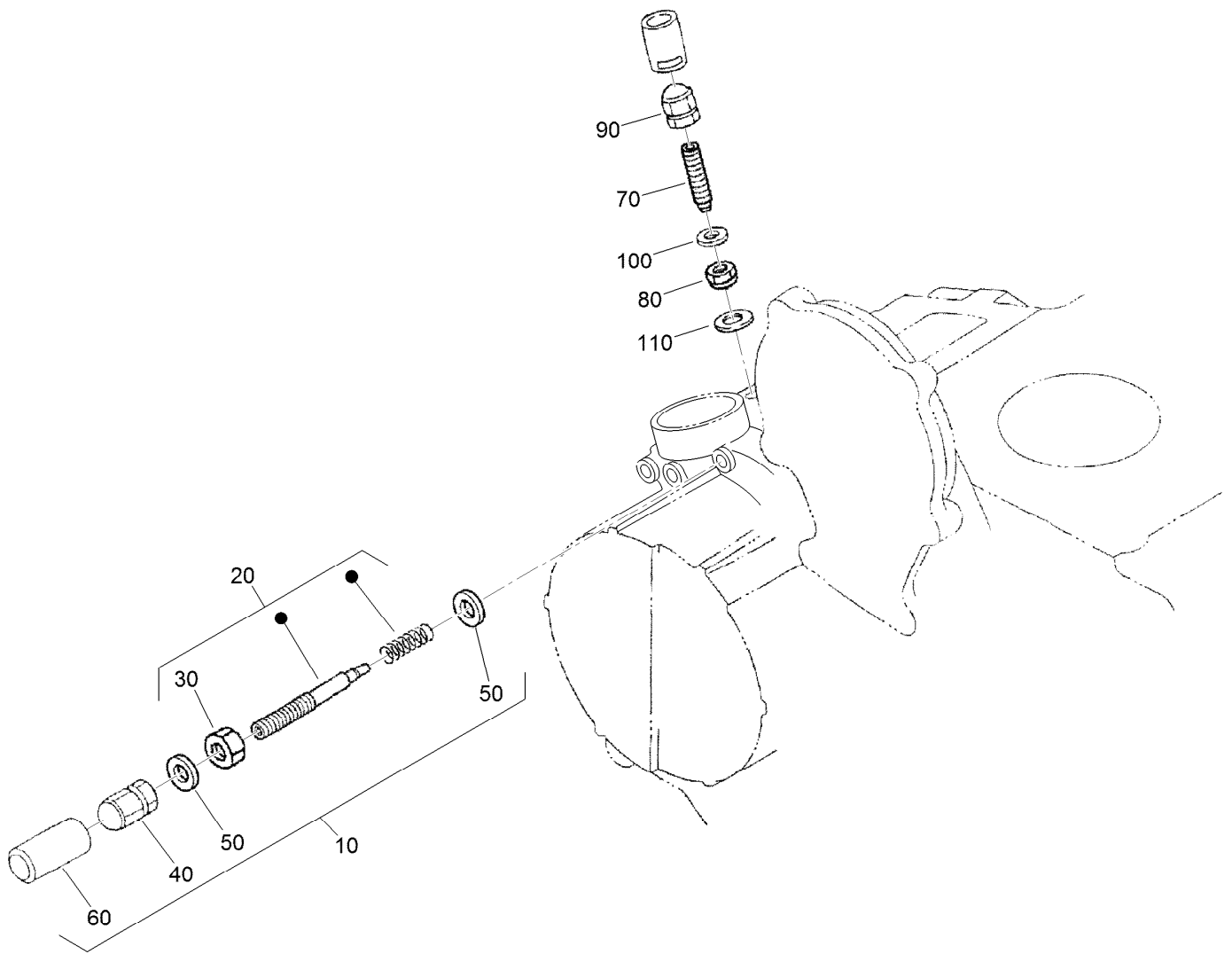
Piston and Crankshaft Assembly

<i>Ref.</i>	<i>Part Number</i>	<i>Qty.</i>	<i>Description</i>	<i>Ref.</i>	<i>Part Number</i>	<i>Qty.</i>	<i>Description</i>
10	130-1546	3	Piston (STD)	110	98-9666	1	Key
10	130-1549	3	Piston (+0.50Mm)	120	127-0445	1	Gear-Drive, Oil Pump
20	130-1506	3	Piston Ring ASM (STD)	130	98-9522	1	Sleeve-Crankshaft
20	130-1507	3	Piston Ring ASM (+0.50Mm)	140	127-0444	1	Collar-Crankshaft
30	98-9513	3	Pin-Piston	150	105-3783	1	O-Ring
40	98-9514	6	Circlip-Pin, Piston	160	112-7005	1	Bearing-Main (STD)
50	117-7586	3	Connecting Rod ASM	160	98-9528	1	Bearing-Main (-0.2Mm)
60	115-3014	3	Bushing-Pin, Piston	160	130-1274	1	Metal-Crankshaft (-0.40Mm)
70	98-9517	6	Bolt-Rod, Connecting	170	98-9413	2	Bearing-Thrust (STD)
80	98-9553	3	Bearing-Rod (STD)	170	127-0416	2	Metal-Side (+0.2Mm)
80	98-9519	3	Bearing-Rod (-0.2Mm)	170	127-0417	2	Metal-Side (+0.40Mm)
80	117-7588	3	Metal-Crankpin (-0.4Mm)	180	98-9688	2	Bearing-Thrust (STD)
90	130-1375	1	Crankshaft ASM	180	127-0437	2	Metal-Side (+0.2Mm)
100	117-7561	1	Gear-Crankshaft	180	127-0438	2	Metal-Side (+0.40Mm)



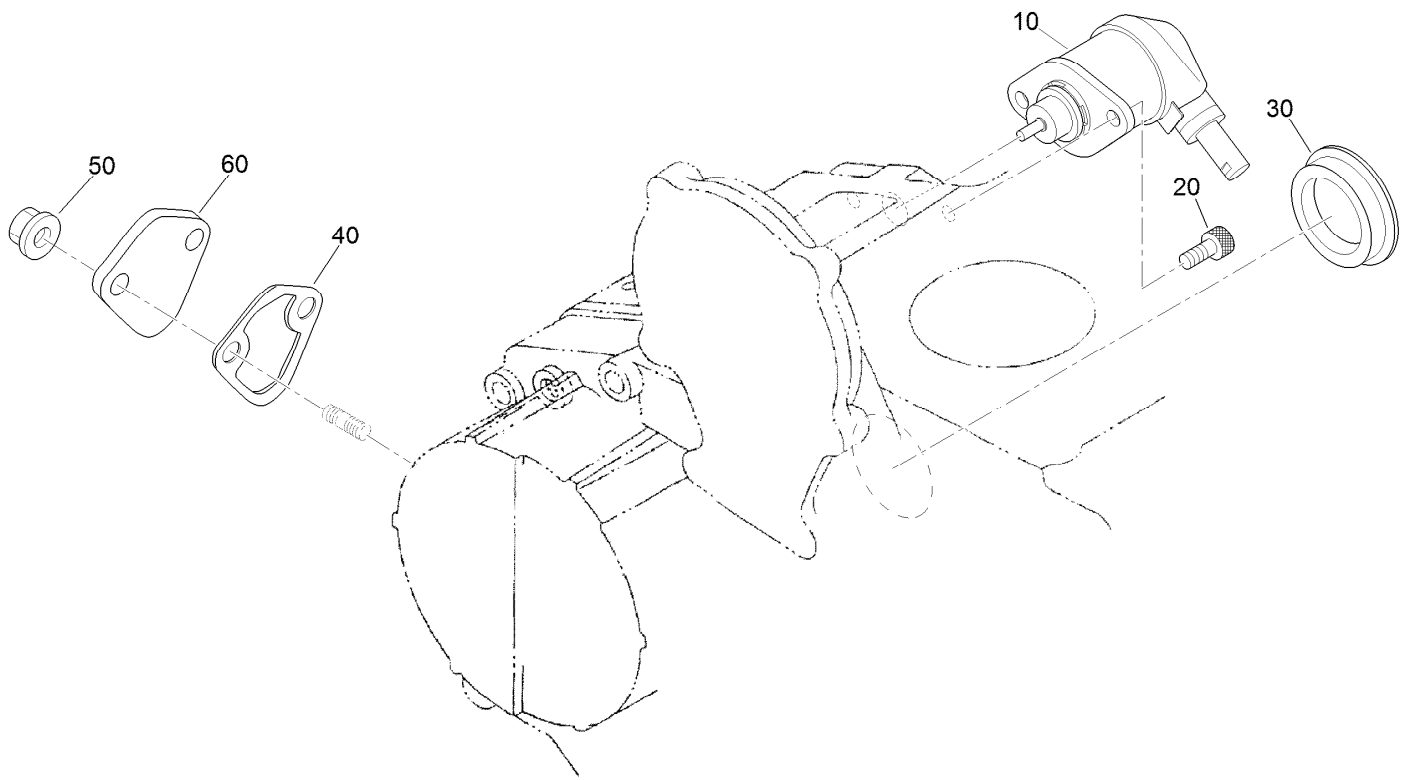
Fuel Camshaft and Governor Shaft Assembly

<i>Ref.</i>	<i>Part Number</i>	<i>Qty.</i>	<i>Description</i>	<i>Ref.</i>	<i>Part Number</i>	<i>Qty.</i>	<i>Description</i>
10	98-9459	1	Camshaft-Fuel	130	98-9673	1	Gear-Governor
20	107-9077	1	Bearing-Ball	140	98-9561	1	Holder-Weight, Governor
30	107-9078	1	Bearing-Ball	150	130-1240	2	Governor Weight ASM
60	130-1512	1	Nut	160	98-9560	2	Shaft-Weight, Governor
70	130-1378	1	Gear-Injection Pump	170	98-9692	2	Roller
80	98-9595	1	Key-Woodruff	180	98-9563	1	Sleeve-Governor
90	98-9511	1	Stopper-Fuel, Camshaft	190	98-9564	1	Washer-Thrust
100	98-7692	2	Bolt	200	107-9079	1	Bearing-Ball
110	130-1255	1	Governor Shaft ASM	210	98-9657	1	Circlip-Shaft, Governor
120	98-9562	1	Holder-Gear, Governor	220	98-9565	1	Screw-Set



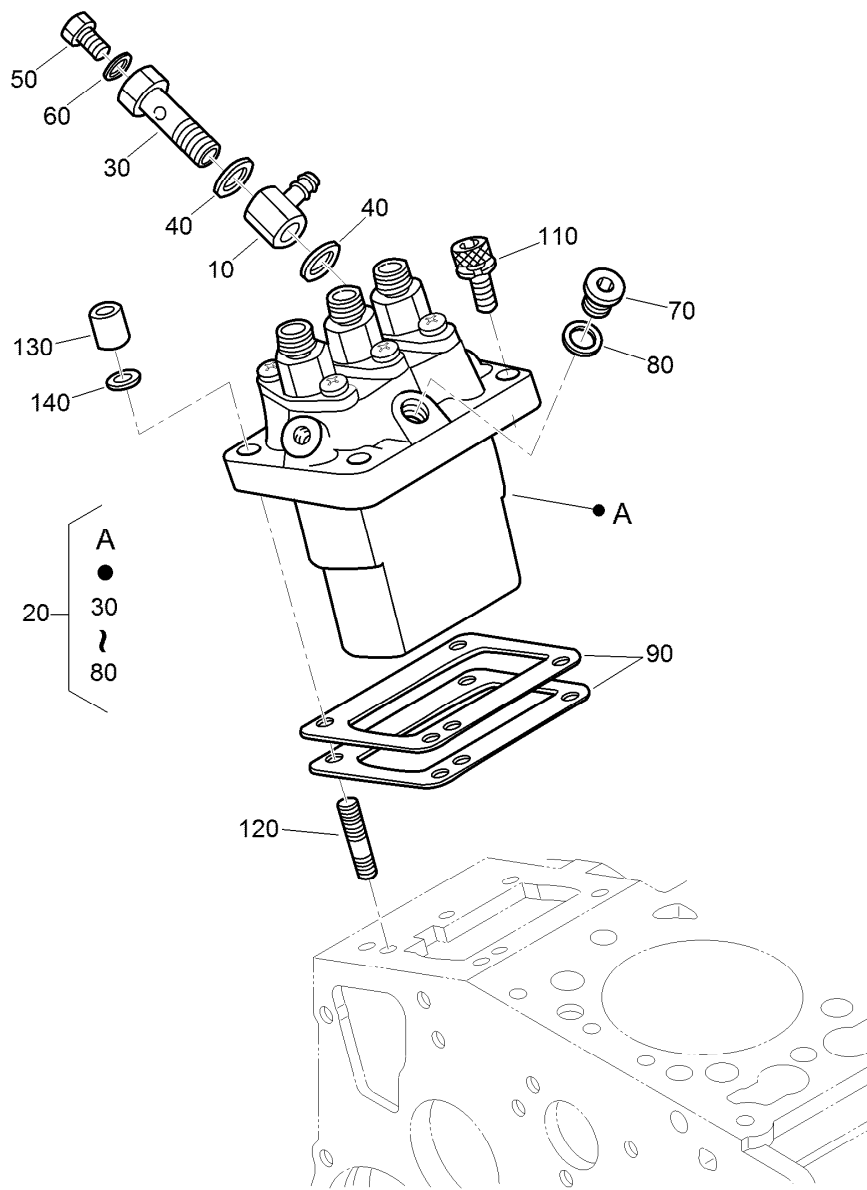
Idle Apparatus Assembly

<i>Ref.</i>	<i>Part Number</i>	<i>Qty.</i>	<i>Description</i>
10	107-7838	1	Apparatus-Idling
20	130-1253	1	Adjusting Bolt ASM
30	98-9439	1	Nut
40	112-0181	1	Nut
50	98-7654	2	Gasket
60	98-7656	1	Cap
70	112-7015	1	Bolt-Adjusting
80	100-2175	1	Nut-Lock
90	112-0181	1	Nut
100	98-7654	1	Gasket
110	107-9081	1	Gasket



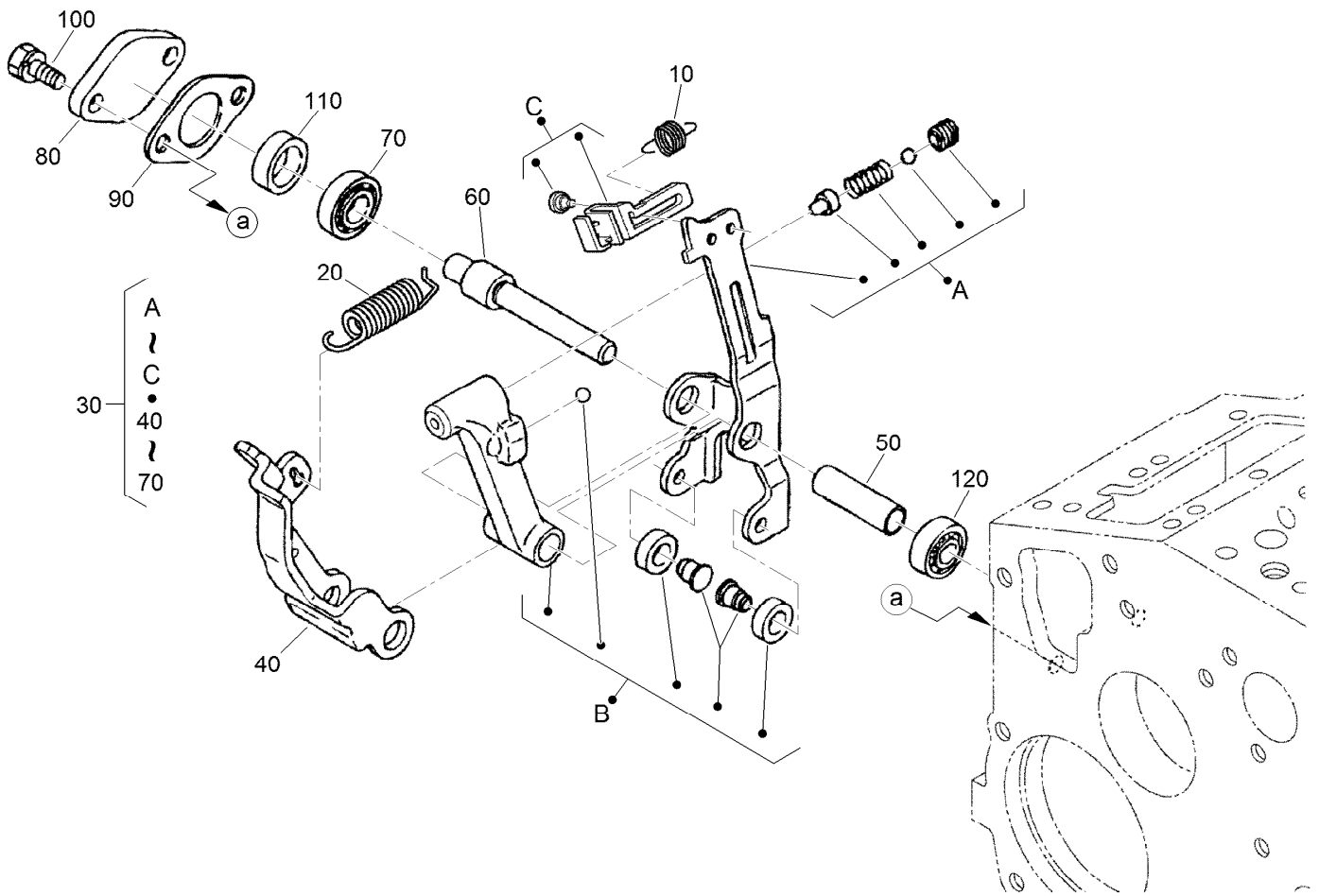
Stop Solenoid and Fuel Pump Cover Assembly

<i>Ref.</i>	<i>Part Number</i>	<i>Qty.</i>	<i>Description</i>
10	104-5155	1	Solenoid-Stop
20	130-1155	2	Screw-HSH
30	99-3514	1	Cover
40	117-7562	1	Gasket-Pump, Fuel
50	100-2203	2	Nut-Flange
60	112-7016	1	Cover-Pump



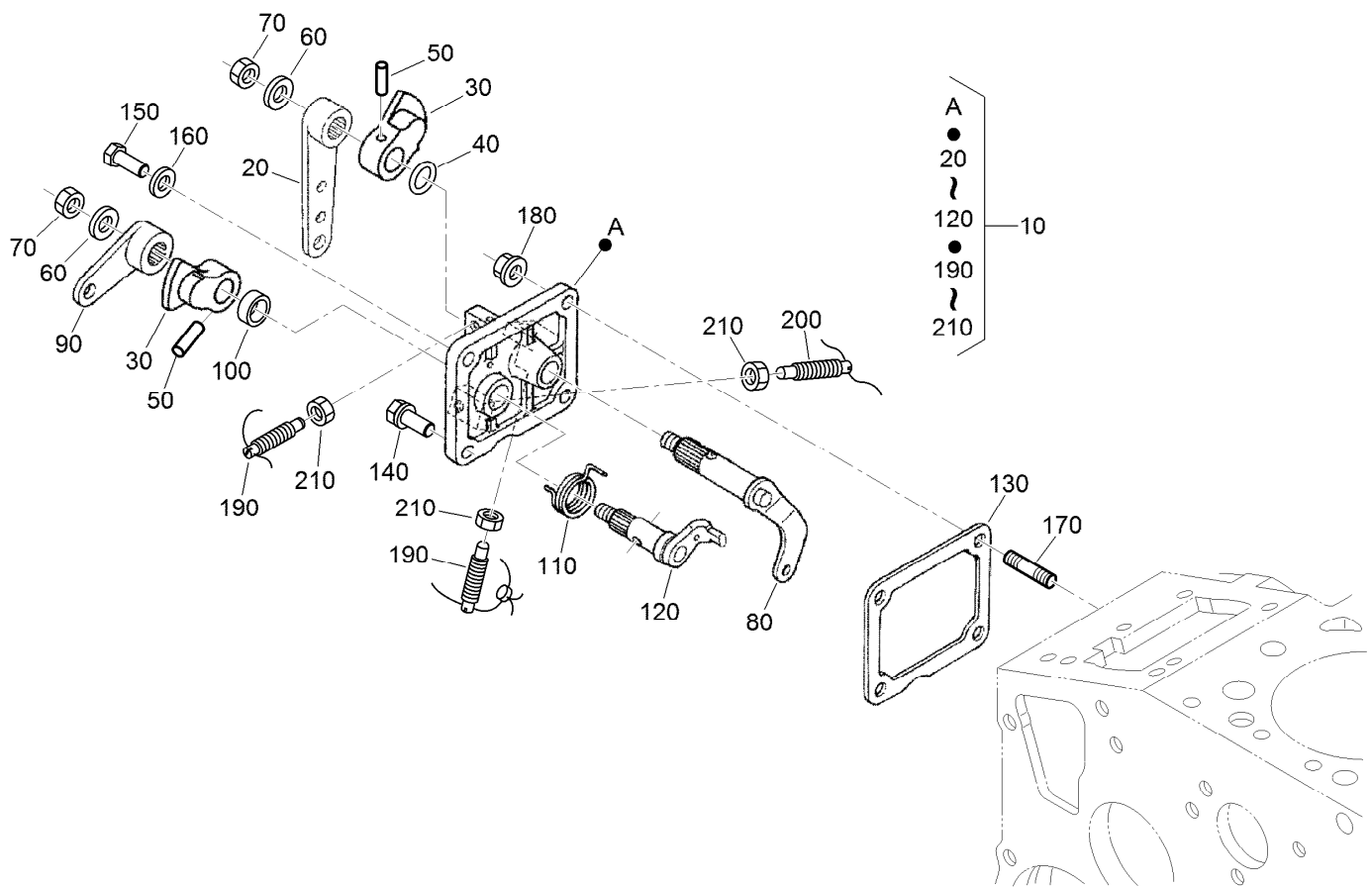
Injection Pump Assembly

<i>Ref.</i>	<i>Part Number</i>	<i>Qty.</i>	<i>Description</i>	<i>Ref.</i>	<i>Part Number</i>	<i>Qty.</i>	<i>Description</i>
10	98-9596	1	Joint-Eye	90	98-9457	1	Shim-Injection (0.25Mm)
20	98-9643	1	Injection Pump ASM	90	98-9458	1	Shim-Injection (0.30Mm)
30	98-9464	1	Bolt-Joint	90	115-3046	1	Shim-Injection (0.35Mm)
40	98-9445	2	Gasket	90	115-3045	1	Shim-Injection (0.175Mm)
50	98-9430	1	Screw	110	117-7564	2	Bolt-Hex Soc HD
60	98-9446	1	Gasket	120	98-9438	2	Stud
70	98-9466	1	Plug	130	98-9440	2	Nut-Cap
80	98-9451	1	Gasket	140	98-7699	2	Washer-Spring
90	98-9456	1	Shim-Injection (0.20Mm)				



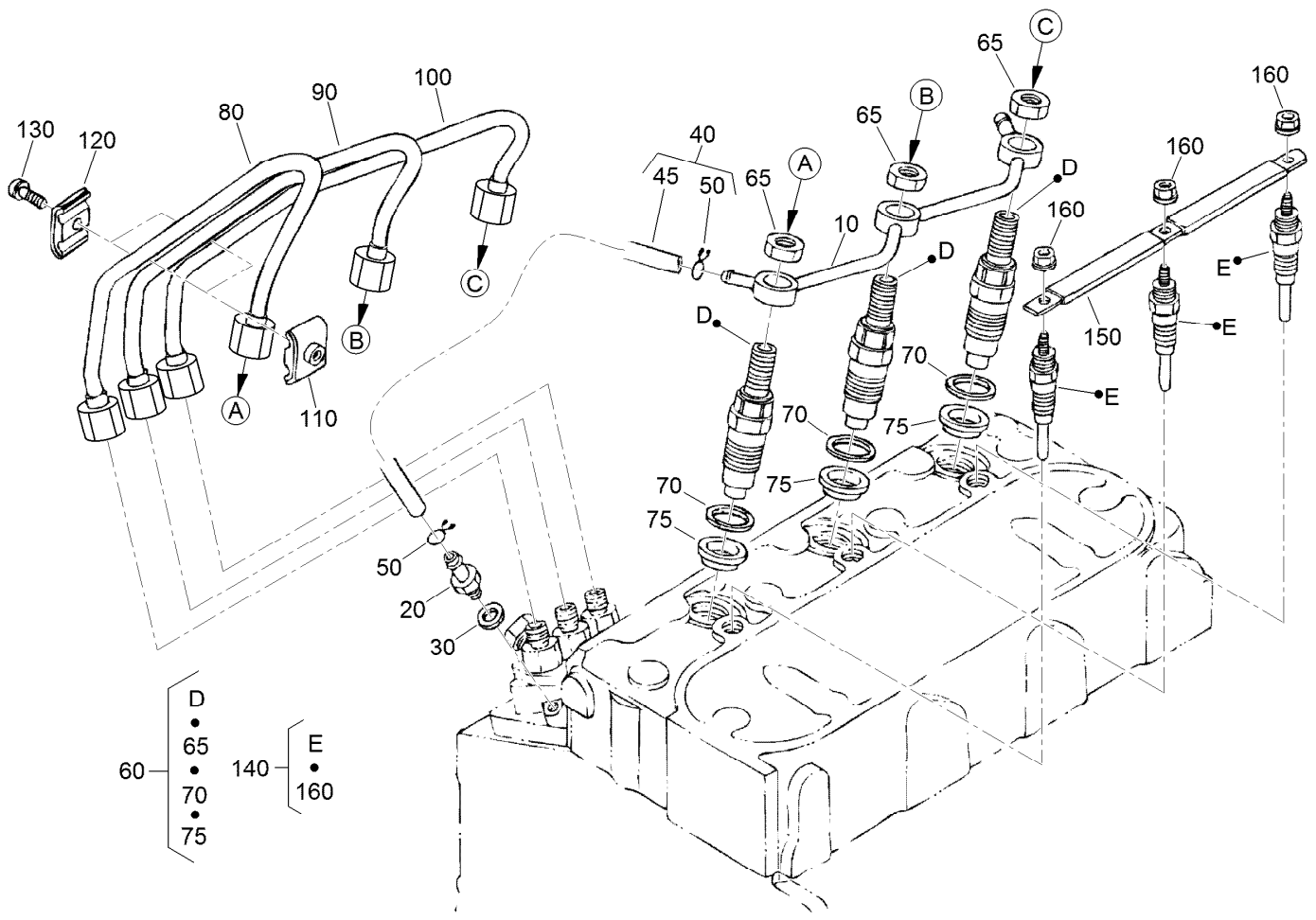
Governor Assembly

Ref.	Part Number	Qty.	Description
10	105-3786	1	Spring-Start
20	107-7839	1	Spring-Governor
30	107-7840	1	Fork Lever ASM
40	107-9084	1	Lever-Fork
50	107-9085	1	Shaft-Lever, Fork
60	107-9086	1	Shaft-Lever, Fork
70	98-9570	1	Bearing-Miniaturize
80	115-4122	1	Cover-Shaft, Fork Lever
90	98-9682	1	Gasket
100	98-9350	2	Bolt
110	98-9567	1	Collar
120	98-9571	1	Bearing-Miniaturize



Speed Control Plate Assembly

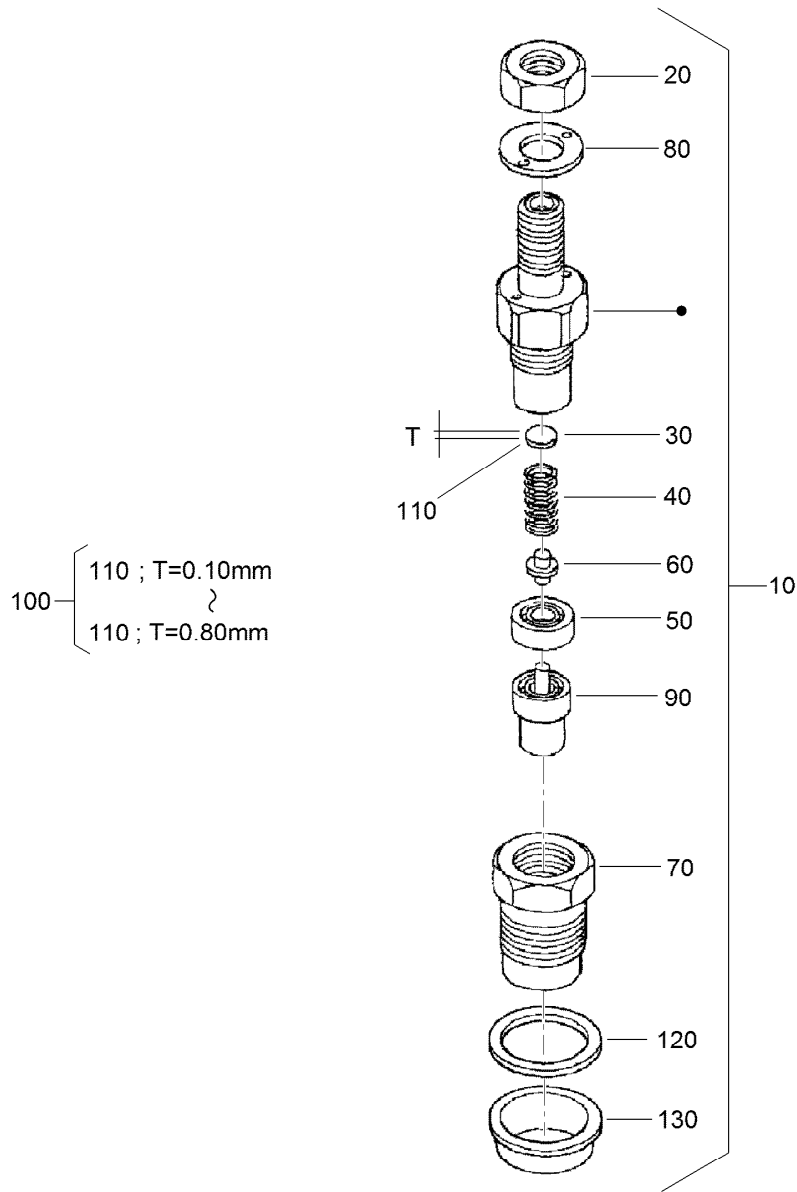
<i>Ref.</i>	<i>Part Number</i>	<i>Qty.</i>	<i>Description</i>	<i>Ref.</i>	<i>Part Number</i>	<i>Qty.</i>	<i>Description</i>
10	105-3735	1	Control Plate ASM	120	98-9664	1	Shaft-Lever, Stop
20	98-9662	1	Lever-Control, Speed	130	98-9637	1	Gasket
30	98-9572	2	Lever-Control, Speed	140	98-7692	1	Bolt
40	105-3788	1	O-Ring	150	127-0401	1	Bolt-Hex
50	98-7602	2	Pin-Spring	160	98-7654	1	Gasket
60	98-9594	2	Washer-Plain	170	105-3710	2	Stud
70	98-9589	2	Nut	180	100-2203	2	Nut-Flange
80	98-9658	1	Governor Lever ASM	190	117-7565	2	Bolt-Adjusting
90	98-9663	1	Lever-Stop, Engine	200	117-7566	1	Bolt-Adjusting
100	98-7601	1	Seal-Oil	210	98-7572	3	Nut
110	98-9472	1	Spring-Return				



Nozzle Holder and Glow Plug Assembly

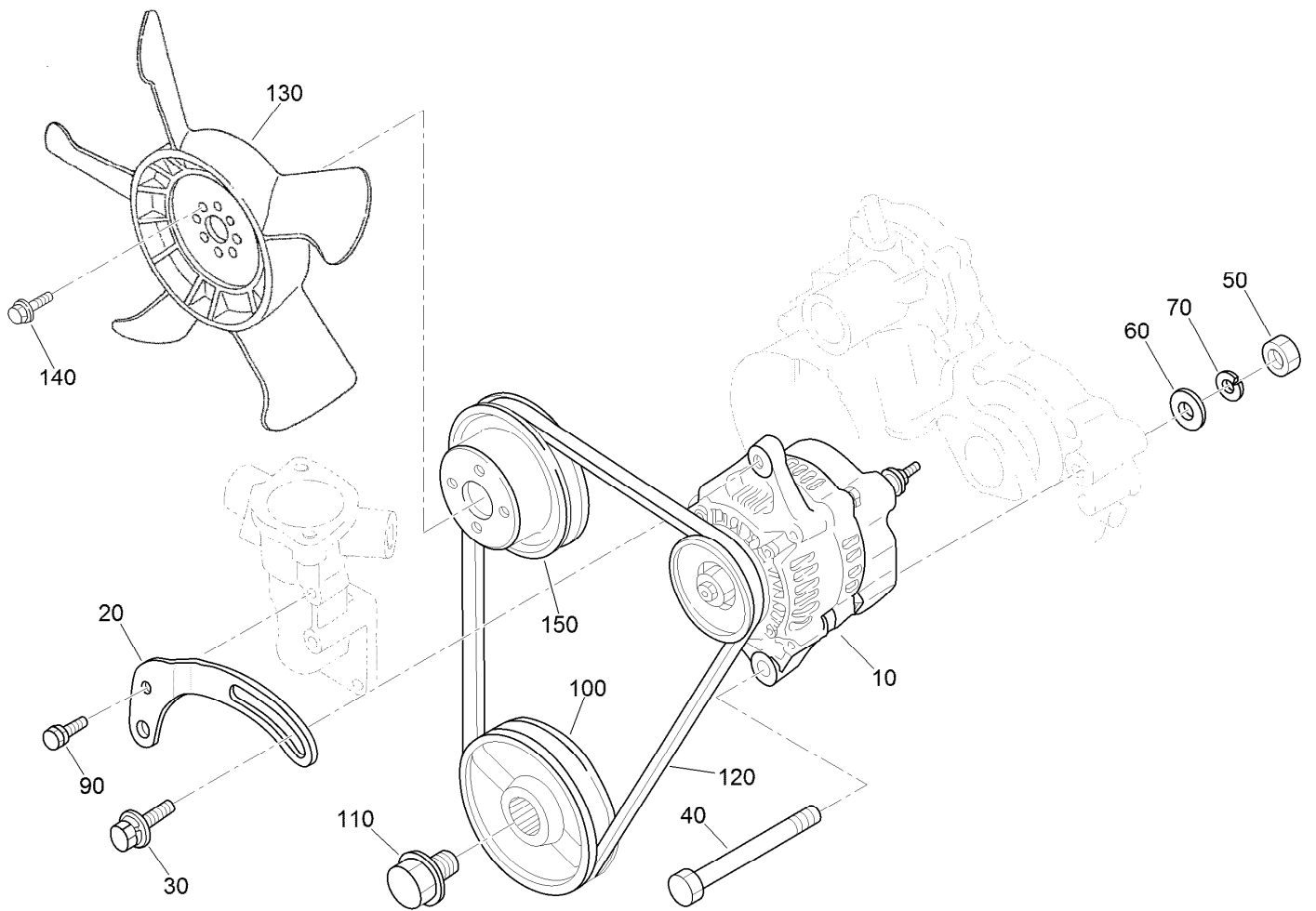
<i>Ref.</i>	<i>Part Number</i>	<i>Qty.</i>	<i>Description</i>
10	98-9620	1	Overflow Pipe ASM
20	98-9431	1	Screw-Bleeder, Air
30	98-7654	1	Gasket
40	98-9420	1	Overflow Pipe ASM
45	112-0182	1	Pipe-Overflow
50	98-7671	2	Clip-Pipe
60	115-3018	3	Nozzle Holder Kit
65	121-2411	3	Nut
70	98-7676	3	Gasket
75	98-7677	3	Seal-Heat

<i>Ref.</i>	<i>Part Number</i>	<i>Qty.</i>	<i>Description</i>
80	98-9622	1	Pipe-Injection
90	98-9654	1	Pipe-Injection
100	98-9655	1	Pipe-Injection
110	98-7682	2	Clamp-Pipe
120	98-7683	2	Clamp-Pipe
130	98-7684	2	Screw (W/Washer)
140	130-1411	3	Plug-Glow
150	98-9631	1	Cord-Plug, Glow
160	99-8377	3	Nut-Flange



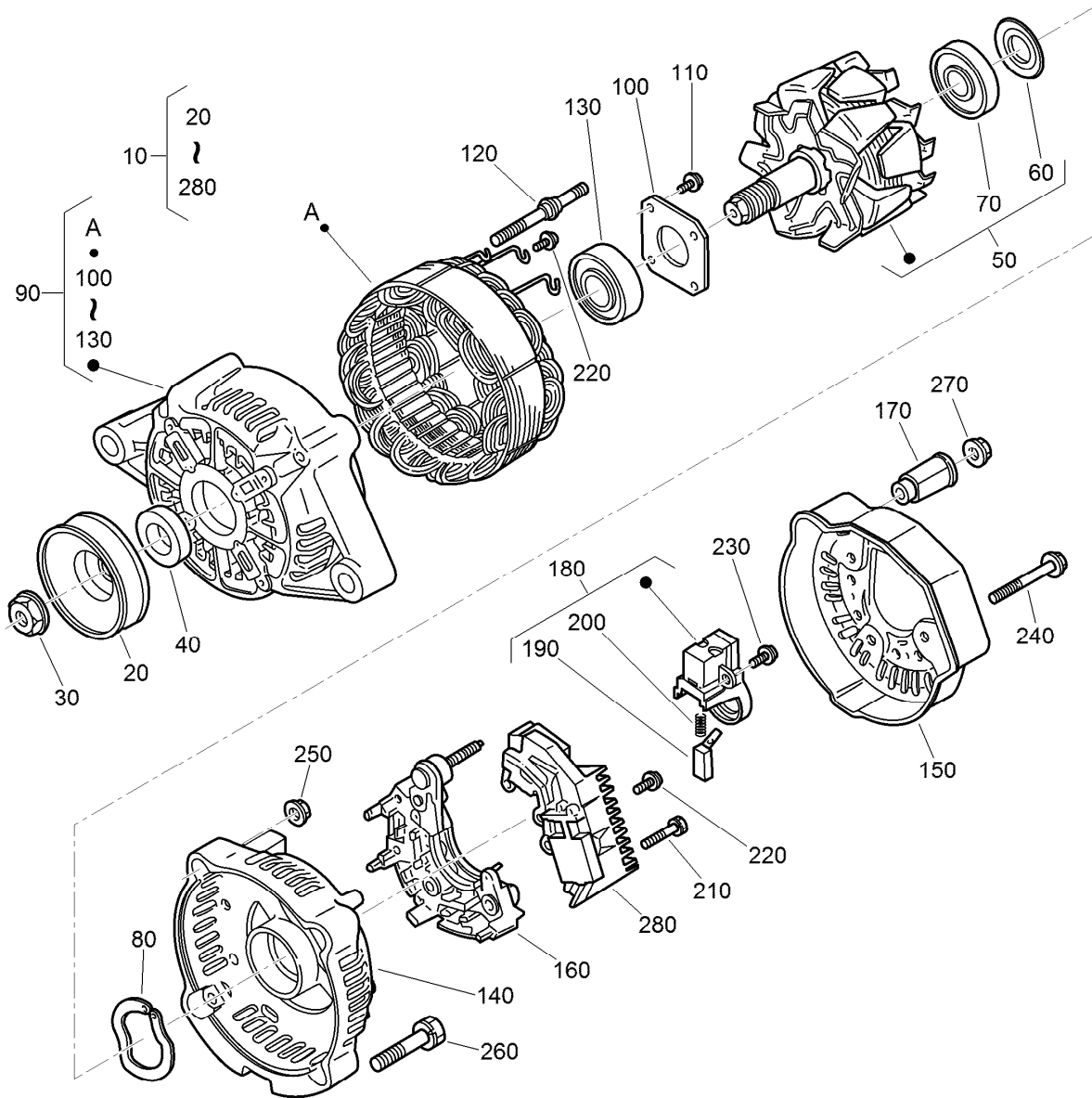
Nozzle Holder Assembly

Ref.	Part Number	Qty.	Description	Ref.	Part Number	Qty.	Description
10	115-3018	3	Nozzle Holder Kit	110	99-8311	3	Washer-Adjust (0.20Mm)
20	121-2411	3	Nut	110	99-8312	3	Washer-Adjust (0.30Mm)
30	99-8302	3	Washer-Adjusting	110	99-8313	3	Washer-Adjust (0.40Mm)
40	99-8303	3	Spring-Nozzle	110	99-8314	3	Washer-Adjust (0.50Mm)
50	99-8304	3	Spacer-Distance	110	99-8315	3	Washer-Adjust (0.52Mm)
60	99-8305	3	Rod-Push	110	99-8316	3	Washer-Adjust (0.54Mm)
70	99-8306	3	Nut-Nozzle	110	99-8317	3	Washer-Adjust (0.56Mm)
80	99-8307	3	Washer-Plain	110	99-8318	3	Washer-Adjust (0.58Mm)
90	115-3020	3	Piece-Nozzle	110	99-8319	3	Washer-Adjust (0.80Mm)
100	99-8309	3	Adjusting Washer ASM	120	98-7676	3	Gasket
110	99-8310	3	Washer-Adjust (0.10Mm)	130	98-7677	3	Seal-Heat



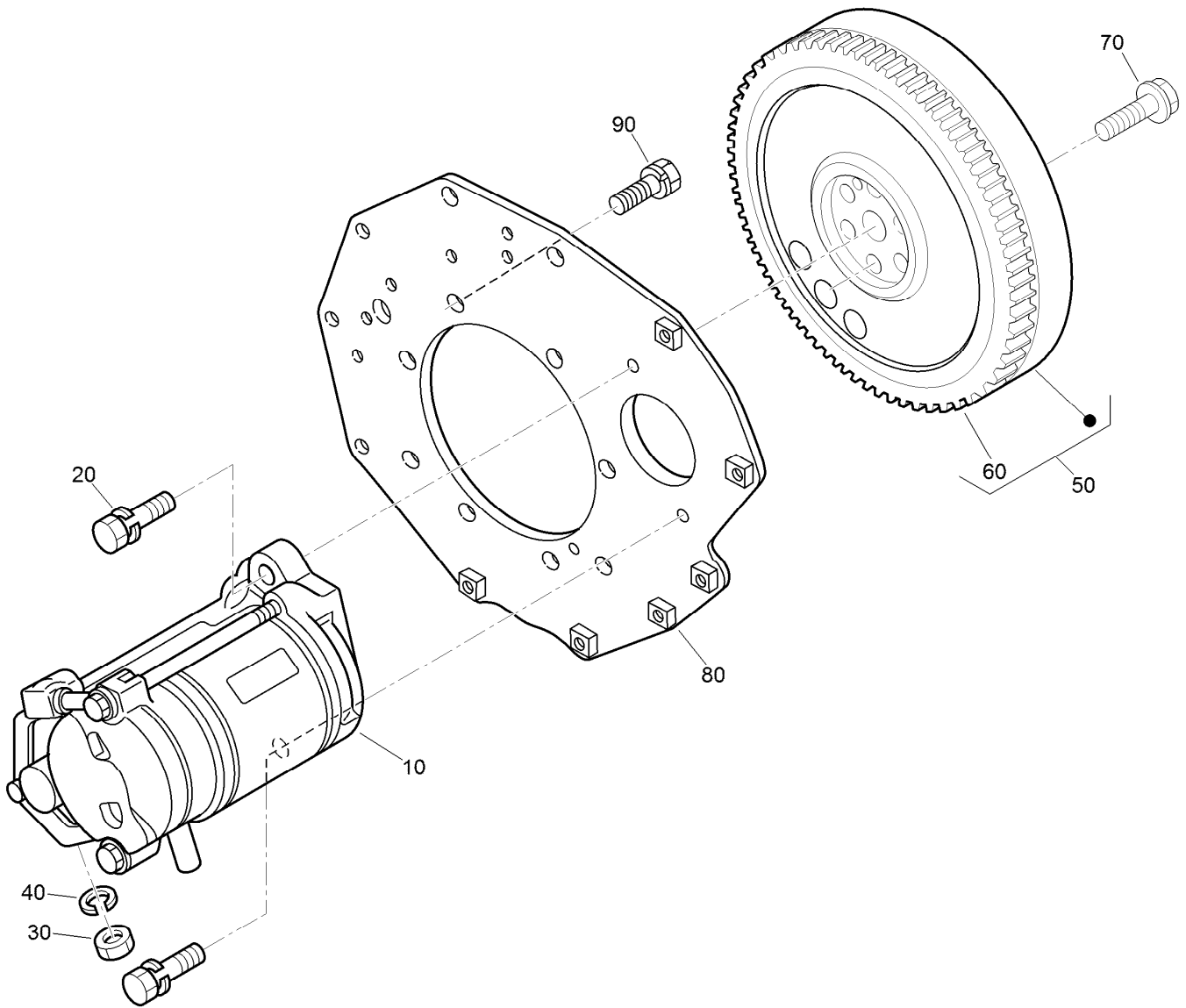
Alternator, Pulley and Fan Assembly

Ref.	Part Number	Qty.	Description
10	98-9474	1	Alternator ASM
20	112-7047	1	Stay-Dynamo
30	108-7088	1	Bolt
40	98-9360	1	Bolt
50	98-7737	1	Nut
60	98-9366	1	Washer-Plain
70	98-7738	1	Washer-Spring
90	98-7692	1	Bolt
100	99-3456	1	Pulley-Drive, Fan
110	98-9585	1	Bolt
120	130-1241	1	V Belt
130	99-3461	1	Fan
140	99-8363	4	Bolt-Flange
150	99-3453	1	Pulley-Fan



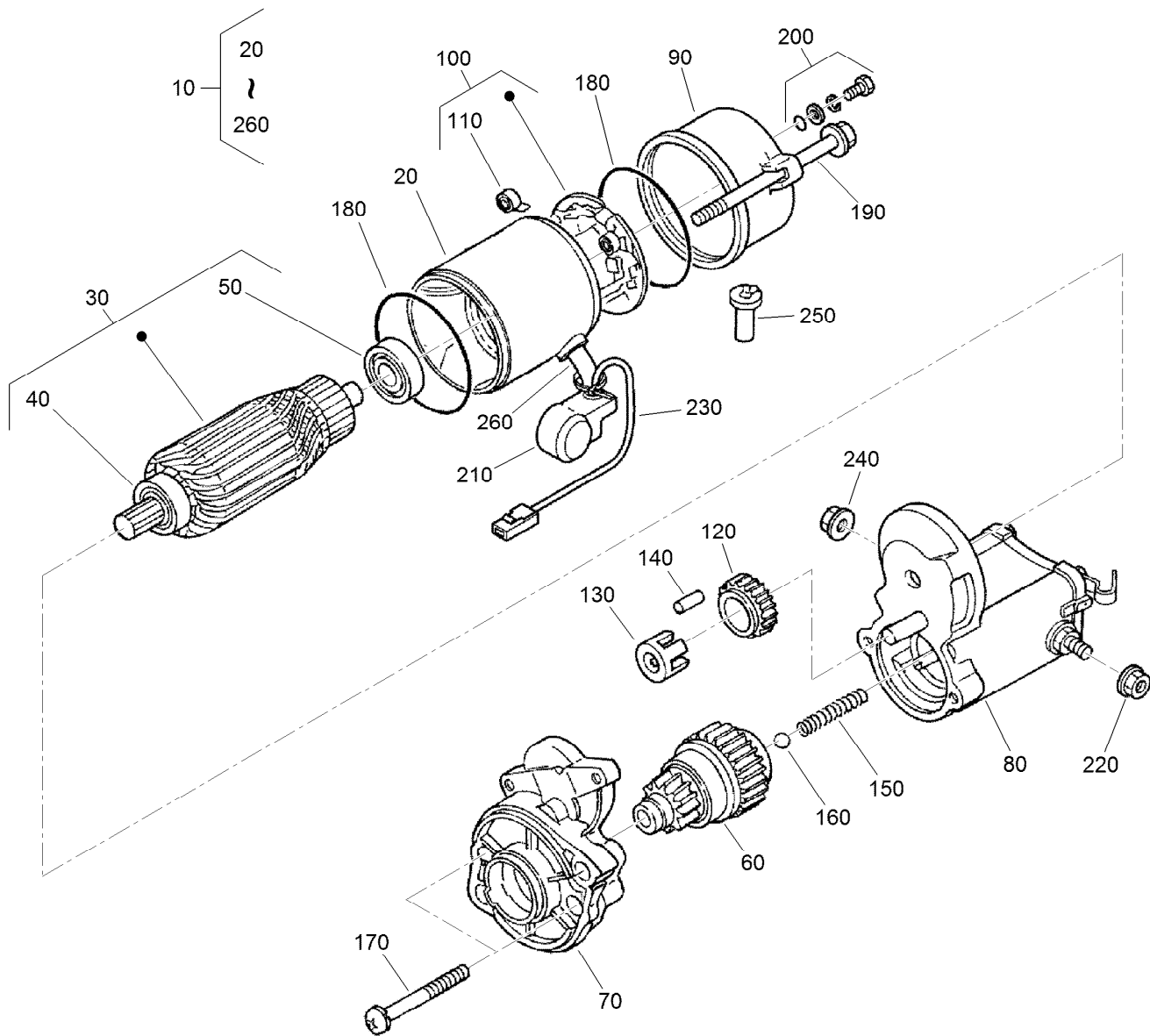
Alternator Components Assembly

Ref.	Part Number	Qty.	Description	Ref.	Part Number	Qty.	Description
10	98-9474	1	Alternator ASM	150	107-0140	1	Cover-End
20	98-9453	1	Pulley-Dynamo	160	127-1612	1	Rectifier ASM
30	98-7708	1	Nut	170	98-7722	1	Bushing-Insulation
40	98-7709	1	Collar	180	107-0141	1	Brush Holder ASM
50	107-0136	1	Rotor ASM	190	98-7724	2	Brush
60	98-7711	1	Cover-Bearing	200	98-7725	2	Spring-Brush
70	107-0138	1	Bearing-Ball	210	98-7726	2	Screw-Head, Round
80	98-7713	1	Washer-Thrust	220	98-7727	6	Screw-Head, Round
90	107-0139	1	Drive End Frame ASM	230	98-7728	1	Screw-Head, Round
100	98-7715	1	Plate-Retainer	240	98-7729	3	Bolt
110	98-7716	4	Screw-Head, Round	250	98-7730	2	Nut
120	98-7717	2	Bolt-Through	260	98-7731	2	Bolt
130	107-0137	1	Bearing-Ball	270	98-7732	1	Nut
140	107-9087	1	Frame-End	280	110-3799	1	Regulator ASM



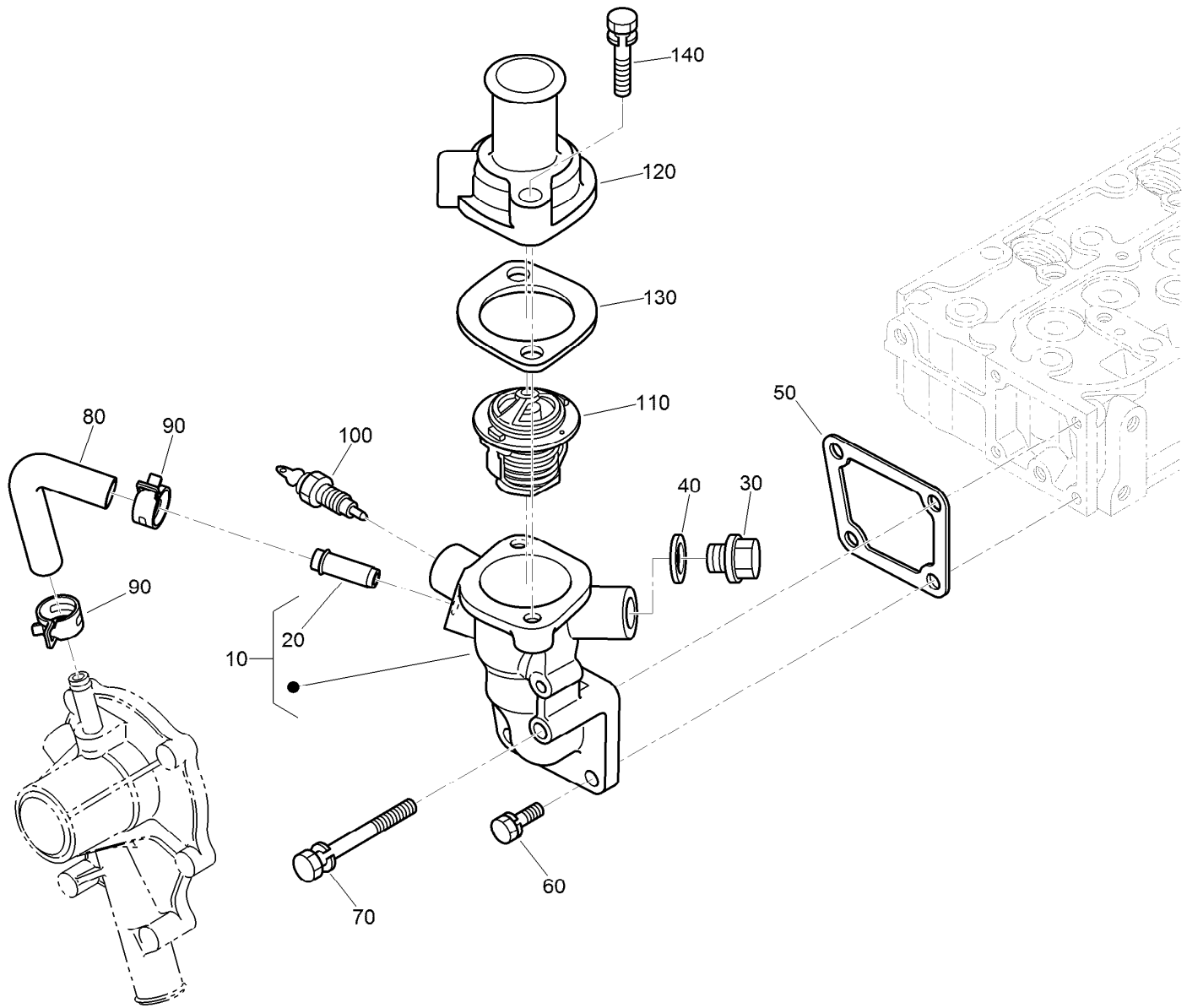
Starter and Flywheel Assembly

Ref.	Part Number	Qty.	Description
10	98-9705	1	Starter ASM
20	98-7697	2	Bolt
30	98-7739	1	Nut
40	105-2893	1	Washer-Spring
50	105-3784	1	Flywheel ASM
60	115-3015	1	Gear-Ring
70	98-9537	6	Bolt-Flywheel
80	98-9486	1	Plate-End, Rear
90	98-9392	8	Bolt



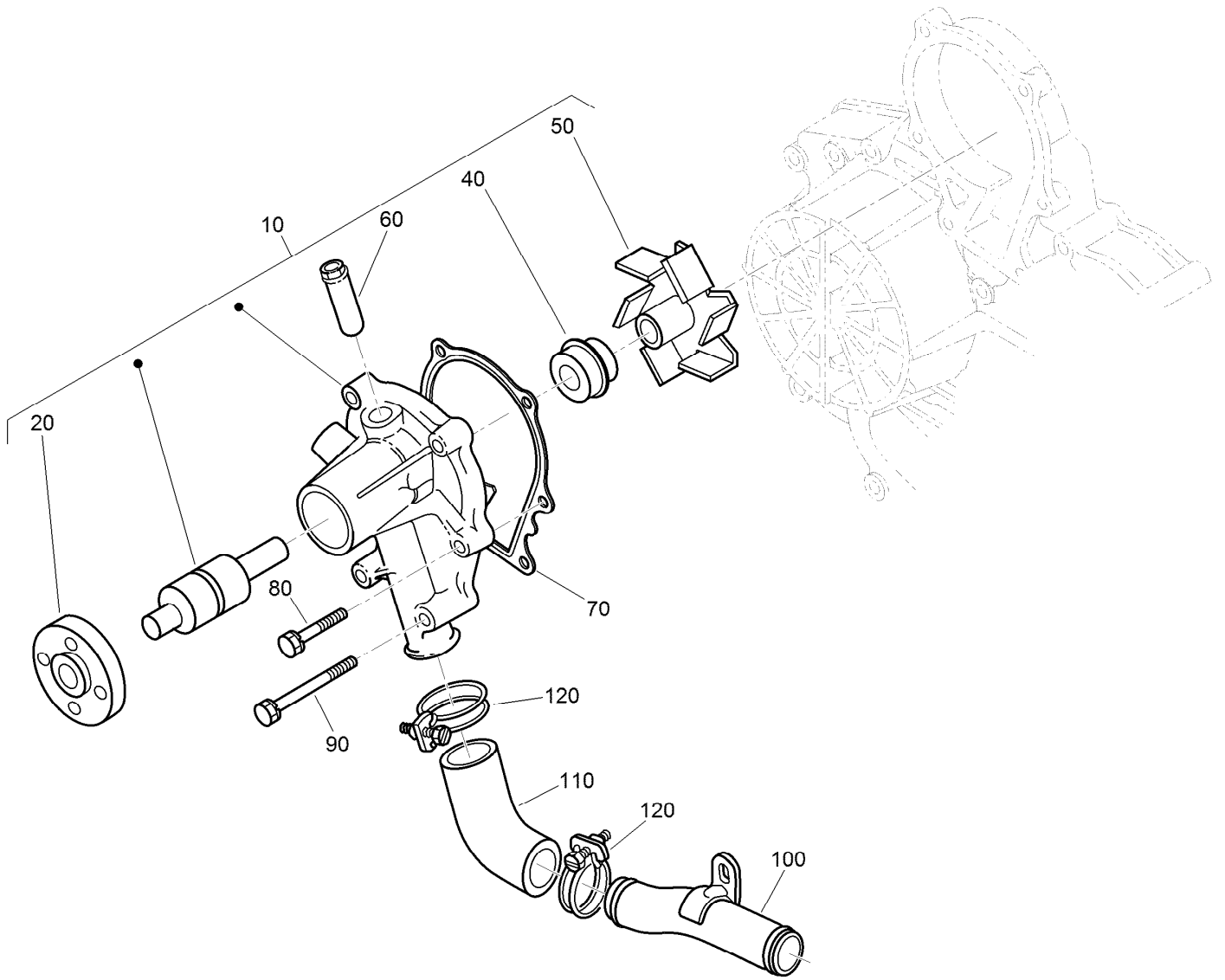
Starter Component Assembly

<i>Ref.</i>	<i>Part Number</i>	<i>Qty.</i>	<i>Description</i>	<i>Ref.</i>	<i>Part Number</i>	<i>Qty.</i>	<i>Description</i>
10	98-9705	1	Starter ASM	140	98-7753	5	Roller
20	104-8608	1	Yoke ASM	150	98-7754	1	Spring
30	98-7742	1	Armature ASM	160	98-7755	1	Ball
40	98-7744	1	Bearing	170	98-7756	2	Bolt
50	98-7743	1	Bearing	180	98-7757	2	O-Ring
60	99-8373	1	Clutch-Running, Over	190	100-9240	2	Bolt
70	99-8374	1	Frame-End, Drive	200	98-7758	2	Bolt ASM
80	105-3746	1	Magnetic Switch ASM	210	99-8375	1	Cover
90	98-7748	1	Frame-End	220	99-8371	1	Nut-Hex
100	98-7749	1	Brush Holder ASM	230	98-9711	1	Cord-Solenoid, Stop
110	98-7750	4	Spring-Brush	240	99-8376	1	Nut-Hex
120	98-7751	1	Gear	250	98-7759	1	Pipe-Drain
130	98-7752	1	Retainer	260	98-9712	1	Band-Cover



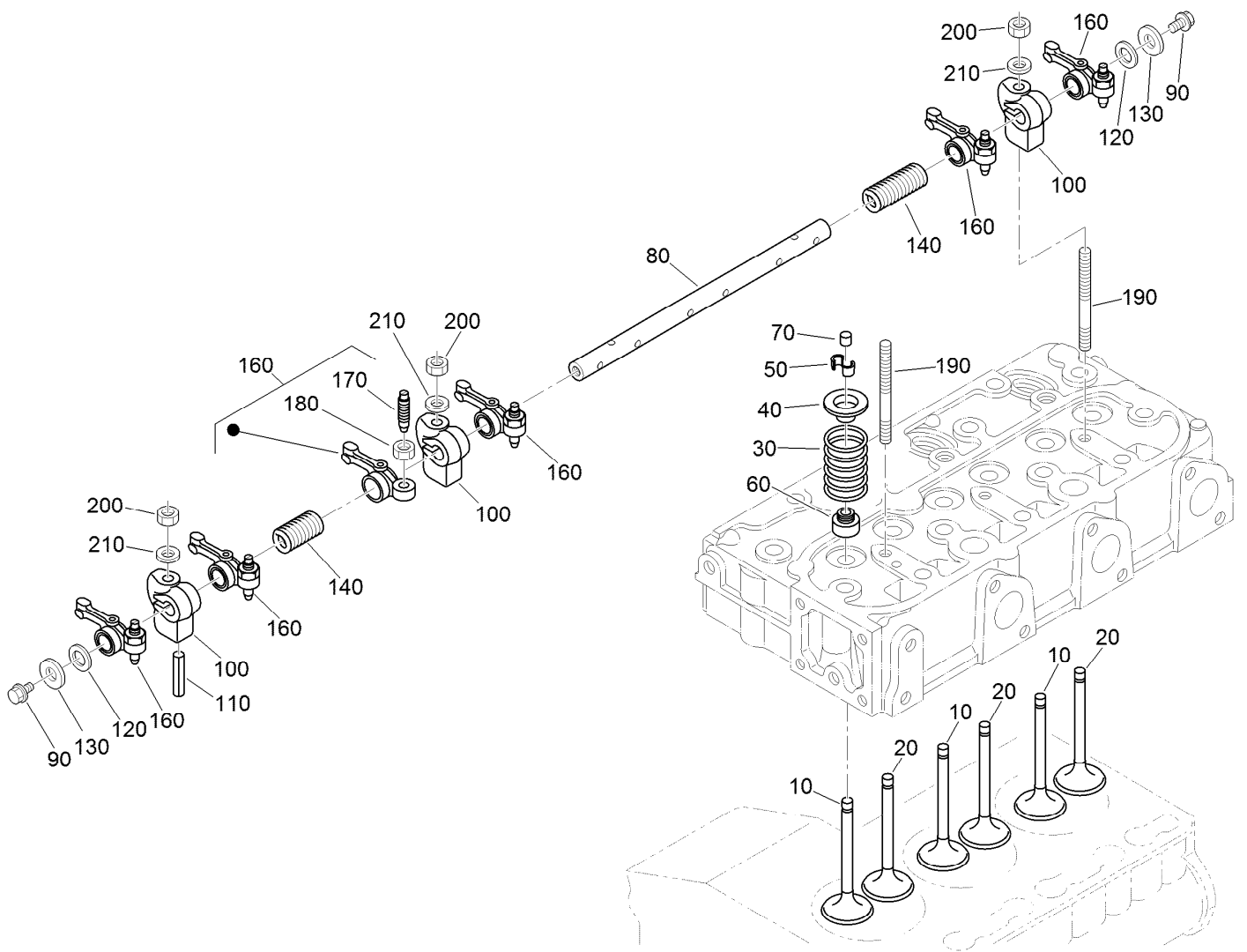
Water Flange and Thermostat Assembly

<i>Ref.</i>	<i>Part Number</i>	<i>Qty.</i>	<i>Description</i>
10	98-9713	1	Water Flange ASM
20	98-9580	1	Pipe-Return, Water
30	105-3747	1	Plug
40	99-3583	1	Gasket
50	98-9638	1	Gasket-Flange, Water
60	98-7692	3	Bolt
70	98-9356	1	Bolt
80	98-9578	1	Pipe-Return, Water
90	125-9078	2	Clamp-Hose
100	98-9719	1	Thermoswitch
110	98-7778	1	Thermostat ASM
120	98-9471	1	Cover-Thermostat
130	105-3748	1	Gasket-Thermostat
140	98-7777	2	Bolt



Water Pump and Water Pipe Assembly

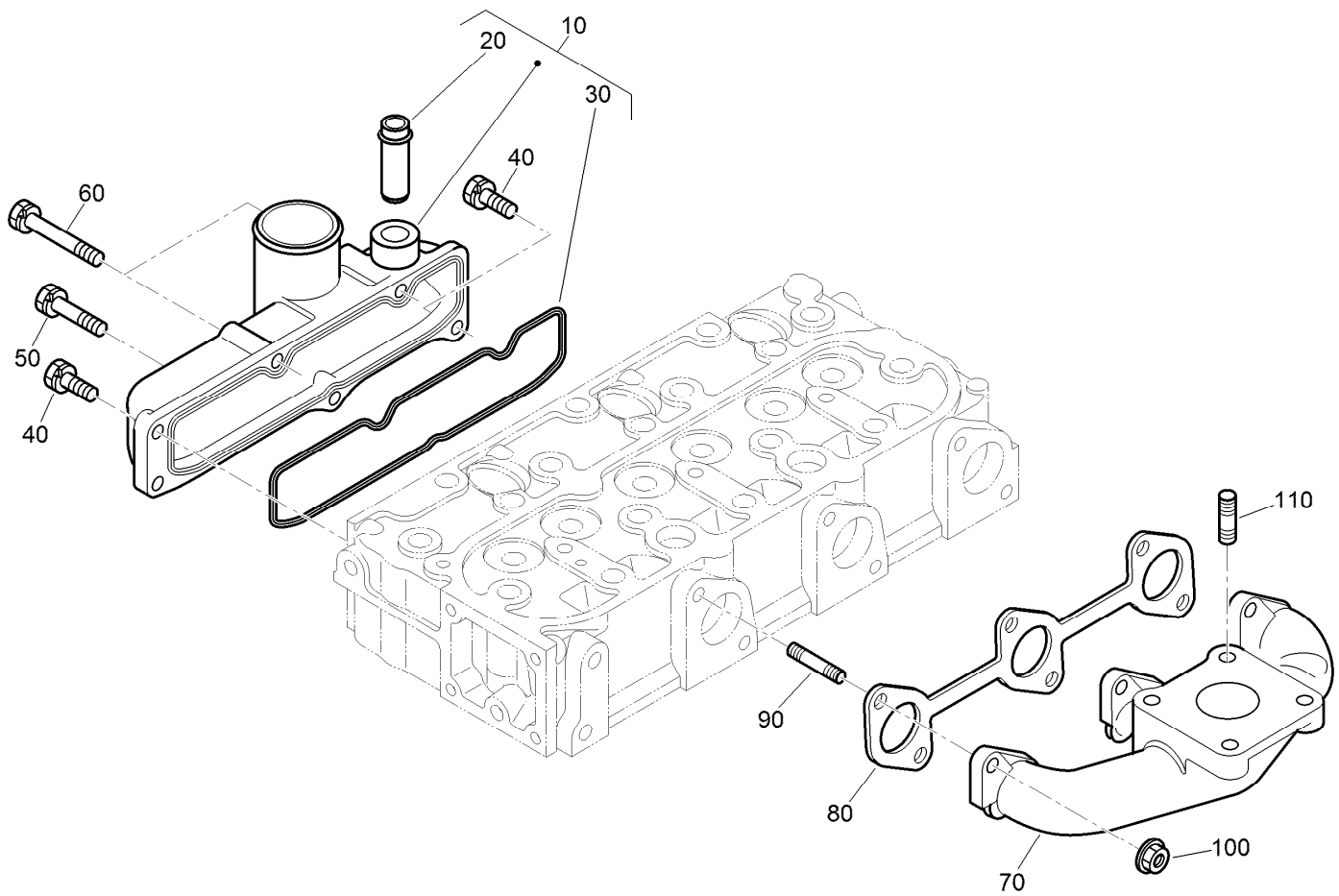
<i>Ref.</i>	<i>Part Number</i>	<i>Qty.</i>	<i>Description</i>
10	107-9089	1	Water Pump ASM
20	99-3516	1	Flange-Pump, Water
40	105-3750	1	Mechanical Seal ASM
50	112-7017	1	Impeller-Pump, Water
60	100-1932	1	Pipe-Return, Water
70	99-3454	1	Gasket-Pump, Water
80	98-9353	4	Bolt
90	98-9357	2	Bolt
100	98-9716	1	Pipe-Water
110	107-9091	1	Pipe-Water
120	127-0439	2	Clamp-Hose



Valve and Rocker Arm Assembly

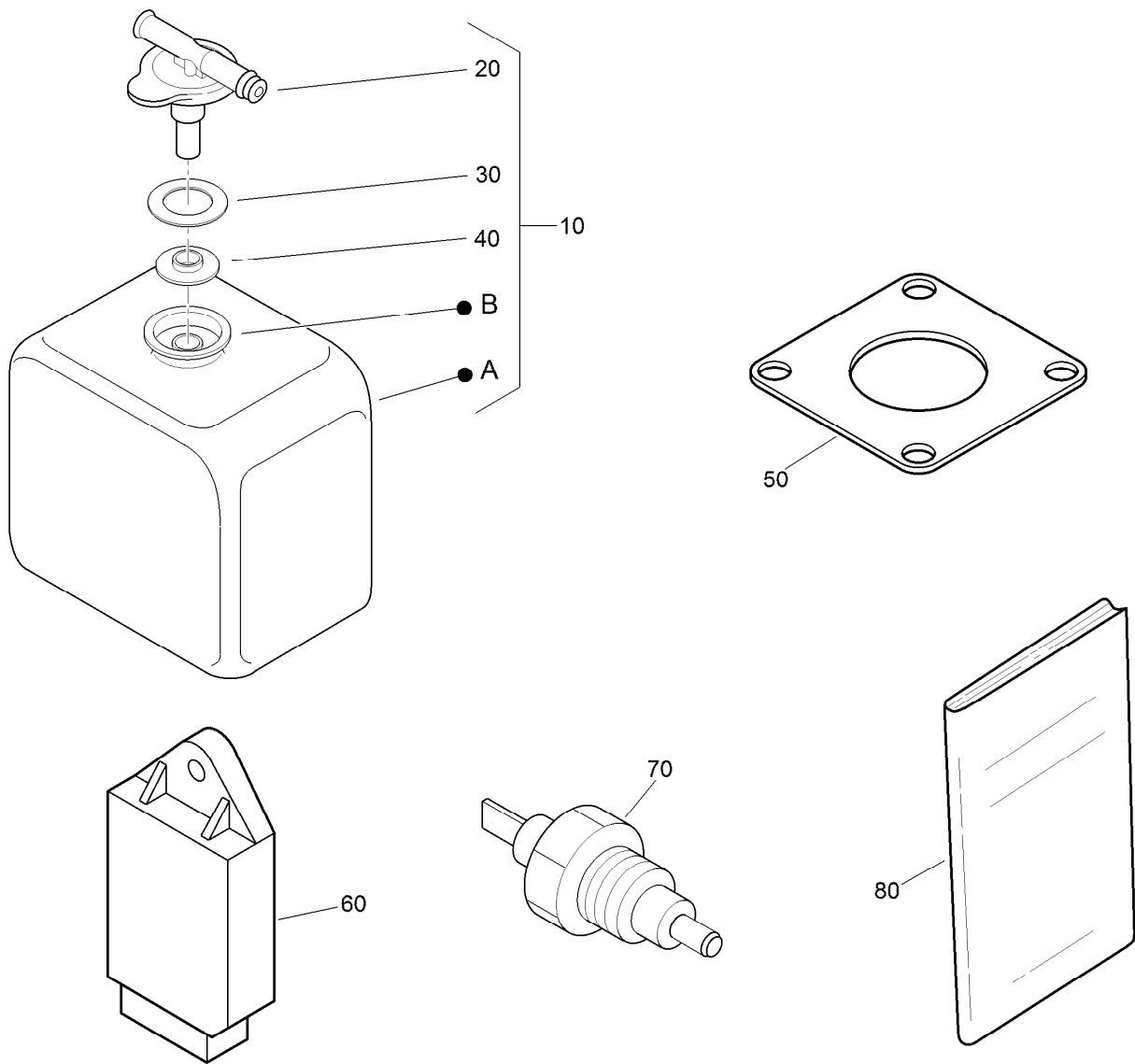
Ref.	Part Number	Qty.	Description
10	112-7018	3	Valve-Inlet
20	120-2564	3	Valve-Exhaust
30	98-9648	6	Spring-Valve
40	107-9092	6	Retainer-Spring
50	117-7572	6	Collet-Spring, Valve
60	99-8385	6	Seal-Stem, Valve
70	98-9497	6	Cap-Valve
80	130-1248	1	Shaft-Arm, Rocker
90	99-8363	2	Bolt-Flange
100	98-9505	3	Bracket-Arm, Rocker

Ref.	Part Number	Qty.	Description
110	105-3758	1	Pin-Spring
120	98-9507	2	Washer-Shaft, Rocker Arm
130	110-3832	2	Washer-Plain
140	98-9504	2	Spring-Arm, Rocker
160	112-7020	6	Rocker Arm ASM
170	98-9502	6	Screw-Adjusting
180	98-9503	6	Nut
190	98-9506	3	Stud
200	98-9393	3	Nut
210	98-9385	3	Washer-Flat



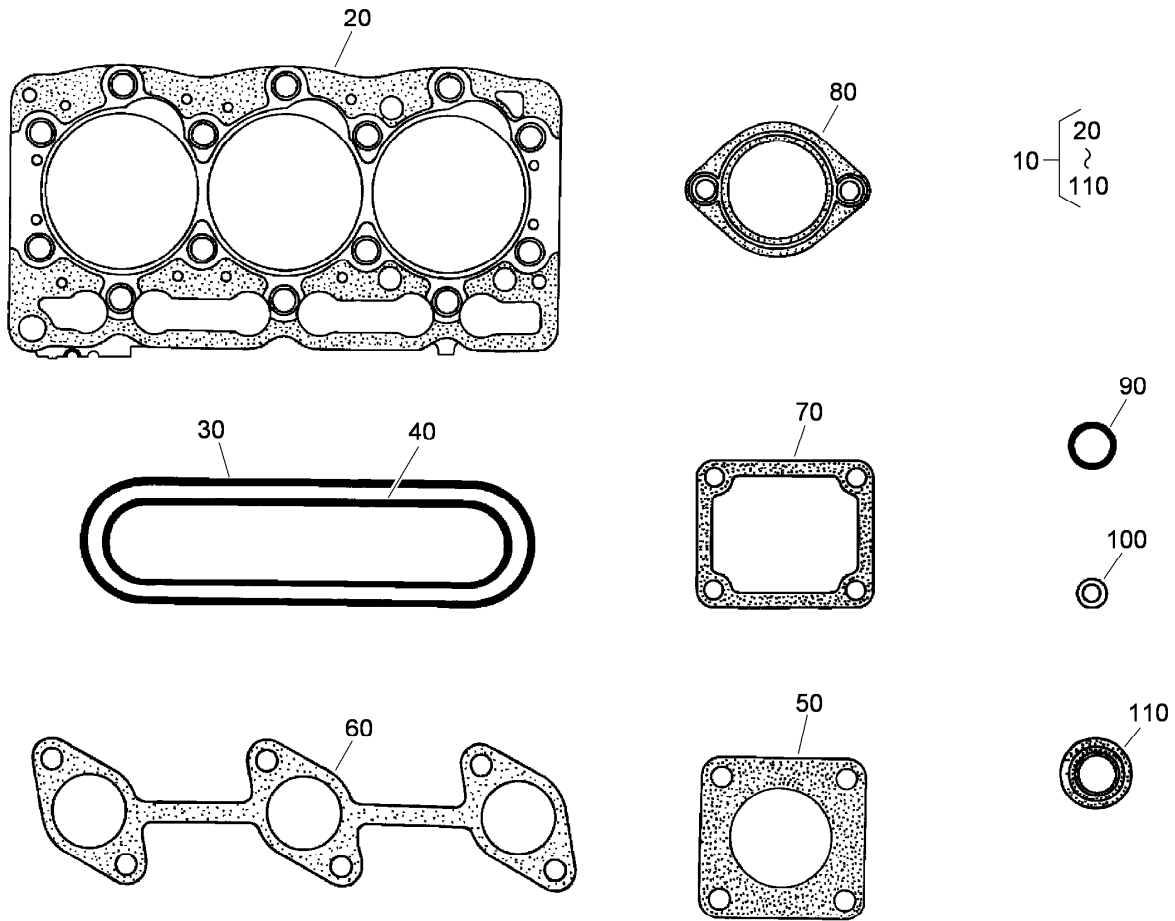
Inlet and Exhaust Manifold Assembly

<i>Ref.</i>	<i>Part Number</i>	<i>Qty.</i>	<i>Description</i>
10	107-7843	1	Manifold Inlet ASM
20	98-9492	1	Joint-Pipe, Breather
30	98-9609	1	Gasket-Manifold, Inlet
40	127-0403	3	Bolt-Flange
50	98-9353	1	Bolt
60	125-9063	2	Bolt-Sems
70	107-9093	1	Manifold-Exhaust
80	99-8327	1	Gasket-Manifold, Exhaust
90	98-9588	6	Stud
100	98-9665	6	Nut
110	98-7769	4	Stud



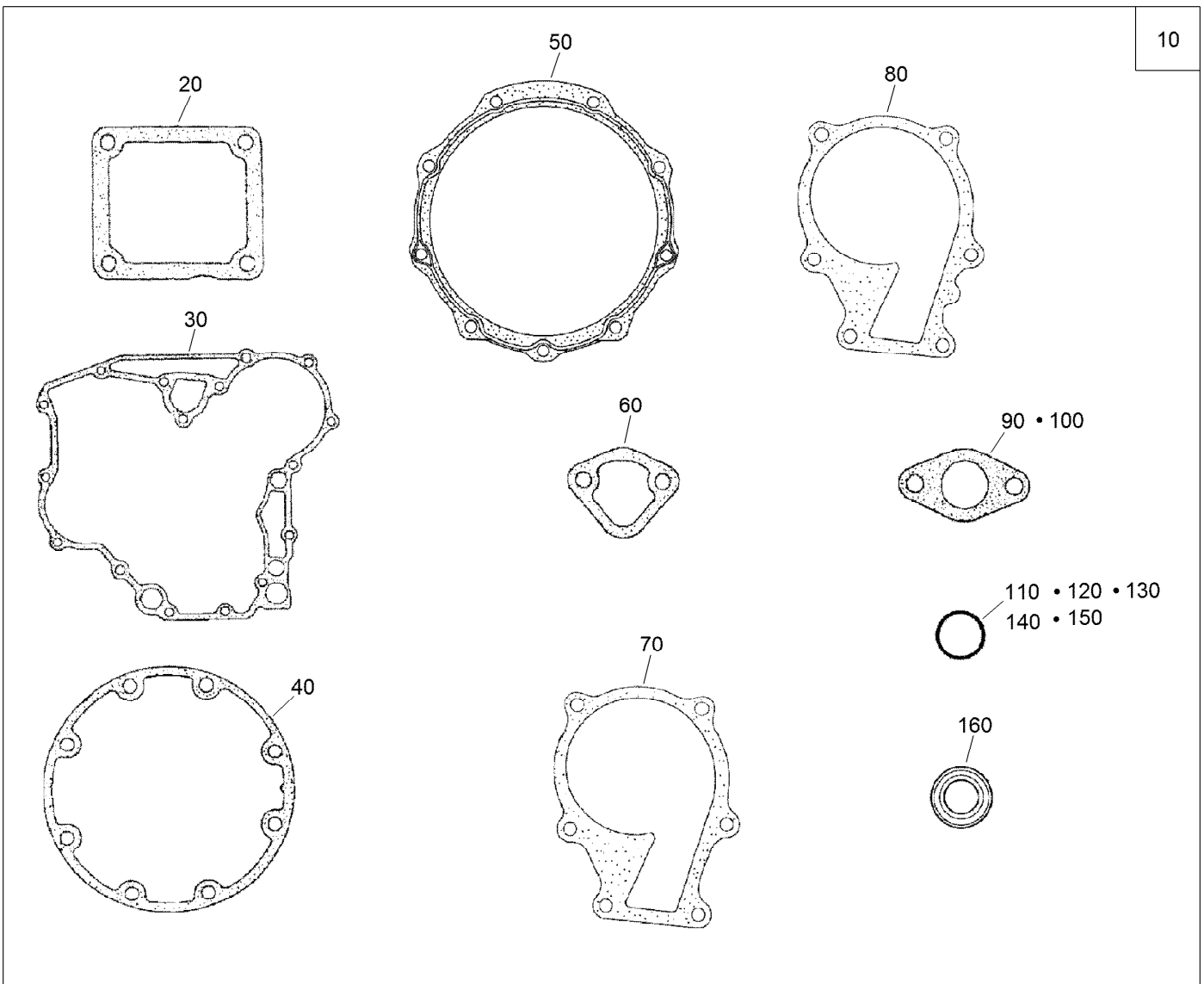
Miscellaneous Engine Parts

<i>Ref.</i>	<i>Part Number</i>	<i>Qty.</i>	<i>Description</i>
10	104-9318	1	Bottle-Overflow
20	115-4132	1	Cap
30	105-3755	1	Gasket
40	105-3756	1	Plate
50	99-8343	1	Gasket-Muffler
60	98-7611	1	Controller-Glow
70	106-7772	1	Thermoswitch
80	130-1543	1	Manual-Operator



Upper Gasket Kit

<i>Ref.</i>	<i>Part Number</i>	<i>Qty.</i>	<i>Description</i>
10	107-7848	1	Upper Gasket Kit
20	108-6573	1	Gasket-Head, Cylinder
30	98-9615	1	Gasket-Cover, Head
40	98-9609	1	Gasket-Manifold, Inlet
50	99-8343	1	Gasket-Muffler
60	99-8327	1	Gasket-Manifold, Exhaust
70	98-9638	1	Gasket-Flange, Water
80	105-3748	1	Gasket-Thermostat
90	99-3446	2	O-Ring
100	98-9454	3	Gasket
110	99-8385	6	Seal-Stem, Valve



Lower Engine Gasket Kit

<i>Ref.</i>	<i>Part Number</i>	<i>Qty.</i>	<i>Description</i>	<i>Ref.</i>	<i>Part Number</i>	<i>Qty.</i>	<i>Description</i>
10	130-1364	1	Lower Gasket Kit	90	98-9682	1	Gasket
20	98-9637	1	Gasket	100	98-9683	1	Gasket-Cover, Solenoid
30	98-9633	1	Gasket-Case, Gear	110	105-3781	2	O-Ring
40	127-0440	1	Gasket-Case, Bearing	120	105-3777	2	O-Ring
50	112-7037	1	Gasket-Cover, Case	130	105-3783	1	O-Ring
60	117-7562	1	Gasket-Pump, Fuel	140	105-3776	1	O-Ring
70	98-9632	1	Gasket-Pump, Water	150	105-3788	1	O-Ring
80	99-3454	1	Gasket-Pump, Water	160	98-7601	1	Seal-Oil

Attachments and Accessories

For 03171 Reelmaster 3100-D Traction Unit With Sidewinder

Product Name	Model/Part
27in Lift Arm Kit	03172
32in Lift Arm Kit	03173
5-Blade 27in DPA Cutting Unit	03180
8-Blade 27in DPA Cutting Unit	03181
8-blade 32in DPA Cutting Unit	03182
11-blade 27in DPA Cutting Unit.....	03183
27in Verticutter.....	03184
Gauge Bar Assembly.....	108-6715
Premium Seat Kit.....	30629
Arm Rest Kit.....	30707
Work Light Kit	30841



Count on it.